

11' x 13' MERIDIAN GAZEBO

with ALUMINUM ROOF

Installation and Operating Instructions – YM11912

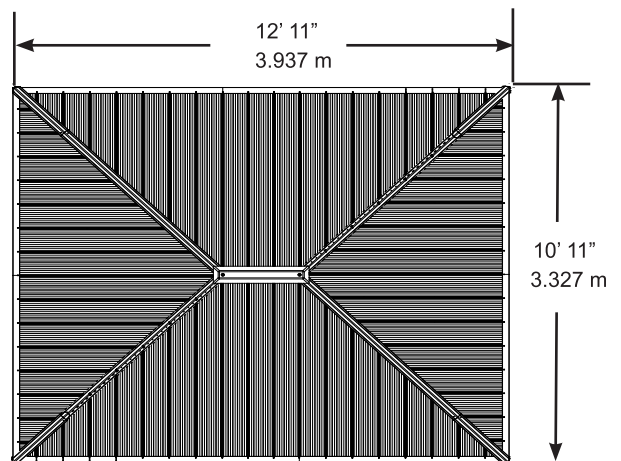


IMPORTANT, RETAIN FOR FUTURE REFERENCE: READ CAREFULLY

Revised 10-22-2019

**YARDISTRY**[®]

Yardistry – North America
Toll Free Customer Support:
1.888.509.4382
info@yardistrystructures.com
www.yardistrystructures.com



HEIGHT:
9'8" / 2.946 m

Important Safety Notice!

Yardistry components are intended for privacy, decorative and ornamental use only.

Product is NOT INTENDED for the following:

- A safety barrier to prevent unsupervised access to pools, hot tubs, spas or ponds.
- As load bearing support for a building, structure, heavy objects or swings.
- Used in structures that trap wind, rain or snow that would create extra load on the product.

Accumulated snow must be removed from roof.

DO NOT climb or walk on roof for any reason.

Permanent structures may require a building permit. As the purchaser and or installer of this product you are advised to consult local planning, zoning and building inspection departments for guidance on applicable building codes and/or zoning requirements.

Wood is NOT flame retardant and will burn. Grills, fire pits and chimineas are a fire hazard if placed too close to a Yardistry structure. Consult user's manual of the grill, fire pit or chimenea for safe distances from combustible materials.

Wear gloves to avoid injury from possible sharp edges of individual elements before assembly.

During installation, follow all safety warnings provided with your tools and use OSHA approved safety glasses. Some structures may require two or more people to install safely.

Check for underground utilities before digging or driving stakes into the ground!

It is important during assembly to closely follow the instructions, complete the assembly on a solid level surface and that you follow the instruction to square up, level and anchor the structure, this will reduce the gap at wood connections during assembly.

General Information

General Information: Wood components are manufactured with Cedar (C. Lanceolata) which is protected with factory applied water-based stain. Knots, small checks (cracks) and weathering are naturally occurring and do not affect the strength of the product. Annual application of a water-based water repellent sealant or stain is important and will help reduce weathering and checks.

www.yardistrystructures.com

Questions?

Call toll free or write us at:

1 (888) 509-4382

info@yardistrystructures.com

Patents Pending

Limited Warranty

Yardistry warrants that this product is free from defect in materials and workmanship for a period of one (1) year from the original date of purchase. In addition, for any product with lumber, all lumber is warranted for five (5) years against rot and decay. This warranty applies to the original owner and registrant and is non-transferable.

Regular maintenance is required to assure the integrity of your product and is a requirement of the warranty. This warranty does not cover any inspection costs.

This Limited Warranty does not cover:

- Labour for replacement of any defective item(s);
- Incidental or consequential damages;
- Cosmetic defects which do not affect performance or integrity;
- Vandalism; improper use or installation; acts of nature, including but not limited to wind, storms, hail, floods, excessive water exposure;
- Minor twisting, warping, checking or any other natural occurring properties of wood that do not affect performance or integrity.

Yardistry products have been designed for safety and quality. Any modifications made to the original product could damage the structural integrity of the product leading to failure and possible injury. Yardistry cannot assume any responsibility for modified products. Furthermore, modification voids any and all warranties.

This product is warranted for RESIDENTIAL USE ONLY. Yardistry disclaims all other representations and warranties of any kind, express or implied.

This Warranty gives you specific legal rights. You may have other rights as well which vary from state to state or province to province. This warranty excludes all consequential damages, however, some states/provinces do not allow the limitation or exclusion of consequential damages, and therefore this limitation may not apply to you.

Instructions for Proper Maintenance

Your Yardistry structure is designed and constructed of quality materials. As with all outdoor products it will weather and wear. To maximize the enjoyment, safety and life of your structure it is important that you, the owner, properly maintain it.

HARDWARE:

- Check metal parts for rust. If found, sand and repaint using a non-lead paint complying with 16 CFR 1303.
- Inspect and tighten all hardware after completion of assembly; after first month of use; and then annually. Do not over-tighten as to cause crushing and splintering of wood.
- Check for sharp edges or protruding screw threads, add washers if required.

WOOD PARTS:

- Applying a water repellent or stain (water-based) on a yearly basis is important maintenance to maintain maximum life and performance of the product.
- Check all wood members for deterioration, structural damage and splintering. Sand down splinters and replace deteriorated wood members. As with all wood, some checking and small cracks in grain is normal
- Some gapping may occur at some wood connections.

Assembly Guides

Tools Required:

- | | | |
|------------------------------|------------------|---------------------------|
| • Tape Measure | • 8' Step Ladder | • 6' Step Ladder x 2 |
| • Carpenters Level | • Safety Glasses | • Square |
| • Standard or Cordless Drill | • Adult Helper | • Ratchet |
| • Claw Hammer | • Safety Gloves | • 7/16, 1/2 & 9/16 Socket |
| • 7/16" & 9/16" Wrench | • Hard Hat | |

Symbols:

Throughout these instructions symbols are provided in the top, right-hand corner of the page.



- Use Help, where this is shown, 2, 3 or 4 people are required to safely complete this step. To avoid injury or damage to the assembly make sure to get some help.



- Use a measuring tape to assure proper location



- Pre-drill a pilot hole before fastening screw or lag to prevent splitting of wood.

If you dispose of your Yardistry structure: Please disassemble and dispose of your unit so that it does not create any unreasonable hazards at the time it is discarded. Be sure to follow your local waste ordinances.

Assembly Tips

Following are some helpful tips to make the assembly process smooth and efficient.

PRE-ASSEMBLIES:

(i.e. Post and Beam Assemblies, Roof Rafter Assembly, etc)

- Work on a raised, solid and flat surface such as, a table or saw horse.
- Keep all connections flush where shown in the instructions.
- When assembling the beams keep parts flat, straight and snug when connecting.

METAL PARTS:

- Roofing material may have sharp edges, wear safety gloves.
- Remove all plastic covering, on both sides of the metal panels, directly before installing each piece.
- Place roofing material on a non-abrasive surface before and after assembly as it can bend, dent and scratch easily.
- The roofing screws can easily crush the roof panels and roof edges when using a power drill. We recommend hand tightening the roofing screws so they sit snug and tight to the roofing material.

Permanent Installation Examples

Note: It is critically important you start with square, solid and level footings, concrete pad or deck to attach your Pergola Room.

We supply Post Mounts with this structure which gives you the flexibility to permanently install your structure to a pre-existing or new wood or concrete surface.

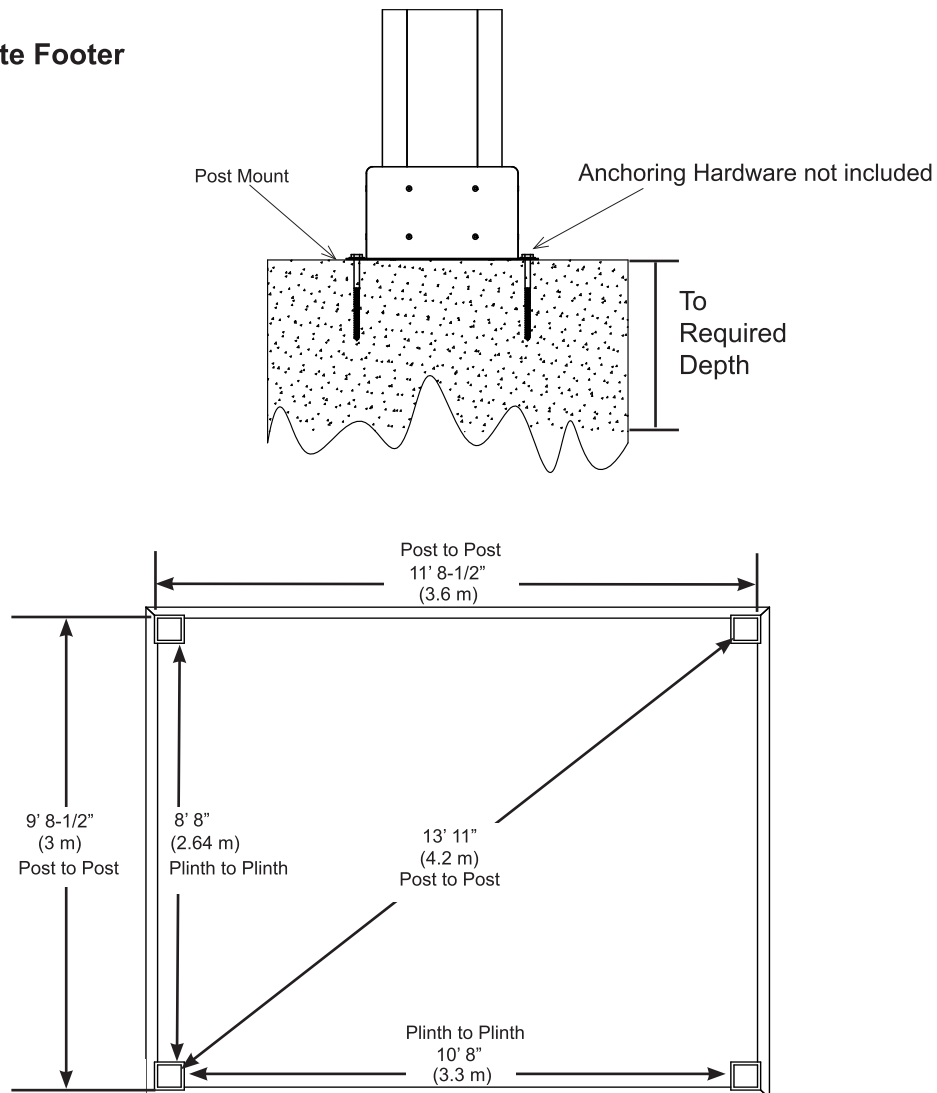
- The hardware to attach the Post Mount to the structure is included.
- The hardware to mount the structure permanently will need to be purchased separately at your local hardware store.

If you are mounting to concrete footers see below for the correct locations and placement. Please double check for possibility of any underground utilities such as gas, telephone, cable or sprinkler lines.

Following are some examples of how to mount the structure to wood or concrete surfaces.

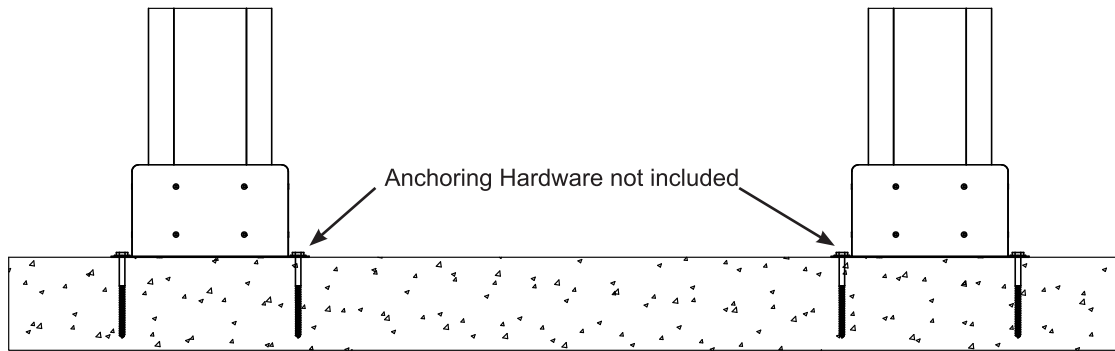
Refer to your local building and city codes, ordinances, neighbourhood covenants, or height restrictions regarding this type of structure for guidance on acceptable installation requirements.

Concrete Footer

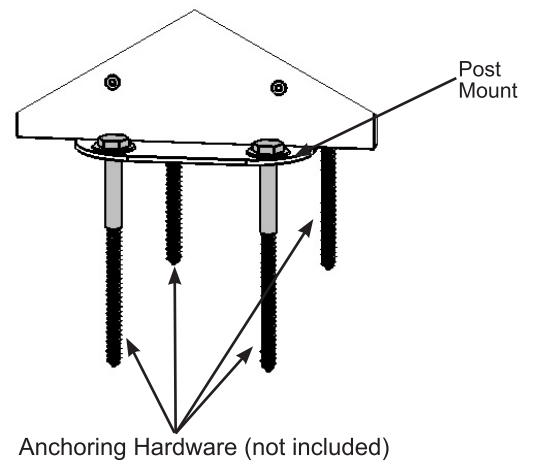
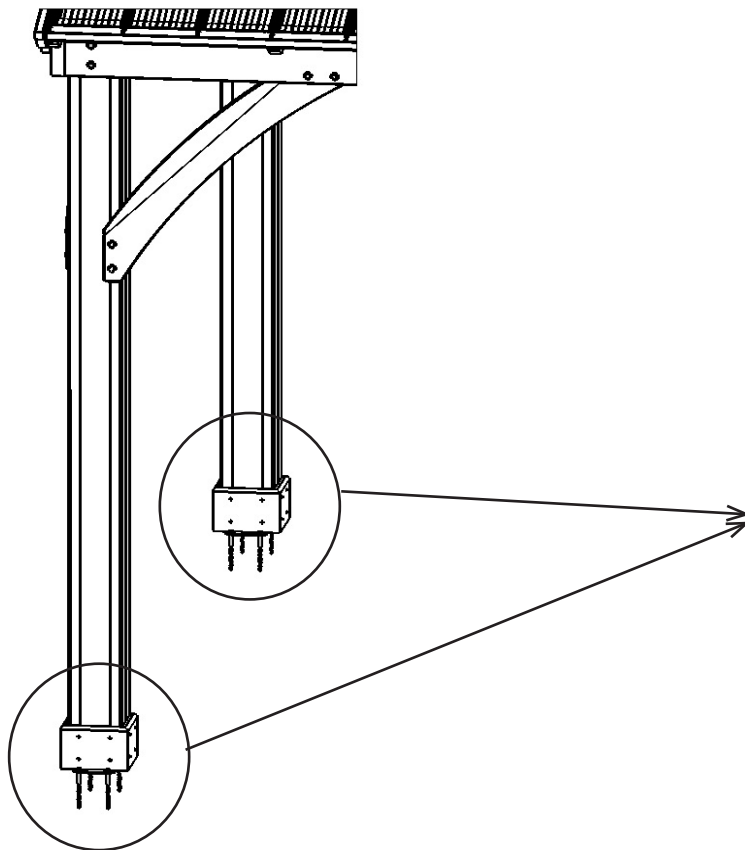


Permanent Installation Examples cont.

Concrete Patio [min. 12' 8-1/2" x 10' 8-1/2" (3.9 m x 3.3 m)] with 6" (15.24 cm) clearance on all sides



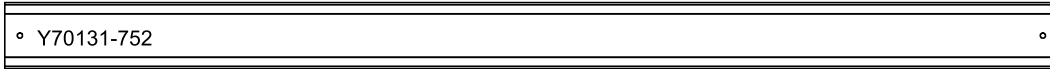
Wood Deck [min. 12' 8-1/2" x 10' 8-1/2" (3.9 m x 3.3 m)] with 6" (15.24 cm) clearance on all sides



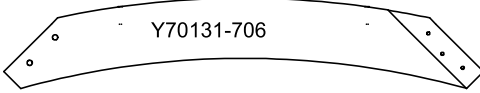
Post Mounts have a 1/2" diameter hole for anchoring hardware.

Part Identification (Dimensions are approximate and are shown to assist in the identification of parts for assembly. Actual dimensions may be smaller or larger.)

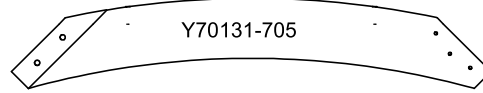
4pc. (752) - Post 2235.2mm (88")



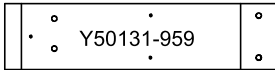
4pc. (706) - Gusset LT 1015mm (39-15/16")



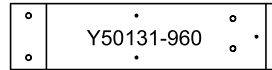
4pc. (705) - Gusset RT 1015mm (39-15/16")



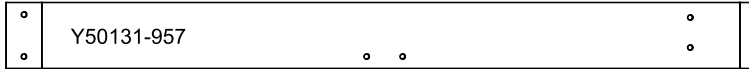
2pc. (959) - Short Beam End LT 575.4mm (22-5/8")



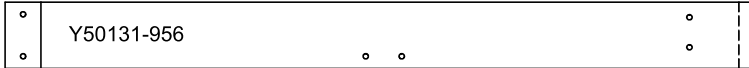
2pc. (960) - Short Beam End RT 575.4mm (22-5/8")



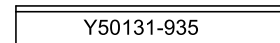
2pc. (957) - Beam Short RT 1588.2mm (62-1/2")



2pc. (956) - Beam Short LT 1588.2mm (62-1/2")



2pc. (935) - Rafter Top 581mm (22-7/8")



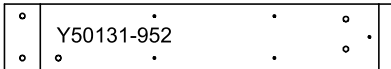
2pc. (958) - Short Beam Centre 2032mm (80")



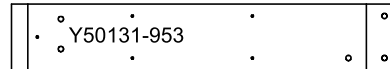
2pc. (951) - Long Beam Centre 2137mm (84-1/8")



2pc. (952) - Long Beam End RT 827.7mm (32-1/2")



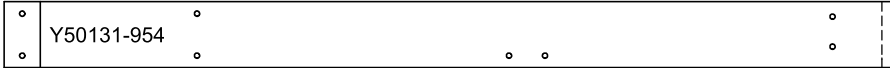
2pc. (953) - Long Beam End LT 827.7mm (32-1/2")



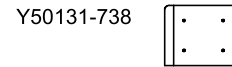
2pc. (955) - Beam Long LT 1893mm (74-1/2")



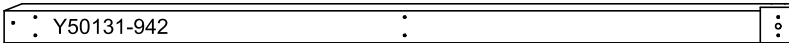
2pc. (954) - Beam Long RT 1893mm (74-1/2")



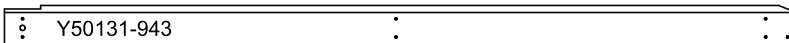
16pc. (738) - Plinth 177.8mm (7")



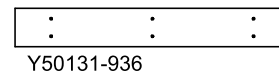
2pc. (942) - Fascia LT 1676mm (66")



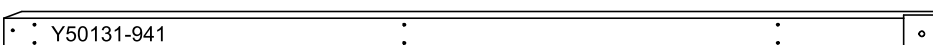
2pc. (943) - Fascia RT 1676mm (66")



1pc. (936) - Spacer 581mm (22-7/8")



2pc. (941) - Fascia Long LT 1981mm (78")

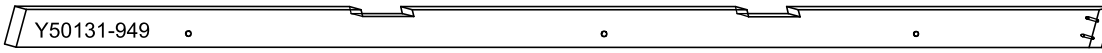


2pc. (940) - Fascia Long RT 1981mm (78")

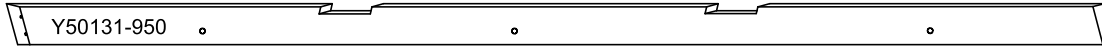


Hardware Identification (Dimensions are approximate and are shown to assist in the identification of parts for assembly. Actual dimensions may be smaller or larger.)

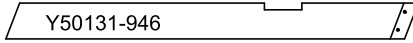
4pc. (949) - Rafter Corner Left 2345.6mm (92 3/8")



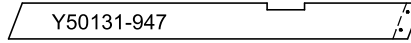
4pc. (950) - Rafter Corner Right 2345.6mm (92 3/8")



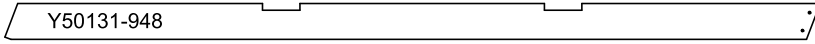
4pc. (946) - Short Rafter RT 873mm (34 3/8")



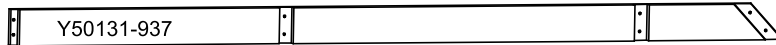
4pc. (947) - Short Rafter LT 873mm (34 3/8")



6pc. (948) - Rafter 1728mm (68")



2pc. (937) - Strap Long LT 1721.8mm (67-3/4")



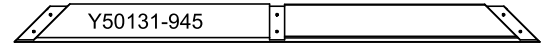
2pc. (938) - Strap Long RT 1112.3mm (43-3/4")



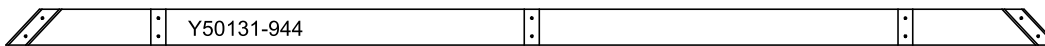
2pc. (939) - Strap Long 1721.9mm (67-3/4")



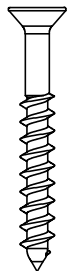
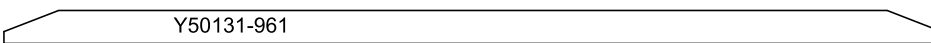
2pc. (945) - Strap Top 1113.1mm (43-13/16")



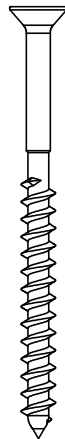
2pc. (944) - Strap Bottom 2226.2mm (87-5/8")



2pc. (961) - Tie 1985mm (78-1/8")



172pc. Wood Screw #8 x 1-1/2
(Y06091-512)



40pc. Pan Screw #8 x 1"
(Y06491-510)



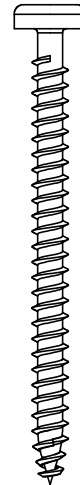
66pc. Wood Screw #8 x 2 1/4"
(Y06091-521)



68pc. Wood Screw #8 x 2-1/2"
(Y06091-522)



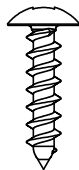
1pc. - Hex Driver
(Y00400-004)



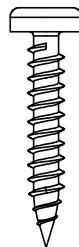
4pc. Pan Screw #10 x 2-1/2"
(Y06491-722)



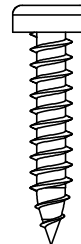
64pc. Wood Screw #7 x 3/4"
(Y06091-003)



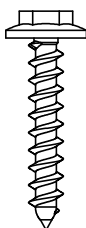
24pc. Sheet Metal Screw #8 x 3/4"
(Y06436-503)



42pc. Pan Screw #12 x 1-1/4"
(Y06491-611)



1pc. #2 x 2" Robertson Driver
(Y00400-005)



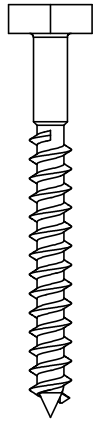
208pc. Hex Roofing Screw #8x 1"
(Y06736-510)



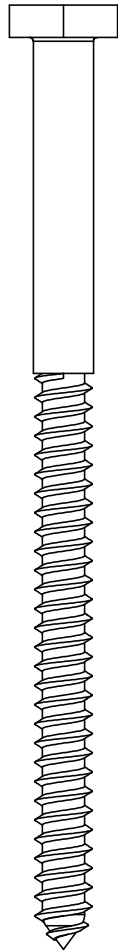
1pc. - 1/8" Drill Bit
(Y00400-002)



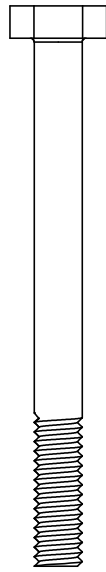
Hardware Identification (Dimensions are approximate and are shown to assist in the identification of parts for assembly. Actual dimensions may be smaller or larger.)



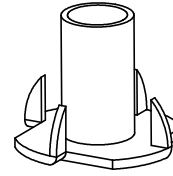
24pc. Lag Screw 1/4" x 1-15/16"
No.12 Shank
(Y06218-219)



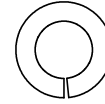
8pc. Lag Screw
5/16 x 4-3/4"
(Y06218-343)



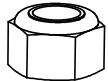
12pc. Hex Bolt
1/4 x 2-3/4"
(Y07718-223)



56pc. 5/16" - T-Nut
(Y08518-300)



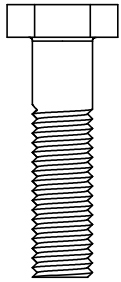
56pc. 5/16" Lock Washer
(Y05318-300)



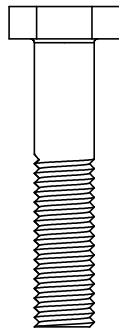
8pc. - 3/8" Lock Nut
(Y08318-803)



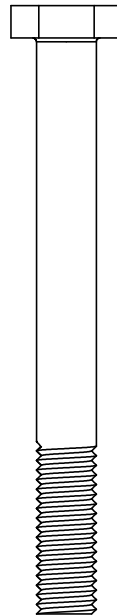
12pc. - 1/4" Lock Nut
(Y08318-203)



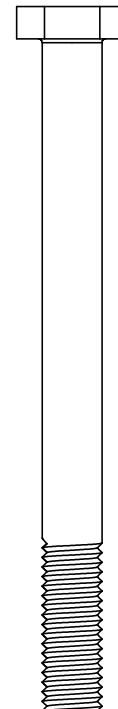
8pc. Hex Bolt
5/16 x 1-1/4"
(Y07718-311)



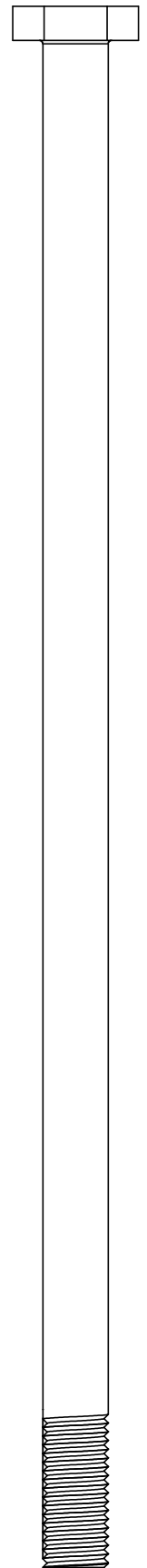
24pc. Hex Bolt
5/16 x 1-1/2"
(Y07718-312)



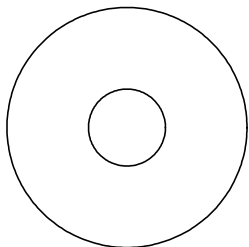
8pc. Hex Bolt
5/16 x 3"
(Y07718-330)



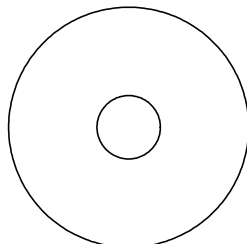
16pc. Hex Bolt
5/16 x 3-1/2"
(Y07718-332)



8pc. Hex Bolt
3/8 x 8-3/4"
(Y07718-883)



16pc. 3/8 x 1-1/4" Large Washer
(Y05118-811)

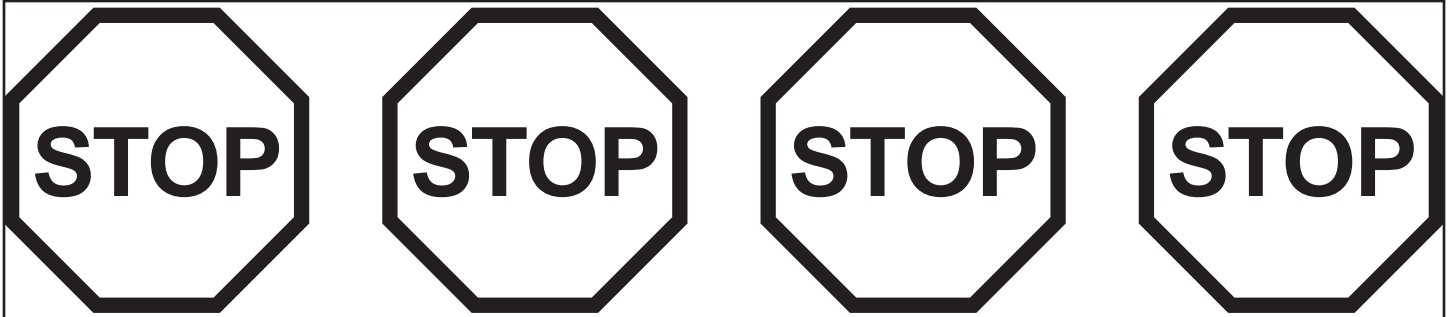


112pc. 1/4-5/16 x 1-1/4" Large Washer
(Y05118-311)

Hardware Identification (Dimensions are approximate and are shown to assist in the identification of parts for assembly. Actual dimensions may be smaller or larger.)

<p>1pc. - Roof Panel Set (Y70836-291)</p>					
<p>4pc. - Long Panel Left (Y01036-295)</p>	<p>4pc. - Short Panel Left (Y01036-294)</p>	<p>4pc. - Short Panel Right (Y01036-293)</p>	<p>4pc. - Long Panel Right (Y01036-292)</p>	<p>2pc. - Middle Panel (Y01036-296)</p>	<p>4pc. Ridge Cap Short 25.2 (Y01036-132)</p>
<p>8pc. Ridge Clip 92 - (Y01036-297)</p>					<p>4pc. Ridge Cap Long 72 (Y01036-298)</p>
<p>2pc. Roof Edge Right 65.6 - (Y01036-300)</p>					
<p>4pc. Roof Edge Left 65.6 - (Y01036-301)</p>					
<p>2pc. Roof Edge Right 89.6 - (Y01036-299)</p>					
<p>2pc. Long Beam Insert - (Y00429-290)</p>					<p>2pc. Peak Post (Y01000-094)</p>
	<p>1pc. Tie Wrap Bracket (4Pk) (Y70829-106)</p>	<p>1pc. - Roof To Beam Bracket Set (14Pk) (Y70829-123)</p>	<p>1pc. Peak Cap Long (Y01036-137)</p>		
<p>1pc. - Weather Seal - Ridge Clip (8Pk) (Y70818-302)</p>		<p>1pc. - Corner Cap Set (4Pk) (Y70836-226)</p>	<p>2pc. Carriage Bolt (Y07428-260)</p>	<p>4pc. Roof Peak Bracket (Y00429-125)</p>	
	<p>1pc. - Gazebo ID Plaque (Y70800-104)</p>	<p>1pc. - Roof To Post Bracket Set (4Pk) (Y70829-070)</p>	<p>2pc. Spring Clip (Y09490-001)</p>	<p>2pc. 1/4" Nut (Y08490-200)</p>	<p>2pc. Peak Loop (Y20018-003)</p>
<p>1pc. - Post Mount Set (8Pk) (Y70819-109)</p>	<p>2pc. - 50mm Hook (Y00418-050)</p>		<p>1pc. - Roof Peak Set (Y70829-125)</p>		
<p>2pc. Contoured Washer (Y05918-211)</p>					

Step 1: Inventory Parts - Read This Before Starting Assembly



- A.** This is the time for you to inventory all your hardware, wood and accessories, referencing the parts identification sheets. This will assist you with your assembly.
- Each step indicates which bolts and/or screws you will need for assembly, as well as any flat washers, lock washers, t-nuts or lock nuts.
- B.** If there are any missing or damaged pieces or you need assistance with assembly please contact the consumer relations department directly. Call us before going back to the store.

1-888-509-4382
support@yardistrystructures.com

- C.** Read the assembly manual completely, paying special attention to ANSI warnings; notes; and safety/maintenance information on pages 1 - 4.
- Follow the instructions in order.
 - This structure is designed to be assembled and installed ideally by four people, DO NOT attempt to install alone.
 - Consider the slope of elevation where you plan to install the structure. Also, check for gas, telephone, other utilities or sprinkler line locations prior to excavating any holes.
- D.** Before you discard your cartons fill out the form below.
- The carton I.D. stamp is located on the end of each carton.
 - Please retain this information for future reference. You will need this information if you contact the Consumer Relations Department.

PRODUCT NUMBER: YM11912

CARTON I.D. STAMP: __ __ __ __ __ __ (Box 1)
CARTON I.D. STAMP: __ __ __ __ __ __ (Box 2)
CARTON I.D. STAMP: __ __ __ __ __ __ (Box 3)

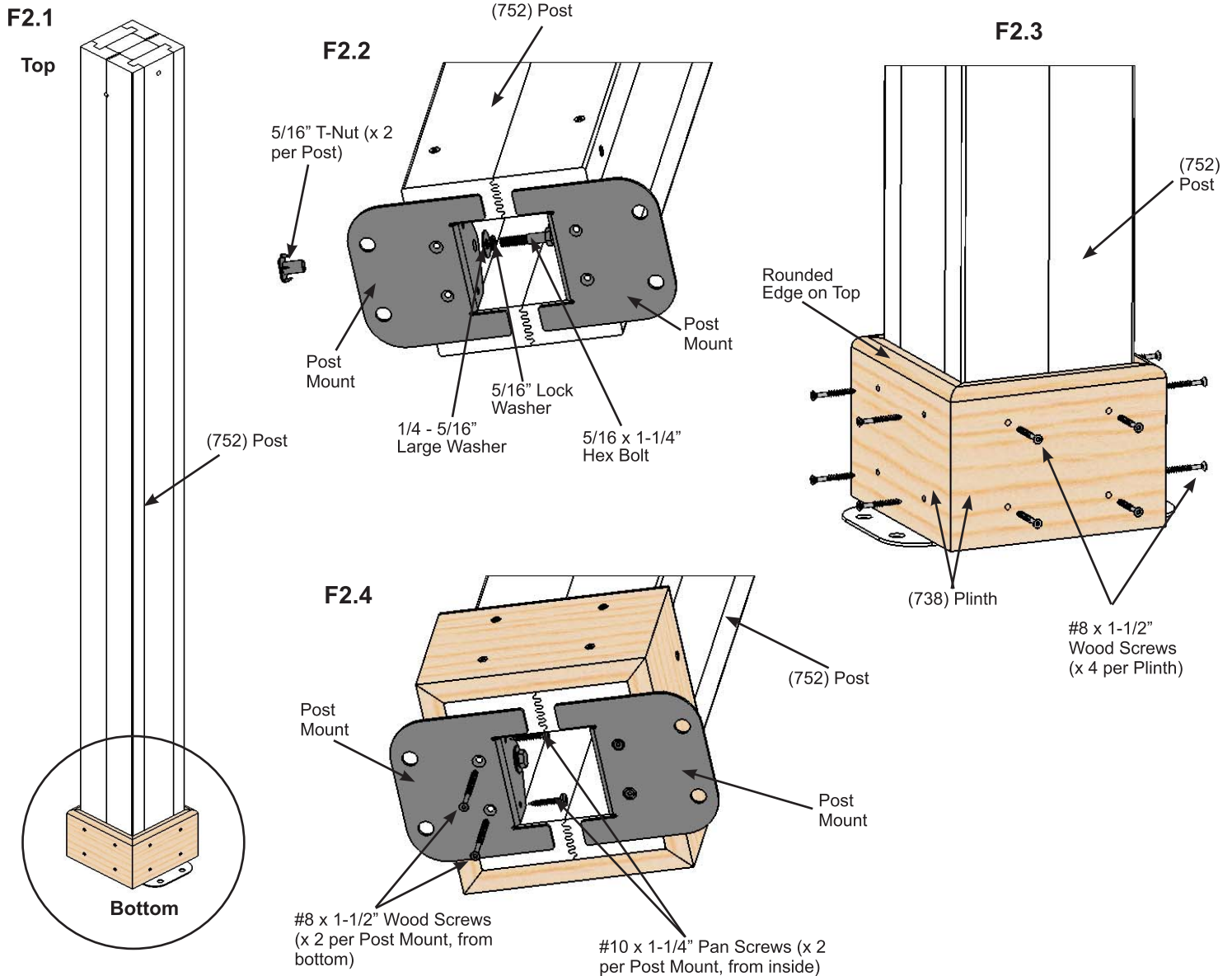
Step 2: Post Assemblies

A: At the bottom of four (752) Posts insert two 5/16" T-Nuts as shown in F2.1 and F2.2.

B: At the bottom of each (752) Post place two Post Mounts tight to the bottom and inside faces as shown in F2.1 and F2.2. Loosely attach with one 5/16 x 1-1/4" Hex Bolt (with 5/16" lock washer and 1/4-5/16" large washer) per mount so they connect to the T-Nuts.

C: On each side of the Posts, place one (738) Plinth flush to the bottom and attach with four #8 x 1-1/2" Wood Screws per plinth. Rounded edges on top. (F2.1 and F2.3)

D: From the bottom of each Post Mount attach to posts with two #8 x 1-1/2" Wood Screws per mount and then from the inside with two #10 x 1-1/4" Pan Screws per mount. These screws are installed at a slight angle. Tighten all bolts. There will be four Post Assemblies. (F2.4)



Wood Parts

4 x (752) Post
16 x (738) Plinth

Hardware

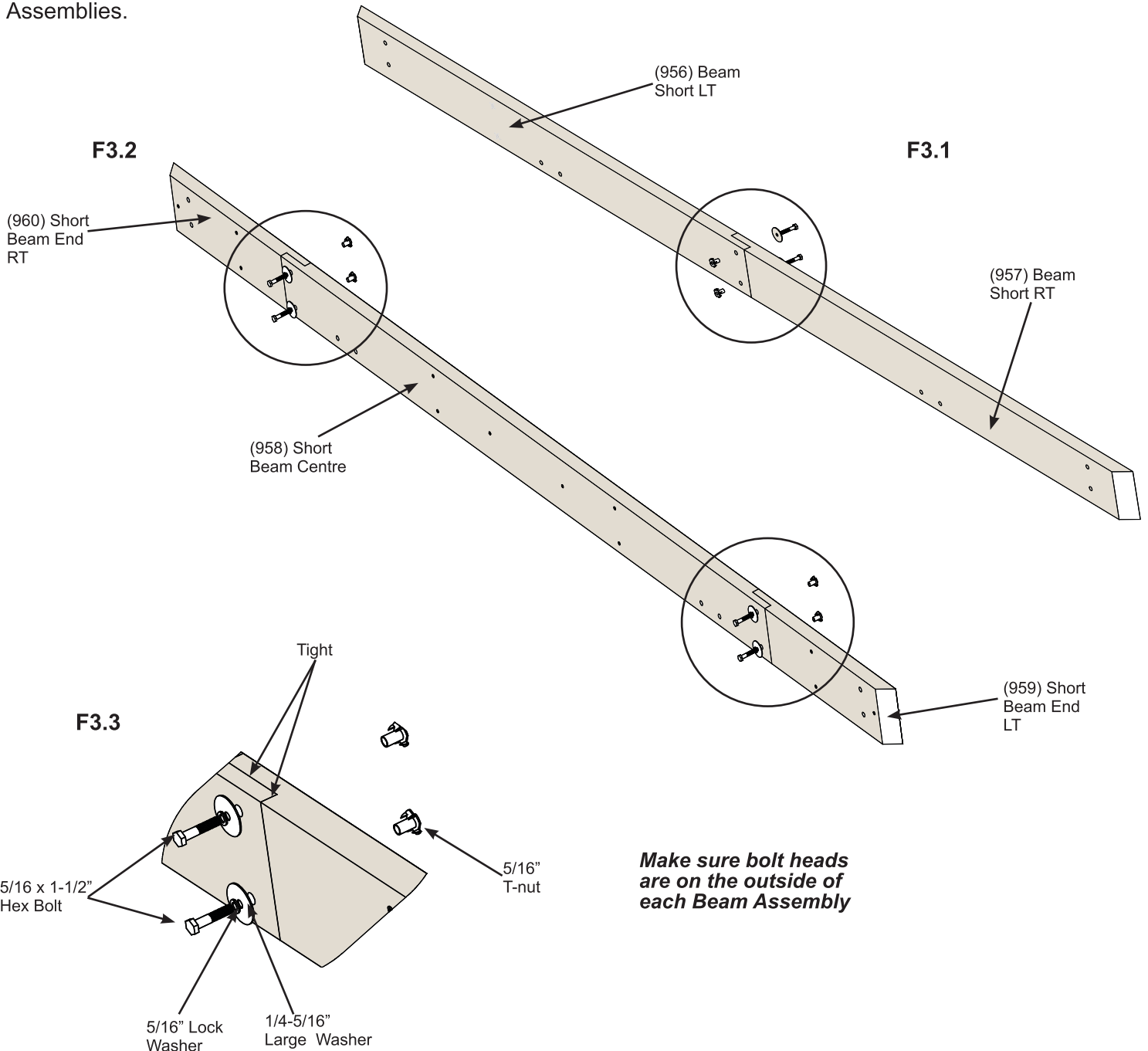
16 x #10 x 1-1/4" Pan Screw
80 x #8 x 1-1/2" Wood Screw
8 x Post Mount
8 x 5/16" T-Nut
8 x 5/16 x 1-1/4" Hex Bolt (with 5/16" lock washer, 1/4-5/16" large washer)

Step 3: Short Beam Assembly Part 1

A: Connect one (956) Beam Short LT and one (957) Beam Short RT using two 5/16 x 1-1/2" Hex Bolts (with 5/16" lock washer, 1/4-5/16" large washer and 5/16" t-nut) as shown in F3.1 and F3.3.

B: Connect one (959) Short Beam End LT and one (960) Short Beam End RT to the ends of one (958) Short Beam Centre using two 5/16 x 1-1/2" Hex Bolts (with 5/16" lock washer, 1/4-5/16" large washer and 5/16" t-nut) per end as shown in F3.2 and F3.3.

C: Repeat Steps A and B one more time to make two Short Beam L-R Assemblies and two Short Beam End Assemblies.



Wood Parts

- 2 x (956) Beam Short LT
- 2 x (957) Beam Short RT
- 2 x (958) Short Beam Centre
- 2 x (959) Short Beam End LT
- 2 x (960) Short Beam End RT

Hardware

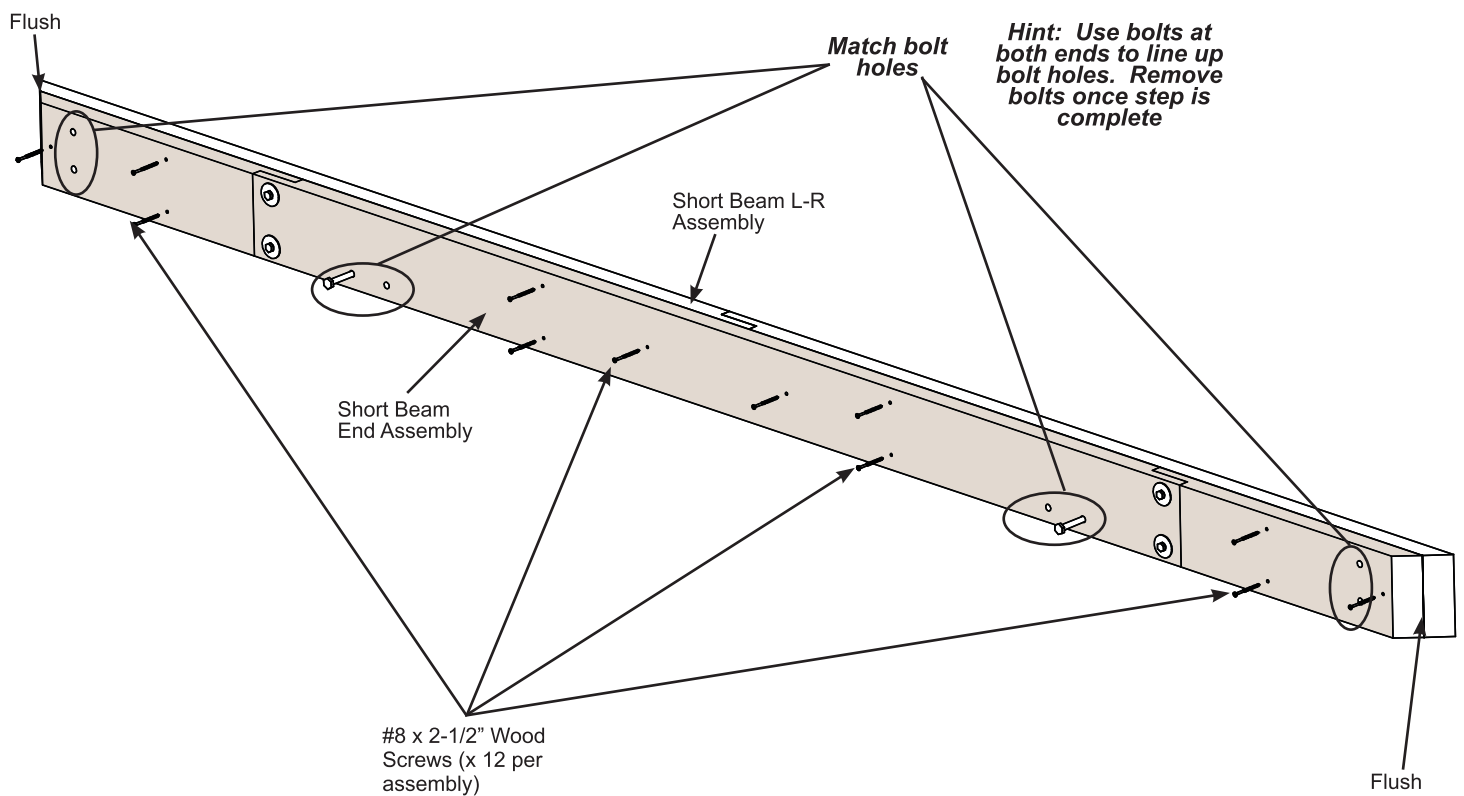
- 12 x 5/16 x 1-1/2" Hex Bolt
(5/16" lock washer, 1/4-5/16" large washer, 5/16" t-nut)

Step 3: Short Beam Assembly Part 2

D: Place one Short Beam L-R Assembly tight to one Short Beam End Assembly so the ends are flush. Match the bolt holes in each assembly. Use bolts at both ends of the assembly to assist in lining up holes. Attach with 12 #8 x 2-1/2" Wood Screws. (F3.4)

E: Repeat Step D one more time to make two Short Beam Assemblies.

F3.4



Hardware

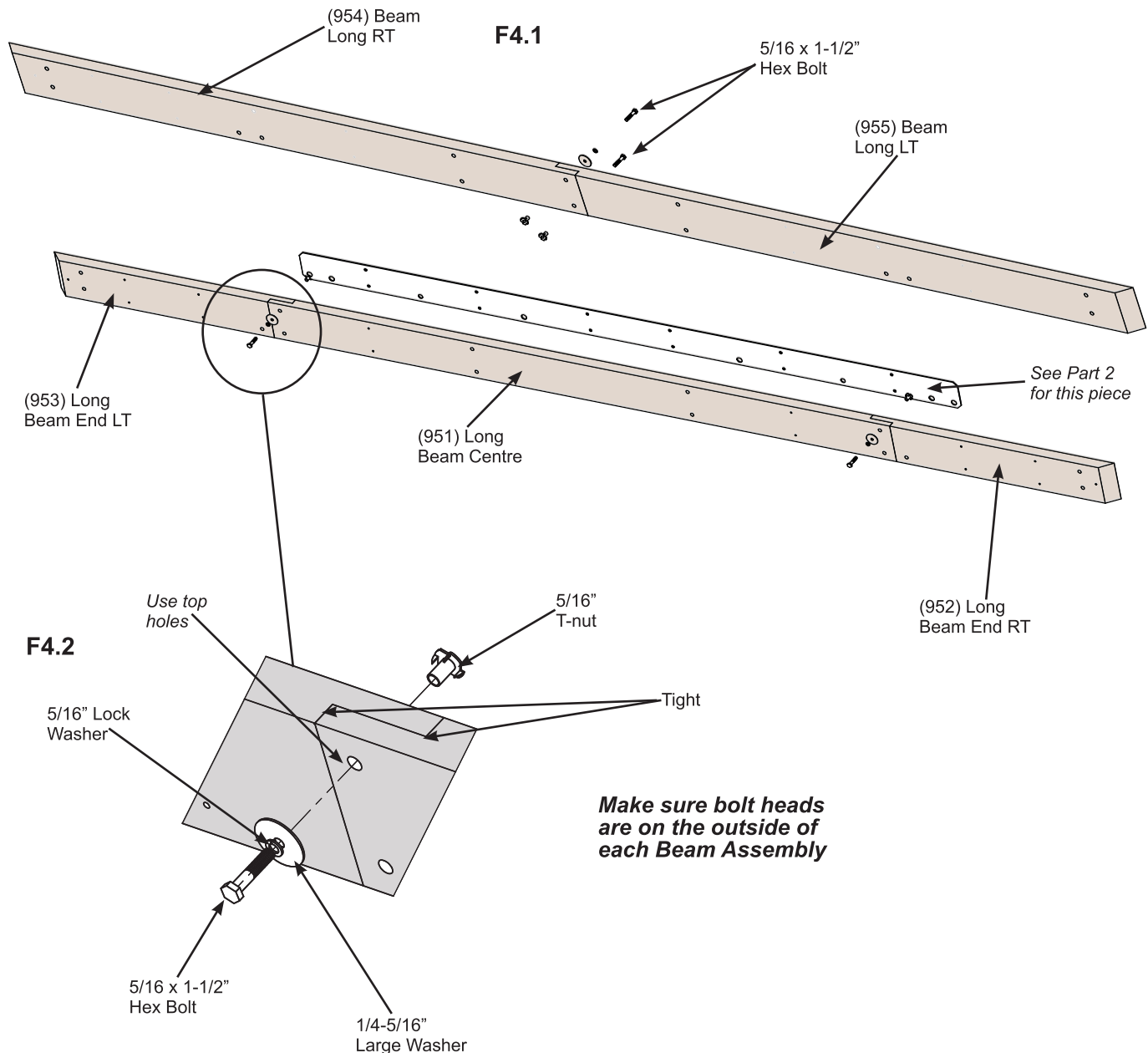
24 x #8 x 2-1/2" Wood Screw

Step 4: Long Beam Assembly Part 1

A: Connect one (954) Beam Long RT and one (955) Beam Long LT using two 5/16 x 1-1/2" Hex Bolts (with 5/16" lock washer, 1/4-5/16" large washer and 5/16" t-nut) as shown in F4.1 and F4.2.

B: Connect one (952) Long Beam End RT and one (953) Long Beam End LT to each end of one (951) Long Beam Centre using one 5/16 x 1-1/2" Hex Bolts (with 5/16" lock washer, 1/4-5/16" large washer and 5/16" t-nut) in the top holes per end as shown in F4.1 and F4.2.

C: Repeat Steps A and B one more time to make two Long Beam L-R Assemblies and two Long Beam End Assemblies.



Wood Parts

- 2 x (951) Long Beam Centre
- 2 x (952) Long Beam End RT
- 2 x (953) Long Beam End LT
- 2 x (954) Beam Long RT
- 2 x (955) Beam Long LT

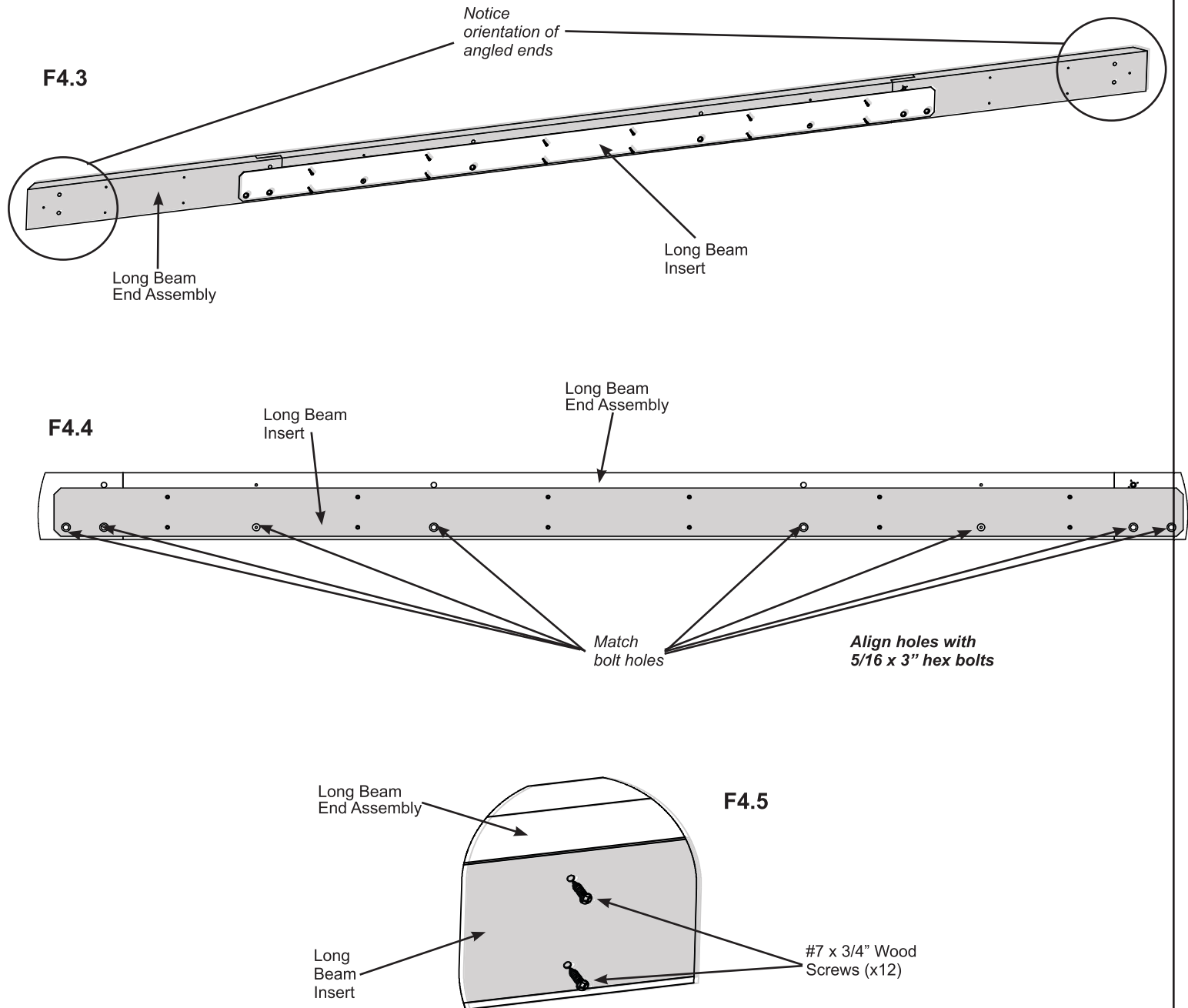
Hardware

- 8 x 5/16 x 1-1/2" Hex Bolt
(5/16" lock washer, 1/4-5/16" large washer, 5/16" t-nut)

Step 4: Long Beam Assembly Part 2

D: Place one Long Beam Insert centred on the inside of one Long Beam End Assembly (t-nut side). Match the bolt holes in the Long Beam End Assembly and Long Beam Insert then attach with 12 #7 x 3/4" Wood Screws. (F4.3, F4.4 and F4.5)

E: Repeat Step D for the second Long Beam End Assembly.



Components:
2 x Long Beam Insert

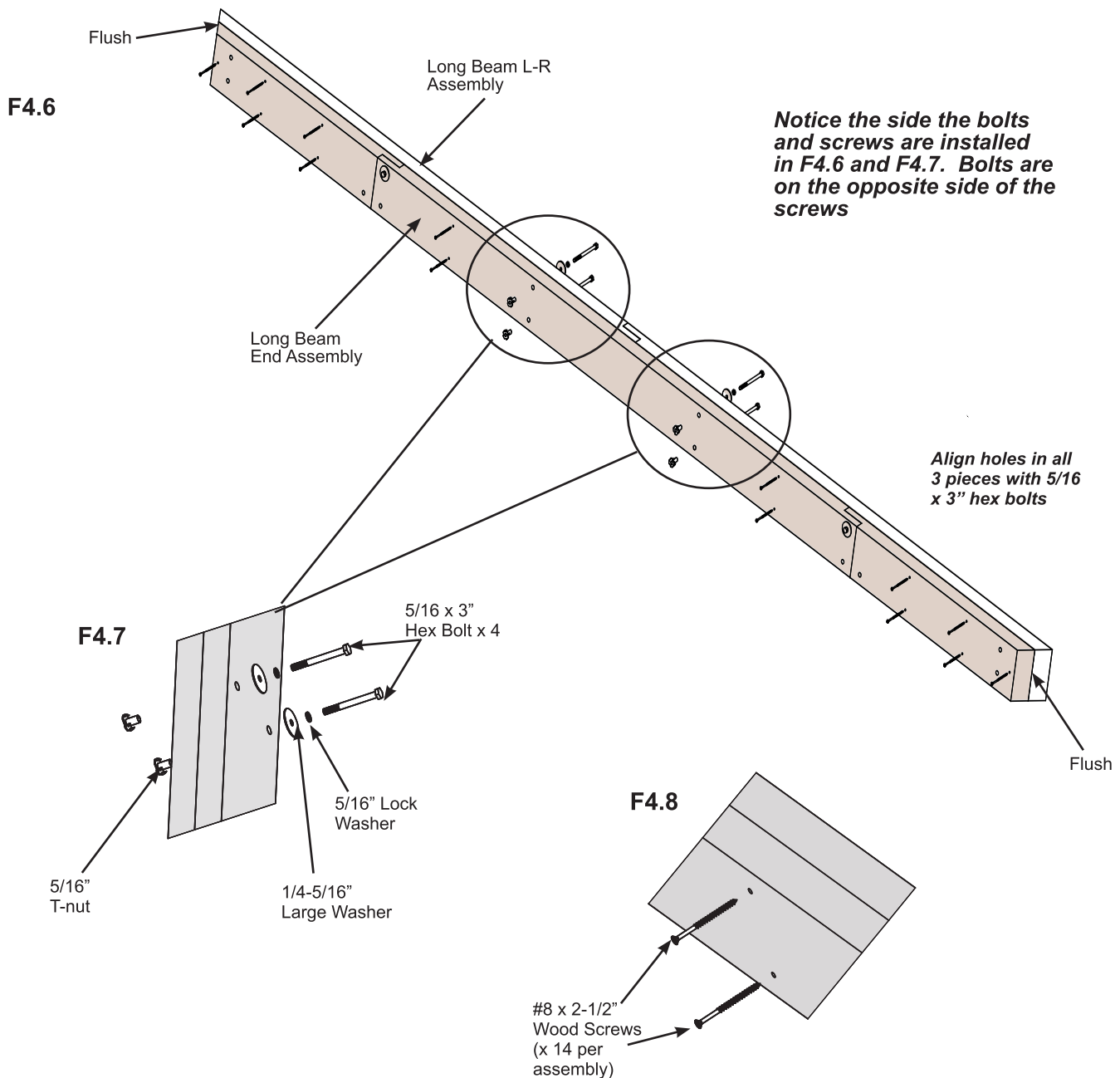
Hardware
24 x #7 x 3/4" Wood Screw

Step 4: Long Beam Assembly Part 3

F: Place one Long Beam L-R Assembly and one Long Beam End Assembly together so the beam assembly ends are flush and the angled ends match. Bolt heads must be on the outside of both beam assemblies. Match the bolt holes in both beam assemblies then loosely attach with four 5/16 x 3" Hex Bolts (with 5/16" lock washer, 1/4-5/16" large washer and 5/16" t-nut). (F4.6 and F4.7)

G: Secure assemblies with 14 #8 x 2-1/2" Wood Screws then tighten bolts. (F4.6, F4.7 and F4.8)

H: Repeat Step F and G to make a second Long Beam Assembly.

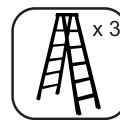


Hardware

28 x #8 x 2-1/2" Wood Screw

8 x 5/16 x 3" Hex Bolt
(5/16" lock washer, 1/4-5/16" large washer, 5/16" t-nut)

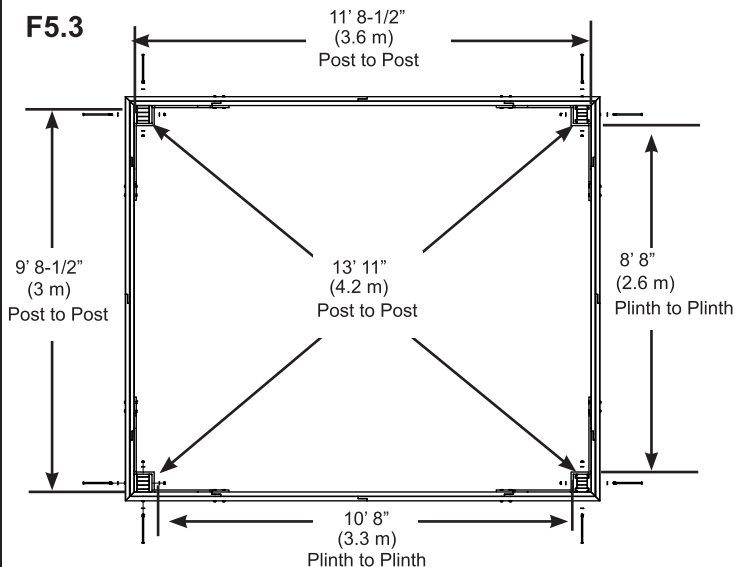
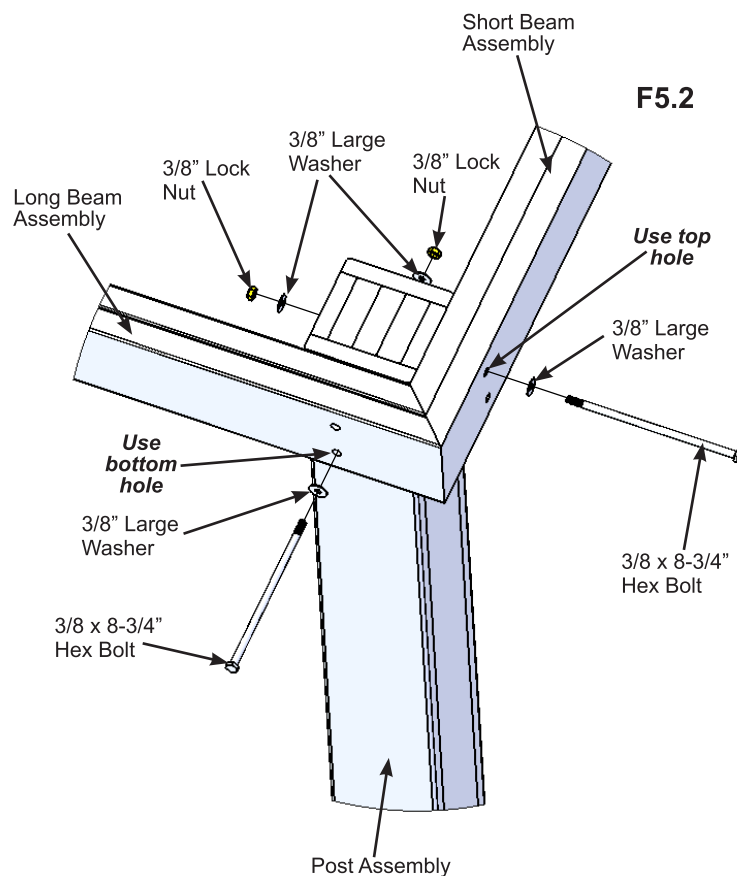
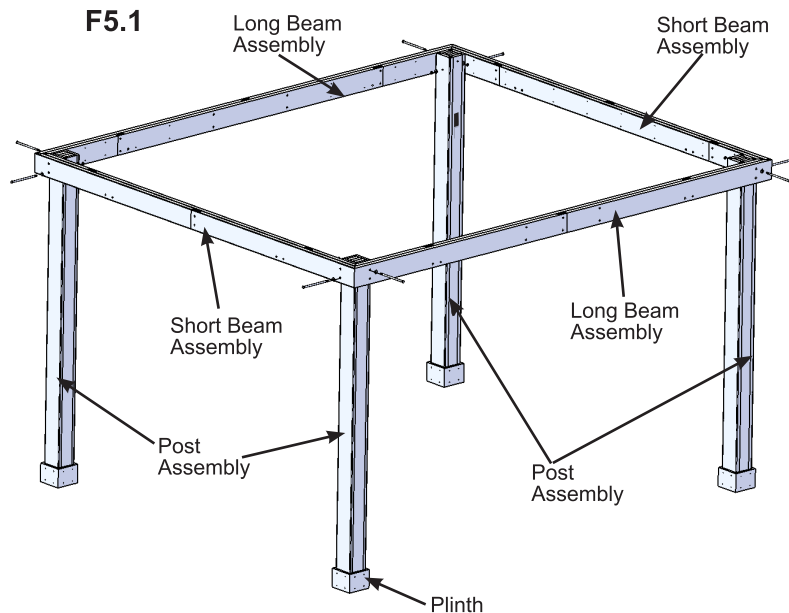
Step 5: Frame Assembly and Anchoring Part 1



A: Move your Post Assemblies to the final location. Make sure the ground is flat and level before continuing assembly.

B: With one person at each post stand two complete Post Assemblies. A third person places one Long Beam Assembly against the outside of two posts, flush to the tops and outside corners. Notice bolt hole orientation on the Long Beam Assembly. A fourth person attaches beam to post with one 3/8 x 8-3/4" Hex Bolt (with two 3/8" large washers and one 3/8" lock nut) per post. The distance from the outside of one post to the outside of the second post should be 11' 8-1/2" (3.6 m). (F5.1, F5.2 and F5.3)

C: Place one Short Beam Assembly against the outside of two posts, flush to the tops and outside corners and tight to Long Beam Assembly. Notice bolt hole orientation on the Short Beam Assembly. Attach beam to post with one 3/8 x 8-3/4" Hex Bolt (with two 3/8" large washers and one 3/8" lock nut) per post. The distance from the outside of one post to the outside of the second post should be 9' 8-1/2" (3 m). Continue until all four Beam Assemblies are attached and the corners are tight together. (F5.1 and F5.2) See F5.3 for accurate positioning of Posts.



Hardware

8 x 3/8 x 8-3/4" Hex Bolt (3/8" large washer x 2, 3/8" lock nut)

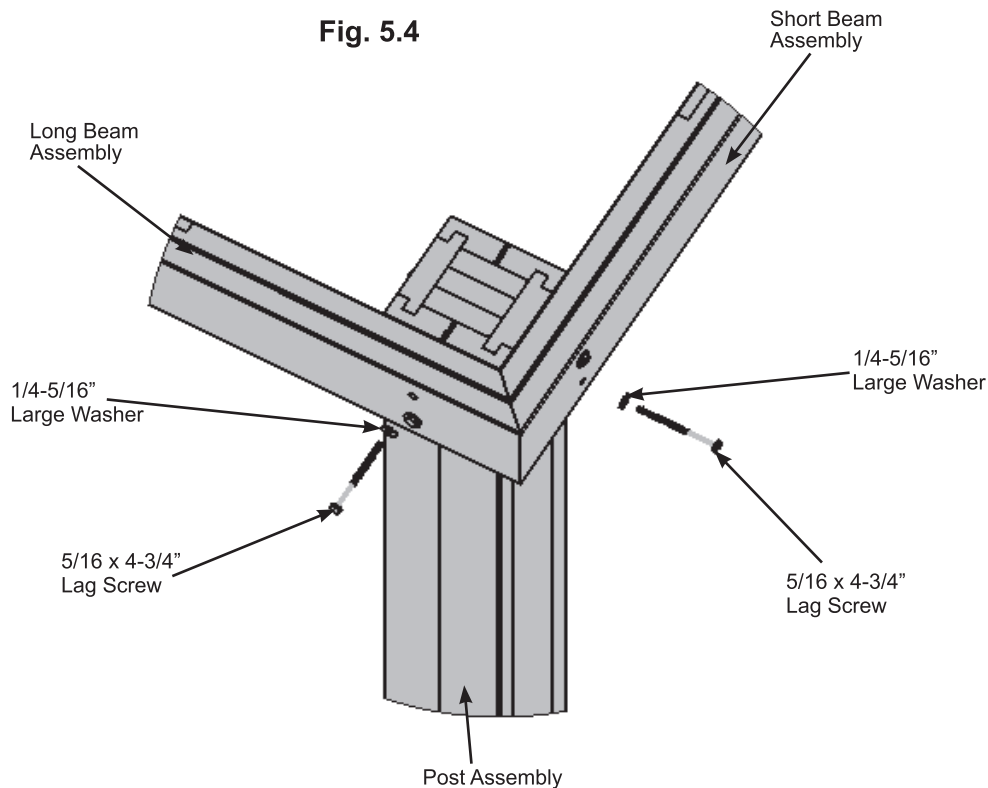
Step 5: Frame Assembly and Anchoring Part 2



D: Make sure each corner is square and level then attach Beam Assemblies to Post Assemblies with two 5/16 x 4-3/4" Lag Screws (with 1/4-5/16" large washer) per corner. (F5.4)

E: Depending on what you are placing the Gazebo on will determine how you anchor it to that surface. Please refer to pages 6 and 7 for installation examples.

Any hardware or extra materials for mounting will have to be purchased in advance.



Hardware

8 x 5/16 x 4-3/4" Lag Screw (1/4-5/16" large washer)

Step 6: Attach Gussets and Roof Brackets



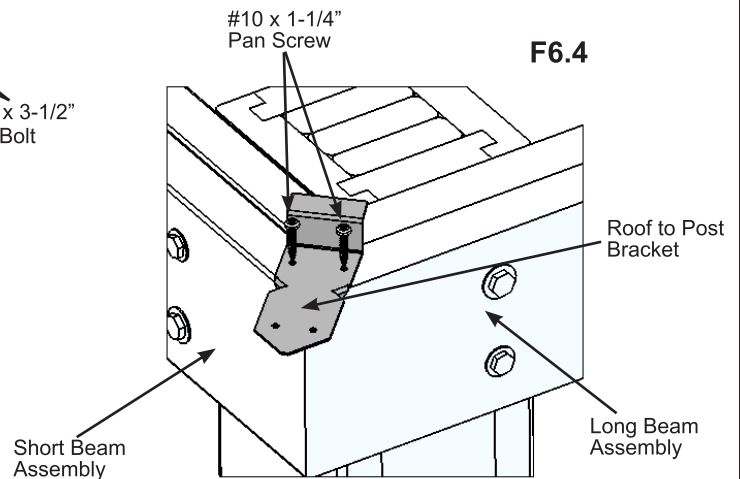
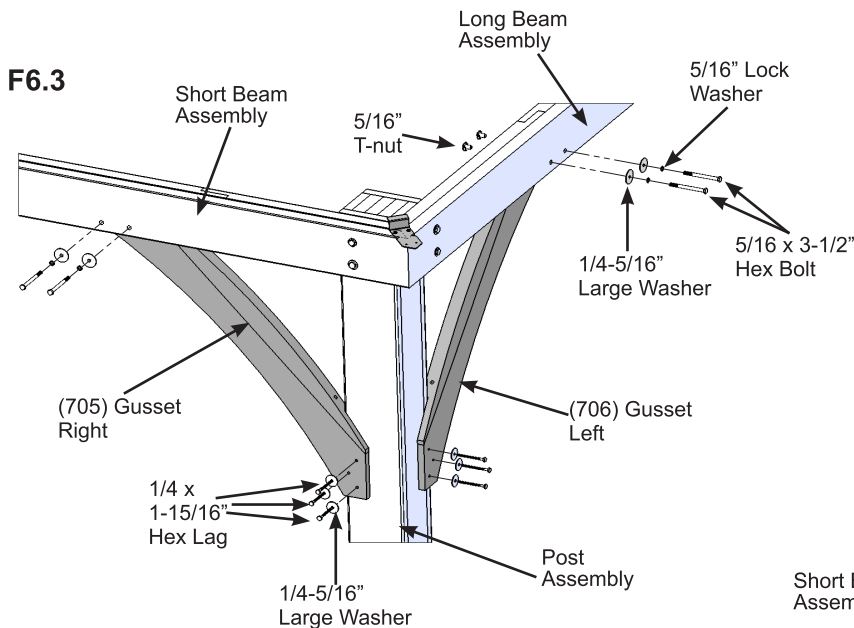
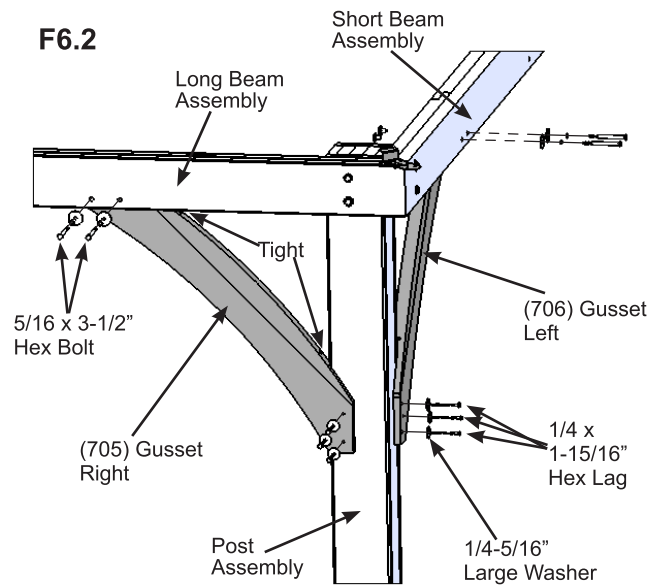
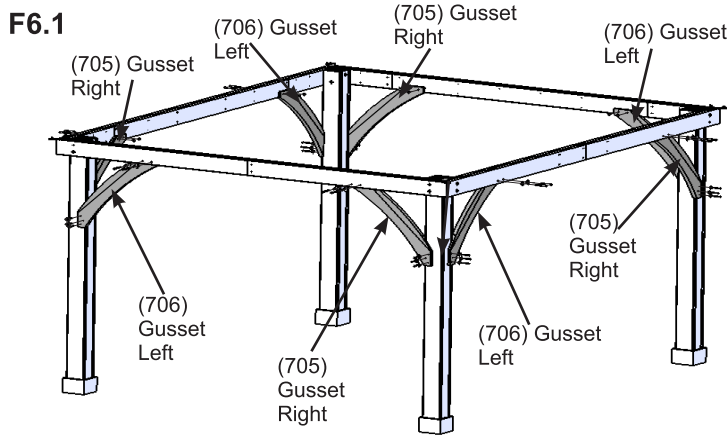
Note: The bevelled ends on each gusset should always face away from the wood it is attaching to.

A: Make sure the assembly is still square and level then facing one Long or Short Beam Assembly place one (705) Gusset Right on the right hand side so the top fits tight to the Beam Assembly and the bottom fits tight to the Post Assembly. Attach gusset to Beam Assembly with two 5/16 x 3-1/2" Hex Bolts (with 5/16" lock washer, 1/4-5/16" large washer and 5/16" t-nut). Pre-drill with a 1/8" drill bit then attach gusset to Post Assembly with three 1/4 x 1-15/16" Hex Lags (with 1/4-5/16" large washer). (F6.1, F6.2 and F6.3)

B: Repeat Step A on the left hand side with one (706) Gusset Left. (F6.1, F6.2 and F6.3)

C: Repeat Steps A and B for each Beam Assembly/Post Assembly. (F6.1, F6.2 and F6.3)

D: At each corner, tight to the outside edges of the joining Beam Assemblies attach one Roof to Post Bracket with two #10 x 1-1/4" Pan Screws. (F6.3 and F6.4)



Wood Parts

- 4 x (705) Gusset Right
- 4 x (706) Gusset Left

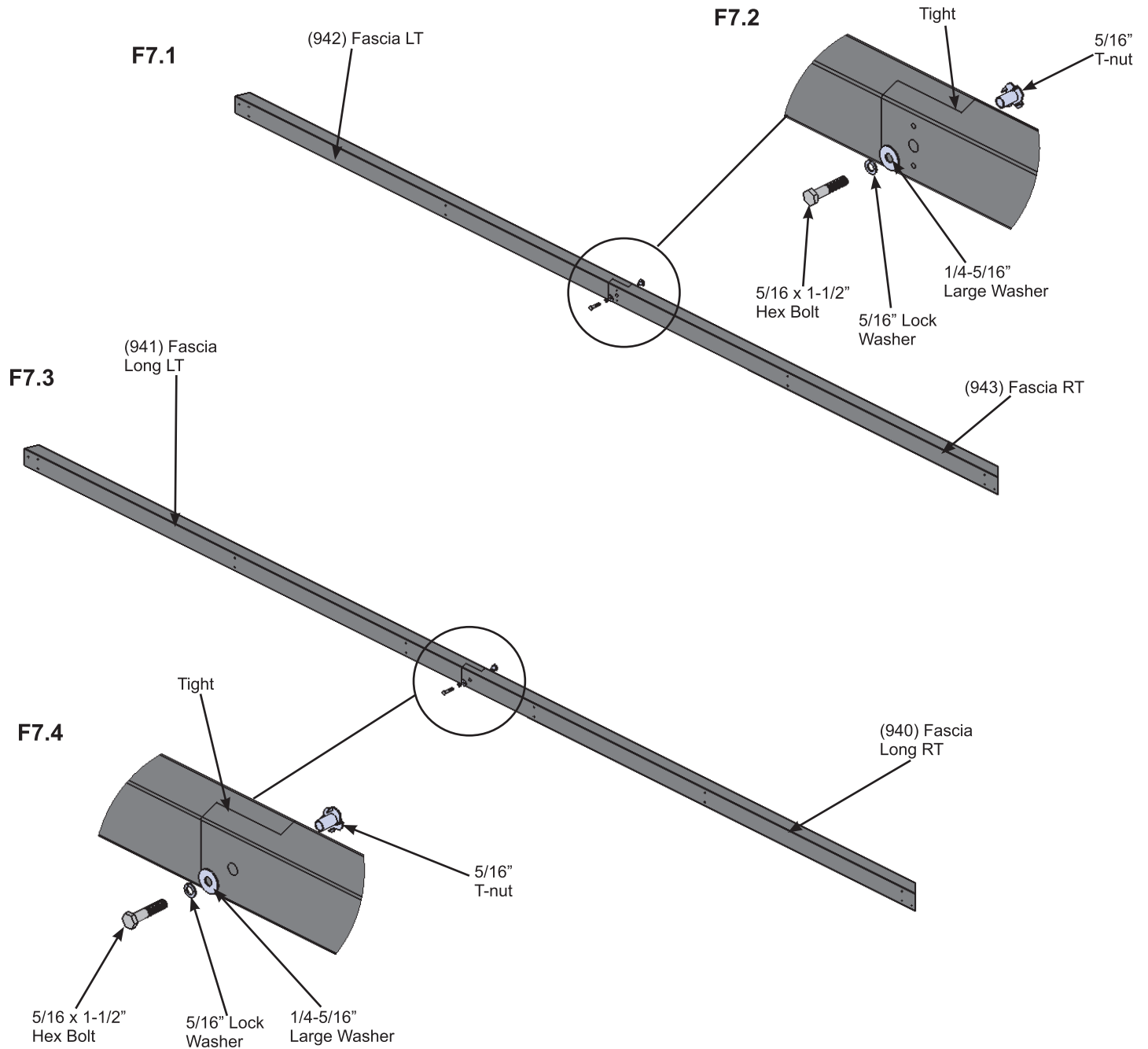
Hardware

- 24 x 1/4 x 1-15/16" Hex Lag (1/4-5/16" large washer)
- 16 x 5/16 x 3-1/2" Hex Bolt (5/16" lock washer, 1/4-5/16" large washer, 5/16" t-nut)
- 8 x #10 x 1-1/4" Pan Screw
- 4 x Roof to Post Bracket

Step 7: Fascia Beam Assemblies

A: Tightly connect one (942) Fascia LT and one (943) Fascia RT using one 5/16 x 1-1/2" Hex Bolt (with 5/16" lock washer, 1/4-5/16" large washer and 5/16" t-nut) as shown in F7.1 and F7.2. Repeat to make a second Fascia Beam Assembly.

B: Tightly connect one (940) Fascia Long RT and one (941) Fascia Long LT using one 5/16 x 1-1/2" Hex Bolt (with 5/16" lock washer, 1/4-5/16" large washer and 5/16" t-nut) as shown in F7.3 and F7.4. Repeat to make a second Large Fascia Beam Assembly.



Wood Parts

- 2 x (940) Fascia Long RT
- 2 x (941) Fascia Long LT
- 2 x (942) Fascia LT
- 2 x (943) Fascia RT

Hardware

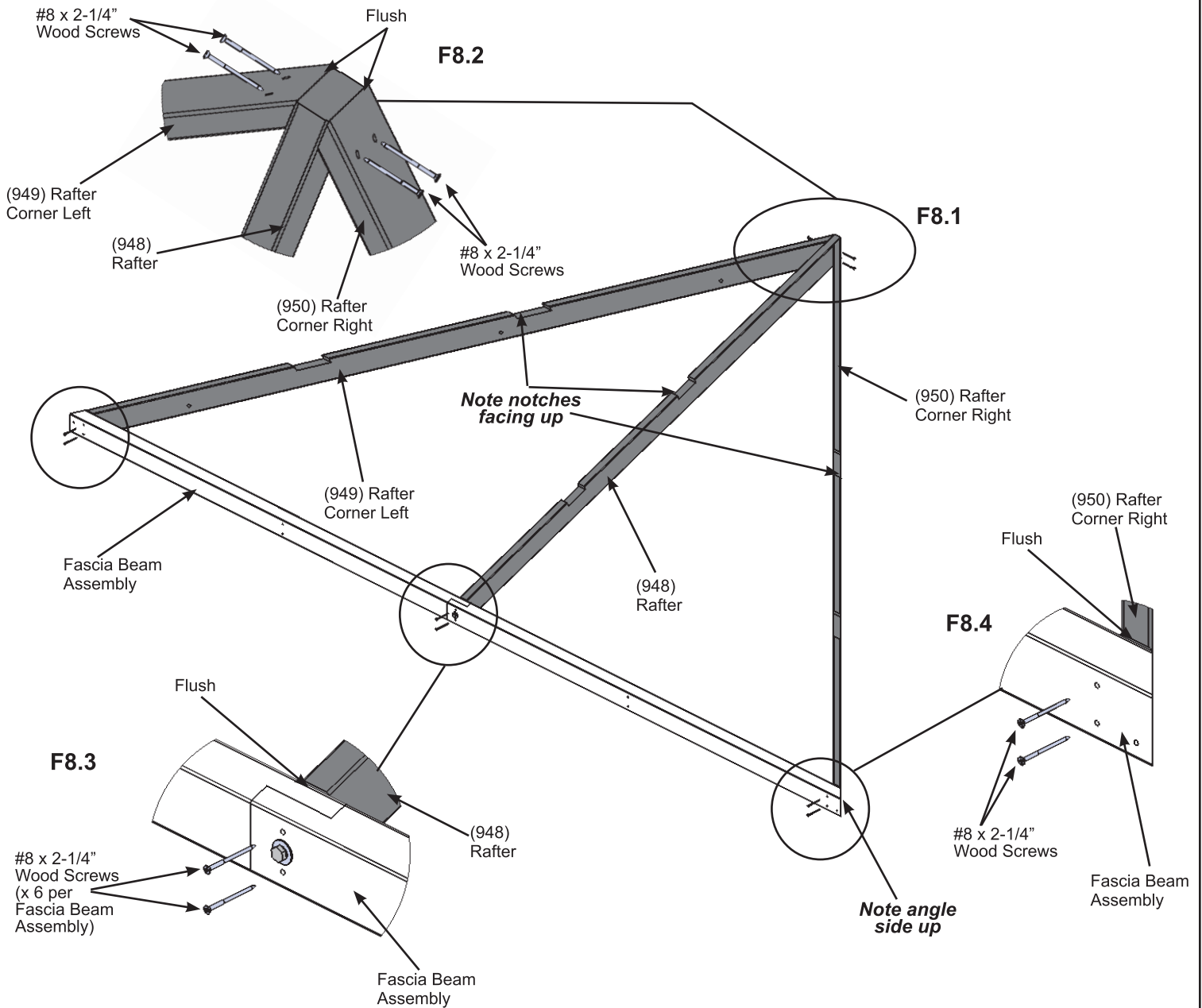
- 4 x 5/16 x 1-1/2" Hex Bolt
(5/16" lock washer, 1/4-5/16" large washer, 5/16" t-nut)

Step 8: Small Roof Rafter Assembly Part 1

A: On each side of one (948) Rafter place one (949) Rafter Corner Left and one (950) Rafter Corner Right so the tops and edges are flush then attach with two #8 x 2-1/4" Wood Screws per side. (F8.1 and F8.2)

B: Place Fascia Beam Assembly from Step 7A on the bottom of (949) Rafter Corner Left, (950) Rafter Corner Right and (948) Rafter so the sides are flush then attach with two #8 x 2-1/4" Wood Screws at each end and two in the middle. (F8.1, F8.3 and F8.4)

C: Repeat Steps A and B to make a second Small Roof Rafter Assembly.



Wood Parts

- 2 x (948) Rafter
- 2 x (949) Rafter Corner Left
- 2 x (950) Rafter Corner Right

Hardware

- 20 x #8 x 2-1/4" Wood Screw

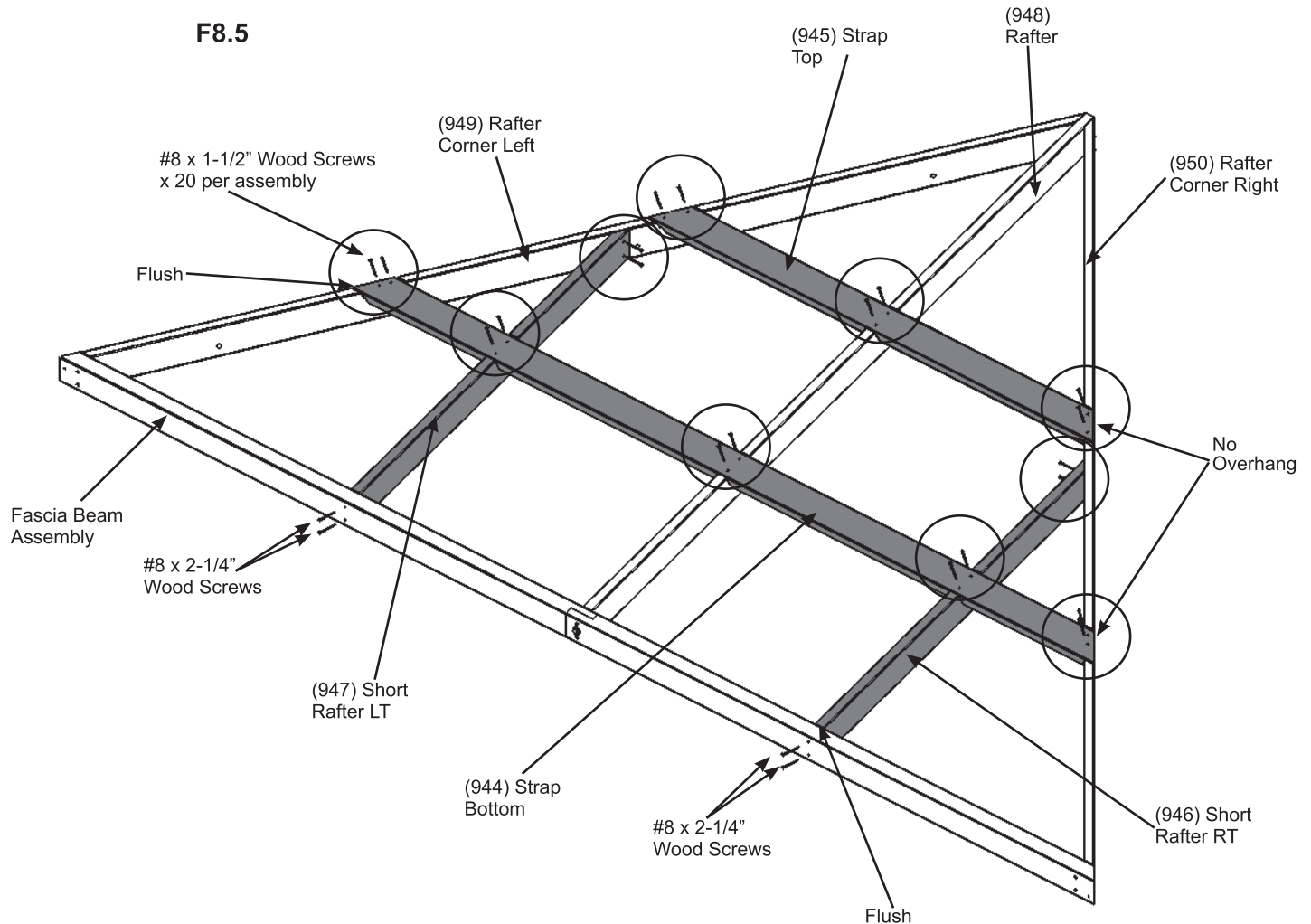
Step 8: Small Roof Rafter Assembly Part 2

D: Place one (945) Strap Top in the notches of (949) Rafter Corner Left, (950) Rafter Corner Right and (948) Rafter so the ends do not overhang the outside edges of the outside boards then attach with six #8 x 1-1/2" Wood Screws. (F8.5)

E: Place one (944) Strap Bottom in the notches of (949) Rafter Corner Left, (950) Rafter Corner Right and (948) Rafter so the ends do not overhang the outside edges of the outside boards and attach with six #8 x 1-1/2" Wood Screws. (F8.5)

F: Place one (946) Short Rafter RT and one (947) Short Rafter LT in the notches of (944) Strap Bottom and attach as shown in F8.5 with four #8 x 1-1/2" Wood Screws and two #8 x 2-1/4" Wood Screws per board.

G: Complete Steps D, E and F for both Small Roof Rafter Assemblies.



Wood Parts

- 2 x (944) Strap Bottom
- 2 x (945) Strap Top
- 2 x (946) Short Rafter RT
- 2 x (947) Short Rafter LT

Hardware

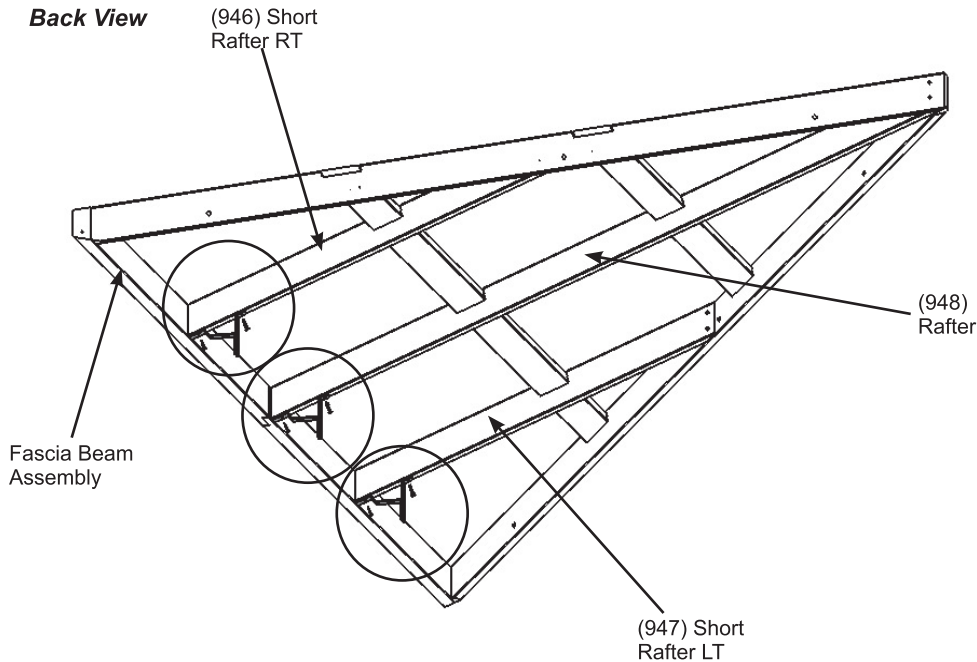
- 40 x #8 x 1-1/2" Wood Screw
- 8 x #8 x 2-1/4" Wood Screw

Step 9: Attach Roof to Beam Brackets - Small Roof Rafter Assembly

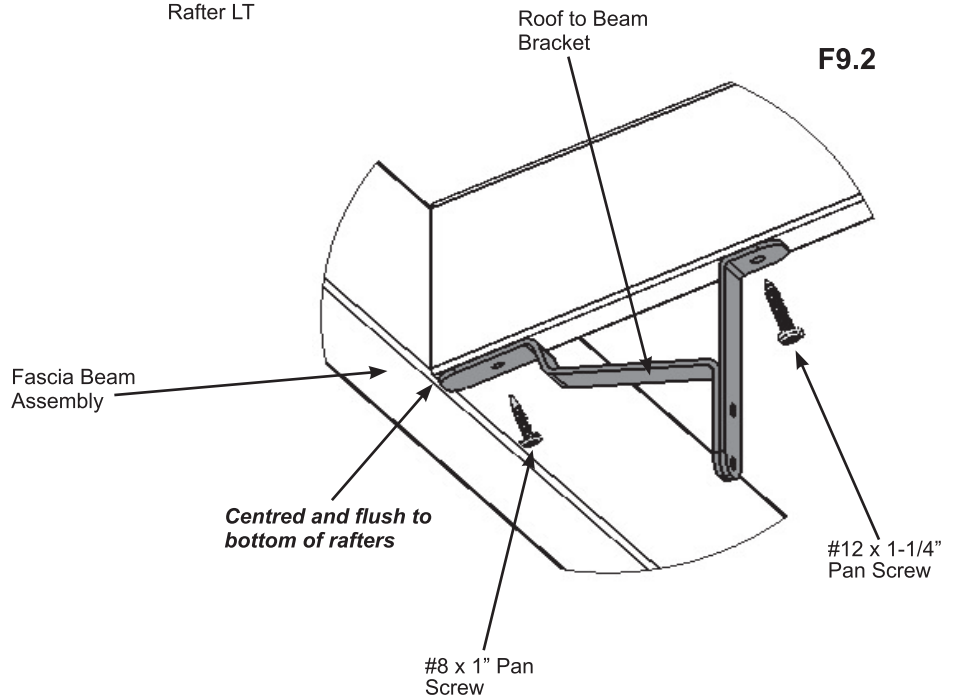
A: On the Back of one Small Roof Rafter Assembly, centred and flush to the bottom of (946) Short Rafter RT, (947) Short Rafter LT and (948) Rafter attach one Roof to Beam Bracket per board with one #8 x 1" Pan Screw in the bottom hole and one #12 x 1-1/4" Pan Screw in the top hole per bracket. Make sure to only install on one Small Roof Rafter Assembly, the second will not have brackets. (F9.1 and F9.2)

F9.1

Back View



F9.2



Components:

3 x Roof to Beam Bracket

Hardware

3 x #8 x 1" Pan Screw

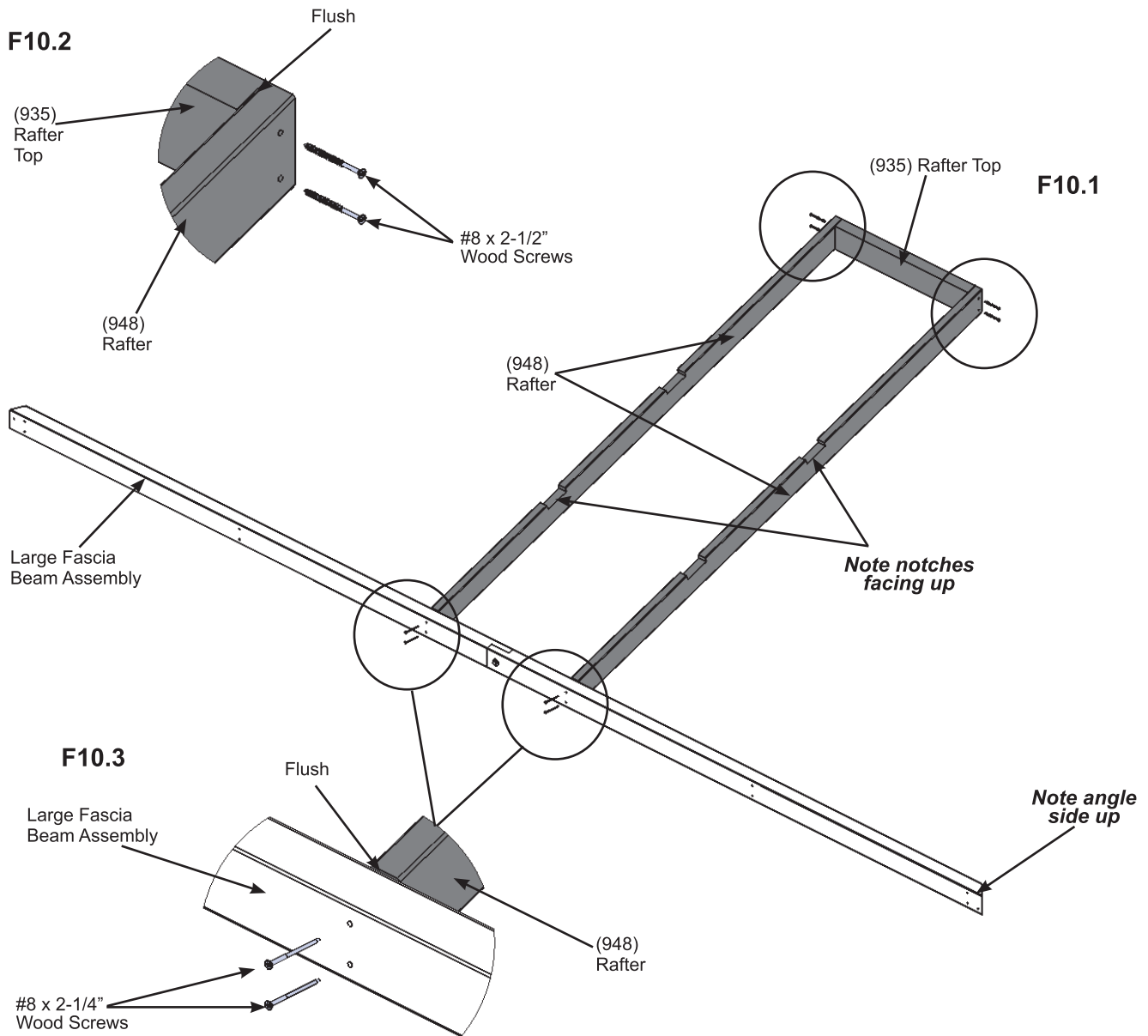
3 x #12 x 1-1/4" Pan Screw

Step 10: Large Roof Rafter Assembly Part 1

A: On each side of one (935) Rafter Top place one (948) Rafter so the tops and edges are flush then attach with two #8 x 2-1/2" Wood Screws per side. (F10.1 and F10.2)

B: Place Large Fascia Beam Assembly from Step 7B on the bottom of (948) Rafters so the sides are flush and holes are centred on the (948) Rafters then attach with two #8 x 2-1/4" Wood Screws per rafter. (F10.1 and F10.3)

C: Repeat Steps A and B to make a second Large Roof Rafter Assembly.



Wood Parts

- 4 x (948) Rafter
- 2 x (935) Rafter Top

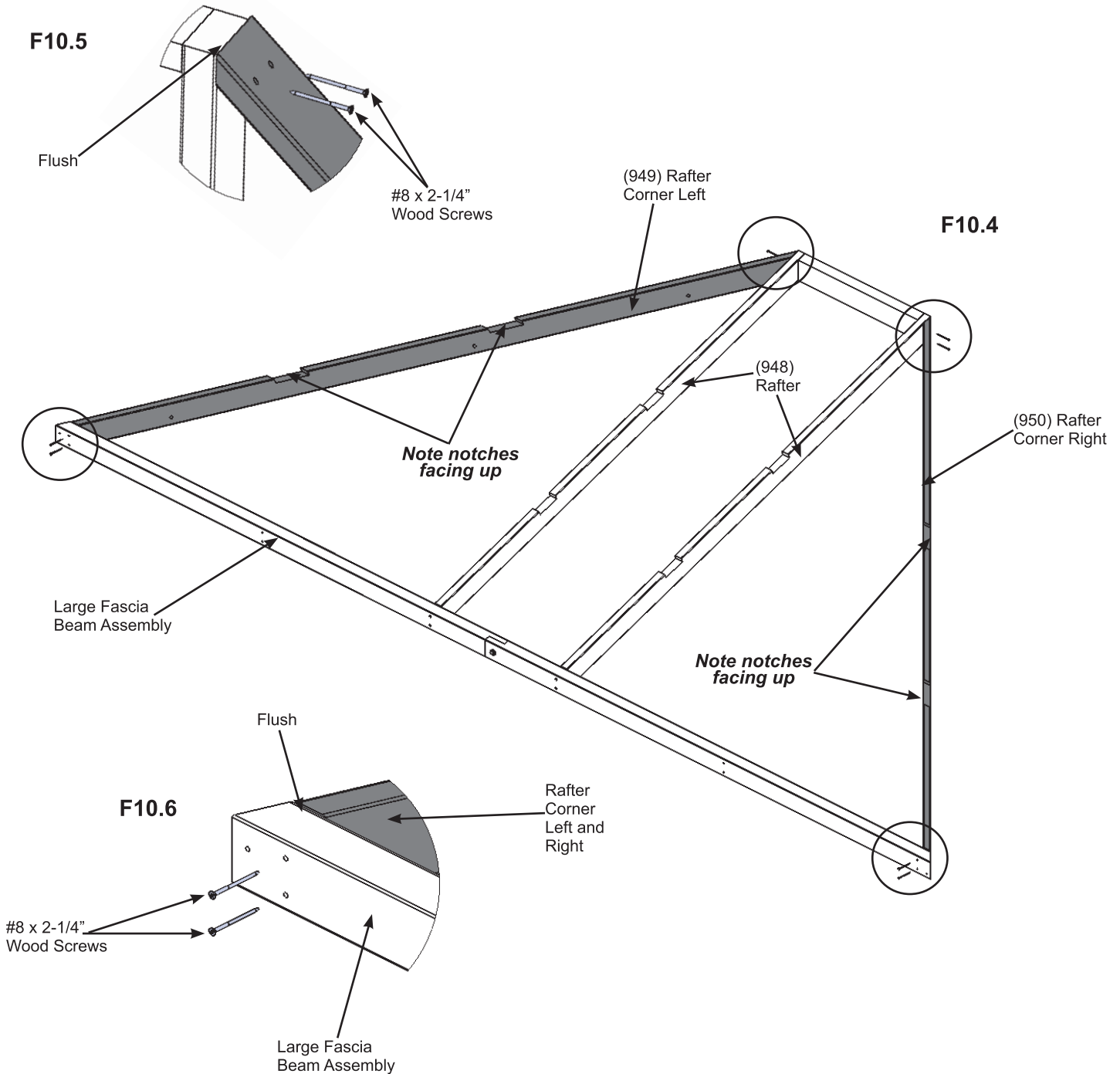
Hardware

- 8 x #8 x 2-1/4" Wood Screw
- 8 x #8 x 2-1/2" Wood Screw

Step 10: Large Roof Rafter Assembly Part 2

D: Beside each (948) Rafter place one (949) Rafter Corner Left and one (950) Rafter Corner Right so the tops and edges are flush and the bottom edges are flush to Large Fascia Beam Assembly then attach with two #8 x 2-1/4" Wood Screws to the top and bottom of the rafters per side. (F10.4, F10.5 and F10.6)

E: Repeat Step D for the second Large Roof Rafter Assembly.



Wood Parts

- 2 x (949) Rafter Corner Left
- 2 x (950) Rafter Corner Right

Hardware

- 16 x #8 x 2-1/4" Wood Screw