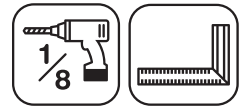
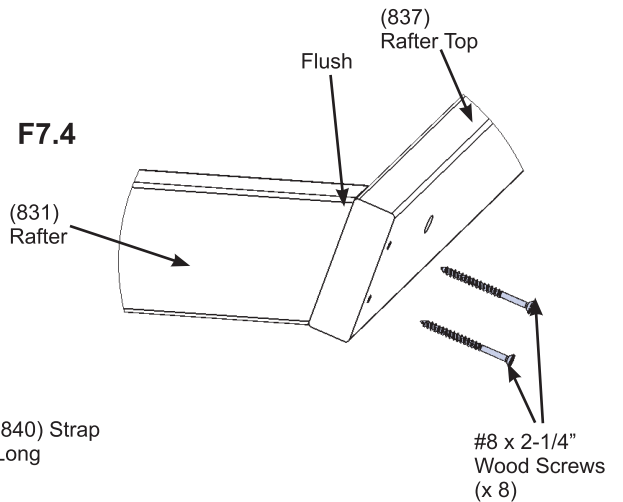
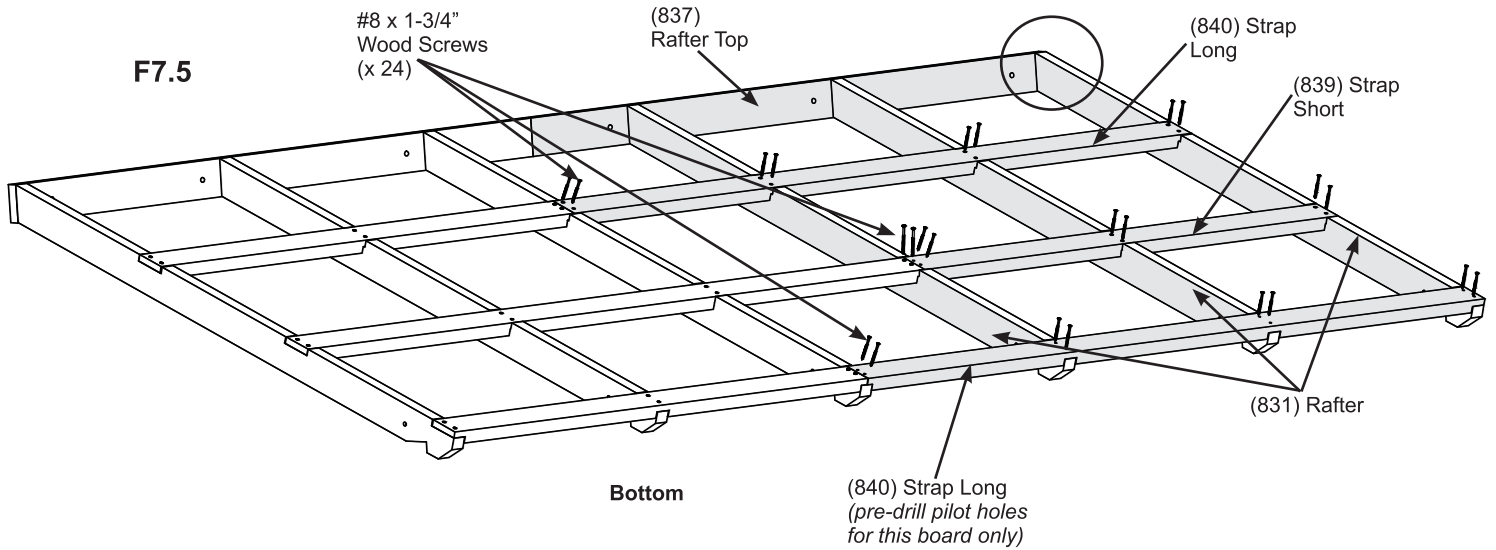


Step 7: Roof Panel Frame Part 2

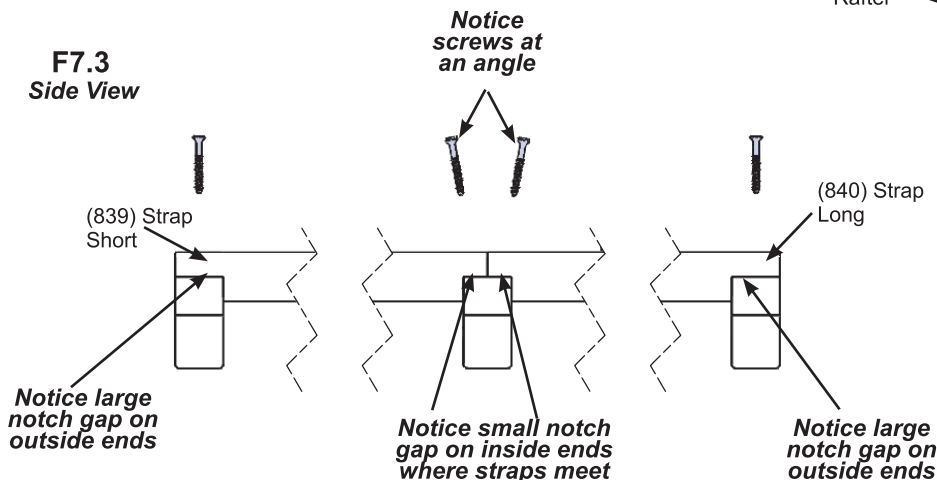


D: Lay out three more (831) Rafters beside the first three, then tight to each (839) Strap Short place one (840) Strap Long and tight to the first (840) Strap Long place one (839) Strap Short. Make sure the wider gap on each strap is on the outside. Make sure the assembly is square, pre-drill the first (840) Strap Long with a 1/8" drill bit, as shown below, then attach (840) Strap Longs and (839) Strap Short with 24 #8 x 1-3/4" Wood Screws. The screws where the straps meet are inserted at an angle. (F7.3 and F7.5)

E: Tight to the first (837) Rafter Top attach a second (837) Rafter Top with six #8 x 2-1/4" Wood Screws. (F7.4 and F7.5)



F7.3
Side View



Wood Parts

- 2 x (839) Strap Short
- 4 x (840) Strap Long
- 2 x (837) Rafter Top

Hardware

- 48 x #8 x 1-3/4" Wood Screw
- 12 x #8 x 2-1/4" Wood Screw

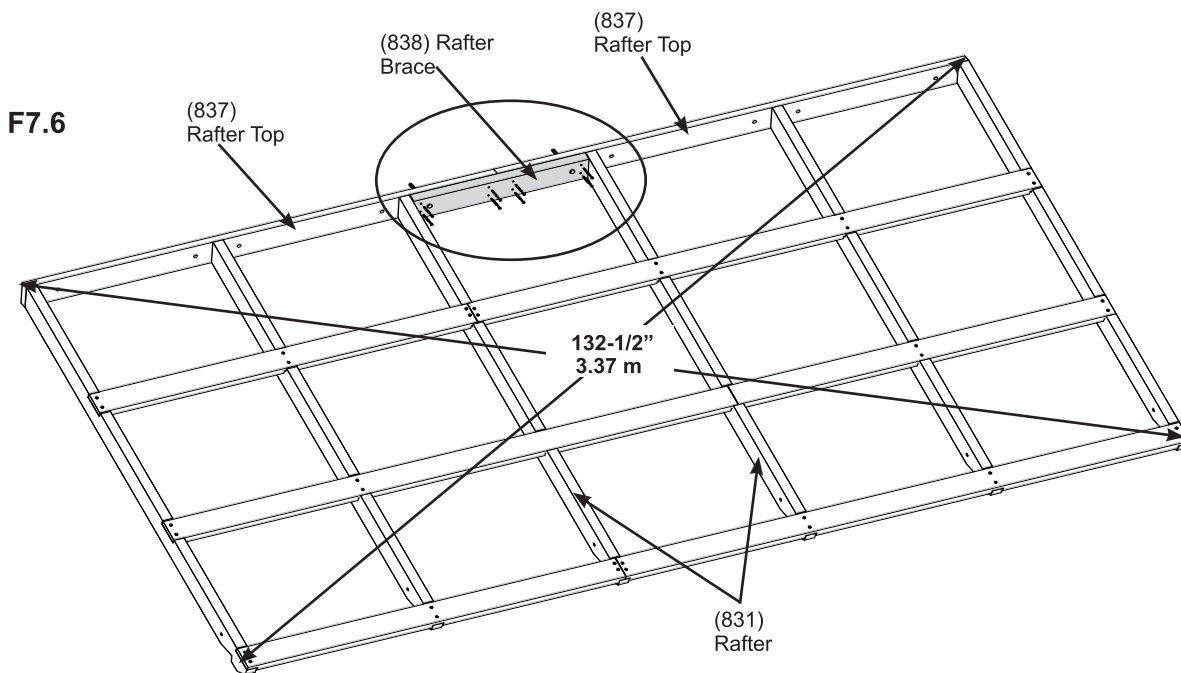
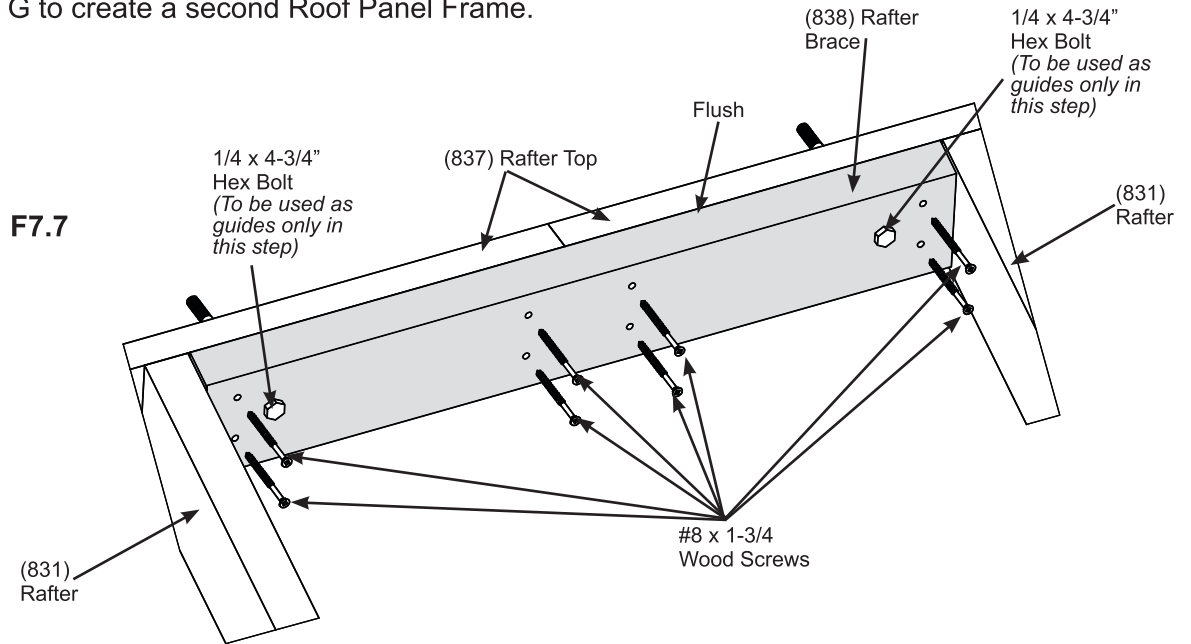
Step 7: Roof Panel Frame Part 3



F: Make sure frame is square. Measurements to be as shown in F7.6.

G: In the centre middle gap between (831) Rafters place one (838) Rafter Brace flush to the top of each (837) Rafter Top. Use two 1/4 x 4-3/4" Hex Bolts as a guide to line up the bolt holes. Attach (838) Rafter Braces to (837) Rafter Tops with eight #8 x 1-3/4" Wood Screws. Remove each Hex Bolt as they will be used in a later step and not installed here. (F7.6 and F7.7)

H: Repeat Steps A - G to create a second Roof Panel Frame.

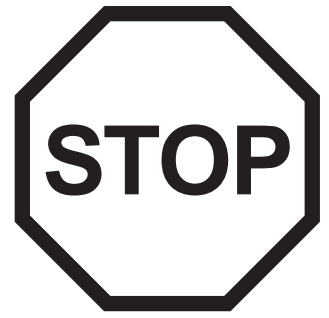
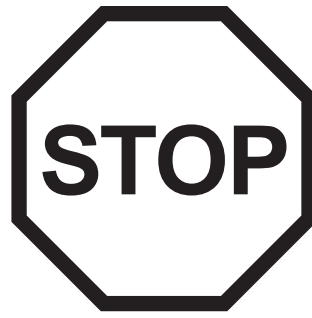
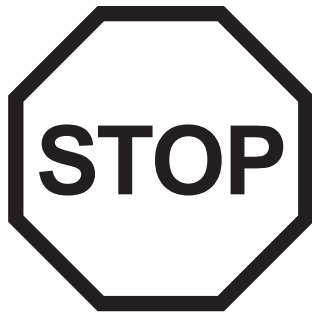
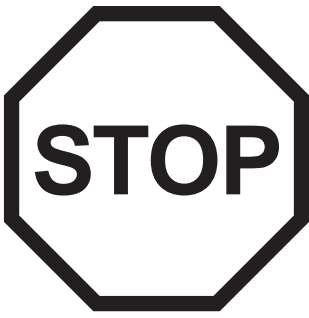


Wood Parts

2 x (838) Rafter Brace

Hardware

16 x #8 x 1-3/4" Wood Screw



INSTALLING ROOFING MATERIAL

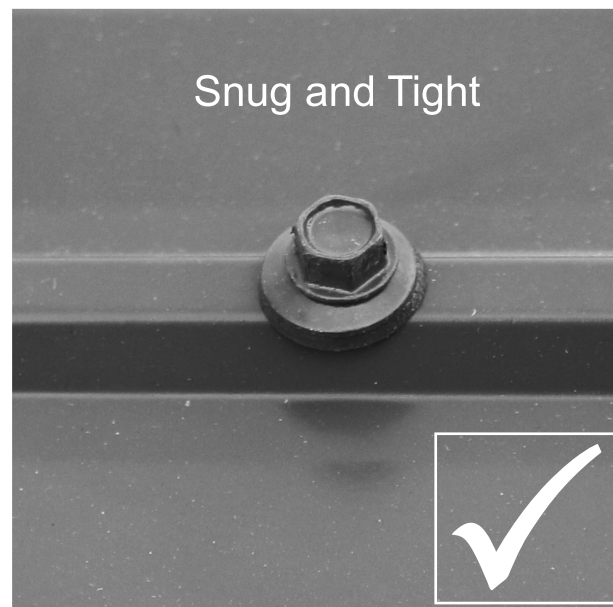
CAUTION!

Roofing material may have sharp edges! Wear gloves!

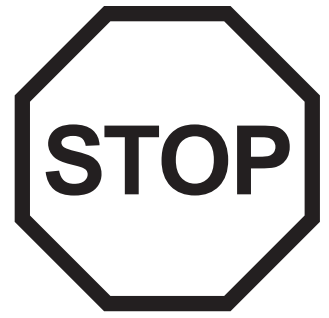
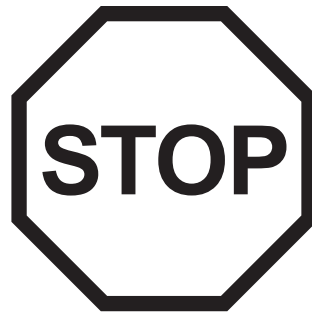
HANDLE WITH CARE!

Place roofing material on a non-abrasive surface before assembly as it can bend, dent and scratch easily.

**WARNING – DO NOT OVER TIGHTEN ROOFING SCREWS!
Over tightening screws will cause roofing material to crush.**



The roofing screws can easily crush the Roof Panels and Roof Edges when using a power drill. We recommend hand tightening the roofing screws so that they sit snug and tight to the roofing material.

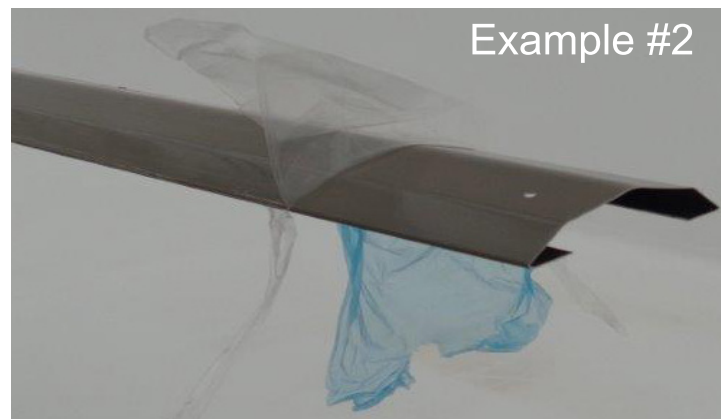
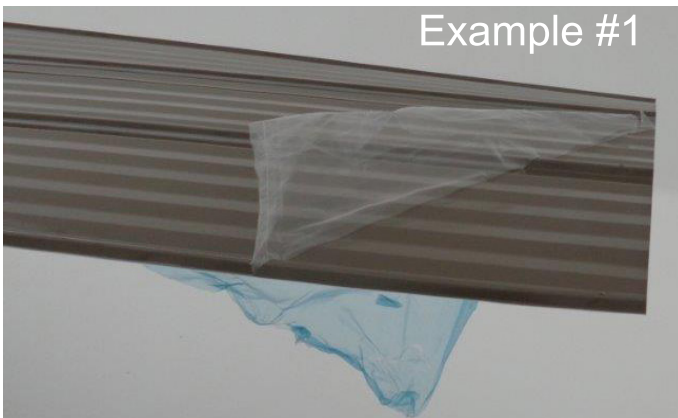


INSTALLING ROOFING MATERIAL

CAUTION!

Roofing material may have sharp edges! Wear gloves!

BE SURE TO REMOVE ALL PLASTIC COVERING, ON BOTH SIDES OF THE ALUMINUM PANELS AND TRIM, DIRECTLY BEFORE INSTALLING EACH PIECE. *(One side is clear and the other is blue, both must be removed.)*



Step 8: Attach Roof Panels Part 1



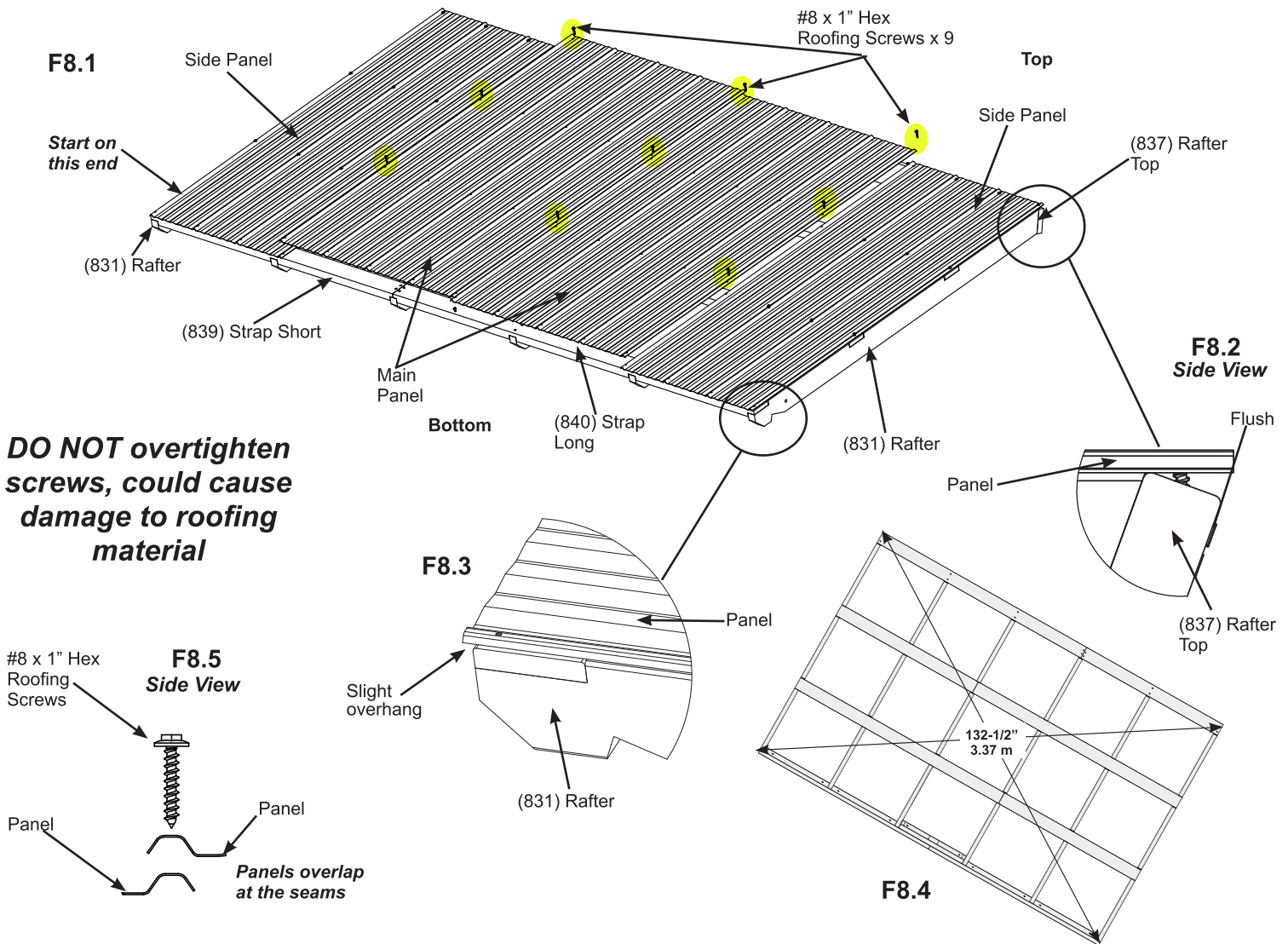
Note: Be sure to remove all plastic covering on both sides of the metal panels directly before installing each piece.

A: Make sure panel is still square then on one Roof Panel Frame place one Side Panel flush to the top and sides of the outside (831) Rafter on the side shown below. Panels should be flush to the top of the (837) Rafter Top. There will be a slight overhang at the bottom. There are no holes on the ribs at the top of the panel. (F8.1, F8.2, F8.3 and F8.4)

B: Place two more Main Panels beside the first then lastly one Side Panel so the panels overlap and screw holes line up as shown below. (F8.1 and F8.5)

C: Attach all four Panels to Roof Panel Frame using nine #8 x 1" Hex Roofing Screws in locations shown in F8.1. Do not install screws to the bottom (839) Strap Short and (840) Strap Long. Be sure not to overtighten screws.

D: Repeat Steps A - C for the second Roof Panel Frame.



Roof Panel Set:

- 4 x Main Panel
- 4 x Side Panel

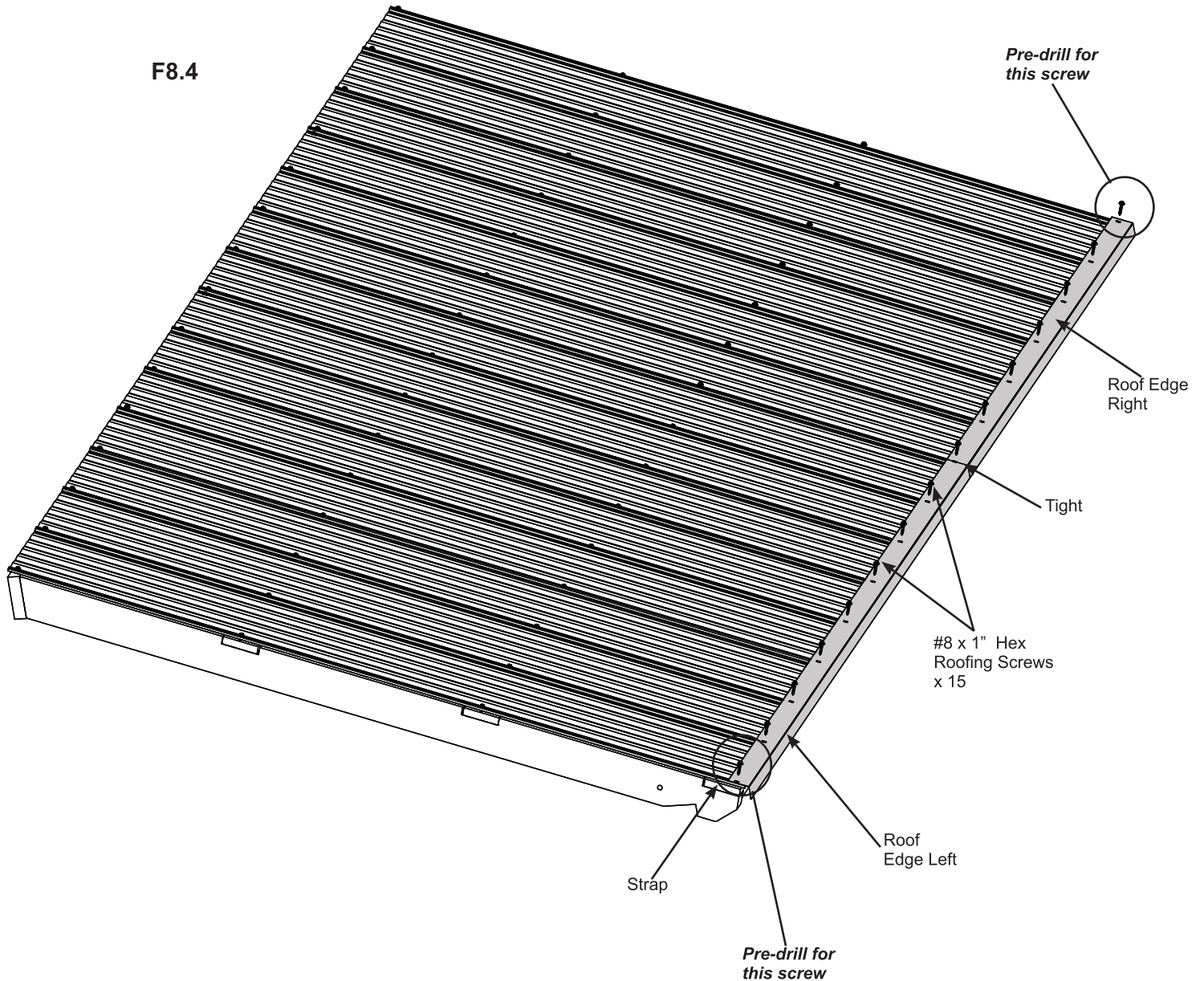
Hardware

- 18 x #8 x 1" Hex Roofing Screw

Step 8: Attach Roof Panels Part 2



E: Place one Roof Edge Left and one Roof Edge Right on the bottom of one Roof Panel Frame so they meet tight and the ends are flush with the outside ends of (839) Strap Short and (840) Strap Long. Pre-drill the end holes on both Roof Edge Right and Roof Edge Left with a 1/8" drill bit then attach both Roof Edges with 15 #8 x 1" Hex Roofing Screws. (F8.4)



Components

2 x Roof Edge Left
2 x Roof Edge Right

Hardware

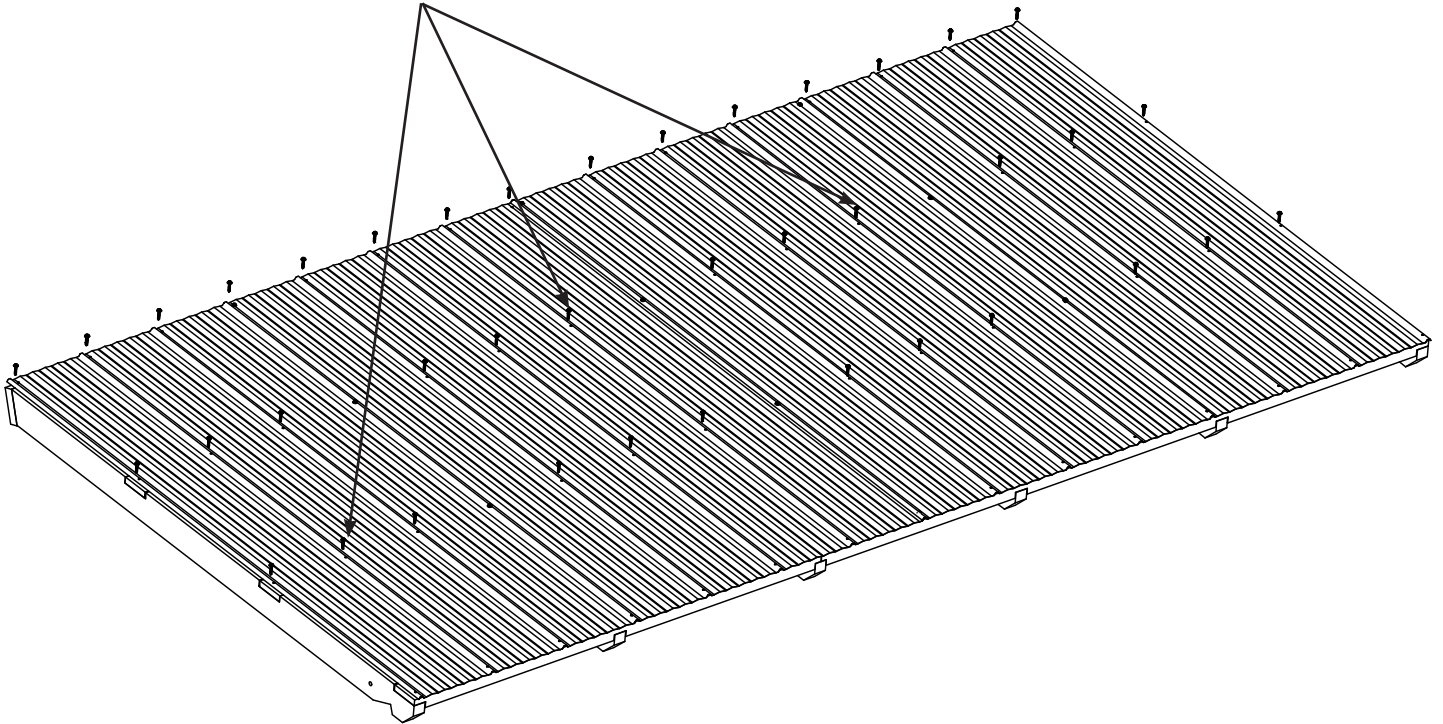
30 x #8 x 1" Hex Roofing Screw

Step 8: Attach Roof Panels Part 3

F: Attach the Main Panels and Side Panels to Roof Panel Frame using 39 #8 x 1" Hex Roofing Screws as shown in F8.5. Be sure not to overtighten screws.

F8.5

#8 x 1" Hex Roofing Screws
(39 per Panel Frame)



Hardware

78 x #8 x 1" Hex Roofing Screw

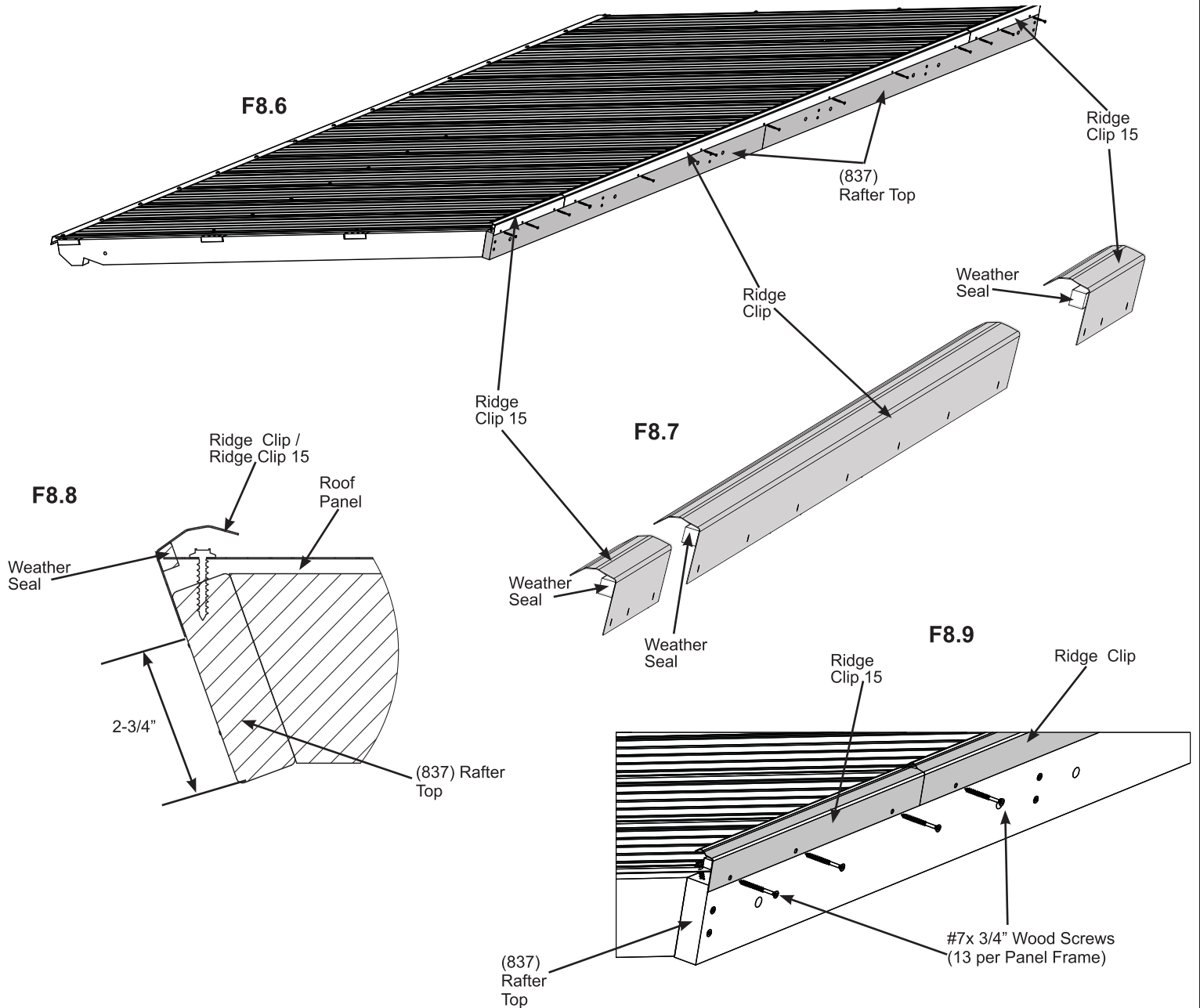
Step 8: Attach Roof Panels Part 4



G: Place Weather Seal on the inside of two Ridge Clip 15 then place one Ridge Clip 15 flush to each side of Roof Panel Frame and 2-3/4" up from the bottom of (837) Rafter Top, make sure not to compress Weather Seal. Attach with three #7 x 3/4" Wood Screws per Ridge Clip 15. Ridge Clip 15s must cover the Roof Panels. (F8.6, F8.7, F8.8 and F8.9)

H: Place Weather Seal on the inside of one Ridge Clip then place Ridge Clip in between both Ridge Clip 15s, 2-3/4" up from the bottom of (837) Rafter Top. Ridge Clip must cover the Roof Panels. Do not compress Weather Seal. Attach with seven #7 x 3/4" Wood Screws. (F8.6, F8.7, F8.8 and F8.9)

I: Repeat Steps E - H for the second Roof Panel Frame.



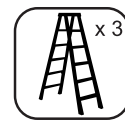
Components

2 x Ridge Clip
4 x Ridge Clip 15
6 x Weather Seal

Hardware

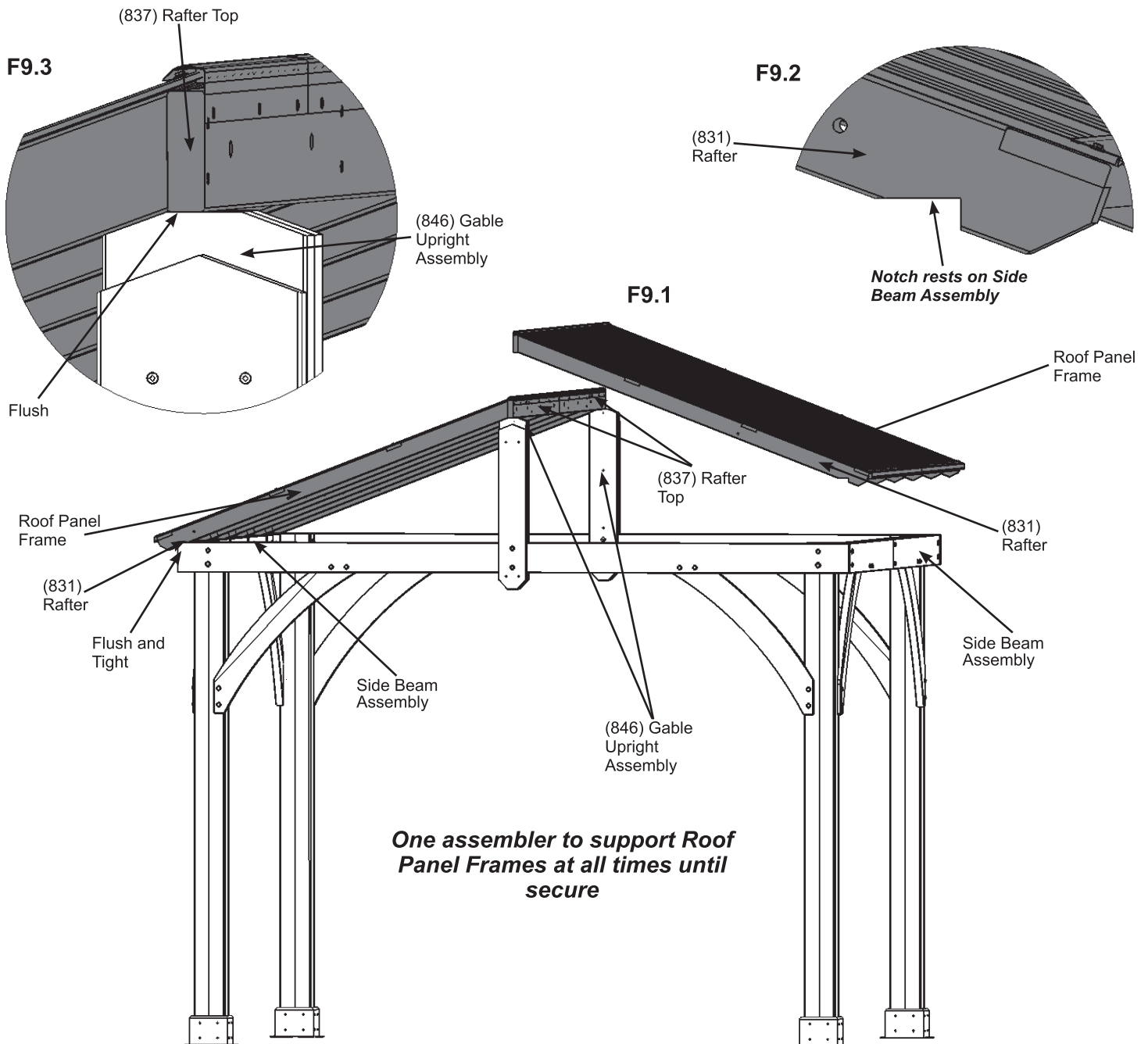
26 x #7 x 3/4" Wood Screw

Step 9: Attach Roof Panels to Frame Part 1

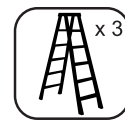


A: With four assemblers lift one Roof Panel Frame up and over Post and Beam Frame Assembly so the notches in (831) Rafters rest on Side Beam Assembly and (837) Rafter Tops are flush to the outside of each (846) Gable Upright Assembly. **One assembler must remain on a ladder to hold Roof Panel Frame in place until secured.** (F9.1, F9.2 and F9.3)

B: Lift the second Roof Panel Frame so the notches in (831) Rafters rest on Side Beam Assembly and (837) Rafter Tops are flush to the outside of each (846) Gable Upright Assembly and is tight to the first Roof Panel Frame. (F9.1, F9.2 and F9.3)

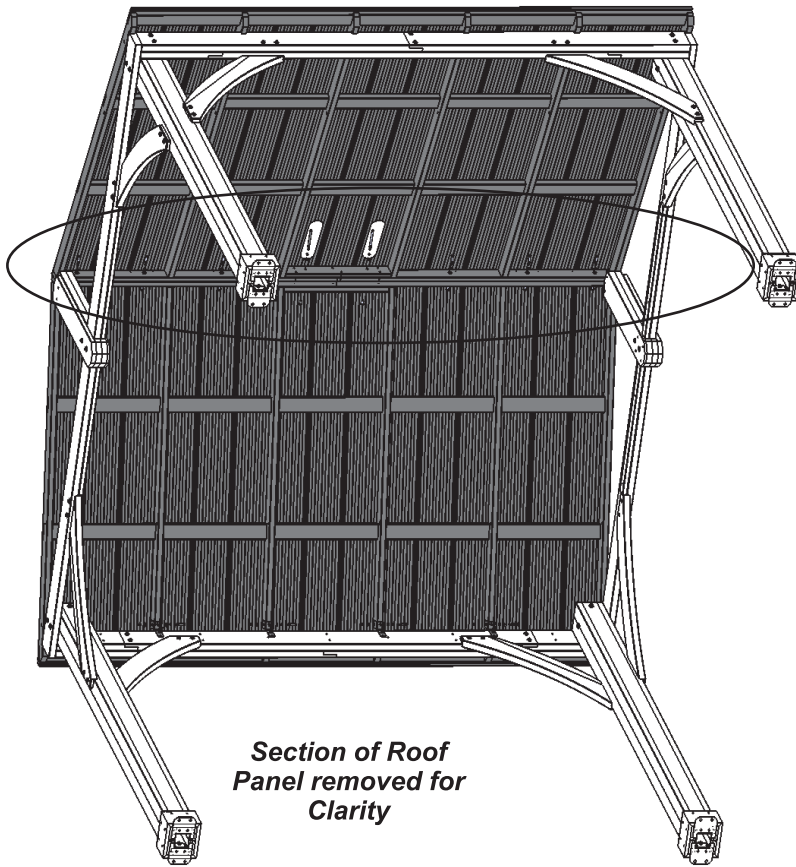


Step 9: Attach Roof Panels to Frame Part 2



C: From inside the assembly attach the two Roof Panel Frames together through (838) Rafter Brace with two 1/4 x 4-3/4" Hex Bolts (with two 1/4-5/16" large washer and one 1/4" lock nut) and through (837) Rafter Tops with eight 1/4 x 2-3/4" Hex Bolt (with two 1/4-5/16" large washer and one 1/4" lock nut). (F9.4, F9.5, F9.6 and F9.7)

F9.4



Section of Roof Panel removed for Clarity

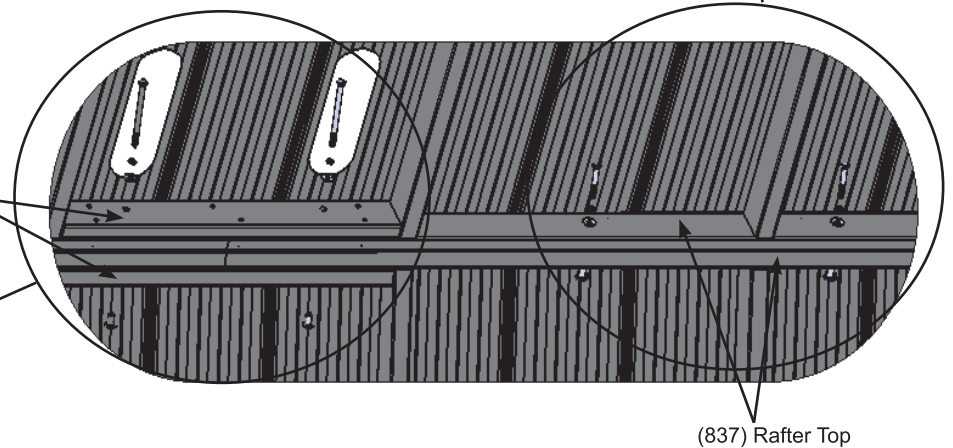
F9.7
1/4 x 2-3/4" Hex Bolt

1/4 - 5/16" Large Washer

1/4" Lock Nut

(837) Rafter Top

Fig. 9.5



(837) Rafter Top

F9.6
1/4" Lock Nut

1/4 - 5/16" Large Washer

(838) Rafter Brace

1/4 x 4-3/4" Hex Bolt

Hardware

2 x 1/4 x 4-3/4" Hex Bolt
(1/4-5/16" large washer x 2, 1/4" lock nut)

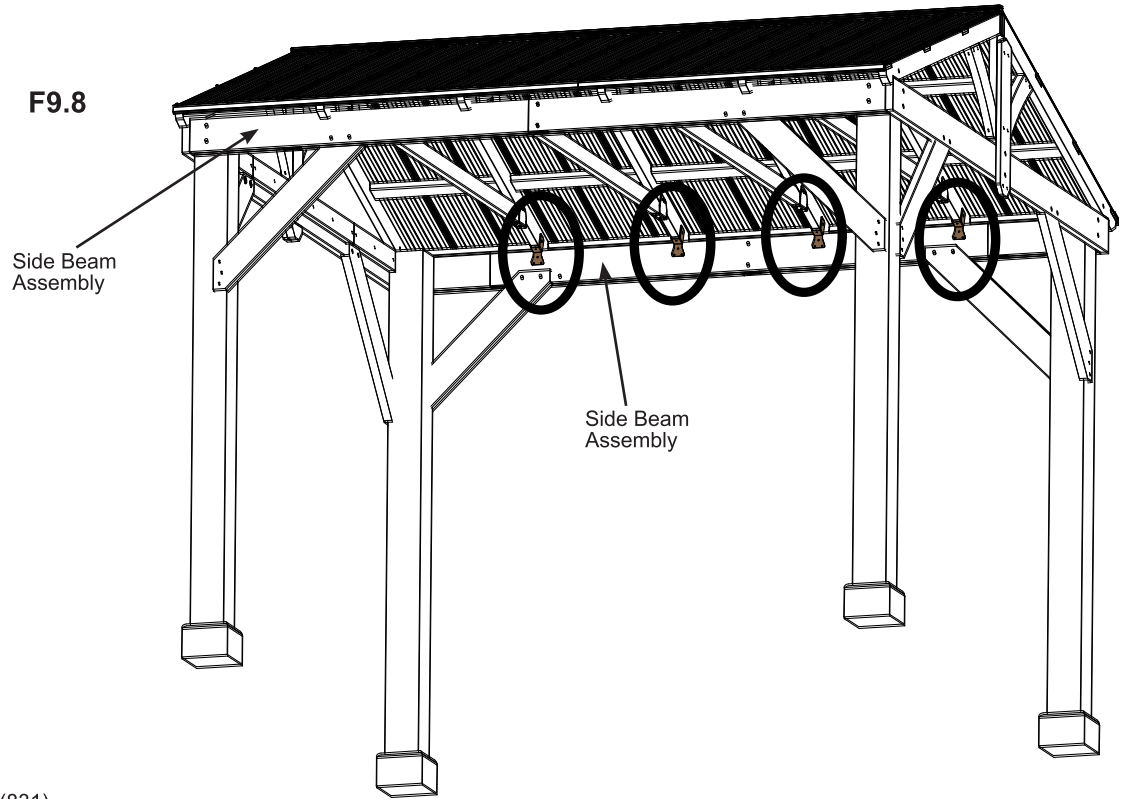
8 x 1/4 x 2-3/4" Hex Bolt
(1/4-5/16" large washer x 2, 1/4" lock nut)

Step 9: Attach Roof Panels to Frame Part 3

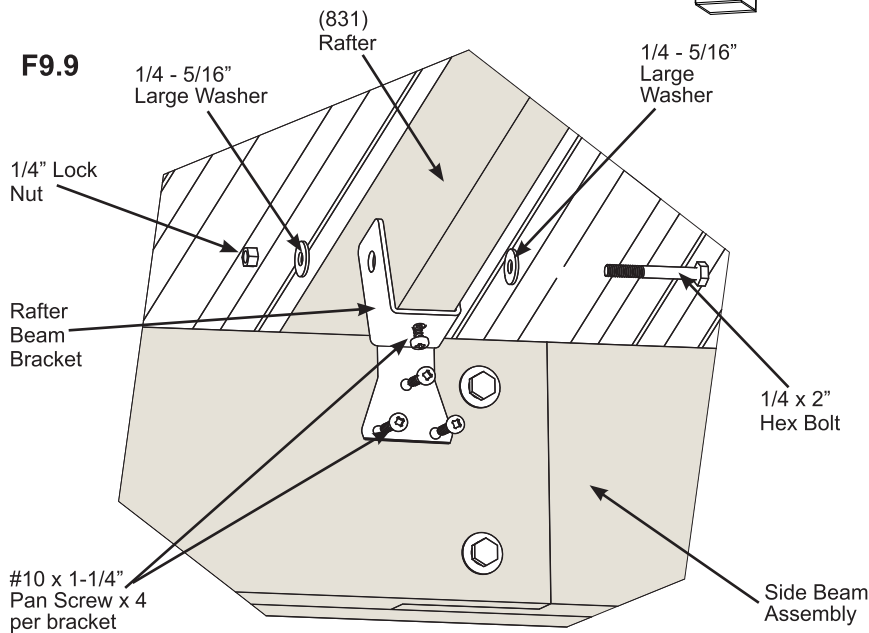


D: Loosely attach each of the centre (831) Rafters to the inside of each Side Beam Assembly with one Rafter Beam Bracket per (831) Rafter using one 1/4 x 2" Hex Bolt (with two 1/4-5/16" large washer and one 1/4" lock nut) per bracket. Push up on the centre of the Roof Panels so the notches in (831) Rafters are tight to the Side Beam Assembly then attach four #10 x 1-1/4" Pan Screws per bracket. Once screws are installed tighten bolts. (F9.8, F9.9 and F9.10)

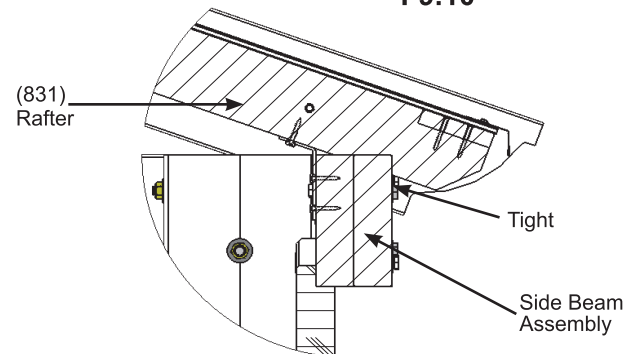
F9.8



F9.9



F9.10



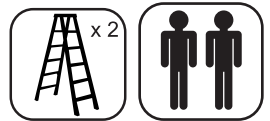
Components

8 x Rafter Beam Bracket

Hardware

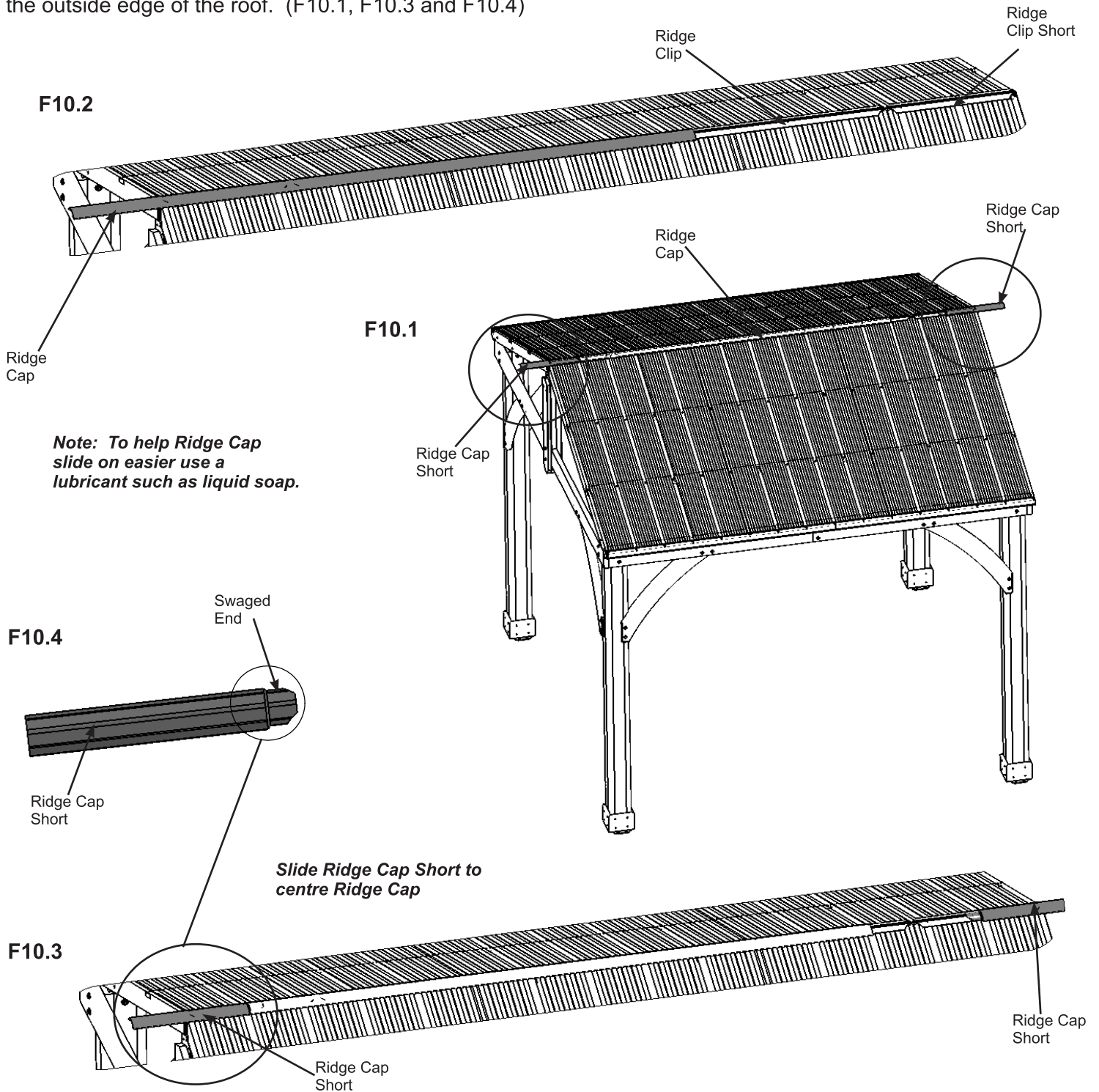
8 x 1/4 x 2" Hex Bolt (1/4-5/16" large washer x 2, 1/4" lock nut)
32 x #10 x 1-1/4" Pan Screw

Step 10: Attach Ridge Caps Part 1



A: Slide Ridge Cap over the Ridge Clips towards the centre of the roof. (F10.1 and F10.2)

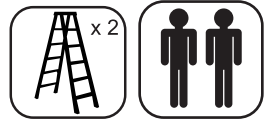
B: With the swaged end facing in slide one Ridge Cap Short at each end of the roof over the Ridge Clips. Use the swaged end to help push the Ridge Cap to the centre of the roof. Each Ridge Cap Short should be flush to the outside edge of the roof. (F10.1, F10.3 and F10.4)



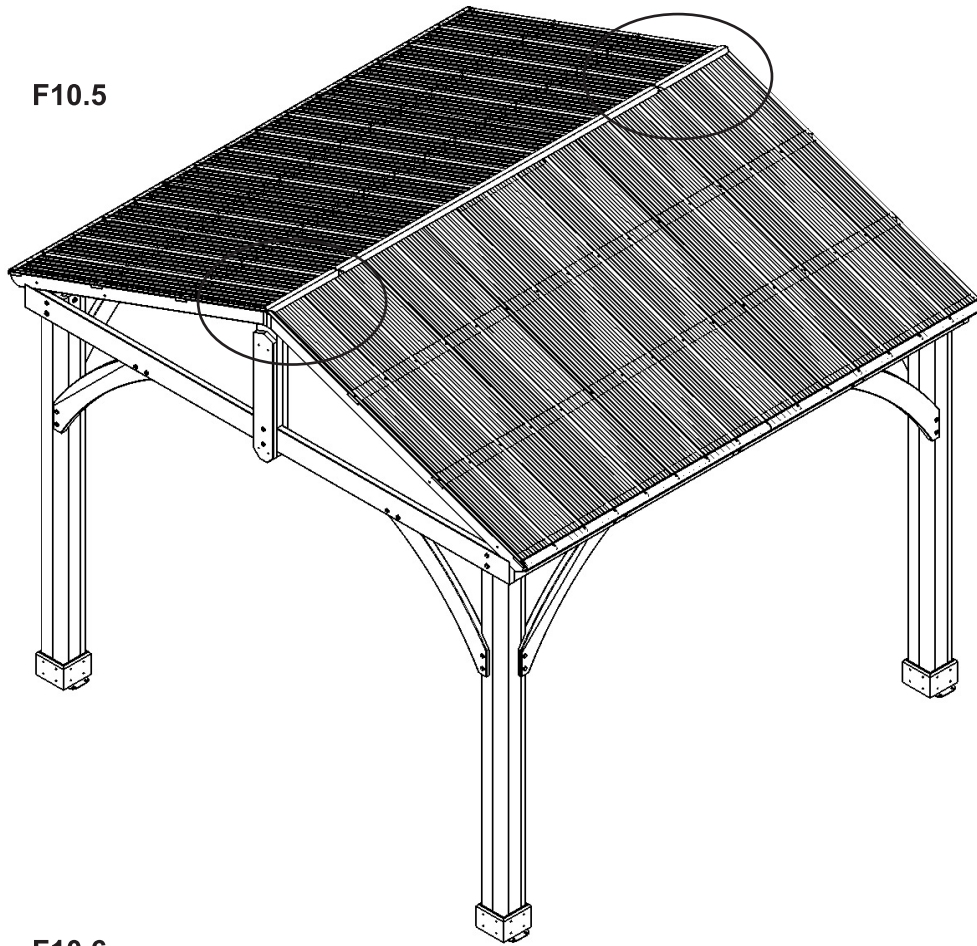
Components:

- 1 x Ridge Cap
- 2 x Ridge Cap Short

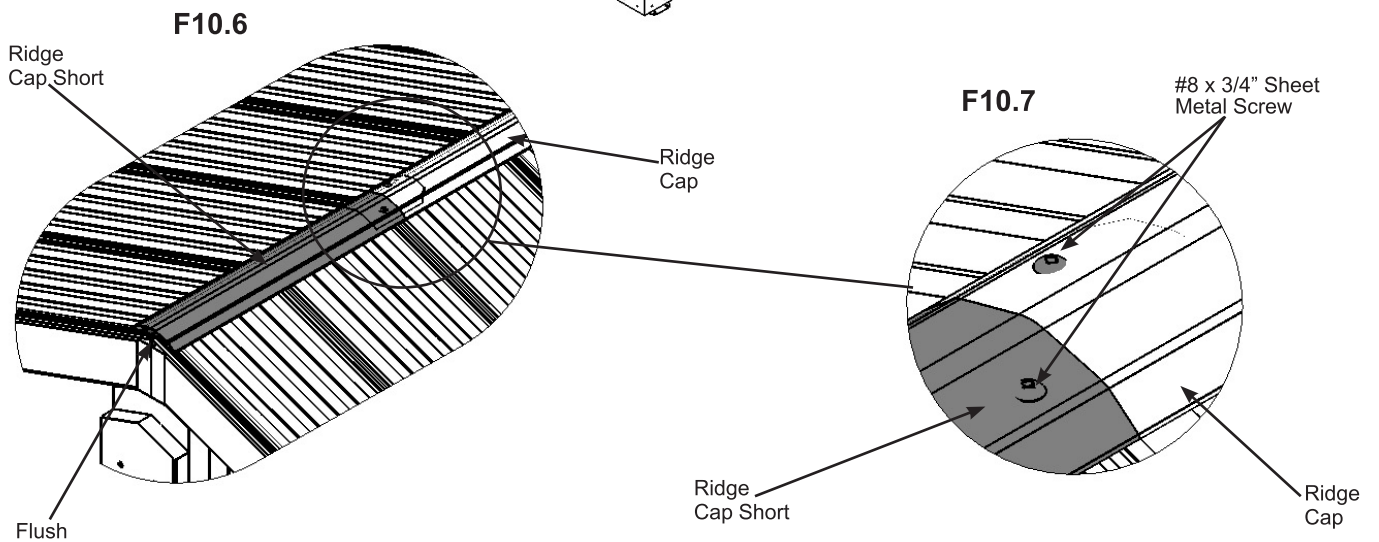
Step 10: Attach Ridge Caps Part 2



C: Make sure the Ridge Cap Shorts are flush to the outside edge of the roof then attach each end of the Ridge Cap to each Ridge Cap Short with two #8 x 3/4" Sheet Metal Screws per side. (F10.5, F10.6 and F10.7)



F10.5



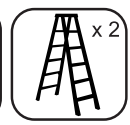
F10.6

F10.7

Hardware

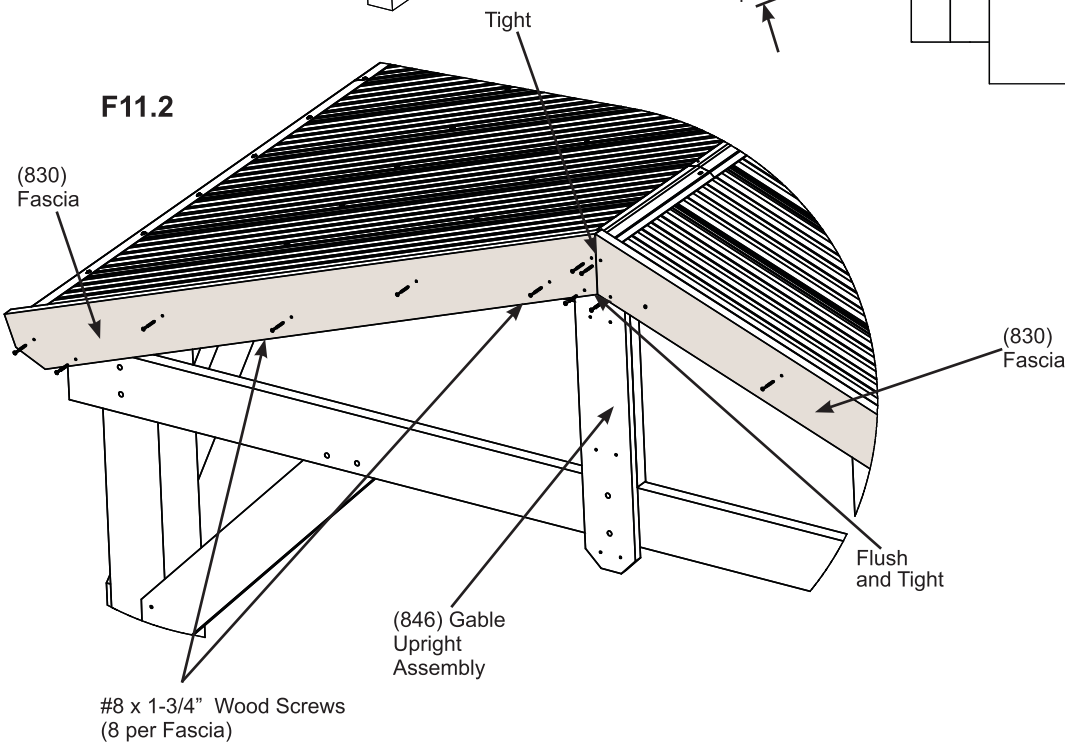
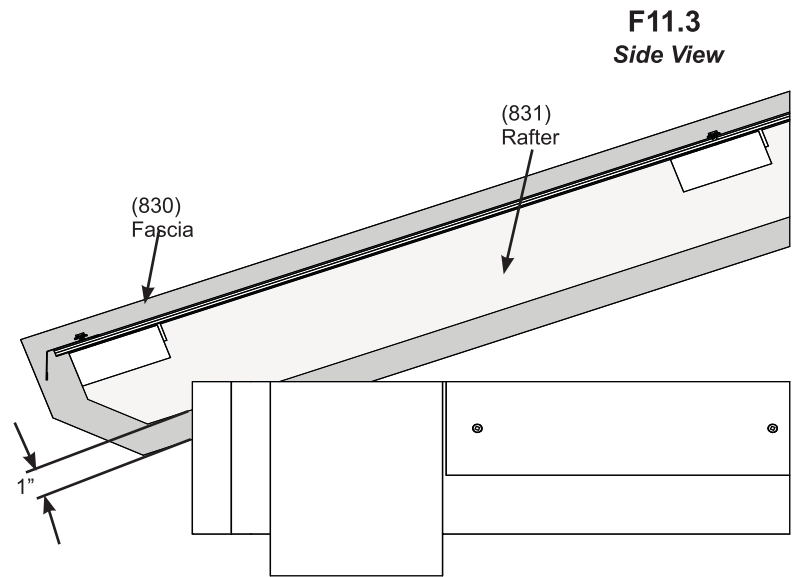
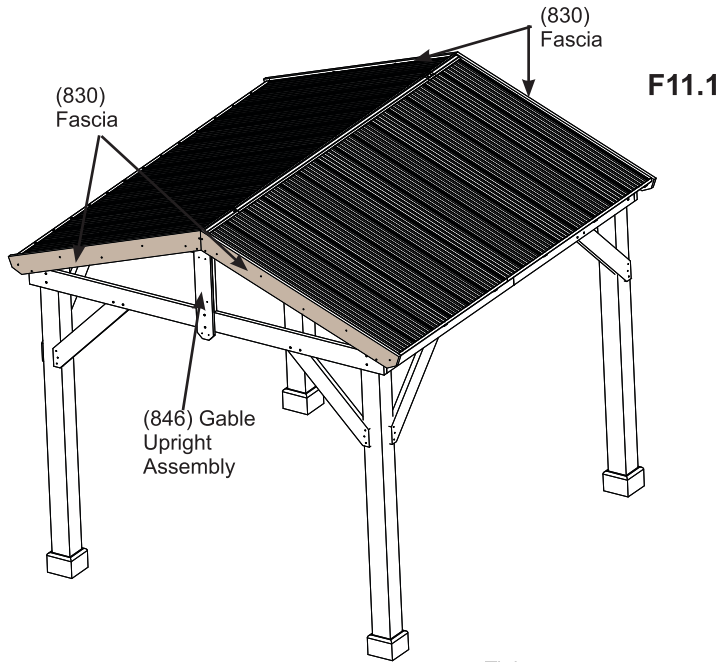
4 x #8 x 3/4" Sheet Metal Screw

Step 11: Attach Gable Ends



A: On one side of the assembly place two (830) Fascia against the outside (831) Rafters so the peaks meet in the centre and they are tight and flush to the top and edge of (846) Gable Upright Assembly. Bottom of (830) Fascia to bottom of (831) Rafter should measure 1" all along each (830) Fascia. Attach with eight #8 x 1-3/4" Wood Screws per (830) Fascia. (F11.1, F11.2 and F11.3)

B: Repeat for the other side of the assembly.



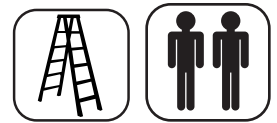
Wood Parts

4 x (830) Fascia

Hardware

32 x #8 x 1-3/4" Wood Screw

Step 12: Attach Gable Gussets

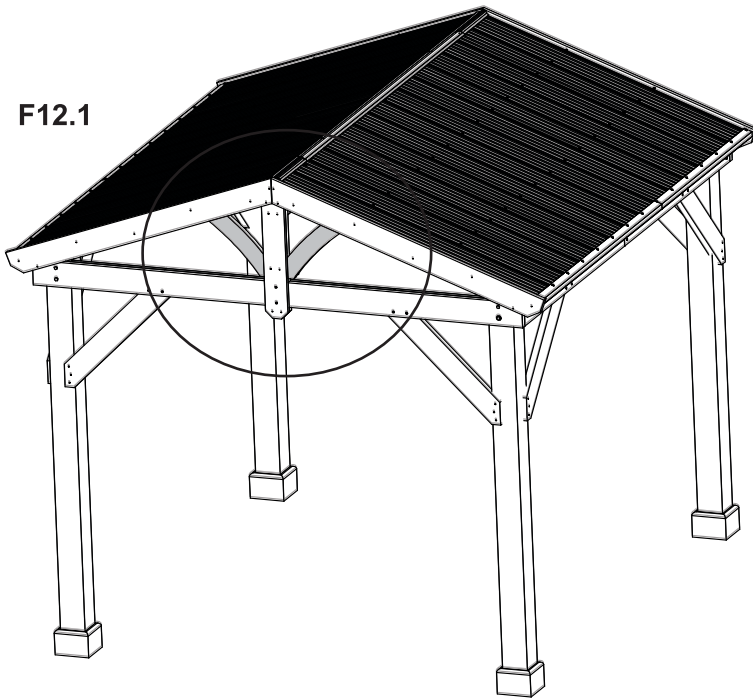


A: From inside the assembly place one (847) Gable Gusset tight to each side of (846) Gable Upright Assembly so it is resting on (830) Fascia, tight and flush to (831) Rafter. (F12.1 and F12.2)

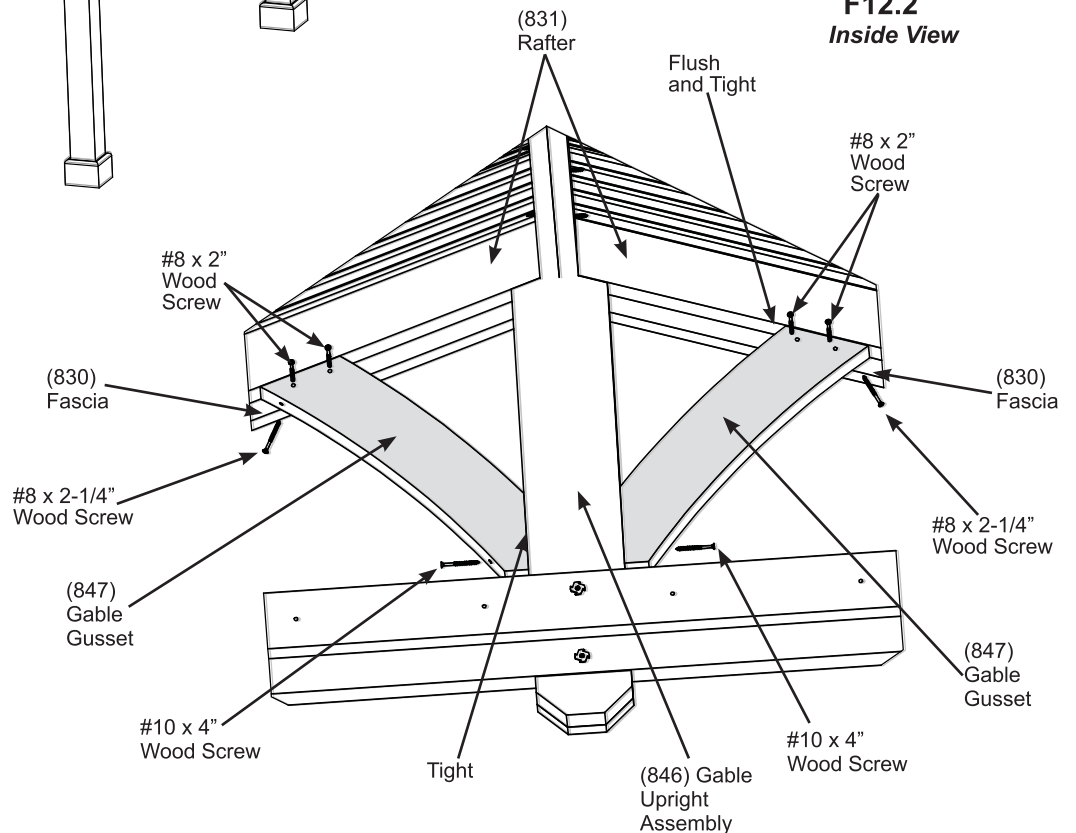
B: Attach each (847) Gable Gusset to (830) Fascia with two #8 x 2" Wood Screws per gusset and to (846) Gable Upright Assembly with one #10 x 4" Wood Screw per gusset. (F12.1 and F12.2)

C: Attach each (847) Gable Gusset to (831) Rafter with one #8 x 2-1/4" Wood Screw per gusset from the edge of the gusset into the rafter. (F12.1 and F12.2)

F12.1



F12.2
Inside View



Wood Parts

4 x (847) Gable Gusset

Hardware

8 x #8 x 2" Wood Screw

4 x #8 x 2-1/4" Wood Screw

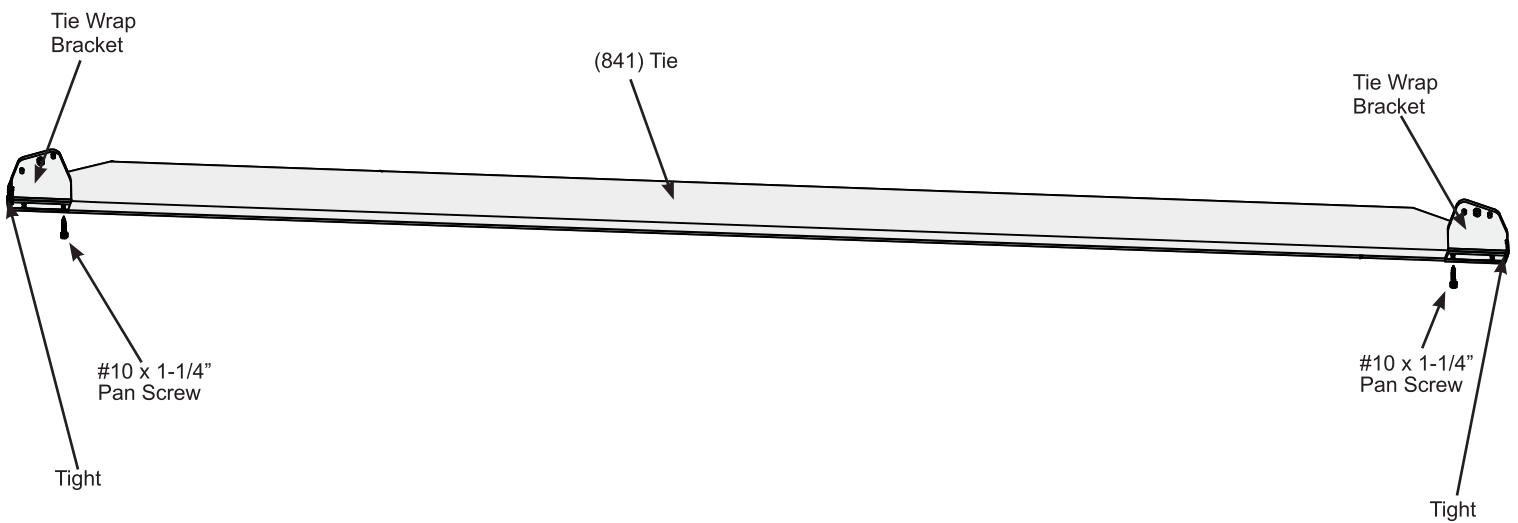
4 x #10 x 4" Wood Screw

Step 13: Truss Assemblies

Part 1

A: Attach one Tie Wrap Bracket to each end of one (841) Tie with one #10 x 1-1/4" Pan Screw per bracket using the inside holes. (841) Tie is tight to end of bracket. Repeat to complete 3 more times. (F13.1)

F13.1



Wood Parts

4 x (841) Tie

Components:

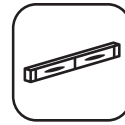
8 x Tie Wrap Bracket

Hardware

8 x #10 x 1-1/4" Pan Screw

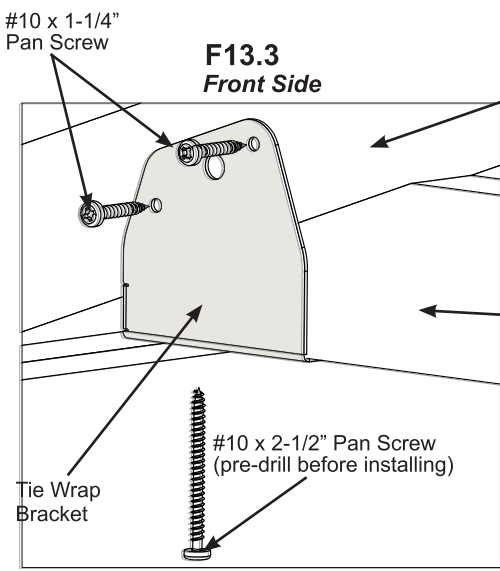
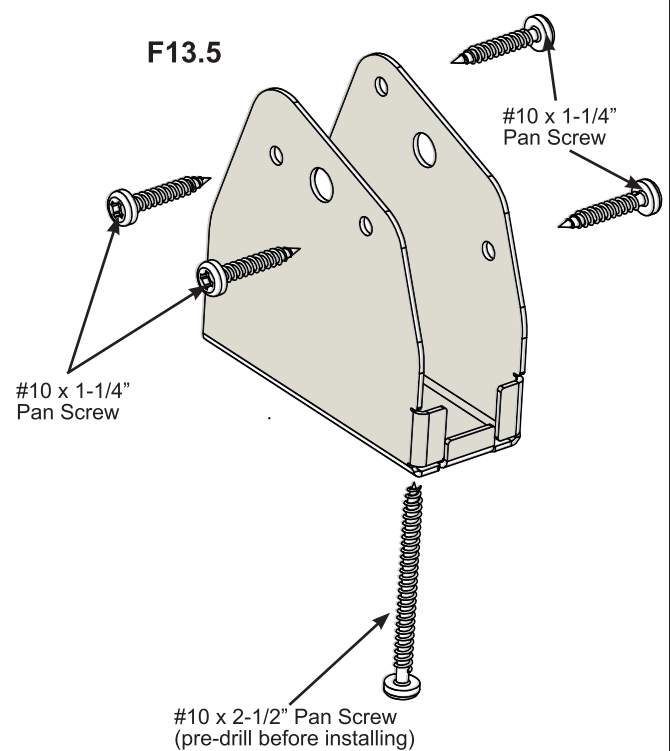
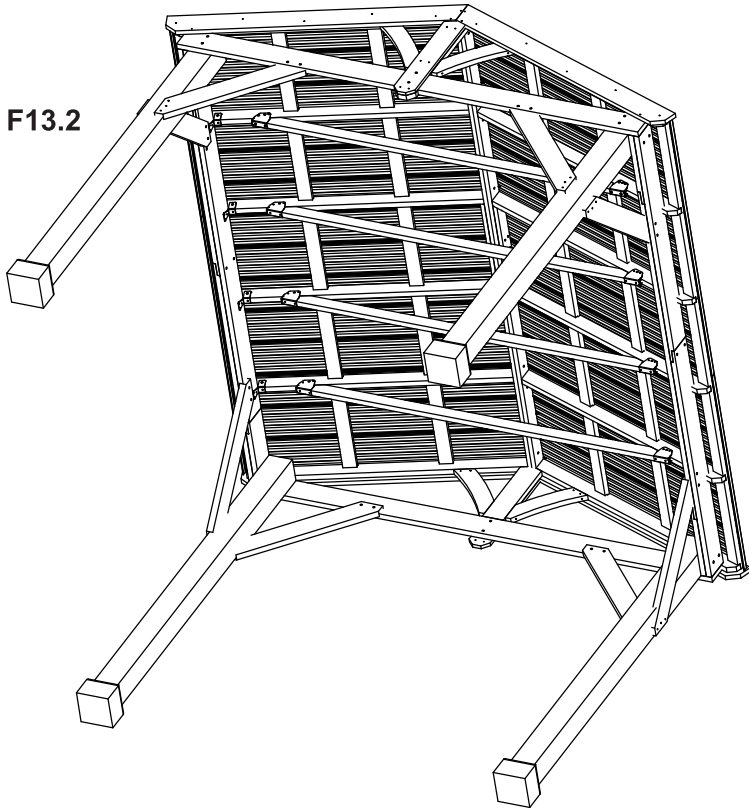
Step 13: Truss Assemblies

Part 2



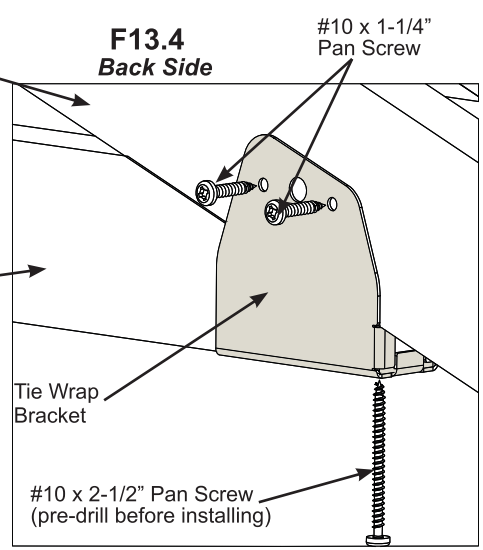
B: With a helper place (841) Ties with brackets tight against (831) Rafters. Make sure (841) Ties are level then attach Tie Wrap Brackets to (831) Rafters with two #10 x 1-1/4" Pan Screws on both sides of each bracket. (F13.2, F13.3, F13.4 and F13.5)

C: Pre-drill with a 1/8" drill bit and secure Tie Wrap Brackets to (841) Tie and (831) Rafter with one #10 x 2-1/2" Pan Screw per bracket. (F13.3, F13.4 and F13.5)



(831) Rafter

(841) Tie



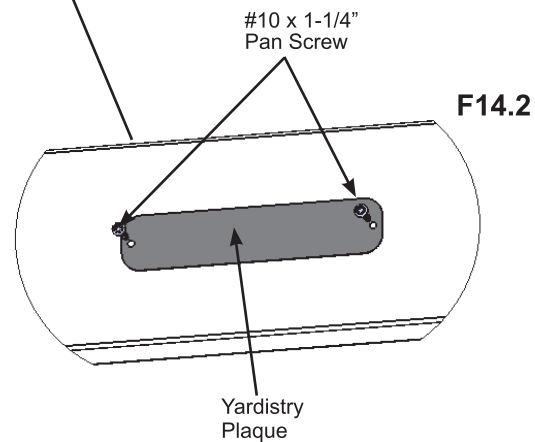
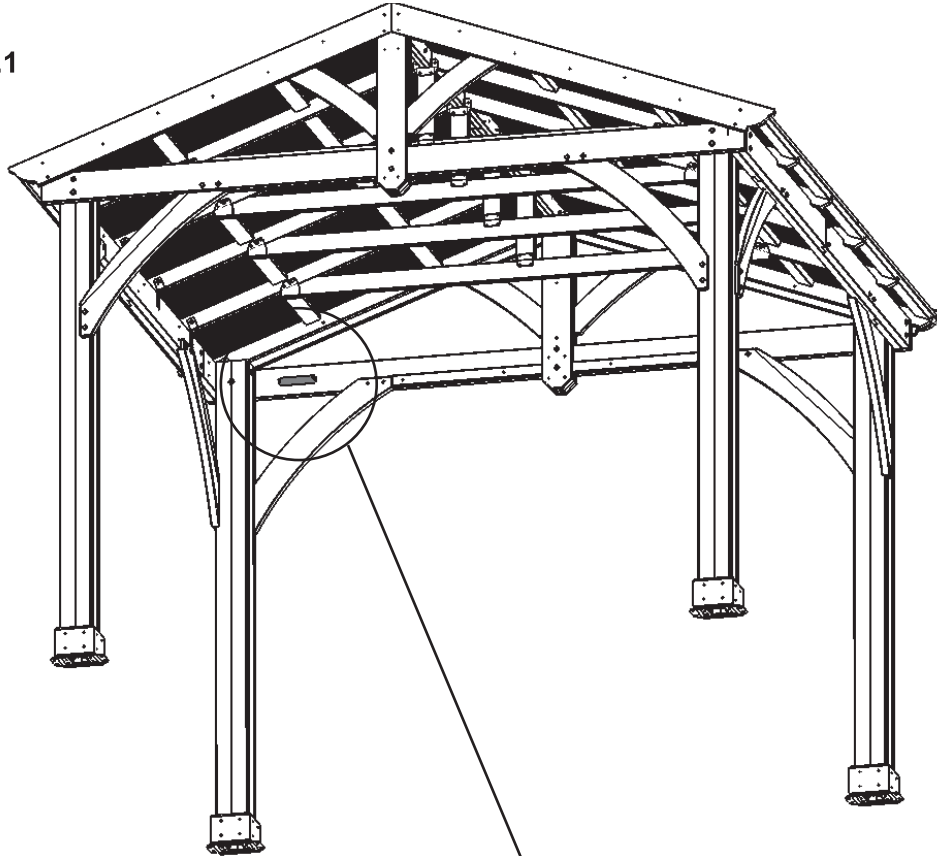
Hardware

- 32 x #10 x 1-1/4" Pan Screw
- 8 x #10 x 2-1/2" Pan Screw

Step 14: Attach Plaque

A: Attach Yardistry Plaque to a prominent location on your Pavilion with two #10 x 1-1/4" Pan Screws. This provides warnings concerning safety and important contact information. A tracking number is provided to allow you to get critical information or order replacement parts for this specific model. (F14.1 and F14.2)

F14.1



Components:

1 x Yardistry Plaque

Hardware

2 x #10 x 1-1/4" Pan Screw

NOTES



Customer Registration Card - Tarjeta de Registro del Cliente - Carte d'inscription du client

First Name - Primer Nombre - Prénom	Initial - Inicial - Initiale	Last Name - Apellido - Nom de famille

Street - Calle - Rue	PO Box - Casilla postal - Boîte postale	Apt. No. - App.

City - Ciudad - Ville	State/Province - Estado/Provincia - État/Province

ZIP/Postal Code - Código Postal - ZIP/Code postal	Country - País - Pays

E-mail Address - Dirección de E-mail - Adresse courriel	Telephone Number - No. de Teléfono - N° de téléphone

Model Name - Nombre del Modelo - Nom du modèle	Model Number (from front cover) - Número de Modelo (de la portada) - N° du modèle (page de couverture)

Date of Purchase - Fecha de Compra - Date d'achat (mm/dd/yyyy) (mm/dd/aaaa) (mm/jj/aaaa)	Place of Purchase - Comprado a - Lieu d'achat

Comments - Comentarios - Commentaires:

Mail To - Enviar por Correo a - Envoyer par courrier à:

Yardistry
375 Sligo Road West, PO Box 10
Mount Forest, Ontario, Canada, N0G 2L0
Attention: Consumer Relations
Atención a: Servicio de Atención al Cliente
À l'attention de: Service à la clientèle

Online Registration - Registro online - Enregistrement en ligne:

<http://yardistrystructures.com/warranty.php>

Yardistry would like to say "Thank you" for your time and feedback.

Yardistry quiere "Agradecerle" por su tiempo y su opinión.

Yardistry aimerait vous remercier d'avoir pris le temps de répondre au sondage.