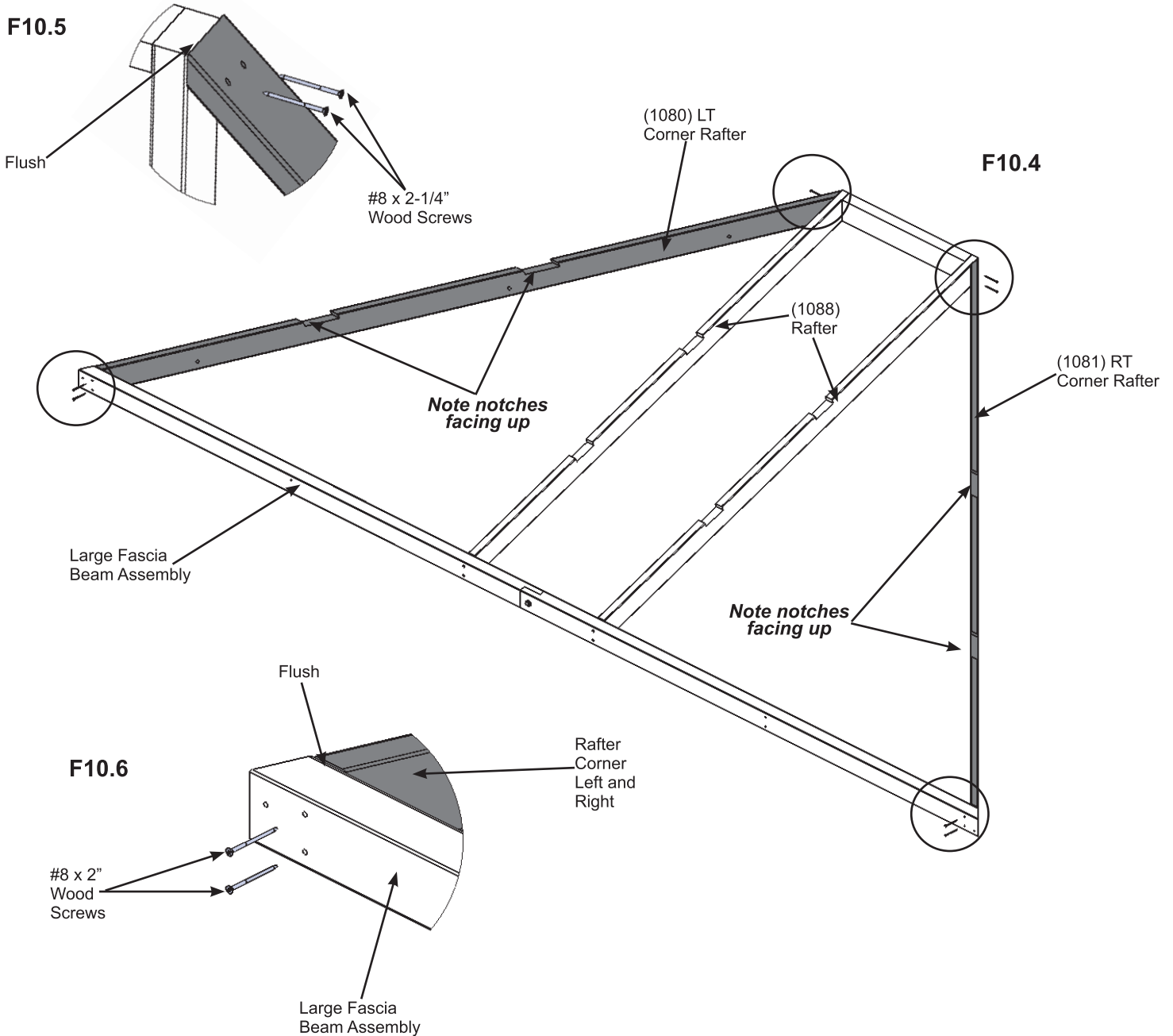


# Step 10: Large Roof Rafter Assembly Part 2

**D:** Beside each (1088) Rafter place one (1080) LT Corner Rafter and one (1081) RT Corner Rafter so the tops and edges are flush and the bottom edges are flush to Large Fascia Beam Assembly then attach with two #8 x 2-1/4" Wood Screws to the top and and two #8 x 2" Wood Screws in the bottom of the rafters per side. (F10.4, F10.5 and F10.6)

**E:** Repeat Step D for the second Large Roof Rafter Assembly.



### Wood Parts

- 2 x (1080) LT Corner Rafter
- 2 x (1081) RT Corner Rafter

### Hardware

- 8 x #8 x 2-1/4" Wood Screw
- 8 x #8 x 2" Wood Screw

# Step 10: Large Roof Rafter Assembly Part 3

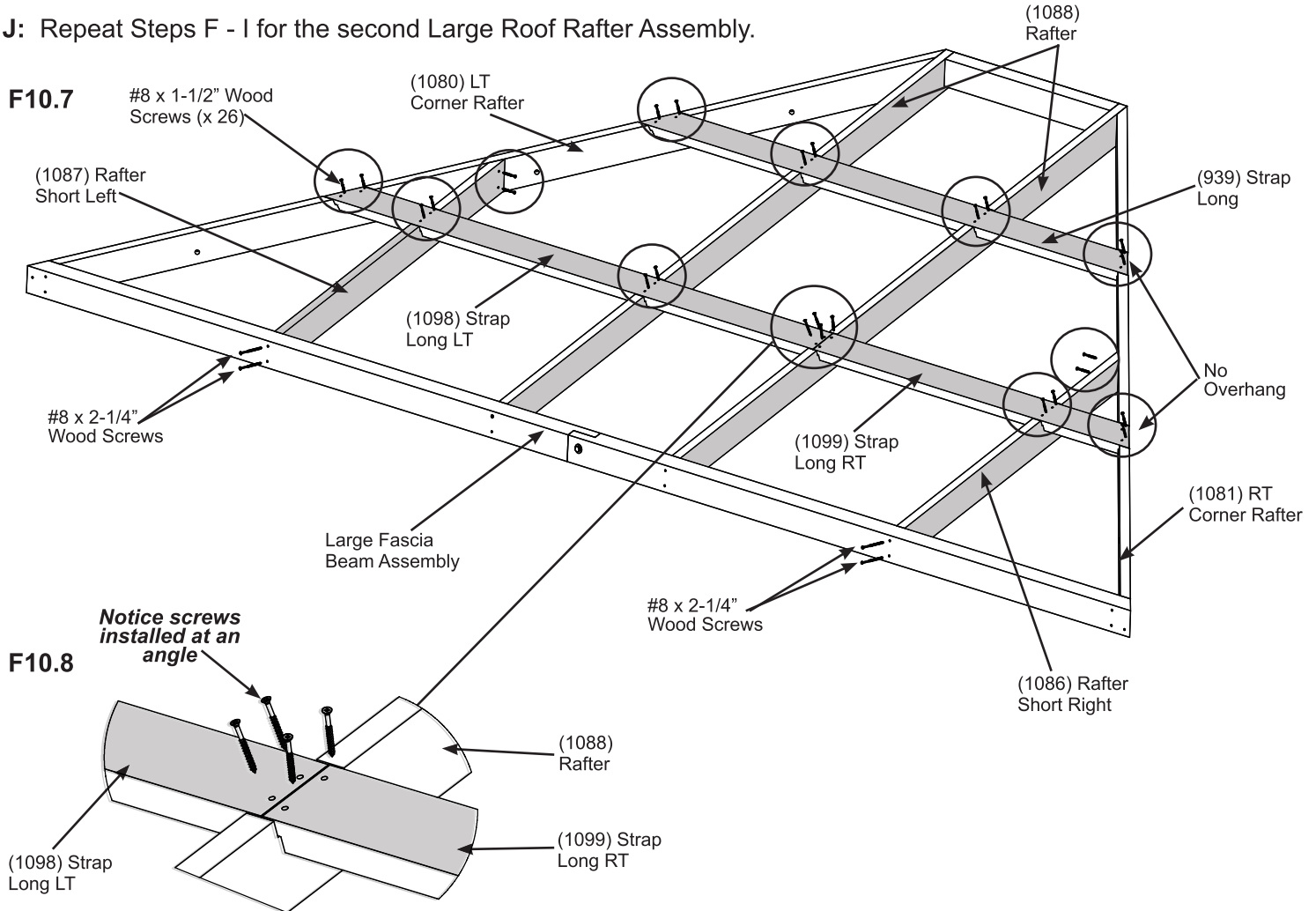
**F:** Place one (939) Strap Long in the notches of (1080) LT Corner Rafter, (1081) RT Corner Rafter and both (1088) Rafters so the ends do not overhang the outside edges of the outside boards then attach with eight #8 x 1-1/2" Wood Screws. (F10.7)

**G:** Place one (1098) Strap Long LT in the notches of (1080) LT Corner Rafter and both (1088) Rafters and one (1099) Strap Long RT in the notches of (1081) RT Corner Rafter and one (1088) Rafter, tight to (1098) Strap Long LT. Make sure the ends do not overhang the outside edges of the outside boards. Boards are tight in the centre. Attach both boards with ten #8 x 1-1/2" Wood Screws. Notice screws are installed at an angle where (1098) Strap Long LT and (1099) Strap Long RT meet. (F10.7 and F10.8)

**H:** Place one (1086) Rafter Short Right in the notches of (1099) Strap Long RT and one (1087) Rafter Short Left in the notches of (1098) Strap Long LT and attach to (1080) LT Corner Rafter and (1081) RT Corner Rafter with two #8 x 1-1/2" Wood Screws per board and to Large Fascia Beam Assembly with two #8 x 2-1/4" Wood Screws per board. (F10.7)

**I:** Attach (1098) Strap Long LT to (1087) Rafter Short Left and (1099) Strap Long RT to (1086) Rafter Short Right with two #8 x 1-1/2" Wood Screws per board. (F10.7)

**J:** Repeat Steps F - I for the second Large Roof Rafter Assembly.



### Wood Parts

- 2 x (939) Strap Long
- 2 x (1086) Rafter Short Right
- 2 x (1087) Rafter Short Left
- 2 x (1098) Strap Long LT
- 2 x (1099) Strap Long RT

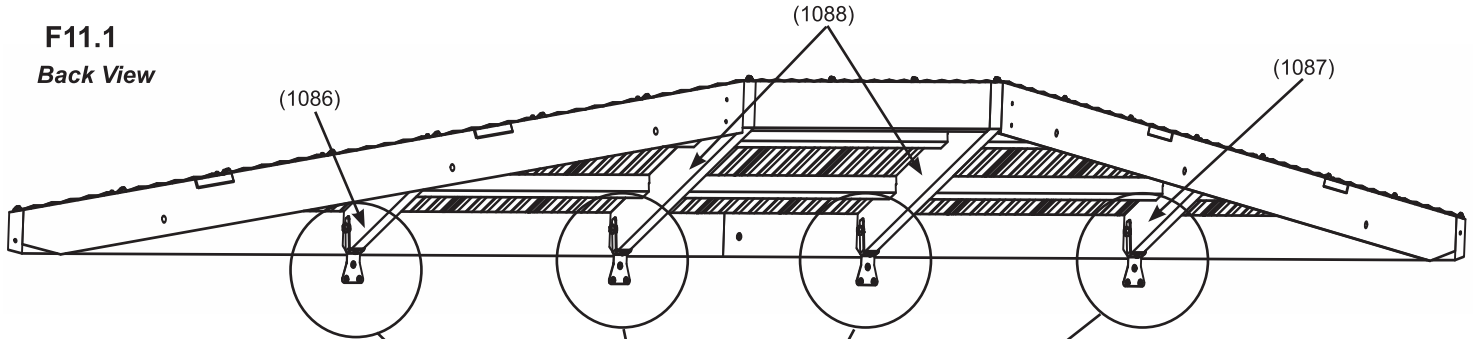
### Hardware

- 52 x #8 x 1-1/2" Wood Screw
- 8 x #8 x 2-1/4" Wood Screw

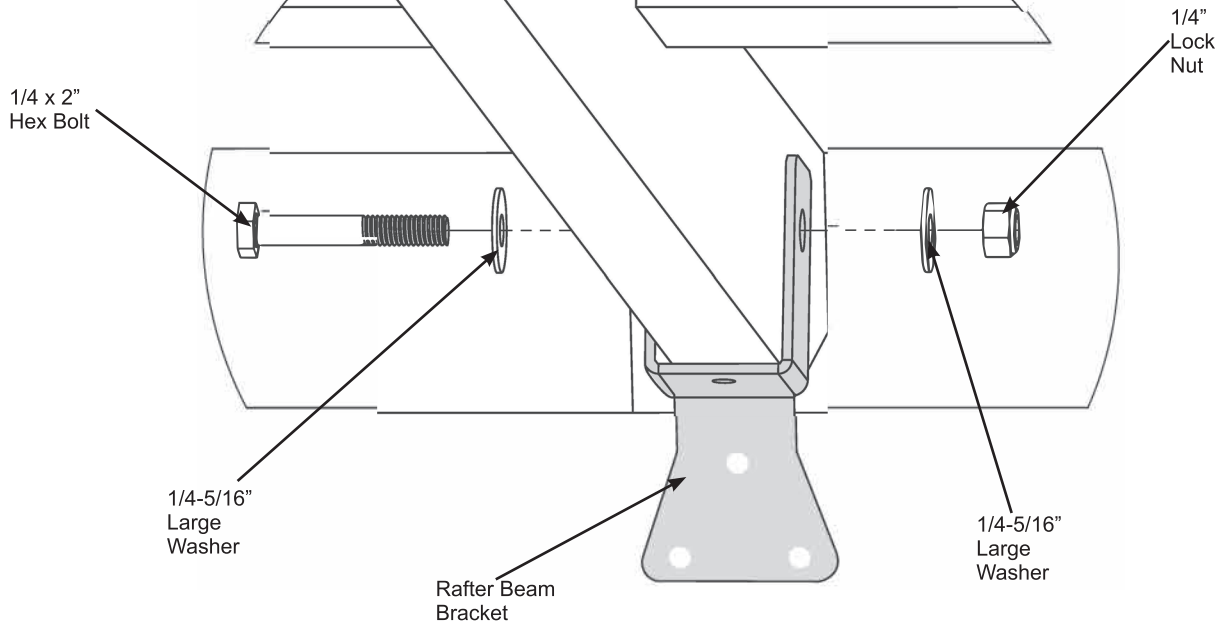
# Step 11: Attach Rafter Beam Brackets - Large Roof Rafter Assembly

**A:** On the Back of both Large Roof Rafter Assemblies place one Rafter Beam Bracket on (1086) Rafter Short Right, (1087) Rafter Short Left and both (1088) Rafters. Loosely attach each bracket to rafters with one 1/4 x 2" Hex Bolt (with two 1/4-5/16" large washers and one 1/4" lock nut). (F11.1 and F11.2)

**F11.1**  
*Back View*



**F11.2**

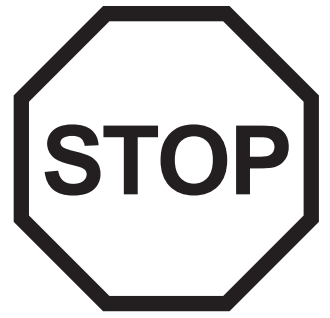
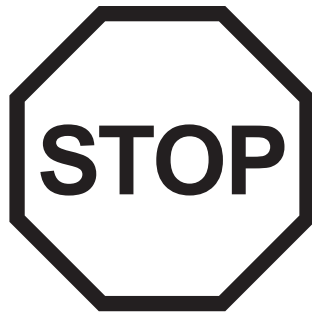


**Components:**

8 x Rafter Beam Bracket

**Hardware**

8 x 1/4 x 2" Hex Bolt  
(1/4-5/16" large washer x 2, 1/4" lock nut)



# INSTALLING ROOFING MATERIAL

---

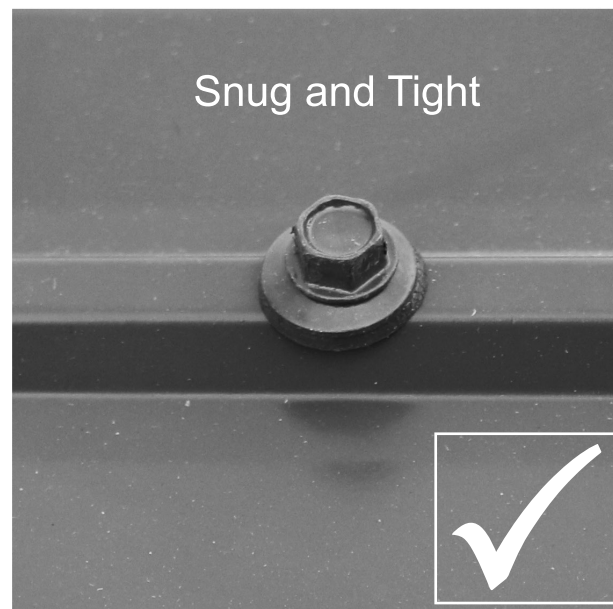
## CAUTION!

Roofing material may have sharp edges! Wear gloves!

## HANDLE WITH CARE!

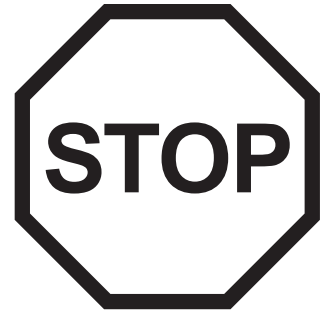
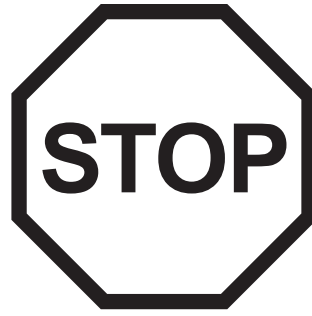
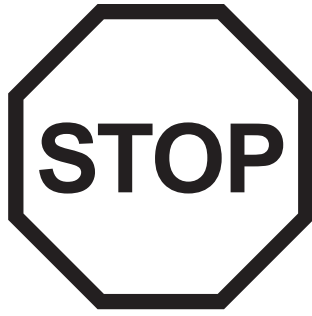
Place roofing material on a non-abrasive surface before assembly as it can bend, dent and scratch easily.

**WARNING – DO NOT OVER TIGHTEN ROOFING SCREWS!  
Over tightening screws will cause roofing material to crush.**



The roofing screws can easily crush the Roof Panels and Roof Edges when using a power drill. We recommend hand tightening the roofing screws so that they sit snug and tight to the roofing material.





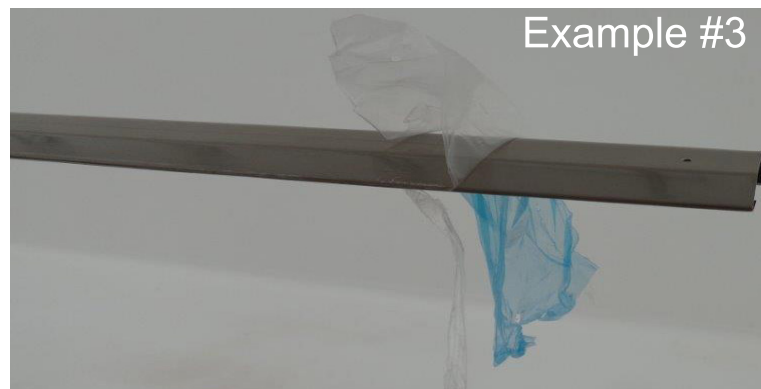
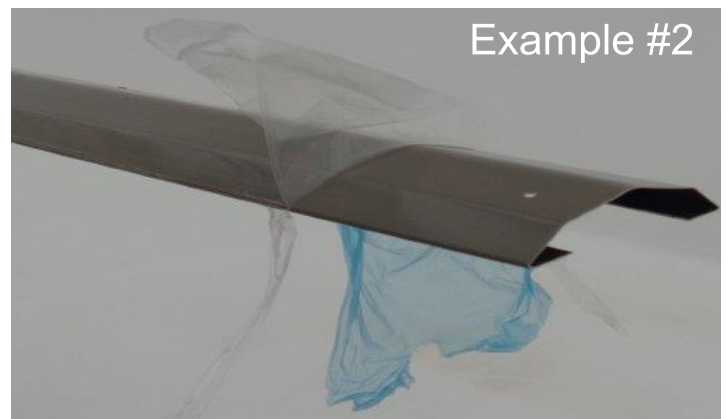
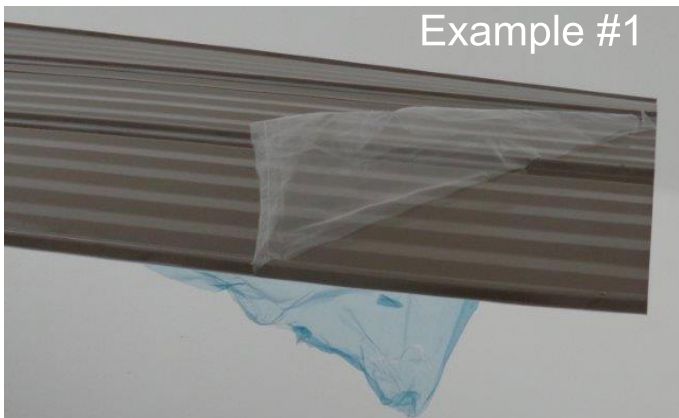
# INSTALLING ROOFING MATERIAL

---

## CAUTION!

Roofing material may have sharp edges! Wear gloves!

**BE SURE TO REMOVE ALL PLASTIC COVERING, ON BOTH SIDES OF THE ALUMINUM PANELS AND TRIM, DIRECTLY BEFORE INSTALLING EACH PIECE. *(One side is clear and the other is blue, both must be removed.)***



# Step 12: Attach Roof Panels - Small Roof

## Part 1

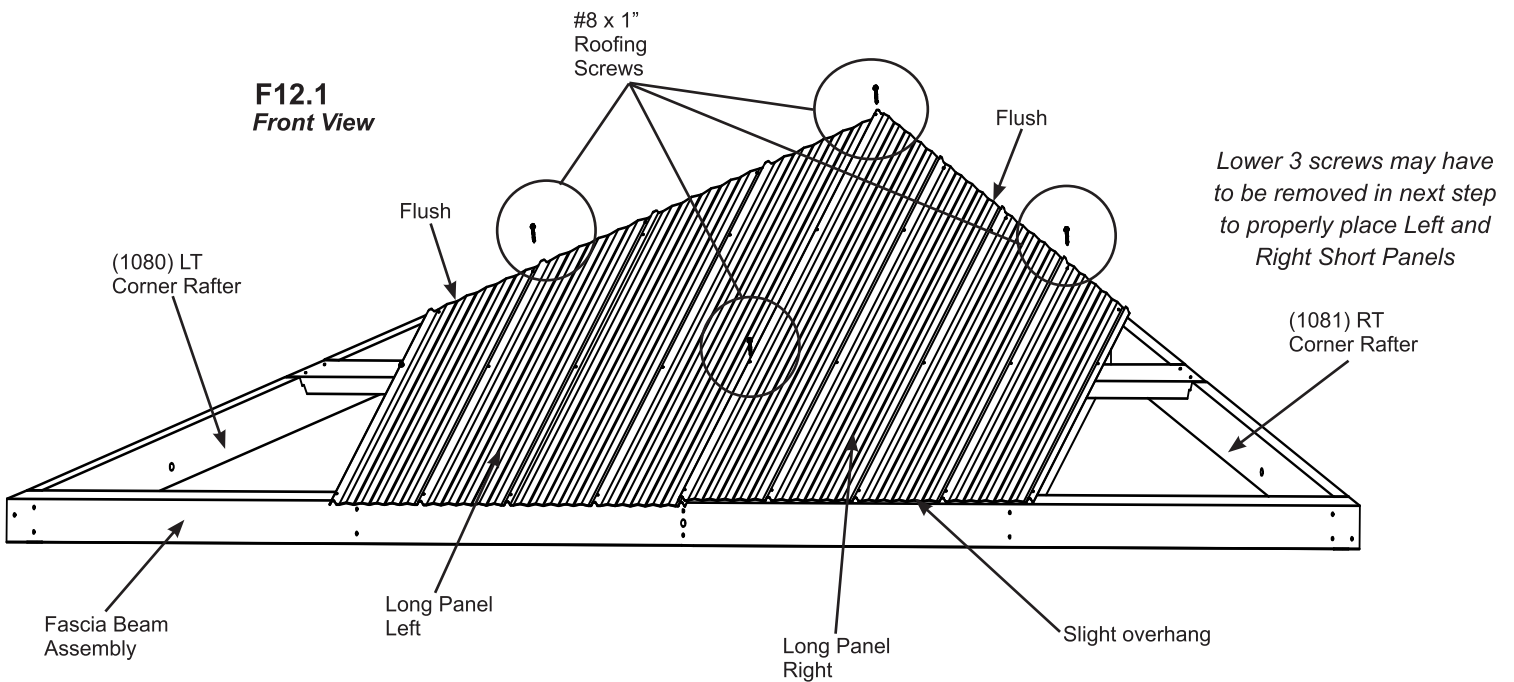
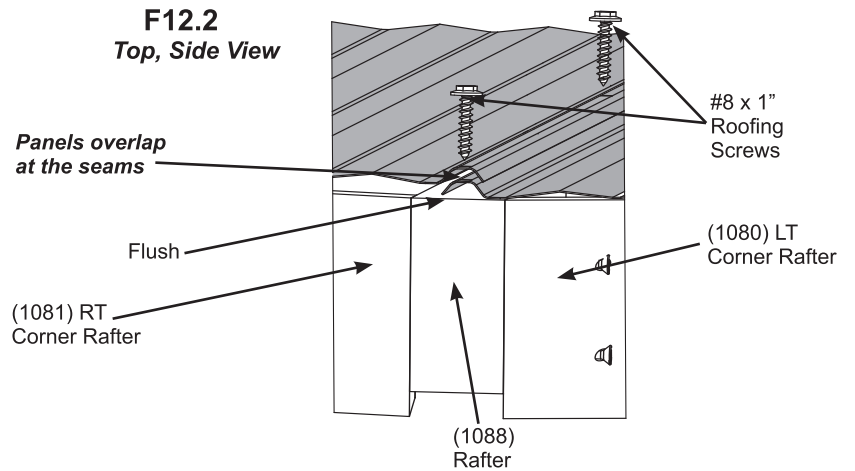
**A:** Place one Long Panel Left on the front of one Small Roof Rafter Assembly so it is flush to the side of (1080) LT Corner Rafter and a slight overhang at the bottom of the Fascia Beam Assembly. Holes should line up with (1088) Rafter. (F12.1 and F12.2)

**B:** Place one Long Panel Right on Small Roof Rafter Assembly so it overlaps the Long Panel Left and it is flush to the side of (1081) RT Corner Rafter and a slight overhang at the bottom of the Fascia Beam Assembly. (F12.1 and F12.2)

**C:** Attach both Left and Right Long Panels to Small Roof Rafter Assembly with four #8 x 1" Roofing Screws in locations shown in F12.1. Be sure not to overtighten screws.

**D:** Repeat Steps A - C for both Small Roof Rafter Assemblies.

**DO NOT overtighten screws, could cause damage to roofing material**



### Roof Parts

2 x Long Panel Left  
2 x Long Panel Right

### Hardware

8 x #8 x 1" Roofing Screw

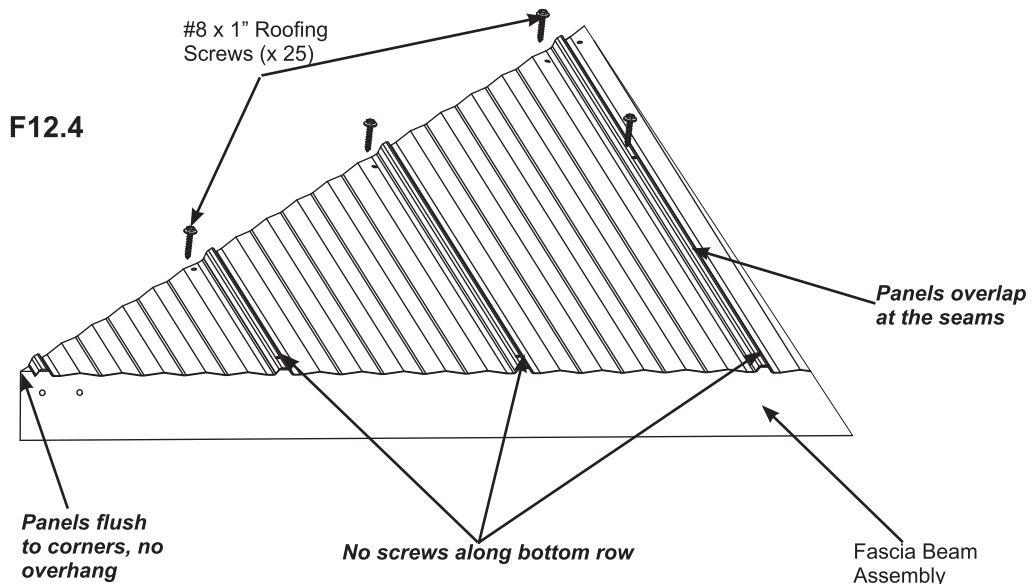
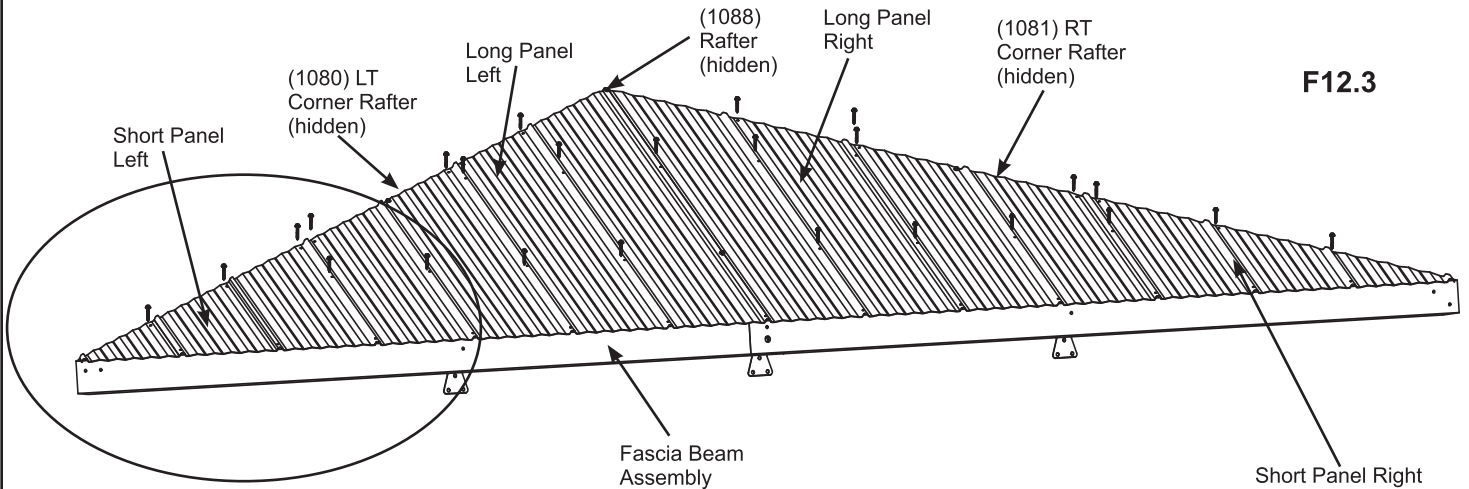
# Step 12: Attach Roof Panels - Small Roof Part 2

**E:** Place one Short Panel Left on Small Roof Rafter Assembly so it overlaps the Long Panel Left and it is flush to the sides of (1080) LT Corner Rafter and a slight overhang at the bottom of the Fascia Beam Assembly. There should be no overhanging at the corners. (F12.3 and F12.4)

**F:** Place one Short Panel Right on Small Roof Rafter Assembly so it overlaps the Long Panel Right and it is flush to the side of (1081) RT Corner Rafter and a slight overhang at the bottom of the Fascia Beam Assembly. There should be no overhanging at the corners. (F12.3 and F12.4)

**G:** Attach all panels to Small Roof Rafter Assembly with 25 #8 x 1" Roofing Screws in locations shown in F12.3. Do not place any screws along the bottom row. Be sure not to overtighten screws.

**H:** Repeat Steps E - G for both Small Roof Rafter Assemblies.



**DO NOT overtighten screws, could cause damage to roofing material**

### Roof Parts

2 x Short Panel Left  
2 x Short Panel Right

### Hardware

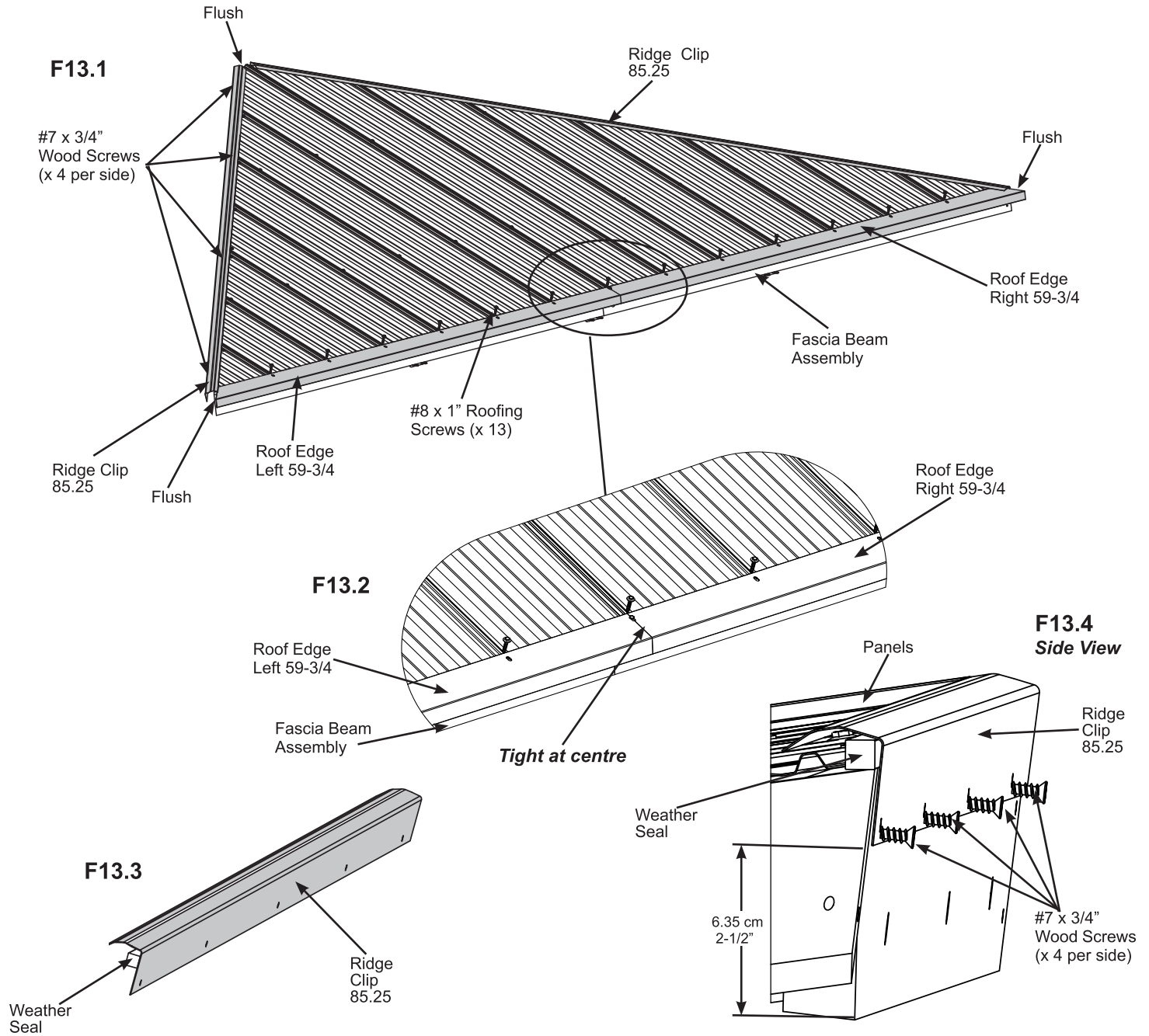
50 x #8 x 1" Roofing Screw

# Step 13: Attach Ridge Clips and Roof Edges - Small Roof



**A:** Place one Roof Edge Left 59-3/4 and one Roof Edge Right 59-3/4 on the bottom of each Small Roof Rafter Assembly so the ends are flush with the outside ends of the Fascia Beam Assembly and meet tight in the centre. Attach both Roof Edges with 13 #8 x 1" Roofing Screws per Small Roof Rafter assembly. (F13.1 and F13.2)

**B:** Place one Weather Seal on the inside of each Ridge Clip 85.25 then place one Ridge Clip 85.25 on each side of each Small Roof Rafter Assembly so they cover the panels and attach with four #7 x 3/4" Wood Screws per Ridge Clip 85.25. (F13.1, F13.3 and F13.4)



### Components:

- 2 x Roof Edge Left 59-3/4
- 2 x Roof Edge Right 59-3/4
- 4 x Ridge Clip 85.25
- 4 x Weather Seal

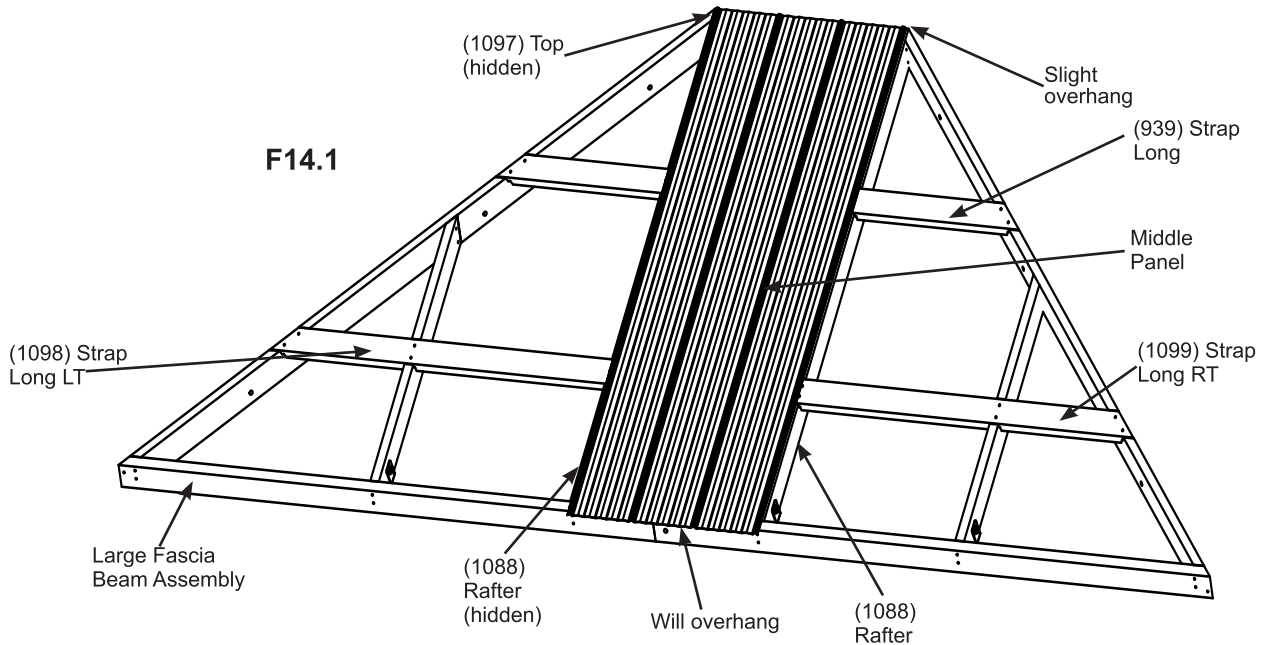
### Hardware

- 26 x #8 x 1" Roofing Screw
- 16 x #7 x 3/4" Wood Screw

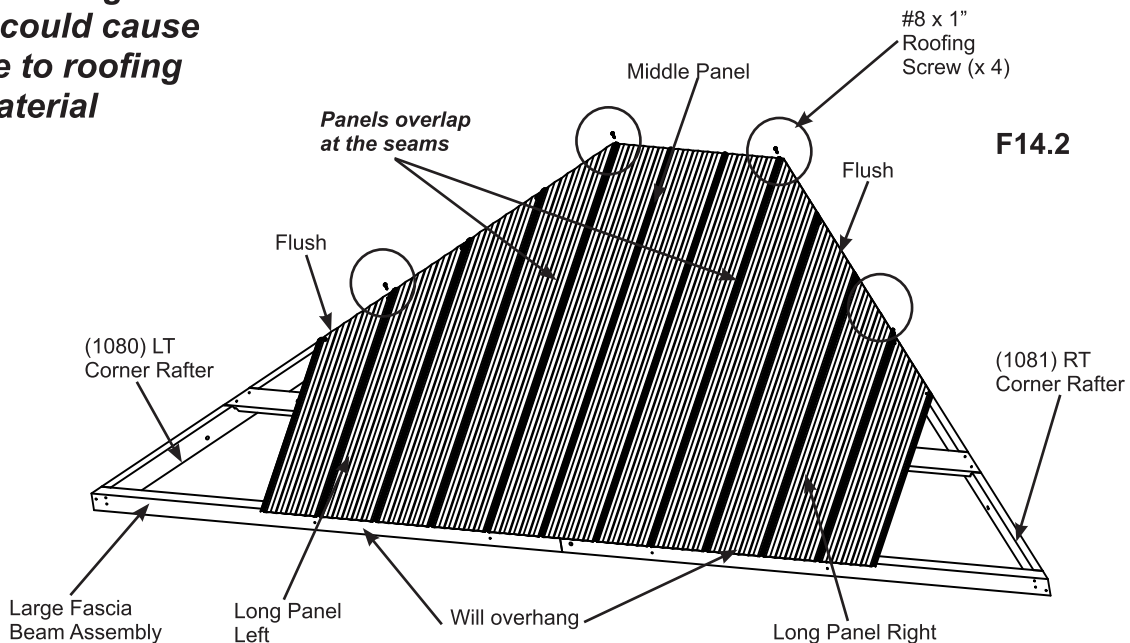
# Step 14: Attach Roof Panels - Large Roof Part 1

**A:** Place one Middle Panel on the front of one Large Roof Rafter Assembly so it slightly overhangs the top of (1097) Top and an overhang at the bottom of the Large Fascia Beam Assembly. Holes should line up with (1088) Rafter and (939), (1098) and (1099) Straps (F14.1)

**B:** Place one Long Panel Left and one Long Panel Right on each side of Middle Panel so they overlap the Middle Panel and are flush to the sides of (1080) LT Corner Rafter and (1081) RT Corner Rafter and an overhang at the bottom of the Large Fascia Beam Assembly. Attach with four #8 x 1" Roofing Screws per panel in the places shown below. Be sure not to overtighten screws. (F14.2)



**DO NOT overtighten screws, could cause damage to roofing material**



### Roof Parts

- 2 x Middle Panel
- 2 x Long Panel Left
- 2 x Long Panel Right

### Hardware

- 8 x #8 x 1" Roofing Screw



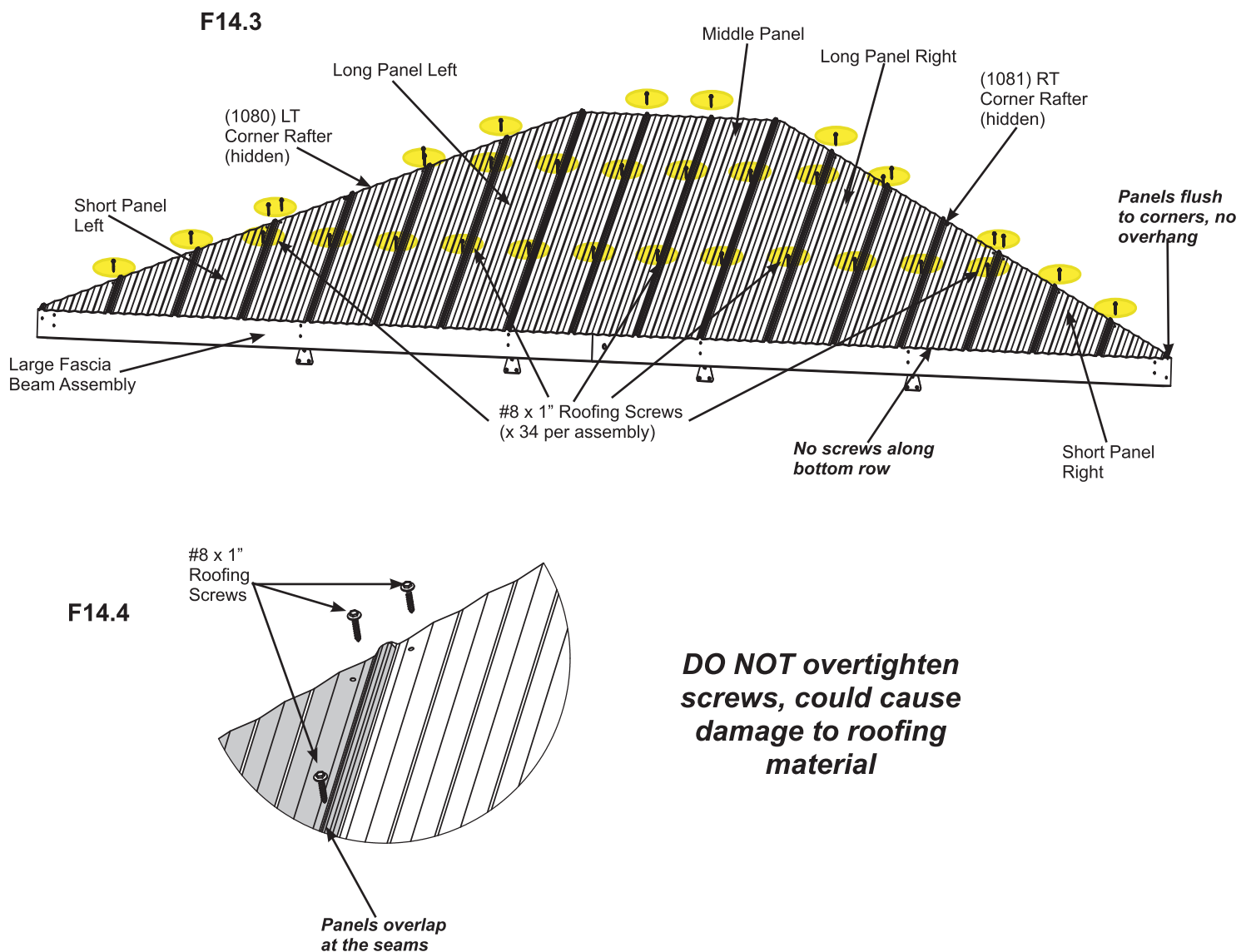
# Step 14: Attach Roof Panels - Large Roof Part 2

**C:** Place one Short Panel Left so it overlaps the Long Panel Left and it is flush to the sides of (1080) LT Corner Rafter and one Short Panel Right so it overlaps the Long Panel Right and it is flush to the side of (1081) RT Corner Rafter. There will be a slight overhang at the bottom of the Large Fascia Beam Assembly. There should be no overhang at the corners. (F14.3 and F14.4)

**D:** Make sure all panels fit properly then attach with 34 #8 x 1" Roofing Screws. Be sure not to overtighten screws (F14.3 and F14.4)

**Notice there are no screws along the bottom row.**

**E:** Repeat Steps A - D for both Large Roof Rafter Assemblies.



### Roof Parts

2 x Short Panel Left  
2 x Short Panel Right

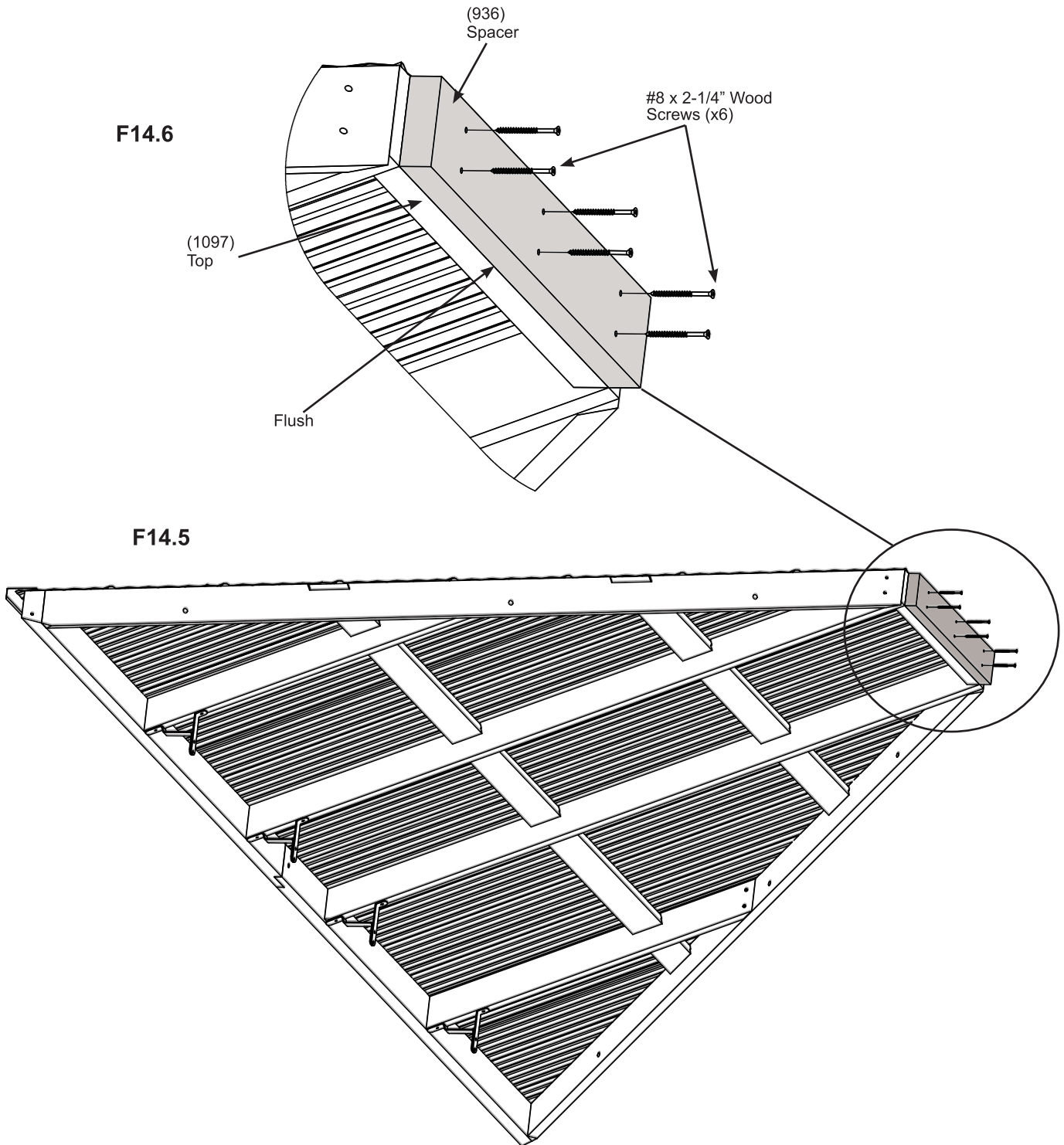
### Hardware

68 x #8 x 1" Roofing Screw



# Step 14: Attach Roof Panels - Large Roof Part 3

F: On one Large Roof Rafter Assembly place one (936) Spacer flush to the outside edges and centred on (1097) Top then attach with six #8 x 2-1/4" Wood Screws. (F14.5 and F14.6)



### Wood Parts

1 x (936) Spacer

### Hardware

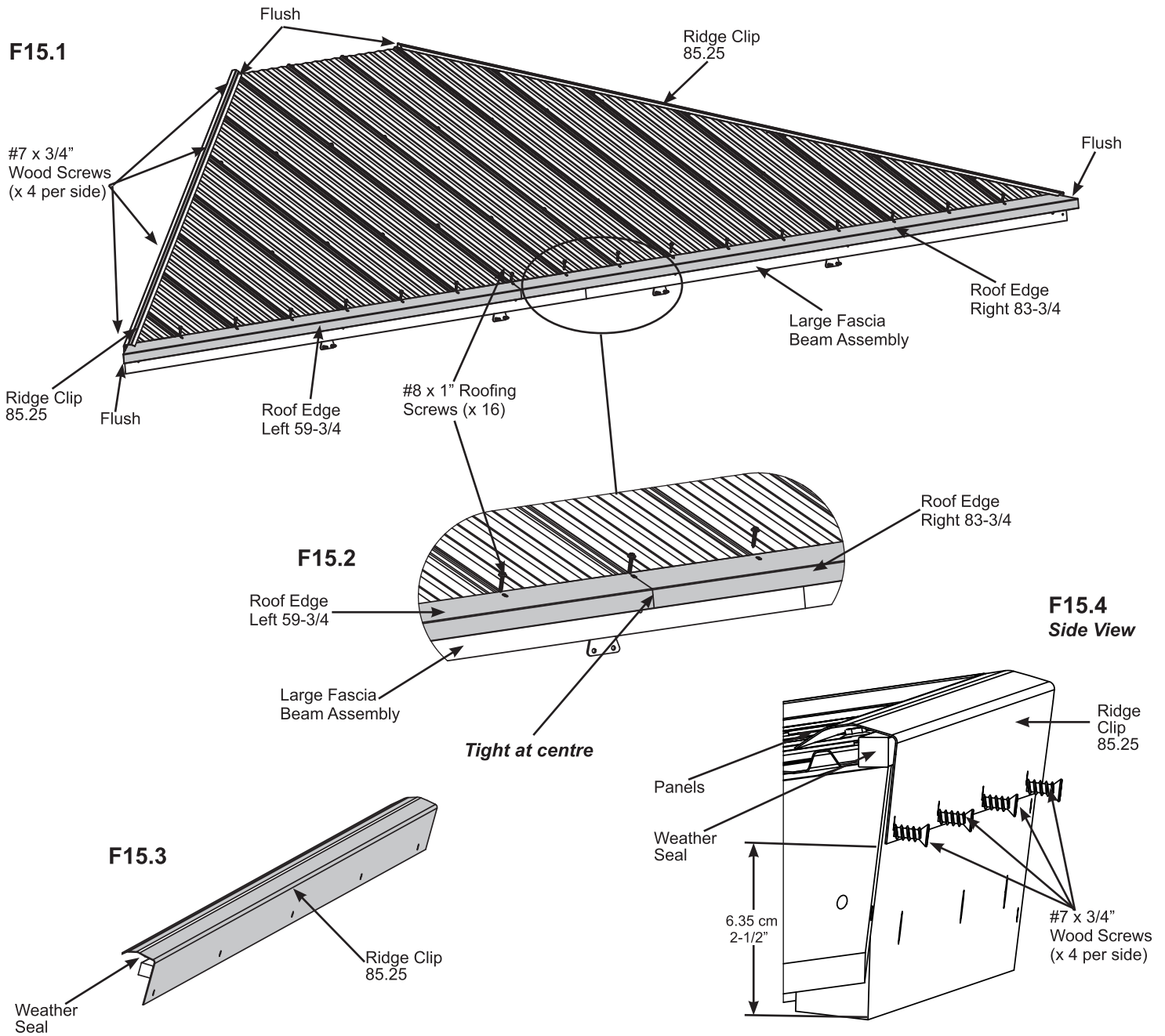
6 x #8 x 2-1/4" Wood Screws

# Step 15: Attach Ridge Clips and Roof Edges - Large Roof



**A:** Place one Roof Edge Left 59-3/4 and one Roof Edge Right 83-3/4 on the bottom of each Large Roof Rafter Assembly so the ends are flush with the outside ends of the Large Fascia Beam Assembly and meet tight in the centre. Attach both Roof Edges with 16 #8 x 1" Roofing Screws per Large Roof Rafter assembly. (F15.1 and F15.2)

**B:** Place one Weather Seal on the inside of each Ridge Clip 85.25 then place one Ridge Clip 85.25 on each side of each Large Roof Rafter Assembly so they cover the panels and attach with four #7 x 3/4" Wood Screws per Ridge Clip 85.25. (F15.1, F15.3 and F15.4)



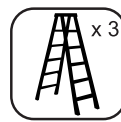
### Components:

- 2 x Roof Edge Left 59-3/4
- 2 x Roof Edge Right 83-3/4
- 4 x Ridge Clip 85.25
- 4 x Weather Seal

### Hardware

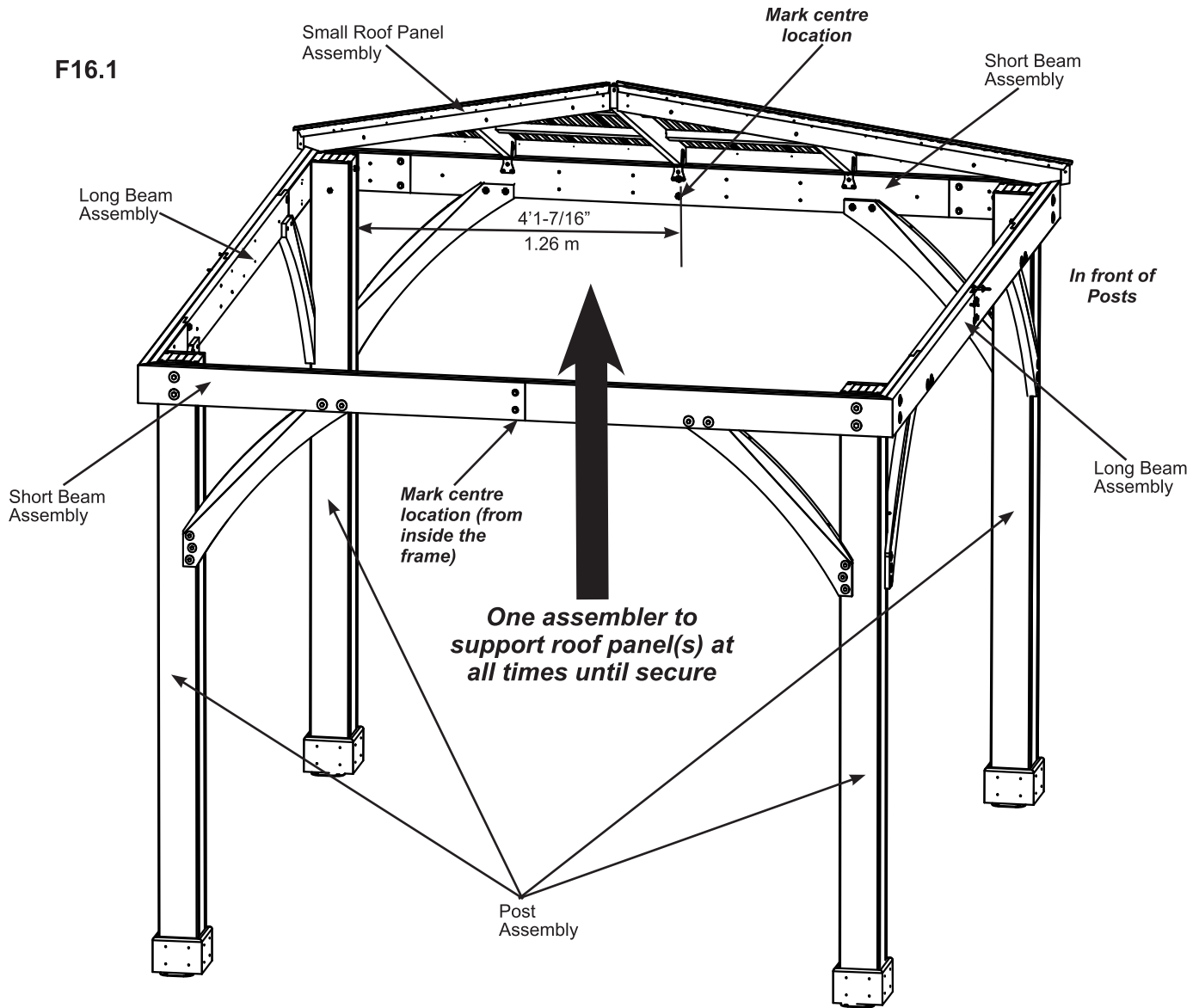
- 32 x #8 x 1" Roofing Screw
- 16 x #7 x 3/4" Wood Screw

# Step 16: Attach Roof Panels to Frame Part 1

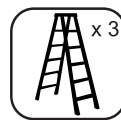


**A:** From inside the Post Assemblies measure 4'1-7/16' (1.26 m) to mark the centre of each Short Beam Assembly. (F16.1)

**B:** With all four assemblers place Small Roof Panel Assembly with Rafter Beam Brackets just in front of the Posts then raise it up so it is over Short Beam Assembly, taking care not to drag the panel on the beams. Make sure the middle Rafter Beam Bracket lines up to the centre mark. (F16.1)

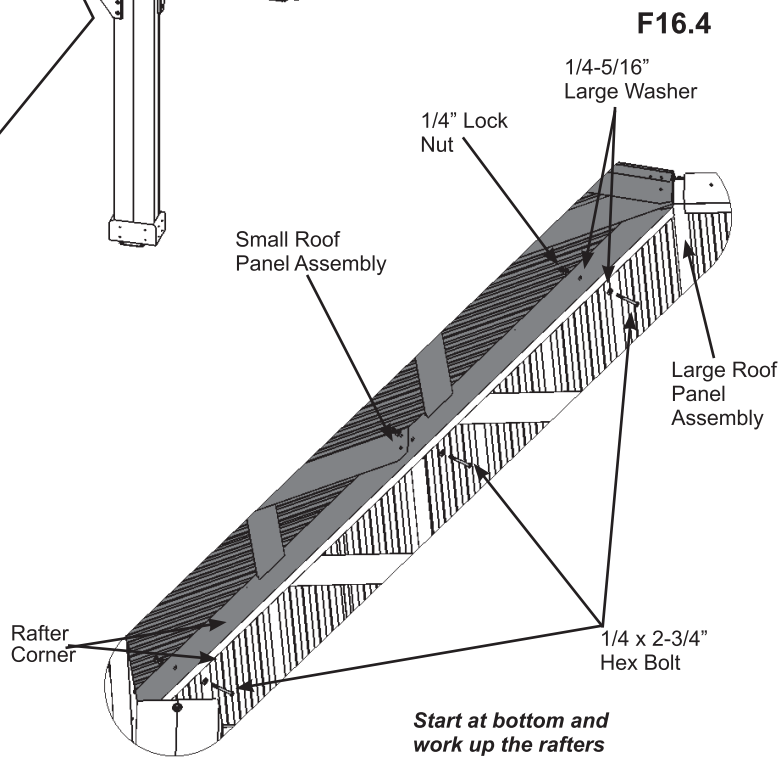
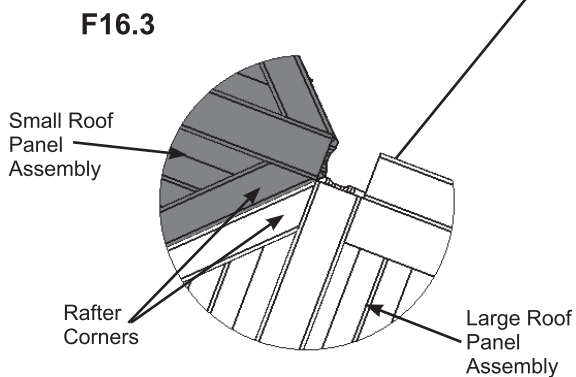
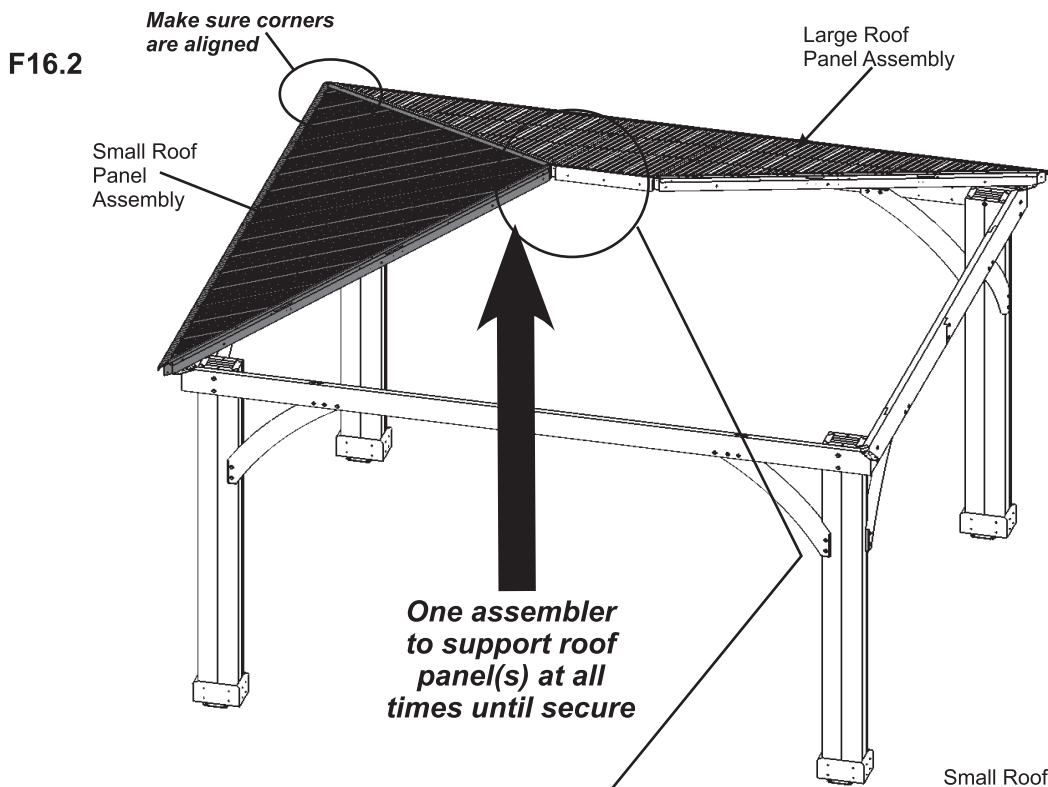


# Step 16: Attach Roof Panels to Frame Part 2



**C:** Lift a Large Roof Panel Assembly with Rafter Beam Brackets over Long Beam Assembly taking care not to drag the panel on the beams. Make sure the Rafter Corners are flush with each other. **One person must remain on the centre ladder to hold both panels in place until three panels are up and secure.** (F16.2 and F16.3)

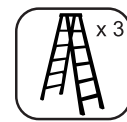
**D:** Starting at the bottom and working up connect Large Roof Panel Assembly to Small Roof Panel Assembly through the Rafter Corners with three 1/4 x 2-3/4" Hex Bolts (with two 1/4-5/16" large washers and one 1/4" lock nut). To align bolt holes helper in the centre may have to push up the centre of the panels while other helpers make sure corners are aligned. Make sure all bolts are tight. (F16.2 and F16.4)



## Hardware

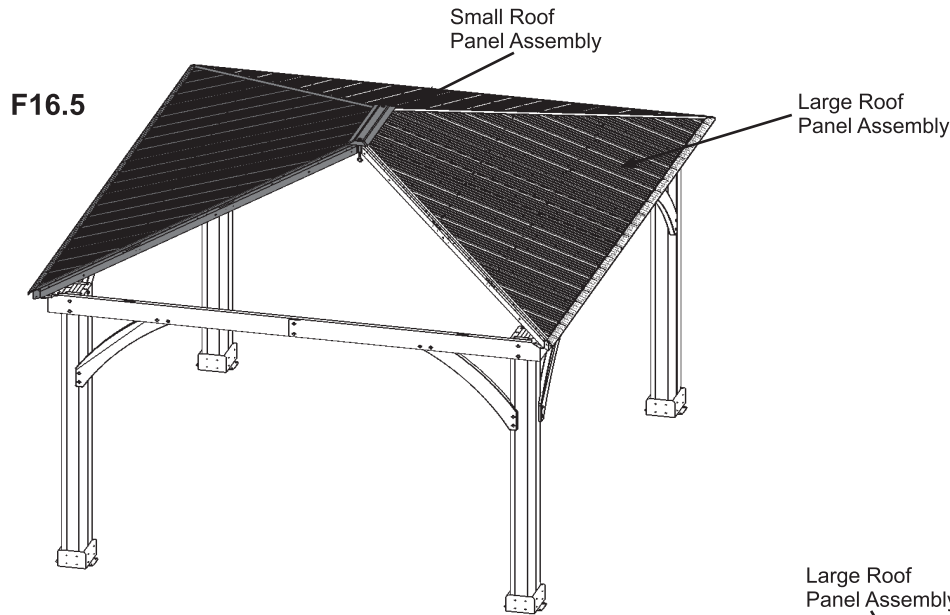
3 x 1/4 x 2-3/4" Hex Bolt  
(1/4-5/16" large washer x 2, 1/4" lock nut)

# Step 16: Attach Roof Panels to Frame Part 3



**E:** Lift second Large Roof Panel Assembly with Rafter Beam Brackets over Large Beam Assembly taking care not to drag the panel on the beams then set in place beside the Small Roof Panel Assembly. (F16.5)

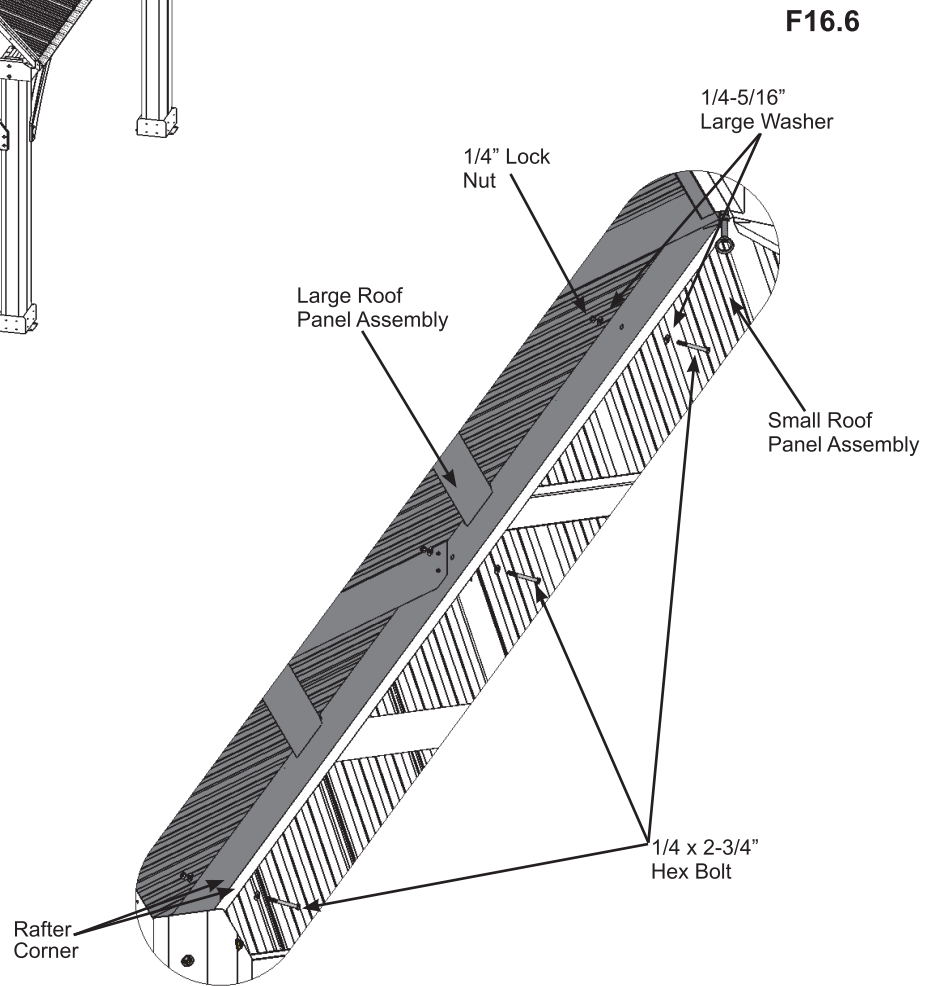
**F:** Starting at the bottom and working up connect Large Roof Panel Assembly to Small Roof Panel Assembly through the Rafter Corners with three 1/4 x 2-3/4" Hex Bolts (with two 1/4-5/16" large washers and one 1/4" lock nut). To align bolt holes helper on the centre ladder may have to push up in the centre of the panels and others make sure corners are aligned. Make sure all bolts are tight. (F16.6)



Small Roof Panel Assembly

Large Roof Panel Assembly

F16.5



F16.6

1/4-5/16" Large Washer

1/4" Lock Nut

Large Roof Panel Assembly

Small Roof Panel Assembly

1/4 x 2-3/4" Hex Bolt

Rafter Corner

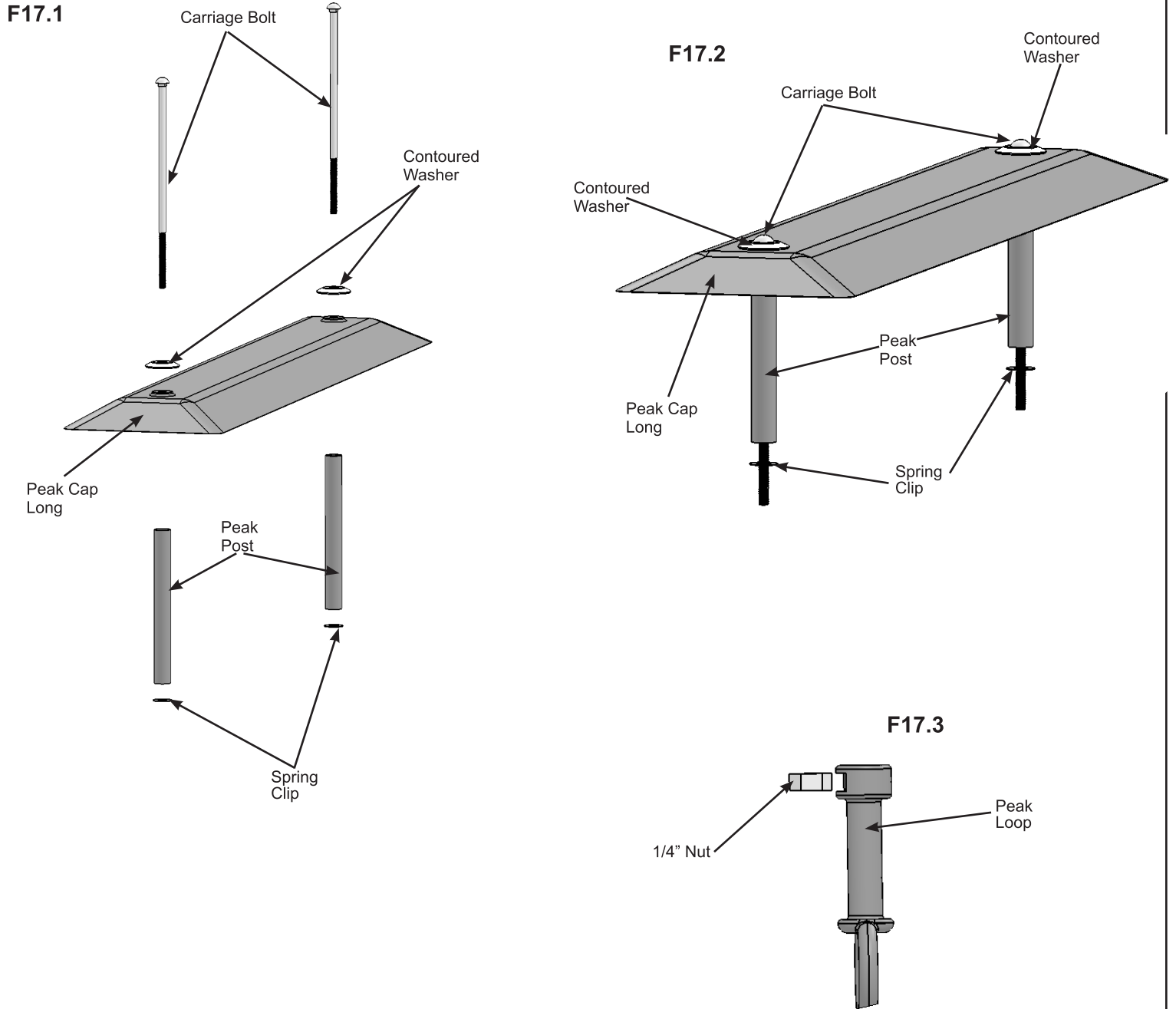
## Hardware

3 x 1/4 x 2-3/4" Hex Bolt  
(1/4-5/16" large washer x 2, 1/4" lock nut)

# Step 17: Roof Peak Assembly

**A:** Insert two Carriage Bolts with Contoured Washers through the top of Peak Cap Long, into Peak Post then Spring Clip. The Spring Clip holds the assembly together. (F17.1 and F17.2)

**B:** Insert one 1/4" Nut into each Peak Loop. Be careful nut is loose and will fall out until attached to Peak Cap Assembly. (F17.3)



## Components:

- |                      |                   |
|----------------------|-------------------|
| 1 x Roof Peak Set    | 1 x Peak Cap Long |
| 2 x Carriage Bolt    | 2 x Peak Post     |
| 2 x Contoured Washer |                   |
| 2 x Peak Loop        |                   |
| 2 x Spring Clip      |                   |
| 2 x 1/4" Nut         |                   |



# Step 18: Attach Roof Peak to Roof Panels

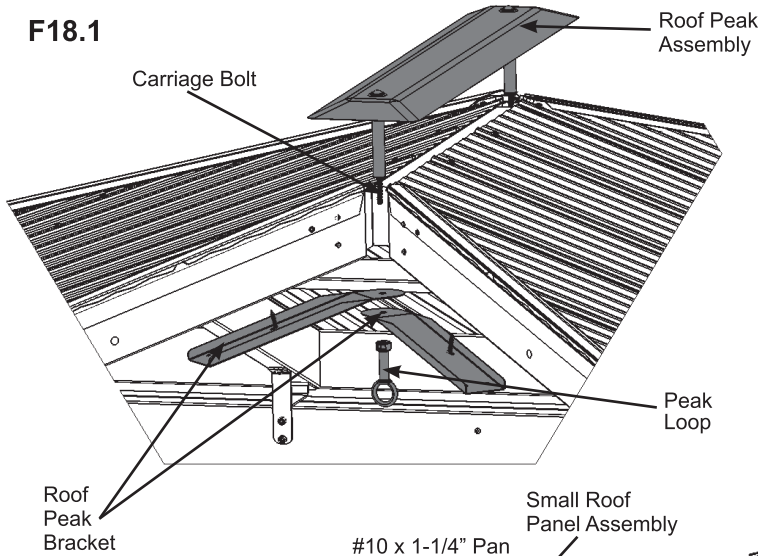


**A:** Insert Roof Peak Assembly in gap between Large and Small Roof Panels. Peak Cap Long to be lined up with Rafter Corners. (F18.1 and F18.2)

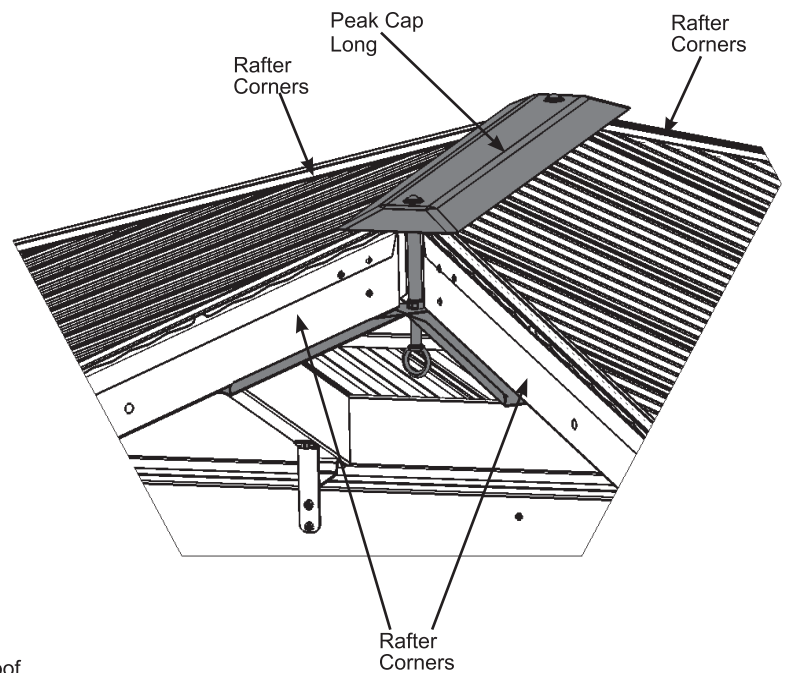
**B:** Insert two Roof Peak Brackets through each Carriage Bolt and attach Peak Loop to Carriage Bolts then twist to tighten loosely.

**C:** Loosely attach one set of Roof Peak Brackets to the Rafter Corners of the connected Large and Small Roof Panels in the slotted holes with four #10 x 1-1/4" Pan Screws. On the second set of Roof Peak Brackets loosely attach to the Rafter Corners of Large Roof Panels with two #10 x 1-1/4" Pan Screws. (F18.3)

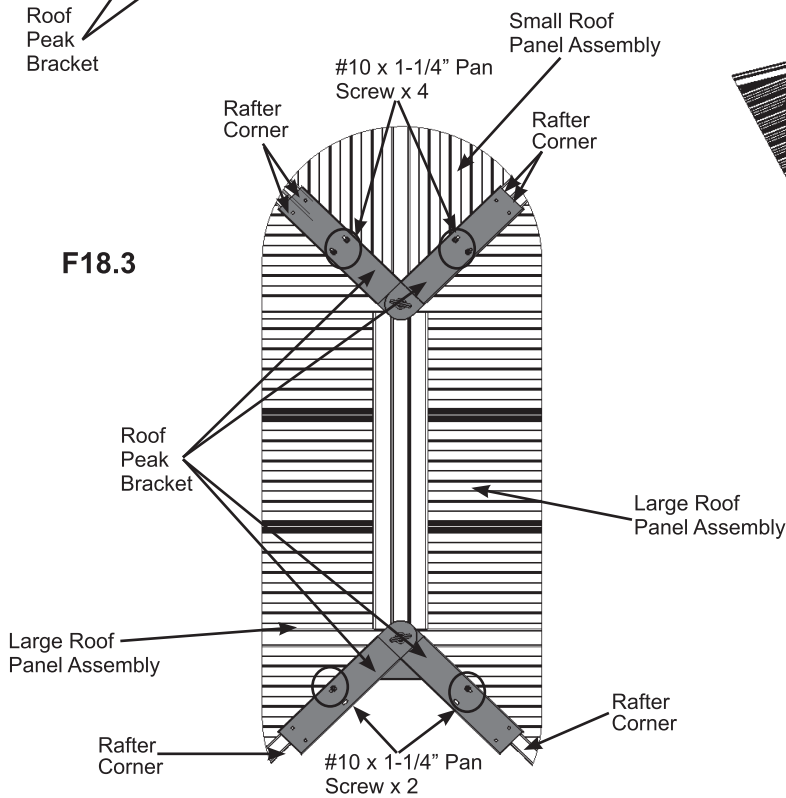
**F18.1**



**F18.2**



**F18.3**



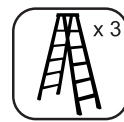
**Components:**

4 x Roof Peak Brackets

**Hardware**

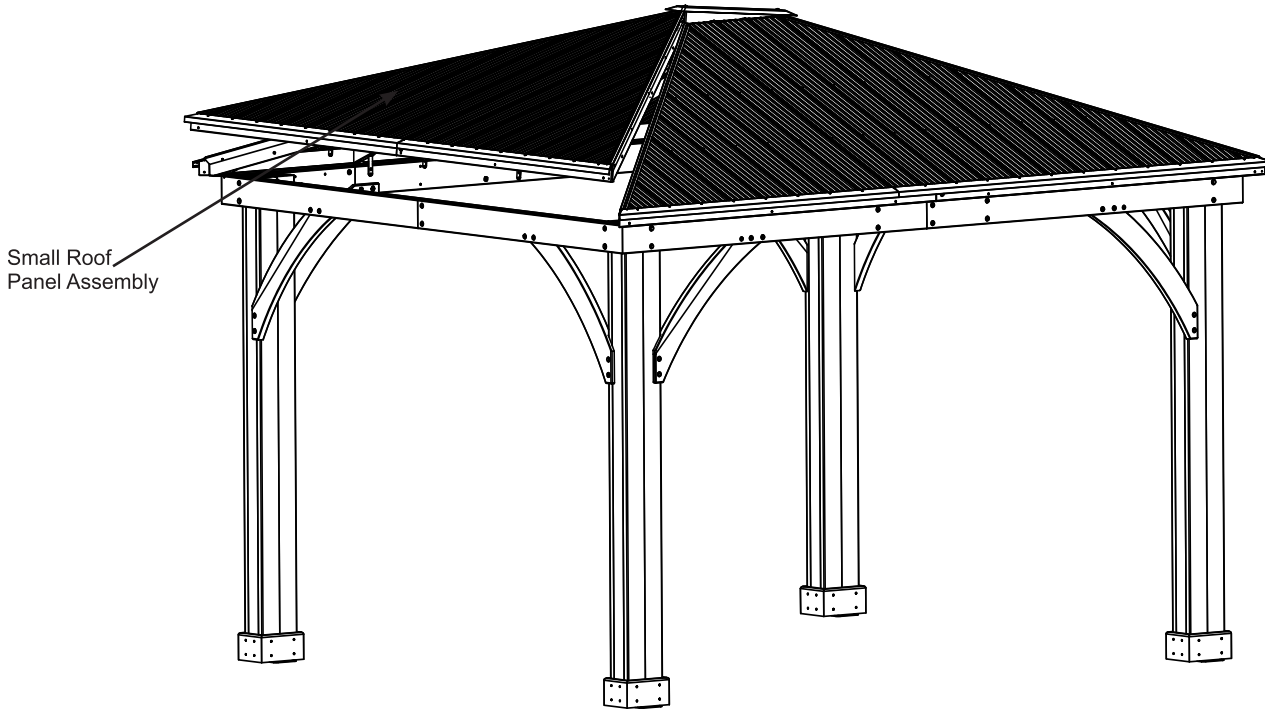
6 x #10 x 1-1/4" Pan Screw

# Step 19: Attach Final Roof Panel Part 1

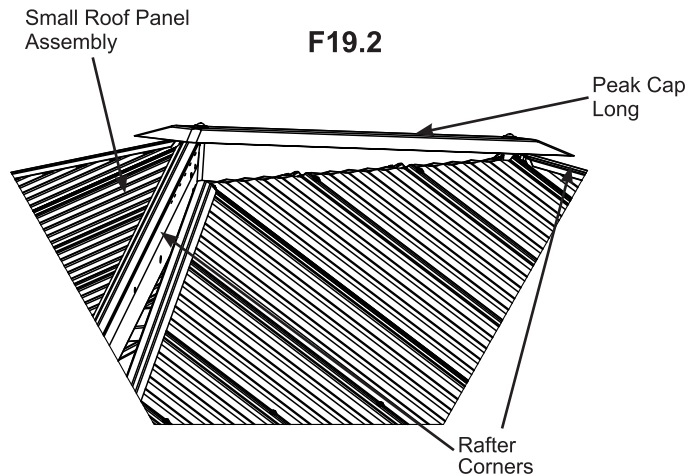


**A:** Lift last Small Roof Panel Assembly (without Rafter Beam Brackets) over Short Beam Assembly taking care not to drag the panel on the beams. Panel fits under the Peak Cap Long, push up on Peak Loop to lift Peak Cap Long. The centre of the other panels may have to be pushed up to fit fourth panel. (F19.1 and F19.2)

**F19.1**



**F19.2**



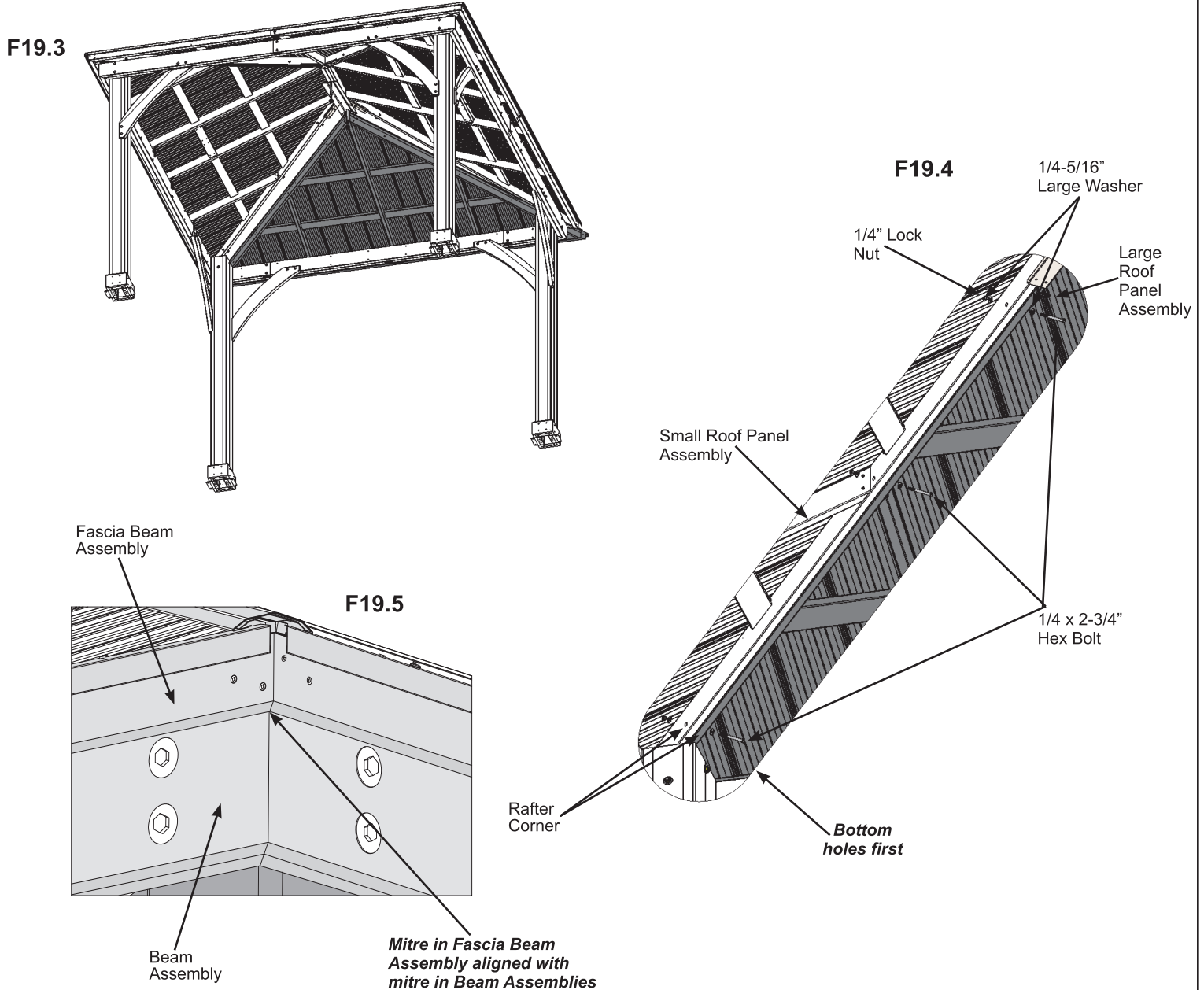
# Step 19: Attach Final Roof Panel Part 2



**Remember to push up centre to assist with alignment.**

**B:** Starting at the bottom and working up loosely connect Roof Panel Assemblies through the Rafter Corners with three 1/4 x 2-3/4" Hex Bolts (with two 1/4-5/16" large washers and one 1/4" lock nut) per side. To align bolt holes helper on the centre ladder may have to push up in the centre of the panels and others make sure corners are aligned. Tighten bolts when all six have been installed. (F19.3 and F19.4)

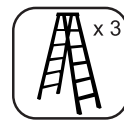
**Mitre in Fascia Beam Assembly should be aligned with mitre in Beam Assemblies. (F19.5)**



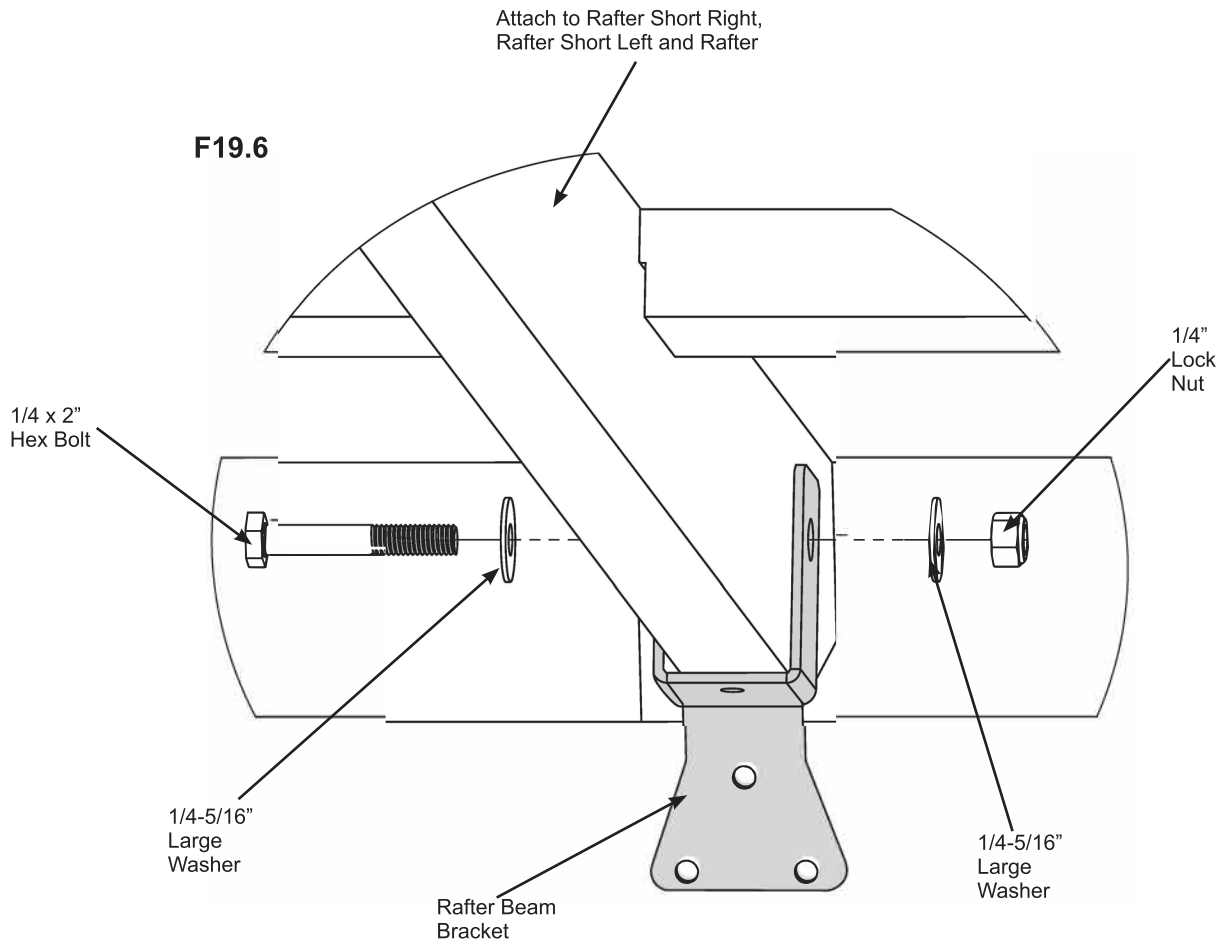
### Hardware

6 x 1/4 x 2-3/4" Hex Bolt  
(1/4-5/16" large washer x 2, 1/4" lock nut)

# Step 19: Attach Final Roof Panel Part 3



**C:** On the Small Roof Rafter Assembly just installed, place one Rafter Beam Bracket on each (1086) Rafter Short Right, (1087) Rafter Short Left and (1088) Rafter. Loosely attach each bracket to rafters with one 1/4 x 2" Hex Bolt (with two 1/4-5/16" large washers and one 1/4" lock nut). (F19.6)



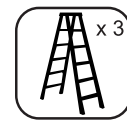
### Components:

3 x Rafter Beam Bracket

### Hardware

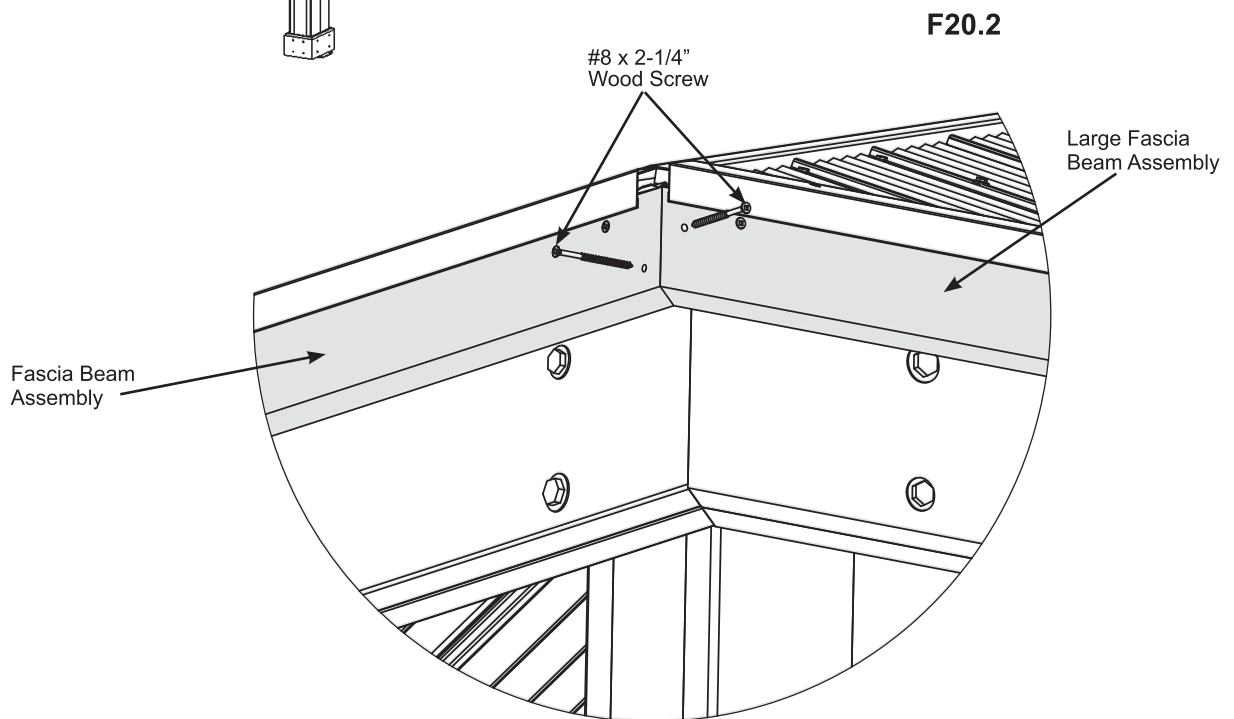
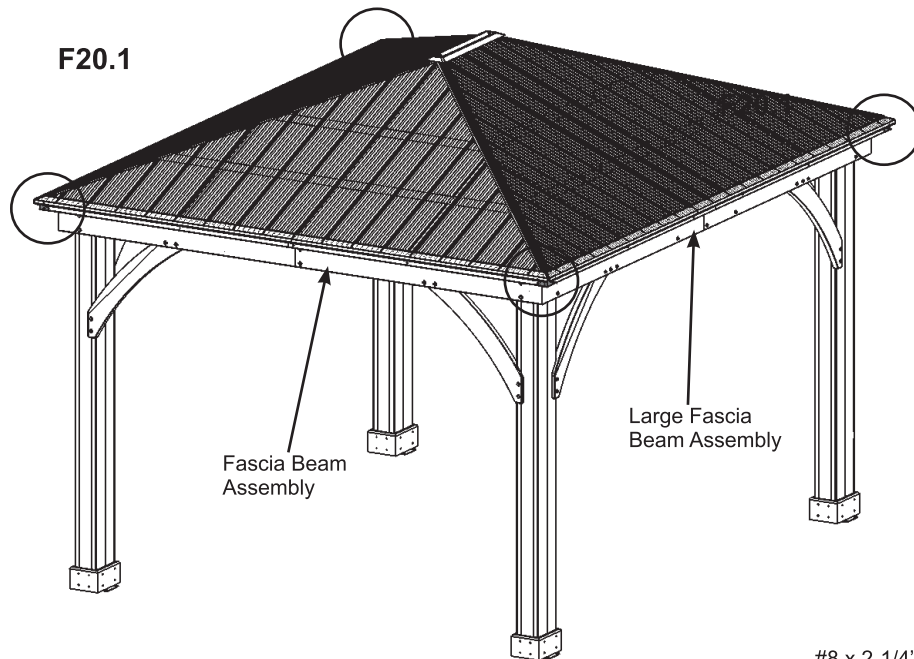
3 x 1/4 x 2" Hex Bolt  
(1/4-5/16" large washer x 2, 1/4" lock nut)

## Step 20: Secure Roof Corners



**A:** Make sure middle Rafter Beam Brackets are lined up over centre mark and all are flush and tight to the Beam Assemblies. Lift in centre if needed to adjust Roof Panel Assemblies.

**B:** From outside the assembly attach Roof Panel Assemblies together at the Fascia Beam Assembly Ends with two #8 x 2-1/4" Wood Screws per corner. A helper may need to lift the centre of the roof to bring the corners tight together. (F20.1 and F20.2)

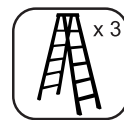


### Hardware

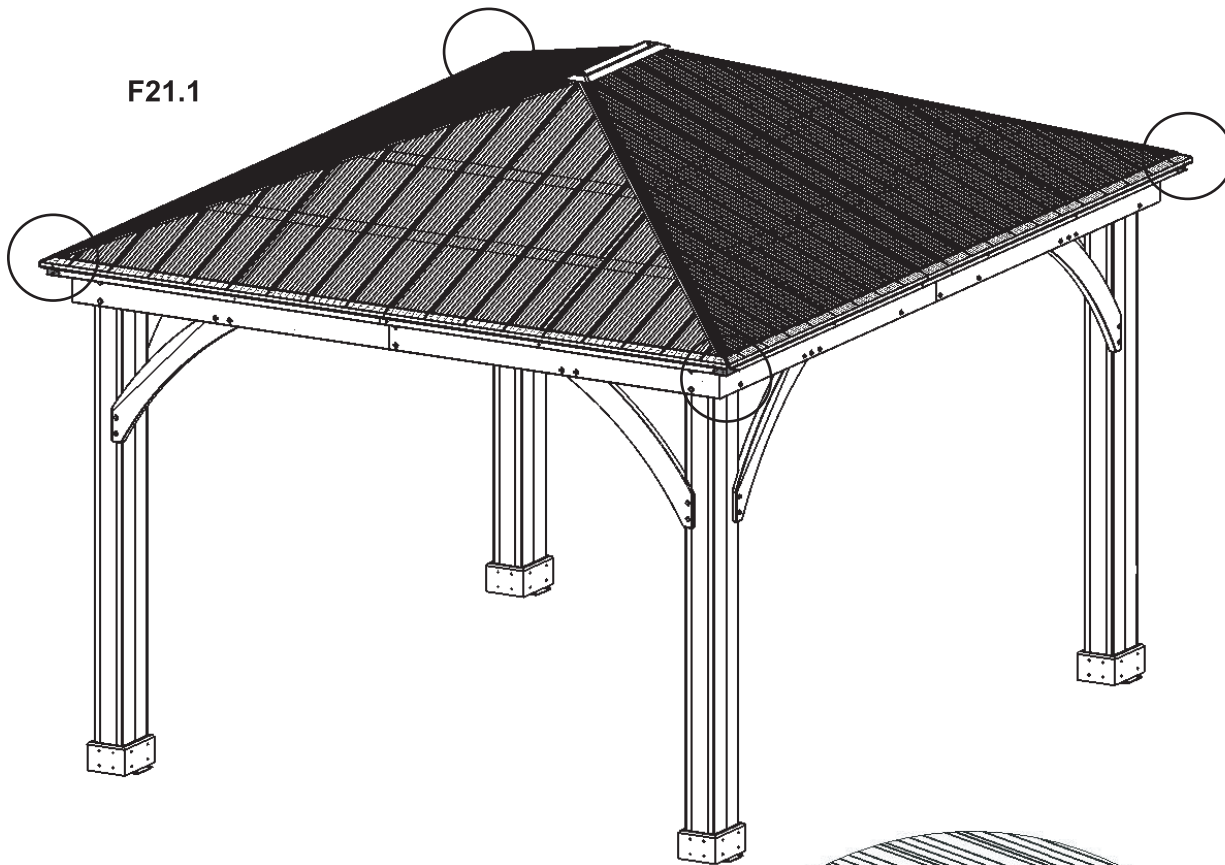
8 x #8 x 2-1/4" Wood Screw



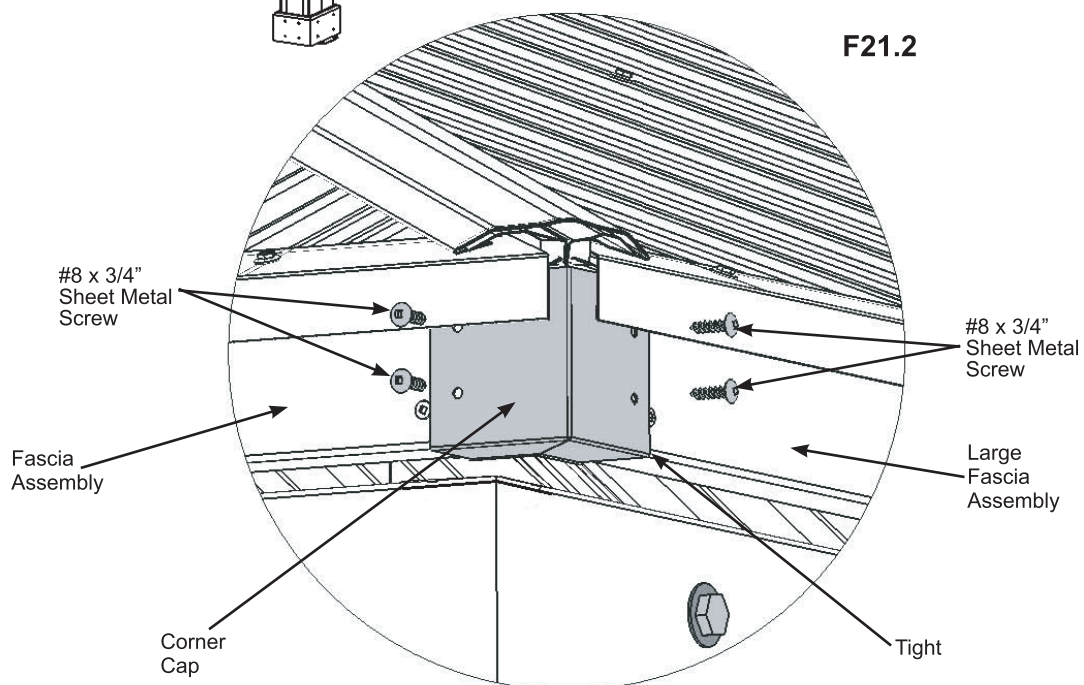
# Step 21: Attach Corner and Beam Caps



**A:** At each corner place one Corner Cap tight to Fascia Assemblies, push up so the bottom is tight to the bottom of the assemblies then attach with four #8 x 3/4" Sheet Metal Screws per Corner Cap. (F21.1 and F21.2)



F21.1



F21.2

### Components:

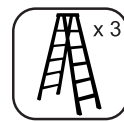
4 x Corner Cap

### Hardware

16 x #8 x 3/4" Sheet Metal Screw



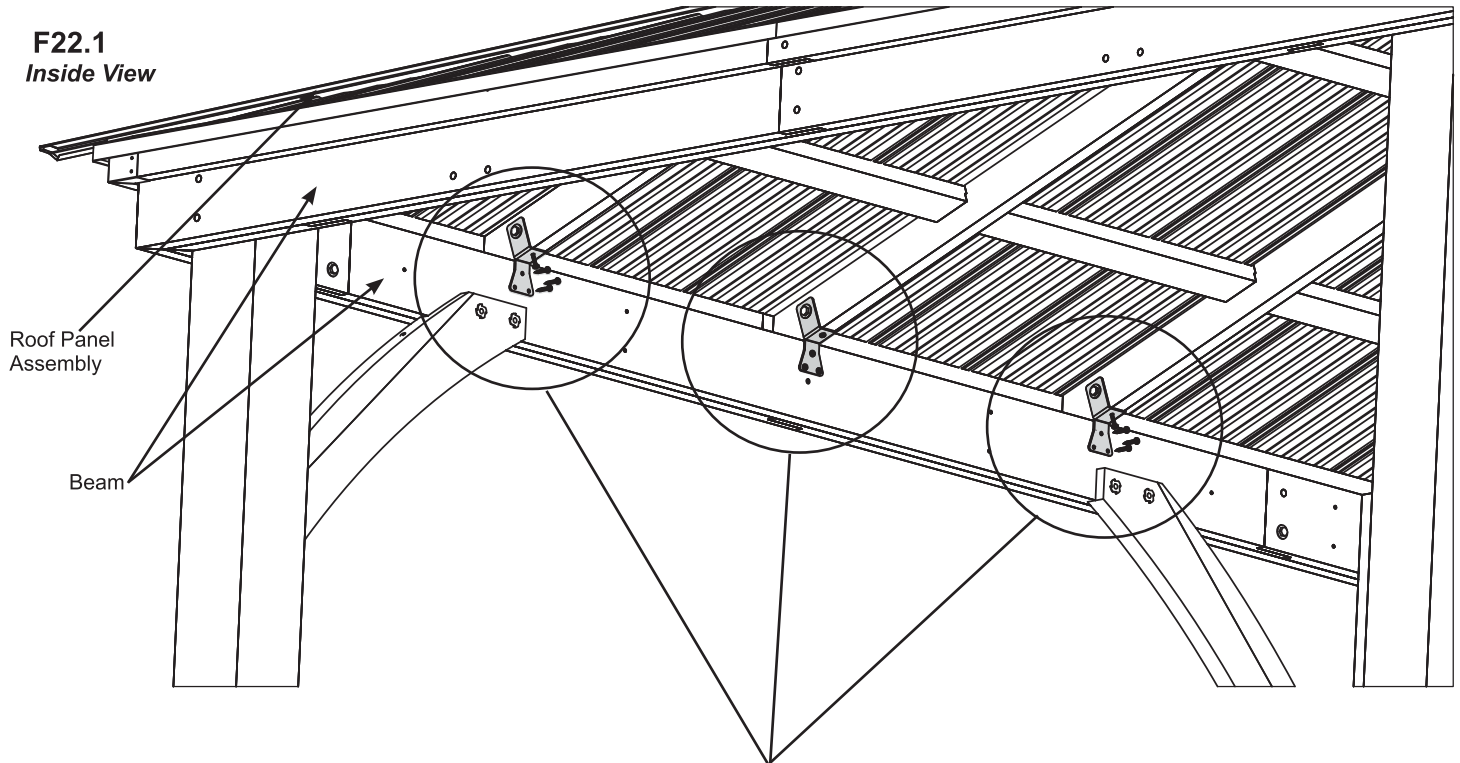
# Step 22: Secure Rafter Beam Brackets



**A:** From inside the assembly attach Rafter Beam Brackets to beams and rafters with four #10 x 1-1/4" Pan Screws per bracket. (F22.1 and F22.2)

**B:** Tighten all bolts in Rafter Beam Brackets. (F22.1 and F22.2)

**F22.1**  
*Inside View*



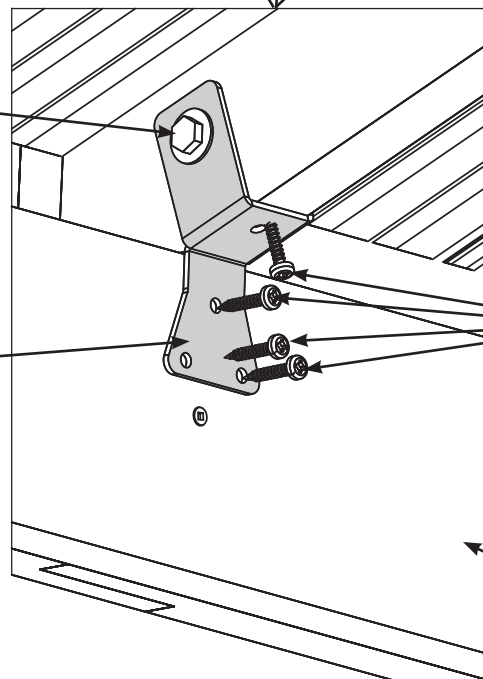
Tighten all  
Rafter Beam  
Bracket bolts

Rafter Beam  
Bracket

**F22.2**

#10 x 1-1/4"  
Pan Screw

Beam



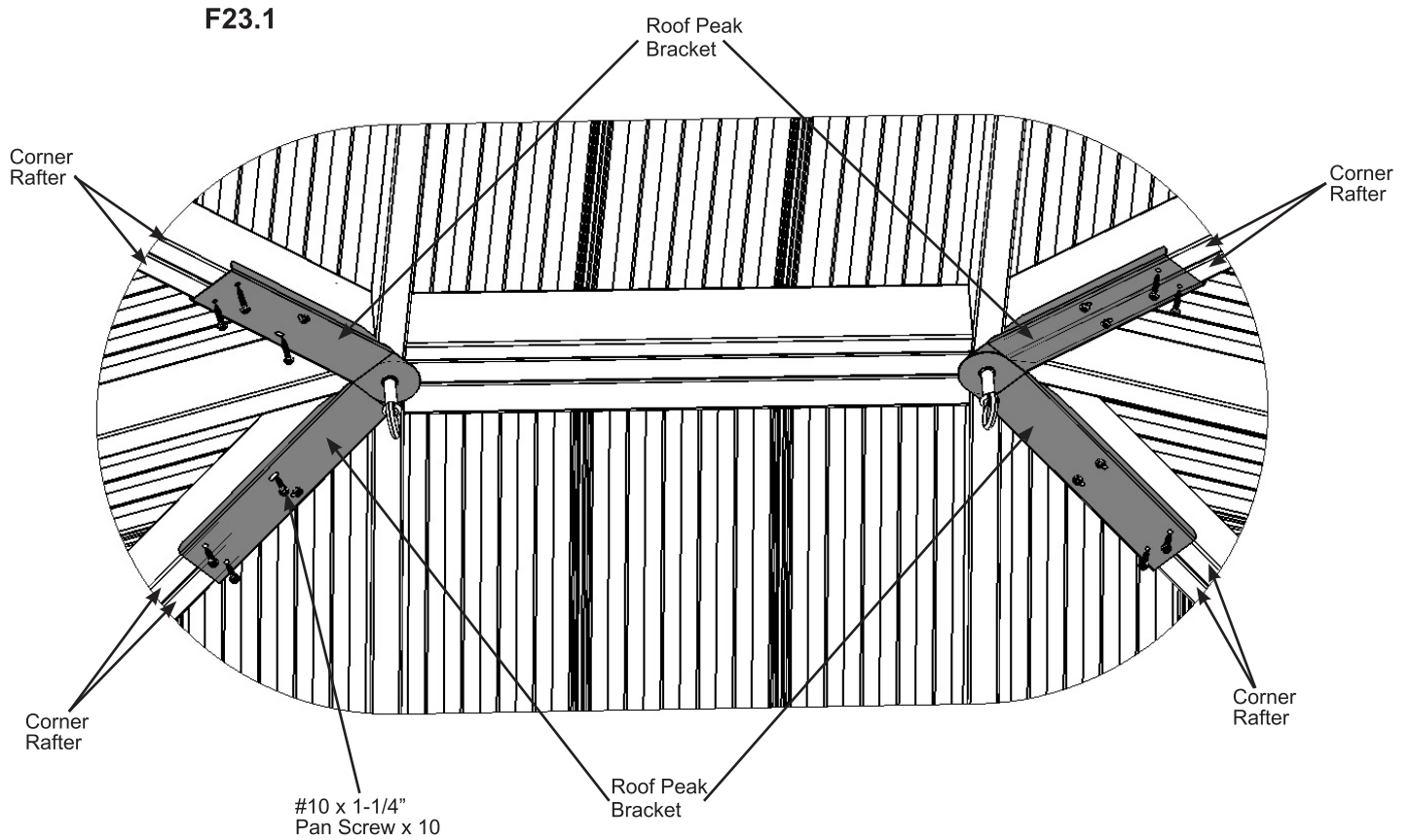
### Hardware

56 x #10 x 1-1/4" Pan Screw

# Step 23: Secure Roof Peak Brackets



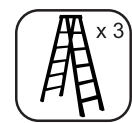
**A:** Tighten the six screws in Roof Peak Brackets then attach to Corner Rafters in the remaining holes with ten #10 x 1-1/4" Pan Screws. (F23.1)



### Hardware

10 x #10 x 1-1/4" Pan Screw

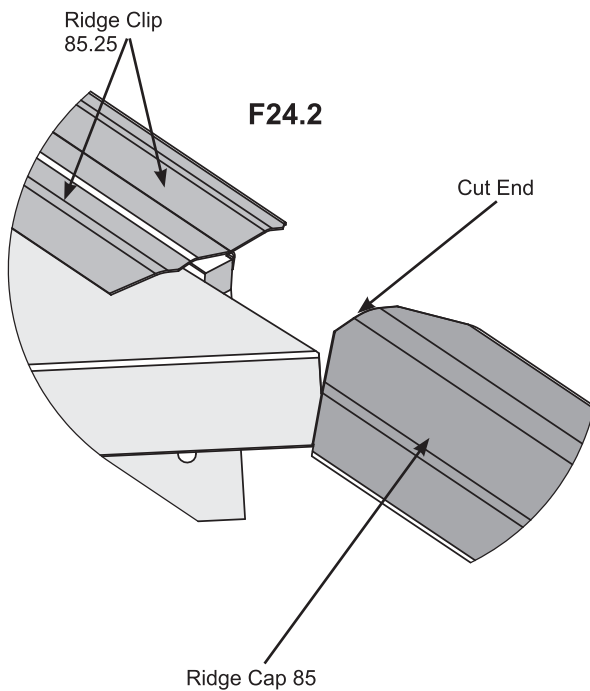
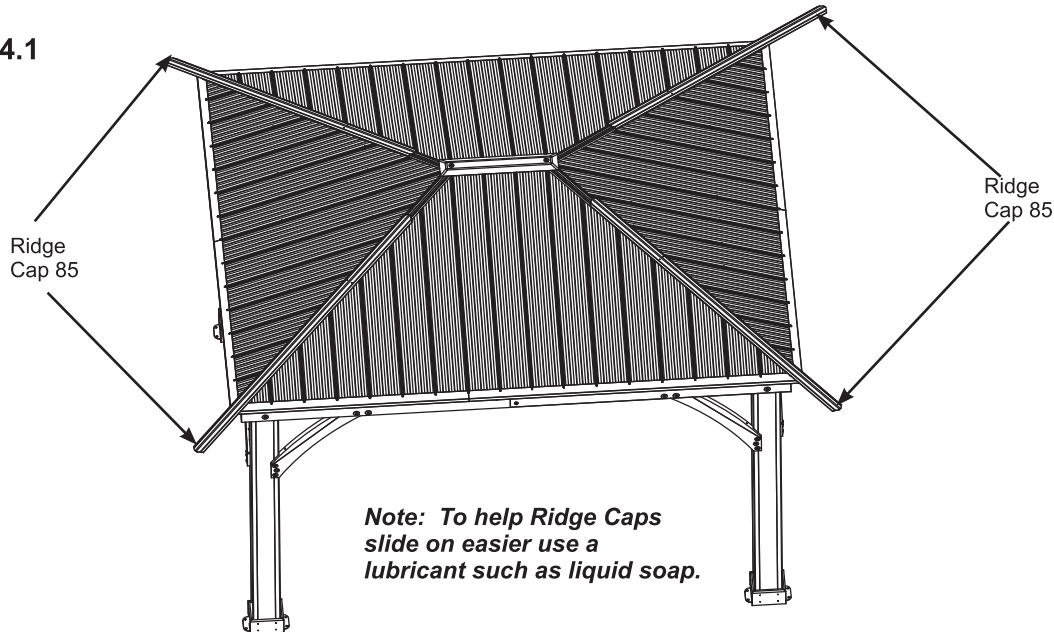
# Step 24: Attach Ridge Caps to Roof Panels



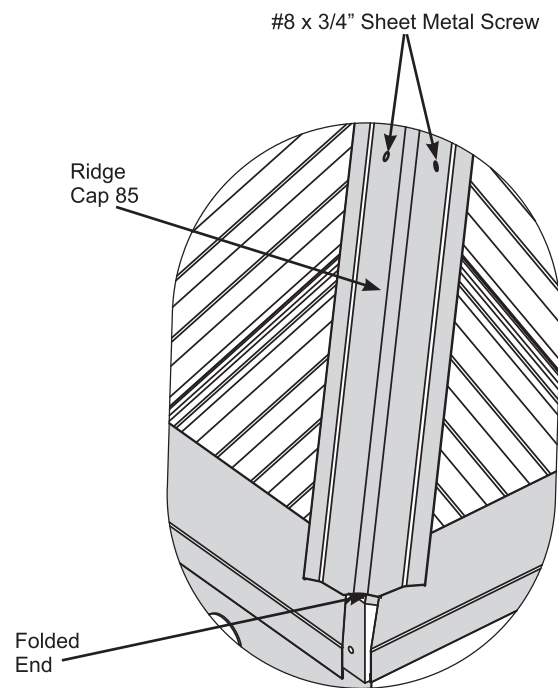
**A:** Slide one Ridge Cap 85 over each Ridge Clip 85.25, with cut end leading, on each corner of the assembly from the bottom up, lifting Peak Cap by pushing up the Peak Loop so Ridge Caps fit under Peak Cap Long then attach with two #8 x 3/4" Sheet Metal Screws per Ridge Cap 85. (F24.1, F24.2 and F24.3)

**B:** Tighten Loops to secure Roof Peak Set.

**F24.1**



**F24.2**



**F24.3**

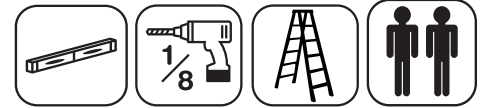
**Components:**

4 x Ridge Cap 85

**Hardware**

8 x #8 x 3/4" Sheet Metal Screw

# Step 25: Attach Tie Wrap Brackets and Ties

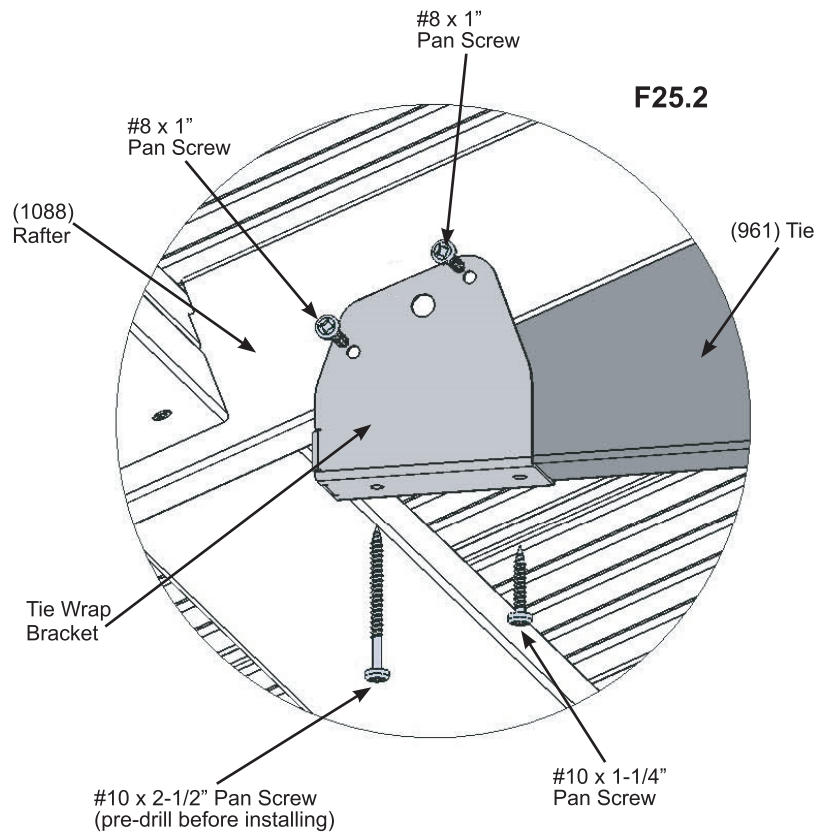
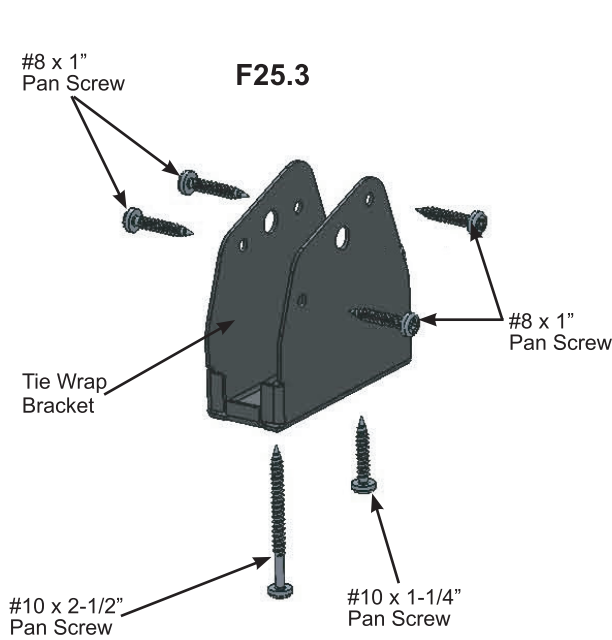
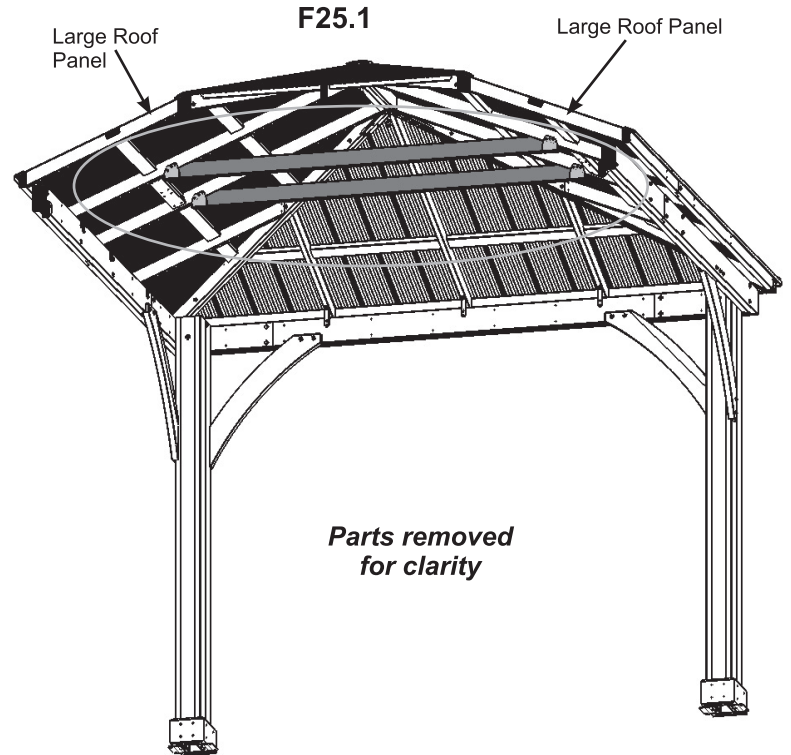


**A:** Attach one Tie Wrap Bracket to each end of one (961) Tie with one #10 x 1-1/4" Pan Screw per bracket using the inside holes. (961) Tie is tight to end of bracket. (F25.1, F25.2 and F25.3)

**B:** With a helper place (961) Tie with brackets against a (1088) Rafter on each Large Roof Panel so (961) Tie is tight to (1088) Rafters and level. Attach Tie Wrap Bracket to (1088) Rafters with two #8 x 1" Pan Screws on both sides of each bracket. (F25.1, F25.2 and F25.3)

**C:** Pre-drill with a 1/8" drill bit and secure Tie Wrap Brackets to (961) Tie and (1088) Rafter with one #10 x 2-1/2" Pan Screw per bracket. (F25.1, F25.2 and F25.3)

**D:** Repeat Steps A to C for a second (961) Tie.



**Wood Parts**

2 x (961) Tie

**Components:**

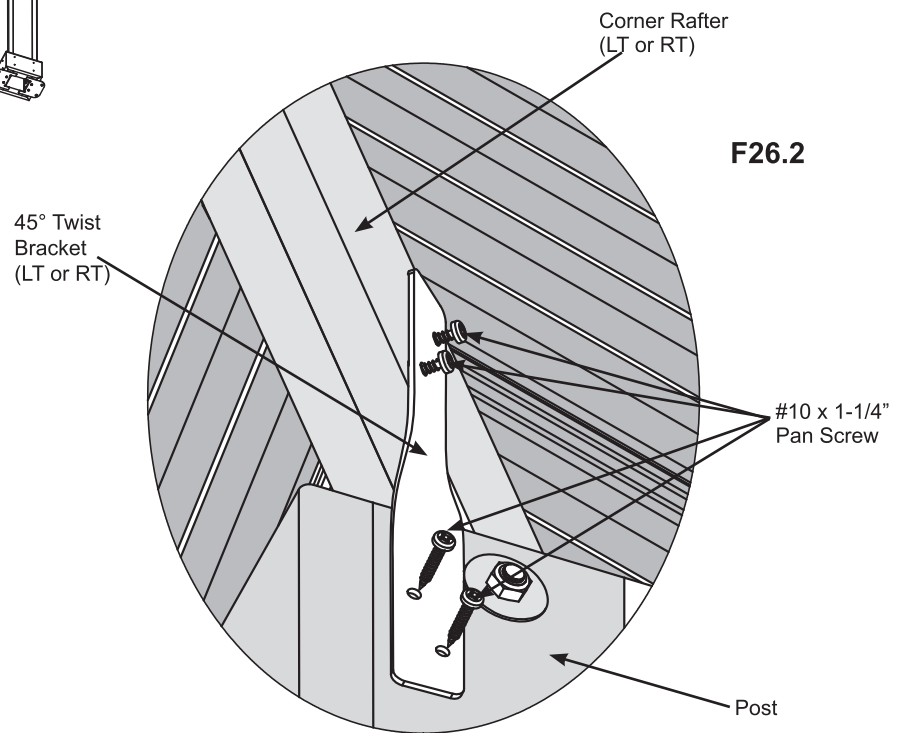
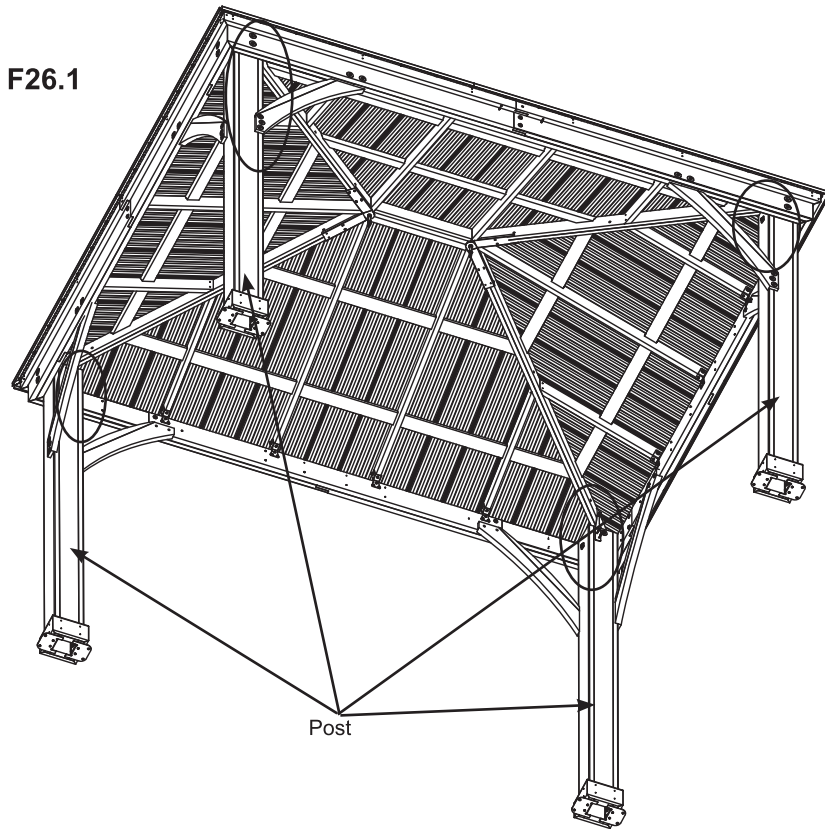
4 x Tie Wrap Bracket

**Hardware**

4 x #10 x 1-1/4" Pan Screw  
 16 x #8 x 1" Pan Screw  
 4 x #10 x 2-1/2" Pan Screw

## Step 26: Attach Twist Brackets

**A:** Attach 45° Twist Bracket LT or 45° Twist Bracket RT to posts and LT Corner Rafters and RT Corner Rafters with four #10 x 1-1/4" Pan Screws per bracket, as shown in F26.1 and F26.2.



### Components:

2 x 45° Twist Bracket LT  
2 x 45° Twist Bracket RT

### Hardware

16 x #10 x 1-1/4" Pan Screw



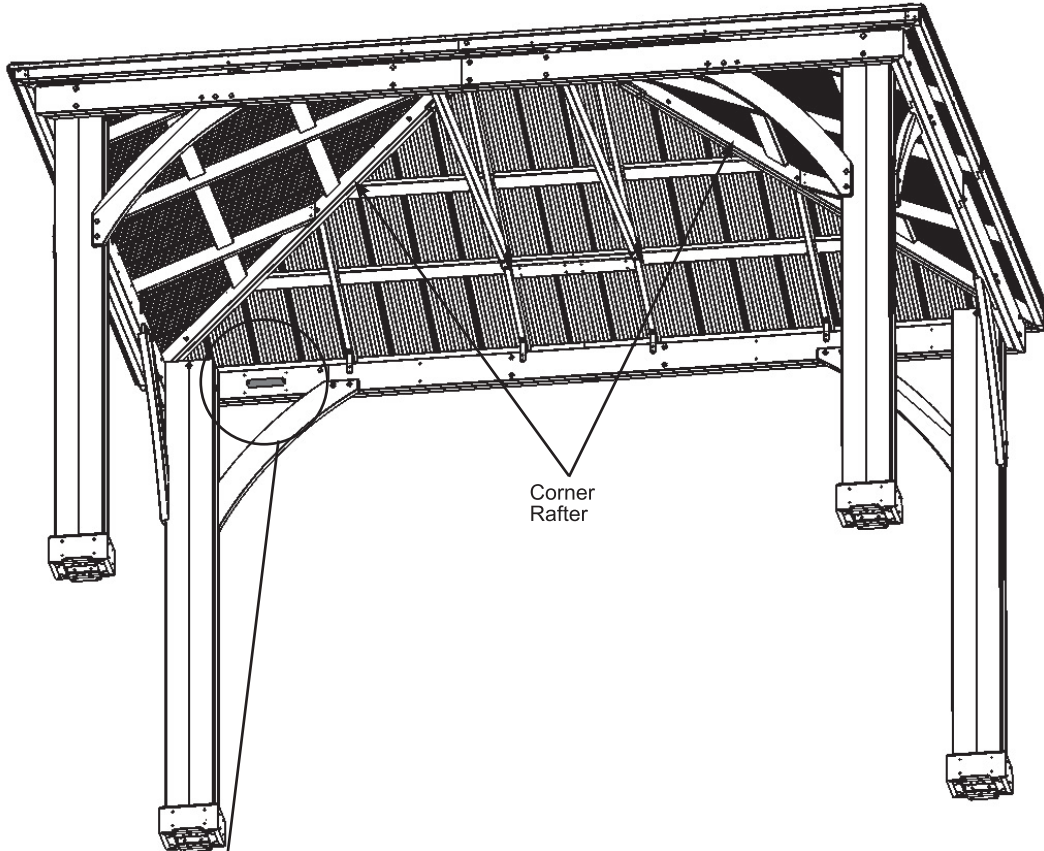


## Step 27: Metal Hooks and Plaque

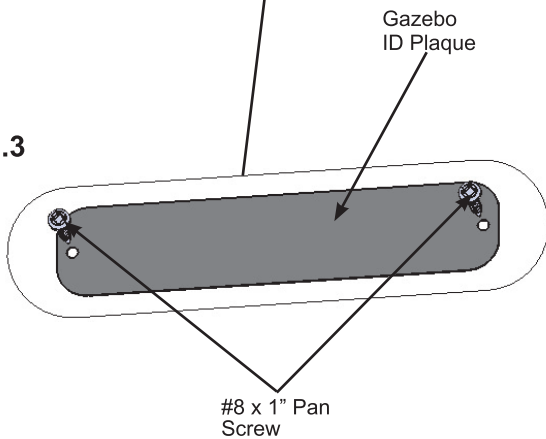
**A:** Two 50 mm Hooks are included with this unit for attaching wiring. They can be placed anywhere along the Corner Rafters as needed. Pre-drill with a 1/8" drill bit before installing. (F27.1 and F27.2)

**B:** Attach Gazebo ID Plaque to a prominent location on your gazebo with two #8 x 1" Pan Screws. This provides warnings concerning safety and important contact information. A tracking number is provided to allow you to get critical information or order replacement parts for this specific model. (F27.1 and F27.3)

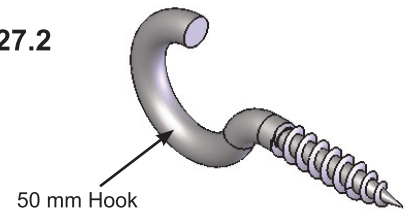
F27.1



F27.3



F27.2



**Note:** We have provided two 50 mm hooks for optional use to hold in place any wires if required. These hooks are not designed to hold any heavy products such as lights, flower pots, etc.

### Components

2 x 50 mm Hooks  
1 x Gazebo ID Plaque

### Hardware

2 x #8 x 1" Pan Screw









## Customer Registration Card - Tarjeta de Registro del Cliente - Carte d'inscription du client

First Name - Primer Nombre - Prénom	Initial - Inicial - Initiale	Last Name - Apellido - Nom de famille

Street - Calle - Rue	PO Box - Casilla postal - Boîte postale	Apt. No. - App.

City - Ciudad - Ville	State/Province - Estado/Provincia - État/Province

ZIP/Postal Code - Código Postal - ZIP/Code postal	Country - País - Pays

E-mail Address - Dirección de E-mail - Adresse courriel	Telephone Number - No. de Teléfono - N° de téléphone

Model Name - Nombre del Modelo - Nom du modèle	Model Number (from front cover) - Número de Modelo (de la portada) - N° du modèle (page de couverture)

Date of Purchase - Fecha de Compra - Date d'achat (mm/dd/yyyy) (mm/dd/aaaa) (mm/jj/aaaa)	Place of Purchase - Comprado a - Lieu d'achat

Comments - Comentarios - Commentaires:

### Mail To - Enviar por Correo a - Envoyer par courrier à:

Yardistry  
375 Sligo Road West, PO Box 10  
Mount Forest, Ontario, Canada, N0G 2L0  
Attention: Consumer Relations  
Atención a: Servicio de Atención al Cliente  
À l'attention de: Service à la clientèle

### Online Registration - Registro online - Enregistrement en ligne:

[www.yardistrystructures.com/warranty](http://www.yardistrystructures.com/warranty)

Hours/ Heures/ Horas: 8:30 am - 5:00 pm EST  
(excl. holidays/ hors jours fériés/ excepto los días festivos)

English and French Spoken / Anglais et français parlés / Inglés y francés hablado

Yardistry would like to say "Thank you" for your time and feedback.

Yardistry quiere "Agradecerle" por su tiempo y su opinión.

Yardistry aimerait vous remercier d'avoir pris le temps de répondre au sondage.