

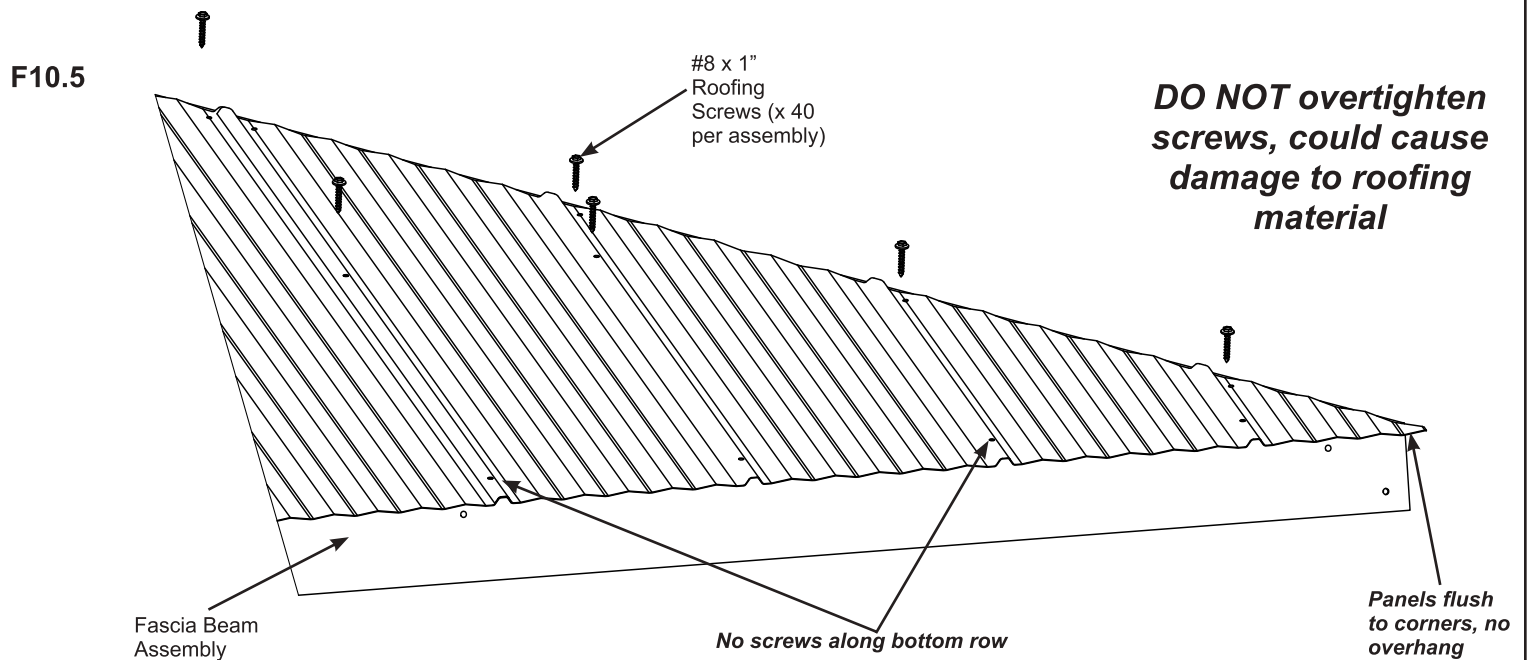
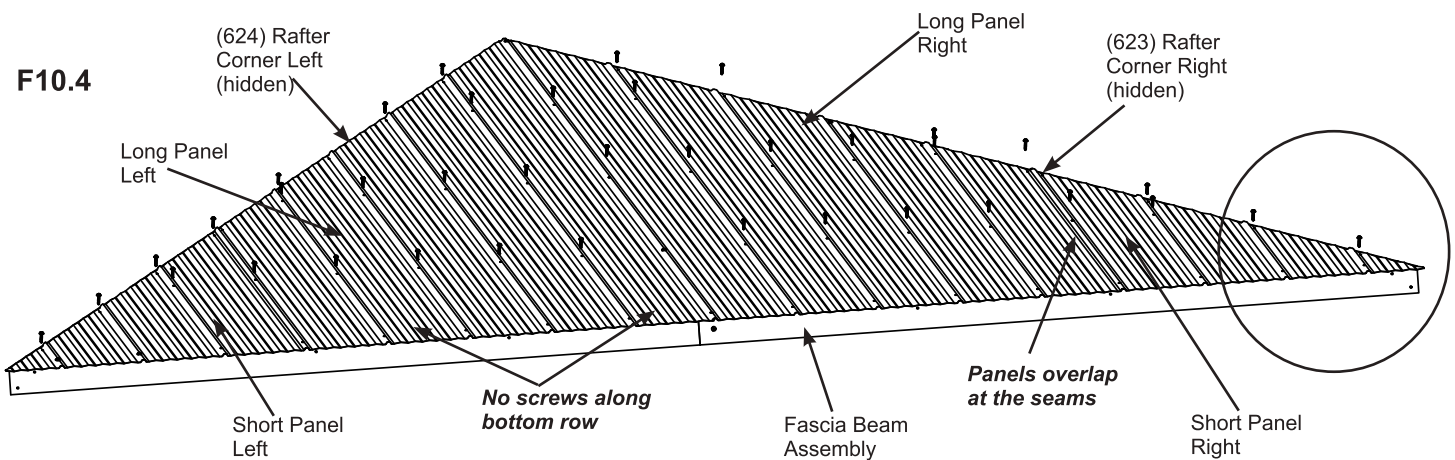
# Step 10: Attach Roof Panels - Small Roof Assembly Part 2

**E:** Place one Short Panel Left on Small Roof Assembly so it overlaps the Long Panel Left and it is flush to the sides of (624) Rafter Corner Left and a slight overhang at the bottom of the Fascia Beam Assembly. There should be no overhang at the corners. (F10.4 and F10.5)

**F:** Place one Short Panel Right on Small Roof Assembly so it overlaps the Long Panel Right and it is flush to the side of (623) Rafter Corner Right and a slight overhang at the bottom of the Fascia Beam Assembly. There should be no overhanging at the corners. (F10.4 and F10.5)

**G:** Attach all panels to Small Roof Assembly with 40 #8 x 1" Roofing Screws in locations shown in F10.4. Do not place any screws along the bottom row. Be sure not to overtighten screws.

**H:** Repeat Steps E - G for both Small Roof Assemblies.



### Roof Parts

- 2 x Short Panel Left
- 2 x Short Panel Right

### Hardware

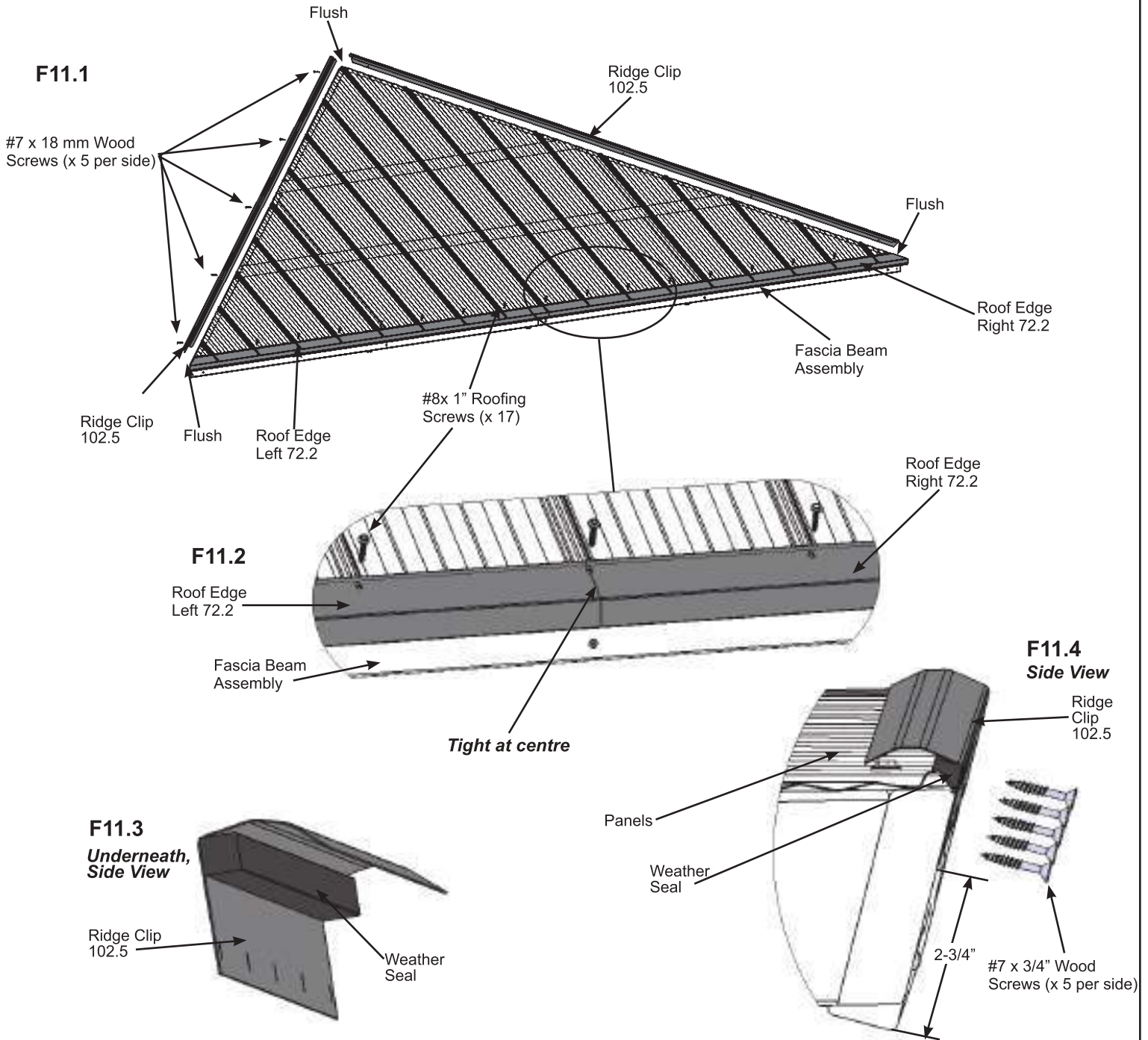
- 80 x #8 x 1" Roofing Screw

# Step 11: Attach Ridge Clips and Roof Edges - Small Roof



**A:** Place one Roof Edge Left 72.2 and one Roof Edge Right 72.2 on the bottom of each Small Roof Rafter Assembly so the ends are flush with the outside ends of the Fascia Beam Assembly and meet tight in the centre. Attach both Roof Edges with 17 #8 x 1" Roofing Screws per Small Roof Rafter assembly. (F11.1 and F11.2)

**B:** Place one Weather Seal on the inside of four Ridge Clip 102.5 then place one Ridge Clip 102.5 on each side of each Small Roof Rafter Assembly so they cover the panels and bottom edge is 2-3/4" up from the bottom of the Corner Rafters then attach with five #7 x 3/4" Wood Screws per Ridge Clip 102.5. (F11.1, F11.3 and F11.4)



### Components:

- 2 x Roof Edge Left 72.2
- 2 x Roof Edge Right 72.2
- 4 x Ridge Clip 102.5
- 4 x Weather Seal

### Hardware

- 34 x #8 x 1" Roofing Screw
- 20 x #7 x 3/4" Wood Screw

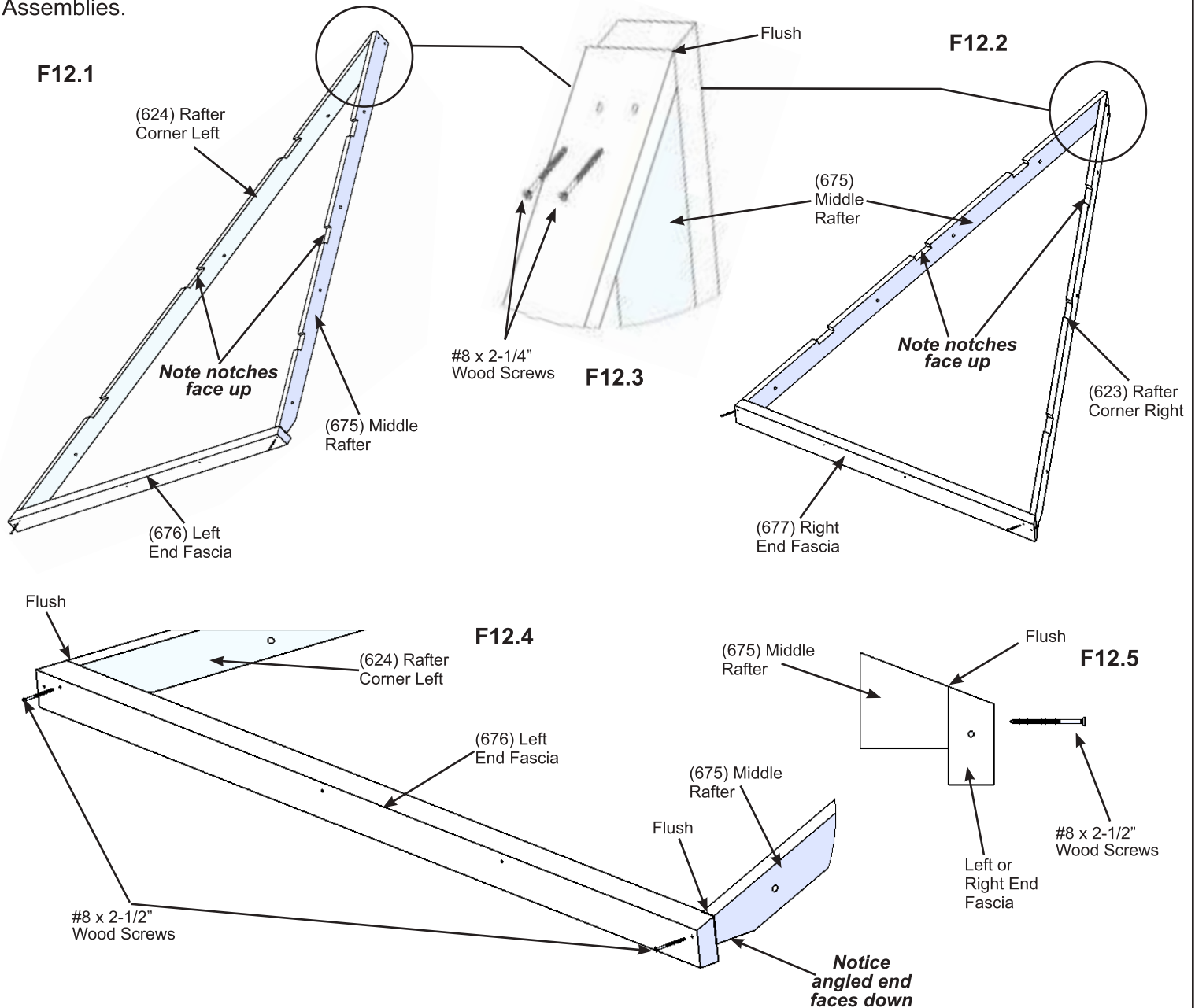
# Step 12: Corner Roof Assemblies

## Part 1

**A:** On the left side of one (675) Middle Rafter place one (624) Rafter Corner Left so the tops and edges are flush, notice on the (675) Middle Rafter the angled end at the bottom slopes down then attach with two #8 x 2-1/4" Wood Screws. Repeat this step by attaching one (623) Rafter Corner Right on the right side of one (675) Middle Rafter. (F12.1, F12.2 and F12.3)

**B:** Place one (676) Left End Fascia on the bottom of (624) Rafter Corner Left and (675) Middle Rafter so the tops and edges are flush then attach with two #8 x 2-1/2" Wood Screws. Repeat this step by attaching one (677) Right End Fascia to (623) Rafter Corner Right and (675) Middle Rafter. (F12.1, F12.2, F12.4 and F12.5)

**C:** Repeat Steps A and B to make a total of two Left Corner Roof Assemblies and two Right Corner Roof Assemblies.



### Wood Parts

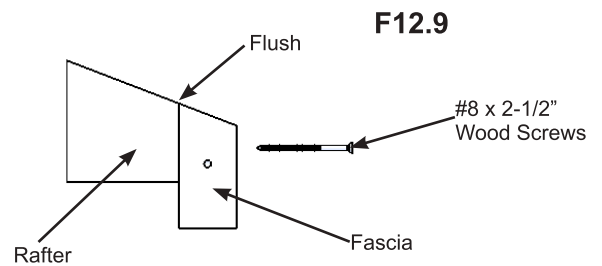
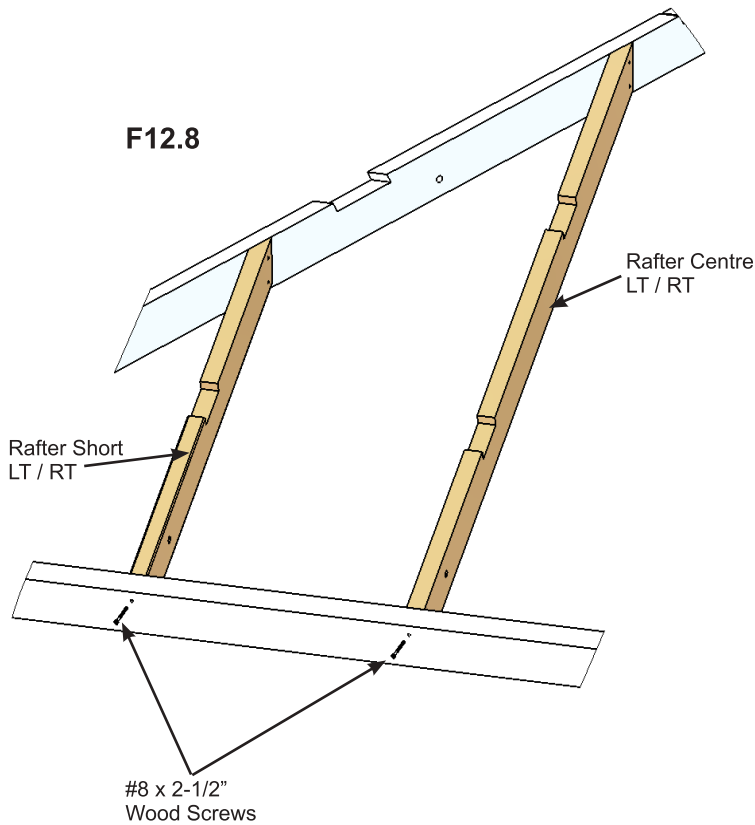
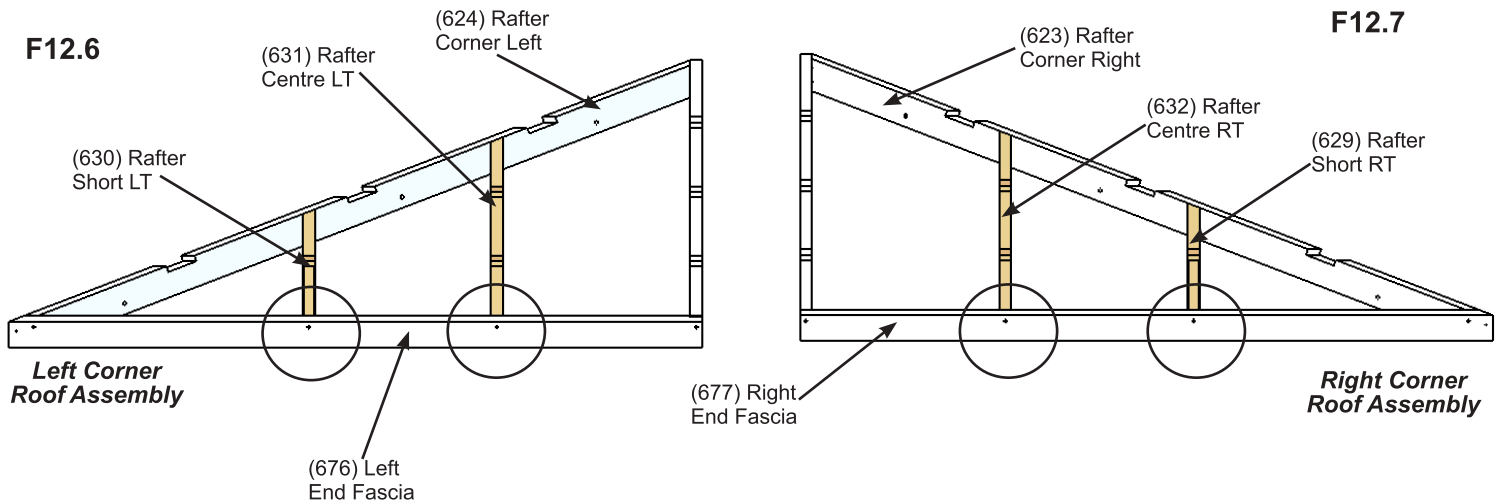
- 4 x (675) Middle Rafter
- 2 x (623) Rafter Corner Right
- 2 x (624) Rafter Corner Left
- 2 x (676) Left End Fascia
- 2 x (677) Right End Fascia

### Hardware

- 8 x #8 x 2-1/4" Wood Screw
- 8 x #8 x 2-1/2" Wood Screw

# Step 12: Corner Roof Assemblies Part 2

**D:** For each Right Corner Roof Assembly and each Left Corner Roof Assembly, place one (629) Rafter Short RT, one (632) Rafter Centre RT, one (631) Rafter Centre LT and one (630) Rafter Short LT over the pilot holes in the (677) Right End Fascia and (676) Left End Fascia so they are flush to the top of the assembly and tight to both (623) Rafter Corner Right and (624) Rafter Corner Left, as shown in F12.6 and F12.7. Attach each End Fascia to each rafter with one #8 x 2-1/2" Wood Screw per rafter. (F12.6, F12.7, F12.8 and F12.9)



### Wood Parts

- 2 x (629) Rafter Short RT
- 2 x (630) Rafter Short LT
- 2 x (631) Rafter Centre LT
- 2 x (632) Rafter Centre RT

### Hardware

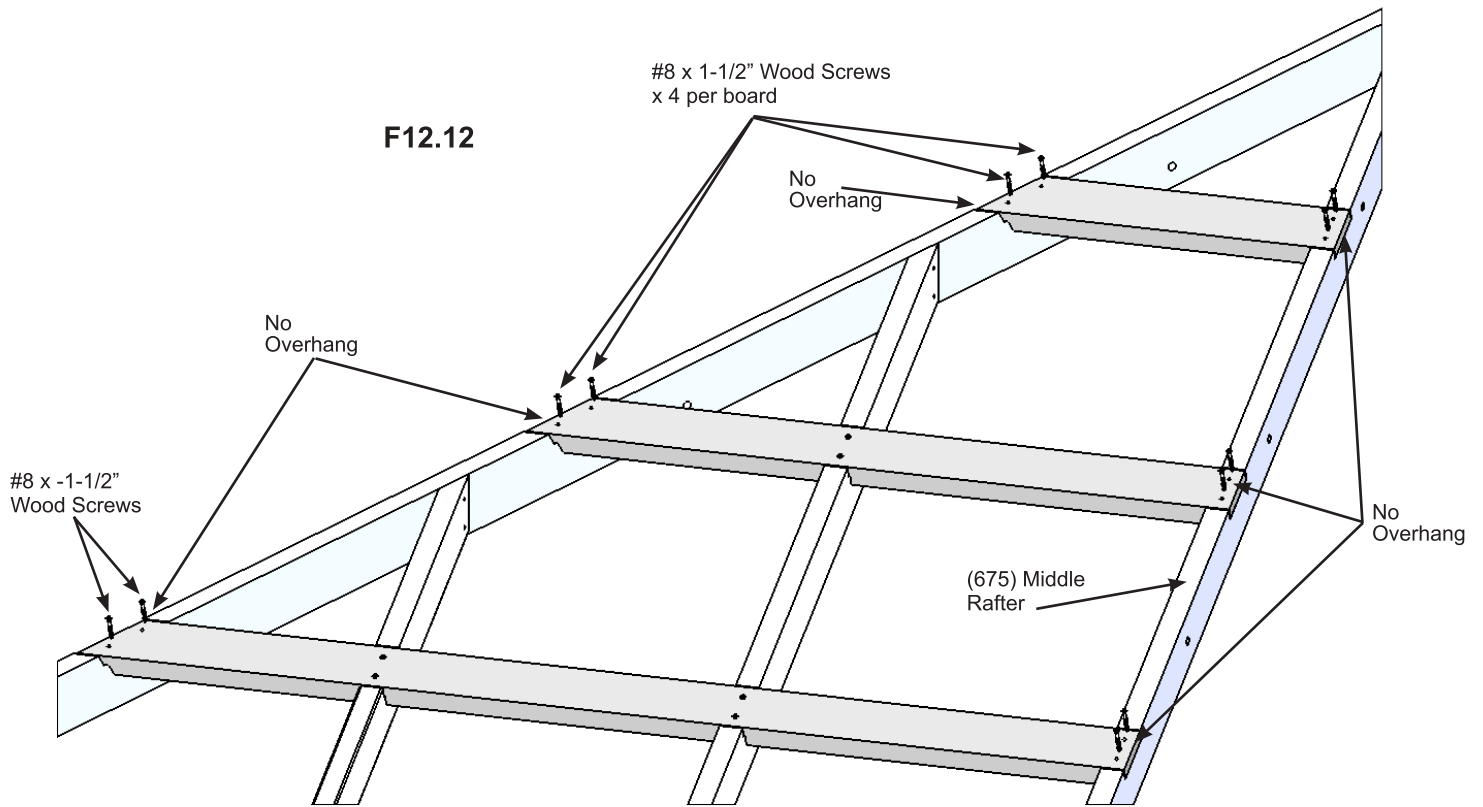
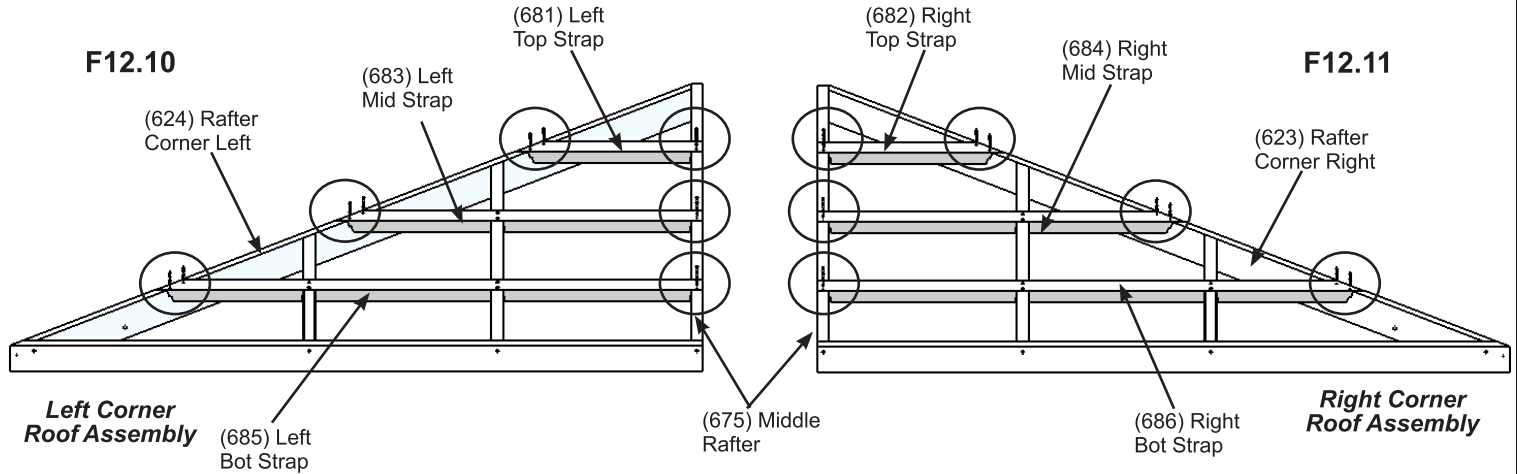
- 8 x #8 x 2-1/2" Wood Screw

# Step 12: Corner Roof Assemblies

## Part 3

**E:** For each Left Corner Roof Panel place one (681) Left Top Strap, one (683) Left Mid Strap and one (685) Left Bot Strap in the notches of each rafter so the ends do not overhang the outside edges of the outside boards then attach with four #8 x 1-1/2" Wood Screws per strap. (F12.10 and F12.12)

**F:** For each Right Corner Roof Panel place one (682) Right Top Strap, one (684) Right Mid Strap and one (686) Right Bot Strap in the notches of each rafter so the ends do not overhang the outside edges of the outside boards then attach with four #8 x 1-1/2" Wood Screws per strap. (F12.11 and F12.12)



### Wood Parts

- |                           |                           |
|---------------------------|---------------------------|
| 2 x (681) Left Top Strap  | 2 x (684) Right Mid Strap |
| 2 x (682) Right Top Strap | 2 x (685) Left Bot Strap  |
| 2 x (683) Left Mid Strap  | 2 x (686) Right Bot Strap |

### Hardware

- 48 x #8 x 1-1/2" Wood Screw

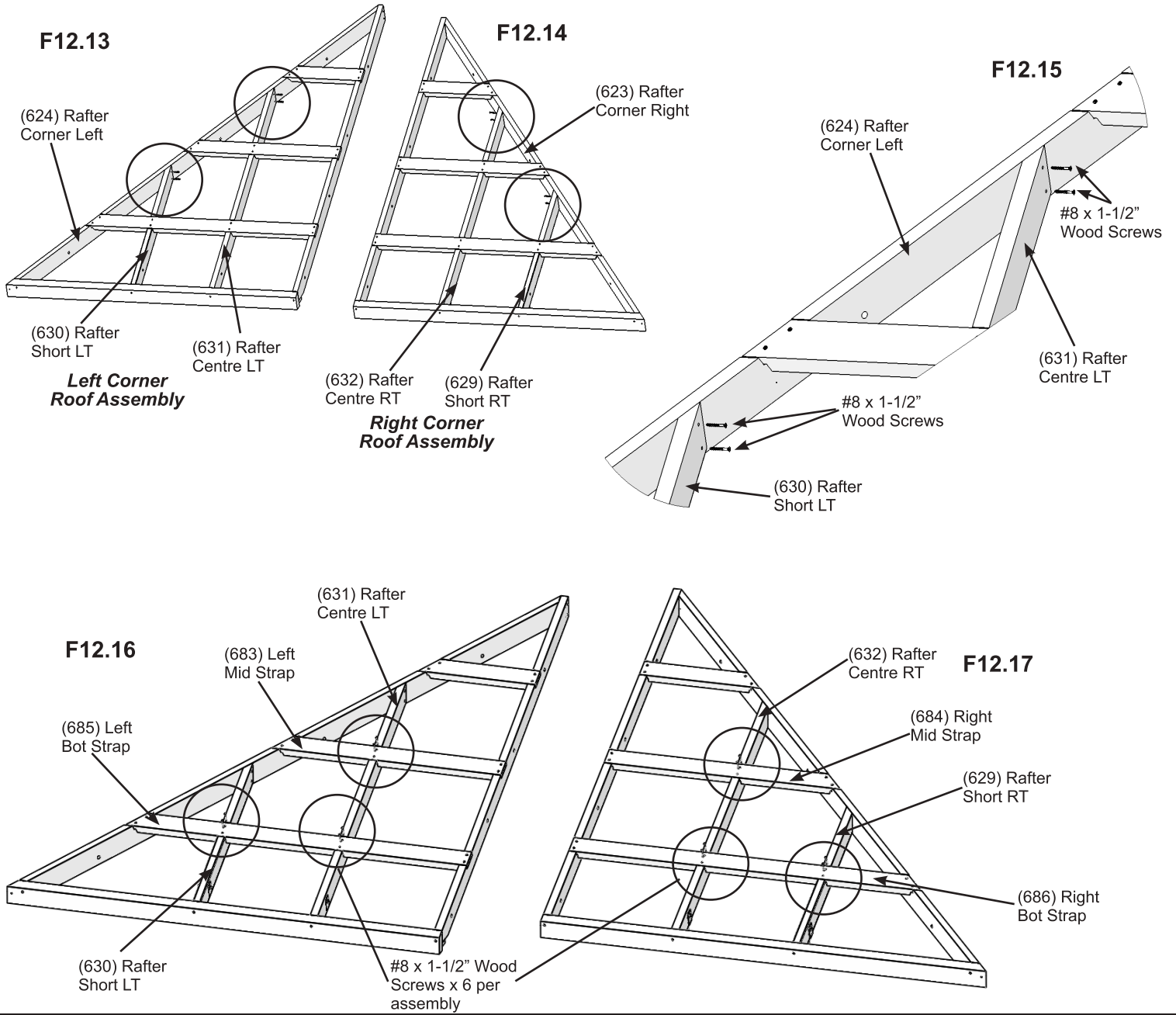
# Step 12: Corner Roof Assemblies

## Part 4

**G:** Attach (629) Rafter Short RT and (632) Rafter Centre RT to (623) Rafter Corner Right and (631) Rafter Centre LT and (630) Rafter Short LT to (624) Rafter Corner Left with two #8 x 1-1/2" Wood Screw per rafter. (F12.13, F12.14 and F12.15)

**H:** Attach (684) Right Mid Strap and (686) Right Bot Strap to (629) Rafter Short RT and (632) Rafter Centre RT; and (683) Left Mid Strap and (685) Left Bot Strap to (630) Rafter Short LT and (631) Rafter Centre LT with 12 #8 x 1-1/2" Wood Screws. (F12.16 and F12.17)

**I:** Complete Steps G and H for all Corner Roof Assemblies.

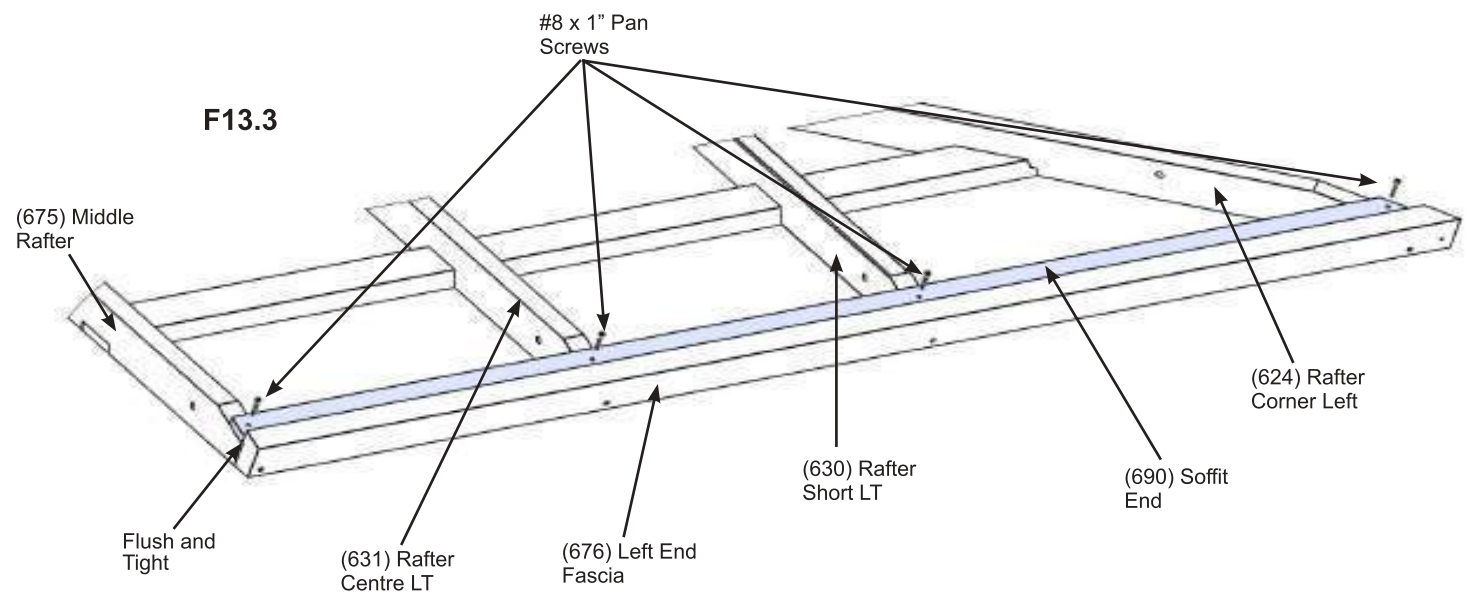
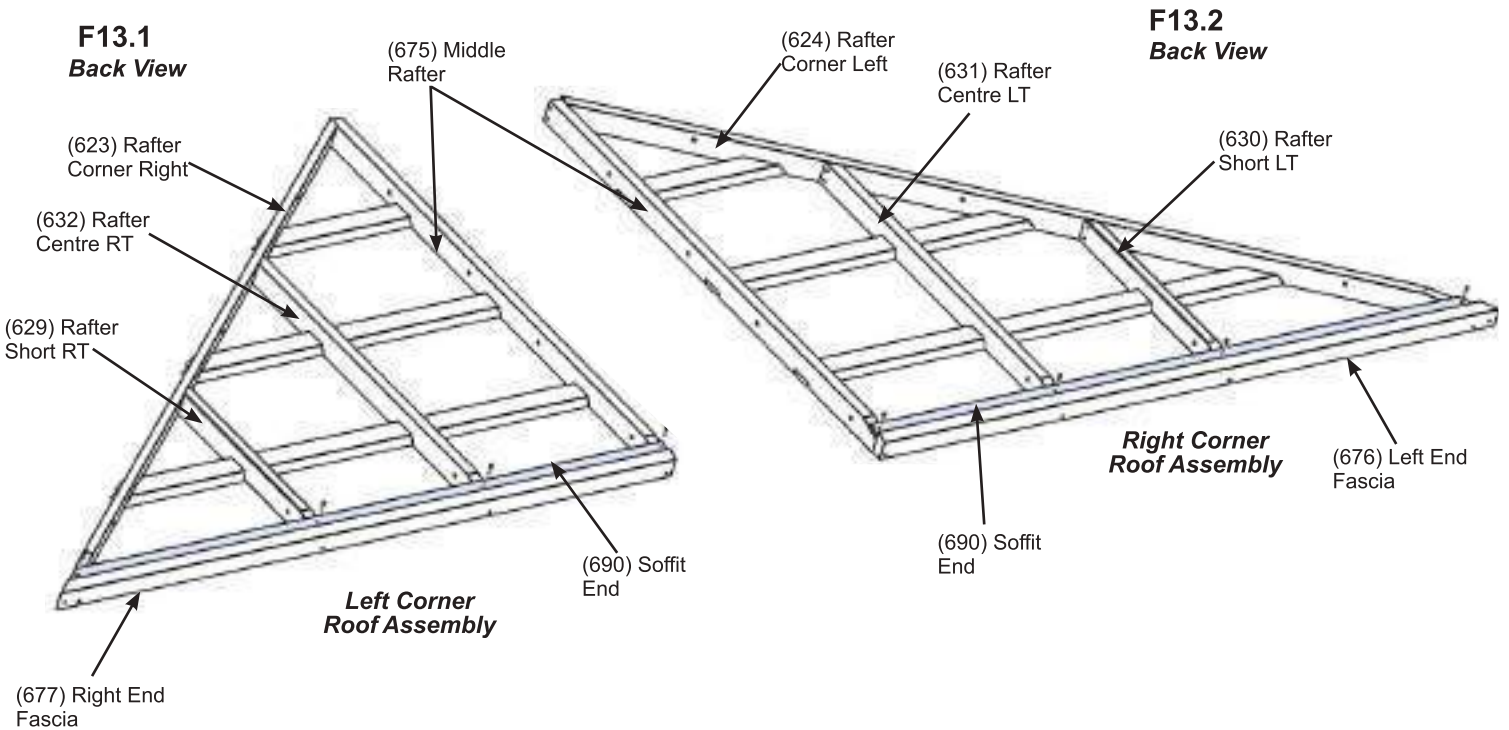


### Hardware

40 x #8 x 1-1/2" Wood Screw

# Step 13: Attach Soffits - Corner Roof Assemblies

**A:** Turn over each Corner Roof Assembly then place one (690) Soffit End tight to the top of each (676) Left End Fascia and each (677) Right End Fascia. Each (690) Soffit End must be flush with the outside edge of (675) Middle Rafter. Attach (690) Soffit Ends to each (675) Middle Rafter, (623) Rafter Corner Right, (624) Rafter Corner Left, (629) Rafter Short RT, (630) Rafter Short LT, (632) Rafter Centre RT and (631) Rafter Centre LT with four #8 x 1" Pan Screws per soffit. (F13.1, F13.2 and F13.3)



**Wood Parts**

4 x (690) Soffit End

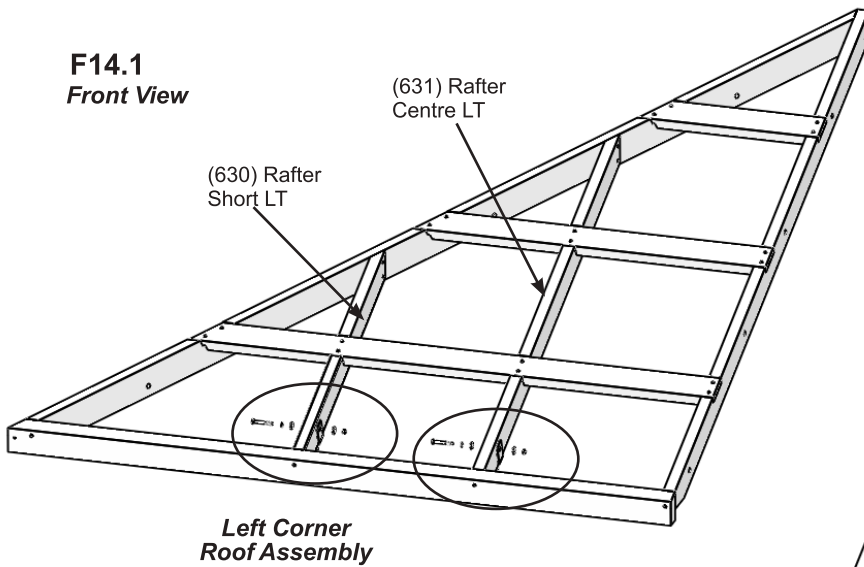
**Hardware**

16 x #8 x 1" Pan Screw

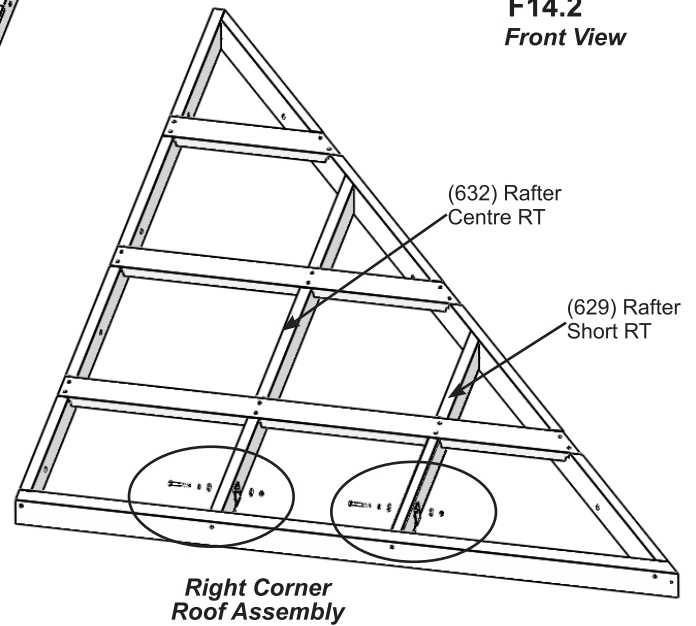
# Step 14: Attach Roof to Beam Brackets - Corner Roof Assemblies

**A:** Turn the assemblies back over then on the back of each Corner Roof Assembly, through the bolt hole at the bottom of the board, loosely attach one Roof to Beam Bracket to (629) Rafter Short RT, (632) Rafter Centre RT, (630) Rafter Short LT and (631) Rafter Centre LT with one 1/4 x 2" Hex Bolt (with two 1/4-5/16" large washers and one 1/4" lock nut) per bracket. (F14.1, F14.2, F14.3 and F14.4)

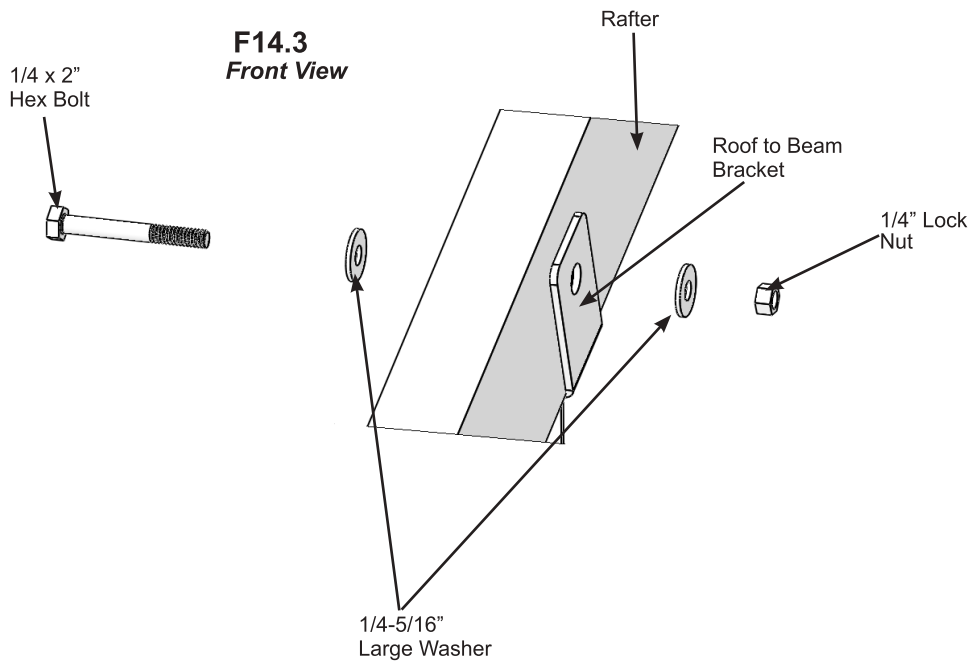
**F14.1**  
Front View



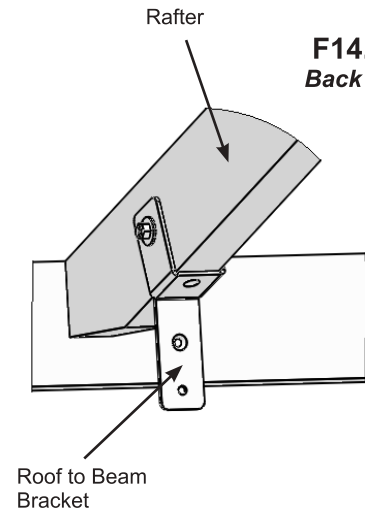
**F14.2**  
Front View



**F14.3**  
Front View



**F14.4**  
Back View



### Hardware

- 8 x 1/4 x 2" Hex Bolt  
(1/4-5/16" large washer x 2, 1/4" lock nut)
- 8 x Roof to Beam Bracket



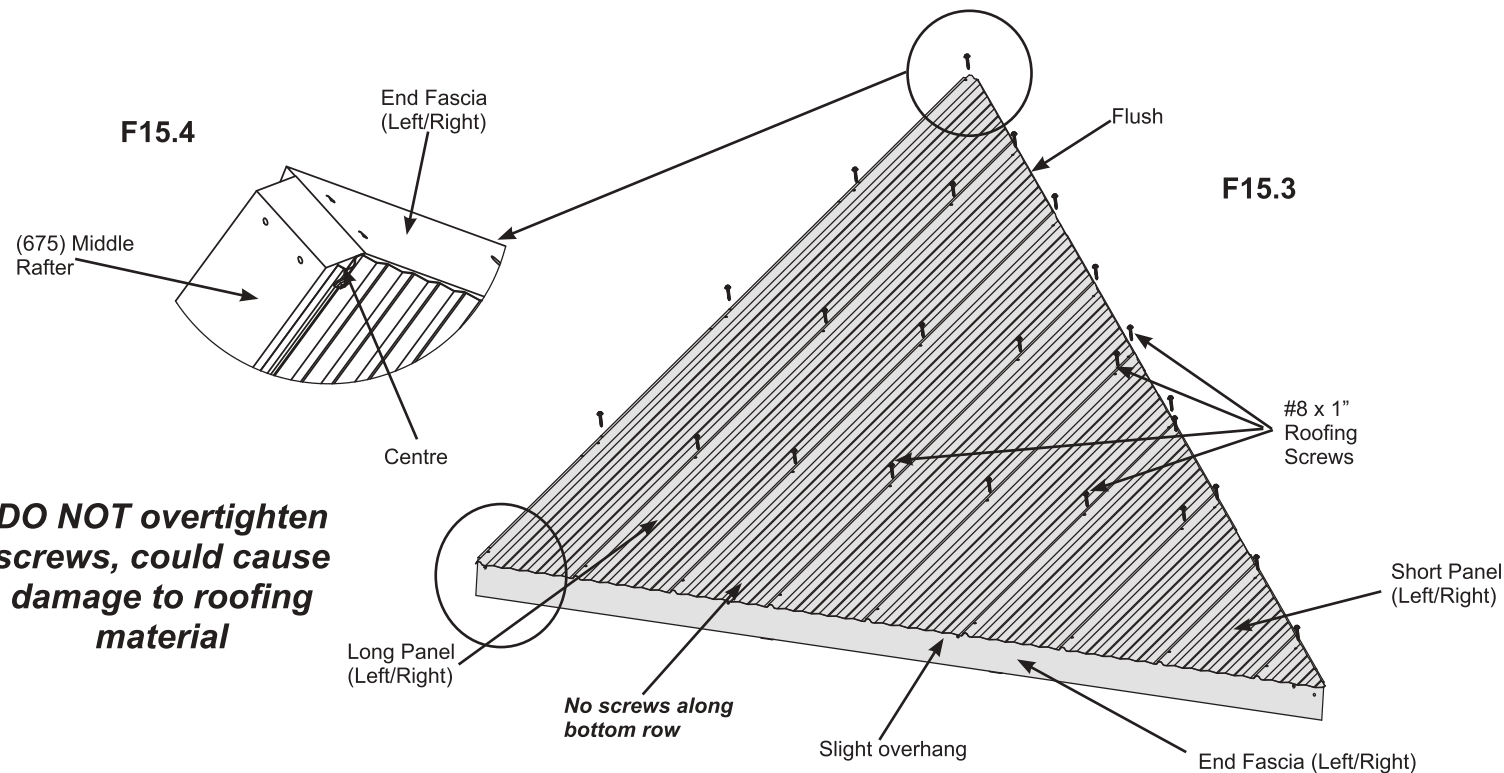
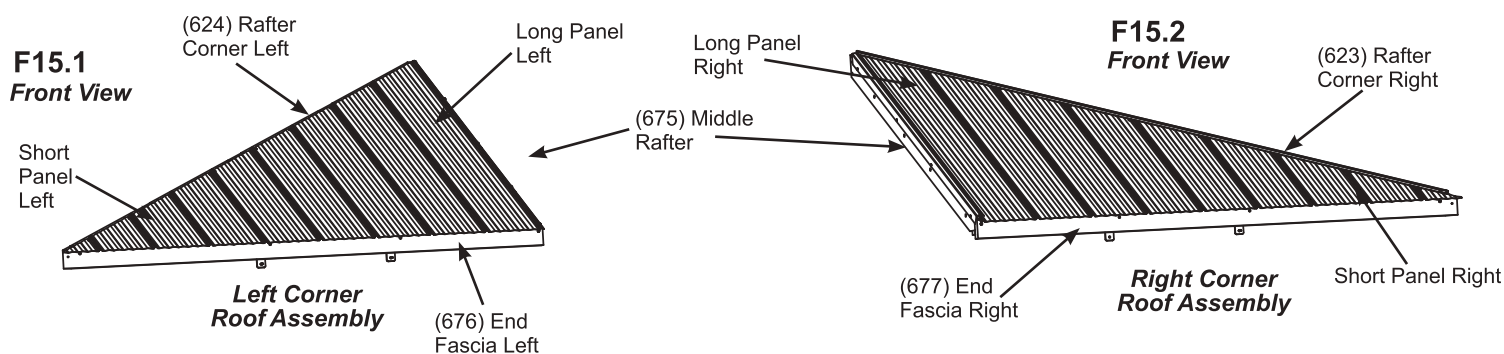
# Step 15: Attach Roof Panels - Corner Roof Assemblies

**IMPORTANT!: Before starting this step, be sure to refer back to pages 33 & 34 regarding correct installation and handling of the roofing.**

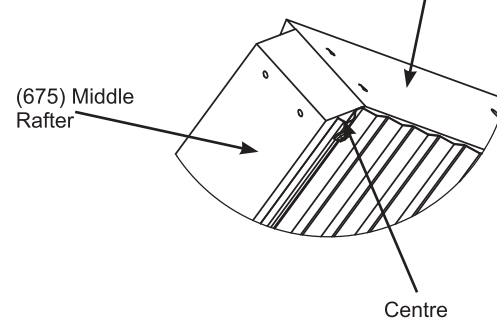
**A:** On the front of each Left Corner Roof Assembly place one Long Panel Left and one Short Panel Left so they are flush to the side of (624) Rafter Corner Left and the rib of Long Panel Left is centre on (675) Middle Rafter. There will be a slight overhang at the bottom of the (676) End Fascia Left. Short Panel Left should overlap Long Panel Left. There should be no overhang at the corners. (F15.1, F15.3 and F15.4)

**B:** On the front of each Right Corner Roof Assembly place one Long Panel Right and one Short Panel Right so they are flush to the sides of (623) Rafter Corner Right and the rib of Long Panel Right is centre on (675) Middle Rafter. There will be a slight overhang at the bottom of the (677) End Fascia Right. Short Panel Right should overlap Long Panel Right. There should be no overhang at the corners. (F15.2, F15.3 and F15.4)

**C:** Attach Long and Short Panels to each Corner Roof Assembly with 24 #8 x 1" Roofing Screws in locations shown in F15.3. Do not place any screws along the bottom row. Be sure not to overtighten screws.



**F15.4**



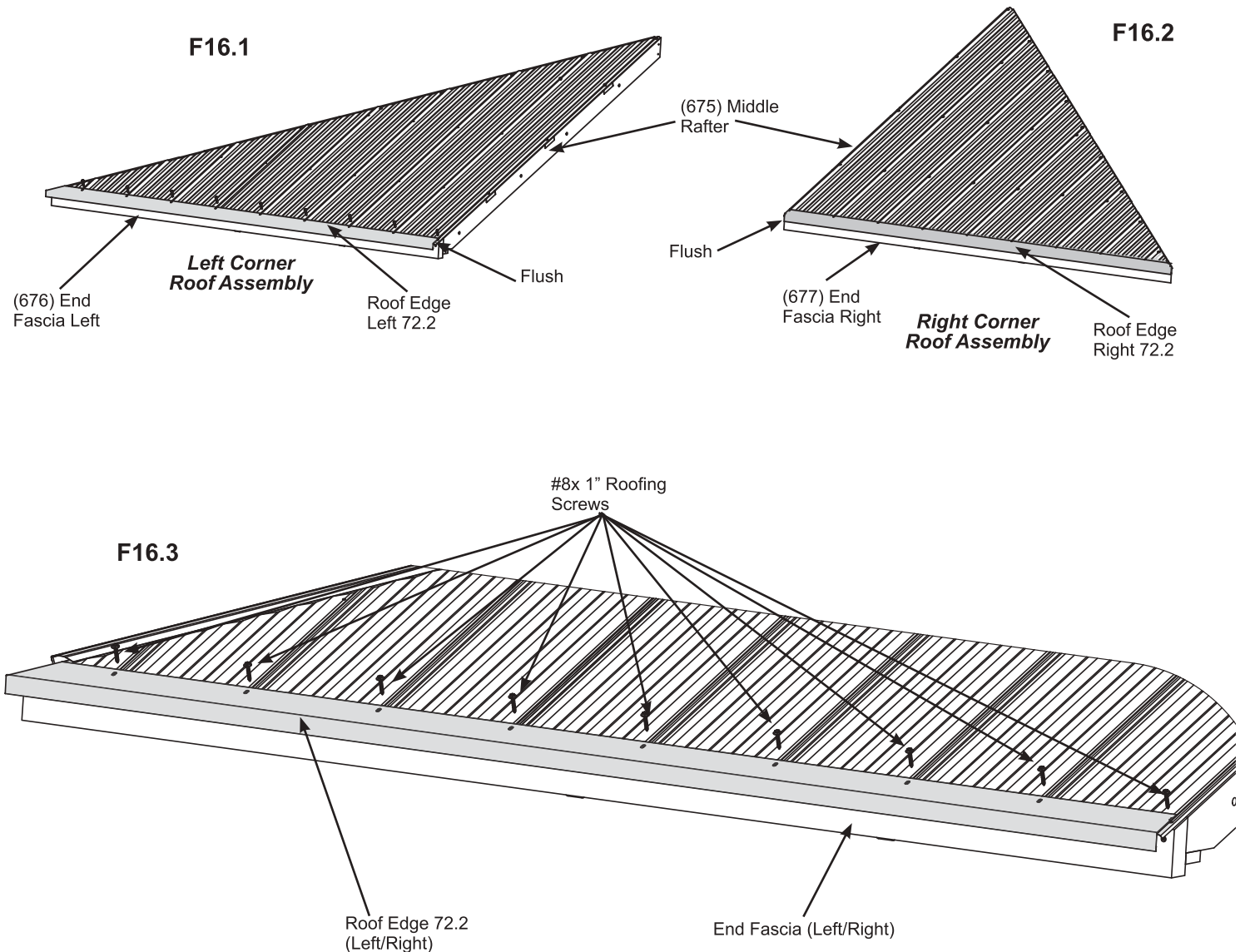
**DO NOT overtighten screws, could cause damage to roofing material**

Roof Parts	Hardware
2 x Long Panel Left	96 x #8 x 1" Roofing Screw
2 x Long Panel Right	
2 x Short Panel Left	
2 x Short Panel Right	

# Step 16: Attach Roof Edges - Corner Roof Assemblies

**A:** On the bottom of each Left Corner Roof Assembly place one Roof Edge Left 72.2 so the holes in the Roof Edge Left line up with the holes in the panels then attach Roof Edges with nine #8 x 1" Roofing Screws per Left Corner Roof Assembly. (F16.1 and F16.3)

**B:** On the bottom of each Right Corner Roof Assembly place one Roof Edge Right 72.2 so the holes in the Roof Edge Right line up with the holes in the panels then attach Roof Edges with nine #8 x 1" Roofing Screws per Right Corner Roof Assembly. (F16.2 and F16.3)



**Components:**

- 2 x Roof Edge Left 72.2
- 2 x Roof Edge Right 72.2

**Hardware**

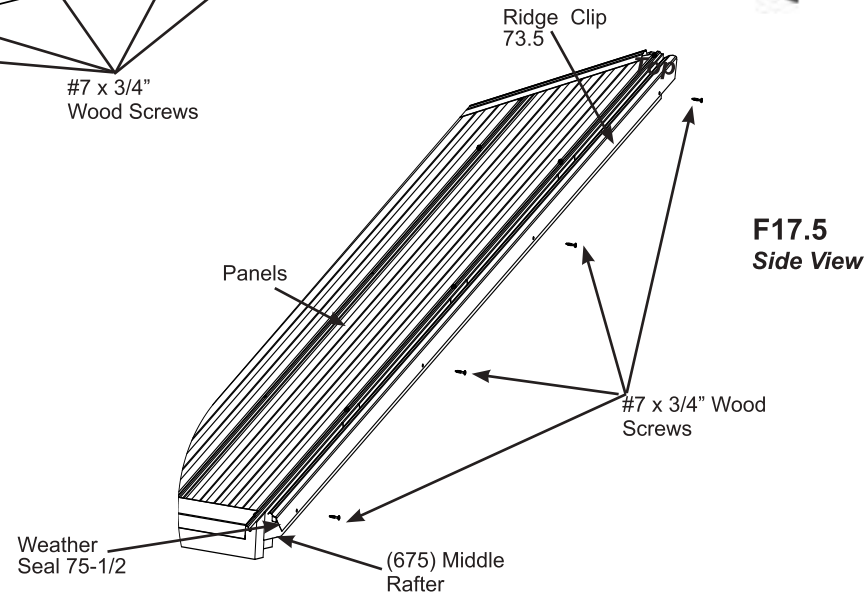
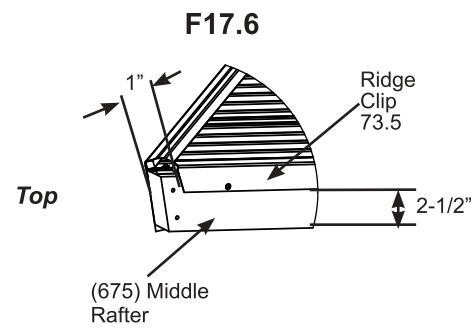
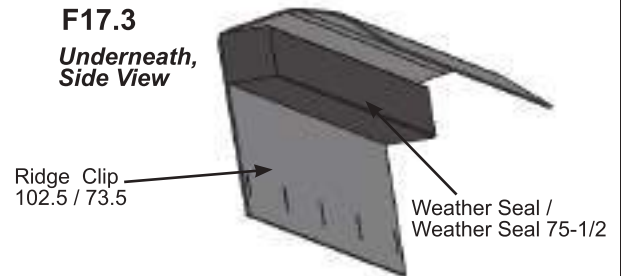
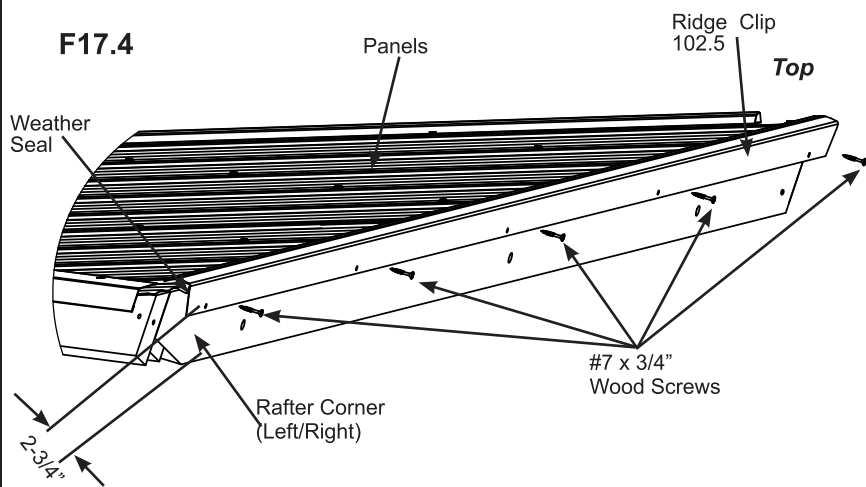
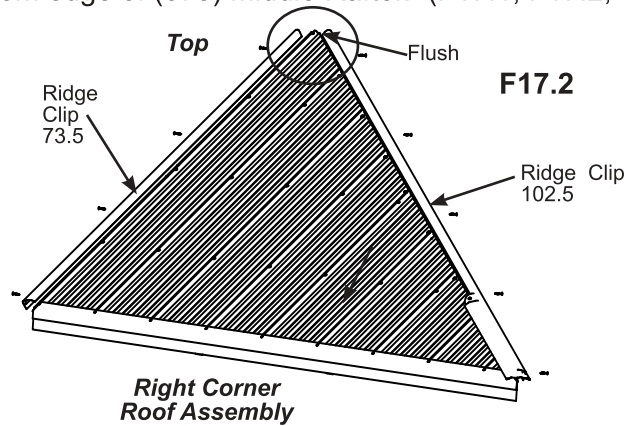
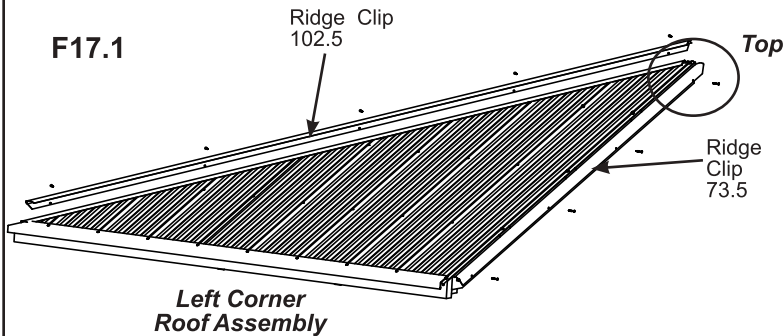
- 36 x #8 x 1" Roofing Screw

# Step 17: Attach Ridge Clips - Corner Roof Assemblies



**A:** Place one Weather Seal on the inside of four Ridge Clip 102.5 then place one Ridge Clip 102.5 on each (623) Rafter Corner Right and each (624) Rafter Corner Left so they cover the panels and are flush to the top, then attach with five #7 x 3/4" Wood Screws per Ridge Clip 102.5. Bottom edge of Ridge Clip 102.5 should be 2-3/4" up from the bottom edge of Rafter Corners Left and Right. (F17.1, F17.2, F17.3 and F17.4)

**B:** Place one Weather Seal 75-1/2 on the inside of four Ridge Clip 73.5 then place one Ridge Clip 73.5 on each (675) Middle Rafter on both Left and Right Corner Roof Assemblies so they cover the panels and attach with four #7 x 3/4" Wood Screws per Ridge Clip 73.5. The top of each Ridge Clip 73.5 should be 1" from the tip of (675) Rafter Middle and bottom edge should be 2-1/2" up from the bottom edge of (675) Middle Rafter. (F17.1, F17.2, F17.3, F17.5 and F17.6)



### Components:

- 4 x Ridge Clip 102.5
- 4 x Ridge Clip 73.5
- 4 x Weather Seal
- 4 x Weather Seal 75-1/2

### Hardware

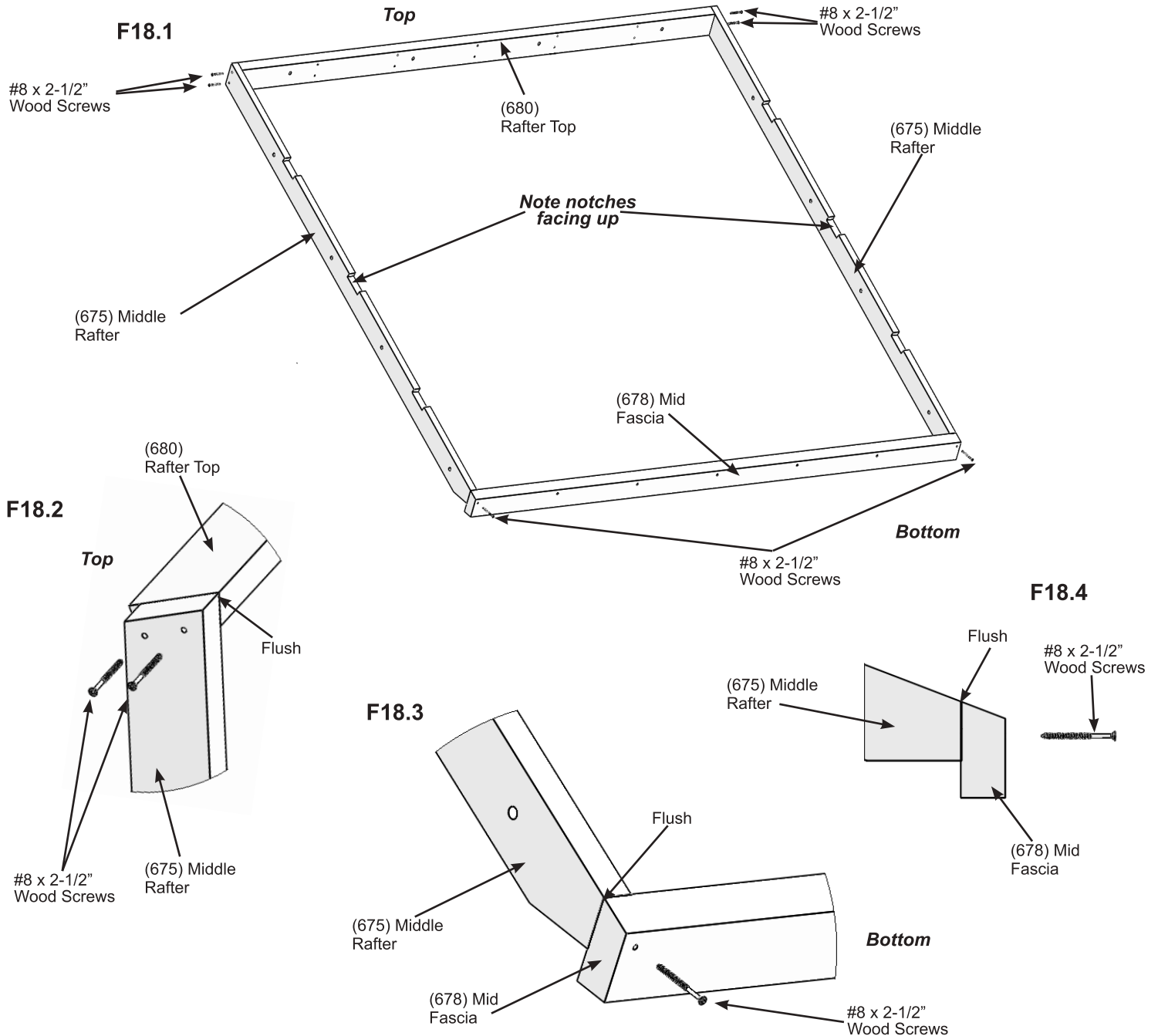
- 36 x #7 x 3/4" Wood Screw

# Step 18: Large Roof Assembly Part 1

**A:** On each side of one (680) Rafter Top place one (675) Middle Rafter so the tops and edges are flush then attach with two #8 x 2-1/2" Wood Screws per side. (F18.1 and F18.2)

**B:** Place one (678) Mid Fascia on the bottom of each (675) Middle Rafter so the sides and top are flush then attach with one #8 x 2-1/2" Wood Screw at each end. (F18.1, F18.3 and F18.4)

**C:** Repeat Steps A and B to make a second Large Roof Assembly.



### Wood Parts

- 4 x (675) Middle Rafter
- 2 x (678) Mid Fascia
- 2 x (680) Rafter Top

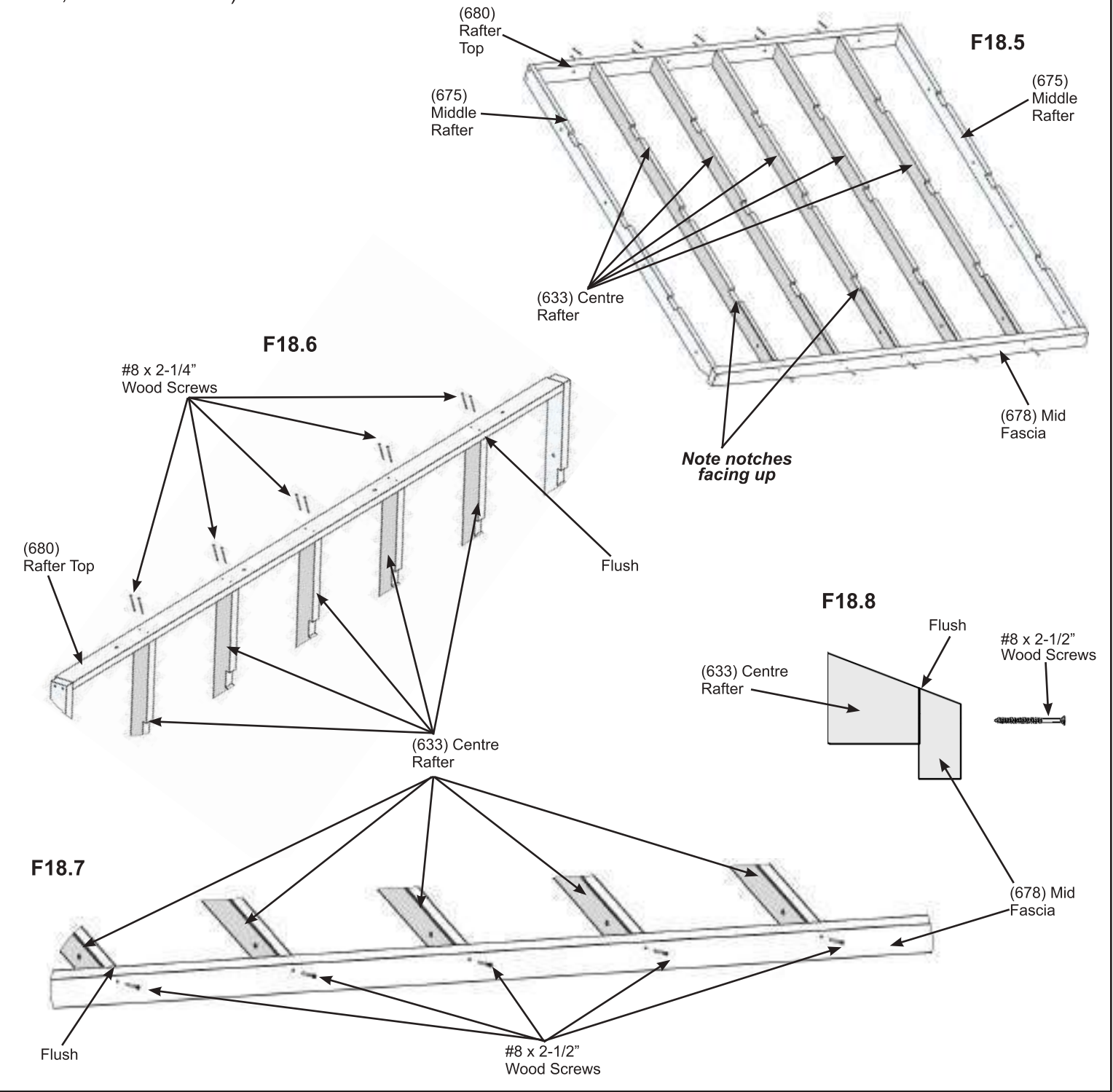
### Hardware

- 12 x #8 x 2-1/2" Wood Screw

# Step 18: Large Roof Assembly Part 2



**D:** Place five (633) Centre Rafters over the pilot holes in (678) Mid Fascia and (680) Rafter Top so they are flush to the top of each board, as shown in F18.5. Make sure (633) Centre Rafters are square to (678) Mid Fascia and (680) Rafter Top then attach (680) Rafter Top to rafters with two #8 x 2-1/4" Wood Screws per rafter and (678) Mid Fascia to rafters with one #8 x 2-1/2" Wood Screw per rafter. Repeat for second Large Roof Assembly. (F18.5, F18.6, F18.7 and F18.8)



### Wood Parts

10 x (633) Centre Rafter

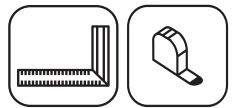
### Hardware

20 x #8 x 2-1/4" Wood Screw

10 x #8 x 2-1/2" Wood Screw

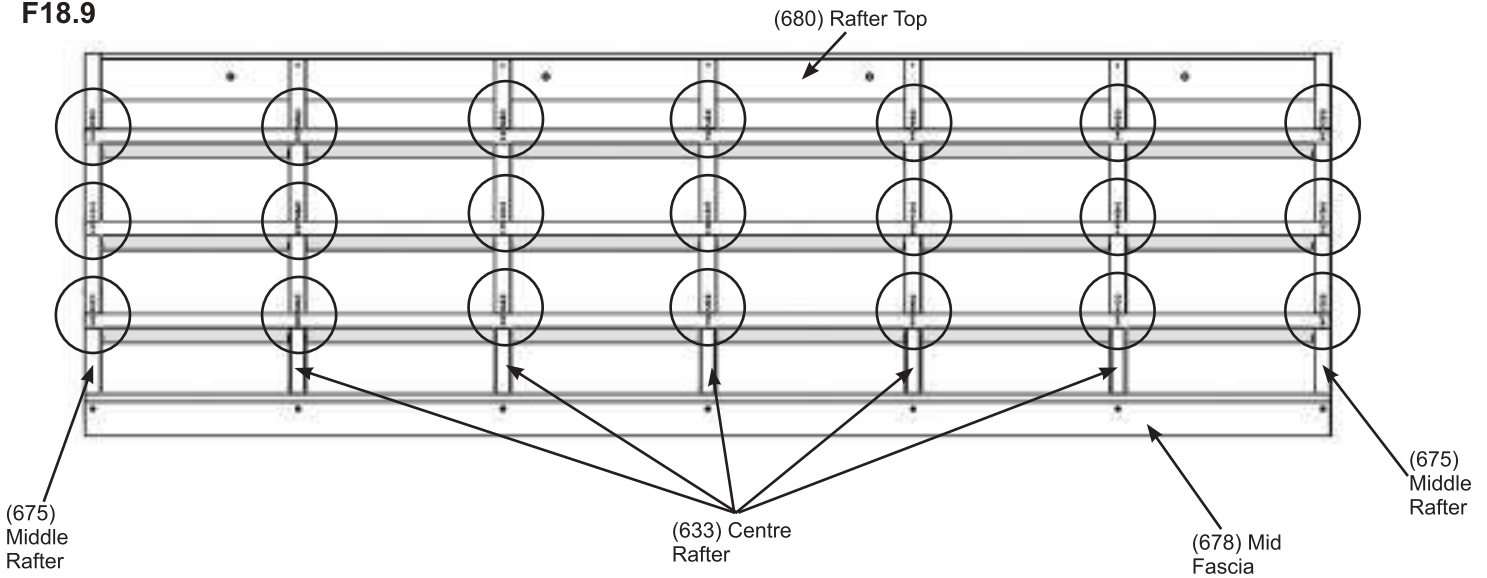
# Step 18: Large Roof Assembly

## Part 3



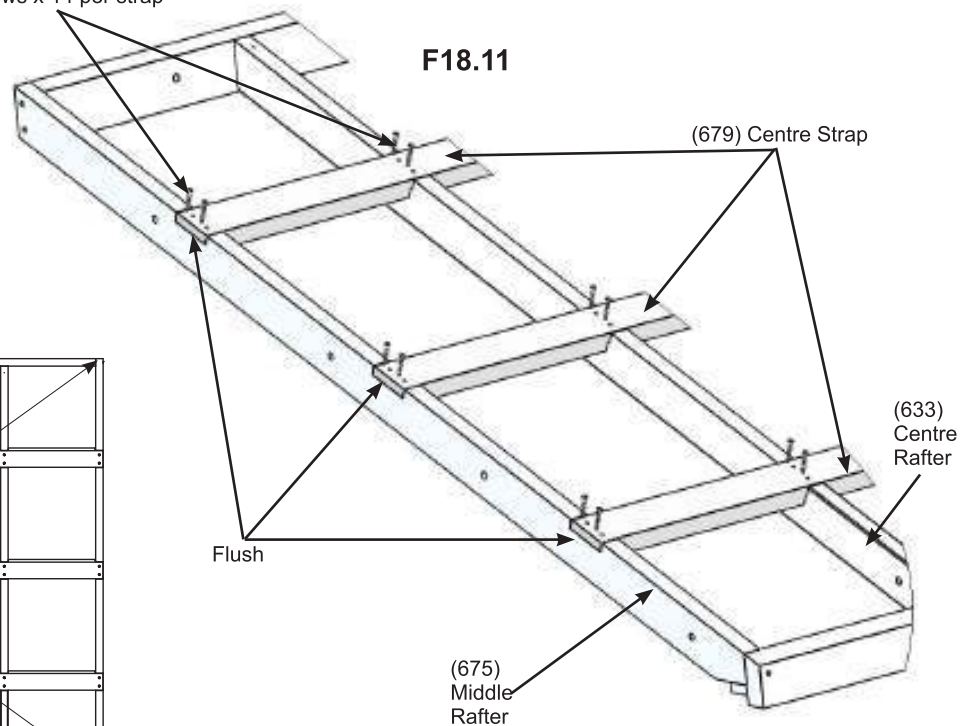
**E:** Place three (679) Centre Straps in the notches of each (675) Middle Rafter and each (633) Centre Rafter so the ends are flush to the outside edges of (675) Middle Rafters. Make sure assembly is square then attach with 14 #8 x 1-1/2" Wood Screws per strap. Repeat for second Large Roof Assembly. (F18.9, F18.10 and F18.11)

**F18.9**



#8 x 1-1/2" Wood Screws x 14 per strap

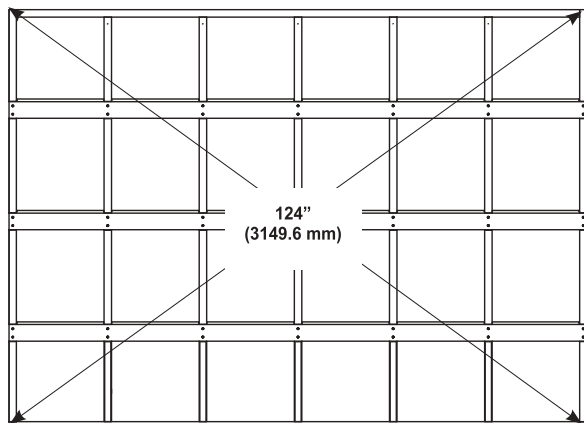
**F18.11**



**F18.10**

*Front View*

*Top*



*Bottom*

**Wood Parts**

6 x (679) Centre Strap

**Hardware**

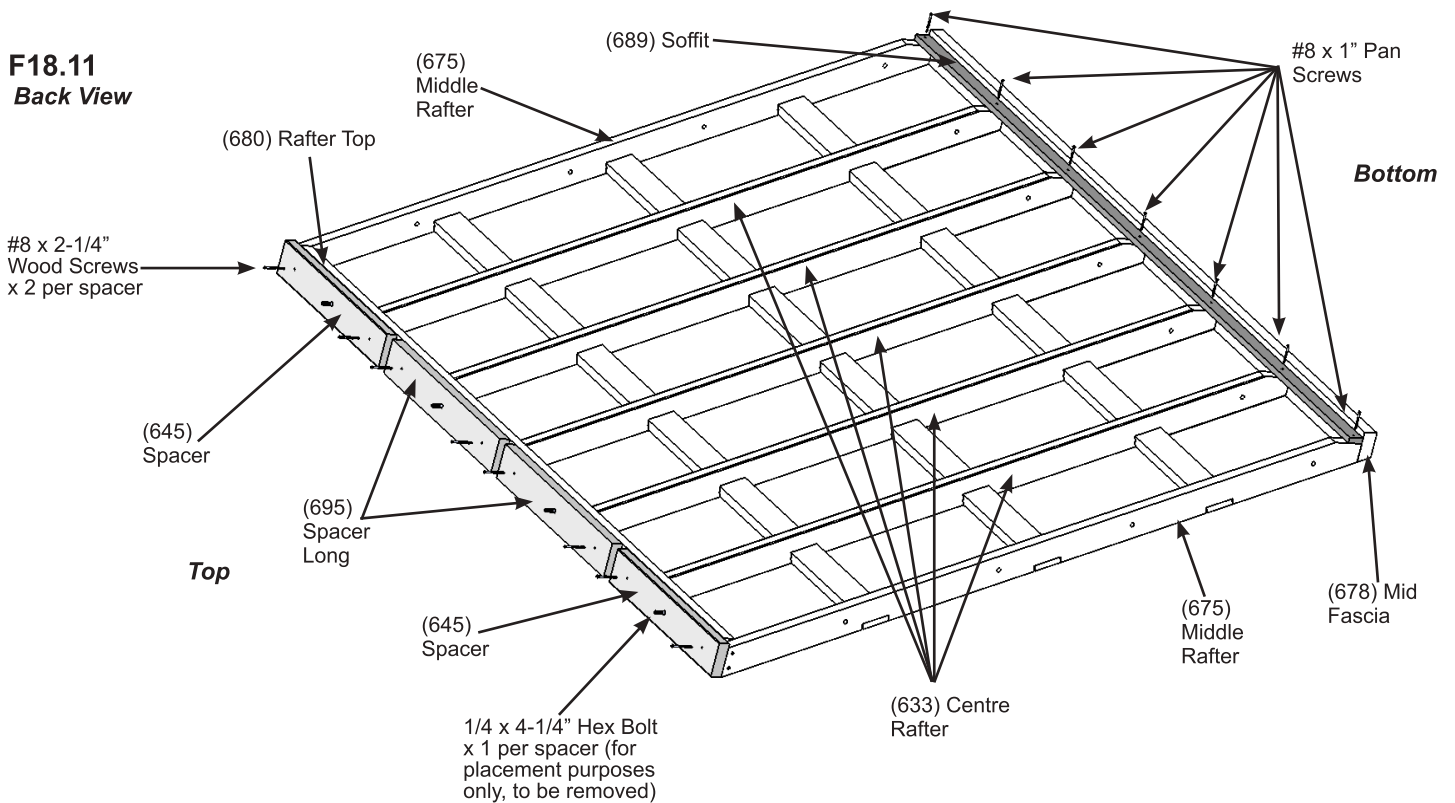
84 x #8 x 1-1/2" Wood Screw

# Step 18: Large Roof Assembly Part 4

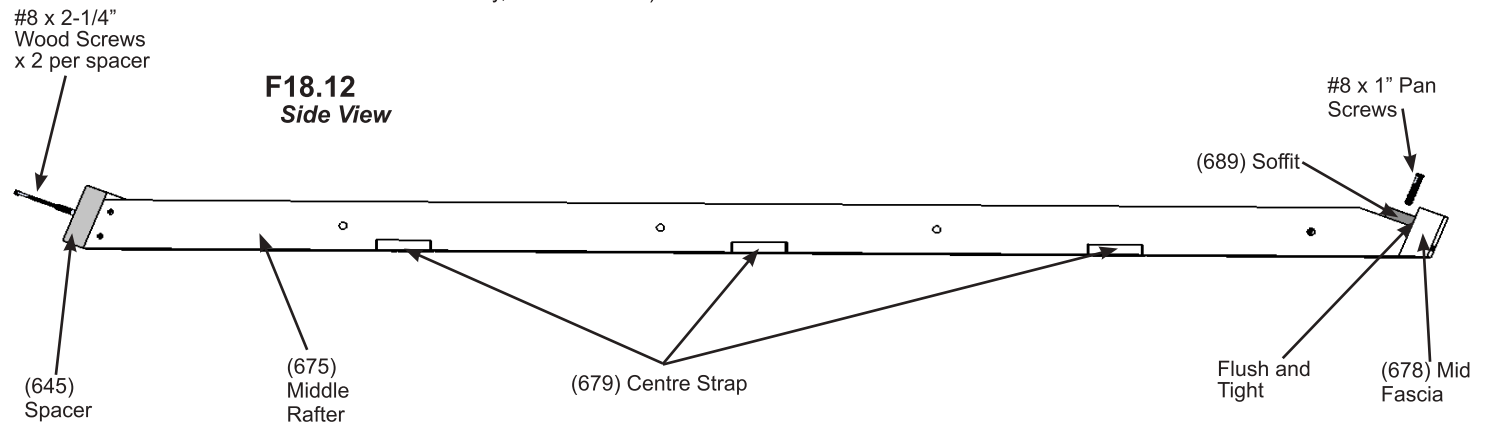
**F:** Turn over each Large Roof Assembly then place one (689) Soffit tight to the top of (678) Mid Fascia (689) Soffit must be flush with the outside edge of (675) Middle Rafter. Attach (689) Soffit to each (675) Middle Rafter and each (633) Centre Rafter with seven #8 x 1" Pan Screws. Install (689) Soffit on both Large Roof Assemblies. (F18.11 and F18.12)

**G:** On only one Large Roof Assembly, place one (645) Spacer at each end of (680) Rafter Top and two (695) Spacer Longs, evenly spaced, in between the (645) Spacers. To find the correct placement of each spacer insert one 1/4 x 4-1/4" Hex Bolt through (680) Rafter Top into each (645) Spacer and (695) Spacer Long. The bolts are for placement only, they are to be removed at the end of this step. Attach each spacer to (680) Roof Top with two #8 x 2-1/4" Wood Screws per spacer. Remove bolts, to be used in Step 24. (F18.11 and F18.12)

**F18.11**  
**Back View**



**F18.12**  
**Side View**



**Wood Parts**

- 2 x (689) Soffit
- 2 x (645) Spacer
- 2 x (695) Spacer Long

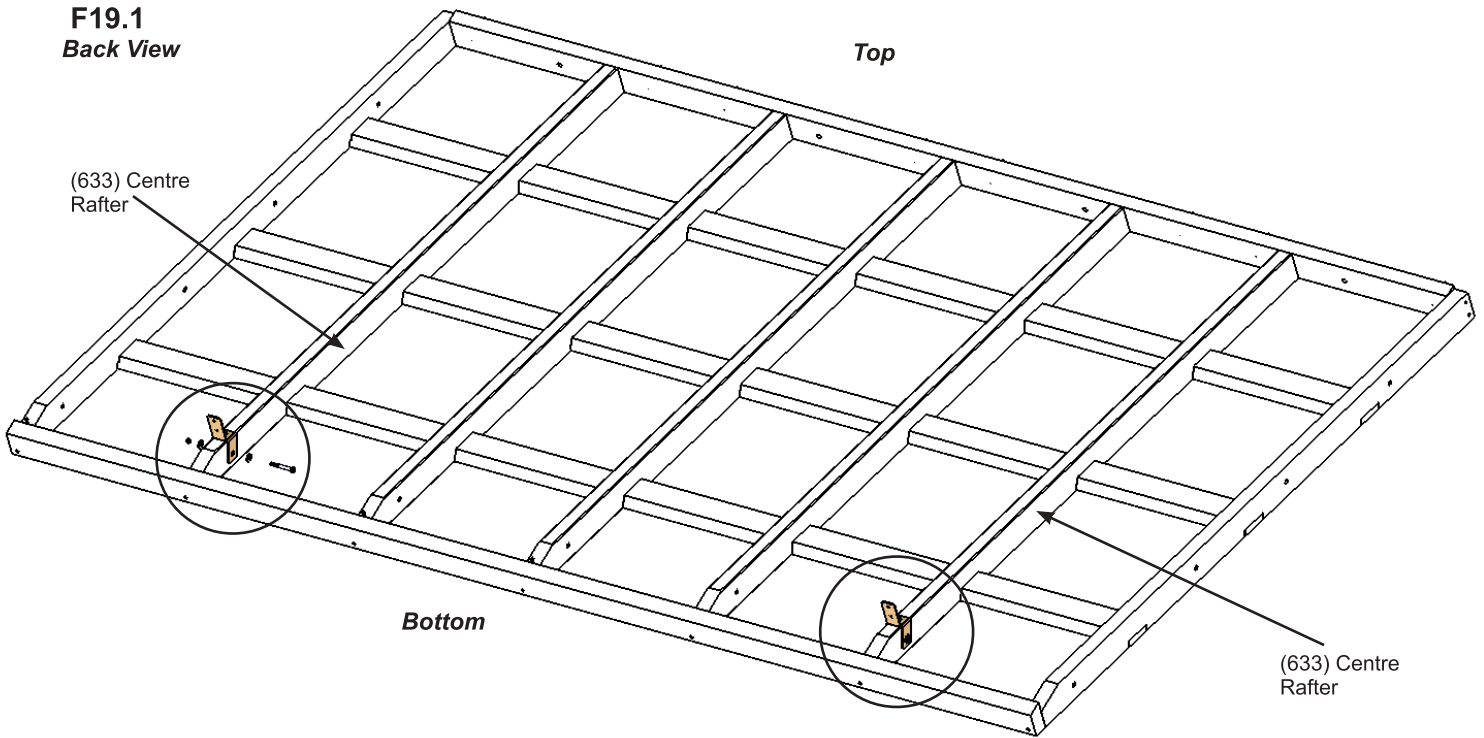
**Hardware**

- 14 x #8 x 1" Pan Screw
- 8 x #8 x 2-1/4" Wood Screw
- 4 x 1/4 x 4-1/4" Hex Bolt (for placement purposes only)

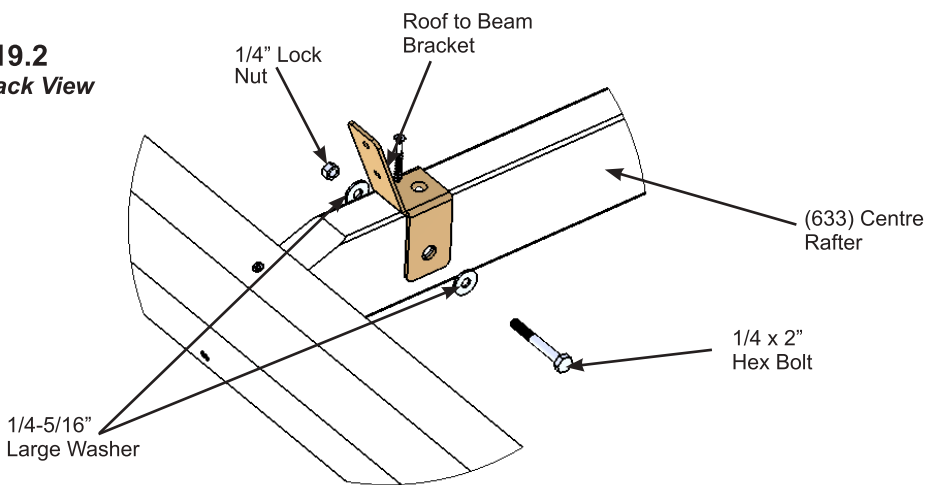
# Step 19: Attach Roof to Beam Brackets - Large Roof Assemblies

**A:** On the back of each Large Roof Assembly, through the bolt hole at the bottom of the board, loosely attach one Roof to Beam Bracket to the two outside (633) Centre Rafters with one 1/4 x 2" Hex Bolt (with two 1/4-5/16" large washers and one 1/4" lock nut) per bracket. (F19.1 and F19.2)

**F19.1**  
*Back View*



**F19.2**  
*Back View*



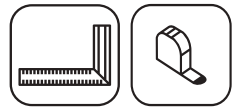
### Hardware

4 x 1/4 x 2" Hex Bolt  
(1/4-5/16" large washer x 2, 1/4" lock nut)

4 x Roof to Beam Bracket



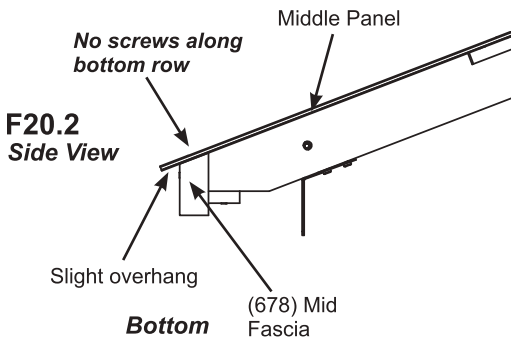
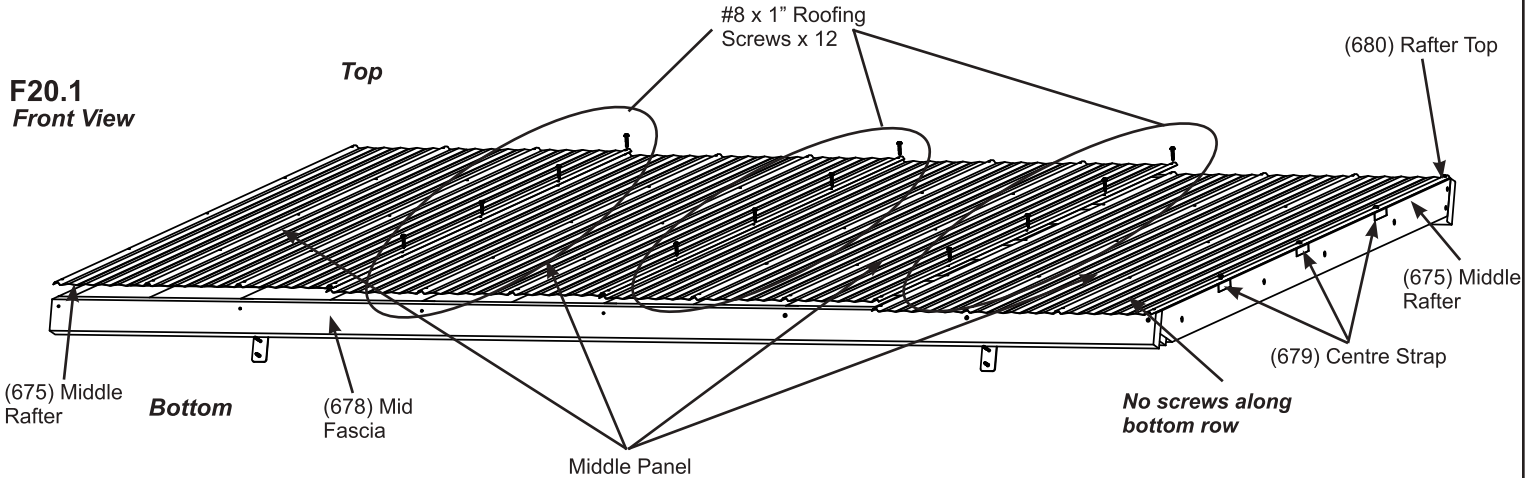
# Step 20: Attach Roof Panels - Large Roof Assemblies Part 1



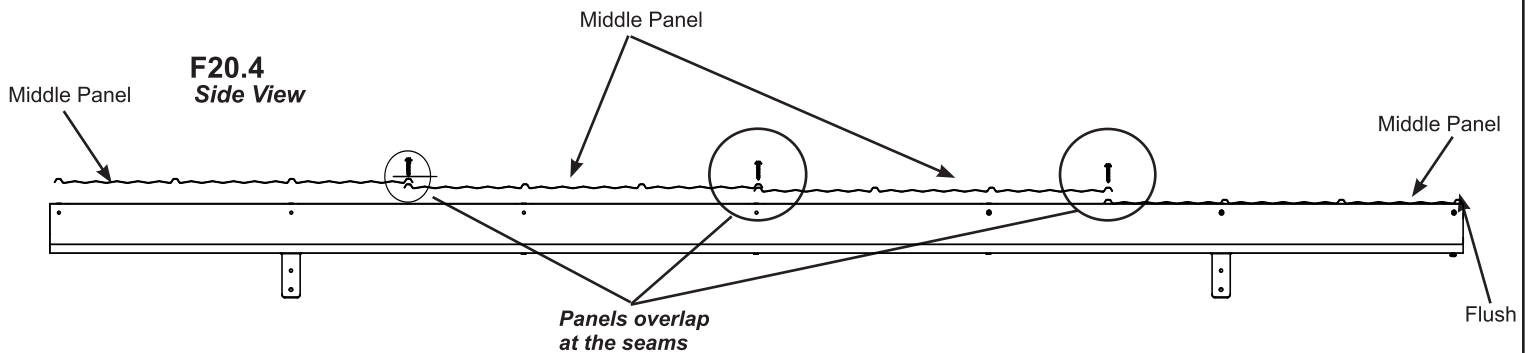
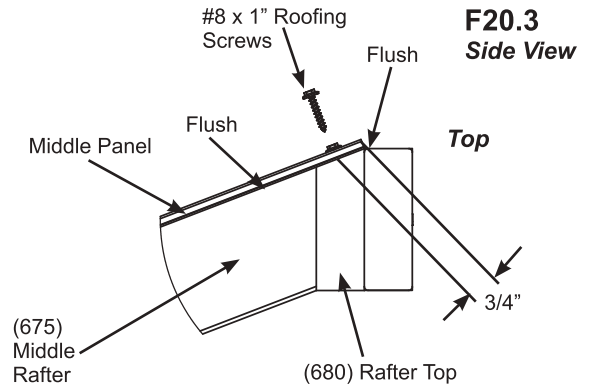
**IMPORTANT!** Before starting this step, be sure to refer back to pages 33 & 34 regarding correct installation and handling of the roofing.

**A:** Turn over Large Roof Assemblies, make sure they are still square. Place four Middle Panels flush to the top and sides of (680) Rafter Top and (675) Middle Rafter. There will be an overhang at the bottom over (678) Mid Fascia. The panels overlap and screw holes line up as shown in F20.4. Attach each panel, where they overlap to each (679) Centre Strap and to each (675) Middle Rafter with 12 #8 x 1" Roofing Screws. Do not install screws along the bottom row. (F20.1, F20.2, F20.3 and F20.4)

**Note:** The holes at the top of each Middle Panel are 3/4" from the top. (F20.3)



**DO NOT** overtighten screws, could cause damage to roofing material



## Roof Parts

8 x Middle Panel

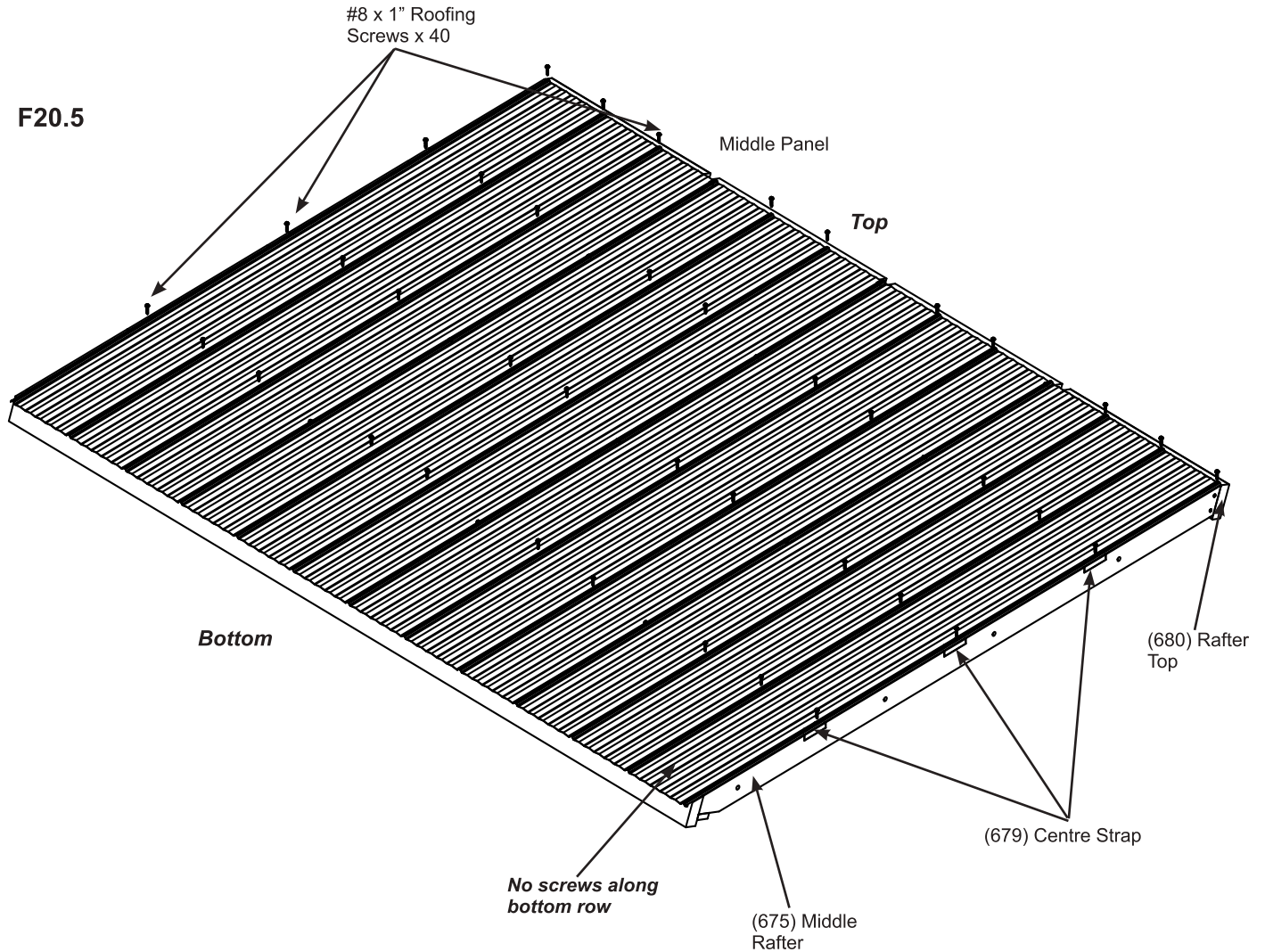
## Hardware

24 x #8 x 1" Roofing Screw

## Step 20: Attach Roof Panels - Large Roof Assemblies Part 2

**B:** Attach panels to (675) Middle Rafter and each (679) Centre Strap in the remaining holes with 40 #8 x 1" Roofing Screws as shown in F20.5. Do not install screws along the bottom row.

**C:** Repeat Steps A and B for both Large Roof Assemblies.



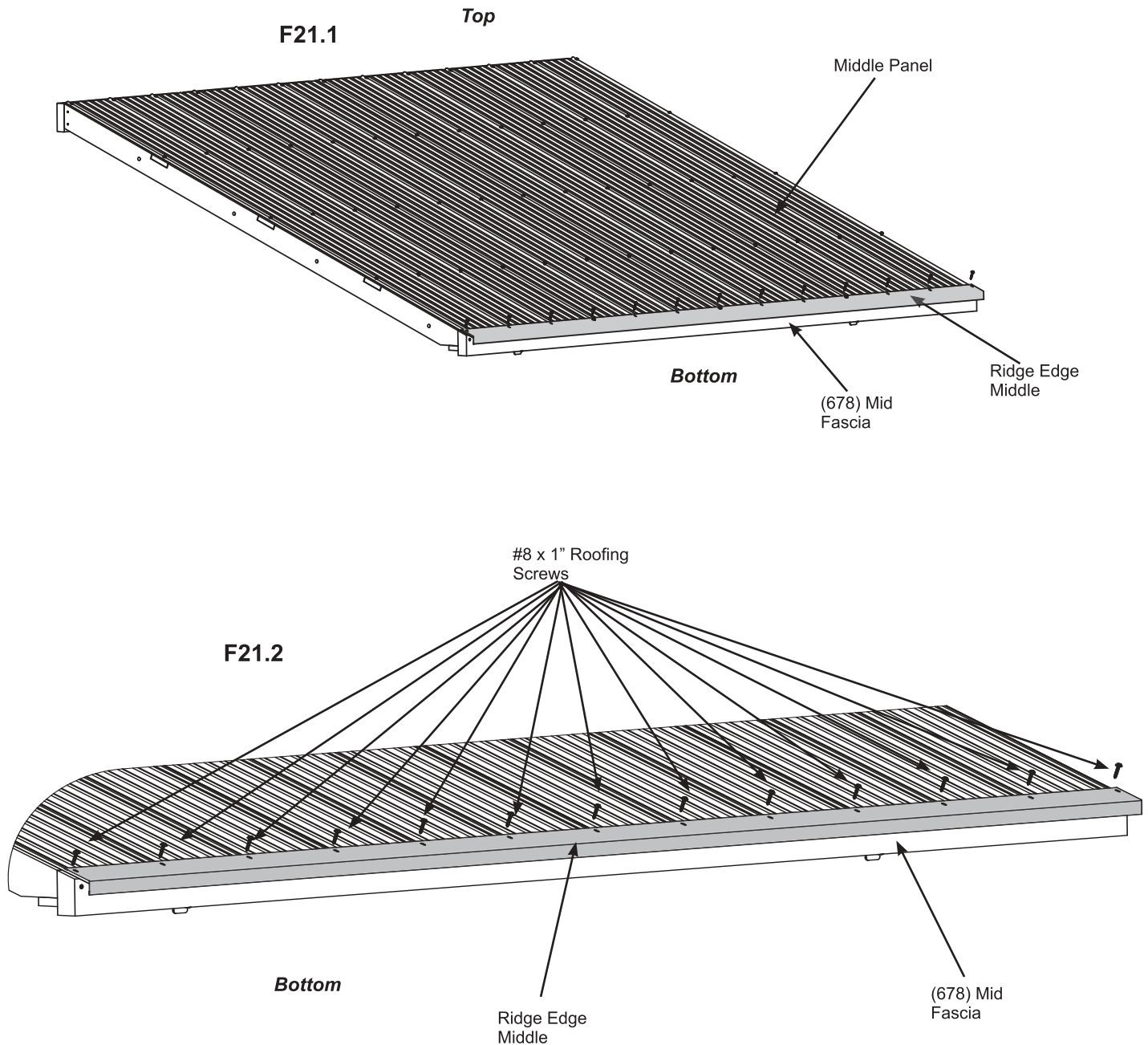
**DO NOT overtighten screws, could cause damage to roofing material**

### Hardware

80 x #8 x 1" Roofing Screw

## Step 21: Attach Roof Edges - Large Roof Assemblies

**A:** On the bottom of each Large Roof Assembly place one Ridge Edge Middle so the holes line up with the holes in the Middle Panels then attach with 13 #8 x 1" Roofing Screws per Large Roof Assembly. (F21.1 and F21.2)



### Components:

2 x Ridge Edge Middle

### Hardware

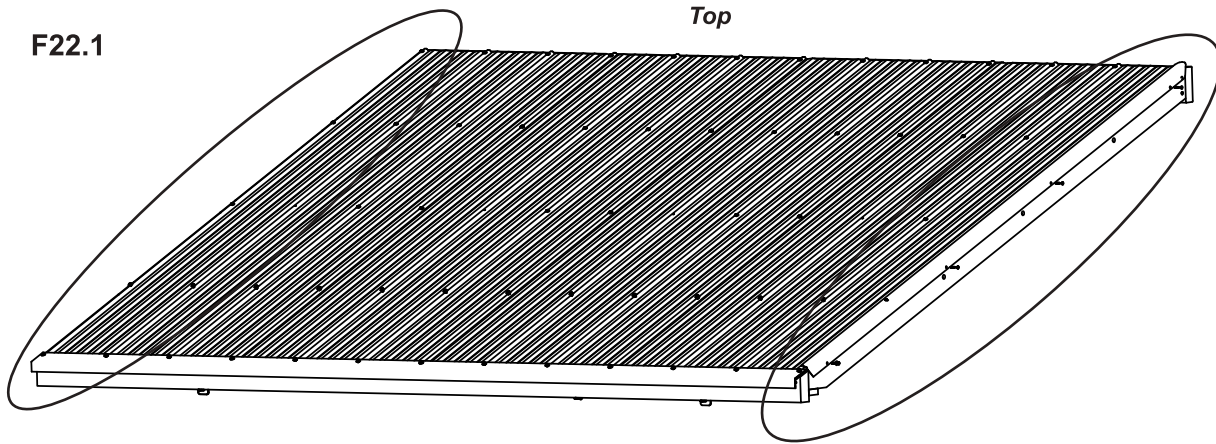
26 x #8 x 1" Roofing Screw

## Step 22: Attach Ridge Clips - Large Roof Assemblies



**A:** Place one Weather Seal 75-1/2 on the inside of four Ridge Clip 73.5 then place one Ridge Clip 73.5 on each (675) Middle Rafter on both Large Roof Assemblies so they cover the panels and are flush to the tops. The bottom edge of each Ridge Clip 73.5 should be 2-1/2" up from the bottom edge of (675) Middle Rafter. Attach with four #7 x 3/4" Wood Screws per Ridge Clip 73.5. (F22.1, F22.2 and F22.3)

F22.1

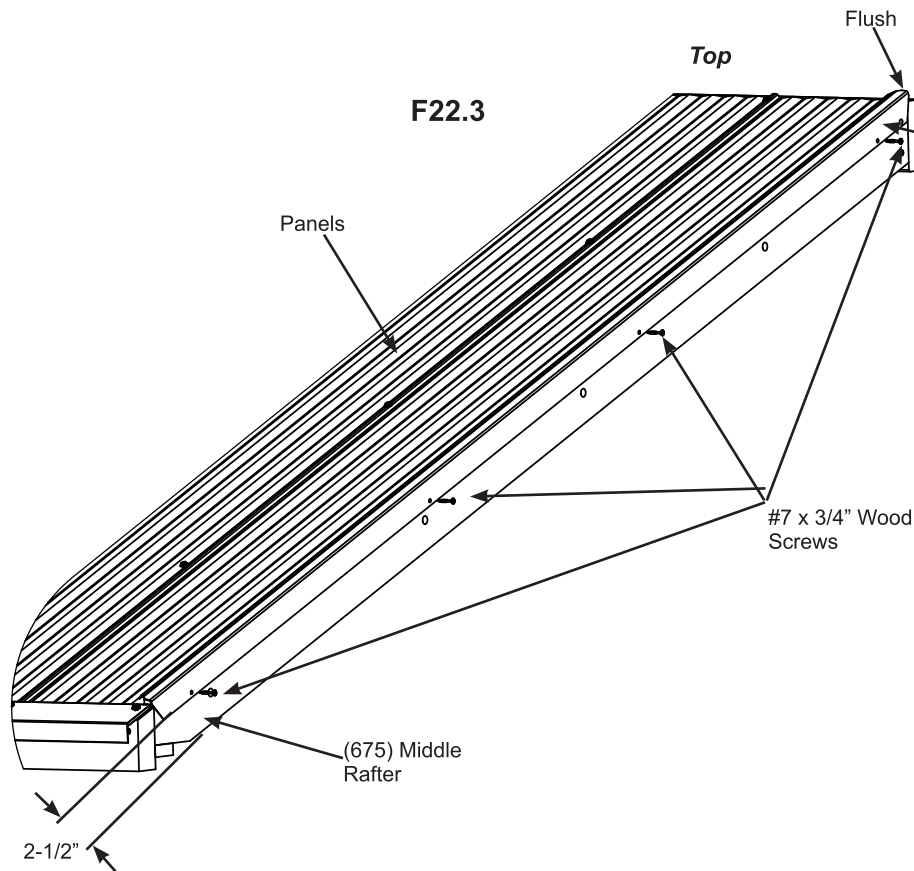


F22.2

*Underneath,  
Side View*



F22.3



### Components:

- 4 x Ridge Clip 73.5
- 4 x Weather Seal 75-1/2

### Hardware

- 16 x #7 x 3/4" Wood Screw