

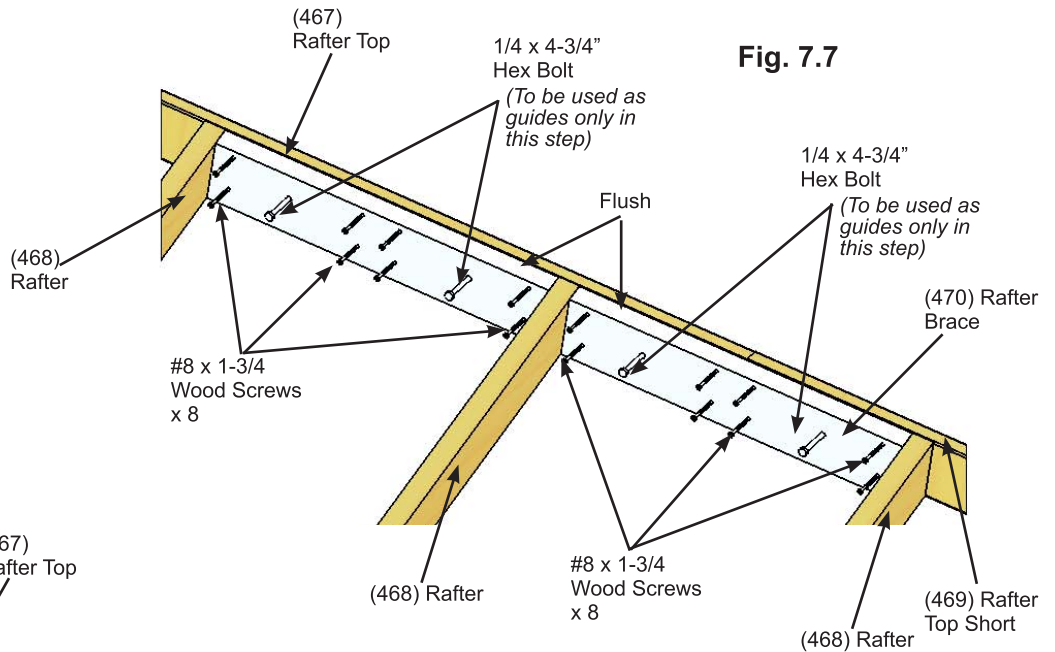
# Step 7: Frame Roof Panel Part 3



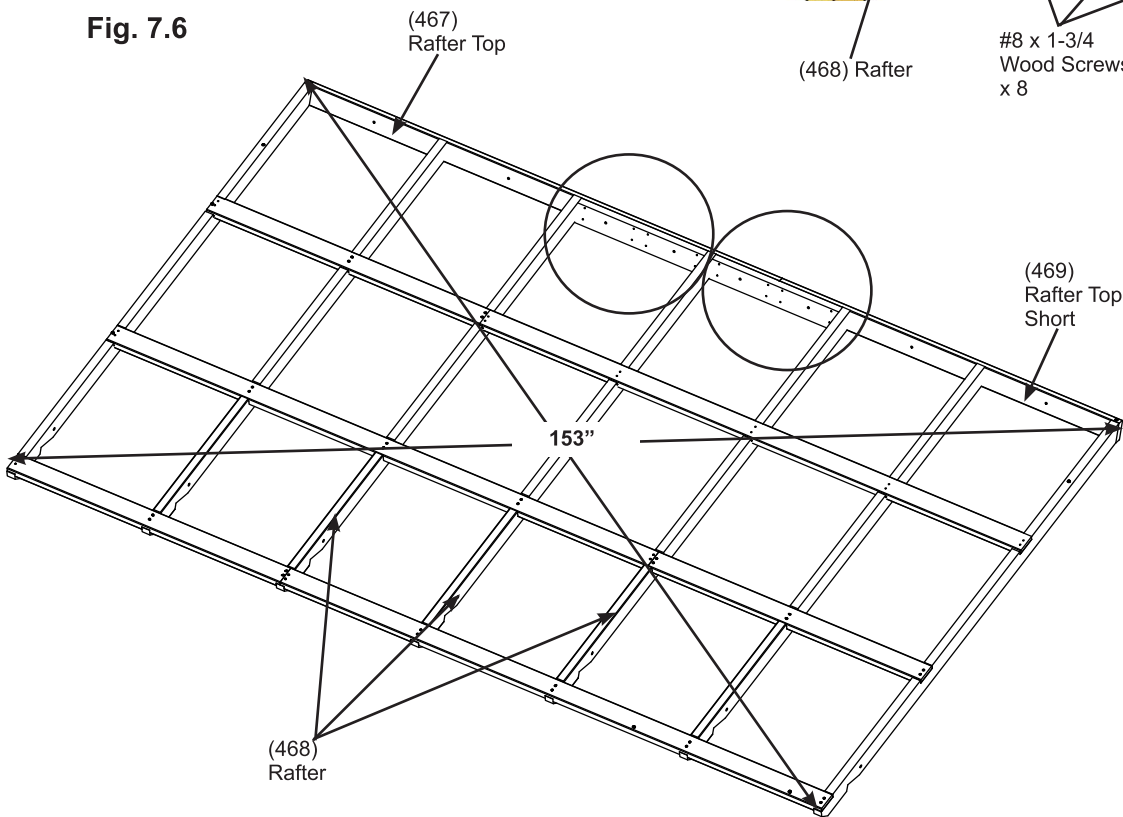
**F:** Make sure frame is square. Measurements to be as shown in fig. 7.6.

**G:** In the two middle gaps between (468) Rafters place one (470) Rafter Brace flush to the top of (469) Rafter Top Short and (467) Rafter Top. Use two 1/4 x 4-3/4" Hex Bolts per brace as a guide to line up the bolt holes. Attach (470) Rafter Braces to (469) Rafter Top Short and (467) Rafter Top with eight #8 x 1-3/4" Wood Screws per brace. Remove each Hex Bolt as they will be used in a later step and not installed here. (fig. 7.6 and 7.7)

**H:** Repeat Steps A - G to create a second Roof Panel Frame.



**Fig. 7.7**



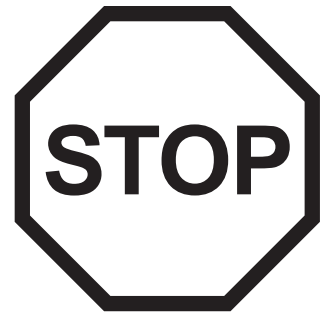
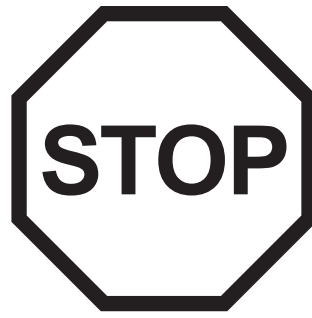
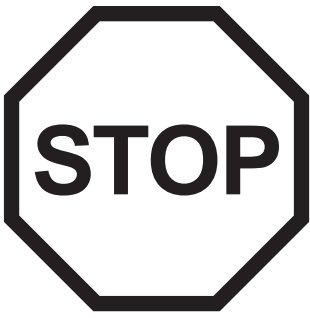
**Fig. 7.6**

**Wood Parts**

4 x (470) Rafter Brace

**Hardware**

32 x #8 x 1-3/4" Wood Screw



# INSTALLING ROOFING MATERIAL

---

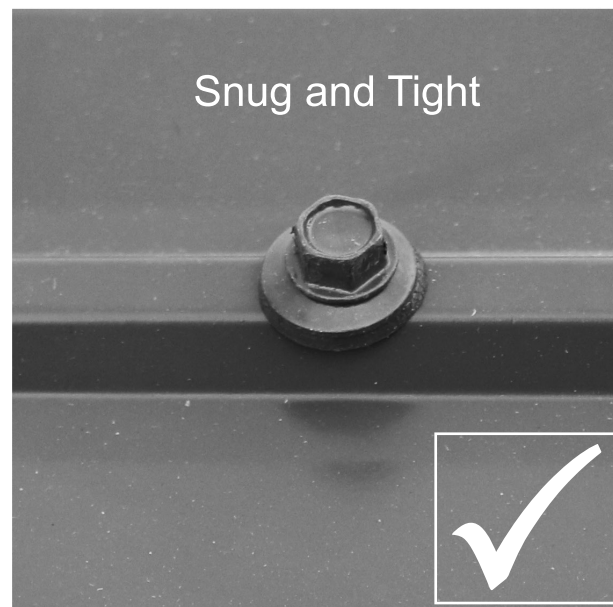
## CAUTION!

Roofing material may have sharp edges! Wear gloves!

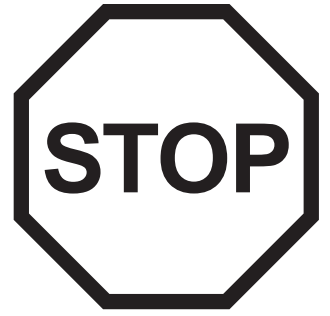
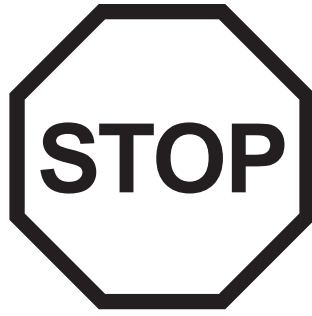
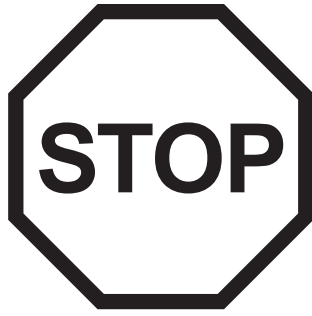
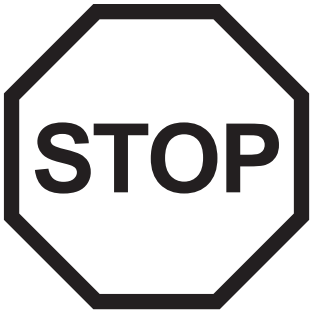
## HANDLE WITH CARE!

Place roofing material on a non-abrasive surface before assembly as it can bend, dent and scratch easily.

**WARNING – DO NOT OVER TIGHTEN ROOFING SCREWS!  
Over tightening screws will cause roofing material to crush.**



The roofing screws can easily crush the Roof Panels and Roof Edges when using a power drill. We recommend hand tightening the roofing screws so that they sit snug and tight to the roofing material.



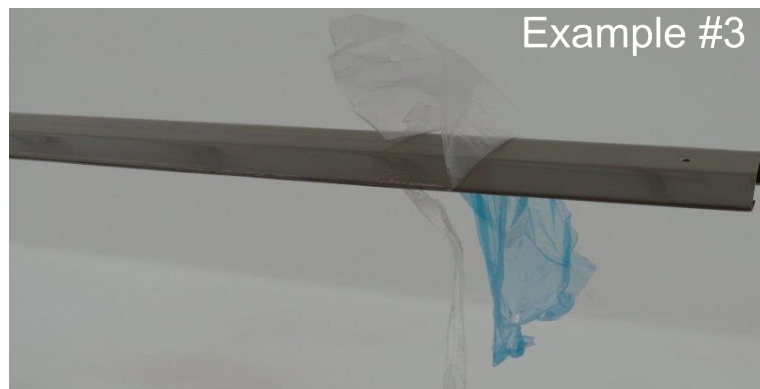
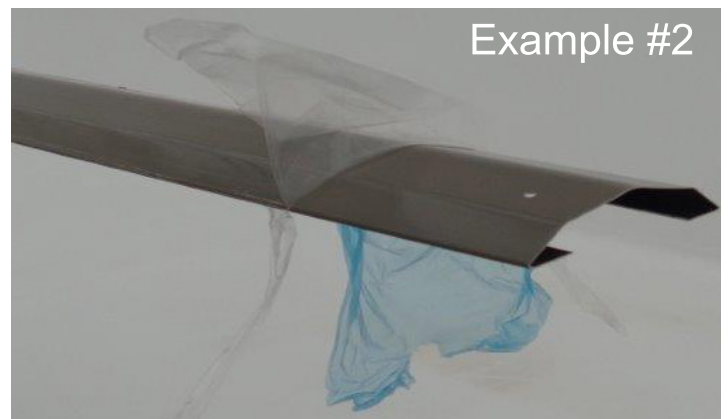
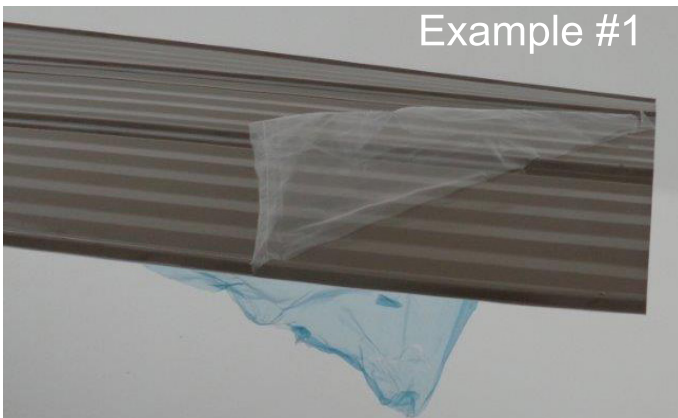
# INSTALLING ROOFING MATERIAL

---

## CAUTION!

Roofing material may have sharp edges! Wear gloves!

**BE SURE TO REMOVE ALL PLASTIC COVERING, ON BOTH SIDES OF THE ALUMINUM PANELS AND TRIM, DIRECTLY BEFORE INSTALLING EACH PIECE. *(One side is clear and the other is blue, both must be removed.)***



# Step 8: Attach Roof Panels Part 1



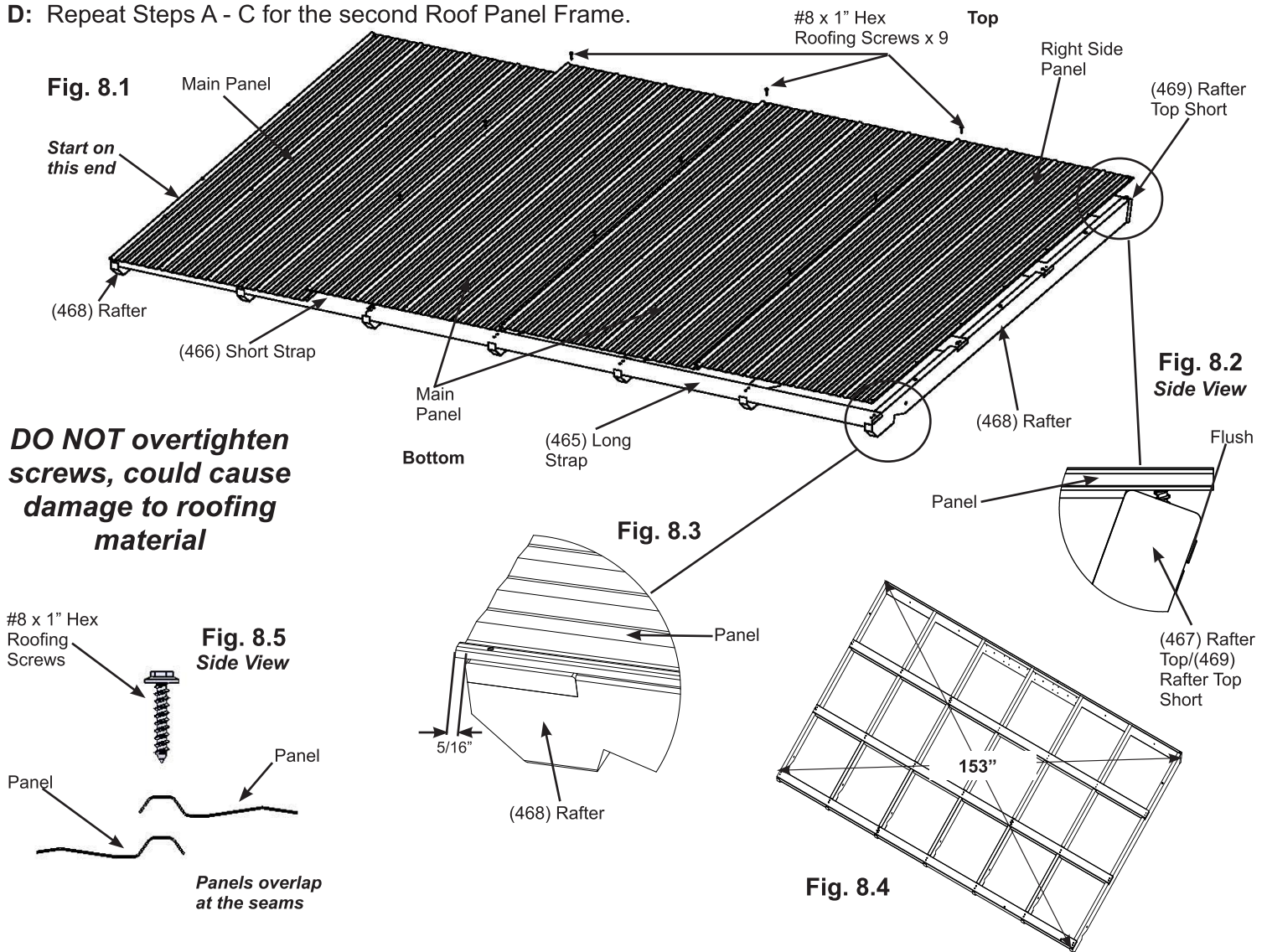
**Note:** Be sure to remove all plastic covering on both sides of the metal panels directly before installing each piece.

**A:** Make sure panel is still square then on one Roof Panel Frame place one Main Panel flush to the top and sides of the outside (468) Rafter on the side shown below. Panels should be flush to the top of the (467) Rafter Top and (469) Rafter Top Short. There will be approximately a 5/16" overhang at the bottom. There are no holes on the ribs at the top of the panel. (fig. 8.1, 8.2, 8.3 and 8.4)

**B:** Place two more Main Panels beside the first then lastly one Right Side Panel so the panels overlap and screw holes line up as shown below. (fig. 8.1 and 8.5)

**C:** Attach all four Panels to Roof Panel Frame using nine #8 x 1" Hex Roofing Screws in locations shown in fig. 8.1. Do not install screws to the outside (466) Short Strap and (465) Long Strap. Be sure not to overtighten screws.

**D:** Repeat Steps A - C for the second Roof Panel Frame.



### Roof Panel Set:

- 6 x Main Panel
- 2 x Right Side Panel

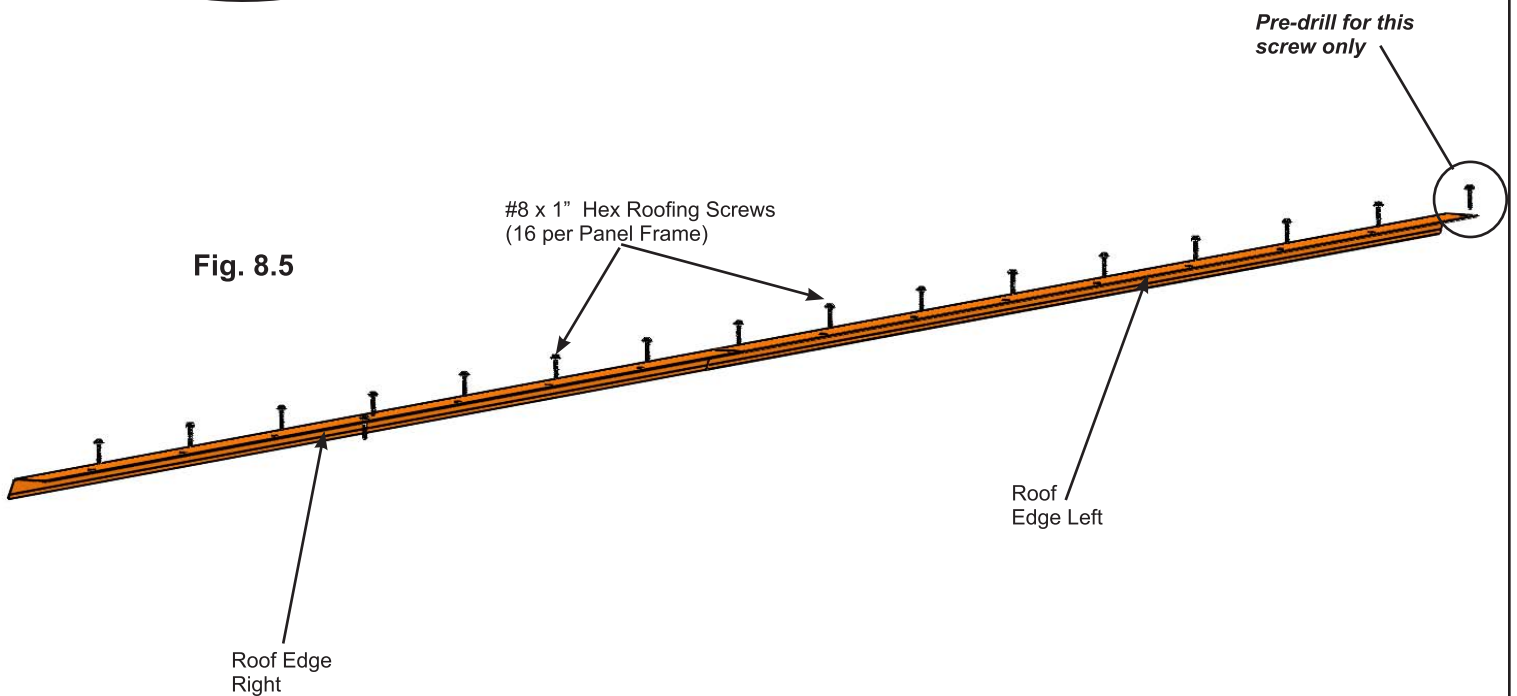
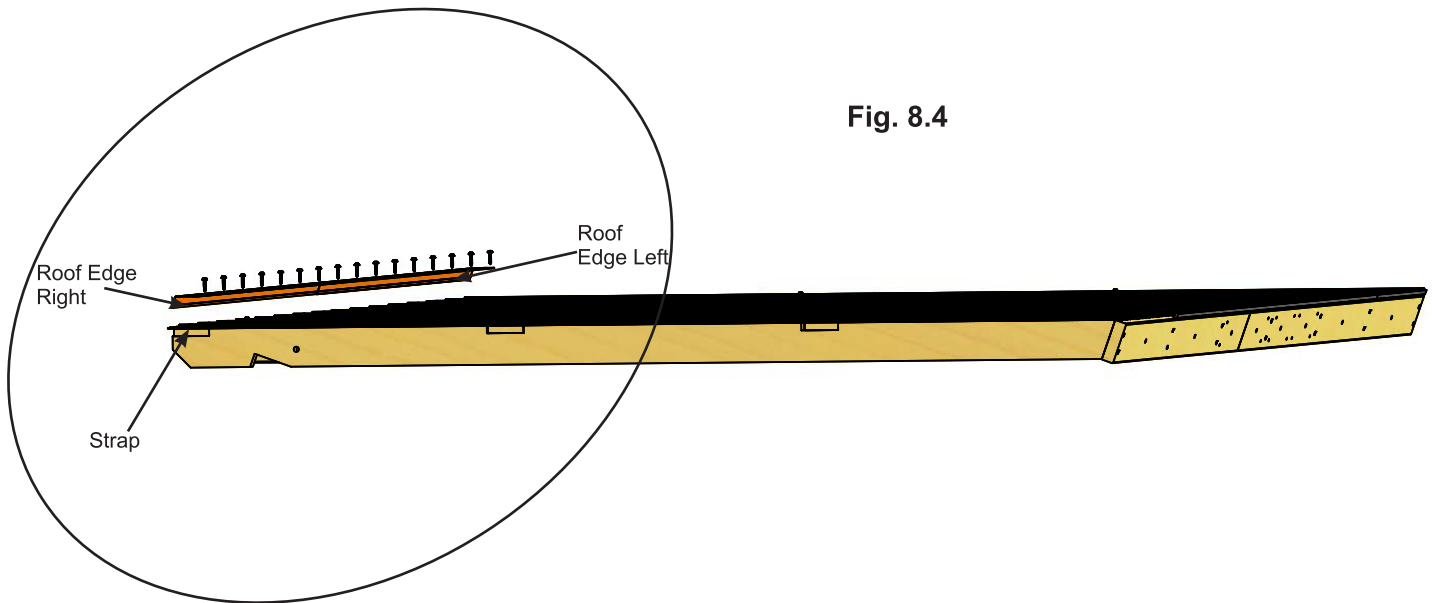
### Hardware

- 18 x #8 x 1" Hex Roofing Screw

# Step 8: Attach Roof Panels Part 2



**E:** Place one Roof Edge Left and one Roof Edge Right on the bottom of one Roof Panel Frame so they meet tight and the ends are flush with the outside ends of (466) Short Strap and (465) Long Strap. Pre-drill the end hole on Roof Edge Left with a 1/8" drill bit then attach both Roof Edges with 16 #8 x 1" Hex Roofing Screws. (fig. 8.4 and 8.5)



### Components

- 2 x Roof Edge Left
- 2 x Roof Edge Right

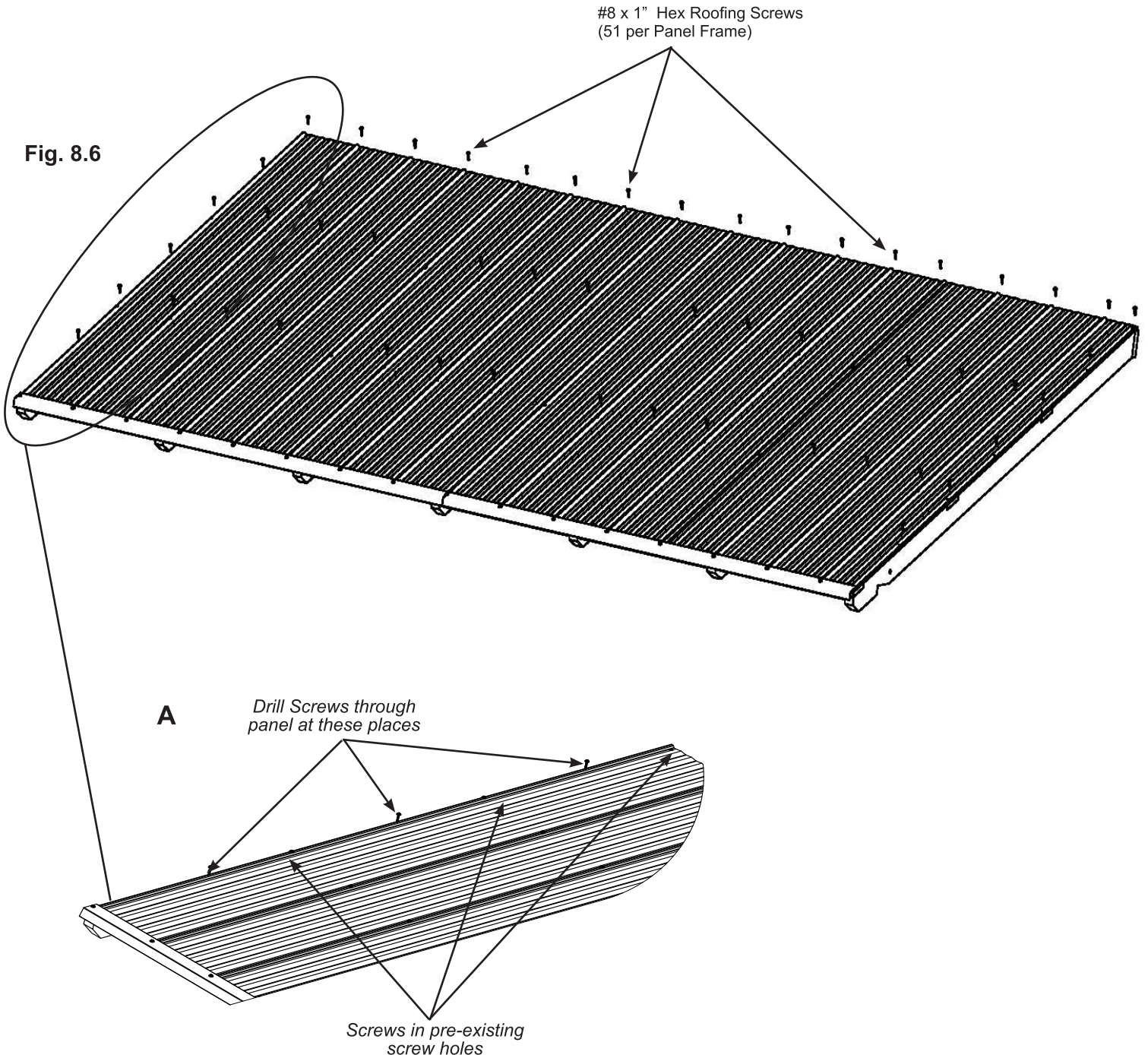
### Hardware

- 32 x #8 x 1" Hex Roofing Screw

# Step 8: Attach Roof Panels

## Part 3

F: Attach the three Main Panels and one Right Side Panel to Roof Panel Frame using 48 #8 x 1" Hex Roofing Screws as shown in fig. 8.6. On the left outside (468) Rafter, in between the screw holes, three additional screws are to be inserted through the panels in the spaces indicated below (see A). Be sure not to overtighten screws.



### Hardware

102 x #8 x 1" Hex Roofing Screw

# Step 8: Attach Roof Panels Part 4

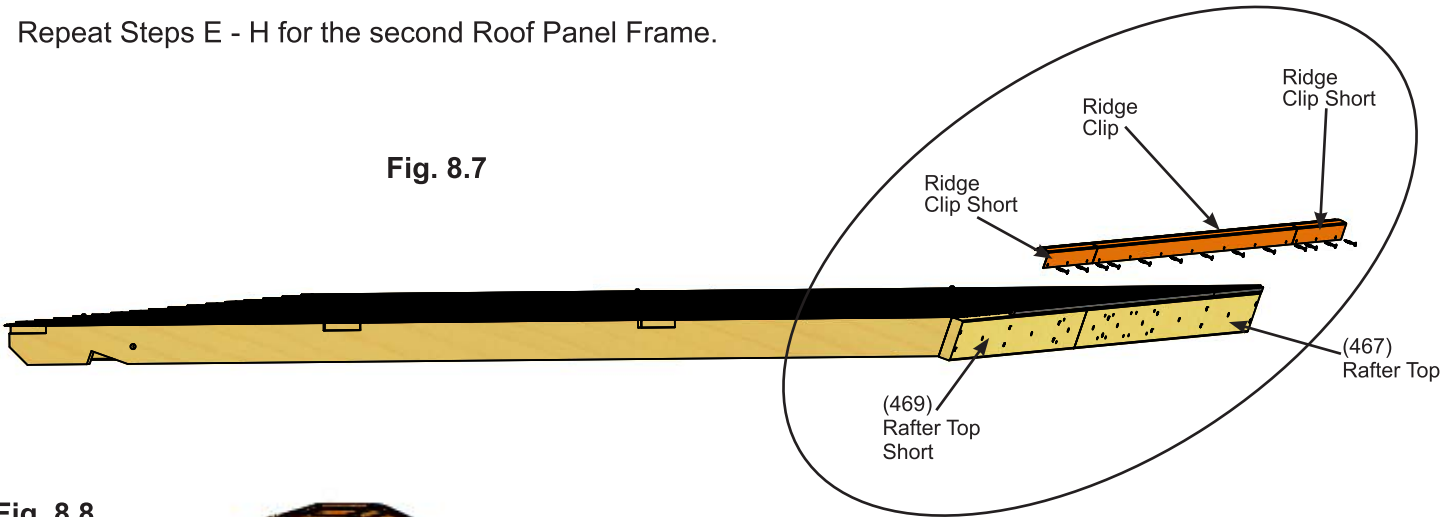


**G:** Place Weather Seal on the inside of two Ridge Clip Short then place one Ridge Clip Short flush to each side of Roof Panel Frame and 2-3/4" up from the bottom of (467) Rafter Top and (469) Rafter Top Short, make sure not to compress Weather Seal. Attach with three #7 x 3/4" Wood Screws per Ridge Clip Short. Ridge Clip Shorts must cover the Roof Panels. (fig. 8.7, 8.8, 8.9 and 8.10)

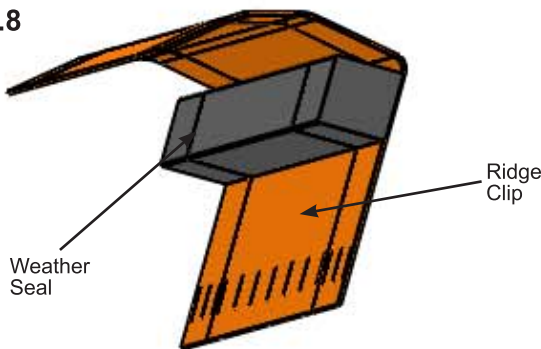
**H:** Place Weather Seal on the inside of one Ridge Clip then place Ridge Clip in between both Ridge Clip Shorts. 2-3/4" up from the bottom of (467) Rafter Top and (469) Rafter Top Short. Ridge Clip must cover the Roof Panels. Do not compress Weather Seal. Attach with seven #7 x 3/4" Wood Screws. (fig. 8.7, 8.8, 8.9 and 8.10)

**I:** Repeat Steps E - H for the second Roof Panel Frame.

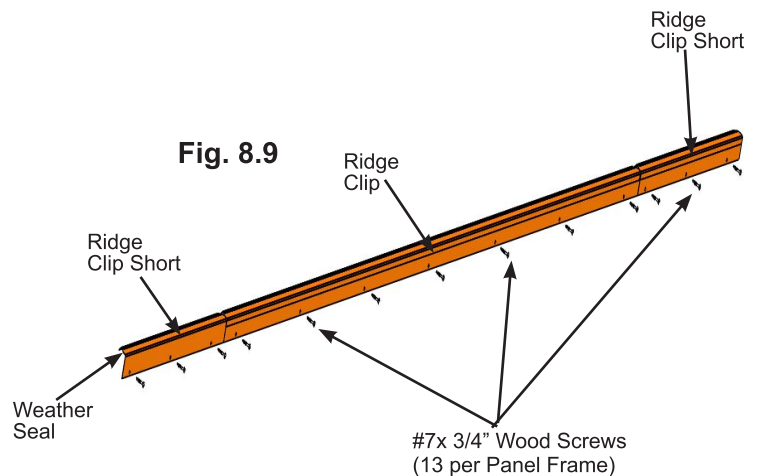
**Fig. 8.7**



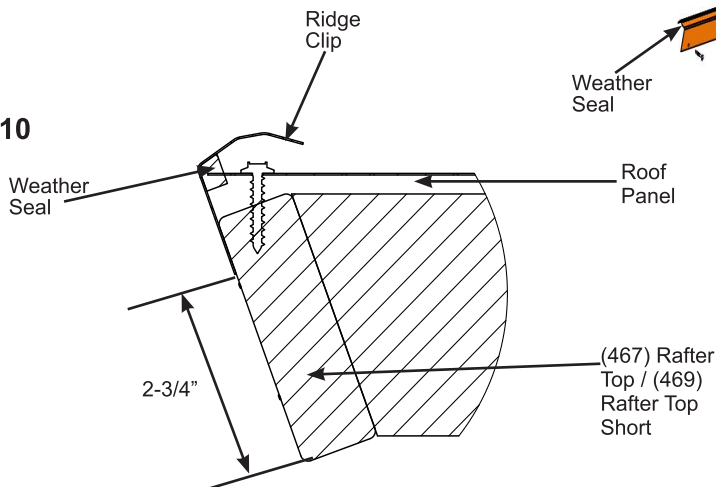
**Fig. 8.8**



**Fig. 8.9**



**Fig. 8.10**



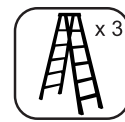
### Components

- 2 x Ridge Clip
- 4 x Ridge Clip Short
- 6 x Weather Seal

### Hardware

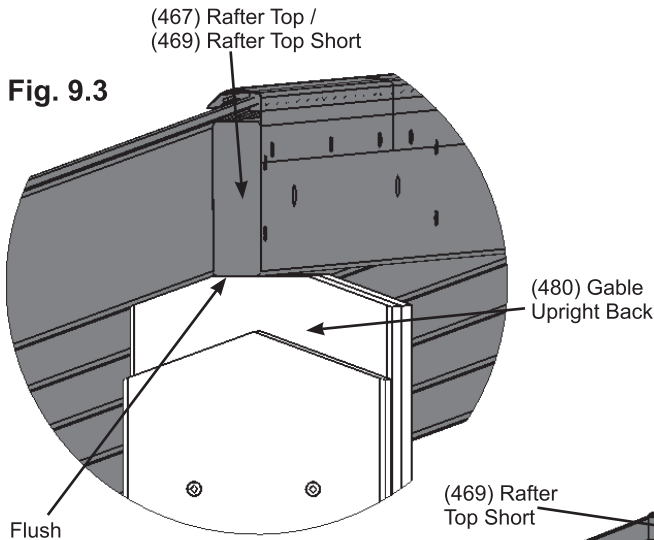
- 26 x #7 x 3/4" Wood Screw

# Step 9: Attach Roof Panels to Frame Part 1

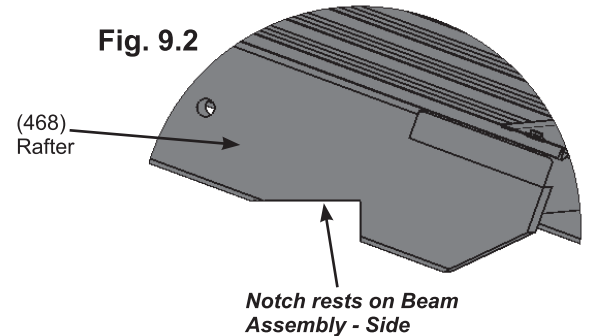


**A:** With four assemblers lift one Roof Panel Frame up and over Post and Beam Frame Assembly so the notches in (468) Rafters rest on Beam Assembly - Side and (467) Rafter Top and (469) Rafter Top Short are flush to the outside of each (480) Gable Upright Back. **One assembler must remain on a ladder to hold Roof Panel Frame in place until secured.** (fig. 9.1, 9.2 and 9.3)

**B:** Lift the second Roof Panel Frame so the notches in (468) Rafters rest on Beam Assembly - Side and (467) Rafter Top and (469) Rafter Top Short are flush to the outside of each (480) Gable Upright Back is tight to the first Roof Panel Frame. (fig. 9.1, 9.2 and 9.3)

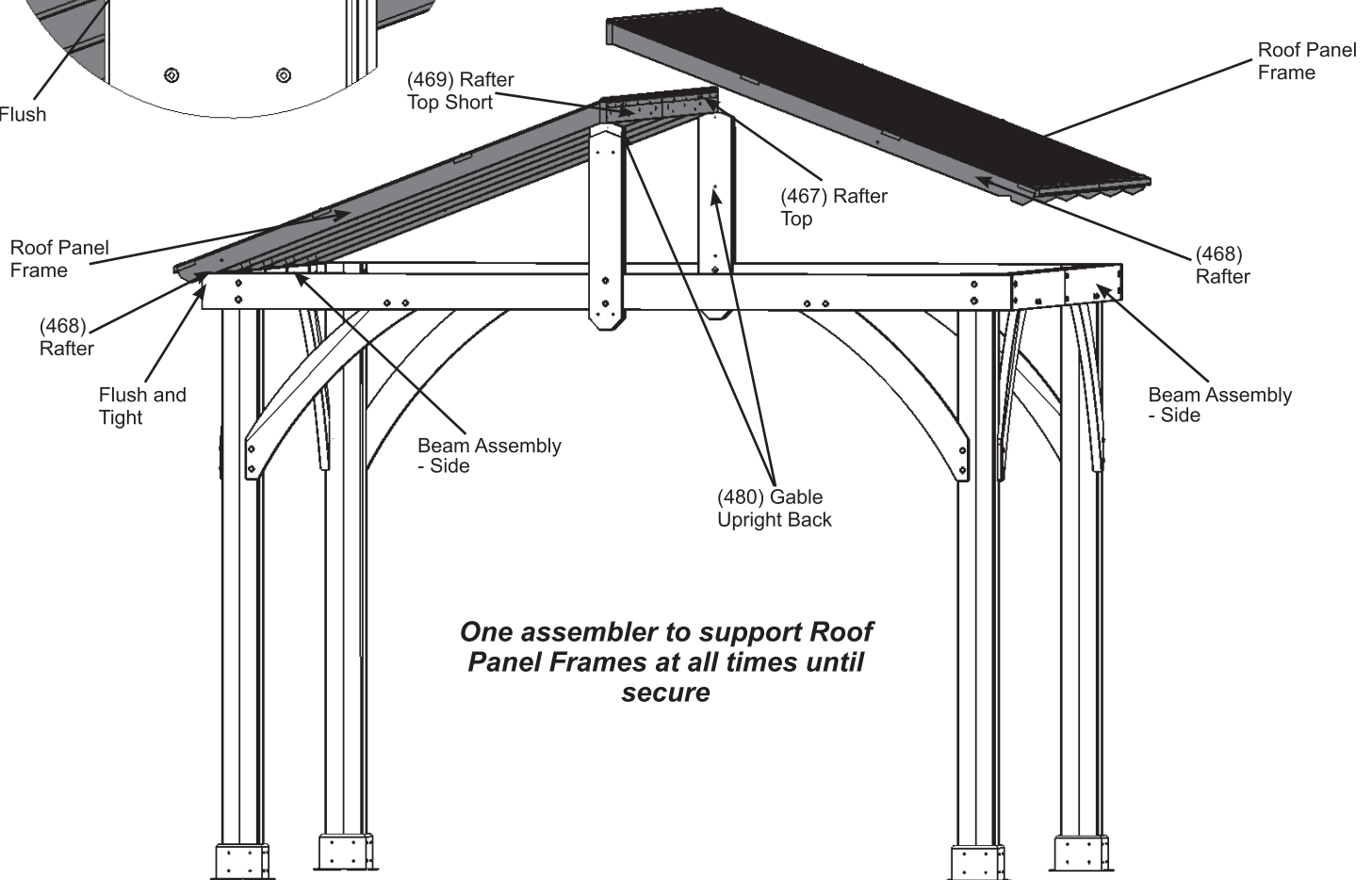


**Fig. 9.3**



**Fig. 9.2**

**Fig. 9.1**



**One assembler to support Roof Panel Frames at all times until secure**

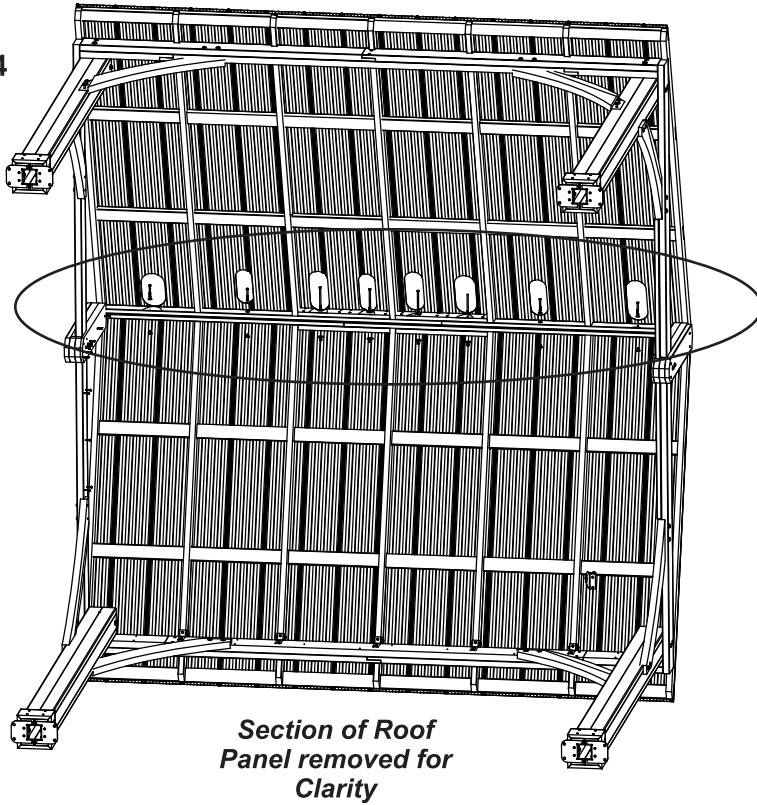


# Step 9: Attach Roof Panels to Frame Part 2

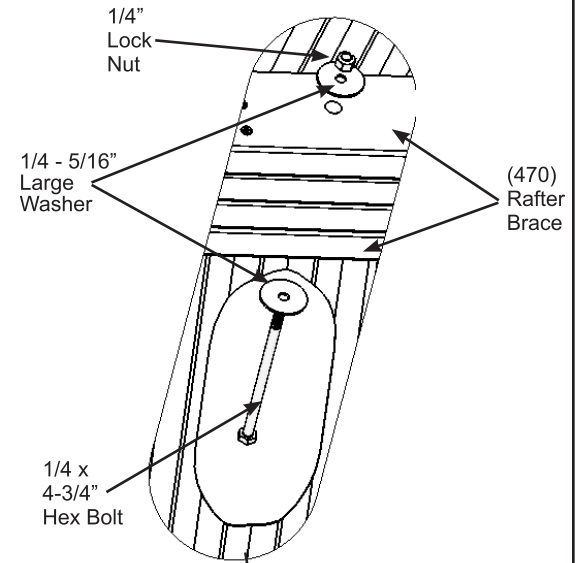


**C:** From inside the assembly attach the two Roof Panel Frames together through each (470) Rafter Braces with four 1/4 x 4-3/4" Hex Bolts (with two 1/4-5/16" large washer and one 1/4" lock nut) and through (467) Rafter Tops and (469) Rafter Top Shorts with four 1/4 x 2-3/4" Hex Bolt (with two 1/4-5/16" large washer and one 1/4" lock nut). (fig. 9.4, 9.5, 9.6 and 9.7)

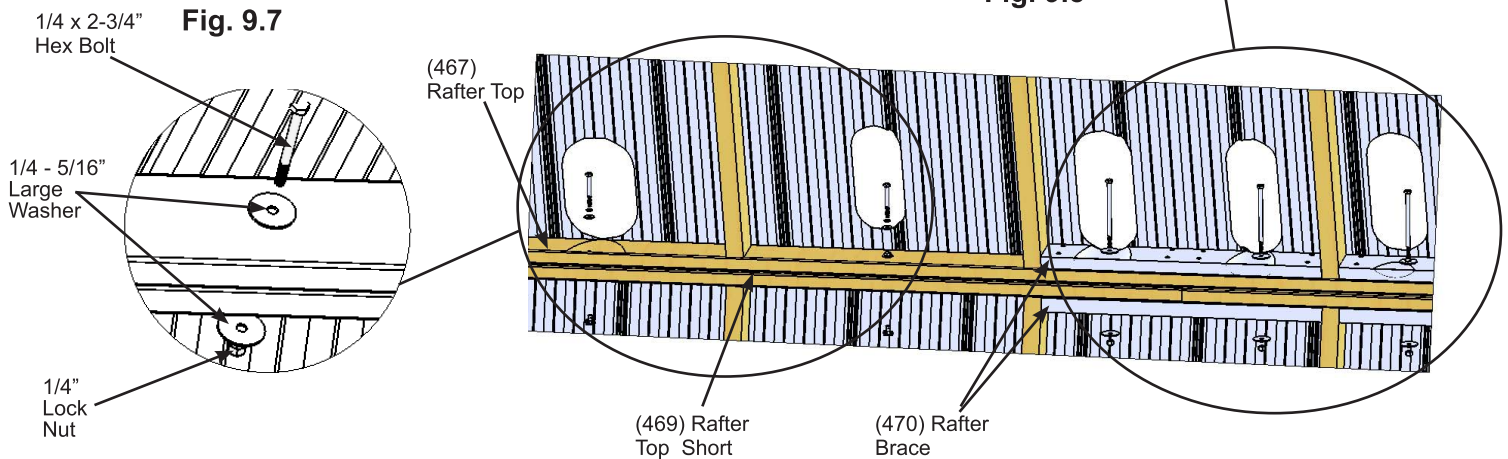
**Fig. 9.4**



**Fig. 9.6**



**Fig. 9.5**

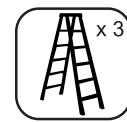


**Hardware**

4 x 1/4 x 4-3/4" Hex Bolt  
(1/4-5/16" large washer x 2, 1/4" lock nut)

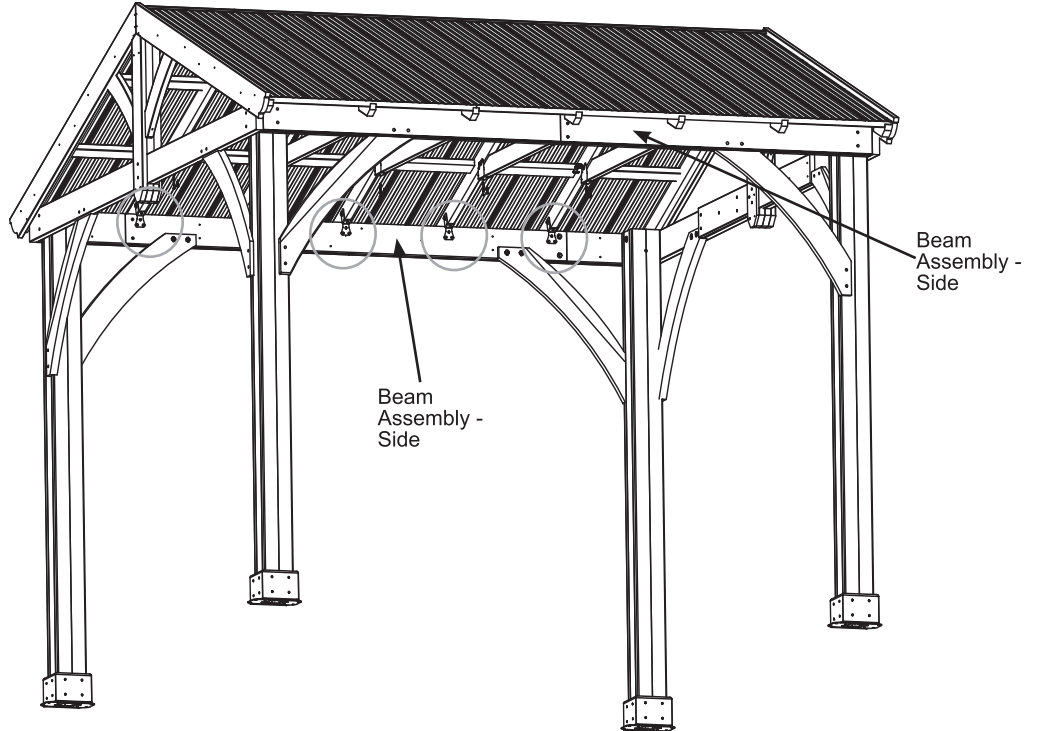
4 x 1/4 x 2-3/4" Hex Bolt  
(1/4-5/16" large washer x 2, 1/4" lock nut)

# Step 9: Attach Roof Panels to Frame Part 3

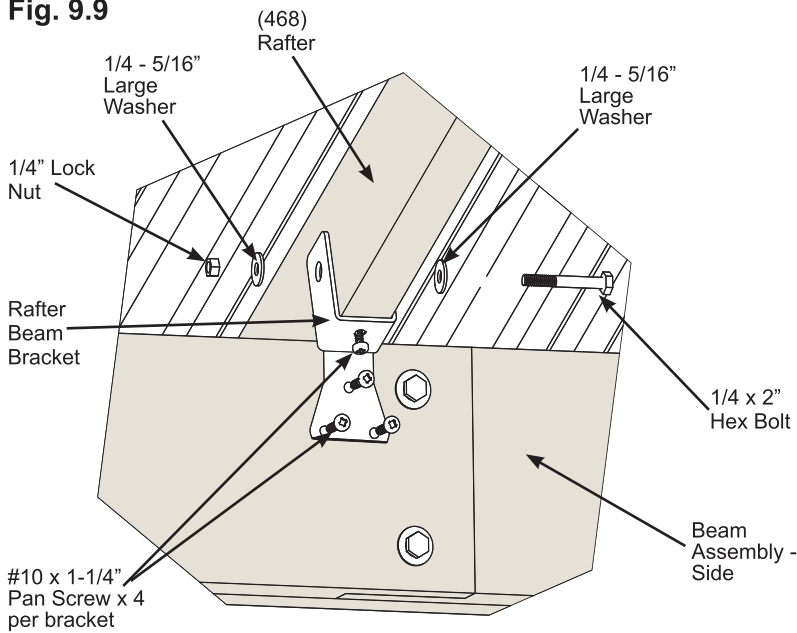


**D:** Loosely attach each of the centre (468) Rafters to the inside of each Beam Assembly - Side with one Rafter Beam Bracket per (468) Rafter using one 1/4 x 2" Hex Bolt (with two 1/4-5/16" large washer and one 1/4" lock nut) per bracket. Push up on the centre of the Roof Panels so the notches in (468) Rafters are tight to the Beam Assembly - Side then attach four #10 x 1-1/4" Pan Screws per bracket. Once screws are installed tighten bolts. (fig. 9.8, 9.9 and 9.10)

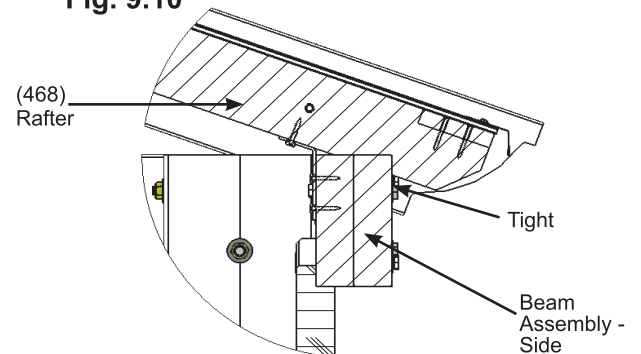
**Fig. 9.8**



**Fig. 9.9**



**Fig. 9.10**



**Component**

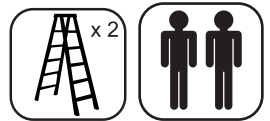
**Hardware**

10 x Rafter Beam Bracket

10 x 1/4 x 2" Hex Bolt (1/4-5/16" large washer x 2, 1/4" lock nut)

40 x #10 x 1-1/4" Pan Screw

# Step 10: Attach Ridge Caps Part 1



**A:** Slide Ridge Cap over the Ridge Clips towards the centre of the roof. (fig. 10.1 and 10.2)

**B:** With the swaged end facing in slide one Ridge Cap Short at each end of the roof over the Ridge Clips. Use the swaged end to help push the Ridge Cap to the centre of the roof. Each Ridge Cap Short should be flush to the outside edge of the roof. (fig. 10.1, 10.3 and 10.4)

Fig. 10.2

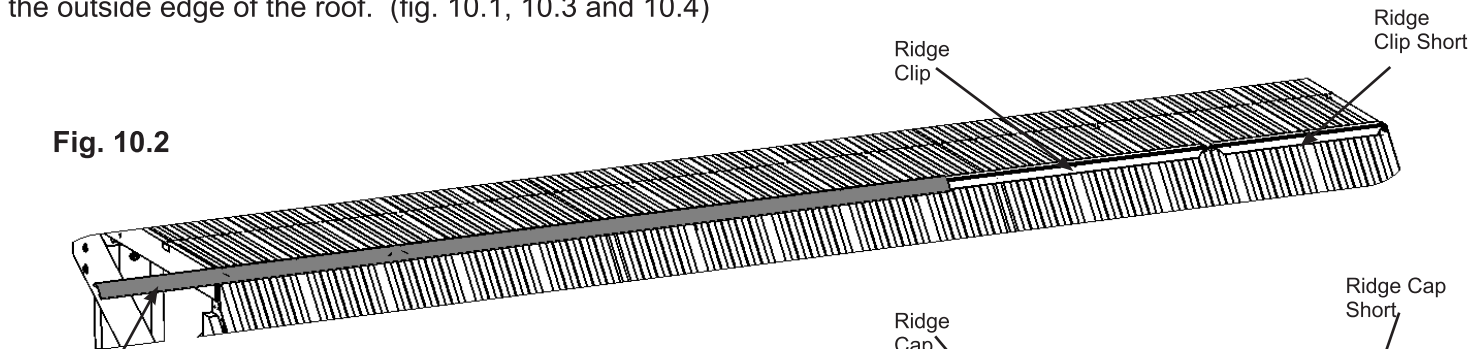
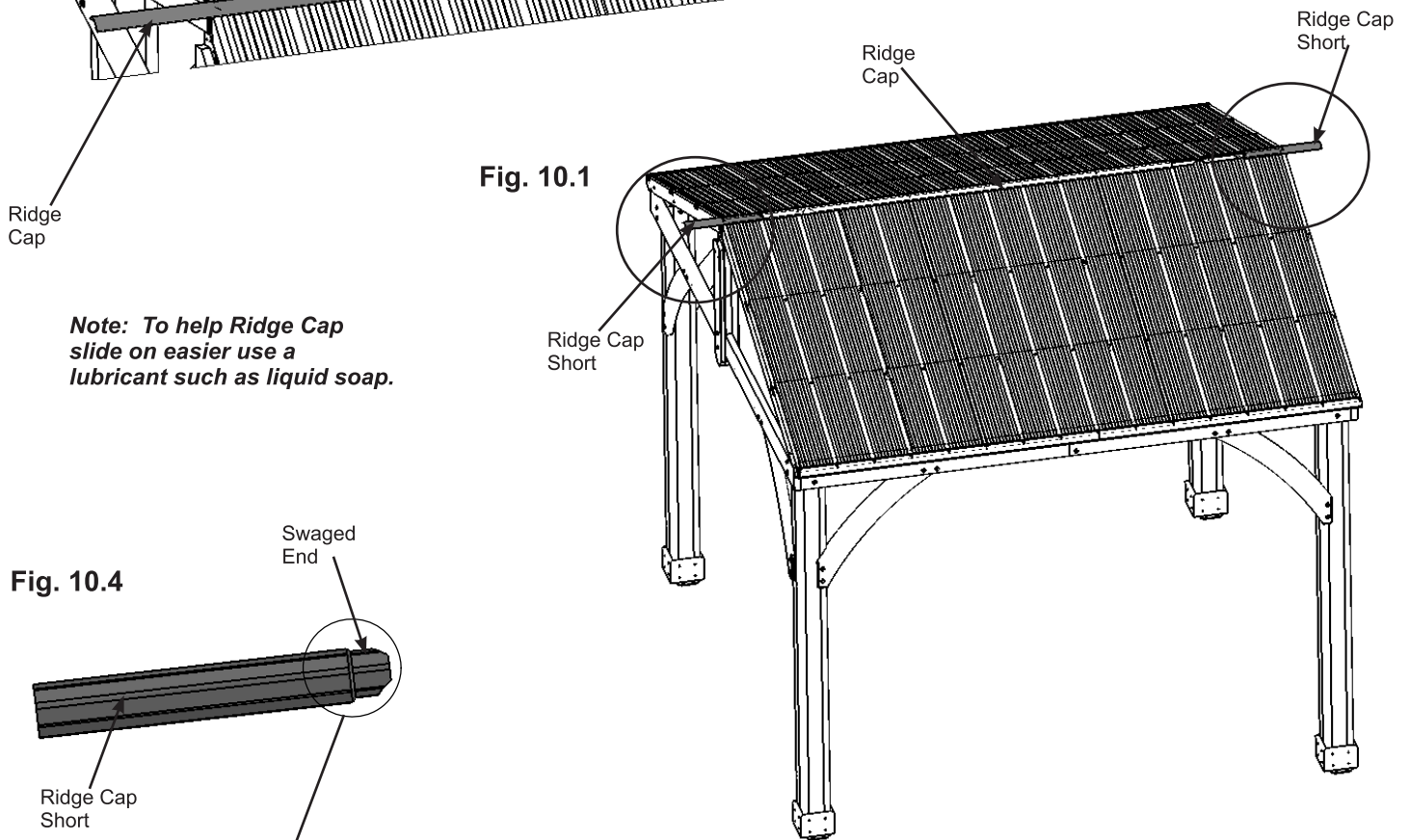
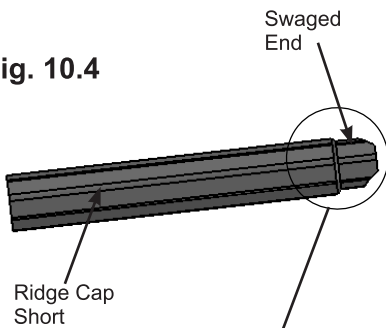


Fig. 10.1



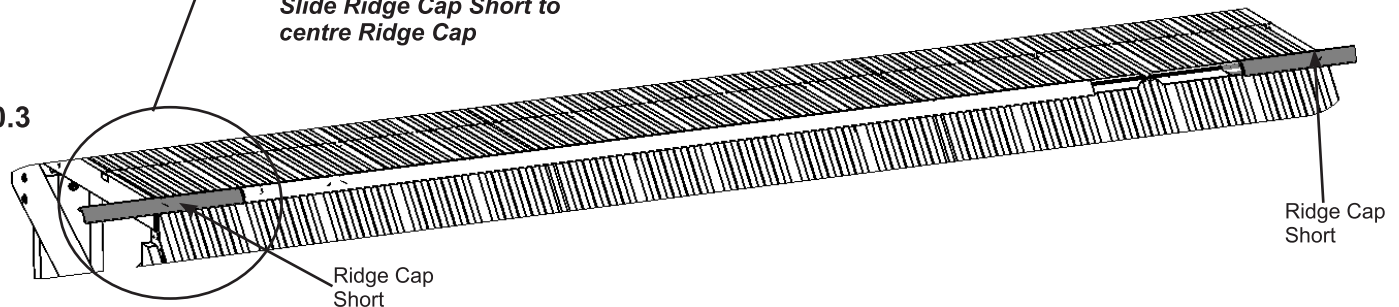
*Note: To help Ridge Cap slide on easier use a lubricant such as liquid soap.*

Fig. 10.4



*Slide Ridge Cap Short to centre Ridge Cap*

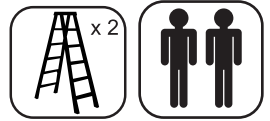
Fig. 10.3



### Componets:

- 1 x Ridge Cap
- 2 x Ridge Cap Short

# Step 10: Attach Ridge Caps Part 2



C: Make sure the Ridge Cap Shorts are flush to the outside edge of the roof then attach each end of the Ridge Cap to each Ridge Cap Short with two #8 x 3/4" Metal Screws per side. (fig. 10.5, 10.6 and 10.7)

Fig. 10.5

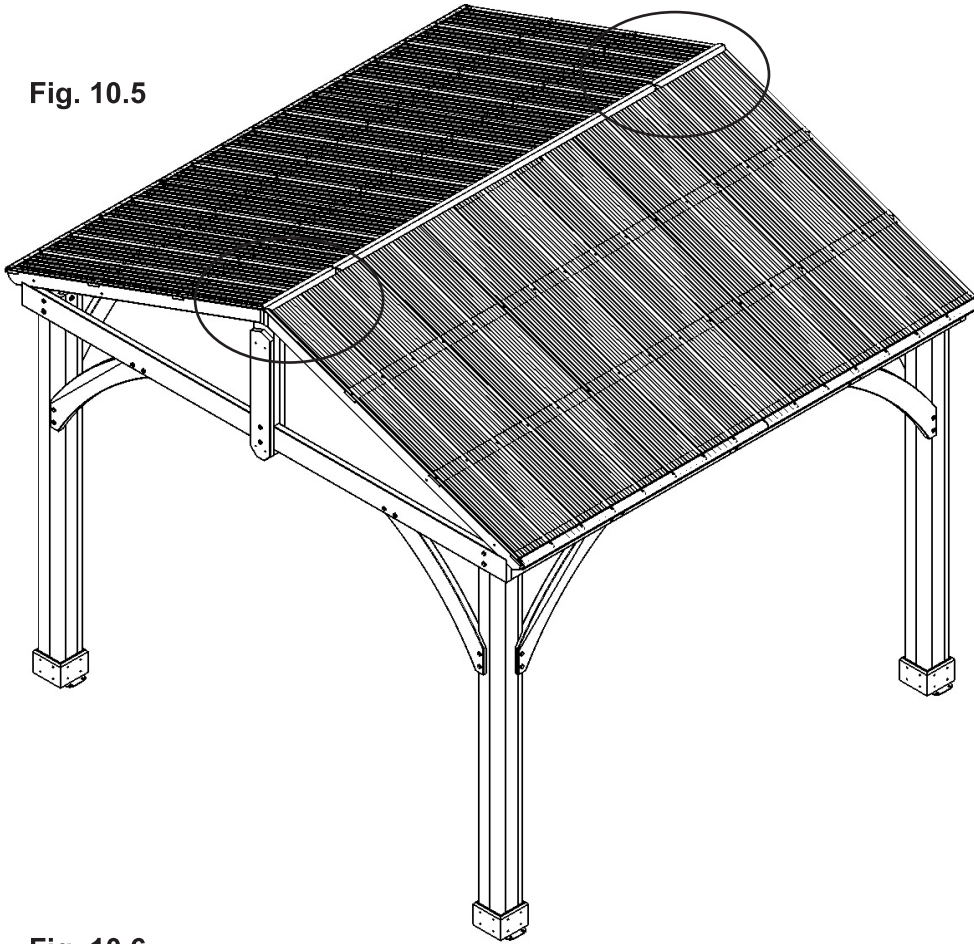


Fig. 10.6

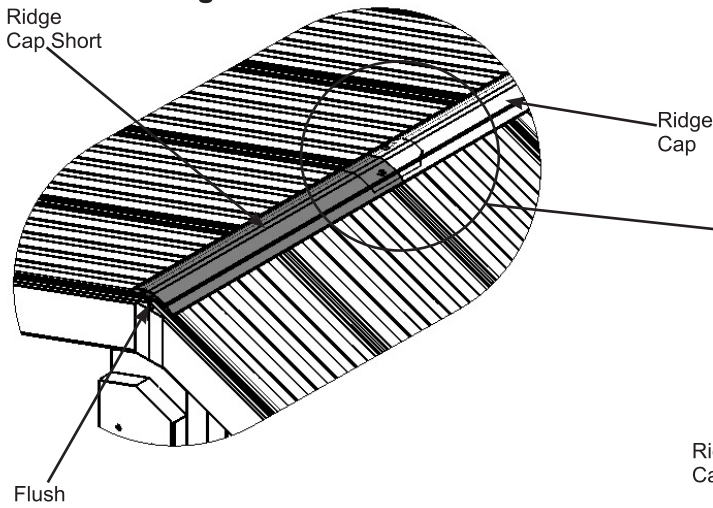
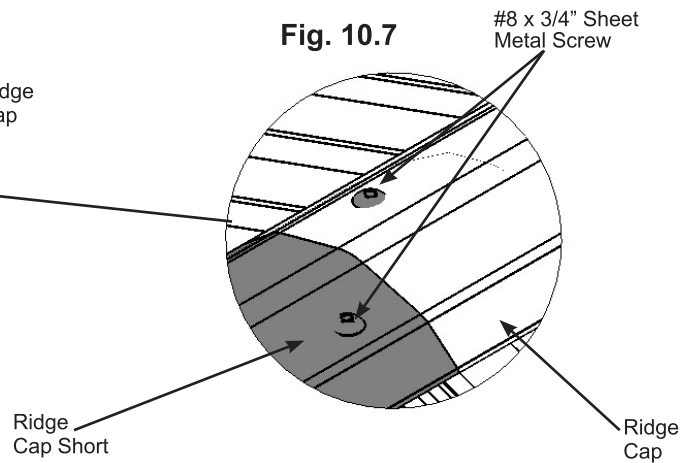


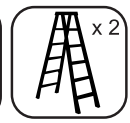
Fig. 10.7



## Hardware

4 x #8 x 3/4" Sheet Metal Screw

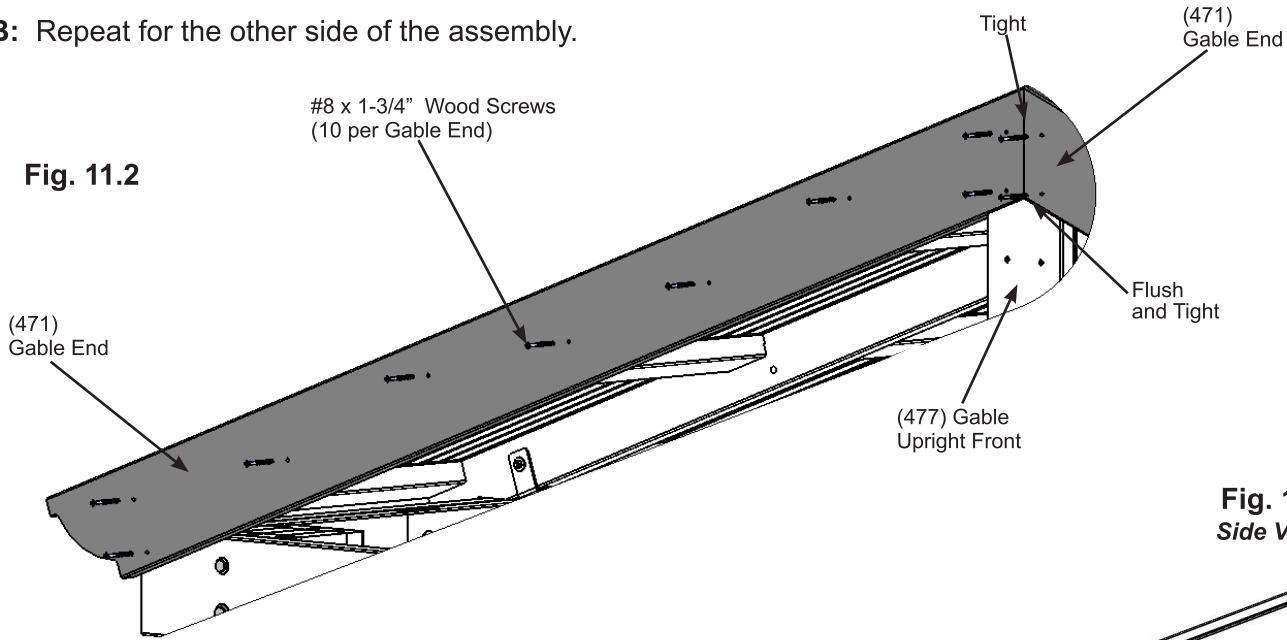
# Step 11: Attach Gable Ends



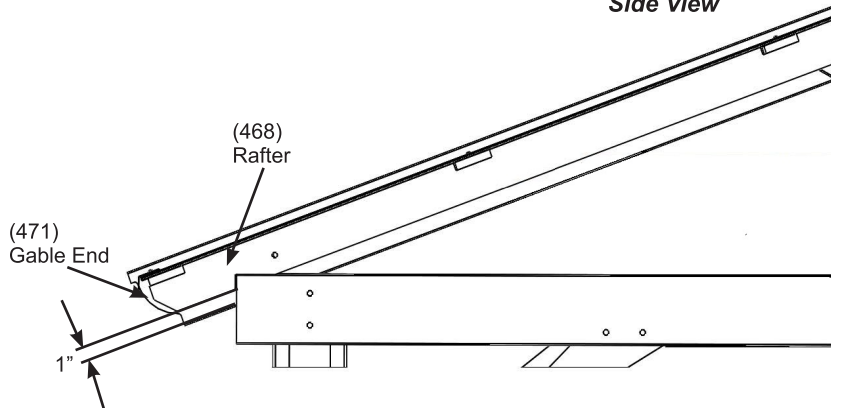
**A:** On one side of the assembly place two (471) Gable Ends against the outside (468) Rafters so the peaks meet in the centre and they are tight and flush to the top and edge of (477) Gable Upright Front. Bottom of (471) Gable End to bottom of (468) Rafter should measure 1" all along each (471) Gable End. Attach with ten #8 x 1-3/4" Wood Screws per (471) Gable End. (fig. 11.1, 11.2 and 11.3)

**B:** Repeat for the other side of the assembly.

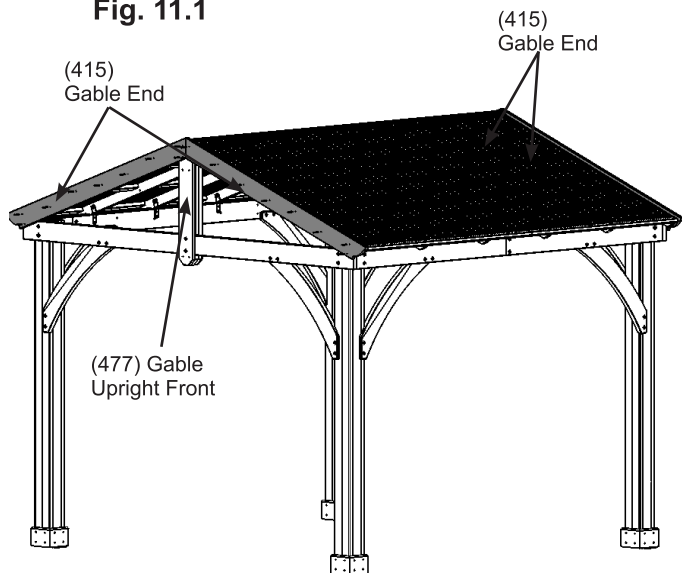
**Fig. 11.2**



**Fig. 11.3**  
Side View



**Fig. 11.1**



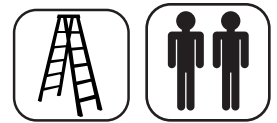
**Wood Parts**

4 x (471) Gable End

**Hardware**

40 x #8 x 1-3/4" Wood Screw

## Step 12: Attach Gable Gussets

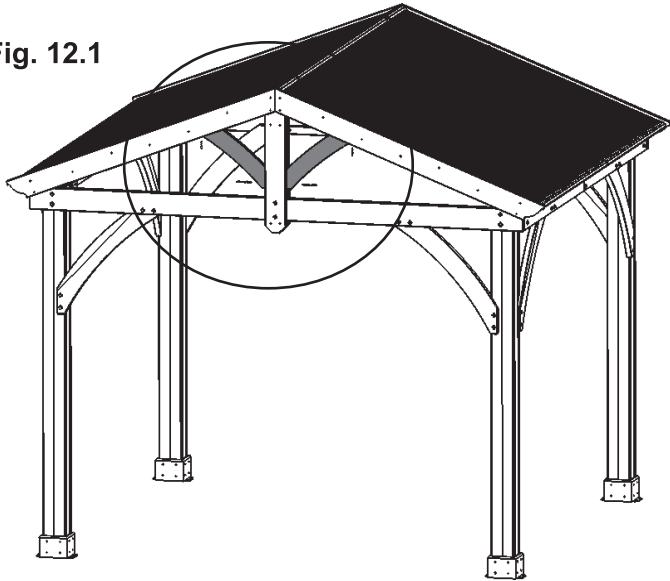


**A:** From inside the assembly place one (414) Gable Gusset on each side of (480) Gable Upright Back so it is resting on (471) Gable End, tight to (480) Gable Upright Back and tight and flush to (468) Rafter. (fig. 12.1 and 12.2)

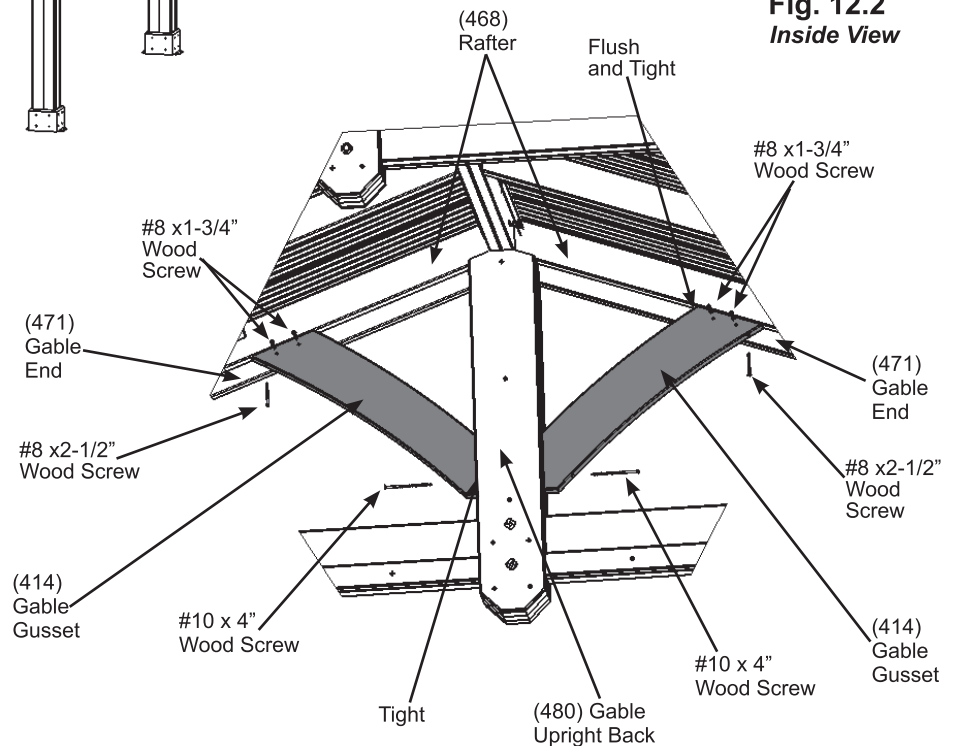
**B:** Attach each (414) Gable Gusset to (471) Gable End with two #8 x 1-3/4" Wood Screws per gusset and to (480) Gable Upright Back with one #10 x 4" Wood Screw per gusset. (fig. 12.1 and 12.2)

**C:** Attach each (414) Gable Gusset to (468) Rafter with one #8 x 2-1/2" Wood Screw per gusset from the edge of the gusset into the rafter. (fig. 12.1 and 12.2)

**Fig. 12.1**



**Fig. 12.2**  
*Inside View*



### Wood Parts

4 x (414) Gable Gusset

### Hardware

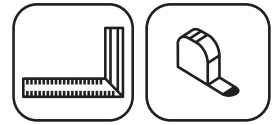
8 x #8 x 1-3/4" Wood Screw

4 x #8 x 2-1/2" Wood Screw

4 x #10 x 4" Wood Screw

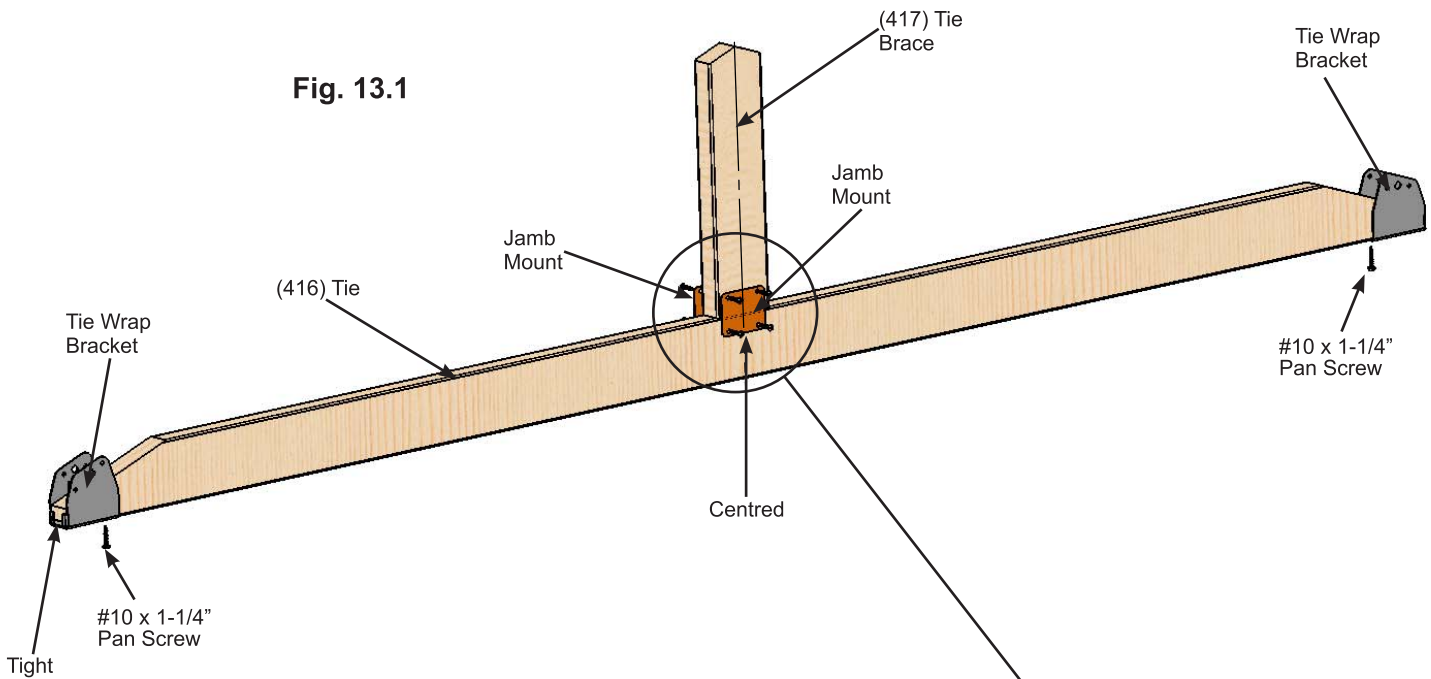
# Step 13: Truss Assemblies

## Part 1

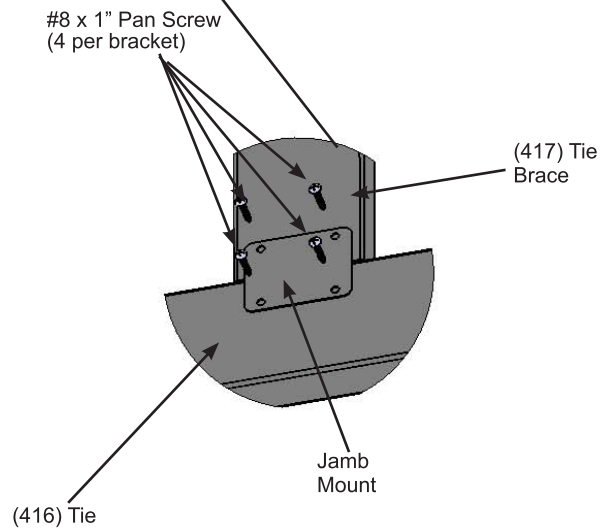


**A:** Place one (417) Tie Brace centred, tight and square to the top of (416) Tie. Attach (416) Tie to (417) Tie Brace using two Jamb Mounts (one per side) with four #8 x 1" Pan Screws per mount. Repeat to complete five Tie Brace Assemblies. (fig. 13.1 and 13.2)

**B:** Attach one Tie Wrap Bracket to each end of each (416) Tie with one #10 x 1-1/4" Pan Screw per bracket using the inside holes. (416) Tie is tight to end of bracket. (fig. 13.1)



**Fig. 13.1**



**Fig. 13.2**

**Wood Parts**

- 5 x (416) Tie
- 5 x (417) Tie Brace

**Components:**

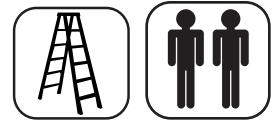
- 10 x Tie Wrap Bracket
- 10 x Jamb Mount

**Hardware**

- 40 x #8 x 1" Pan Screw
- 10 x #10 x 1-1/4" Pan Screw

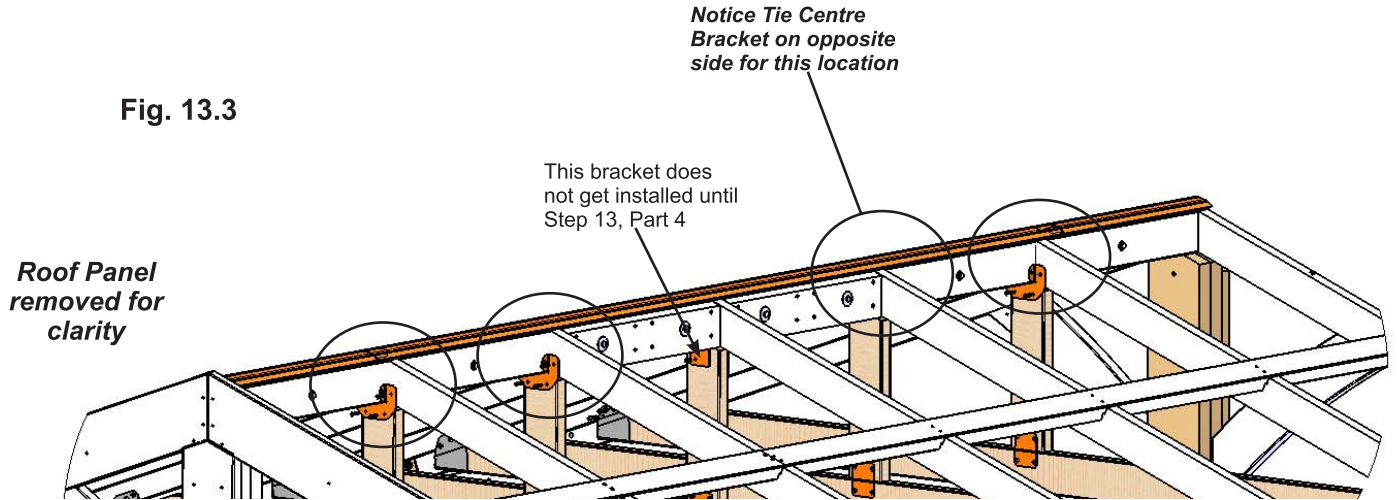
# Step 13: Truss Assemblies

## Part 2

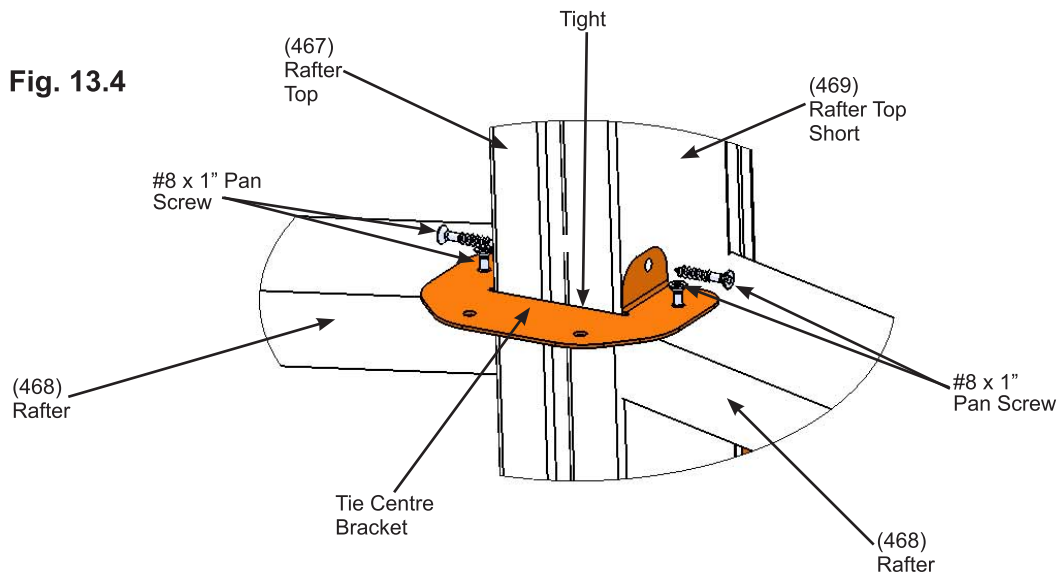


**C:** Attach one Tie Centre Bracket to the peak of four (468) Rafter, (467) Rafter Top, (469) Rafter Top Short with four #8 x 1" Pan Screws per bracket. Notice that three Tie Centre Brackets face one way and one faces the opposite side. It will only fit on this side. (fig. 13.3 and 13.4)

**Fig. 13.3**



**Fig. 13.4**



**Componets:**

4 x Tie Centre Bracket

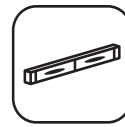
**Hardware**

16 x #8 x 1" Pan Screw



# Step 13: Truss Assemblies

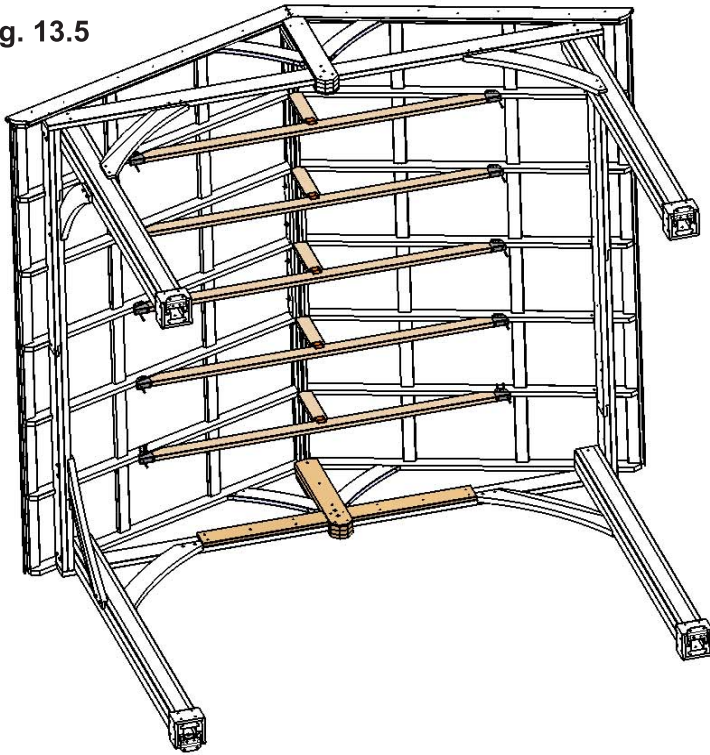
## Part 3



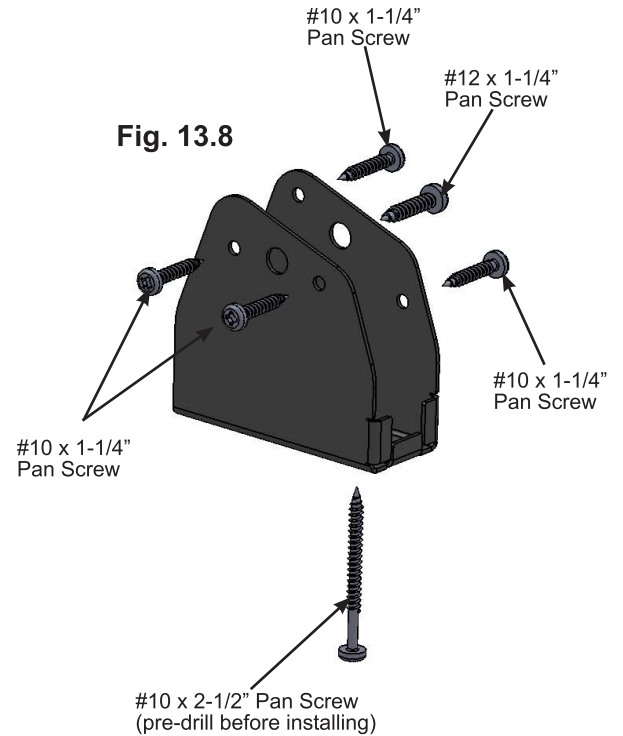
**D:** With a helper place five (416) Tie with brackets tight against (468) Rafters so (417) Tie Braces fit into Tie Centre Brackets. Make sure (416) Ties are level then attach Tie Wrap Brackets to (468) Rafters with two #10 x 1-1/4" Pan Screws on both sides of each bracket and one #12 x 1-1/4" Pan Screw on one side of each bracket. (fig. 13.5, 13.6, 13.7 and 13.8)

**E:** Pre-drill with a 1/8" drill bit and secure Tie Wrap Brackets to (416) Tie and (468) Rafter with one #10 x 2-1/2" Pan Screw per bracket. (fig. 13.6, 13.7 and 13.8)

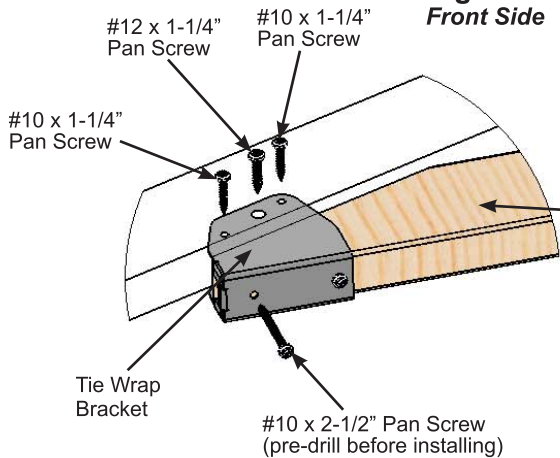
**Fig. 13.5**



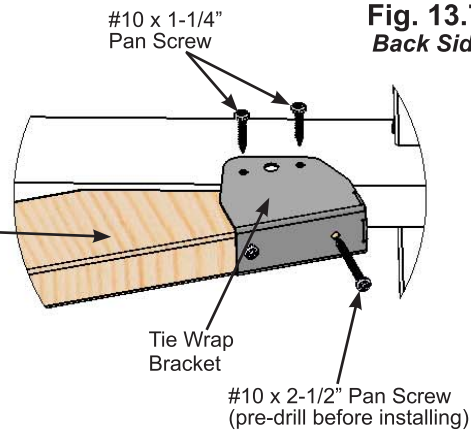
**Fig. 13.8**



**Fig. 13.6**  
*Front Side*



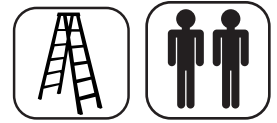
**Fig. 13.7**  
*Back Side*



### Hardware

- 40 x #10 x 1-1/4" Pan Screw
- 10 x #12 x 1-1/4" Pan Screw
- 10 x #10 x 2-1/2" Pan Screw

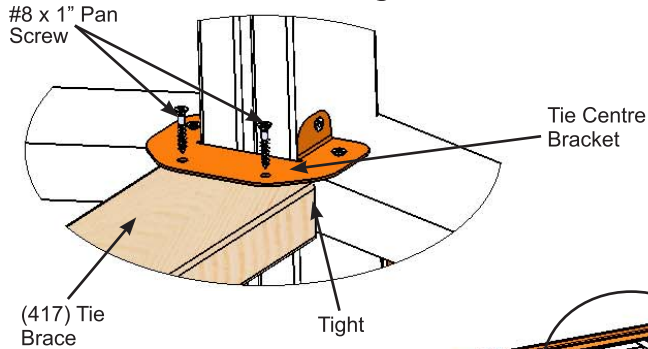
# Step 13: Truss Assemblies Part 4



**F:** Secure four (417) Tie Braces to each Tie Centre Bracket with two #8 x 1" Pan Screws per bracket. (fig. 13.9 and 13.10)

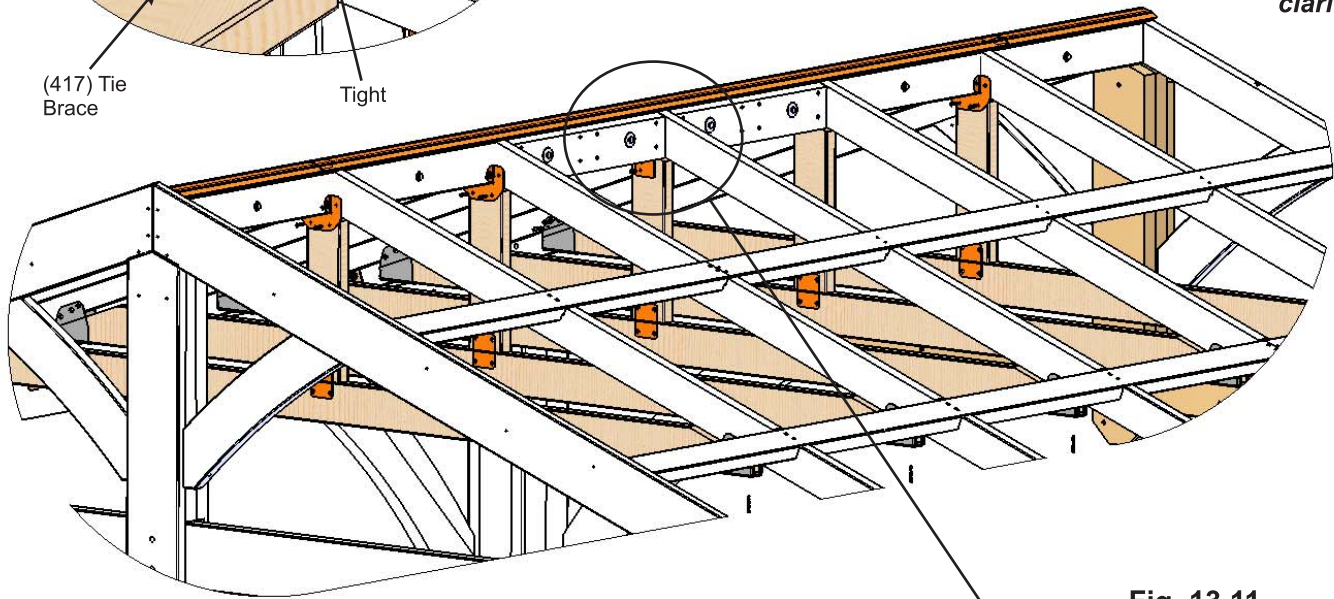
**G:** Secure remaining (417) Tie Brace to (467) Rafter Top and (469) Rafter Top Short with one Corner Bracket using four #8 x 1" Pan Screws. (fig. 13.9 and 13.11)

**Fig. 13.10**

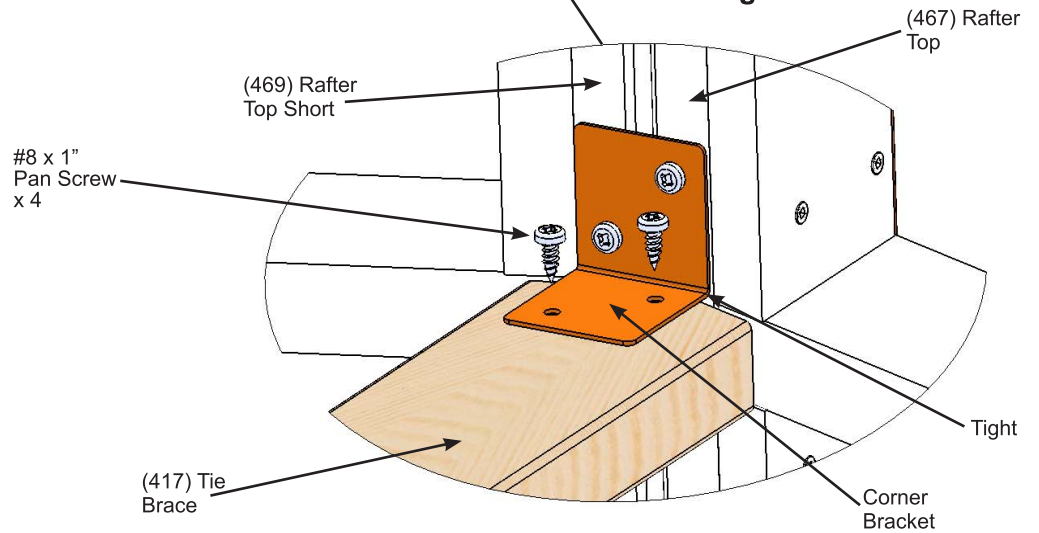


**Fig. 13.9**

*Roof Panel removed for clarity*



**Fig. 13.11**



**Componets:**

1 x Corner Bracket

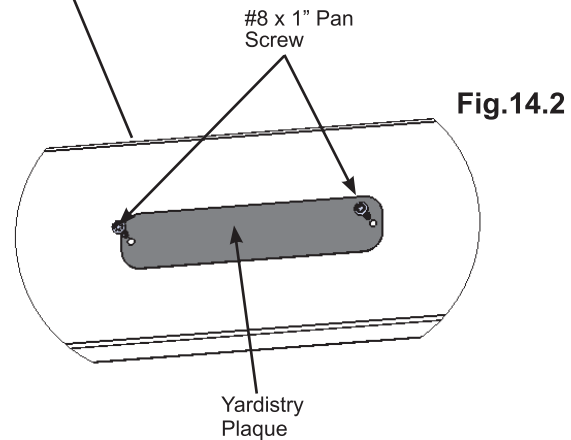
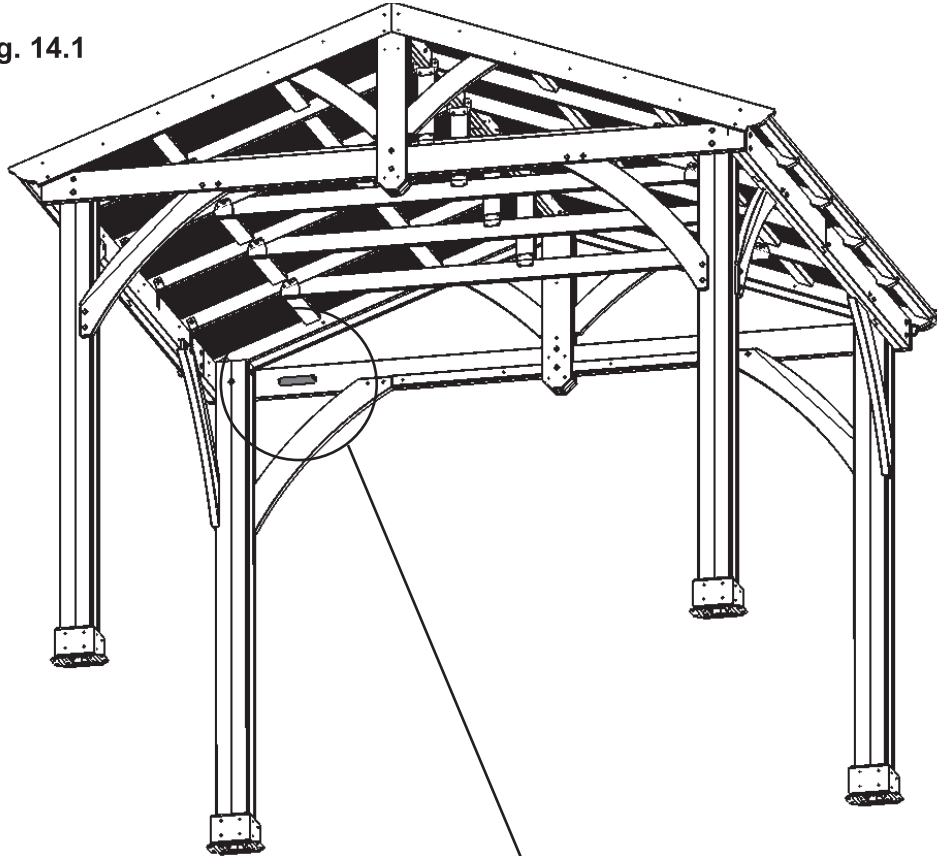
**Hardware**

12 x #8 x 1" Pan Screw

## Step 14: Attach Plaque

**A:** Attach Yardistry Plaque to a prominent location on your Pavilion with two #8 x 1" Pan Screws. This provides warnings concerning safety and important contact information. A tracking number is provided to allow you to get critical information or order replacement parts for this specific model. (fig. 14.1 and 14.2)

Fig. 14.1



**Componets:**

1 x Yardistry Plaque

**Hardware**

2 x #8 x 1" Pan Screw





## Customer Registration Card - Tarjeta de Registro del Cliente - Carte d'inscription du client

First Name - Primer Nombre - Prénom	Initial - Inicial - Initiale	Last Name - Apellido - Nom de famille

Street - Calle - Rue	PO Box - Casilla postal - Boîte postale	Apt. No. - App.

City - Ciudad - Ville	State/Province - Estado/Provincia - État/Province

ZIP/Postal Code - Código Postal - ZIP/Code postal	Country - País - Pays

E-mail Address - Dirección de E-mail - Adresse courriel	Telephone Number - No. de Teléfono - N° de téléphone

Model Name - Nombre del Modelo - Nom du modèle	Model Number (from front cover) - Número de Modelo (de la portada) - N° du modèle (page de couverture)

Date of Purchase - Fecha de Compra - Date d'achat (mm/dd/yyyy) (mm/dd/aaaa) (mm/jj/aaaa)	Place of Purchase - Comprado a - Lieu d'achat

Comments - Comentarios - Commentaires:

### Mail To - Enviar por Correo a - Envoyer par courrier à:

Yardistry  
375 Sligo Road West, PO Box 10  
Mount Forest, Ontario, Canada, N0G 2L0  
Attention: Consumer Relations  
Atención a: Servicio de Atención al Cliente  
À l'attention de: Service à la clientèle

### Online Registration - Registro online - Enregistrement en ligne:

<http://yardistrystructures.com/warranty.php>

Yardistry would like to say "Thank you" for your time and feedback.

Yardistry quiere "Agradecerle" por su tiempo y su opinión.

Yardistry aimerait vous remercier d'avoir pris le temps de répondre au sondage.