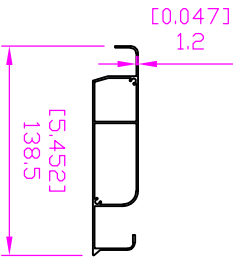
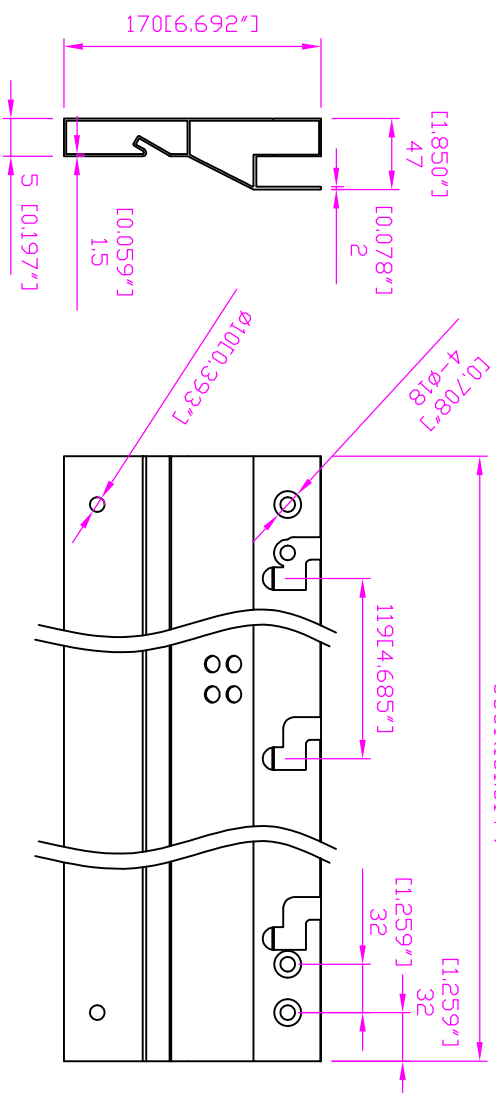
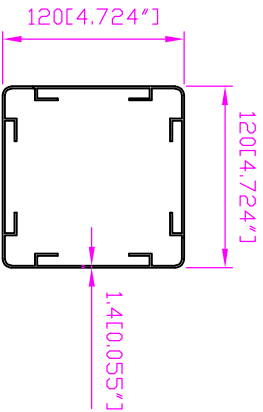


Common Louvers
(Aluminum T5-6063)

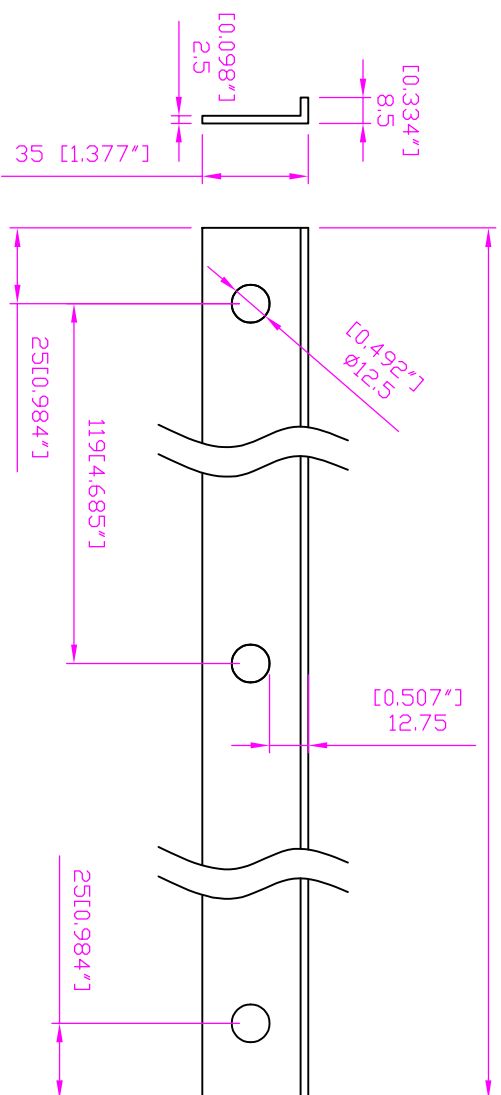


Pillar
(Aluminum T5-6063)



Louver Beam
(Aluminum T5-6063)

Louver Connecting Rail
(Aluminum T5-6063)



BON PERGOLA

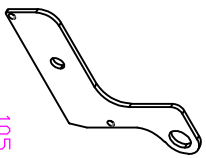
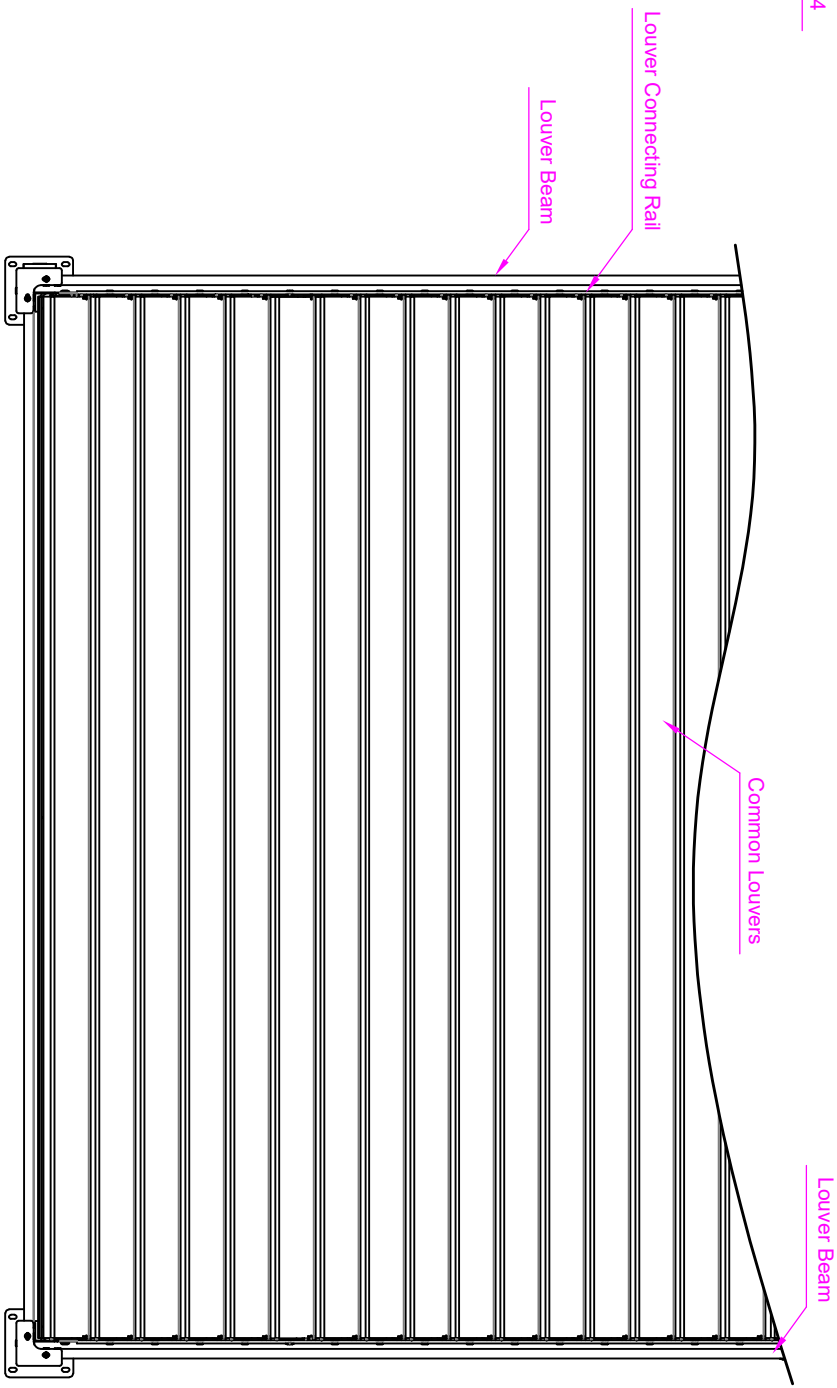
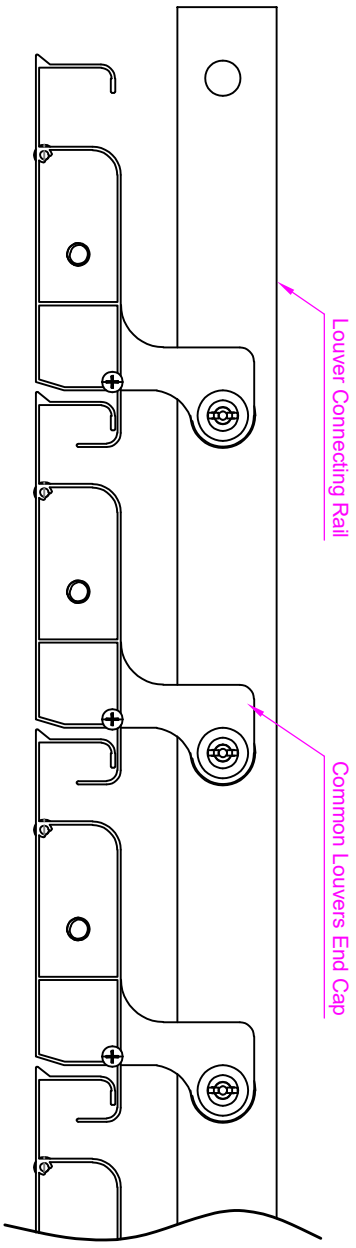
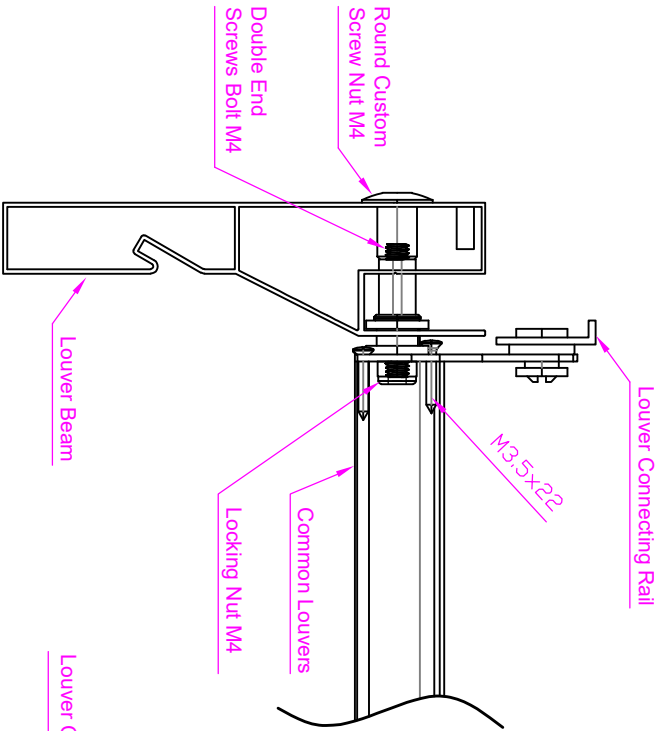
UNIT
inch / mm

A4

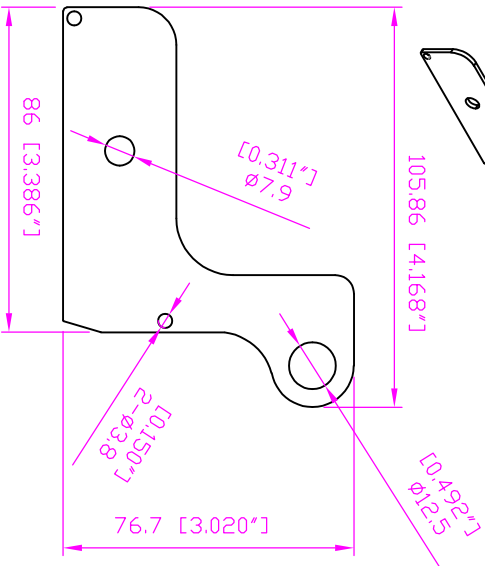
DATE
2022/01/17



p. 1/4



Common Louvers End Cap
(Steel Q235B)



BON PERGOLA

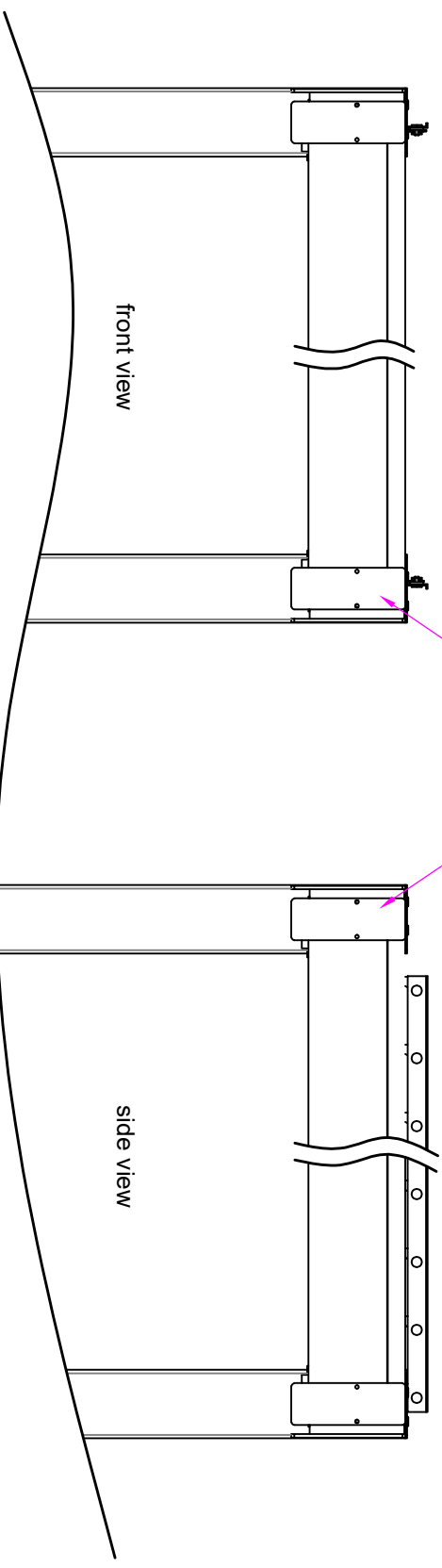
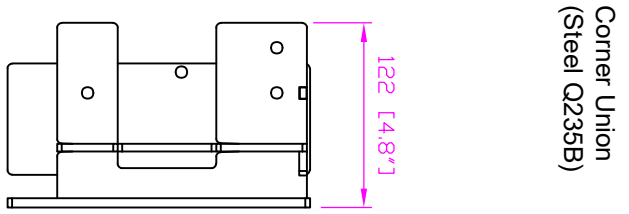
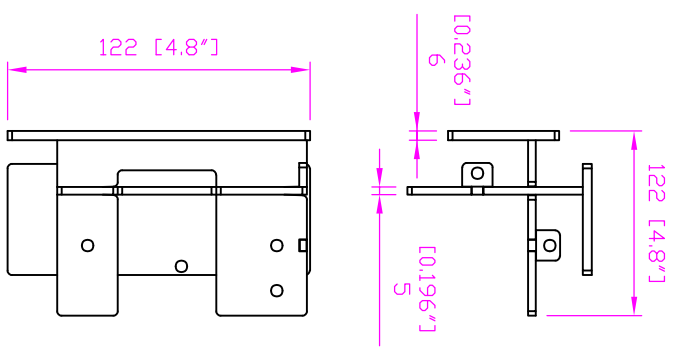
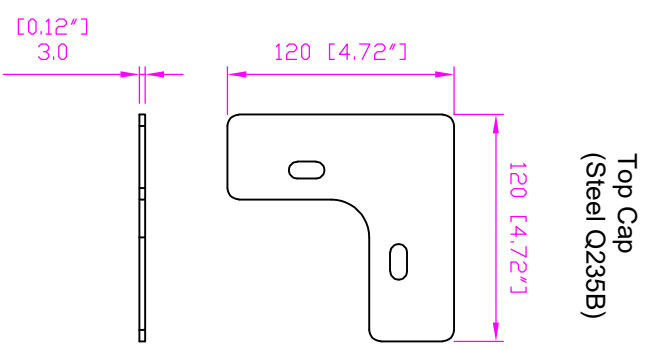
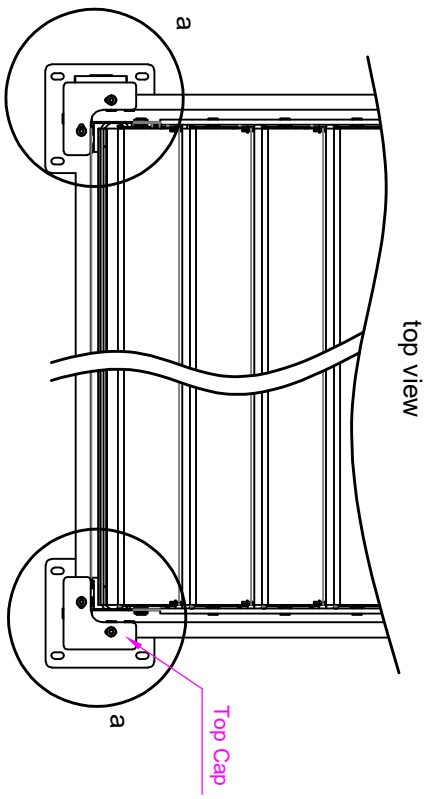
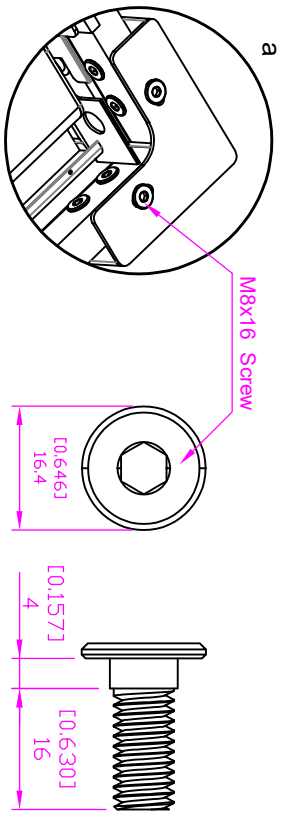
UNIT
inch / mm

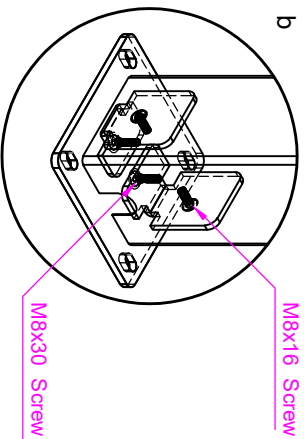
A4

DATE
2022/01/17

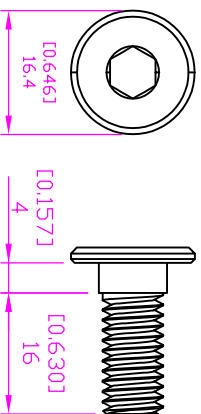


p. 2/4

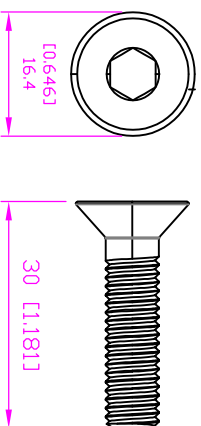




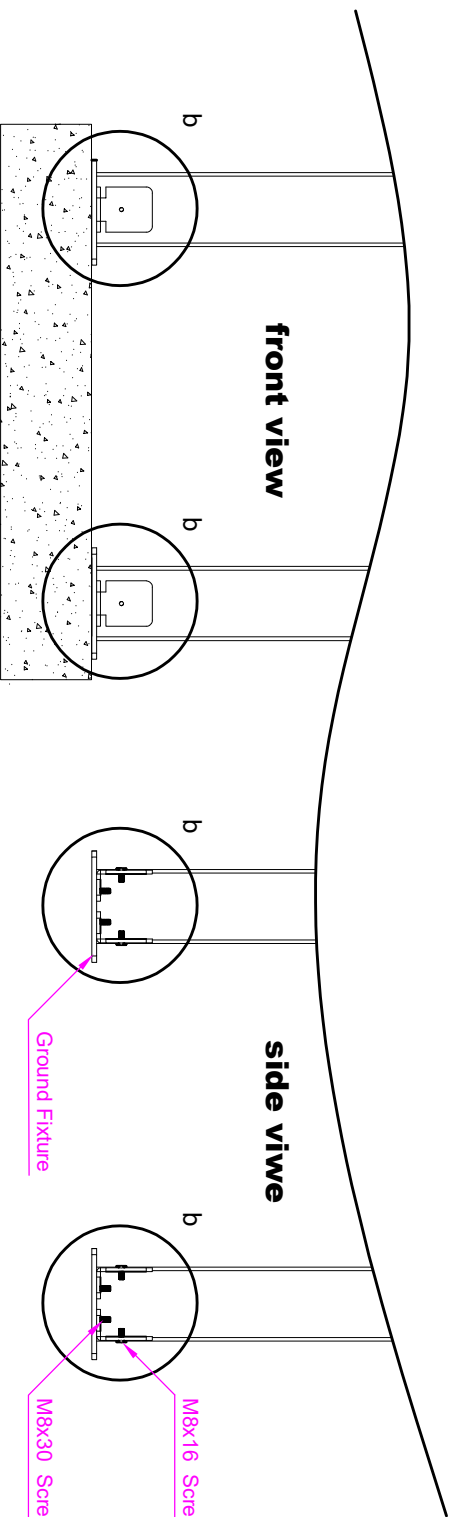
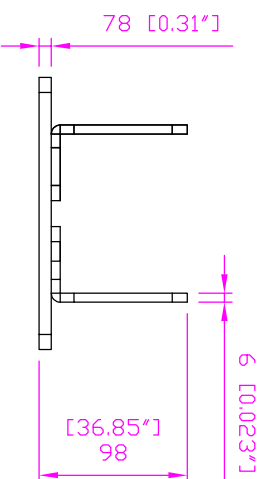
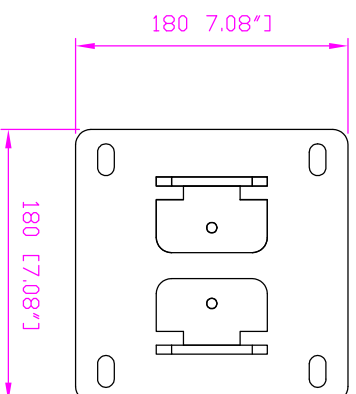
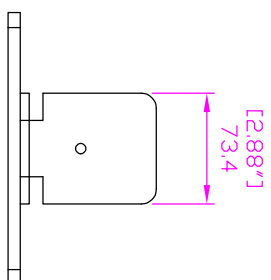
M8x16 Screw



M8x30 Screw



Ground Fixture
(Steel Q235B)



front view

side viwe