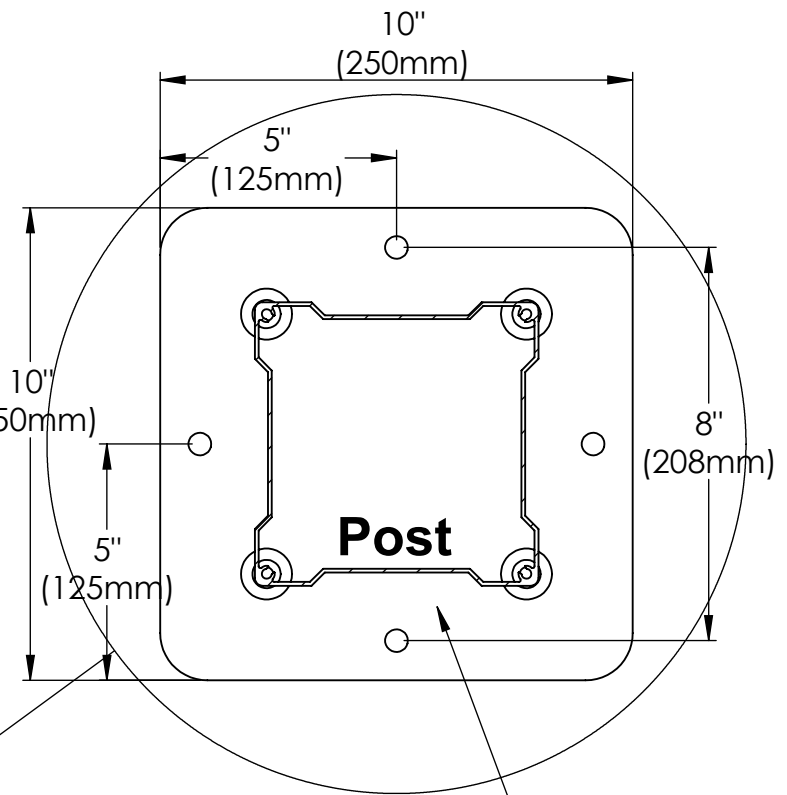
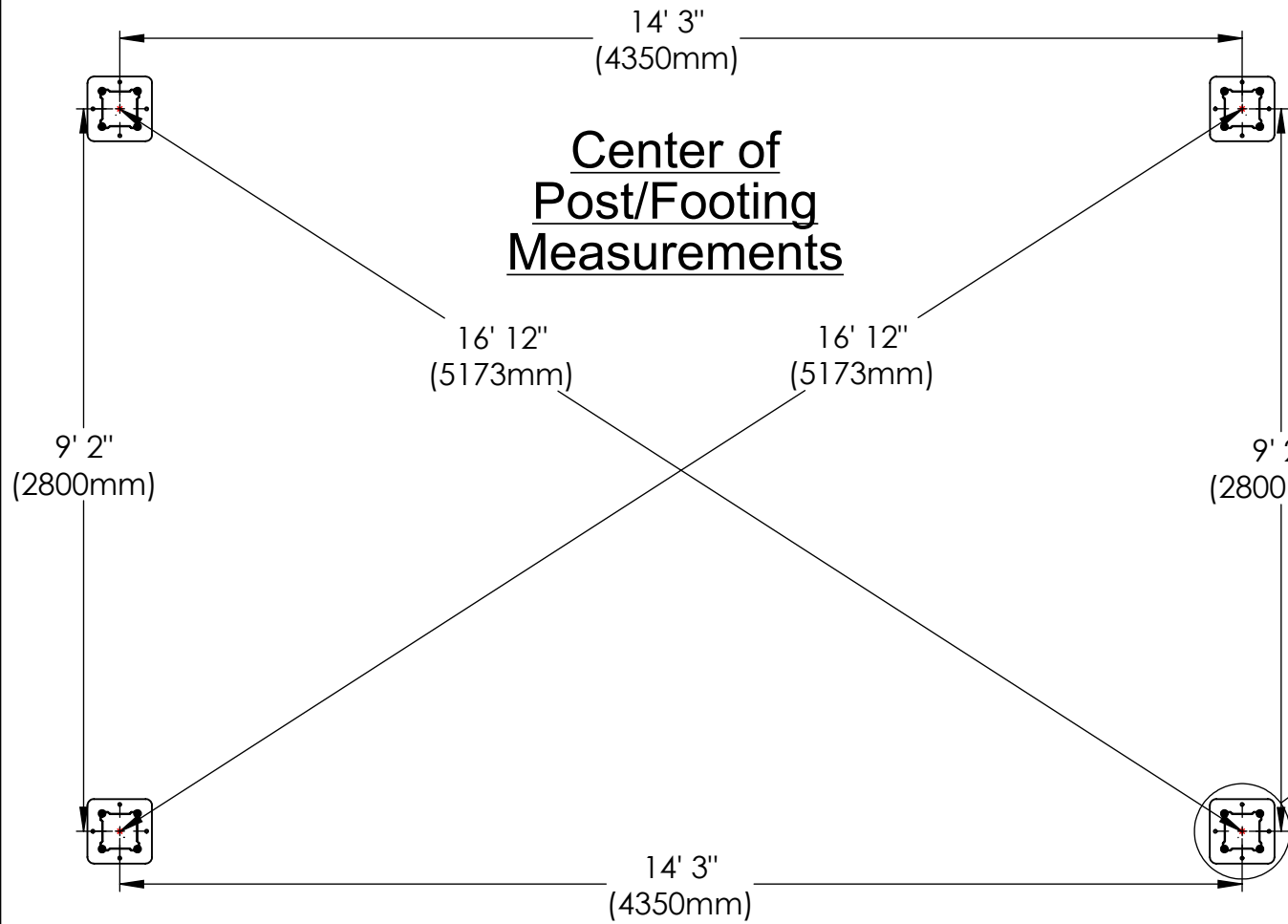


**Center of Post/Footing Measurements**



**Post Detail**