



# ROGUE®

## Assembly Guide Guide de Montage Guía de Ensamblaje

*RXT625SIB-1*

*RXT525SIB-1*

*RXT525-1*

*RXT425SIB-1*

*RXT425-1*

*RXT365SIB-1*

0 inch  
1  
2



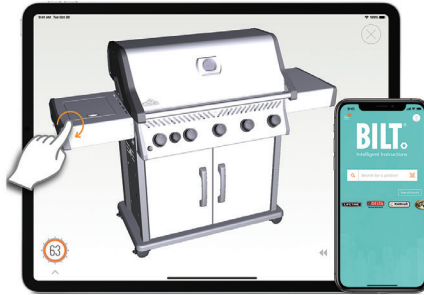


**IMPORTANT / IMPORTANTE**

**EASY STEP-BY-STEP  
3D INTERACTIVE INSTRUCTIONS**

**ÉTAPE PAR ÉTAPE ET FACILES À SUIVRE  
DES INSTRUCTIONS 3D INTERACTIVES**

**PASO POR PASO FÁCIL  
INSTRUCCIONES INTERACTIVAS EN 3D**



**BILT® INTELLIGENT  
INSTRUCTIONS**



**DOWNLOAD THE FREE APP  
TÉLÉCHARGEZ L'APPLICATION GRATUITE  
DESCARGUE EL APP GRATIS**

Available for some models in this guide: RXT425, RXT525, RXT365SIB, RXT525SIB, RXT625SIB.  
Disponible pour certains modèles dans ce guide: RXT425, RXT525, RXT365SIB, RXT525SIB, RXT625SIB.  
Disponible para algunos modelos en esta guía: RXT425, RXT525, RXT365SIB RXT525SIB, RXT625SIB.





# WELCOME TO NAPOLEON!

# BIENVENUE À NAPOLEON!

# BIENVENIDO A NAPOLEÓN!

**Congratulations** on upgrading your grilling game and welcome to the Napoleon family! Register your grill today. We want to be by your side as you live memorable moments.

**Félicitations** pour votre achat et bienvenue dans la famille Napoleon. inscrivez votre gril dès aujourd'hui. nous voulons être à vos côtés pour tous vos moments de grillades agréables.

**Felicidades** por elevar tu potencial como chef parrillero y Bienvenido a la familia Napoleon! Registra tu asador para permitirnos estar contigo mientras vives momentos inolvidables.

## Ready to assemble your new grill?...

## Prêt à assembler votre nouveau gril?...

## ¿Listo para ensamblar tu asador?...



There may be visual differences between illustrations and model purchased. Remove all parts from packaging before assembling the barbecue. Set up this assembly on a solid, level and horizontal surface.



Il peut y avoir des différences visuelles entre les illustrations et le modèle acheté. Retirez toutes les pièces de l'emballage avant d'assembler le barbecue. Installez cet assemblage sur une surface solide, plane et horizontale.

Considera que puede haber diferencias entre las ilustraciones en esta guía y el modelo adquirido. Retira todas las partes de sus empaques antes de comenzar. Asegurate de ensamblar tu parrilla en una superficie plana y sólida.



**These are the tools you'll need (not included)**

**Ce sont les outils dont vous aurez besoin (non inclus)**

**Estas son las herramientas que necesitarás (no incluidas)**



3/8  
(10mm)

3/8  
(10mm)

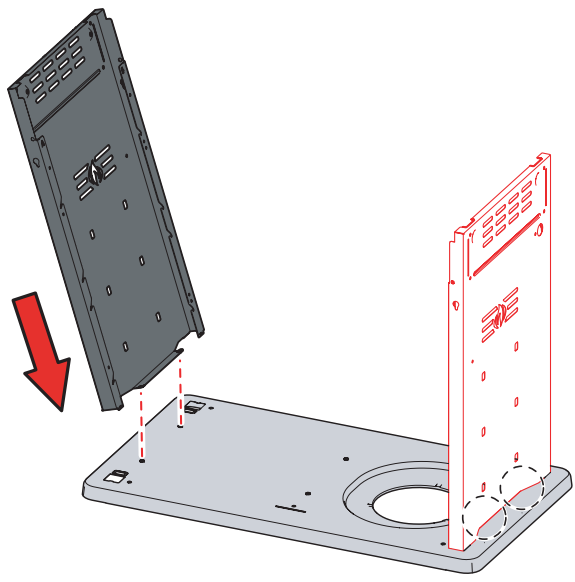
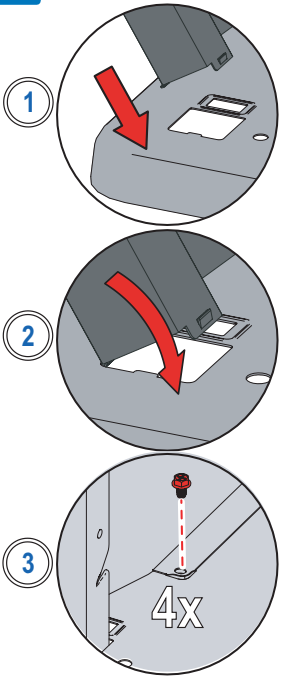
#3





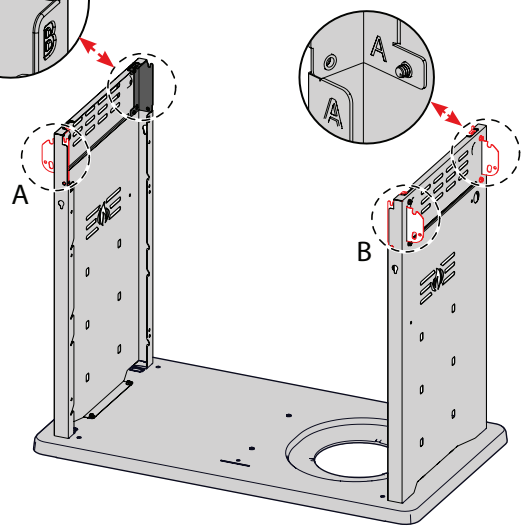
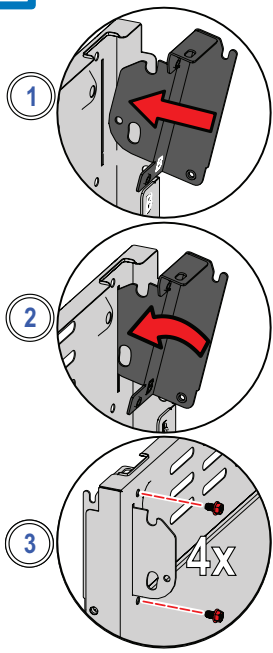
1

 4x



2

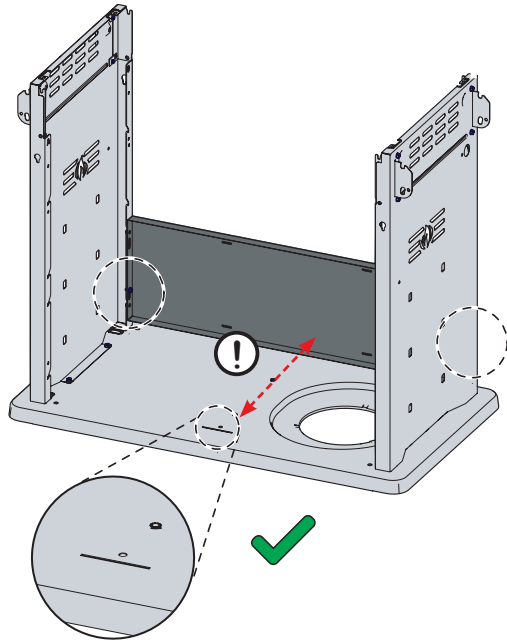
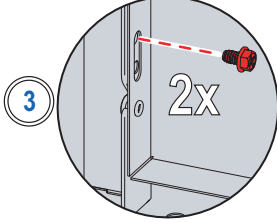
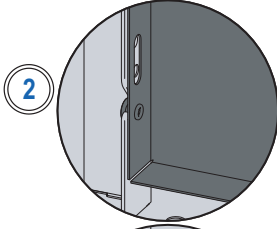
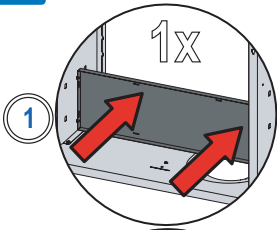
 8x





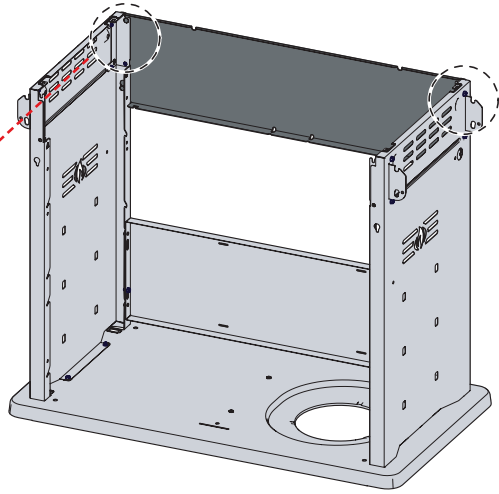
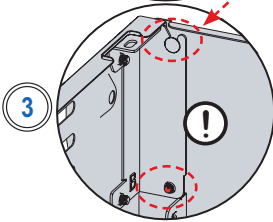
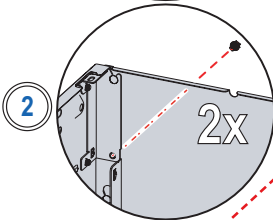
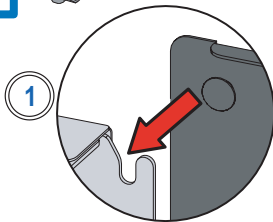
**3**

2x



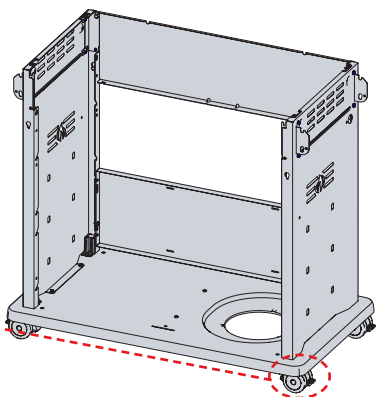
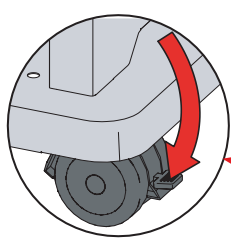
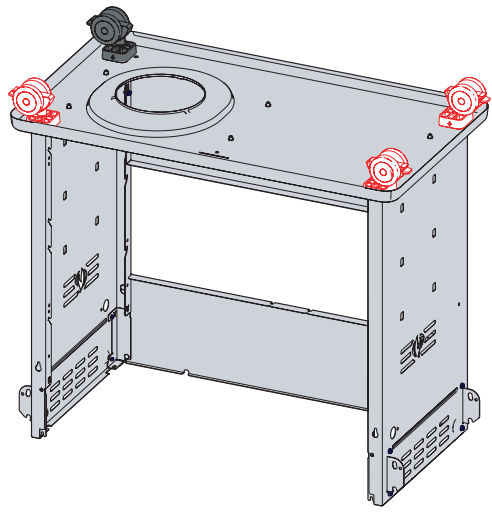
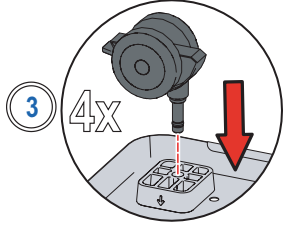
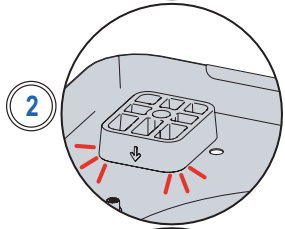
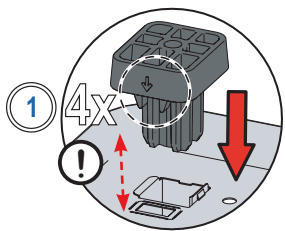
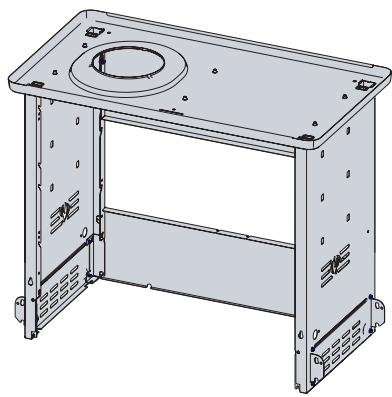
**4**

2x





5

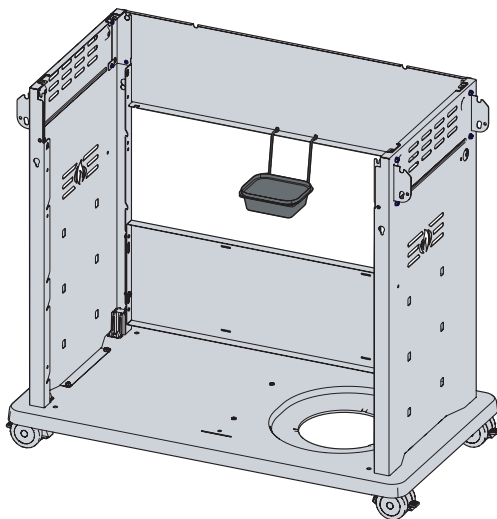
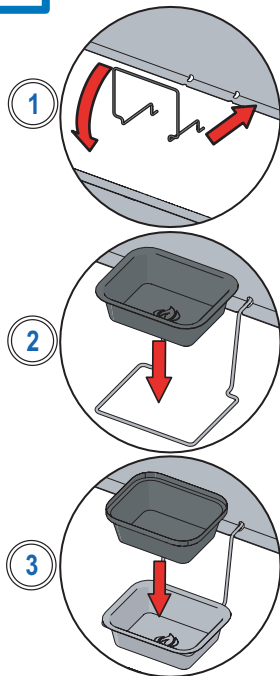


6

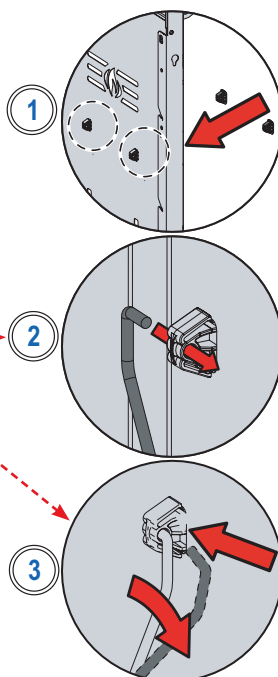
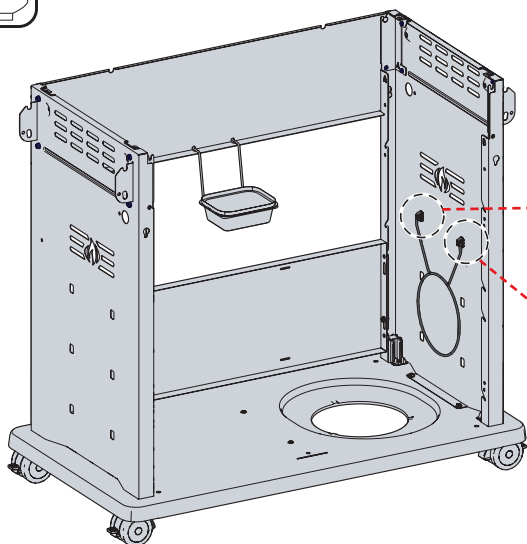




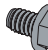
6



7





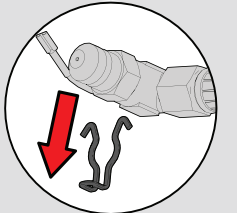
8  4x

 SIB

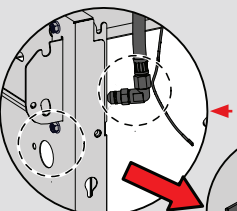
1



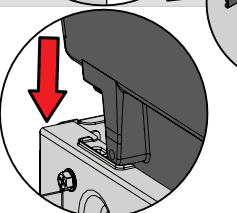
2



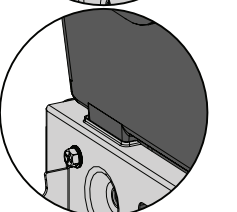
5



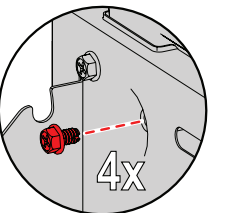
6



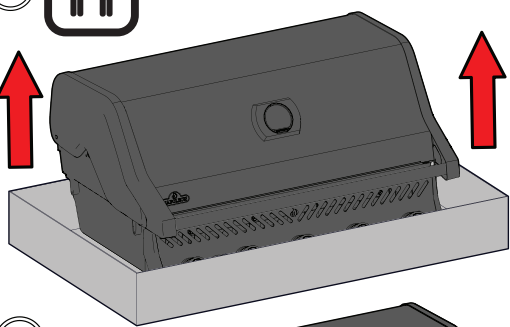
7



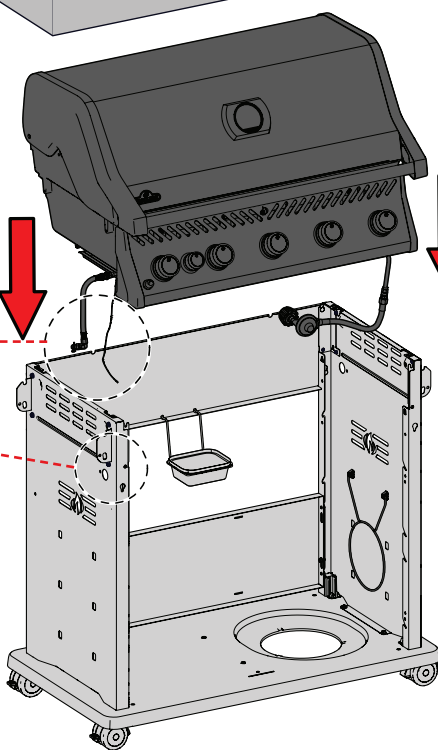
8



3



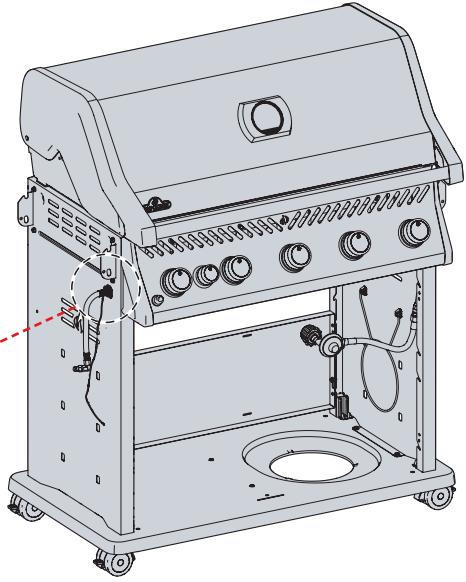
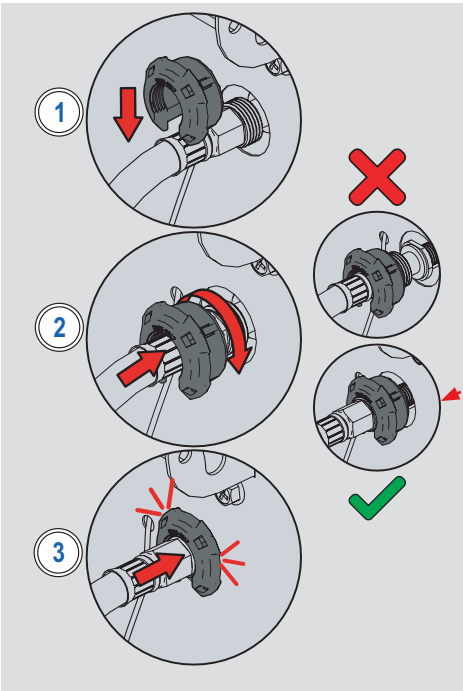
4



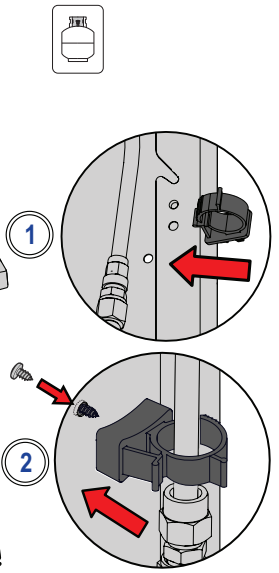
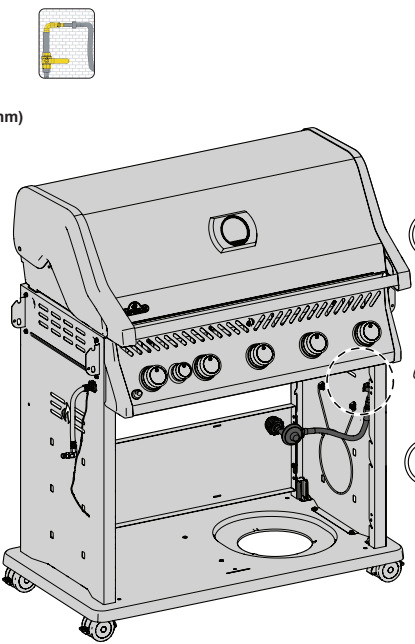
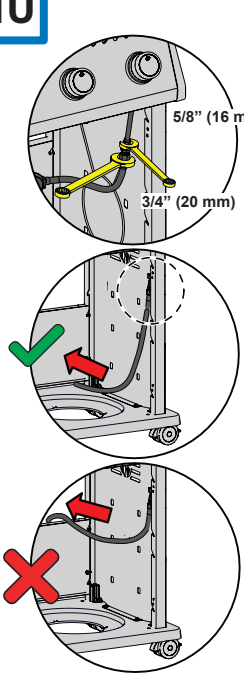


9

SIB



10

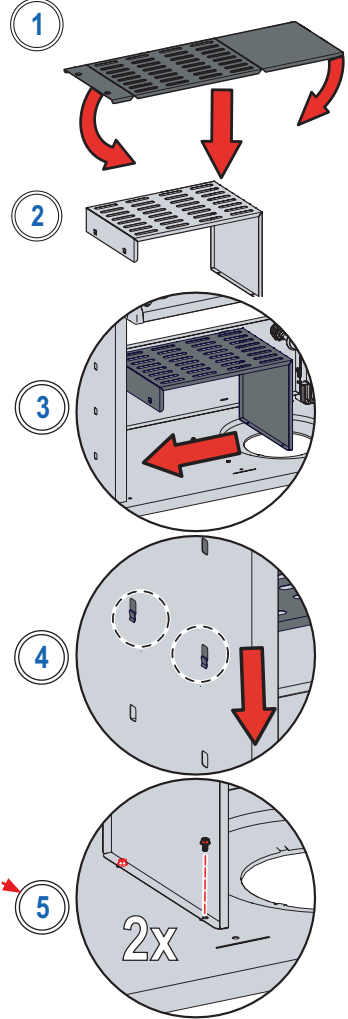
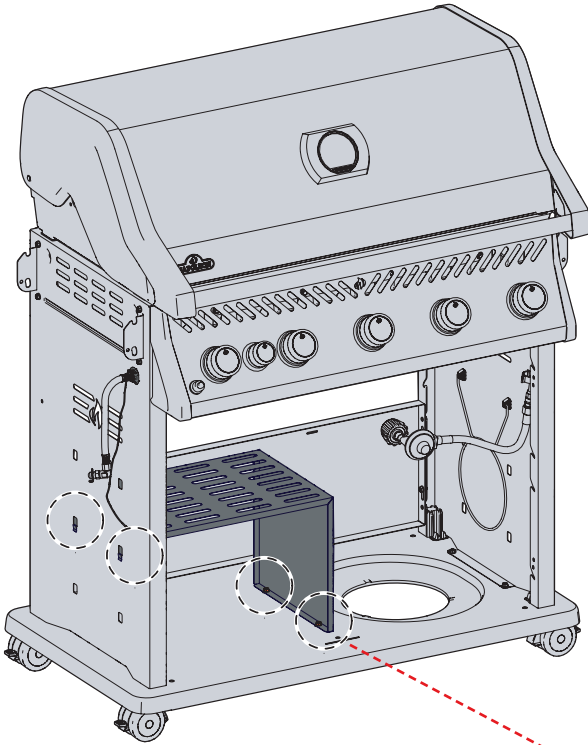




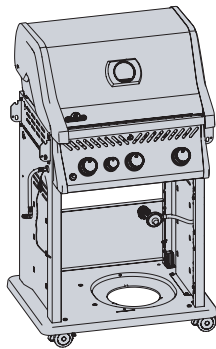
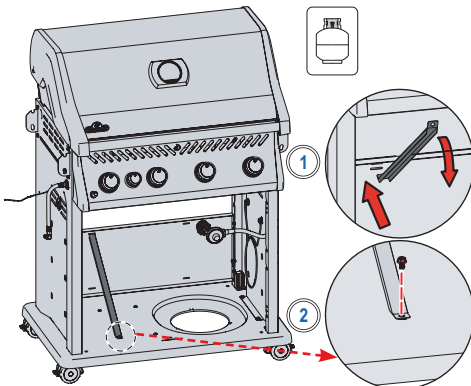
11

2x (625) 1x (525)

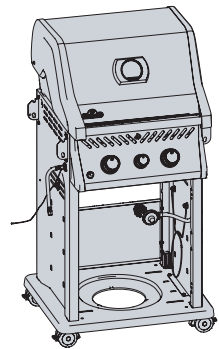
625 525 425 365



625 525 425 365



RXT425



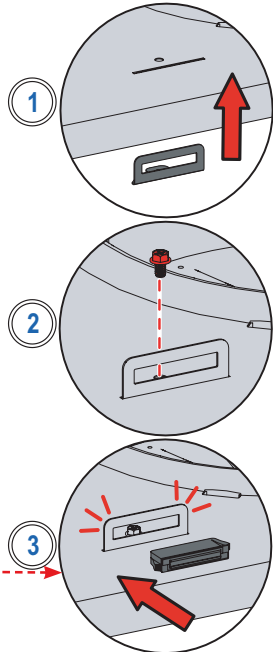
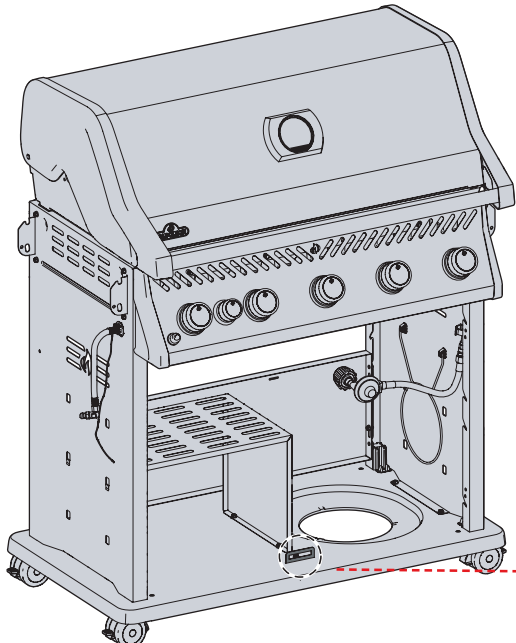
RXT365



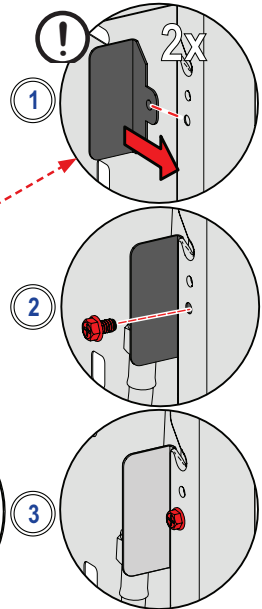
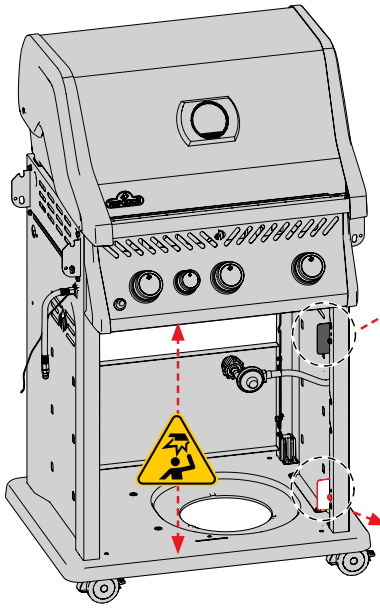


**12**  1x (625 / 525)  2x (425 / 365)

 625  525  425  365



 625  525  425  365



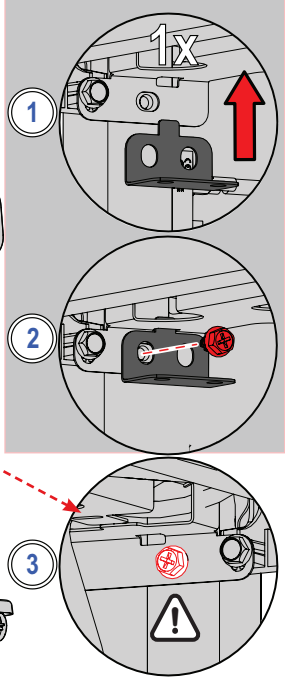
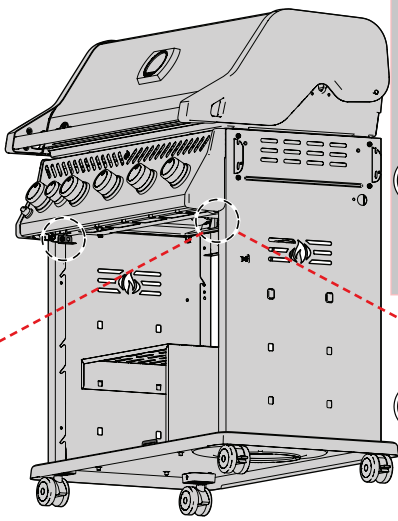
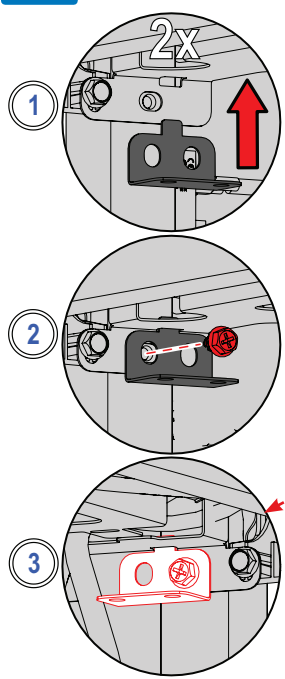


13

 2x

 625  525

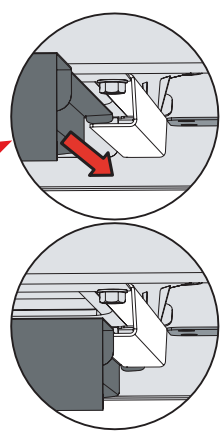
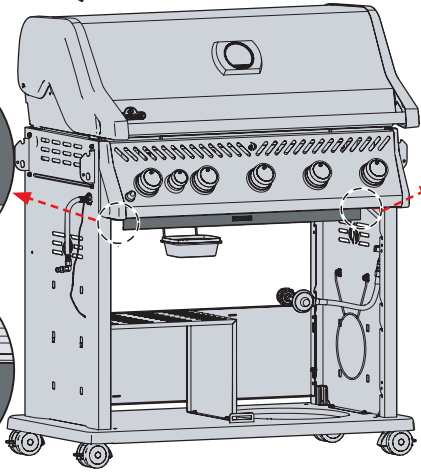
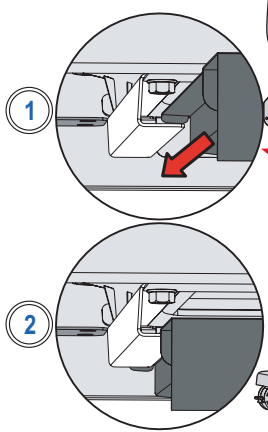
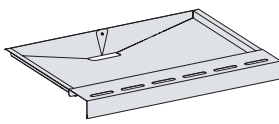
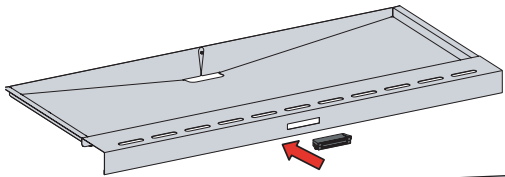
 425  365



14

 625  525

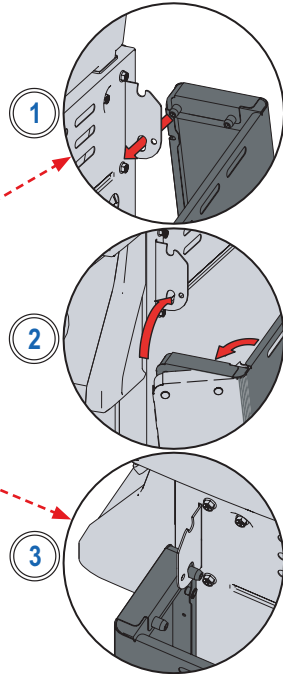
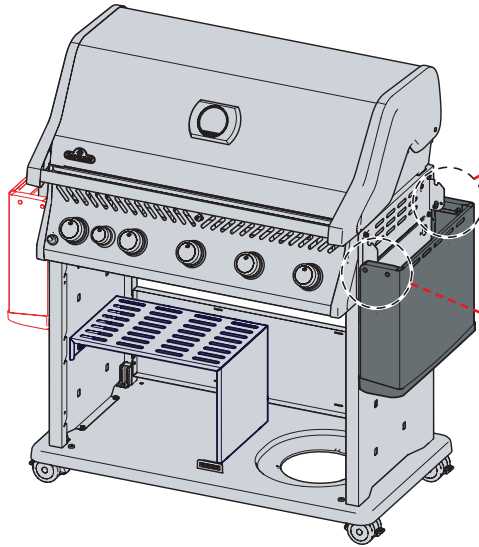
 425  365





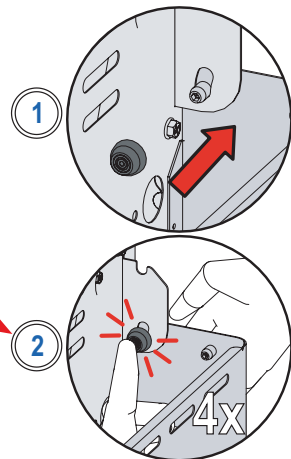
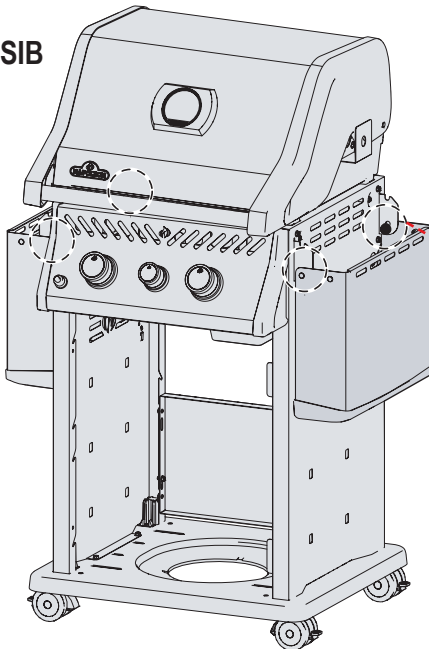
**15** 625 525 425 365

NON-SIB



**16** 625 525 425 365

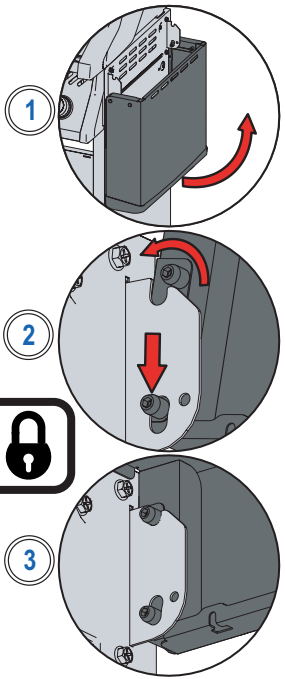
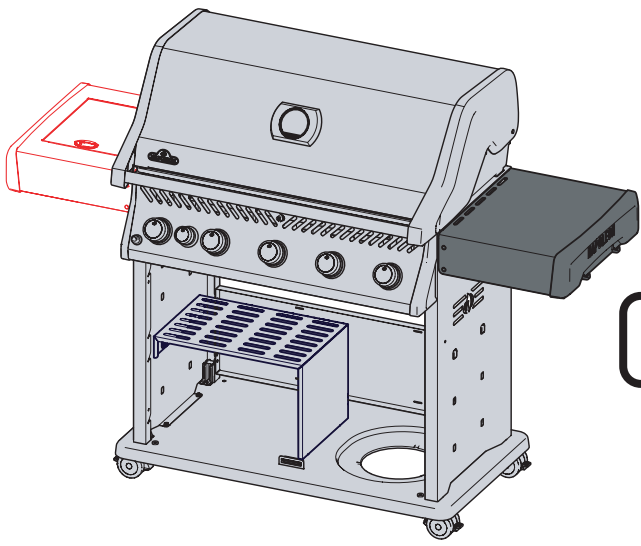
NON-SIB





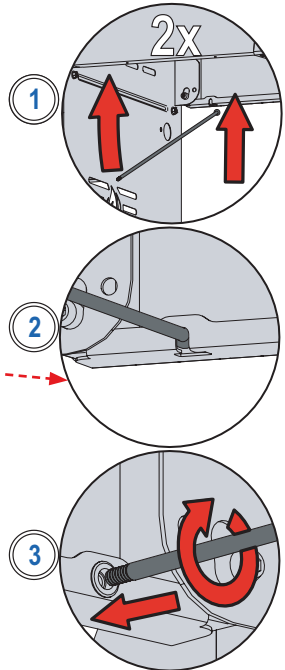
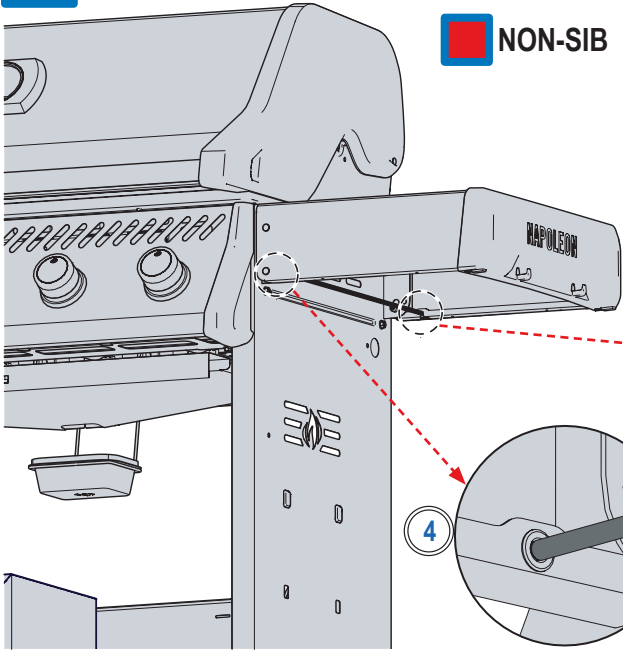
17 ■ 625 ■ 525 ■ 425 ■ 365

■ NON-SIB



18 ■ 625 ■ 525 □ 425 □ 365

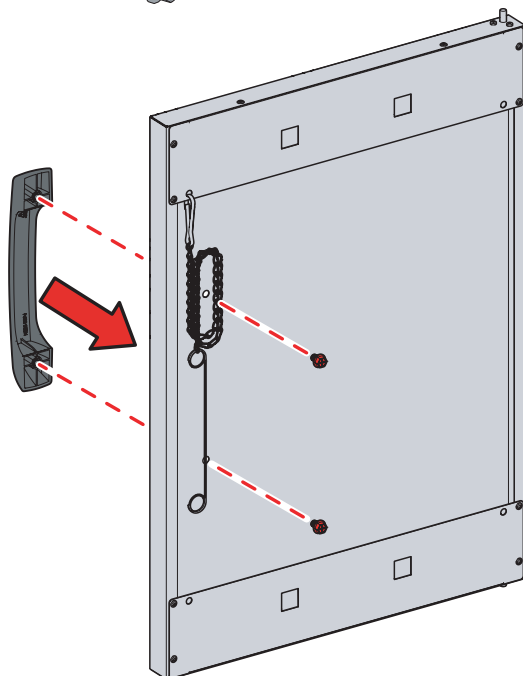
■ NON-SIB





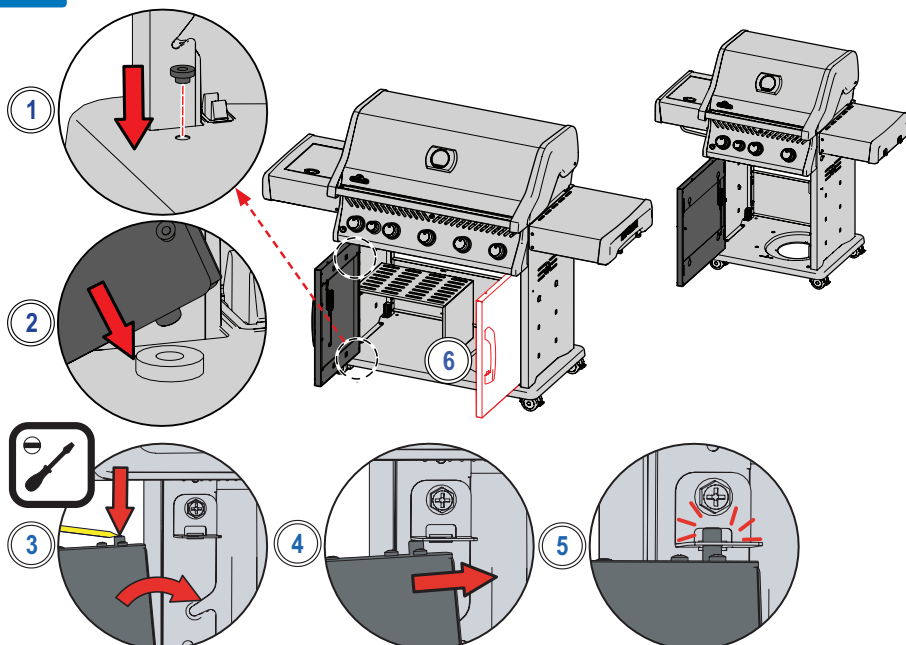
**19**

 4x (625 / 525)  2x (425 / 365)



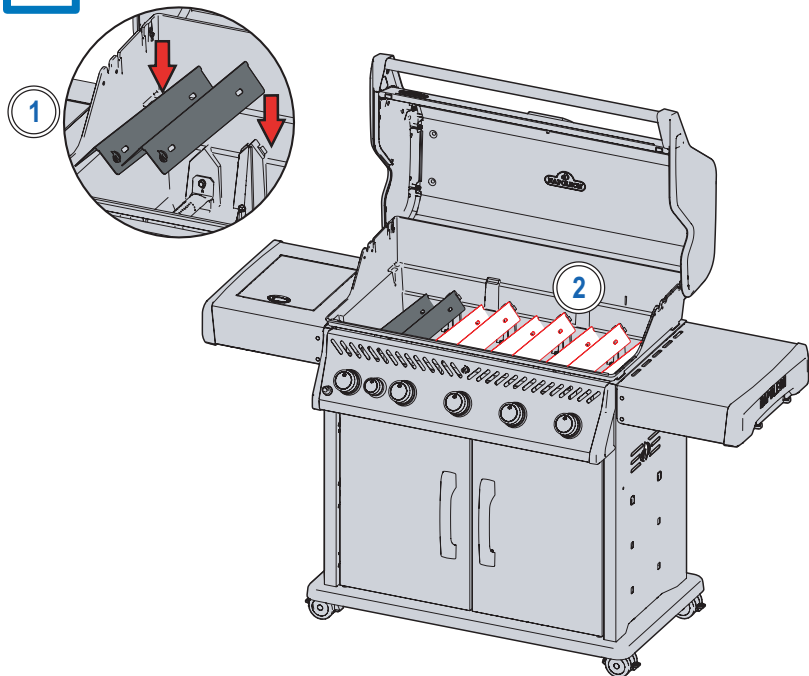
**20**

 2x (625 / 525)  1x (425 / 365)

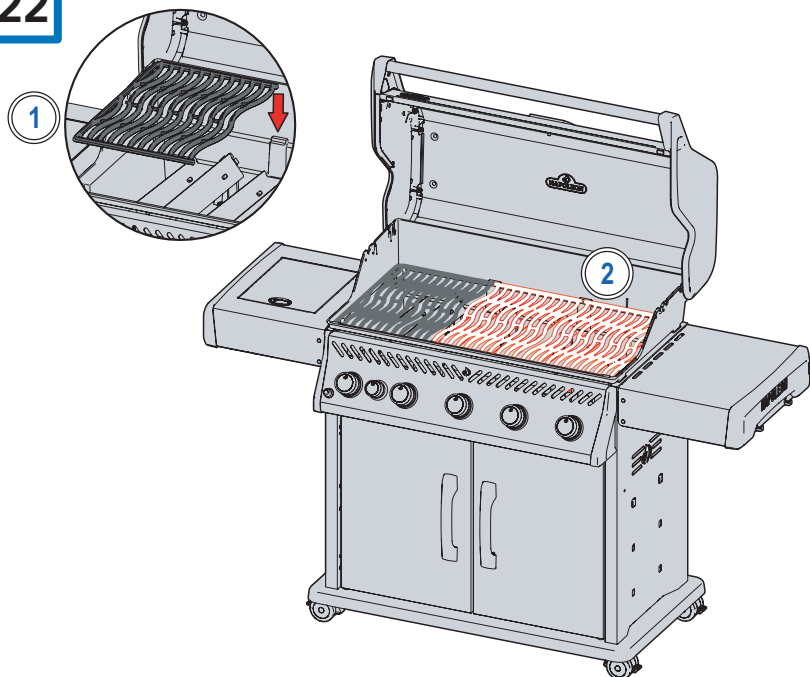




21



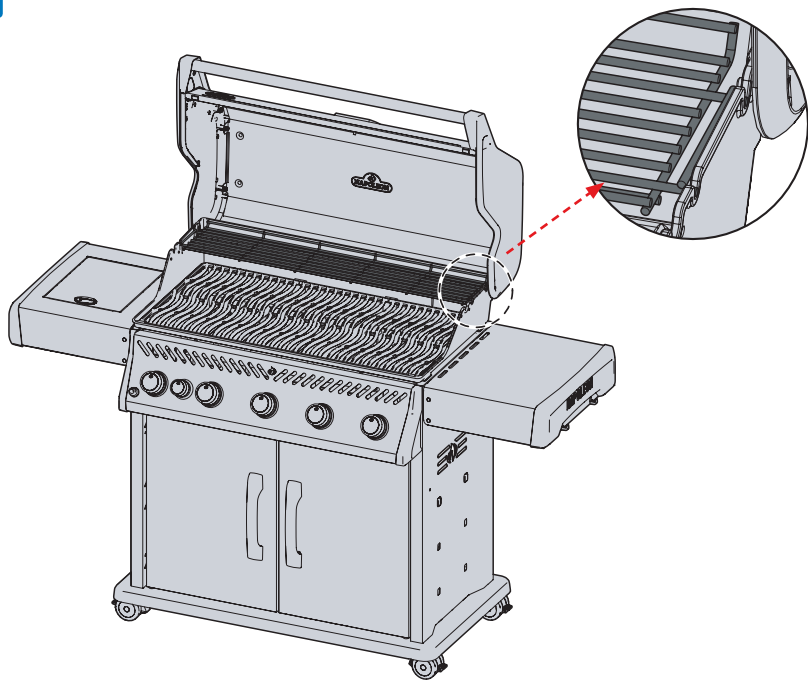
22







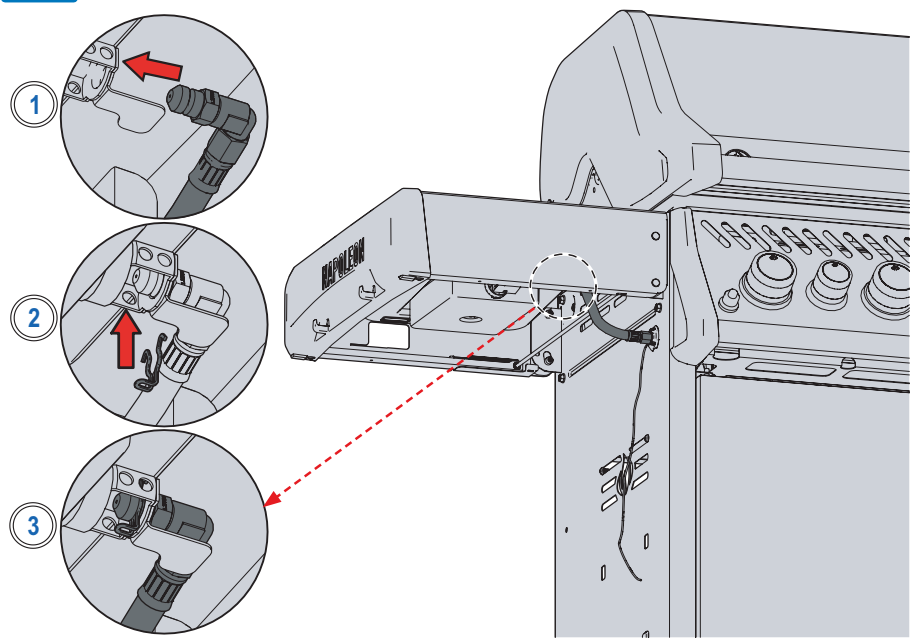
# 23



# 24

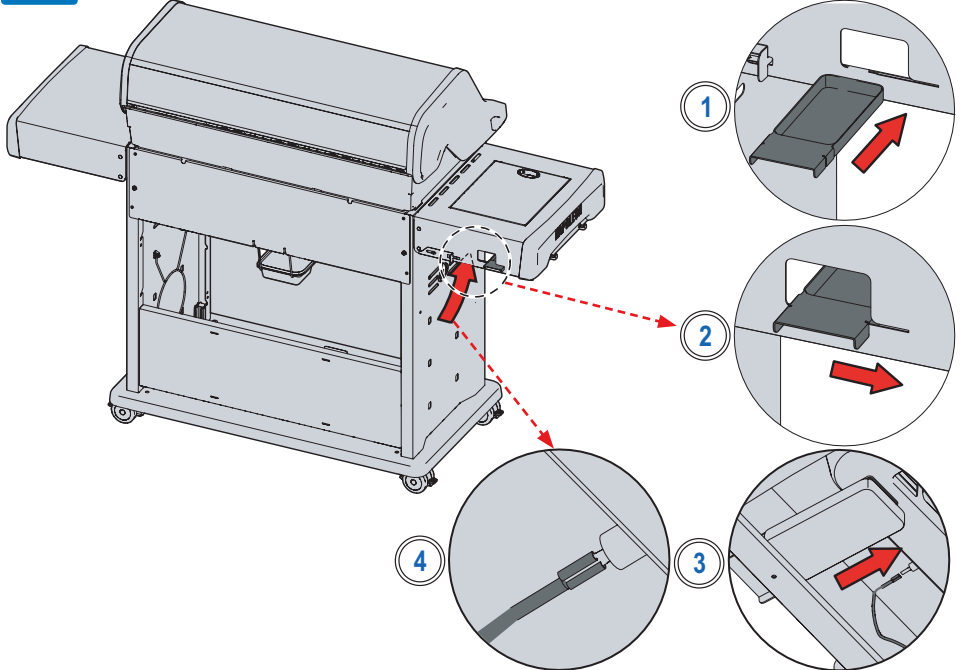


SIB



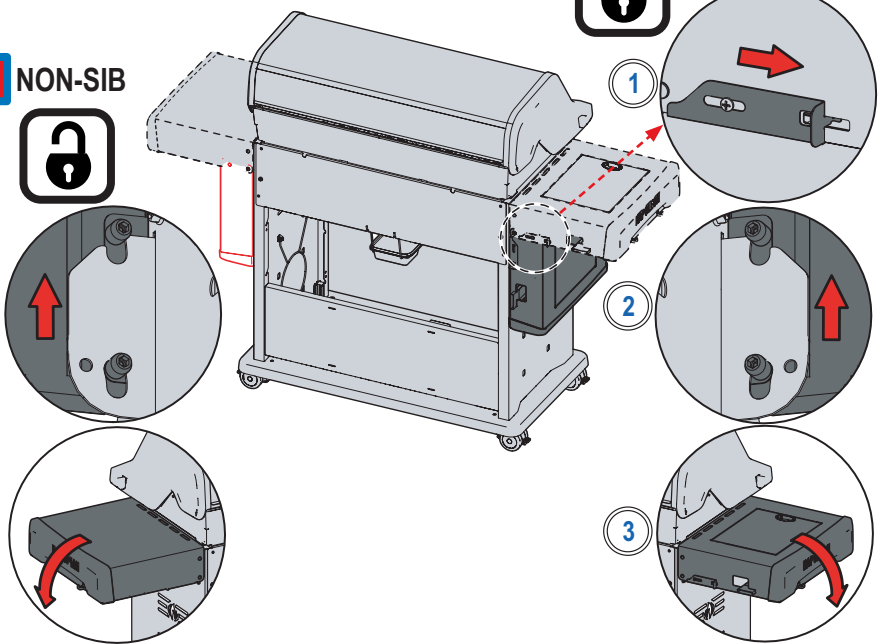


# 25 SIB



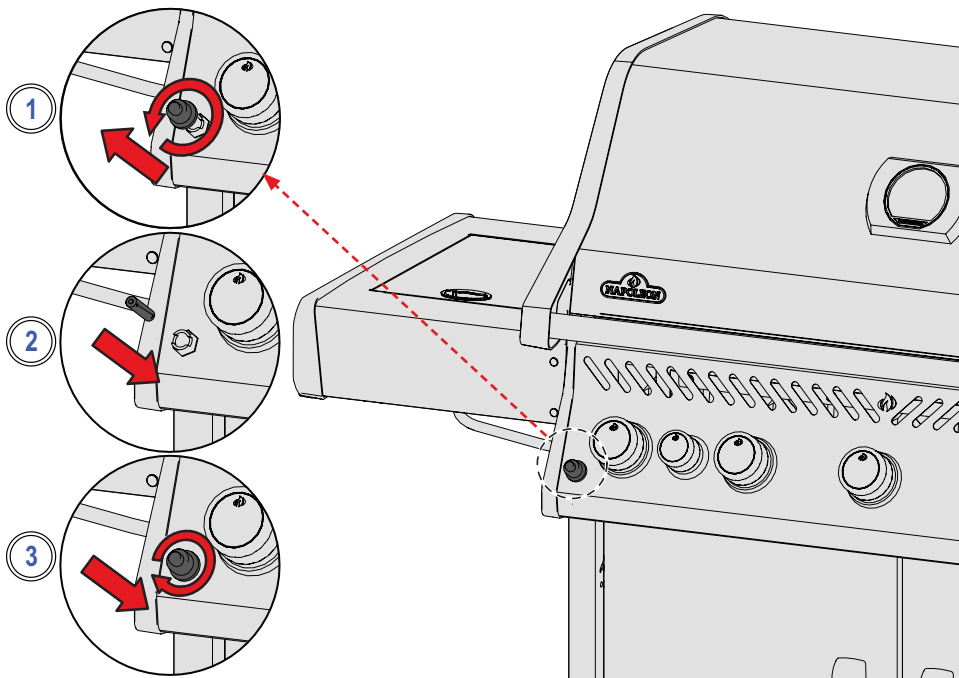
# 26 SIB

 NON-SIB



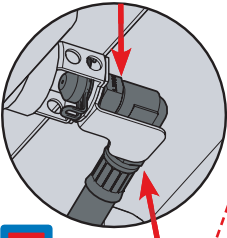
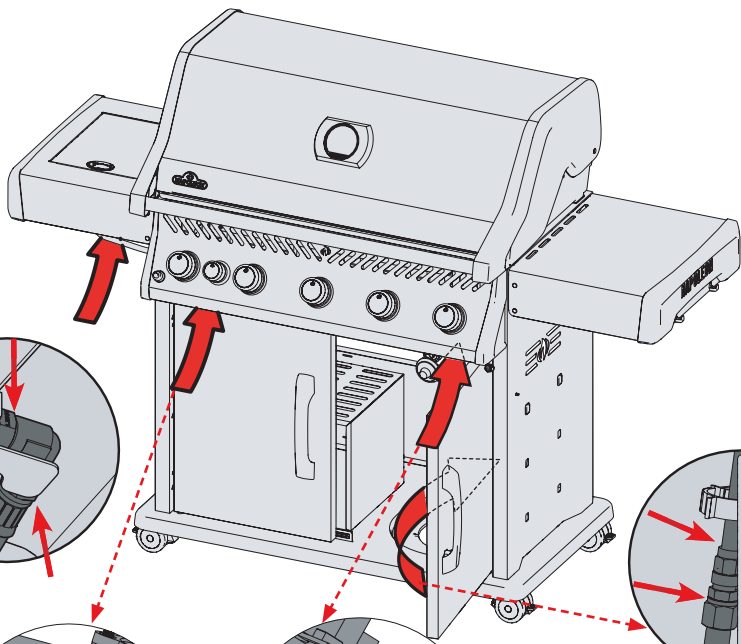
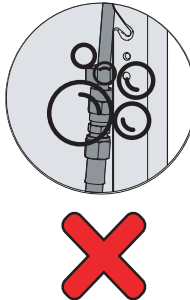
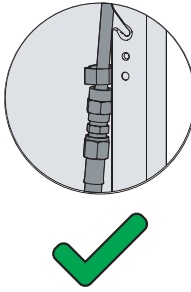


**27**  SIB  1x

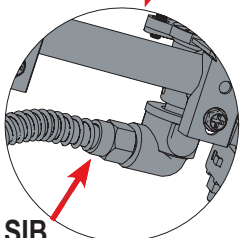




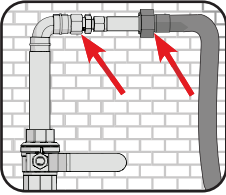
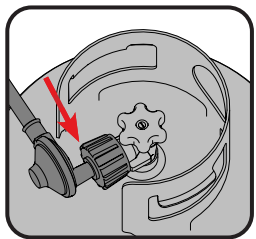
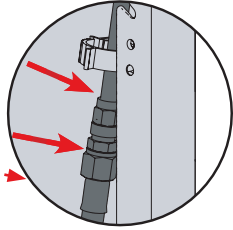
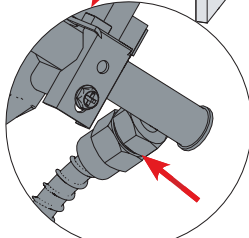
28



SIB



SIB



## Parts List / Liste des pieces / Lista de partes

|               | Part # / Partie # / Parte # | RXT365SIB | RXT425 | RXT425SIB | RXT525 | RXT525SIB | RXT625SIB |
|---------------|-----------------------------|-----------|--------|-----------|--------|-----------|-----------|
| 1             | N010-1274-SS                | x         |        |           |        |           |           |
|               | N010-1274-BK                | x         |        |           |        |           |           |
|               | N010-1031-SS                |           | x      | x         |        |           |           |
|               | N010-1031-BK                |           | x      | x         |        |           |           |
|               | N010-1034-SS                |           |        |           | x      | x         |           |
|               | N010-1034-BK                |           |        |           | x      | x         |           |
| 2             | N010-1233-SS                |           |        |           |        |           | x         |
|               | N010-1233-BK                |           |        |           |        |           | x         |
|               | S91003                      | x         | x      | x         | x      | x         | x         |
|               | N385-0307-SER               | x         | x      | x         | x      | x         | x         |
|               | N510-0013                   | x         | x      | x         | x      | x         | x         |
|               | S87014                      | x         | x      | x         | x      | x         | x         |
| 3             | N520-0051                   | x         |        |           |        |           |           |
|               | N520-0050                   |           | x      | x         |        |           |           |
|               | N520-0049                   |           |        |           | x      | x         |           |
|               | N520-0048                   |           |        |           |        |           | x         |
|               | S83015                      | x         |        |           |        |           |           |
|               | S83016                      | ac        |        |           |        |           |           |
| 4             | S83008                      |           | x      | x         |        |           |           |
|               | S83013                      |           | ac     | ac        |        |           |           |
|               | S83024                      |           |        |           | x      | x         |           |
|               | S83023                      |           |        |           | ac     | ac        |           |
|               | S83021                      |           |        |           |        |           | x         |
|               | S83022                      |           |        |           |        |           | ac        |
| 5             | S87016                      | x         |        |           |        |           |           |
|               | S87010                      |           | x      | x         |        |           |           |
|               | S87013                      |           |        |           | x      | x         |           |
|               | S87017                      |           |        |           |        |           | x         |
| 6             | S87001                      | x         | x      | x         | x      | x         | x         |
|               | N200-0126-GY1SG             | x         |        |           |        |           |           |
|               | N200-0136-GY1SG             |           | x      | x         |        |           |           |
|               | N200-0137-GY1SG             |           |        |           | x      | x         |           |
| 7             | N200-0138-GY1SG             |           |        |           |        |           | x         |
|               | N010-1191-SER               | p         |        |           |        |           |           |
|               | N010-1192-SER               | n         |        |           |        |           |           |
|               | N010-1291-SER               | p         |        |           |        |           |           |
|               | N010-1292-SER               | n         |        |           |        |           |           |
|               | N010-1194-SER               |           | p      |           |        |           |           |
|               | N010-1196-SER               |           | n      |           |        |           |           |
|               | N010-1198-SER               |           |        | p         |        |           |           |
|               | N010-1202-SER               |           |        | n         |        |           |           |
|               | N010-1260-SER               |           |        | p         |        |           |           |
|               | N010-1263-SER               |           |        | n         |        |           |           |
|               | N010-1000-SER               |           |        |           | p      |           |           |
|               | N010-1001-SER               |           |        |           | n      |           |           |
|               | N010-1004-SER               |           |        |           |        | p         |           |
|               | N010-1005-SER               |           |        |           |        | n         |           |
|               | N010-1293-SER               |           |        |           |        | p         |           |
|               | N010-1294-SER               |           |        |           |        | n         |           |
| N010-1295-SER |                             |           |        |           |        | p         |           |
| N010-1296-SER |                             |           |        |           |        | n         |           |
| N010-1297-SER |                             |           |        |           |        | p         |           |
| N010-1298-SER |                             |           |        |           |        | n         |           |
| 8             | S86002                      | x         |        | x         |        | x         | x         |

Parts List / Liste des pieces / Lista de partes

|    | Part # / Partie # / Parte # | RXT365SIB | RXT425 | RXT425SIB | RXT525 | RXT525SIB | RXT625SIB |
|----|-----------------------------|-----------|--------|-----------|--------|-----------|-----------|
| 13 | N380-0044                   | x         |        | x         |        | x         | x         |
| 14 | N380-0043                   | x         | x      | x         | x      | x         | x         |
| 15 | N160-0045                   | x         | x      | x         | x      | x         | x         |
| 16 | N010-1007-SER               | x         |        | x         |        |           |           |
|    | N010-1042-SER               | x         |        | x         |        |           |           |
|    | N010-1147-SER               |           |        |           |        | x         | x         |
|    | N010-1219-SER               |           |        |           |        | x         | x         |
| 17 | Z325-0013                   | x         |        | x         |        | x         | x         |
| 18 | Z335-0007                   | x         |        | x         |        | x         | x         |
|    | N335-0099-BK1HR             | x         |        | x         |        | x         | x         |
| 19 | S83009                      | x         |        | x         |        | x         | x         |
| 20 | Z430-0002                   | x         |        | x         |        | x         | x         |
| 21 | S81004                      | x         |        | x         |        | x         | x         |
| 22 | N240-0037                   | x         |        | x         |        | x         | x         |
| 23 | N710-0095                   | x         |        | x         |        |           |           |
|    | N710-0116                   |           |        |           |        | x         | x         |
| 24 | N010-1030-SER               | x         |        |           |        |           |           |
|    | N010-1041-SER               |           | x      | x         |        |           |           |
|    | N010-0999-SER               |           |        |           | x      | x         |           |
|    | N010-1280-SER               |           |        |           |        |           | x         |
| 25 | N710-0107                   | x         |        |           |        |           |           |
|    | N710-0094                   |           | x      | x         |        |           |           |
|    | N710-0108                   |           |        |           | x      | x         |           |
|    | N710-0120                   |           |        |           |        |           | x         |
| 26 | N430-0002                   |           |        |           | x      | x         | x         |
| 27 | N080-0364                   | x         | x      | x         | x      | x         | x         |
| 28 | N080-0365                   | x         | x      | x         | x      | x         | x         |
| 29 | S87015                      | x         | x      | x         |        |           |           |
|    | N370-0928-SER               |           |        |           | x      | x         | x         |
| 30 | N160-0035                   | p         | p      | p         | p      | p         | p         |
| 31 | N160-0040-GY1SG             | p         |        |           |        |           |           |
|    | N160-0034-GY1SG             |           | p      | p         | p      | p         | p         |
| 32 | N475-0356-GY1SG             | x         | x      | x         | x      | x         | x         |
| 33 | N590-0254-SER               | x         | x      | x         |        |           |           |
|    | N590-0280-SER               | x         | x      | x         |        |           |           |
|    | N010-1231-SER               |           |        |           | x      | x         | x         |
|    | N010-1218-SER               |           |        |           | x      | x         | x         |
| 34 | N455-0085                   | p         |        | p         |        | p         | p         |
|    | N455-0084                   | n         |        | n         |        | n         | n         |
| 35 | N255-0064                   | x         |        | x         |        | x         | x         |
| 36 | N160-0044                   | x         |        | x         |        | x         | x         |
| 37 | N345-0020                   | x         |        | x         |        |           |           |
|    | N345-0025                   |           |        |           |        | x         | x         |
| 38 | Z255-0002-1                 | x         |        | x         |        | x         | x         |
| 39 | N105-0017                   | x         |        | x         |        | x         | x         |
| 40 | S85001                      | p         | p      | p         | p      | p         |           |
|    | S85002                      | n         | n      | n         | n      | n         | n         |
|    | N530-0057                   |           |        |           |        |           | p         |
| 41 | N255-0027                   | x         | x      | x         | x      | x         | x         |
| 42 | N080-0378-GY1SG             | x         | x      | x         | x      | x         | x         |
| 43 | N010-0960-SER               | x         |        |           |        |           |           |
|    | N010-0959-SER               | x         |        |           |        |           |           |
|    | N010-0869-SS-SER            |           | x      | x         |        |           |           |
|    | N010-0869-BK-SER            |           | x      | x         |        |           |           |

## Parts List / Liste des pieces / Lista de partes

|    | Part # / Partie # / Parte # | RXT365SIB | RXT425 | RXT425SIB | RXT525 | RXT525SIB | RXT625SIB |
|----|-----------------------------|-----------|--------|-----------|--------|-----------|-----------|
|    | N010-0984-SS-SER            |           |        |           | x      | x         |           |
|    | N010-0984-BK-SER            |           |        |           | x      | x         |           |
|    | N010-1221-SS-SER            |           |        |           |        |           | x         |
|    | N010-1221-BK-SER            |           |        |           |        |           | x         |
| 44 | N325-0094-SER               | x         | x      | x         | x      | x         | x         |
| 45 | N105-0011                   | x         | x      | x         | x      | x         | x         |
| 46 | N555-0097                   | x         | x      | x         | x      | x         | x         |
| 47 | N590-0277-GY1SG             | x         |        |           |        |           |           |
|    | N590-0256-GY1SG             |           | x      | x         |        |           |           |
|    | N590-0281-GY1SG             |           |        |           | x      | x         |           |
|    | N590-0323-GY1SG             |           |        |           |        |           | x         |
| 48 | N510-0015                   | x         | x      | x         | x      | x         | x         |
| 49 | S82001                      | x         | x      | x         | x      | x         | x         |
| 50 | N570-0118                   | x         | x      | x         | x      | x         | x         |
| 51 | N080-0387-GY1SG             |           |        |           | x      | x         | x         |
| 52 | N080-0380-GY1SG             | x         | x      | x         |        |           |           |
| 53 | N160-0033-GY1SG             | x         | x      | x         | x      | x         | x         |
| 54 | N710-0062                   | x         | x      | x         | x      | x         | x         |
| 55 | N475-0442-GY1SG             | x         |        |           |        |           |           |
|    | N475-0363-GY1SG             |           | x      | x         |        |           |           |
|    | N475-0449-GY1SG             |           |        |           | x      | x         |           |
|    | N475-0499-GY1SG             |           |        |           |        |           | x         |
| 56 | N080-0254G                  |           |        |           | p      | p         |           |
| 57 | N590-0327                   |           |        |           |        |           | x         |
| 58 | N750-0016                   | x         |        | x         |        | x         | x         |
| 59 | Z720-0003                   | x         |        |           |        |           |           |
|    | N720-0079                   |           |        | x         |        | x         | x         |
|    | 62050                       | x         | x      | x         | x      | x         | x         |

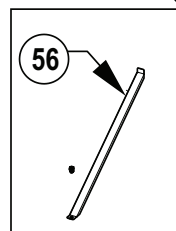
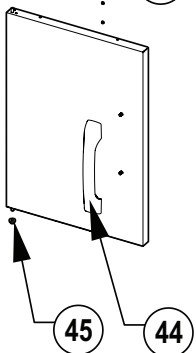
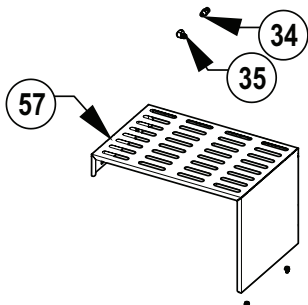
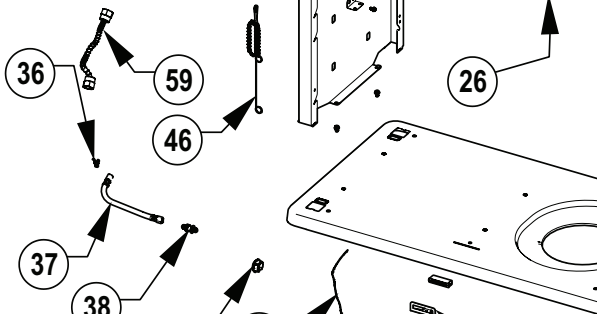
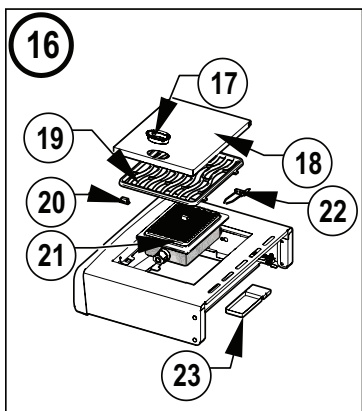
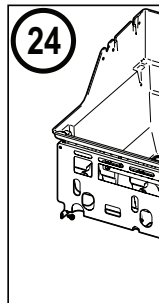
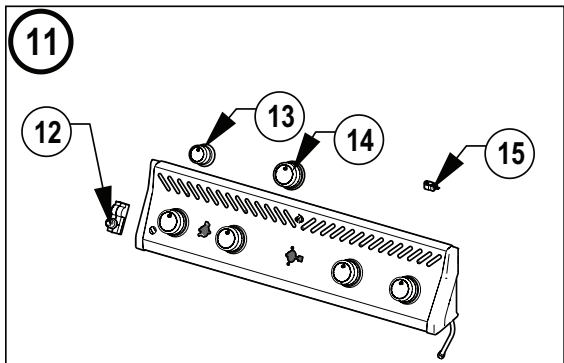
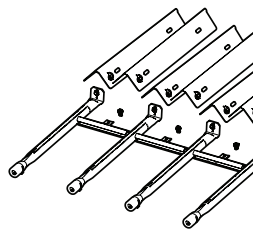
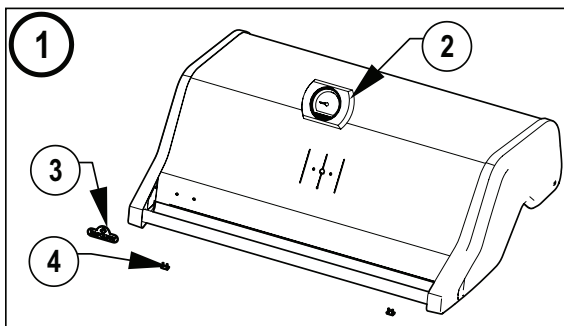
## Accessories Parts List / Liste des pièces accessoires / Lista de piezas de accesorios

|           | Description<br>La Description<br>Descripción   | RXT365SIB | RXT425 | RXT425SIB | RXT525 | RXT525SIB | RXT625SIB |
|-----------|--|-----------|--------|-----------|--------|-----------|-----------|
| N590-0261 | Condiment Basket / Panier à Condiments / Bandeja de Condimentos  | ac        | ac     | ac        | ac     | ac        | ac        |
| 67013     | Smoker Box / Smoker Box / Caja Para Ahumar   | ac        | ac     | ac        | ac     | ac        | ac        |
| 69911     | Rotisserie Kit / Ensemble de la Rôtissoire / Kit de Asador Eléctrico   | ac        | ac     | ac        | ac     | ac        | ac        |
| 61365     | Cover / Housse / Funda de la Parrilla  | ac        |        |           |        |           |           |
| 61427     | Cover / Housse / Funda de la Parrilla  |           | ac     | ac        |        |           |           |
| 61527     | Cover / Housse / Funda de la Parrilla  |           |        |           | ac     | ac        |           |
| 61627     | Cover / Housse / Funda de la Parrilla  |           |        |           |        |           | ac        |
| 56365     | Cast Iron Griddle / Plaque de Cuisson en Fonte / Plancha de hierro fundido   | ac        |        |           | ac     | ac        |           |
| 56425     | Cast Iron Griddle / Plaque de Cuisson en Fonte / Plancha de hierro fundido   |           | ac     | ac        | ac     | ac        | ac        |
| 67732     | Smoker Tray / Support à Charbon / Bandeja Para Carbón  | ac        | ac     | ac        | ac     | ac        | ac        |
| 62007     | Grease Trays Foil (5 pieces) / Ensemble de 5 Réipients à Graisse Foil / Bandejas Desechables Para Grasa (5 piezas) | ac        | ac     | ac        | ac     | ac        | ac        |
| S82002    | Caster Kit / Kit de Roulettes / Kit de Ruedas  | ac        | ac     | ac        | ac     | ac        | ac        |

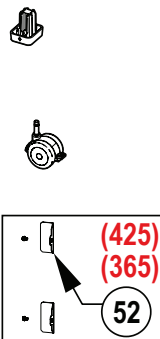
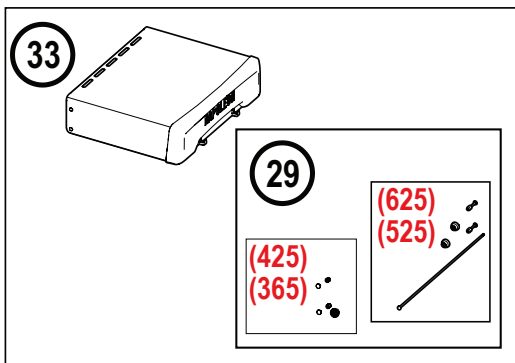
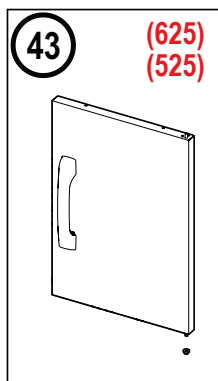
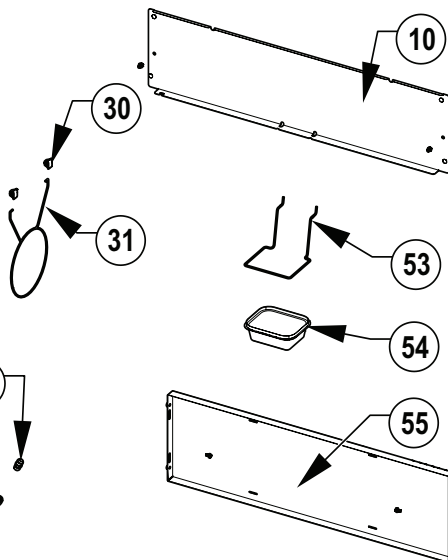
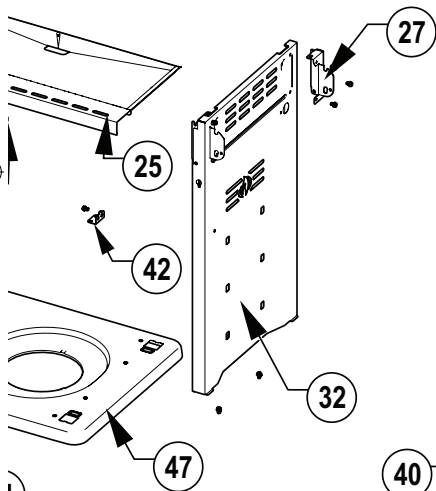
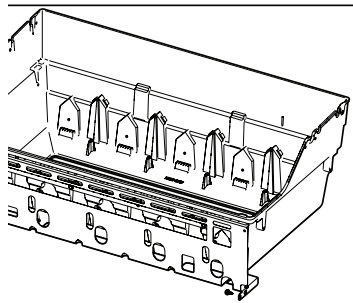
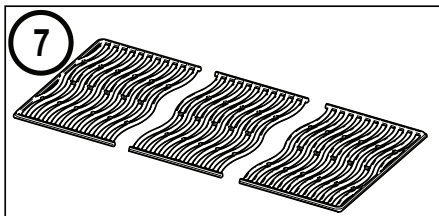
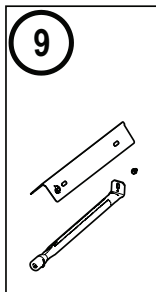
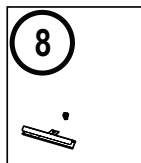
x- standard part  
p- propane  
n- natural  
ac- accessory

x- standard  
p- propane  
n- gas naturel  
ac- accessoire

x- standard  
p- propano  
n- gas natural  
ac- accesorio

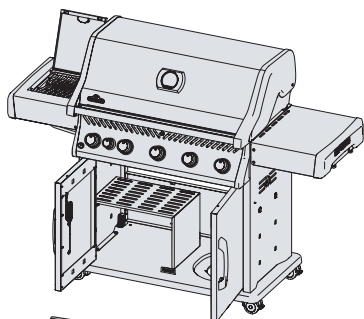




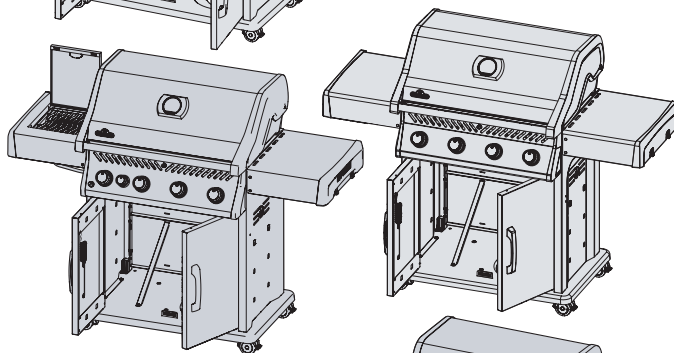




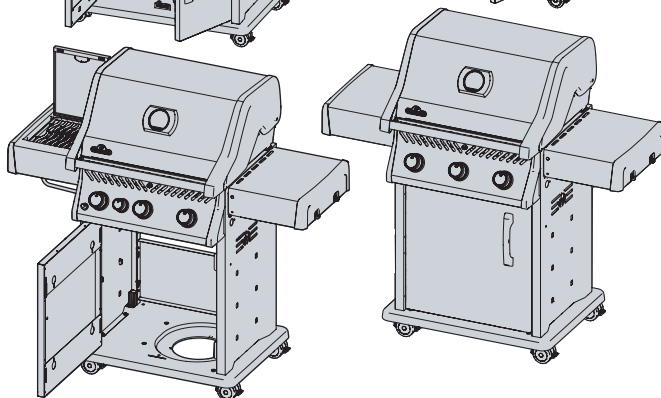
RXT625SIB-1



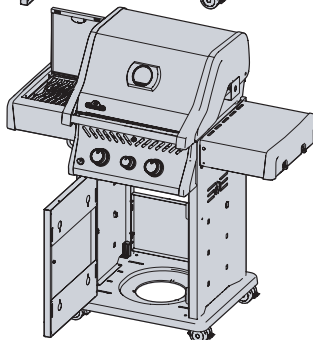
RXT525SIB-1  
RXT525-1



RXT425SIB-1  
RXT425-1



RXT365SIB-1



Napoleon products are protected by one or more U.S. and Canadian and/or foreign patents or patents pending.

Les produits de Napoleon sont protégés par un ou plusieurs brevets américains, canadiens et (ou) étrangers au par des brevets en instance.

Los productos Napoleon están protegidos por una o más patentes o patentes pendientes en E.U., Canadá y/o otros países.



1-866-820-8686



grills@napoleon.com



www.napoleon.com



WOLF STEEL Ltd.  
24 Napoleon Road, Barrie  
Ontario, Canada. L4M 0G8

