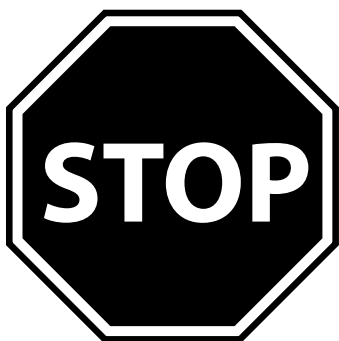


Rhodes and Lakeside Sofa

TEAK / AL-TEAK / ROPE TEAK

INSTALLATION GUIDE



ATTENTION: Is your Sofa damaged?

Need help or spare parts? For fastest service,
contact NewAge Products at 1-877-306-8930;
or support@newageproducts.com.
Do not return to the retailer.

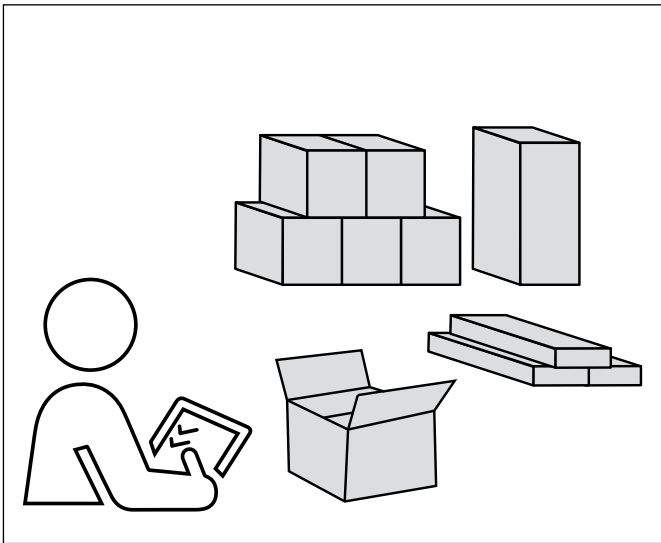
Index

Unpacking	3
Product Inspection	3
Tools Needed	3
Rhodes Sofa Collection	4
Lakeside Sofa Collection	4
Hardware Included	4
Components for SKU Packages	5
Layout Examples	7
Single Seater Assembly	8
Multi Seater Assembly	15
Spare Parts - Single Seater	19
Spare Parts - Multi Seater	21
Cleaning and Care	23
NEWAGE PRODUCTS INC. OUTDOOR FURNITURE MANUFACTURER WARRANTY	24

Unpacking

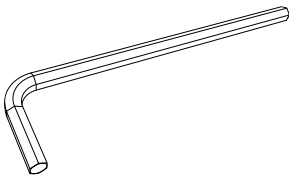
- Begin by placing the package on a covered flat surface.
- Remove all cardboard, foam packaging material and nylon bags.
- Dispose / recycle all packaging materials.
- Verify all the contents in the box and gather the required tools. See “Tools Needed” in the list below.

Product Inspection



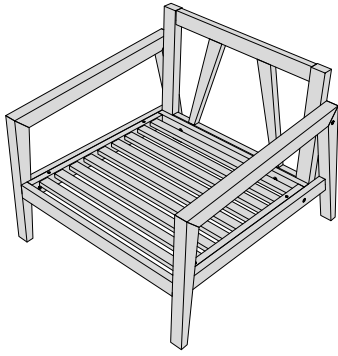
- Check to see all parts are received as per the order placed.
- Contact NewAge Products at 1-877-306-8930; for any missing parts.
- Inspect the products for any damages before starting the installation.
- Go through the installation instructions carefully before starting the installation.

Tools Needed



Allen key
(4mm and 5mm)

Rhodes Sofa Collection

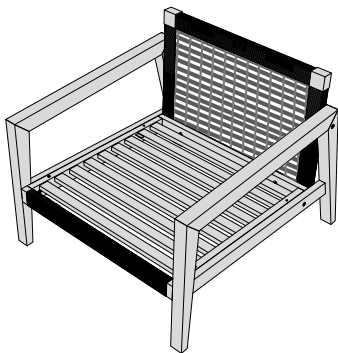


Teak Sofa



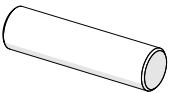
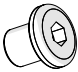


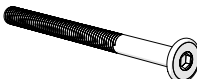
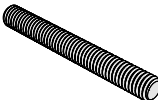

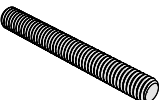
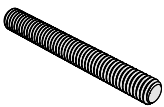
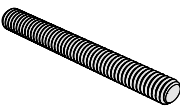




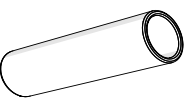
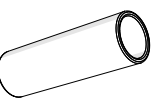
Aluminium-Teak Sofa

Lakeside Sofa Collection



Rope-Teak Sofa

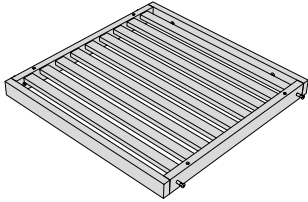
Hardware Included

Seat Base and Backrest				Legs		Shared Leg
						
<p>Dowell Pin 38mm</p>	<p>Nut M6X10</p>	<p>Plastic Cap 8mm</p>	<p>Washer M10/M8 (Aluminium-Teak Sofa)</p>	<p>Bolt M8X80</p>	<p>Threaded Rod M6X50</p>	<p>Bolt M6X80</p>
						
<p>Threaded Rod M6X50</p>	<p>Threaded Rod M6X37 (Aluminium-Teak Sofa)</p>	<p>Threaded Rod M6X68 (Rope-Teak Sofa)</p>	<p>Nut M6X10</p>	<p>Washer M10 (Aluminium-Teak Sofa)</p>		
						
<p>Sleeve 35mm</p>	<p>Sleeve 30mm</p>	<p>Sleeve 47mm (Rope-Teak Sofa)</p>	<p>Sleeve 30mm</p>			

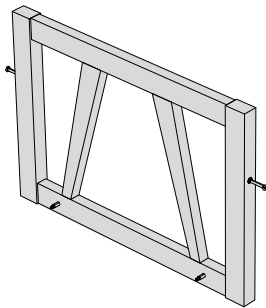
Components for SKU Packages

Seatbase and Backrest Pack

Teak



Seatbase



Backrest

Item No.	Description	Quantity
1	Seatbase (Teak)	1
2	Backrest (Teak)	1
3	M6x10 Nut	12
4	M6x50 Threaded Rod	6
5	Dowel Pin (38mm)	1
6	Sleeve (30mm)	4
7	Sleeve (35mm)	2
8	Plastic Cap (8mm)	4
9	Bolt M8X80	2
10	Bolt M6X80	4

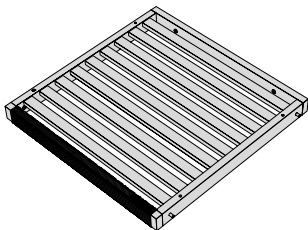
Aluminium

Item No.	Description	Quantity
1	Seatbase (Aluminium)	1
2	Backrest (Aluminium)	1
3	M6x50 Threaded Rod	6
4	M6x37 Threaded Rod	2
5	M6x10 Nut	12
6	M10 Washer	12
7	M8 Washer	2
8	Dowel Pin (38mm)	1
9	Plastic Cap (8mm)	4
10	Sleeve (35mm)	2
11	Sleeve (30mm)	4
12	Bolt M8X80	2
13	Bolt M6X80	4

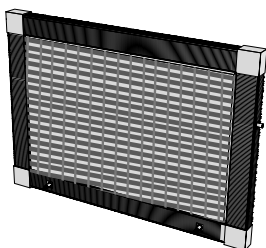
* The backrest and seatbase come as a Combined Pack

Seatbase and Backrest Pack

Rope-Teak



Seatbase



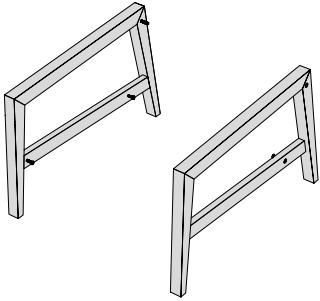
Backrest

Item No.	Description	Quantity
1	Seatbase (Teak)	1
2	Backrest (Rope-Teak)	1
3	M6x10 Nut	12
4	M6x50 Threaded Rod	4
5	M6x68 Threaded Rod	2
6	Dowel Pin (38mm)	1
7	Sleeve (30mm)	4
8	Sleeve (47mm)	2
9	Plastic Cap (8mm)	4
10	Bolt M8X80	2
11	Bolt M6X80	4

* The backrest and seatbase come as a Combined Pack

Components for SKU Packages

Leg Pack



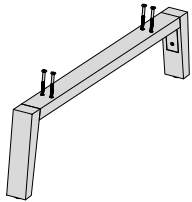
Teak

Item No.	Description	Quantity
1	Left Leg	1
2	Right Leg	1

Aluminium-Teak

Item No.	Description	Quantity
1	Left Leg	1
2	Right Leg	1

Shared Leg Pack



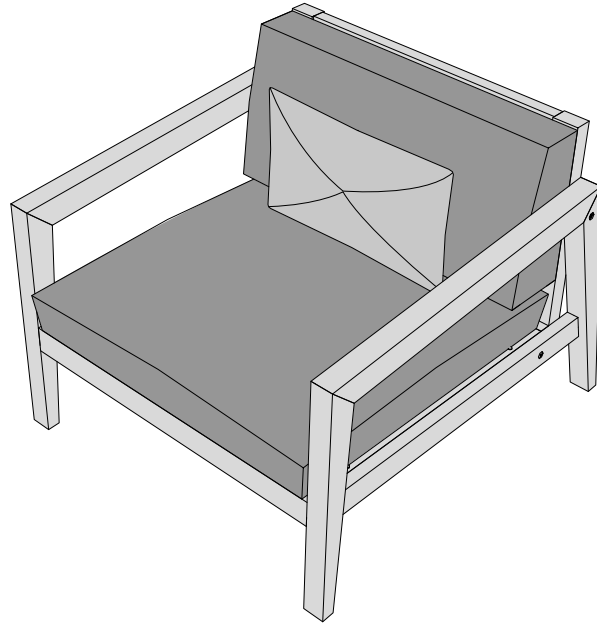
Teak

Item No.	Description	Quantity
1	Shared Leg	1

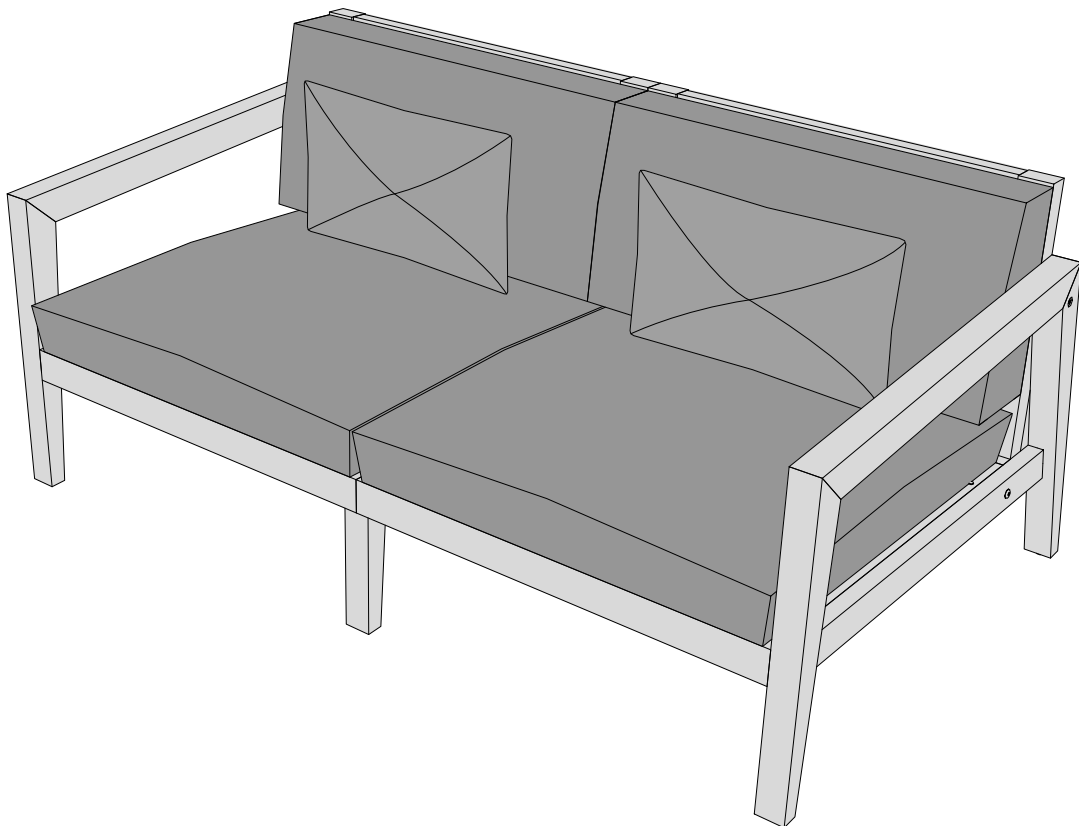
Aluminium

Item No.	Description	Quantity
1	Shared Leg	1

Layout Examples



Single Seater

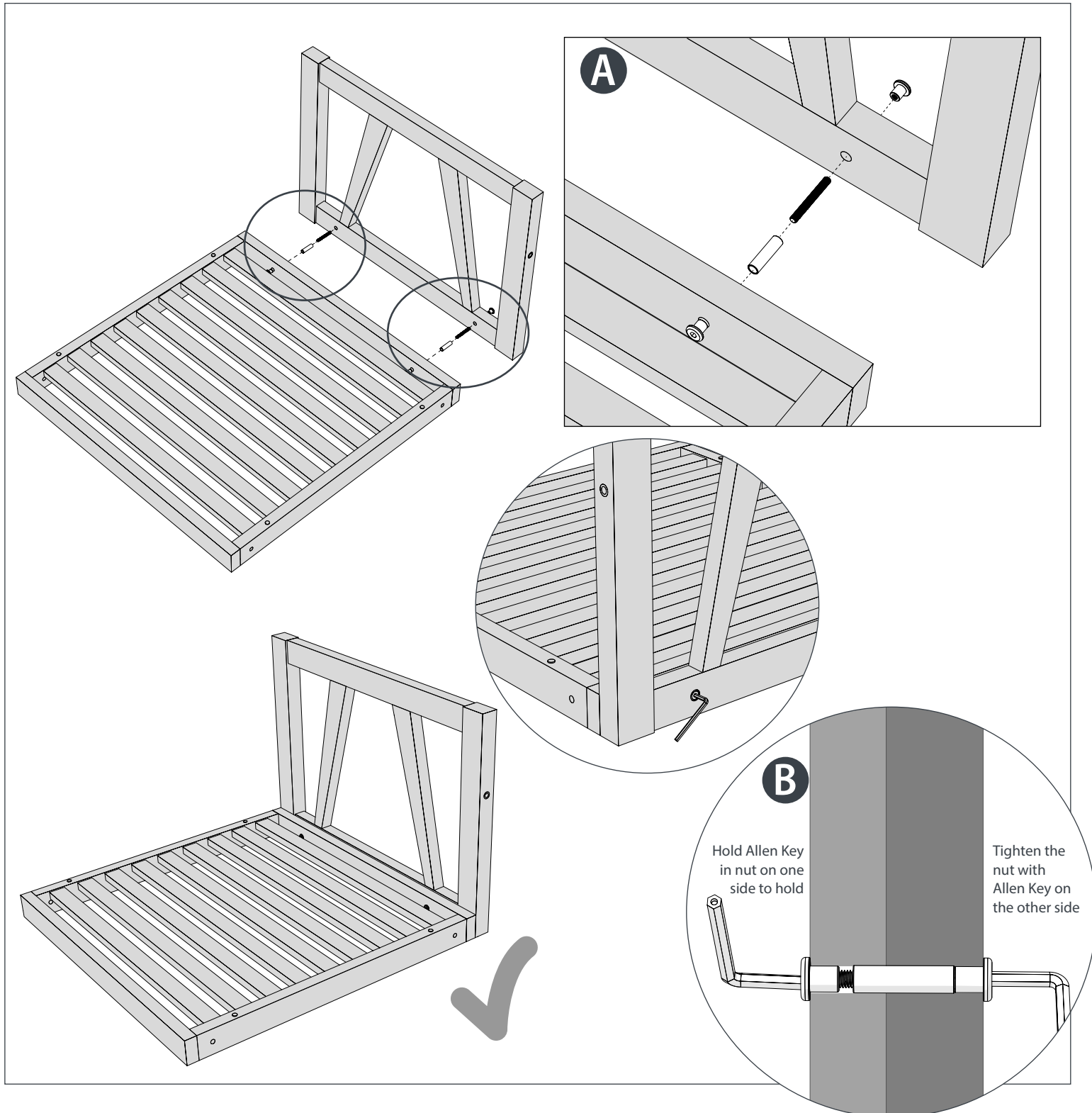


Multi Seater Linear Layout

Single Seater Assembly

Teak Sofa

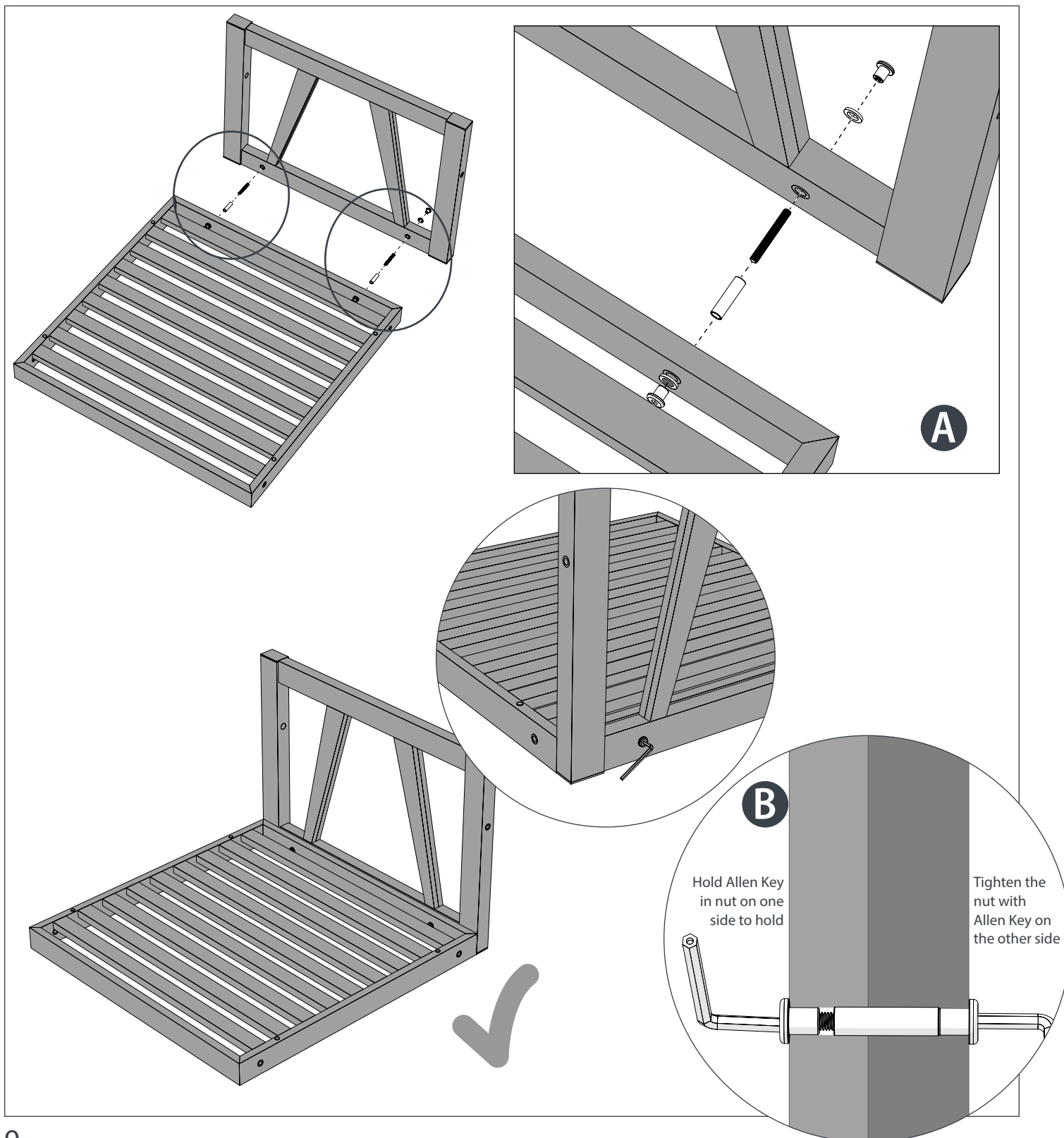
- 1 Attach the Back rest to the seat base by inserting a 35mm sleeve between the backrest and seat base. Now insert the two M6X50 threaded rods and M6X10 nuts on both sides as shown (A) to secure the assembly. Use two allen keys to tighten the assembly(B).



Single Seater Assembly

Aluminium Teak Sofa

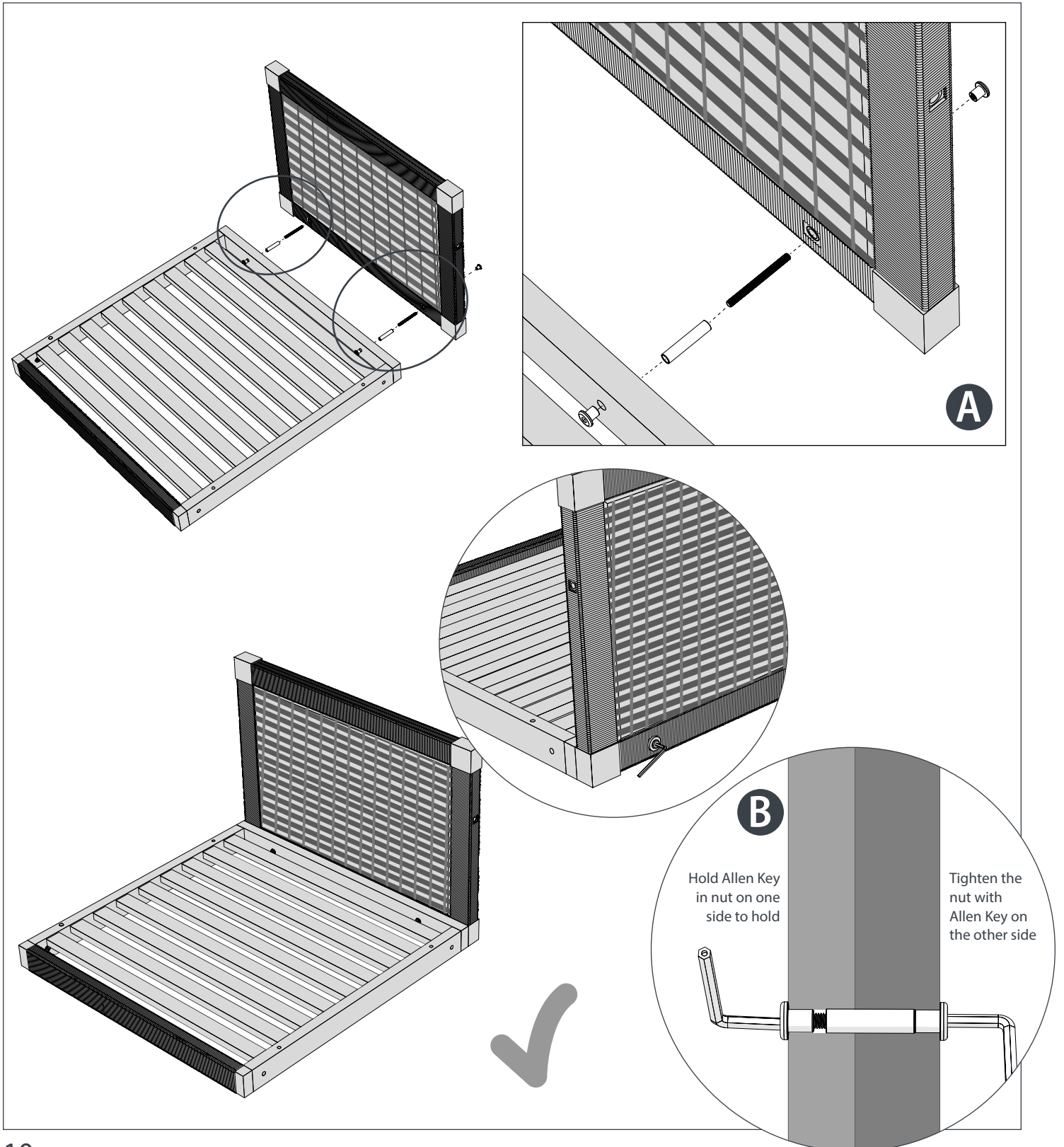
- 1** For the Aluminium Teak Sofa, attach the Back rest to the seat base by inserting a 35mm sleeve between the backrest and seat base. Now insert the two M6X50 threaded rods and M6X10 nuts with M10 washers on both sides as shown(A) to secure the assembly. Use two allen keys to tighten the assembly(B)



Single Seater Assembly

Rope-Teak Sofa

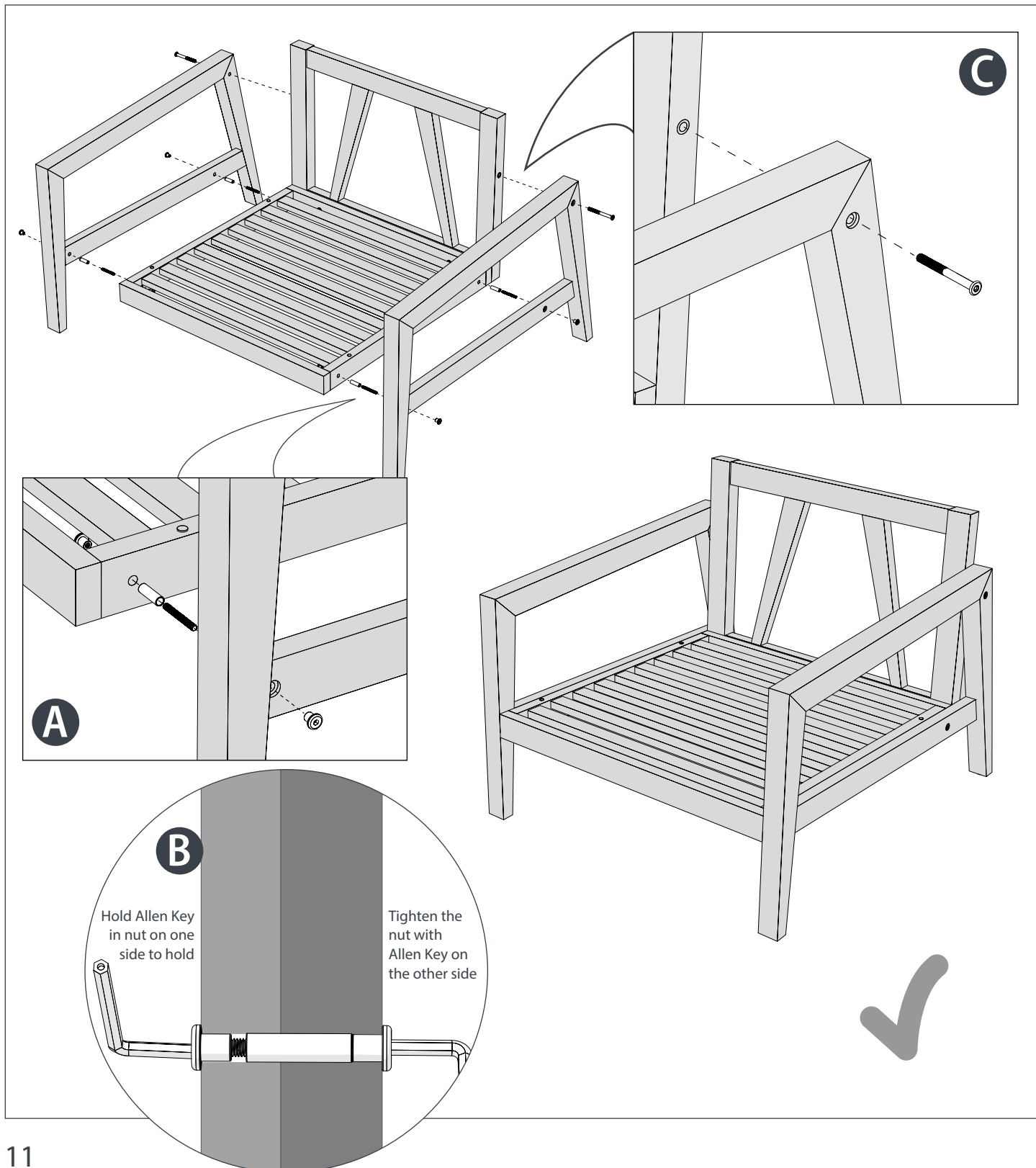
- 1 Attach the backrest to the seatbase by inserting a 47mm sleeve between the backrest and seatbase. Now insert the two M6X68 threaded rods and M6X10 nuts on both sides as shown (A) to secure the assembly. Use two allen keys to tighten the assembly(B).



Single Seater Assembly

Teak Sofa

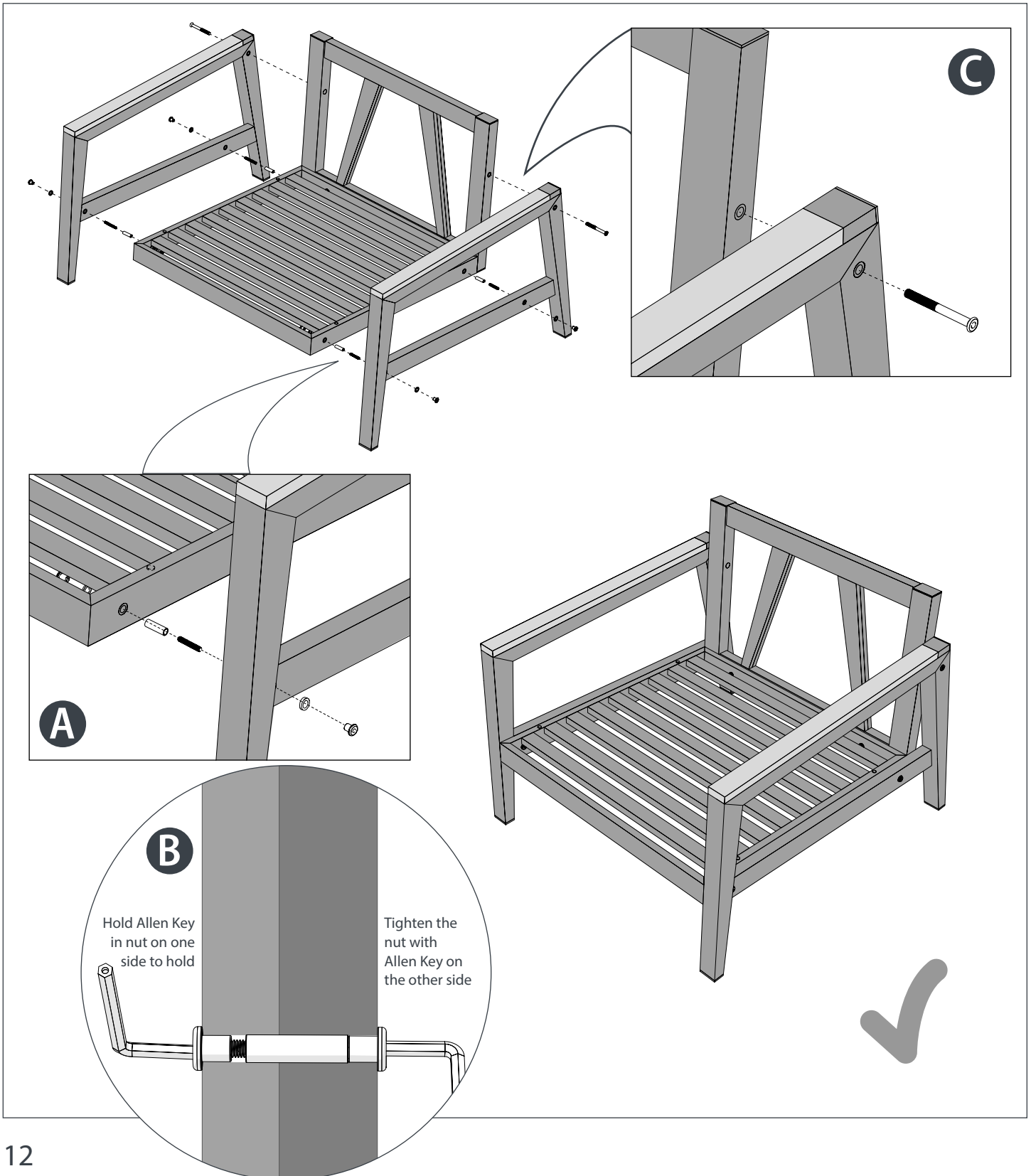
- 2** Attach the seatbase and backrest assembly with the leg by inserting two 30mm sleeves with two M6X50 threaded rods and M6X10 nuts at the bottom of both the sides(A). Tighten the assembly with two allen keys on each side(B). Now tighten the M8X80 bolt at the top on both legs (C)



Single Seater Assembly

Aluminium-Teak Sofa

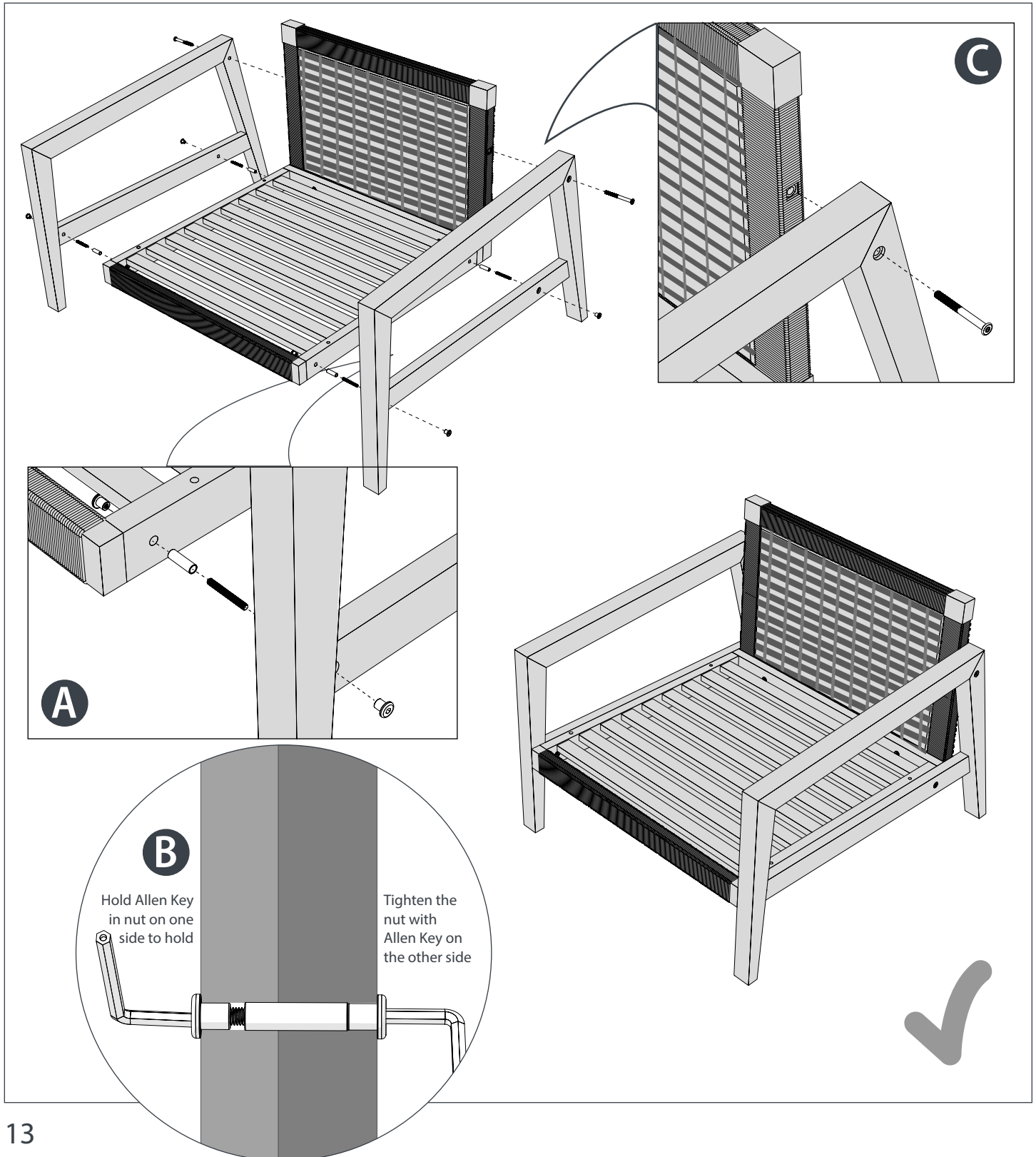
- 2** Attach the seatbase and backrest assembly with the leg by inserting two 30mm sleeves with two M6X50 threaded rods and M6X10 nuts with M10 washers at the bottom of both the sides(A). Tighten the assembly with two allen keys on each side(B). Now tighten the M8X80 bolt at the top on both legs (C)



Single Seater Assembly

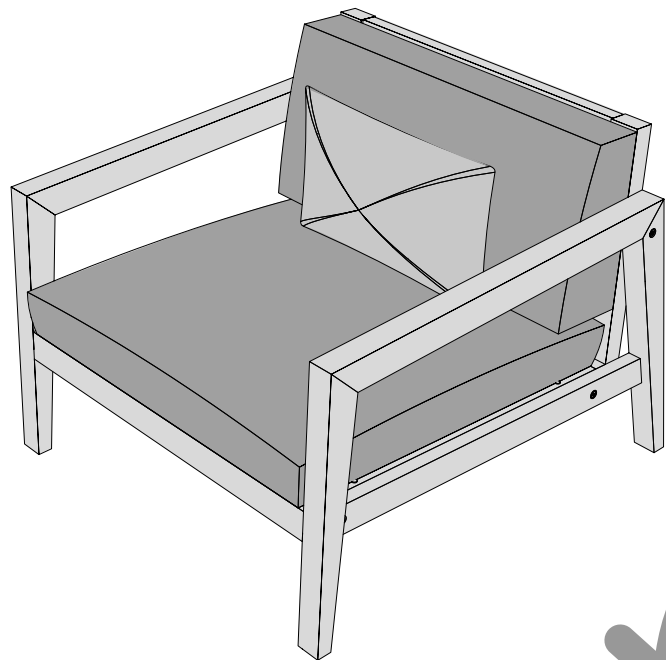
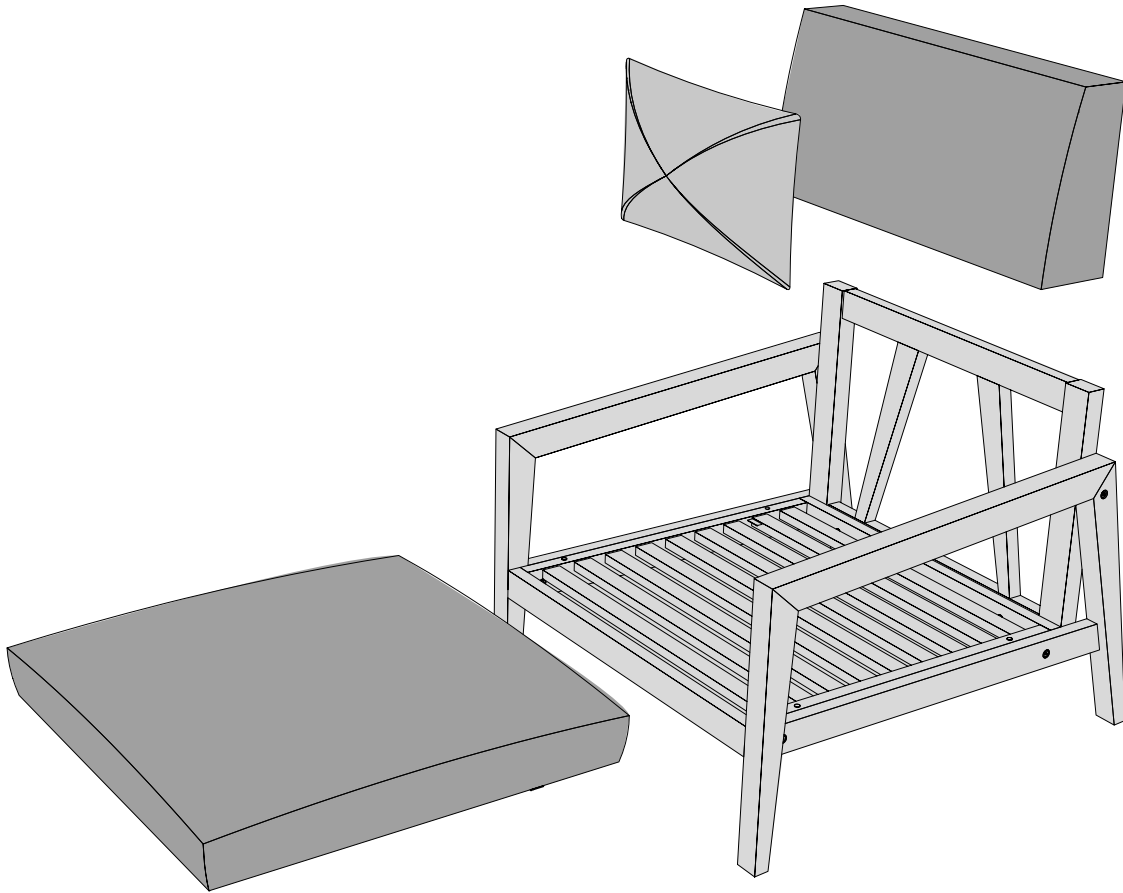
Rope-Teak Sofa

- 2** Attach the seatbase and backrest assembly with the leg by inserting two 30mm sleeves with two M6X50 threaded rods and M6X10 nuts at the bottom of both the sides(A). Tighten the assembly with two allen keys on each side(B). Now tighten the M8X80 bolt at the top on both legs (C)



Single Seater Assembly

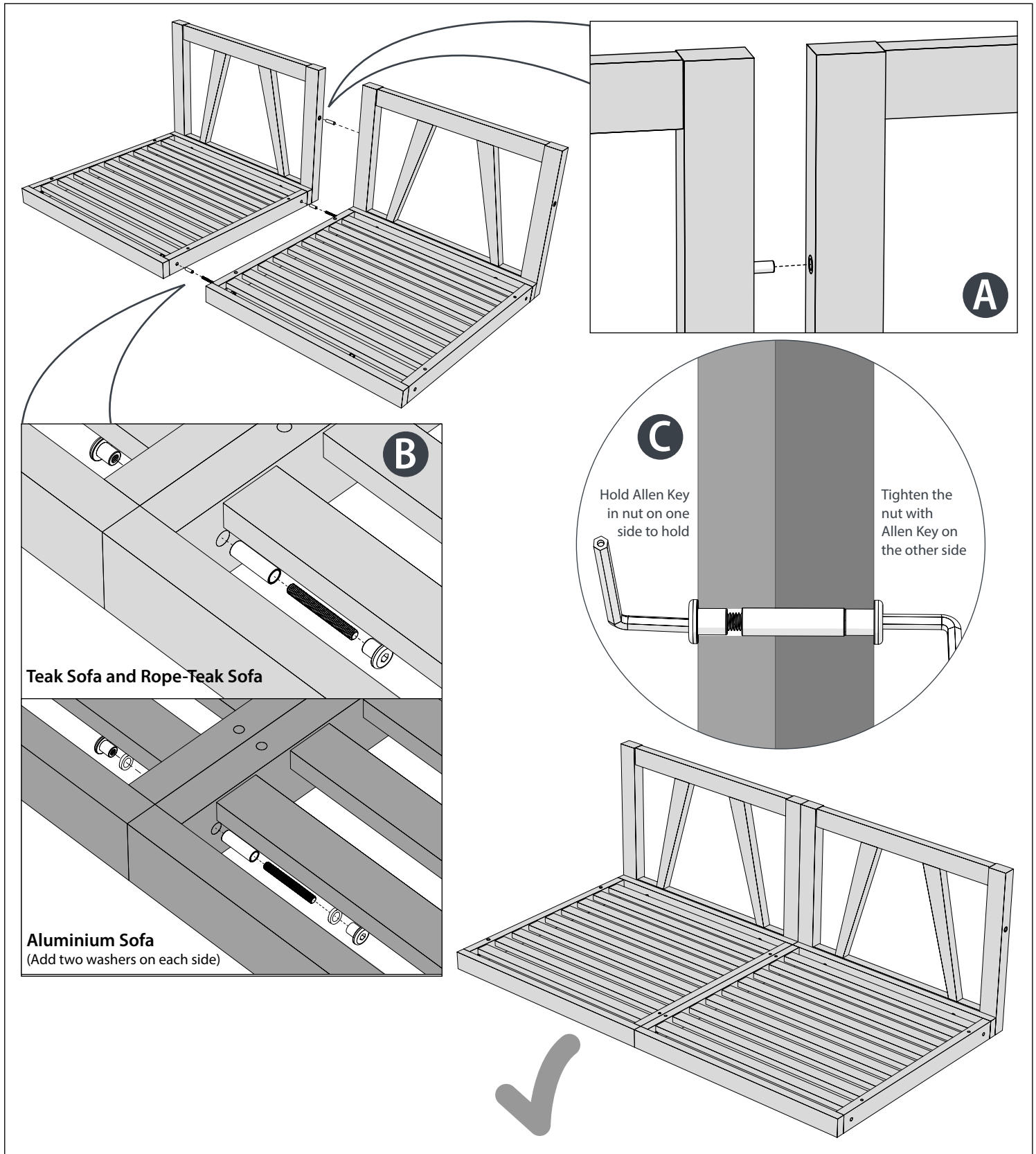
3 Place seat cushion, back cushion and throw pillow(Optional) on the sofa assembly.



Item No.	Description	Quantity Required
1	SeatBase Assembly	1
2	Backrest Assembly	1
3	Leg Assembly	1x Pack of 2
3	Seat Cushion	1
4	Back Cushion	1
5	Accent Cushion (Optional)	1

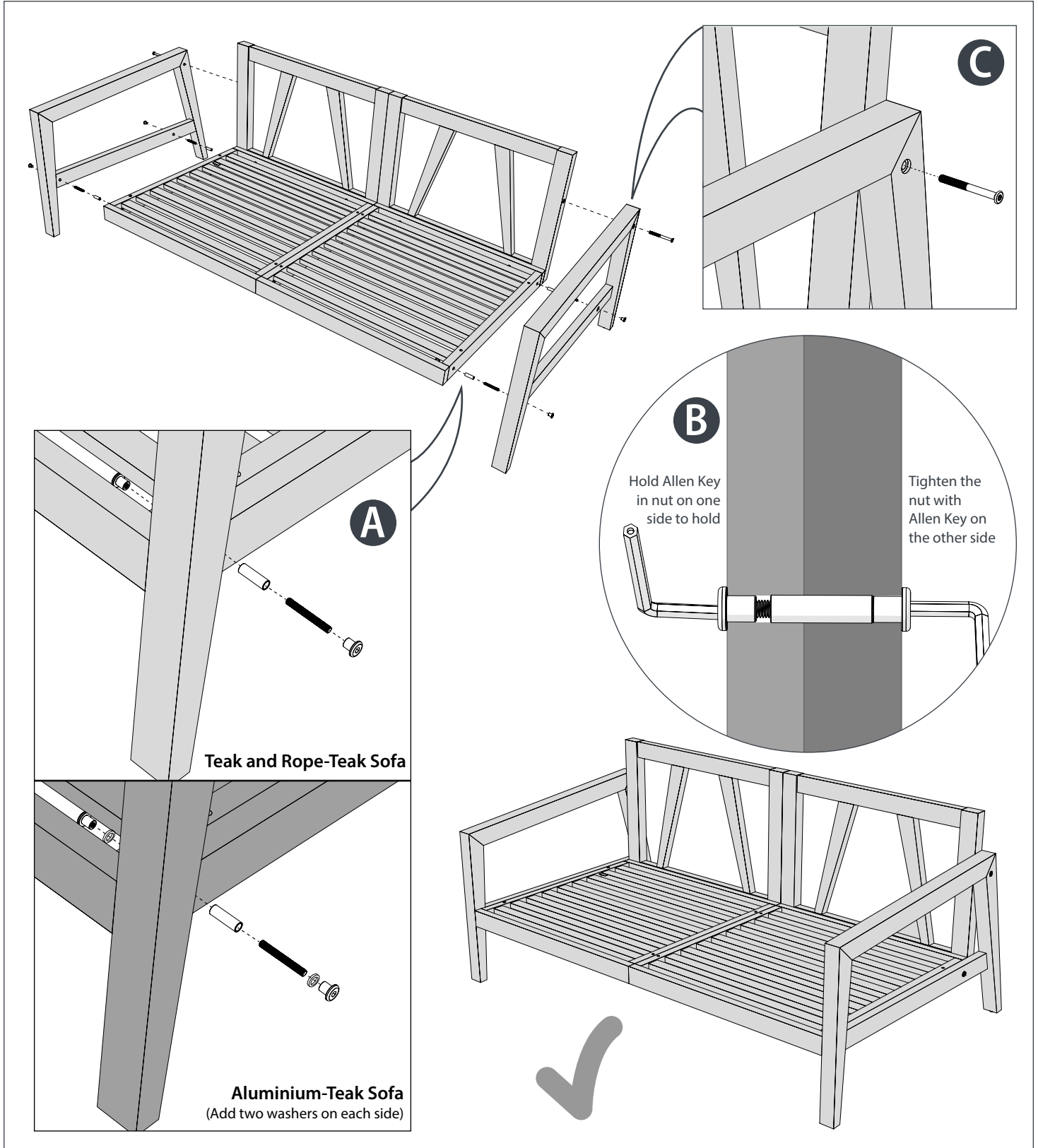
Multi Seater Assembly

1 Join two seatbase and backrest assemblies together first by inserting the 38mm dowel pin between the backrests shown (A). Now insert two 30mm sleeves with two M6X50 threaded rods (M6X37 Threaded Rod for Aluminium-Teak Sofa) and M6X10 nuts at the bottom of the seatbases (B). Tighten the assembly with two allen keys on each side (C).



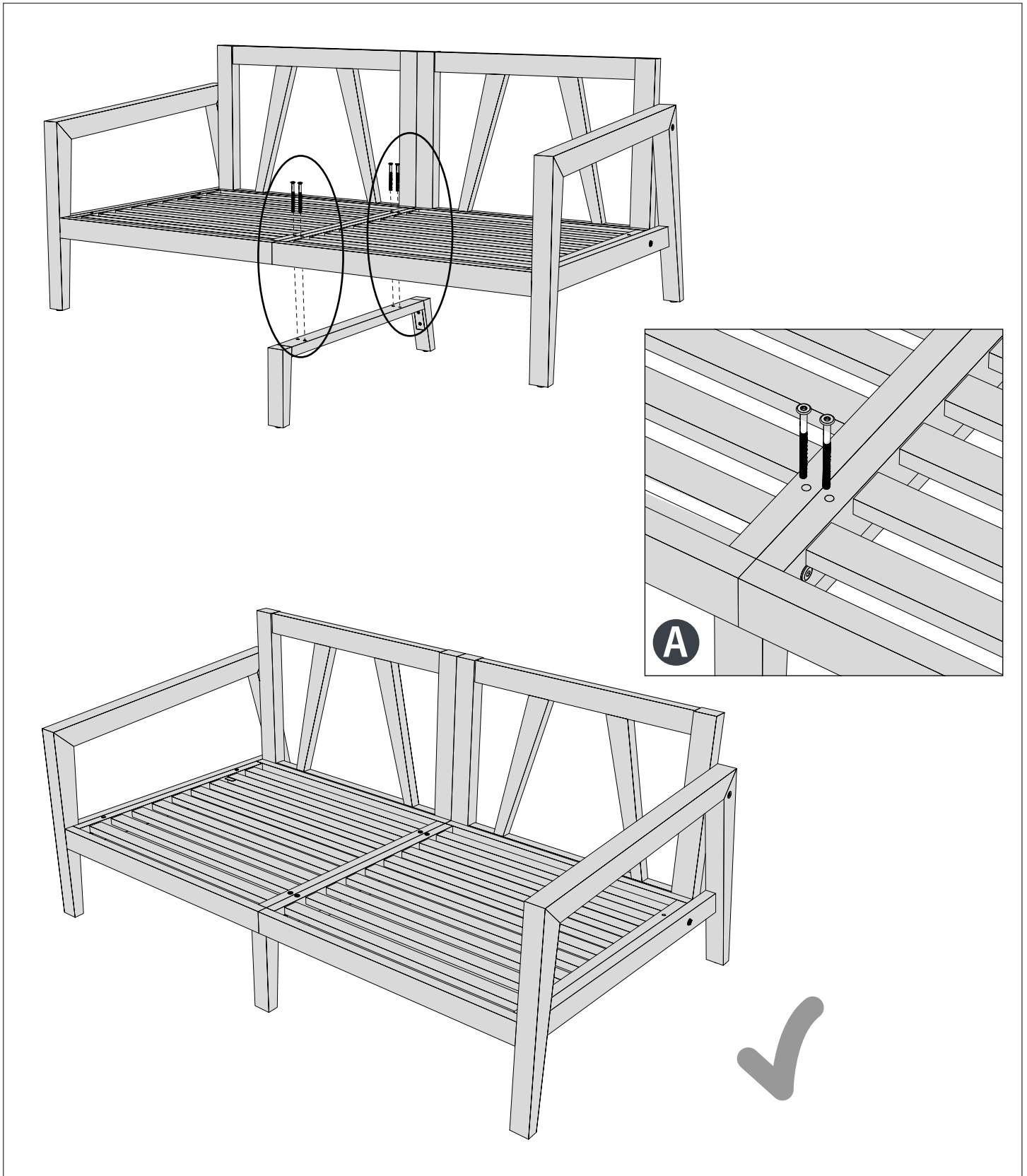
Multi Seater Assembly

- 2** Now attach the seatbase and backrest assemblies with the legs by inserting two 30mm sleeves with two M6X50 threaded rods and M6X10 nuts at the bottom of both the sides(A). Tighten the assembly with two allen keys on each side(B). Now tighten the M8X80 bolt at the top on both legs (C)



Multi Seater Assembly

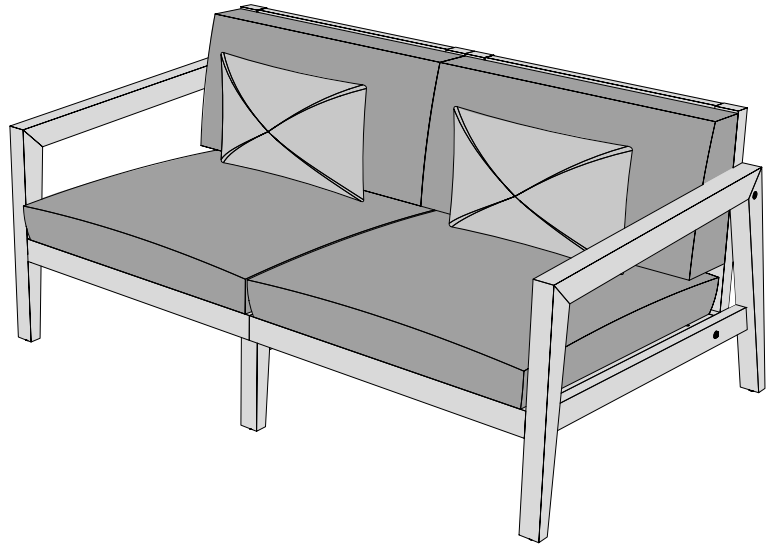
- 3** Attach the shared leg by fixing four M6X80 bolts as shown(A) to support the assembly.



Multi Seater Assembly

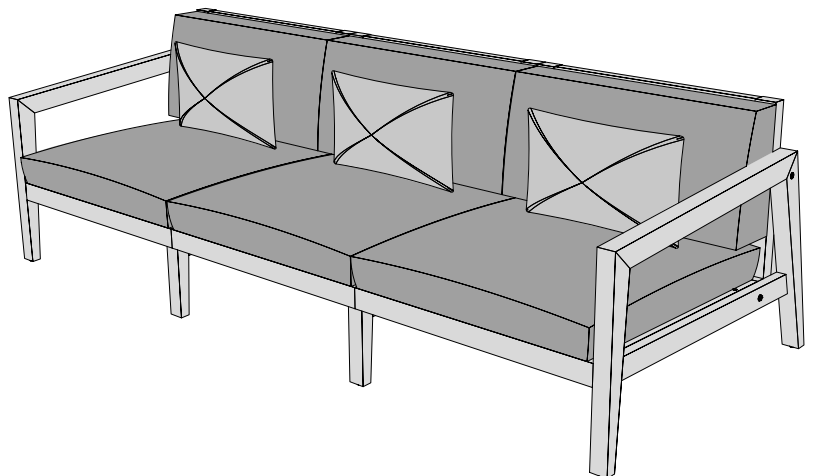
- 4** Place the seat cushions, back cushions and throw pillows(Optional) on the sofa assembly.

Item No.	Description	Quantity Required
1	Seatbase	2
2	Backrest	2
3	Leg	1x Pack of 2
4	Shared Leg	1
5	Seat Cushion	2
6	Back Cushion	2
7	Accent Cushion (Optional)	2

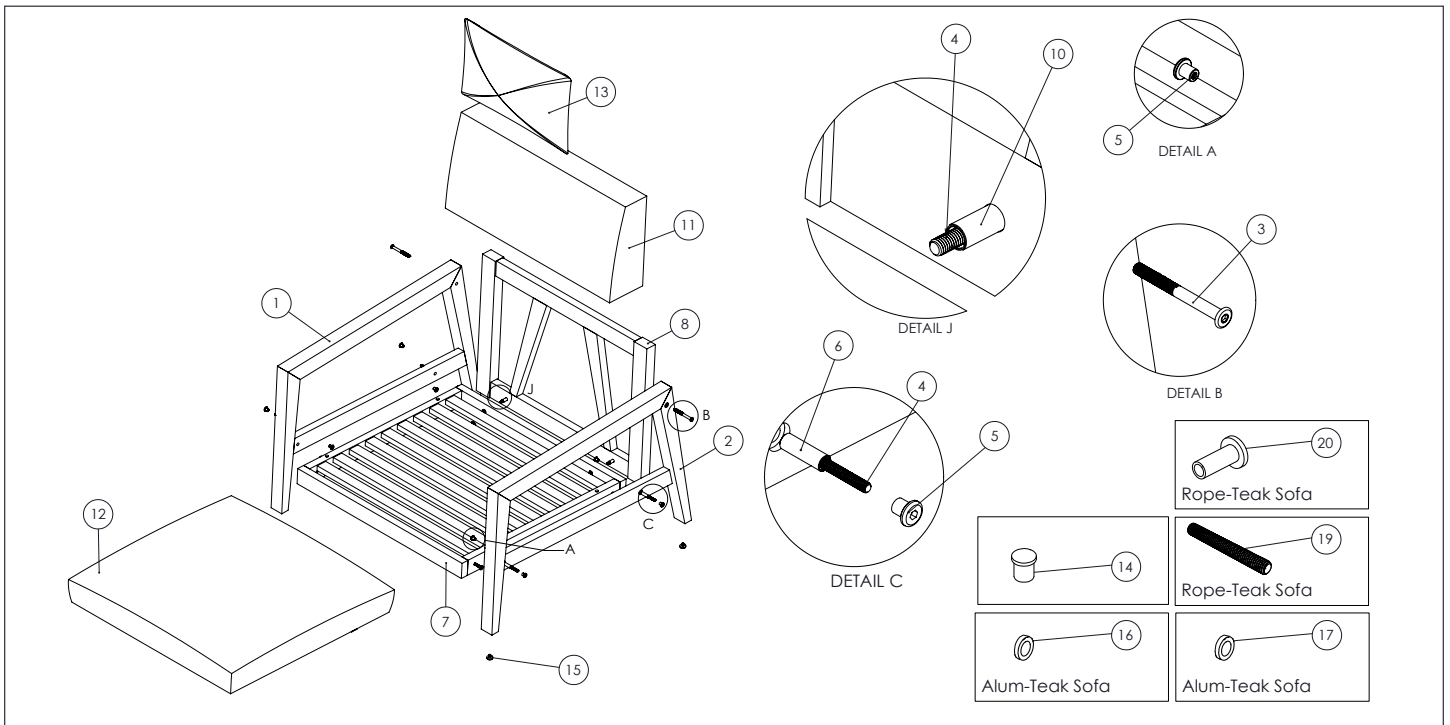


- i NOTE :** By adding another seat assembly and back rest with leg assembly and shared leg, a three seater can be installed and follow the same process for multiple seat sofas.

Item No.	Description	Quantity Required
1	Seatbase	3
2	Backrest	3
3	Leg	1x Pack of 2
4	Shared Leg	2
5	Seat Cushion	3
6	Back Cushion	3
7	Accent Cushion (Optional)	3



Spare Parts - Single Seater



Rhodes - Teak Sofa

Item No.	Part No.	Spare Part SKU #	Description	BOM QTY
1	ODF-30.001A-01-XX	NA	Outdoor Furniture Rhodes Patio Chair Teak Leg LH Assy	1
2	ODF-30.002A-01-XX	NA	Outdoor Furniture Rhodes Patio Chair Teak Leg RH Assy	1
3	H00288A-01	91950	JCBC M8X80 (Bolt)	2
4	H00331A-01	91953	Threaded Rod M6x50 mm	6
5	H00289A-01	91973	JCN M6X10 (Nut)	12
6	H00651A-01	91909	SS Sleeve 30mm	4
7	ODF-30.003A-01-XX	NA	Outdoor Furniture Rhodes Patio Chair Teak Seat Assy	1
8	ODF-30.004A-01-XX	NA	Outdoor Furniture Rhodes Patio Chair Teak Backrest Assy	1
9	ODF-21.006A-01	91985	SS Dowel Pin 38mm	1
10	H00650A-01	91908	SS Sleeve 35mm	2
11	ODF-49A-01-XX	NA	Outdoor Furniture Patio Chair Back Cushion	1
12	ODF-52A-01-XX	NA	Outdoor Furniture Patio Chair Seat Cushion	1
13	ODF-58A-01-XX	NA	Outdoor Furniture Patio Chair Accent Cushion	1
14	H00381A-01	91981	Plastic Cap Dia. 8mm	4
15	H00284A-01	91959	Adjuster Shoe M6X10	4
18	H00652A-01	91911	JCBC M6X80(Bolt)	4

Spare Parts - Single Seater

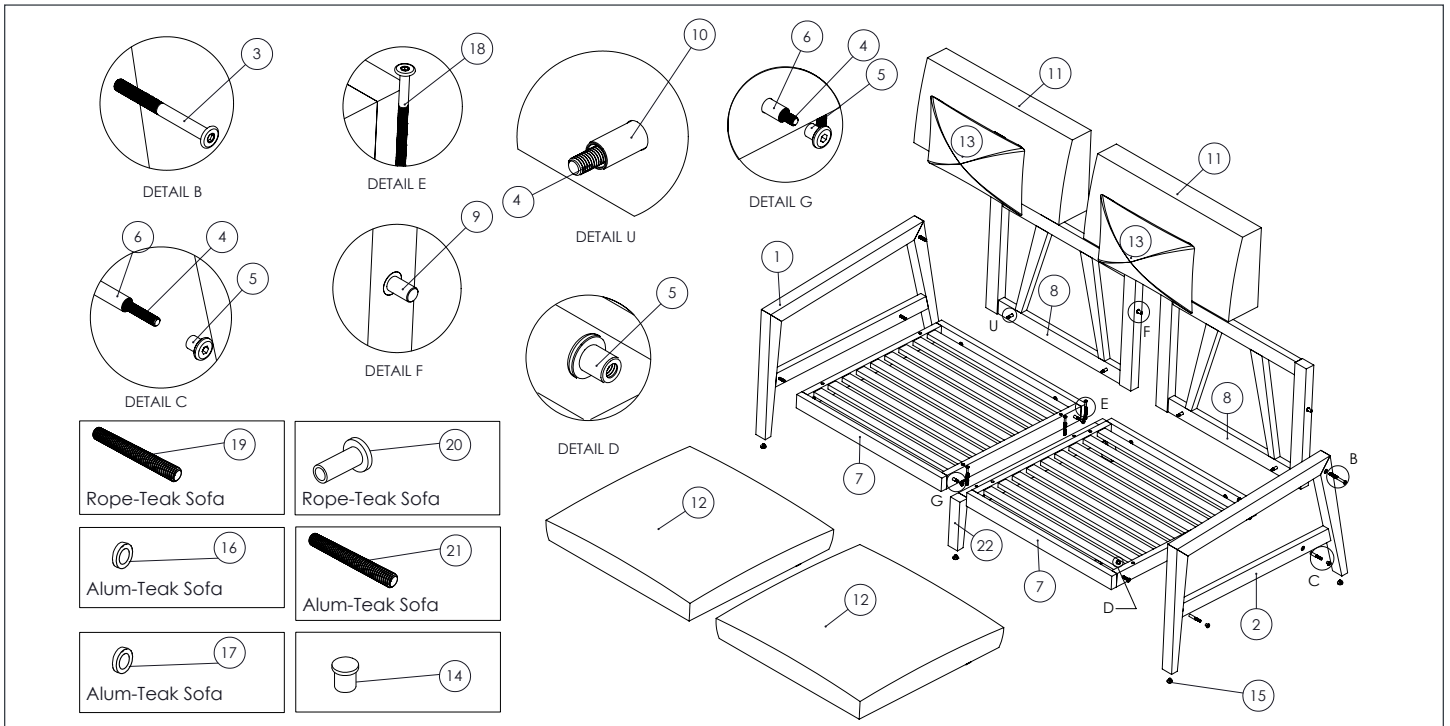
Rhodes - Aluminium-Teak Sofa

Item No.	Part No.	Spare Part SKU #	Description	BOM QTY
1	ODF-21.001A-01-XX	NA	Outdoor Furniture Rhodes Patio Chair Alum-Teak Leg LH Assy	1
2	ODF-21.002A-01-XX	NA	Outdoor Furniture Rhodes Patio Chair Alum-Teak Leg RH Assy	1
3	H00288A-01	91950	JCBC M8X80(Bolt)	2
4	H00331A-01	91953	Threaded Rod M6x50 mm	6
5	H00289A-01	91973	JCN M6X10(Nut)	12
6	H00651A-01	91909	SS Sleeve 30mm	4
7	ODF-21.003A-01	NA	Outdoor Furniture Rhodes Patio Chair Alum-Teak Seat Assy	1
8	ODF-21.004A-01	NA	Outdoor Furniture Rhodes Patio Chair Alum-Teak Backrest Assy	1
9	ODF-21.006A-01	91985	SS Dowel Pin 38mm	1
10	H00650A-01	91908	SS Sleeve 35mm	2
11	ODF-49A-01-XX	NA	Outdoor Furniture Patio Chair Back Cushion	1
12	ODF-52A-01-XX	NA	Outdoor Furniture Patio Chair Seat Cushion	1
13	ODF-58A-01-XX	NA	Outdoor Furniture Patio Chair Accent Cushion	1
14	ODF-01.005A-01	91980	Plastic Cap Dia. 8mm - Black	4
15	H00284A-01	91959	Adjuster Shoe M6X10	4
16	H00453A-01	91968	Ring ID10 X OD16 X 2mm (Washer)	12
17	H00336A-01	91967	Ring ID8 X OD16 X 2mm (Washer)	2
18	H00652A-01	91911	JCBC M6X80(Bolt)	4
21	H00455A-01	91952	Threaded Rod M6x37 mm	2

Lakeside - Rope-Teak Sofa

Item No.	Part No.	Spare Part SKU #	Description	BOM QTY
1	ODF-30.001A-01-XX	NA	Outdoor Furniture Rhodes Patio Chair Teak Leg LH Assy	1
2	ODF-30.002A-01-XX	NA	Outdoor Furniture Rhodes Patio Chair Teak Leg RH Assy	1
3	H00288A-01	91950	JCBC M8X80(Bolt)	2
4	H00331A-01	91953	Threaded Rod M6x50 mm	4
5	H00289A-01	91973	JCN M6X10(Nut)	12
6	H00651A-01	91909	SS Sleeve 30mm	4
7	ODF-31.001A-01-XX	NA	Outdoor Furniture Lakeside Patio Chair Teak-Flat Rope Seat Assy	1
8	ODF-31.002A-01-XX	NA	Outdoor Furniture Lakeside Patio Chair Teak-Flat Rope Backrest Assy	1
9	ODF-21.006A-01	91985	SS Dowel Pin 38mm	1
10	H00653A-01	91910	SS Sleeve 47mm	2
11	ODF-49A-01-XX	NA	Outdoor Furniture Patio Chair Back Cushion	1
12	ODF-52A-01-XX	NA	Outdoor Furniture Patio Chair Seat Cushion	1
13	ODF-58A-01-XX	NA	Outdoor Furniture Patio Chair Accent Cushion	1
14	H00381A-01	91981	Plastic Cap Dia. 8mm	4
15	H00284A-01	91959	Adjuster Shoe M6X10	4
18	H00652A-01	91911	JCBC M6X80(Bolt)	4
19	H00506A-01	91954	Threaded Rod M6x68 mm	2
20	ODF-31.003A-01	91987	Outdoor Furniture Lakeside Patio Chair Teak-Flat Rope Bush	2

Spare Parts - Multi Seater



Rhodes - Teak Sofa

Item No.	Part No.	Spare Part SKU #	Description	BOM QTY
1	ODF-30.001A-01-XX	NA	Outdoor Furniture Rhodes Patio Chair Teak Leg LH Assy	1
2	ODF-30.002A-01-XX	NA	Outdoor Furniture Rhodes Patio Chair Teak Leg RH Assy	1
3	H00288A-01	91950	JCBC M8X80 (Bolt)	4
4	H00331A-01	91953	Threaded Rod M6x50 mm	12
5	H00289A-01	91973	JCN M6X10 (Nut)	24
6	H00651A-01	91909	SS Sleeve 30mm	8
7	ODF-30.003A-01-XX	NA	Outdoor Furniture Rhodes Patio Chair Teak Seat Assy	2
8	ODF-30.004A-01-XX	NA	Outdoor Furniture Rhodes Patio Chair Teak Backrest Assy	2
9	ODF-21.006A-01	91985	SS Dowel Pin 38mm	2
10	H00650A-01	91908	SS Sleeve 35mm	4
11	ODF-49A-01-XX	NA	Outdoor Furniture Patio Chair Back Cushion	2
12	ODF-52A-01-XX	NA	Outdoor Furniture Patio Chair Seat Cushion	2
13	ODF-58A-01-XX	NA	Outdoor Furniture Patio Chair Accent Cushion	2
14	H00381A-01	91981	Plastic Cap Dia. 8mm	8
15	H00284A-01	91959	Adjuster Shoe M6X10	6
18	H00652A-01	91911	JCBC M6X80(Bolt)	8
22	ODF-30.005A-01	NA	Outdoor Furniture Rhodes Patio Chair Teak Leg Shared Assy	1

Spare Parts - Multi Seater

Rhodes - Alum-Teak Sofa

Item No.	Part No.	Spare Part SKU #	Description	BOM QTY
1	ODF-21.001A-01-XX	NA	Outdoor Furniture Rhodes Patio Chair Alum-Teak Leg LH Assy	1
2	ODF-21.002A-01-XX	NA	Outdoor Furniture Rhodes Patio Chair Alum-Teak Leg RH Assy	1
3	H00288A-01	91950	JCBC M8X80(Bolt)	4
4	H00331A-01	91953	Threaded Rod M6x50 mm	12
5	H00289A-01	91973	JCN M6X10(Nut)	24
6	H00651A-01	91909	SS Sleeve 30mm	8
7	ODF-21.003A-01	NA	Outdoor Furniture Rhodes Patio Chair Alum-Teak Seat Assy	2
8	ODF-21.004A-01	NA	Outdoor Furniture Rhodes Patio Chair Alum-Teak Backrest Assy	2
9	ODF-21.006A-01	91985	SS Dowel Pin 38mm	2
10	H00650A-01	91908	SS Sleeve 35mm	4
11	ODF-49A-01-XX	NA	Outdoor Furniture Patio Chair Back Cushion	2
12	ODF-52A-01-XX	NA	Outdoor Furniture Patio Chair Seat Cushion	2
13	ODF-58A-01-XX	NA	Outdoor Furniture Patio Chair Accent Cushion	2
14	ODF-01.005A-01	91980	Plastic Cap Dia. 8mm - Black	8
15	H00284A-01	91959	Adjuster Shoe M6X10	6
16	H00453A-01	91968	Ring ID10 X OD16 X 2mm (Washer)	24
17	H00336A-01	91967	Ring ID8 X OD16 X 2mm (Washer)	4
18	H00652A-01	91911	JCBC M6X80(Bolt)	8
21	H00455A-01	91952	Threaded Rod M6x37 mm	4
22	ODF-21.005A-01-XX	NA	Outdoor Furniture Rhodes Patio Chair Alum-Teak Leg Shared Assy	1

Lakeside - Rope-Teak Sofa

Item No.	Part No.	Spare Part SKU #	Description	BOM QTY
1	ODF-30.001A-01-XX	NA	Outdoor Furniture Rhodes Patio Chair Teak Leg LH Assy	1
2	ODF-30.002A-01-XX	NA	Outdoor Furniture Rhodes Patio Chair Teak Leg RH Assy	1
3	H00288A-01	91950	JCBC M8X80(Bolt)	4
4	H00331A-01	91953	Threaded Rod M6x50 mm	8
5	H00289A-01	91973	JCN M6X10(Nut)	24
6	H00651A-01	91909	SS Sleeve 30mm	8
7	ODF-31.001A-01-XX	NA	Outdoor Furniture Lakeside Patio Chair Teak-Flat Rope Seat Assy	2
8	ODF-31.002A-01-XX	NA	Outdoor Furniture Lakeside Patio Chair Teak-Flat Rope Backrest Assy	2
9	ODF-21.006A-01	91985	SS Dowel Pin 38mm	2
10	H00653A-01	91910	SS Sleeve 47mm	4
11	ODF-49A-01-XX	NA	Outdoor Furniture Patio Chair Back Cushion	2
12	ODF-52A-01-XX	NA	Outdoor Furniture Patio Chair Seat Cushion	2
13	ODF-58A-01-XX	NA	Outdoor Furniture Patio Chair Accent Cushion	2
14	H00381A-01	91981	Plastic Cap Dia. 8mm	8
15	H00284A-01	91959	Adjuster Shoe M6X10	6
18	H00652A-01	91911	JCBC M6X80(Bolt)	8
19	H00506A-01	91954	Threaded Rod M6x68 mm	4
20	ODF-31.003A-01	91987	Outdoor Furniture Lakeside Patio Chair Teak-Flat Rope Bush	4
22	ODF-30.005A-01	NA	Outdoor Furniture Rhodes Patio Chair Teak Leg Shared Assy	1

Cleaning and Care

Teak Parts

- Remove debris with a soft nylon bristled brush
 - Clean the surface using a sponge or damp cloth with water and mild soap.
 - Soak up any excess water with a microfiber or lint-free cloth
 - Allow the wood to dry naturally
 - To help prevent staining on teak components, NewAge recommends applying Golden Care's Teak Shield on our products. Follow the application instructions provided with Teak Shield.
- **Oiling teak parts regularly can help preserve its original golden brown appearance. Follow the below steps for oiling:**
1. Place a cloth or newspaper beneath the teak parts to catch spills. Put on gloves to avoid getting oil on your hand, which may cause skin irritation.
 2. Clean the wooden parts with water and mild soap.
 3. Dry the wooden parts after cleaning and leave them for 24–36 hours to remove all moisture before applying the oil.
 4. Apply teak oil by using a paint brush or a piece of cloth.
 5. Wait fifteen minutes, then wipe down with a cloth.
 6. Reapply every 6 months.

Powder Coated Aluminum Parts

- Clean with water and a mild liquid detergent to remove any dirt or splashes.
- A microfibre cloth or sponge should be used to wipe over the surfaces of the furniture.
- Removing surface water with a drying cloth will help avoid water spots.
- Avoid using any abrasive cleaning agents or materials, as these could mark the surface of the powder coat.
- This material is scratchable, do not use steel wool or Scotchbrite on powder coated surfaces.

Stainless Steel Parts

- Wash regularly with clean fresh water, mild detergent and a micro fiber cloth.
- After washing rinse with clean water and wipe the surface dry with your cloth remembering to go with the grain on brushed stainless steel.
- Do not use abrasive cleaners or a scouring pad of any type as they will cause excessive wear and dull the finish.
- We recommend using a multi-surface cleaner or stainless steel cleaner to remove spots.

If you have oxidation there are a few steps to take to bring your stainless steel parts back to "as new" condition:

- Apply clean water with a cleaning sponge and rub gently in the direction of the grain.
- If the mark won't shift, it may be necessary to use a stainless steel cleaner, in which case apply the cleaner and rub gently.
- After cleaning it is important to rinse the stainless steel with clean fresh water and buff with a soft cloth
- Remember to always rub with the grain, NEVER across as you will ruin the finish, and the stainless can lose its shine. If you must use a scourer, use a plastic scrub pad with no metal content

NEWAGE PRODUCTS INC. OUTDOOR FURNITURE MANUFACTURER WARRANTY

PROOF OF PURCHASE IS REQUIRED TO OBTAIN WARRANTY SERVICE.

Please have the following information available when you call our customer service team:

- Name, address and telephone number
- Product Name / SKU Number
- A clear, detailed description of the problem
- Proof of purchase including order number

Register your NewAge Products purchase online for quicker customer assistance and access to exclusive benefits

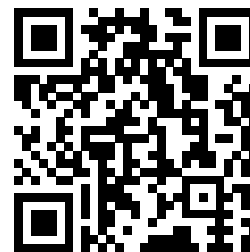
Visit www.newageproducts.com/register/

Warranty Claim

For warranty service please contact NewAge Products at **1-877-306-8930**; or support@newageproducts.com

Please review all warranty details below, prior to contacting NewAge Products for a claim.

Scan the QR code on the right to access our support page or visit www.newageproducts.com/contact-us/



Scan this QR code with the camera on your mobile device to visit the NewAge Products Support Hub

www.newageproducts.com/support-hub/

WHAT IS COVERED

When this product is installed, operated and maintained according to the instructions attached to or furnished with the product, NewAge Products Inc. will replace the defective product or parts if the part fails as a result of defective materials or workmanship for the warranty duration from the purchase date of the product.

WHAT IS NOT COVERED

1. Service calls to correct the installation of any NewAge products or to instruct you how to use or install them.
2. Damage resulting from products caused by accident, misuse, abuse, fire, flood, improper installation, acts of God, neglect, modification or mishandling.
3. Repairs or replacement when your product is used in other than normal, residential use, such as a commercial environment, or handled in anyway inconsistent with the installation instructions included with the product.
4. Sudden variations in temperature or exposure to unusual conditions.
5. Flattening or compression of cushions, swivel mechanisms.
6. Changes in wood color due to natural ageing and minor cracks on wood with time.
7. Variations in surface finishes due to UV exposure or natural ageing and surfaces damaged due to improper use of chemicals, and detergents.
8. Normal fading of fabrics, upholstery or woven materials.
9. Replacement parts for NewAge products outside Canada and the United States.
10. Loss due to theft.
11. Damage resulting from use of the product contrary and not in accordance to the instruction manual.
12. Any labor costs during the warranty period.

NEWAGE PRODUCTS INC. OUTDOOR FURNITURE MANUFACTURER WARRANTY

ONE YEAR LIMITED WARRANTY

WOVEN FRAMES (FLAT ROPE AND WICKER)

NewAge warranty covers Flat rope and Wicker woven on the frames for 1 YEAR. If the hand-woven resin weave breaks or structurally deteriorates, or if the weave excessively fades or becomes discolored within One year from the date of purchase, we will at our option, replace, repair or refinish the product in the original color and style, if available, or in a similar color and style if the original has been discontinued. **THE WEAVE WILL NOT BE WARRANTIED IF DETERIORATION, DISCOLORATION, FADING, ETC. IS DUE TO CHEMICALS, CLEANING PRODUCTS OTHER THAN SPECIFIED, SUN LOTIONS ET AL, USE IN COMMERCIAL SETTINGS, EXTREME HEAT OR SUNLIGHT.**

CUSHIONS AND FABRIC

NewAge warranty covers all cushions and fabrics for 1 YEAR. If your cushion or fabric becomes unserviceable due to color or strength loss from normal usage and exposure conditions, including sunlight, mildew and atmospheric chemicals within 1 year of the date of purchase, NewAge will repair or replace the fabric in the original color and pattern if available, or in a similar color and pattern if the original has been discontinued. Any failures in stitching, cushion foam, Umbrella frame/pole or other areas of workmanship will be warrantied for 1 YEAR. **THIS WARRANTY DOES NOT COVER NORMAL CARE AND CLEANING, DAMAGE FROM MISUSE OR ABUSE, IMPROPER INSTALLATION, OR COSTS ASSOCIATED WITH REPLACEMENT OF THE FABRIC, INCLUDING LABOR AND INSTALLATION. THE FABRIC WILL NOT BE WARRANTIED IF DETERIORATION, DISCOLORATION, FADING, ETC. IS DUE TO CHEMICALS, CLEANING PRODUCTS, SUN LOTIONS ET AL, USE IN COMMERCIAL SETTINGS, EXTREME HEAT OR SUNLIGHT.**

THREE YEARS LIMITED WARRANTY

STAINLESS STEEL AND POWDER COATED ALUMINUM FRAMES

NewAge warranty covers Aluminum and Stainless Steel frames for 3 YEARS. If your NewAge frame fails structurally during the normal usage within three years, NewAge will repair or replace the Outdoor furniture frame at manufacturer's discretion (with same or similar product if discontinued). From time to time there may be minor variations in color and texture of finishes. **THIS WARRANTY SPECIFICALLY DOES NOT COVER SUCH MINOR VARIATIONS IN COLOR AND TEXTURE OF FINISHES.**

TEAK FRAMES

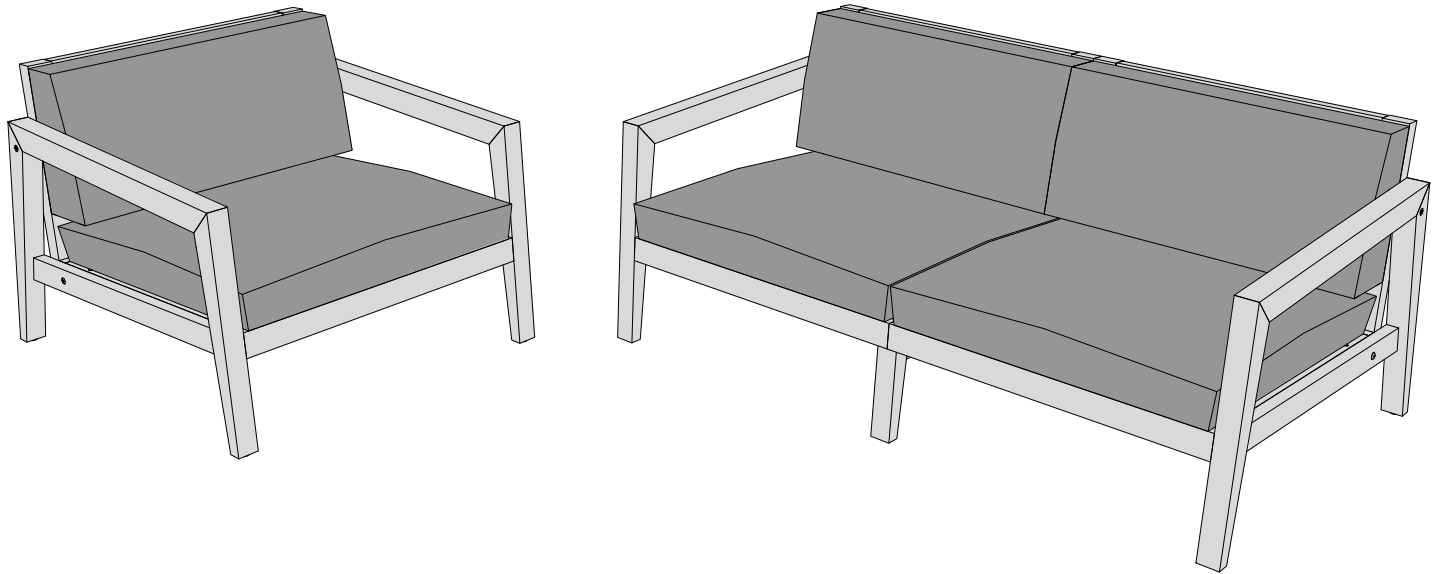
NewAge warranty covers teak furniture frames for 3 YEARS. If your NewAge frame fails structurally during the normal usage within 3 years, NewAge will repair or replace the Outdoor furniture frame at manufacturer's discretion (with same or similar product if discontinued). This warranty is valid only if the teak is maintained properly according to the instructions provided in the install guide. Natural variations occurring in wood shall not be considered. From time to time there may be variations in color and texture of finishes. **WARRANTY SPECIFICALLY DOES NOT COVER SUCH MINOR VARIATIONS IN COLOR AND TEXTURE OF FINISHES. COMPONENTS SUCH AS CHAIR FEET ARE SUBJECT TO WEAR AND TEAR AND ARE NOT CONSIDERED PART OF THE FRAME.**

DISCLAIMER OF IMPLIED WARRANTIES

IMPLIED WARRANTIES, INCLUDING TO THE EXTENT APPLICABLE WARRANTIES OF MERCHANTABILITY OR FITNESS FOR A PARTICULAR PURPOSE, ARE EXCLUDED TO THE EXTENT LEGALLY PERMISSIBLE. ANY IMPLIED WARRANTIES THAT MAY BE IMPOSED BY LAW ARE LIMITED TO ONE YEAR, OR THE SHORTEST PERIOD ALLOWED BY LAW. THIS WARRANTY IS LIMITED TO THE ORIGINAL BUYER. Some states and provinces do not allow limitations on the duration of implied warranties of merchantability or fitness, so this limitation may not apply to you. This warranty gives you specific legal rights, and you also may have other rights that vary from state to state or province to province.

LIMITATION OF REMEDIES; EXCLUSION OF INCIDENTAL AND CONSEQUENTIAL DAMAGES

YOUR SOLE AND EXCLUSIVE REMEDY UNDER THIS LIMITED WARRANTY SHALL BE PRODUCT REPAIR OR REPLACEMENT AT OUR DISCRETION AS PROVIDED HEREIN. NEWAGE SHALL NOT BE LIABLE FOR INCIDENTAL OR CONSEQUENTIAL DAMAGES. Some states and provinces do not allow the exclusion or limitation of incidental or consequential damages, so these limitations and exclusions may not apply to you. This warranty gives you specific legal rights, and you also may have other rights that vary from state to state or province to province.



Sofa Rhodes et Lakeside

TECK/AL-TEAK/CORDE TECK

GUIDE D'INSTALLATION



ATTENTION:

Est votre sofa endommagée?
Avez vous besoin d'aide ou de pièces de rechange? Contactez
NewAge Products a 1-877-306-8930; ou
support@newageproducts.com.
Ne pas retourner au détaillant.

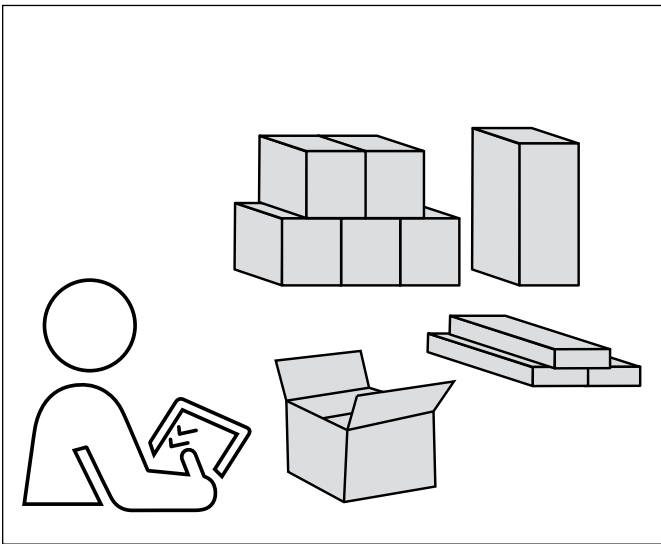
Index

Déballage	3
Inspection du produit	3
Outils requis	3
Collection Rhodes-Sofa	4
Collection Lakeside- Sofa	4
Visserie	4
Composant pour les ensembles d'UGS	5
Exemples de disposition	7
Assemblage de siège unique	8
Assemblage de plusieurs sièges	15
Pièces détachées - siège unique	19
Pièces détachées - Plusieurs sièges	21
Nettoyage et soins	23
NEWAGE PRODUCTS INC. GARANTIE DU FABRICANT DE MEUBLES D'EXTÉRIEUR	24

Déballage

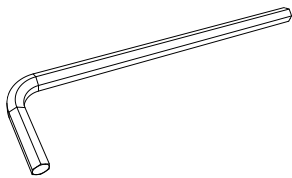
- Commencer par placer le paquet sur une surface plane couverte.
- Enlever les cartons, le matériel d'emballage en mousse et les sacs en plastique transparents.
- Jeter/recycler tous les matériaux d'emballage.
- Vérifier le contenu de la boîte et rassembler les outils requis. Voir « Pièces » et « Outils nécessaires »

Inspection du produit



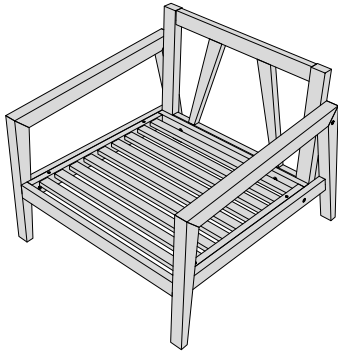
- Assurez-vous d'avoir reçu toutes les pièces conformément à la commande que vous avez passée.
- S'il manque des pièces, contactez NewAge Products au 1 877-306-8930.
- Avant de commencer l'installation, inspectez les produits pour y déceler tout dommage.
- Lisez attentivement les instructions d'installation avant de commencer l'installation.

Outils Requis

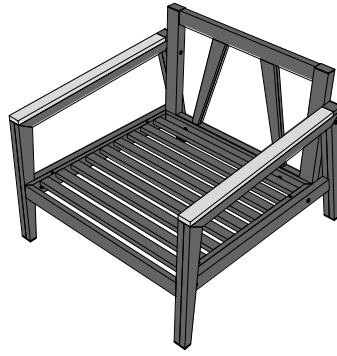


clé Allen
(4mm and 5mm)

Collection Rhodes-Sofa

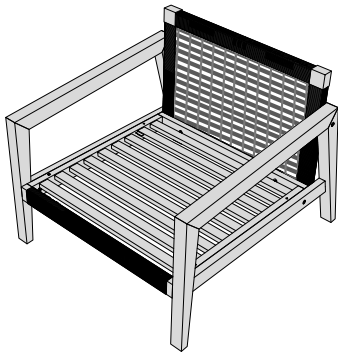


Sofa en teck



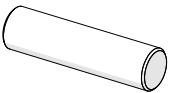
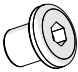


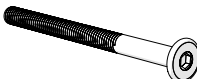
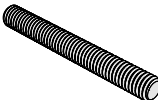

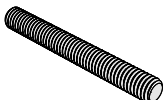
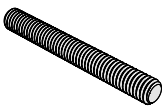
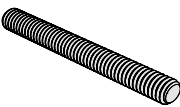



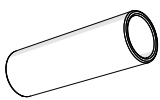
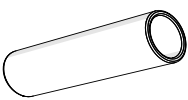

Sofa en teck-aluminium

Collection Lakeside-Sofa



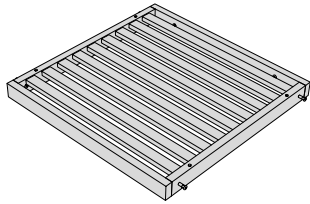
Sofa corde-teck

Visserie incluse

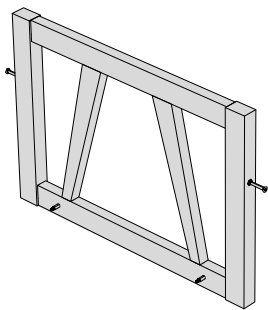
Base du siège et dossier				Pattes		Patte commune
						
Goupille 38 mm	Écrou M6X10	Bouchon en plastique 8 mm	Rondelle M10/M8 (Sofa en teck-aluminium)	Boulon M8X80	Tige filetée M6X50	Boulon M6X80
						
Tige filetée M6X50	Tige filetée M6X37 (Sofa en teck-aluminium)	Tige filetée M6X68 (Sofa en corde-teck)		Écrou M6X10	Rondelle M10 (Sofa en teck- aluminium)	
						
Manchon 35 mm	Manchon 30 mm	Manchon 47 mm (Sofa en corde-teck)		Manchon 30 mm		

Composants pour les ensemble UGS

Ensemble de base de siège base et de dossier



Base de siège



Dossier

Teck

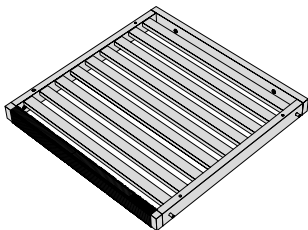
Article n°	Description	Quantité
1	Base du siège (Teck)	1
2	Dossier (Teck)	1
3	Écrou M6x10	12
4	Tige filetée M6x50	6
5	Goupille (38 mm)	1
6	Manchon (30 mm)	4
7	Manchon (35 mm)	2
8	Capuchon en plastique (8 mm)	4
9	Boulon M8X80	2
10	Boulon M6X80	4

Aluminium

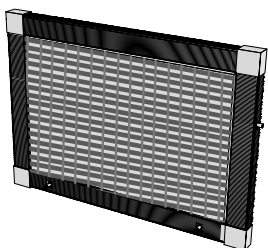
Article n°	Description	Quantité
1	Base de siège (Aluminium)	1
2	Dossier (aluminium)	1
3	Tige filetée M6x50	6
4	Tige filetée M6x37	2
5	Écrou M6x10	12
6	Rondelle M10	12
7	Rondelle M8	2
8	Goupille (38 mm)	1
9	Capuchon en plastique (8 mm)	4
10	Manchon (35mm)	2
11	Manchon (30 mm)	4
12	Boulon M8X80	2
13	Boulon M6X80	4

* Le dossier et la base du siège font partie de l'ensemble combiné

Ensemble de base de siège et de dossier



Base de siège



Dossier

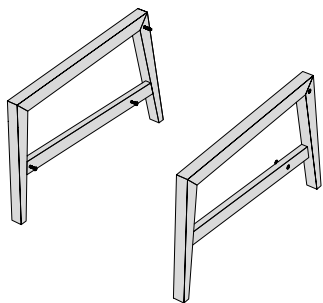
Corde-teck

Article n°	Description	Quantité
1	Base du siège (Teck)	1
2	Dossier (corde-teck)	1
3	Écrou M6x10	12
4	Tige filetée M6x50	4
5	Tige filetée M6x68	2
6	Goupille (38 mm)	1
7	Manchon (30 mm)	4
8	Manchon (47mm)	2
9	Capuchon en plastique (8 mm)	4
10	Boulon M8X80	2
11	Boulon M6X80	4

* Le dossier et la base du siège font partie de l'ensemble combiné

Composants pour les ensemble UGS

Ensemble de pattes



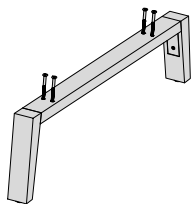
Teck

Article n°	Description	Quantité
1	Patte gauche	1
2	Patte droite	1

Aluminium-Teck

Article n°	Description	Quantité
1	Patte gauche	1
2	Patte droite	1

Ensemble de pattes communes



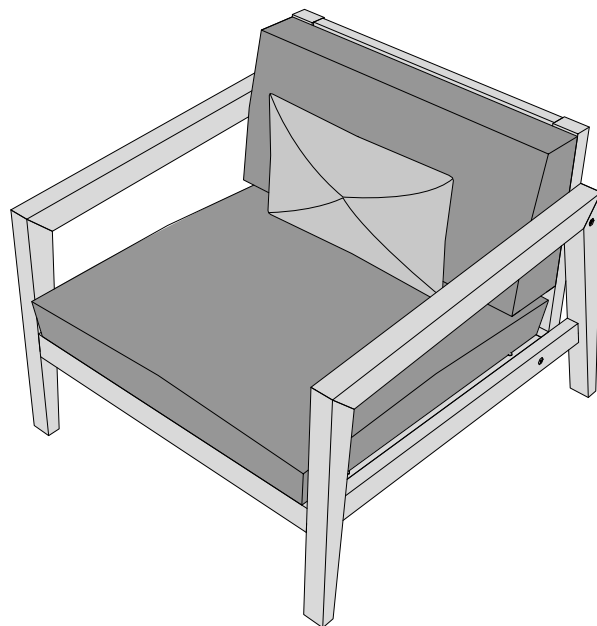
Teck

Article n°	Description	Quantité
1	Patte commune	1

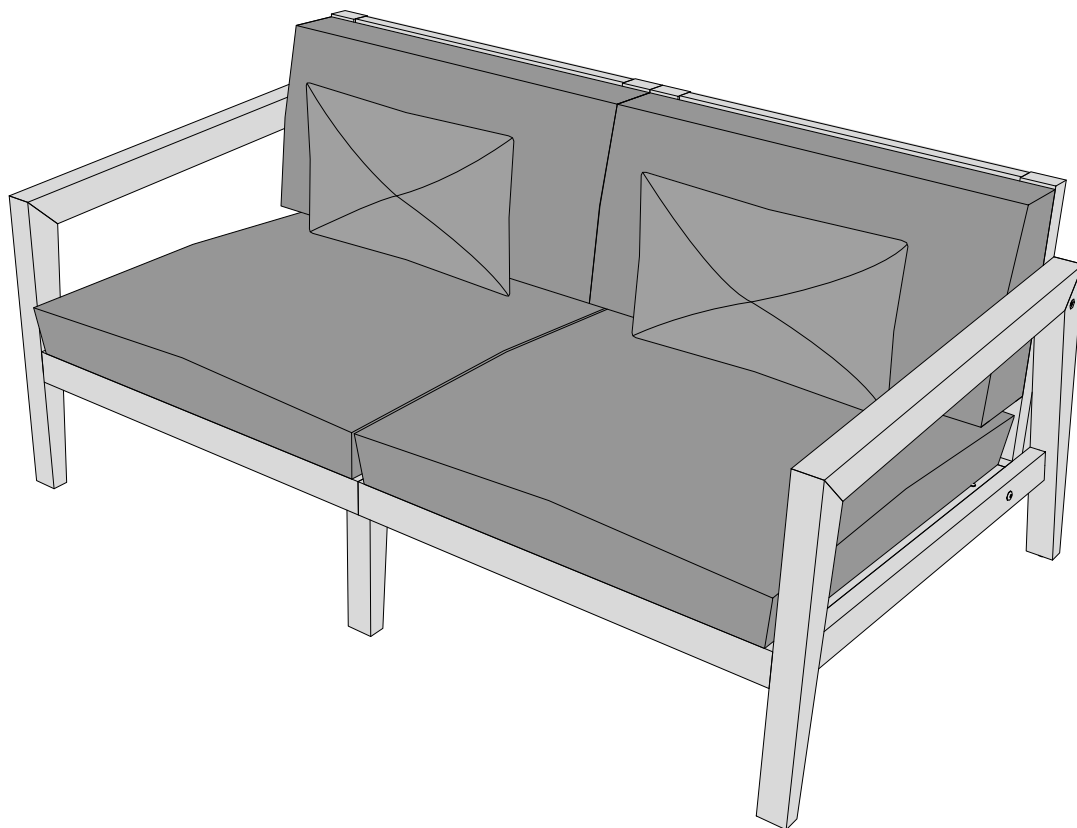
Aluminium

Article n°	Description	Quantité
1	Patte commune	1

Exemples de disposition



Siège unique



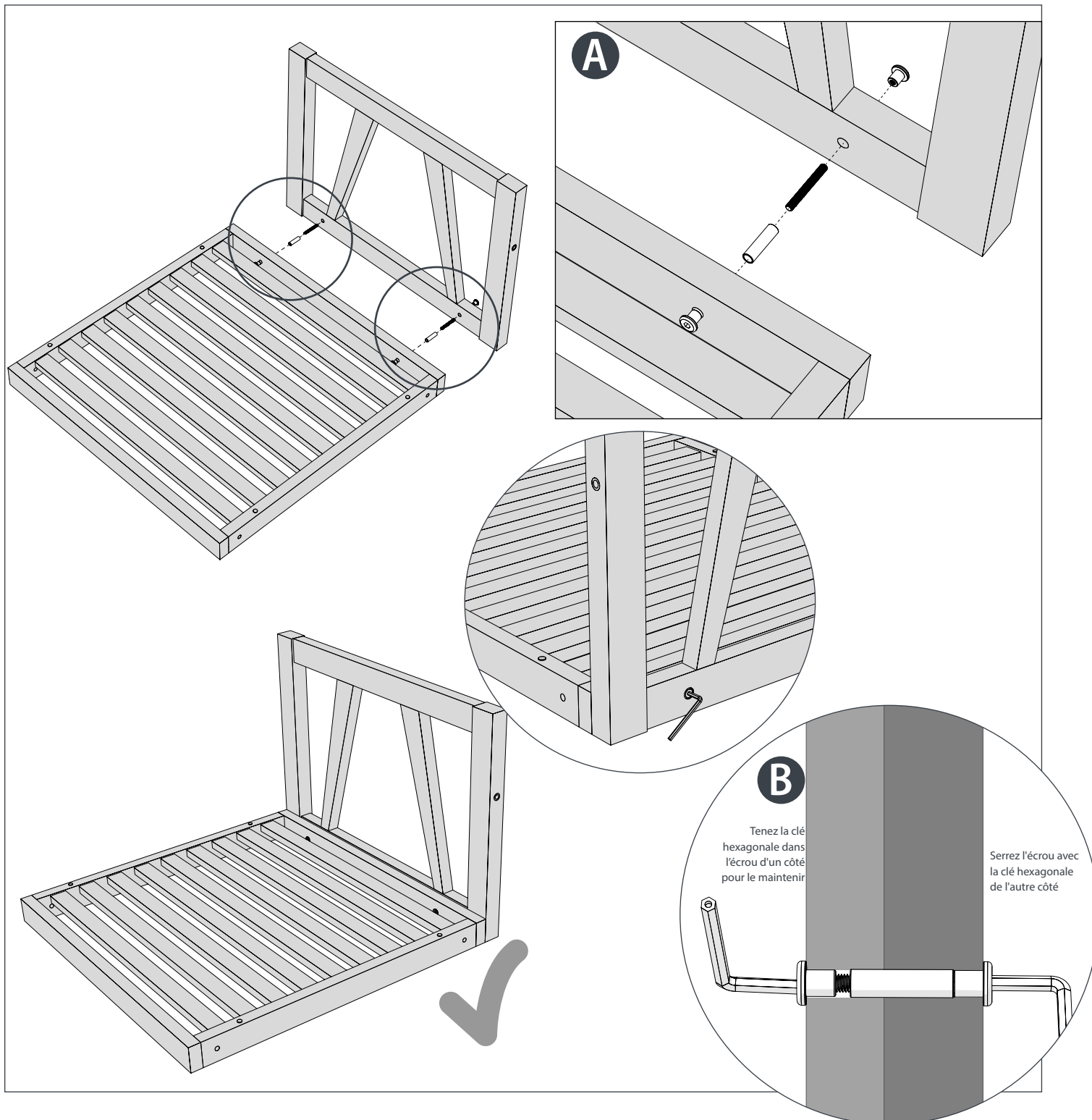
**Disposition linéaire à plusieurs
sièges**

Assemblage de siège unique

Sofa en teck

Fixez le dossier à la base du siège en insérant un manchon de 35 mm entre le dossier et la base du siège. Insérez maintenant les deux tiges filetées M6X50 et les écrous M6X10 des deux côtés comme indiqué (A) pour fixer l'ensemble. Utilisez deux clés hexagonales pour serrer l'ensemble (B).

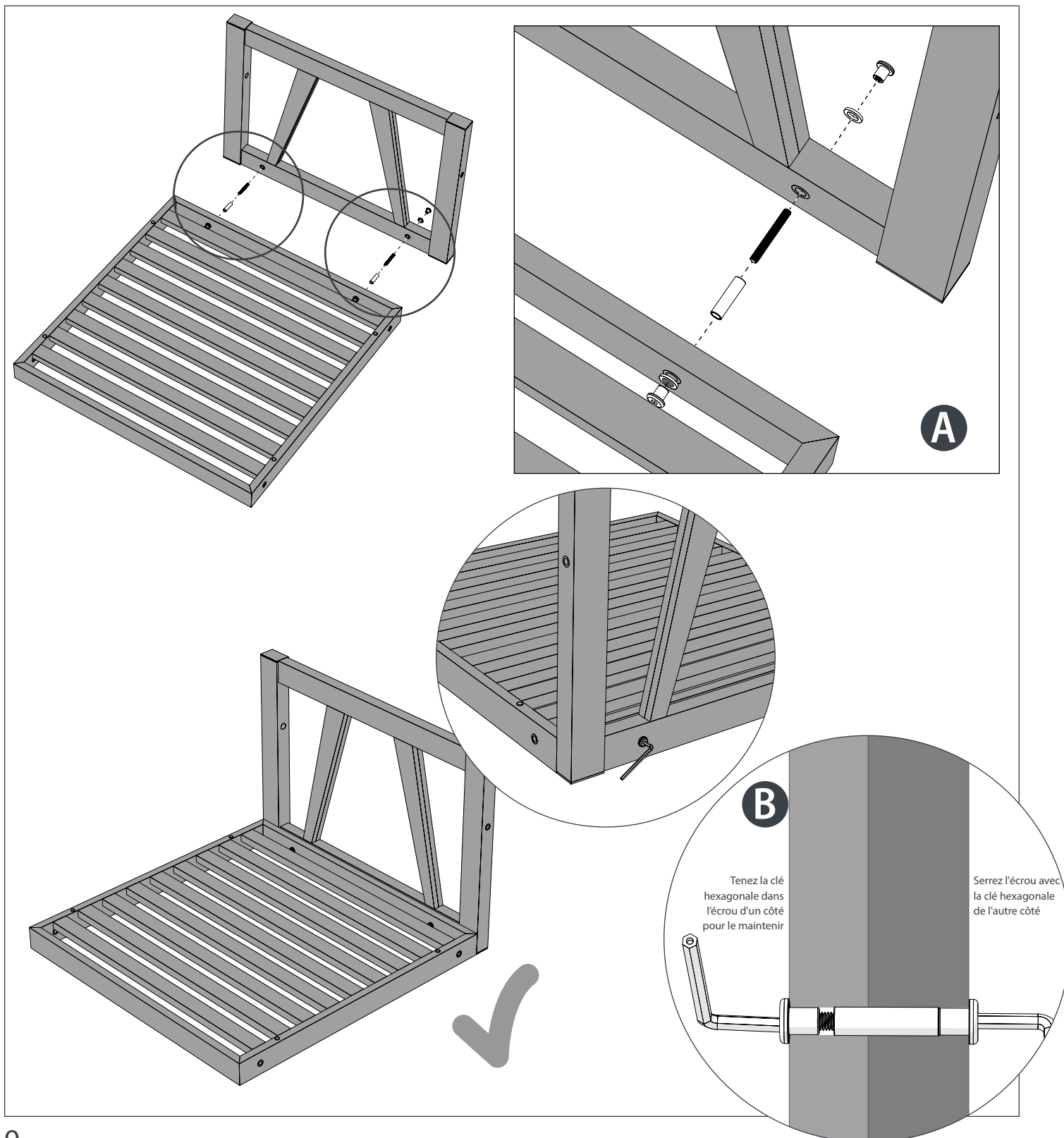
1



Assemblage de siège unique

Sofa en aluminium et teck

- 1** Pour le sofa en aluminium et teck, fixez le dossier à la base du siège en insérant un manchon de 35 mm entre le dossier et la base du siège. Insérez maintenant les deux tiges filetées M6X50 et les écrous M6X10 avec les rondelles M10 des deux côtés comme indiqué (A) pour fixer l'ensemble. Utilisez deux clés hexagonale pour serrer l'ensemble (B)

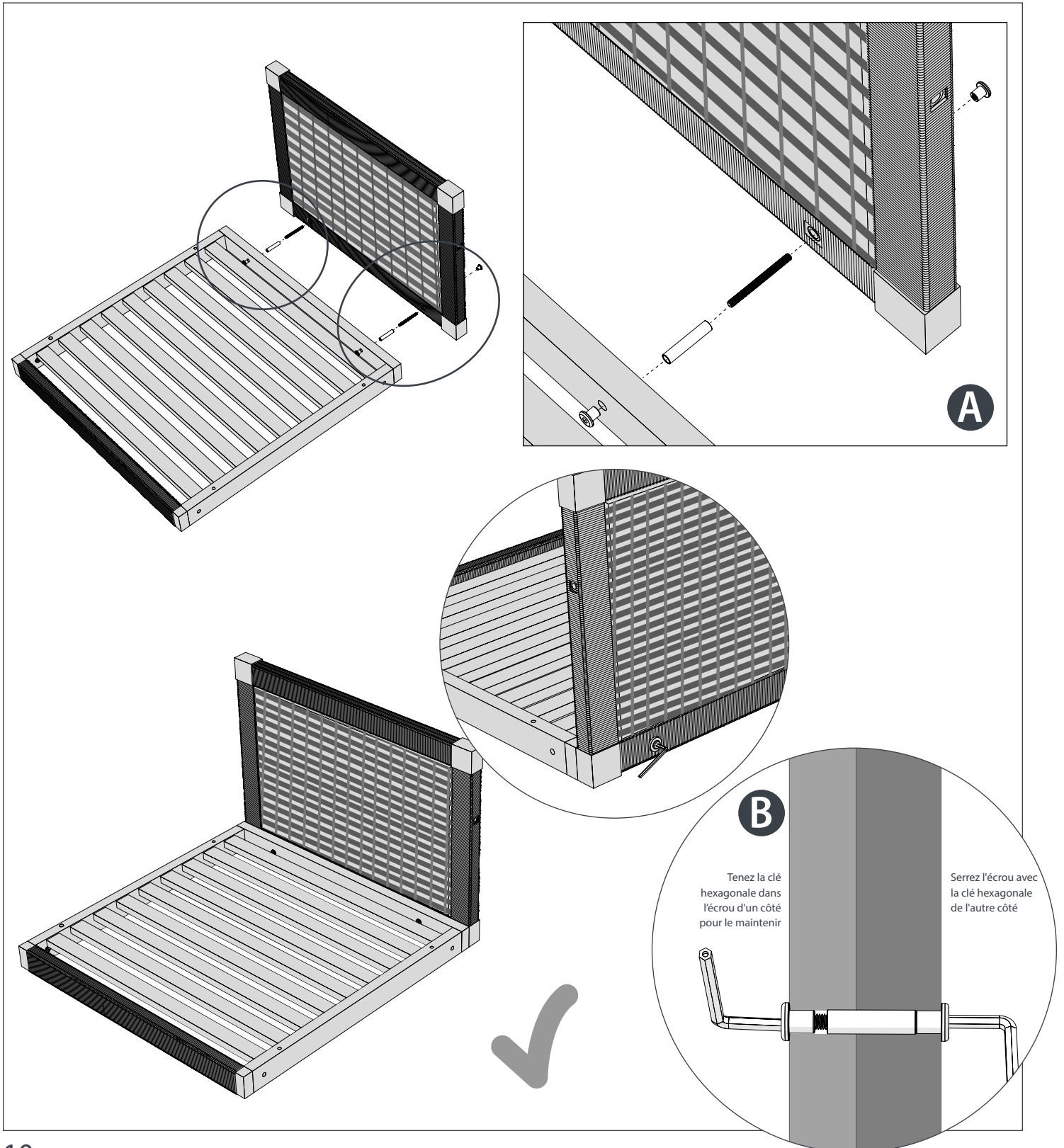


Assemblage de siège unique

Sofa en corde et teck

Fixez le dossier à la base du siège en insérant un manchon de 47 mm entre le dossier et la base du siège. Insérez maintenant les deux tiges filetées M6X68 et les écrous M6X10 des deux côtés comme indiqué (A) pour fixer l'ensemble. Utilisez deux clés hexagonale pour serrer l'ensemble (B).

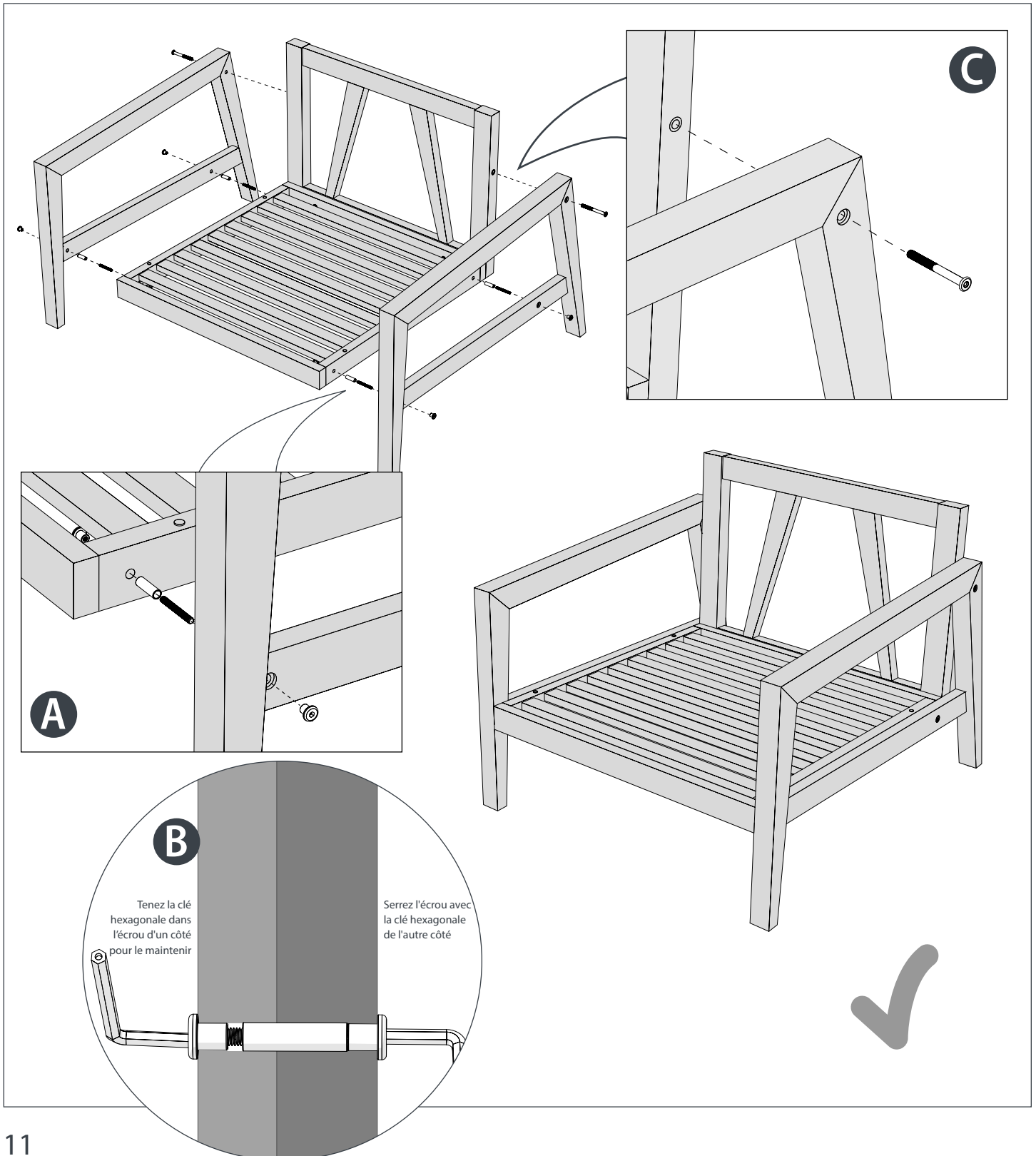
1



Assemblage de siège unique

Sofa en teck

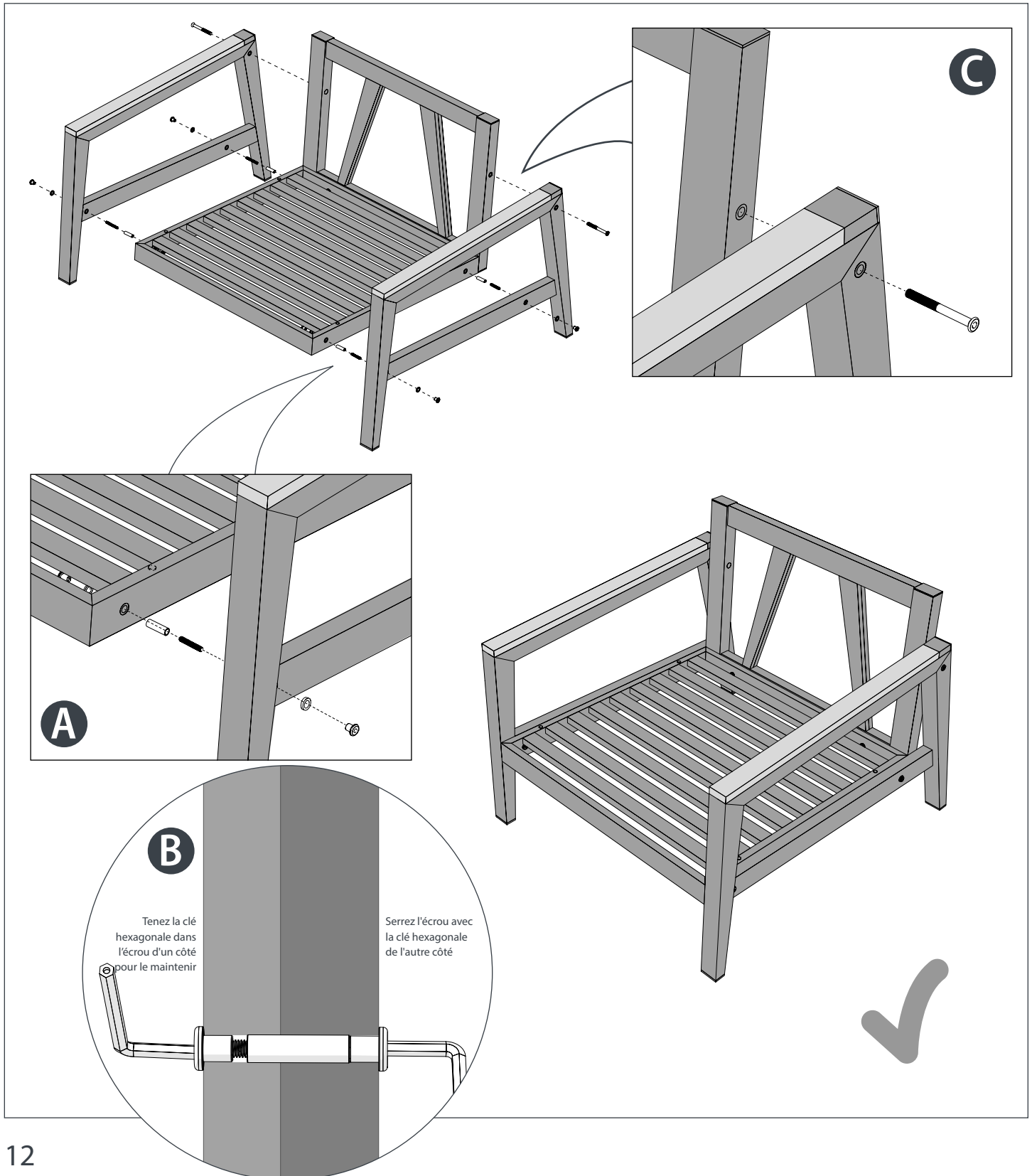
- 2** Fixez l'ensemble de base de siège et de dossier avec la patte en insérant deux manchons de 30 mm avec deux tiges filetées M6X50 et des écrous M6X10 à la base des deux côtés (A). Serrez l'ensemble avec deux clés hexagonales de chaque côté (B). Serrez maintenant le boulon M8X80 sur le haut des deux pattes (C)



Assemblage de siège unique

Sofa en aluminium et teck

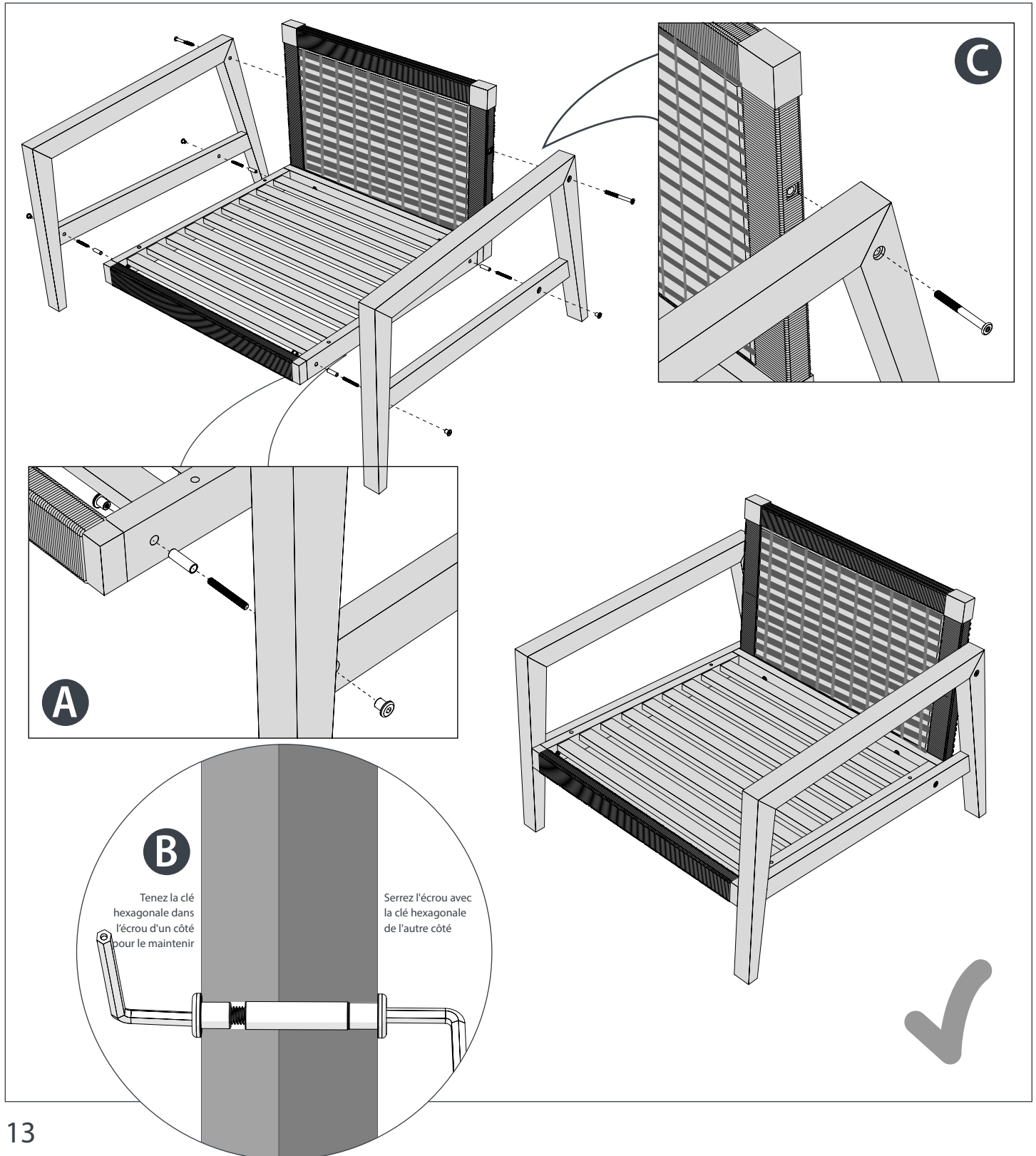
- 2** Fixez l'ensemble de base de siège et de dossier avec la patte en insérant deux manchons de 30 mm avec deux tiges filetées M6X50 et des écrous M6X10 munis de rondelle M10 à la base des deux côtés (A). Serrez l'ensemble avec deux clés hexagonales de chaque côté (B). Serrez maintenant le boulon M8X80 sur le haut des deux pattes (C)



Assemblage de siège unique

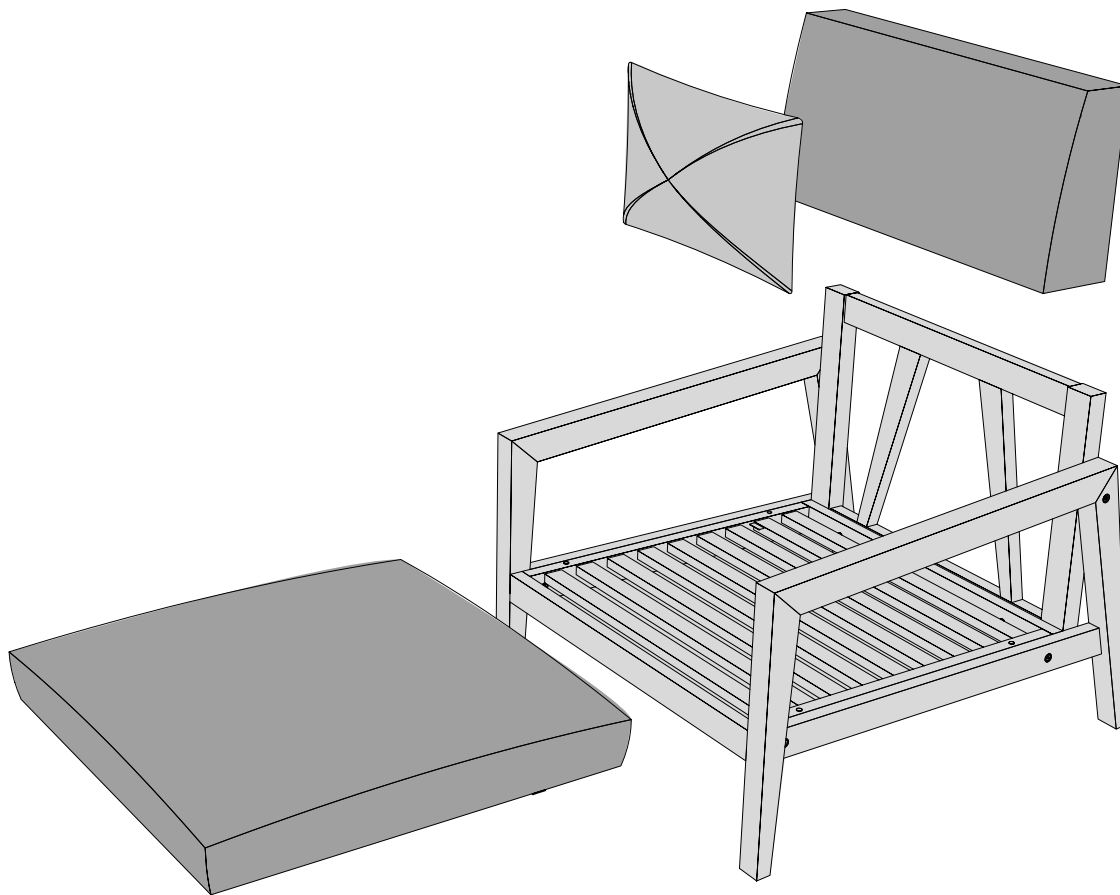
Sofa en corde et teck

- 2** Fixez l'ensemble de base de siège et de dossier avec la patte en insérant deux manchons de 30 mm avec deux tiges filetées M6X50 et des écrous M6X10 à la base des deux côtés (A). Serrez l'ensemble avec deux clés hexagonales de chaque côté (B). Serrez maintenant le boulon M8X80 sur le haut des deux pattes (C)

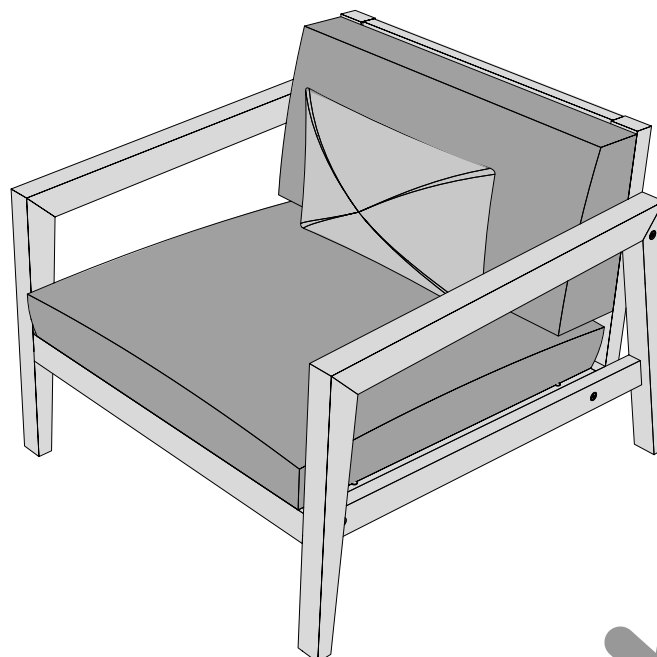


Assemblage de siège unique

- 3** Placez le coussin du siège, le coussin du dossier et le coussin décoratif (en option) sur l'ensemble de sofa.

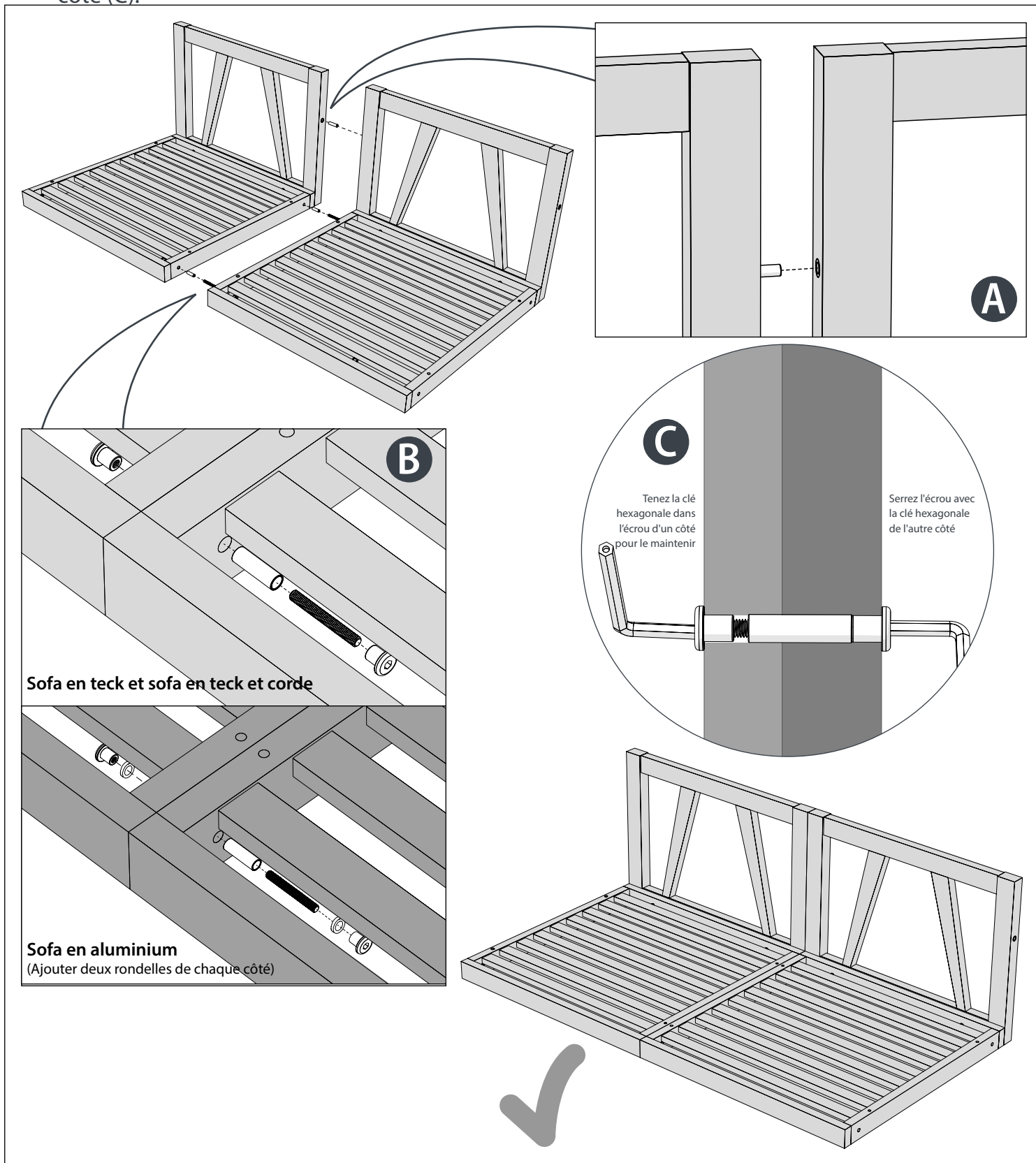


Article n°	Description	Quantité requise
1	Ensemble de la base du siège	1
2	Assemblage du dossier	1
3	Ensemble de pattes	1x ensemble de 2
3	Coussin de siège	1
4	Coussin de dossier	1
5	Coussin d'appoint (en option)	1



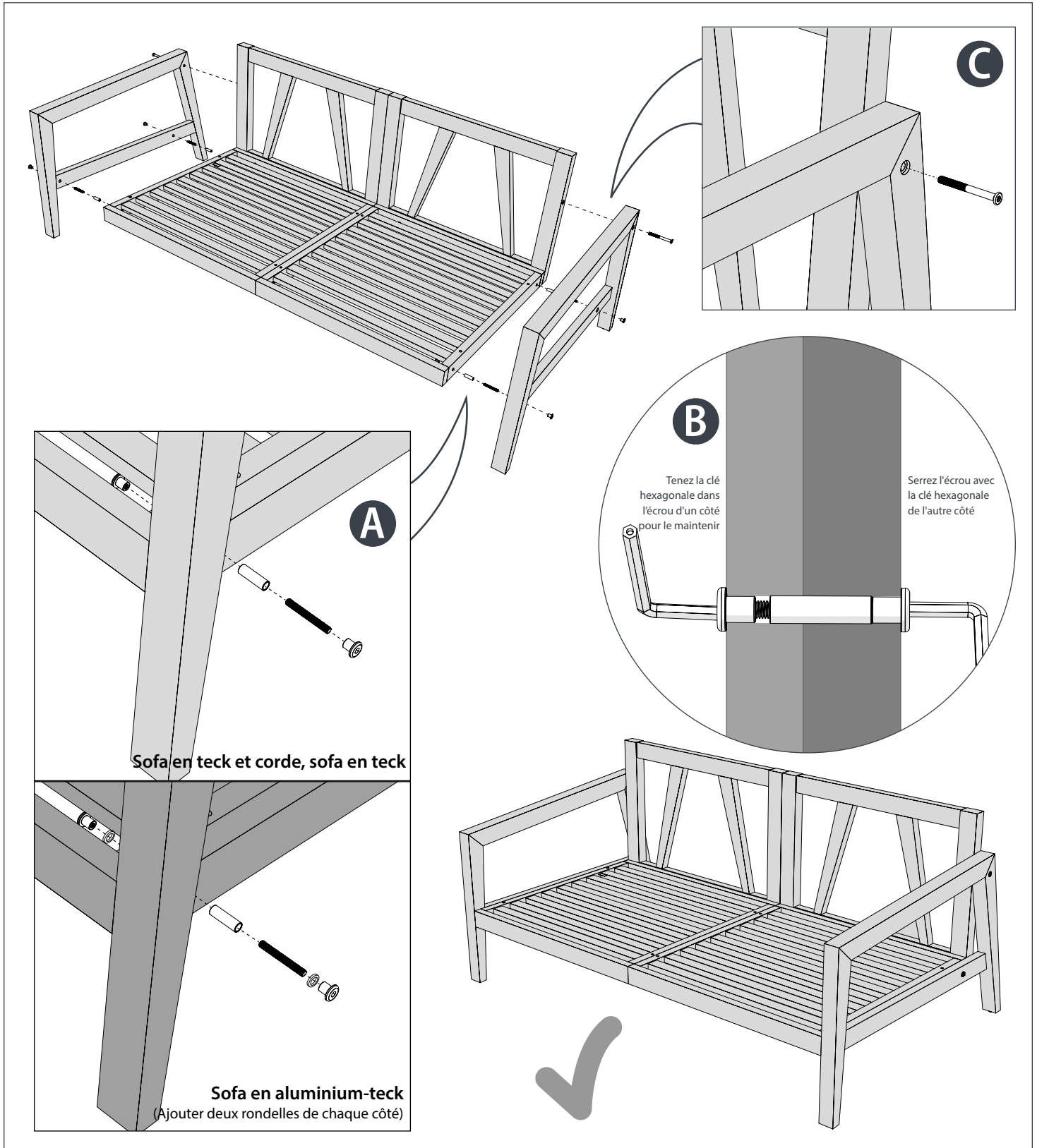
Assemblage de plusieurs sièges

- 1** Assemblez d'abord deux ensembles de base de siège et de dossier en insérant la goupille de 38 mm entre les dossiers illustrés (A). Ensuite, insérez deux manchons de 30 mm avec deux tiges filetées M6X50 (tige filetée M6X37 pour le sofa en aluminium et teck) et des écrous M6X10 au bas des bases du siège (B). Serrez l'ensemble avec deux clés hexagonales de chaque côté (C).



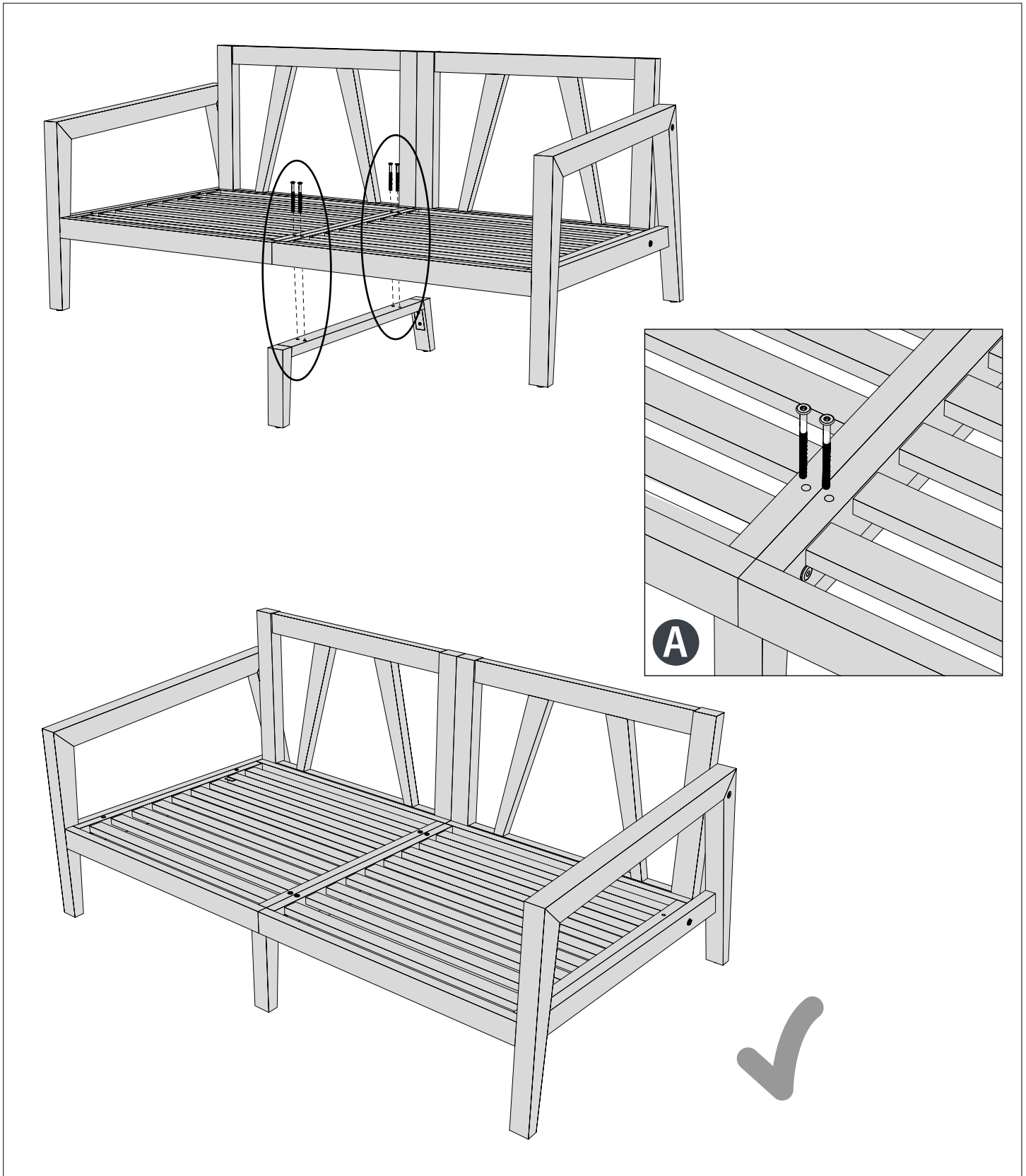
Assemblage de plusieurs sièges

- 2** Maintenant, fixez les ensembles de base de siège et de dossier avec les pattes en insérant deux manchons de 30 mm avec deux tiges filetées M6X50 et des écrous M6X10 à la base des deux côtés (A). Serrez l'ensemble avec deux clés hexagonales de chaque côté (B). Serrez maintenant le boulon M8X80 sur le haut des deux pattes (C)



Assemblage de plusieurs sièges

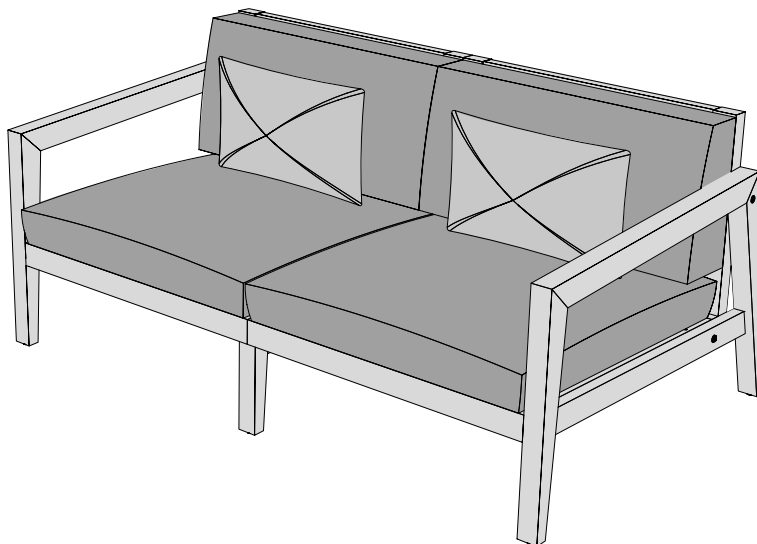
- 3** Fixez la patte commune en fixant quatre boulons M6X80 comme indiqué (A) pour soutenir l'ensemble.



Assemblage de plusieurs sièges

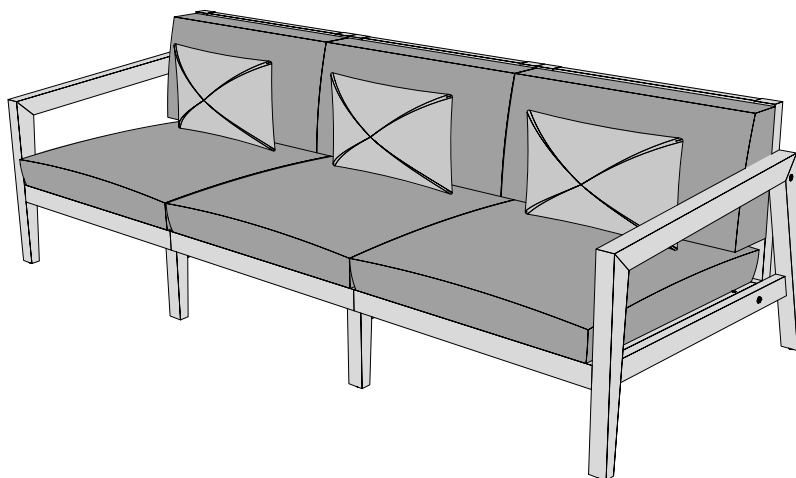
4 Placez les coussins de siège, les coussins de dossier et les coussins décoratifs (en option) sur l'ensemble de sofa.

Article n°	Description	Quantité requise
1	Base de siège	2
2	Dossier	2
3	Patte	1x ensemble de 2
4	Patte commune	1
5	Coussin de siège	2
6	Coussin de dossier	2
7	Coussin d'appoint (en option)	2

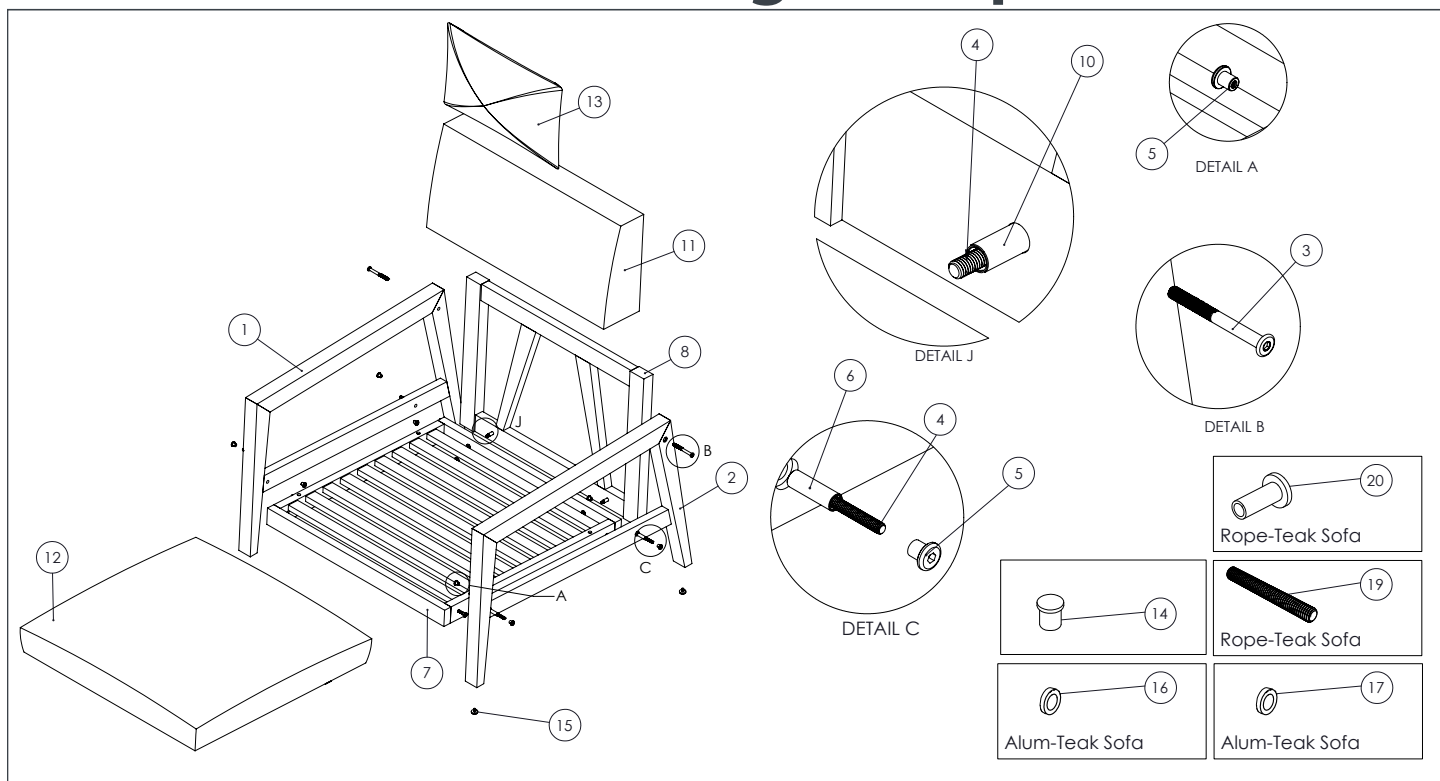


i **REMARQUE :** En ajoutant un autre ensemble de siège et de dossier avec un ensemble de pattes et une patte commune, on peut installer un sofa trois places et suivre le même processus pour les sofas à plusieurs places.

Article n°	Description	Quantité requise
1	Base de siège	3
2	Dossier	3
3	Patte	1x ensemble de 2
4	Patte commune	2
5	Coussin de siège	3
6	Coussin de dossier	3
7	Coussin d'appoint (en option)	3



Pièces détachées - siège unique



Rhodes - Sofa en teck

Article n°	N° de pièce	Pièce de rechange N° d'UGS :	Description	NOMENCLATURE QTÉ
1	ODF-30.001A-01-XX	SO	Chaise de patio en acier inoxydable Rhodes de mobilier d'extérieur-Ens. gauche de pattes en teck	1
2	ODF-30.002A-01-XX	SO	Chaise de patio en acier inoxydable Rhodes de mobilier d'extérieur-Ens. droit de pattes en teck	1
3	H00288A-01	91950	JCBC M8X80 (boulon)	2
4	H00331A-01	91953	Tige filetée M6x50 mm	6
5	H00289A-01	91973	JCN M6X10 (Écrou)	12
6	H00651A-01	91909	Manchon en acier inoxydable 30 mm	4
7	ODF-30.003A-01-XX	SO	Chaise de patio Rhodes de mobilier d'extérieur - Ens. de siège en teck	1
8	ODF-30.004A-01-XX	SO	Chaise de patio Rhodes de mobilier d'extérieur - Ens. de dossier en teck	1
9	ODF-21.006A-01	91985	Goupille en acier inoxydable 38 mm	1
10	H00650A-01	91908	Manchon en acier inoxydable 35mm	2
11	ODF-49A-01-XX	SO	Coussin de dossier de chaise de patio de mobilier d'extérieur	1
12	ODF-52A-01-XX	SO	Coussin de siège de chaise de patio de mobilier d'extérieur	1
13	ODF-58A-01-XX	SO	Coussin décoratif de chaise de patio de mobilier d'extérieur	1
14	H00381A-01	91981	Capuchon en plastique dia. 8 mm	4
15	H00284A-01	91959	Patin de réglage M6X10 mm	4
18	H00652A-01	91911	JCBC M6X80(boulon)	4

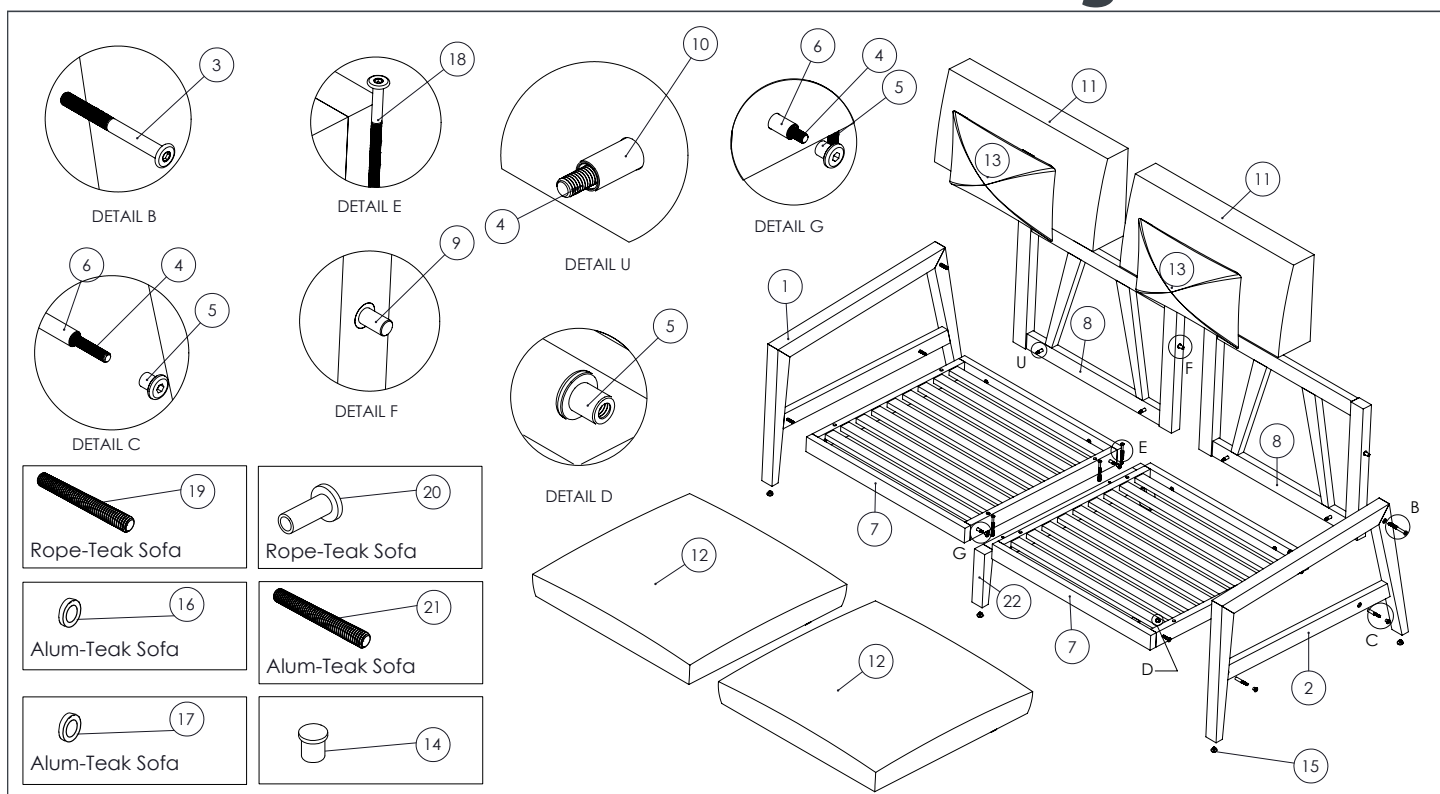
Rhodes - Sofa en aluminium-teck

Article n°	N° de pièce	Pièce de rechange N° d'UGS :	Description	NOMENCLATURE QTÉ
1	ODF-21.001A-01-XX	SO	Chaise de patio en aluminium Rhodes de mobilier d'extérieur-Ens. gauche de pattes en teck	1
2	ODF-21.002A-01-XX	SO	Chaise de patio en aluminium Rhodes de mobilier d'extérieur-Ens. droit de pattes en teck	1
3	H00288A-01	91950	JCBC M8X80(boulon)	2
4	H00331A-01	91953	Tige filetée M6x50 mm	6
5	H00289A-01	91973	JCN M6X10(Écrou)	12
6	H00651A-01	91909	Manchon en acier inoxydable 30 mm	4
7	ODF-21.003A-01	SO	Chaise de patio en alum. Rhodes de mobilier d'extérieur, ens. de siège en teck	1
8	ODF-21.004A-01	SO	Chaise de patio en alum. Rhodes de mobilier d'extérieur - Ens. de dossier en teck	1
9	ODF-21.006A-01	91985	Goupille en acier inoxydable 38mm	1
10	H00650A-01	91908	Manchon en acier inoxydable 35mm	2
11	ODF-49A-01-XX	SO	Coussin de dossier de chaise de patio de mobilier d'extérieur	1
12	ODF-52A-01-XX	SO	Coussin de siège de chaise de patio de mobilier d'extérieur	1
13	ODF-58A-01-XX	SO	Coussin décoratif de chaise de patio de mobilier d'extérieur	1
14	ODF-01.005A-01	91980	Capuchon en plastique dia. 8 mm-Noir	4
15	H00284A-01	91959	Patin de réglage M6X10 mm	4
16	H00453A-01	91968	Anneau ID10 X OD16 X 2 mm(Rondelle)	12
17	H00336A-01	91967	Anneau ID8 X OD16 X 2 mm(Rondelle)	2
18	H00652A-01	91911	JCBC M6X80(boulon)	4
21	H00455A-01	91952	Tige filetée M6x37 mm	2

Lakeside - sofa en corde et teck

Article n°	N° de pièce	Pièce de rechange N° d'UGS :	Description	NOMENCLATURE QTÉ
1	ODF-30.001A-01-XX	SO	Chaise de patio en acier inoxydable Rhodes de mobilier d'extérieur-Ens. gauche de pattes en teck	1
2	ODF-30.002A-01-XX	SO	Chaise de patio en acier inoxydable Rhodes de mobilier d'extérieur-Ens. droit de pattes en teck	1
3	H00288A-01	91950	JCBC M8X80(boulon)	2
4	H00331A-01	91953	Tige filetée M6x50 mm	4
5	H00289A-01	91973	JCN M6X10(Écrou)	12
6	H00651A-01	91909	Manchon en acier inoxydable 30 mm	4
7	ODF-31.001A-01-XX	SO	Chaise de patio Lakeside de mobilier d'extérieur - Ens. de siège en teck et corde plate	1
8	ODF-31.002A-01-XX	SO	Chaise de patio Lakeside de mobilier d'extérieur - Ens. de dossier en teck et corde plate	1
9	ODF-21.006A-01	91985	Goupille en acier inoxydable 38mm	1
10	H00653A-01	91910	Manchon en acier inoxydable 47mm	2
11	ODF-49A-01-XX	SO	Coussin de dossier de chaise de patio de mobilier d'extérieur	1
12	ODF-52A-01-XX	SO	Coussin de siège de chaise de patio de mobilier d'extérieur	1
13	ODF-58A-01-XX	SO	Coussin décoratif de chaise de patio de mobilier d'extérieur	1
14	H00381A-01	91981	Capuchon en plastique dia. 8 mm	4
15	H00284A-01	91959	Patin de réglage M6X10 mm	4
18	H00652A-01	91911	JCBC M6X80(boulon)	4
19	H00506A-01	91954	Tige filetée M6x68 mm	2
20	ODF-31.003A-01	91987	Chaise de patio Lakeside de mobilier d'extérieur - Ens. en teck et corde plate	2

Pièces détachées - Plusieurs sièges



Rhodes - Sofa en teck

Article n°	N° de pièce	Pièce de rechange N° d'UGS :	Description	NOMENCLATURE QTÉ
1	ODF-30.001A-01-XX	SO	Chaise de patio en acier inoxydable Rhodes de mobilier d'extérieur-Ens. gauche de pattes en teck	1
2	ODF-30.002A-01-XX	SO	Chaise de patio en acier inoxydable Rhodes de mobilier d'extérieur-Ens. droit de pattes en teck	1
3	H00288A-01	91950	JCBC M8X80 (boulon)	4
4	H00331A-01	91953	Tige filetée M6x50 mm	12
5	H00289A-01	91973	JCN M6X10 (Erou)	24
6	H00651A-01	91909	Manchon en acier inoxydable 30 mm	8
7	ODF-30.003A-01-XX	SO	Chaise de patio Rhodes de mobilier d'extérieur - Ens. de siège en teck	2
8	ODF-30.004A-01-XX	SO	Chaise de patio Rhodes de mobilier d'extérieur - Ens. de dossier en teck	2
9	ODF-21.006A-01	91985	Goupille en acier inoxydable 38mm	2
10	H00650A-01	91908	Manchon en acier inoxydable 35mm	4
11	ODF-49A-01-XX	SO	Coussin de dossier de chaise de patio de mobilier d'extérieur	2
12	ODF-52A-01-XX	SO	Coussin de siège de chaise de patio de mobilier d'extérieur	2
13	ODF-58A-01-XX	SO	Coussin décoratif de chaise de patio de mobilier d'extérieur	2
14	H00381A-01	91981	Capuchon en plastique dia. 8 mm	8
15	H00284A-01	91959	Patin de réglage M6X10 mm	6
18	H00652A-01	91911	JCBC M6X80(boulon)	8
22	ODF-30.005A-01	SO	Chaise de patio en acier inoxydable Rhodes de mobilier d'extérieur-Ens. droit de pattes en teck communes	1

Rhodes - Sofa en aluminium-teck

Article n°	N° de pièce	Pièce de rechange N° d'UGS :	Description	NOMENCLATURE QTÉ
1	ODF-21.001A-01-XX	SO	Chaise de patio en aluminium Rhodes de mobilier d'extérieur-Ens. gauche de pattes en teck	1
2	ODF-21.002A-01-XX	SO	Chaise de patio en aluminium Rhodes de mobilier d'extérieur-Ens. droit de pattes en teck	1
3	H00288A-01	91950	JCBC M8X80(boulon)	4
4	H00331A-01	91953	Tige filetée M6x50 mm	12
5	H00289A-01	91973	JCN M6X10(Écrou)	24
6	H00651A-01	91909	Manchon en acier inoxydable 30 mm	8
7	ODF-21.003A-01	SO	Chaise de patio en alum. Rhodes de mobilier d'extérieur, ens. de siège en teck	2
8	ODF-21.004A-01	SO	Chaise de patio en alum. Rhodes de mobilier d'extérieur - Ens. de dossier en teck	2
9	ODF-21.006A-01	91985	Goupille en acier inoxydable 38mm	2
10	H00650A-01	91908	Manchon en acier inoxydable 35mm	4
11	ODF-49A-01-XX	SO	Coussin de dossier de chaise de patio de mobilier d'extérieur	2
12	ODF-52A-01-XX	SO	Coussin de siège de chaise de patio de mobilier d'extérieur	2
13	ODF-58A-01-XX	SO	Coussin décoratif de chaise de patio de mobilier d'extérieur	2
14	ODF-01.005A-01	91980	Capuchon en plastique dia. 8 mm-Noir	8
15	H00284A-01	91959	Patin de réglage M6X10 mm	6
16	H00453A-01	91968	Anneau ID10 X OD16 X 2 mm(Rondelle)	24
17	H00336A-01	91967	Anneau ID8 X OD16 X 2 mm(Rondelle)	4
18	H00652A-01	91911	JCBC M6X80(boulon)	8
21	H00455A-01	91952	Tige filetée M6x37 mm	4
22	ODF-21.005A-01-XX	SO	Chaise de patio en aluminium Rhodes de mobilier d'extérieur-Ens. de pattes en teck communes	1

Lakeside - sofa en corde et teck

Article n°	N° de pièce	Pièce de rechange N° d'UGS :	Description	NOMENCLATURE QTÉ
1	ODF-30.001A-01-XX	SO	Chaise de patio en acier inoxydable Rhodes de mobilier d'extérieur-Ens. gauche de pattes en teck	1
2	ODF-30.002A-01-XX	SO	Chaise de patio en acier inoxydable Rhodes de mobilier d'extérieur-Ens. droit de pattes en teck	1
3	H00288A-01	91950	JCBC M8X80(boulon)	4
4	H00331A-01	91953	Tige filetée M6x50 mm	8
5	H00289A-01	91973	JCN M6X10(Écrou)	24
6	H00651A-01	91909	Manchon en acier inoxydable 30 mm	8
7	ODF-31.001A-01-XX	SO	Chaise de patio Lakeside de mobilier d'extérieur - Ens. de siège en teck et corde plate	2
8	ODF-31.002A-01-XX	SO	Chaise de patio Lakeside de mobilier d'extérieur - Ens. de dossier en teck et corde plate	2
9	ODF-21.006A-01	91985	Goupille en acier inoxydable 38mm	2
10	H00653A-01	91910	Manchon en acier inoxydable 47mm	4
11	ODF-49A-01-XX	SO	Coussin de dossier de chaise de patio de mobilier d'extérieur	2
12	ODF-52A-01-XX	SO	Coussin de siège de chaise de patio de mobilier d'extérieur	2
13	ODF-58A-01-XX	SO	Coussin décoratif de chaise de patio de mobilier d'extérieur	2
14	H00381A-01	91981	Capuchon en plastique dia. 8 mm	8
15	H00284A-01	91959	Patin de réglage M6X10 mm	6
18	H00652A-01	91911	JCBC M6X80(boulon)	8
19	H00506A-01	91954	Tige filetée M6x68 mm	4
20	ODF-31.003A-01	91987	Chaise de patio Lakeside de mobilier d'extérieur - Ens. en teck et corde plate	4
22	ODF-30.005A-01	SO	Chaise de patio en acier inoxydable Rhodes de mobilier d'extérieur-Ens. droit de pattes en teck communes	1

Nettoyage et soins

Pièces en teck

- Enlevez les débris avec une brosse douce à poils de nylon
 - Nettoyez la surface à l'aide d'une éponge ou d'un chiffon humide avec de l'eau et du savon doux.
 - Absorbent l'excédent d'eau avec un chiffon en microfibre ou non pelucheux
 - Laissez le bois sécher naturellement
 - Pour aider à prévenir les taches sur les composants en teck, NewAge recommande d'appliquer le Teak Shield de Golden Care sur nos produits. Suivez les instructions d'application fournies avec Teak Shield.
- **Huilier régulièrement les pièces en teck peut aider à préserver leur aspect brun doré d'origine. Suivez les étapes ci-dessous avant de huiler :**
1. Mettez un chiffon ou un journal en dessous des pièces en teck pour recueillir les déversements. Mettez des gants pour éviter d'avoir de l'huile sur vos mains, ce qui pourrait irriter la peau.
 2. Nettoyez les pièces en bois avec de l'eau et du savon doux.
 3. Séchez les pièces en bois après les avoir nettoyées et laissez-les reposer de 24 à 36 heures pour qu'il n'y ait aucune humidité avant de procéder à l'application d'huile.
 4. Appliquez de l'huile pour teck à l'aide d'un pinceau ou d'un chiffon.
 5. Attendez quinze minutes, puis essuyez avec un chiffon.
 6. Réappliquez tous les 6 mois.

Pièces en aluminium à revêtement en poudre

- Nettoyez avec de l'eau et un détergent liquide doux pour enlever toute saleté ou éclaboussure.
- Un chiffon ou une éponge en microfibre doit être utilisé(e) pour essuyer les surfaces du meuble.
- L'élimination de l'eau de surface avec un chiffon sec permet d'éviter les taches d'eau.
- Évitez d'utiliser des produits ou des matériaux de nettoyage abrasifs, car ils pourraient marquer la surface de la peinture en poudre.
- Ce matériau peut être rayé, n'utilisez pas de laine d'acier ou de Scotchbrite sur les surfaces revêtues de poudre.

Pièces en acier inoxydable

- Lavez régulièrement l'évier avec de l'eau douce propre, un détergent doux et un chiffon en microfibre.
- Après avoir lavé, rincez avec de l'eau douce et essuyez la surface pour la sécher avec votre chiffon en n'oubliant pas d'aller dans le sens du grain sur l'acier inoxydable brossé.
- N'utilisez pas de nettoyant abrasif ou de tampon à récurer, indifféremment du type, car ils causeront une usure excessive et terniront le fini.
- Nous vous recommandons d'utiliser un nettoyant multi-surfaces ou un nettoyant pour acier inoxydable pour éliminer les taches.

Si vous observez une oxydation, vous devez suivre quelques étapes pour restaurer vos pièces en acier inoxydable à un état « comme neuf » :

- Appliquez de l'eau douce avec une éponge propre et frottez doucement dans la direction du grain.
- Si la marque ne disparaît pas, il pourrait être nécessaire d'utiliser un nettoyant pour acier inoxydable. Il suffit alors d'appliquer le nettoyant et de frotter doucement.
- Après le nettoyage, il est important de rincer l'acier inoxydable avec de l'eau douce propre et de frotter avec un chiffon doux.
- N'oubliez pas de toujours frotter dans le sens du grain, JAMAIS de travers, car cela ruinera le fini et l'acier inoxydable pourrait perdre son lustre. Si vous devez utiliser un tampon à récurer, utilisez-en un en plastique et ne contenant aucun métal.

NEWAGE PRODUCTS INC. GARANTIE DU FABRICANT DE MEUBLES D'EXTÉRIEUR

UNE PREUVE D'ACHAT EST REQUISE

POUR OBTENIR UN SERVICE SOUS GARANTIE.

Veillez avoir les renseignements suivants lorsque vous appelez notre équipe du service à la clientèle :

- Le nom, l'adresse et le numéro de téléphone
- Le nom du produit / numéro d'UGS
- Une description claire et détaillée du problème
- Une preuve d'achat, y compris un numéro de commande

Enregistrez votre achat de produits NewAge en ligne pour obtenir une assistance à la clientèle plus rapide et un accès à des avantages exclusifs

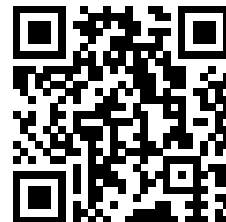
Visitez www.newageproducts.com/register/

Réclamation sous garantie

Pour un service sous garantie, veuillez contacter NewAge Products au **1 877-306-8930**; ou support@newageproducts.com

Veillez examiner tous les détails de la garantie ci-dessous avant de contacter NewAge Products pour une réclamation.

Balayez le code à barres 2D à droite pour accéder à la page d'assistance ou visitez le www.newageproducts.com/contact-us/



Balayez ce code à barres 2D avec la caméra de votre téléphone mobile pour visiter le Centre d'assistance de NewAge Products www.newageproducts.com/support-hub/

CE QUI EST COUVERT

Pendant la durée de la garantie à compter de la date d'achat, lorsque ce produit est installé, utilisé et entretenu conformément aux instructions fournies, NewAge Products Inc. remplacera les pièces ou le produit défectueux, si le bris provient d'un défaut de matériau ou de fabrication.

CE QUI N'EST PAS COUVERT

1. Les appels de service pour corriger l'installation de tout produit NewAge ou pour vous montrer comment l'utiliser ou l'installer.
2. Les dommages causés par une manutention inadéquate du produit, ou des produits endommagés par un accident, une mauvaise utilisation, un abus, un incendie, une inondation, une installation inadéquate, un cas fortuit, une négligence, la corrosion, une modification ou une mauvaise manipulation.
3. Les produits endommagés en raison d'une charge supérieure au poids maximum précisé dans les instructions fournies avec le produit.
4. Les réparations ou le remplacement lorsque votre produit est utilisé pour un autre usage que celui d'un ménage unifamilial normal, comme un milieu commercial, ou portatif d'une manière incohérente avec les instructions d'installation comprises avec le produit.
5. Les dommages cosmétiques, y compris les éraflures, les marques, les entailles ou les fissures dans la peinture qui n'affectent pas la capacité fonctionnelle ou structurelle du produit.
6. Les surfaces endommagées en raison d'une interaction chimique entraînant la corrosion de la peinture ou du métal.
7. Les pièces de rechange pour des produits NewAge à l'extérieur du Canada et des États-Unis.
8. La perte des produits y étant contenue en raison d'un vol, d'un incendie, d'une inondation, d'un accident ou de cas fortuits.
9. Les frais d'expédition ou de transport pour livrer les produits de rechange ou pour retourner des produits défectueux.
10. Tout coût de main-d'œuvre pendant la période de garantie limitée.

NEWAGE PRODUCTS INC. GARANTIE DU FABRICANT DE MEUBLES D'EXTÉRIEUR

GARANTIE LIMITÉE D'UN AN

CADRES TISSÉS (CORDE PLATE ET OSIER)

La garantie NewAge couvre la corde plate et l'osier tressé sur les cadres pendant 1 AN. Si le tissage en résine tissé à la main se brise ou se détériore structurellement, ou si le tissage se décolore excessivement ou se décolore dans un délai d'un an à compter de la date d'achat, nous remplacerons, réparerons ou refinirons, à notre discrétion, le produit dans la couleur et le style originaux, si disponibles, ou dans une couleur et un style similaires, si l'original n'est plus disponible. **LE TISSAGE NE SERA PAS GARANTI SI LA DÉTÉRIORATION, DÉCOLORATION, ETC. EST DUE À DES PRODUITS CHIMIQUES, DES PRODUITS DE NETTOYAGE AUTRES QUE CEUX SPÉCIFIÉS, DES LOTIONS SOLAIRES ET AUTRES, À UNE UTILISATION DANS DES ENVIRONNEMENTS COMMERCIAUX, À UNE CHALEUR EXTRÊME OU AU RAYONNEMENT SOLAIRE.**

COUSSINS ET TISSU

La garantie NewAge couvre tous les coussins et tissus pendant 1 AN. Si votre coussin ou votre tissu devient inutilisable en raison d'une perte de couleur ou de résistance due à une utilisation et à des conditions d'exposition normales, y compris la lumière du soleil, la moisissure et les produits chimiques atmosphériques, dans l'année qui suit la date d'achat, NewAge réparera ou remplacera le tissu dans la couleur et le motif d'origine s'ils sont disponibles, ou dans une couleur et un motif similaires si l'original n'est plus disponible. Toute défaillance au niveau des coutures, de la mousse des coussins, de la monture/du mât du parasol ou de tout autre élément de fabrication sera garantie pendant 1 AN. **CETTE GARANTIE NE COUVRE PAS L'ENTRETIEN ET LE NETTOYAGE NORMAUX, LES DOMMAGES RÉSULTANT D'UNE MAUVAISE UTILISATION OU D'UN ABUS, D'UNE INSTALLATION INCORRECTE, OU LES COÛTS ASSOCIÉS AU REMPLACEMENT DU TISSU, Y COMPRIS LA MAIN-D'ŒUVRE ET L'INSTALLATION. LE TISSU NE SERA PAS GARANTI SI LA DÉTÉRIORATION, DÉCOLORATION, ETC. EST DUE À DES PRODUITS CHIMIQUES, DES PRODUITS DE NETTOYAGE, DES LOTIONS SOLAIRES ET AUTRES, À UNE UTILISATION EN MILIEU COMMERCIAL, À UNE CHALEUR EXTRÊME OU AU RAYONNEMENT SOLAIRE.**

GARANTIE LIMITÉE DE TROIS ANS

CADRES EN ACIER INOXYDABLE ET EN ALUMINIUM THERMOLAQUÉ

La garantie NewAge couvre les cadres en aluminium et en acier inoxydable pendant 3 ANS. Si votre cadre NewAge présente une défaillance structurelle lors d'une utilisation normale dans les trois ans, NewAge réparera ou remplacera le cadre du mobilier d'extérieur. à la discrétion du fabricant (avec le même produit ou un produit similaire s'il est discontinué). De temps en temps, il peut y avoir des variations mineures dans la couleur et la texture des finitions. **LA PRÉSENTE GARANTIE NE COUVRE PAS SPÉCIFIQUEMENT CES VARIATIONS MINEURES DE COULEUR ET DE TEXTURE DES FINITIONS.**

CADRES EN TECK

La garantie NewAge couvre les cadres des meubles en teck pendant 3 ANS. Si votre cadre NewAge présente une défaillance structurelle lors d'une utilisation normale dans les 3 ans, NewAge réparera ou remplacera le cadre du mobilier d'extérieur. à la discrétion du fabricant (avec le même produit ou un produit similaire s'il est discontinué). Cette garantie n'est valable que si le teck est entretenu correctement selon les instructions fournies dans le guide d'installation. Les variations naturelles du bois ne sont pas prises en compte. De temps en temps, il peut y avoir des variations dans la couleur et la texture des finitions. **LA GARANTIE NE COUVRE SPÉCIFIQUEMENT PAS LES VARIATIONS MINEURES DE COULEUR ET DE TEXTURE DES FINITIONS. LES ÉLÉMENTS TELS QUE LES PATTES DE CHAISE SONT SUJETS À L'USURE ET NE SONT PAS CONSIDÉRÉS COMME FAISANT PARTIE DU CADRE.**

EXCLUSION DE GARANTIES IMPLICITES

DANS LA MESURE PERMISE, LES GARANTIES IMPLICITES, Y COMPRIS LES GARANTIES APPLICABLES DE QUALITÉ MARCHANDE OU DE CONFORMITÉ À UN USAGE PARTICULIER, SONT EXCLUES DANS LA LIMITE OÙ LA LOI LE PERMET. TOUTE GARANTIE IMPLICITE QUI POURRAIT ÊTRE IMPOSÉE PAR LA LOI DOIT SE LIMITER À UN AN, OU À LA PÉRIODE LA PLUS COURTE PERMISE PAR LA LOI. CETTE GARANTIE SE LIMITE À L'ACHETEUR D'ORIGINE. Certains États ainsi que certaines provinces ne permettent pas les limitations sur la durée d'une garantie implicite de qualité marchande ou de conformité, il est donc possible que les limitations ci-dessus ne s'appliquent pas à vous. Cette garantie vous donne des droits légaux particuliers et vous pourriez également disposer d'autres droits variant selon l'État ou la province.

LIMITATION DES RECOURS; EXCLUSION DES DOMMAGES ACCESSOIRES ET INDIRECTS

EN VERTU DE CETTE GARANTIE LIMITÉE, VOTRE SEUL ET UNIQUE RECOURS DOIT ÊTRE LA RÉPARATION OU LE REMPLACEMENT DU PRODUIT, À NOTRE DISCRÉTION, COMME INDIQUÉ AUX PRÉSENTES. NEWAGE NE DOIT PAS ÊTRE TENU RESPONSABLE DES DOMMAGES ACCESSOIRES ET INDIRECTS. Certains États ainsi que certaines provinces ne permettent pas l'exclusion ou la limitation des dommages accessoires ou indirects, il est par conséquent possible que ces limitations et exclusions ne s'appliquent pas à vous. Cette garantie vous donne des droits légaux particuliers et vous pourriez également disposer d'autres droits variant selon l'État ou la province.