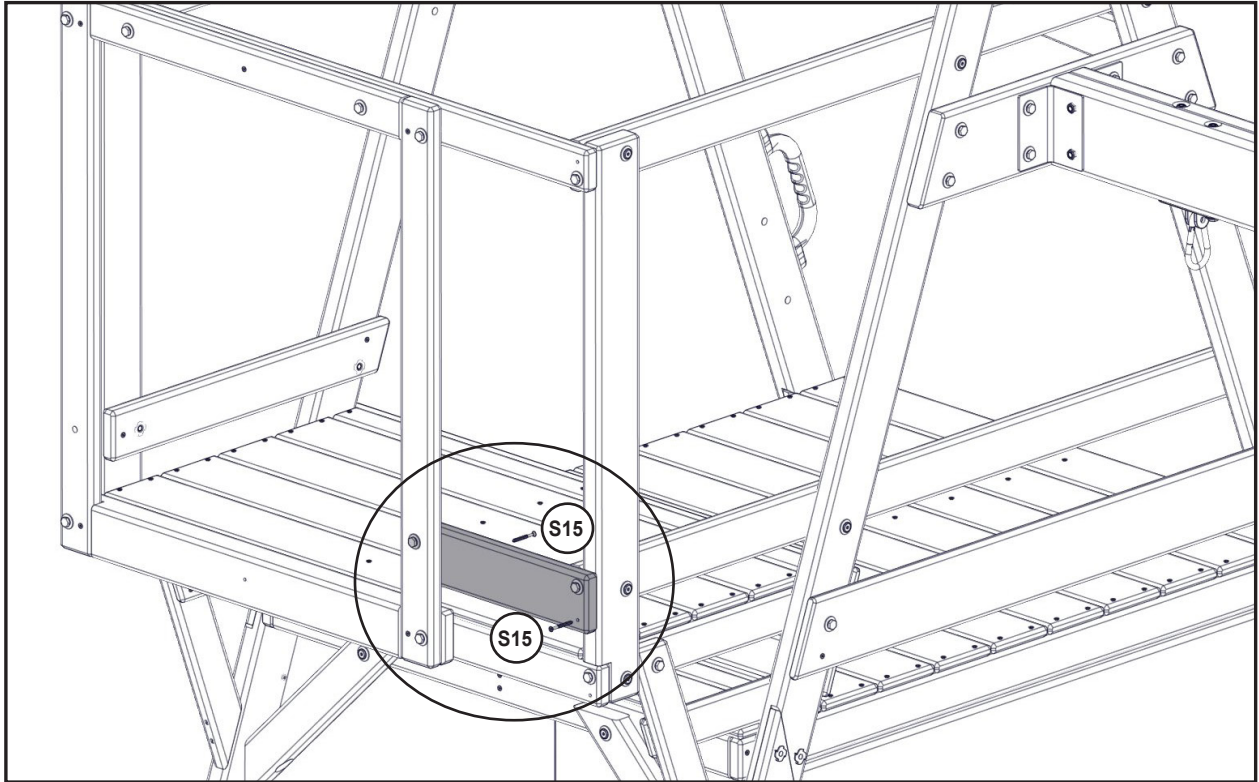
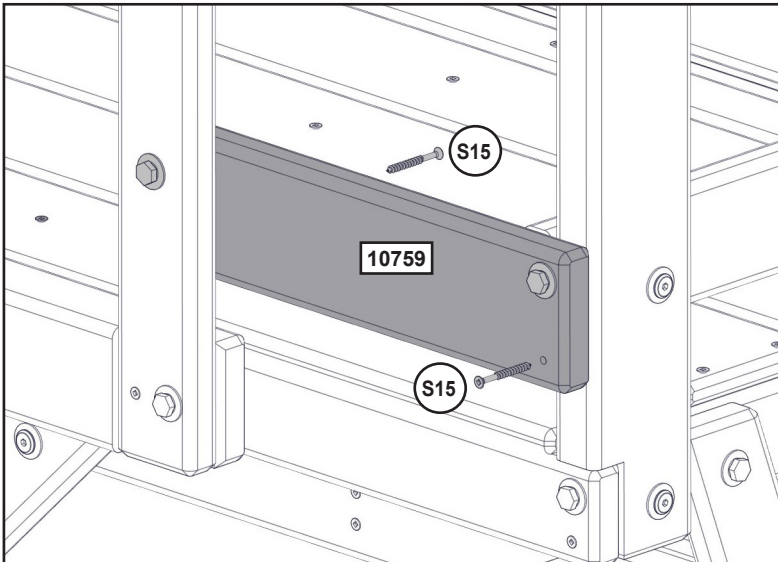


72

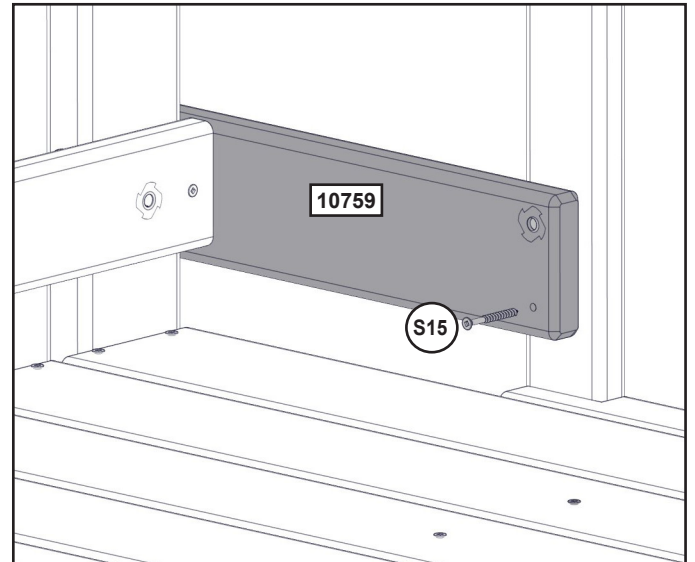
Note: Structure partly removed for clarity.



Outside View



Rotated Interior view



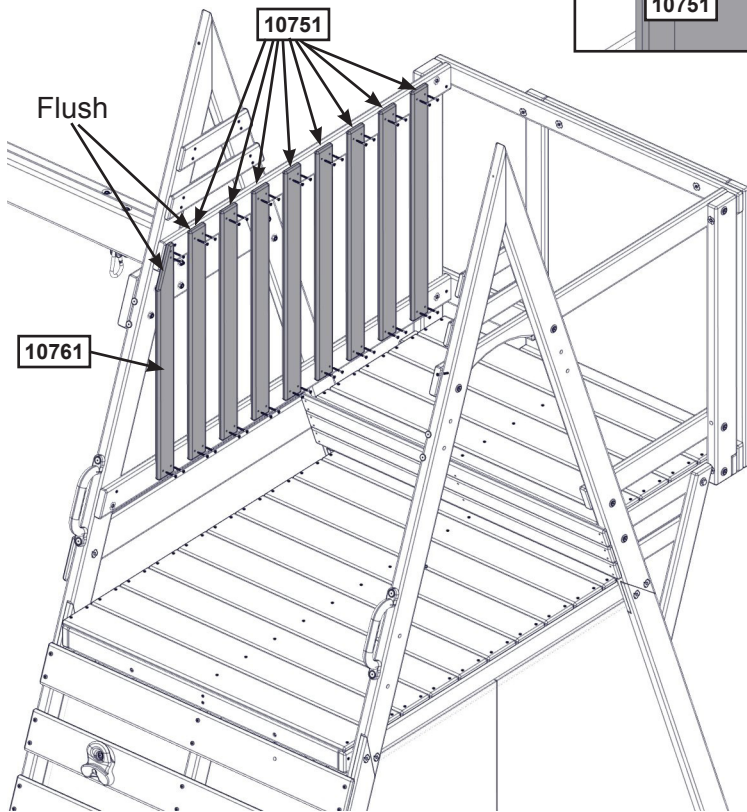
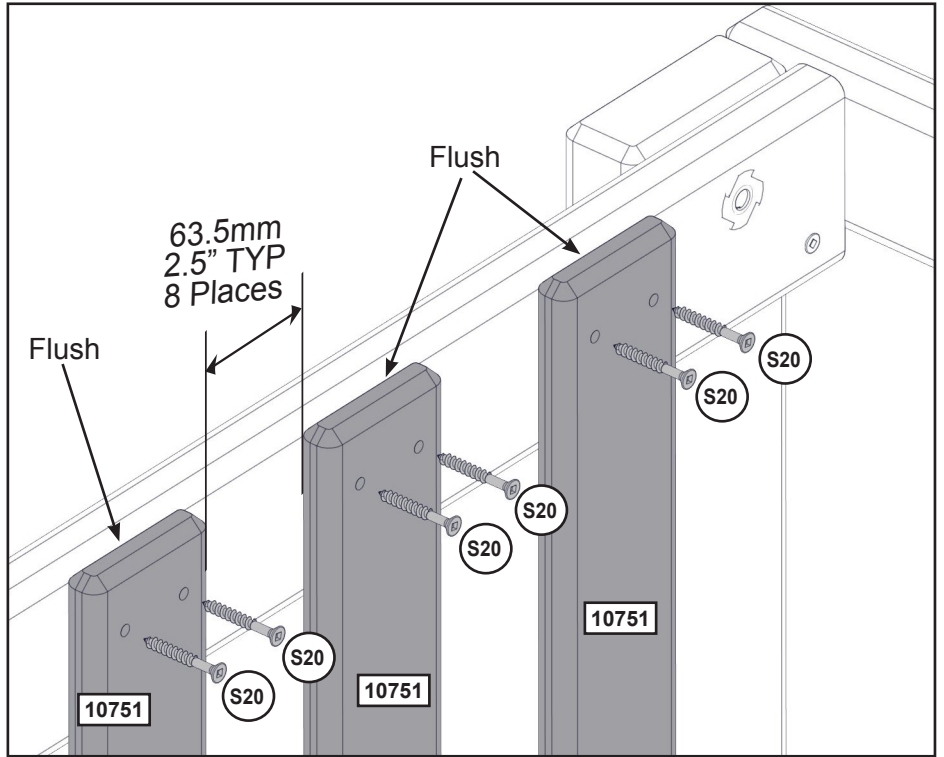
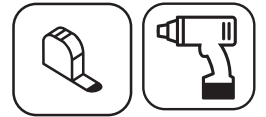
Hardware

2 x **S15** #8 x 44.5mm (#8 x 1-3/4")



73

Note: Structure partly removed for clarity.



Wood Parts

- 8 x 10751 15.9 x 63.5 x 700 mm (5/8" X 2 1/2" X 27 9/16")
- 1 x 10761 15.9 x 63.5 x 700 mm (5/8" X 2 1/2" X 27 9/16")

Hardware

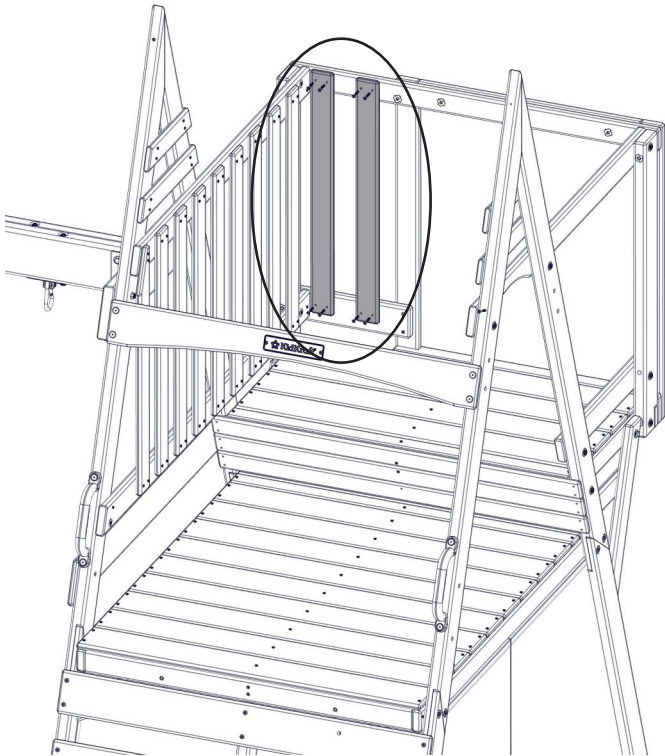
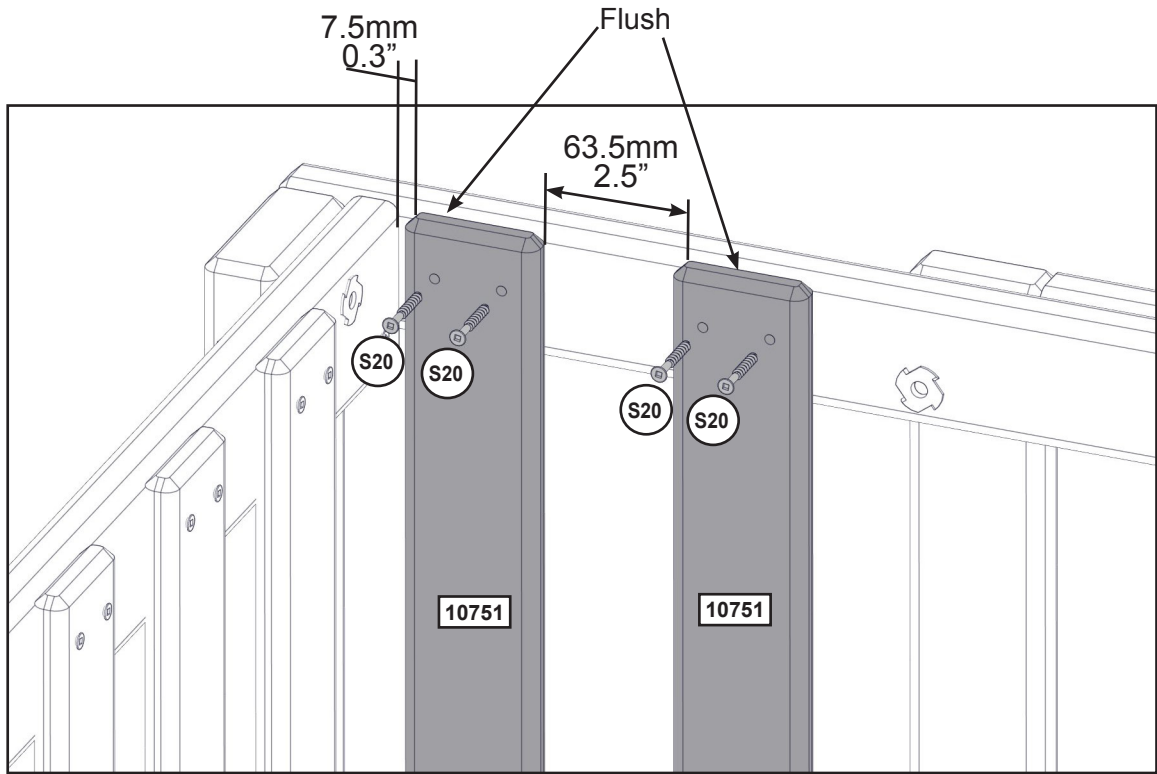
- 36 x S20 #8 x 34.9mm (#8 x 1-3/8")



parts.kidkraft.com

customerservice@kidkraft.com
1.800.933.0771
972.385.0100

Note: Structure partly removed for clarity.



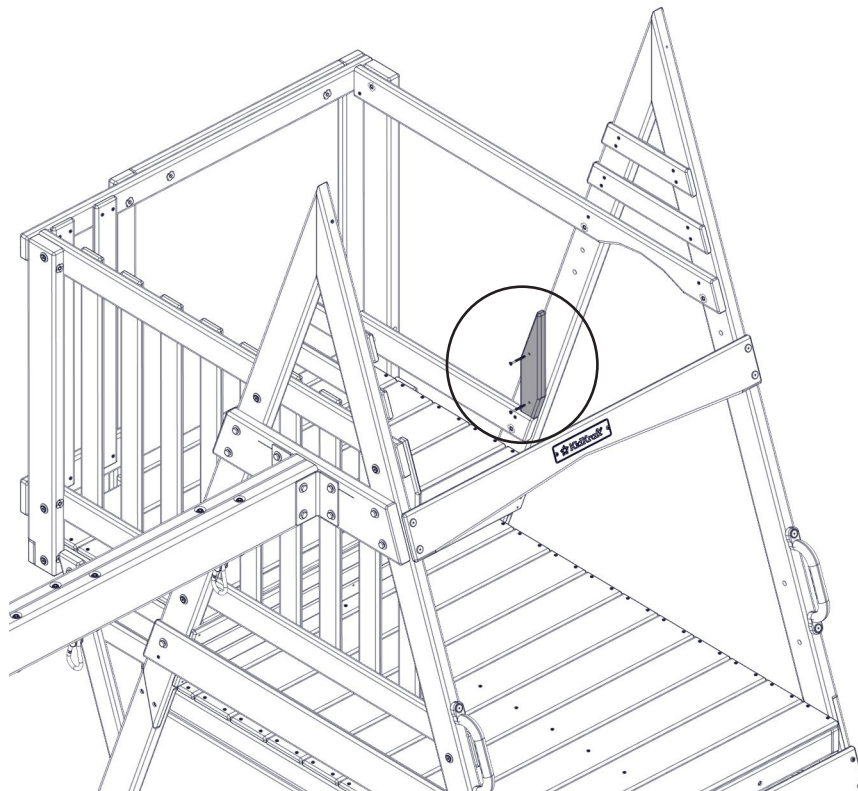
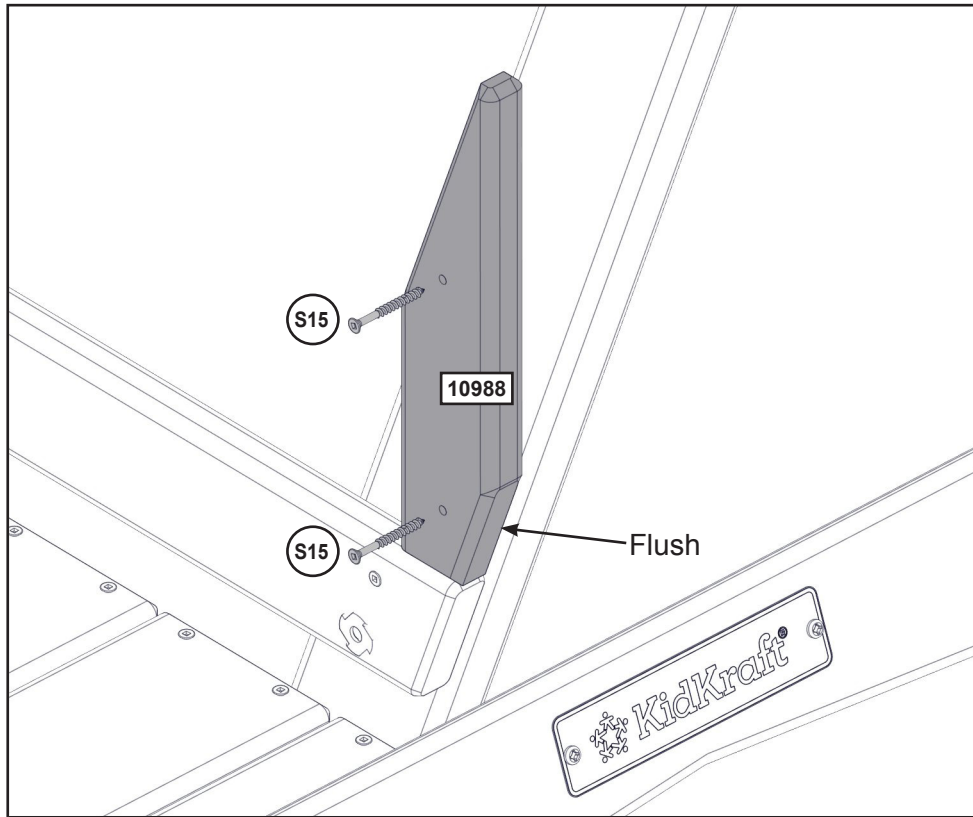
Wood Parts

2 x **10751** 15.9 x 63.5 x 700 mm (5/8" X 2 1/2" X 27 9/16")

Hardware

8 x **S20** #8 x 34.9mm (#8 x 1-3/8")



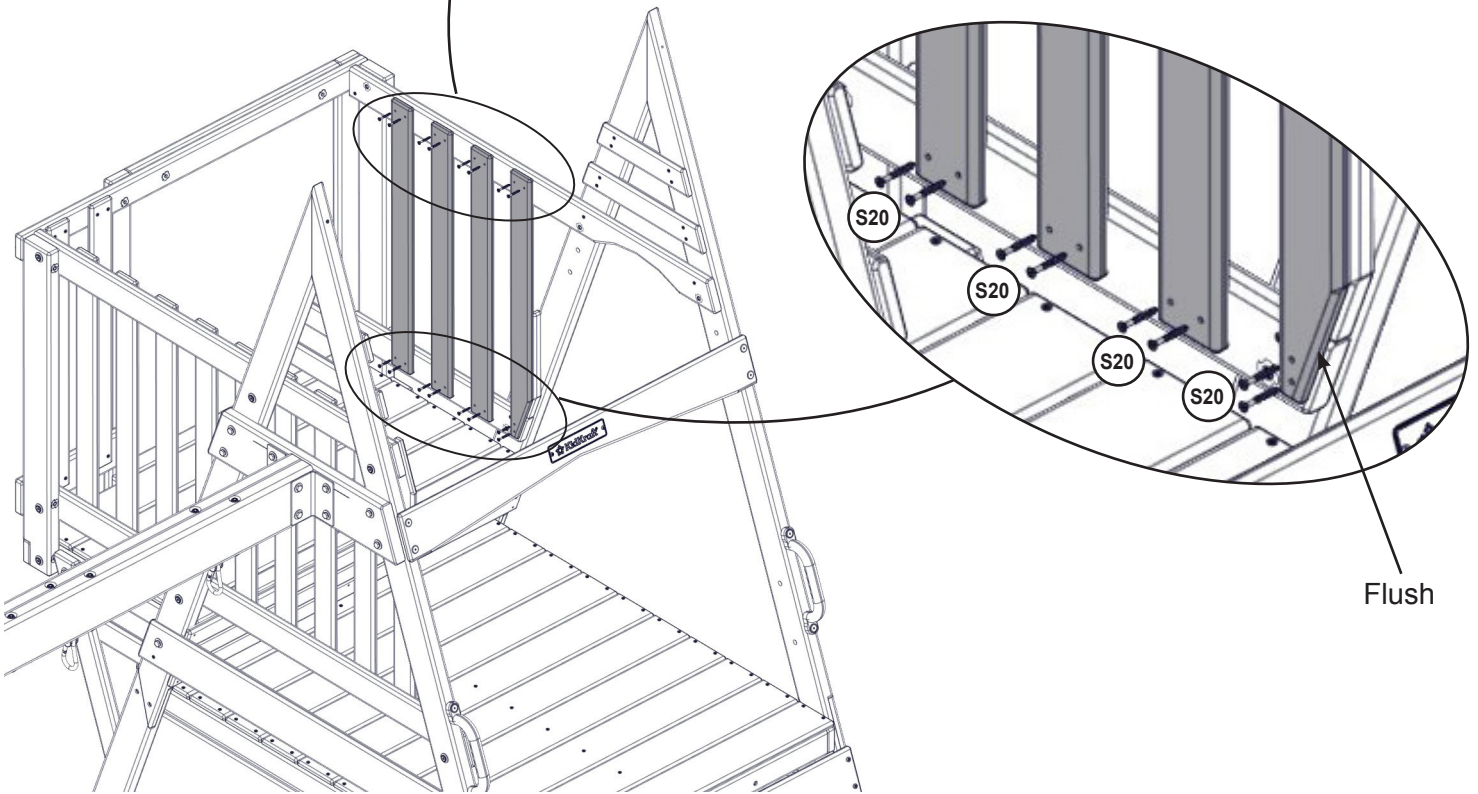
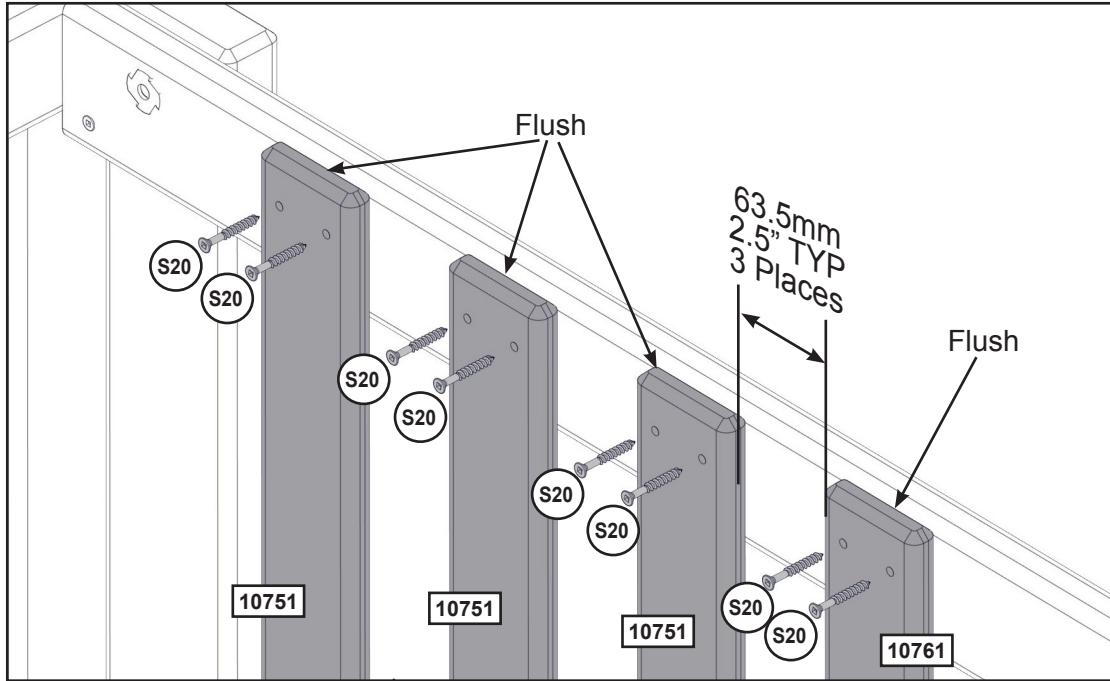
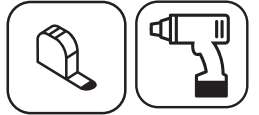


Wood Parts

1 x **10988** 23.8 x 63.5 x 285 mm (15/16" x 2 1/2" x 11 1/4")

Hardware

2 x **S15** #8 x 44.5mm (#8 x 1-3/4")



Wood Parts

- 3 x **10751** 15.9 x 63.5 x 700 mm (5/8" X 2 1/2" X 27 9/16")
- 1 x **10761** 15.9 x 63.5 x 700 mm (5/8" X 2 1/2" X 27 9/16")

Hardware

- 16 x **(S20)** #8 x 34.9mm (#8 x 1-3/8")

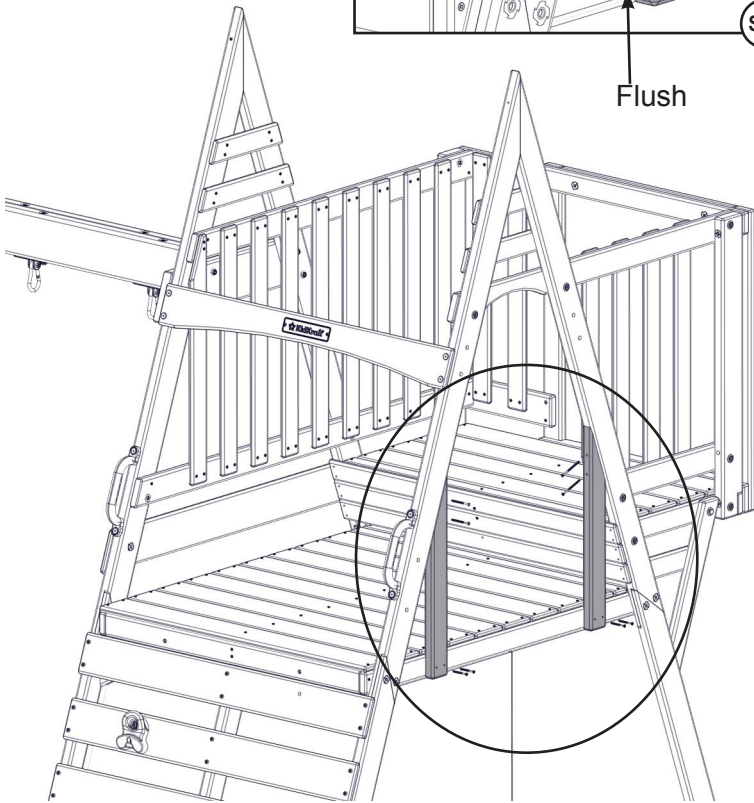
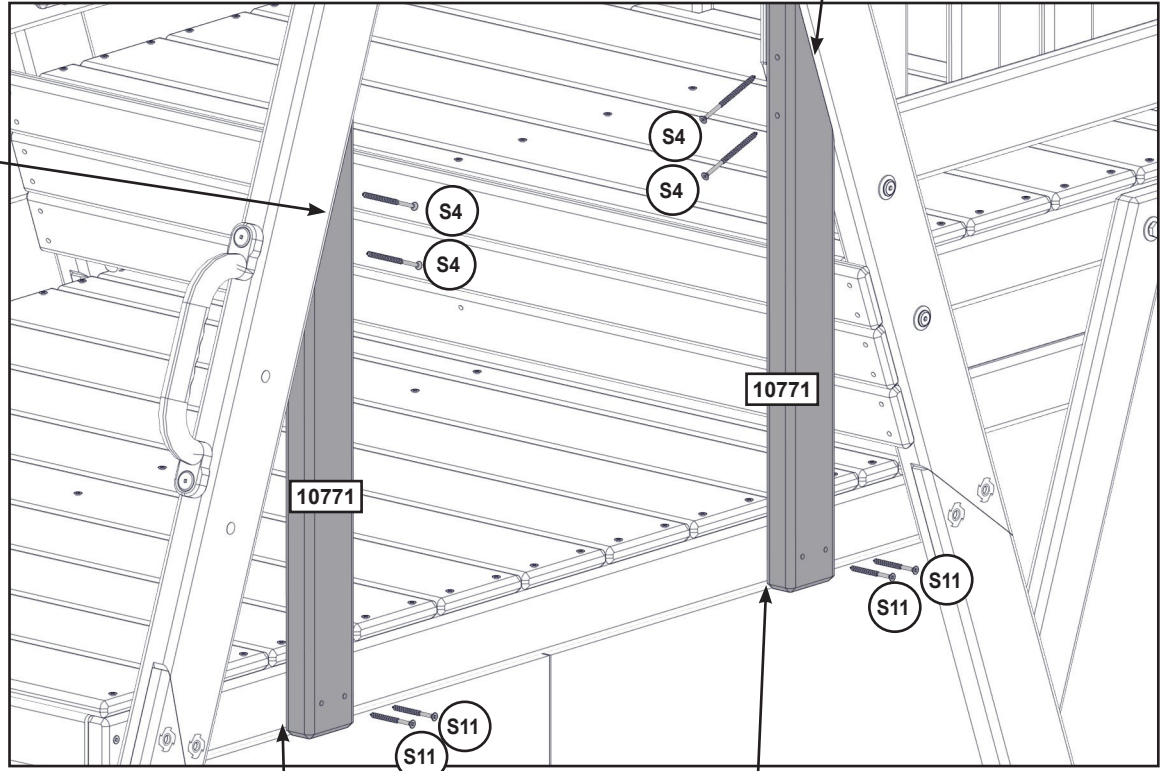
europecustomerservice@kidkraft.com
 +31 20 305 8620
 M-F from 09:00 to 17:30 (GMT+1)

parts.kidkraft.eu



77

Note: Structure partly removed for clarity.



Wood Parts

2 x 10771 31.8 x 63.5 x 577.3 mm (1 1/4" x 2 1/2" x 22 3/4")

Hardware

4 x S4 #8 x 76.2mm (#8 x 3")

4 x S11 #8 x 50.8mm (#8 x 2")

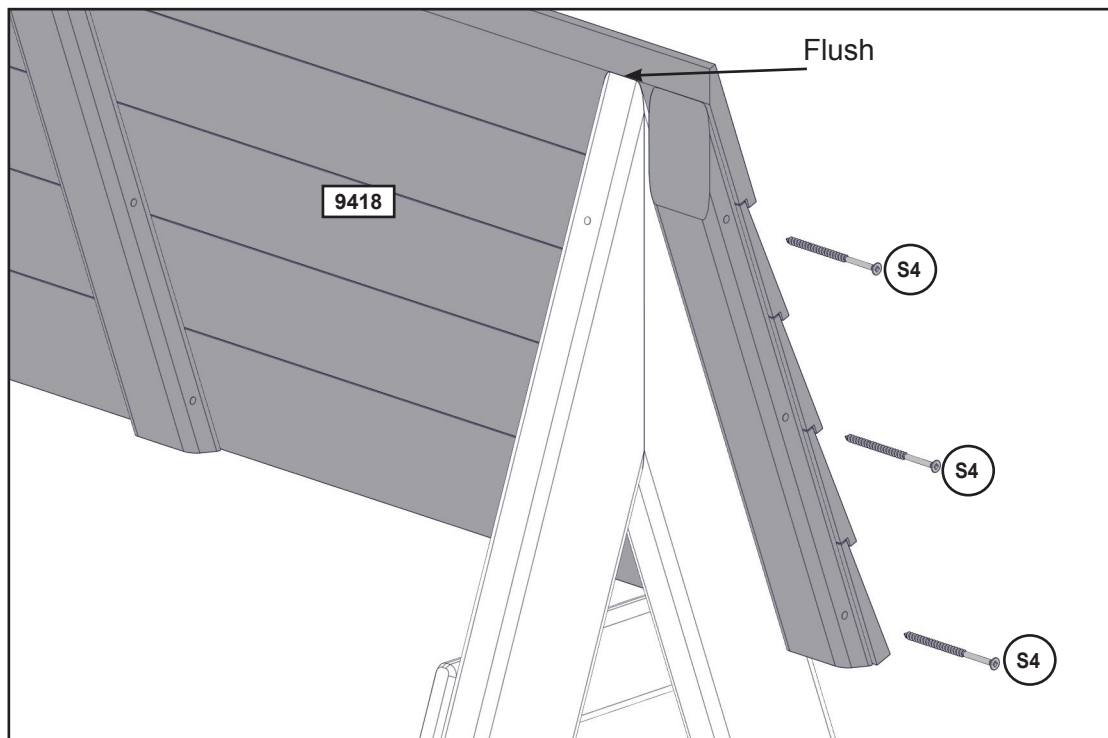
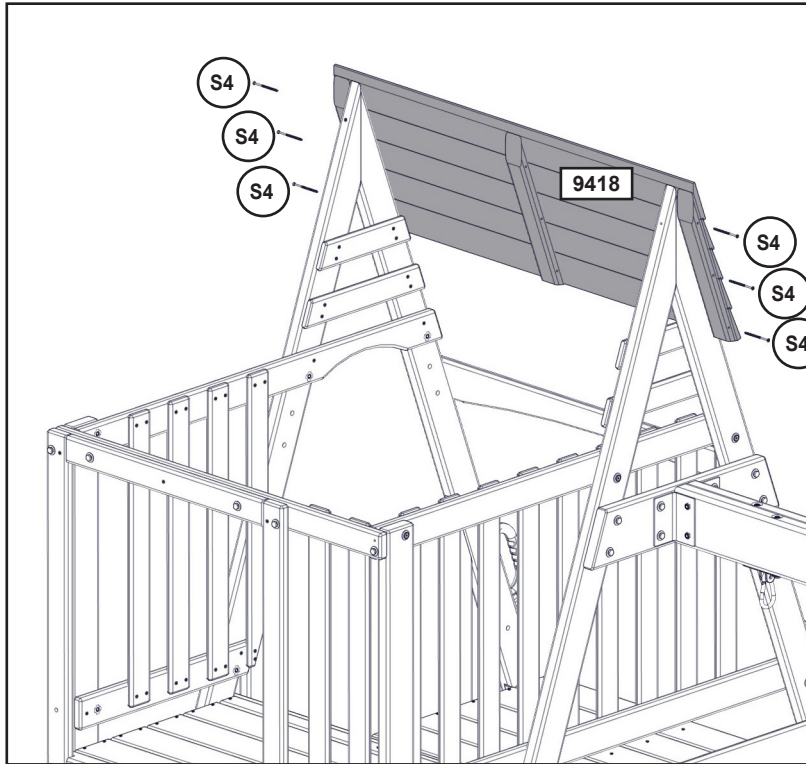


parts.kidkraft.com

customerservice@kidkraft.com
1.800.933.0771
972.385.0100

78

Note: Structure partly removed for clarity.



Wood Parts

1 x 9418 38.1 x 435.6 x 1140.6 mm (1 1/2" x 17 1/8" x 44 7/8")

Hardware

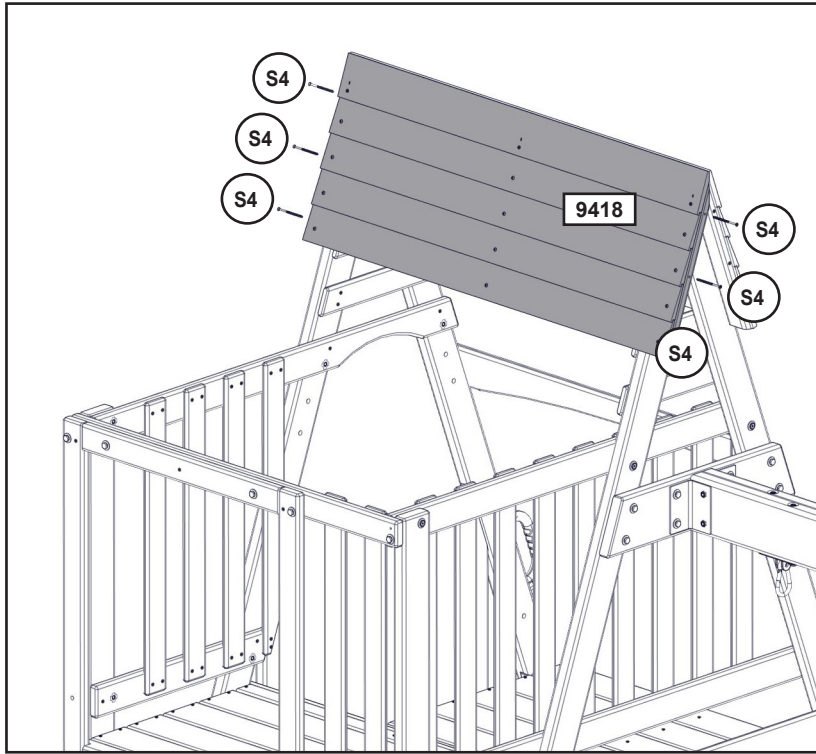
6 x S4 #8 x 76.2mm (#8 x 3")

europecustomerservice@kidkraft.com
 +31 20 305 8620
 M-F from 09:00 to 17:30 (GMT+1)

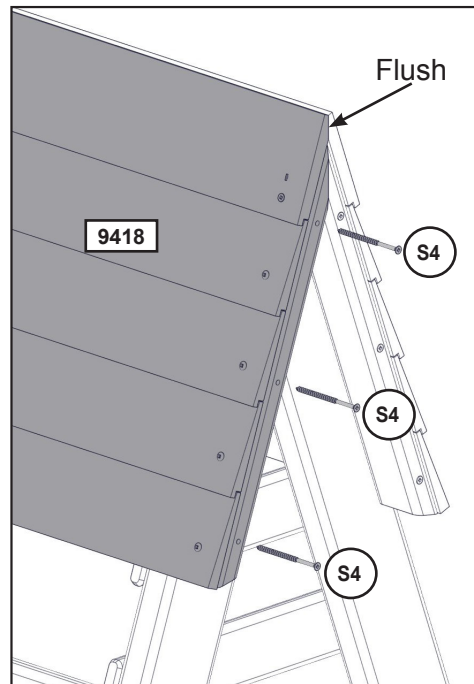
parts.kidkraft.eu



79 Note: Structure partly removed for clarity.



Outside View

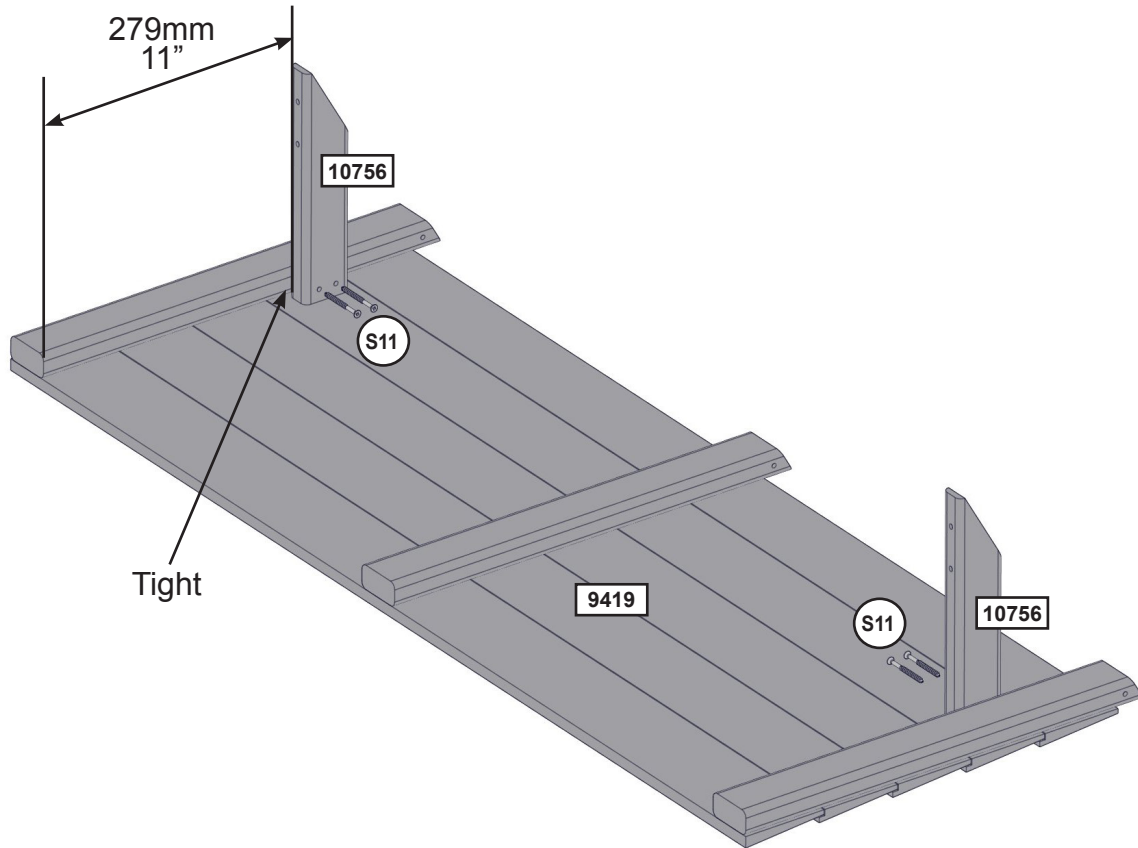


Wood Parts

1 x **9418** 38.1 x 435.6 x 1140.6 mm (1 1/2" x 17 1/8" x 44 7/8")

Hardware

6 x **S4** #8 x 76.2mm (#8 x 3")



Wood Parts

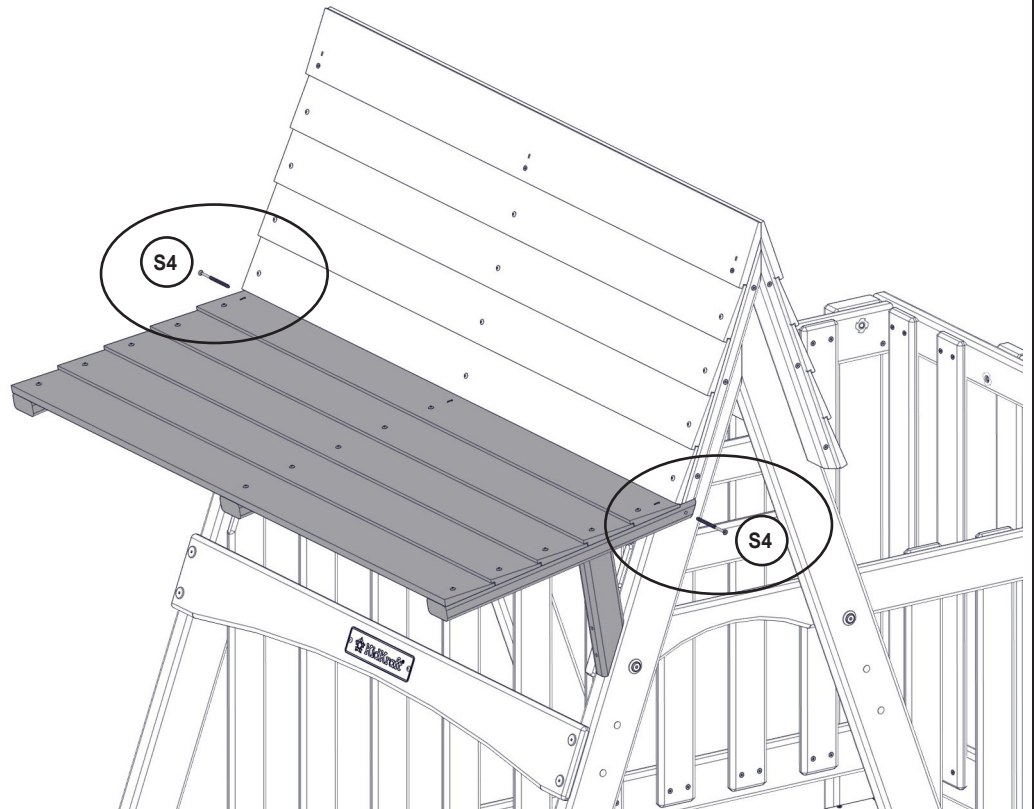
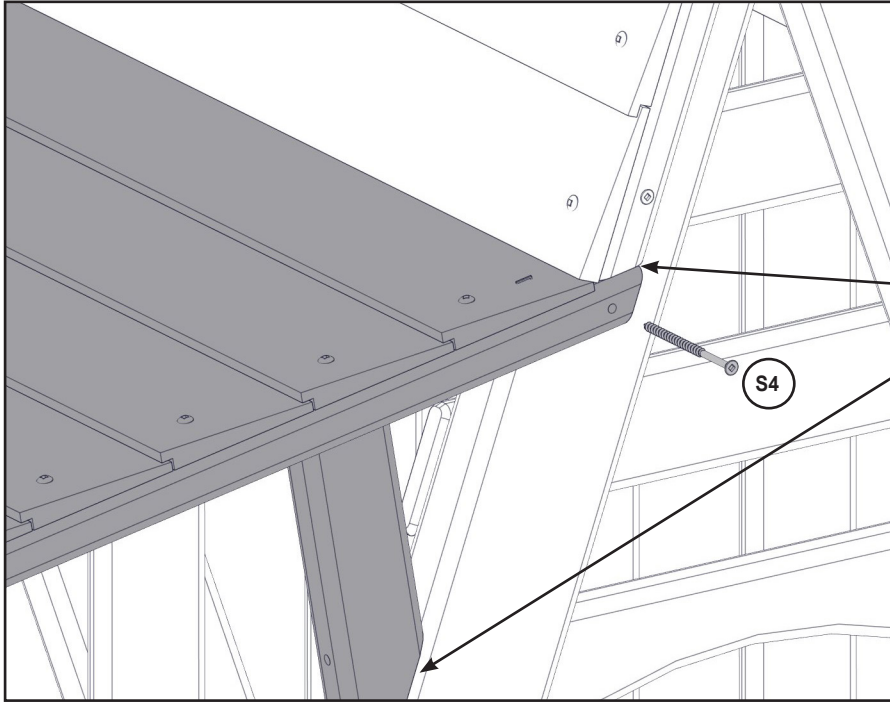
- 1 x 9419 38.1 x 453 x 1140.6 mm (1 1/2" x 17 13/16" x 44 7/8")
- 2 x 10756 25.4 x 50.8 x 240 mm (1" X 2" X 9 7/16")

Hardware

- 4 x S11 #8 x 50.8mm (#8 x 2")



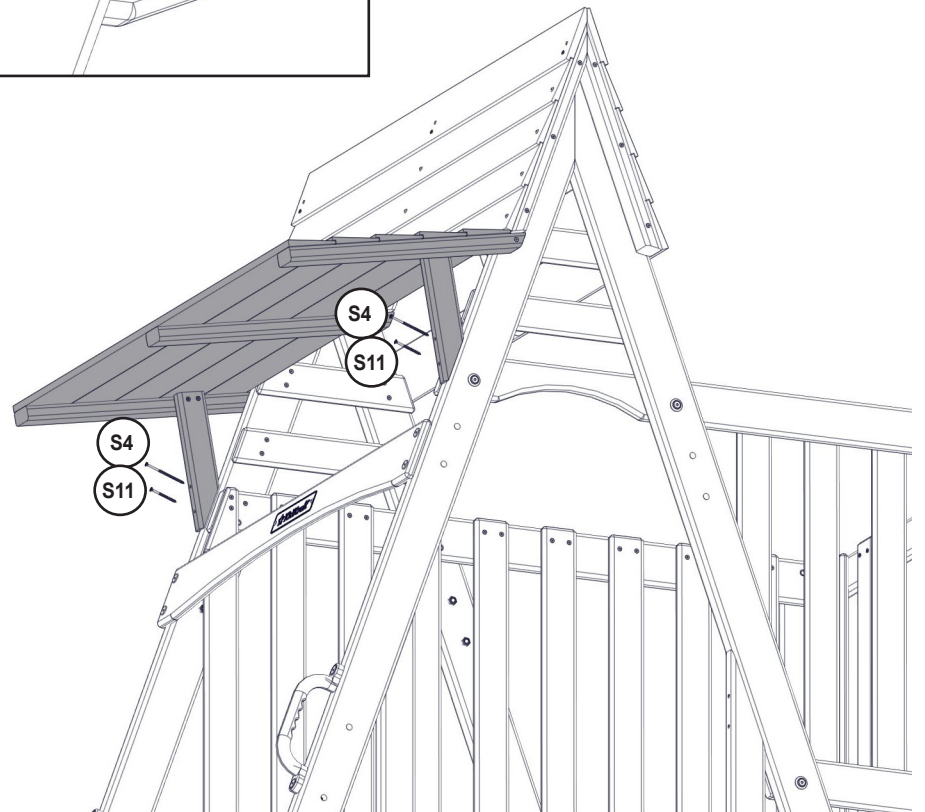
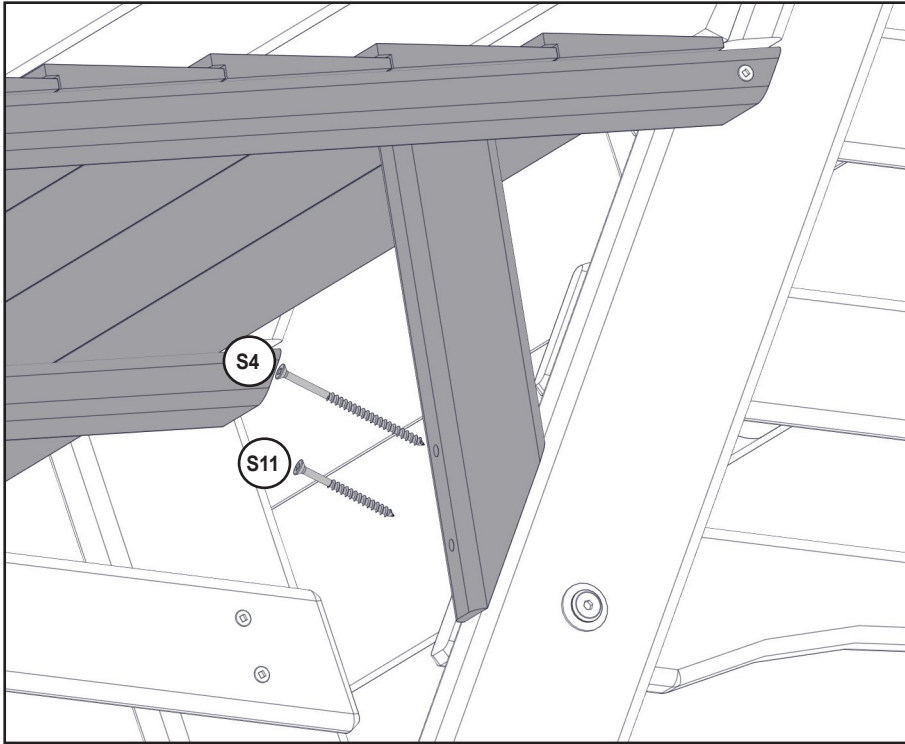
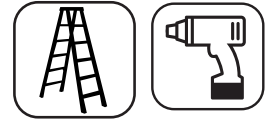
81 Note: Structure partly removed for clarity.



Hardware

2 x  #8 x 76.2mm (#8 x 3")

82 Note: Structure partly removed for clarity.



Hardware

2 x **S4** #8 x 76.2mm (#8 x 3")

2 x **S11** #8 x 50.8mm (#8 x 2")

europecustomerservice@kidkraft.com
+31 20 305 8620
M-F from 09:00 to 17:30 (GMT+1)

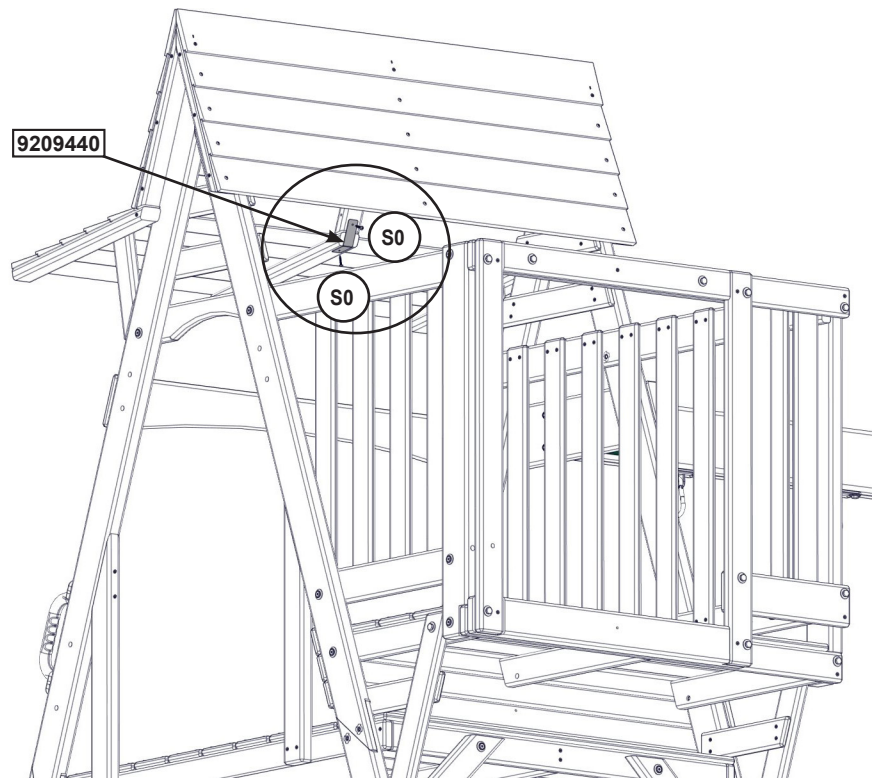
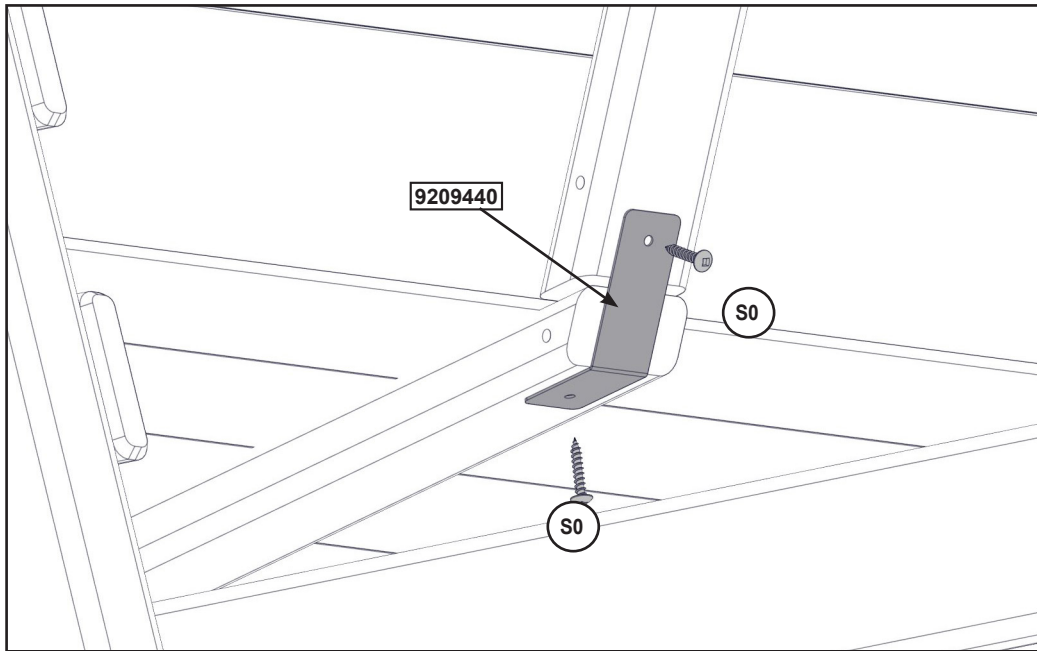
parts.kidkraft.eu



83 Note: Structure partly removed for clarity.




Inside and underneath view



Hardware

2 x  #8 x 22.2mm (#8 x 7/8")

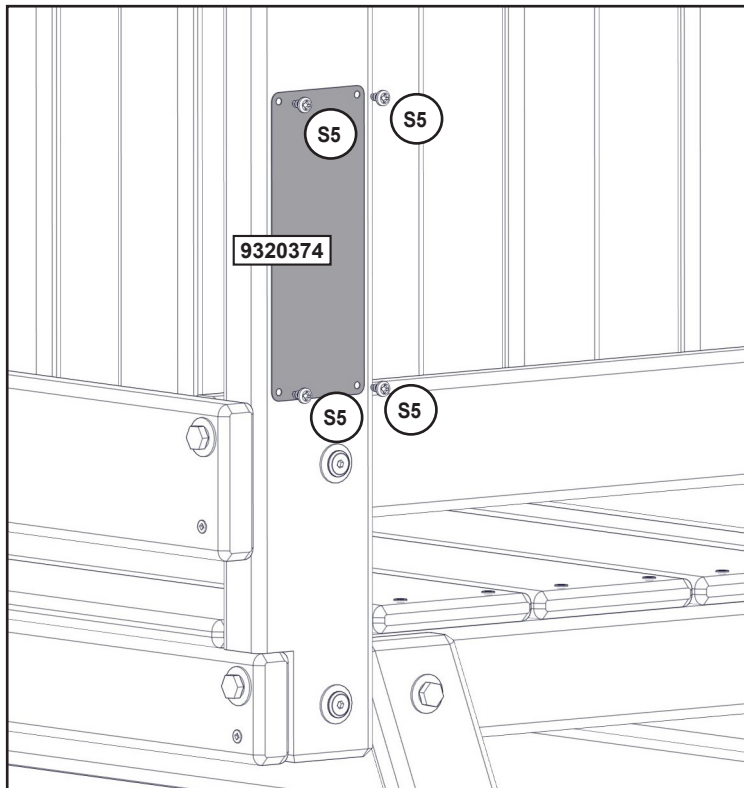
Other Parts

1 x 

84

ATTACH THIS WARNING & I.D. PLAQUE TO THIS LOCATION ON YOUR PLAY EQUIPMENT!

This provides warnings concerning safety and important contact information. A Tracking Number is provided to allow you to get critical information or order replacement parts for this specific model.



WARNING
AVERTISSEMENT

CONTINUOUS ADULT SUPERVISION REQUIRED!

STRANGULATION HAZARDS
 Never allow children to play with ropes, clotheslines, pot leashes, cables, chains or cord-like items when using this playset or to attach these items to play-set.
 Never allow children to wear loose fitting clothing, ponchos, hoods, scarves, capes, necklaces, or items with draw-strings, cords or ties when using this play-set.
 Never allow children to wear bike or sport helmets when using this play-set.
 Failure to prohibit these items increases the risk of serious injury and death to children from entanglement and strangulation.

SERIOUS HEAD INJURY HAZARD
 Maintain shock absorbing material under and around play-set as recommended in the Installation & Operating Instructions. Installation over concrete, asphalt, dirt, grass, carpet and other hard surfaces creates a risk of serious injury or death from falls to the ground.

SURVEILLANCE CONSTANTE D'ADULTES REQUISE!

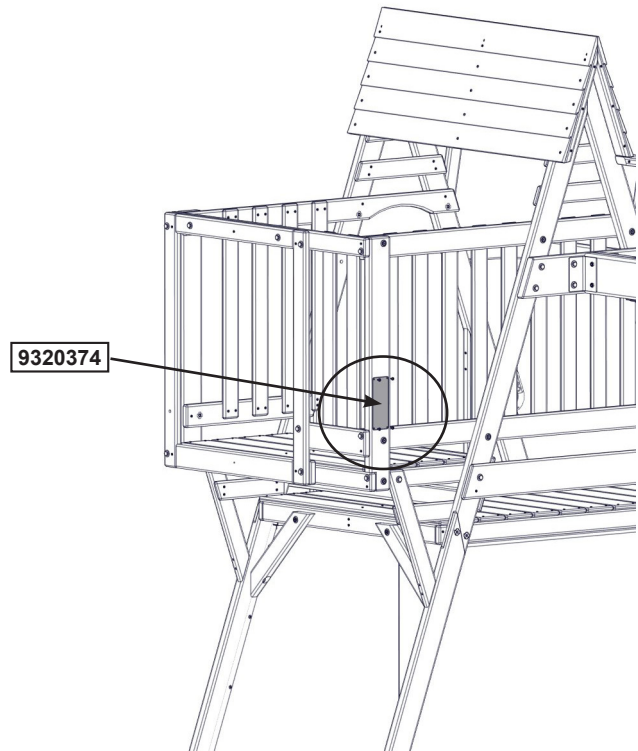
Risques d'étranglement
Ne jamais laisser les enfants jouer avec des cordes, cordes à linge, laisses pour animaux, des câbles, des chaînes ou ce type d'articles pendant l'utilisation de ce centre de jeu ou attacher un de ces éléments à la structure.
Ne jamais laissez les enfants porter des vêtements amples, des ponchos, des capuchons, des foulards, des capes, des colliers ou des articles avec cordons ou cordes libres pendant l'utilisation de ce centre de jeu.
Ne jamais laissez les enfants porter un casque de vélo ou de sport quand ils utilisent ce centre de jeu.
 Ne pas respecter ces consignes augmente le risque de blessures graves ou de décès des enfants par enchevêtrement ou étranglement.

RISQUE DE BLESSURES GRAVES À LA TÊTE
 Entretien le matériel d'absorption des chocs sous et autour de la structure de jeu tel que recommandé dans les instructions d'installation. L'installation sur du béton, de l'asphalte, le sol, l'herbe, le tapis et autres surfaces dures crée un risque de blessure à la tête grave ou mortelle en cas de chute.

THIS PRODUCT IS INTENDED FOR USE BY CHILDREN FROM AGES 3 TO 10; weight limit of 110 lbs. per child. Maximum number of users, Installation & Operating Instructions; other information is available at:
 POUR LES ENFANTS DE 3 À 10 ANS D'ÂGE; limite de 110 Livres par enfant. Nombre maximum d'utilisateurs, Installation et d'utilisation; d'autres informations sont disponibles sur:

www.KidKraft.com
 Contact us at: KidKraft
 Dallas, TX 75244 USA
 1-800-933-0771

Tracking Number:
 Numéro de Suivi:



Hardware

4 x #8 x 12.7mm(#8 x 1/2")

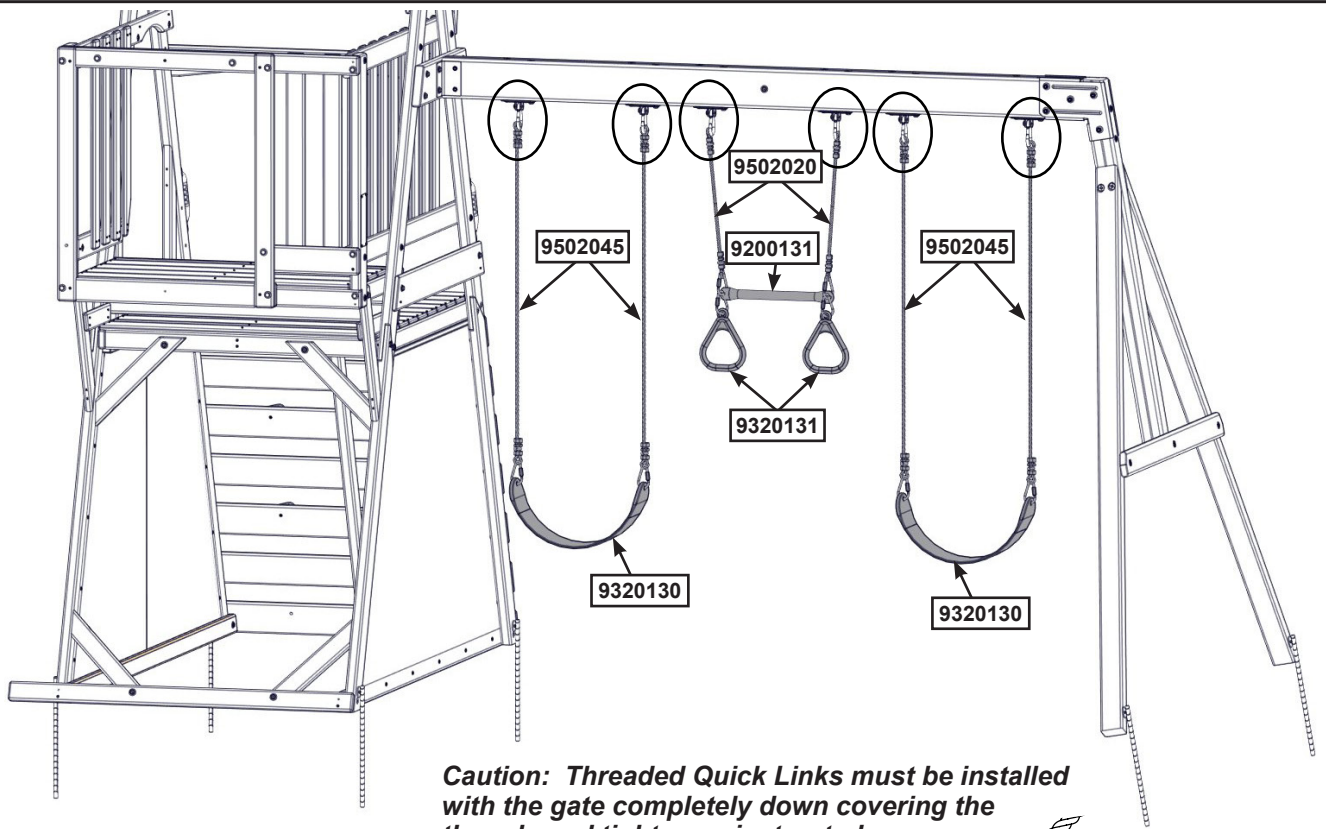
Other Parts

1 x **9320374**

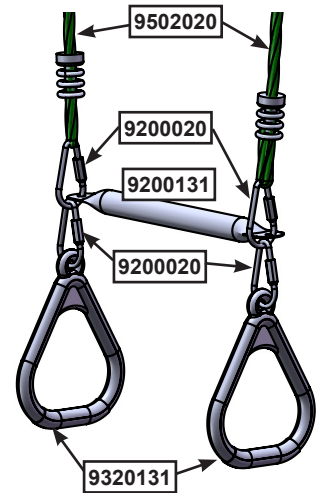
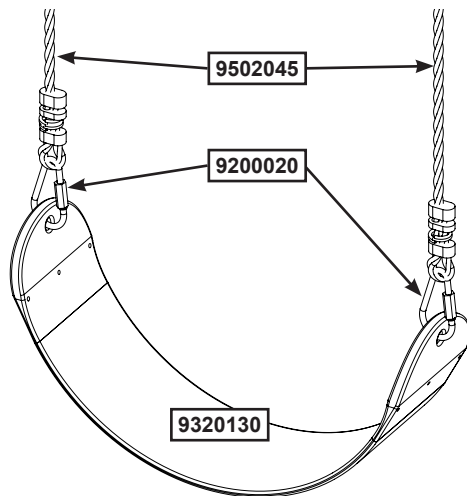
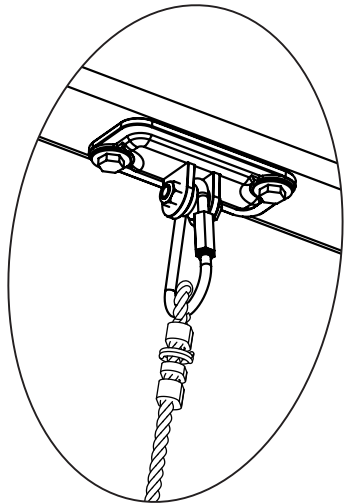
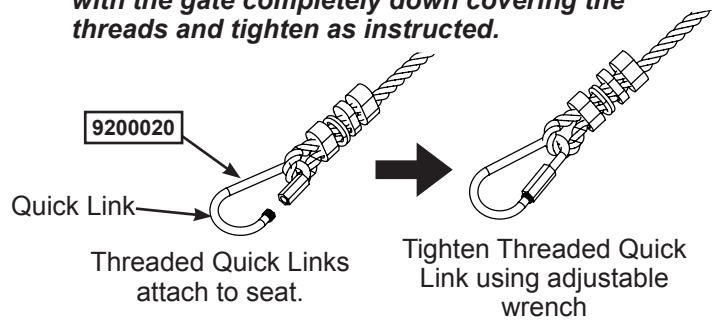
europecustomerservice@kidkraft.com
 +31 20 305 8620
 M-F from 09:00 to 17:30 (GMT+1)

parts.kidkraft.eu





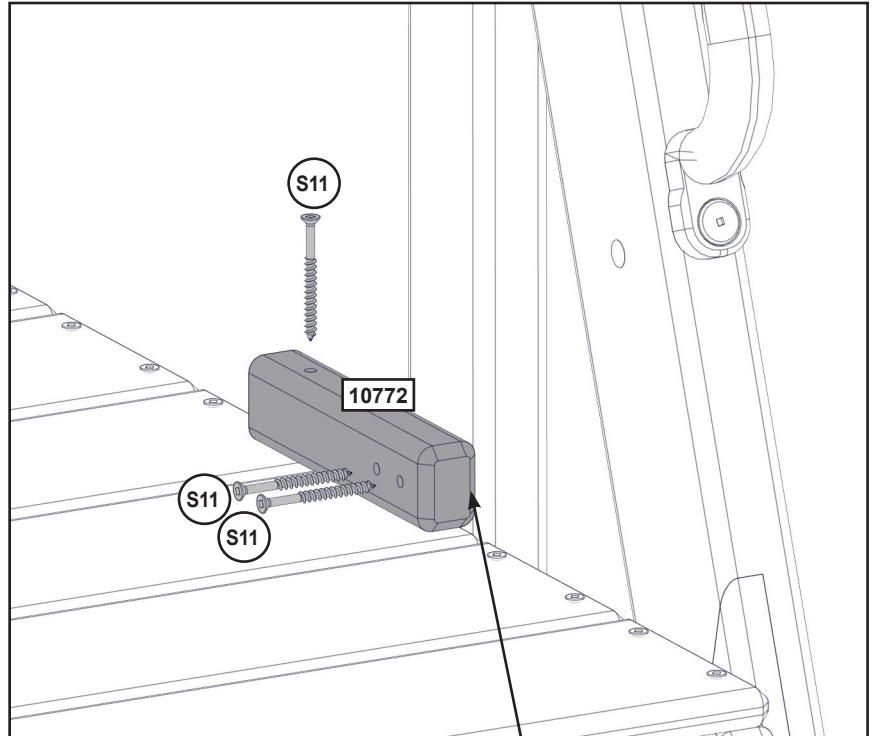
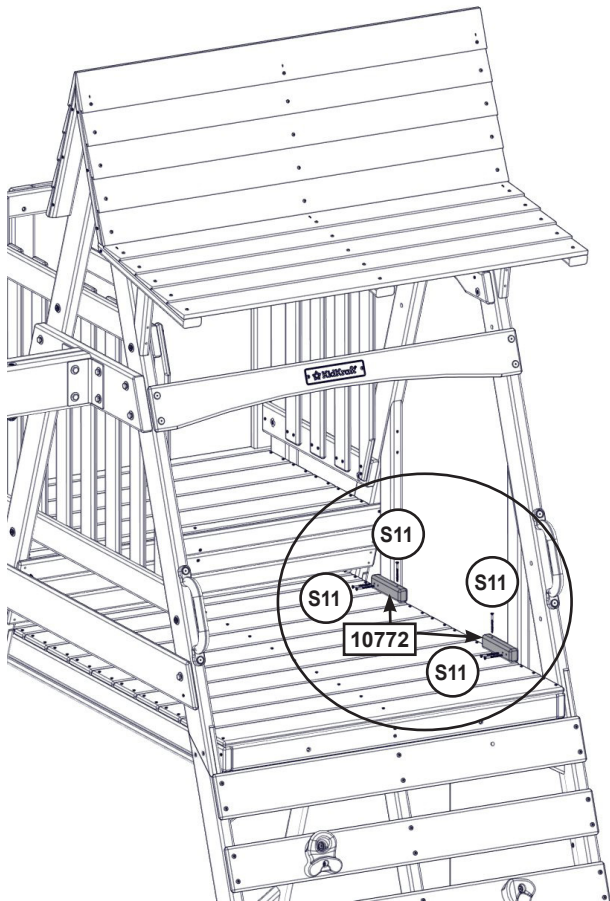
Caution: Threaded Quick Links must be installed with the gate completely down covering the threads and tighten as instructed.



Other Parts

- | | | | | | |
|-----|---------|-----|---------|-----|---------|
| 2 x | 9320130 | 4 x | 9502045 | 1 x | 9200131 |
| 2 x | 9320131 | 2 x | 9502020 | 8 x | 9200020 |

Note: Structure partly removed for clarity.



Flush

Wood Parts

2 x 10772 25.4 x 34.9 x 147 mm (1" x 1 3/8" x 5 13/16")

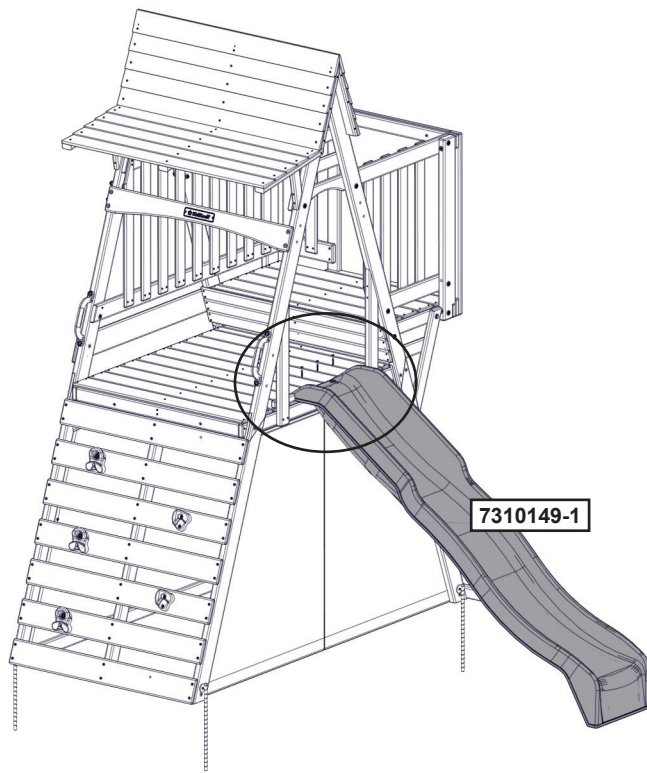
Hardware

6 x S11 #8 x 50.8mm (#8 x 2")

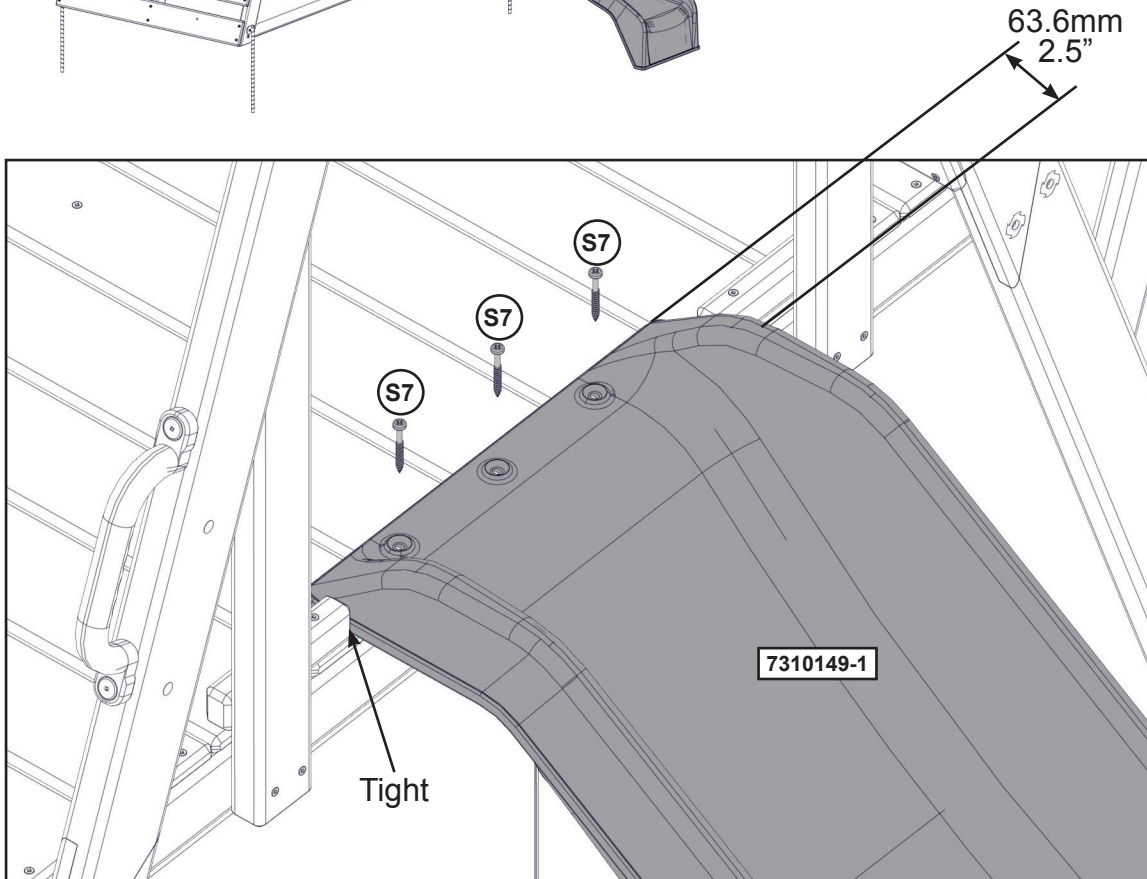
europecustomerservice@kidkraft.com
 +31 20 305 8620
 M-F from 09:00 to 17:30 (GMT+1)

parts.kidkraft.eu





Note: Pre-drill all holes using a 1/8" drill bit before installing the pan screws.



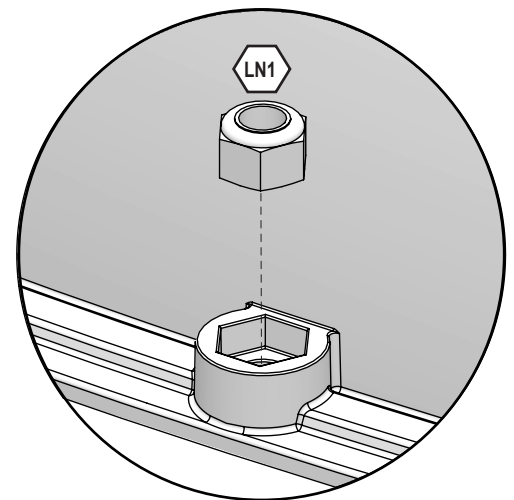
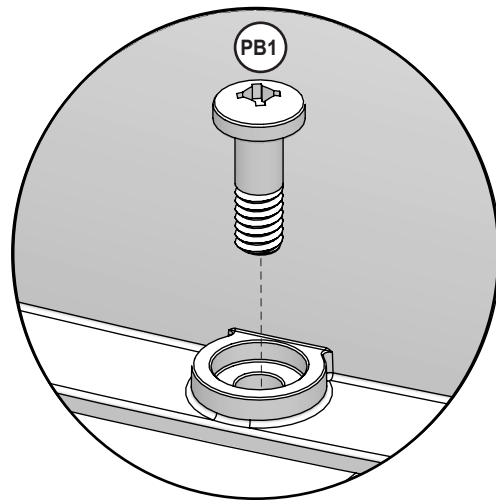
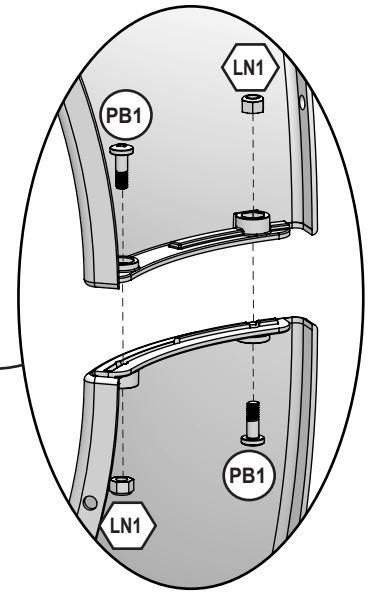
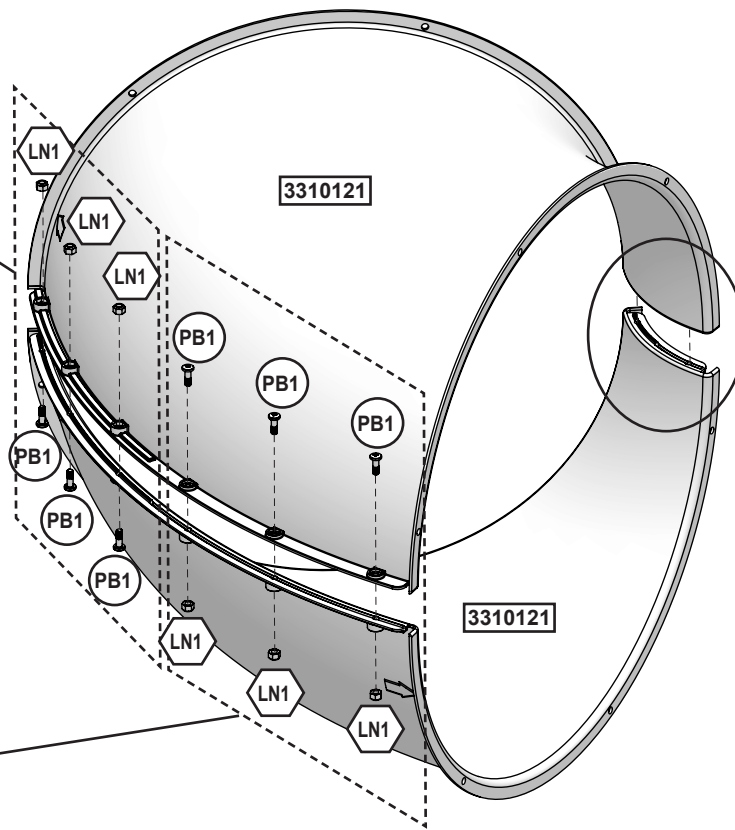
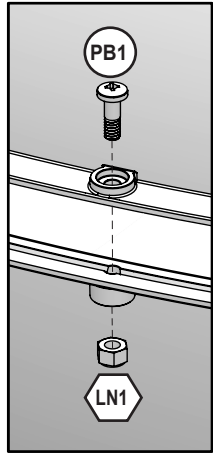
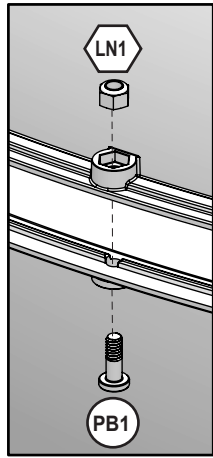
Hardware

3 x **S7** #12 x 2" (50.8 mm)

Other Parts

1 x **7310149-1**

Complete this step 4 times



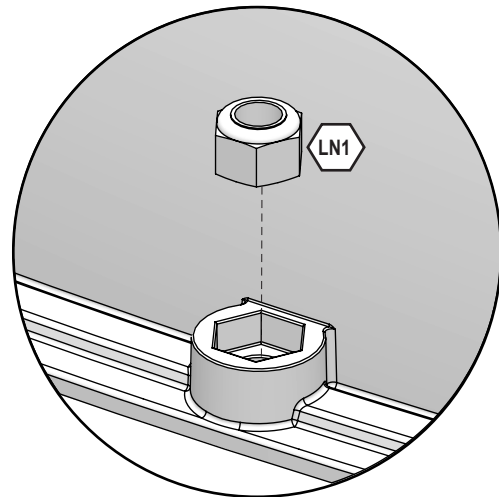
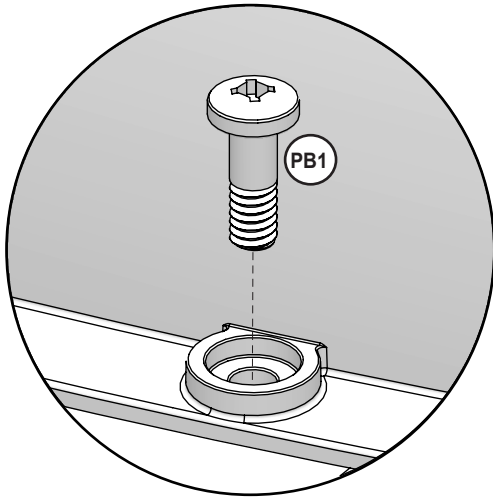
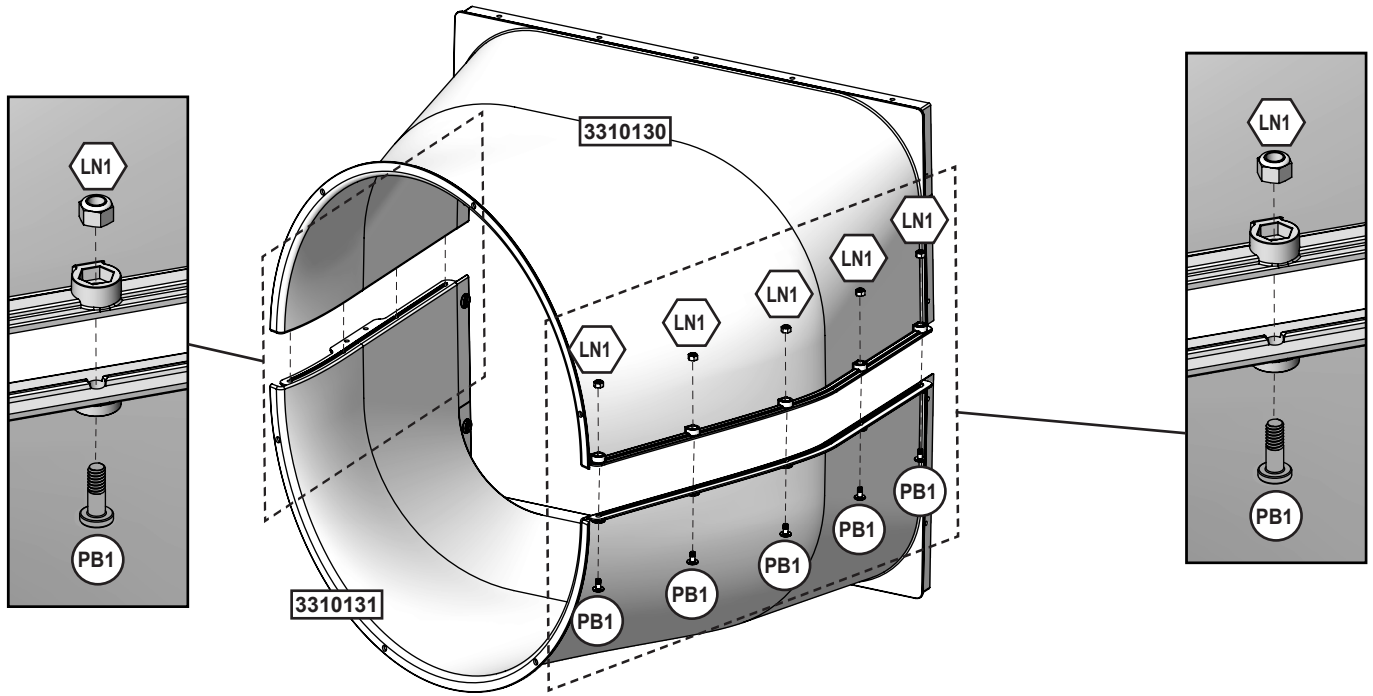
Hardware

32 x (PB1) 6.3mm x 19 mm (1/4 x 3/4") (LN1)

Other Parts

8 x 3310121



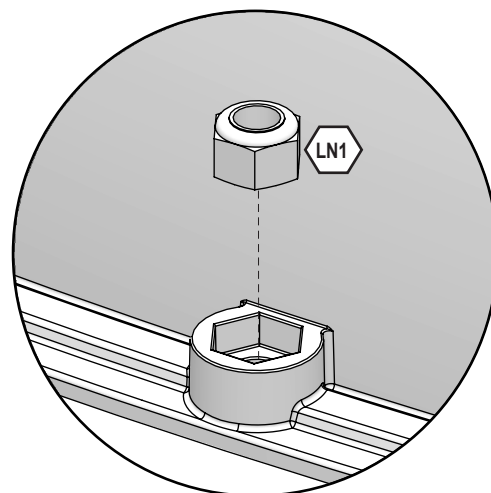
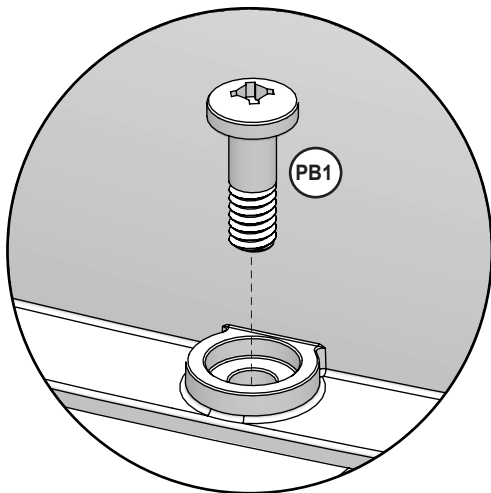
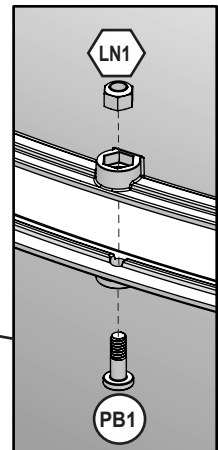
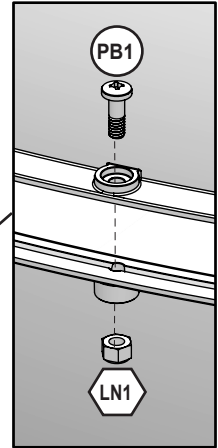
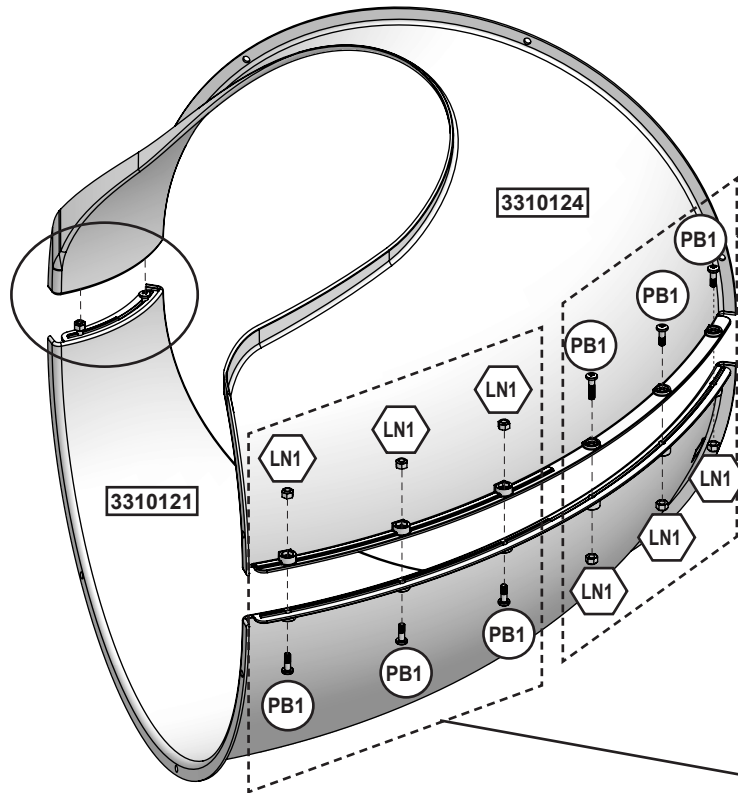
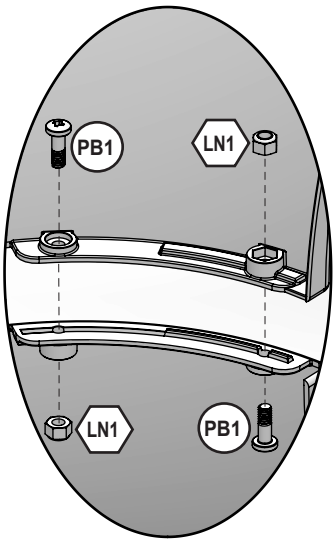


Hardware

9 x (PB1) 6.3mm x 19 mm (1/4 x 3/4") (LN1)

Other Parts

1 x 3310130
1 x 3310131



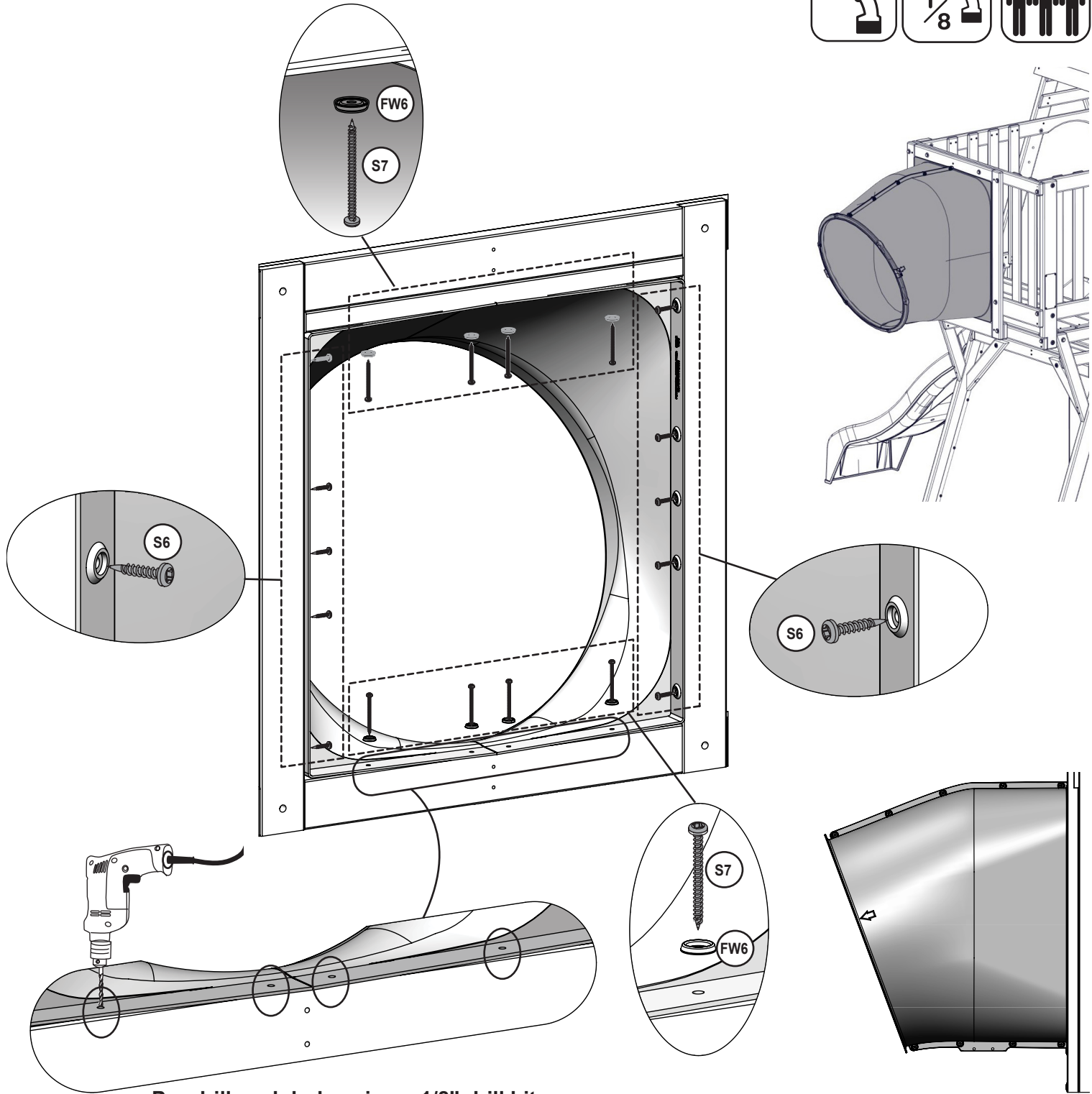
Hardware

8 x 6.3mm x 19 mm (1/4 x 3/4") (LN1)

Other Parts




- 1 x
- 1 x





Pre-drill each hole using a 1/8" drill bit.
 Making sure the pre-drilled holes are a minimum of 1" deep.

Hardware

- 10 x  #12 x 25.4mm (#12 x 1")
- 8 x  #12 x 50.8mm (#12 x 2")
- 8 x  #12



parts.kidkraft.com

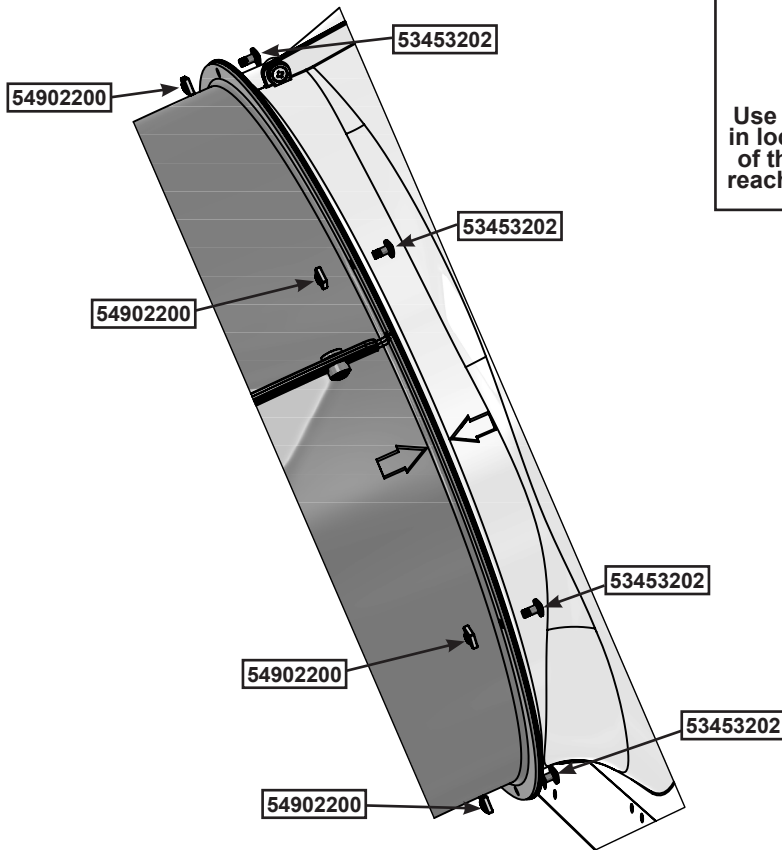
customerservice@kidkraft.com
 1.800.933.0771
 972.385.0100

92

Note: Keep all bolts loose until further step.

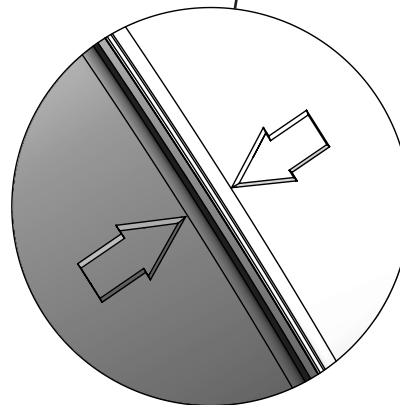
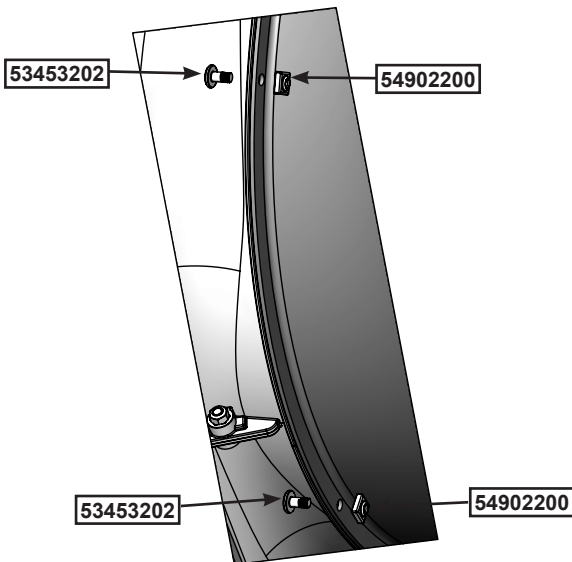
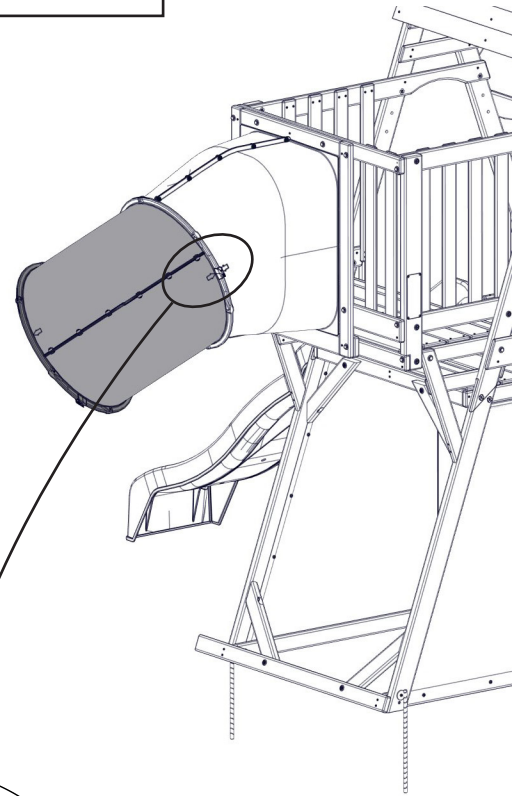
Use Quadrex Driver as a guide pin for each hole before inserting bolt.

Align each elbow using the molded arrows.



Quadrex Driver

Use special driver provided in locations where the curve of the elbow are difficult to reach with a standard driver.



Align each elbow using the molded arrows.

Other Parts

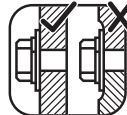
6 x 54902200

6 x 53453202 1/4" x 12.7mm





Complete this three times

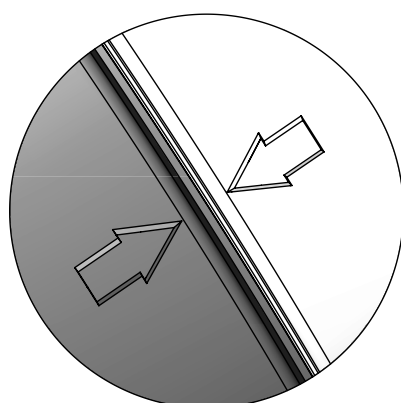
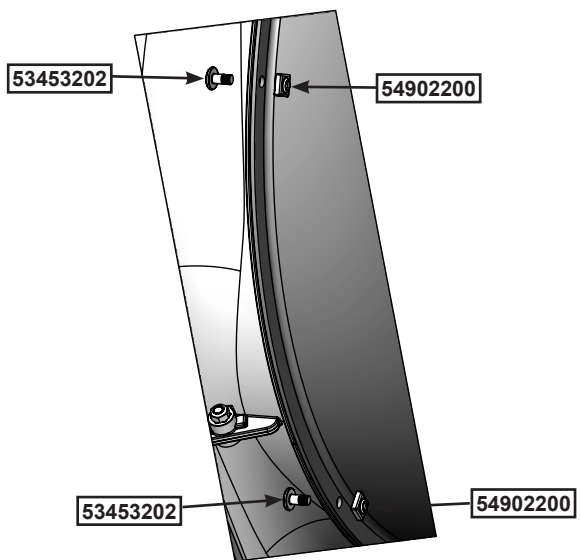
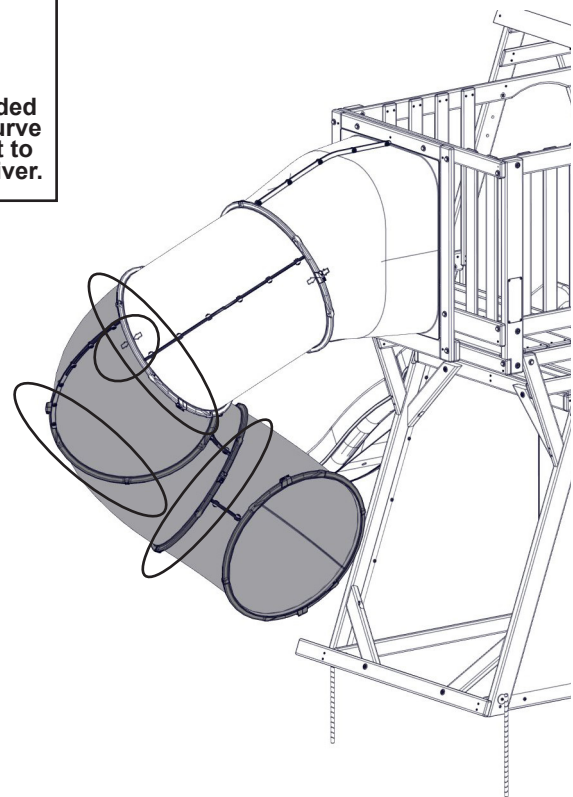
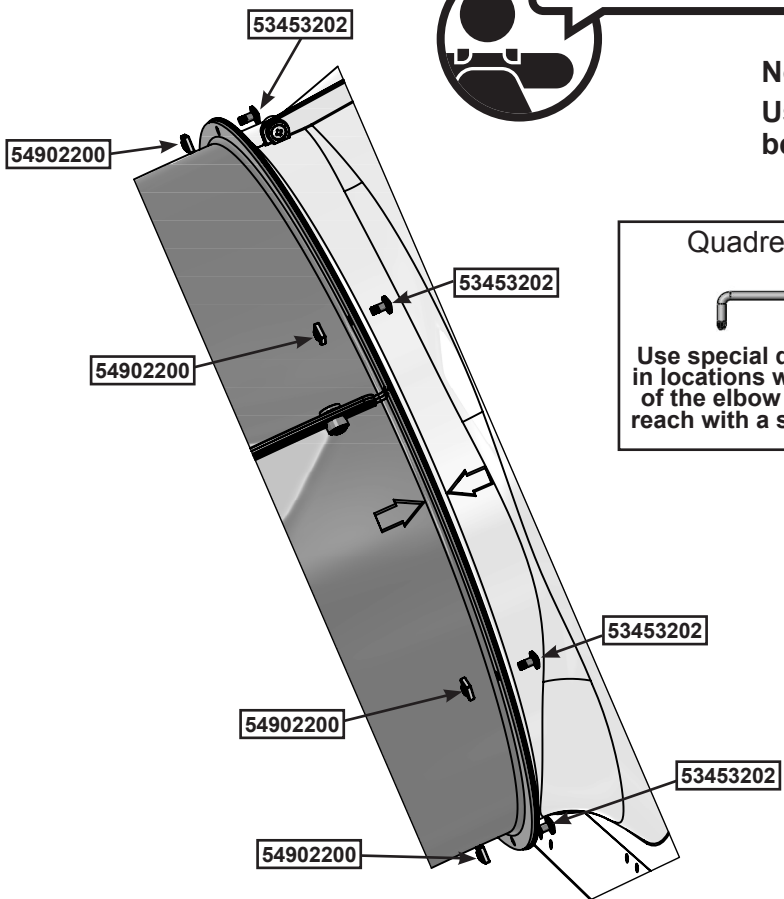


Note: Keep all bolts loose until further step.
Use Quadrex Driver as a guide pin for each hole before inserting bolt.

Quadrex Driver



Use special driver provided in locations where the curve of the elbow are difficult to reach with a standard driver.



Align each elbow using the molded arrows.

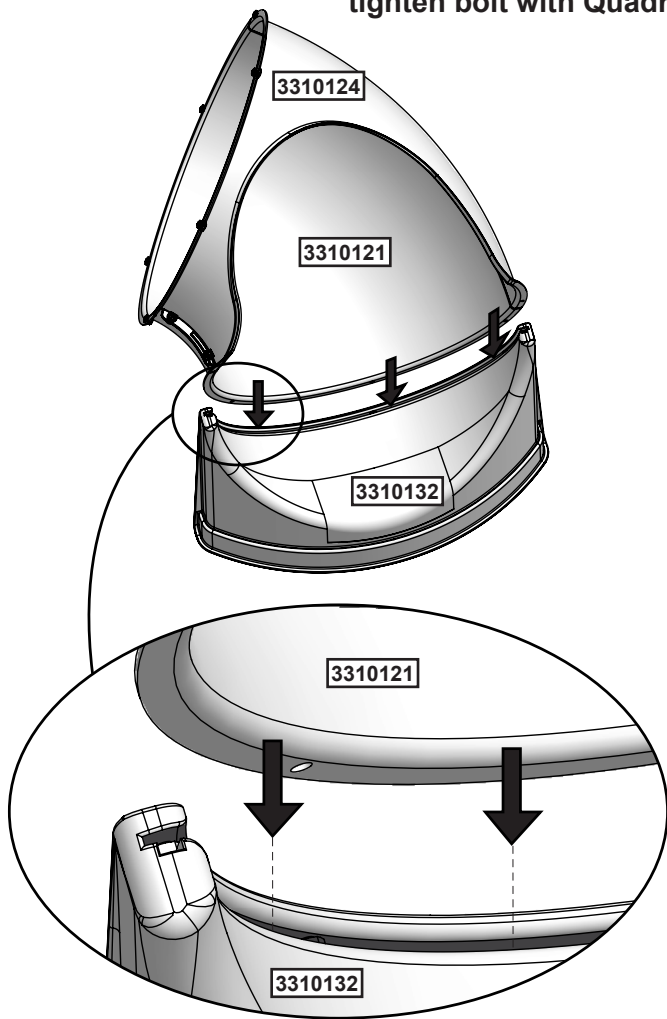
Other Parts

18 x 54902200

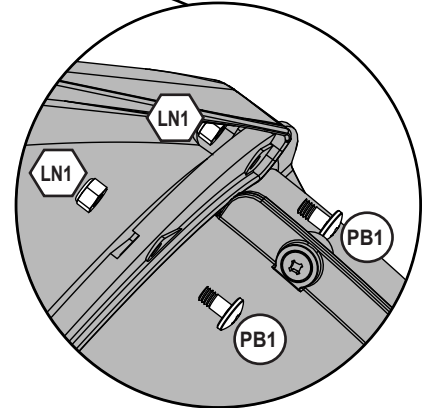
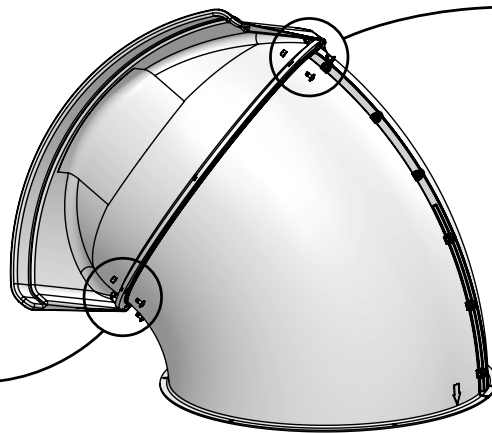
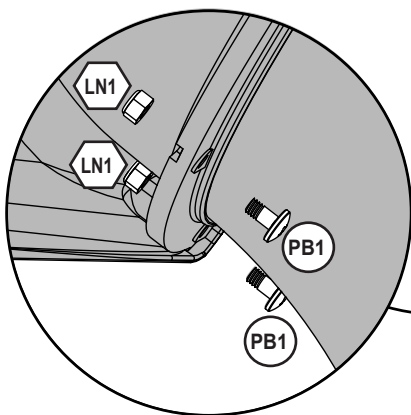
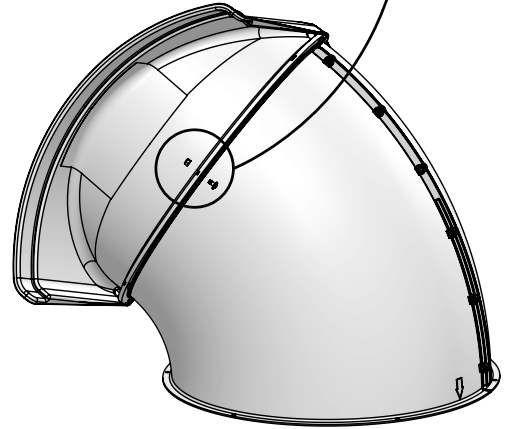
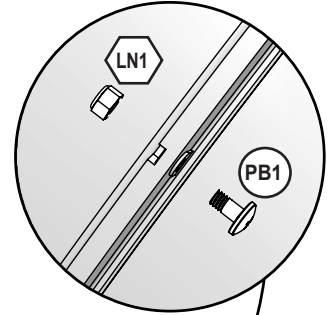
18 x 53453202 1/4" x 12.7mm

94

Use a 7/16" open end wrench to hold nut and then tighten bolt with Quadrex Driver.



Rotate Slide Exit



Hardware

5 x (PB1) 6.4mm x 19 mm (1/4 x 3/4") (LN1)

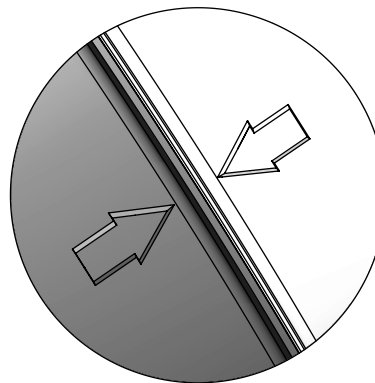
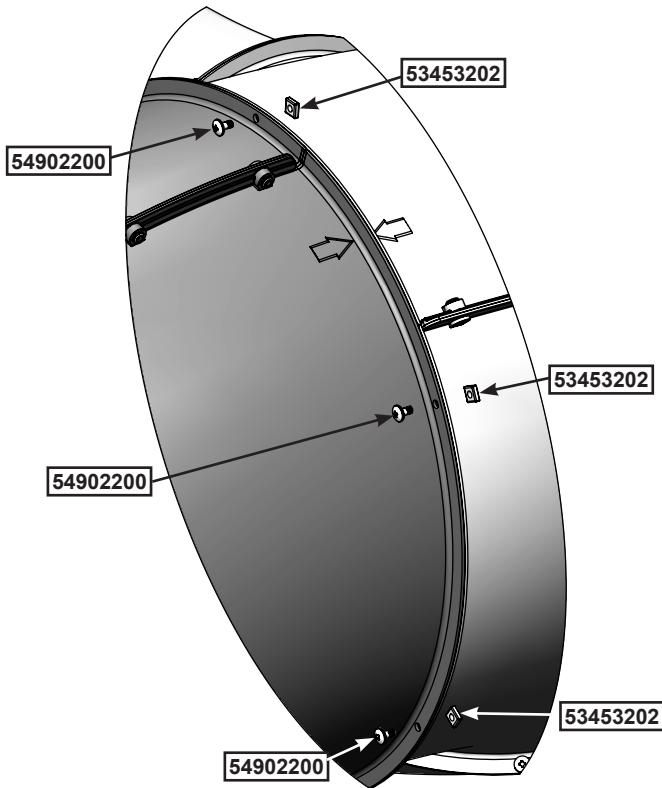
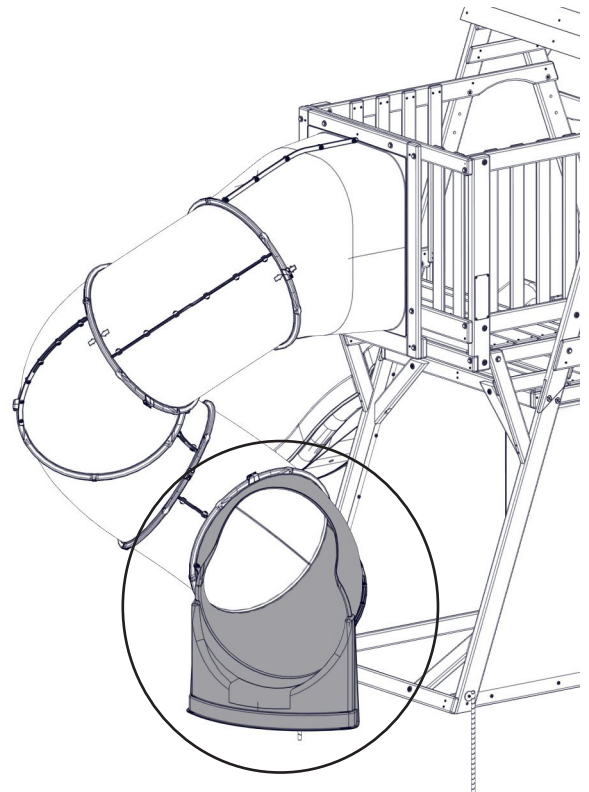
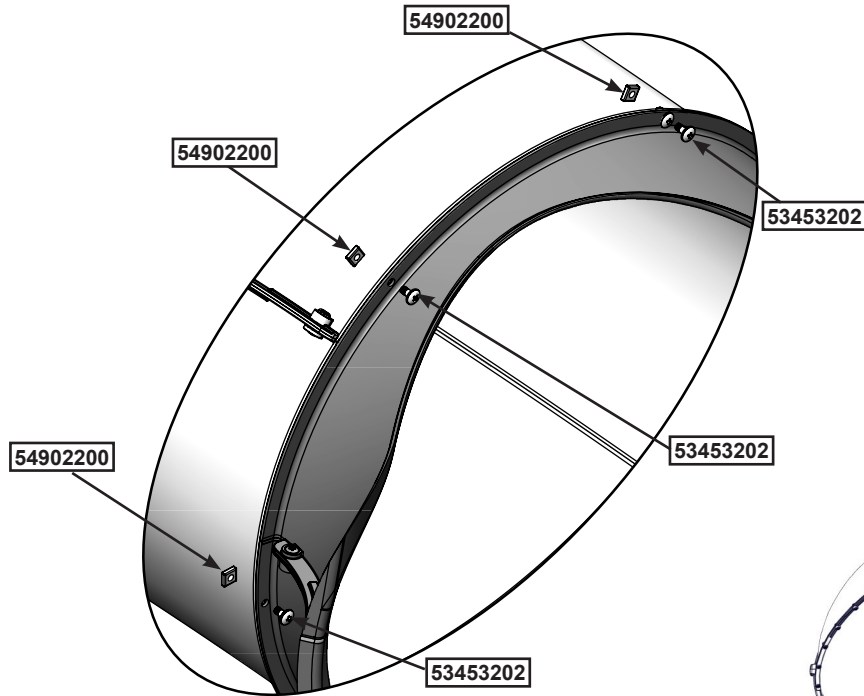
Other Parts

1 x 3310132



95

Tighten all slide bolts before the clamp rings go on in the next step.



Align each elbow using the molded arrows.

Other Parts

- 6 x 54902200
- 6 x 53453202 1/4" x 12.7mm

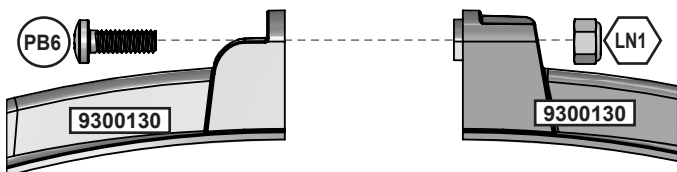


parts.kidkraft.com

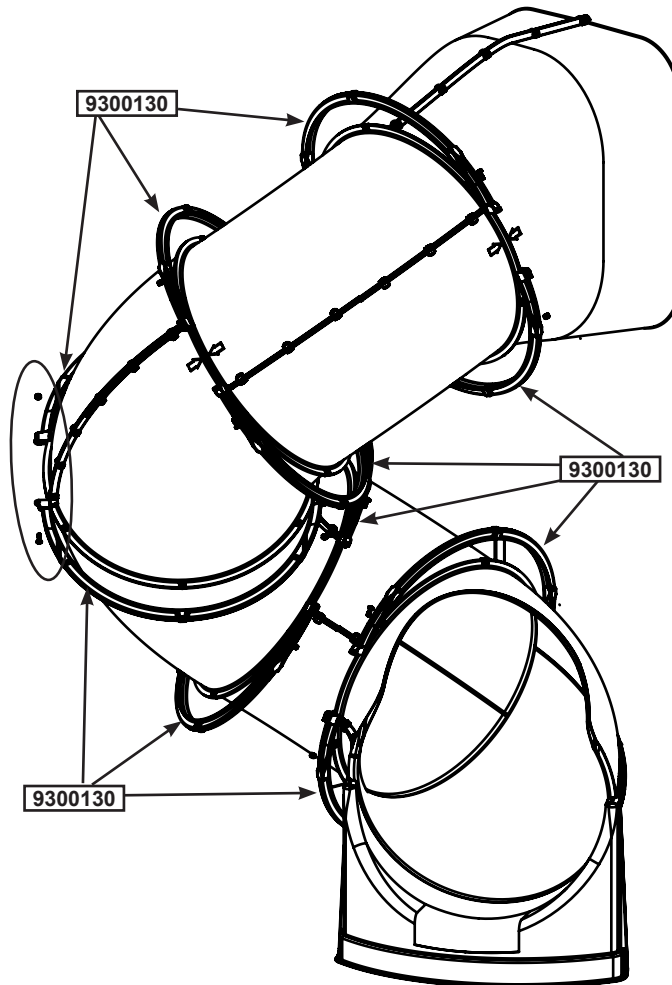
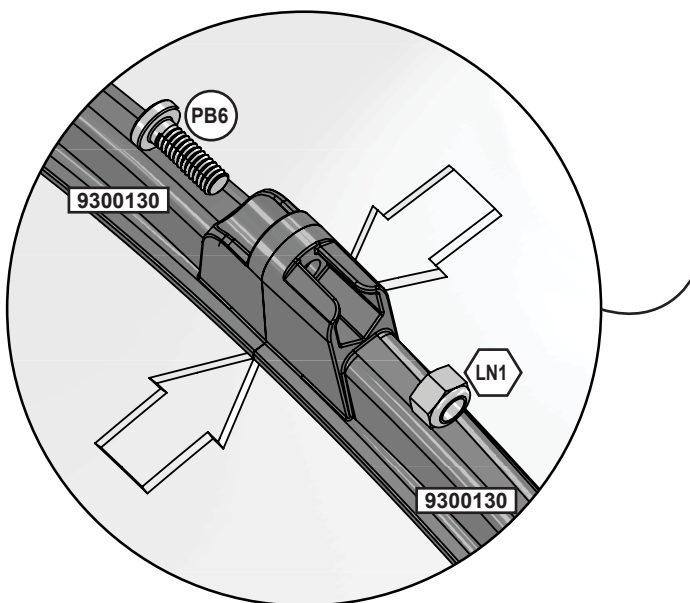
customerservice@kidkraft.com
1.800.933.0771
972.385.0100



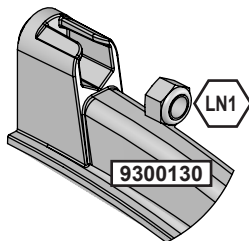
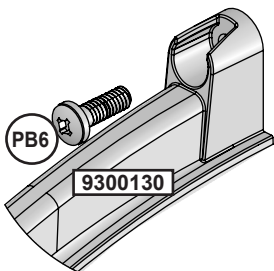
Warning. Do not over tighten the clamp rings.



After the clamp rings are attached to the elbows, fasten them end to end with two pan bolts and lock nuts



Note: For ease of assembly bottom set of clamp rings can be rotated 90 degrees to install bolts.



Hardware

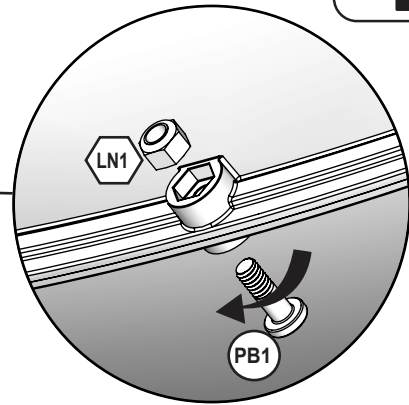
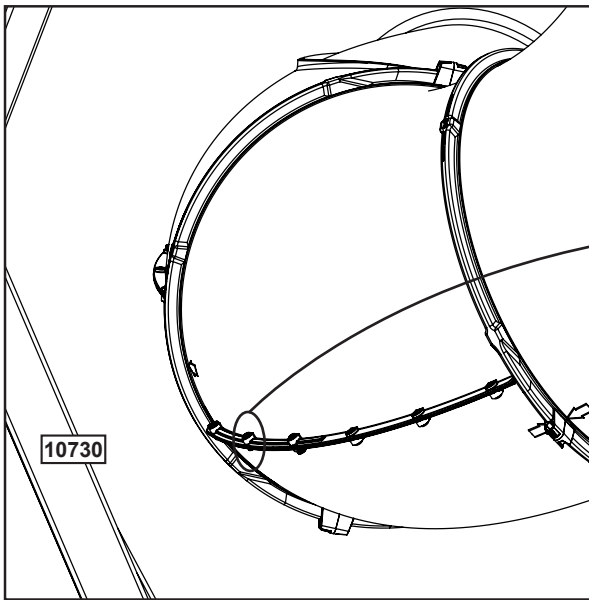
10 x (PB6) 6.4mm x 25.4 mm (1/4 x 1") (LN1)

Other Parts

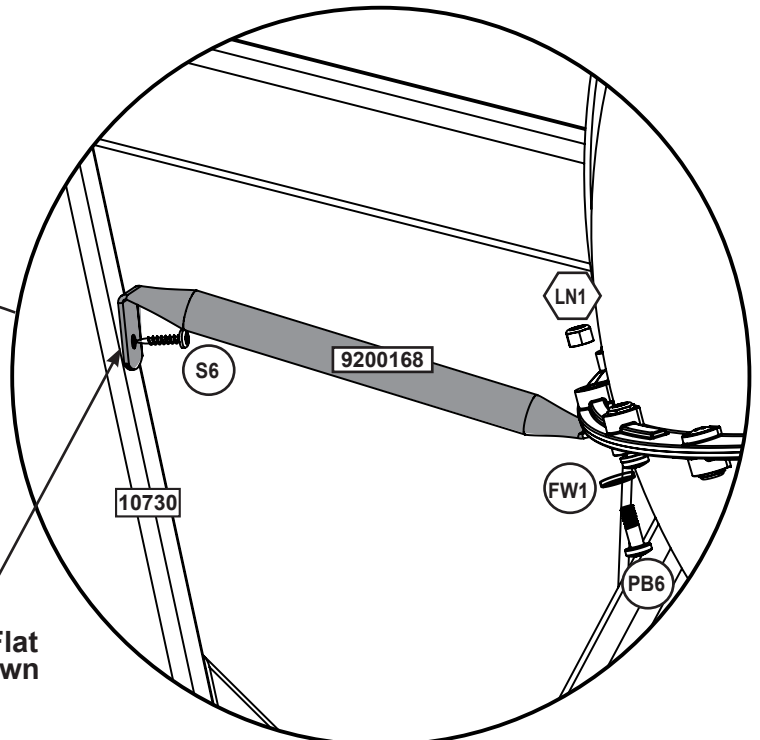
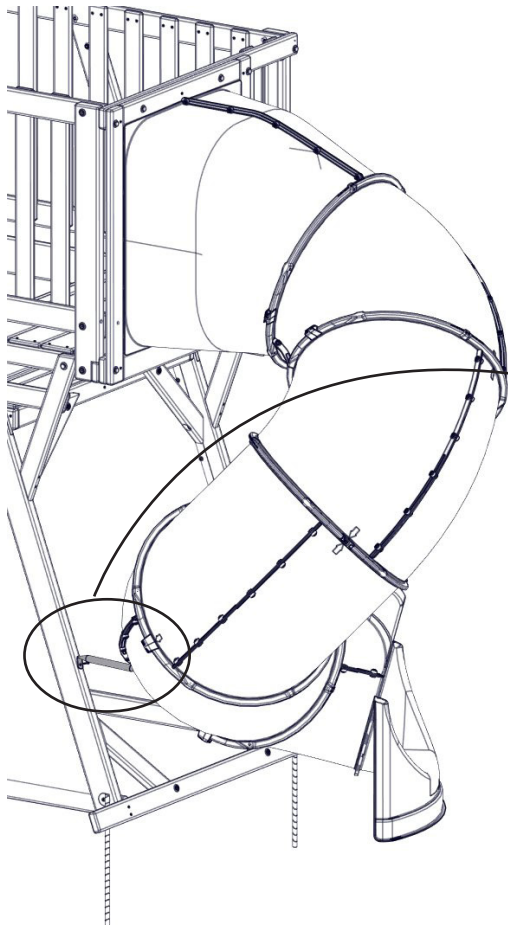
10 x (9300130)



97



Remove PB1 (1/4 x 3/4" Pan Bolt),
The bolt (PB1) will no longer be
needed, but keep the lock nut (LN1)



Note: Flat
end down

Install PB6 (1/4 x 1" Pan Bolt)
with flat washer (FW1)

Hardware

- 1 x (PB6) 1/4 x 1" (6.4 x 25.4 mm) (FW1)
- 1 x (S6) #12 x 1" (#12 x 25.4 mm)

Other Parts

- 1 x 9200168

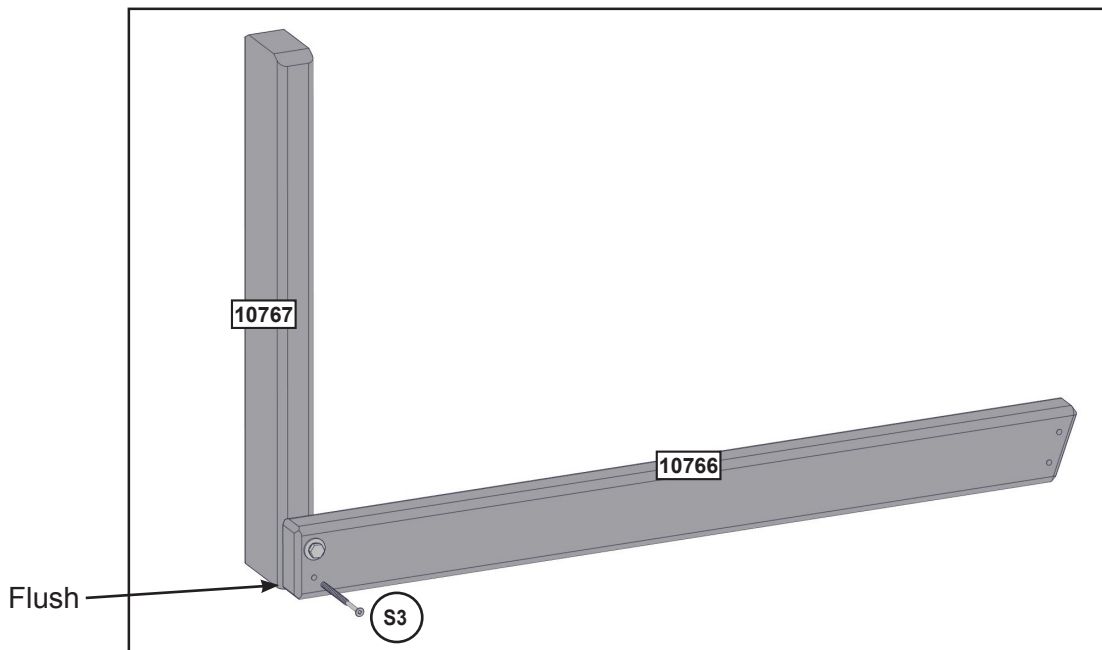
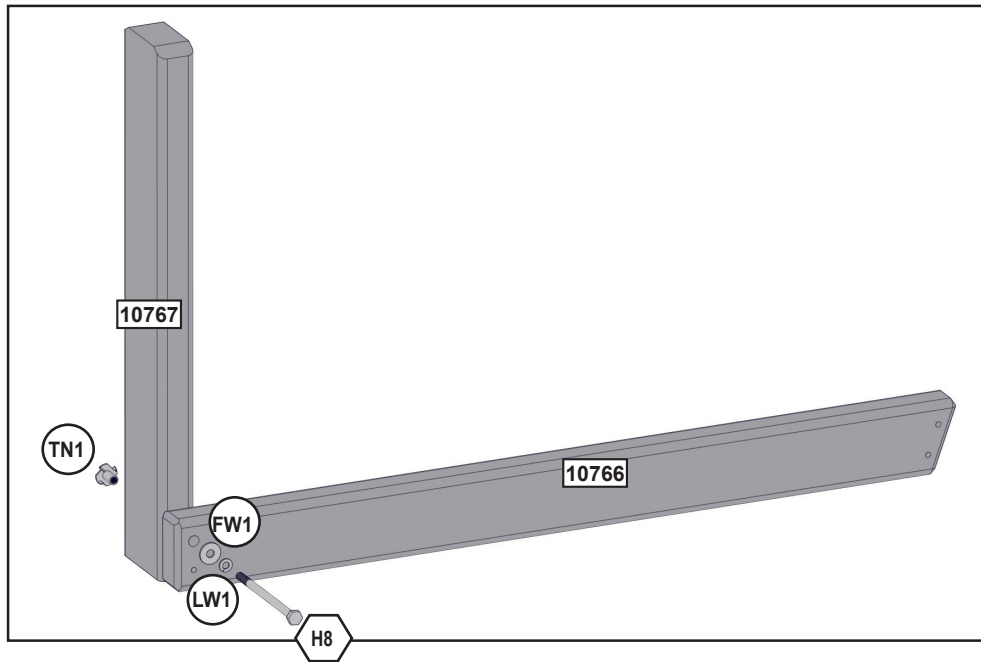


parts.kidkraft.com

customerservice@kidkraft.com
1.800.933.0771
972.385.0100

98

Assemble T-Nuts first with hammer!



Wood Parts

- 1 x 31.8 x 63.5 x 710 mm (1 1/4" x 2 1/2" x 27 15/16")
- 1 x 31.8 x 76.2 x 465 mm (1 1/4" x 3" x 18 5/16")

Hardware

- 1 x #8 x 63.5mm (#8 x 2-1/2")
- 1 x 6.4mm x 108mm (1/4 x 4-1/4")(FW1, LW1, TN1)

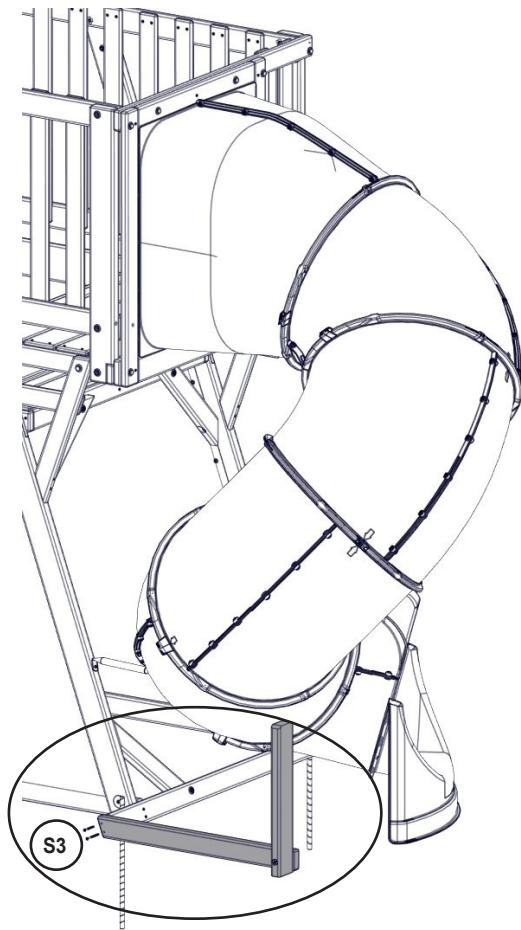
europecustomerservice@kidkraft.com
 +31 20 305 8620
 M-F from 09:00 to 17:30 (GMT+1)

parts.kidkraft.eu

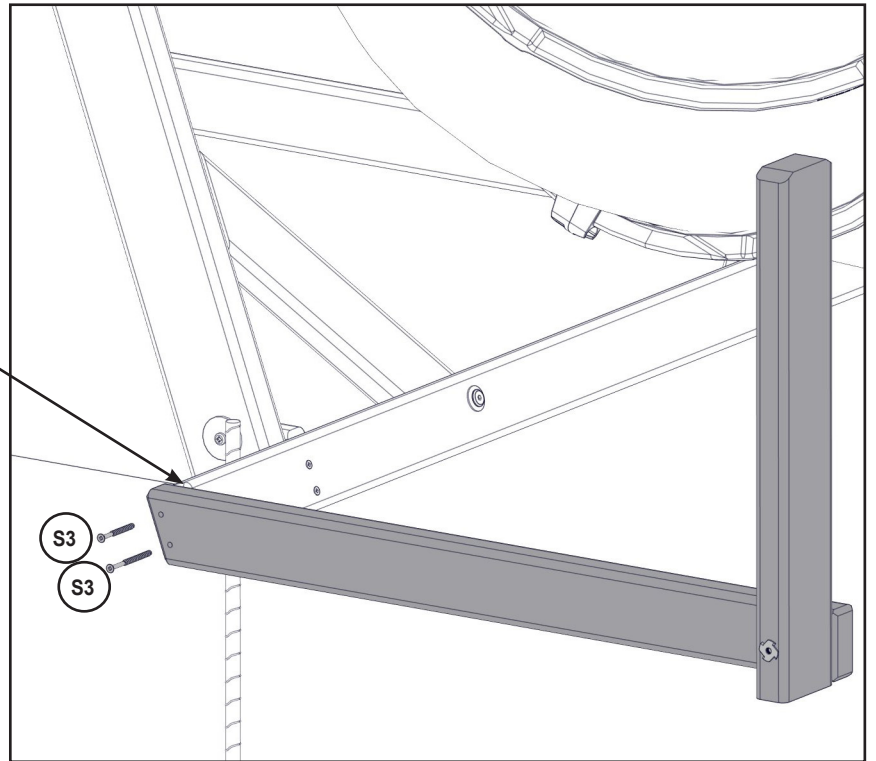


99

Note: Structure partly removed for clarity.



Flush

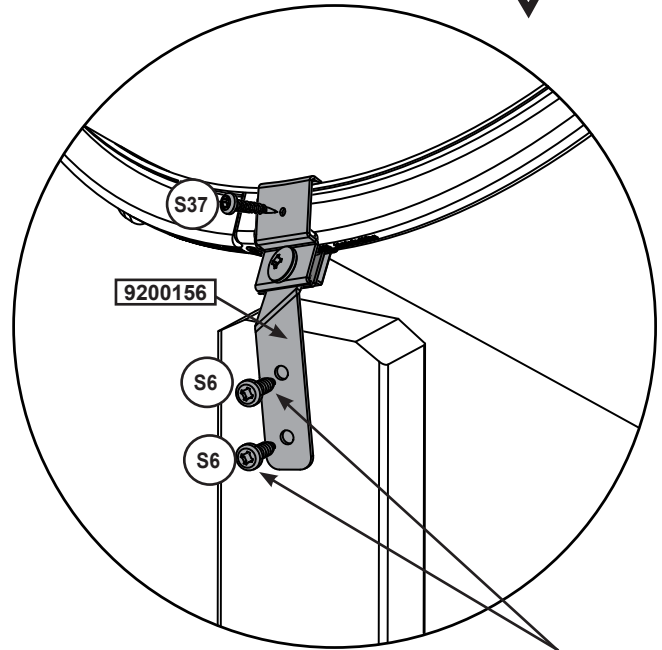
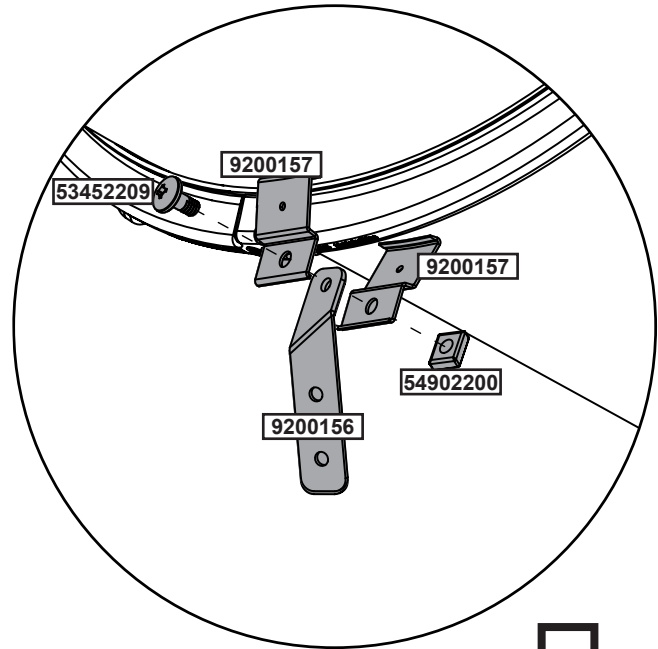
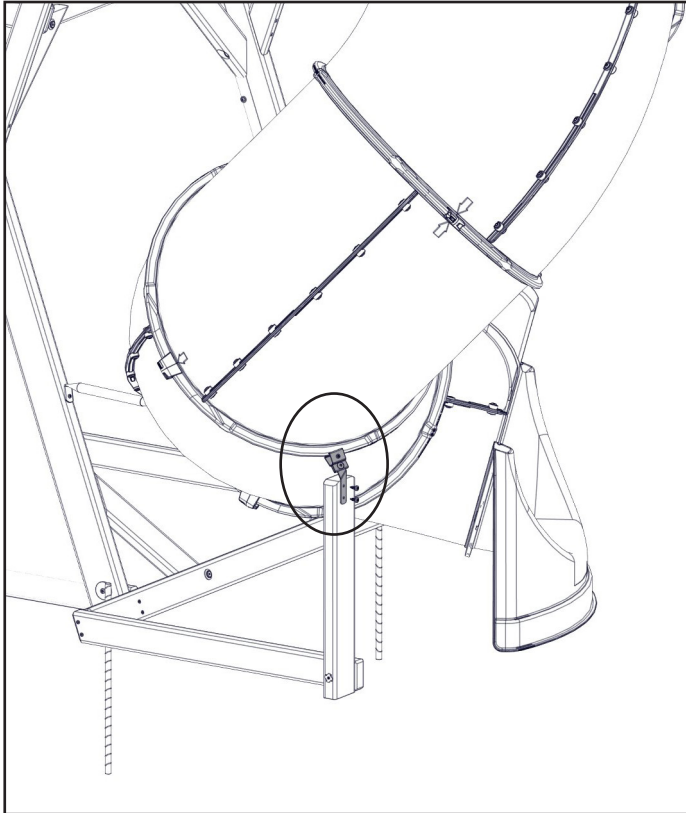


Hardware

2 x  #8 x 63.5mm (#8 x 2-1/2")



Note: Structure partly removed for clarity.



Pre-drill with a 1/8" drill bit.

Hardware

- 1 x #7 x 15.87mm (#7 x 5/8")
- 2 x #12 x 25.4mm (#12 x 1")

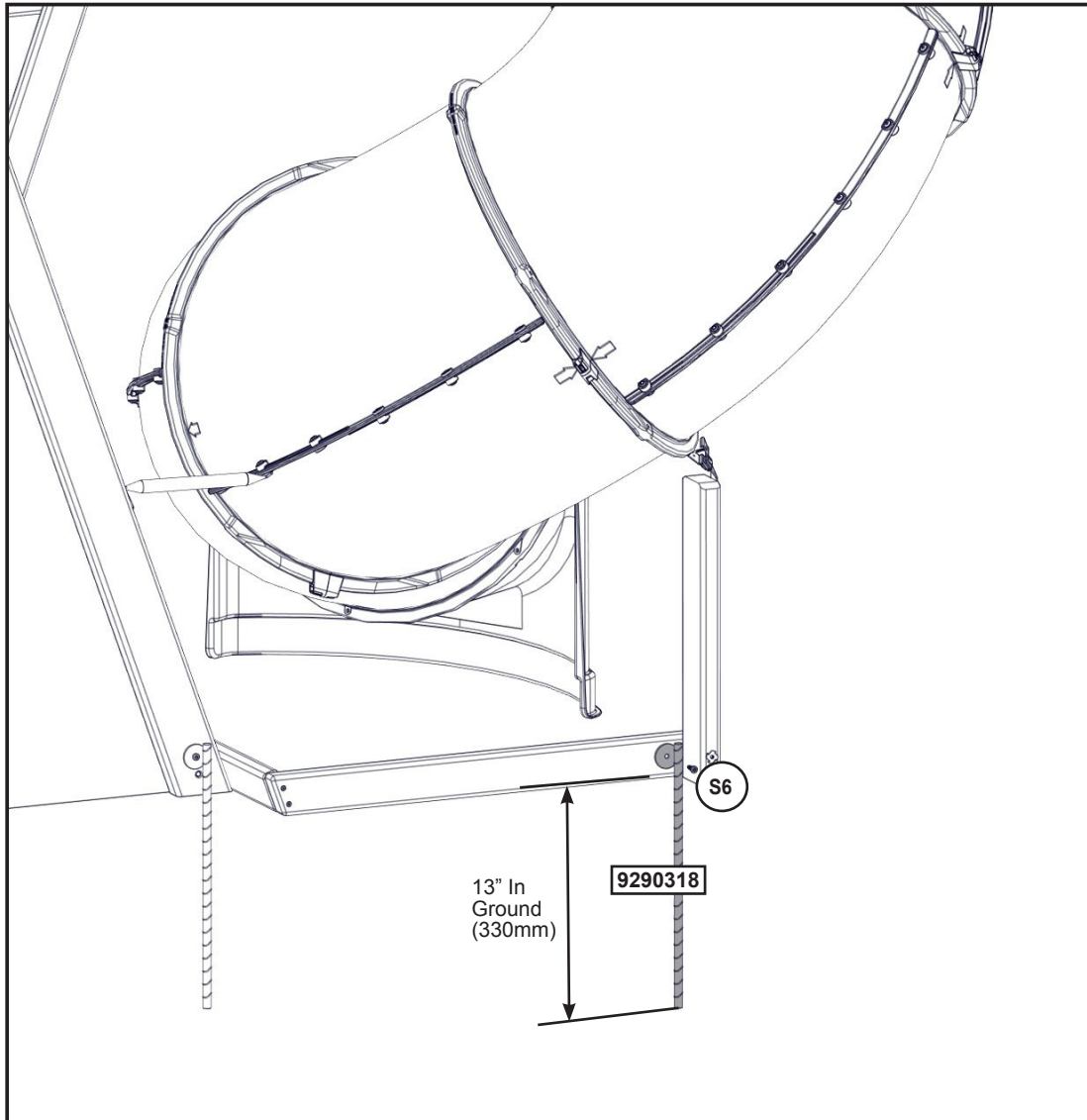
Other Parts

- 1 x 2 x
- 1 x 1 x 1/4 x 14.5mm





Note: Structure partly removed for clarity.



⚠ Warning! To prevent tipping and avoid potential injury, stakes must be driven 13”(330mm) into ground. Digging or driving stakes can be dangerous if you do not check first for underground wiring, cables or gas lines.

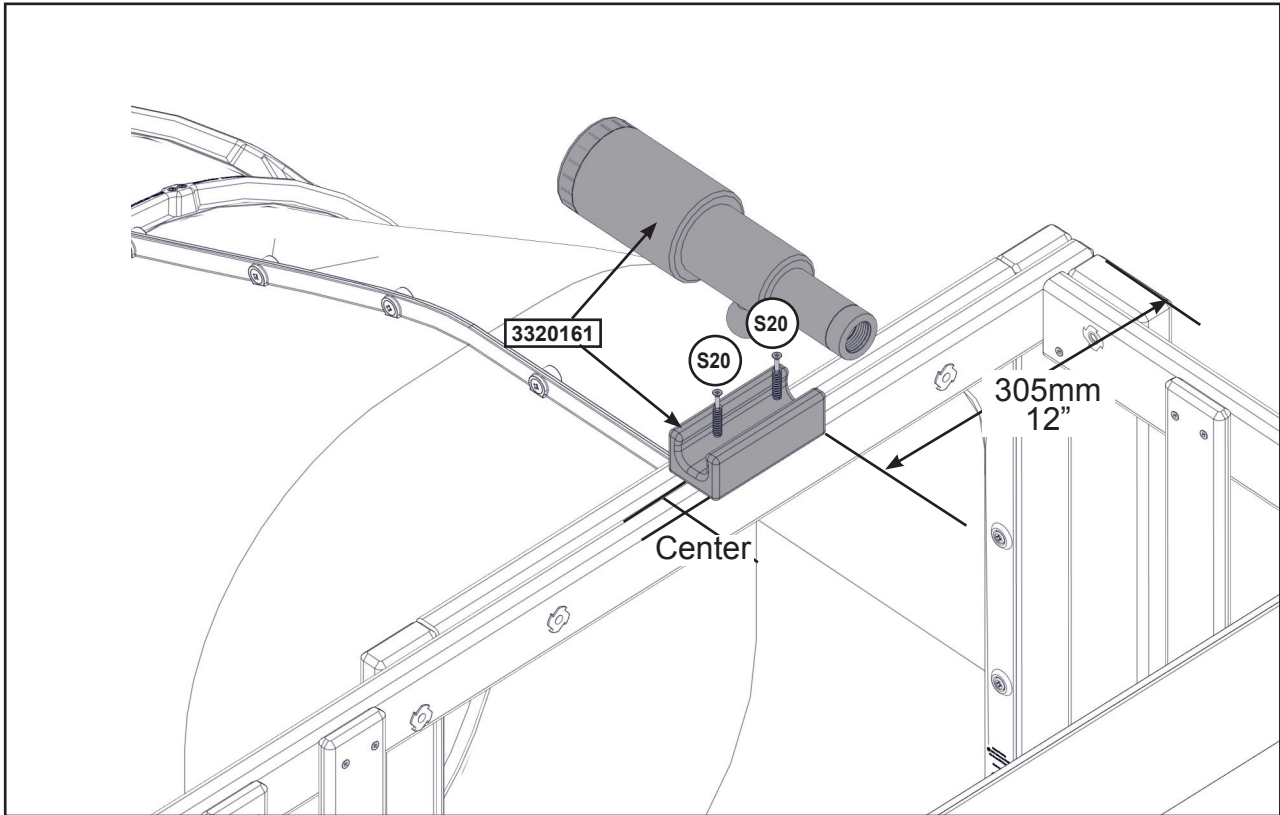
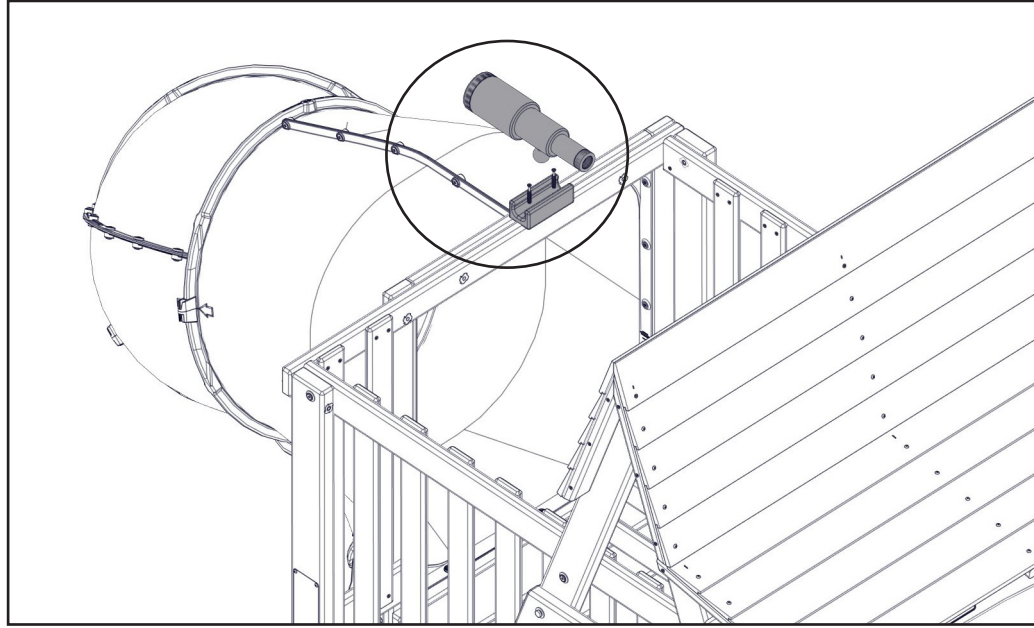
Hardware

1 x **S6** #12 x 25.4mm (#12 x 1”)


Other Parts

1 x **9290318**


Note: Structure partly removed for clarity.



Hardware

2 x  #8 x 34.9mm (#8 x 1-3/8")

Other Parts

1 x 



3 EASY WAYS TO REGISTER YOUR PRODUCT 24/7

- 1) Scan this QR Code with your smart phone to complete your product registration directly from your phone:
- 2) Complete the registration online at: https://www.kidkraft.com/us_en/warranty/
- 3) Mail this completed form to: KidKraft Inc., 4630 Olin Road, Dallas, Tx 75244 USA
Make sure to include a copy of your proof of purchase



KIDKRAFT Consumer Registration Card

First Name Initial Last Name

Street Apt. No.

City State/Province ZIP/Postal Code

Country Telephone Number

E-Mail Address

Model Number Model Name

Purchased From Date Purchase

Serial Number (on ID Plaque)

Model Number & Name example
F24145 AINSLEY PLAY SYSTEM



ID Plaque example

Box #: _____ 1 of _____ Box #: _____ 4 of _____ Box # (Ex: B29410 1of 6)

Box #: _____ 2 of _____ Box #: _____ 5 of _____

Box #: _____ 3 of _____ Box #: _____ 6 of _____

1 OF 6

ITEM #
ARTICLE N°
N° DE ARTICULO
B29410

For common questions or for information on ordering replacement parts:

Help Center: <https://kidkraft.zendesk.com/hc/en-us/>

