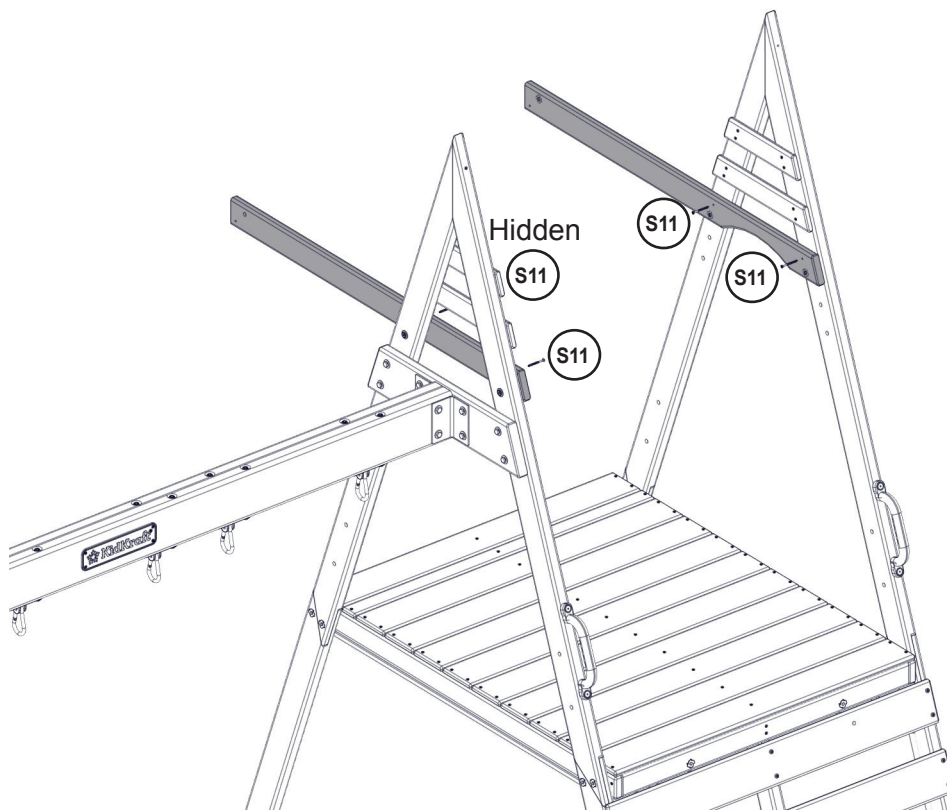
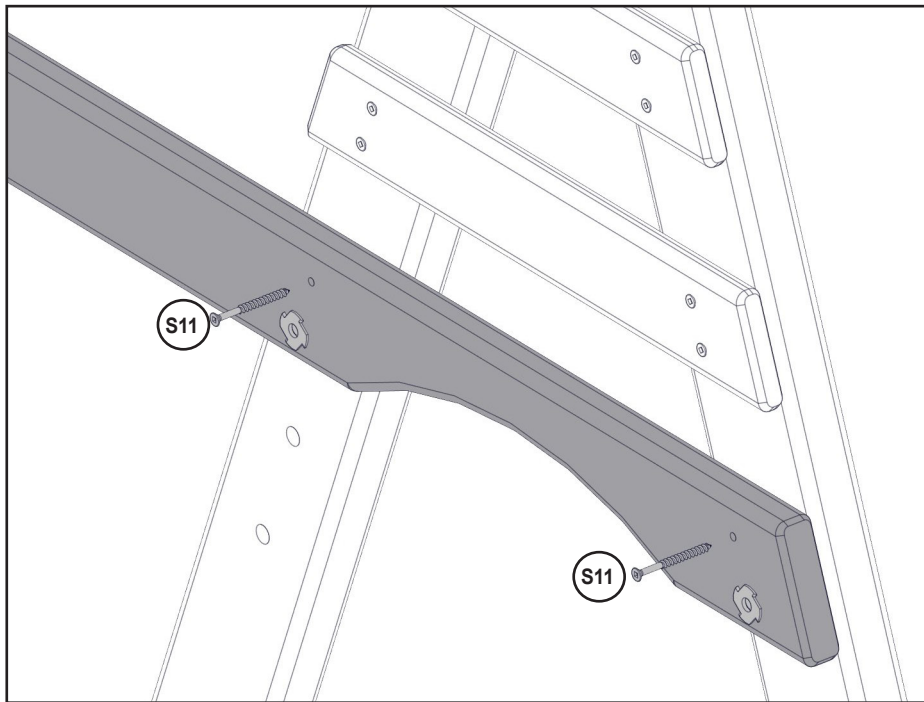




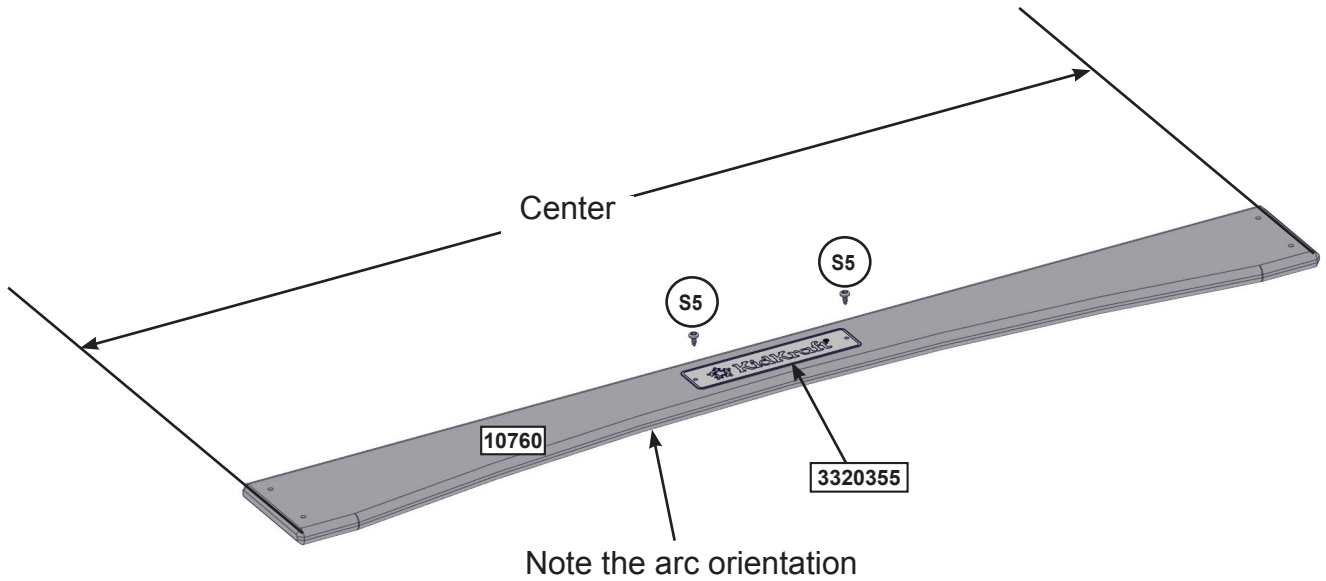
Note: Structure partly removed for clarity.



Hardware

4 x **S11** #8 x 50.8mm (#8 x 2")





Wood Parts

1 x 10760 15.9 x 114.3 x 1035 mm (5/8" X 4 1/2" X 40 3/4")

Hardware

2 x S5 #8 x 12.7mm(#8 x 1/2")

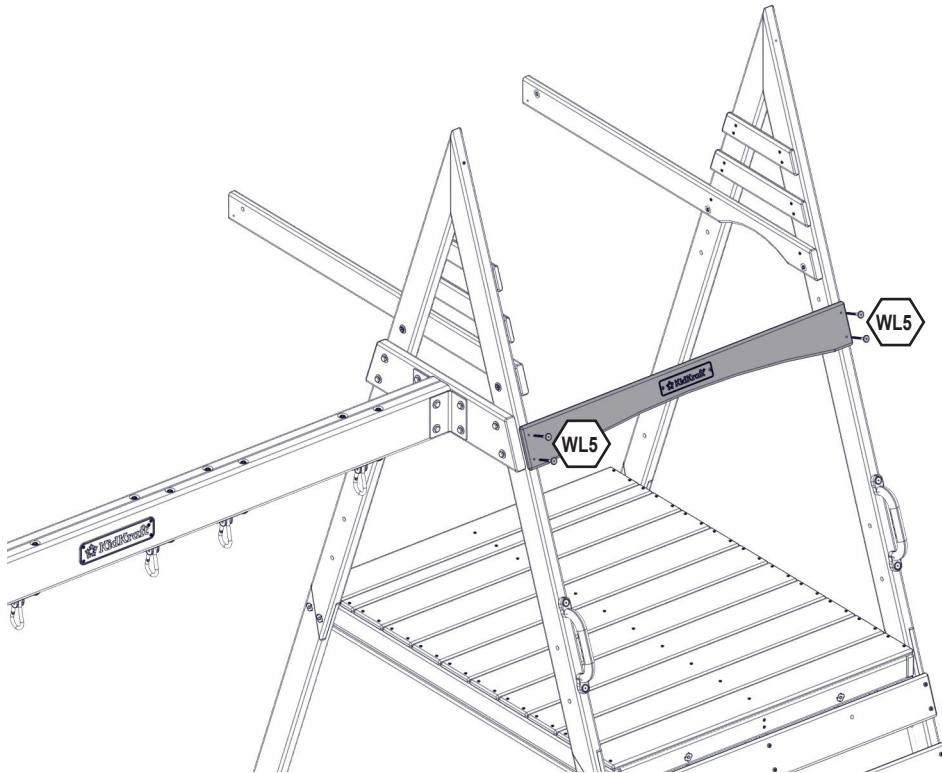
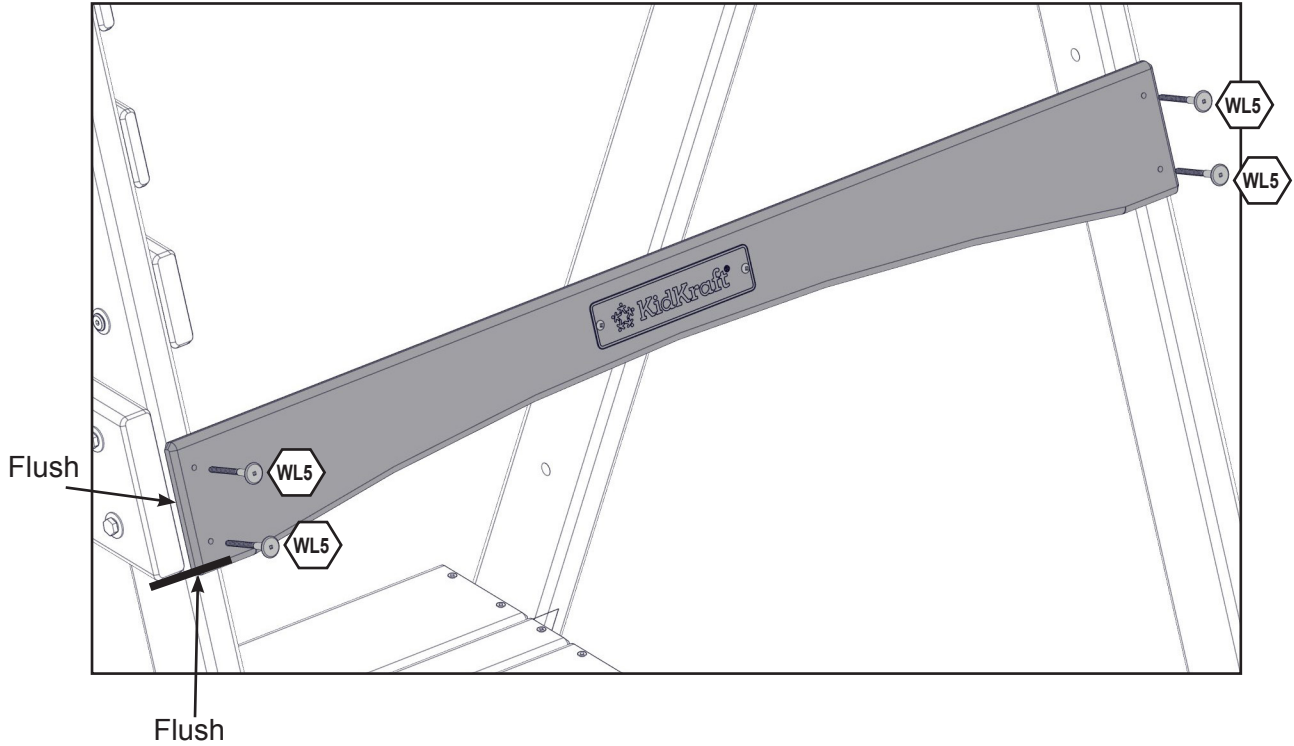
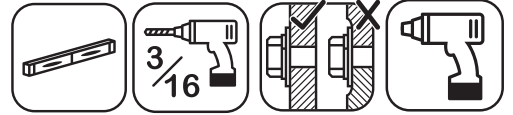
Other Parts

1 x 3320355

44

Pre-drill holes using a 3/16" drill bit.

Note: Structure partly removed for clarity.

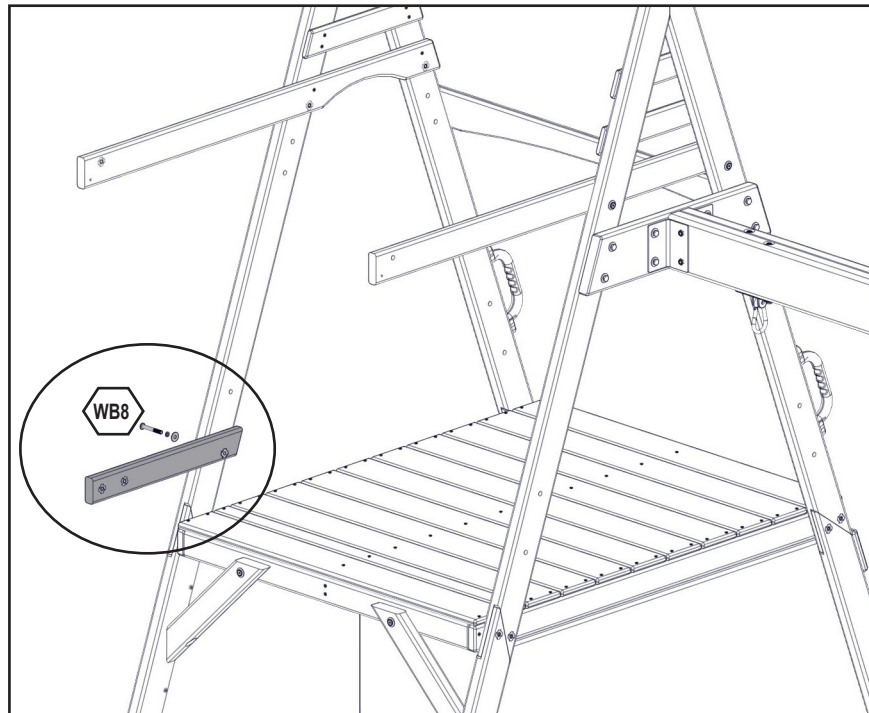
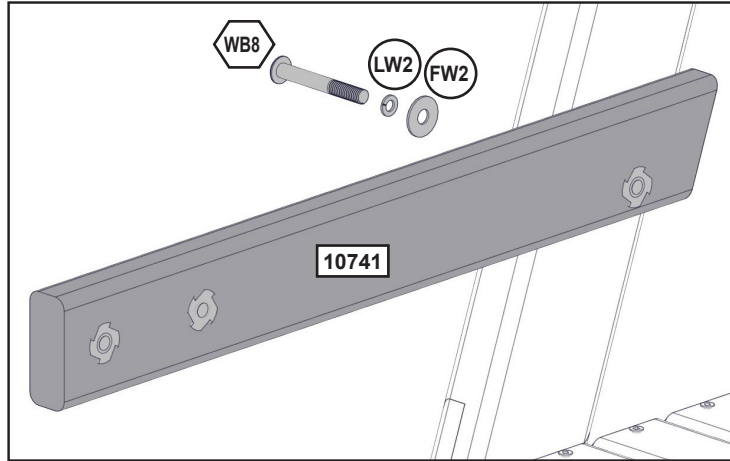
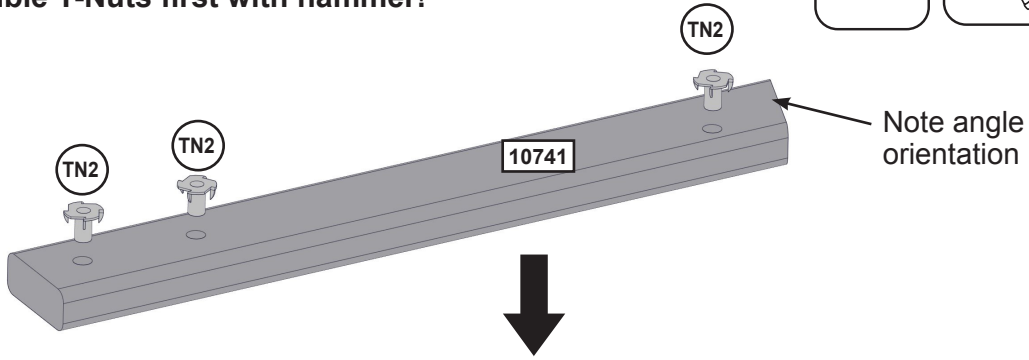


Hardware

4 x  6.4mm x 63.5 mm (1/4 x 2-1/2")

45

Note: Structure partly removed for clarity.
Assemble T-Nuts first with hammer!



Wood Parts

1 x 10741 25.4 x 63.5 x 491.3 mm (1" X 2 1/2" X 19 5/16")

Hardware

3 x TN2

1 x WB8 7.9mm x 60.3 mm (5/16 x 2-3/8")(FW2, LW2)



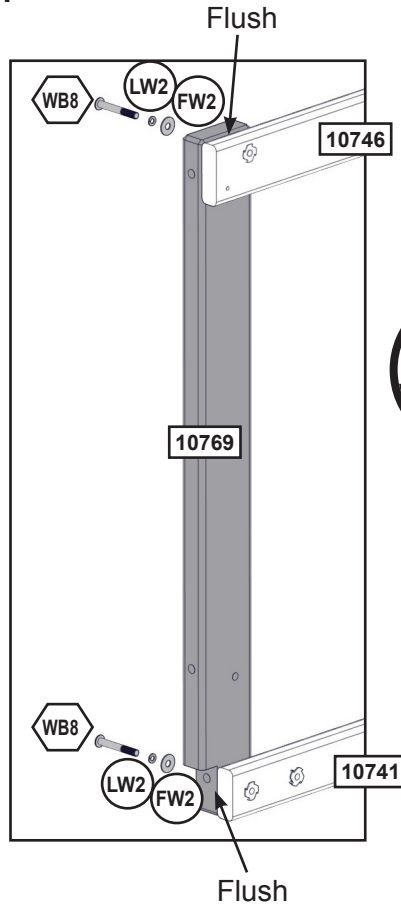
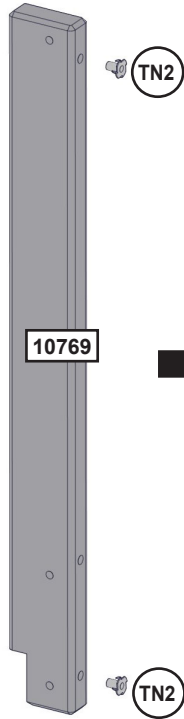
parts.kidkraft.com

customerservice@kidkraft.com
1.800.933.0771
972.385.0100

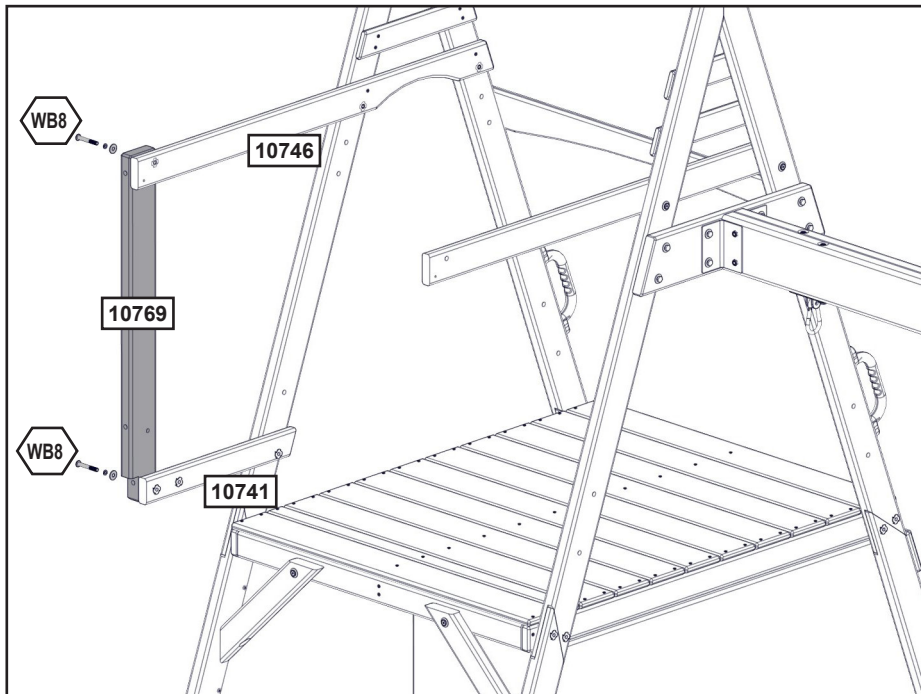
46 Note: Structure partly removed for clarity.
Assemble T-Nuts first with hammer!



These T-nuts will be used in a later step



Fasten the bolt to the outermost T-nuts on parts 10741, 10746



Wood Parts

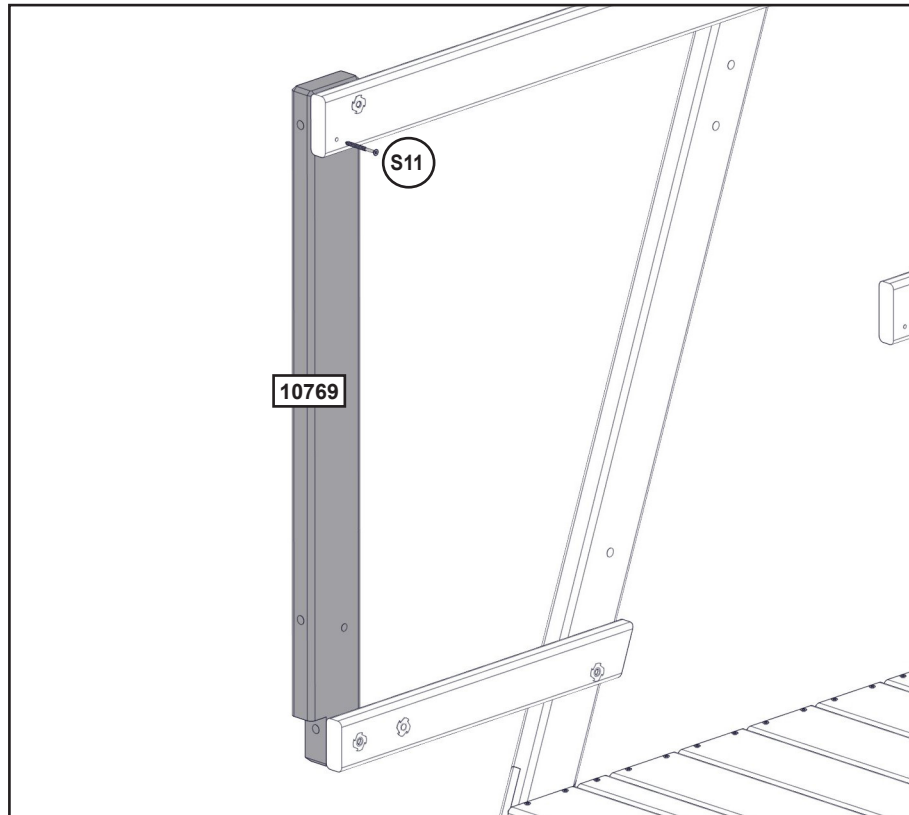
1 x 10769 34.9 x 85.7 x 850.9 mm (1 3/8" X 3 3/8" X 33 1/2")

Hardware

2 x TN2
2 x WB8 7.9mm x 60.3 mm (5/16 x 2-3/8") (FW2, LW2)



47 Note: Structure partly removed for clarity.

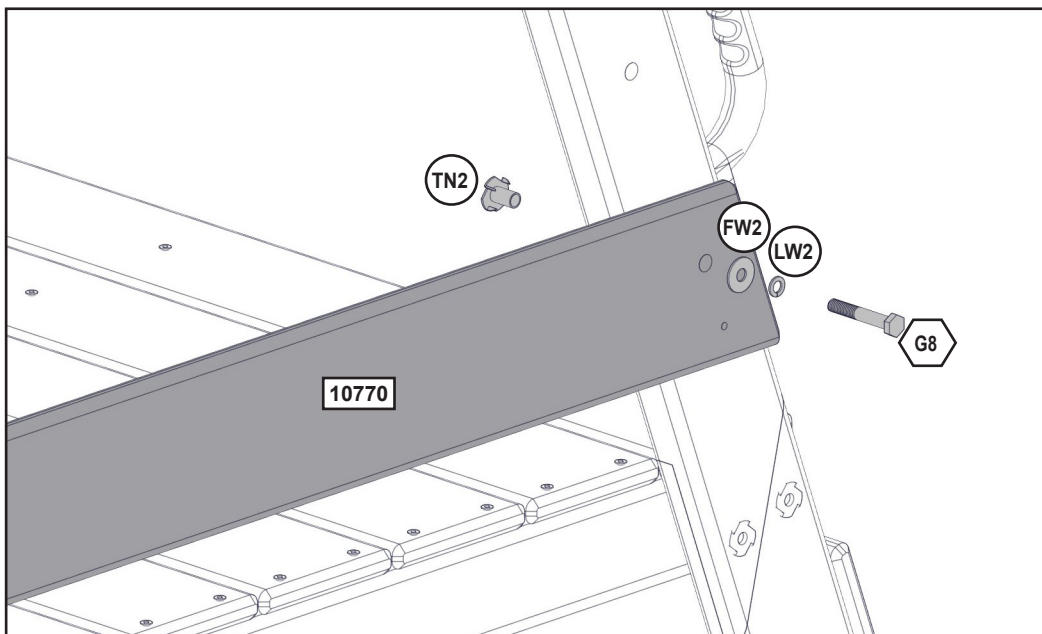
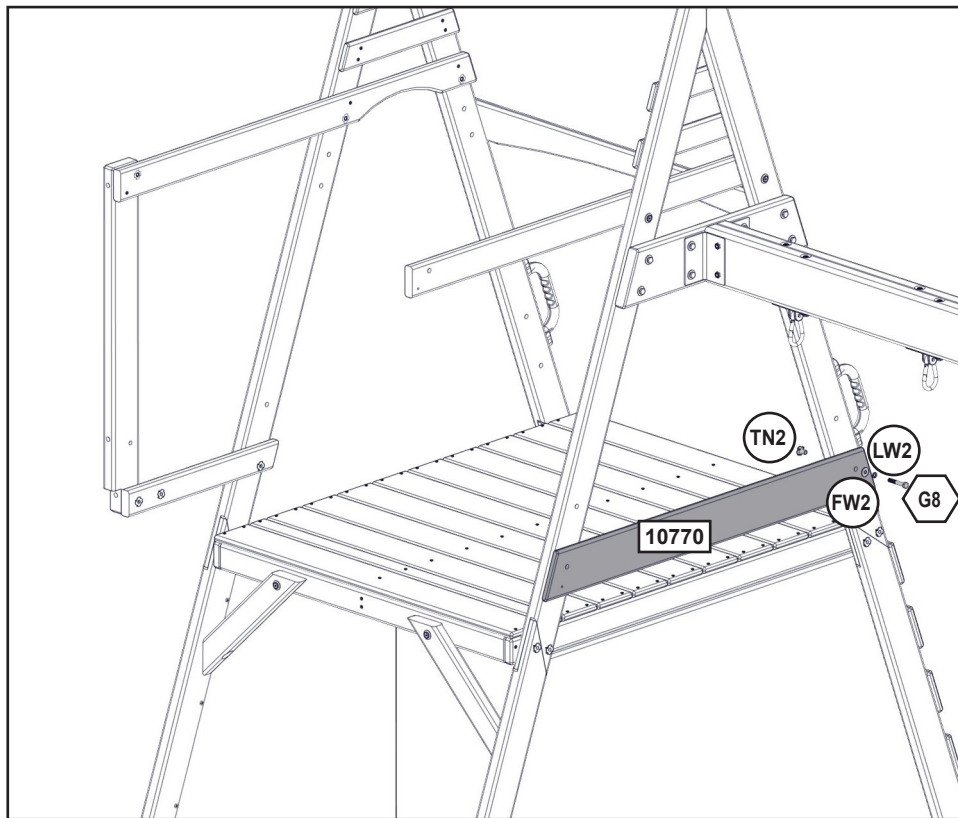


Hardware

1 x **S11** #8 x 50.8mm (#8 x 2")

48

Note: Structure partly removed for clarity.
Assemble T-Nuts first with hammer!



Wood Parts

1 x **10770** 15.9 x 114.3 x 1087.1 mm (5/8" x 4 1/2" x 42 13/16")

Hardware

1 x **G8** 7.9mm x 50.8mm (5/16" x 2") (FW2, LW2, TN2)

europecustomerservice@kidkraft.com
+31 20 305 8620
M-F from 09:00 to 17:30 (GMT+1)

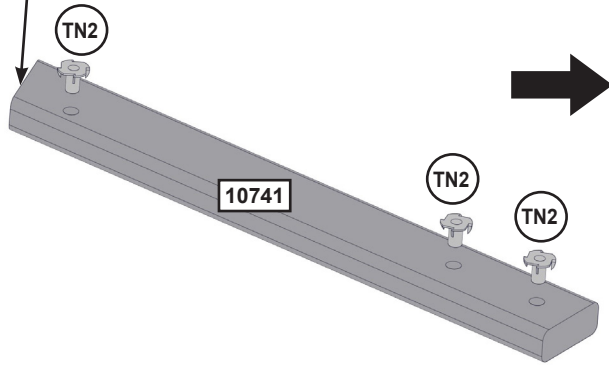
parts.kidkraft.eu



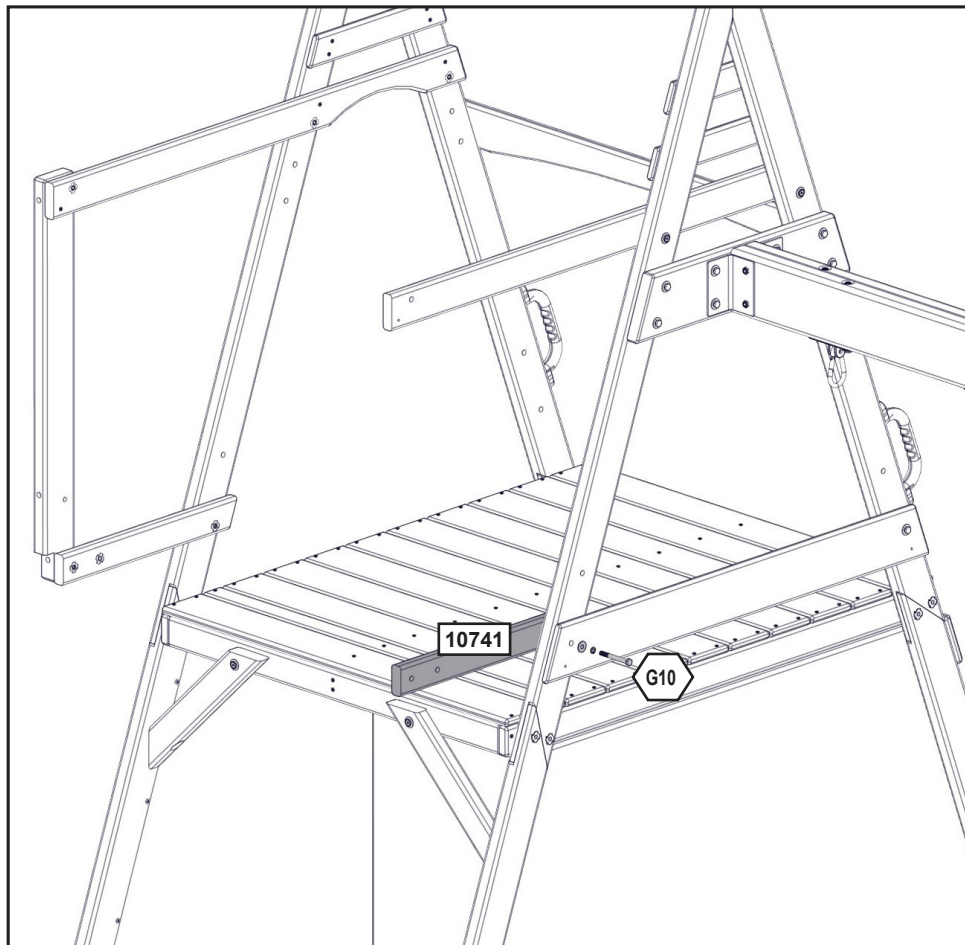
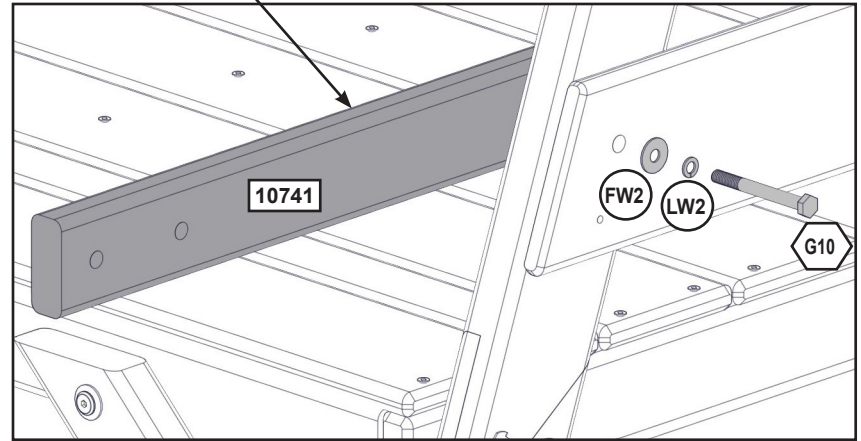
49 Note: Structure partly removed for clarity.
Assemble T-Nuts first with hammer!



Note angle orientation



T-Nut face inside of the fort



Wood Parts

1 x 10741 25.4 x 63.5 x 491.3 mm (1" X 2 1/2" X 19 5/16")

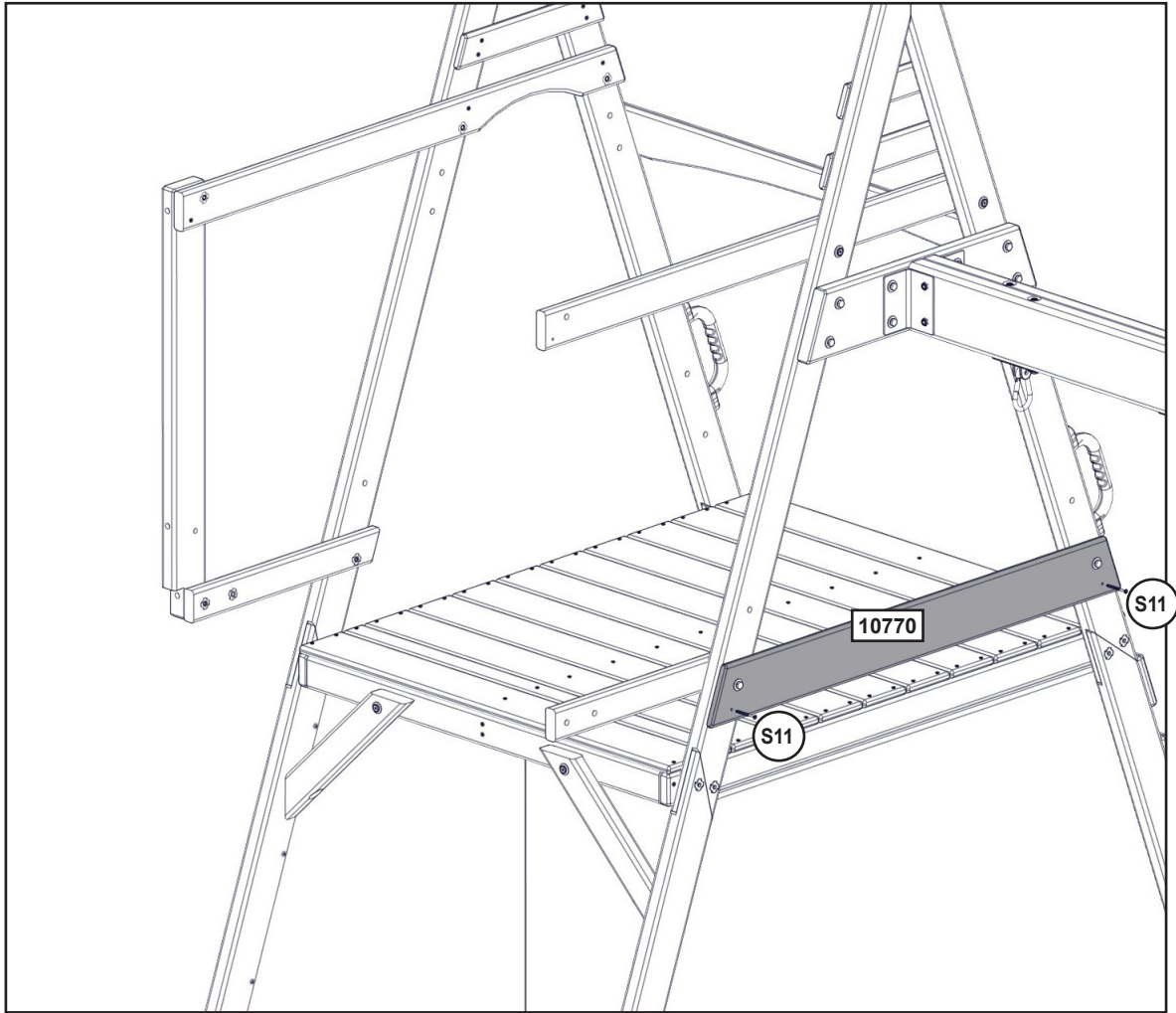
Hardware

3 x TN2

1 x G10 7.9mm x 76.2mm (5/16" x 3") (FW2, LW2)

50

Note: Structure partly removed for clarity.



Hardware

2 x (S11) #8 x 50.8mm (#8 x 2")

europcustomerservice@kidkraft.com
+31 20 305 8620
M-F from 09:00 to 17:30 (GMT+1)

parts.kidkraft.eu

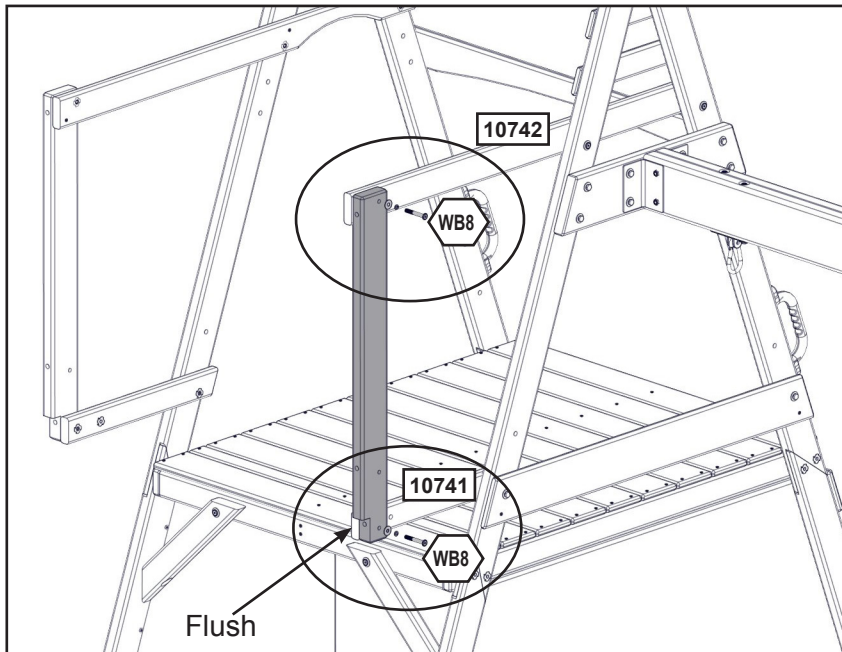
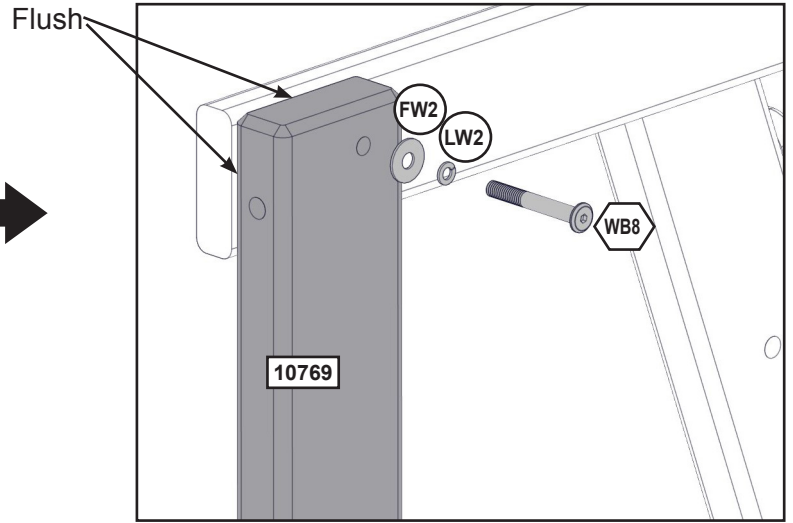
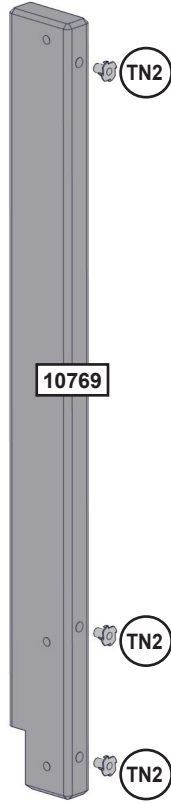


51 Note: Structure partly removed for clarity.
Assemble T-Nuts first with hammer!



These T-nuts will be used in a later step

Fasten the bolt to the outermost T-nuts on parts 10741, 10742.



Wood Parts

1 x 10769 34.9 x 85.7 x 850.9 mm (1 3/8" X 3 3/8" X 33 1/2")

Hardware

3 x TN2
2 x WB8 7.9mm x 60.3 mm (5/16 x 2-3/8")(FW2, LW2)

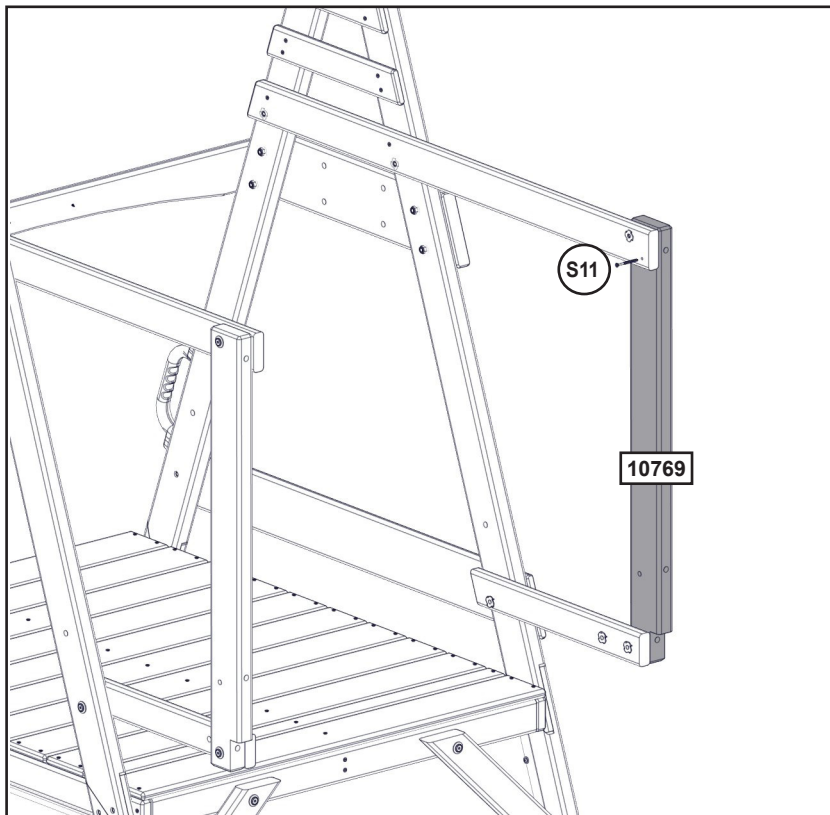
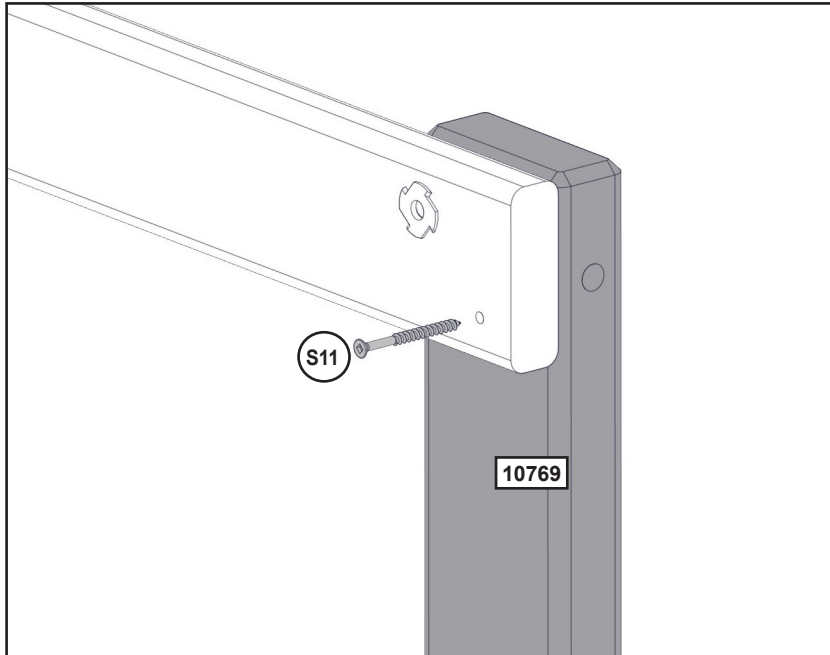


parts.kidkraft.com

customerservice@kidkraft.com
1.800.933.0771
972.385.0100

52

Note: Structure partly removed for clarity.

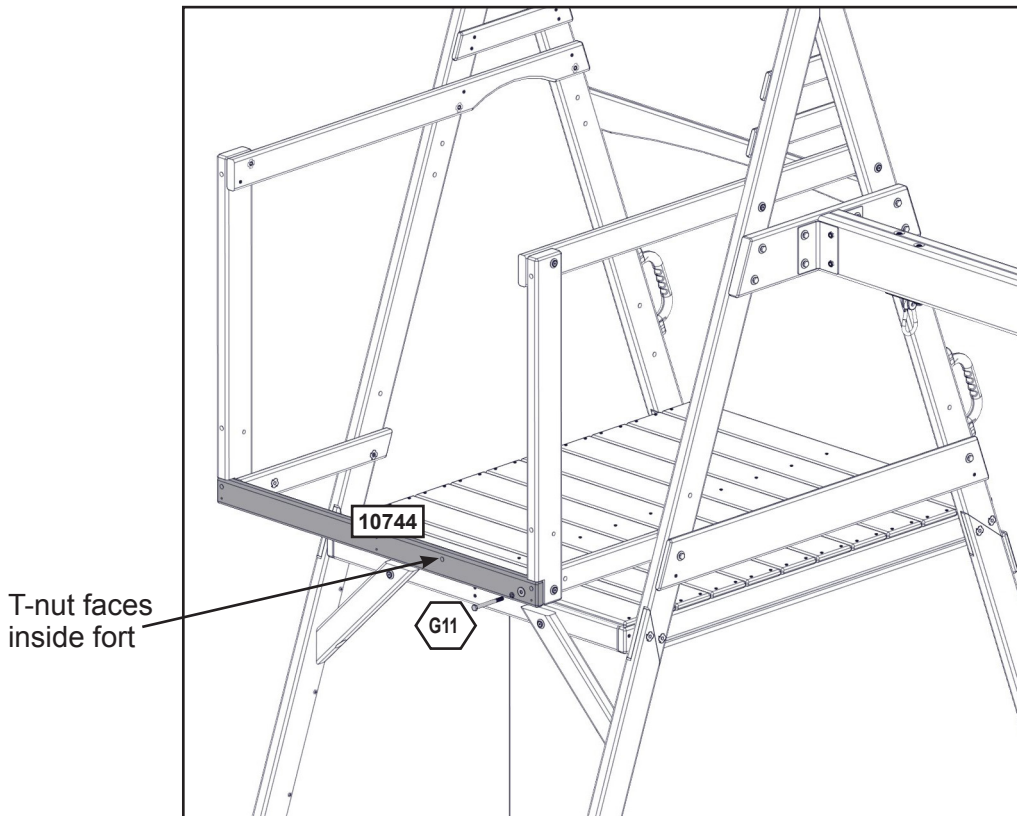
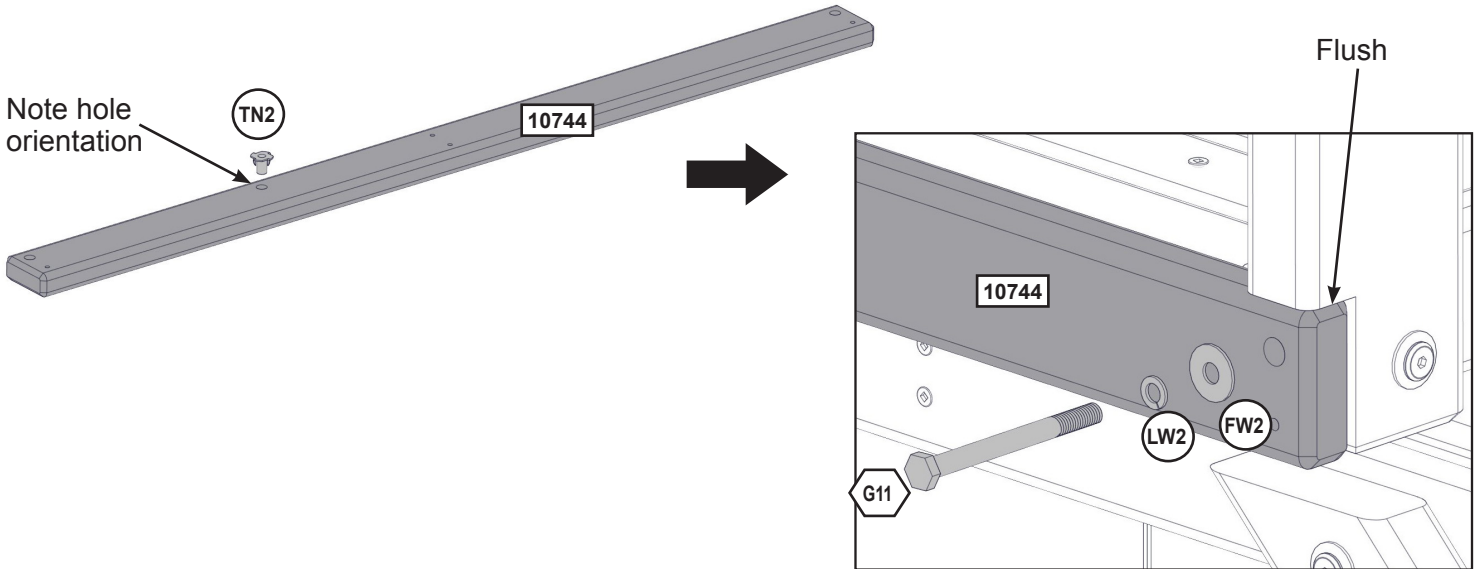
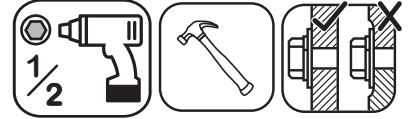


Hardware

1 x S11 #8 x 50.8mm (#8 x 2")



53 Note: Structure partly removed for clarity.
Assemble T-Nuts first with hammer!



Wood Parts

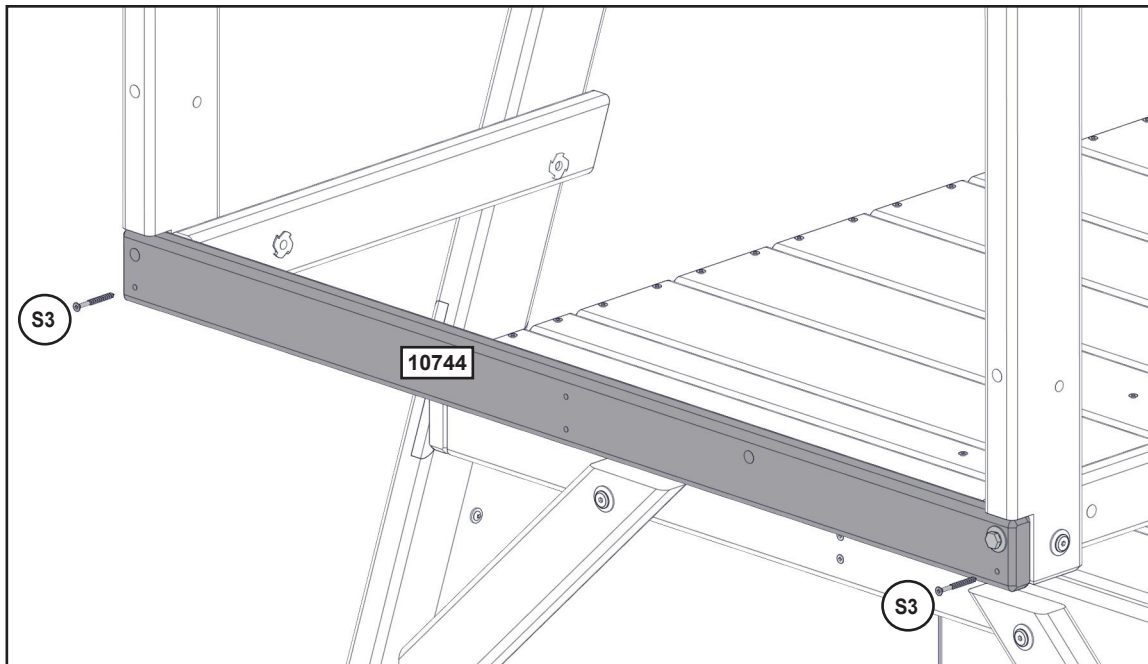
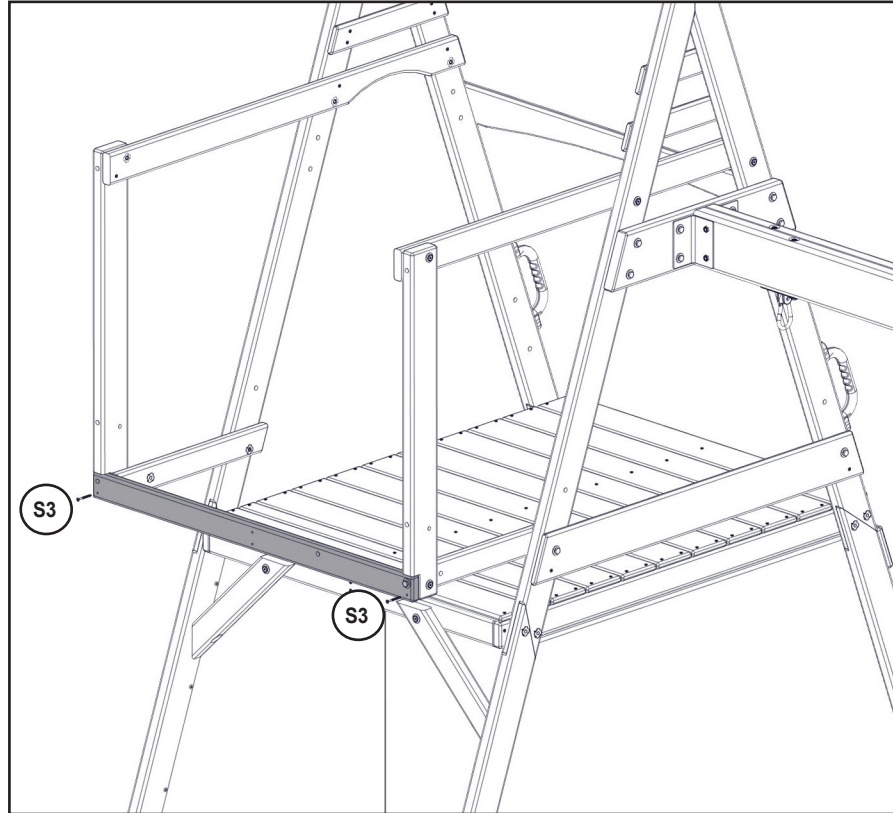
1 x 10744 25.4 x 63.5 x 1035 mm (1" X 2 1/2" X 40 3/4")

Hardware

1 x TN2
1 x G11 7.9mm x 88.9 mm (5/16 x 3-1/2") (FW2, LW2)

54

Note: Structure partly removed for clarity.

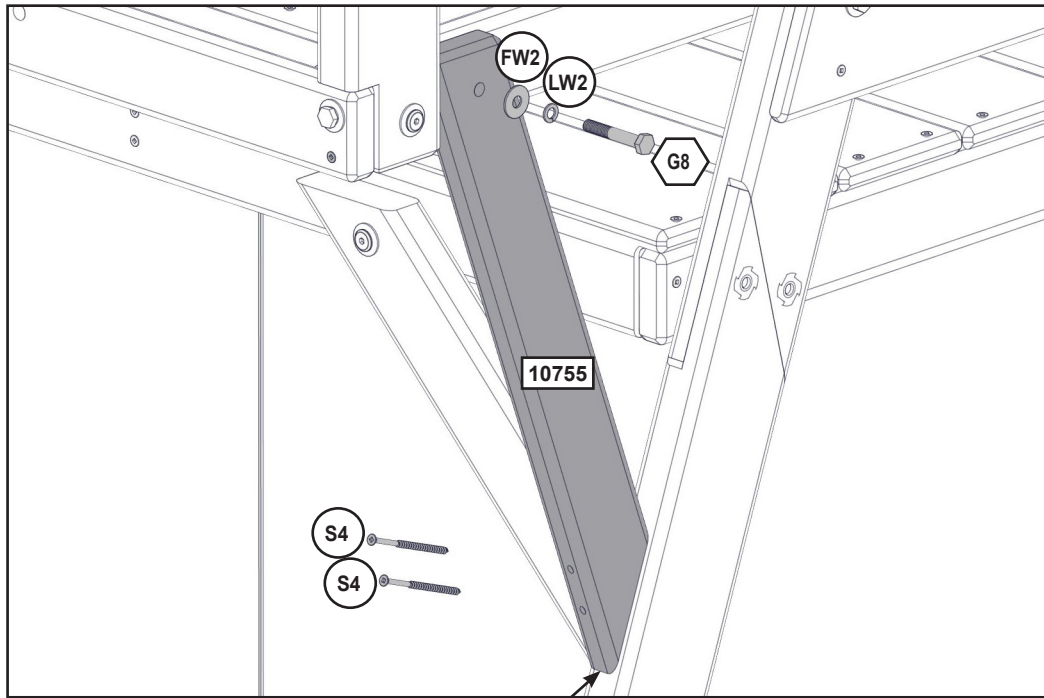
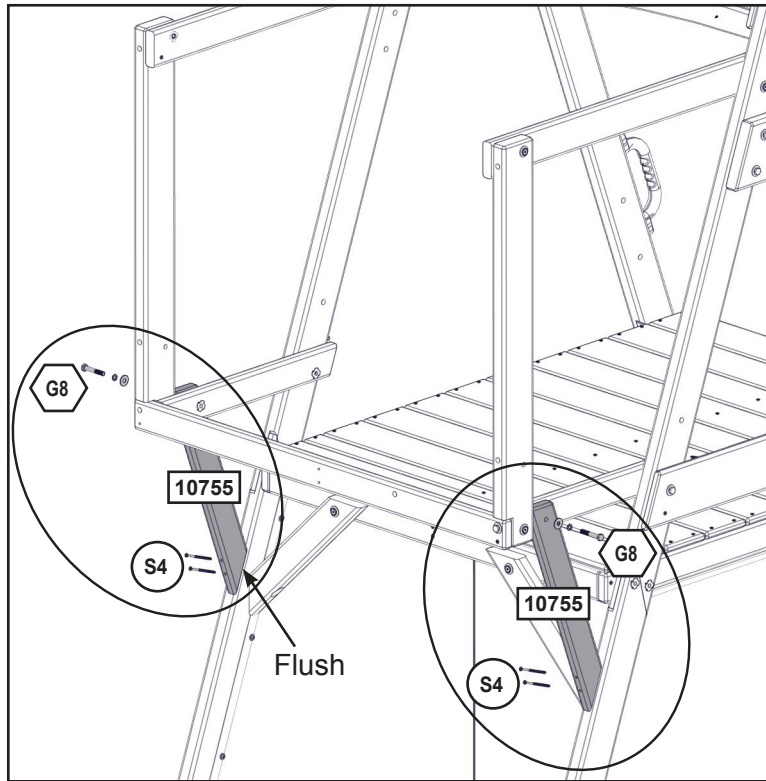
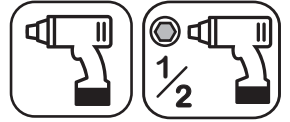


Hardware

2 x  #8 x 63.5mm (#8 x 2-1/2")



55 Note: Structure partly removed for clarity.



Flush

Wood Parts

2 x 10755 25.4 x 63.5 x 500 mm (1" X 2 1/2" X 19 11/16")

Hardware

2 x G8 7.9mm x 50.8mm (5/16" x 2")(FW2, LW2)

4 x S4 #8 x 76.2mm (#8 x 3")

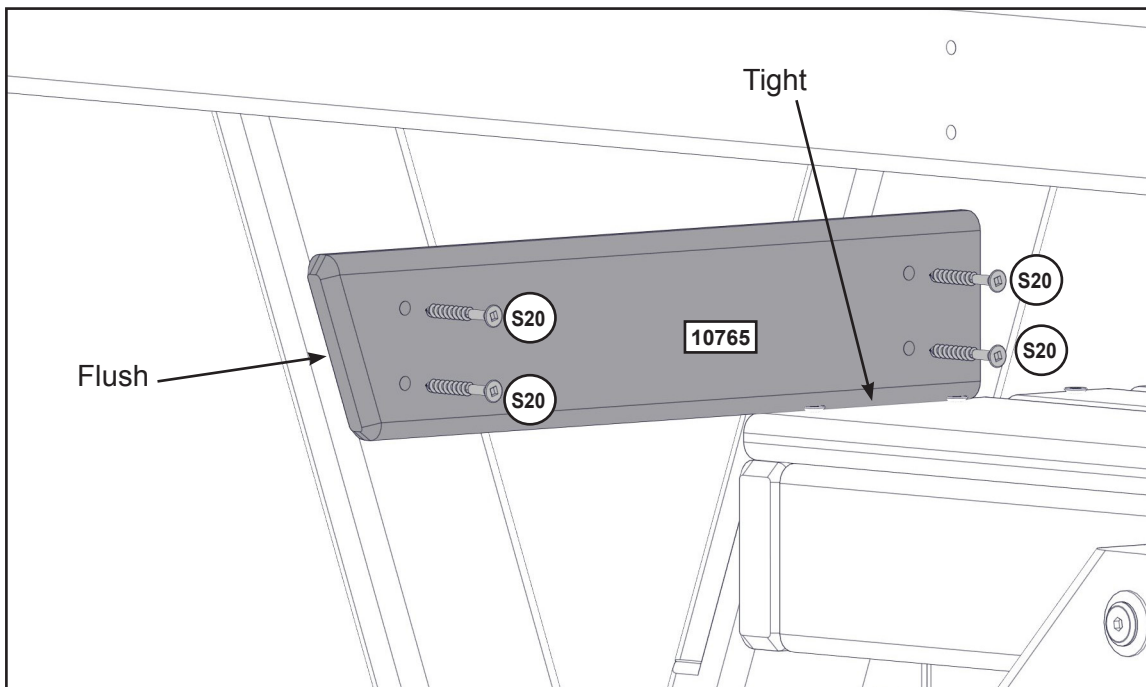
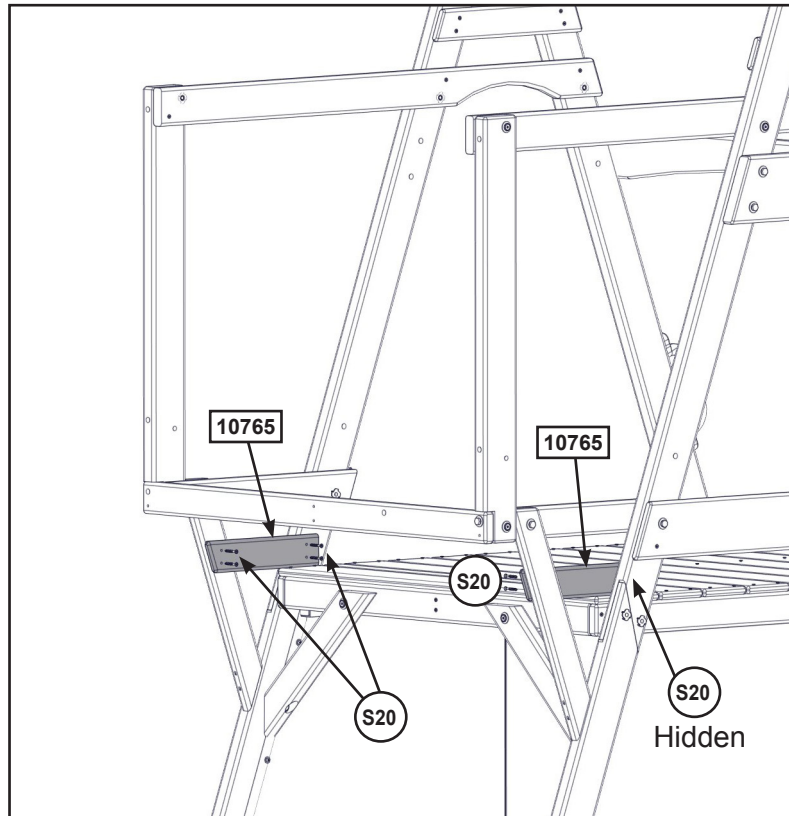


parts.kidkraft.com

customerservice@kidkraft.com
1.800.933.0771
972.385.0100

56

Note: Structure partly removed for clarity.



Wood Parts

2 x 10765 15.9 x 63.5 x 293 mm (5/8" X 2 1/2" X 11 9/16")

Hardware

8 x S20 #8 x 34.9mm (#8 x 1-3/8")

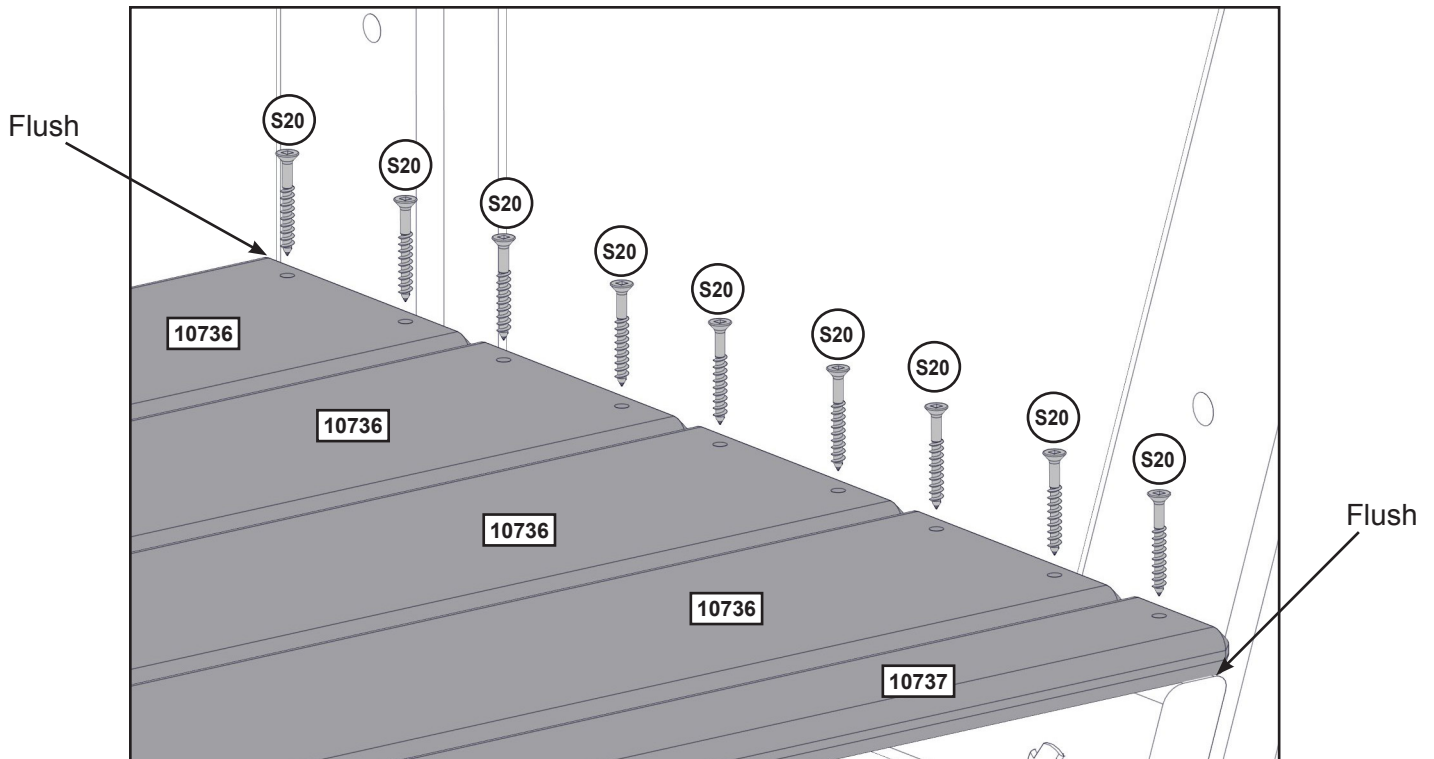
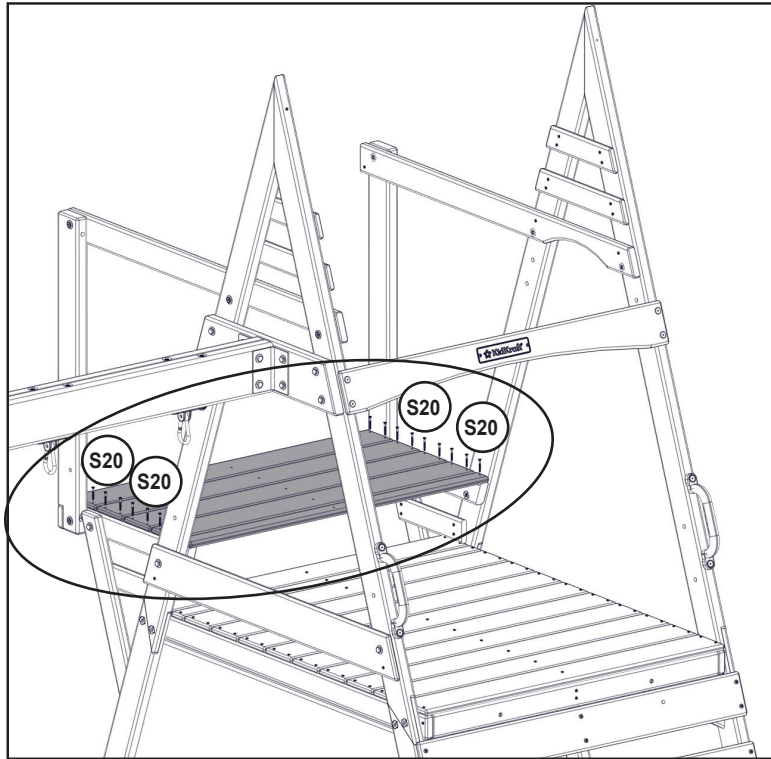
europcustomerservice@kidkraft.com
+31 20 305 8620
M-F from 09:00 to 17:30 (GMT+1)

parts.kidkraft.eu



57

Note: Structure partly removed for clarity.
Evenly space the boards



Wood Parts

- 4 x 10736 15.9 x 114.3 x 963 mm (5/8" X 4 1/2" X 37 15/16")
- 1 x 10737 15.9 x 53.5 x 963 mm (5/8" X 2 1/8" X 37 15/16")

Hardware

- 18 x S20 #8 x 34.9mm (#8 x 1-3/8")

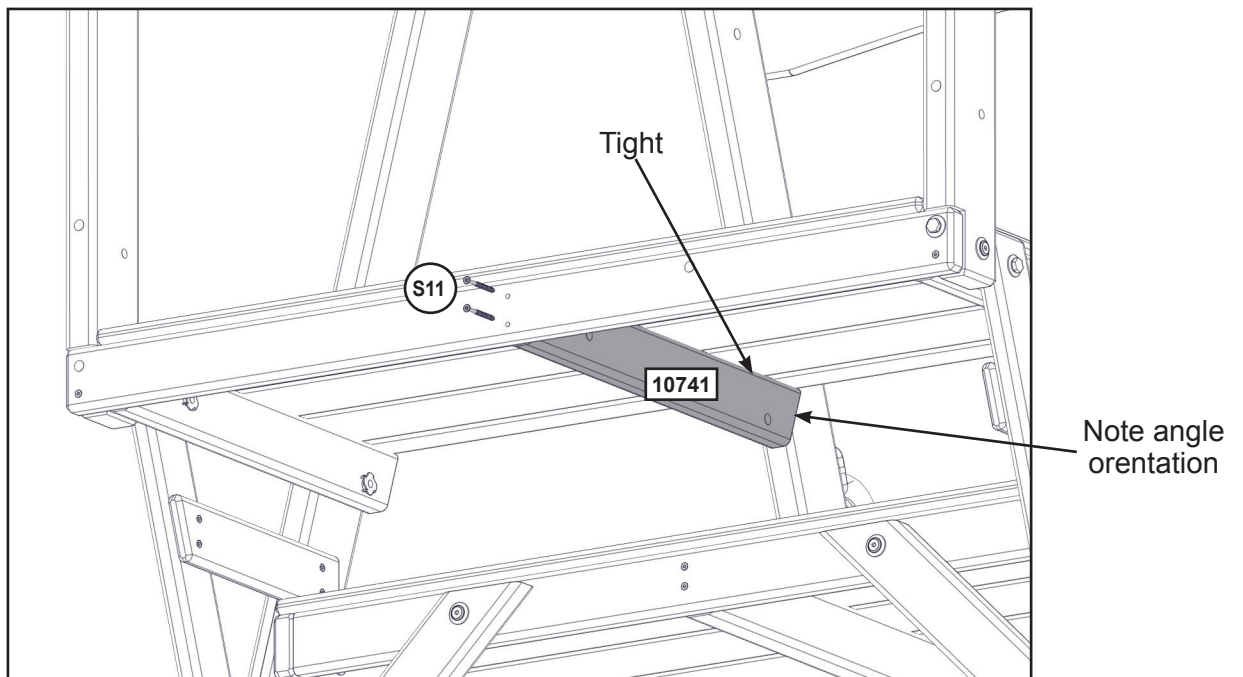
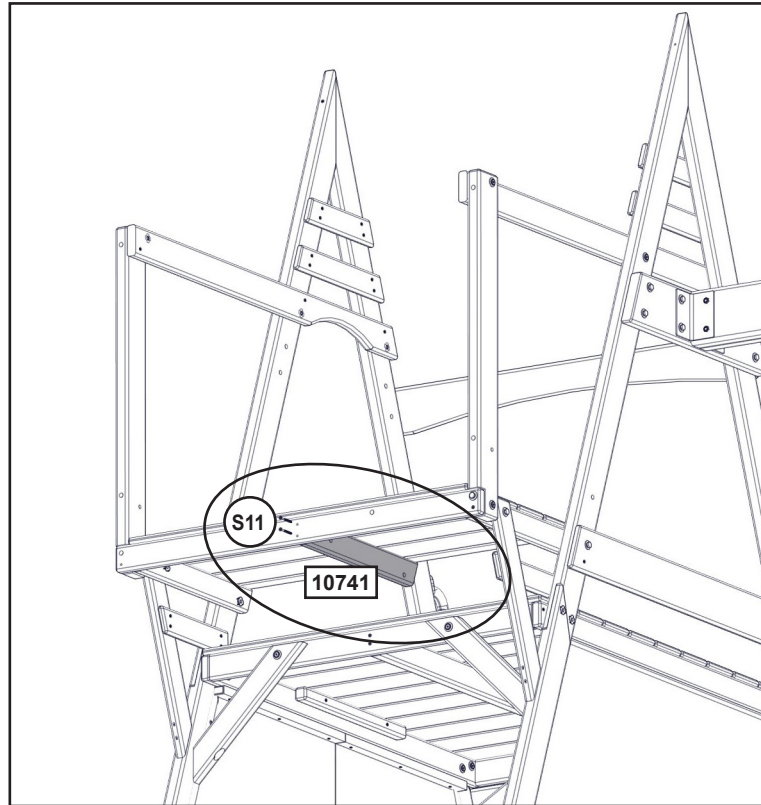


parts.kidkraft.com

customerservice@kidkraft.com
1.800.933.0771
972.385.0100

58

Note: Structure partly removed for clarity.



Wood Parts

1 x 10741 25.4 x 63.5 x 491.3 mm (1" X 2 1/2" X 19 5/16")

Hardware

2 x S11 #8 x 50.8mm (#8 x 2")

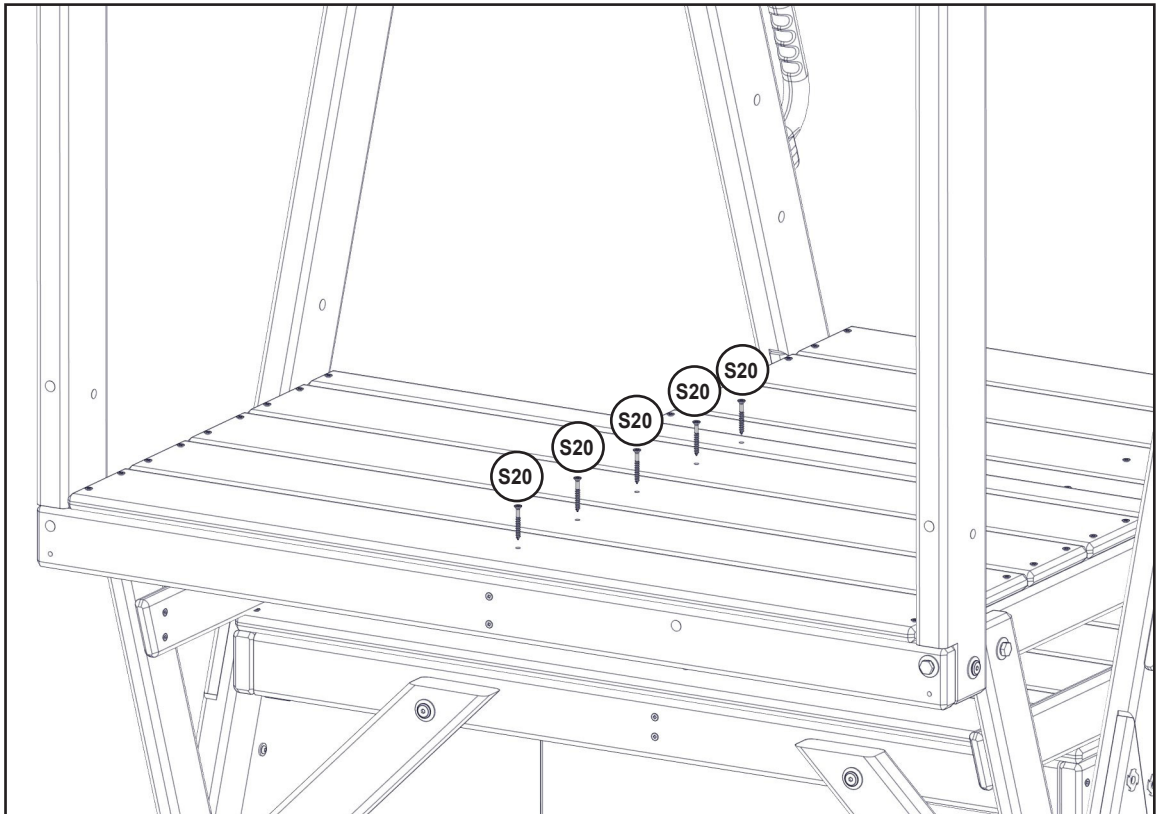
europecustomerservice@kidkraft.com
+31 20 305 8620
M-F from 09:00 to 17:30 (GMT+1)

parts.kidkraft.eu




59

Note: Structure partly removed for clarity.

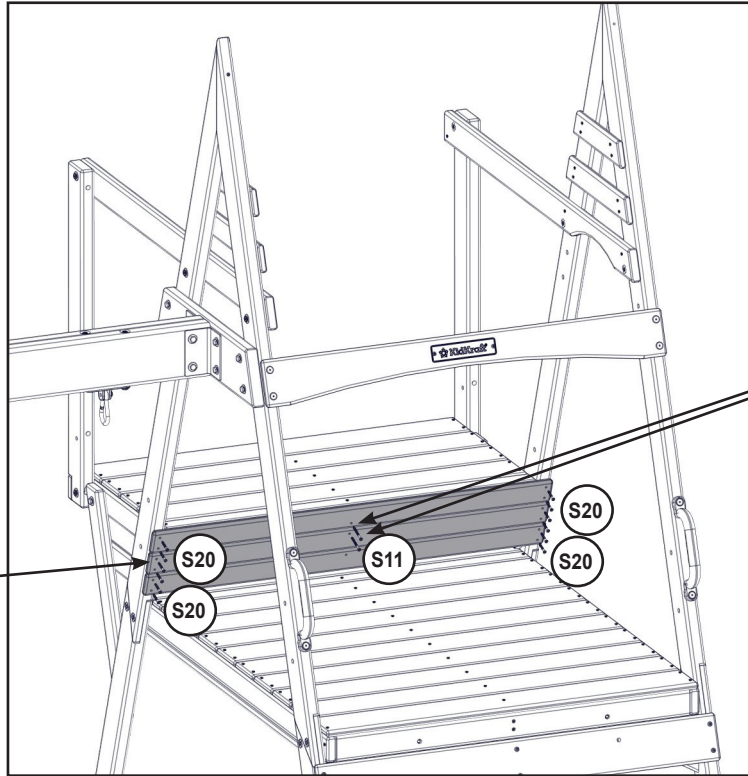


Hardware

5 x  #8 x 34.9mm (#8 x 1-3/8")

60

Note: Structure partly removed for clarity.



Flush

Note hole orientation

S20

S11

S20

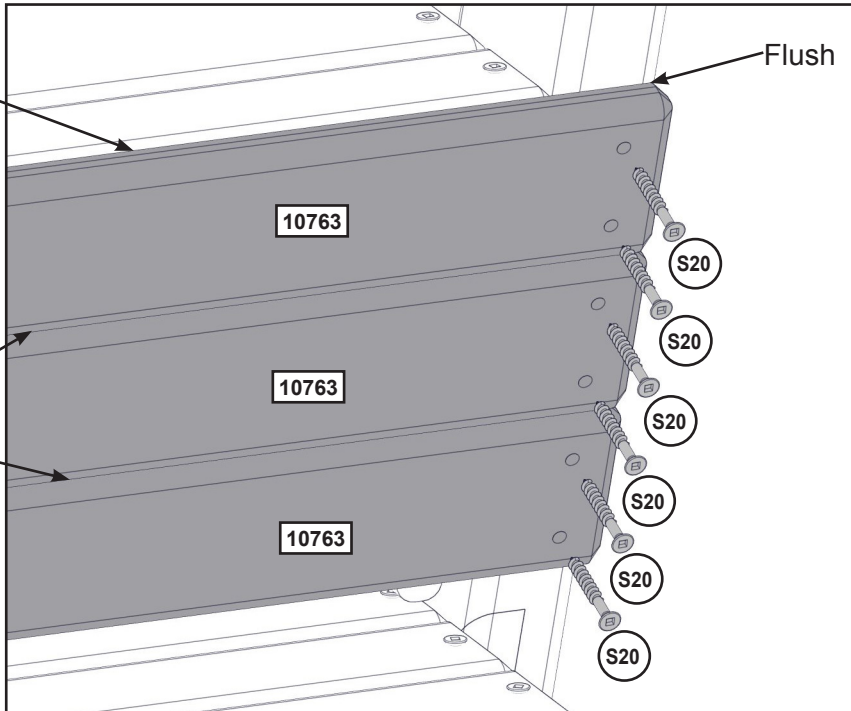
S20

S20

Flush

Flush

Tight



10763

10763

10763

S20

S20

S20

S20

S20

S20

S20

Wood Parts

3 x 10763 15.9 x 63.5 x 1035 mm (5/8" X 2 1/2" X 40 3/4")

Hardware

12 x S20 #8 x 34.9mm (#8 x 1-3/8")

2 x S11 #8 x 50.8mm (#8 x 2")

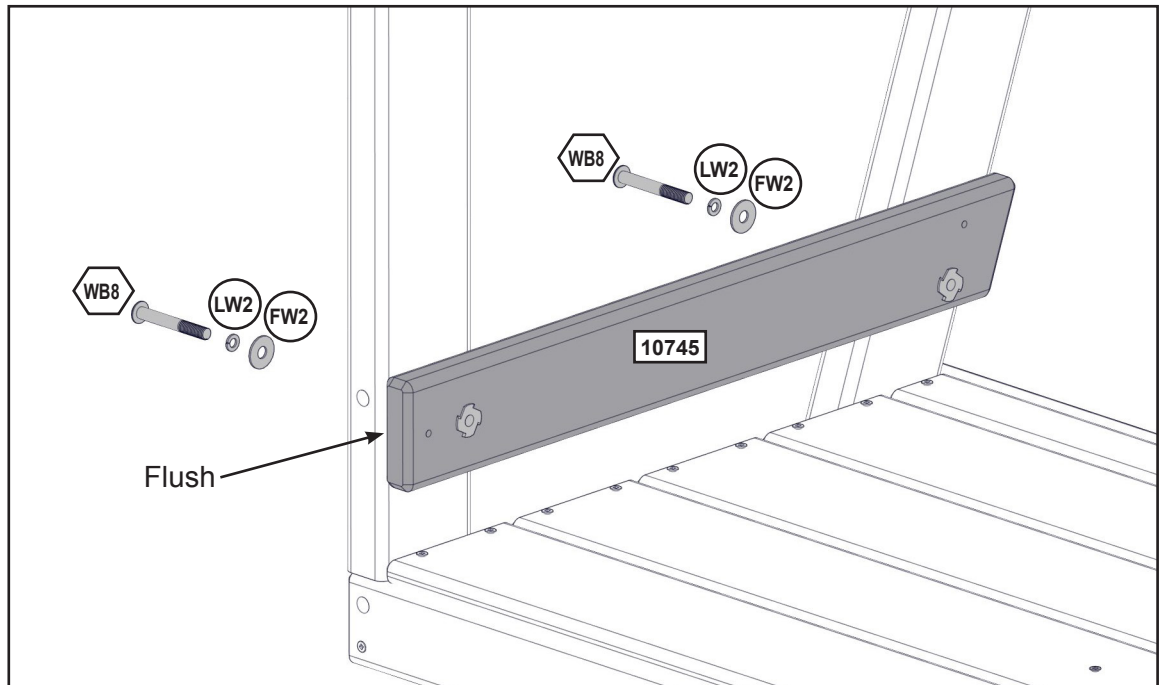
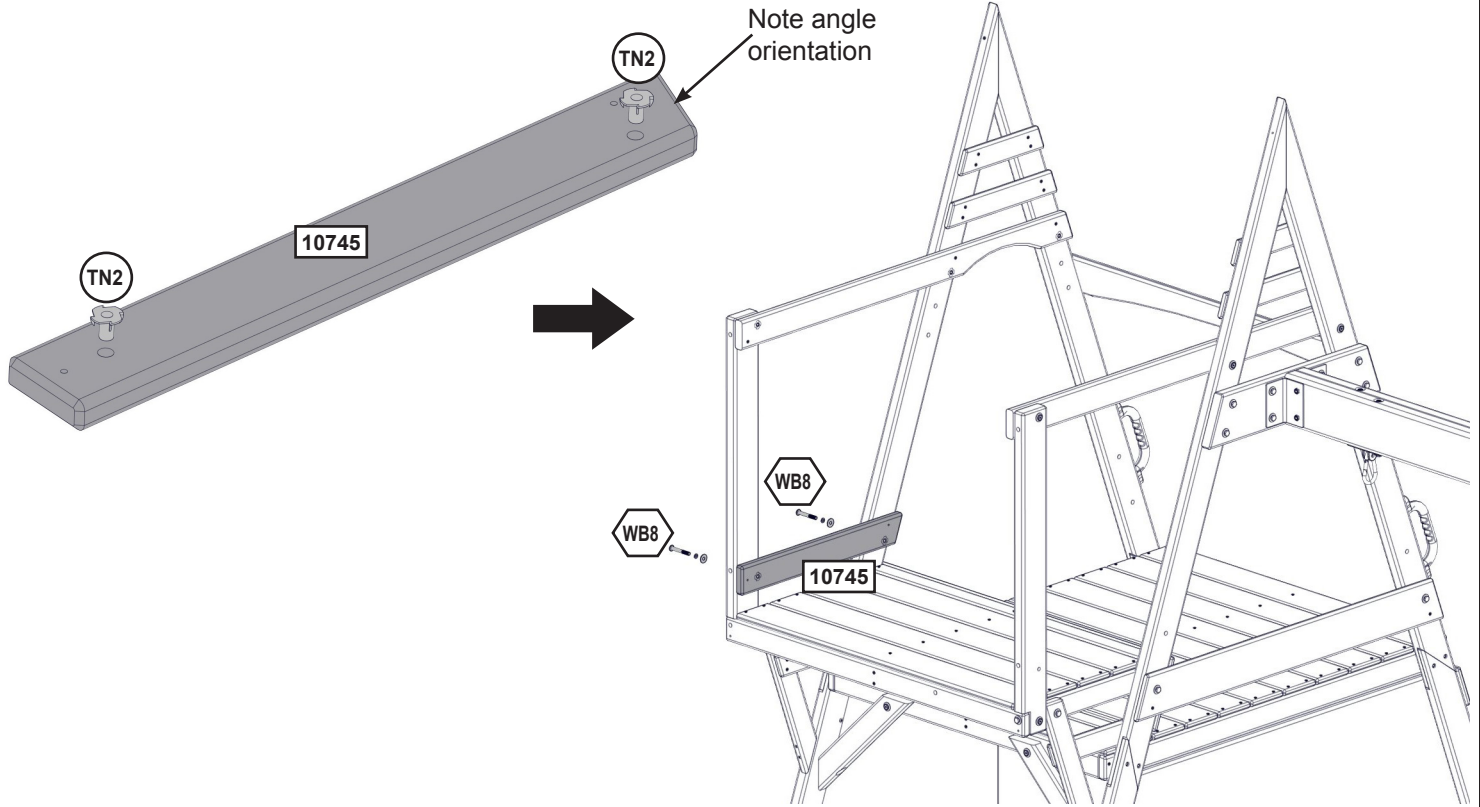
europecustomerservice@kidkraft.com
+31 20 305 8620
M-F from 09:00 to 17:30 (GMT+1)

parts.kidkraft.eu



61

Note: Structure partly removed for clarity.
Assemble T-Nuts first with hammer!



Wood Parts

1 x 10745 23.8 x 76.2 x 568.7 mm (15/16" X 3" X 22 5/16")

Hardware

2 x TN2
2 x WB8 7.9mm x 60.3 mm (5/16 x 2-3/8")(FW2, LW2)

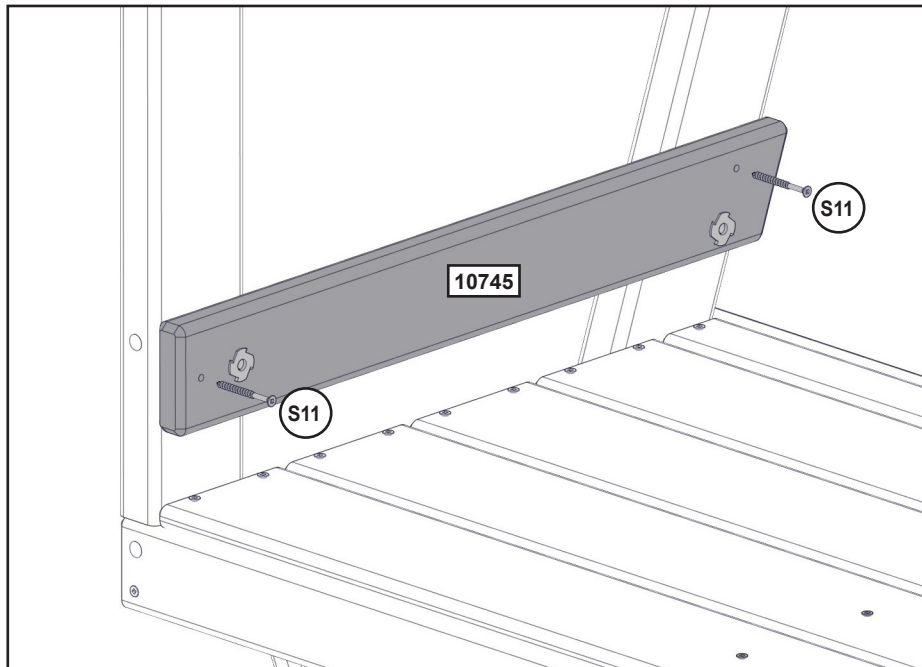
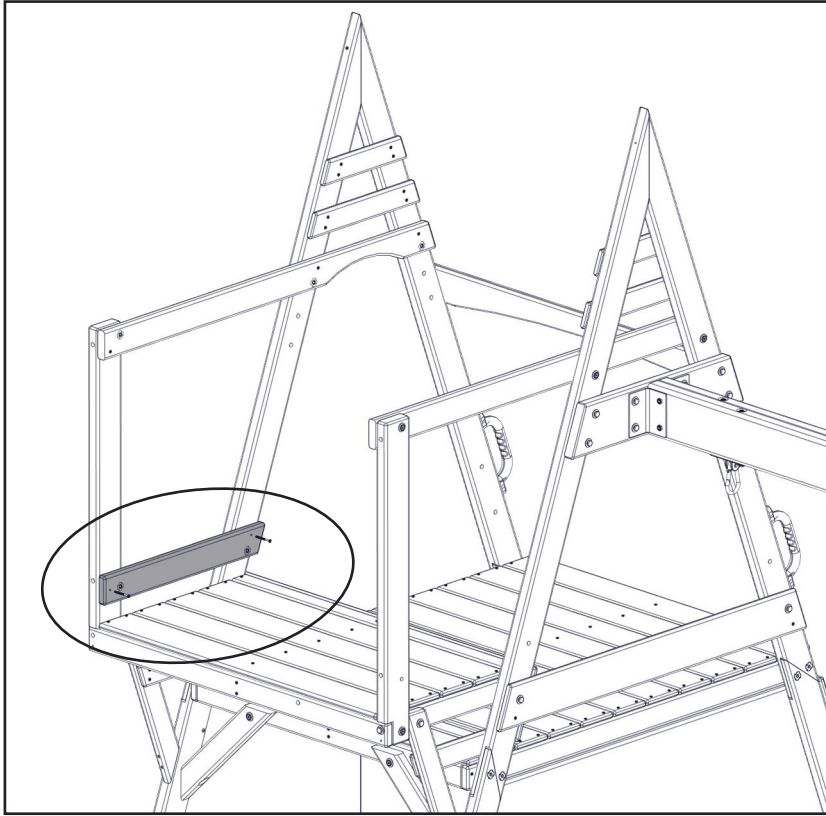


parts.kidkraft.com

customerservice@kidkraft.com
1.800.933.0771
972.385.0100

62

Note: Structure partly removed for clarity.



Hardware

2 x (S11) #8 x 50.8mm (#8 x 2")

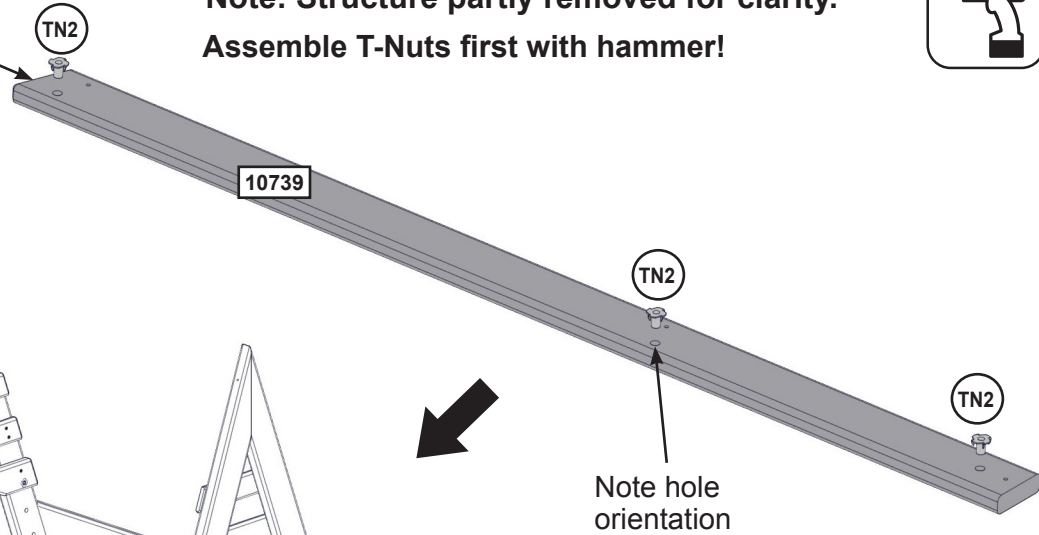


63

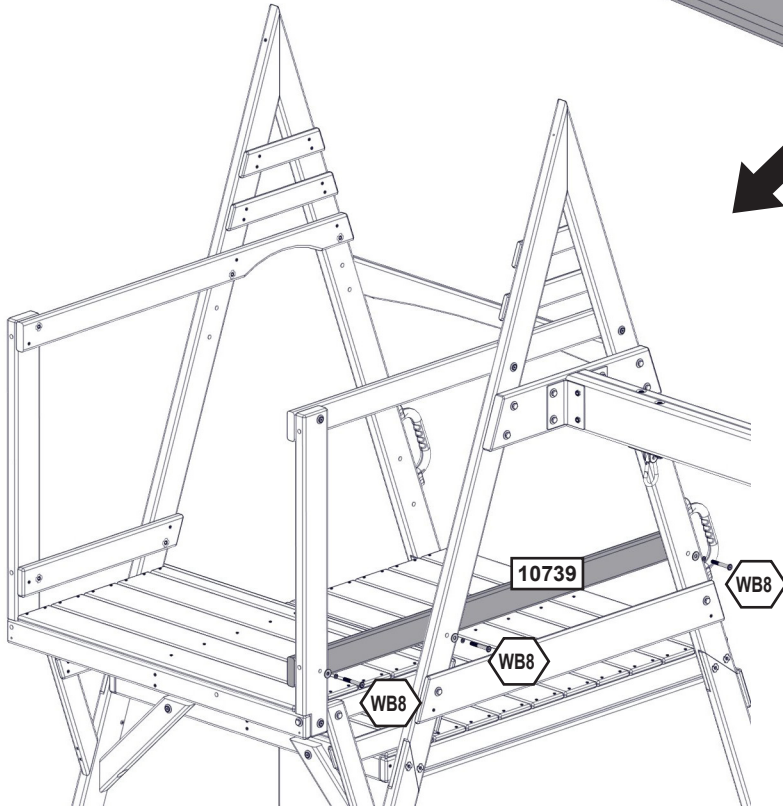
Note: Structure partly removed for clarity.
Assemble T-Nuts first with hammer!



Note the angled cut

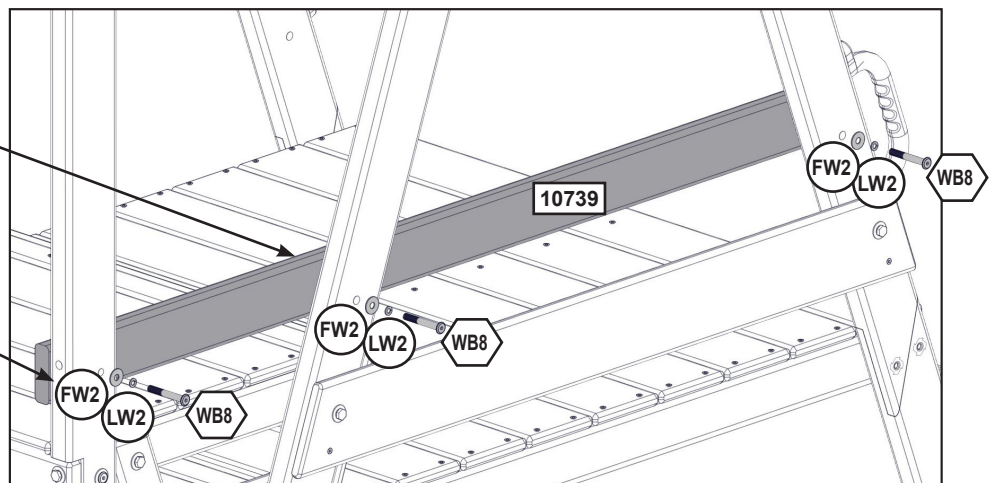


Note hole orientation



T-Nut's face inside of the fort

Flush



Wood Parts

1 x 10739 23.8 x 76.2 x 1404.3 mm (15/16" X 3" X 55 5/16")

Hardware

3 x TN2
3 x WB8 7.9mm x 60.3 mm (5/16 x 2-3/8")(FW2, LW2)

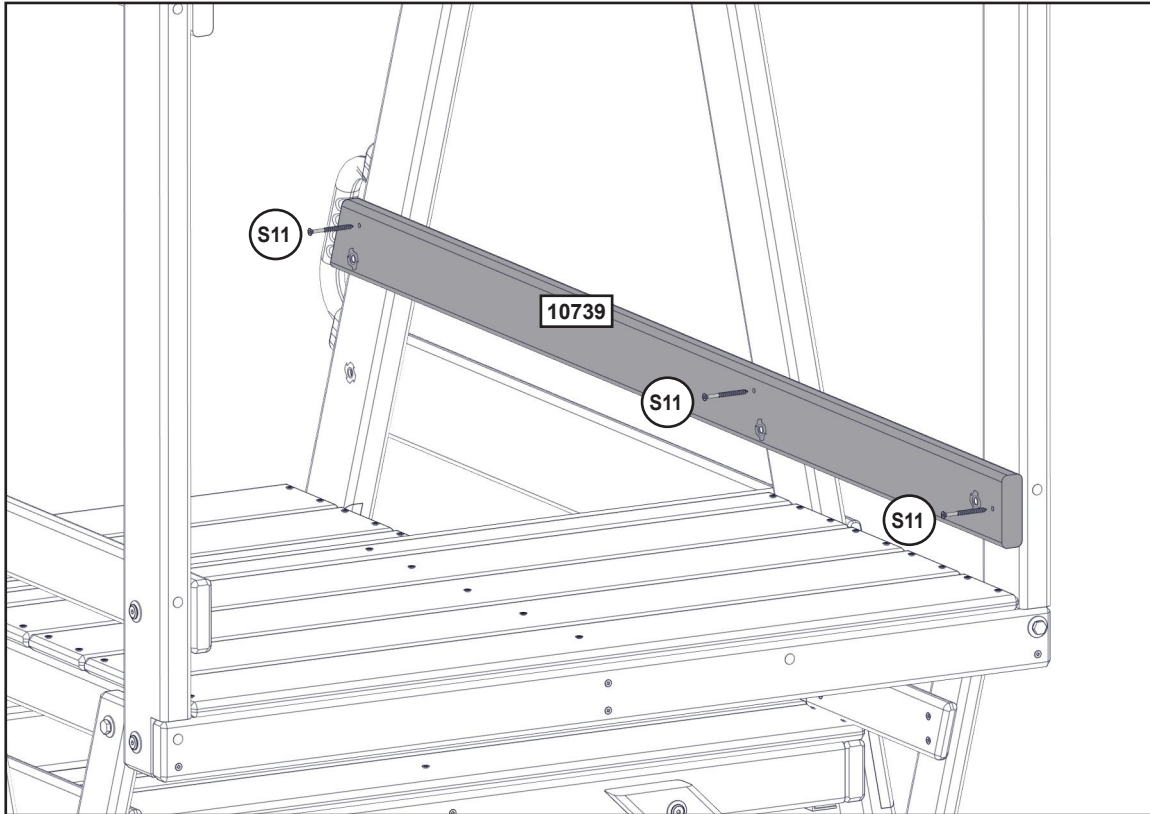


parts.kidkraft.com

customerservice@kidkraft.com
1.800.933.0771
972.385.0100

64

Note: Structure partly removed for clarity.

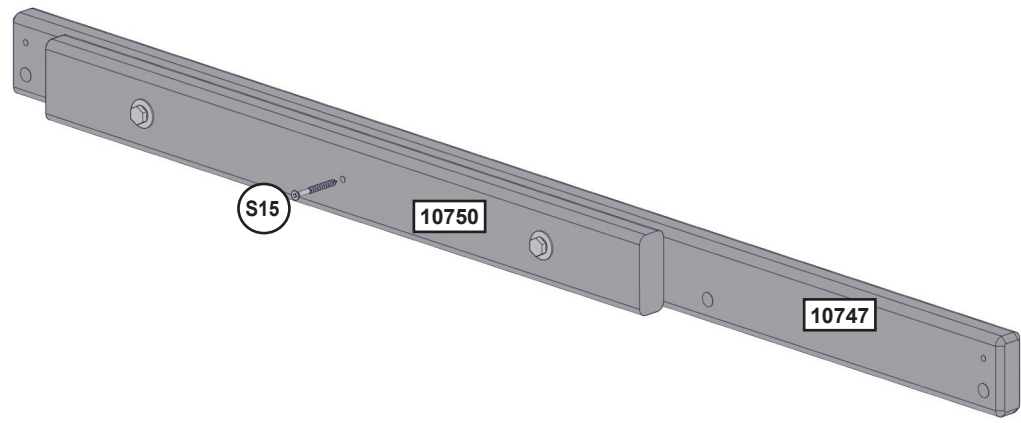
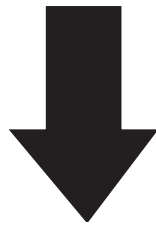
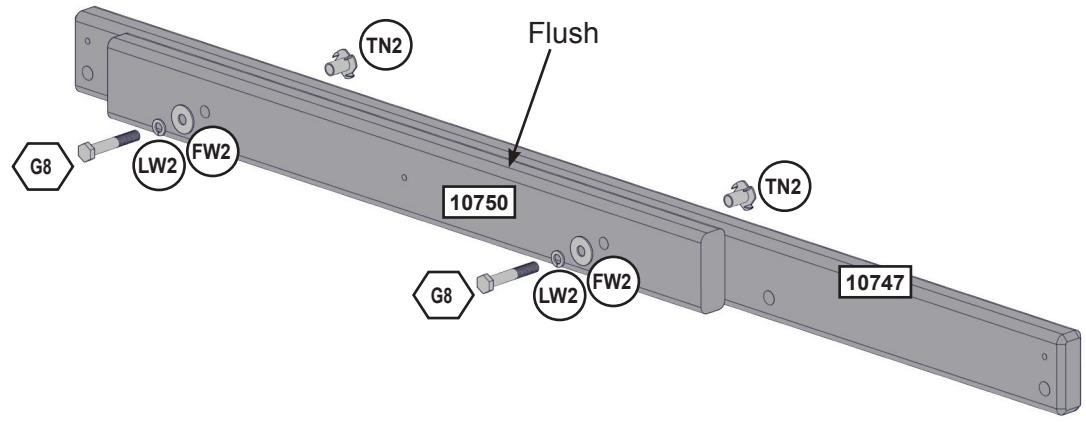
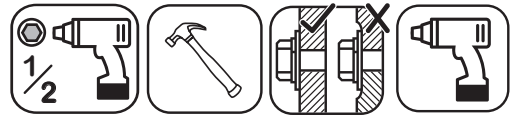


Hardware

3 x (S11) #8 x 50.8mm (#8 x 2")



Assemble T-Nuts first with hammer!

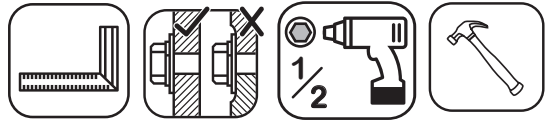


Wood Parts

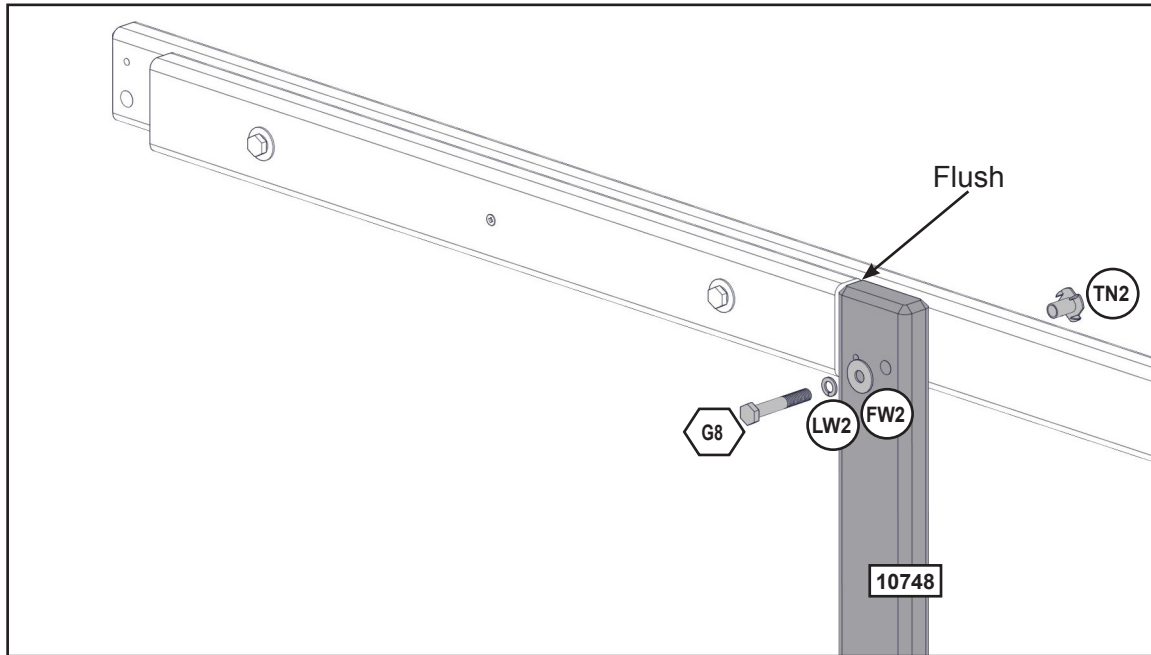
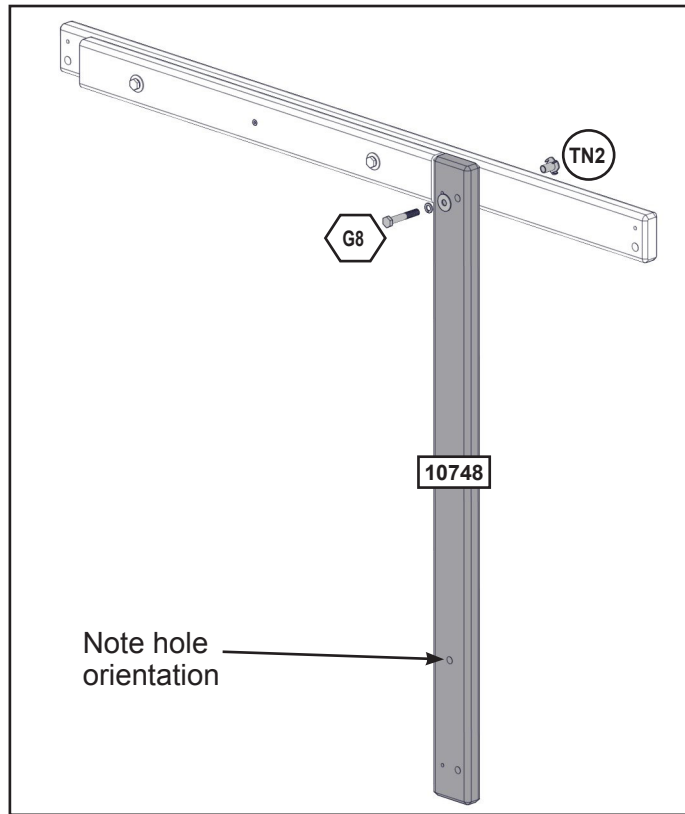
- 1 x 10747 25.4 x 63.5 x 1035 mm (1" X 2 1/2" X 40 3/4")
- 1 x 10750 25.4 x 63.5 x 620 mm (1" X 2 1/2" X 24 7/16")

Hardware

- 1 x S15 #8 x 44.5mm (#8 x 1-3/4")
- 2 x G8 7.9mm x 50.8mm (5/16" x 2") (FW2, LW2, TN2)



Assemble T-Nuts first with hammer!



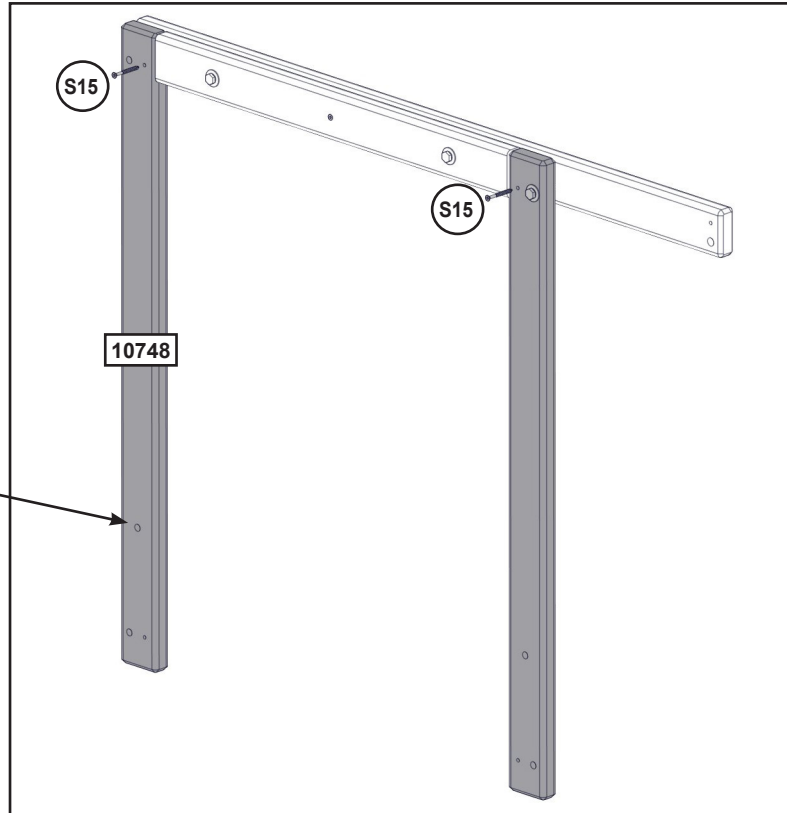
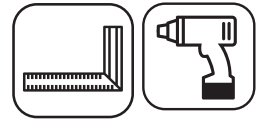
Wood Parts

1 x 10748 25.4 x 63.5 x 850.9 mm (1" X 2 1/2" X 33 1/2")

Hardware

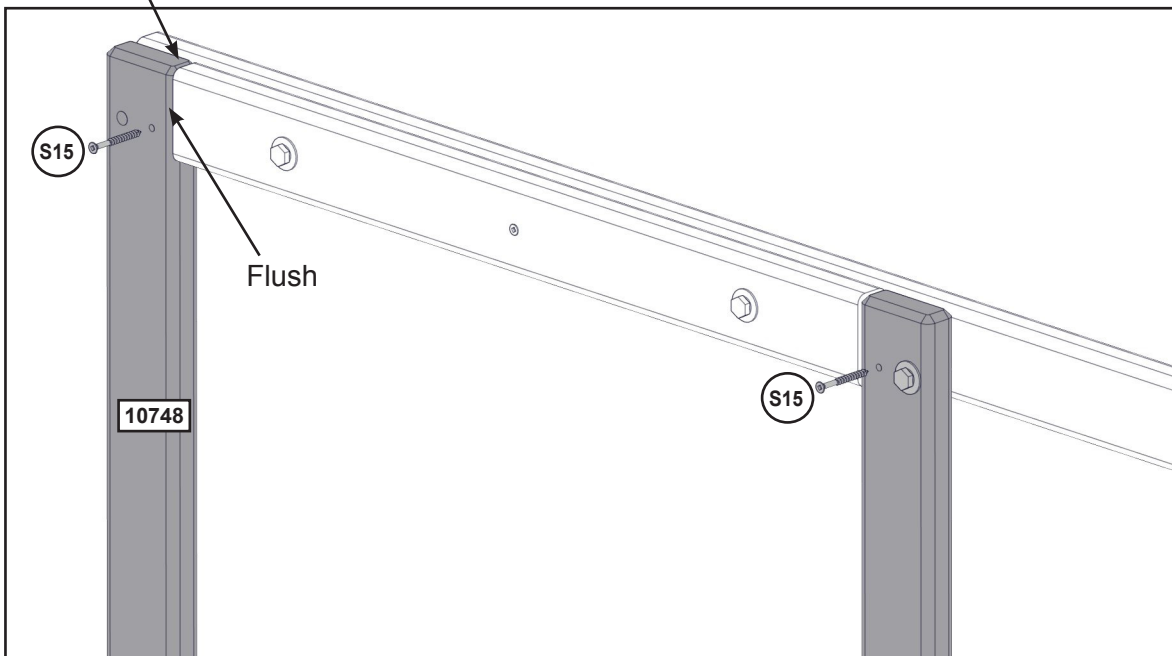
1 x G8 7.9mm x 50.8mm (5/16" x 2") (FW2, LW2, TN2)





Note hole orientation

Flush

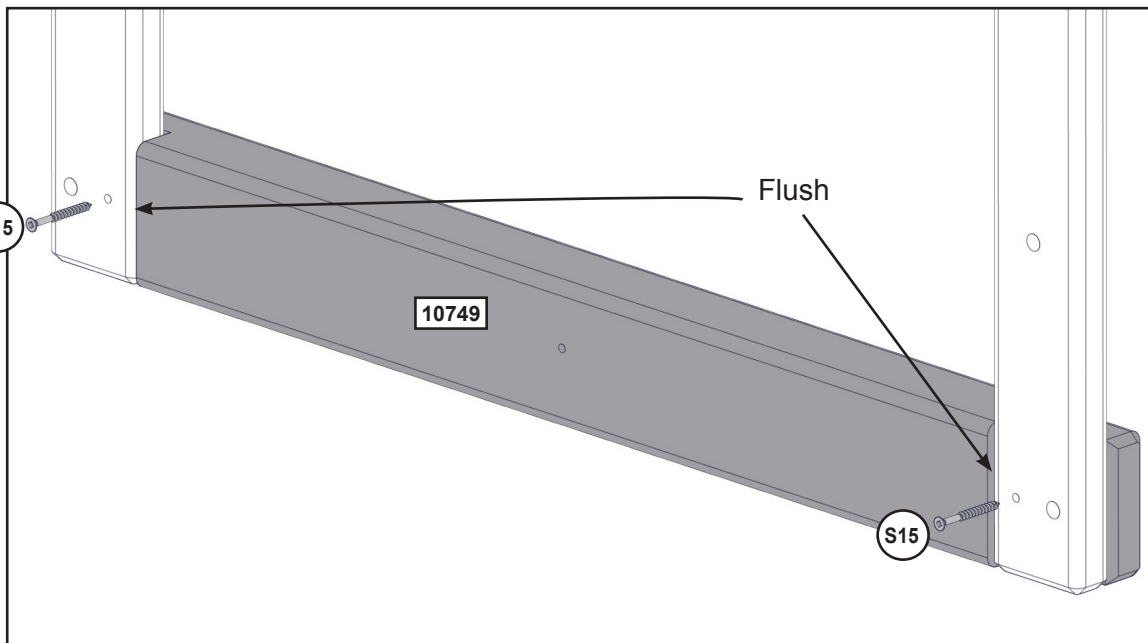
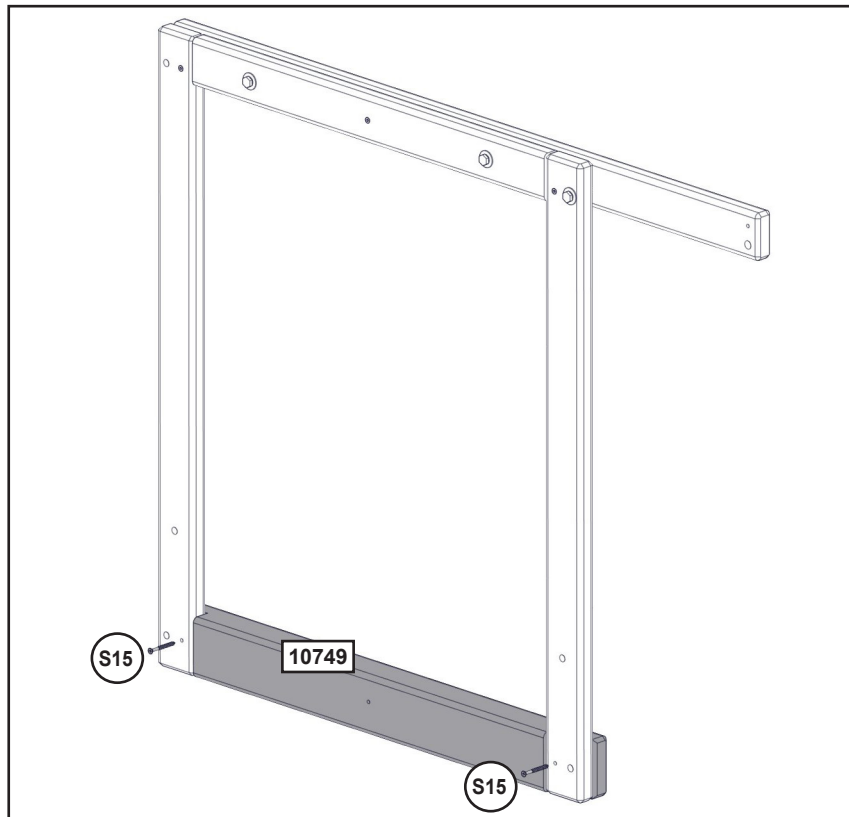


Wood Parts

1 x 10748 25.4 x 63.5 x 850.9 mm (1" X 2 1/2" X 33 1/2")

Hardware

2 x S15 #8 x 44.5mm (#8 x 1-3/4")



Wood Parts

1 x **10749** 50.8 x 79.4 x 747 mm (2" X 3 1/8" X 29 7/16")

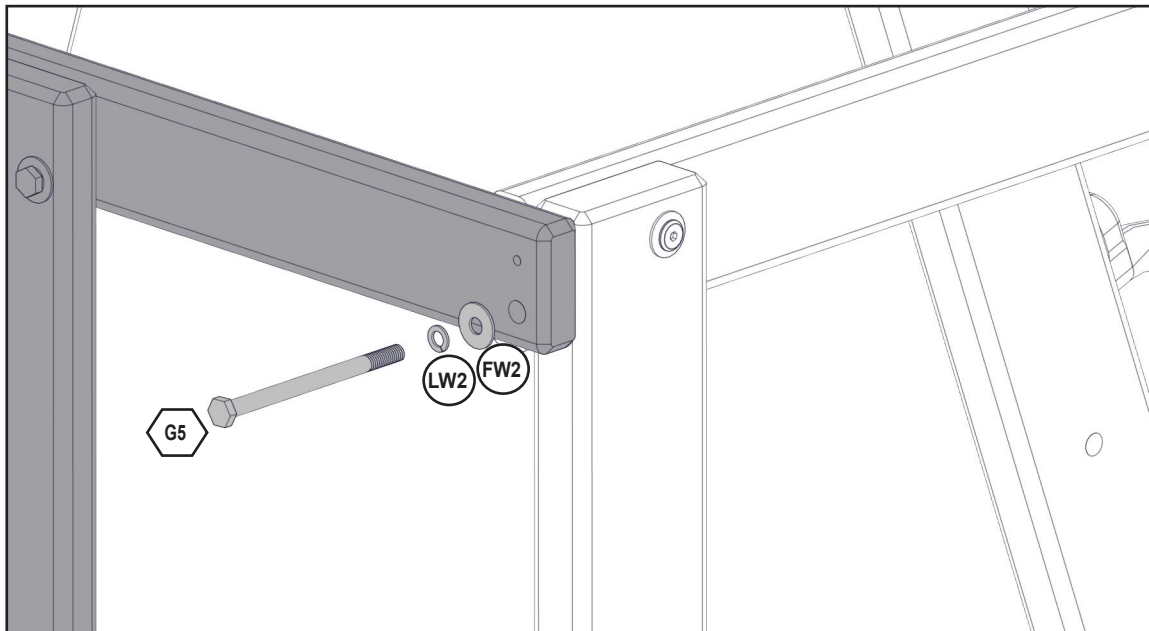
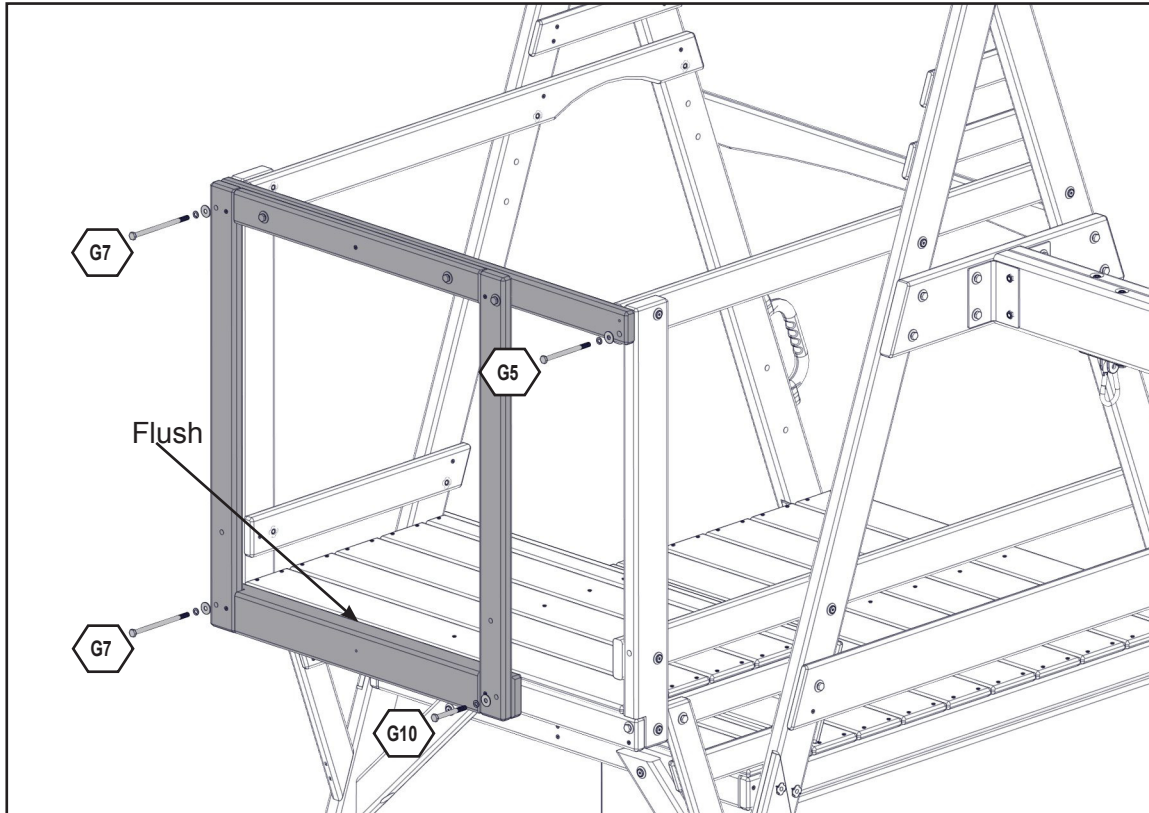
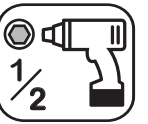
Hardware

2 x **S15** #8 x 44.5mm (#8 x 1-3/4")



69

Note: Structure partly removed for clarity.



Hardware

1 x G5 7.9mm x 114.3mm (5/16 x 4-1/2")(LW2,FW2)

2 x G7 7.9mm x 139.7 mm (5/16 x 5-1/2") (FW2, LW2)

1 x G10 7.9mm x 76.2mm (5/16" x 3") (FW2, LW2)



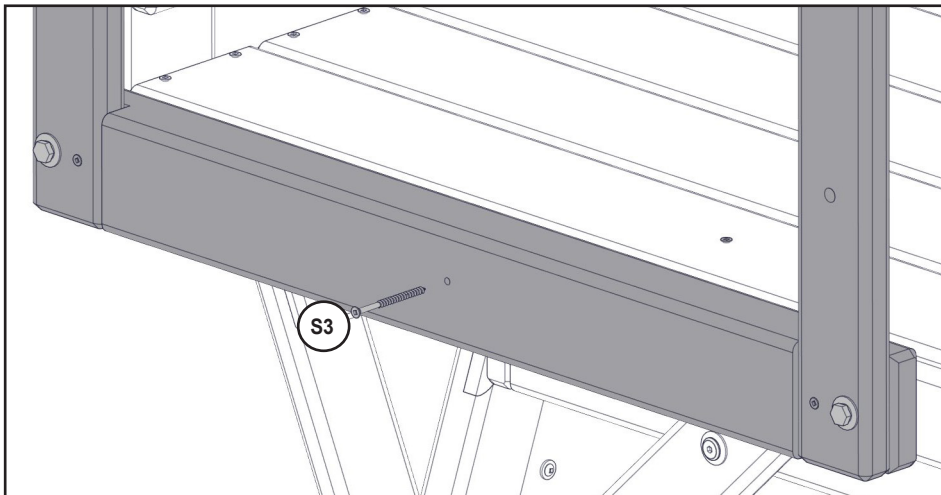
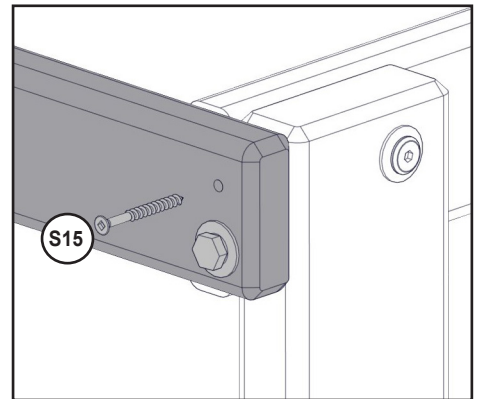
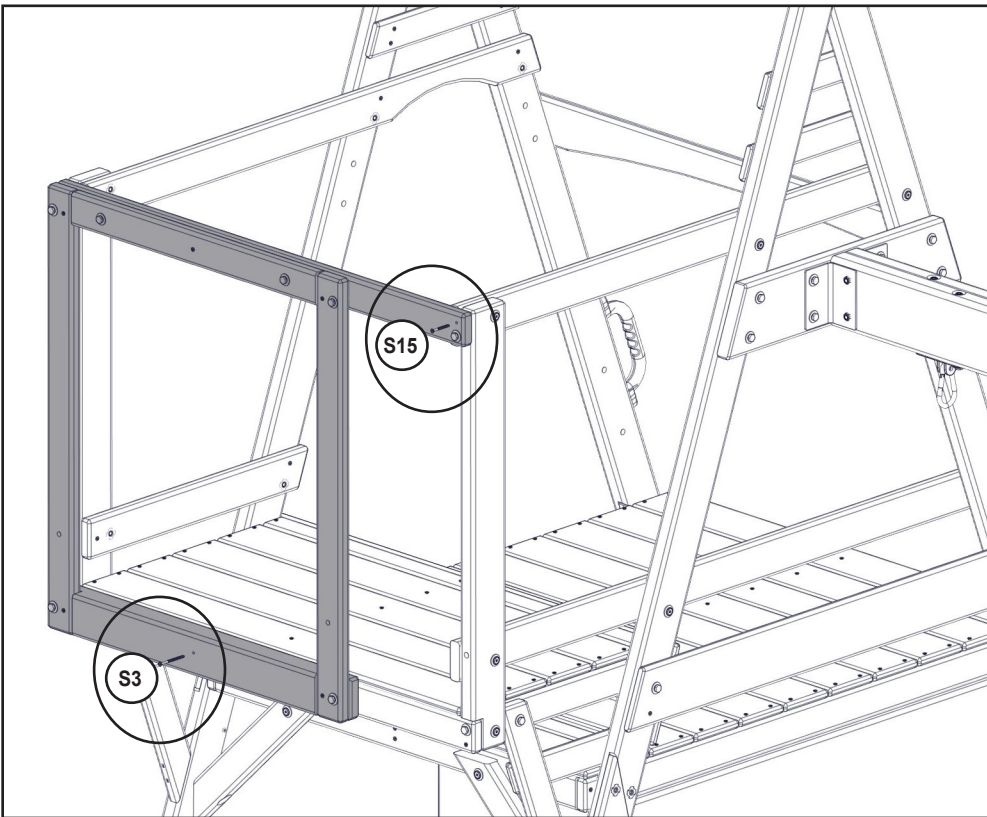
KidKraft
MADE FOR MAKE BELIEVE™

parts.kidkraft.com

customerservice@kidkraft.com
1.800.933.0771
972.385.0100

70

Note: Structure partly removed for clarity.



Hardware

1 x  #8 x 63.5mm (#8 x 2-1/2")

1 x  #8 x 44.5mm (#8 x 1-3/4")

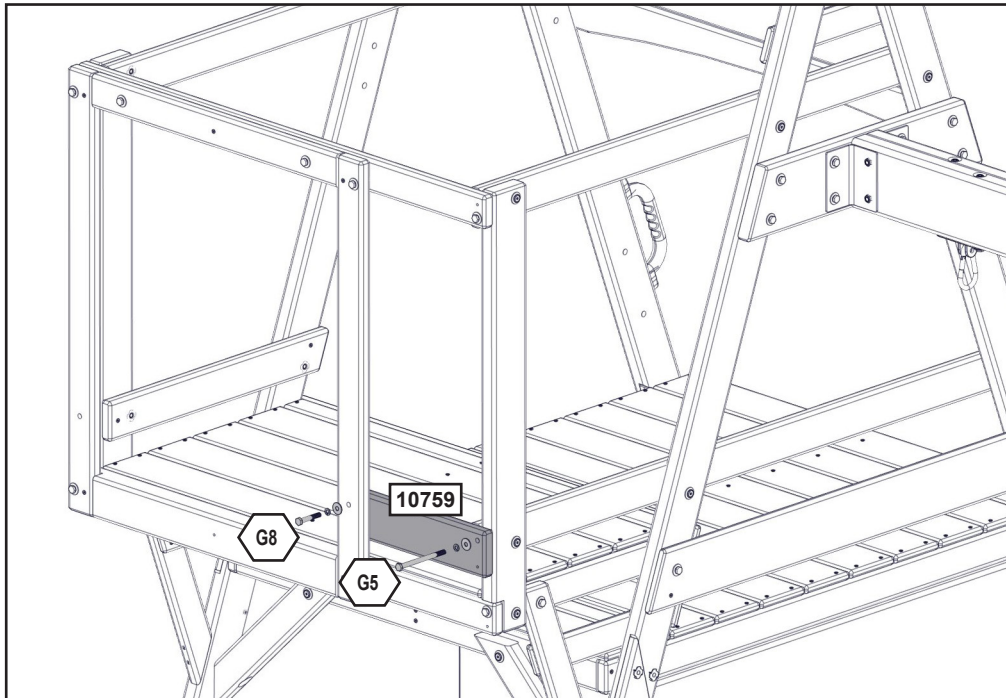
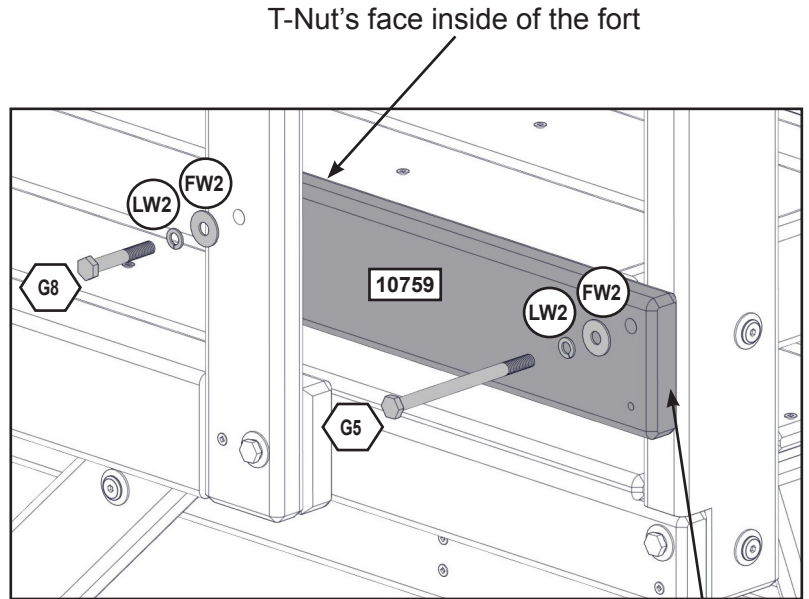
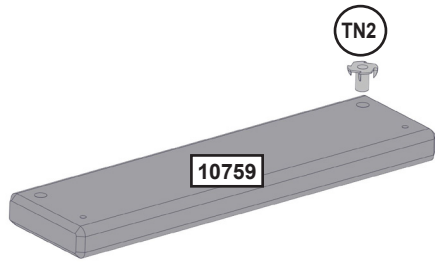
europecustomerservice@kidkraft.com
+31 20 305 8620
M-F from 09:00 to 17:30 (GMT+1)

parts.kidkraft.eu



71

Note: Structure partly removed for clarity.
Assemble T-Nuts first with hammer!



Wood Parts

1 x **10759** 25.4 x 88.9 x 338.4 mm (1" X 3 1/2" X 13 5/16")

Hardware

1 x **G5** 7.9mm x 114.3mm (5/16 x 4-1/2")(LW2,FW2)

1 x **G8** 7.9mm x 50.8mm (5/16" x 2")(FW2, LW2) 1 x **TN2**



parts.kidkraft.com

customerservice@kidkraft.com
1.800.933.0771
972.385.0100