

Hardware

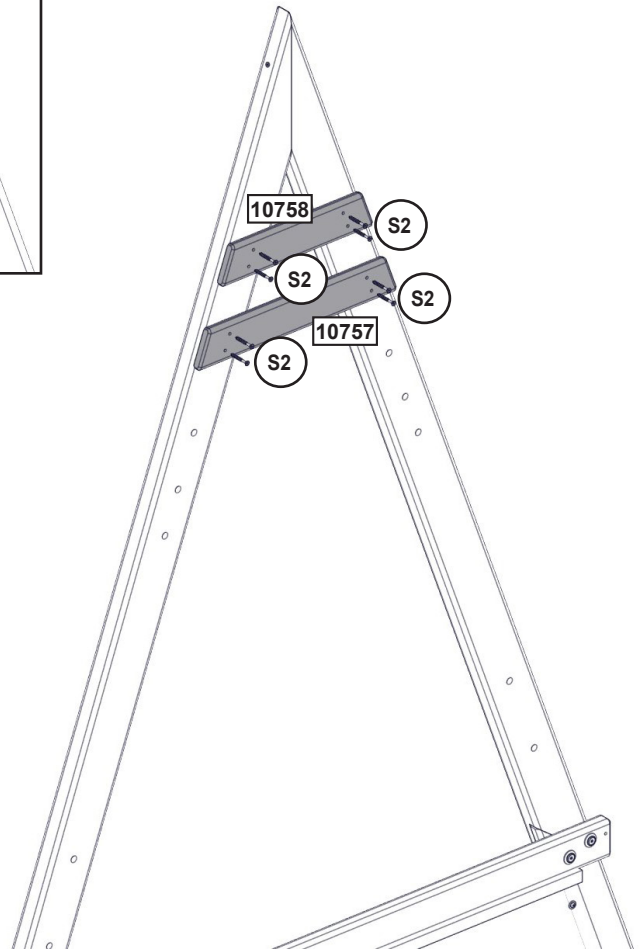
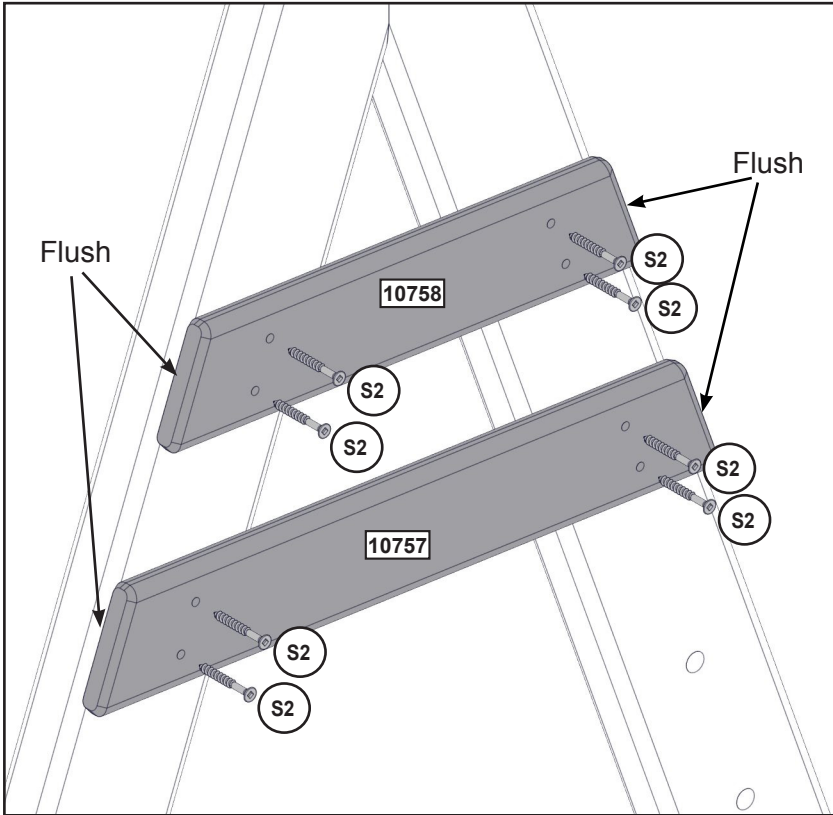
6 x  #8 x 22.2mm (#8 x 7/8")

6 x 



13

Note: Structure partly removed for clarity.



Wood Parts

- 1 x 15.9 x 63.5 x 390.6 mm (5/8" X 2 1/2" X 15 3/8")
- 1 x 15.9 x 63.5 x 298.2 mm (5/8" X 2 1/2" X 11 3/4")

Hardware

- 8 x #8 x 38.1mm (#8 x 1-1/2")

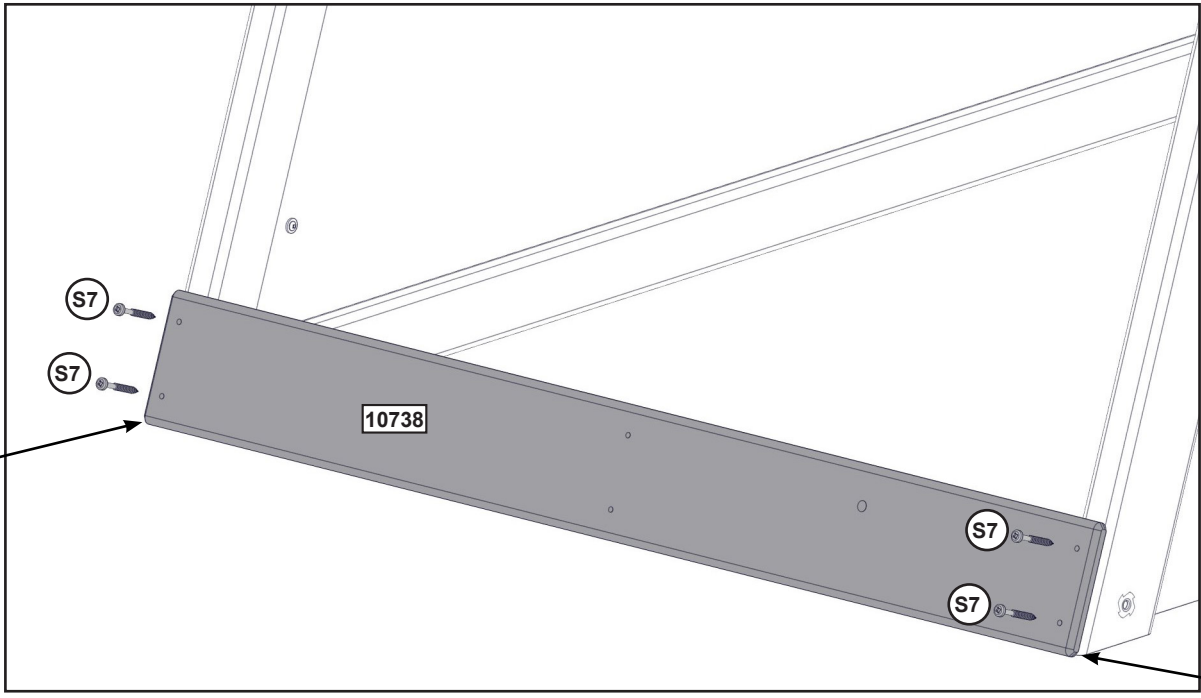
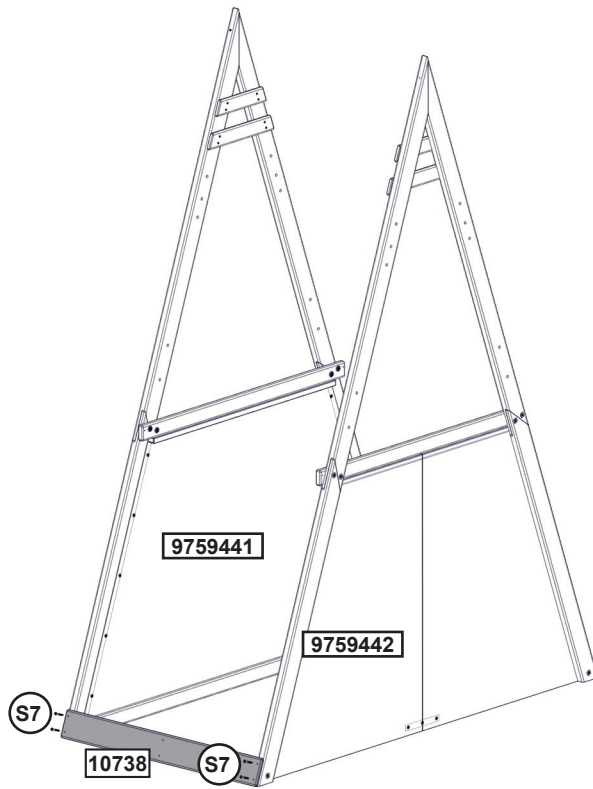


parts.kidkraft.com

customerservice@kidkraft.com
1.800.933.0771
972.385.0100



Pre-drill holes using a 1/8 in drill bit.



Wood Parts

1 x 10738 15.9 x 114.3 x 1035 mm (5/8" X 4 1/2" X 40 3/4")

Hardware

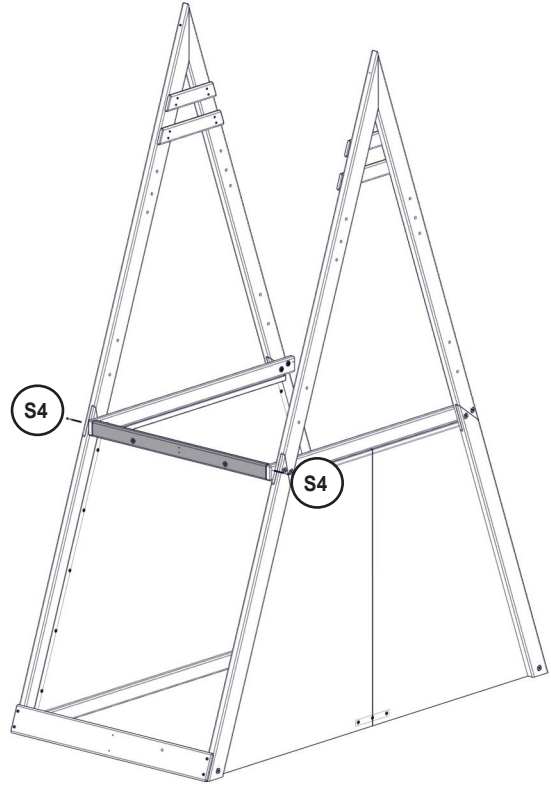
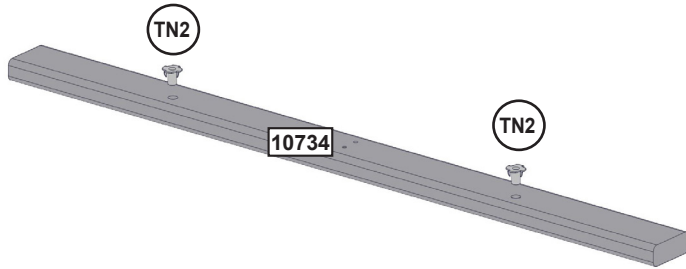
4 x S7 #12 x 50.8mm (#12 x 2 in)



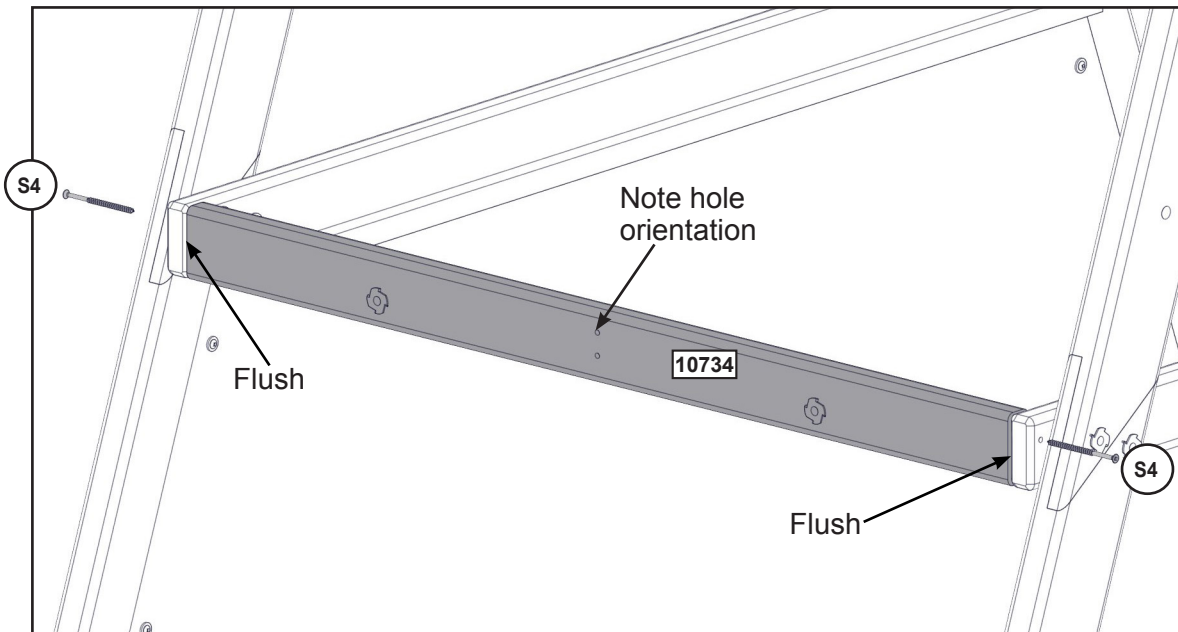
15



Assemble T-Nuts first with hammer!



Pre-drill holes using a 1/8" drill.



Wood Parts

1 x 10734 25.4 x 63.5 x 914.4 mm (1" X 2 1/2" X 36")

Hardware

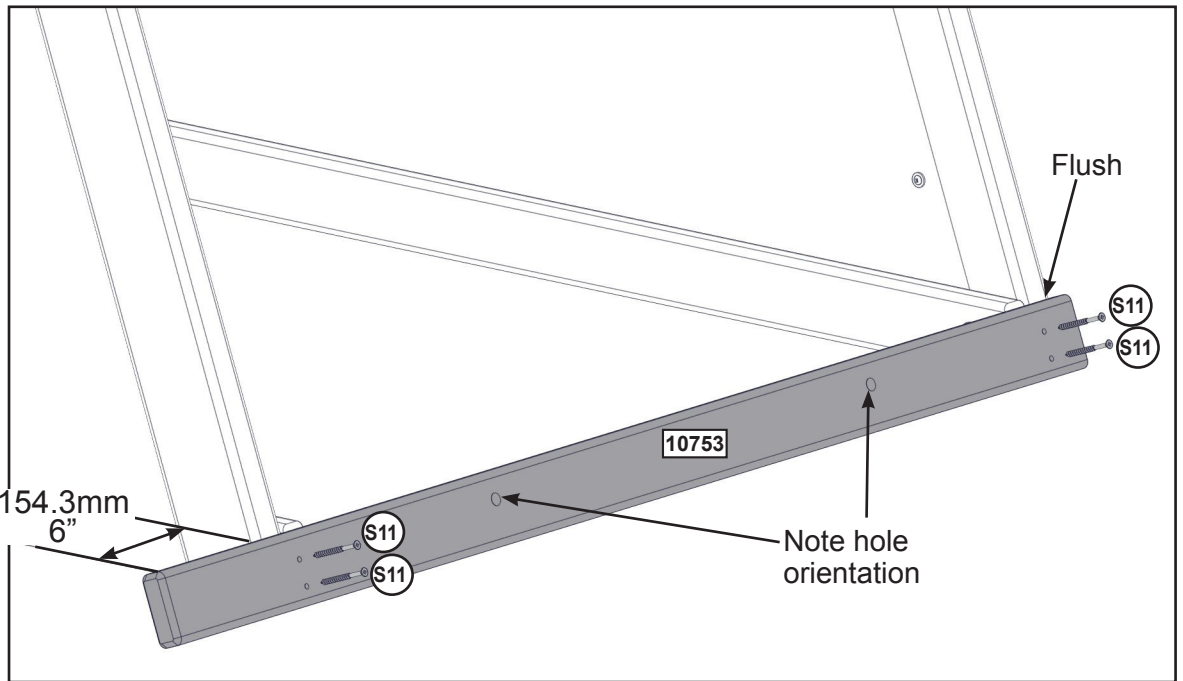
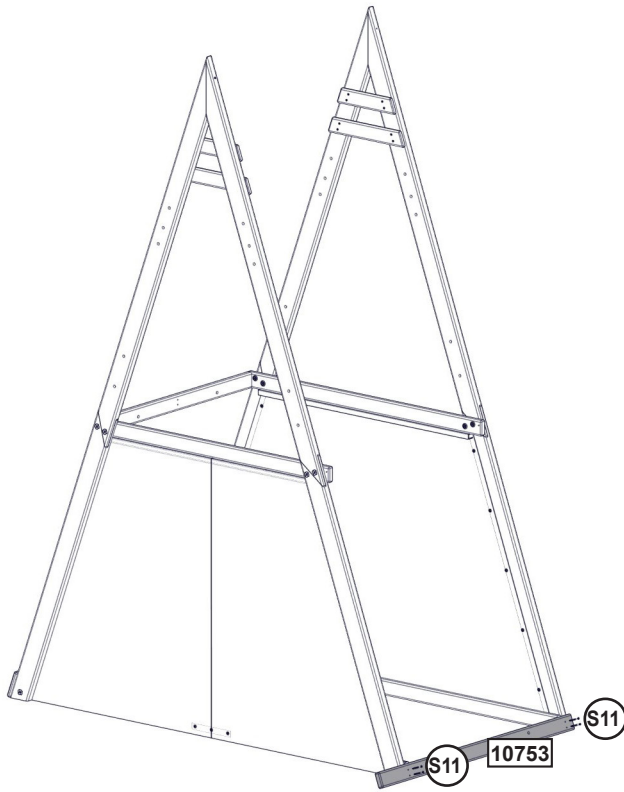
2 x S4 #8 x 76.2mm (#8 x 3")

2 x TN2



parts.kidkraft.com

customerservice@kidkraft.com
1.800.933.0771
972.385.0100



Wood Parts

1 x 10753 25.4 x 63.5 x 1189.8 mm (1" X 2 1/2" X 46 13/16")

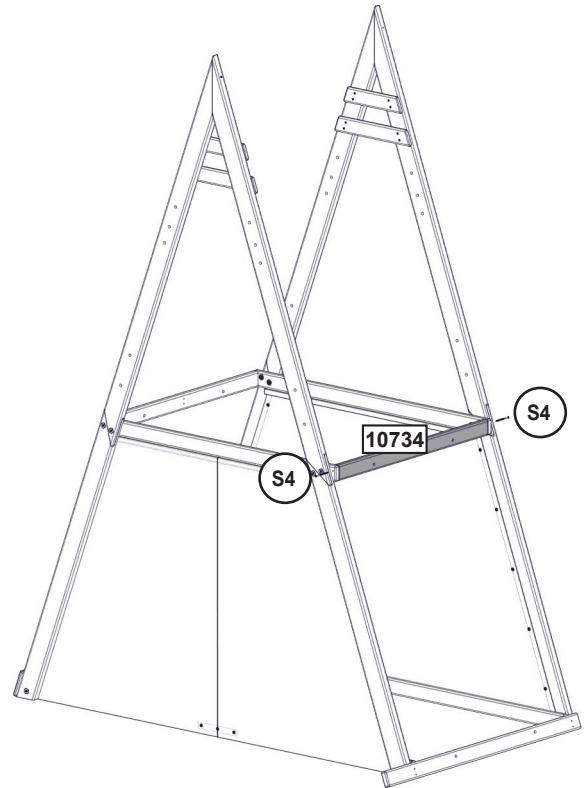
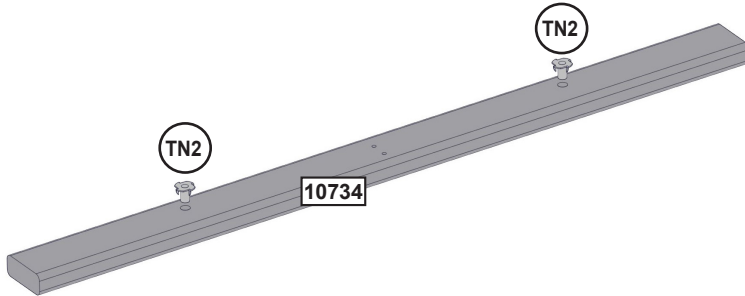
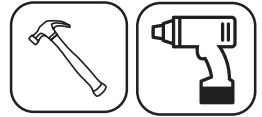
Hardware

4 x S11 #8 x 50.8mm (#8 x 2")

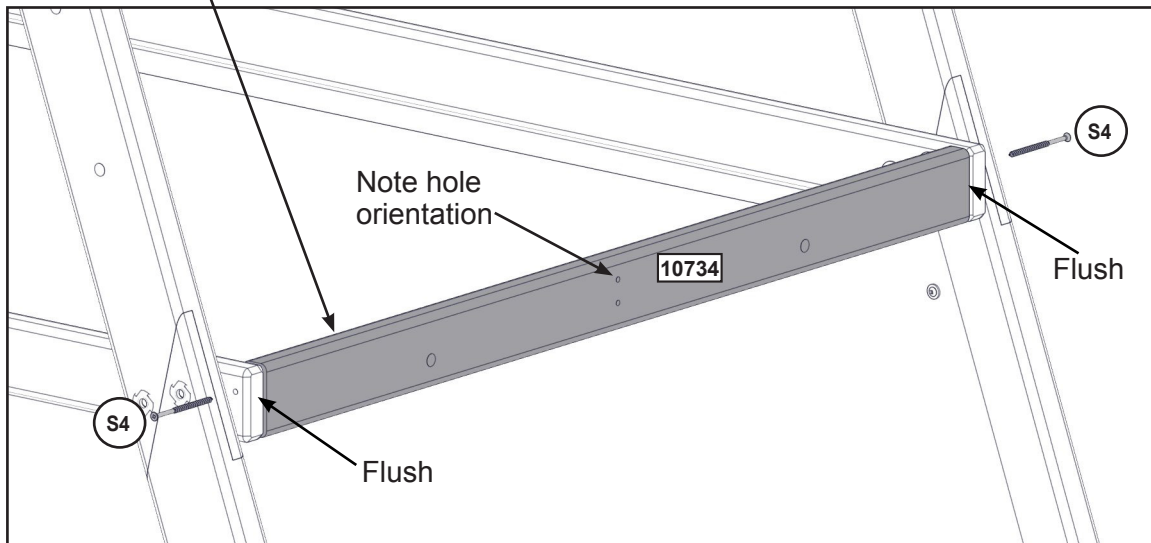


17

Assemble T-Nuts first with hammer!



T-Nut's face inside of the fort



Wood Parts

1 x 10734 25.4 x 63.5 x 914.4 mm (1" X 2 1/2" X 36")

Hardware

2 x S4 #8 x 76.2mm (#8 x 3")
2 x TN2

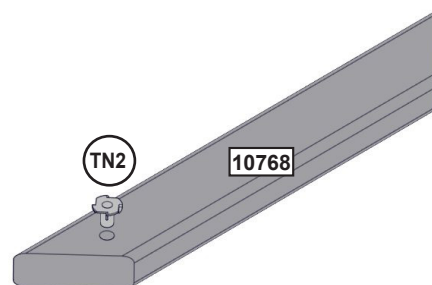
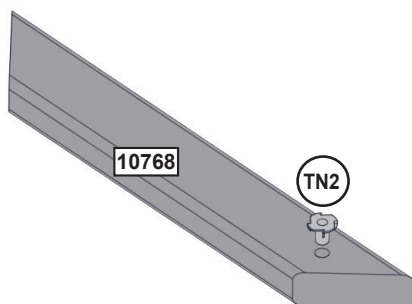


parts.kidkraft.com

customerservice@kidkraft.com
1.800.933.0771
972.385.0100



Assemble T-Nuts first with hammer!



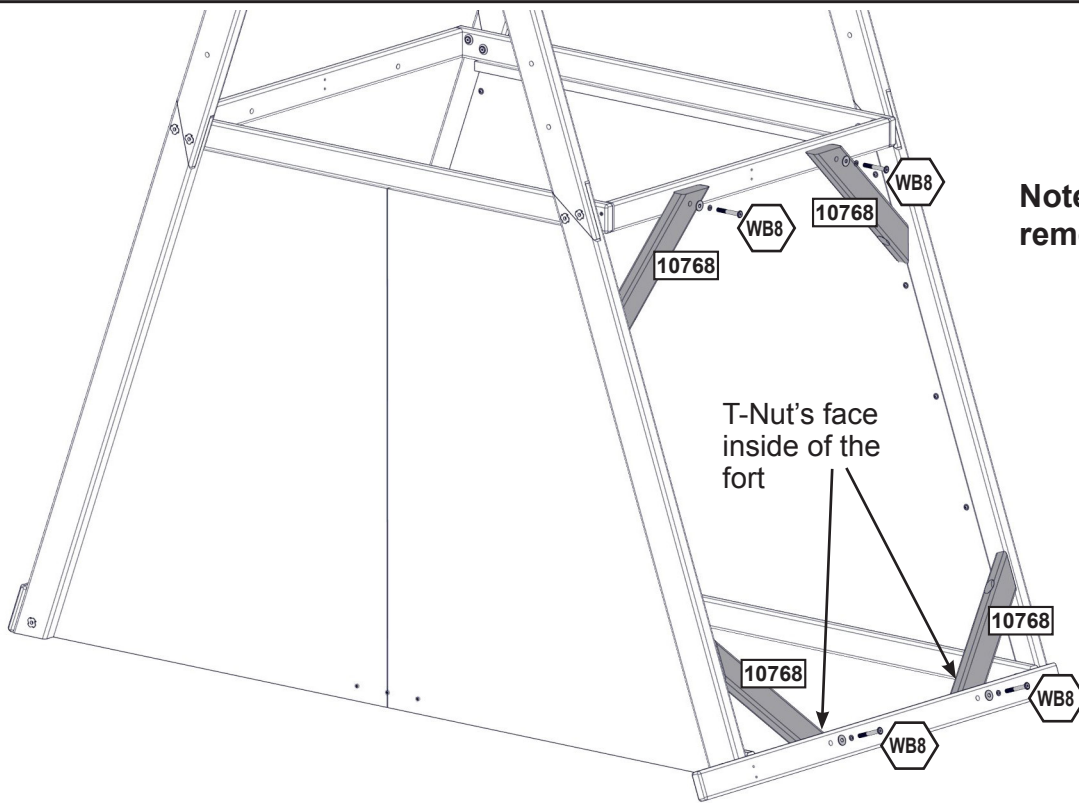
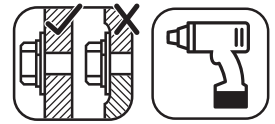
Wood Parts

2 x  31.8 x 63.5 x 433 mm (1 1/4" X 2 1/2" X 17 1/16")

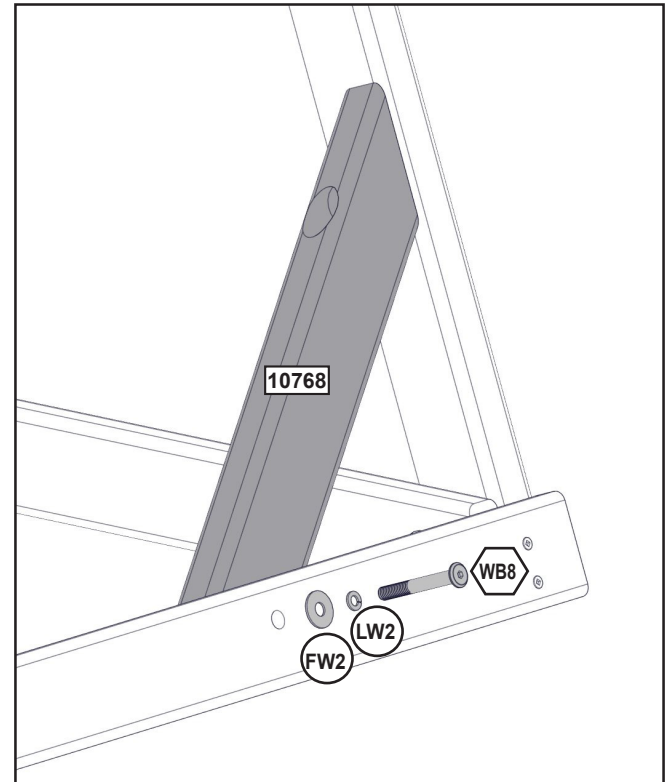
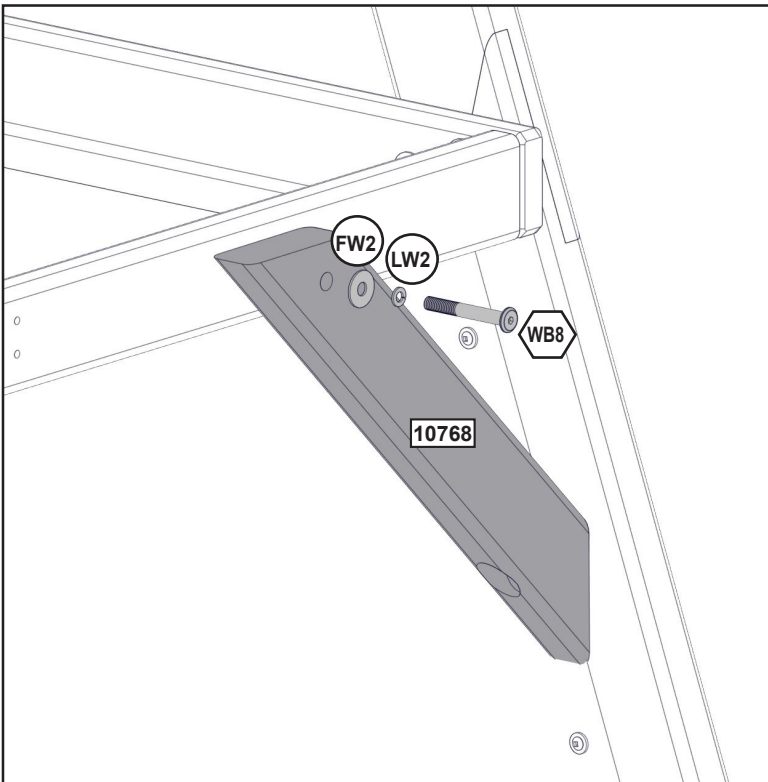
Hardware

2 x 

19



Note: Structure partly removed for clarity.



Wood Parts

2 x 10768 31.8 x 63.5 x 433 mm (1 1/4" X 2 1/2" X 17 1/16")

Hardware

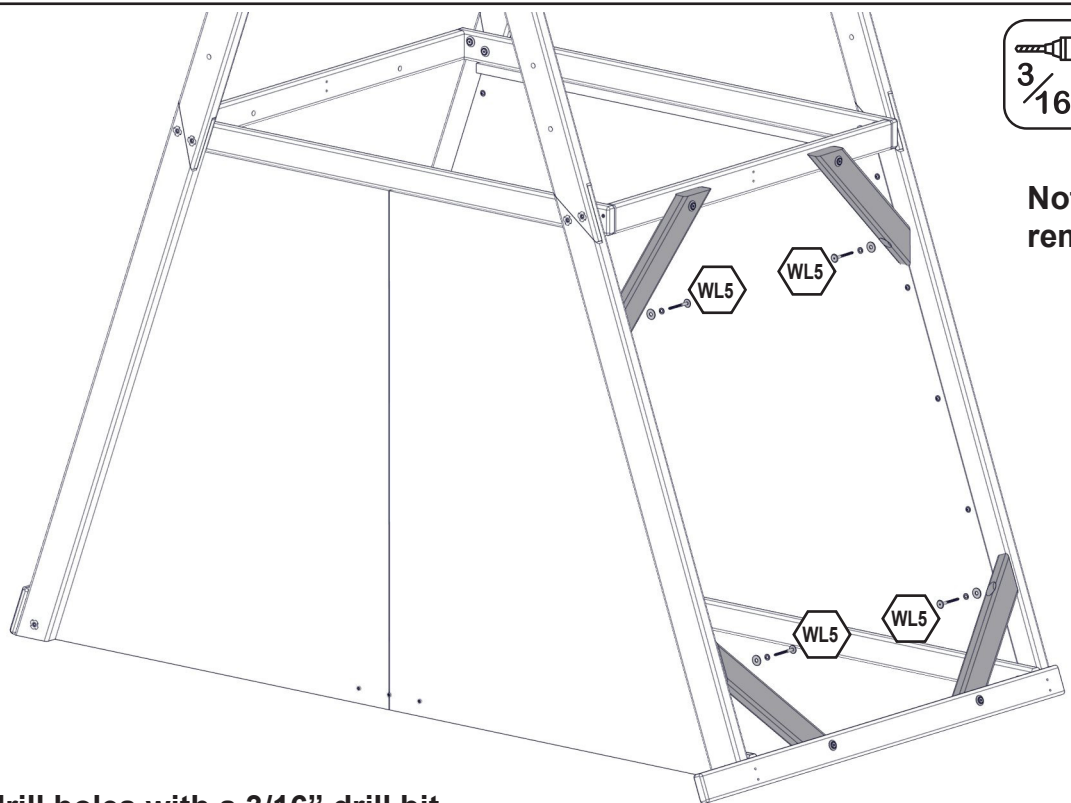
4 x WB8 7.9mm x 60.3 mm (5/16 x 2-3/8")(FW2, LW2)



parts.kidkraft.com

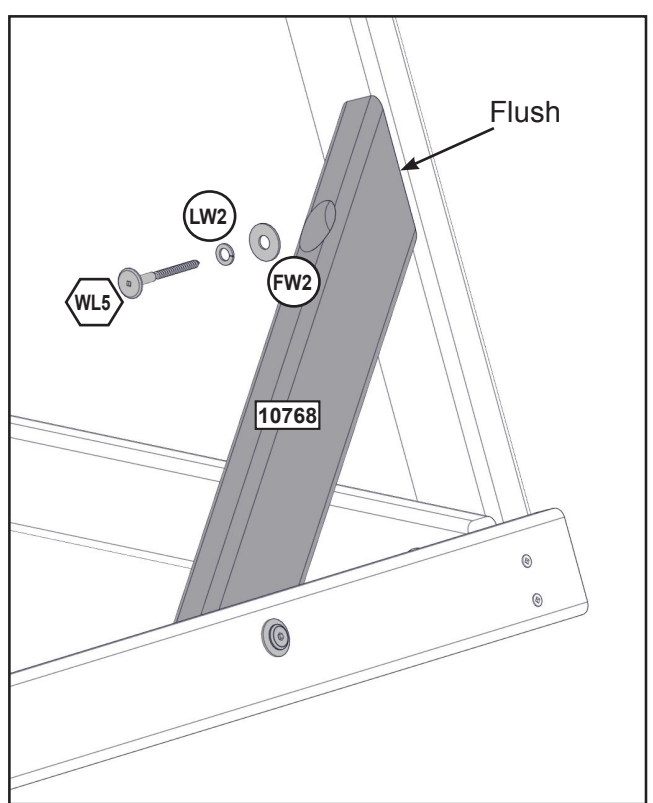
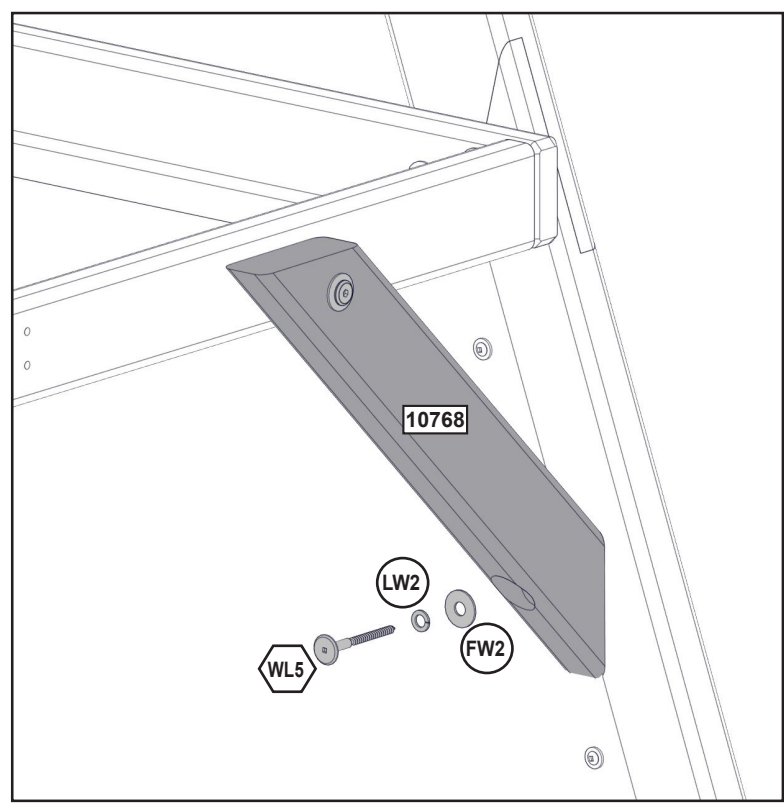
customerservice@kidkraft.com
1.800.933.0771
972.385.0100

20




Note: Structure partly removed for clarity.

Pre-drill holes with a 3/16" drill bit.



Hardware

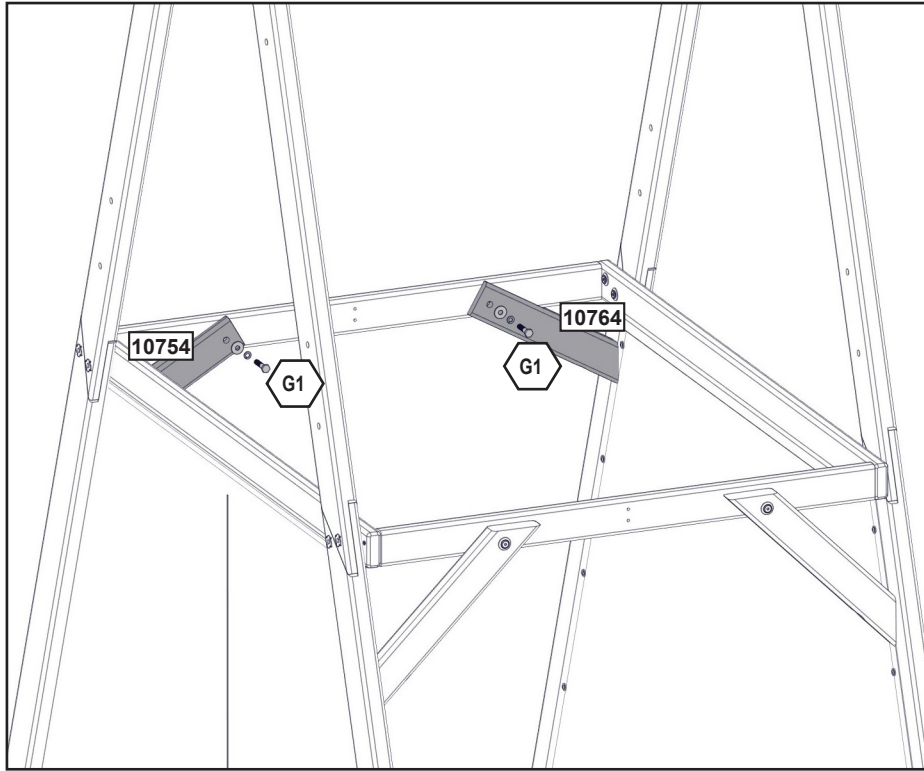
4 x  6.4mm x 63.5 mm (1/4 x 2-1/2 in)(FW2, LW2)

europecustomerservice@kidkraft.com
 +31 20 305 8620
 M-F from 09:00 to 17:30 (GMT+1)

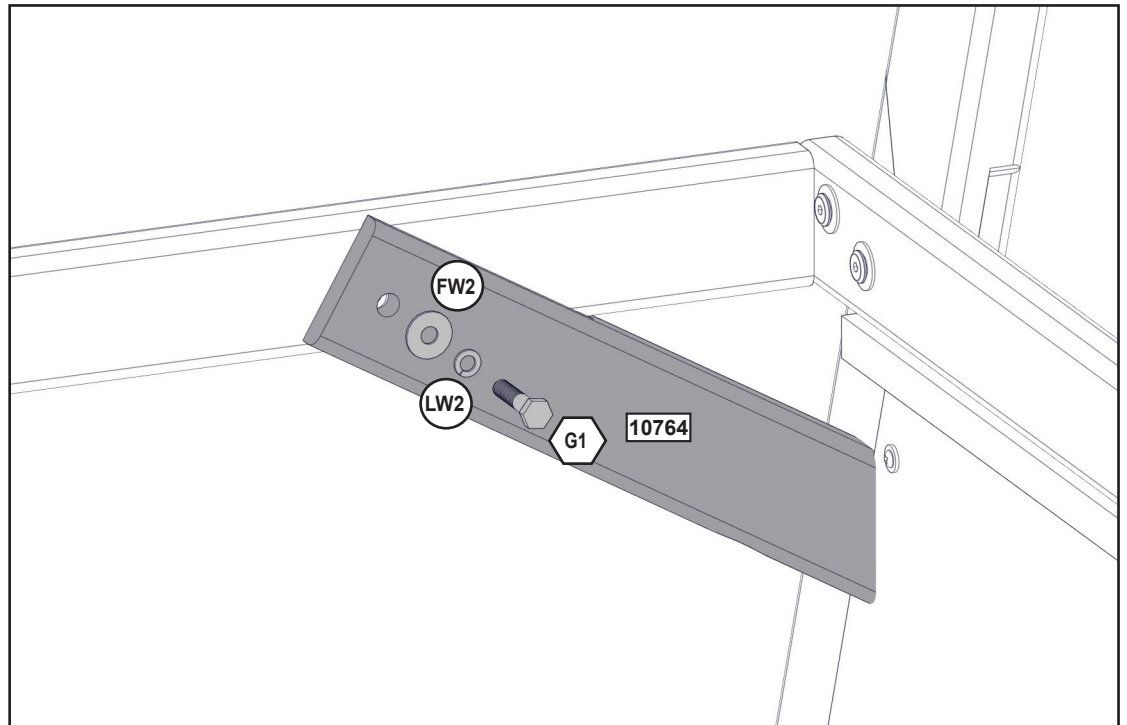
parts.kidkraft.eu



21



Note: Structure partly removed for clarity.



Wood Parts

- 1 x 31.8 x 63.5 x 317.2 mm (1 1/4" X 2 1/2" X 12 1/2")
- 1 x 31.8 x 63.5 x 317.2 mm (1 1/4" X 2 1/2" X 12 1/2")

Hardware

- 2 x 7.9mm x 38.1mm (5/16 x 1-1/2")(LW2,FW2)

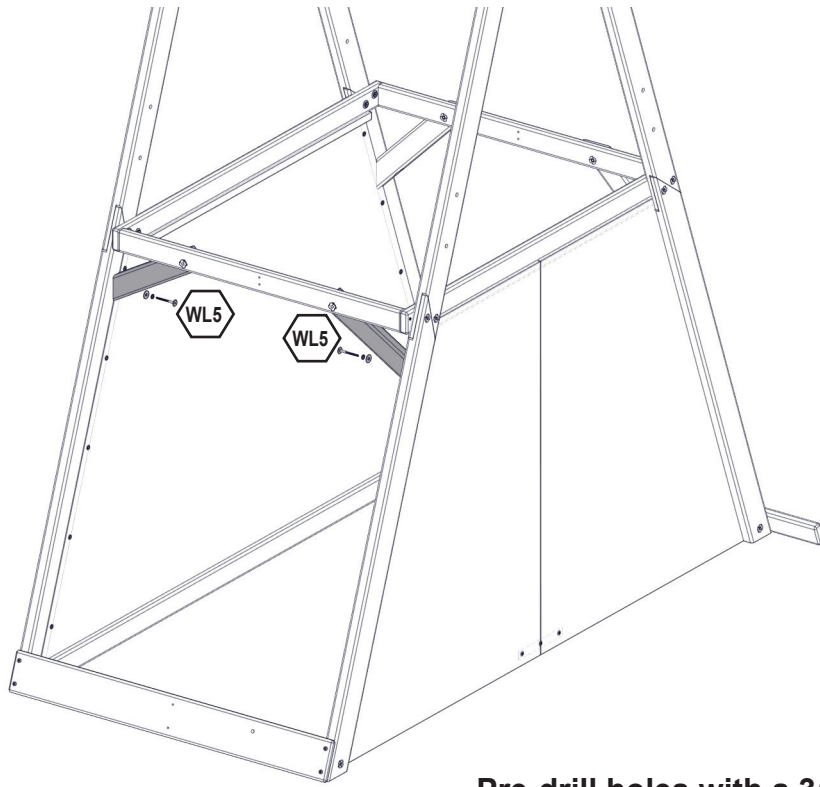


parts.kidkraft.com

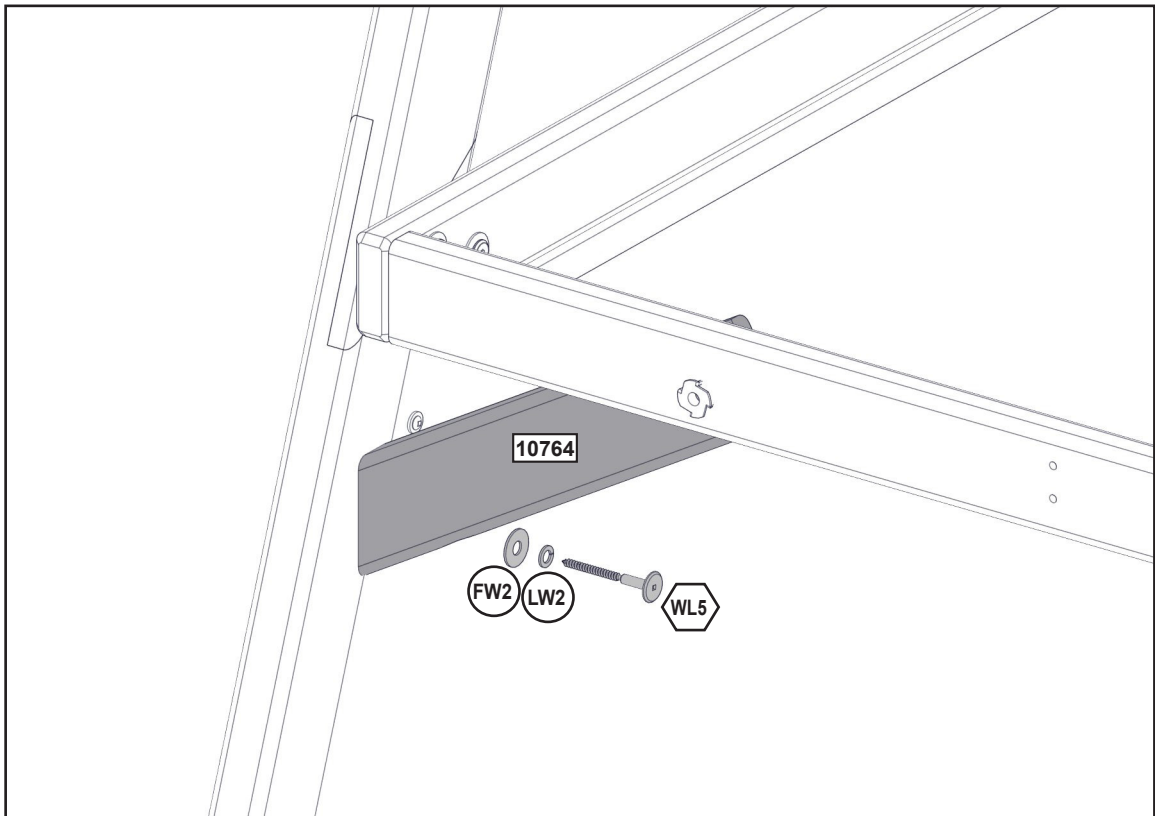
customerservice@kidkraft.com
 1.800.933.0771
 972.385.0100



Note: Structure partly removed for clarity.



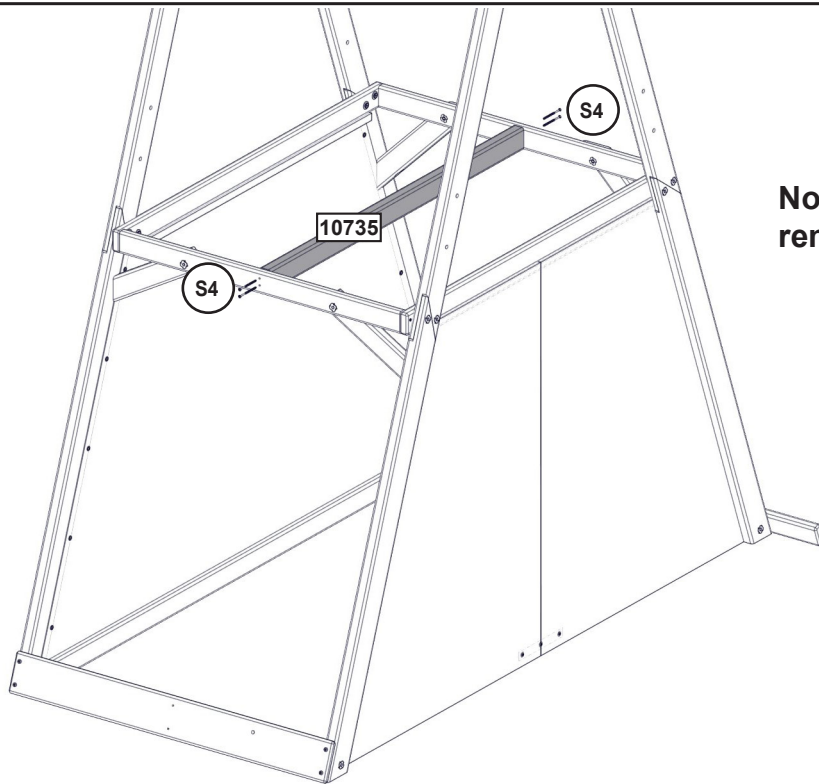
Pre-drill holes with a 3/16" drill bit.



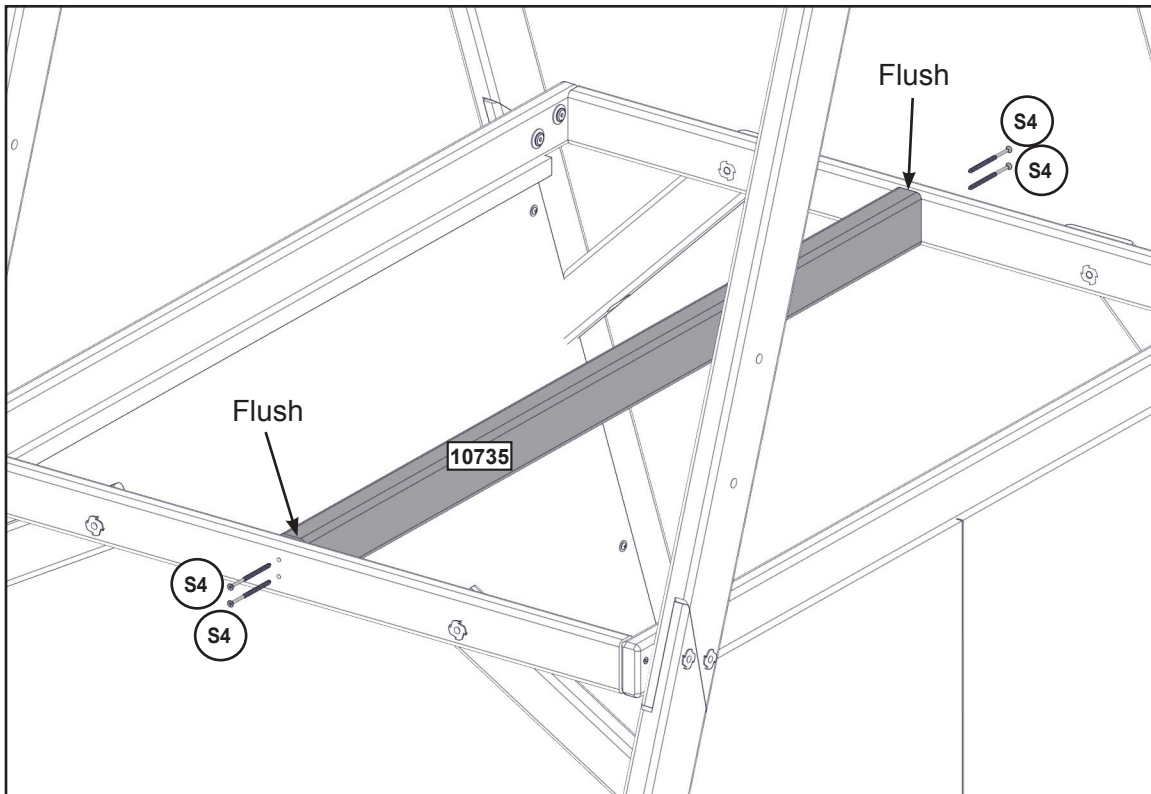
Hardware Hardware

2 x  6.4mm x 63.5 mm (1/4 x 2-1/2 in)(FW2, LW2)





Note: Structure partly removed for clarity.



Wood Parts

1 x 10735 34.9 x 63.5 x 1155.7 mm (1 3/8" X 2 1/2" X 45 1/2")

Hardware

4 x S4 #8 x 76.2mm (#8 x 3")

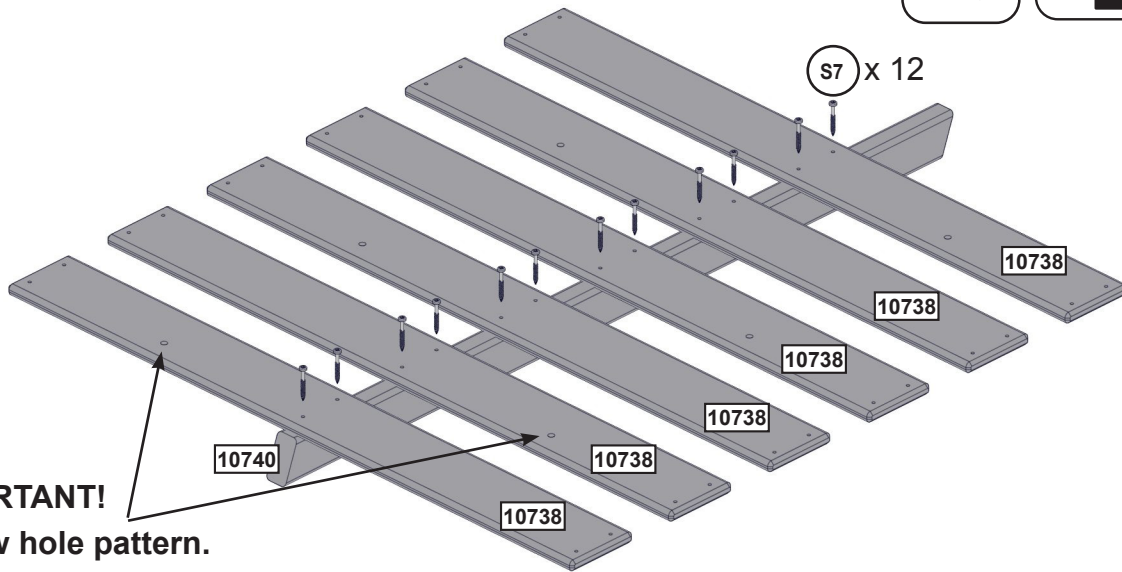


KidKraft
MADE FOR MAKE BELIEVE™

parts.kidkraft.com

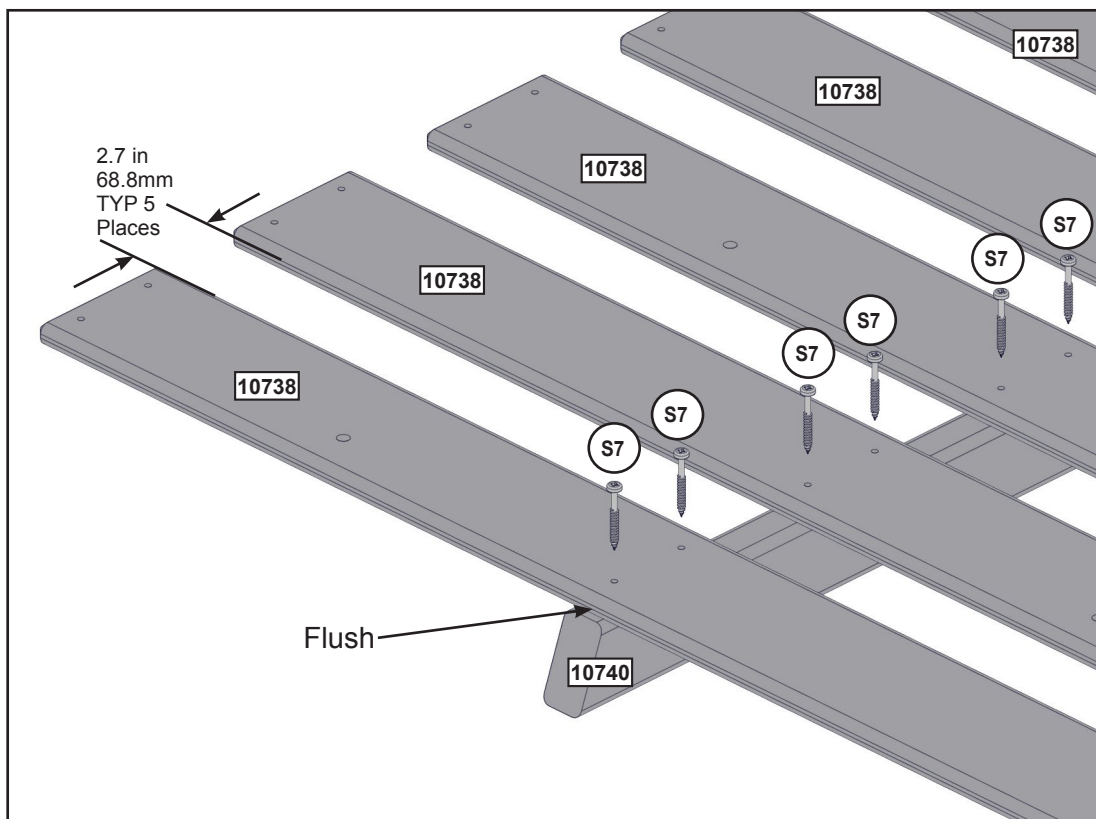
customerservice@kidkraft.com
1.800.933.0771
972.385.0100

24 Pre-drill holes using a 1/8" drill bit.



IMPORTANT!
Follow hole pattern.

**Note: Stagger the holes
in the rock boards**



Wood Parts

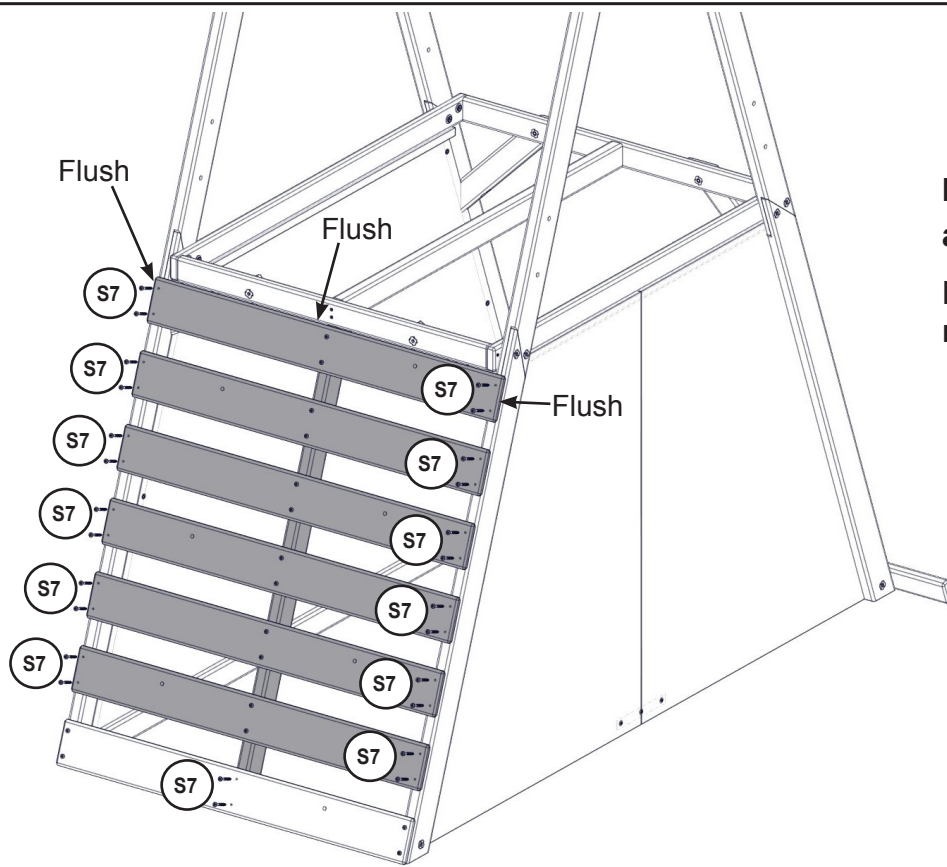
- 6 x 10738 15.9 x 114.3 x 1035 mm (5/8" X 4 1/2" X 40 3/4")
- 1 x 10740 34.9 x 63.5 x 1236 mm (1 3/8" X 2 1/2" X 48 11/16")

Hardware

- 12 x S7 #12 x 50.8mm (#12 x 2")

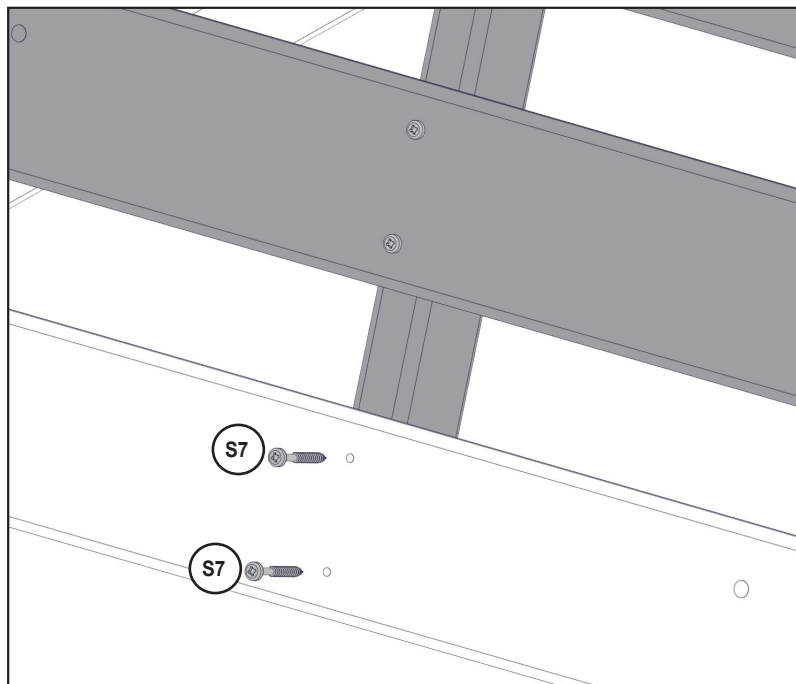
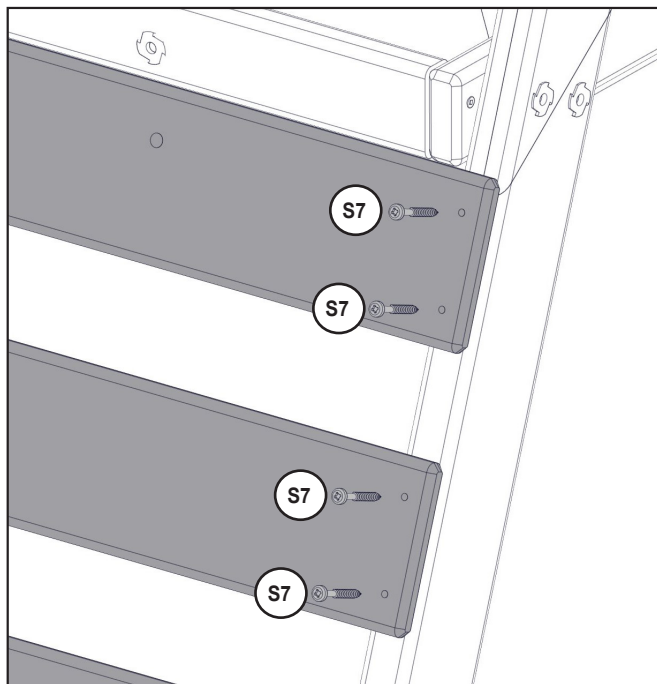


25



Pre-drill holes using a 1/8" drill bit.

Note: Structure partly removed for clarity.



Hardware

26 x  #12 x 50.8mm (#12 x 2")

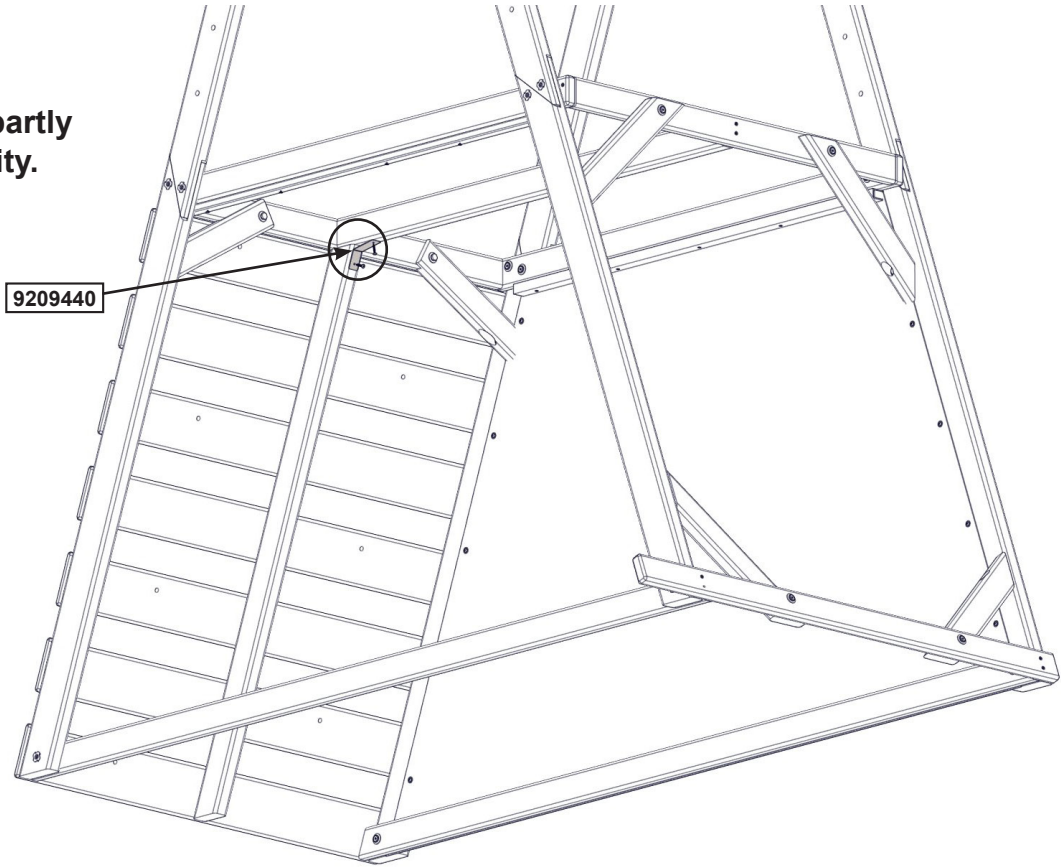


parts.kidkraft.com

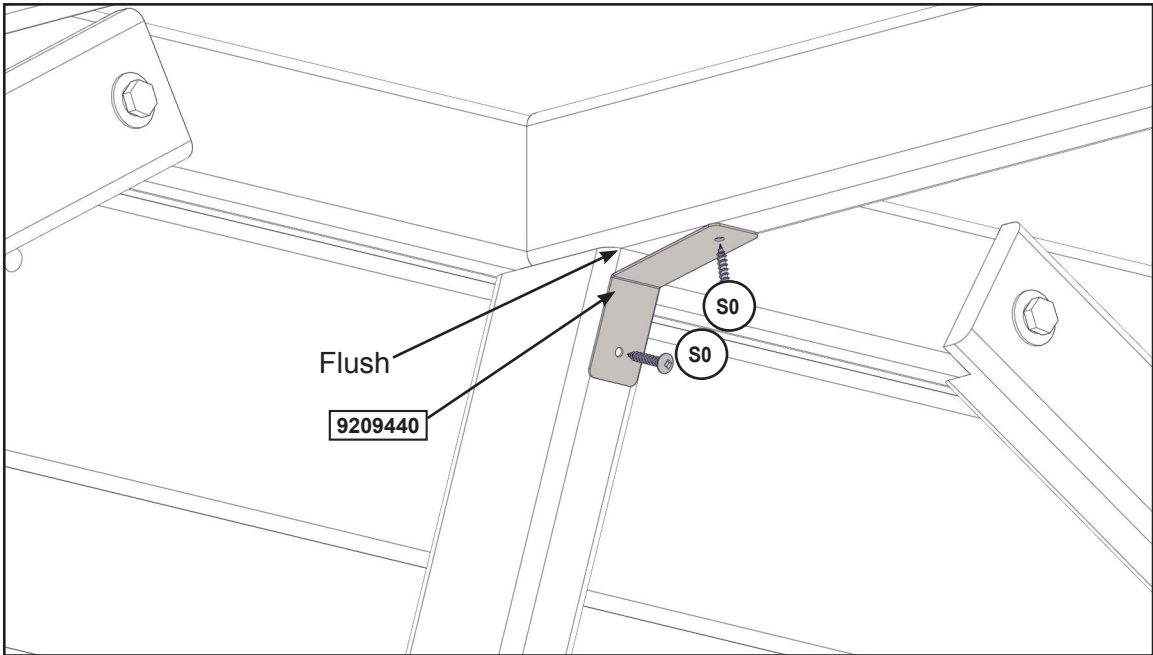
customerservice@kidkraft.com
1.800.933.0771
972.385.0100

26

Note: Structure partly removed for clarity.



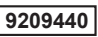
Underneath View



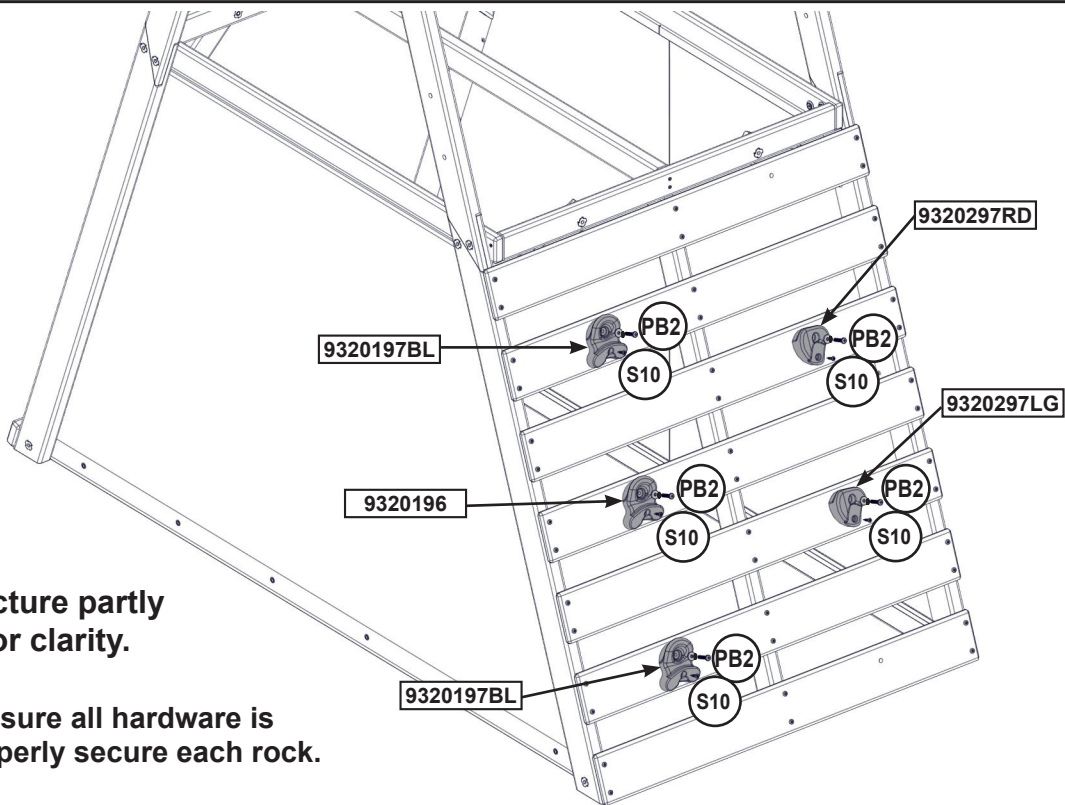
Hardware

2 x  #8 x 22.2mm (#8 x 7/8")

Other Parts

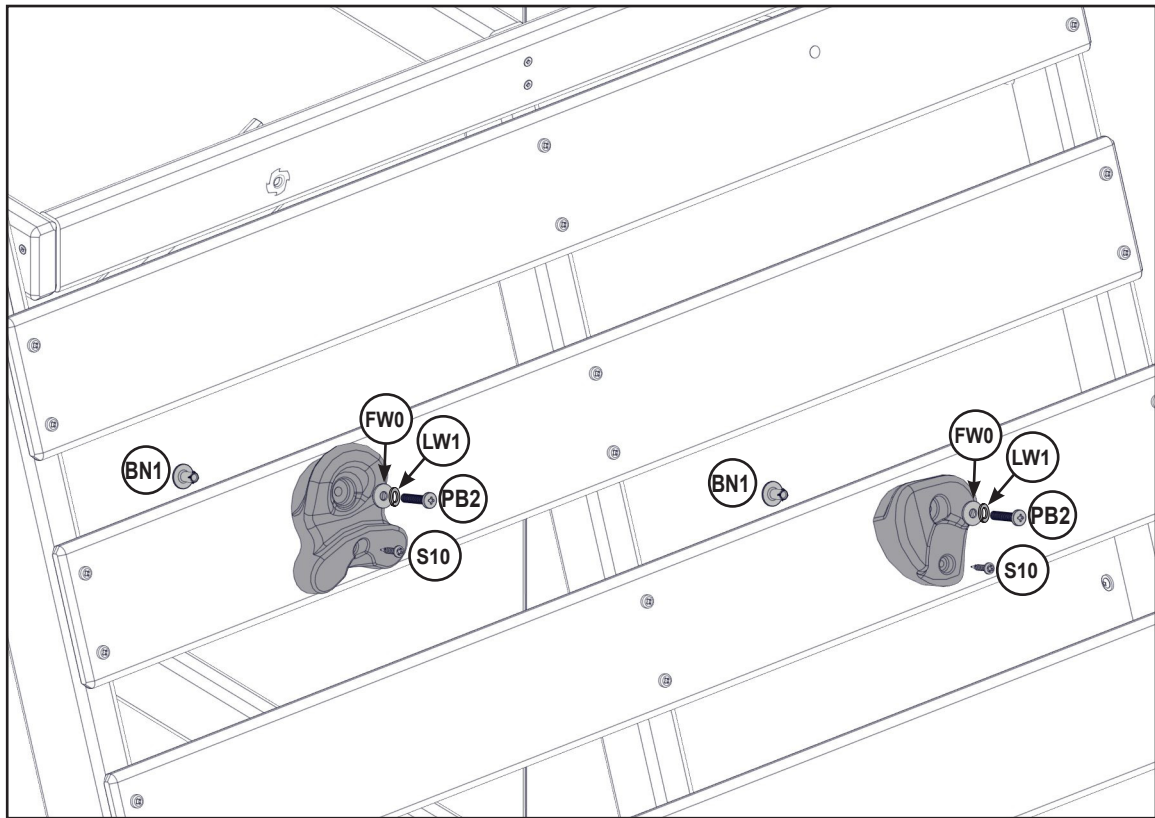
1 x 







Note: Structure partly removed for clarity.

Note: Make sure all hardware is used to properly secure each rock.



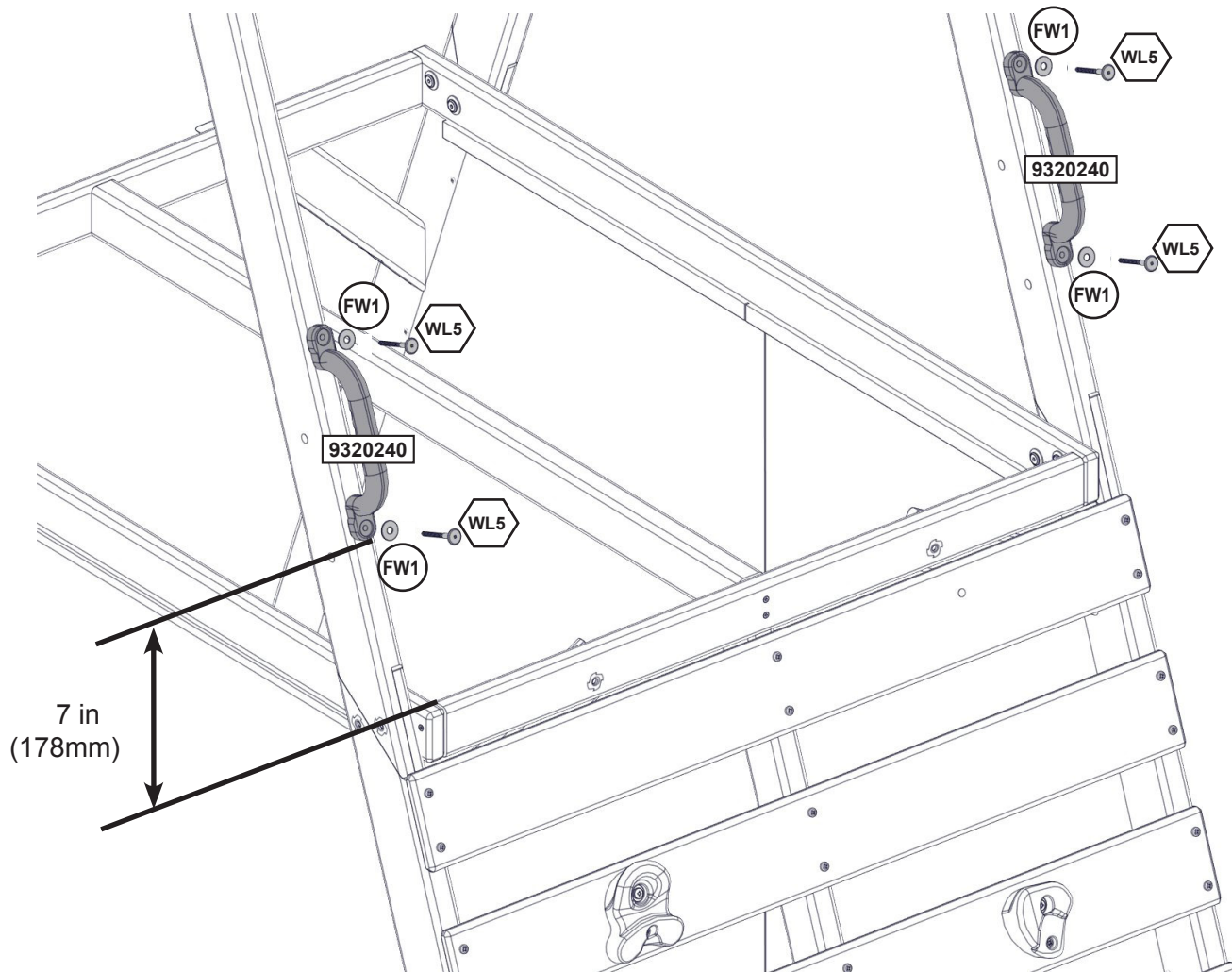
Hardware

- 5 x  6.4mm x 31.8 mm (1/4 x 1-1/4") (FW0,LW1,BN1)
- 5 x  #8 x 25.4 mm (#8 x 1")

Other Parts

- 2 x  1 x 
- 1 x  1 x 

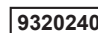
Pre-drill holes using a 3/16" drill bit.
 Note: Structure partly removed for clarity.



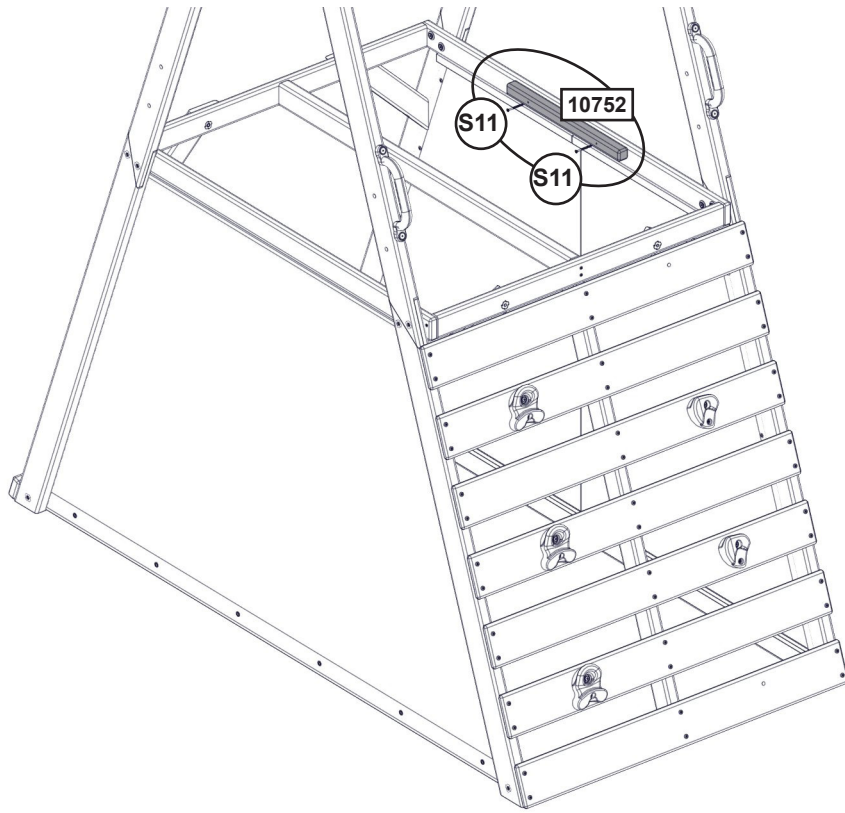
Hardware

4 x  6.4mm x 63.5 mm (1/4 x 2-1/2 in)(FW1)

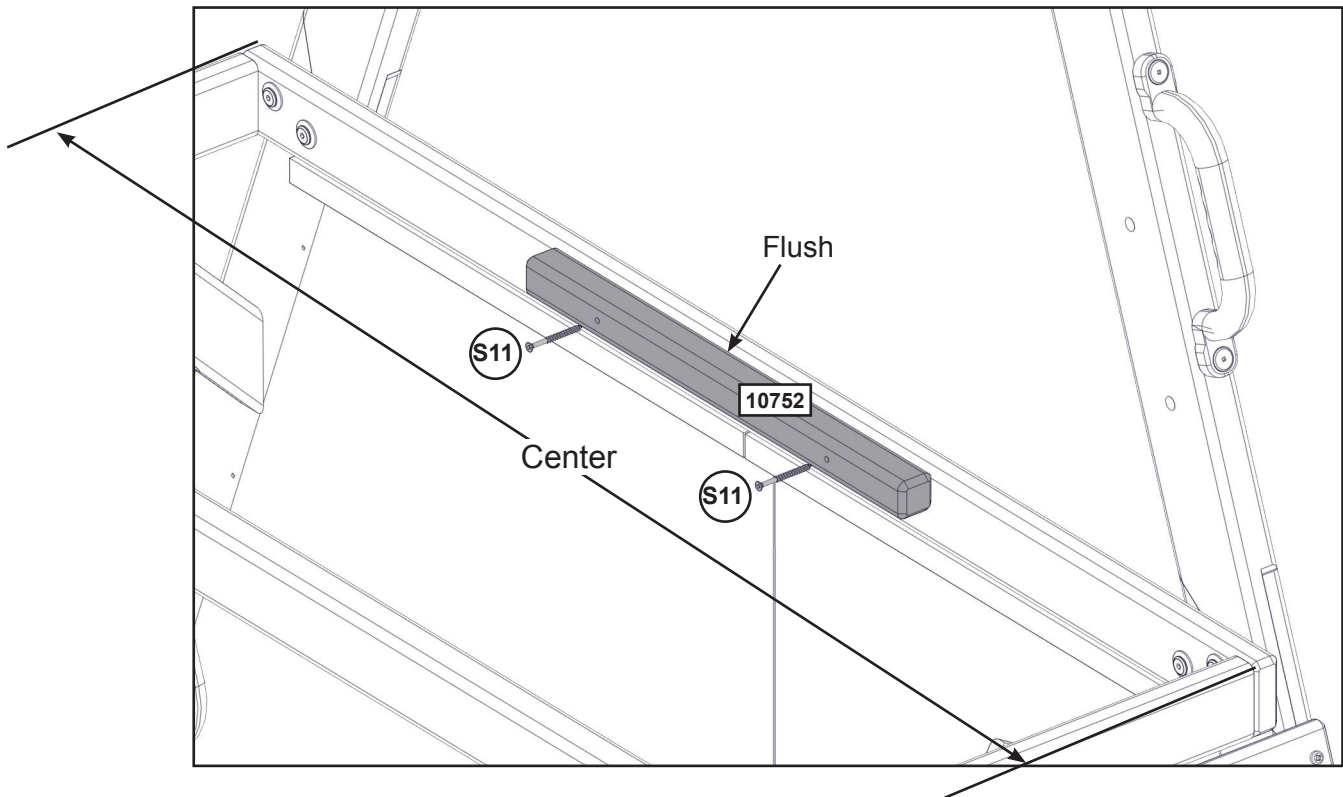
Other Parts

2 x 





Note: Structure partly removed for clarity.



Wood Parts

1 x **10752** 31.8 x 31.8 x 450 mm (1 1/4" X 1 1/4" X 17 11/16")

Hardware

2 x **S11** #8 x 50.8mm (#8 x 2 in)

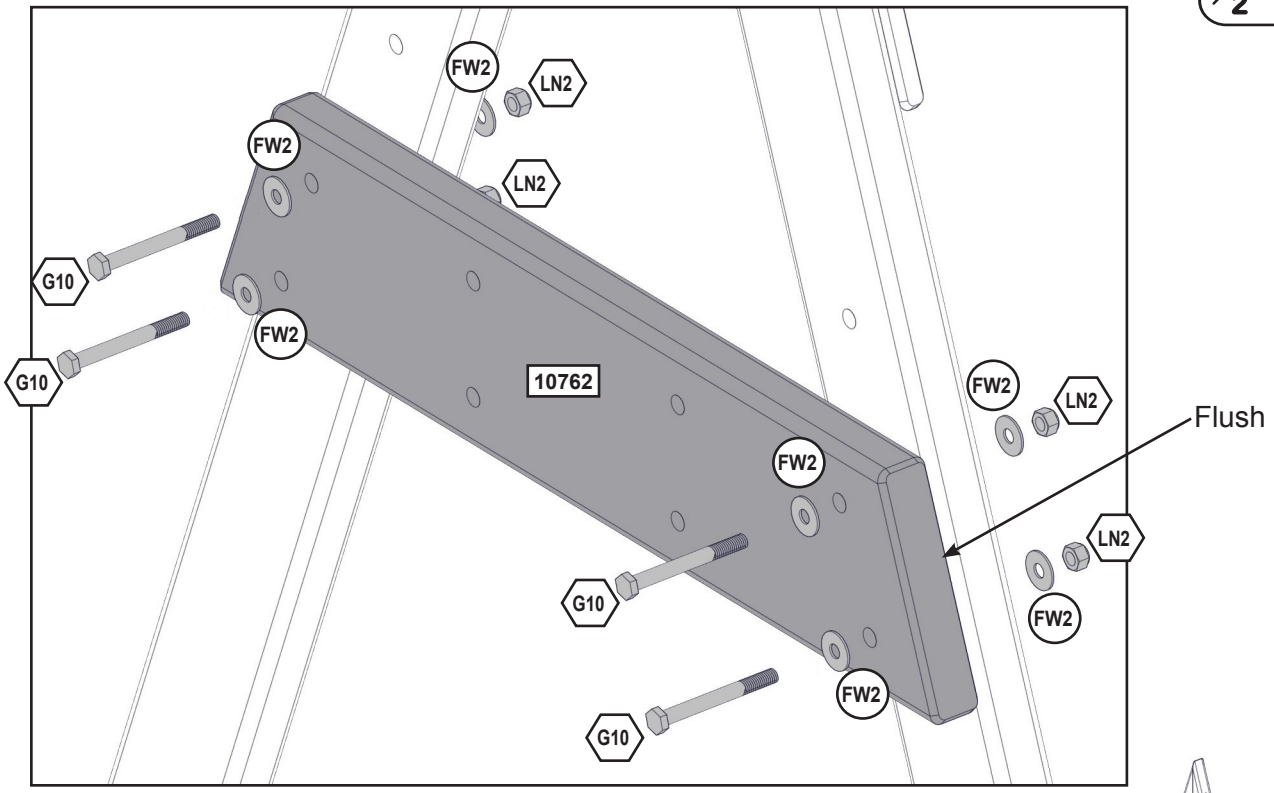
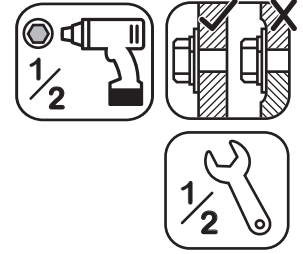


KidKraft
MADE FOR MAKE BELIEVE™

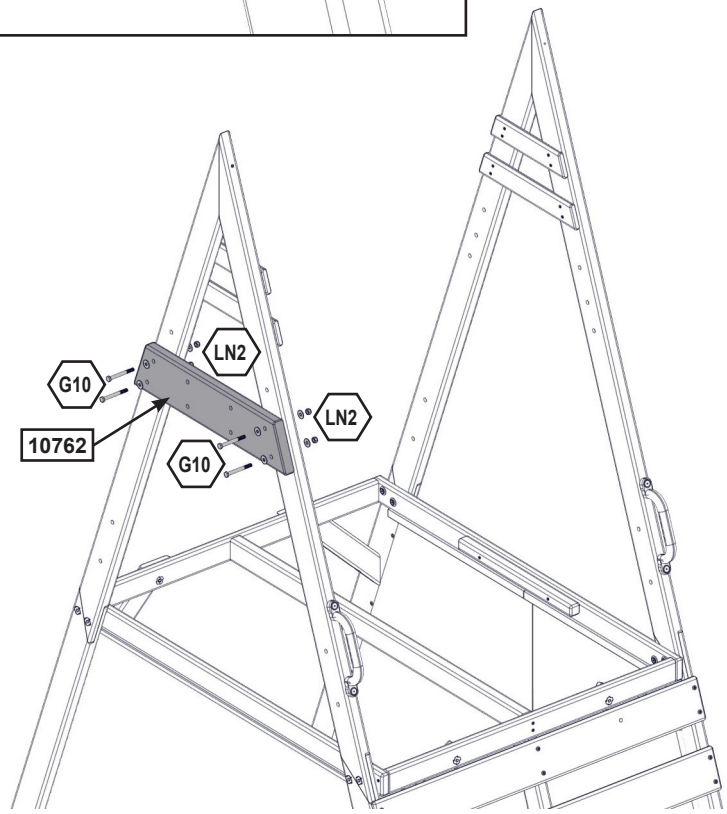
parts.kidkraft.com

customerservice@kidkraft.com
1.800.933.0771
972.385.0100

30



Note: Structure partly removed for clarity.



Wood Parts

1 x **10762** 31.8 x 133.4 x 608 mm (1 1/4" X 5 1/4" X 23 15/16")

Hardware

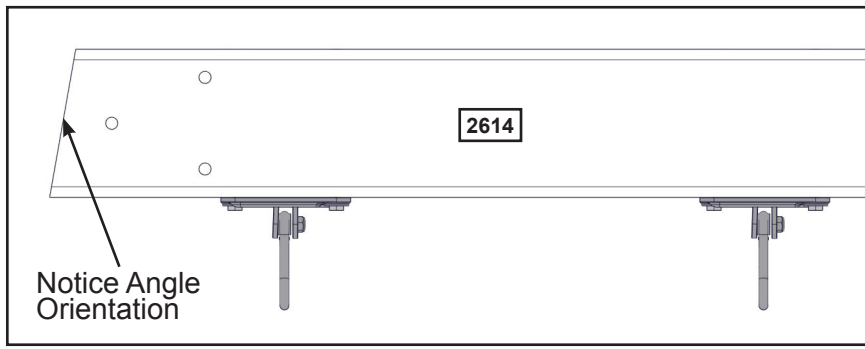
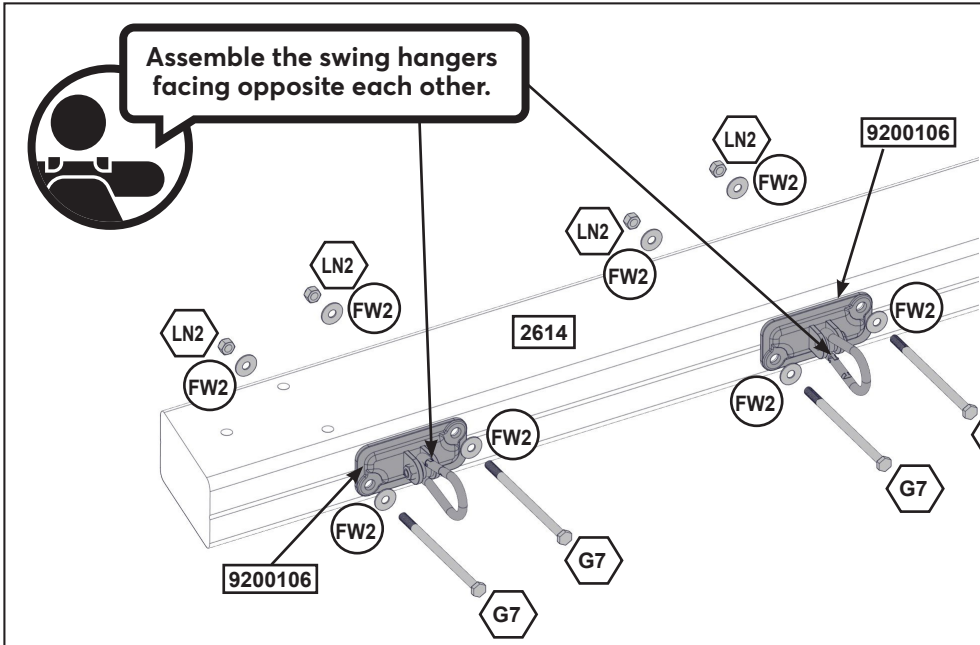
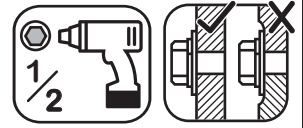
4 x **G10** 7.9mm x 76.2mm (5/16" x 3") (FW2 x 2, LN2)

europcustomerservice@kidkraft.com
 +31 20 305 8620
 M-F from 09:00 to 17:30 (GMT+1)

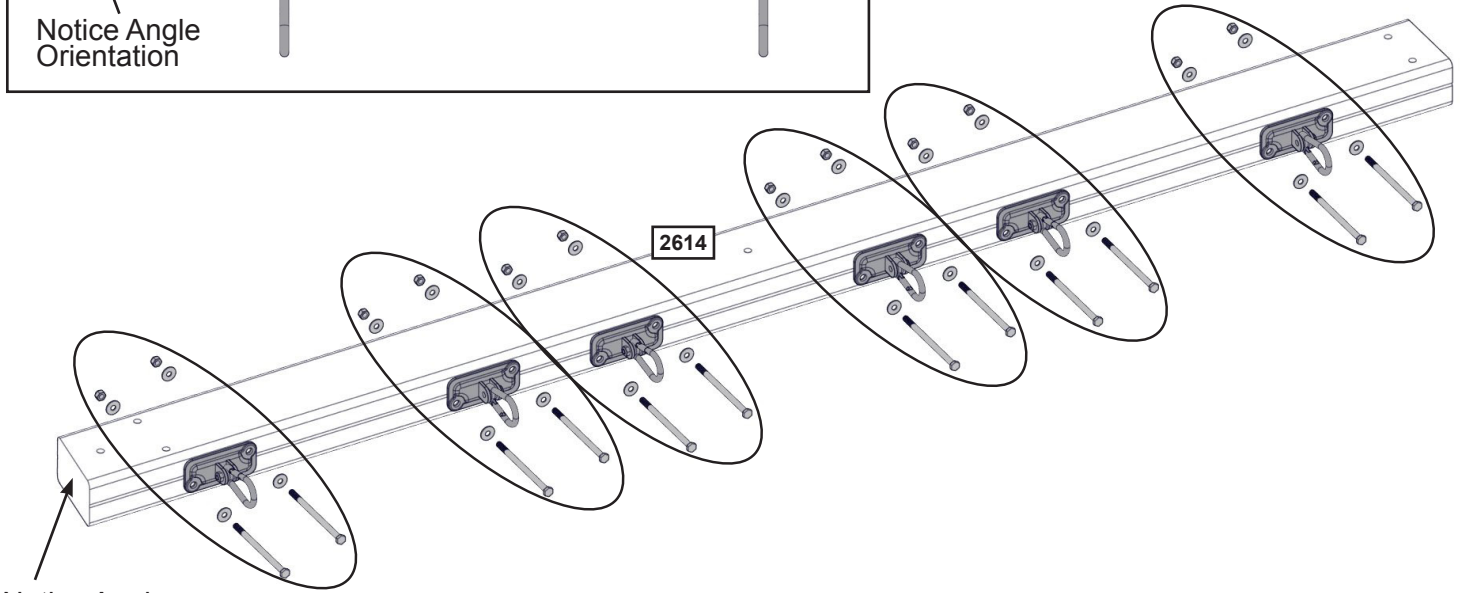
parts.kidkraft.eu



31



Notice Angle Orientation



Notice Angle Orientation

Wood Parts

1 x 2614 76.2 x 133.4 x 2235.2 mm (3" X 5 1/4" X 88")

Hardware

12 x G7 7.9 x 139.7 mm (5/16 x 5-1/2") (LN2, 2 x FW2)

Other Parts

6 x 9200106



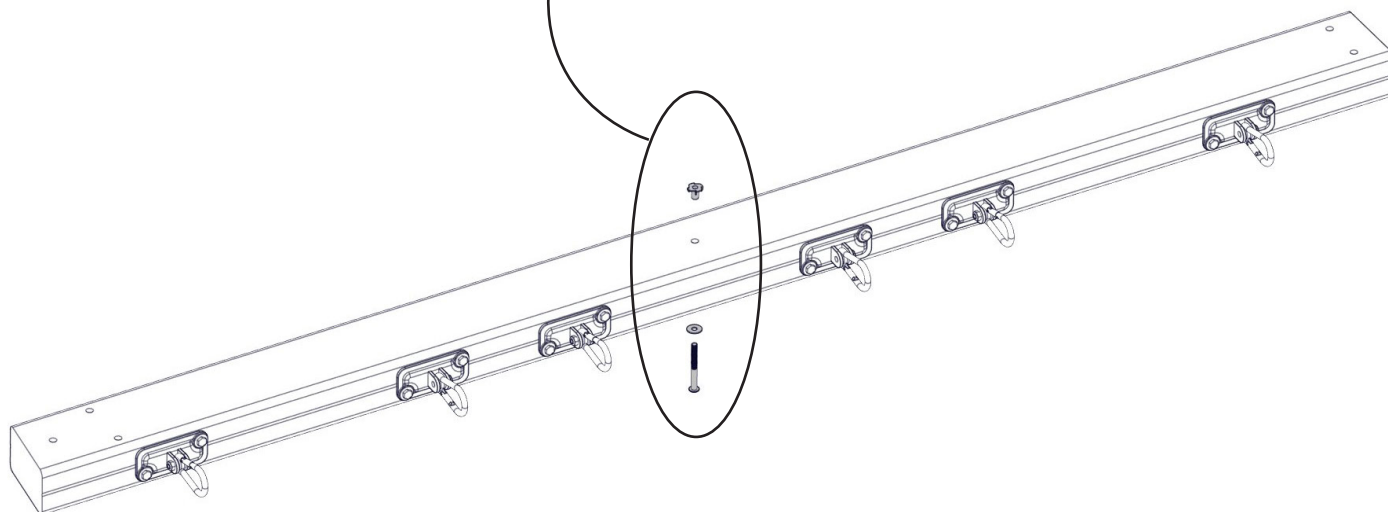
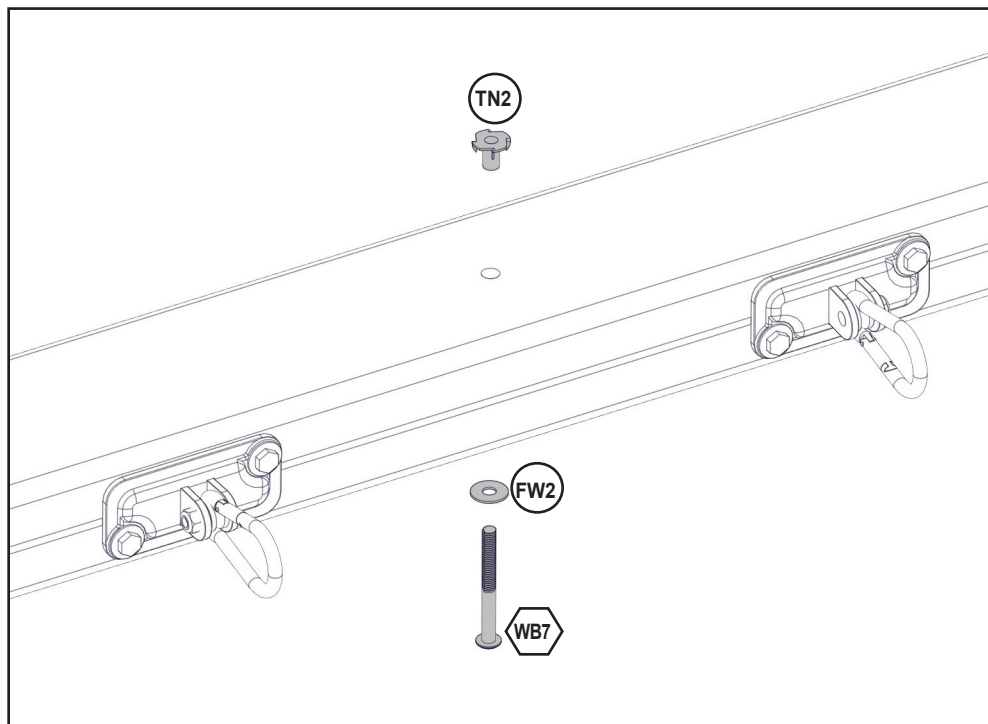
parts.kidkraft.com

customerservice@kidkraft.com
1.800.933.0771
972.385.0100


Assemble T-Nuts first with hammer!

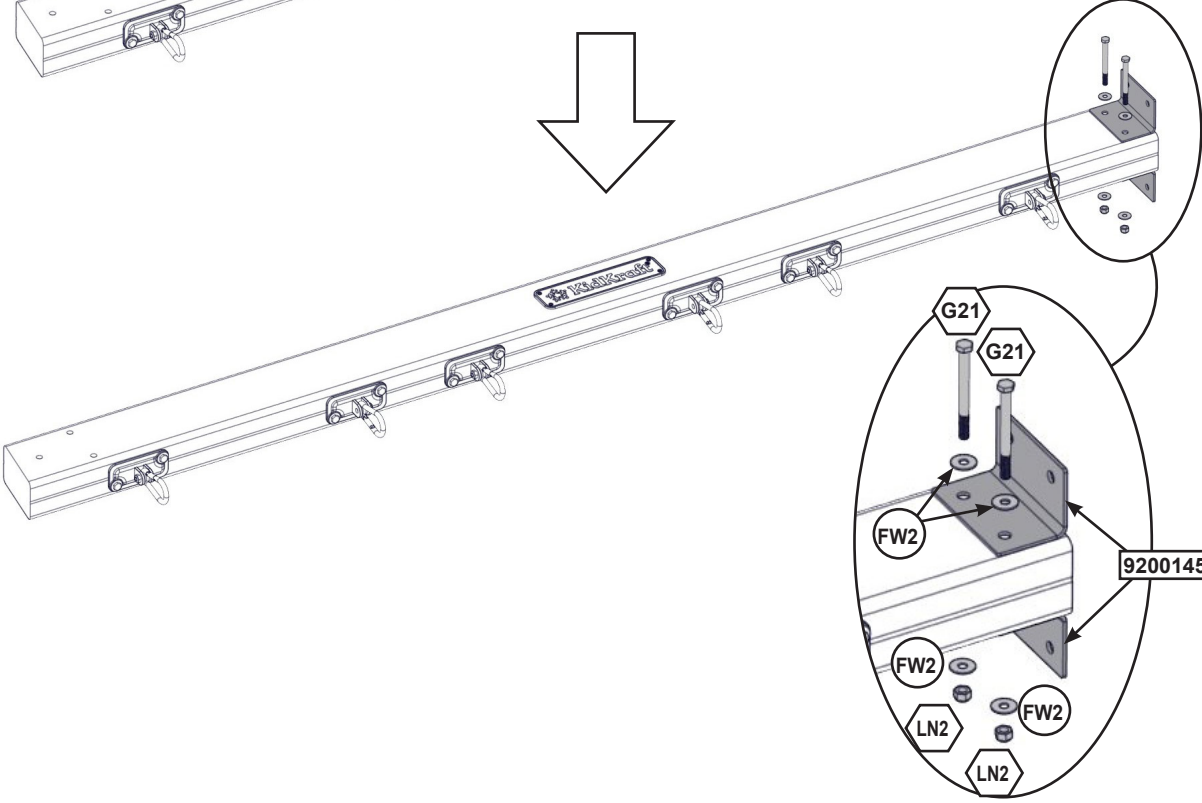
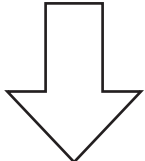
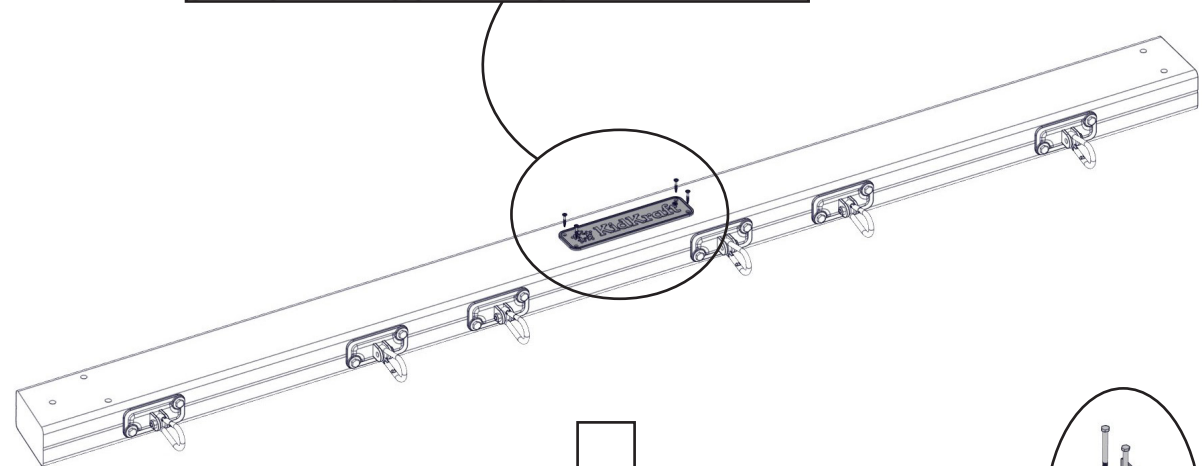
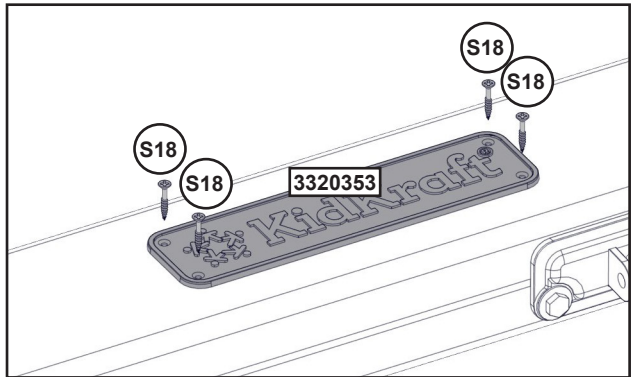


IT IS IMPORTANT THAT THIS BOLT IS ATTACHED. IT WILL MINIMIZE CHECKING OF WOOD.



Hardware

1 x  7.9 x 76.2mm (5/16 x 3") (FW2 , TN2)



Hardware

- 2 x 7.9 x 95 mm (5/16 x 3-3/4") (2 x FW2, LN2)
- 4 x #6 x 25.4 mm (#6 x 1")

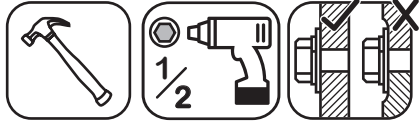
Other Parts

- 2 x 9200145
- 1 x 3320353

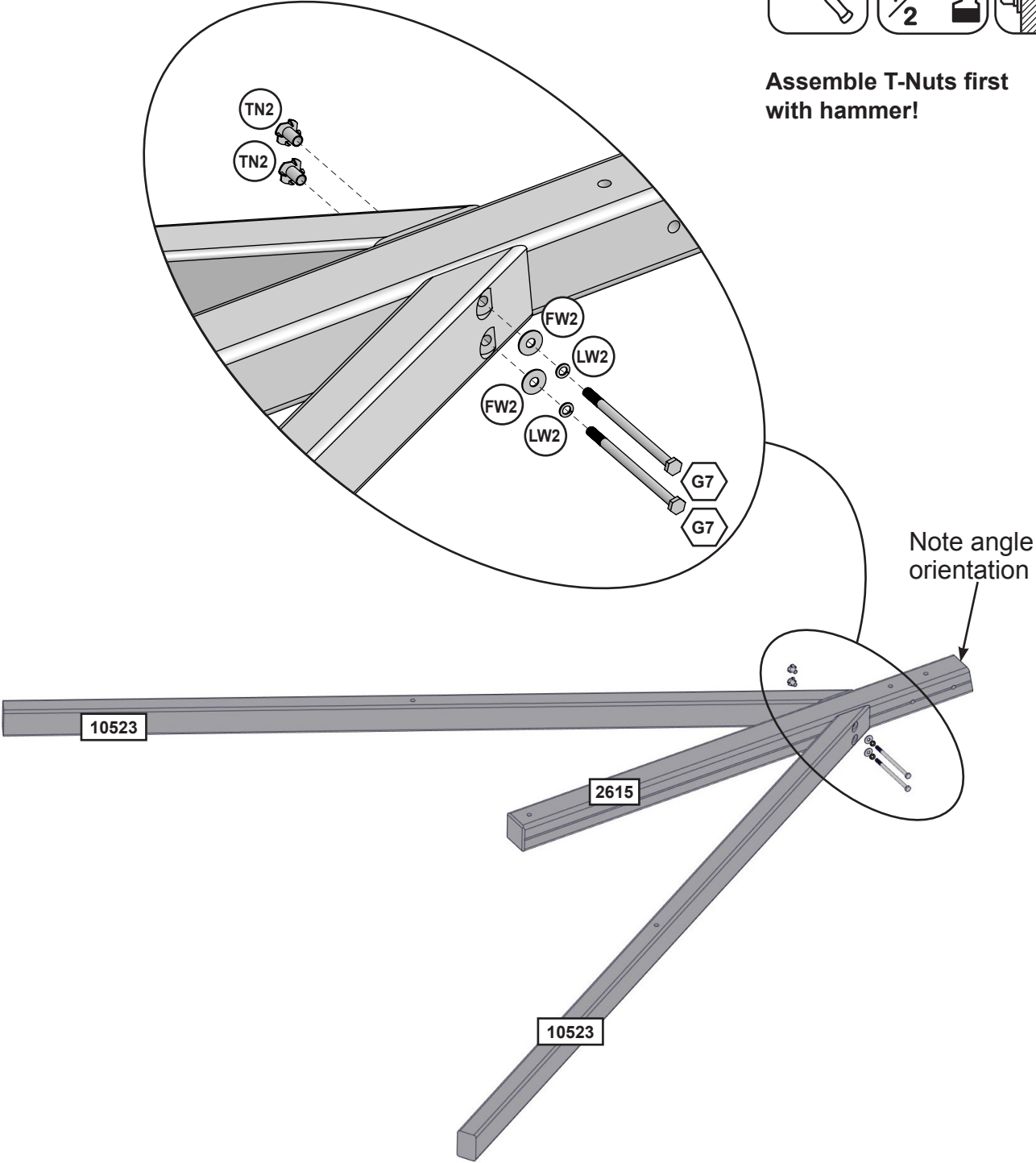


parts.kidkraft.com

customerservice@kidkraft.com
 1.800.933.0771
 972.385.0100



Assemble T-Nuts first with hammer!



Wood Parts

- 2 x **10523** 50.8 x 76.2 x 2063.9 mm (2" x 3" x 81 1/4")
- 1 x **2615** 76.2 x 76.2 x 1294.3 mm (3" x 3" x 50 15/16")

Hardware

- 2 x **G7** 7.9 x 139.7 mm (5/16 x 5-1/2") (LW2, FW2, TN2)

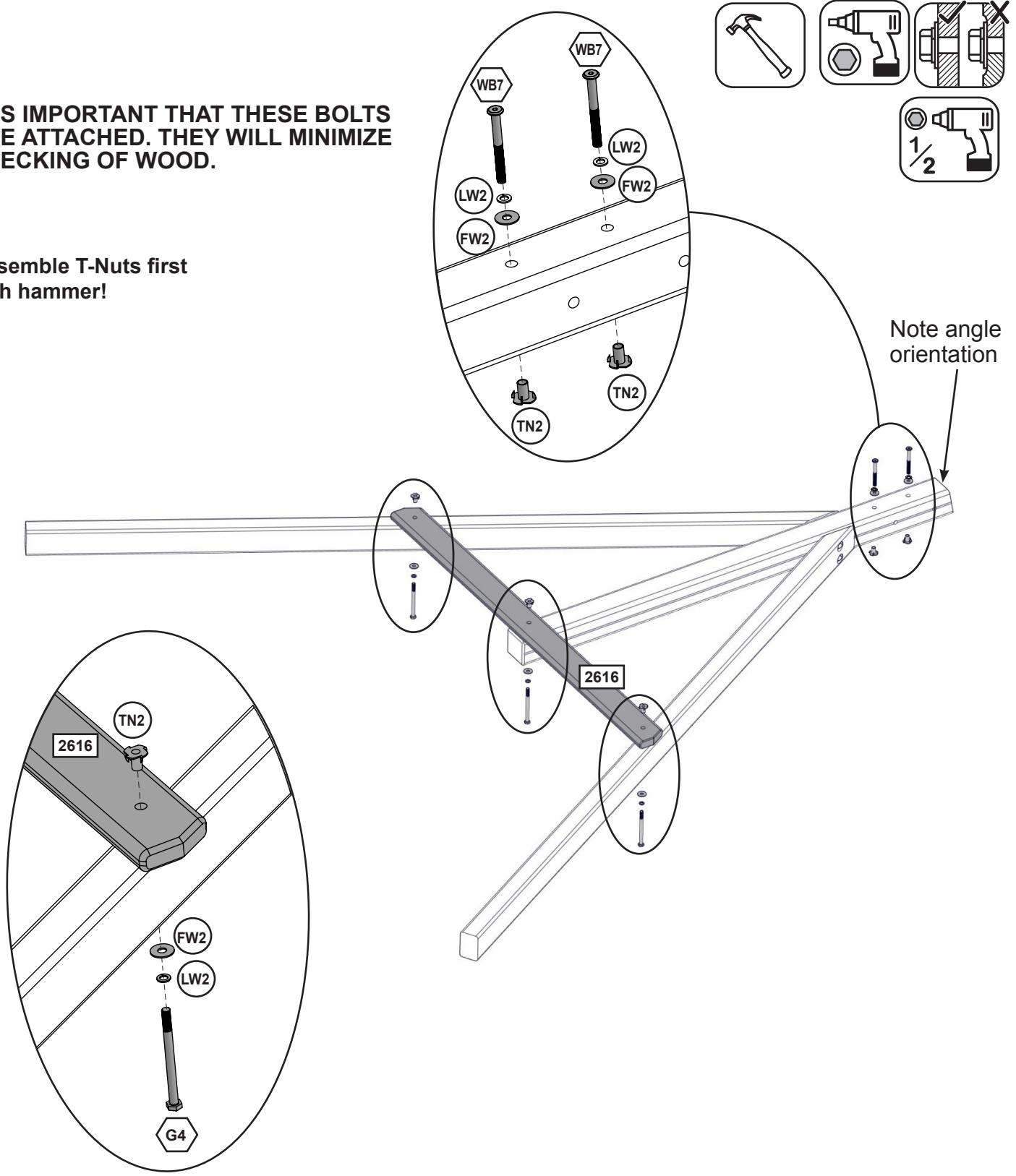
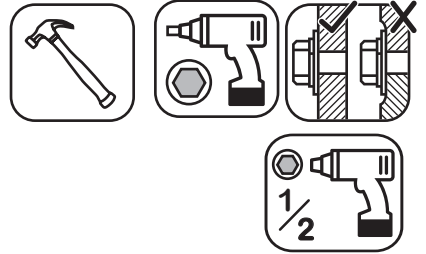
europecustomerservice@kidkraft.com
 +31 20 305 8620
 M-F from 09:00 to 17:30 (GMT+1)

parts.kidkraft.eu



IT IS IMPORTANT THAT THESE BOLTS ARE ATTACHED. THEY WILL MINIMIZE CHECKING OF WOOD.

Assemble T-Nuts first with hammer!



Wood Parts

1 x **2616** 23.8 x 82.6 x 1181.1 mm (15/16" x 3 1/4" x 46 1/2")

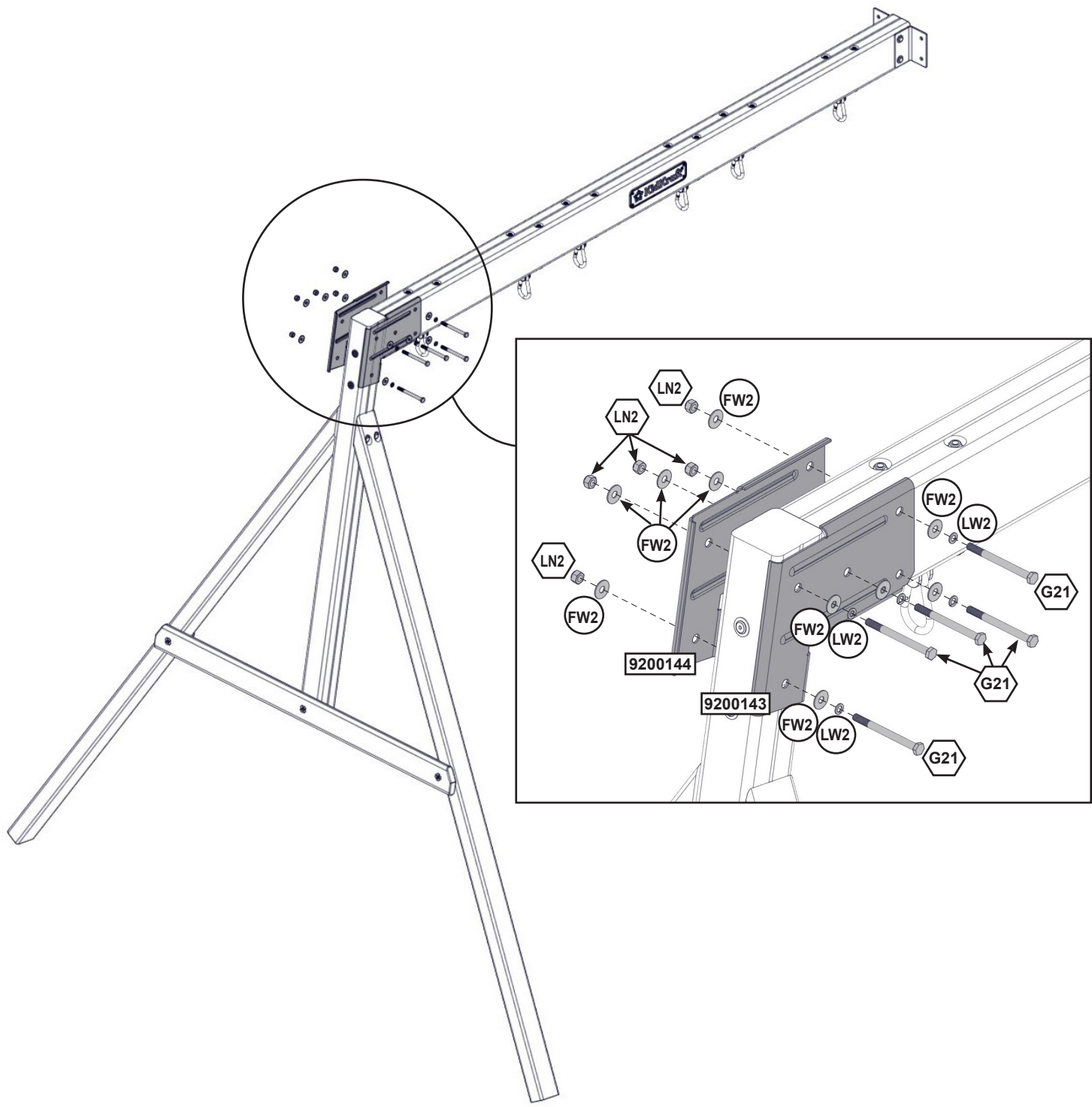
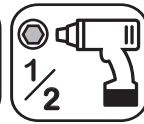
Hardware

- 3 x **G4** 7.9 x 101.6mm (5/16 x 4") (LW2, FW2, TN2)
- 2 x **WB7** 7.9 x 76.2mm (5/16 x 3") (LW2, FW2, TN2)




parts.kidkraft.com

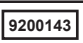
customerservice@kidkraft.com
 1.800.933.0771
 972.385.0100



Hardware

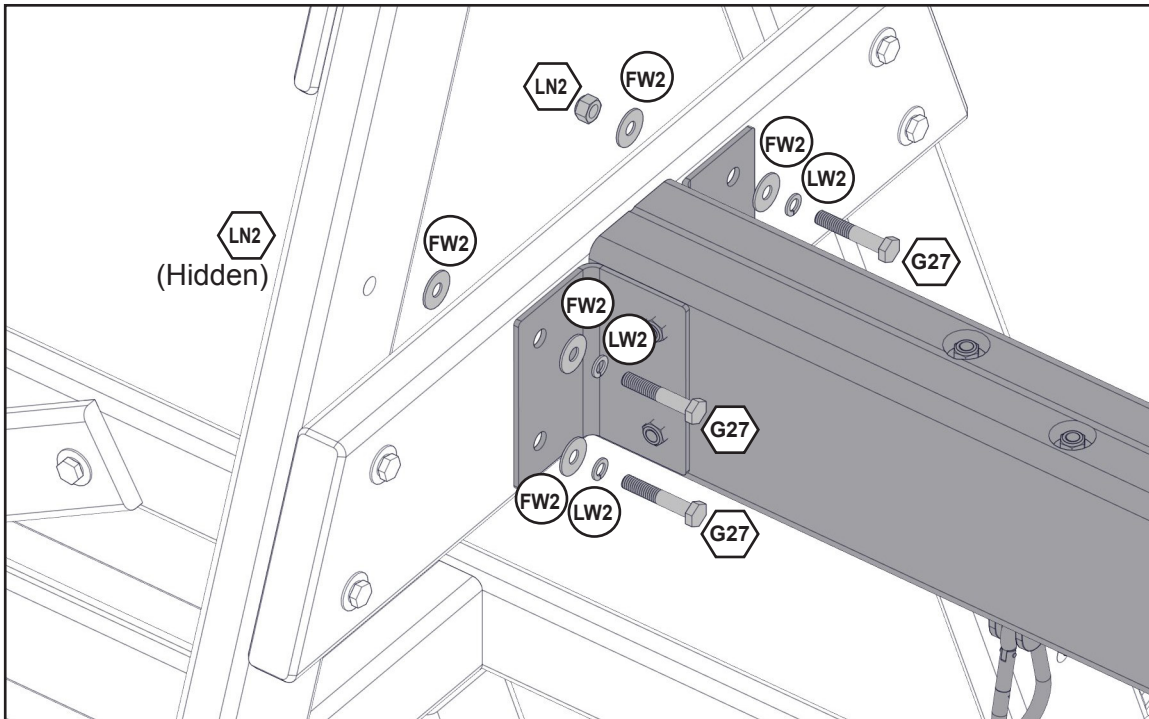
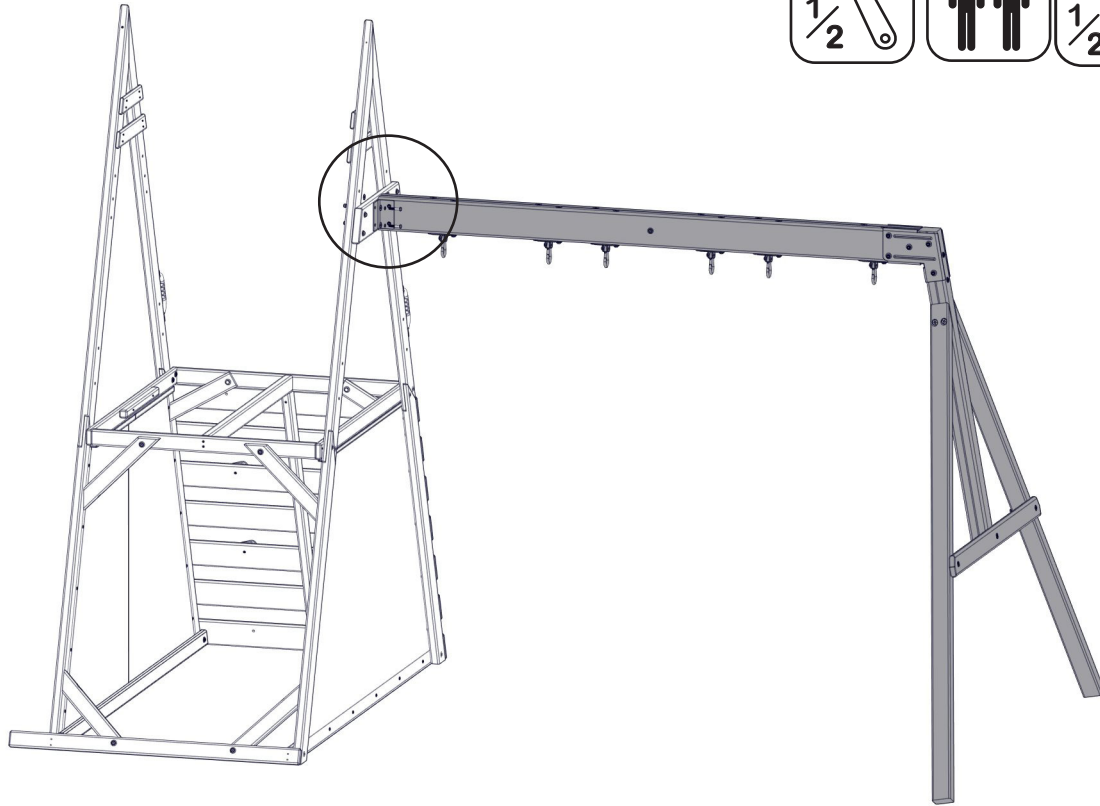
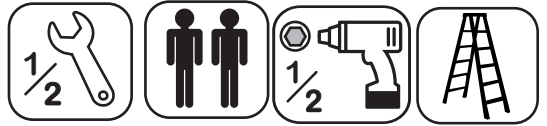
5 x  7.9 x 95 mm (5/16 x 3-3/4") (LW2, LN2, 2 x FW2)

Other Parts

1 x 

1 x 





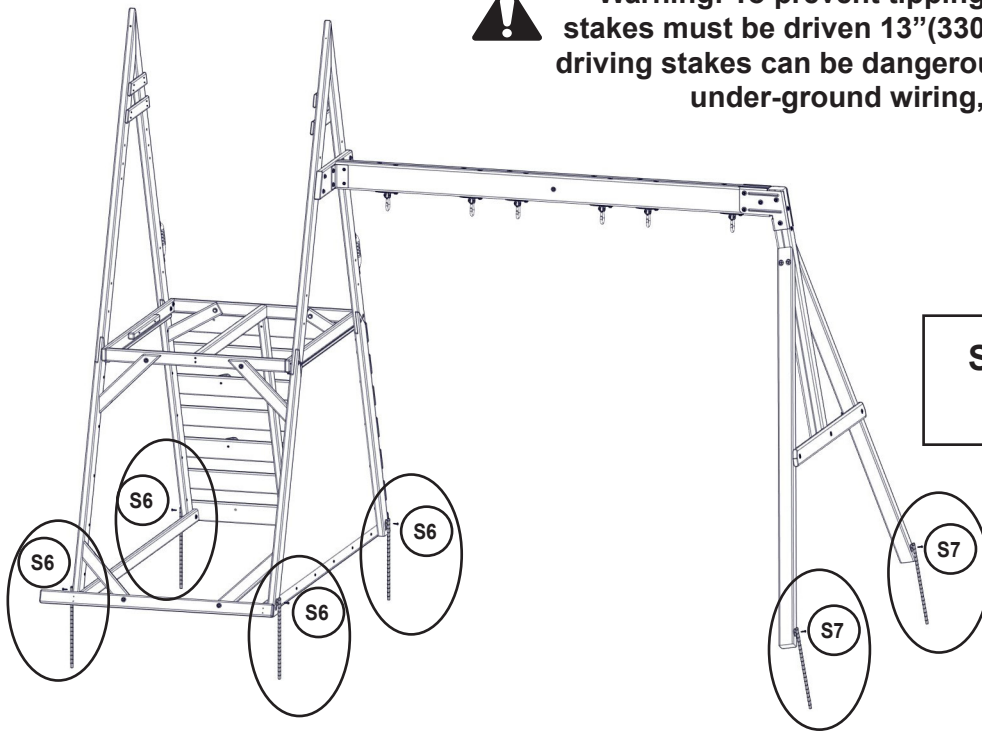
Hardware

4 x  7.9mm x 44.5 mm (5/16 x 1-3/4") (FW2 x 2, LW2, LN2)

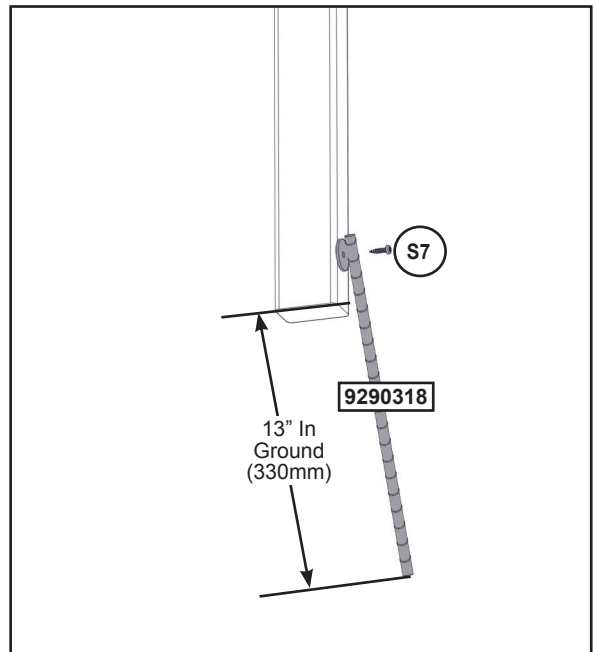
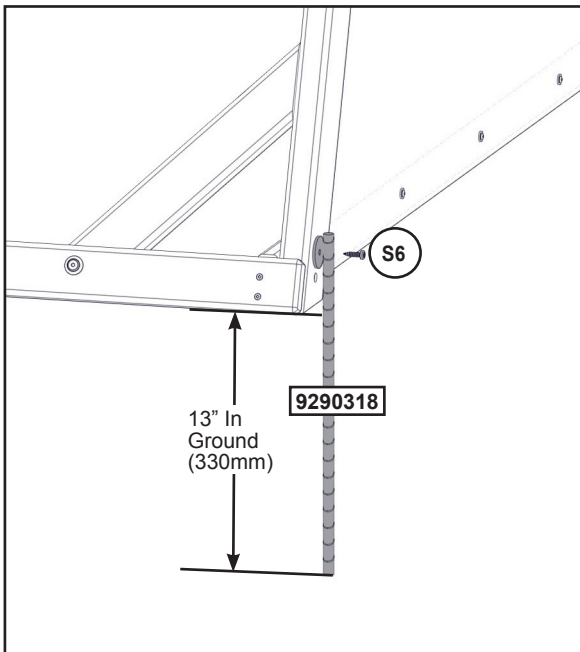
**MOVE FORT TO FINAL LOCATION PRIOR TO STAKING
FINAL LOCATION MUST BE LEVEL GROUND**



Warning! To prevent tipping and avoid potential injury, stakes must be driven 13" (330mm) into ground. Digging or driving stakes can be dangerous if you do not check first for under-ground wiring, cables or gas lines.



**SEE COVER PAGE FOR
SAFETY CLEARANCE**



Hardware

- 2 x #12 x 50.8mm (#12 x 2")
- 4 x #12 x 25.4mm (#12 x 1")

Other Parts

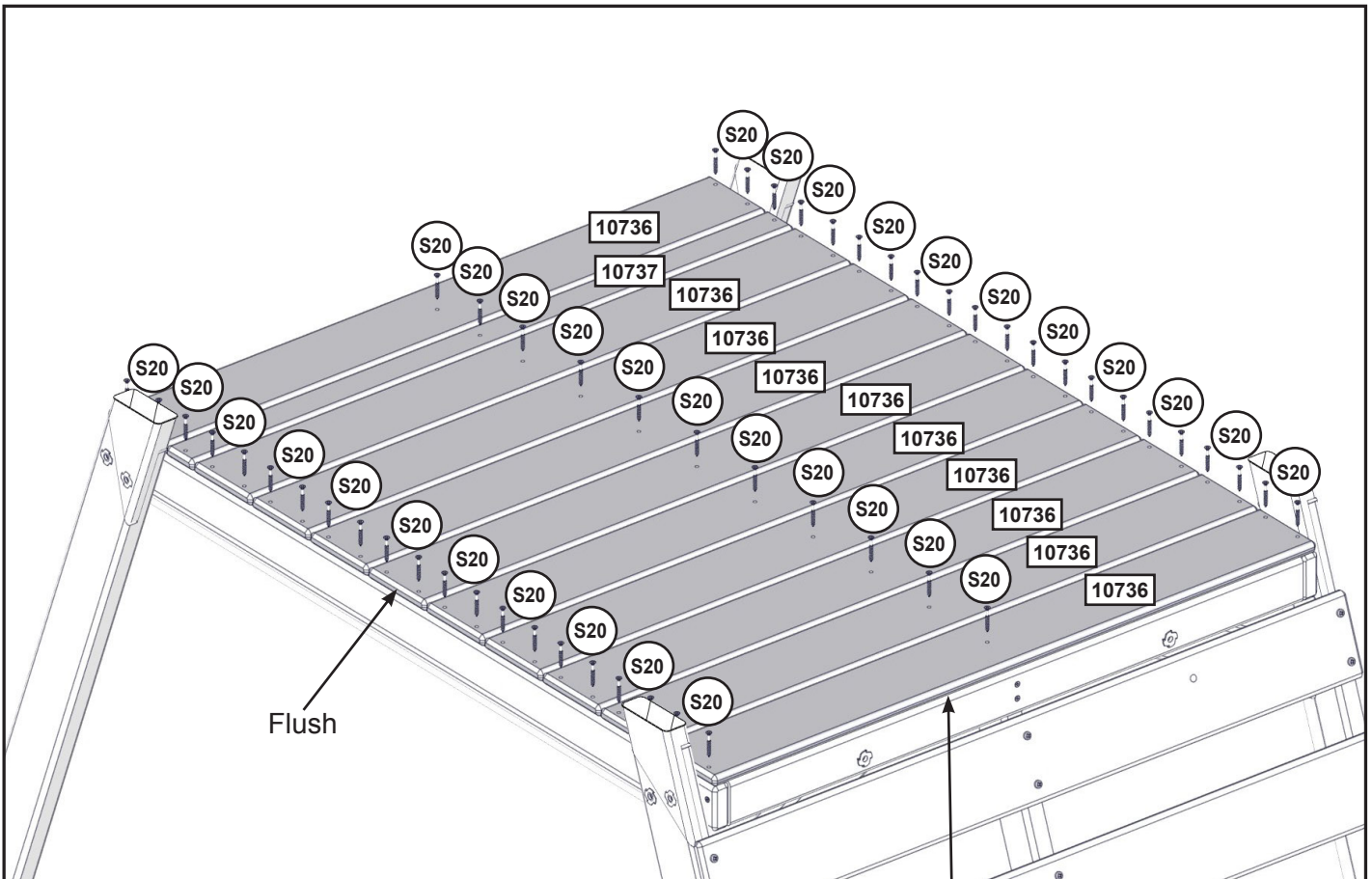
- 6 x





Evenly space the floor boards

Note: Structure partly removed for clarity.



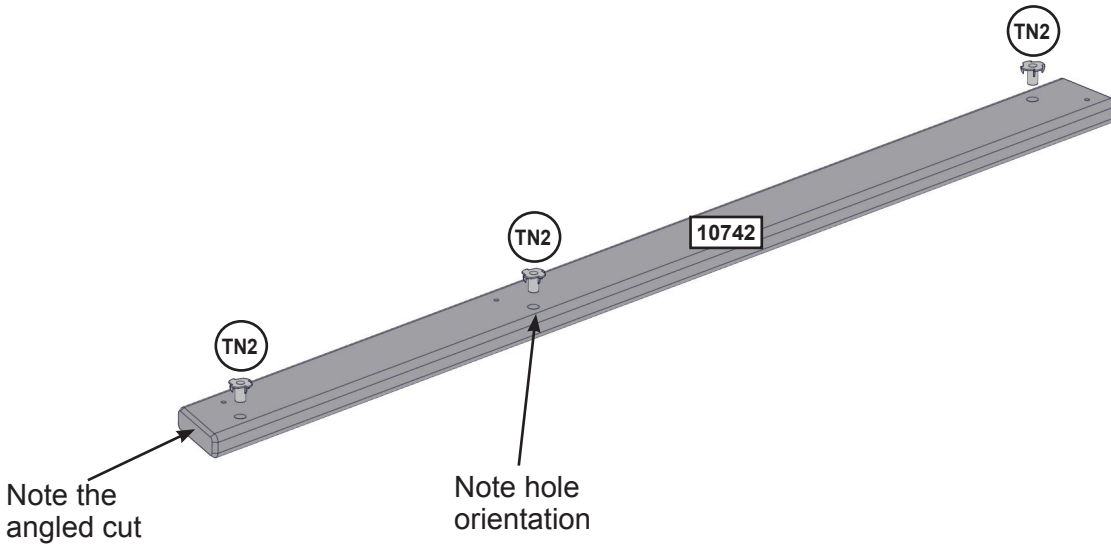
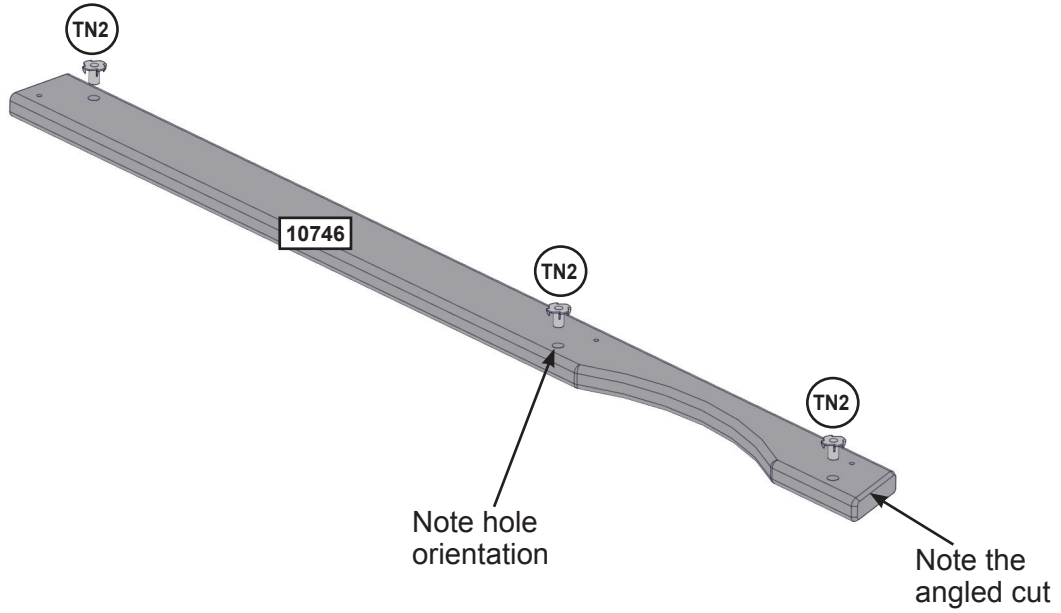
Wood Parts

- 10 x 10736 15.9 x 114.3 x 963 mm (5/8" X 4 1/2" X 37 15/16")
- 1 x 10737 15.9 x 53.5 x 963 mm (5/8" X 2 1/8" X 37 15/16")

Hardware

- 53 x S20 #8 x 34.9mm (#8 x 1-3/8")

Assemble T-Nuts first with hammer!



Wood Parts

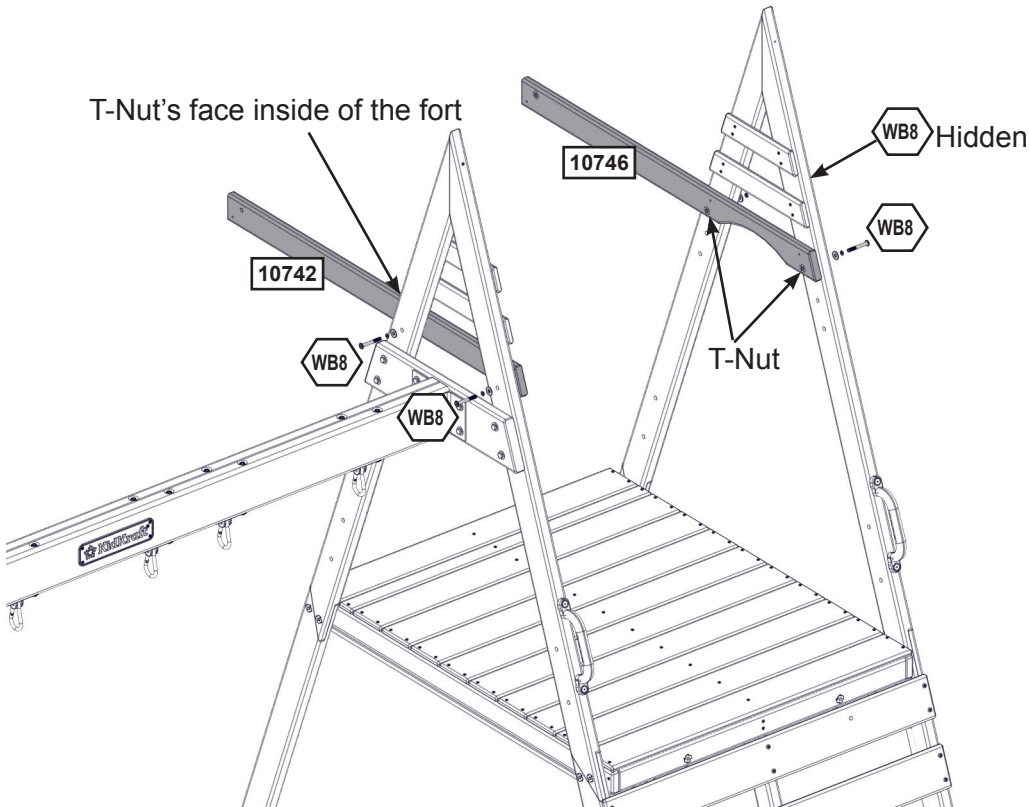
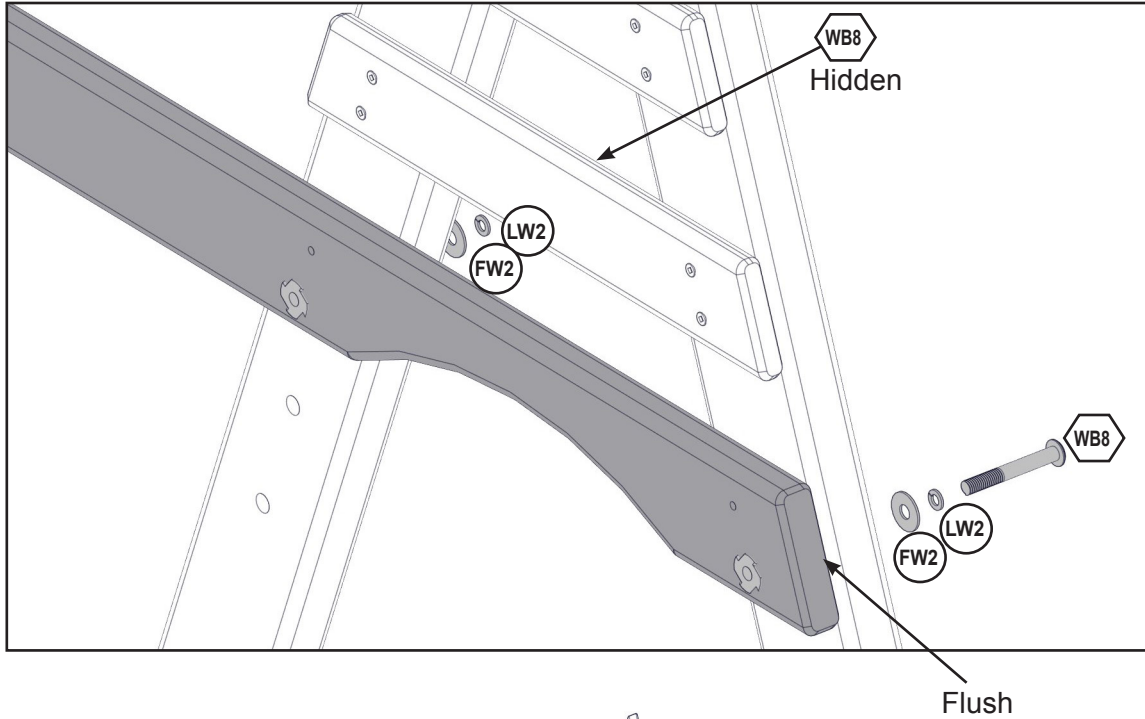
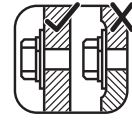
- 1 x 10746 23.8 x 76.2 x 1169.7 mm (15/16" X 3" X 46")
- 1 x 10742 23.8 x 76.2 x 1169.7 mm (15/16" X 3" X 46")

Hardware


- 6 x TN2



Note: Structure partly removed for clarity.



Hardware

4 x  7.9mm x 60.3 mm (5/16 x 2-3/8") (FW2, LW2)