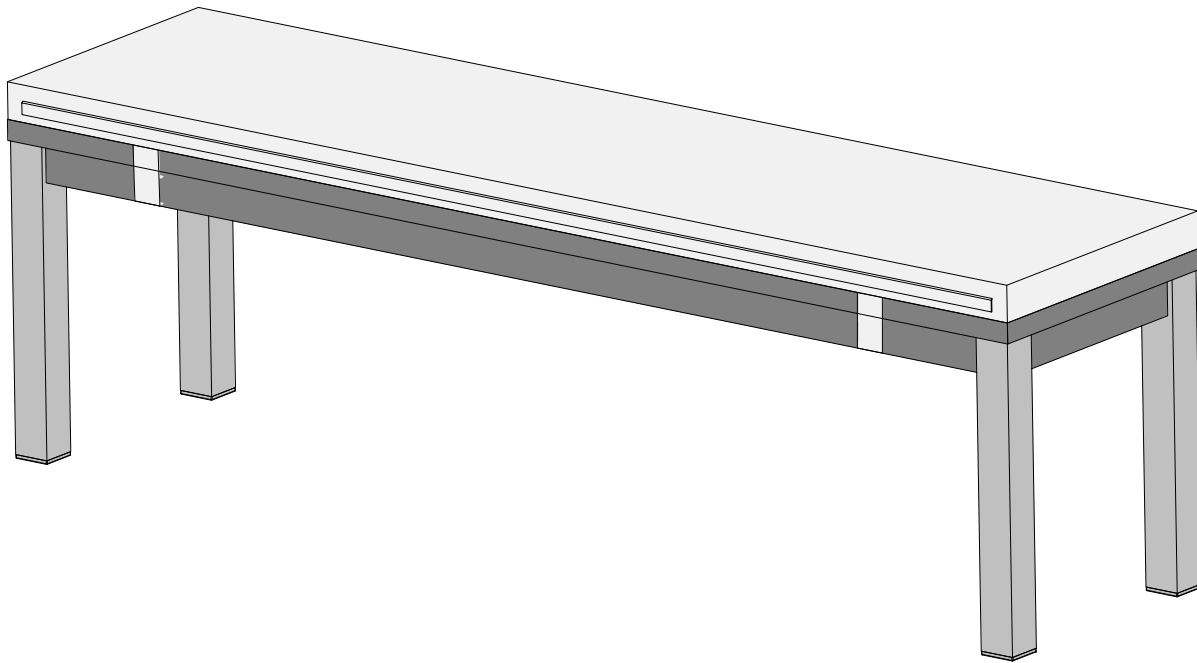


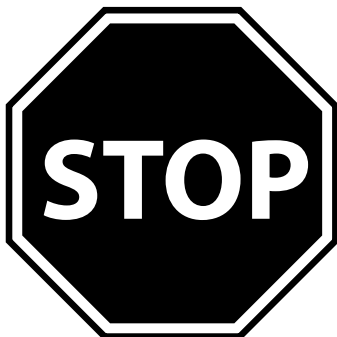
# Outdoor Furniture



## Monterey Dining Bench

SS-Natural Teak / Charcoal Alum-Natural Teak

### INSTALLATION GUIDE



**ATTENTION:** Is your Bench damaged?

Need help or spare parts? For fastest service,  
contact NewAge Products at 1-877-306-8930;  
or [support@newageproducts.com](mailto:support@newageproducts.com).  
Do not return to the retailer.

IM-ODF.07A-01-Rev1.1

For the online installation manual and videos regarding this product, please check out our support hub:

<https://newageproducts.com/support-hub/#outdoor-furniture>

# Index

---

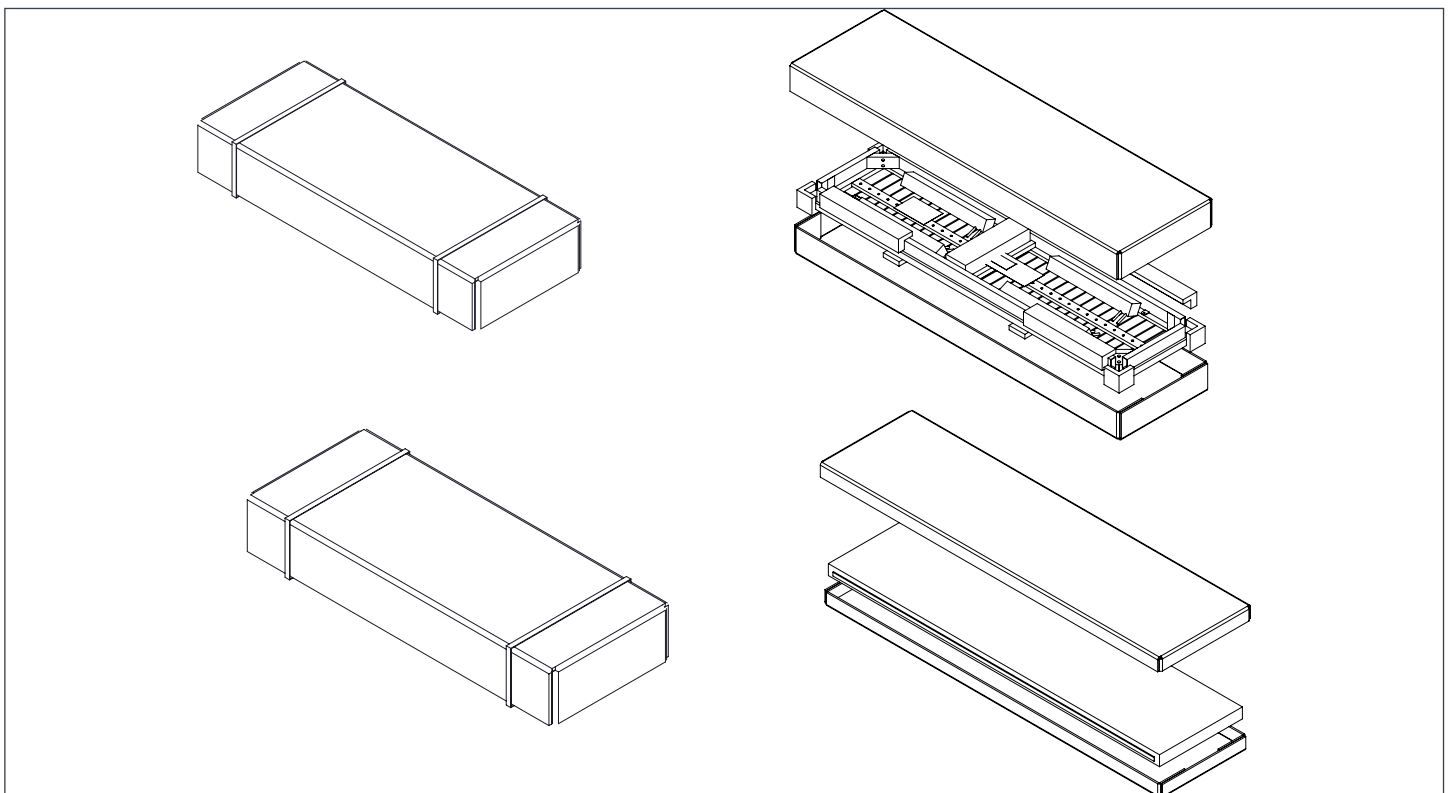
<b>Unpacking</b>	2
<b>Product Inspection</b>	3
<b>Product Specifications</b>	3
<b>Tools Needed</b>	4
<b>Hardware Included</b>	4
<b>Assembling the Bench</b>	5
<b>Bill of Materials - Dining Bench</b>	7
<b>Cleaning and Care</b>	8
<b>NEWAGE PRODUCTS INC. OUTDOOR FURNITURE MANUFACTURER WARRANTY</b>	10

---

## Unpacking

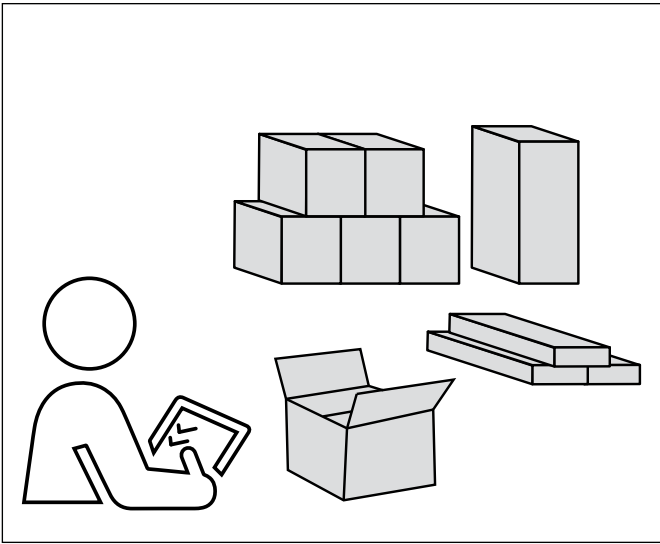
---

- Begin by placing the package on a covered flat surface.
- Remove all cardboard and foam packaging material.
- Dispose / recycle all packaging materials.
- Verify all the contents in the box and gather the required tools. See “Tools Needed” in the list below.



# Product Inspection

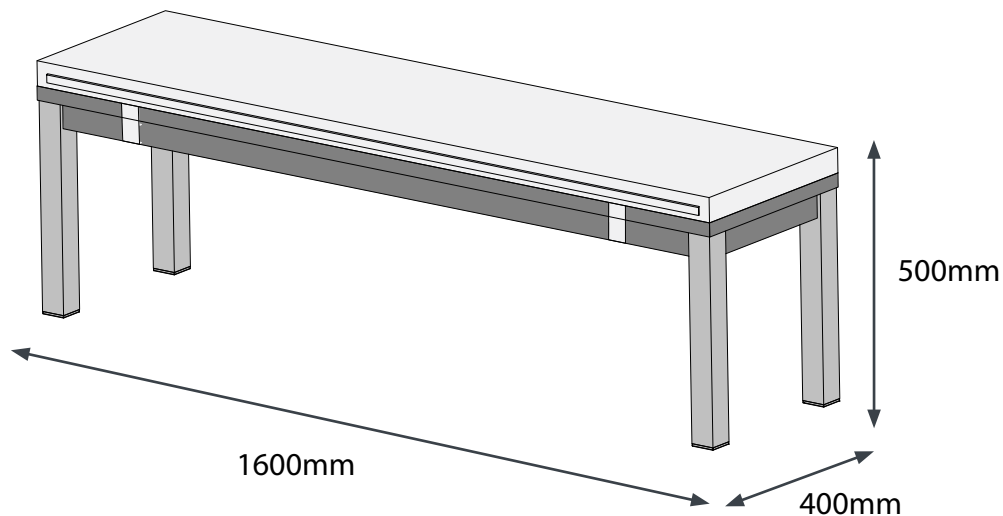
---



- Check to see all parts are received as per the order placed.
- Contact NewAge Products at 1-877-306-8930; for any missing parts.
- Inspect the products for any damages before starting the installation.
- Go through the installation instructions carefully before starting the installation.

# Product Specifications

---



**W 1600mm x D 400mm x H 500mm**  
**SS-Natural Teak - SKU# 91031**  
**Charcoal Alum-Natural Teak - SKU# 91036**

# Tools Needed

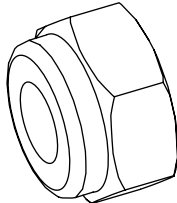
---



Socket Wrench

# Hardware Included

---



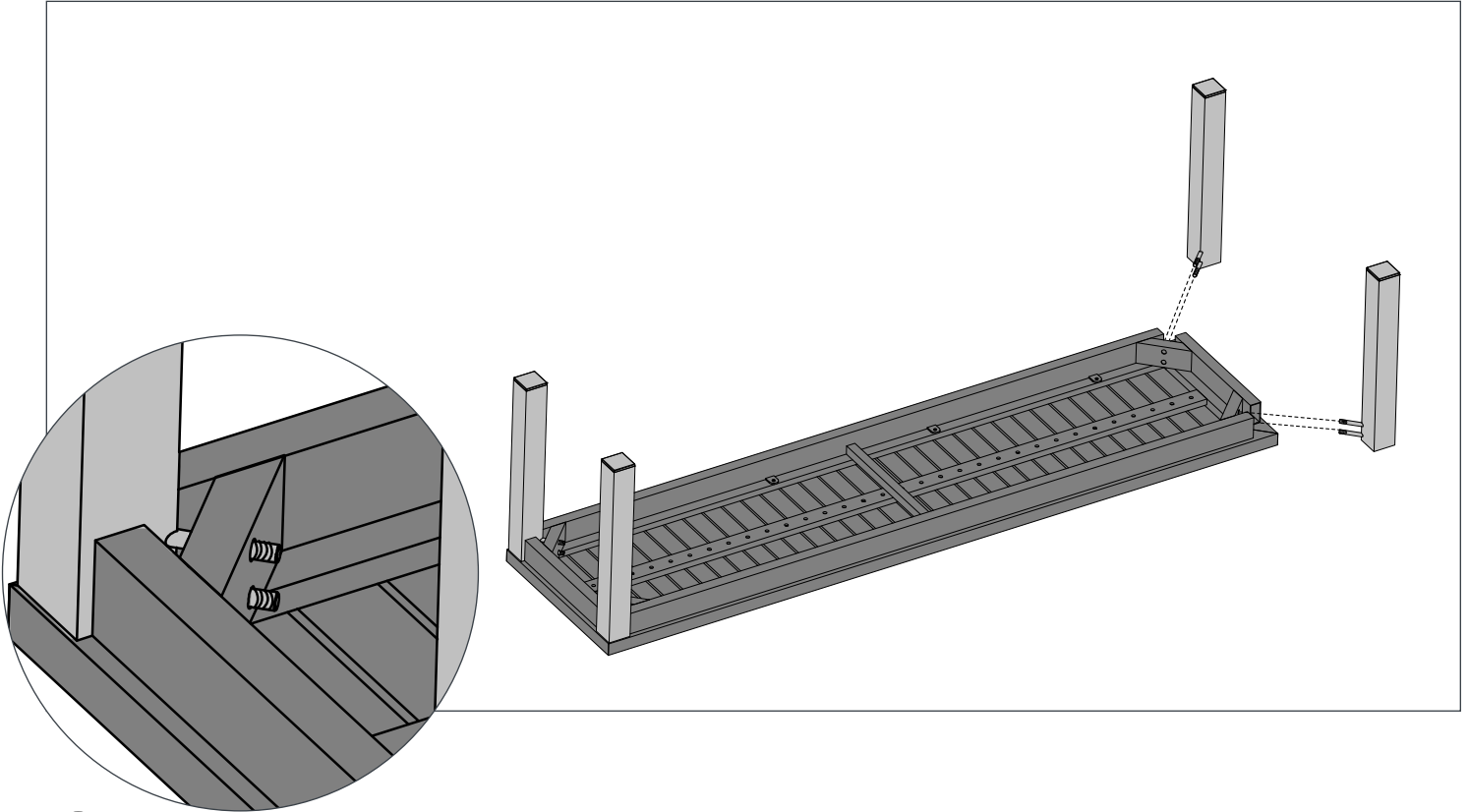
M8 Lock Nuts  
**X8**



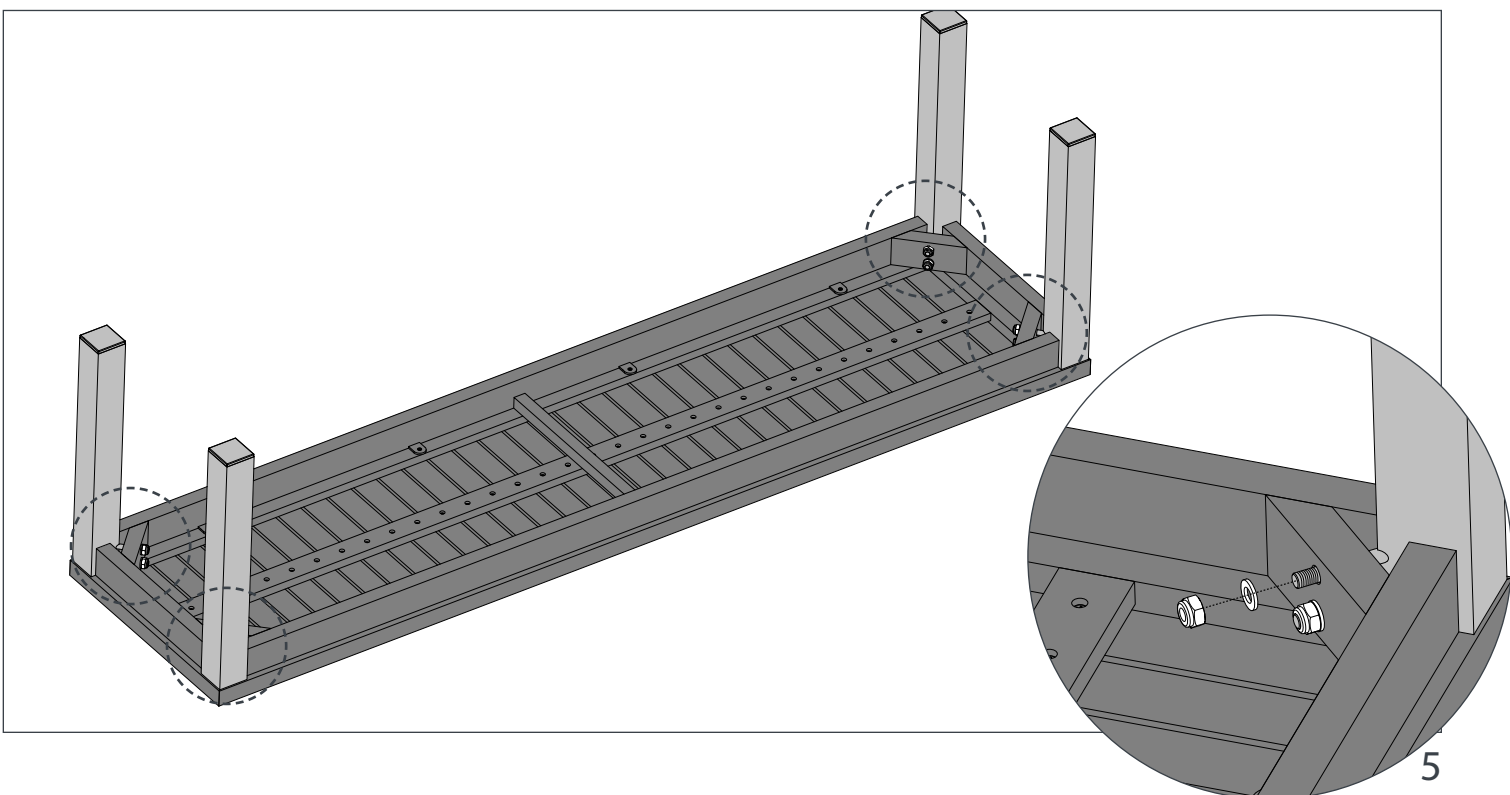
16mm Washer  
**X8**

# Assembling the Bench

- 1** Flip the teak top assembly and place it on a protective surface. Attach legs by fixing lag bolts on the legs through the holes at the corners of the top assembly.

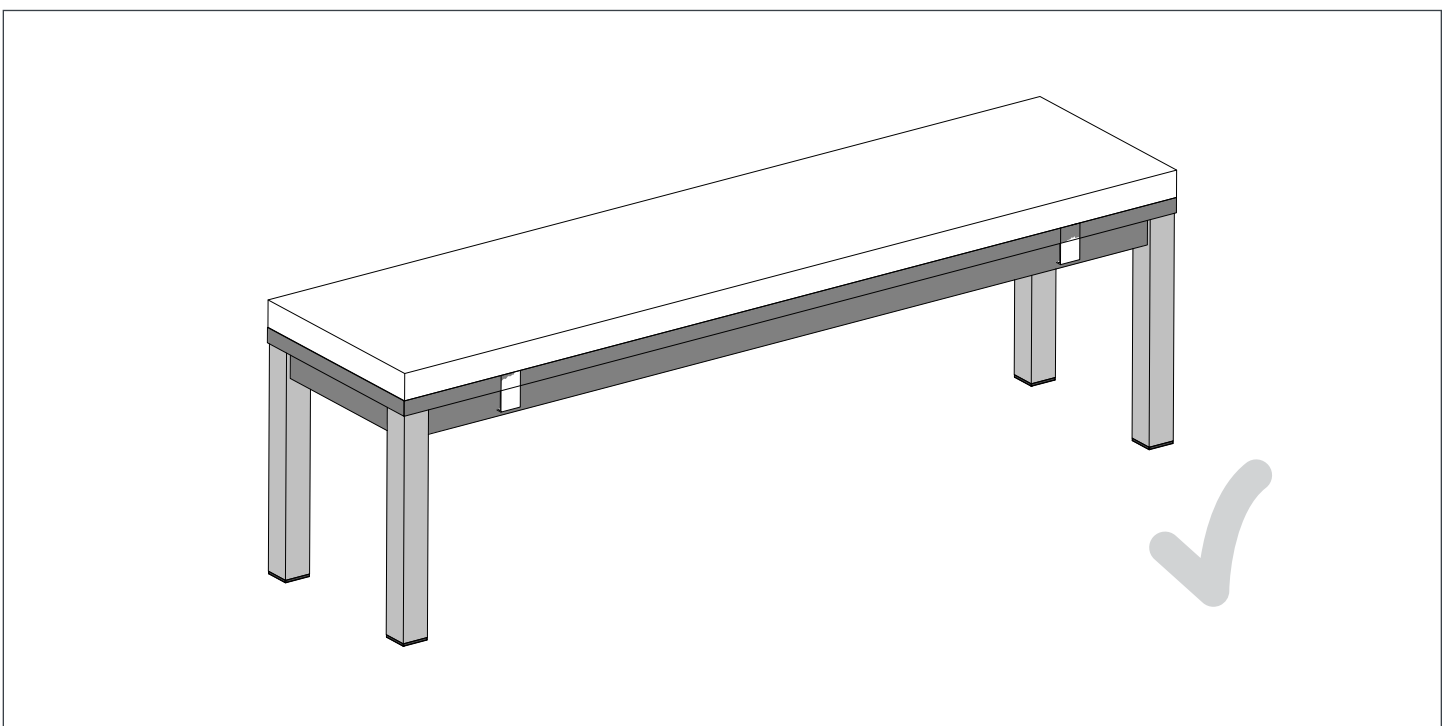
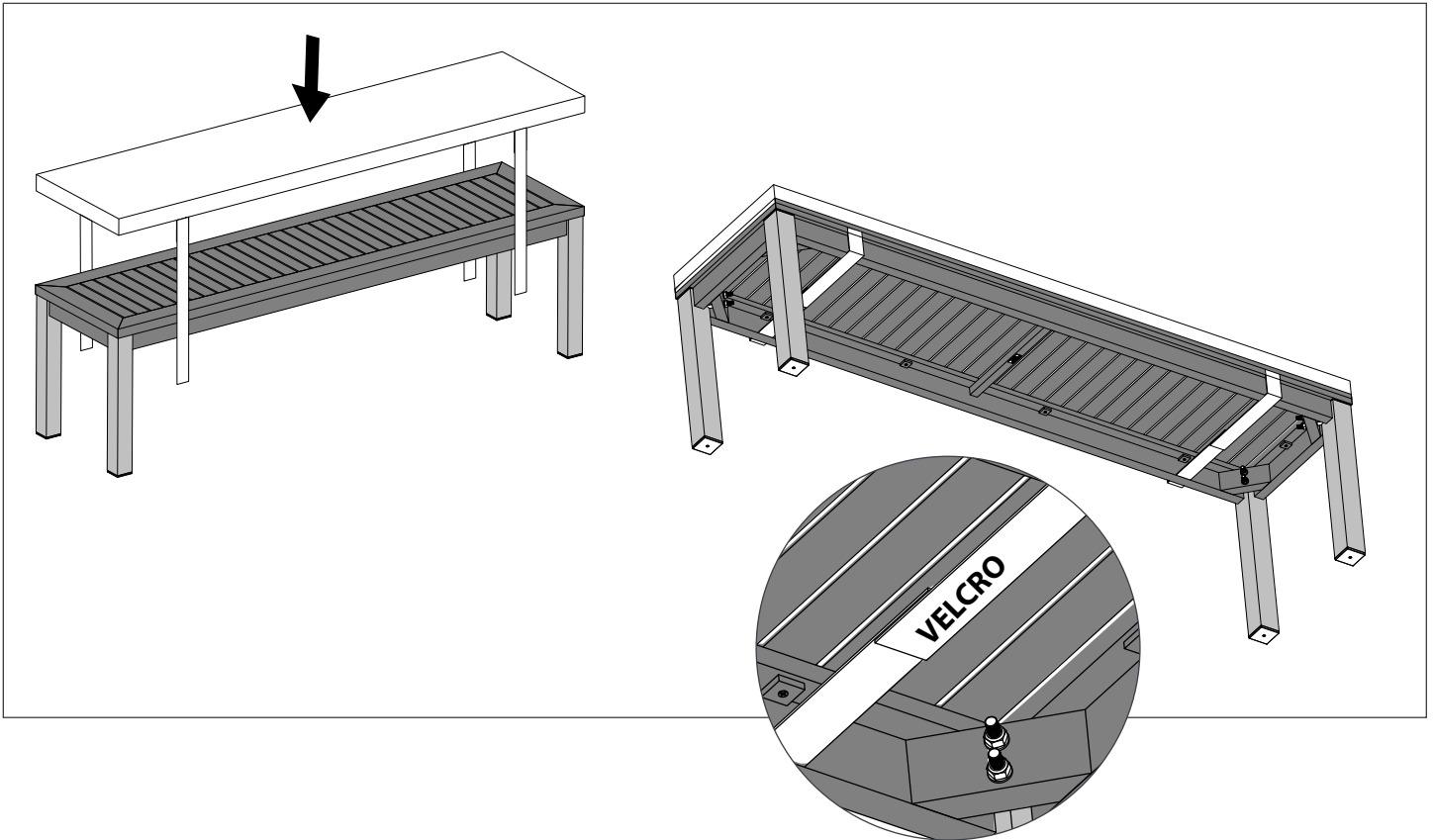


- 2** Secure the legs by fixing a 16mm washer and a M8 lock nuts at each corner to all leg bolts.

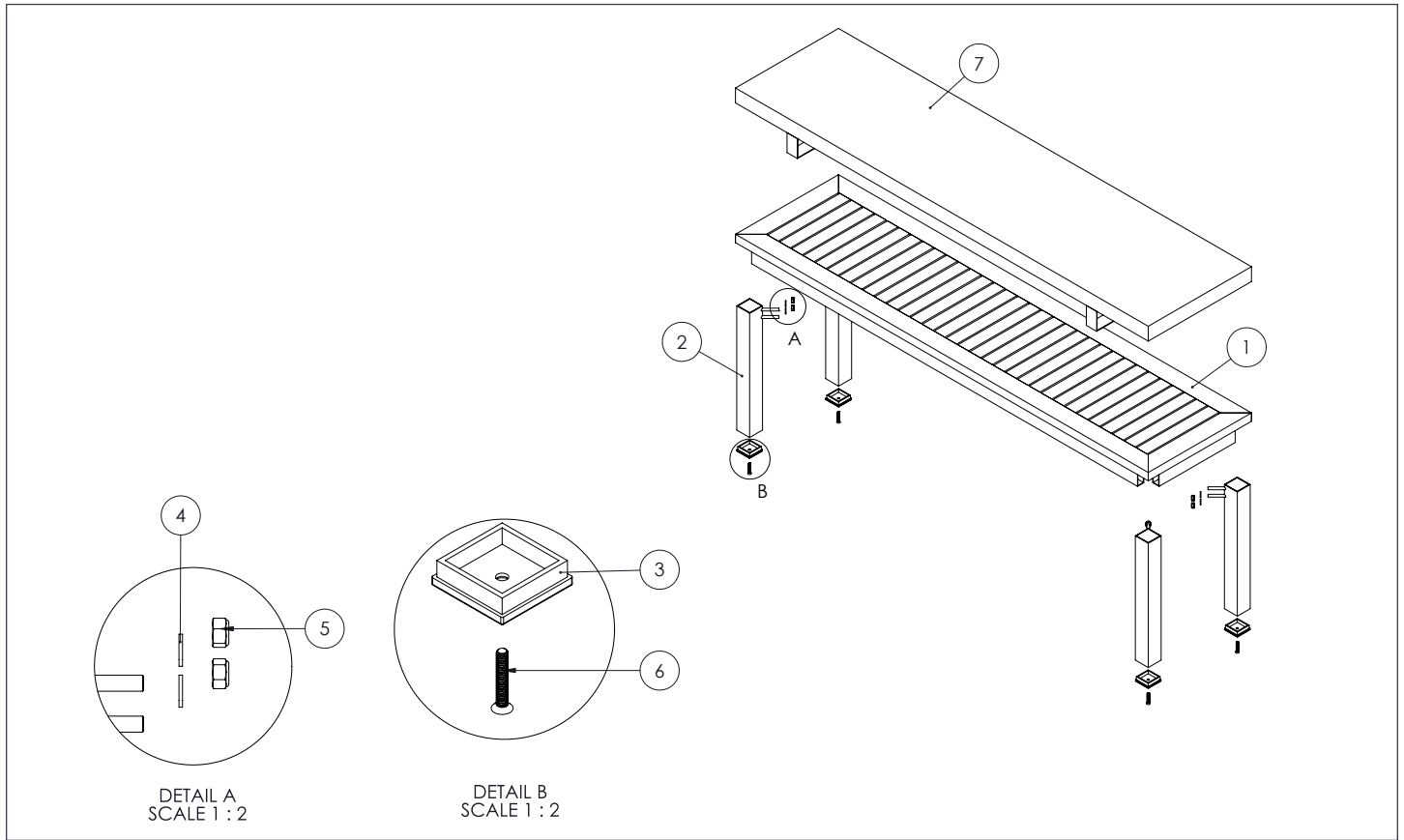


# Assembling the Bench

- 3** Place the cushion on top of the bench assembly and secure it using straps from the bottom.



# Bill of Materials - Dining Bench



Item No.	Part No.	Spare Parts SKU#	Description	BOM QTY
3	H00313A-01	91961	Square Shoe 50X50X5mm	4
4	H00448A-01	91906	Ring M8 X OD20 X 1mm	8
5	H00136A-01	91972	M8 Lock Nut	8
7	ODF-54A-01-XX	NA	Outdoor Furniture Dining Bench Seat Cushion	1

## SS - Natural Teak

Item No.	Part No.	Spare Parts SKU#	Description	BOM QTY
1	ODF-07.001A-01-XX	NA	Outdoor Furniture Monterey Dining Bench Top Assy	1
2	ODF-07.002A-01-XX	NA	Outdoor Furniture Monterey Dining Bench SS-Teak Leg Assy	4
6	H00450A-01	91900	Socket Head Screw M6X35mm	4

## Charcoal Alum-Natural Teak

Item No.	Part No.	Spare Parts SKU#	Description	BOM QTY
1	ODF-43.001A-01-XX	NA	Outdoor Furniture Monterey Dining Bench Alum-Teak Top Assy	1
2	ODF-43.002A-01-XX	NA	Outdoor Furniture Monterey Dining Bench Alum-Teak Leg Assy	4
6	H00306A-01	91901	Self Tapping Screw 2 inch	4

# Cleaning and Care

---

## Teak Frames

- Remove debris with a soft nylon bristled brush
- Clean the surface using a sponge or damp cloth with water and mild soap.
- Soak up any excess water with a microfiber or lint-free cloth
- Allow the wood to dry naturally

**Oiling teak parts regularly can help preserve its original golden brown appearance.**

**Follow the below steps for oiling:**

1. Place a cloth or newspaper beneath the teak parts to catch spills. Put on gloves to avoid getting oil on your hand, which may cause skin irritation.
2. Clean the wooden parts with water and mild soap.
3. Dry the wooden parts after cleaning and leave them for 24–36 hours to remove all moisture before applying the oil.
4. Apply teak oil by using a paint brush. **“Star brite Premium Golden Teak Oil”** is recommended by NewAge.
5. Wait fifteen minutes, then wipe down with a cloth.
6. Reapply every 6 months.

## Powder Coated Aluminum Frames

- Clean with water and a mild liquid detergent to remove any dirt or splashes.
- A microfibre cloth or sponge should be used to wipe over the surfaces of the furniture.
- Removing surface water with a drying cloth will help avoid water spots.
- Avoid using any abrasive cleaning agents or materials, as these could mark the surface of the powder coat.
- This material is scratchable, do not use steel wool or Scotchbrite on powder coated surfaces.



# Cleaning and Care

---

## **Stainless Steel Frames**

- Wash regularly with clean fresh water, mild detergent and a micro fiber cloth.
- After washing rinse with clean water and wipe the surface dry with your cloth remembering to go with the grain on brushed stainless steel.
- Do not use abrasive cleaners or a scouring pad of any type as they will cause excessive wear and dull the finish.
- We recommend using a multi-surface cleaner or stainless steel cleaner to remove spots.

## **If you have oxidation there are a few steps to take to bring your stainless steel parts back to “as new” condition:**

- Apply clean water with a cleaning sponge and rub gently in the direction of the grain.
- If the mark won't shift, it may be necessary to use a stainless steel cleaner, in which case apply the cleaner and rub gently.
- After cleaning it is important to rinse the stainless steel with clean fresh water and buff with a soft cloth
- Remember to always rub with the grain, NEVER across as you will ruin the finish, and the stainless can lose its shine. If you must use a scourer, use a plastic scrub pad with no metal content

## **Cushions**

- Vacuum regularly, and avoid leaving in direct sunlight for long periods of time.
- It is recommended to keep the cushions dry.
- Always use a mild cleanser.
- Before cleaning the cushions, brush away the loose dirt first. This will help to avoid rubbing in any existing dirt as the fabric is cleaned. If any spots or stains are noted, be sure to remove them right away using mild cleanser.
- Do not use solvent type cleaners, do not use machine wash or dry clean.
- Never apply heat to cushion fabrics.
- For cushions exposed to direct sunlight or the everyday elements, we recommend storage of cushions when not in use.

# NEWAGE PRODUCTS INC. OUTDOOR FURNITURE MANUFACTURER WARRANTY

## **PROOF OF PURCHASE IS REQUIRED TO OBTAIN WARRANTY SERVICE.**

Please have the following information available when you call our customer service team:

- Name, address and telephone number
- Product Name / SKU Number
- A clear, detailed description of the problem
- Proof of purchase including order number

### **Register your NewAge Products purchase online for quicker customer assistance and access to exclusive benefits**

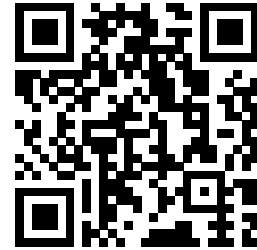
Visit [www.newageproducts.com/register/](http://www.newageproducts.com/register/)

### **Warranty Claim**

For warranty service please contact NewAge Products at **1-877-306-8930**; or [support@newageproducts.com](mailto:support@newageproducts.com)

Please review all warranty details below, prior to contacting NewAge Products for a claim.

Scan the QR code on the right to access our support page or visit [www.newageproducts.com/contact-us/](http://www.newageproducts.com/contact-us/)



Scan this QR code with the camera on your mobile device to visit the NewAge Products Support Hub

[www.newageproducts.com/support-hub/](http://www.newageproducts.com/support-hub/)

## **WHAT IS COVERED**

When this product is installed, operated and maintained according to the instructions attached to or furnished with the product, NewAge Products Inc. will replace the defective product or parts if the part fails as a result of defective materials or workmanship for the warranty duration from the purchase date of the product.

## **WHAT IS NOT COVERED**

1. Service calls to correct the installation of any NewAge products or to instruct you how to use or install them.
2. Damage resulting from products caused by accident, misuse, abuse, fire, flood, improper installation, acts of God, neglect, modification or mishandling.
3. Repairs or replacement when your product is used in other than normal, residential use, such as a commercial environment, or handled in anyway inconsistent with the installation instructions included with the product.
4. Sudden variations in temperature or exposure to unusual conditions.
5. Flattening or compression of cushions, swivel mechanisms.
6. Changes in wood color due to natural ageing and minor cracks on wood with time.
7. Variations in surface finishes due to UV exposure or natural ageing and surfaces damaged due to improper use of chemicals, and detergents.
8. Normal fading of fabrics, upholstery or woven materials.
9. Replacement parts for NewAge products outside Canada and the United States.
10. Loss due to theft.
11. Damage resulting from use of the product contrary and not in accordance to the instruction manual.
12. Any labor costs during the warranty period.

---

# NEWAGE PRODUCTS INC. OUTDOOR FURNITURE MANUFACTURER WARRANTY

---

## ONE YEAR LIMITED WARRANTY

### WOVEN FRAMES (FLAT ROPE AND WICKER)

NewAge warranty covers Flat rope and Wicker woven on the frames for 1 YEAR. If the hand-woven resin weave breaks or structurally deteriorates, or if the weave excessively fades or becomes discolored within One year from the date of purchase, we will at our option, replace, repair or refinish the product in the original color and style, if available, or in a similar color and style if the original has been discontinued. **THE WEAVE WILL NOT BE WARRANTIED IF DETERIORATION, DISCOLORATION, FADING, ETC. IS DUE TO CHEMICALS, CLEANING PRODUCTS OTHER THAN SPECIFIED, SUN LOTIONS ET AL, USE IN COMMERCIAL SETTINGS, EXTREME HEAT OR SUNLIGHT.**

### CUSHIONS AND FABRIC

NewAge warranty covers all cushions and fabrics for 1 YEAR. If your cushion or fabric becomes unserviceable due to color or strength loss from normal usage and exposure conditions, including sunlight, mildew and atmospheric chemicals within 1 year of the date of purchase, NewAge will repair or replace the fabric in the original color and pattern if available, or in a similar color and pattern if the original has been discontinued. Any failures in stitching, cushion foam, Umbrella frame/pole or other areas of workmanship will be warrantied for 1 YEAR. **THIS WARRANTY DOES NOT COVER NORMAL CARE AND CLEANING, DAMAGE FROM MISUSE OR ABUSE, IMPROPER INSTALLATION, OR COSTS ASSOCIATED WITH REPLACEMENT OF THE FABRIC, INCLUDING LABOR AND INSTALLATION. THE FABRIC WILL NOT BE WARRANTIED IF DETERIORATION, DISCOLORATION, FADING, ETC. IS DUE TO CHEMICALS, CLEANING PRODUCTS, SUN LOTIONS ET AL, USE IN COMMERCIAL SETTINGS, EXTREME HEAT OR SUNLIGHT.**

## THREE YEARS LIMITED WARRANTY

### STAINLESS STEEL AND POWDER COATED ALUMINUM FRAMES

NewAge warranty covers Aluminum and Stainless Steel frames for 3 YEARS. If your NewAge frame fails structurally during the normal usage within three years, NewAge will repair or replace the Outdoor furniture frame at manufacturer's discretion (with same or similar product if discontinued). From time to time there may be minor variations in color and texture of finishes. **THIS WARRANTY SPECIFICALLY DOES NOT COVER SUCH MINOR VARIATIONS IN COLOR AND TEXTURE OF FINISHES.**

### TEAK FRAMES

NewAge warranty covers teak furniture frames for 3 YEARS. If your NewAge frame fails structurally during the normal usage within 3 years, NewAge will repair or replace the Outdoor furniture frame at manufacturer's discretion (with same or similar product if discontinued). This warranty is valid only if the teak is maintained properly according to the instructions provided in the install guide. Natural variations occurring in wood shall not be considered. From time to time there may be variations in color and texture of finishes. **WARRANTY SPECIFICALLY DOES NOT COVER SUCH MINOR VARIATIONS IN COLOR AND TEXTURE OF FINISHES. COMPONENTS SUCH AS CHAIR FEET ARE SUBJECT TO WEAR AND TEAR AND ARE NOT CONSIDERED PART OF THE FRAME.**

### DISCLAIMER OF IMPLIED WARRANTIES

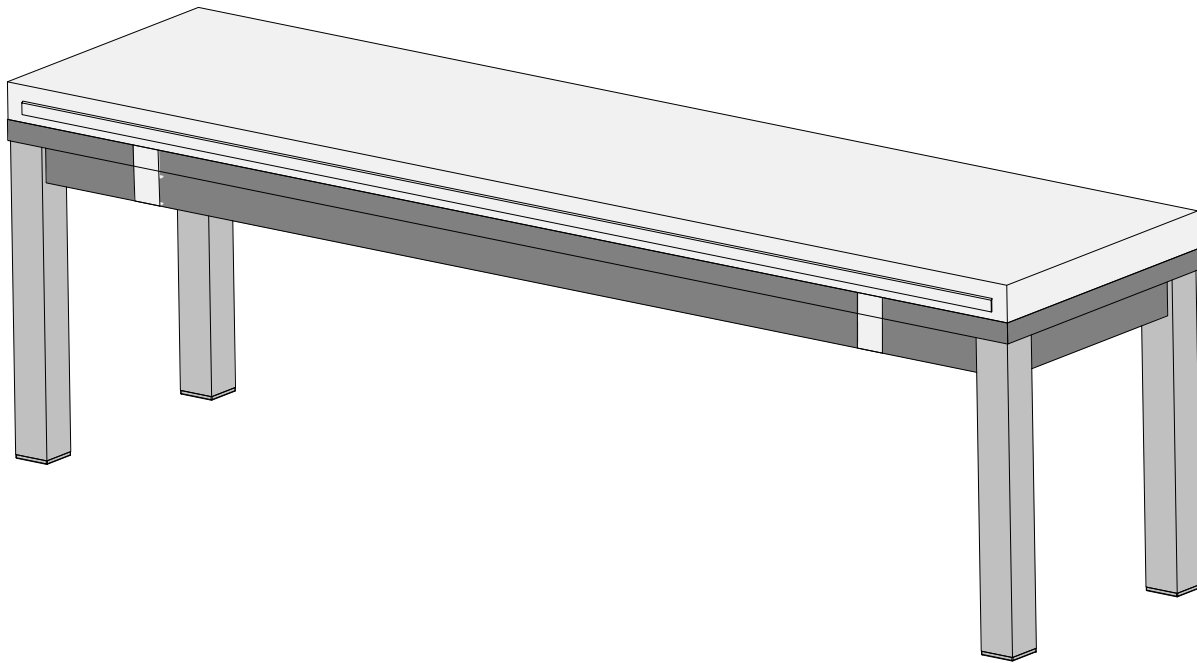
IMPLIED WARRANTIES, INCLUDING TO THE EXTENT APPLICABLE WARRANTIES OF MERCHANTABILITY OR FITNESS FOR A PARTICULAR PURPOSE, ARE EXCLUDED TO THE EXTENT LEGALLY PERMISSIBLE. ANY IMPLIED WARRANTIES THAT MAY BE IMPOSED BY LAW ARE LIMITED TO ONE YEAR, OR THE SHORTEST PERIOD ALLOWED BY LAW. THIS WARRANTY IS LIMITED TO THE ORIGINAL BUYER. Some states and provinces do not allow limitations on the duration of implied warranties of merchantability or fitness, so this limitation may not apply to you. This warranty gives you specific legal rights, and you also may have other rights that vary from state to state or province to province.

### LIMITATION OF REMEDIES; EXCLUSION OF INCIDENTAL AND CONSEQUENTIAL DAMAGES

YOUR SOLE AND EXCLUSIVE REMEDY UNDER THIS LIMITED WARRANTY SHALL BE PRODUCT REPAIR OR REPLACEMENT AT OUR DISCRETION AS PROVIDED HEREIN. NEWAGE SHALL NOT BE LIABLE FOR INCIDENTAL OR CONSEQUENTIAL DAMAGES. Some states and provinces do not allow the exclusion or limitation of incidental or consequential damages, so these limitations and exclusions may not apply to you. This warranty gives you specific legal rights, and you also may have other rights that vary from state to state or province to province.



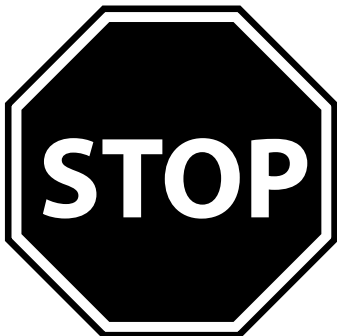
# MOBILIER D'EXTÉRIEUR



## Banc de table Monterey

acier inoxydable - Teck naturel / aluminium gris - Teck naturel

### GUIDE D'INSTALLATION



**ATTENTION:** Votre Banc de table est-elle endommagée?

Vous avez besoin d'assistance ou de pièces de rechange?  
Pour un service plus rapide, contactez NewAge Products au  
1 877-306-8930 ou écrivez à [support@newageproducts.com](mailto:support@newageproducts.com).  
Ne retournez pas ce produit au détaillant

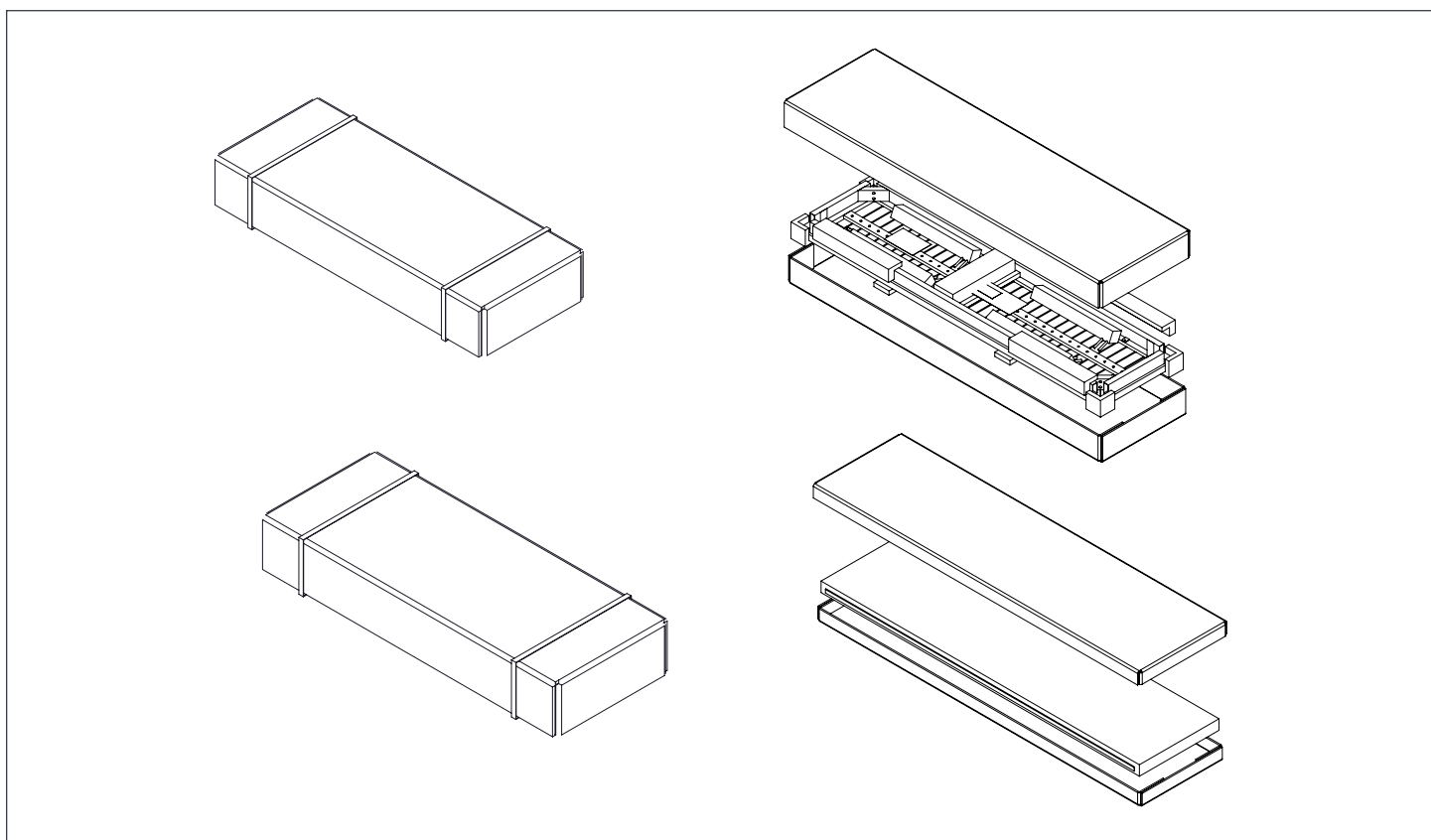
IM-ODF.07A-01-Rev1.1

# Index

<b>Déballage</b>	2
<b>Inspection du produit</b>	3
<b>Spécifications du produit</b>	3
<b>Outils nécessaires</b>	4
<b>Matériel fourni</b>	4
<b>Assemblage du banc</b>	5
<b>Nomenclature - Banc de table</b>	7
<b>Nettoyage et entretien</b>	8
<b>NEWAGE PRODUCTS INC. GARANTIE DU FABRICANT DE MOBILIER D'EXTÉRIEUR</b>	10

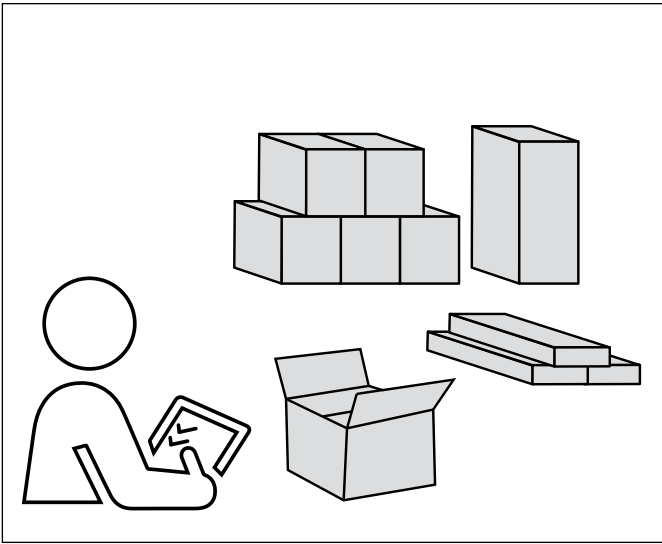
## Déballage

- Commencer par placer l'emballage sur une surface plane doté d'un revêtement;
- Retirer tout le carton, les matériaux d'emballage en mousse et les sacs en nylon;
- Mettre au rebut/recycler tous les matériaux d'emballage;



# Inspection du produit

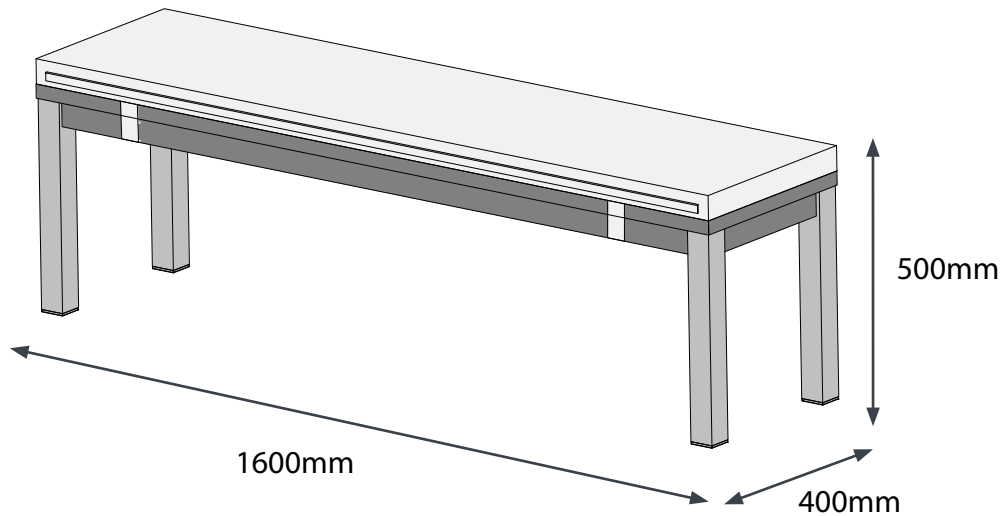
---



- Assurez-vous d'avoir reçu toutes les pièces conformément à la commande que vous avez passée.
- S'il manque des pièces, contactez NewAge Products au 1 877-306-8930.
- Avant de commencer l'installation, inspectez les produits pour y déceler tout dommage.
- Lisez attentivement les instructions d'installation avant de commencer l'installation.

# Spécifications du produit

---



**W 1600mm x D 400mm x H 500mm**  
**Acier inoxydable - Teck naturel - SKU# 91031**  
**Aluminium gris - Teck naturel - SKU# 91036**

# Outils nécessaires

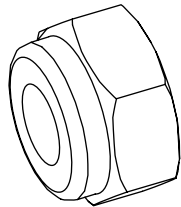
---



Clé à douille

# Matériel fourni

---



Contre-écrous M8

**X8**



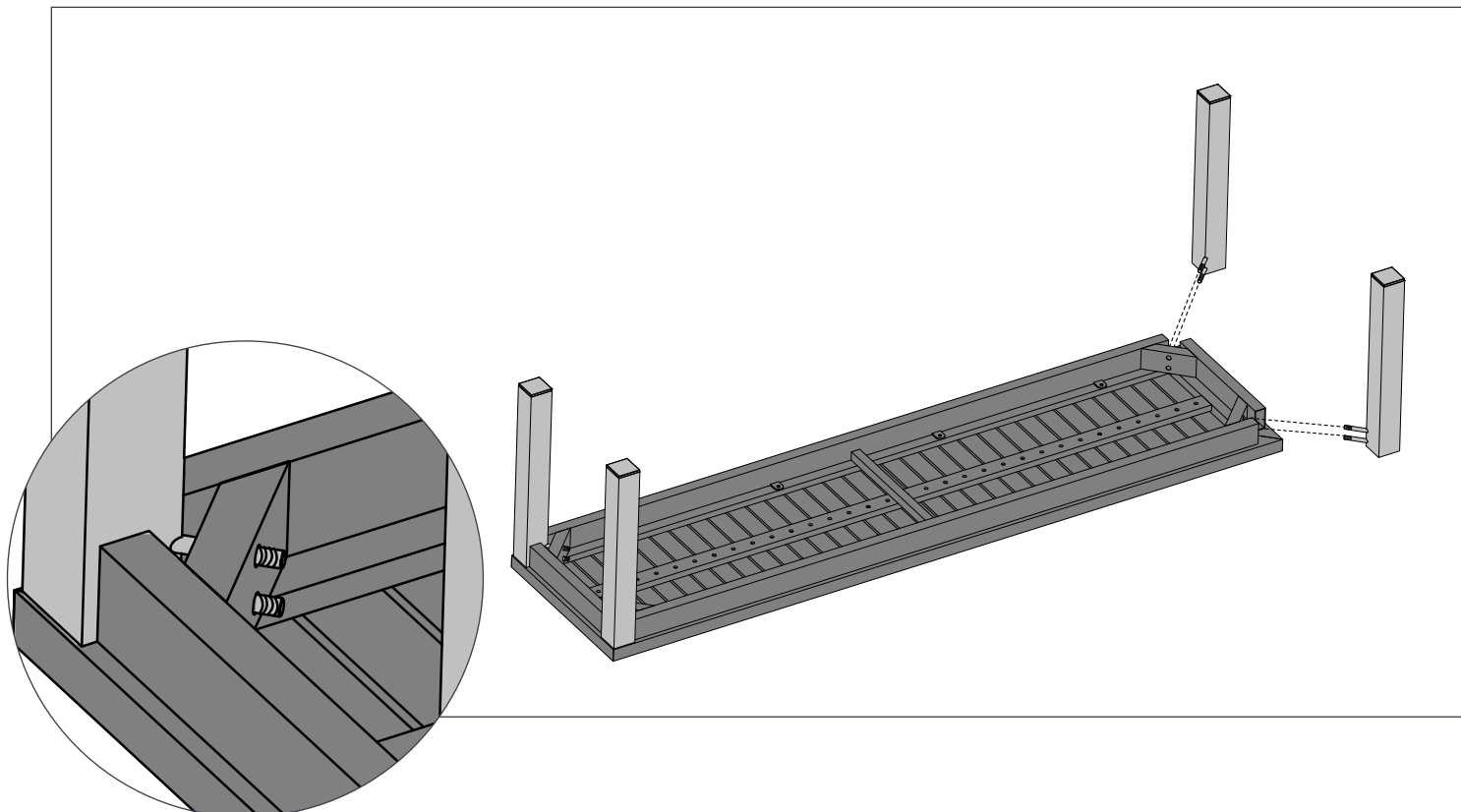
Rondelle de 16 mm

**X4**

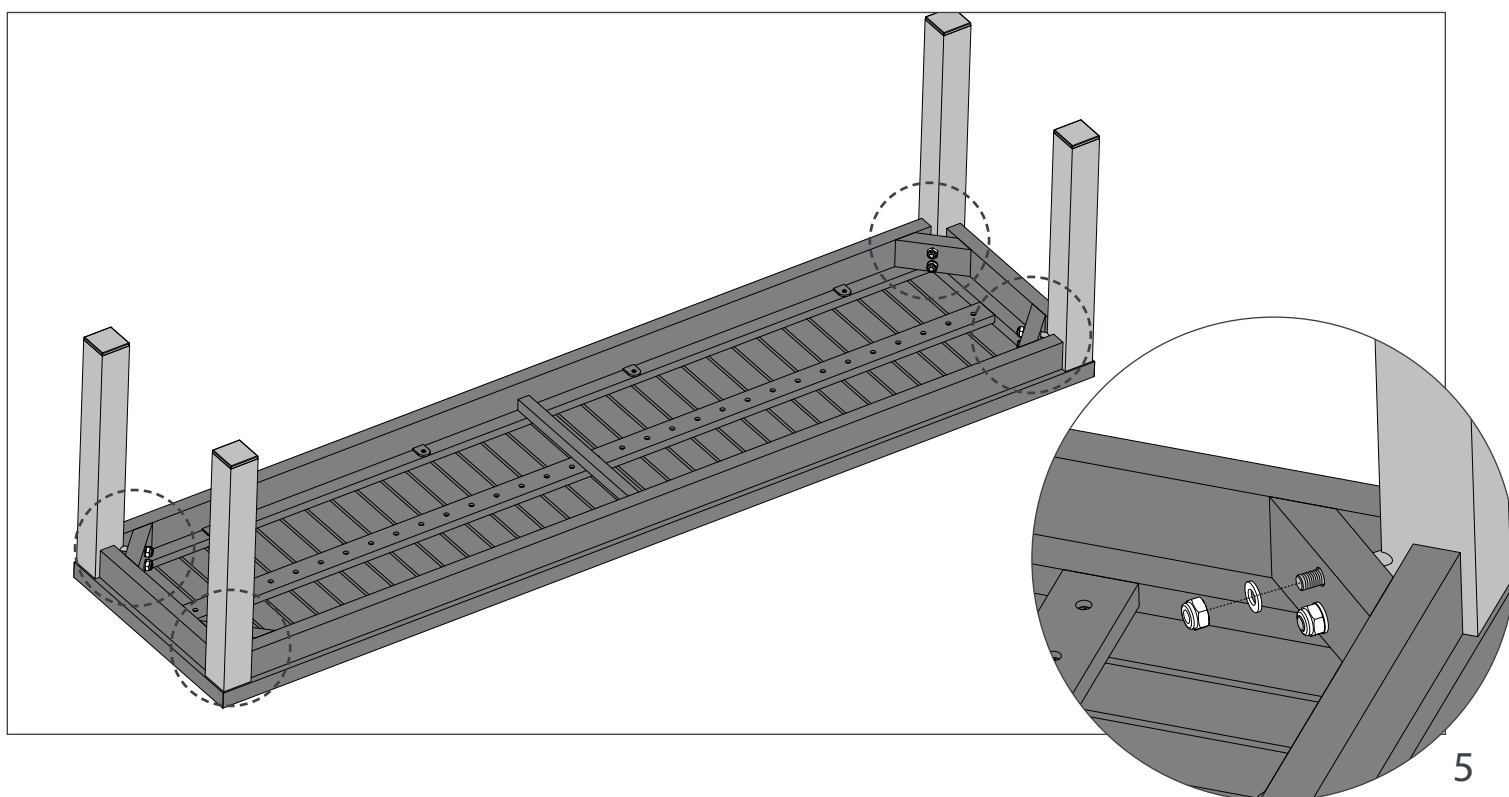


# Assemblage du banc

- 1** Retournez l'ensemble supérieur en teck et placez-le sur une surface protectrice. Fixez les pattes en fixant les tire-fonds des pattes à travers les trous aux coins de l'assemblage supérieur.

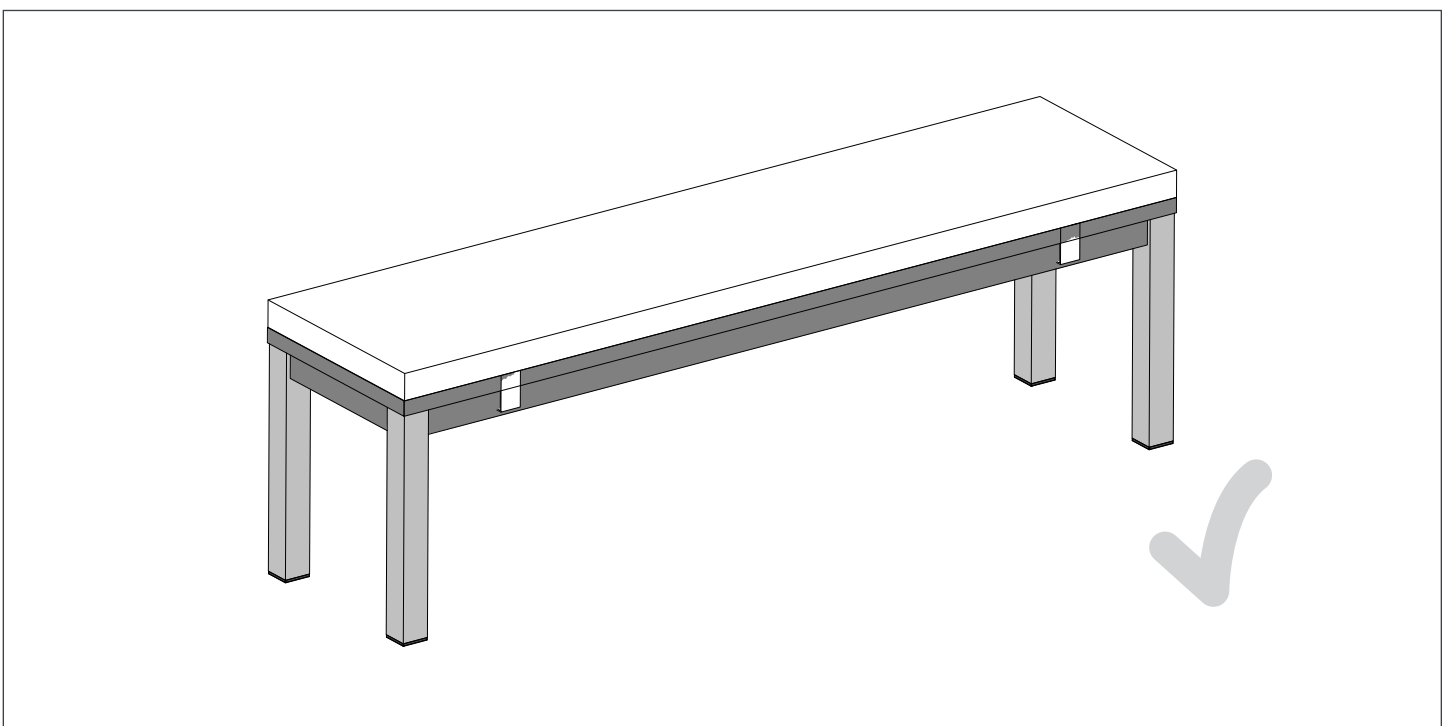
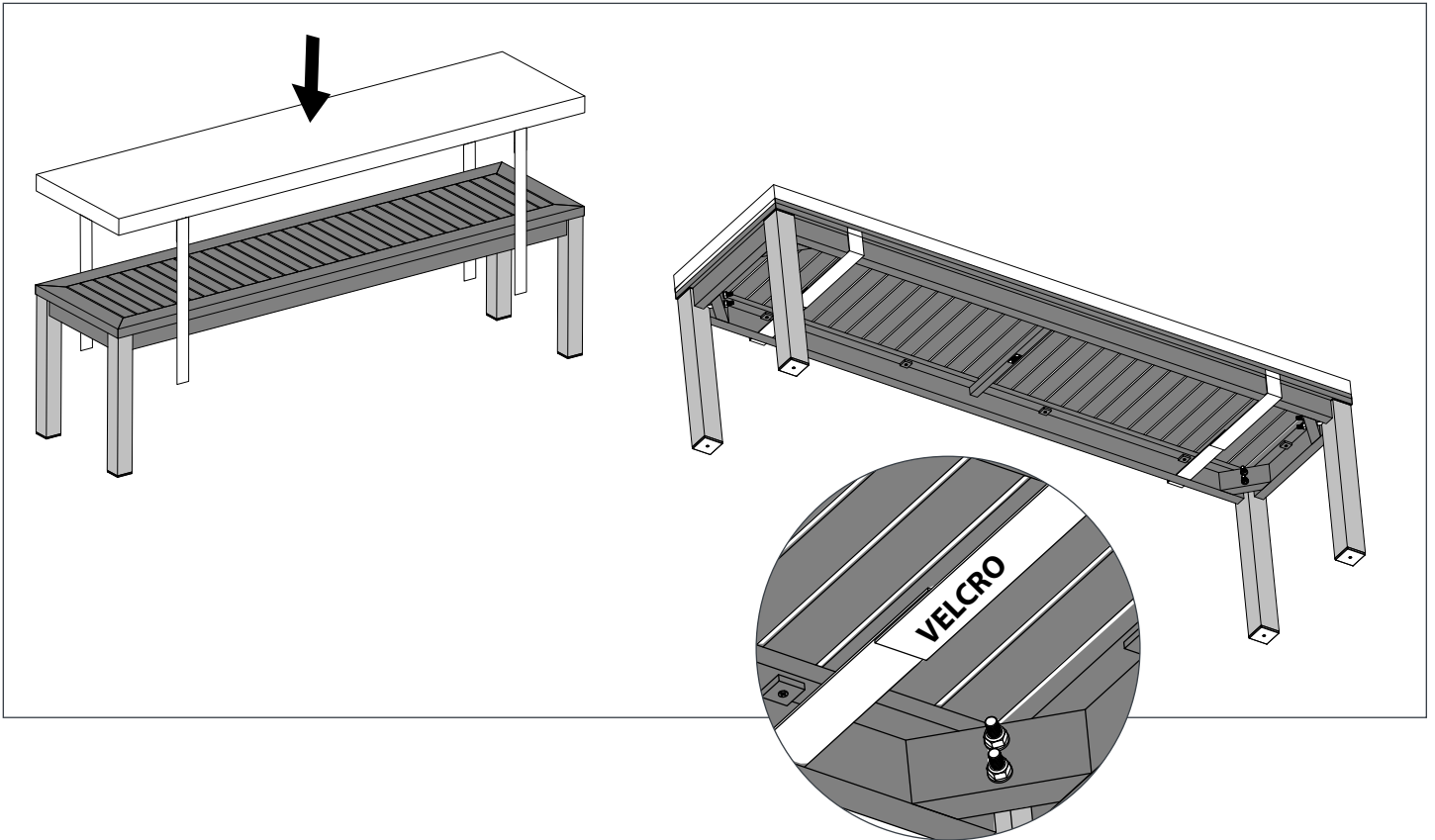


- 2** Fixez les pieds en attachant une rondelle de 16 mm et un contre-écrou M8 à chaque coin à tous les tire-fonds.

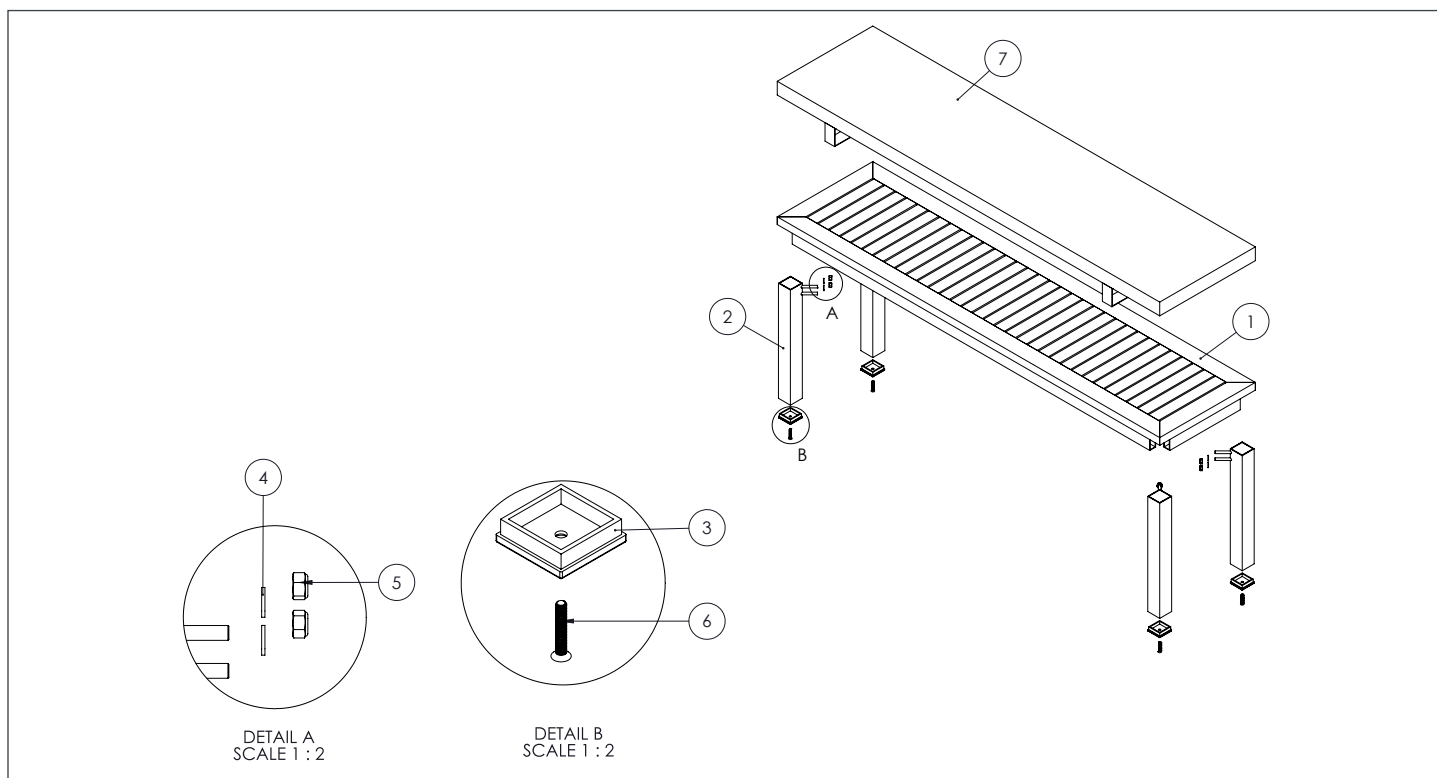


# Assemblage du banc

- 3** Placez le coussin sur le dessus de l'assemblage du banc et fixez-le à l'aide de sangles par le bas.



# Nomenclature - Banc de table



N° d'article	N ° de pièce	Pièces de rechange SKU#	La description	Nomenclature Quantité
3	H00313A-01	91961	Square Shoe 50X50X5mm	4
4	H00448A-01	NA	Ring M8 X OD20 X 1mm	8
5	H00136A-01	91972	M8 Lock Nut	8
7	ODF-54A-01-XX	91906	Outdoor Furniture Dining Bench Seat Cushion	1

## Acier inoxydable - Teck naturel

N° d'article	N ° de pièce	Pièces de rechange SKU#	La description	Nomenclature Quantité
1	ODF-07.001A-01-XX	NA	Outdoor Furniture Monterey Dining Bench Top Assy	1
2	ODF-07.002A-01-XX	NA	Outdoor Furniture Monterey Dining Bench SS-Teak Leg Assy	4
6	H00450A-01	91900	Socket Head Screw M6X35mm	4

## Aluminium gris - Teck naturel

N° d'article	N ° de pièce	Pièces de rechange SKU#	La description	Nomenclature Quantité
1	ODF-43.001A-01-XX	NA	Outdoor Furniture Monterey Dining Bench Alum-Teak Top Assy	1
2	ODF-43.002A-01-XX	NA	Outdoor Furniture Monterey Dining Bench Alum-Teak Leg Assy	4
6	H00306A-01	91901	Self Tapping Screw 2 inch	4

# Nettoyage et entretien

---

## Pièces en teck

- Retirez les débris avec une brosse à poils de nylon
- Nettoyez la surface à l'aide d'une éponge ou d'un chiffon humide avec de l'eau et un savon doux.
- Faites tremper tout excès d'eau avec un chiffon en microfibre ou non pelucheux.
- Laissez le bois sécher naturellement

**Huiler régulièrement les pièces en teck peut aider à préserver son aspect brun doré d'origine. Suivez les étapes ci-dessous pour huiler:**

1. Placez un chiffon ou un journal sous les parties en teck pour attraper les éclaboussures. Mettez des gants pour éviter de mettre de l'huile sur votre main, ce qui peut provoquer une irritation cutanée.
2. Nettoyez les parties en bois avec de l'eau et un savon doux.
3. Séchez les pièces en bois après le nettoyage et laissez-les pendant 24 à 36 heures pour éliminer toute trace d'humidité avant d'appliquer l'huile.
4. Appliquez de l'huile de teck à l'aide d'un pinceau. «**Star brite Premium Golden Teak Oil**» est recommandée par NewAge.
5. Attendez quinze minutes, puis essuyez avec un chiffon.
6. Réappliquez tous les 6 mois.

## Pièces en aluminium enduites de poudre

- Nettoyez avec de l'eau et un détergent liquide doux pour éliminer toute saleté ou déversement.
- A microfiber cloth or sponge should be used to wipe the surfaces of furniture.
- L'élimination de l'eau de surface avec un chiffon de séchage aidera à éviter les taches d'eau.
- Évitez d'utiliser des agents de nettoyage abrasifs ou des produits de nettoyage, car ils pourraient marquer la surface du revêtement en poudre.
- Ce matériau n'est pas résistant aux rayures, n'utilisez pas de laine d'acier ou de Scotch Brite sur les surfaces revêtues de poudre.

# Nettoyage et entretien

---

## Pièces en acier inoxydable

- Lavez régulièrement avec de l'eau propre, un détergent doux et un chiffon en microfibres.
- Après le lavage, rincez à l'eau claire et essuyez la surface avec votre chiffon en vous rappelant de suivre le grain de l'acier inoxydable brossé.
- N'utilisez pas de nettoyeurs abrasifs ou de tampon à récurer de quelque type que ce soit car ils provoqueraient une usure excessive et terniraient le fini.
- Nous vous recommandons d'utiliser un nettoyeur multi-surfaces ou un nettoyeur pour acier inoxydable pour éliminer les taches.

### **Si vous avez une oxydation, il y a quelques étapes à suivre pour ramener vos pièces en acier inoxydable à l'état «comme neuf»:**

- Appliquez de l'eau claire avec une éponge de nettoyage et frottez doucement dans le sens du grain.
- Si la marque d'oxydation ne change pas, il peut être nécessaire d'utiliser un nettoyeur pour acier inoxydable, auquel cas appliquez le nettoyeur et frottez doucement.
- Après le nettoyage, il est important de rincer l'acier inoxydable à l'eau claire et de le polir avec un chiffon doux
- N'oubliez pas de toujours frotter dans le sens du grain, JAMAIS à travers car vous ruinerez la finition et l'inox peut perdre son éclat. Si vous devez utiliser un tampon à récurer, utilisez un tampon à récurer en plastique sans contenu métallique

## coussins

- Passez l'aspirateur régulièrement et évitez de l'exposer à la lumière directe du soleil pendant de longues périodes.
- Il est recommandé de garder les coussins au sec.
- Utilisez toujours un nettoyeur doux.
- Avant de nettoyer les coussins, brossez d'abord la saleté non adhérente. Cela aidera à éviter de frotter la saleté existante pendant le nettoyage du tissu. Si des taches sont notées, assurez-vous de les éliminer immédiatement à l'aide d'un nettoyeur doux.
- N'utilisez pas de nettoyeurs de type solvant, n'utilisez pas de lavage en machine ou de nettoyage à sec.
- N'appliquez jamais de chaleur sur les tissus des coussins.
- Pour les coussins exposés à la lumière directe du soleil ou aux éléments du quotidien, nous recommandons de ranger les coussins lorsqu'ils ne sont pas utilisés.

# NEWAGE PRODUCTS INC. GARANTIE DU FABRICANT DE MOBILIER D'EXTÉRIEUR

## UNE PREUVE D'ACHAT EST REQUISE POUR OBTENIR UN SERVICE DE GARANTIE.

Veuillez disposer des informations suivantes lorsque vous appelez notre service clientèle:

- Nom, adresse et numéro de téléphone
- Nom du produit / numéro de SK
- Une description claire et détaillée d problème
- Preuve d'achat avec numéro de command

### Enregistrez votre achat de produits NewAge en ligne pour l'assistance aux clients et l'accès à des avantages exclusifs

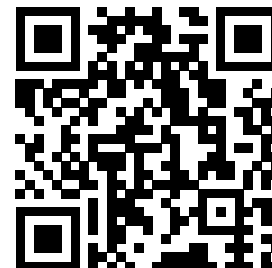
Visitez [www.newageproducts.com/register/](http://www.newageproducts.com/register/)

### Réclamations de garantie

Pour le service de garantie, veuillez contacter NewAge Products au 1-877-306-8930; ou [support@newageproducts.com](mailto:support@newageproducts.com)

Veuillez consulter tous les détails de la garantie ci-dessous, avant de contacter NewAge Products pour une réclamation.

Scannez le code QR à droite pour accéder à notre page d'assistance ou visitez [www.newageproducts.com/contact-us/](http://www.newageproducts.com/contact-us/)



Scannez ce code QR avec l'appareil photo sur votre appareil mobile pour visiter le Centre d'assistance des produits NewAge [www.newageproducts.com/support-hub/](http://www.newageproducts.com/support-hub/)

## CE QUI EST COUVERT

Lorsque ce produit est installé, utilisé et entretenu conformément aux instructions jointes ou fournies avec le produit, NewAge Products Inc. remplacera le produit ou les pièces défectueuses si la pièce tombe en panne en raison de matériaux défectueux ou de fabrication pendant la durée de la garantie à partir de la date d'achat du produit.

## CE QUI N'EST PAS COUVERT

1. Les appels de service pour corriger l'installation de tout produit NewAge ou pour vous montrer comment les utiliser ou les installer.
2. Les dommages résultant de produits causés par un accident, une mauvaise utilisation, une utilisation abusive, un incendie, une inondation, une installation incorrecte, un cas de force majeure, une négligence, une modification ou une mauvaise manipulation.
3. Les réparations ou le remplacement lorsque votre produit est utilisé dans un autre cadre que l'usage résidentiel normal, tel qu'un environnement commercial, ou manipulé d'une manière incompatible avec les instructions d'installation fournies avec le produit.
4. Variations soudaines de température ou exposition à des conditions inhabituelles.
5. Aplatissement ou compression des coussins, mécanismes pivotants.
6. Changements de couleur du bois dus au vieillissement naturel et à de légères fissures sur le bois avec le temps.
7. Variations dans les finitions de surface dues à l'exposition aux UV ou au vieillissement naturel et surfaces endommagées en raison d'une mauvaise utilisation des produits chimiques et des détergents.
8. Décoloration normale des tissus, des tissus d'ameublement ou des matériaux tissés.
9. Les pièces de rechange pour des produits NewAge à l'extérieur du Canada et des États-Unis.
10. Une perte en raison d'un vol.
11. Les dommages résultant d'une utilisation contraire du produit et non conforme au manuel d'instructions.
12. Tous les frais de main-d'œuvre pendant la période de garantie.

# NEWAGE PRODUCTS INC. GARANTIE DU FABRICANT DE MOBILIER D'EXTÉRIEUR

## GARANTIE LIMITÉE D'UN AN

### CADRES TISSÉS (CORDE PLAT ET OSIER)

La garantie NewAge couvre la corde plate et l'osier tissés sur les cadres pendant 1 AN. Si le tissage en résine tissée à la main se brise ou se détériore structurellement, ou si le tissage se décolore excessivement ou se décolore dans un délai d'un an à compter de la date d'achat, nous remplacerons, réparerons ou retoucherons le produit dans la couleur et le style d'origine, à notre choix, si disponible, ou dans une couleur et un style similaires si l'original a été abandonné. **LA CORDE OU L'OSIER NE SERONT PAS GARANTIS EN CAS DE DÉTÉRIORATION, DÉCOLORATION, DÉCOLORATION, ETC. EST DÛ À DES PRODUITS CHIMIQUES, À DES PRODUITS DE NETTOYAGE AUTRES QUE SPÉCIFIÉS, AUX LOTIONS SOLAIRES ET AL, À L'UTILISATION DANS DES MILIEUX COMMERCIAUX, À LA CHALEUR EXTRÊME OU À LA LUMIÈRE DU SOLEIL.**

### COUSSINS ET EN TISSU

La garantie NewAge couvre tous les coussins et tissus pendant 1 ANS. Si votre coussin ou tissu devient inutilisable en raison d'une perte de couleur ou de résistance due à une utilisation normale et à des conditions d'exposition, y compris la lumière du soleil, la moisissure et les produits chimiques atmosphériques dans les 1 ans suivant la date d'achat, NewAge réparera ou remplacera le tissu dans la couleur d'origine et motif si disponible, ou dans une couleur et un motif similaires si l'original a été abandonné. Tout défaut de couture, de mousse de coussin, de cadre / poteau de parapluie ou d'autres domaines de fabrication sera garanti pendant 1 AN. **CETTE GARANTIE NE COUVRE PAS LES SOINS ET LE NETTOYAGE NORMAUX, LES DOMMAGES PROVENANT D'UNE MAUVAISE UTILISATION OU D'ABUS, UNE INSTALLATION INCORRECTE OU LES COÛTS ASSOCIÉS AU REMPLACEMENT DU TISSU, Y COMPRIS LA MAIN D'ŒUVRE ET L'INSTALLATION. LE TISSU NE SERA PAS GARANTI EN CAS DE DÉTÉRIORATION, DÉCOLORATION, DÉCOLORATION, ETC. EST DÛ À DES PRODUITS CHIMIQUES, DES PRODUITS DE NETTOYAGE, DES LOTIONS SOLAIRES ET AL, À UTILISER DANS DES RÉGLAGES COMMERCIAUX, À LA CHALEUR EXTRÊME OU À LA LUMIÈRE SOLAIRE**

## GARANTIE LIMITÉE DE TROIS ANS

### CADRES EN ACIER INOXYDABLE ET EN ALUMINIUM ENDUIT DE POUDRE

La garantie NewAge couvre les cadres en aluminium et en acier inoxydable pendant 3 ANS. Si votre cadre NewAge échoue structurellement pendant l'utilisation normale dans les trois ans, NewAge réparera ou remplacera le cadre de mobilier d'extérieur à la discrétion du fabricant (avec un produit identique ou similaire en cas d'arrêt). De temps en temps, il peut y avoir des variations mineures dans la couleur et la texture des finitions. **CETTE GARANTIE NE COUVRE PAS SPÉCIFIQUEMENT DE TELLES VARIATIONS MINEURES DE COULEUR ET DE TEXTURE DES FINITIONS.**

### CADRES D'ÉQUIPE

La garantie NewAge couvre les cadres de meubles en teck pendant 3 ANS. Si la structure de votre cadre NewAge tombe en panne pendant l'utilisation normale dans les 3 ans, NewAge réparera ou remplacera le cadre de mobilier d'extérieur à la discrétion du fabricant (avec un produit identique ou similaire en cas d'arrêt). Cette garantie n'est valable que si le teck est correctement entretenu selon les instructions fournies dans le guide d'installation. Les variations naturelles survenant dans le bois ne seront pas prises en compte. De temps en temps, il peut y avoir des variations de couleur et de texture des finitions. **LA GARANTIE NE COUVRE PAS SPÉCIALEMENT DE TELLES VARIATIONS MINEURES DE COULEUR ET DE TEXTURE DES FINITIONS. LES COMPOSANTS TELS QUE LES PIEDS DE FAUTEUIL SONT SOUMIS À L'USURE ET À LA DÉCHIRURE ET NE SONT PAS CONSIDÉRÉS COMME PARTIE DU CADRE.**

### EXCLUSION DE GARANTIES IMPLICITES

LES GARANTIES IMPLICITES, Y COMPRIS, DANS LA MESURE OÙ CELA EST APPLICABLE, LES GARANTIES DE QUALITÉ MARCHANDE OU DE CONFORMITÉ À UN USAGE PARTICULIER, SONT EXCLUES DANS LA LIMITE OÙ LA LOI LE PERMET. TOUTE GARANTIE IMPLICITE QUI POURRAIT ÊTRE IMPOSÉE PAR LA LOI DOIT SE LIMITER À UN AN, OU À LA PÉRIODE LA PLUS COURTE PERMISE PAR LA LOI. CETTE GARANTIE EST LIMITÉE À L'ACHETEUR ORIGINAL. Certains états et provinces n'autorisent pas les limitations de durée des garanties implicites de qualité marchande ou d'adéquation, de sorte que cette limitation peut ne pas s'appliquer à vous. Cette garantie vous donne des droits légaux spécifiques, et vous pouvez également avoir d'autres droits qui varient d'un état à l'autre ou d'une province à l'autre.

### LIMITATION DES RECOURS; EXCLUSION DES DOMMAGES ACCESSOIRES ET CONSÉCUTIFS

VOTRE SEUL ET EXCLUSIF RECOURS EN VERTU DE CETTE GARANTIE LIMITÉE SERA LA RÉPARATION OU LE REMPLACEMENT DU PRODUIT À NOTRE DISCRÉTION COMME PRÉVU ICI. NEWAGE NE SERA PAS RESPONSABLE DES DOMMAGES ACCESSOIRES OU INDIRECTS. Certains états et provinces n'autorisent pas l'exclusion ou la limitation des dommages accessoires ou consécutifs, de sorte que ces limitations et exclusions peuvent ne pas s'appliquer à vous. Cette garantie vous donne des droits légaux spécifiques, et vous pouvez également avoir d'autres droits qui varient d'un état à l'autre ou d'une province à l'autre.