

Step 48: Attach Nest Ladder Part 1



A: Place Nest Ladder (built in Step 3) in the second level of the Clubhouse so that the top of the ladder is leaning flat against the (041) Nest Mid Joist. (Fig. 48.4)

B: Place 1 (121) Floorboard so that it's flush to (041) Nest Mid Joist. Floor Board is needed to gauge height for Nest Ladder, do not attach until Step 49. (Fig 48.3)

C: Check to ensure that the Nest Ladder is flush with the top of the (121) Floor Board. Pre-drill using a 1/8" drill bit and attach Nest Ladder using 1 (LS2) 1/4 x 2-1/2" Lag Screw (with flat washer) per side. (Fig. 48.1 & 48.2)

Fig. 48.1

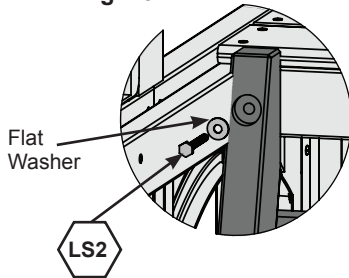


Fig. 48.2

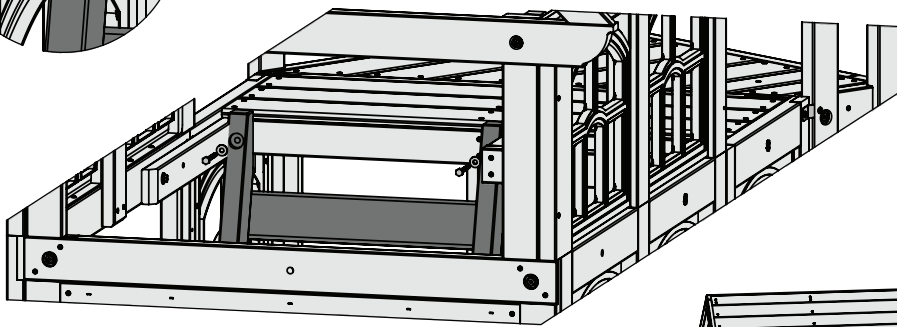
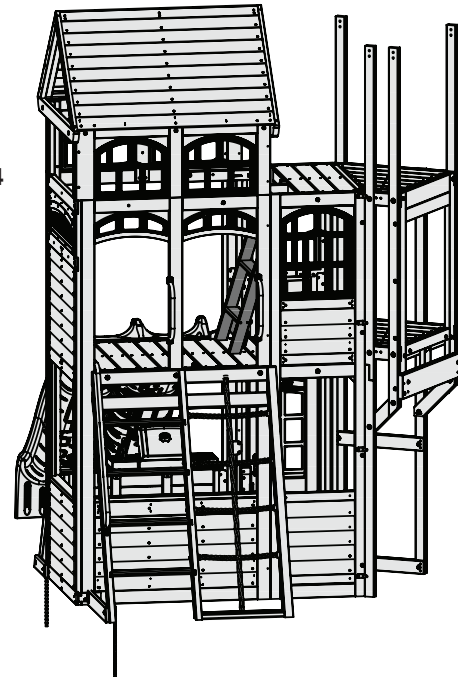
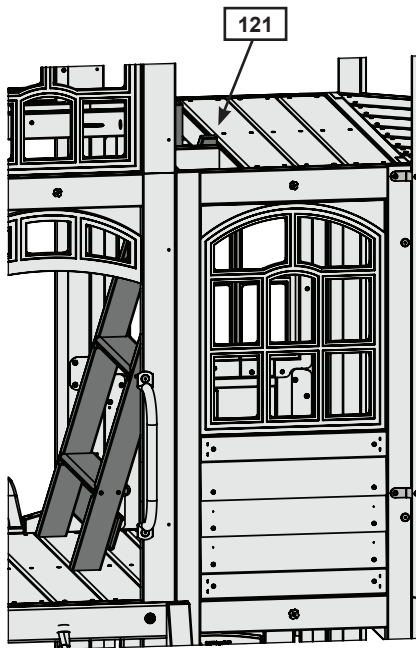



Fig. 48.4

Fig. 48.3



Hardware

2 x  Lag Screw 1/4 x 2-1/2" (with 1/4" flat washer)

Step 48: Attach Nest Ladder Part 2



D: Measure to ensure that there is a minimum of 1-1/8" between (082) Front Wall Panel and (031) Nest Left Access. Center 1 Corner Bracket on the bottom inside edge of (032) Nest Right Access making sure that the straight edge of the bracket is on the floor board. Attach using 3 (S0) #8 x 7/8" Truss Screws. (Fig. 48.5 & 48.6)

Fig. 48.5

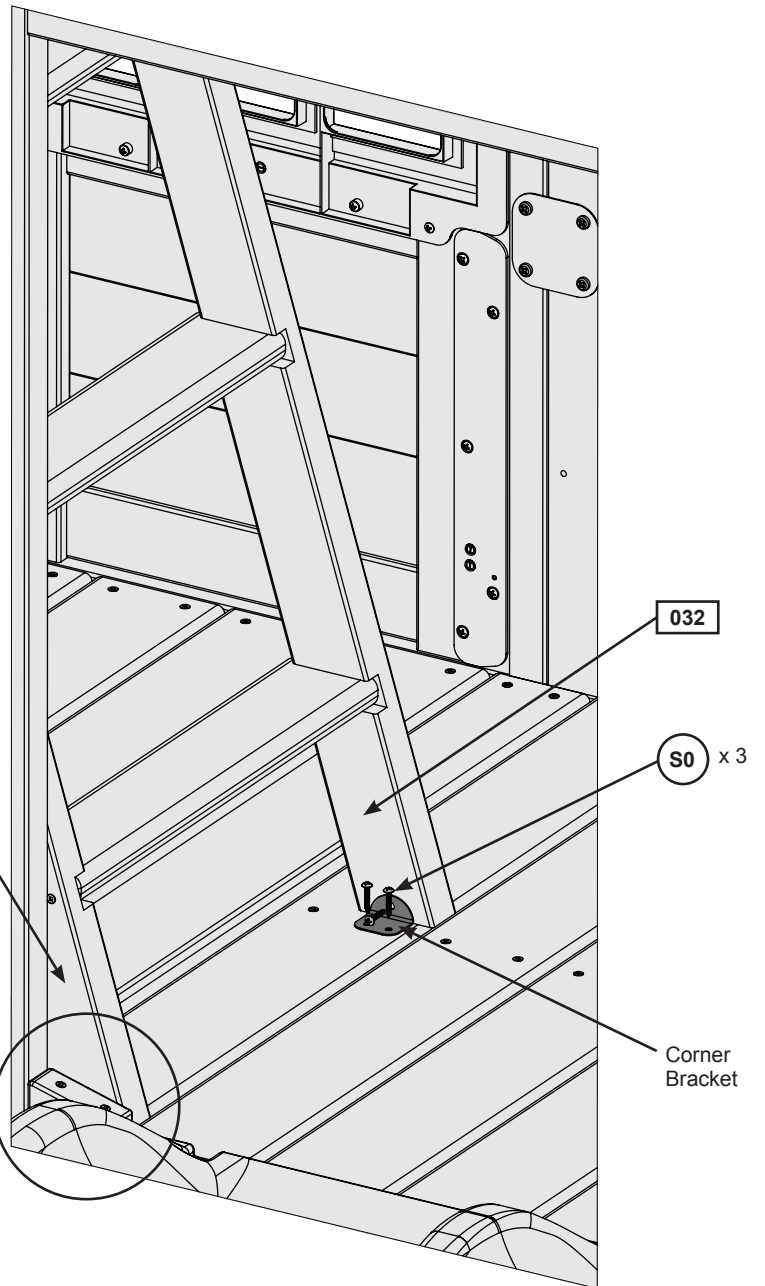
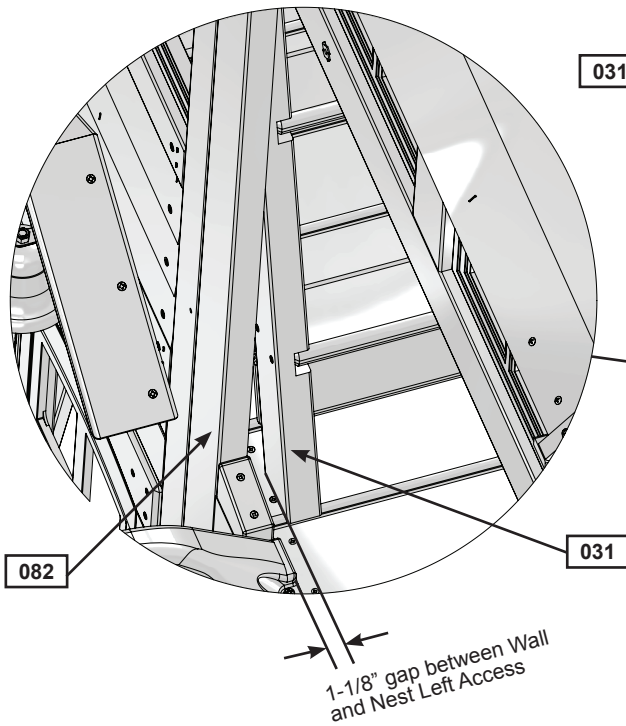


Fig. 48.6



Hardware

3 x (S0) #8 x 7/8" Truss Screw

Other Parts

1 x Corner Bracket

Step 49: Install Nest Long Floor Boards

A: Place 3 (121) Floor Boards between the Nest Ladder and the (071) Nest End Panel and attach using 6 (S20) #8 x 1-3/8" Wood Screws per board. (Fig. 49.1 & 49.2)

Fig. 49.1

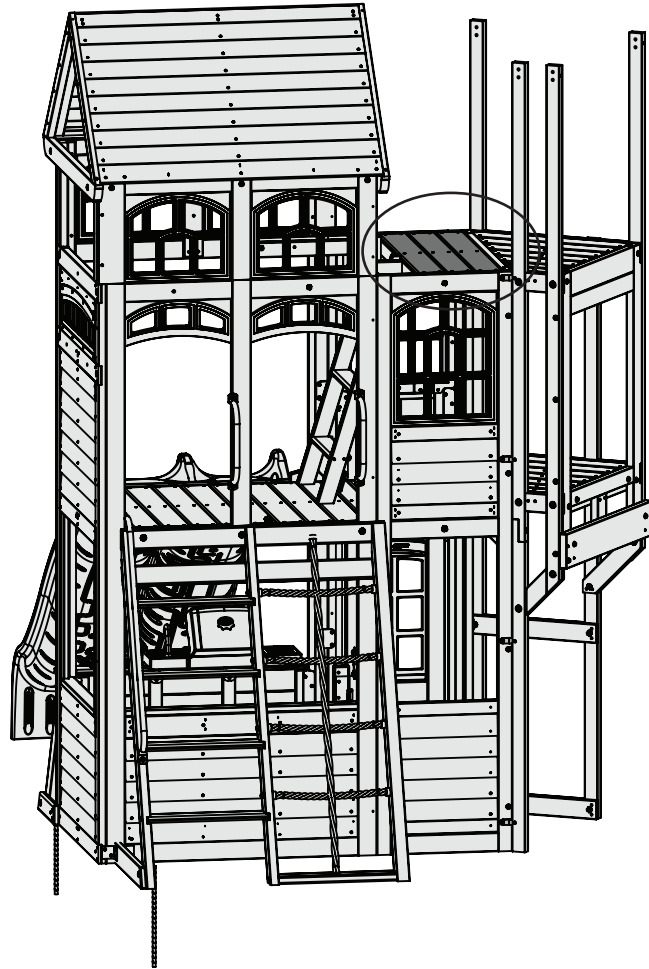
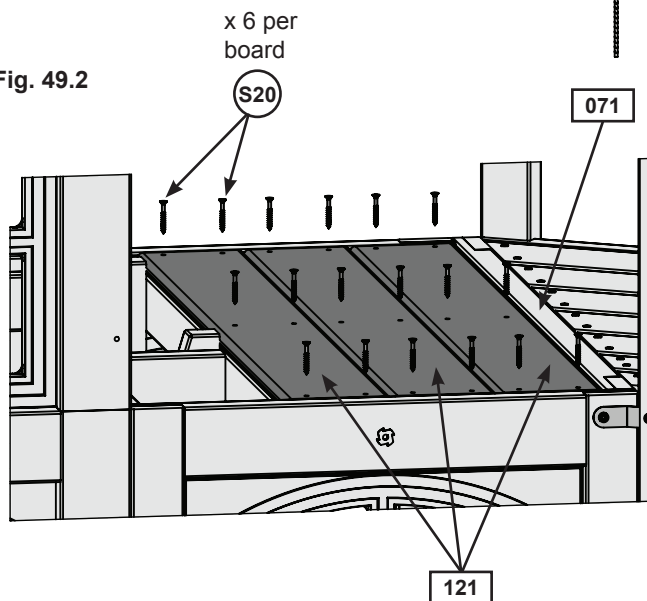


Fig. 49.2



Wood Parts

3 x 121 Floor Board 5/8 x 4-1/2 x 35-5/8"

Hardware

18 x S20 #8 x 1-3/8" Wood Screw

Step 50: Attach Roof Gable Support



A: Place (501) Roof Gable Support across the underside of the (251) Roof Supports as shown in fig. 50.1. Check to ensure that the (501) Roof Gable Support is level and attach from underneath using 1 (S3) #8 x 2-1/2" Wood Screw per side.(Fig. 50.1 & 50.2)

Fig. 50.1

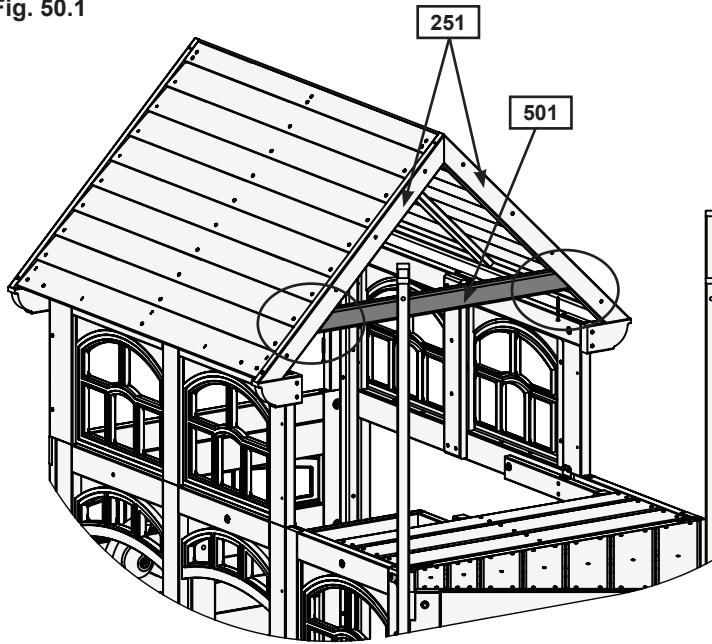
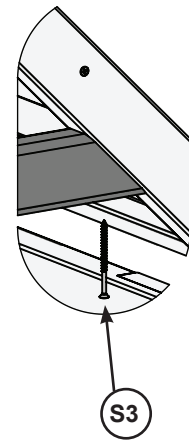



Fig. 50.2



Wood Parts

1 x  Roof Gable Support 1-1/4 x 2-1/4 x 31-7/8"

Hardware

2 x  #8 x 2-1/2" Pan Screw

Step 51: Install Nest Walls

A: On each side of the Upper Nest place 1 (511) Wall Post so that the notch fits underneath the Swing Top Smalls. Making sure that they are flush with the edges, attach using 2 (S3) #8 x 2-1/2" Wood Screws per side. (Fig. 51.1 & 51.2)

Fig. 51.1

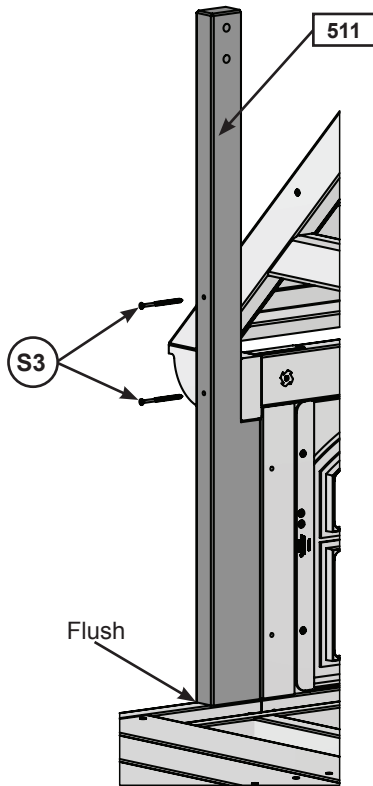
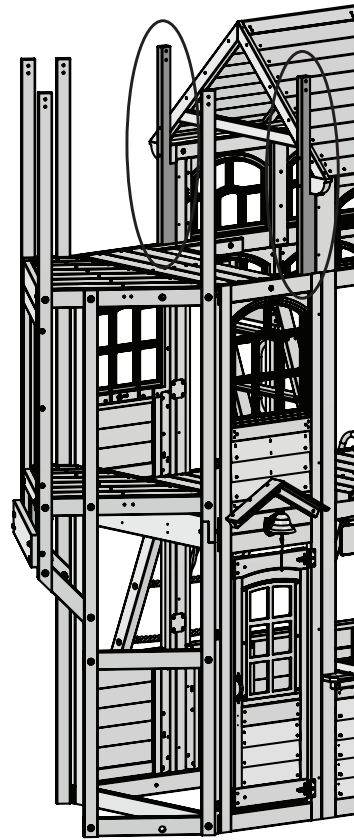




Fig. 51.2



Wood Parts

2 x  Wall Post 1-1/4 x 2-3/8 x 13-11/16"

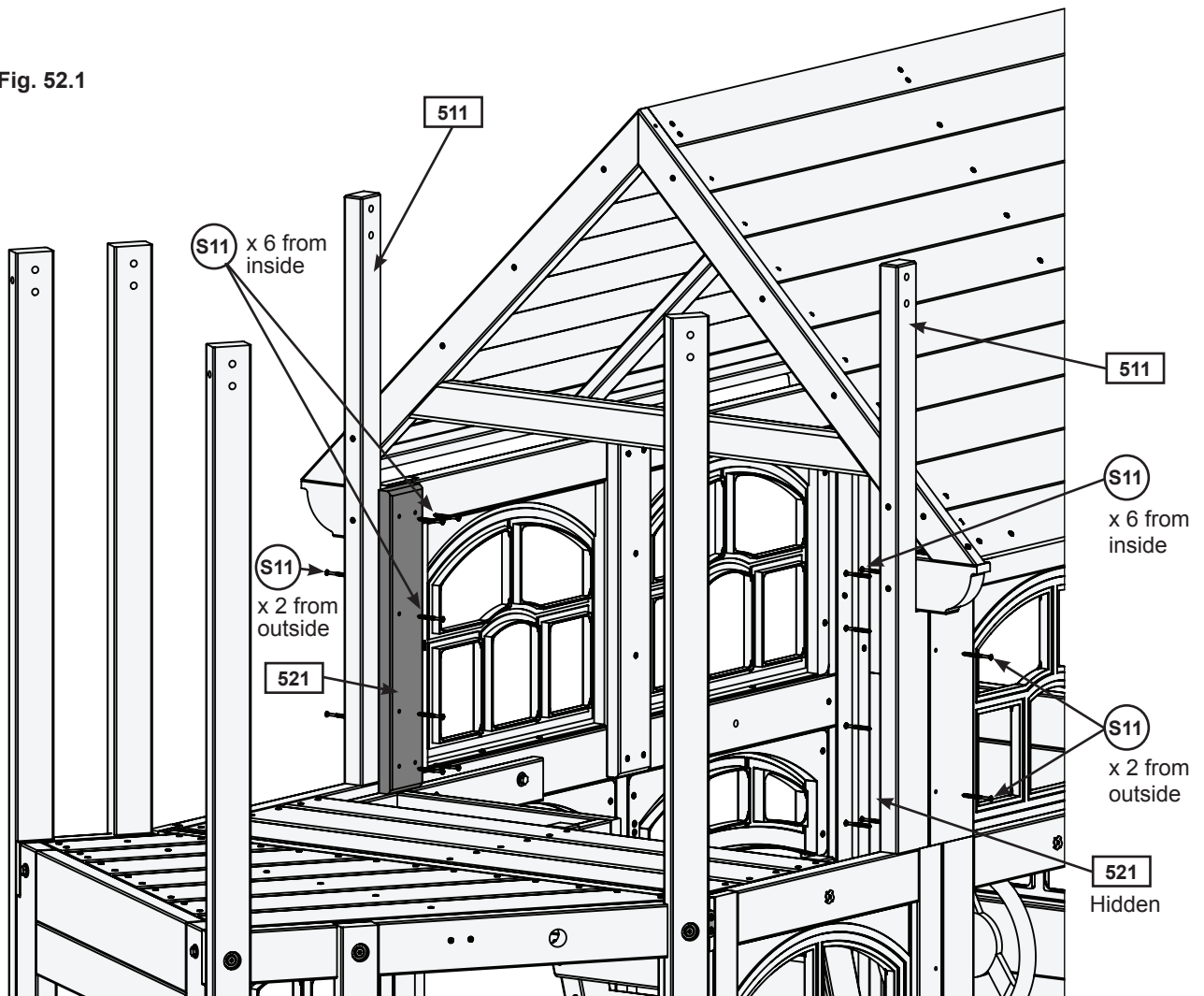
Hardware

4 x  #8 x 2-1/2" Pan Screw

Step 52: Install Short Wall Ties

A: On the inside of each (511) Wall Post place 1 (521) Short Wall Tie so that its centered over the (511) Wall Post and the (272) Right Upright. Attach each board from the inside using 6 (S11) #8 x 2" Wood Screws and from the outside using 2 (S11) #8 x 2" Wood Screws as shown in fig. 52.1.

Fig. 52.1



Wood Parts

2 x **521** Short Wall Tie 15/16 x 3 x 17-1/8"

Hardware

16 x **S11** #8 x 2" Wood Screw

Step 53: Install Short Nest Rails

A: On the left end of the (044) Nest Side Joist remove the (S3) Wood Screws which were installed in Step 4. These screws are no longer needed.

B: Place 1 (531) Narrow Short Wall so that it's flush with the left edge of the (044) Nest Side Joist and to the top of (501) Roof Gable Support. Attach (531) Narrow Short Wall to (501) Roof Gable Support using 2 (S11) #8 x 2" Wood Screws. Attach the bottom of the (531) Narrow Short Wall to (044) Nest Side Joist using 2 (S4) #8 x 3" Wood Screws in place of the (S3) Wood Screws that were removed.

C: Evenly space 3 more (531) Narrow Short Walls making sure that they are flush and install each board using 4 (S11) #8 x 2" Wood Screws per board.

Fig. 53.1

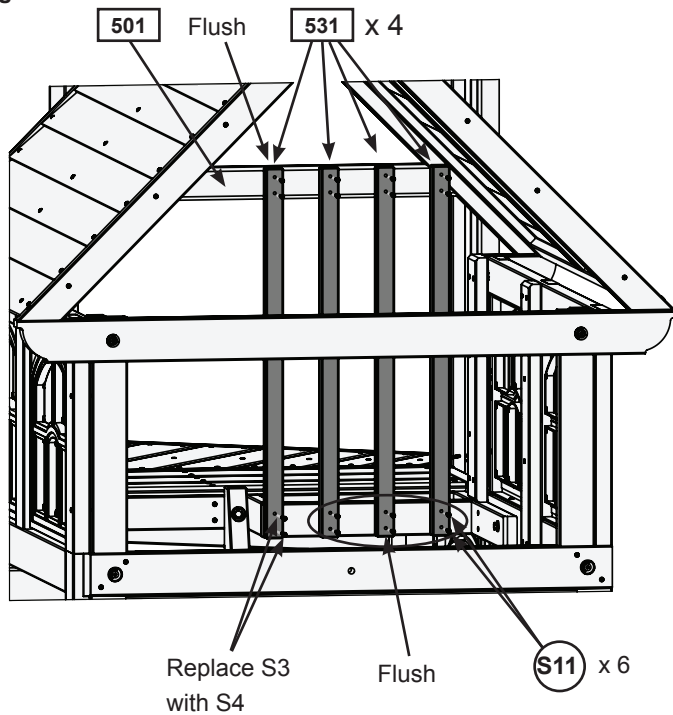


Fig. 53.2

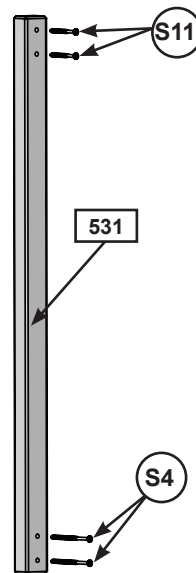
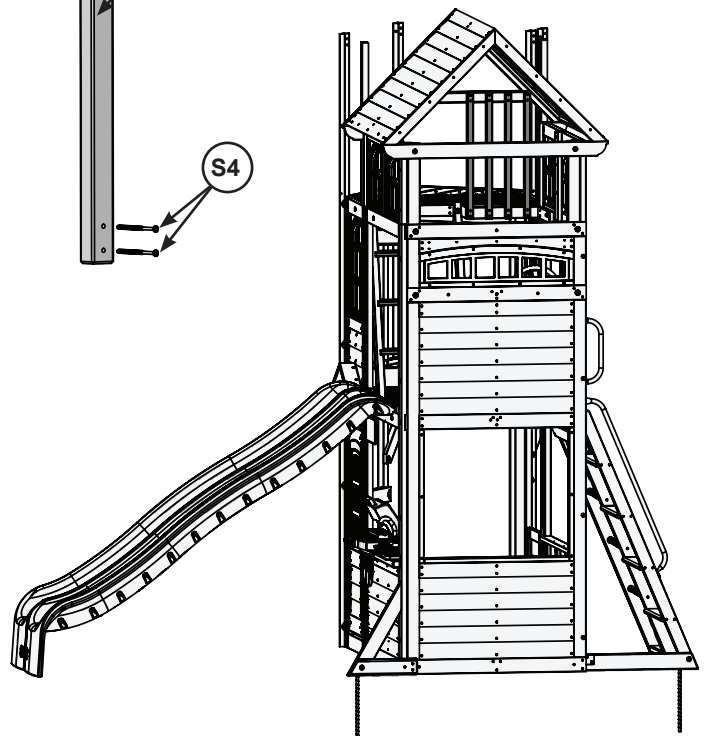


Fig. 53.3



Wood Parts

4 x 531 Narrow Short Wall 1 x 1-1/4 x 25-31/32"

Hardware

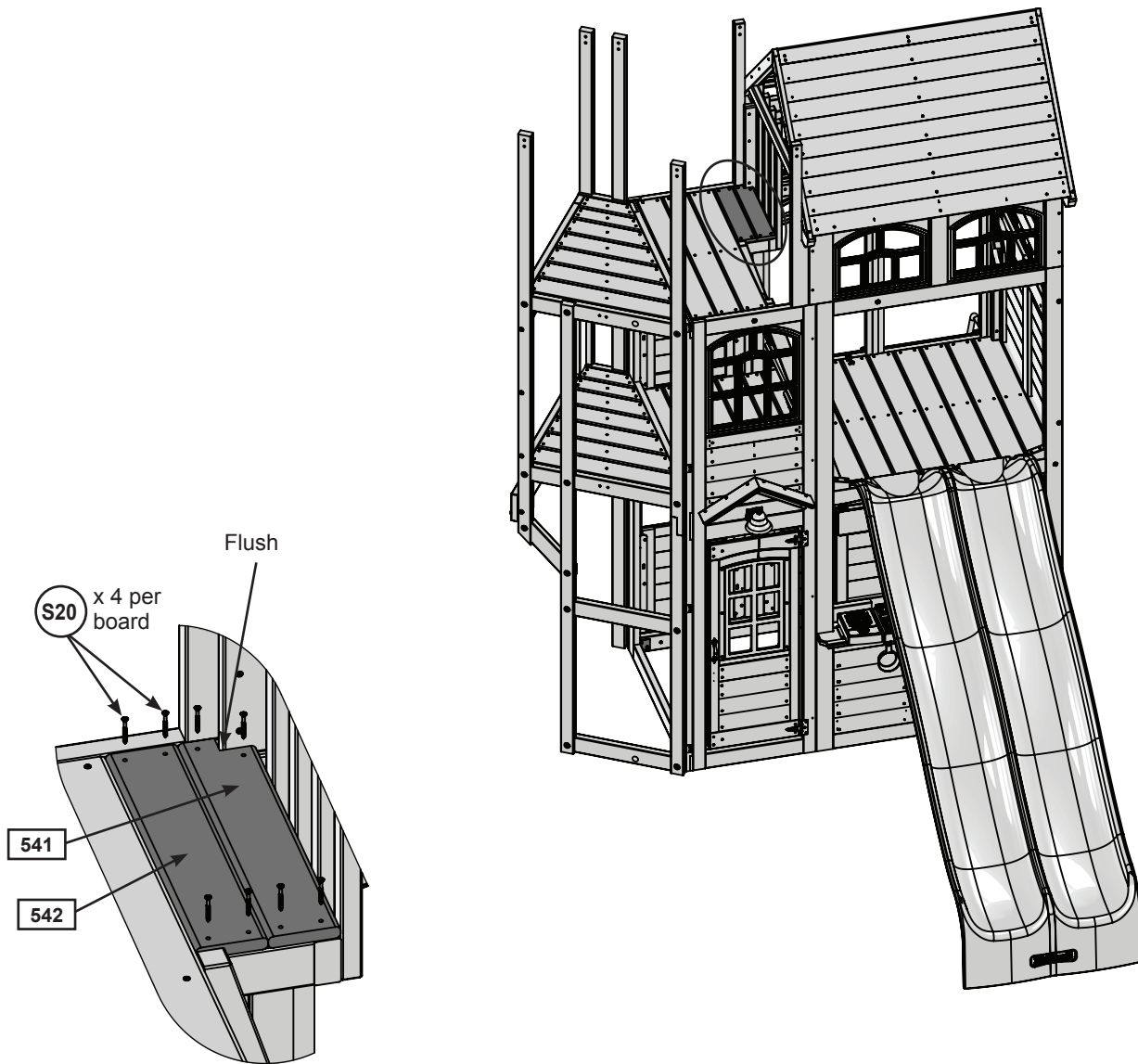
2 x S4 #8 x 3" Wood Screw

14 x S11 #8 x 2" Wood Screw

Step 54: Attach Nest Short Floor Boards

A: Flush to the rails and the side of the joist install 1 (541) Short Floor Gap taking care to position it correctly. Attach using 4 (S20) #8 x 1-3/8" Wood Screws.

B: In the remaining opening center 1 (542) Short Floor and attach using 4 (S20) #8 x 1-3/8" Wood Screws.



Wood Parts

- 1 x 541 Short Floor Gap 5/8 x 3-3/8 x 15-11/16"
- 1 x 542 Short Floor 5/8 x 3-3/8 x 15-11/16"

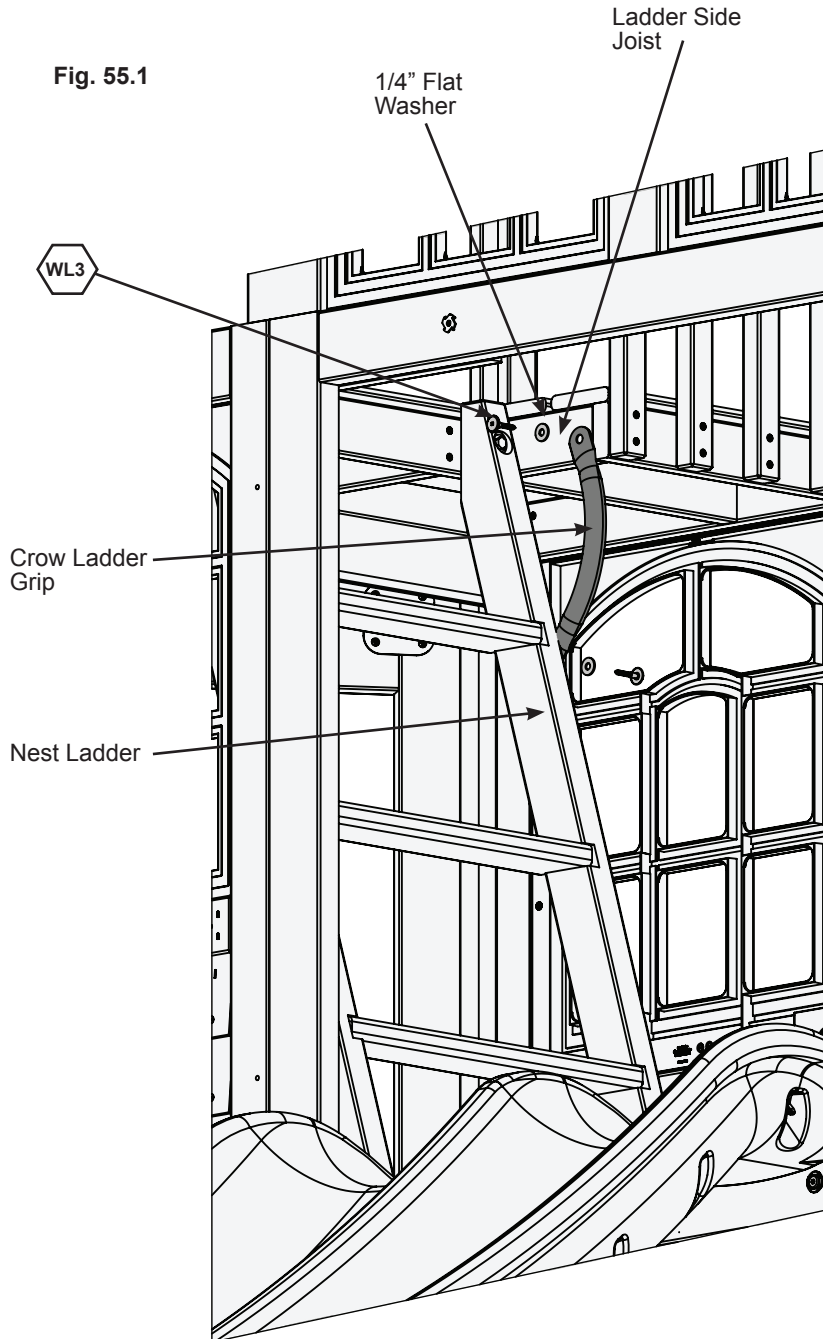
Hardware

- 8 x S20 #8 x 1-3/8" Wood Screw


Step 55: Attach Crow Ladder Grip



A: Position Crow Ladder Grip with one end on the outside of the Nest Ladder and the opposite end on the outside of the (045) Ladder Side Joist. Pre-drill holes using a 1/8" drill bit then attach using 2 (WL3) 1/4 x 1-3/8" Wafer Lags (with flat washer). (Fig. 55.1)



Hardware

2 x  1/4 x 1-3/8" Wafer Lag
(1/4" flat washer)

Other Parts

1 x Crow Ladder Grip

Step 56: Install Narrow Board

A: In the middle opening on the Narrow Wall center 1 (561) Narrow Wall B making sure that it's flush with the bottom. Attach in the locations shown using 6 (S20) #8 x 1-3/8" Wood Screws. (Fig. 56.1 & 56.2)

Fig. 56.1

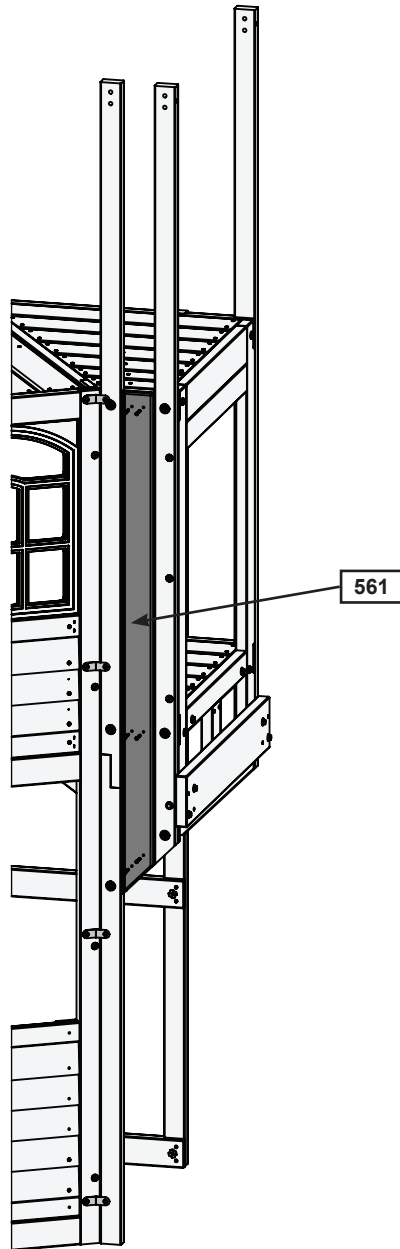
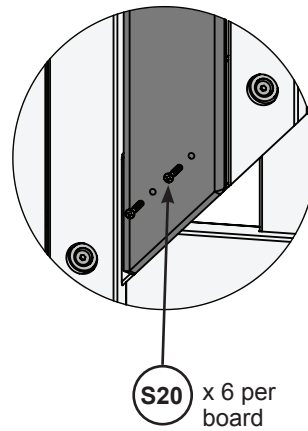


Fig. 56.2



Wood Parts

1 x 561 Narrow Wall B 5/8 x 3-1/4 x 54-11/64"

Hardware

6 x S20 #8 x 1-3/8" Wood Screw

Step 57: Assemble Rock Wall Part 1

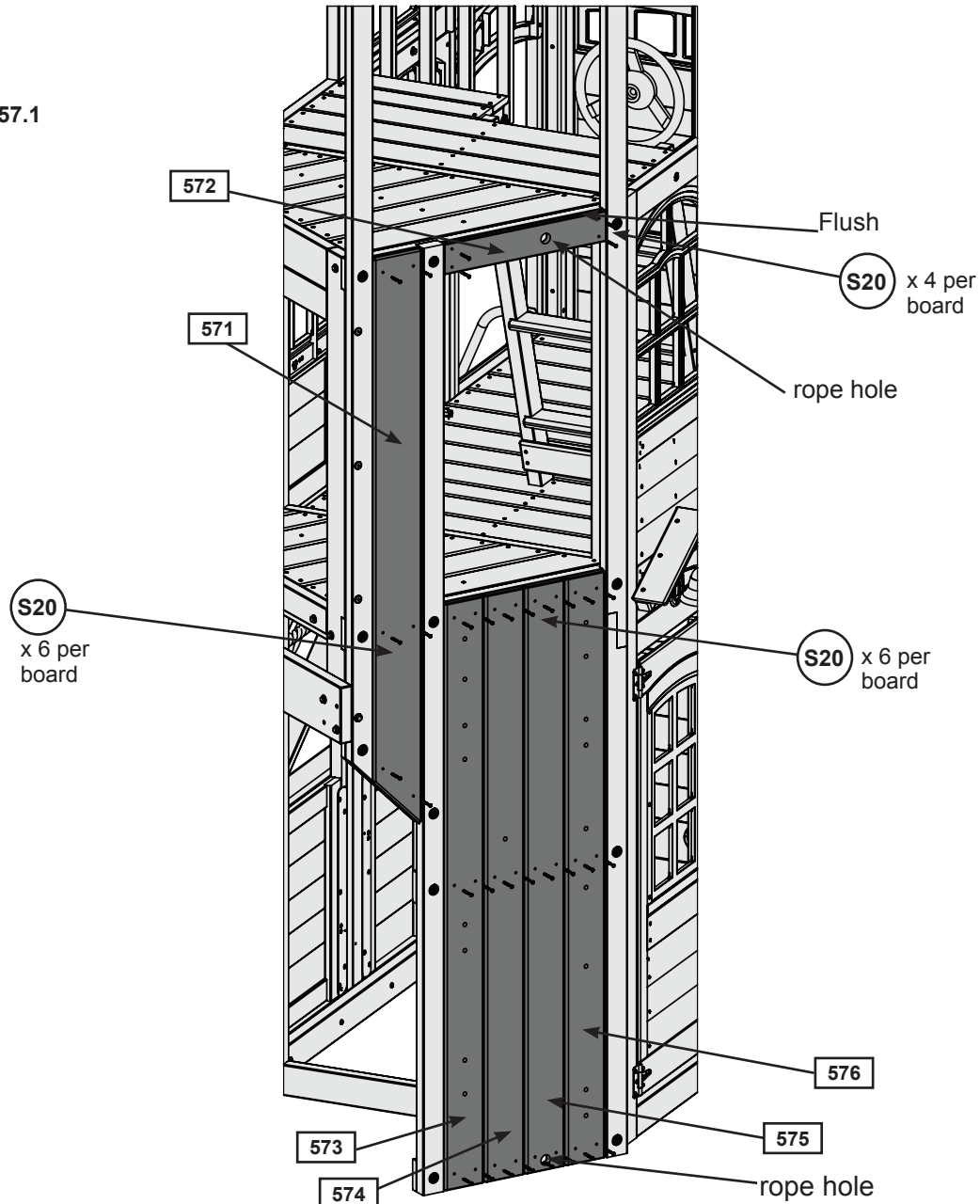
It is important to note hole orientation for the following steps.

A: In the upper left hand opening of the Rock Wall, center 1 (571) Rock Wall B making sure that it's flush to the bottom. Install board with 6 (S20) #8 x 1-3/8" Wood Screws.

B: Place (572) Rope Support across the top of the upper opening with the rope hole to the right. Rope Support should be flush with the upper nest floorboards. Attach using 4 (S20) #8 x 1-3/8" Wood Screws.

C: Taking care to note the hole orientations, place (573,574,575,576) Rock Wall D, E, F and G from left to right so they are evenly spaced in the bottom opening. **It is important to ensure that the rope hole in (575) Rock Wall F is at the bottom.** Attach each board using 6 (S20) #8 x 1-3/8" Wood Screws.

Fig. 57.1



Wood Parts

1 x		Rock Wall B	5/8 x 5-1/4 x 56-1/16"	1 x		Rope Support	5/8 x 3 x 17-3/16"
1 x		Rock Wall D	5/8 x 4-1/4 x 57"				
1 x		Rock Wall E	5/8 x 4-1/4 x 57"				
1 x		Rock Wall F	5/8 x 4-1/4 x 57"				
1 x		Rock Wall G	5/8 x 4-1/4 x 57"				

Hardware

34 x #8 x 1-3/8" Wood Screw

Step 57: Assemble Rock Wall Part 2

Note: Climbing Crater Rocks do not get installed until next step.

D: Referring to (fig.57.3) for correct placement, attach Pinch Rock and the Pocket Rocks using 2 (PB2) ¼ x 1-1/4" Pan Bolts (with lock washer, flat washer and barrel nut) per rock.

E: Attach each Rock B using 1 (PB2) ¼ x 1-1/4" Pan Bolt (with lock washer, flat washer and barrel nut) in the upper hole and 1 (S10) #8 x 1" Pan Screw in the bottom hole.

Note: Make sure all hardware is used to secure each rock properly.

Fig. 57.2

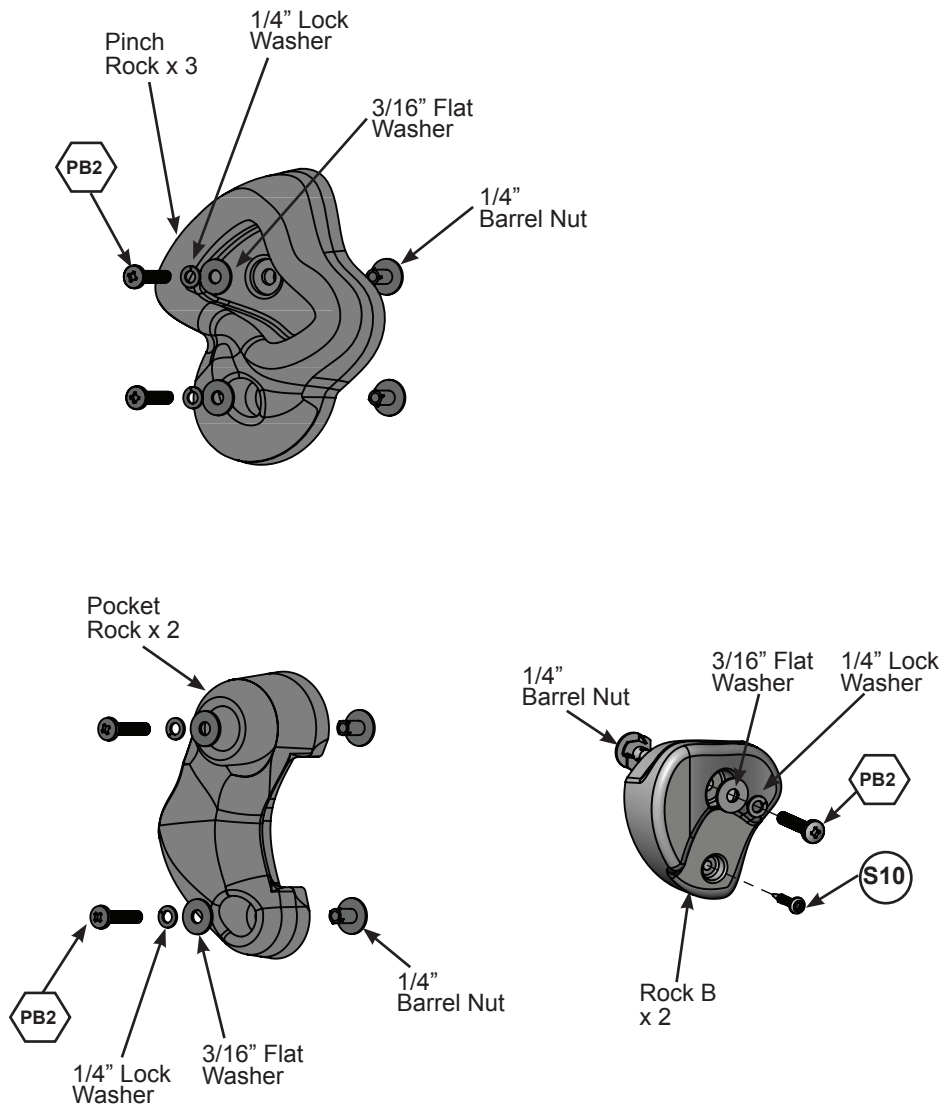
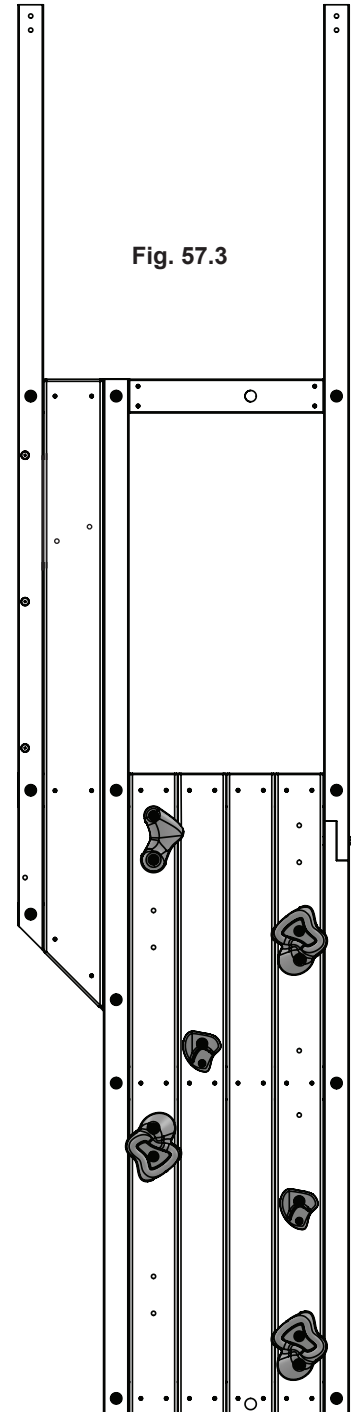



Fig. 57.3



Hardware

- 10 x  1/4 x 1-1/4 Pan Bolt
(1/4" lock washer, 3/16" flat washer & 1/4" barrel nut)
- 2 x  #8 x 1" Pan Screw

Other Parts

- 3 x Pocket Rock
- 1 x Pinch Rock
- 2 x Rock B

Step 57: Assemble Rock Wall Part 3



It is important to note hole orientation for the following steps.

F: Loosely attach each Climbing Crater Rock with 1 (PB2) 1/4 x 1-1/4" Pan Bolt (with lock washer, flat washer and barrel nut) per rock. Maneuver each rock so that the second hole lines up with the pre-drilled hole in the board. Insert Pan Bolt into the second hole as a pin holding Climbing Crater Rock in place and mark the location for the 3rd hole.

G: Remove Pan Bolt from second hole and swing Climbing Crater Rock out of the way. Drill a 3rd hole in the marked location using a 3/8" Drill bit.

H: Install remaining 2 (PB2) 1/4 x 1-1/4" Pan Bolt (with lock washer, flat washer and barrel nut) in each rock and tighten all bolts.

Note: Make sure all hardware is used and tightened to secure each rock properly.

Fig. 57.4

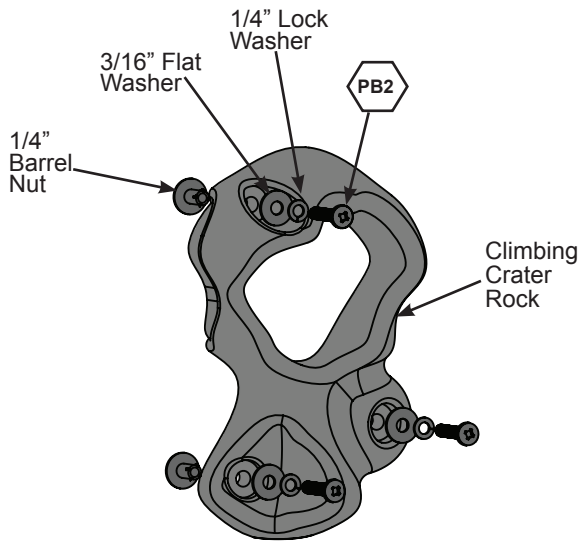
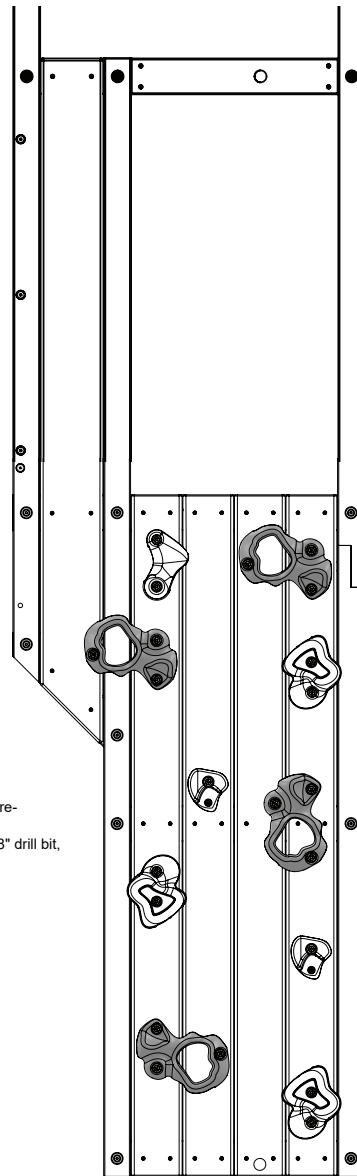



Fig. 57.5



use bolts as a guide in two pre-drilled holes, mark 3rd hole, remove rock and drill with 3/8" drill bit, attach with all three bolts

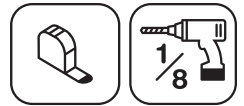
Hardware

12 x  1/4 x 1-1/4" Pan Bolt
(1/4" lock washer, 3/16" flat washer & 1/4" barrel nut)

Other Parts

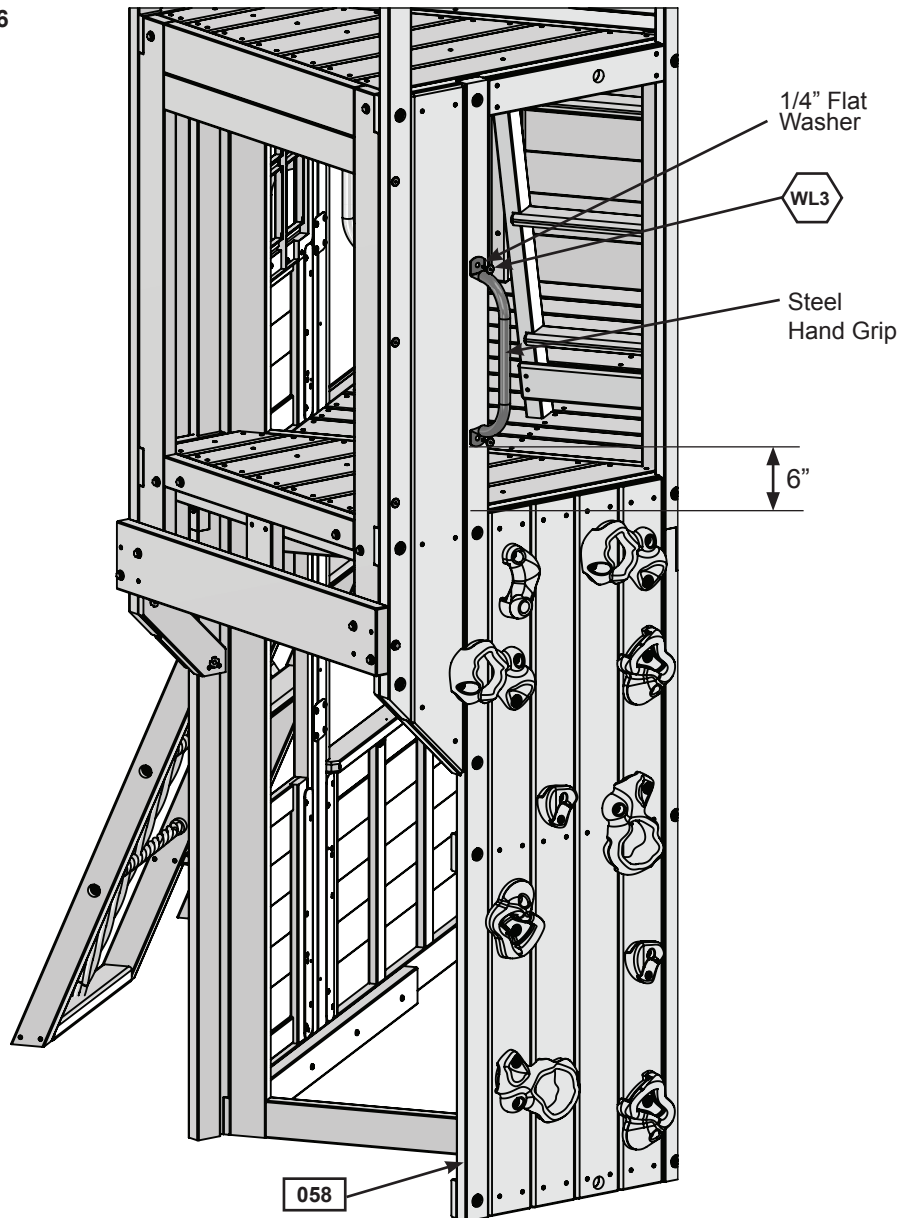
4 x Climbing Crater Rock

Step 57: Assemble Rock Wall Part 4




I: On (058) Rock Wall C, measure 6" up from the floorboards and center 1 Steel Hand Grip. Mark the hole locations and pre-drill with a 1/8" drill bit making sure holes are centered. Attach Steel Hand Grip using 2 (WL3) 1/4 x 1-3/8" Wafer Lags (with flat washer).

Fig. 57.6



Hardware

2 x  1/4 x 1-3/8" Wafer Lag
(1/4" flat washer)

Other Parts

1 x Steel Hand Grip

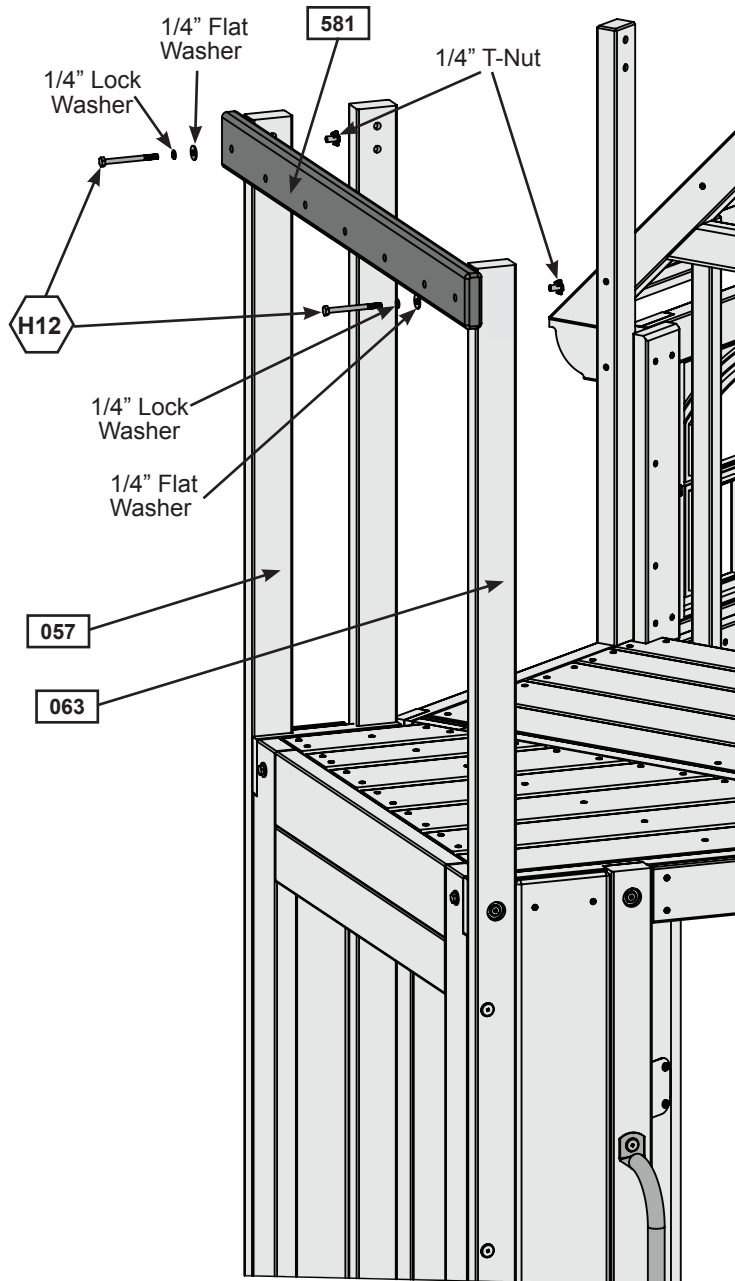
Step 58: Install Top Barriers

Part 1

It is important to note hole orientations when installing Top Barriers.

A: Place (581) Barrier Top C across the top front of (057) Narrow Wall A and (063) Rock Wall A making sure that it's flush at the top and that the pre-drilled holes in the board are towards the bottom. Attach on each end using 1 (H12) 1/4 x 3" Hex Bolt (with flat washer and t-nut) per side. (Fig. 58.1)

Fig. 58.1



Wood Parts

1 x 581 Barrier Top C 15/16 x 3 x 35-1/4"

Hardware

2 x H12 1/4 x 3" Hex Bolt
(1/4" lock washer, 1/4" flat washer, 1/4" t-nut)

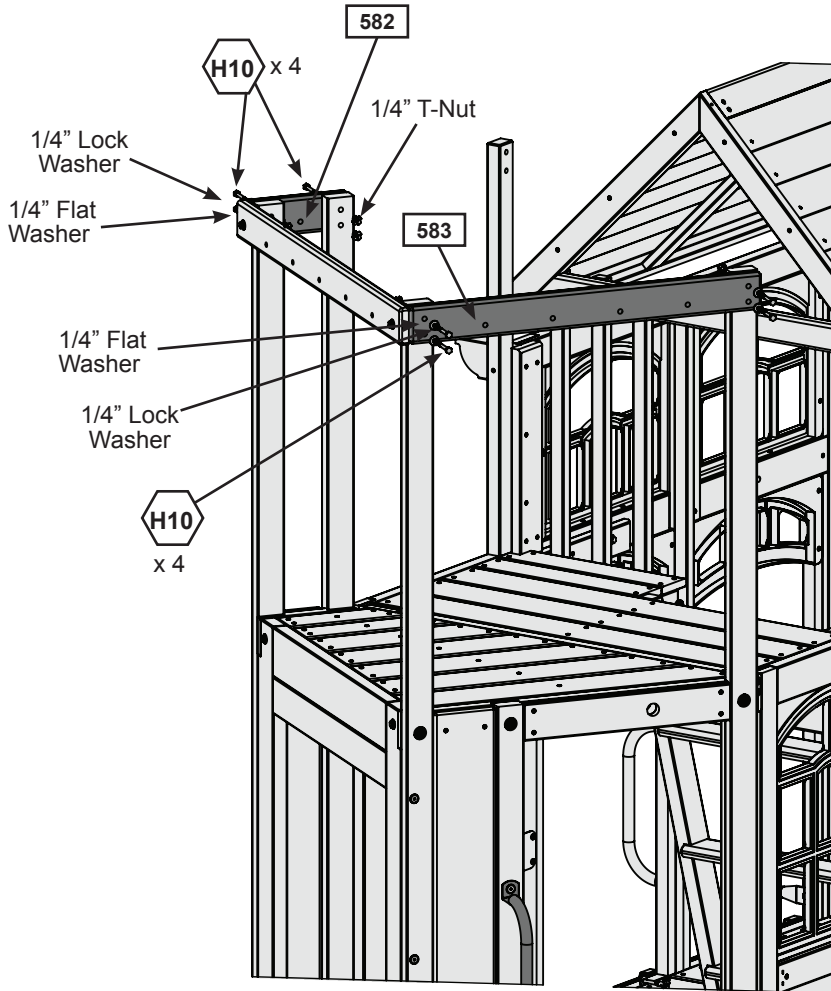
Step 58: Install Top Barriers

Part 2

B: Flush to the top of the Narrow Wall Frame attach (582) Barrier Top D from the outside using 4 (H10) 1/4 x 2-1/4" Hex Bolts (with flat washer and t-nut). (Fig. 58.2)

C: Flush to the top of the Rock Wall Frame attach (583) Barrier Top B from the outside using 4 (H10) 1/4 x 2-1/4" Hex Bolts (with flat washer and t-nut). (Fig. 58.2)

Fig. 58.2



Wood Parts

- 1 x 582 Barrier Top D 15/16 x 3 x 8-3/64"
- 1 x 583 Barrier Top B 15/16 x 3 x 29-13/32"

Hardware

- 8 x H10 1/4 x 2-1/4" Hex Bolt
(1/4" lock washer, 1/4" flat washer, 1/4" t-nut)

Step 58: Install Top Barriers

Part 3

D: Place (584) Barrier Top E across the top of the opening from (582) Barrier Top D to the (511) Wall Post. Attach to the (511) Wall Post using 2 (H10) 1/4 x 2-1/4" Hex Bolts (with flat washer and t-nut) and to (582) Barrier Top D using 2 (S11) #8 x 2" Wood Screws, making sure that screws are installed on an angle as shown in (fig.58.4 & 58.5).

E: Place (585) Barrier Top A across the top opening from the Rock Wall Frame to the (511) Wall Post. Attach to the (511) Wall Post using 2 (H10) 1/4 x 2-1/4" Hex Bolts (with flat washer and t-nut) and attach to the (051) Rock Wall H using 2 (S11) #8 x 2" Wood Screws, making sure that screws are installed on an angle. (Fig. 58.6 & 58.5)

Fig. 58.4

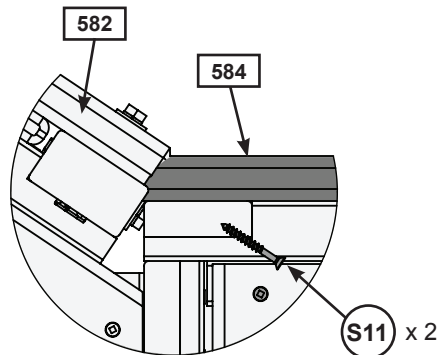


Fig. 58.5

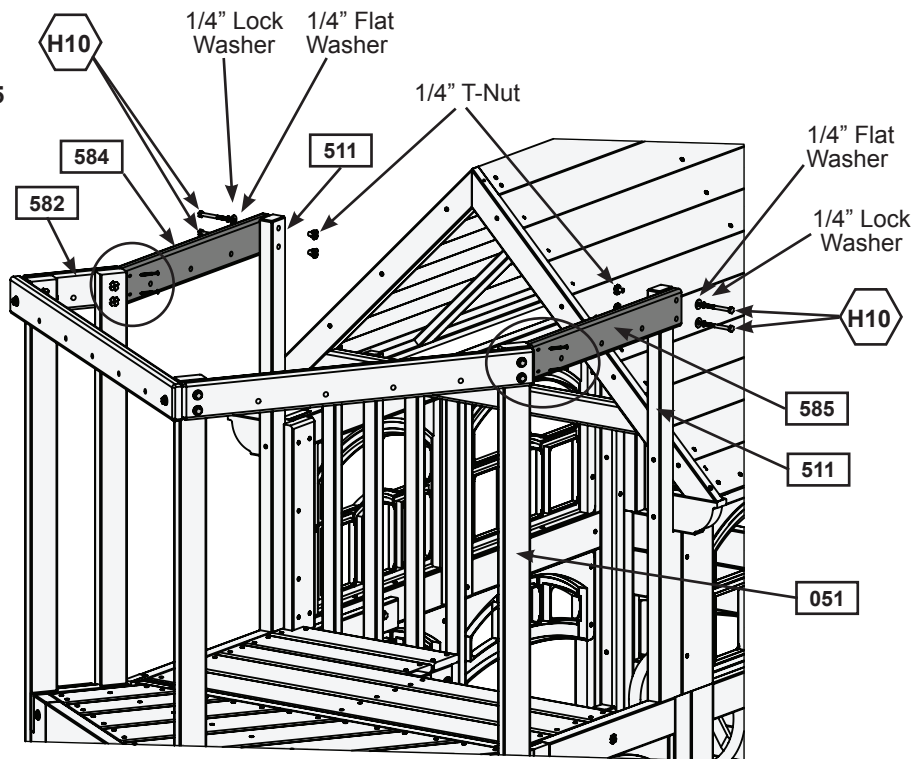
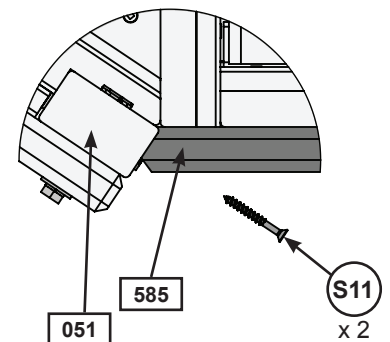


Fig. 58.6



Wood Parts

- 1 x **584** Barrier Top E 15/16 x 3 x 20-15/32"
- 1 x **585** Barrier Top A 15/16 x 3 x 20-23/32"

Hardware

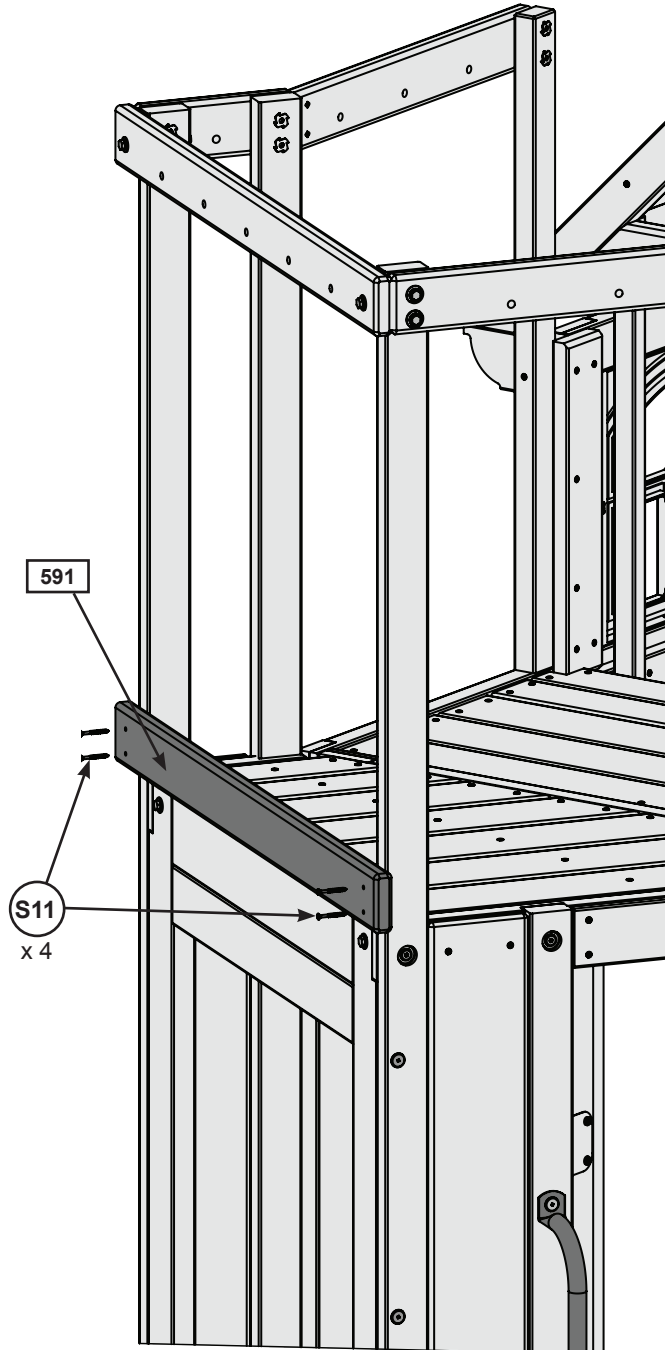
- 4 x **(H10)** 1/4 x 2-1/4" Hex Bolts
(1/4" lock washer, 1/4" flat washer, 1/4" t-nut)
- 4 x **(S11)** #8 x 2" Wood Screw

Step 59: Install Bottom Barriers

Part 1

A: Flush with the top of the (431) Upper SL Insert install 1 (591) Barrier Bottom C to the Rock Wall and Narrow Wall Frames using 2 (S11) #8 x 2" Wood Screws per side.

Fig. 59.1



Wood Parts

1 x **591** Barrier Bottom C 15/16 x 3 x 35-1/4"

Hardware

4 x **S11** #8 x 2" Wood Screw

Step 59: Install Bottom Barriers

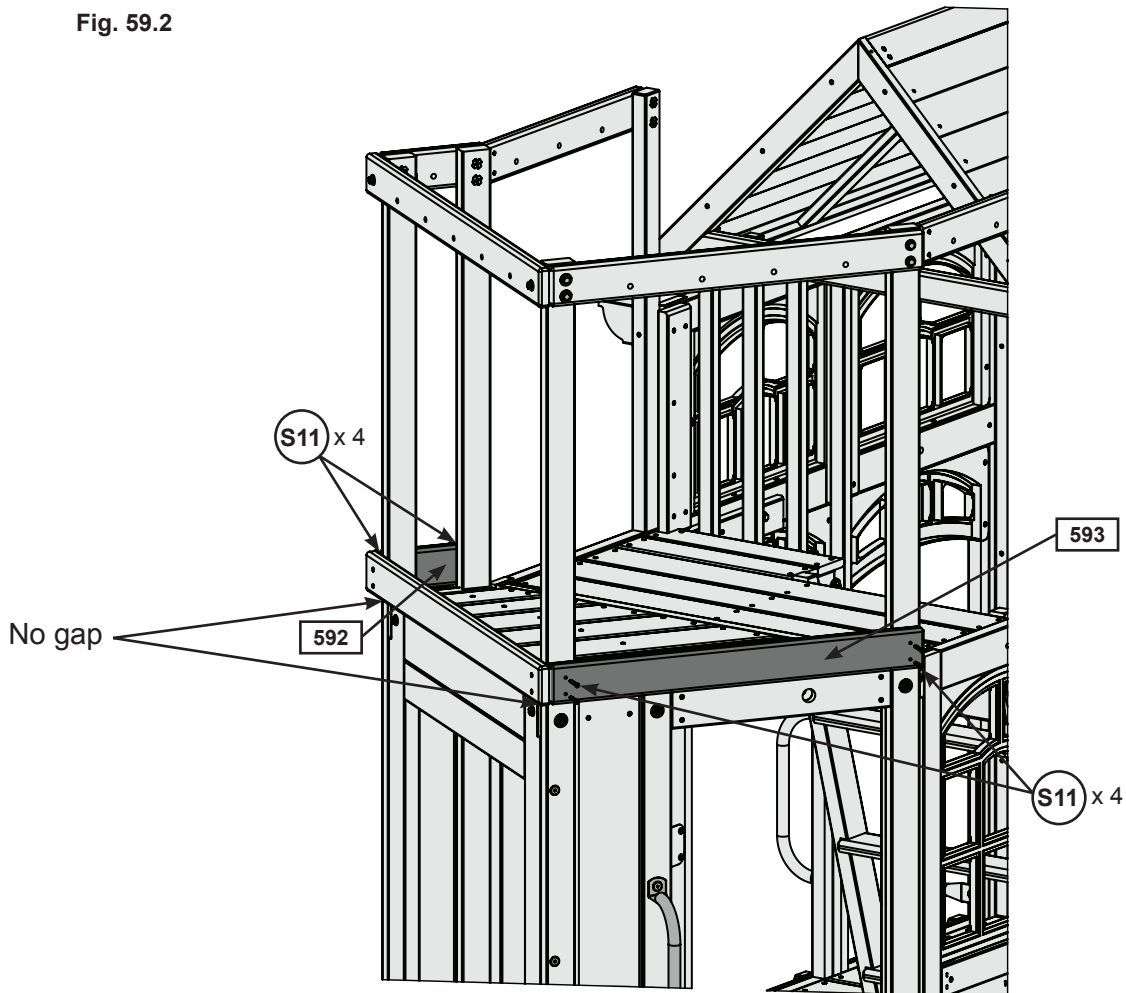
Part 2

Note: It is important that all bottom barriers are installed flush to the lower frames leaving no gaps.

B: Across the lower opening in the Narrow Wall install (592) Barrier Bottom D using 2 (S11) #8 x 2" Wood Screws per side. (fig.59.2.)

C: Install (593) Barrier Bottom B across the lower opening in the Rock Wall using 2 (S11) #8 x 2" Wood Screws per side as shown in fig.59.2.

Fig. 59.2



Wood Parts

- 1 x 592 Barrier Bottom D 15/16 x 3 x 8-3/64"
- 1 x 593 Barrier Bottom B 15/16 x 3 x 29-13/32"

Hardware

- 8 x S11 #8 x 2" Wood Screw

Step 59: Install Bottom Barriers

Part 3

Note: It is important that all bottom barriers are installed flush to the lower frames leaving no gaps.

D: Tight to (592) Barrier Bottom D, place (594) Barrier Bottom E across the opening on the Narrow Wall Panel side. Attach to the (511) Wall Post using 2 (S11) #8 x 2" Wood Screws and to (592) Barrier Bottom D using 2 (S11) #8 x 2" Wood Screws, making sure that these screws are installed on an angle as shown in fig.59.3 & 59.4.

E: Place (595) Barrier Bottom A across the opening on the Rock Wall side so that it's tight to the Rock Wall Frame. Attach to the (511) Wall Post using 2 (S11) #8 x 2" Wood Screws and to the (051) Rock Wall H using 2 (S11) #8 x 2" Wood Screws, making sure that these screws are installed on an angle as shown in fig.59.3 & 59.5.

Fig. 59.3

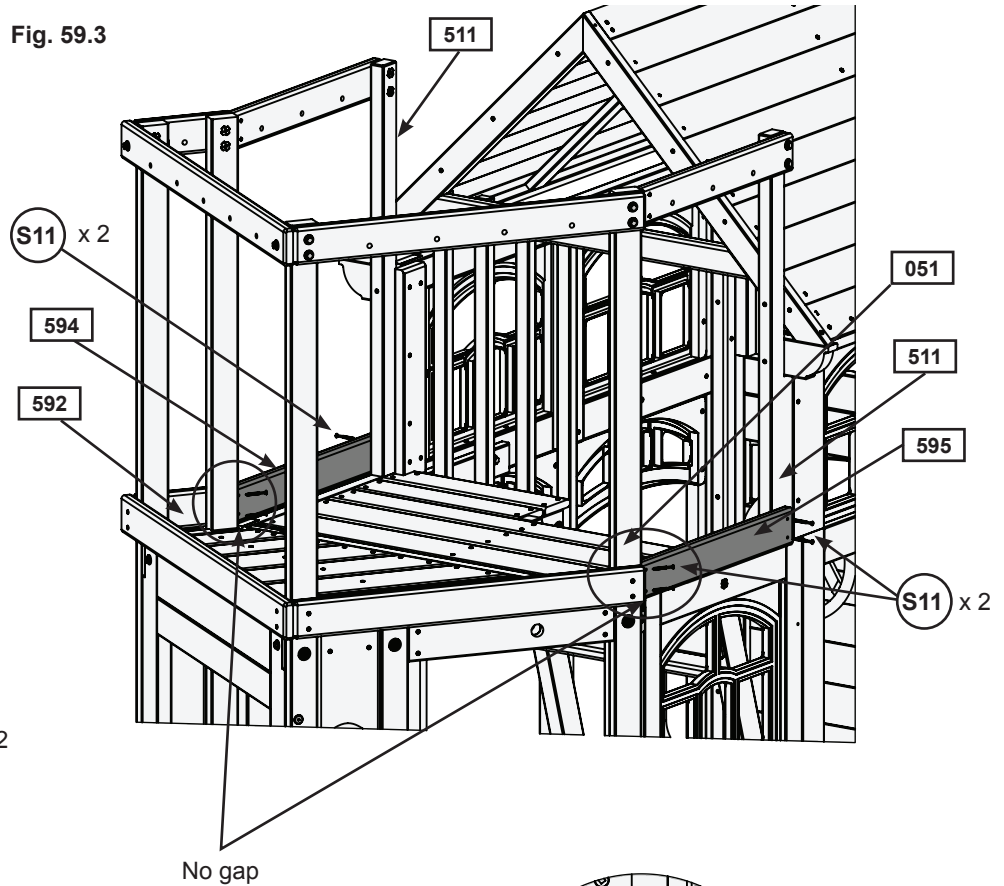


Fig. 59.4

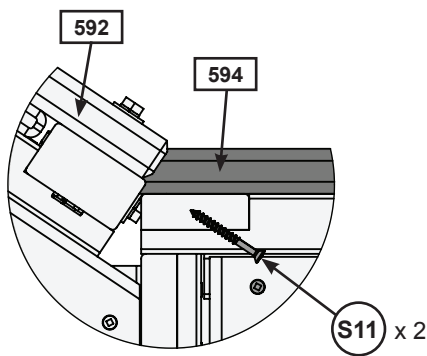
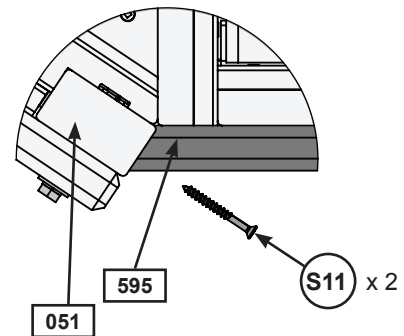


Fig. 59.5



Wood Parts

- 1 x 594 Barrier Bottom E 15/16 x 3 x 21-1/4"
- 1 x 595 Barrier Bottom A 15/16 x 3 x 21-1/4"

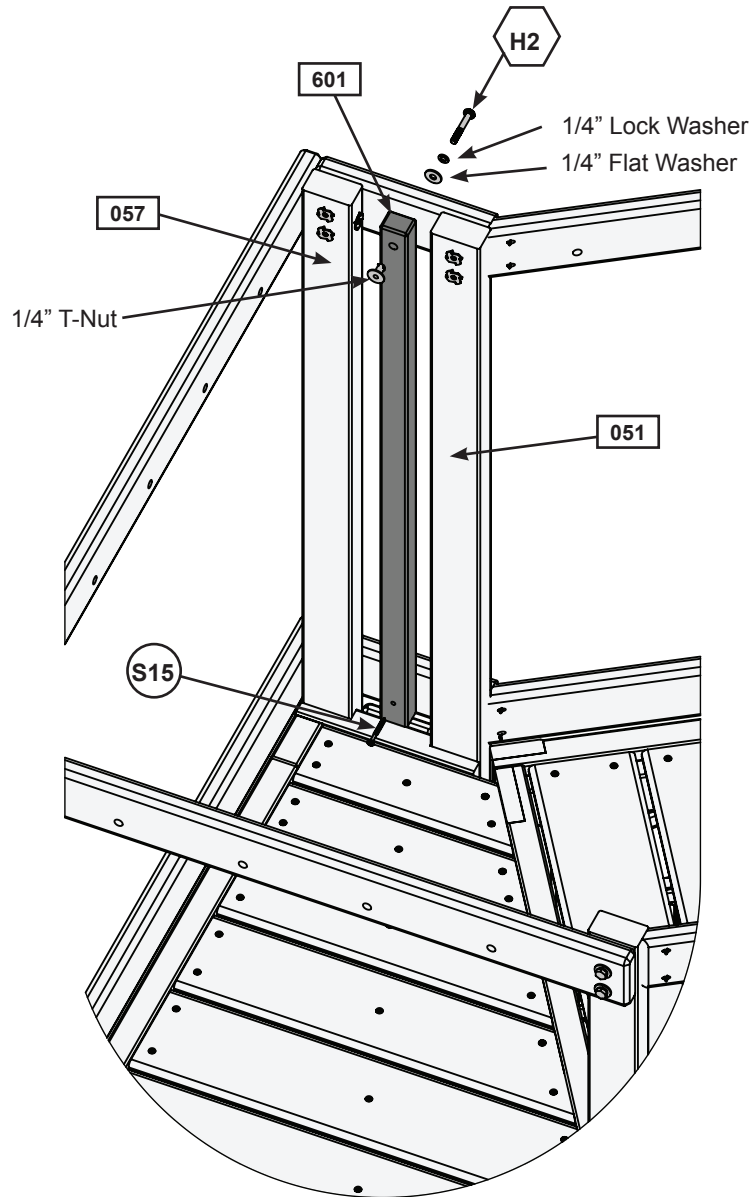
Hardware

- 8 x (S11) #8 x 2" Wood Screw

Step 60: Install Narrow Rail

A: Center 1 (601) Narrow Wall Rail between (057) Narrow Wall A and (051) Rock Wall H. Attach the top of the Rail from the outside using 1 (H2) 1/4 x 2" Hex Bolt (with lock washer, flat washer and t-nut) and the bottom of the rail from the inside using 1 (S15) #8 x 1-3/4" Flat Head Screw. (Fig. 60.1)

Fig. 60.1



Wood Parts

1 x **601** Narrow Wall Rail 1 x 1-1/4 x 32"

Hardware

1 x **S15** #8 x 1-3/4" Flat Head Screw
1 x **H2** 1/4 x 2" Hex Bolt
(1/4" lock washer, 1/4" flat washer, 1/4" t-nut)

Step 61: Attach Nest Walls



A: From the inside, place 15 (611) Nest Wall Rails around the 4 openings in the Upper Nest Walls as shown in fig. 61.2, taking care to ensure that the boards are evenly spaced. Attach each rail from the outside at the top using 1 (H1) 1/4 x 1-1/2" Pan Head Bolt (with lock washer, flat washer and t-nut). (Fig. 61.1 & 61.2)

B: Double check to ensure that all Nest Wall Rails are level and straight and attach the bottom of the boards from the inside using 2 (S20) #8 x 1-3/8" Wood Screws per board. (Fig. 61.1 & 61.2)

Fig. 61.1

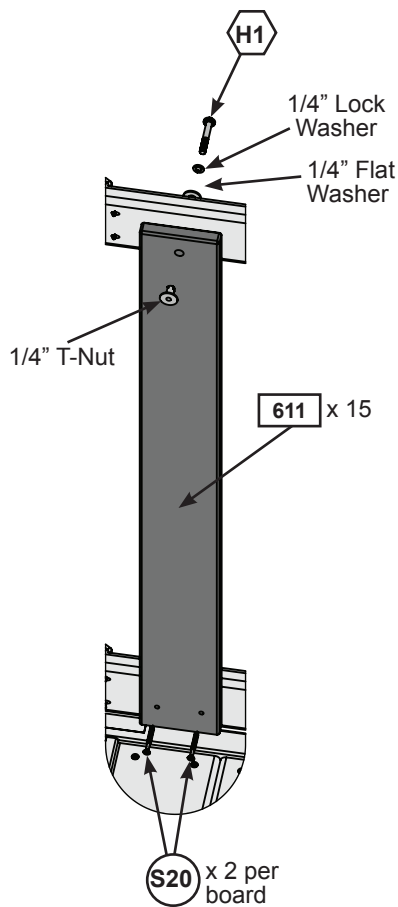
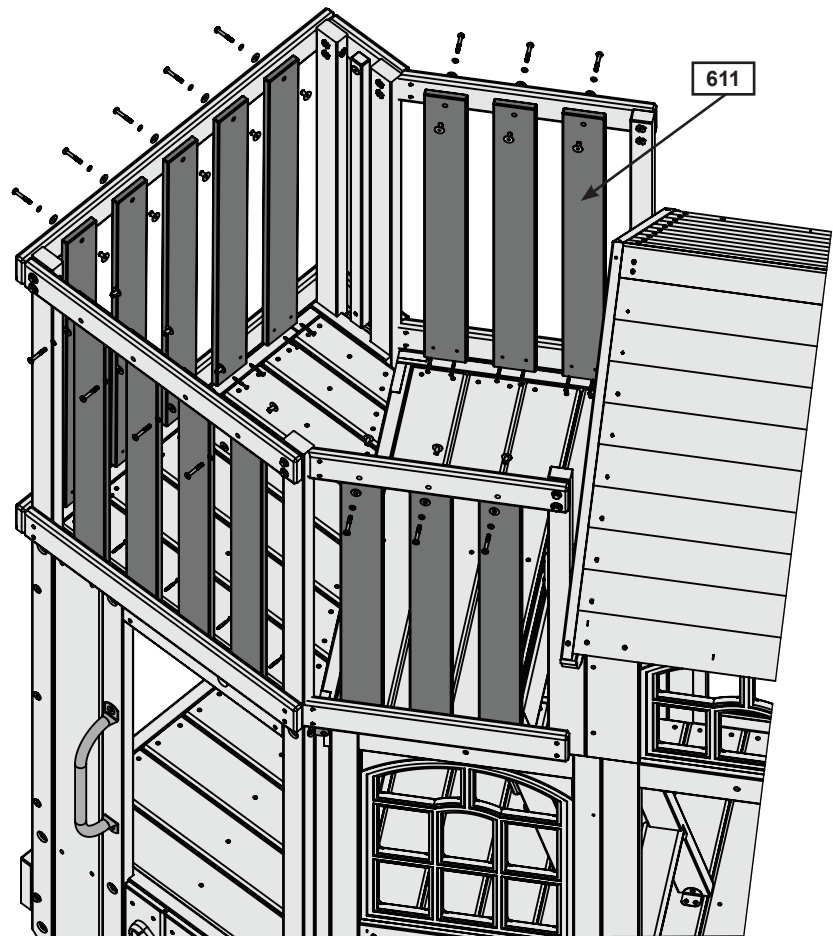


Fig. 61.2



Wood Parts

15 x **611** Nest Wall Rails 5/8 x 3-3/8 x 32"

Hardware

30 x **S20** #8 x 1-3/8" Wood Screw

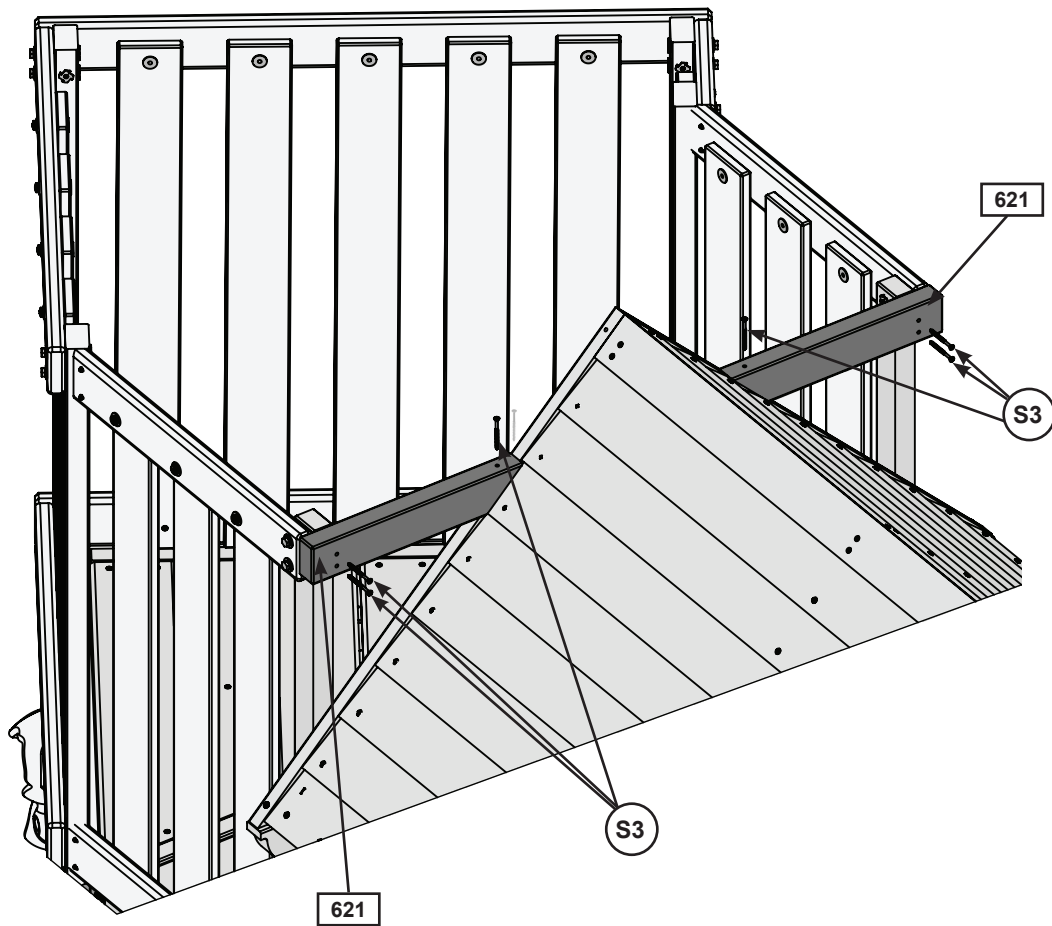
15 x **H1** 1/4 x 1-1/2" Pan Head Bolt

(with 1/4" flat washer, 1/4" lock washer and 1/4" t-nut)

Step 62: Install Roof Ties

A: On each side of the Upper Nest place 2 (621) Roof Ties from the Top Barriers to the Roof Panel. It is important to make sure that they are flush to the tops and edges of the Top Barriers. Install each Roof Tie using 3 (S3) #8 x 2-1/2" Wood Screws per side. (Fig. 62.1)

Fig. 62.1



Wood Parts

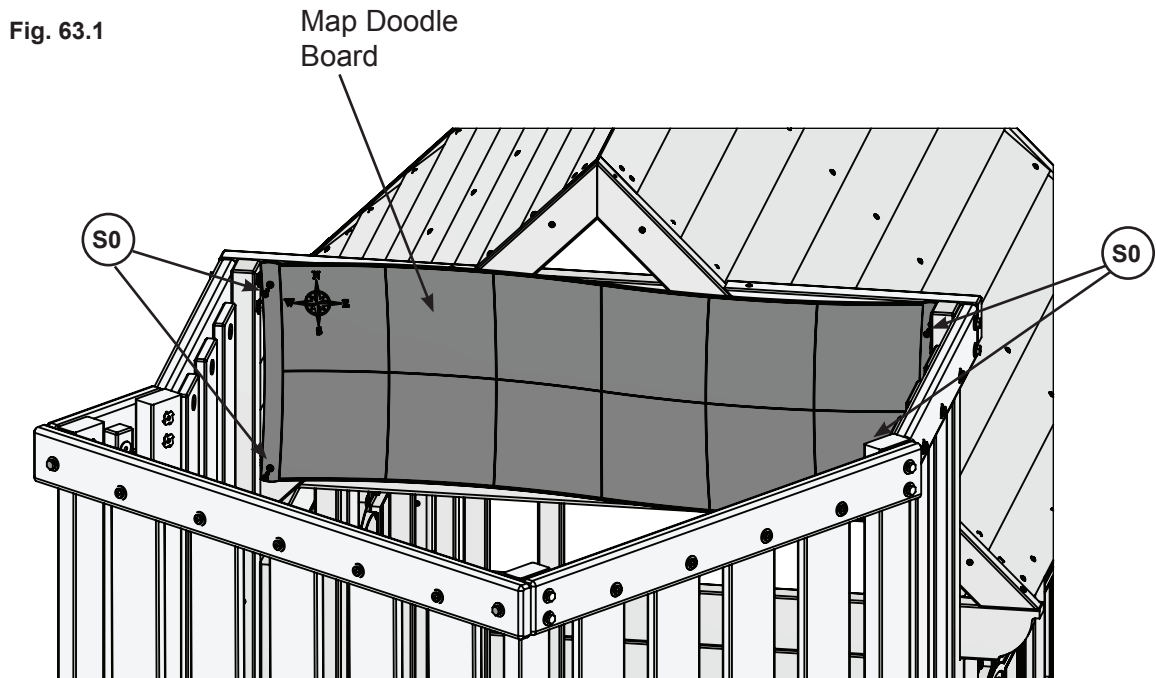
2 x 621 Roof Tie 1-1/4 x 2-3/8 x 13-13/32"

Hardware

6 x S3 #8 x 2-1/2" Wood Screw

Step 63: Install Map Doodle Board

A: In the Upper Nest, place Map Doodle Board in the location shown in fig.63.1 and attach using 4 (S0) #8 x 7/8" Truss Screws. (fig. 63.1)



Hardware

4 x  #8 x 7/8" Truss Screw

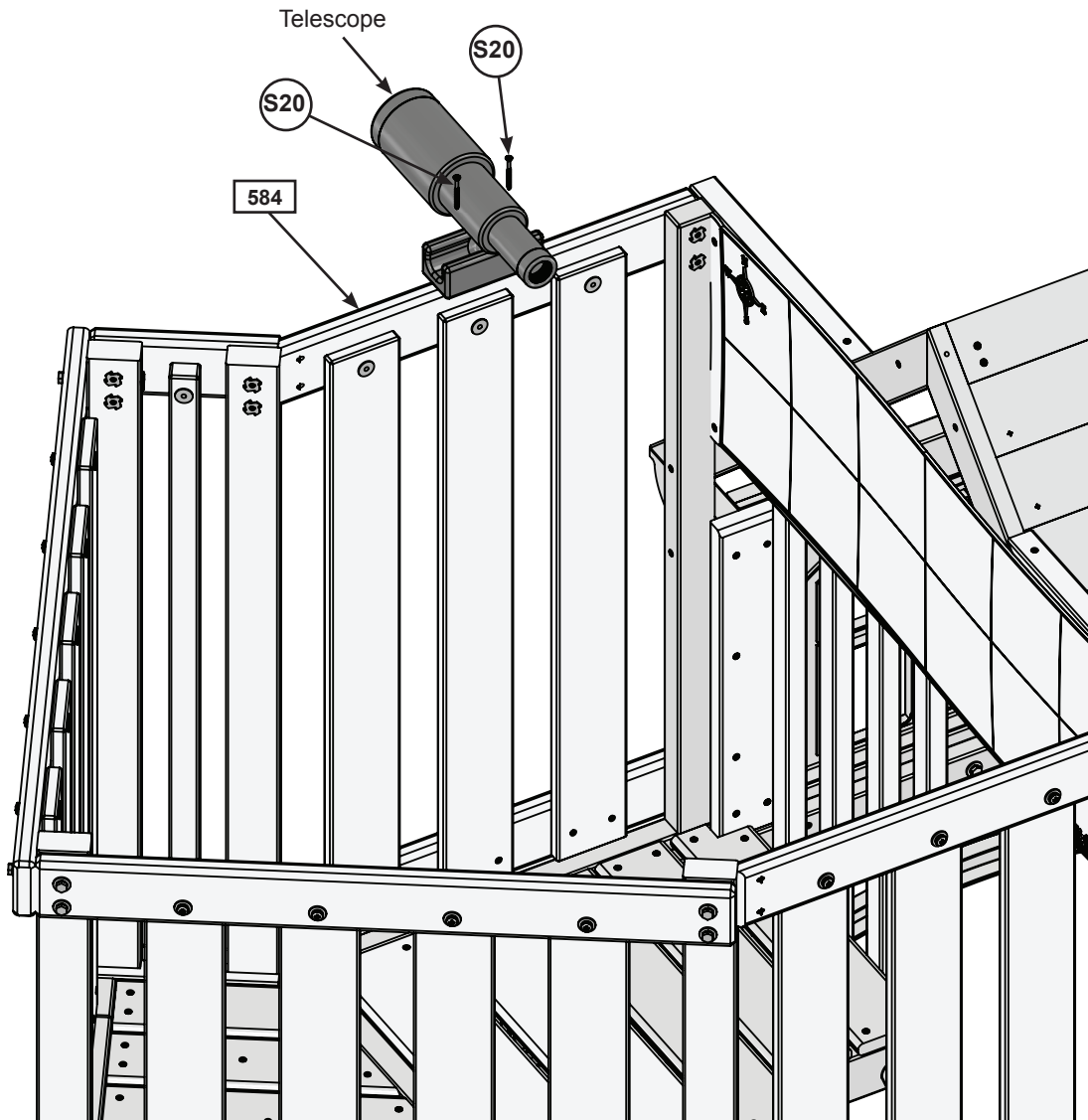
Other Parts

1 x Map Doodle Board

Step 64: Attach Telescope

A: In the Upper Nest, center the Telescope Base on (584) Barrier Top E and attach with 2 (S20) #8 x 1-3/8" Wood Screws. Slide Telescope into position. (Fig. 64.1)

Fig. 64.1



Hardware

2 x  #8 x 1-3/8" Wood Screw

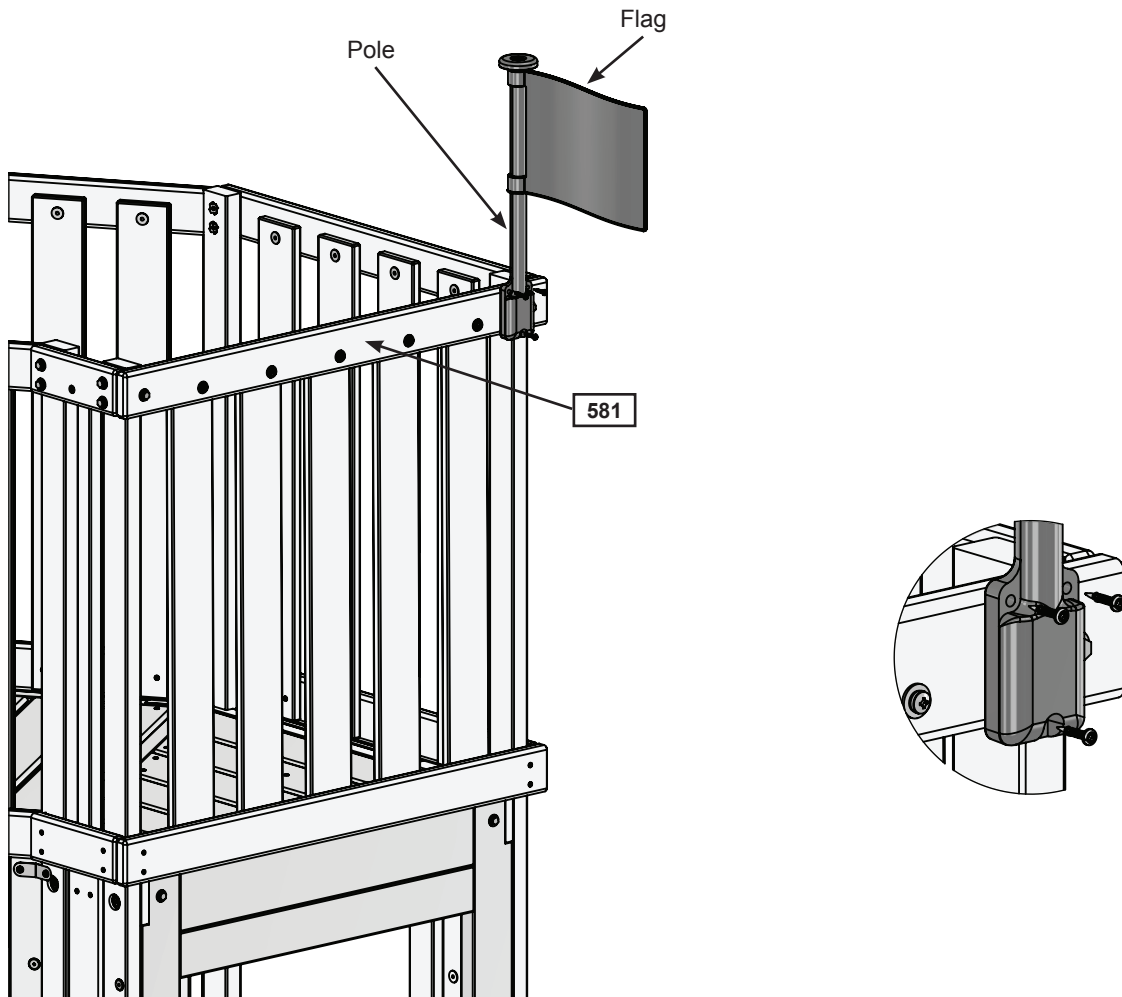
Other Parts

1 x Telescope

Step 65: Attach Flag and Pole

A: From the outside of the Upper Nest attach Flag and Pole to the right side of (581) Barrier Top C using 3 (S10) #8 x 1" Pan Screws.(Fig. 65.1)

Fig. 65.1



Hardware

3 x (S10) #8 x 1" Pan Screw

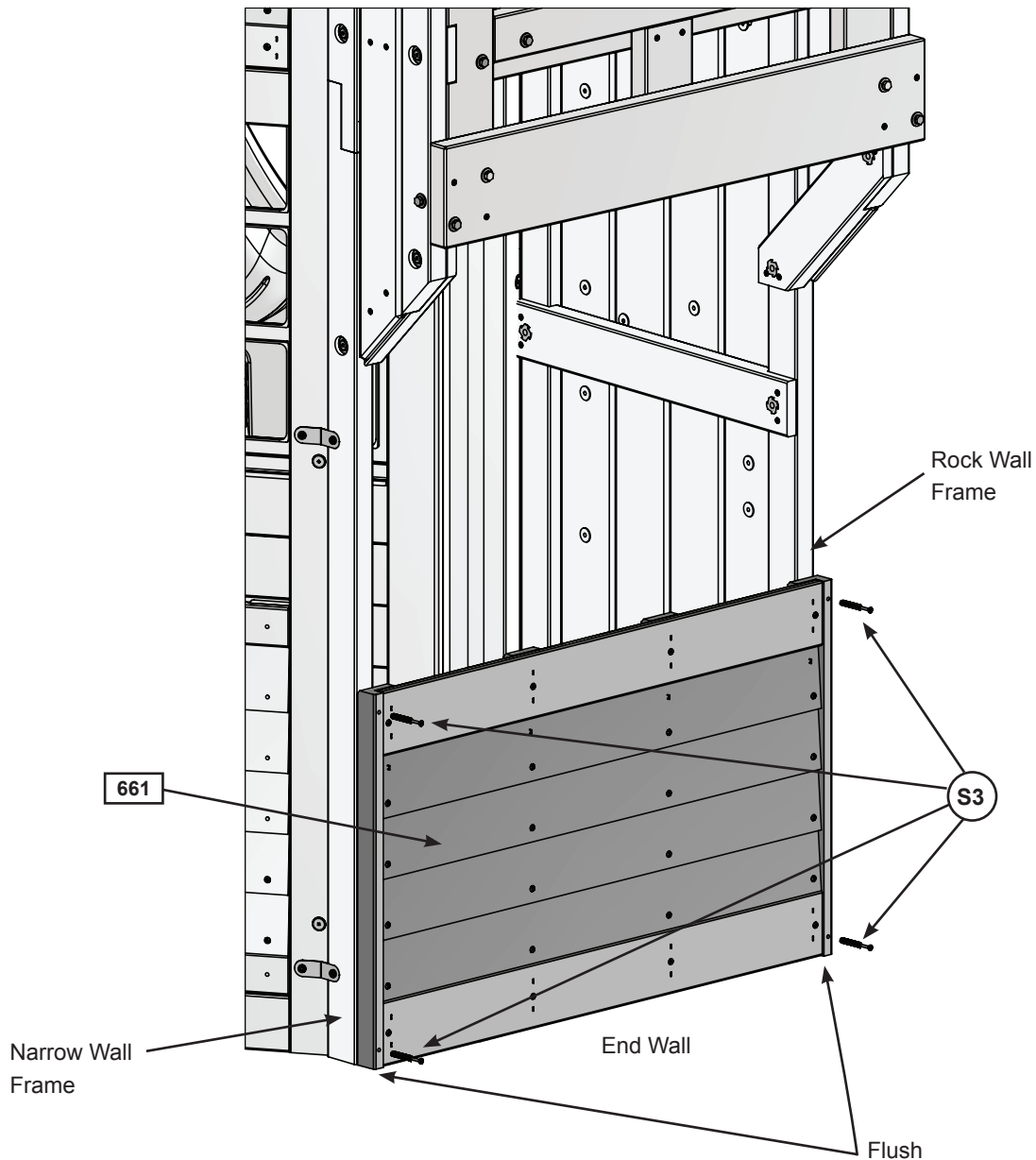
Other Parts

1 x Flag
1 x Pole

Step 66: Install SL Panel Part 1

A: In the bottom opening of the End Wall attach (661) SL Panel to the Rock Wall Frame and the Narrow Wall Frame using 4 (S3) #8 x 2-1/2" Wood Screws, making sure that the SL Panel is flush with the bottom of both frames. (Fig. 66.1)

Fig. 66.1



Wood Parts

1 x 661 SL Panel 1-3/8 x 20-1/4 x 33-1/8"

Hardware

4 x S3 #8 x 2-1/2" Wood Screw

Step 66: Install SL Panel Part 2

B: From the outside, place (662) End Wall Top so that it fits over the SL Panel and is tight to each corner. Attach using 2 (S3) #8 x 2-1/2" Wood Screws. (Fig. 66.2)

C: From the inside, place a Corner Bracket at the top of each slat so they are flush to the (662) End Wall Top. Attach each Corner Bracket using 3 (S0) #8 x 7/8" Truss Screws as shown in fig. 66.3.

Fig. 66.2

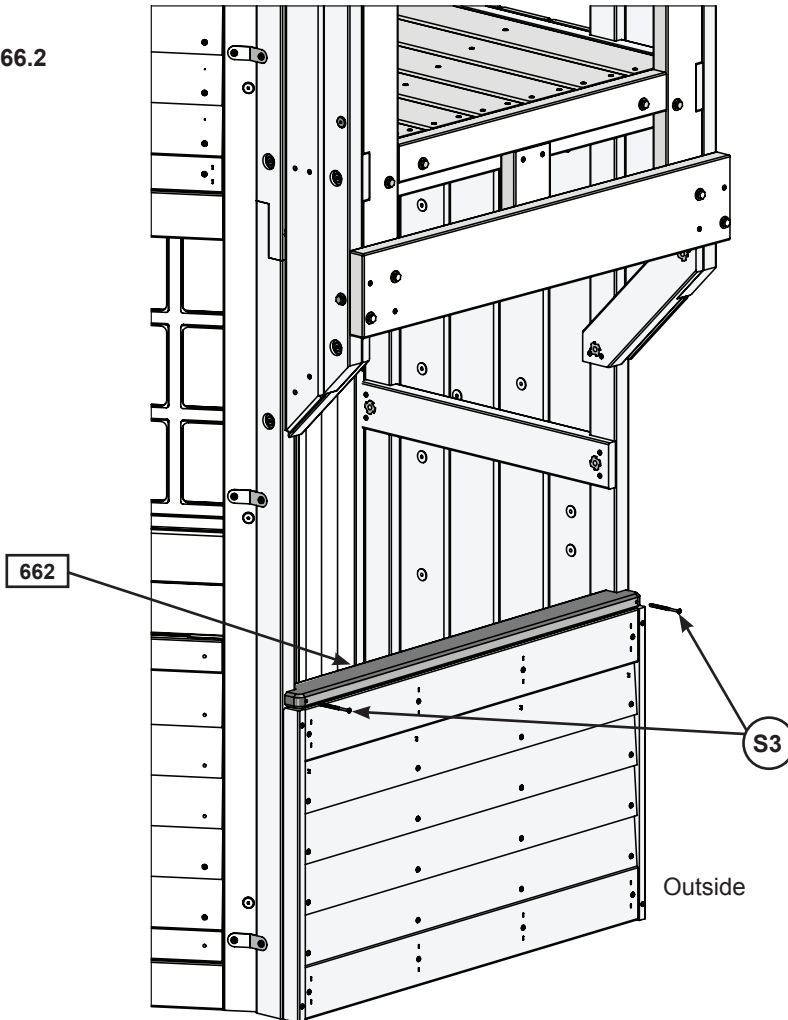
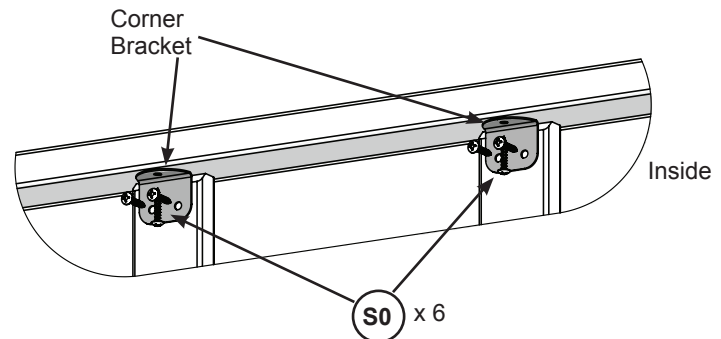


Fig. 66.3



Wood Parts

1 x 662 End Wall Top 15/16 x 2-1/4 x 33"

Hardware

2 x S3 #8 x 2-1/2" Wood Screw
6 x S0 #8 x 7/8" Truss Screw

Other Parts

2 x Corner Bracket

Step 67: Install Climbing Rope

- A:** Feed one end of the Rope through the hole in (572) Rope Support and tie a knot in that end of the rope. (Fig. 67.1 & 67.3)
- B:** Tie a second knot in the rope on the opposite side of (572) Rope Support so that the knots are tight to the board on both sides. (Fig. 67.1)
- D:** Tie 4 more knots in the rope making sure that they are evenly spaced from top to bottom. (fig. 67.4)
- C:** Feed rope through hole in bottom of (056) Rock Wall F and pull tight. Tie off the rope securely with a single knot. (fig.67.2)
- E: IMPORTANT: MAKE SURE THE ROPE IS TIGHT**

Fig. 67.1

Inside

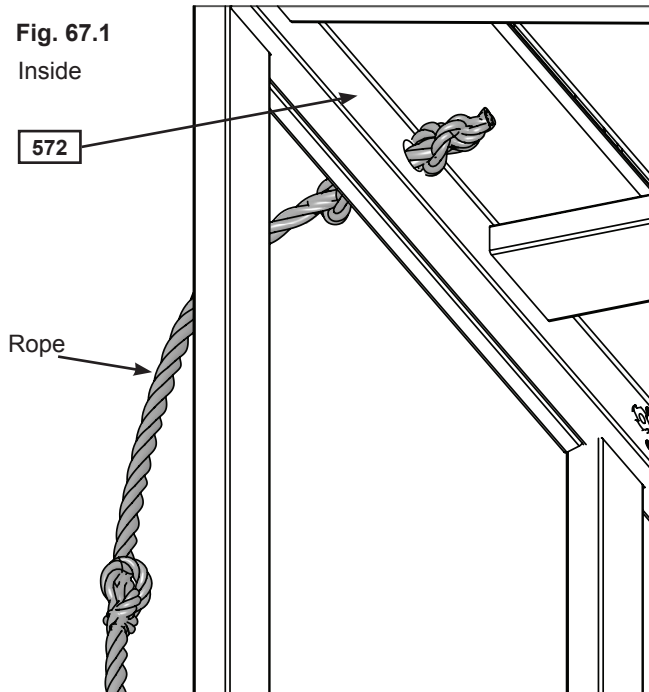


Fig. 67.4

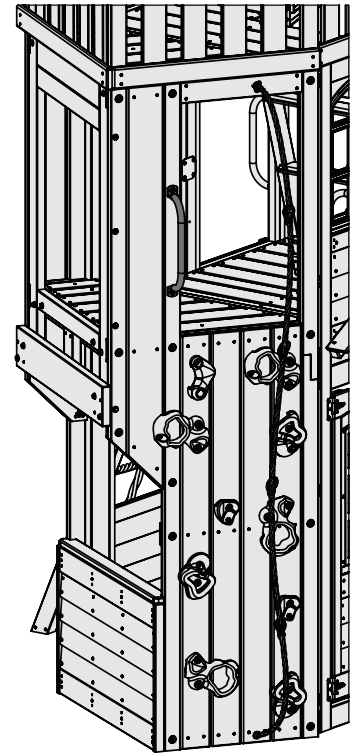


Fig. 67.2

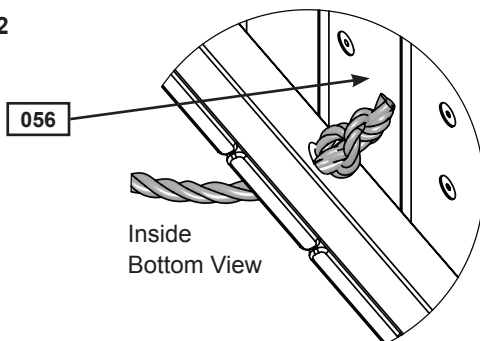


Fig. 67.3



Other Parts

1 x Rope

Step 68: Install Steering Wheel

A: On (081) SW Wall Panel attach Steering Wheel with 1 (WB10) 5/16 x 2-5/8" Wafer Bolt (with flat washer x 2 and t-nut). (Fig. 68.1 and 68.2)

Fig. 68.1

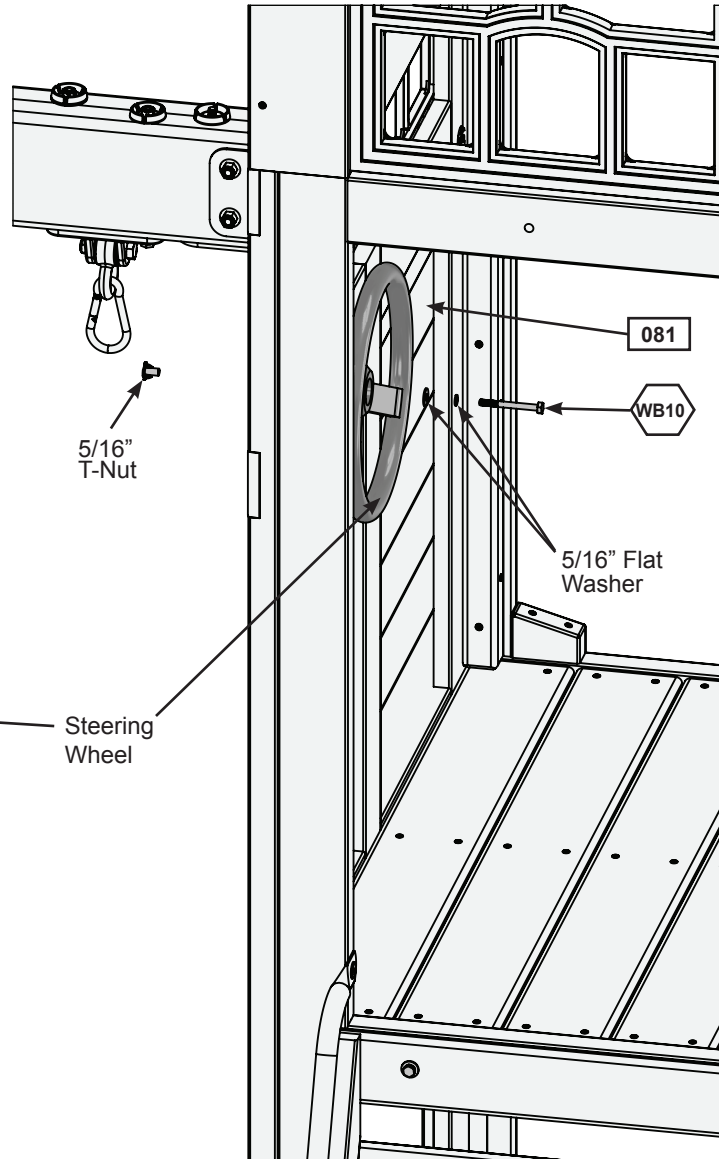
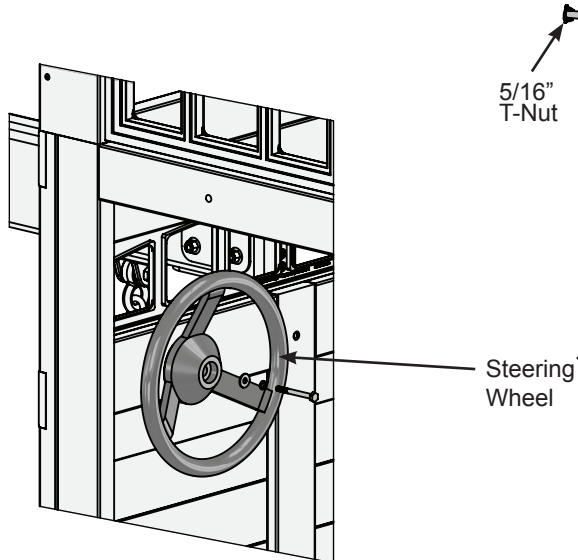



Fig. 68.2
Inside View



Hardware

1 x  5/16 x 2-5/8" Wafer Bolt
(5/16" flat washer x 2, 5/16" t-nut)

Other Parts

1 x Steering Wheel