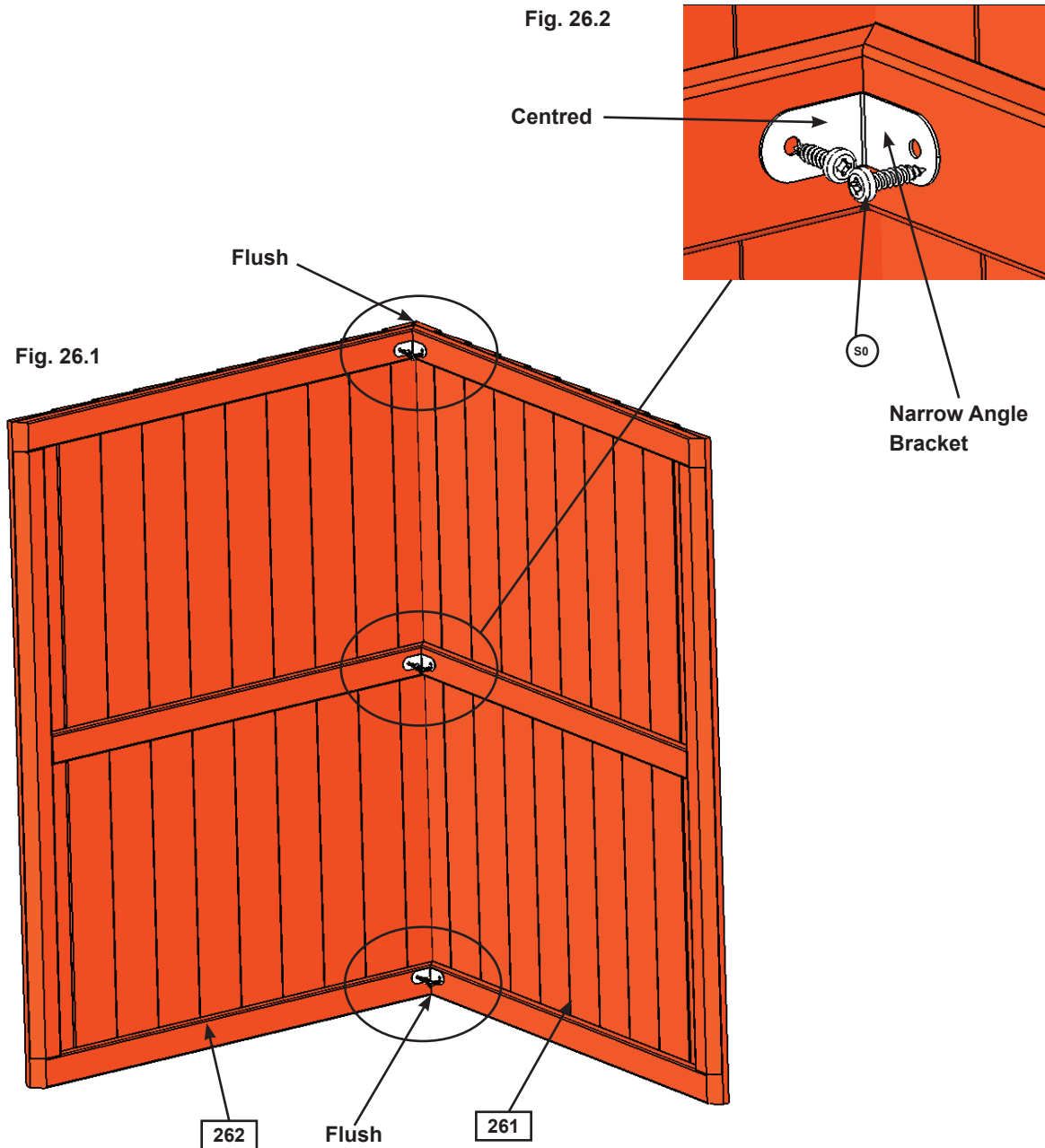


Step 26: Large Roof Assembly Part 1



A: Place (261) Front Roof Panel against (262) Back Roof Panel so the tops form a peak, then tight to the inside edge of the outside slats attach 1 Narrow Angle Bracket per slat with 2 (S0) #8 x 7/8" Truss Screws per bracket. (fig. 26.1)

B: Attach the third Narrow Angle Bracket centred on the middle slat with 2 (S0) #8 x 7/8" Truss Screws. (fig. 26.2)



Wood Parts

- 1 x 261 Front Roof Panel 1-3/16 x 36-1/2 x 44-1/2"
- 1 x 262 Back Roof Panel 1-1/4 x 32-1/4 x 45"

Hardware

- 6 x S0 #8 x 7/8" Truss Screw

Other Parts

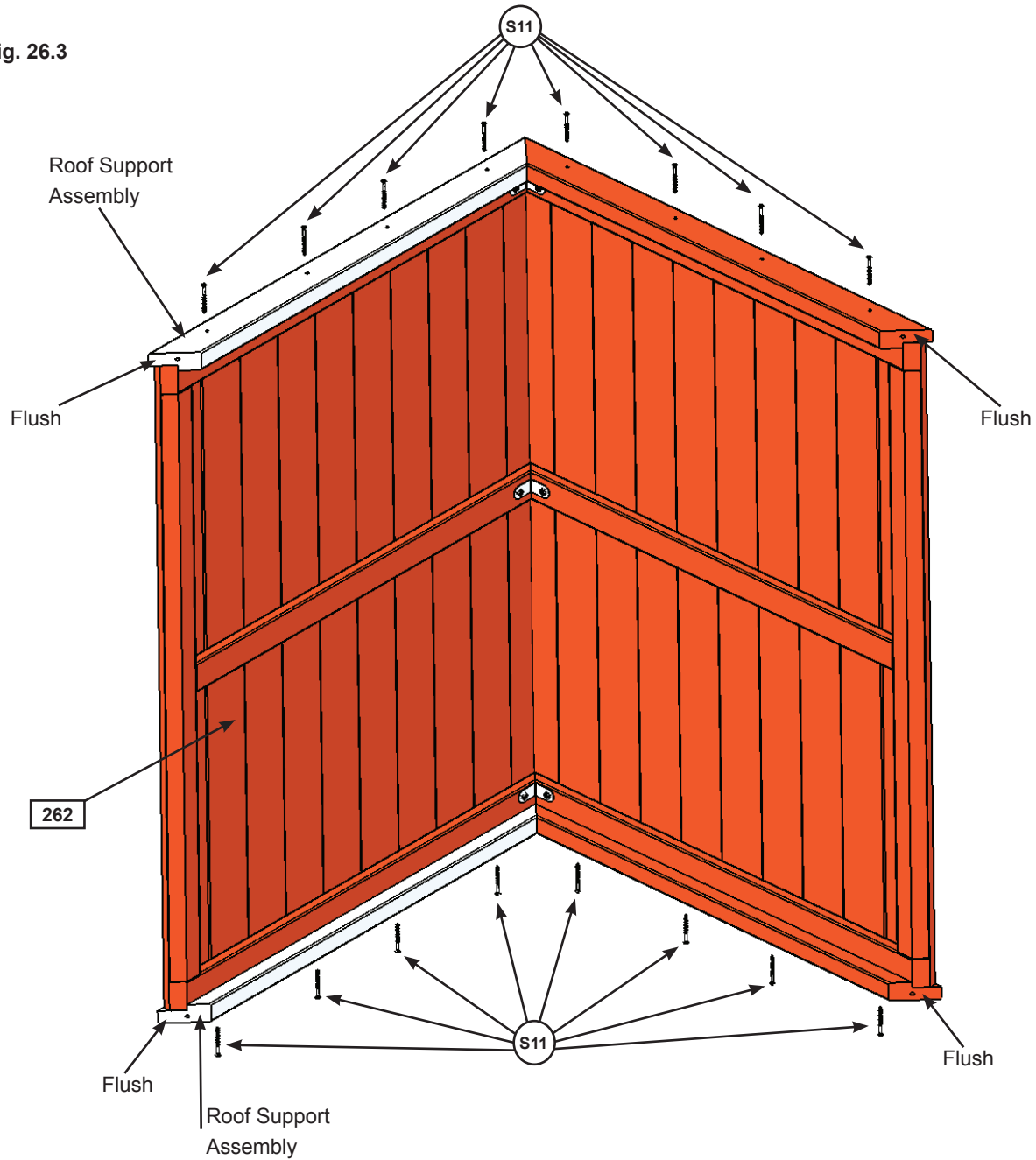
- 3 x Narrow Angle Bracket

Step 26: Large Roof Assembly Part 2


C: Place 1 Roof Support Assembly against one end of the roof panel assembly so the peaks meet and the ends of the roof supports are flush with the ends of the roof panels. Attach with 8 (S11) #8 x 2" Wood Screws. (fig. 26.3)

D: Attach the second Roof Support Assembly on the opposite side, peaks to meet and ends are flush with 8 (S11) #8 x 2" Wood Screws. (fig. 26.3)

Fig. 26.3



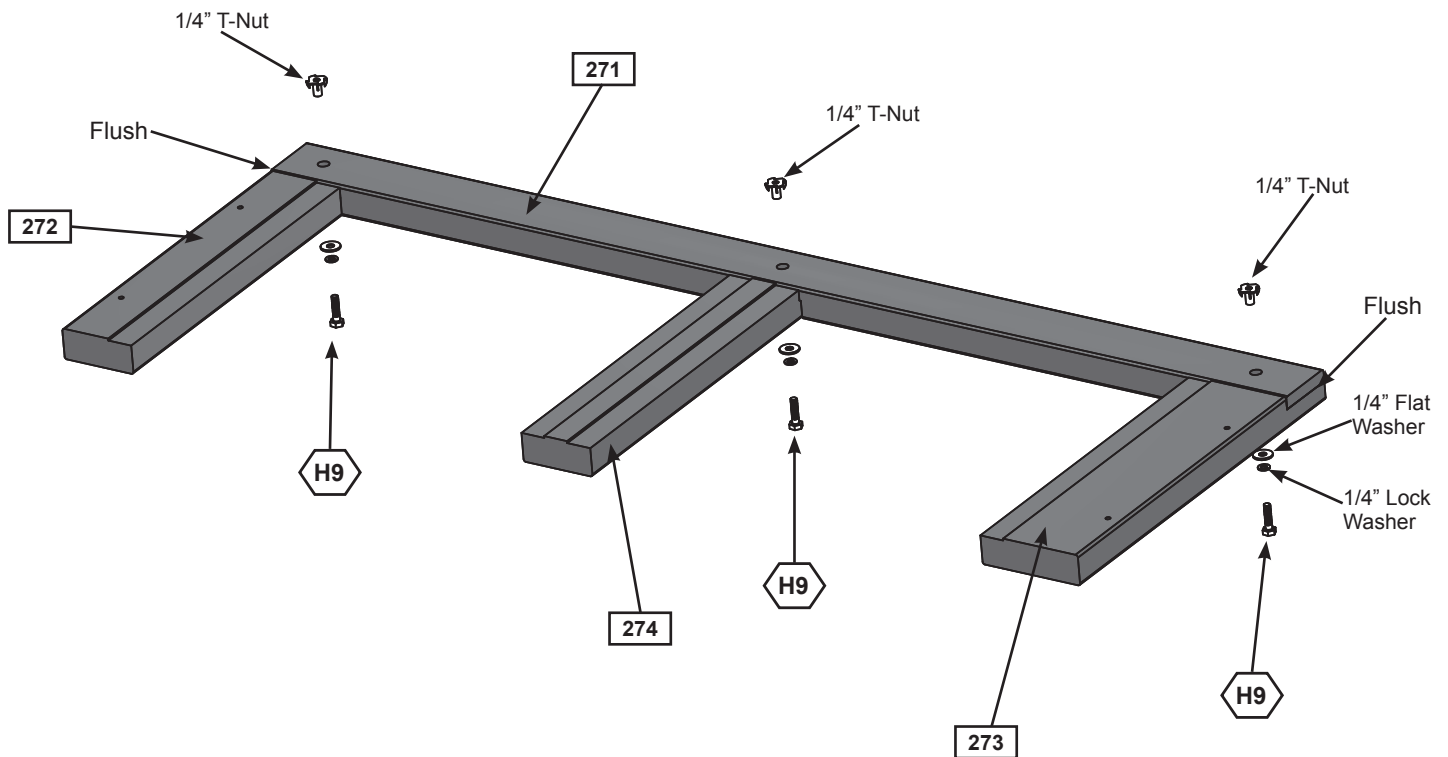
Hardware

16 x  #8 x 2" Wood Screw

Step 27: Transom Assembly Part 1

A: With the notches facing down tap 3 1/4" T-nuts into (271) TB Support then fit (273) Left Upright, (272) Right Upright and (274) Centre Upright into the notches so the ends and tops are flush. Attach with 3 (H9) 1/4 x 1-1/4" Hex Bolts (with lock washer and flat washer). (fig. 27.1)

Fig. 27.1



Wood Parts

- 2 x 271 TB Support 1-1/4 x 2-1/2 x 44-1/4"
- 2 x 272 Right Upright 1-1/4 x 3 x 16-1/2"
- 2 x 273 Left Upright 1-1/4 x 4-1/4 x 16-1/2"
- 2 x 274 Centre Upright 1-1/4 x 3 x 16-1/2"

Hardware

- 6 x H9 1/4 x 1-1/4" Hex Bolt
(1/4" lock washer, 1/4" flat washer, 1/4" t-nut)

Step 27: Transom Assembly Part 2

B: Place 2 MOD 5 Pane Windows in the openings and attach to (272) Right Upright, (273) Left Upright and (274) Centre Upright with 4 (S0) #8 x 7/8" Truss Screws per window. (fig. 27.2)

C: Attach (275) Wall Tie flush to the top of (271) TB Support and to (274) Centre Upright with 4 (S11) #8 x 2" Wood Screws. (fig. 27.3)

D: Repeat Steps A-C for a second Transom Assembly.

Fig. 27.2

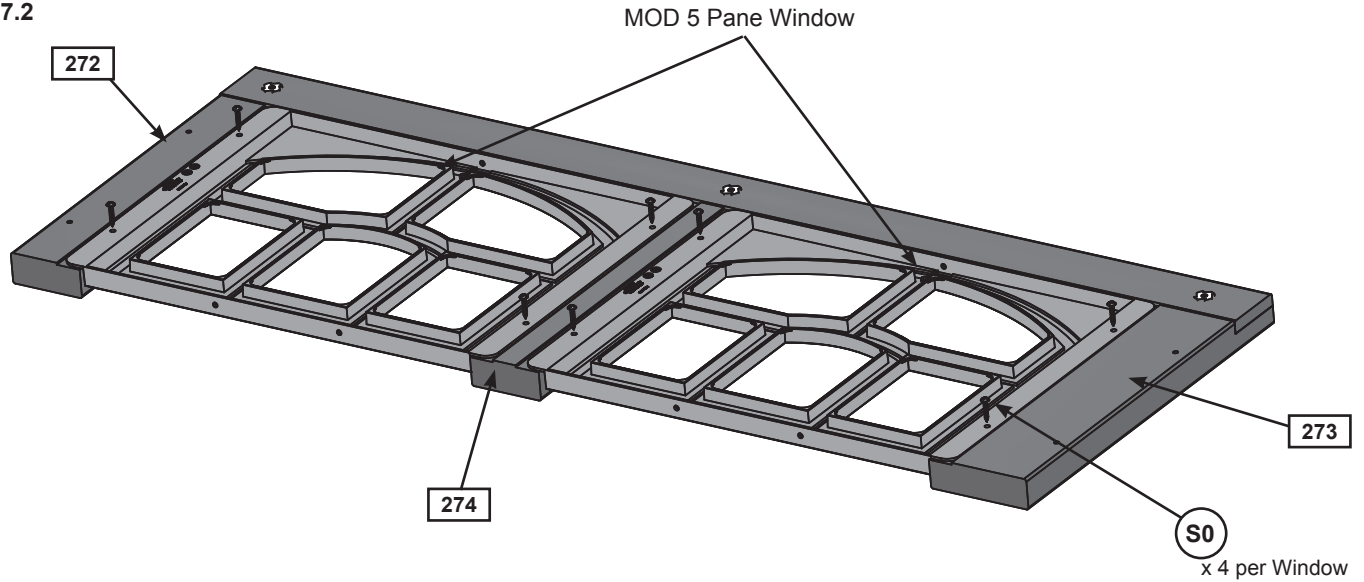
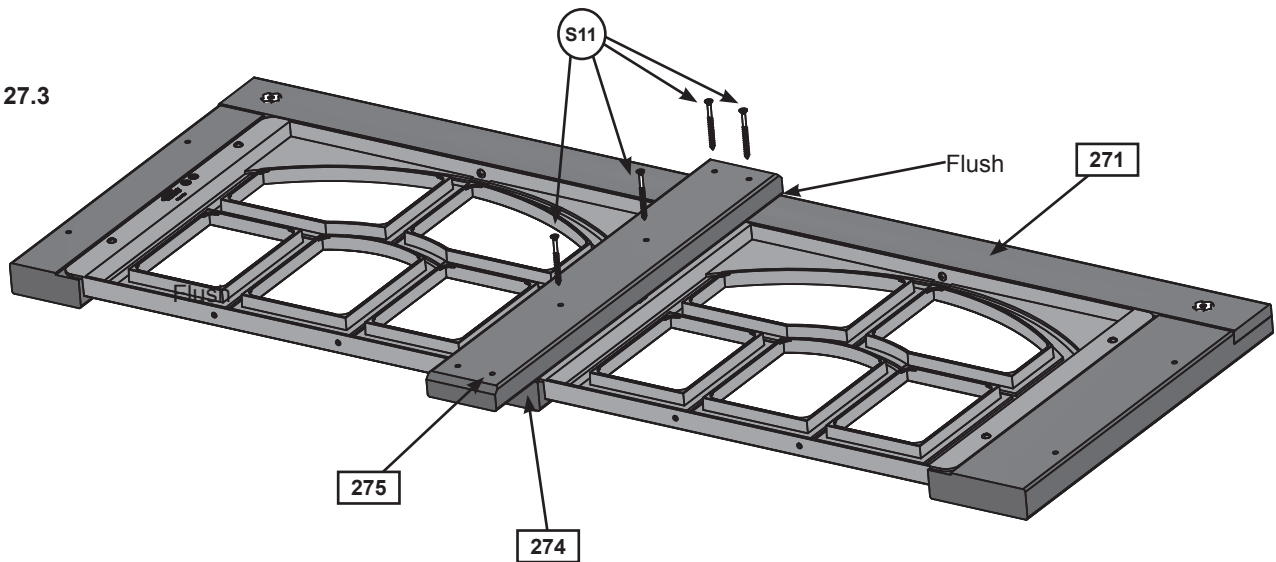


Fig. 27.3



Wood Parts

2 x **275** Wall Tie 15/16 x 3 x 19-1/4"

Hardware

16 x **S0** #8 x 7/8" Truss Screw

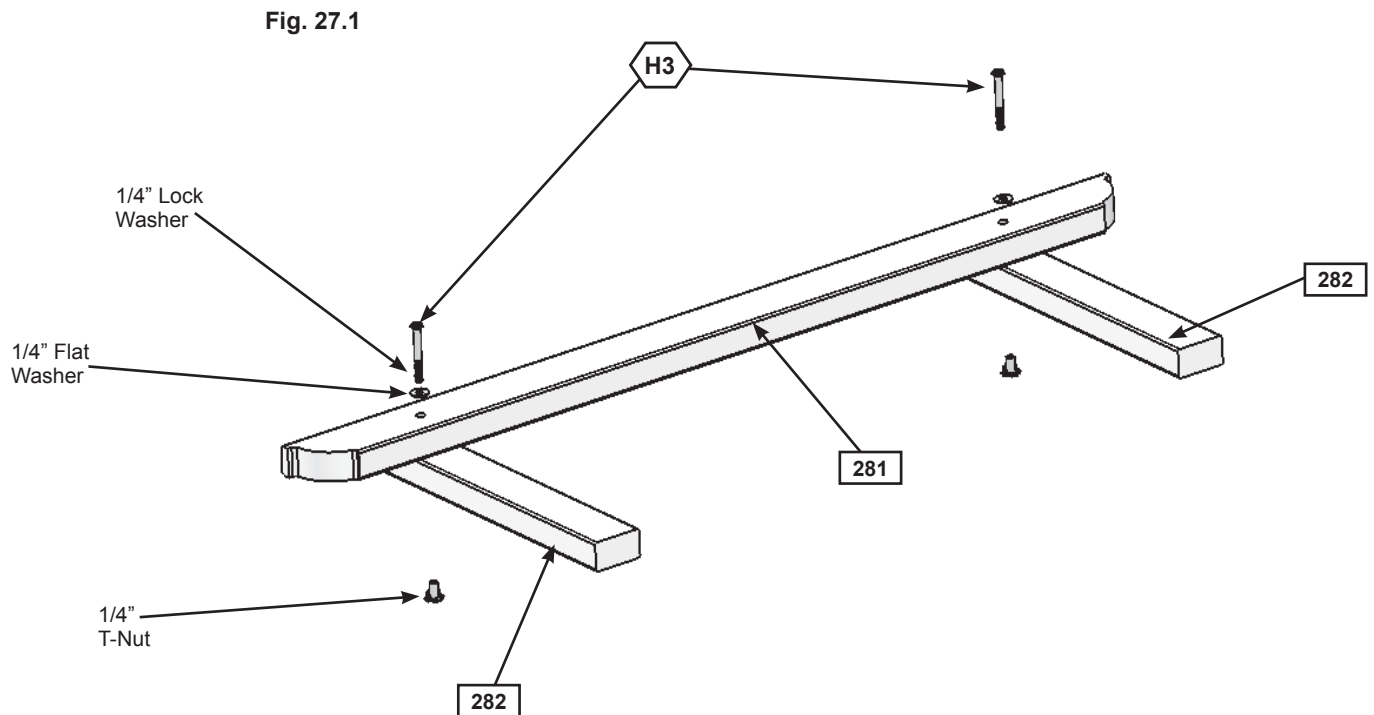
8 x **S11** #8 x 2" Wood Screw

Other Parts

4 x MOD 5 Pane Window

Step 28: Swing Top Assembly

A: Attach (281) Swing Top to 2 (282) Swing Side Uprights with 2 (H3) 1/4 x 2-1/2" Hex Bolts (with lock washer, flat washer and t-nut). (fig. 28.1)



Wood Parts

- 1 x 281 Swing Top 1-1/4 x 3 x 46-3/4"
- 2 x 282 Swing Side Upright 1-1/4 x 2-1/2 x 16-1/2"

Hardware

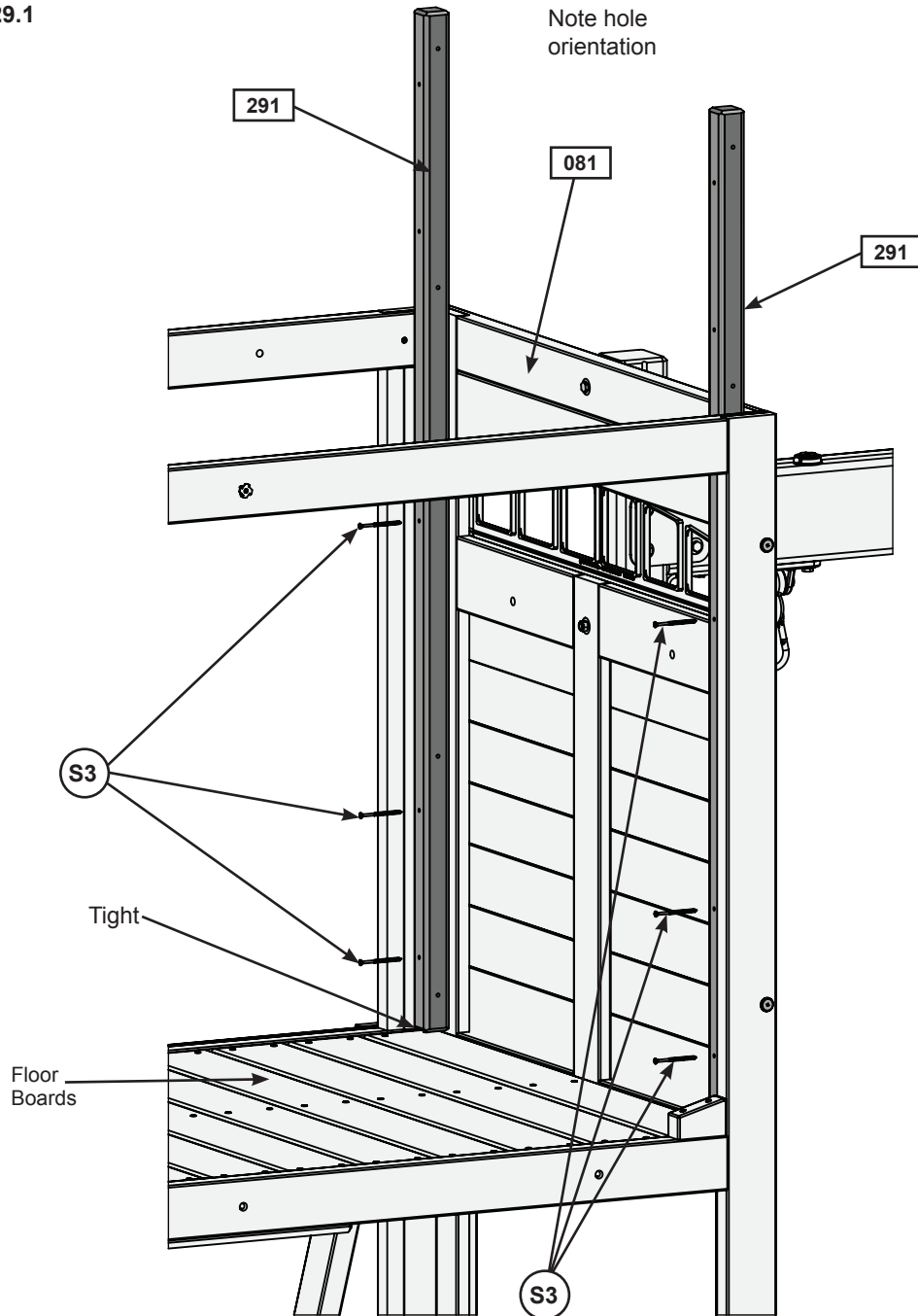
- 2 x H3 1/4 x 2-1/2" Hex Bolt
(1/4" lock washer, 1/4" flat washer, 1/4" t-nut)

Step 29: Attach Wall Supports

Note hole orientation for this step.

A: Tight to the floor boards and tight in each corner of the (081) SW Wall Panel attach 2 (291) Wall Supports to (081) SW Wall Panel with 3 (S3) #8 x 2-1/2" Wood Screws per support. (fig. 29.1)

Fig. 29.1



Wood Parts

2 x **291** Wall Support 1-1/2 x 1-1/2 x 55-1/2"

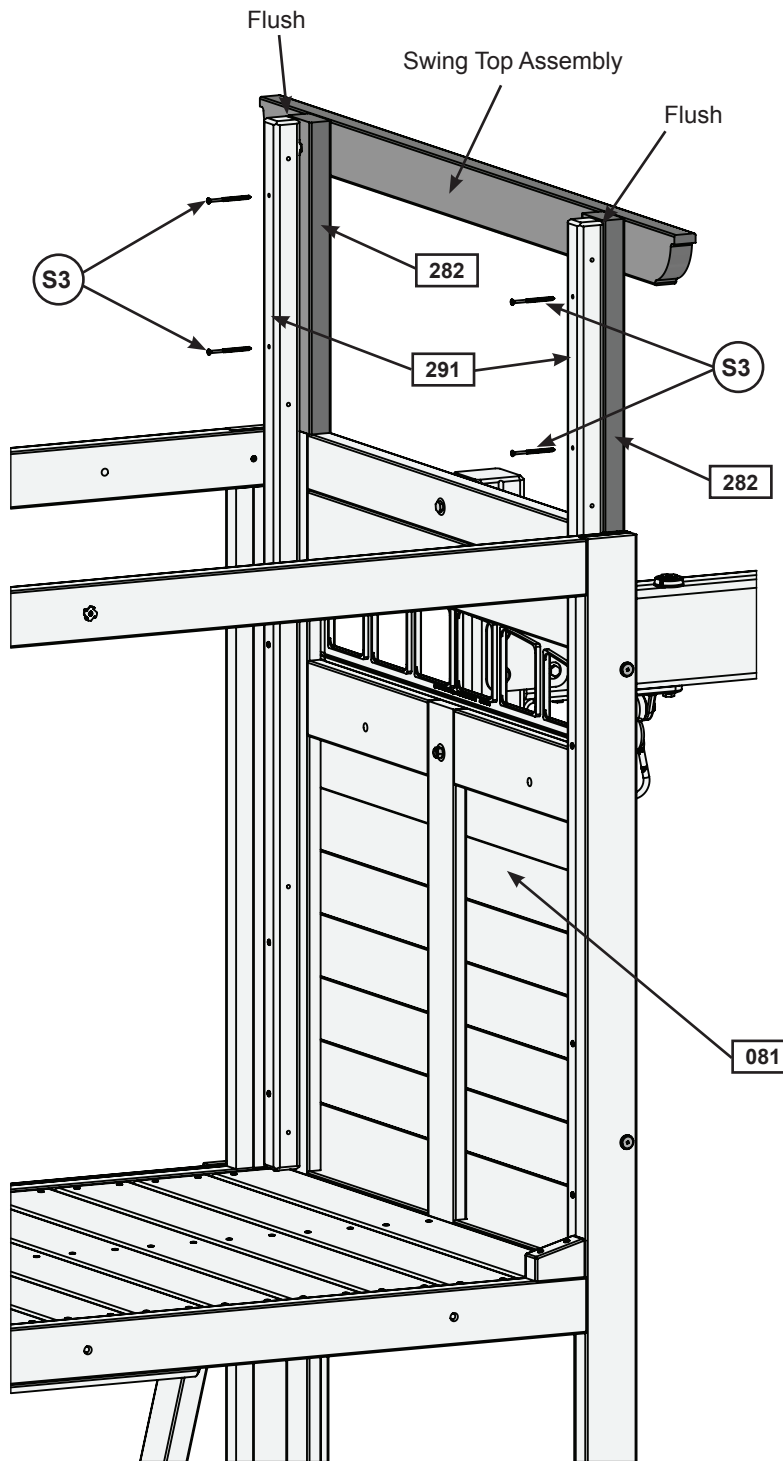
Hardware

6 x **S3** #8 x 2-1/2" Wood Screw

Step 30: Attach Swing Top Assembly

A: Tight to the top of (081) SW Wall Panel and flush to the outside of each (291) Wall Support place Swing Top Assembly then attach (291) Wall Supports to (282) Swing Side Uprights with 2 (S3) #8 x 2-1/2" Wood Screws per support. (fig. 30.1)

Fig. 29.1



Hardware

4 x (S3) #8 x 2-1/2" Wood Screw

Step 31: Attach Transom Assembly Part 1

A: Place 1 Transom Assembly on both (082) Front Wall Panel and (083) Back Wall Panel so they are tight to (281) Swing Top and (291) Wall Supports. From the outside attach each Transom Assembly to (291) Wall Supports with 2 (S3) #8 x 2-1/2" Wood Screws per assembly. (fig. 31.1)

B: From the inside attach (291) Wall Supports to each Transom Assembly and both (082) Front Wall Panel and (083) Back Wall Panel with 4 (S3) #8 x 2-1/2" Wood Screws per support. (fig. 31.2)

C: From the inside attach each (275) Wall Tie to both (082) Front Wall Panel and (083) Back Wall Panel with 2 (S11) #8 x 2" Wood Screws per board. (fig. 31.2)

Fig. 31.1

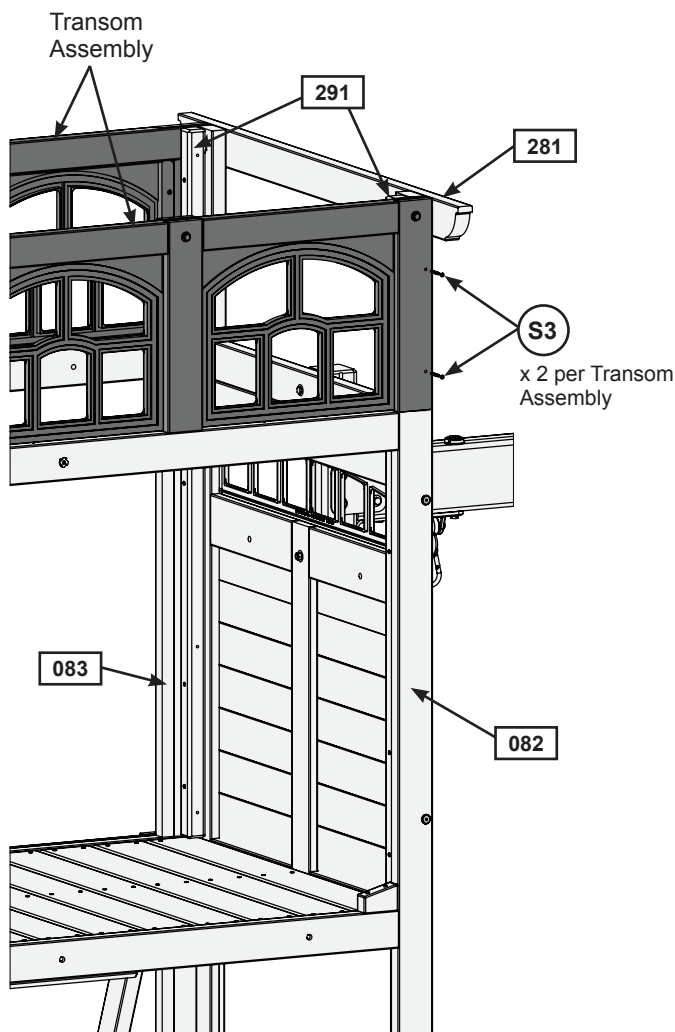
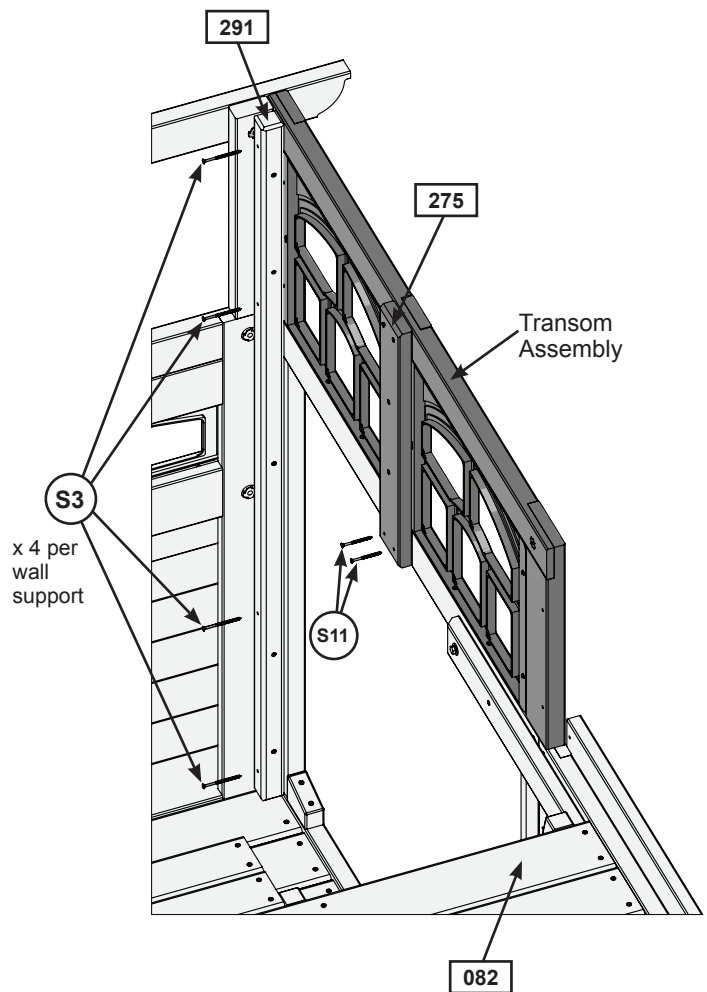


Fig. 31.2
Inside View



Hardware

12 x (S3) #8 x 2-1/2" Wood Screw

4 x (S11) #8 x 2" Wood Screw

Step 31: Attach Transom Assembly Part 2

D: Attach the top of each MOD 5 Pane Window to each (271) TB Support with 1 (S0) #8 x 7/8" Truss Screw per window then attach bottom of windows to (082) Front Wall Panel and (083) Back Wall Panel with 2 (S0) #8 x 7/8" Truss Screws per window. (fig. 31.3 and 31.4)

Fig. 31.3

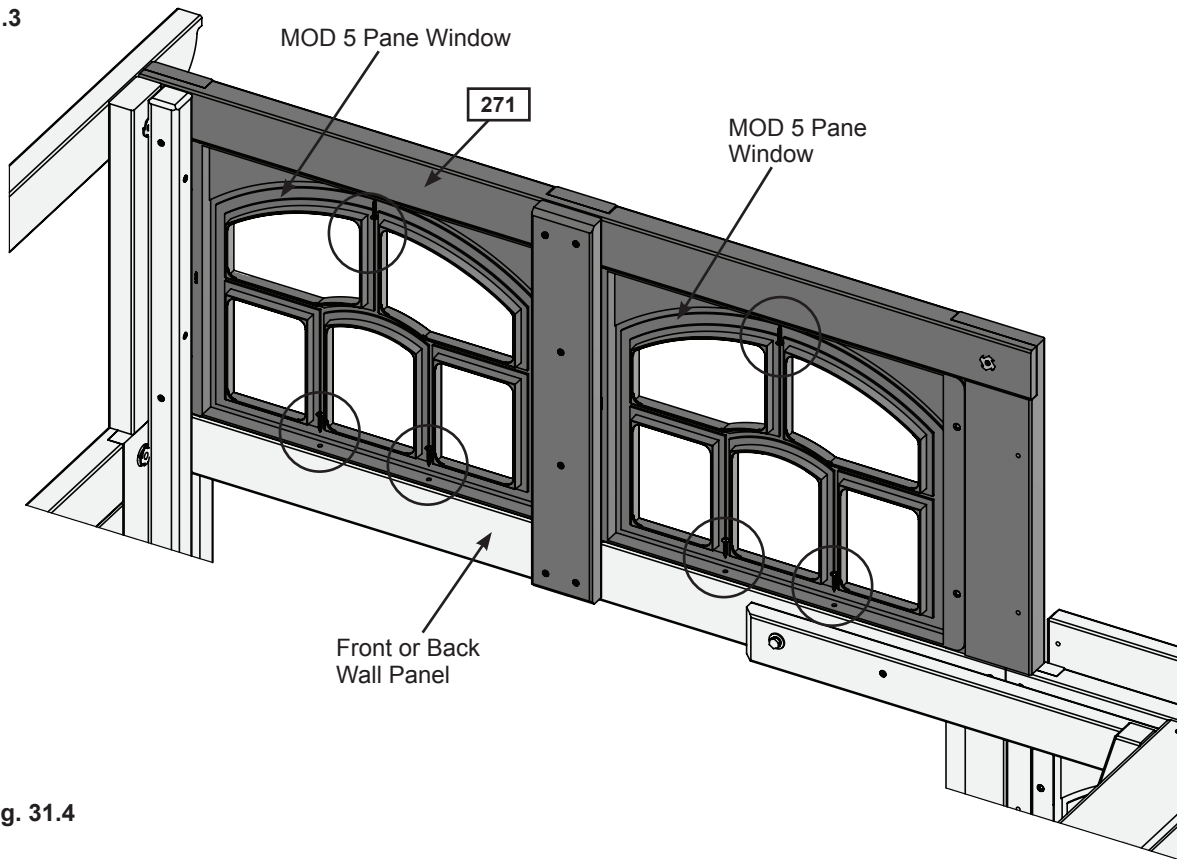
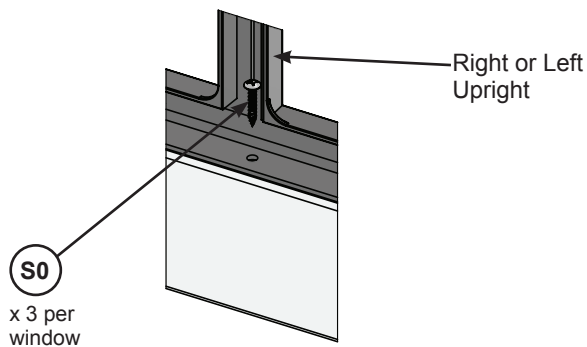


Fig. 31.4



Hardware

12 x (S0) #8 x 7/8" Truss Screw

Step 32: Attach Swing Top Small

A: Flush to the inside edge of each transom assembly attach 1 (321) Swing Top Small using 2 (S3) #8 x 2-1/2" Wood Screws per side. (Fig. 32.1 and 32.2)

Fig. 32.1

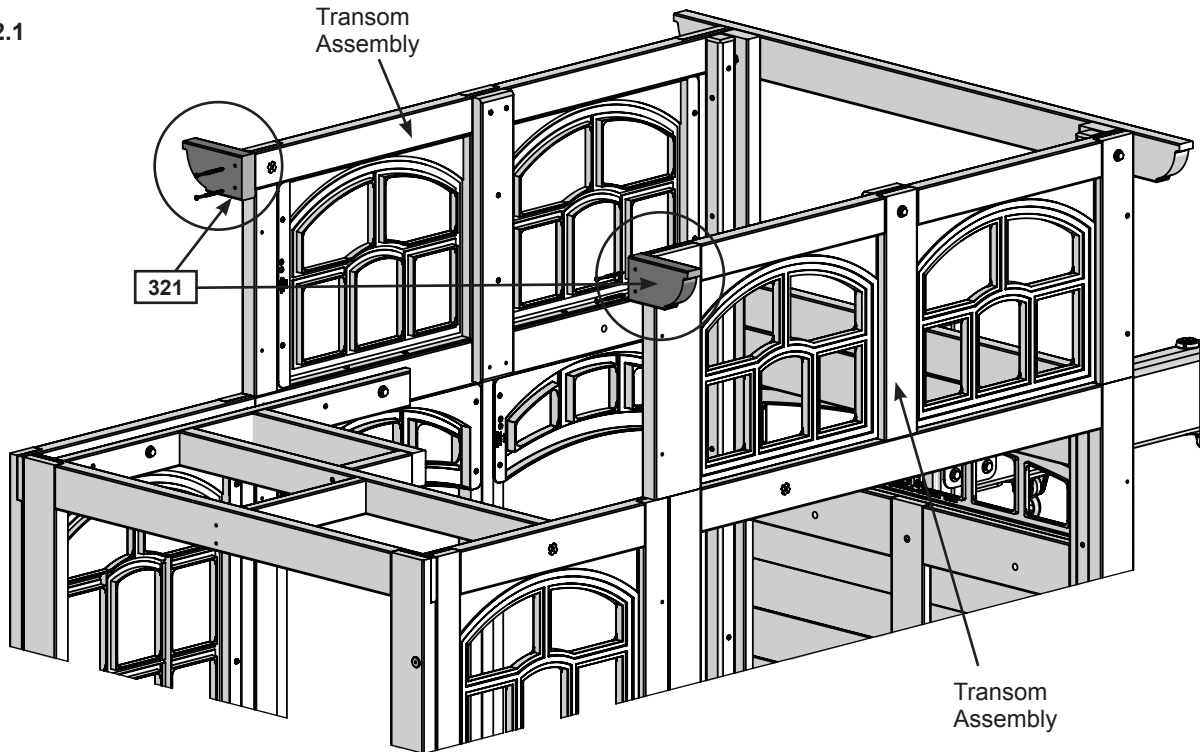
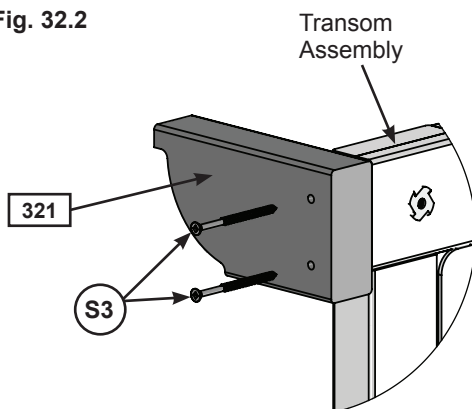


Fig. 32.2



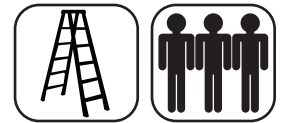
Wood Parts

2 x **321** Swing Top Small 1-1/4 x 3 x 5-15/32"

Hardware

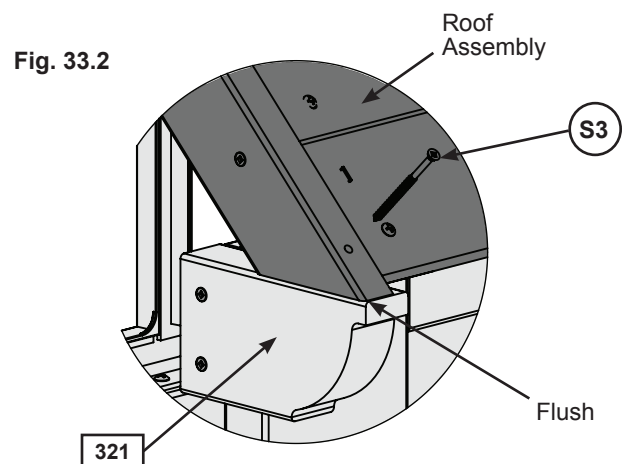
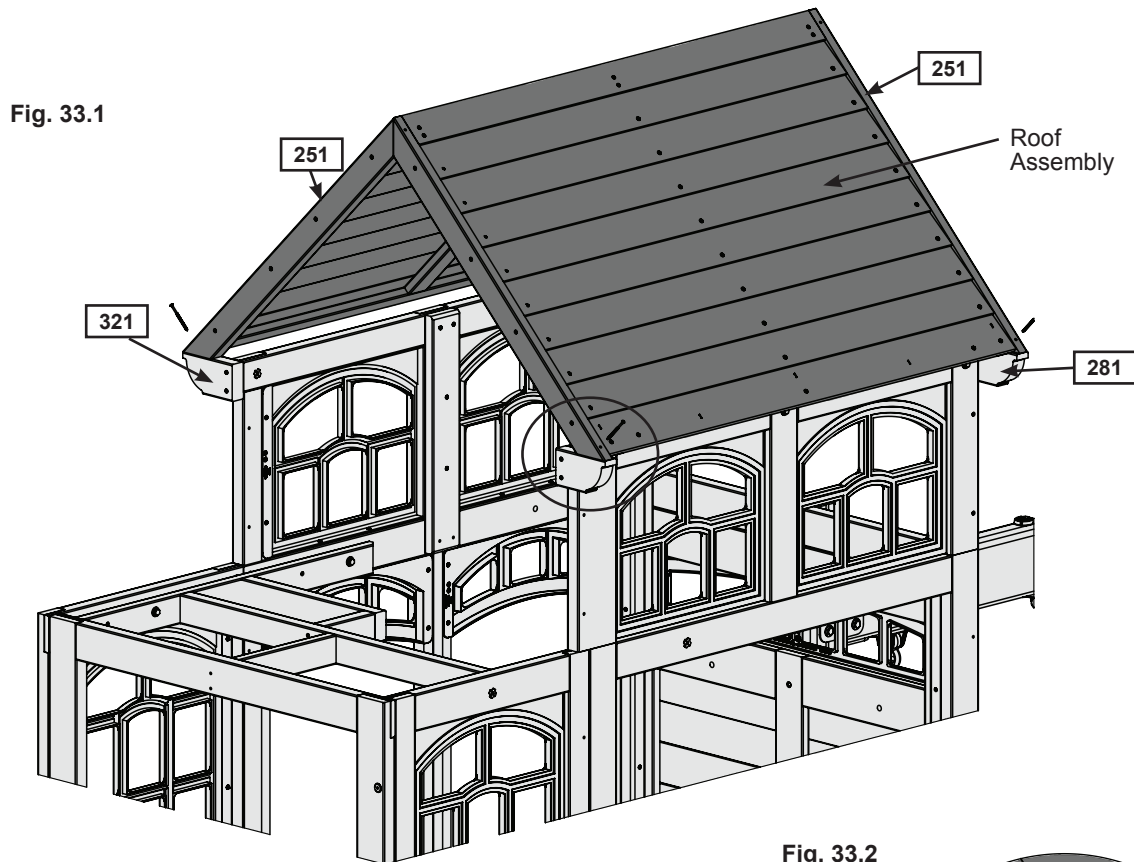
4 x **S3** #8 x 2-1/2" Wood Screw

Step 33: Attach Large Roof Assembly



A: With 2 people on the ground and at least 1 person in the fort, lift the Large Roof Assembly up and over the Back side of the fort. Guide the Roof Assembly onto the fort so all four (251) Roof Supports sit flush to the front and outside edges of (281) Swing Top and the (321) Swing Top Small. (fig. 33.1 and 33.2)

B: Attach (251) Roof Supports to (281) Swing Top and (321) Swing Top Small with 1 (S3) #8 x 2-1/2" Wood Screw per support. (fig. 33.1 and 33.2)



Hardware

4 x (S3) #8 x 2-1/2" Wood Screw

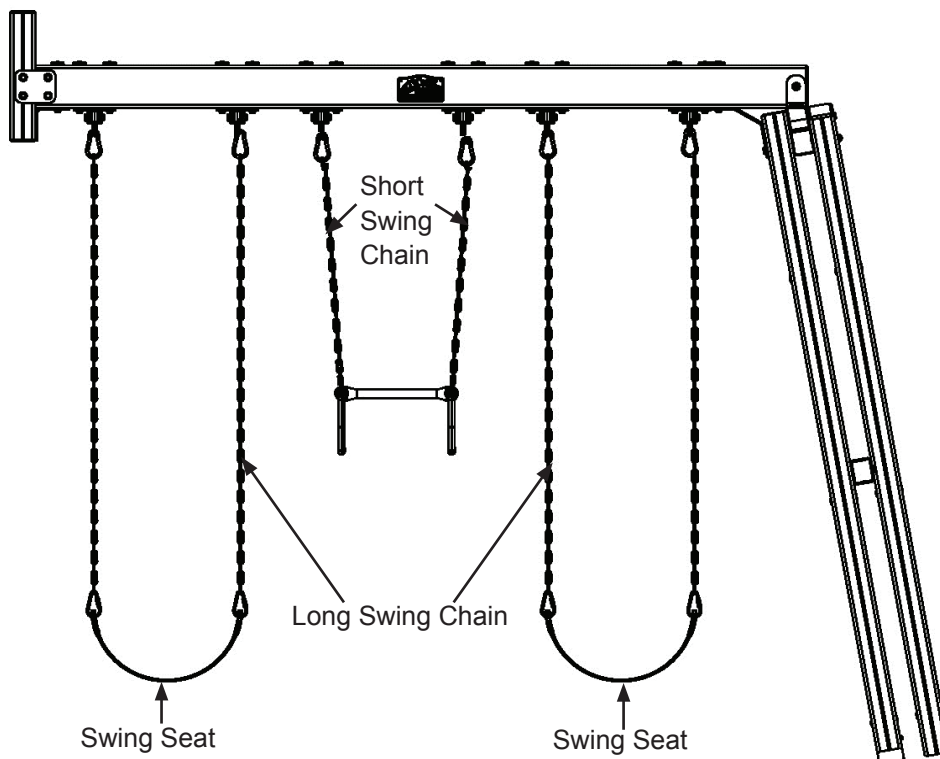
Step 34: Attach Swings

A: Using 1 Threaded Quick Link per chain, join 1 Long Swing Chain to each side of the Swing Belt Seat. Make sure to close the Threaded Quick Link tightly using an adjustable wrench. (fig. 34.1 and 34.2).

B: Using 1 Threaded Quick Link per chain, join the Short Swing Chain to the Acro Bar and Acro Handle. Make sure to close the Threaded Quick Link tightly using an adjustable wrench. (fig. 34.2 and 34.3)

C: Attach the other end of the swing chains to the Spring Loaded Quick Links attached to the Heavy Duty Swing Hangers. (fig. 34.1)

Fig. 34.1



Caution: Threaded Quick Links must be installed with the gate completely down covering the threads and tighten as instructed. (fig. 34.2)

Fig. 34.2

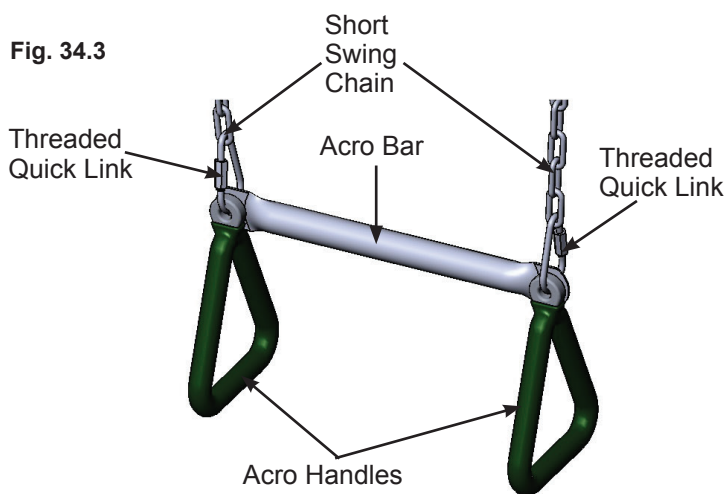


Threaded Quick Links attach to seat and Acro bar.



Tighten Threaded Quick Link using adjustable wrench

Fig. 34.3



Other Parts

- 1 x Acro Bar
- 2 x Acro Handle
- 2 x Swing Belt Seat
- 2 x Short Swing Chain
- 4 x Long Swing Chain
- 6 x Threaded Quick Link

Step 35: Assemble and Attach BBQ Kitchen Part 1



A: On (082) Front Wall place BBQ Base on (182) Table Top. Use BBQ Cooktop as a guide so there is enough room for BBQ Cooktop and 1" gap to the edge of the wall to the left of BBQ Base. Attach BBQ Base to (182) Table Top with 4 (S0) #8 x 7/8" Truss Screws. (fig. 35.1, 35.2 and 35.3)

B: Snap BBQ Lid on to the back of BBQ Base. (fig. 35.4)

Fig. 35.1

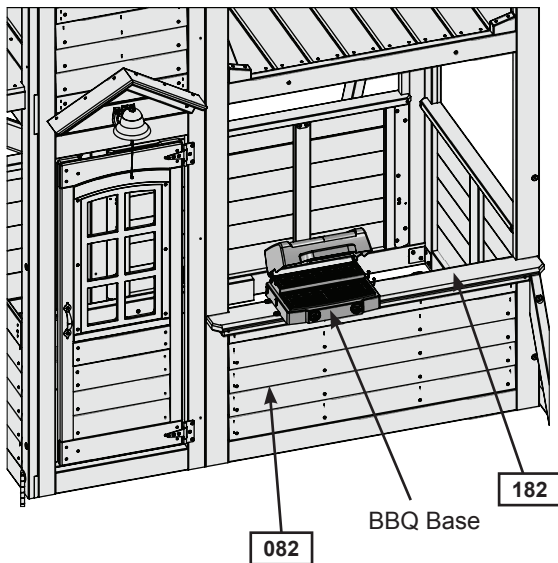


Fig. 35.2

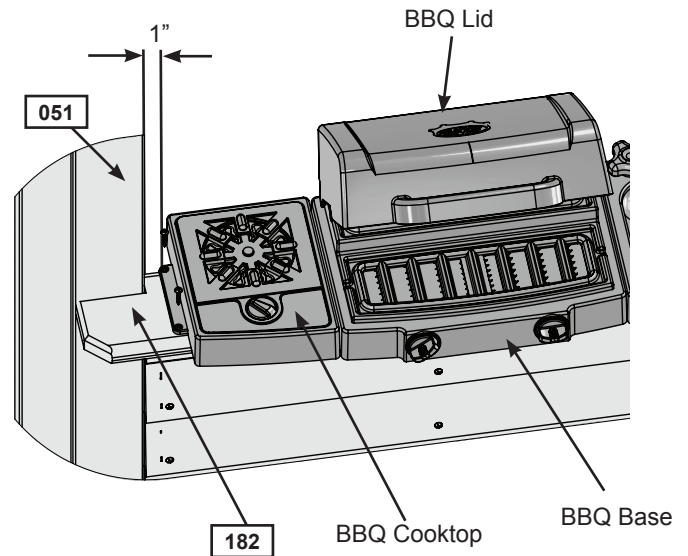


Fig. 35.3

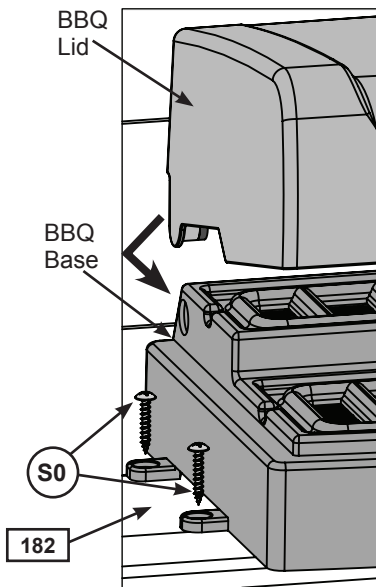
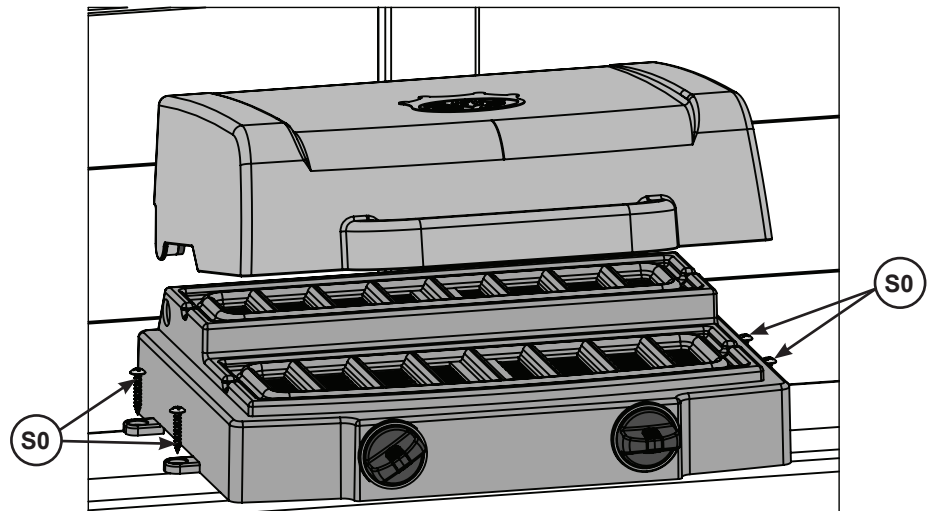


Fig. 35.4



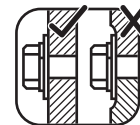
Hardware

4 x (S0) #8 x 7/8" Truss Screw

Other Parts

1 x BBQ Base
1 x BBQ Lid

Step 35: Assemble and Attach BBQ Kitchen Part 2



C: Place Faucet and 2 Sink Knobs in opening of Sink and attach Sink Knobs with included hardware. (fig. 35.5)
Important: Use a hand held screw driver and **DO NOT** over tighten.

D: Slide BBQ Cooktop tight beside BBQ Base on the left and BBQ Sink Set tight on the right. Attach both BBQ Cooktop and BBQ Sink Set to (182) Table Top with 2 (S0) #8 x 7/8" Truss Screws each. (fig. 35.6, 35.7, 35.8 and 35.9)

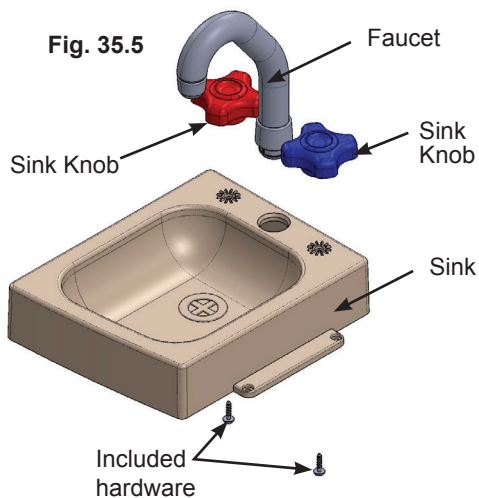


Fig. 35.6

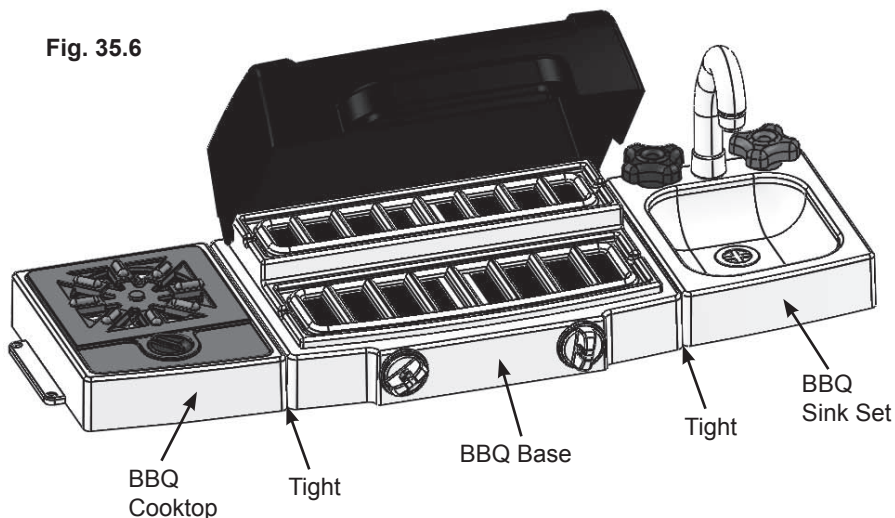


Fig. 35.7
Top View

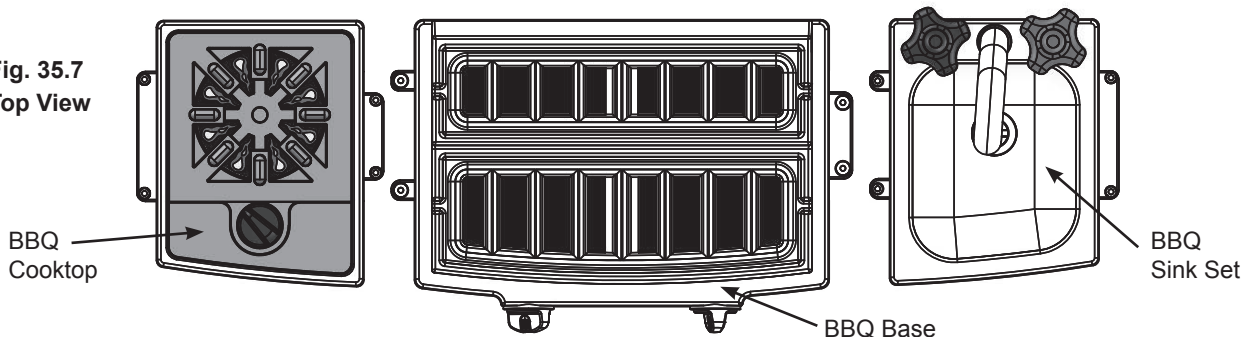


Fig. 35.8

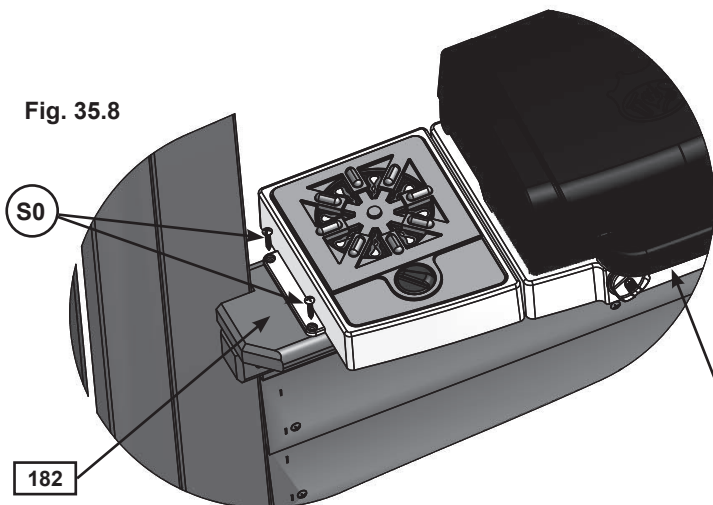
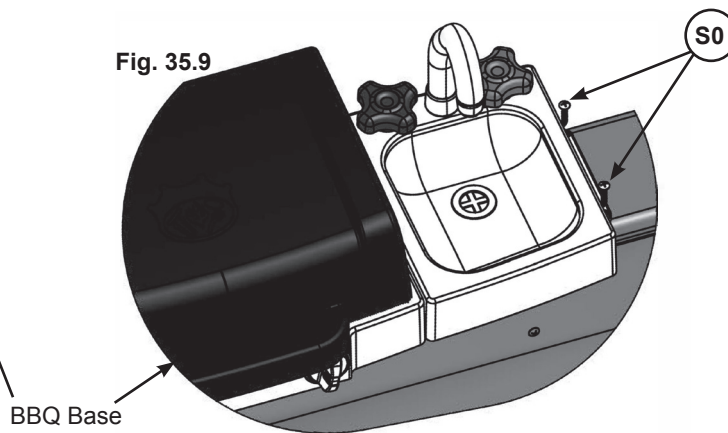


Fig. 35.9



Hardware

4 x (S0) #8 x 7/8" Truss Screw

Other Parts

1 x BBQ Cooktop
 1 x BBQ Sink Set

Step 36: Attach Utensil Shelves Part 1



A: From outside the assembly in the top of the opening of (082) Front Wall Panel, 1" in from the panel, attach 1 Utensil Shelf with 2 (S0) #8 x 7/8" Truss Screws as shown in fig. 36.1 and 36.2.

B: Attach Sign to the Utensil Shelf. (fig. 35.3)

Fig. 36.1

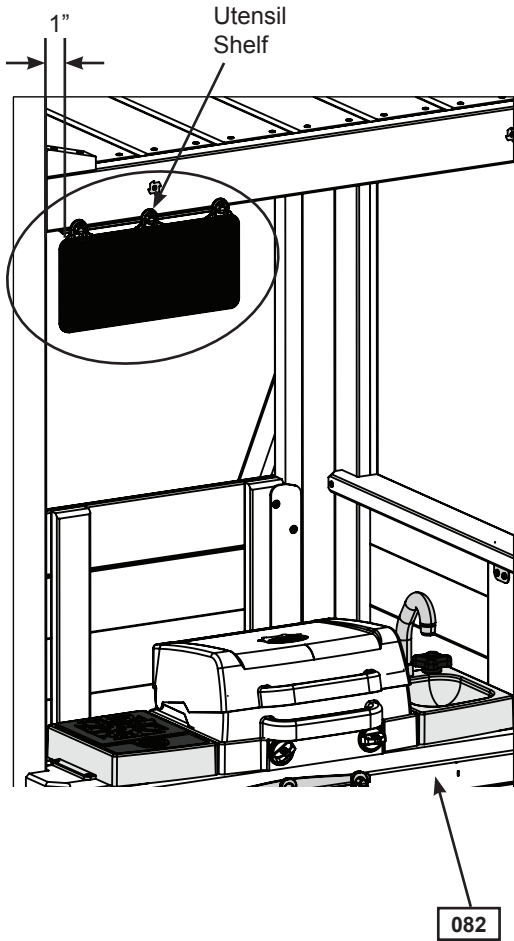


Fig. 36.2

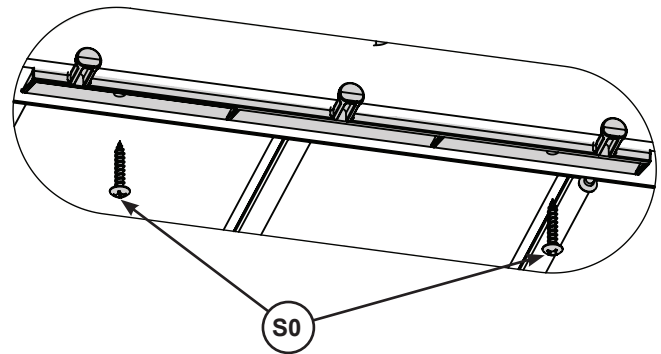
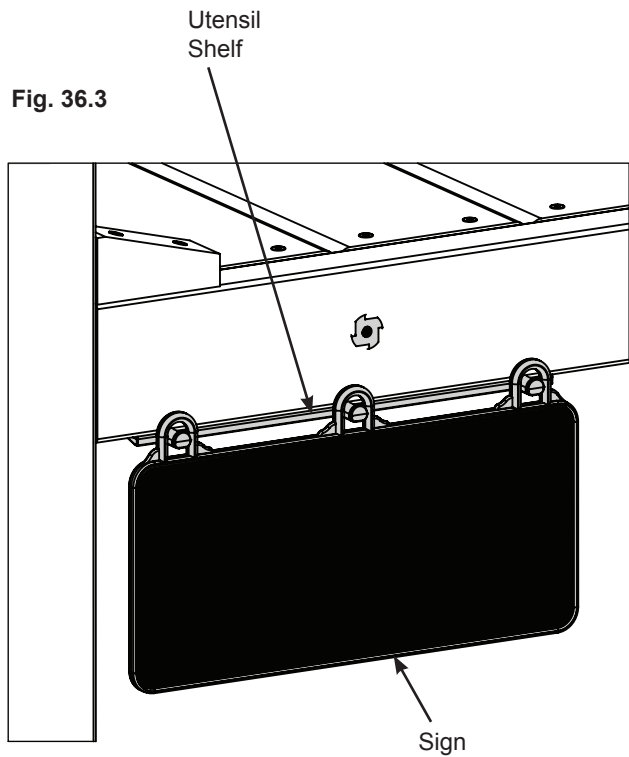


Fig. 36.3



Hardware

2 x (S0) #8 x 7/8" Truss Screw

Other Parts

1 x Utensil Shelf
1 x Sign

Step 36: Attach Utensil Shelves Part 2

C: From outside the assembly, centred below the BBQ Kitchen attach 1 Utensil Shelf to (181) Table Support with 2 (S0) #8 x 7/8" Truss Screws as shown in fig. 36.4 and 36.5.

D: Attach Pan, Tongs and Spatula to the Utensil Shelf. (fig. 36.6)

E: Place Basket next to BBQ Kitchen on (182) Table Top. (fig. 36.7)

Fig. 36.4

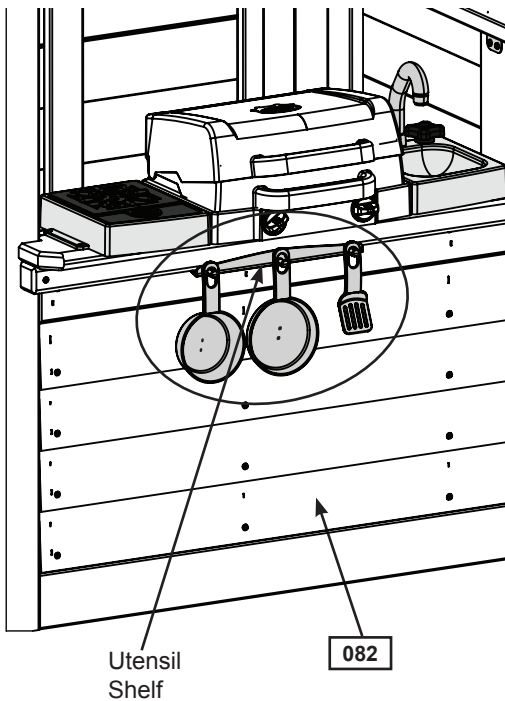


Fig. 36.5

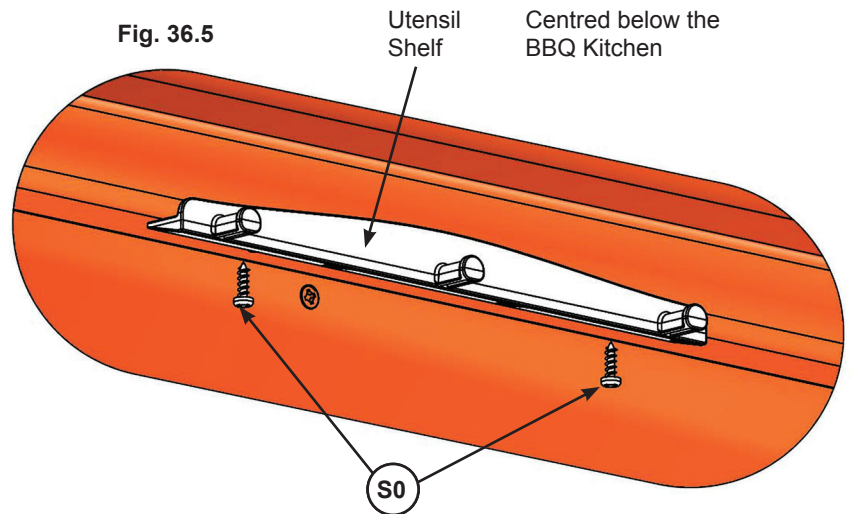


Fig. 36.6

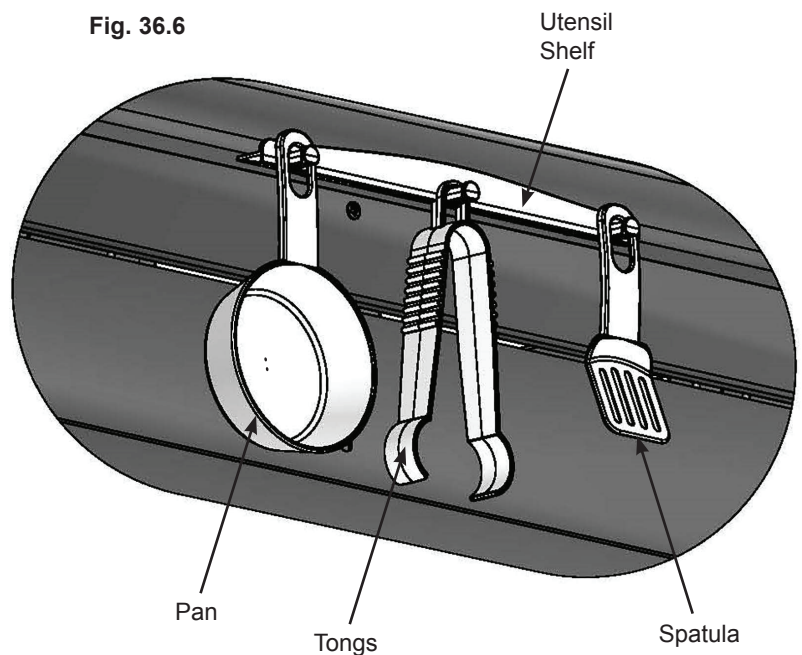


Fig. 36.7



Hardware

2 x (S0) #8 x 7/8" Truss Screw

Other Parts

1 x Utensil Shelf
1 x BBQ Utensils
1 x Basket with Fruit

Step 37: Attach Slides to Fort



Note: Pre-drill all holes using a 1/8" drill bit before installing the pan screws.

A: Place Slide centred in the opening of the (082) Front Wall Panel. (fig. 37.1)

B: Attach slide to fort using 4 (S7) #12 x 2" Pan Screws. (fig. 37.2)

Fig. 37.1

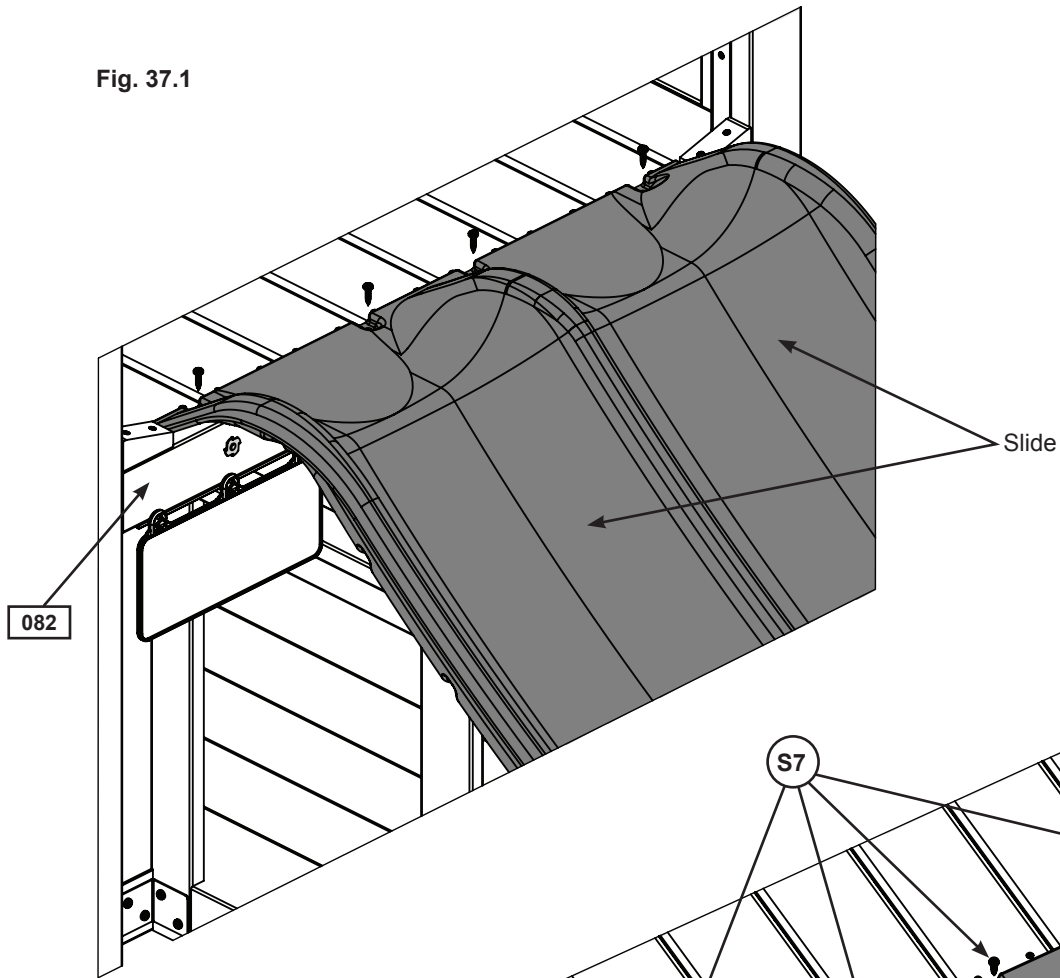
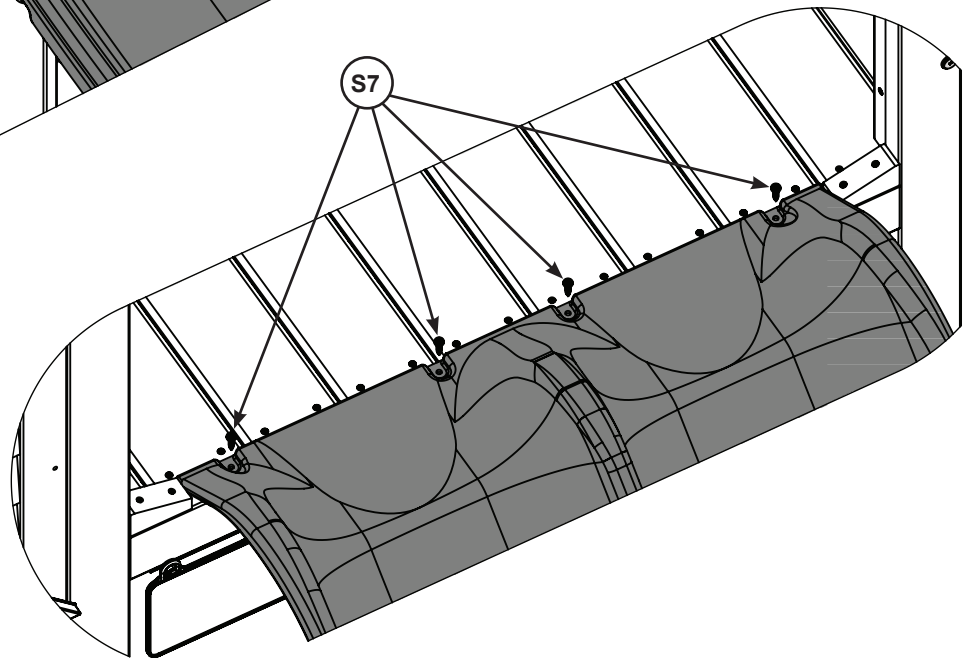



Fig. 37.2



Hardware

4 x  #12 x 2" Pan Screw

Other Parts

1 x Maze N Wave Double Slide Yellow

Step 38: Install Nest Wall Joists



A: Measure 5/8" (15.9mm) down from the top of the End Wall and place 1 (381) Nest Floor Joist A so that the 2 pre-drilled holes are on the left side. Before attaching the Nest Joist make sure that it measures 1-7/8" (47.1mm) from the left edge of the assembly and 1-15/32" (35.5mm) from the right edge. Attach using 6 (S11) #8 x 2" Wood Screws. (fig. 38.1, 38.2 and 38.3)

B: Place (382) Nest Wall Spacer in the opening of the End Wall Panel so that it sits against the floorboards and is flush with the End Panel. (fig. 38.1 and 38.3)

C: Measure 5/8" (15.9mm) down from the top of (382) Nest Wall Spacer and place 1 (381) Nest Floor Joist A so that the 2 pre-drilled holes are on the left side, making sure to maintain a measurement of 1-7/8" (47.1mm) from the left edge of the assembly and 1-15/32" (35.5mm) from the right edge. Attach (381) Nest Floor Joist A and (382) Nest Wall Spacer using 6 (S11) #8 x 2" Wood Screws. (fig. 38.1, 38.2 and 38.3)

D: From inside the fort center 1 Flat Panel Bracket over the ends of (382) Nest Wall Spacer and (071) Nest End Panel. Attach each Flat Panel Bracket using 4 (S0) #8 x 7/8" Truss Screws. (fig. 38.4)

Fig. 38.1

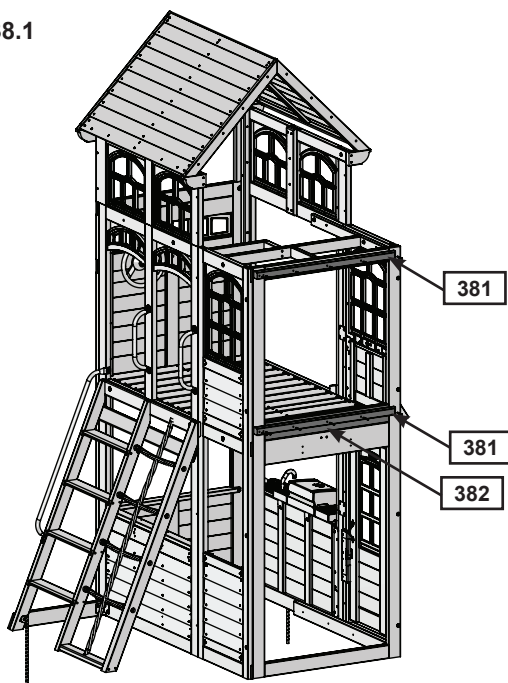


Fig. 38.2
Top View

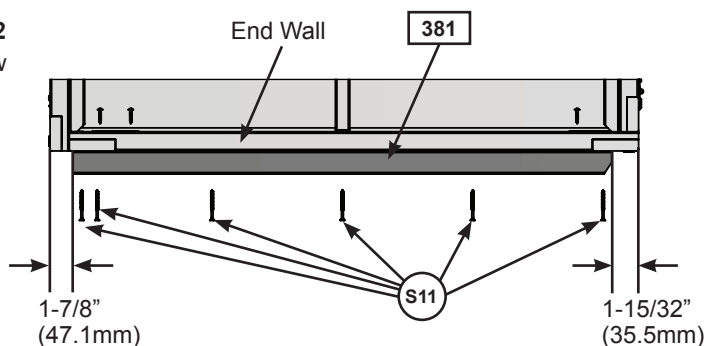


Fig. 38.3

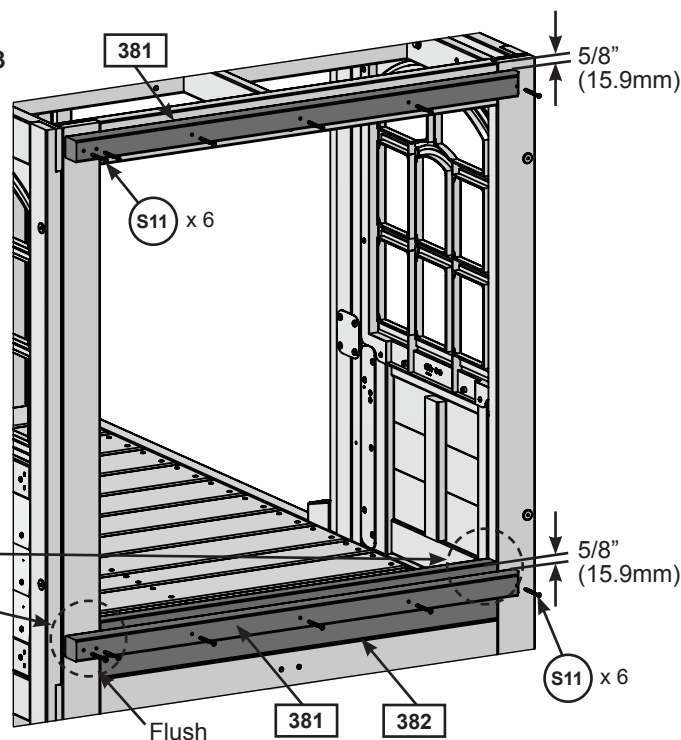
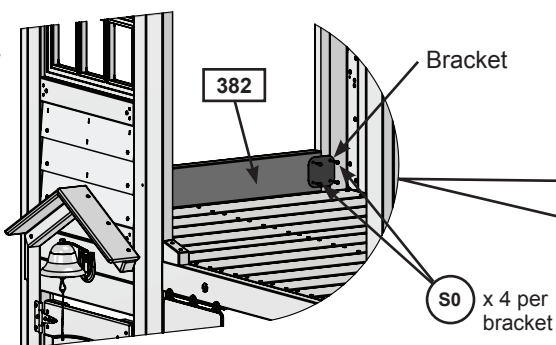


Fig. 38.4
Inside View



Wood Parts

- 2 x **381** Nest Floor Joist A 1-1/2 x 1-1/2 x 35"
- 1 x **382** Nest Wall Spacer 1-1/4 x 4 x 31"

Hardware

- 12 x **(S11)** #8 x 2" Wood Screw
- 8 x **(S0)** #8 x 7/8" Truss Screw

Other Parts

- 2 x Flat Panel Bracket

Step 39: Attach Rock Wall Frame to Fort



A: With a helper hold Rock Wall Frame in place so that the corner of the Rock Frame lines up with the End Wall corner. (fig. 39.4) Make sure that the bottoms of both walls are flush. Attach using 4 Front Wall Brackets with 3 (S6) #12 x 1" Pan Screw per bracket. (fig. 39.1, 39.2, 39.3 and 39.4)

Fig. 39.1

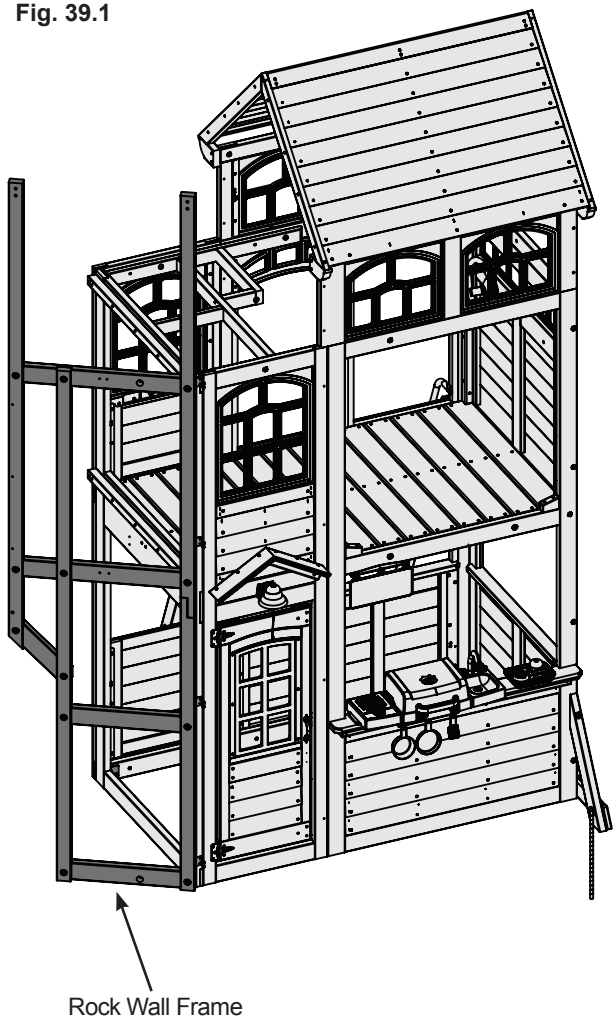


Fig. 39.3

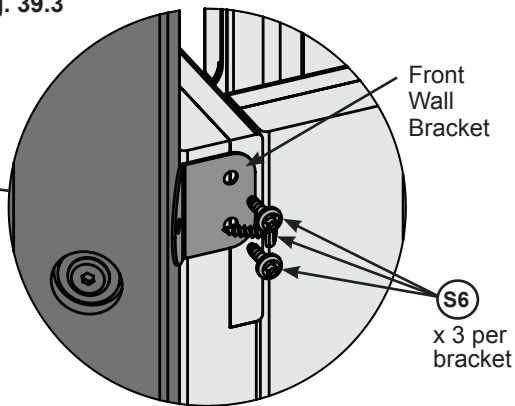


Fig. 39.2

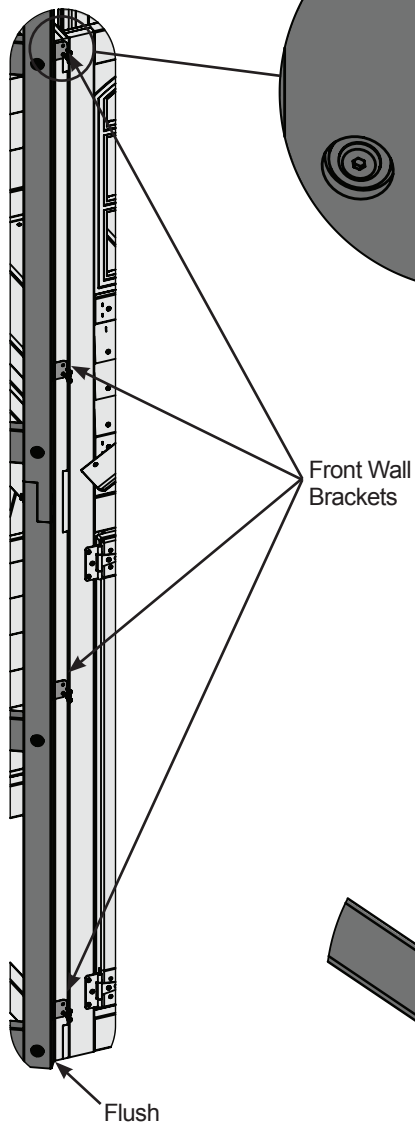
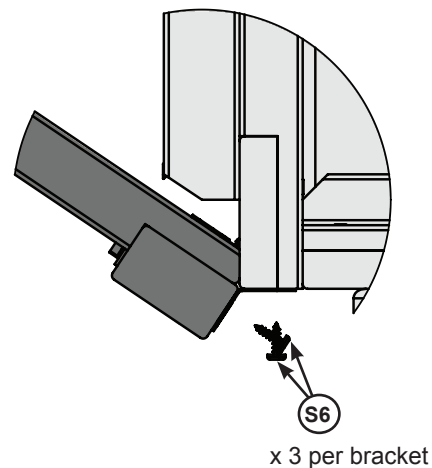


Fig. 39.4
Top View



Hardware

12 x S6 #12 x 1" Pan Screw

Other Parts

4 x Front Wall Bracket

Step 40: Attach TNR Brace



A: With a helper, hold the Narrow Wall Frame in place as shown in fig.40.1. Place (401) TNR Brace Support so that it connects the Rock Wall Frame and the Narrow Wall Frame, making sure that the outside bolt holes are at the bottom. Attach to each frame using 1 (H13) Hex bolt.

Do not attach Narrow Wall Frame to the Fort.

Fig. 40.1

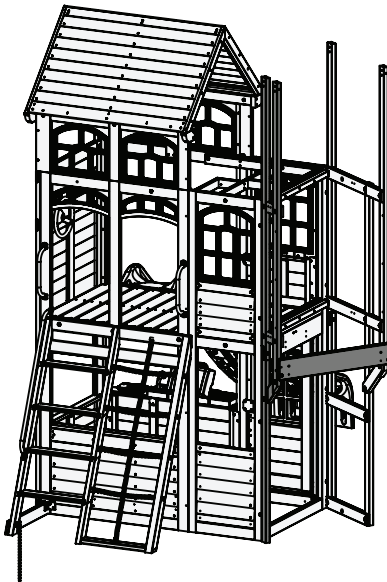


Fig. 40.2

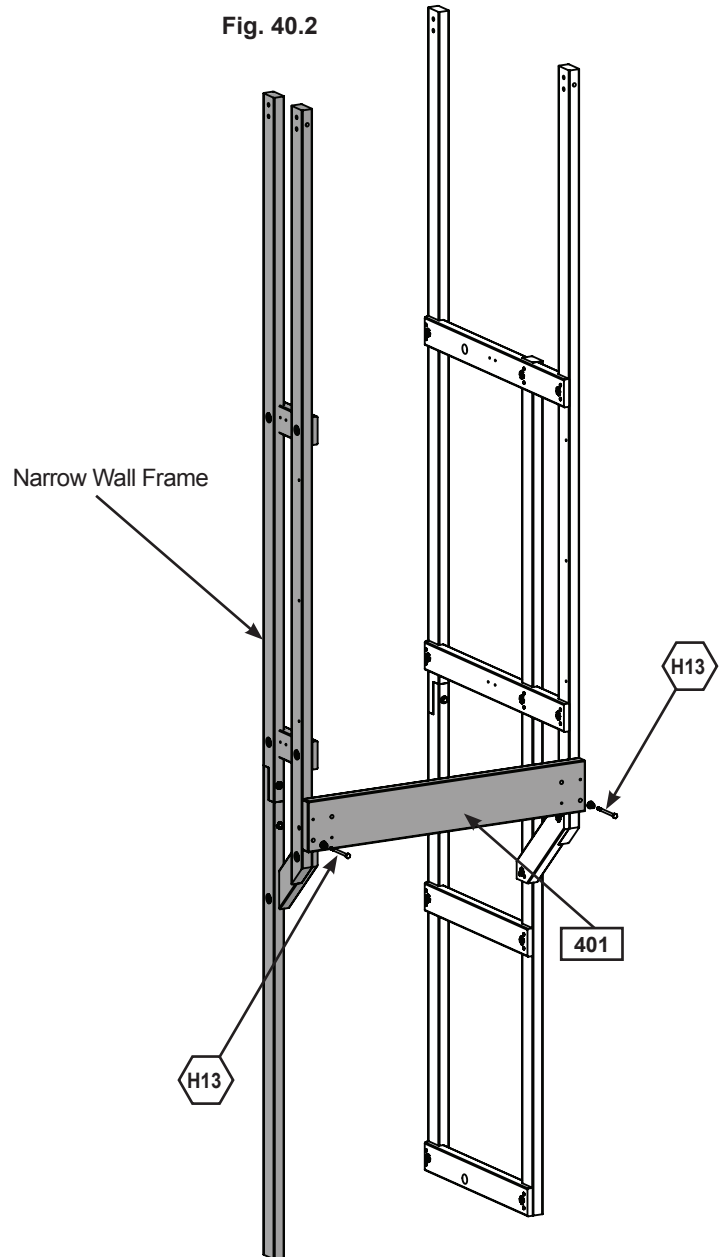
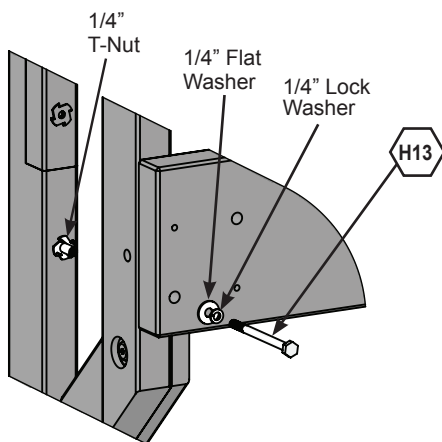


Fig. 40.3



Wood Parts

1 x **401** TNR Brace Support 1-1/4 x 5-1/2 x 33-3/8"

Hardware

2 x **H13** Hex Bolt 1/4 x 3-1/2"
(with 1/4" lock washer, 1/4" flat washer and 1/4" t-nut)

Step 41: Install Side Supports



A: Place a (411) Side Support on the inside of the Narrow Wall Frame so that it sits behind the (401) TNR Brace Support at shown in fig. 41.1. Pre-drill holes using a 3/16" (4.8 mm) drill bit, then attach Side Support from the outside of the Narrow Frame using 3 (WL5) 1/4 x 2-1/2" Wafer Lags in the upper holes and 1 (H5) 1/4 x 4-1/2" Hex Bolt (with t-nut) in the bottom hole. (fig.41.1 and 41.2)

B: Repeat step A to install a Side Support on the inside of the Rock Wall Frame. (fig.41.2)

C: Install 1 (H3) 1/4 x 2-1/2" Hex Bolt (with lock washer, flat washer and t-nut) into each remaining bolt hole on the (401) TNR Brace Support. (fig.41.1 and 41.2)

Fig. 41.1

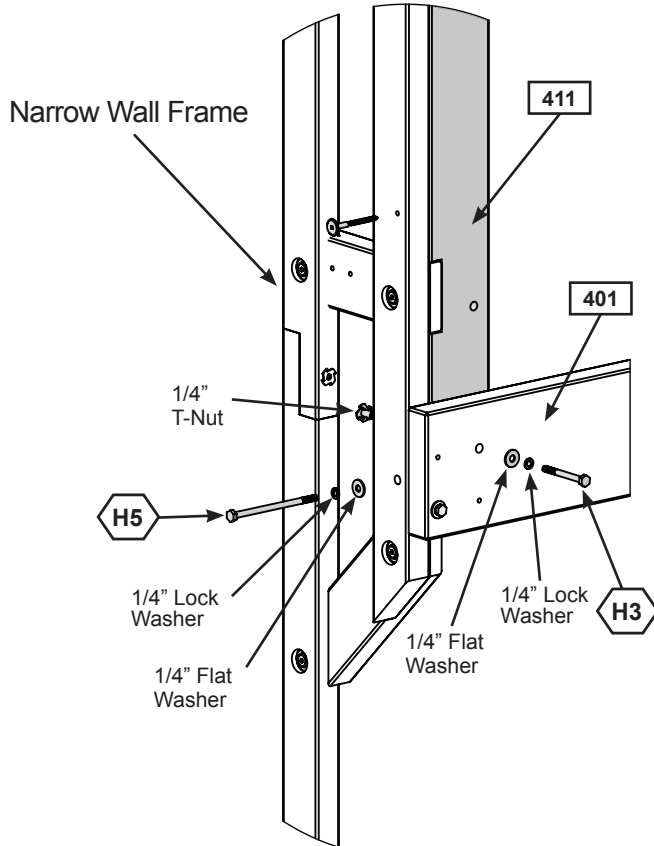
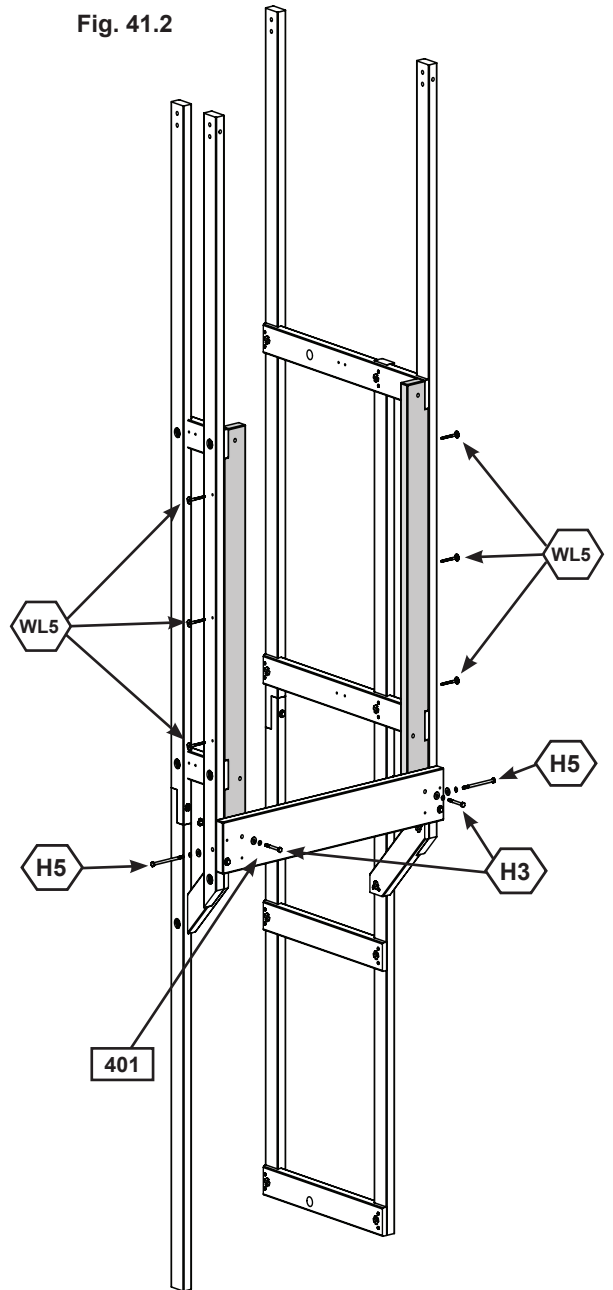


Fig. 41.2



Wood Parts

2 x **411** Side Support 1-1/4 x 3-1/4 x 46-1/4"

Hardware

- 6 x **WL5** 1/4 x 2-1/2" Wafer Lag
- 2 x **H3** 1/4 x 2-1/2" Hex Bolt
(1/4" lock washer, 1/4" flat washer, 1/4" t-nut)
- 2 x **H5** 1/4 x 4-1/2" Hex Bolt
(1/4" lock washer, 1/4" flat washer, 1/4" t-nut)

Step 42: Install TNR Floor Supports



A: From inside the assembly attach (421) TNR Floor Support to each Side Support using 1 (H3) 1/4 x 2-1/2" Hex Bolt (with lock washer, flat washer and t-nut) per side. (fig.42.1 and 42.3)

B: From outside the assembly attach (422) TNR Front Support to (421) TNR Floor Support using 1 (H3) 1/4 x 2-1/2" Hex Bolt (with lock washer, flat washer and t-nut) per side, making sure to maintain a distance of 5/8" (15.9mm) between the top of the (422) TNR Front Support and the (421) TNR Floor Support. (fig. 42.1 and 42.2)

Fig. 42.1

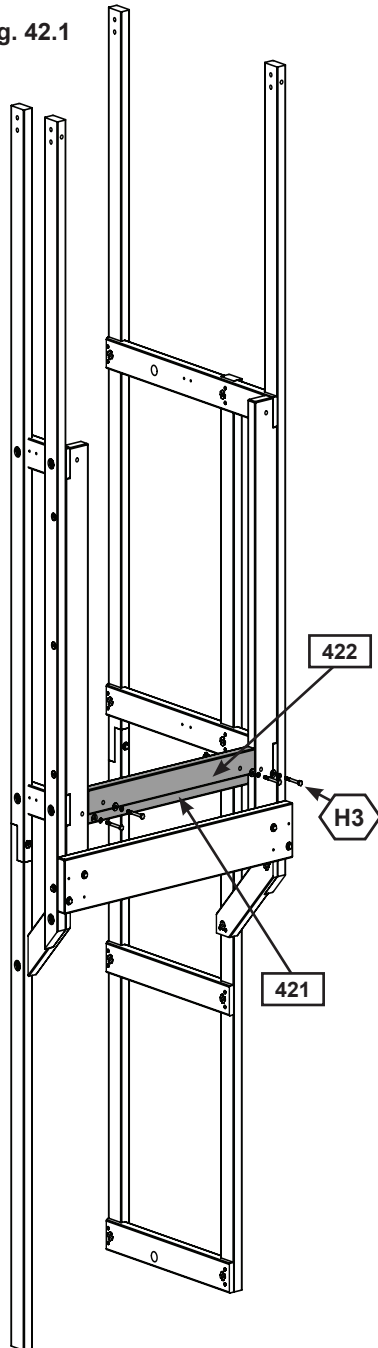


Fig. 42.2

Outside View

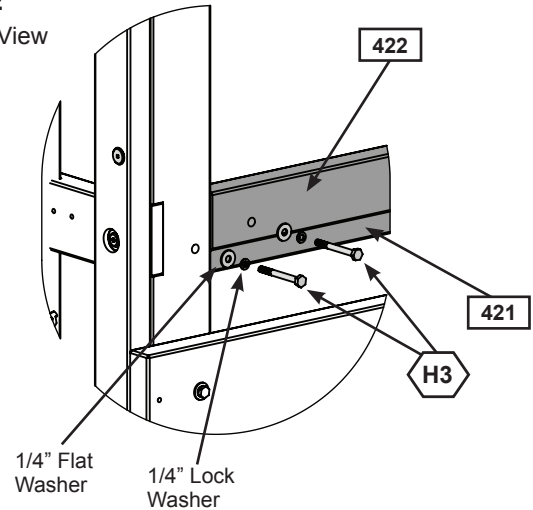
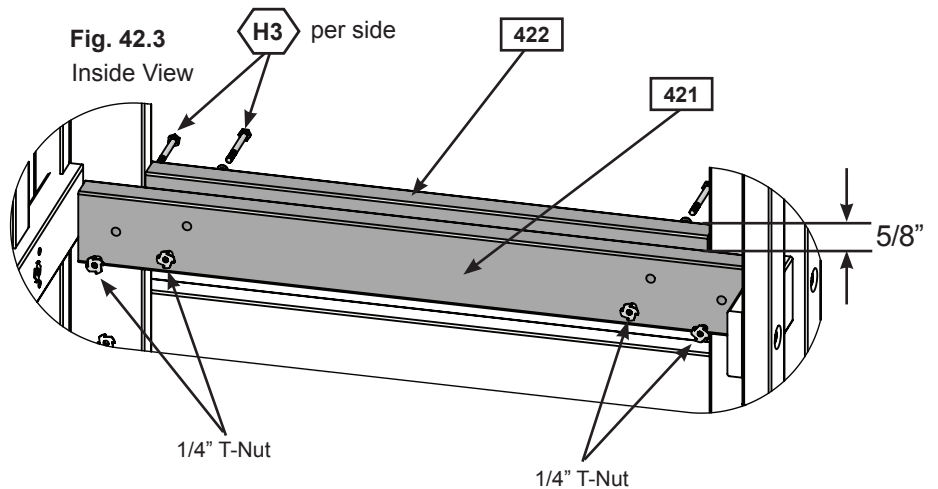


Fig. 42.3

Inside View



Wood Parts

- 1 x TNR Floor Support 1-1/4 x 3-1/4 x 29-3/8"
- 1 x TNR Front Support 1-1/4 x 2-1/2 x 24-1/4"

Hardware

- 4 x 1/4 x 2-1/2" Hex Bolt
(1/4" lock washer, 1/4" flat washer, 1/4" t-nut)

Step 43: Install Upper SL Insert

A: From inside the assembly place the (431) Upper SL Insert so that the narrow board is at the bottom. Make sure that it's flush with the (411) Side Supports and attach each end using a Flat Panel Bracket with 4 (S0) #8 x 7/8" Truss Screws. (fig. 43.1 and 43.2)

Fig. 43.2
Inside View

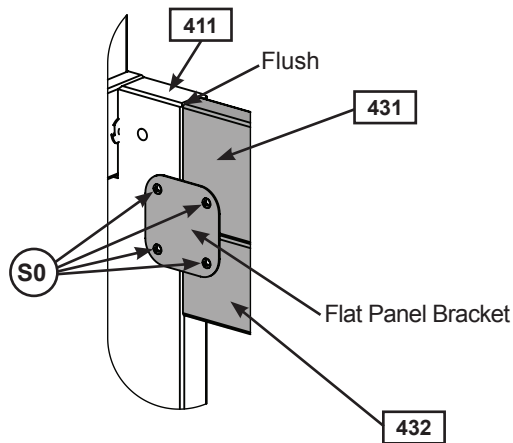
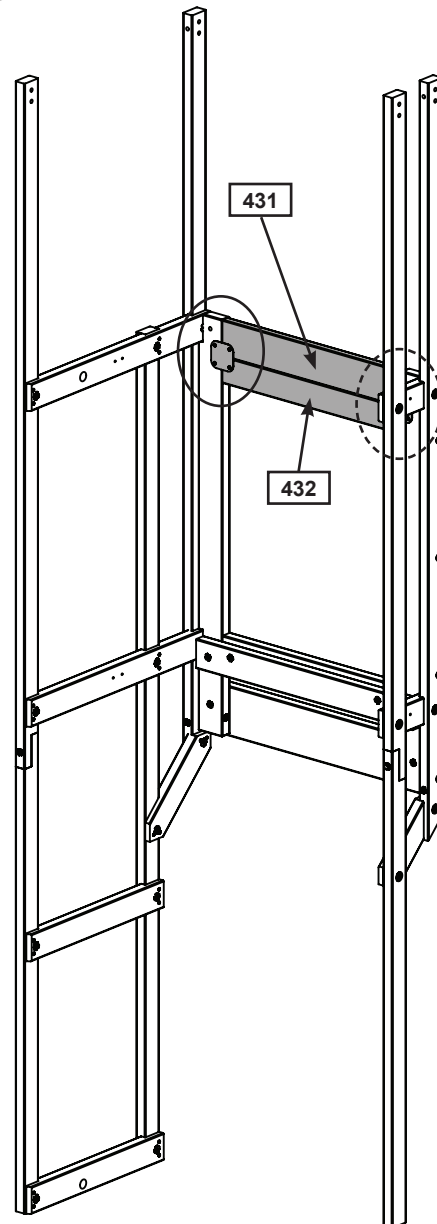


Fig. 43.1



Wood Parts

- 1 x 431 SL Bottom B 1-1/4 x 4 x 24-5/16"
- 1 x 432 SL Bottom A 1-1/4 x 3 x 24-5/16"

Hardware

- 8 x S0 #8 x 7/8" Truss Screw

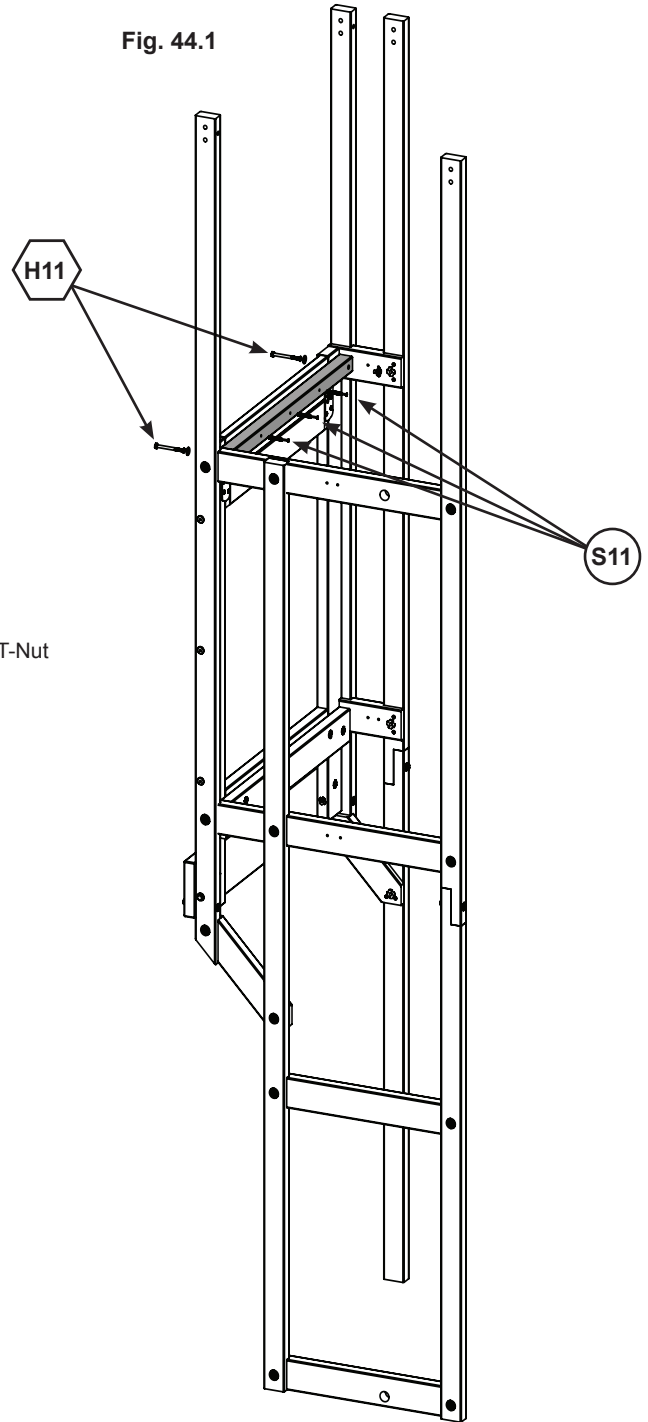
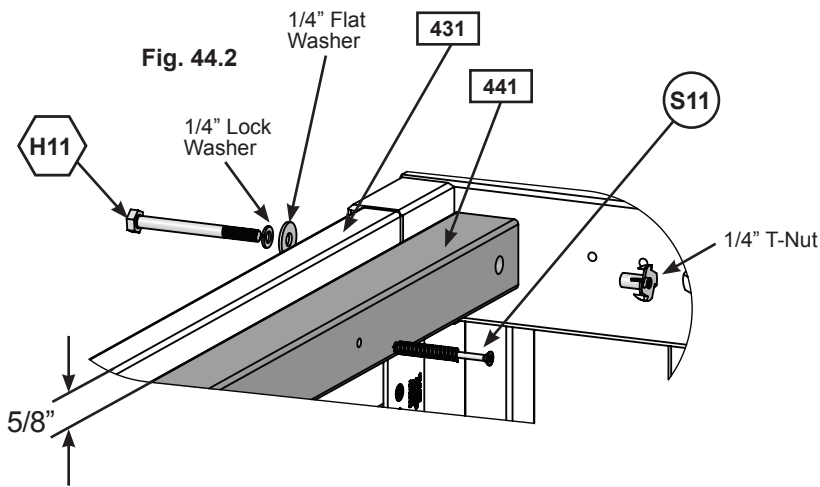
Other Parts

- 2 x Flat Bracket

Step 44: Install Nest Floor Joists Part 1



A: Measure 5/8" (15.9mm) down from the top of the (431) SL Insert and place (441) Nest Floor Joist B on the inside as shown in fig.44.2. Install from the outside using 2 (H11) 1/4 x 2-3/4" Hex Bolts (with lock washer, flat washer and t-nut) and from the inside using 3 (S11) #8 x 2" Wood Screws. (fig.44.1 and 44.2)



Wood Parts

1 x **441** Nest Floor Joist B 1-1/2 x 1-1/2 x 29-1/2"

Hardware

3 x **S11** #8 x 2" Wood Screw

2 x **H11** 1/4 x 2-3/4" Hex Bolt
(1/4" lock washer, 1/4" flat washer, 1/4" t-nut)

Step 44: Install Nest Floor Joists Part 2



B: Measure 5/8" (15.9mm) down from the top of the (053) Rope Support Back and the (064) Narrow Wall Cross and place (442) Nest Floor Joist C so that it lines up with the pre-drilled holes. Install using 2 (S4) #8 x 3" Wood Screws per side. (fig.44.3, 44.4, 44.5 and 44.6)

C: Repeat to install a second (442) Nest Floor Joist C on the lower level making sure to measure 5/8" (15.9mm) down from the (054) Rock Wall Floor Cross and the (064) Narrow Wall Cross. (fig.44.3)

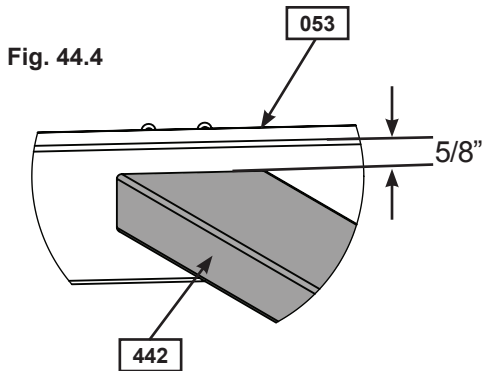


Fig. 44.4

Fig. 44.5

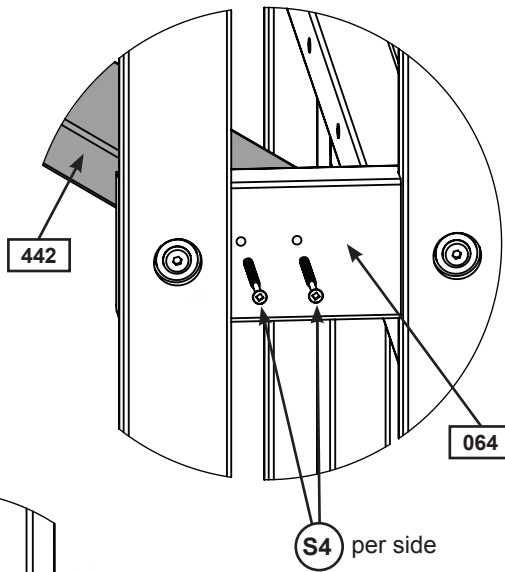


Fig. 44.6

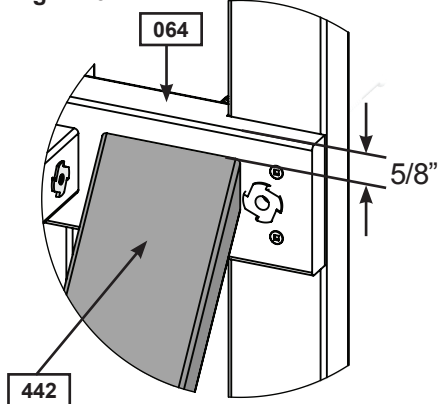
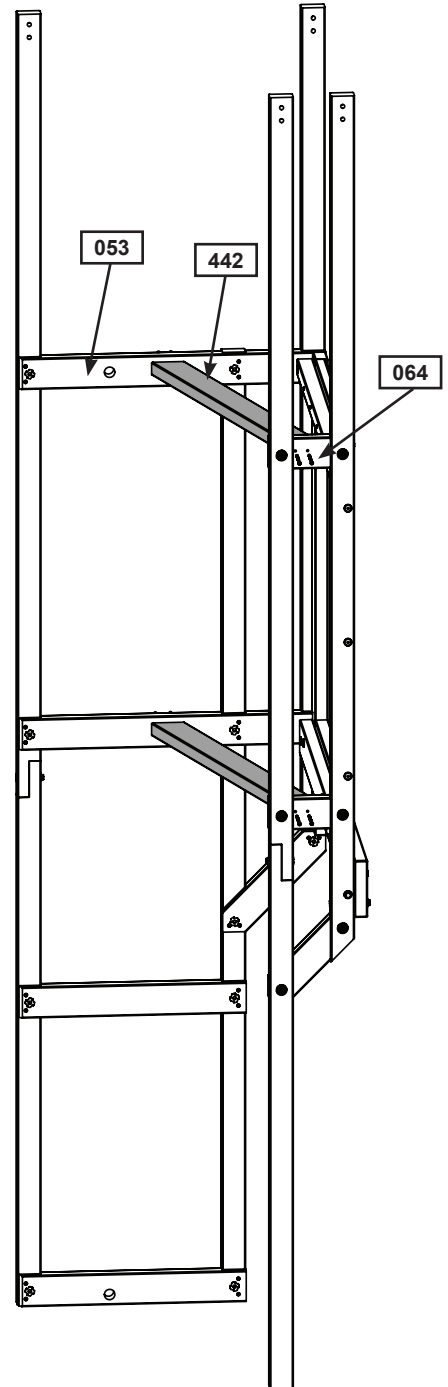


Fig. 44.3



Wood Parts

2 x Nest Floor Joist C 1-1/4 x 2-3/8 x 13-11/16"

Hardware

8 x #8 x 3" Wood Screw

Step 45: Install Slide Block



A: Center (451) Slide Block so that it's under the (422) TNR Front Support and behind the (401) TNR Brace Support. Attach (451) Slide Block to the (422) TNR Front Support from the outside using 2 (S11) #8 x 2" Wood Screws. (fig.45.1 and 45.3)

B: Check to ensure that Brace Assembly is square and then install 2 (S11) #8 x 2" Wood Screws from the outside into each side of the (401) TNR Brace Support. From the inside install 3 more (S11) #8 x 2" Wood Screws to attach (451) Slide Block to the (401) TNR Brace Support. (fig.45.1, 45.2 and 45.4)

Fig. 45.2
Inside View

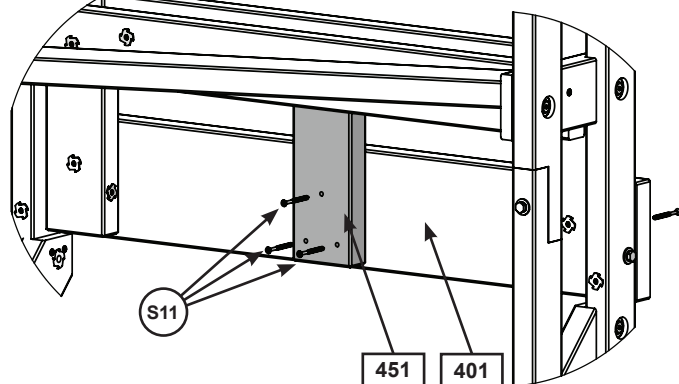


Fig. 45.1

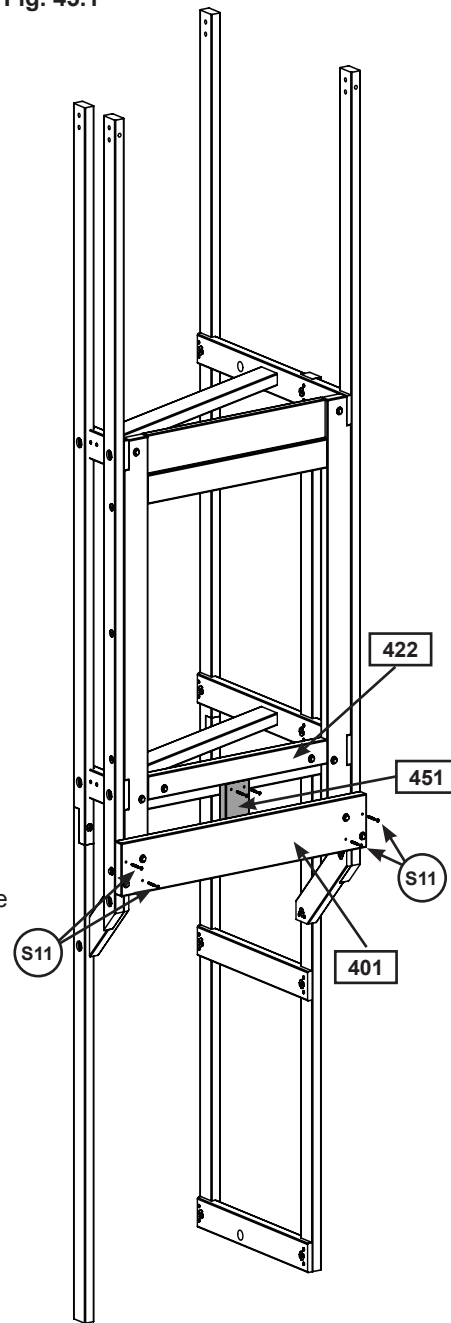


Fig. 45.3
Outside View

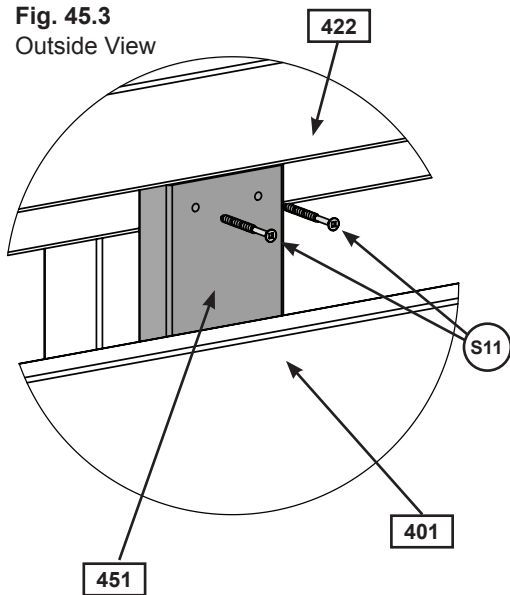
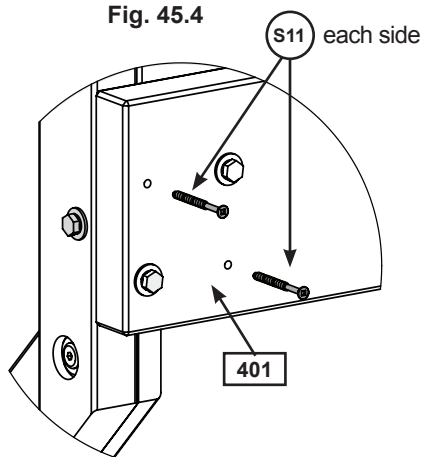


Fig. 45.4



Wood Parts

1 x **451** Slide Block 1-1/4 x 3-1/4 x 8-3/4"

Hardware

9 x **S11** #8 x 2" Wood Screw

Step 46: Attach Narrow Wall to Fort



A: Measure 4" (10cm) up from the ground and install 1 Wall Bracket using 3 (S6) #12 x 1" Pan Screws as shown in fig. 46.2 to connect the Narrow Wall to the Back Wall Panel.

B: Evenly space and install 3 more Wall Brackets to secure Narrow Wall to Fort. (fig. 46.1)

Fig. 46.1

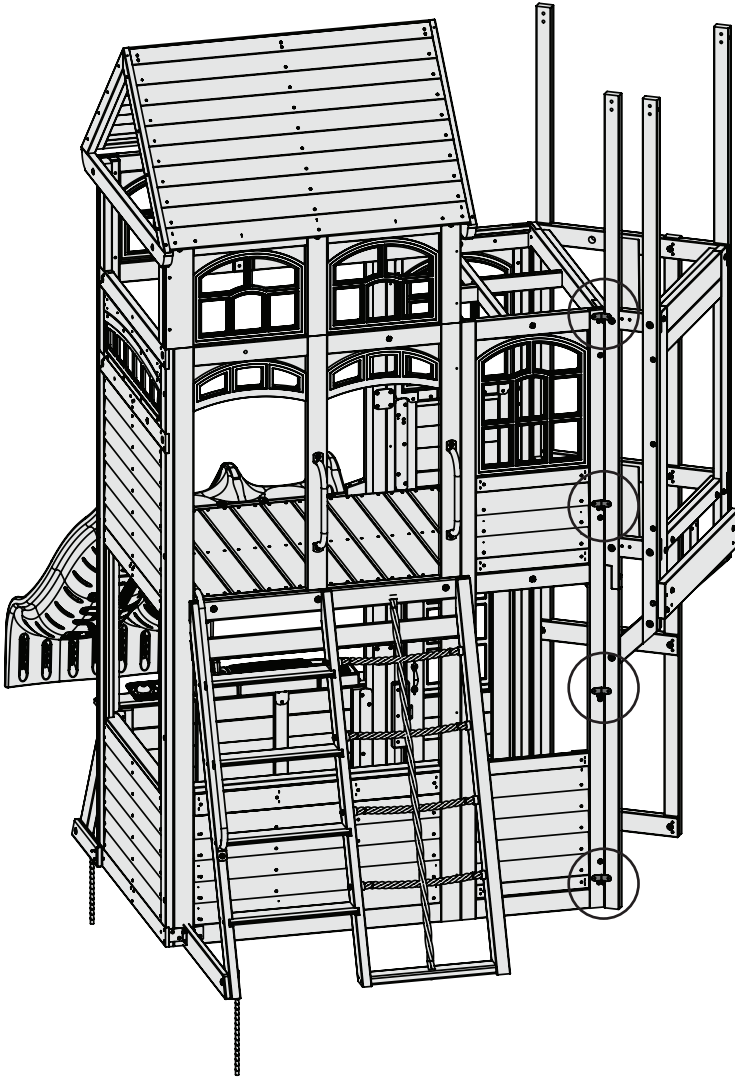
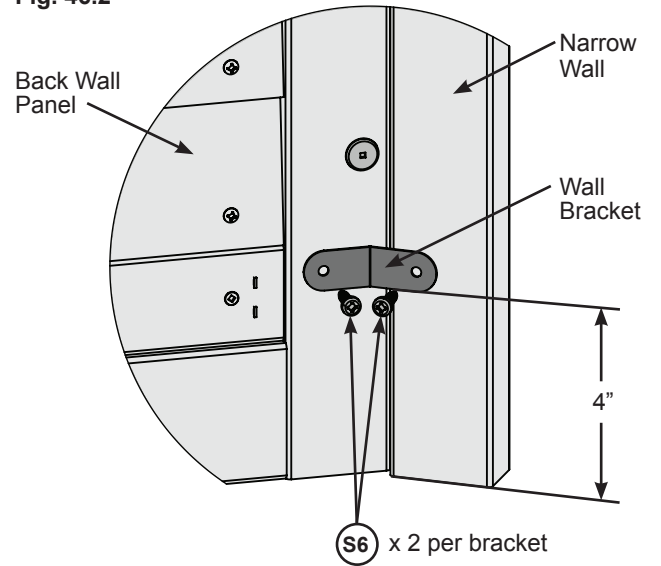


Fig. 46.2



Hardware

8 x (S6) #12 x 1" Pan Screw

Other Parts

4 x Wall Bracket (angled)

Step 47: Install Upper and Lower Nest Floor Boards Part 1

A: On the left side of the Lower Nest install 1 (471) Nest Floor Board G using 5 (S20) #8 x 1-3/8" Wood Screws making sure that it's tight to the (064) Narrow Wall Cross. (Fig. 47.1 & 47.3)

B: On the right side, place 1 (472) Nest Floor Board A making sure that it's tight to the (054) Rock Wall Floor Cross and attach using 5 (S20) #8 x 1-3/8" Wood Screws. (Fig. 47.2 & 47.3)

Fig.47.1

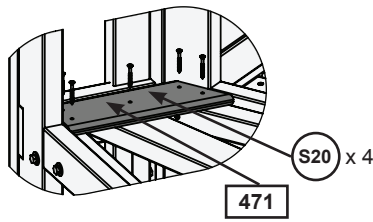


Fig.47.3

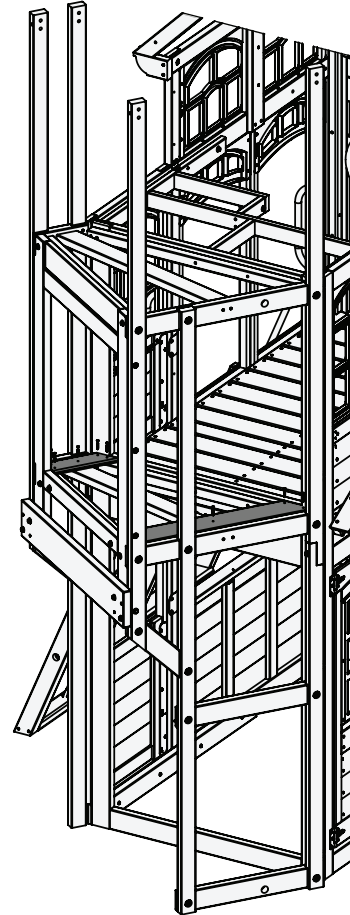
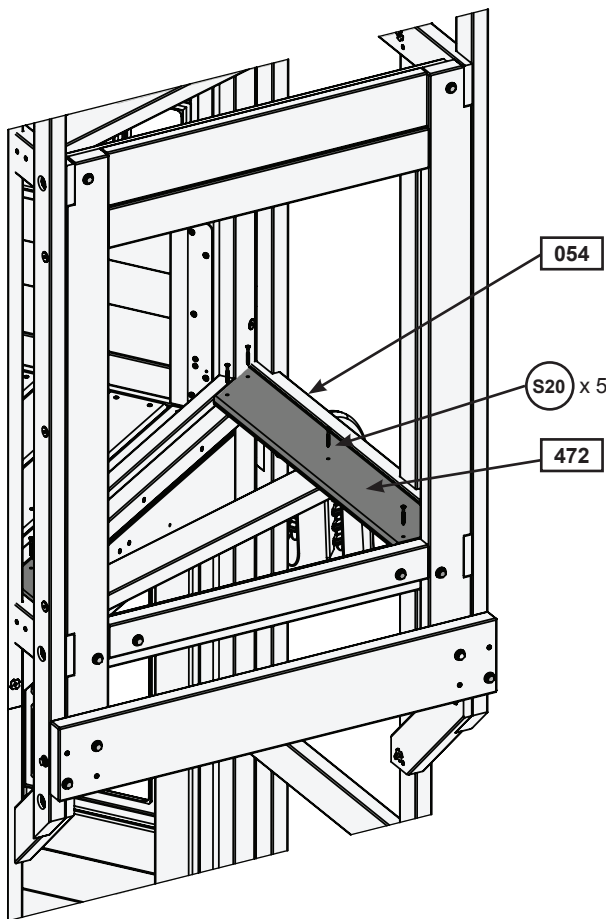


Fig.47.2



Wood Parts

- 1 x 471 Nest Floor Board G 5/8 x 3-1/4 x 10"
- 1 x 472 Nest Floor Board A 5/8 x 4-1/2 x 27-43/64"

Hardware

- 10 x S20 #8 x 1-3/8" Wood Screw

Step 47: Install Upper and Lower Nest Floor Boards Part 2

C: From left to right, evenly space (477) Nest Floor Board F, (476) Nest Floor Board E, (475) Nest Floor Board D, (474) Nest Floor Board C and (473) Nest Floor Board B. Attach each board using 5 (S20) #8 x 1-3/8" Wood Screws. (Fig. 47.4 & 47.5)

Fig. 47.4

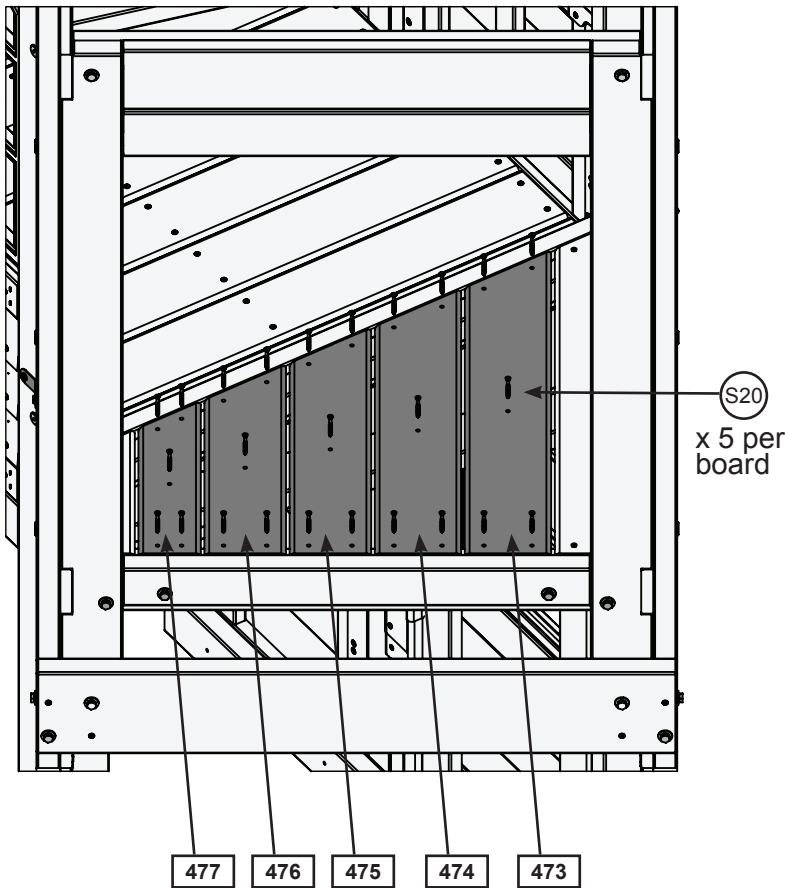
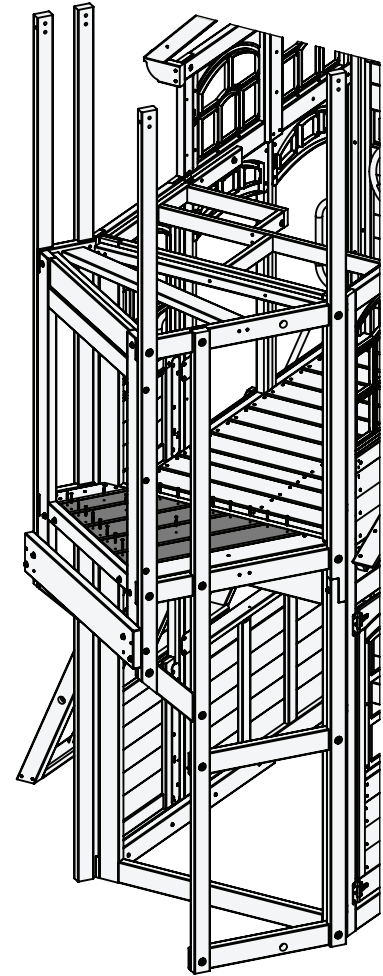


Fig. 47.5



Wood Parts

- 1 x 473 Nest Floor Board B 5/8 x 4-1/2 x 24-17/32"
- 1 x 474 Nest Floor Board C 5/8 x 4-1/2 x 21-13/32"
- 1 x 475 Nest Floor Board D 5/8 x 3-1/4 x 18-1/4"
- 1 x 476 Nest Floor Board E 5/8 x 3-1/4 x 15-19/64"
- 1 x 477 Nest Floor Board F 5/8 x 3-1/4 x 10"

Hardware

- 25 x S20 #8 x 1-3/8" Wood Screw

Step 47: Install Upper and Lower Nest Floor Boards Part 3

D: Repeat steps A-C to install Upper Nest Floor Boards. (Fig. 47.6 & 47.7 & Fig. 47.8 & 47.9 & 47.10)

Fig. 47.6

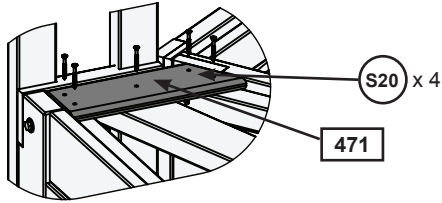


Fig. 47.7

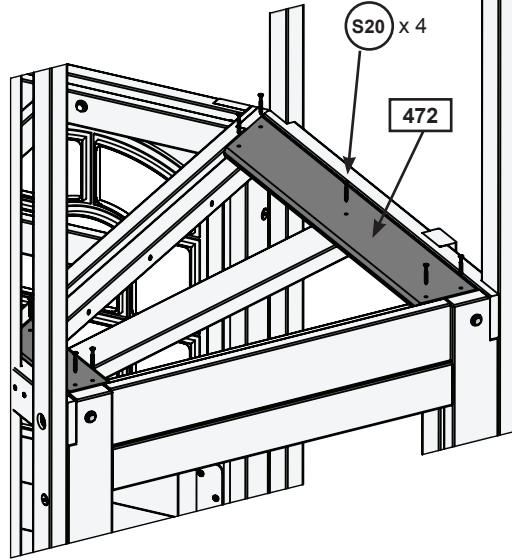


Fig. 47.8

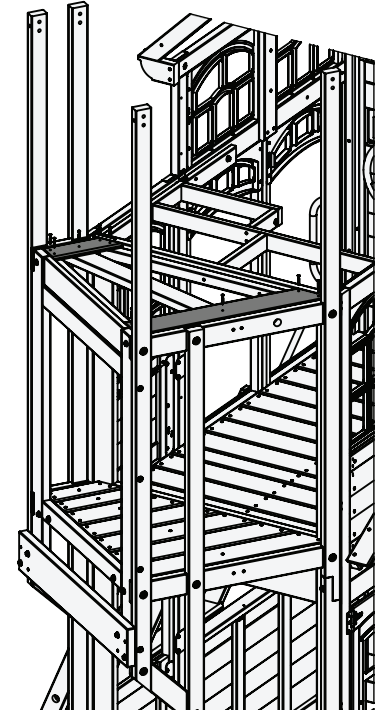


Fig. 47.9

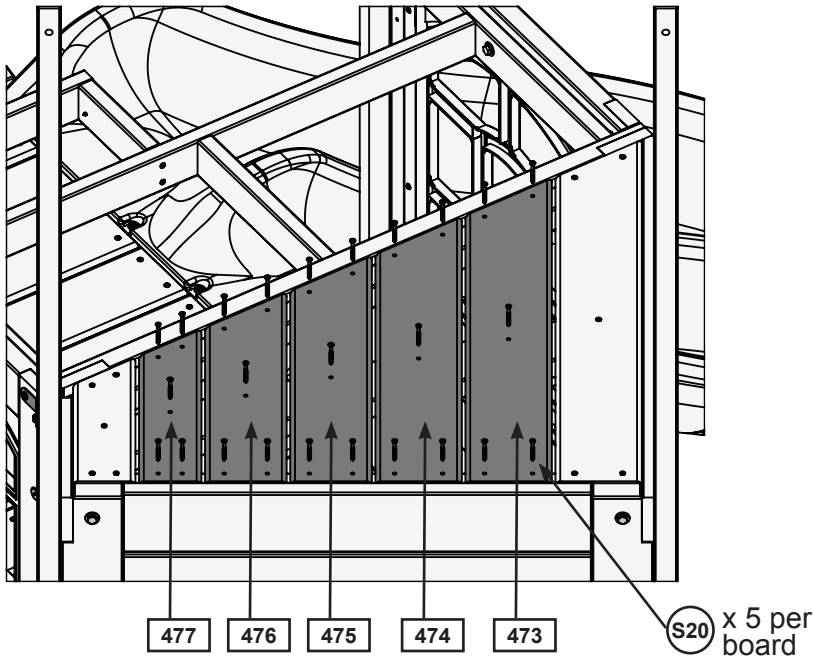
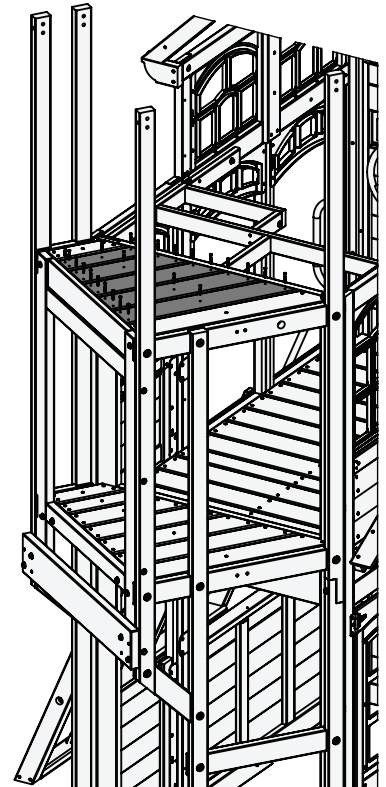


Fig. 47.10



Wood Parts

- 1 x 473 Nest Floor Board B 5/8 x 4-1/2 x 24-17/32"
- 1 x 474 Nest Floor Board C 5/8 x 4-1/2 x 21-13/32"
- 1 x 475 Nest Floor Board D 5/8 x 3-1/4 x 18-1/4"
- 1 x 476 Nest Floor Board E 5/8 x 3-1/4 x 15-19/64"
- 1 x 477 Nest Floor Board F 5/8 x 3-1/4 x 10"

- 1 x 471 Nest Floor Board G 5/8 x 3-1/4 x 10"
- 1 x 472 Nest Floor Board A 5/8 x 4-1/2 x 27-43/64"

Hardware

- 35 x S20 #8 x 1-3/8" Wood Screw