

# F23860

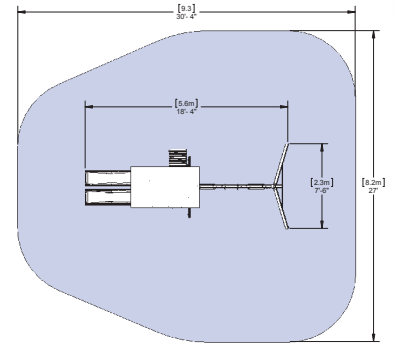
# TREASURE COVE PLAY SYSTEM

**OBSTACLE FREE SAFETY ZONE** - 30' 4" x 27' (9.3m x 8.2m) area requires Protective Surfacing. See page 4.

**MAXIMUM VERTICAL FALL HEIGHT** - 6' (1.8m).

**CAPACITY** - 8 Users Maximum, Ages 3 to 10; Weight Limit 110 lbs. (50 kg) per child.

**RESIDENTIAL HOME USE ONLY.** Not intended for public areas such as multi-unit residences, schools, churches, nurseries, day cares or parks.



## INSTALLATION AND OPERATING INSTRUCTIONS

### FOR 24/7 ONLINE PARTS REPLACEMENT

[parts.kidkraft.com](http://parts.kidkraft.com)

KidKraft, Inc.  
4630 Olin Road  
Dallas, Texas 75244  
USA

[customerservice@kidkraft.com](mailto:customerservice@kidkraft.com)

1.800.933.0771  
972.385.0100

[parts.kidkraft.eu](http://parts.kidkraft.eu)

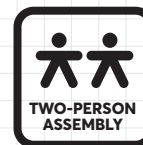
KidKraft Netherlands BV  
Olympisch Stadion 8  
1076 DE Amsterdam  
The Netherlands

[europcustomerservice@kidkraft.com](mailto:europcustomerservice@kidkraft.com)

+31 20 305 8620  
M-F from 09:00 to 17:30 (GMT+1)

9403860

Rev 12/06/2022



### ⚠️ WARNING

To reduce the risk of serious injury or death, please read and follow these instructions. Keep and refer to instructions as needed and pass along to any future owners of this item.

## **Congratulations on purchasing a KidKraft product!**

**Our items are made of high-quality,  
durable Cunninghamia Lanceolata wood  
from the cypress family.**

**Lumber from these trees are known for  
their light weight and excellent strength.  
The porosity of this wood allows the  
moisture to absorb and evaporate in the  
fibers, resisting rot and bugs.**

**Engineered for great play, our products  
also go through extensive testing for safety.**

**Plus, our team has developed a series of  
proprietary methods for a simpler, more  
organized assembly. Less build time and  
more play time is our motto!**

**However, during assembly if you have any  
questions or concerns, please reach out.  
Our Customer Service can help with missing  
parts, instructions or maintenance.**



## Warnings and Safe Play Instructions



**CONTINUOUS ADULT SUPERVISION REQUIRED.** Most serious injuries and deaths on playground equipment have occurred while children were unsupervised! Our products are designed to meet mandatory and voluntary safety standards. Complying with all warnings and recommendations in these instructions will reduce the risk of serious or fatal injury to children using this play system. Go over the warnings and safe play instructions regularly with your children and make certain that they understand and follow them. Remember on-site adult supervision is required for children of all ages.



### WARNING

#### SERIOUS HEAD INJURY HAZARD

Installation over concrete, asphalt, dirt, grass, carpet and other hard surface creates a risk of serious injury or death from falls to the ground. Install and maintain shock absorbing material under and around play-set as recommended on page 4 of these instructions.

#### COLLISION HAZARD

Place play-set on level ground at least 2m from any obstruction such as a garage or house, fences, poles, trees, sidewalks, walls, landscape timbers, rocks, pavement, planters, garden borders, overhanging branches, laundry lines, and electrical wires. (See OBSTACLE FREE SAFETY ZONE on cover)

#### CHOKING HAZARD/SHARP EDGES & POINTS

Adult assembly required. This product contains small parts and parts with sharp edges and points. Keep parts away from children until fully assembled.

#### WARNING LABEL

Owners shall be responsible for maintaining the legibility of the warning labels.

#### STRANGULATION HAZARD

- NEVER allow children to play with ropes, clotheslines, pet leashes, cables, chains or cord-like items when using this play-set or to attach these items to play-set.
- NEVER allow children to wear loose fitting clothing, ponchos, hoods, scarves, capes, necklaces, items with draw-strings, cords or ties when using this play-set.
- NEVER allow children to wear bike or sport helmets when using this play-set.

Failure to prohibit these items, even helmets with chin straps, increases the risk of serious injury and death to children from entanglement and strangulation.

#### TIP OVER HAZARD

Choose a level location for the equipment. This can reduce the likelihood of the play set tipping over and loose-fill surfacing materials washing away during heavy rains.

DO NOT allow children to play on the play-set until the assembly is complete and the unit is properly anchored.

Never add extra length to chain or rope. The chains or ropes provided are the maximum length designed for the swinging element(s).



### WARNING – Safe Play Instructions

- ✓ Observe capacity limitations of your play-set. See front cover.
- ✓ Dress children with well fitting and full foot enclosing footwear.
- ✓ Teach children to sit with their full weight in the center of the swing seat to prevent erratic swing motion or falling off.
- ✓ Check for splintered, broken or cracked wood; missing, loose, or sharp edged hardware. Replace, tighten and or sand smooth as required prior to playing.
- ✓ Verify that suspended climbing ropes, rope ladders, chain or cable are secured at both ends and cannot be looped back on itself as to create an entanglement hazard.
- ✓ On sunny and or hot days, check the slide and other plastic rides to assure that they are not very hot as to cause burns. Cool hot slide and rides with water and wipe dry prior to using.
- ✓ Orientate slide such that it gets the least amount of exposure to the sun.
- ✗ Do not allow children to wear open toe or heel footwear like sandals, flip-flops or clogs.
- ✗ Do not allow children to walk, in front, between, behind or close to moving rides.
- ✗ Do not let children twist swing chains or ropes or loop them over the top support bar. This may reduce the strength of the chain or rope and cause premature failure.
- ✗ Do not let children get off rides while they are in motion.
- ✗ Do not permit climbing on equipment when it is wet.
- ✗ Do not permit rough play or use of equipment in a manner for which it was not intended. Standing on or jumping from the roof, elevated platforms, swings, climbers, ladders or slide can be dangerous.
- ✗ Do not allow children to swing empty rides or seats.
- ✗ Do not allow children to go down slide head first or run up slide.



# ⚠️ Protective Surfacing - Reducing Risk of Serious Head Injury From Falls

One of the most important things you can do to reduce the likelihood of serious head injuries is to install shock-absorbing protective surfacing under and around your play equipment. The protective surfacing should be applied to a depth that is suitable for the equipment height in accordance with ASTM F1292. There are different types of surfacing to choose from; whichever product you select, follow these guidelines:

## Loose-Fill Materials

- Maintain a minimum depth of 9 inches (23 cm) of loose-fill materials such as wood mulch/chips, engineered wood fiber (EWF), or shredded/recycled rubber mulch for equipment up to 8 feet (2.45 m) high; and 9 inches (23 cm) of sand or pea gravel for equipment up to 5 feet (1.5 m) high. NOTE: An initial fill level of 12 inches (31 cm) will compress to about a 9-inch (23 cm) depth of surfacing over time. The surfacing will also compact, displace, and settle, and should be periodically raked and refilled to maintain at least a 9-inch (23 cm) depth.
- Use a minimum of 6 inches (16 cm) of protective surfacing for play equipment less than 4 feet (1.22 m) in height. If maintained properly, this should be adequate. (At depths less than 6 inches (16 cm), the protective material is too easily displaced or compacted.)

NOTE: Do not install home playground equipment over concrete, asphalt, or any other hard surface. A fall onto a hard surface can result in serious injury to the equipment user. Grass and dirt are not considered protective surfacing because wear and environmental factors can reduce their shock absorbing effectiveness. Carpeting and thin mats are not adequate protective surfacing. Ground level equipment -- such as a sandbox, activity wall, playhouse or other equipment that has no elevated play surface -- does not need any protective surfacing.

- Use containment, such as digging out around the perimeter and/or lining the perimeter with landscape edging. Don't forget to account for water drainage.
- Periodically rake, check and maintain the depth of the loose-fill surfacing material. Marking the correct depth on the play equipment support posts will help you to see when the material has settled and needs to be raked and or replenished. Be sure to rake and evenly redistribute the surfacing in heavily used areas.
- Do not install loose fill surfacing over hard surfaces such as concrete or asphalt.

## Poured-In-Place Surfaces or Pre-Manufactured Rubber Tiles

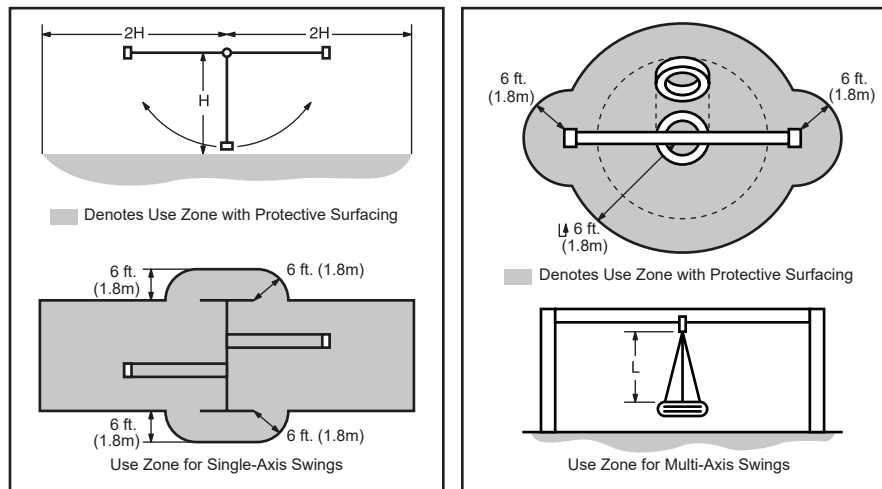
You may be interested in using surfacing other than loose-fill materials - like rubber tiles or poured-in-place surfaces.

- Installations of these surfaces generally require a professional and are not "do-it yourself" projects.
- Review surface specifications before purchasing this type of surfacing. Ask the installer/manufacturer for a report showing that the product has been tested to the following safety standard: ASTM F1292 *Standard Specification for Impact Attenuation of Surfacing Materials within the Use Zone of Playground Equipment*. This report should show the specific height for which the surface is intended to protect against serious head injury. This height should be equal to or greater than the fall height - vertical distance between a designated play surface (*elevated surface for standing, sitting, or climbing*) and the protective surfacing below - of your play equipment.
- Check the protective surfacing frequently for wear.

## Placement

Proper placement and maintenance of protective surfacing is essential. Refer to diagram on front cover. Be sure to;

- Extend surfacing at least 6 feet (1.8 m) from the equipment in all directions.
- For to-fro swings, extend protective surfacing in front of and behind the swing to a distance equal to twice the height of the top bar from which the swing is suspended.
- For tire swings, extend surfacing in a circle whose radius is equal to the height of the suspending chain or rope, plus 6 feet (1.8 m) in all directions.



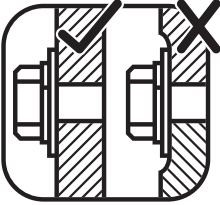
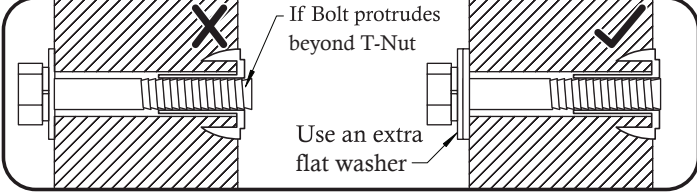
From the CPSC Outdoor Home Playground Safety Handbook. At <http://www.playgroundregs.com/resources/CPSC%20324.pdf>



# Instructions for Proper Maintenance

Your KidKraft Play System is designed and constructed of quality materials with your child's safety in mind. As with all outdoor products used by children, it will weather and wear. To maximize the enjoyment, safety and life of your Play Set, it is important that you, the owner, properly maintain it.

## Check the following at the beginning of the play season:

<p><b>HARDWARE:</b></p> <ul style="list-style-type: none"> <li>✓ Check metal parts for rust. If found, sand and repaint using a non-lead paint complying with 16 CFR 1303.</li> <li>✓ Inspect and tighten all hardware. On wood assemblies <b>DO NOT OVER-TIGHTEN</b> as to cause crushing and splintering of wood.</li> <li>✓ Check for sharp edges or protruding screw threads, add washers if required.</li> </ul> 	<p><b>GROUND STAKES (ANCHORS):</b></p> <ul style="list-style-type: none"> <li>✓ Check for looseness, damage or deterioration. Should firmly anchor unit to ground during use. Re-secure and or replace, if necessary.</li> </ul> <p><b>SWING HANGERS:</b></p> <ul style="list-style-type: none"> <li>✓ Check that bolts are secure and tight. Quick clips should be completely closed and threaded clips screwed tight.</li> <li>✓ If squeaking occurs lubricate bushings with oil or WD-40®.</li> </ul> <p><b>SWINGS, ROPES AND RIDES:</b></p> <ul style="list-style-type: none"> <li>✓ Reinstall if removed during cold season. Check all moving parts including swing seats, ropes, chains and attachments for wear, rust and other deterioration. Replace as needed.</li> <li>✓ Check that ropes are tight, secure at both ends and cannot loop back as to create an entrapment.</li> </ul> <p><b>WOOD PARTS:</b></p> <ul style="list-style-type: none"> <li>✓ Check all wood members for deterioration, structural damage and splintering. Sand down splinters and replace deteriorated wood members. As with all wood, some checking and small cracks in grain is normal.</li> <li>✓ Applying a water repellent or stain (water-based) on a yearly basis is important maintenance to maintain maximum life and performance of the product.</li> </ul>
 <p><b>SHOCK ABSORBING SURFACING:</b></p> <ul style="list-style-type: none"> <li>✓ Check for foreign objects. Rake and check depth of loose fill protective surfacing materials to prevent compaction and maintain appropriate depth. Replace as necessary. (See Protective Surfacing, page 4)</li> </ul>	

## Check twice a month during play season:

<p><b>HARDWARE:</b></p> <ul style="list-style-type: none"> <li>✓ Inspect for tightness. Must be firmly against, but not crushing the wood. <b>DO NOT OVER-TIGHTEN.</b> This will cause splintering of wood.</li> <li>✓ Check for sharp edges or protruding screw threads. Add washers if required.</li> </ul>	<p><b>SHOCK ABSORBING SURFACING:</b></p> <ul style="list-style-type: none"> <li>✓ Rake and check depth of loose fill protective surfacing materials to prevent compaction and maintain appropriate depth. Replace as necessary. (See Protective Surfacing, page 4)</li> </ul>
---	---

## Check once a month during play season:

<p><b>SWING HANGERS:</b></p> <ul style="list-style-type: none"> <li>✓ Check that they are secure and orientated correctly. Hook should rotate freely and perpendicular to support beam.</li> <li>✓ If squeaking occurs lubricate bushings with oil or WD-40®.</li> </ul>	<p><b>SWINGS AND RIDES:</b></p> <ul style="list-style-type: none"> <li>✓ Check swing seats, all ropes, chains and attachments for fraying, wear, excessive corrosion or damage. Replace if structurally damaged or deteriorated.</li> </ul>
--	---

## Check at the end of the play season:

<p><b>SWINGS AND RIDES:</b></p> <ul style="list-style-type: none"> <li>✓ To prolong their life, remove swings and store inside when outside temperature is below 32°F/0°C. Below freezing, plastic parts may become more brittle.</li> </ul>	<p><b>SHOCK ABSORBING SURFACING:</b></p> <ul style="list-style-type: none"> <li>✓ Rake and check depth of loose fill protective surfacing materials to prevent compaction and maintain appropriate depth. Replace as necessary. (See Protective Surfacing, page 4)</li> </ul>
--	---

**If you dispose of your play set:** Please disassemble and dispose of your unit so that it does not create any unreasonable hazards at the time it is discarded. Be sure to follow your local waste ordinances.

## About Our Wood

KidKraft Premium Play Systems uses only premium playset lumber, ensuring the safest product for your children's use. Although we take great care in selecting the best quality lumber available, wood is still a product of nature and susceptible to weathering which can change the appearance of your set.

### **What causes weathering? Does it affect the strength of my Play System?**

One of the main reasons for weathering is the effects of water (moisture); the moisture content of the wood at the surface is different than the interior of the wood. As the climate changes, moisture moves in or out of the wood, causing tension which can result in checking and or warping. You can expect the following due to weathering. These changes will not affect the strength of the product:

1. **Checking** is surface cracks in the wood along the grain. A post 4" x 4" (101mm x 101mm) will experience more checking than a board 1" x 4" (25mm x 101mm) because the surface and interior moisture content will vary more widely than in thinner wood.
2. **Warping** results from any distortion (twisting, cupping) from the original plane of the board and often happens from rapid wetting and drying of the wood.
3. **Fading** happens as a natural change in the wood color as it is exposed to sun-light and will turn a grey over time.

### **How can I reduce the amount of weathering to my Play System?**

At the factory we have coated the wood with a water repellent or stain. This coating decreases the amount of water absorption during rain or snow thus decreasing the tension in the wood. Sunlight will break down the coating, so we recommend applying a water repellent or stain on a yearly basis (see your local stain and paint supplier for a recommended product).

Most weathering is just the normal result of nature and will not affect safe play and enjoyment for your child. However if you are concerned that a part has experienced a severe weathering problem please call our consumer relations department for further assistance.

**Complete and mail registration card to receive important product notifications and assure prompt warranty service.**

# KidKraft Limited Warranty

## MISSING OR DAMAGED PARTS:

KidKraft will replace any parts within 90 days from date of purchase found to be missing from or damaged in the original packaging. See Fig.1

Fig. 1	<u>Product Age (All Parts)</u> 0-90 Days from date of purchase	<u>Consumer Pays</u> \$0 for Part + Free Shipping
--------	---	--

## DEFECTS IN MATERIAL AND WORKMANSHIP:

KidKraft warrants that this product is free from defects in materials and workmanship for a period of one (1) year from the original date of purchase (dated sales receipt and/or product registration is required). This one (1) year warranty covers all parts including wood, hardware, and all accessories (Such as swings, rides, and slides). See Fig. 2

Fig. 2	<u>Product Age (All Parts)</u> 91 Days to 1 Year	<u>Consumer Pays</u> \$0 for Part + Free Shipping
--------	---	--

## WOOD ROT, DECAY, AND INSECT DAMAGE:

All wood carries a five (5) year warranty against rot, decay, and insect damage (dated sales receipt and/or product registration is required). Refer to the schedule below for charges associated with replacement of wood parts under this **Limited Warranty**. See Fig. 3

Fig. 3	<u>Product Age (Wood Parts)</u> 0 Days to 1 Year After 1 Year to 5 Year Over 5 Years	<u>Consumer Pays</u> \$0 for Part + Free Shipping \$0 for Part + Shipping & Handling 100% for Part (if available) + Shipping & Handling
--------	---	--

This warranty applies to the original owner and registrant and is non-transferable. Regular maintenance is required to ensure the integrity of this product. Failure by the owner to maintain the product according to the maintenance requirements may void this warranty.

This Limited Warranty does NOT cover:

- Any inspection cost
- Labor and/or costs for replacement of any defective item(s), including but not limited to, professional installer costs
- Incidental or consequential damages, including but not limited to, as a result of set relocation, move and/or reinstall
- Cosmetic defects which do not affect performance or integrity of a part or the entire product
- Vandalism, improper use or installation, or acts of nature, including but not limited to, high winds, fire, and flood
- Minor twisting, warping, checking, or any natural occurring properties of wood that do not affect performance or integrity.
- Any KidKraft product purchased, including but not limited to, a non-approved retailer, auction houses, second-hand, and as-is clearance items.

KidKraft products have been designed for safety and quality. Modifications made to the original product may damage the structural integrity of the unit leading to failure and possible injury. KidKraft cannot assume any responsibility for the modified products. Furthermore, modifications void all warranties.

This product is warranted for **RESIDENTIAL USE ONLY**. Under no circumstance should a KidKraft product be used in public settings such as schools, churches, playgrounds, parks, home and professional day cares and the like. Such use may lead to product failure and potential injury. Public use will void this warranty. KidKraft disclaims all other representations and warranties of any kind, express or implied.



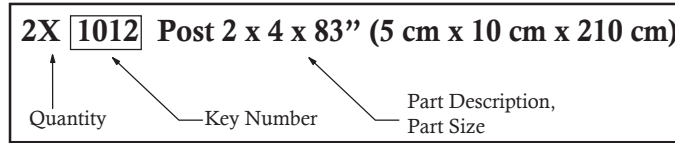
# Keys to Assembly Success

## Tools Required

<ul style="list-style-type: none"> <li>• Tape Measure</li> <li>• Carpenters Level</li> <li>• Carpenters Square</li> <li>• Claw Hammer</li> <li>• Standard or Cordless Drill</li> <li>• Rubber Mallet</li> </ul>	<ul style="list-style-type: none"> <li>• #1 Phillips, #2 Robertson and Screwdriver</li> <li>• Ratchet with extension 1/2" (13mm) &amp; 7/16" (11 mm) sockets</li> </ul>	<ul style="list-style-type: none"> <li>• Open End Wrench 1/2" (13mm) &amp; 7/16" (11 mm)</li> <li>• Adjustable Wrench</li> <li>• 1/8" (3mm) &amp; 3/16" (5mm) Drill Bits</li> </ul>	<ul style="list-style-type: none"> <li>• 3/16" (5mm) Hex Key</li> <li>• 8' (2.4m) Step Ladder</li> <li>• Safety Glasses</li> <li>• Adult Helpers</li> <li>• Pencil</li> </ul>
---	---	---	---

### Part Identification Key

On each page, you will find the parts and quantities required to complete the assembly step illustrated on that page. Here is a sample.



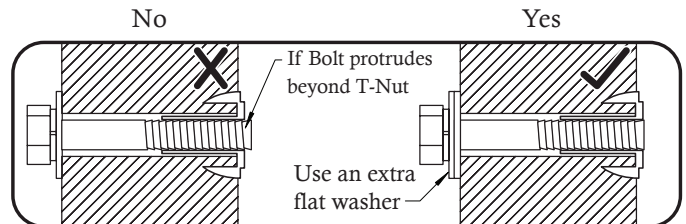
### Symbols

Throughout these instructions symbols are provided as important reminders for proper and safe assembly.

<p>This identifies information that requires special attention. Improper assembly could lead to an unsafe or dangerous condition.</p>	<p>Check that set or assembly is properly level before proceeding.</p> <p>Use Level</p>
<p>Use Help</p> <p>Where this is shown, 2 or 3 people are required to safely complete the step. To avoid injury or damage to the assembly make sure to get help!</p>	<p>Pre-drill 1/8" (3mm) &amp; 3/16" (5mm) Bit</p> <p>Pre-drill a pilot hole before fastening screw or lag to prevent splitting of wood.</p>
<p>Measure Distance</p> <p>Use a measuring tape to assure proper location.</p>	<p>Tighten Bolts</p> <p>This indicates time to tighten bolts, but not too tight! Do not crush the wood. This may create splinters and cause structural damage.</p>
<p>Check that assembly is square before tightening bolts.</p> <p>Square Assembly</p>	

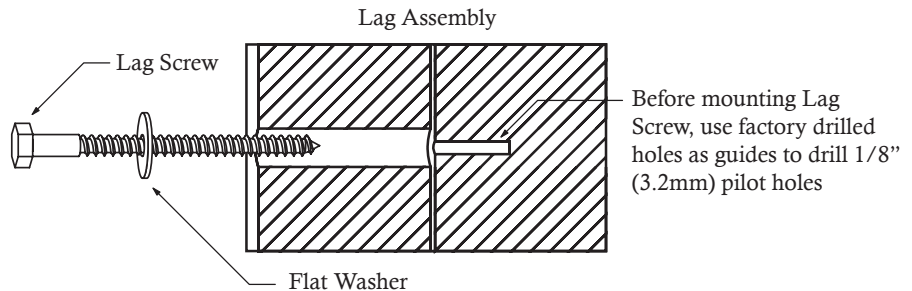
## CAUTION – Protrusion Hazard

Once the assembly is tightened, watch for exposed threads. If a thread protrudes from the T-Nut, remove the bolt and add washers to eliminate this condition. Extra washers have been provided for this purpose.

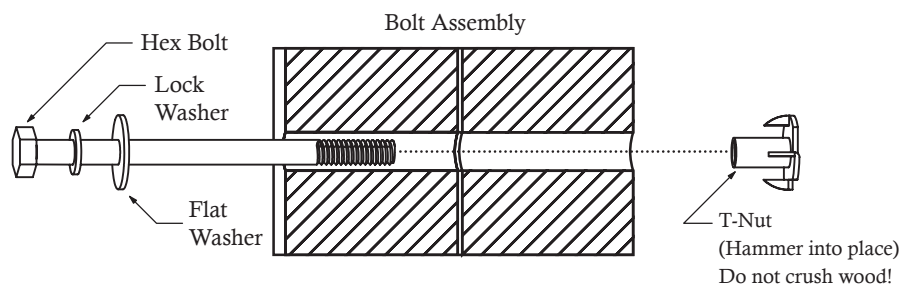


### Proper Hardware Assembly

Lag screws require drilling pilot holes to avoid splitting wood. Only a flat washer is required. For ease of installation liquid soap can be used on all lag-type screws.



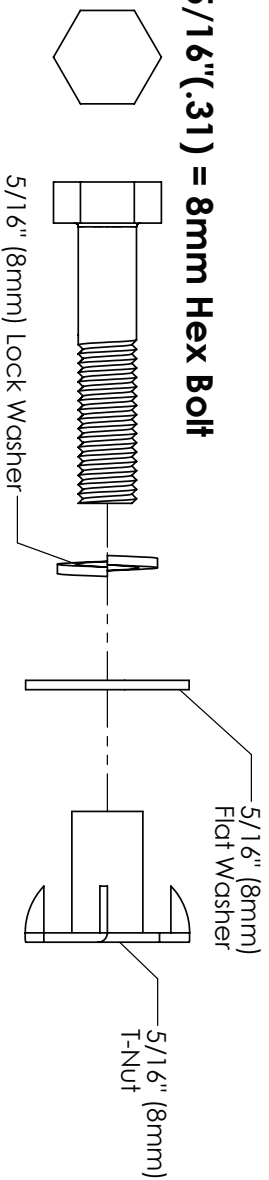
For bolts, tap T-Nut into hole with hammer. Insert the hex bolt through lock washer first then flat washer then hole. Because the assemblies need to be squared do not completely tighten until instructed. Pay close attention to diameter of the bolts. 5/16" (8mm) is slightly larger than 1/4" (6.4mm).



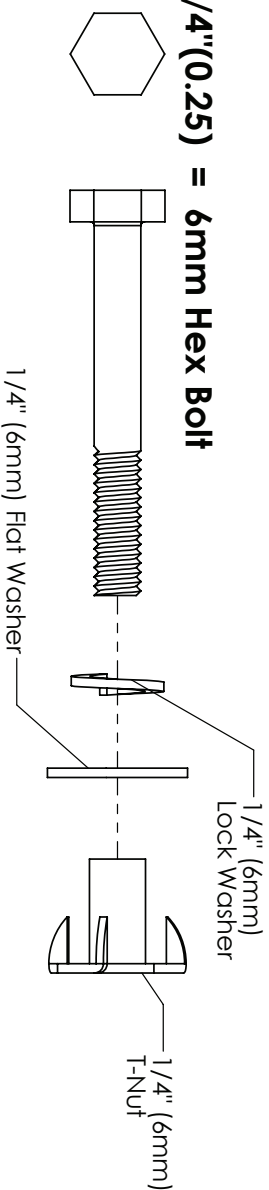
Note: Wafer head bolts with blue lock tight or a bolt with a Ny-Lok nut do NOT require a lock washer.

# KIDKRAFT DESIGN HARDWARE

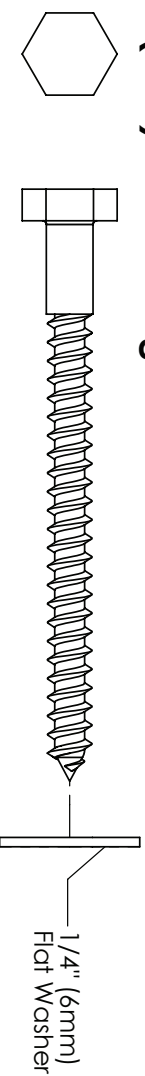
**5/16"(.31) = 8mm Hex Bolt**



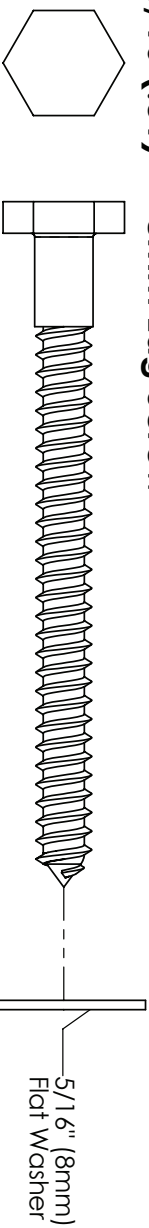
**1/4"(0.25) = 6mm Hex Bolt**



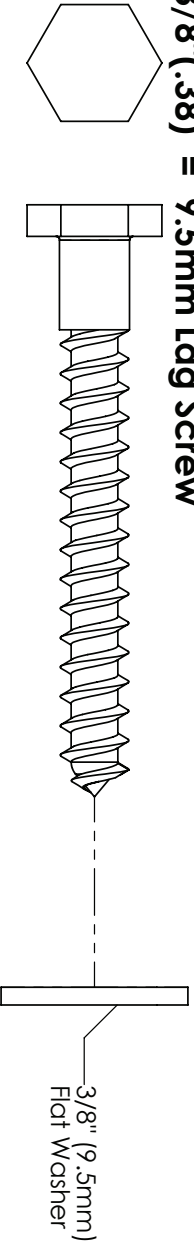
**1/4"(0.25) = 6mm Lag Screw**



**5/16"(.31) = 8mm Lag Screw**



**3/8"(.38) = 9.5mm Lag Screw**



**HARDWARE LENGTH CHART**  
inches vs millimetres

6	152
5½	140
5	127
4½	114
4	102
3½	89
3	76
2½	64
2	51
1½	38
1¼	32
1-1/8	29
1	25.4
7/8	22
3/4	19
1/2	12.7

## DIAMETER CONVERSION

1 inch = 25.4mm

**For example:**

BOLT DIAMETER 5/16 (0.31) inches

0.31 inches x 25.4mm = 8mm

## LENGTH CONVERSION

1 inch = 25.4mm

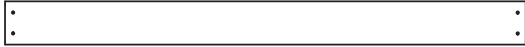
**For example:**

BOLT LENGTH 4½ (4.5) inches long

4.5 inches x 25.4mm = 114mm long

# Part Identification

1pc. - **[2648]** - 1 x 4 x 40-5/8" - Floor Board **3632648**



8pc. - **[2609]** - 1 x 5 x 40-5/8" - Floor Board **3632609**



2pc. - **[2780]** - 1 x 6 x 19" RK Board A **3632780**



2pc. - **[2779]** - 1 x 6 x 19" Access Board **3632779**



3pc. - **[2781]** - 1 x 6 x 19" RK Board B **3632781**



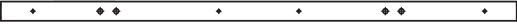
2pc. - **[2778]** - 5/4 x 4 x 14 1/4" SW Ground MOD **3632778**



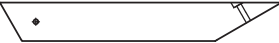
1pc. - **[2616]** - 5/4 x 4 x 46-1/2" SW Support **3632616**



2pc. - **[2777]** - 2 x 2 x 40-1/4" Side Joist MOD **3632777**



2pc. - **[2607]** - 1-1/4 x 3 x 22" Diagonal **3632607**



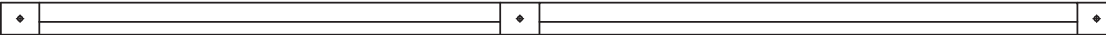
2pc. - **[2776]** - Rock Rail 1 1/4 x 2 1/2 x 51" **3632776**



1pc. - **[2608]** - 1-1/4 x 3 x 40-3/4" Floor Joist **3632608**



3pc. - **[2770]** - End Post Left 1 1/4 x 2 1/2 x 87" **3632770**



3pc. - **[2771]** - End Post 1 1/4 x 2 1/2 x 87" **3632771**



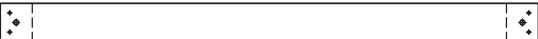
2pc. - **[2772]** - Panel Floor Support 1 1/4 x 3 x 42" **3632772**



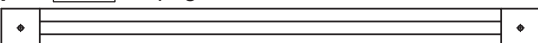
2pc. **[2775]** Panel Cross Support 1 1/4 x 3 x 42" **3632775**



5pc. - **[2769]** - Panel BT Frame 1 1/4 x 3 x 42" **3632769**



2pc. - **[2774]** - Upright 1 1/4 x 3 x 42" **3632774**



2pc. - **[2768]** - Panel Floor 1 1/4 x 3 x 42" **3632768**



1pc. - **[2630]** - SW Top 1 1/4 x 5 1/2 x 42" **39632630**



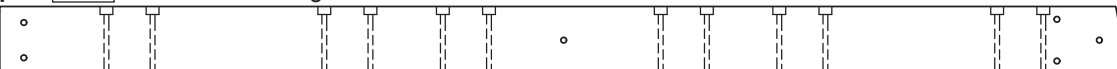
2pc. - **[2613]** - 2 x 3 x 86-11/16" Heavy SW Post **3632613**



1pc. - **[2615]** - 4 x 4 x 50-15/16" - SW Upright **3632615**



1pc. - **[2614]** - 4 x 6 x 88" - Engineered Beam **3632614**



1pc. - **[2757]**  
LT Post Assembly  
1 1/4 x 2 1/2 x 87"  
**37632757**



1pc. - **[2758]**  
RT Post Assembly  
1 1/4 x 2 1/2 x 87"  
**37632758**

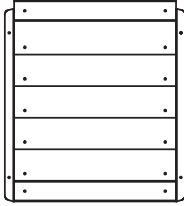




# Part Identification

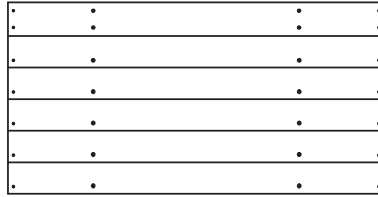
1pc. - **[649A]**

Short Half Wall - 1.27 x 18.8 x 20-15/16"  
37632649A

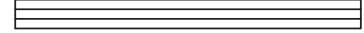


2pc. - **[2756]**

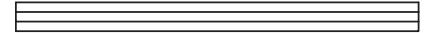
Siding Assembly 1¼ x 19-15/16 x 39-3/16"  
37632756



1pc. - **[2602]** -Upper Jamb 1¼ x 3 x 35-15/16"  
3632602

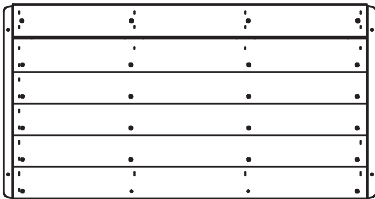


1pc. - **[2601]** -Lower Jamb 1¼ x 3 x 41-15/16"  
3632601

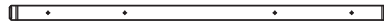


1pc. - **[2665]**

Half Wall Insert - 1.4 x 20¼ x 38.8"  
37632665



1pc. - **[2612]** - 2 x 2 x 39-5/8" - Table Support  
3632612



1pc. - **[2611]** - 5/4 x 5 x 39-5/8" - Table Top  
3632611



2pc. - **[2786]** - 1-1/4 x 2-1/4 x 70-3/4" - Roof Side  
3632786



1pc. - **[2787]** - 1-1/4 x 2-1/4 x 43-1/4" - Roof Top  
3632787



2pc. - **[2784]** - 1-1/4 x 2-1/4 x 43-1/4" - Roof End  
3632784



2pc. - **[2785]** - 1-1/4 x 2-1/4 x 29-1/2" - Roof Upright  
3632785



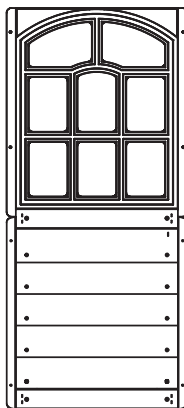
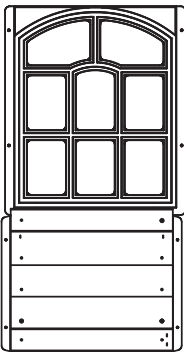
1pc. - **[2715]** - 5/4 x 3 x 10"

Door Stop  
3632715

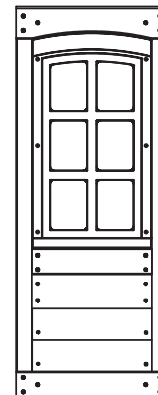


2pc. - **[2655]**

Upper Window Insert  
1.27 x 18.8 x 35.86"  
37632655



1pc. - **[2649]**  
Lower Window Insert 1.27 x 18.8 x 41.91"  
37632649

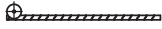


1pc. - **[2709]**  
1-1/4 x 15-3/4 x 40-3/4 - Door Window Panel  
37602709B

# Part Identification

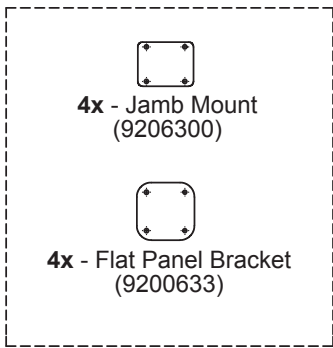


2x - MOD 3 Pane Transom  
(9320138)



6x - Rebar Ground Stake  
(9290318)

1x - Treasure Cove Bracket Set



4x - Jamb Mount  
(9206300)

4x - Flat Panel Bracket  
(9200633)

1x - Rocks (5pk)  
(3320386)



1x - Hand Grip  
Yellow (9320240)



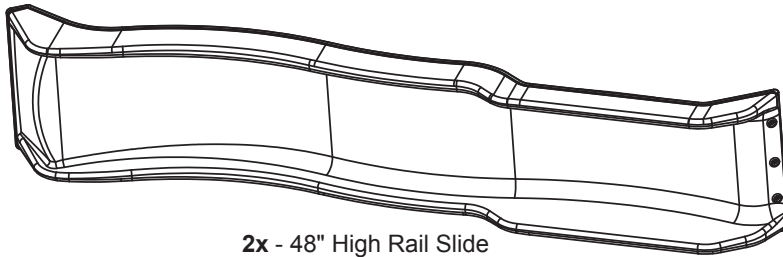
6x - Swing Hanger  
(9200106)



2x - L Beam Brkt.  
(9200145)



1x - KidKraft ID Plaque  
(9320374)

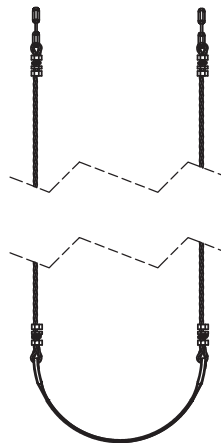


2x - 48" High Rail Slide  
(7310149-1)



1x - Treasure Cove Canopy  
(9753860)

2x - Long Belt Swing  
(3724939)  
Yellow

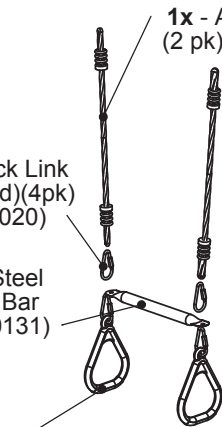


1x - Acro Rope  
(2 pk) (3502024)

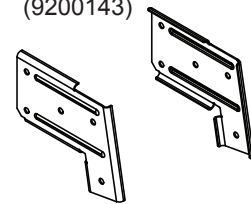
1x - Quick Link  
(Threaded)(4pk)  
(3200020)

1x - Steel  
Acro Bar  
(9200131)

2x - Acro Handle  
(9320131)

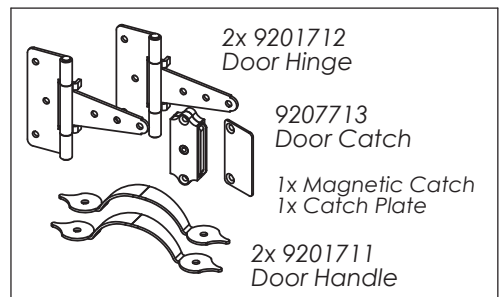


1x - Beam Bracket Right  
(9200143)



1x - Beam Bracket Left (9200144)

1x - Door Hardware



2x 9201712  
Door Hinge

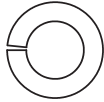
9207713  
Door Catch

1x Magnetic Catch  
1x Catch Plate

2x 9201711  
Door Handle

# Hardware Identification (Actual Size)

(14) **LW2** - 5/16" Lock Washer - (51303300)



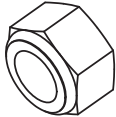
(39) **LW1** - 1/4" Lock Washer - (51303200)



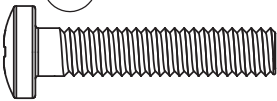
(12) **FW3** - #8 Flat Washer - (51003500)



(23) **LN2** - 5/16" Lock Nut - (54303300)



(5) **PB2** - Pan Bolt 1/4 x 1-1/4" - (53433212)



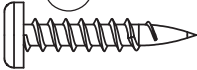
(16) **S13** - Pan Screw #6 x 5/8" - (52413908)



(12) **S5** - Pan Screw #8 x 1/2" - (52433502)



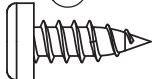
(5) **S10** - Pan Screw #8 x 1" - (52433510)



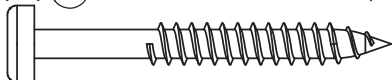
(79) **S0** - Truss Screw #8 x 7/8" - (52933505)



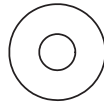
(16) **S8** - Pan Screw #12 x 3/4" - (52433603)



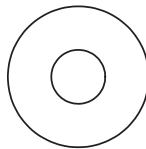
(16) **S7** - Pan Screw #12 x 2" - (52433620)



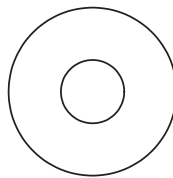
(5) **FW0** - 3/16" Flat Washer - (51103100)



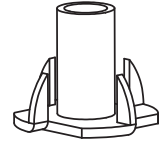
(36) **FW1** - 1/4" Flat Washer - (51103200)



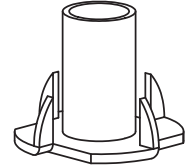
(56) **FW2** - 5/16" Flat Washer - (51103300)



(34) **TN1** - 1/4" T - Nut - (54503200)



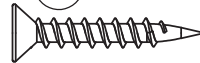
(10) **TN2** - 5/16" T - Nut - (54503300)



(5) **BN1** - 1/4" Barrel Nut - (54803200)



(4) **S18** - Wood Screw #6 x 1" - (52013910)



(56) **S30** - Wood Screw #8 x 1-1/16" - (52043517)



(73) **S20** - Wood Screw #8 x 1-3/8" - (52043516)



(11) **S11** - Wood Screw #8 x 2" - (52043520)



(10) **S3** - Wood Screw #8 x 2-1/2" - (52043522)

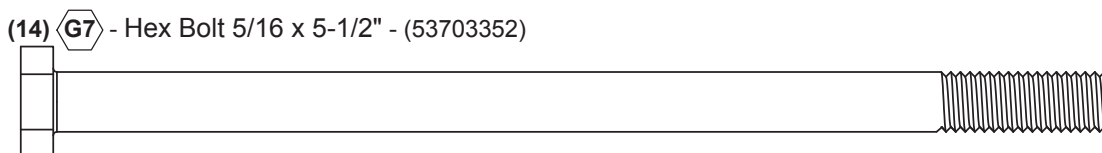
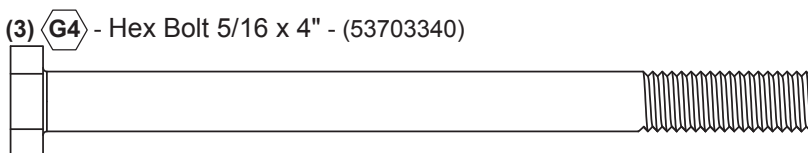
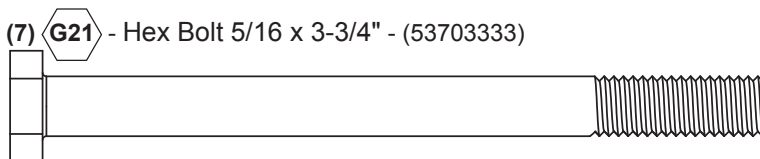
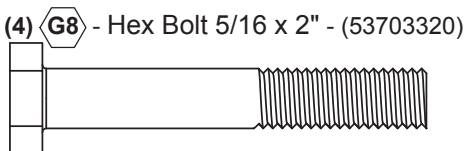
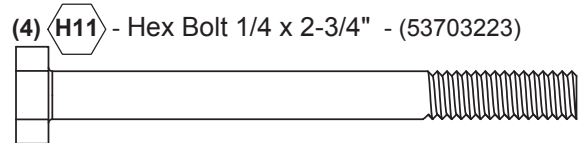
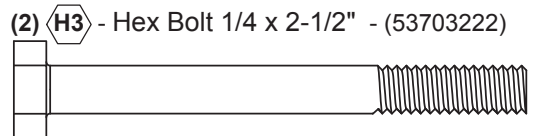
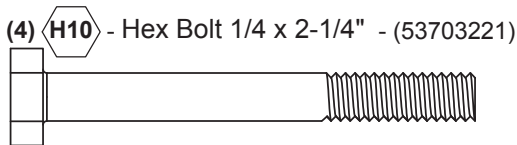
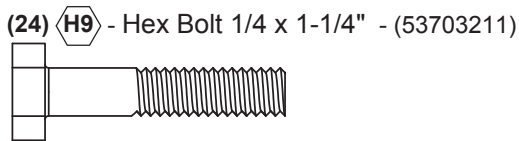
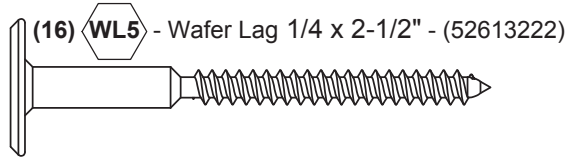
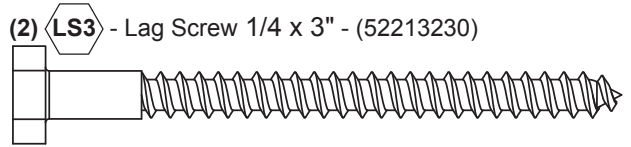
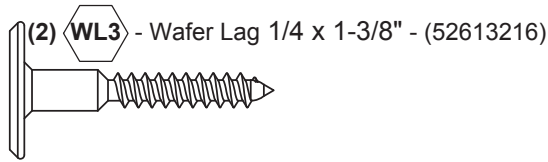
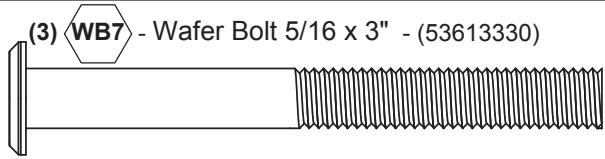


(24) **S4** - Wood Screw #8 x 3" - (52043530)

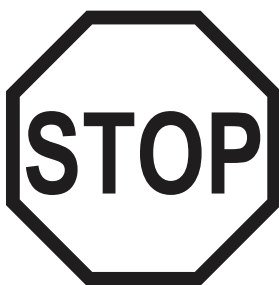
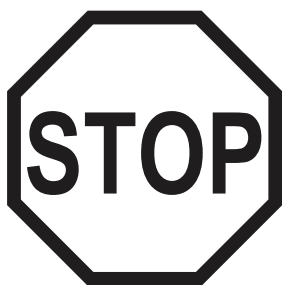
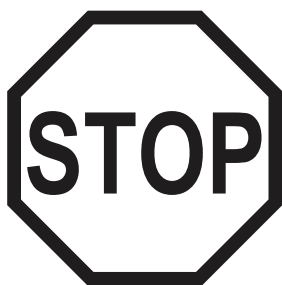




# Hardware Identification (Actual Size)

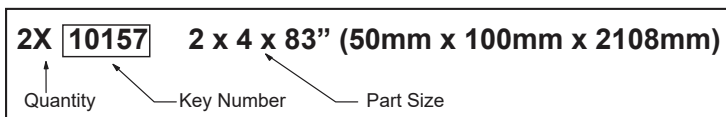


# Step 1: Inventory Parts - Read This Before Starting Assembly



Inventory should be completed before starting installation. KidKraft will not cover costs of any additional installation trip due to missing or damaged pieces.

- A.** This is the time for you to inventory all your hardware, wood and accessories, referencing the parts identification sheets. This will assist you with your assembly.
- The wood pieces will have the key number stamped on the ends of the boards. Organize the wood pieces by step, as per the key numbering system below.



- B.** Read the assembly manual completely, paying special attention to ANSI warnings; notes; and safety/maintenance information on pages 1 - 8.

**If there are missing or damaged pieces,  
please contact the KidKraft Consumer Engagement team  
before going back to the retailer.**

## Order Replacement Parts 24/7

You can order replacement parts for this product 24 hours a day / 7 days a week:

**Outdoor Swingsets and Playhouse Parts Ordering**

**<https://parts.kidkraft.com/partsorderemail>**

If you have assembly or product questions, please refer to the front cover for direct contact information for our Consumer Engagement team OR you can also use this QR code with your smartphone for common questions and contact information.



**KidKraft Help Center**      **<https://kidkraft.zendesk.com/hc/en-us/>**

# Step 1: Front and Back Wall Prep Part 1



*It is important to assemble the frame on a flat, smooth surface.*

**A:** Place (2771) End Post and (2770) End Post Left side by side with the grooves facing up and in. Put (2770) End Post Left on the right hand side. Place (2775) Panel Cross Support in the top grooves, (2772) Panel Floor Support in the middle grooves and (2769) Panel BT Frame in the bottom grooves. (fig. 1.1)

**B:** Make sure assembly is square then attach with 4 (S30) #8 x 1-1/16" Wood Screws per board. (fig. 1.1)

**C:** Tap 3 (TN1) 1/4" T-nuts in (2775) Panel Cross Support and (2772) Panel Floor Support and 2 in (2769) Panel BT Frame. (fig. 1.1 and 1.2)

Fig. 1.1

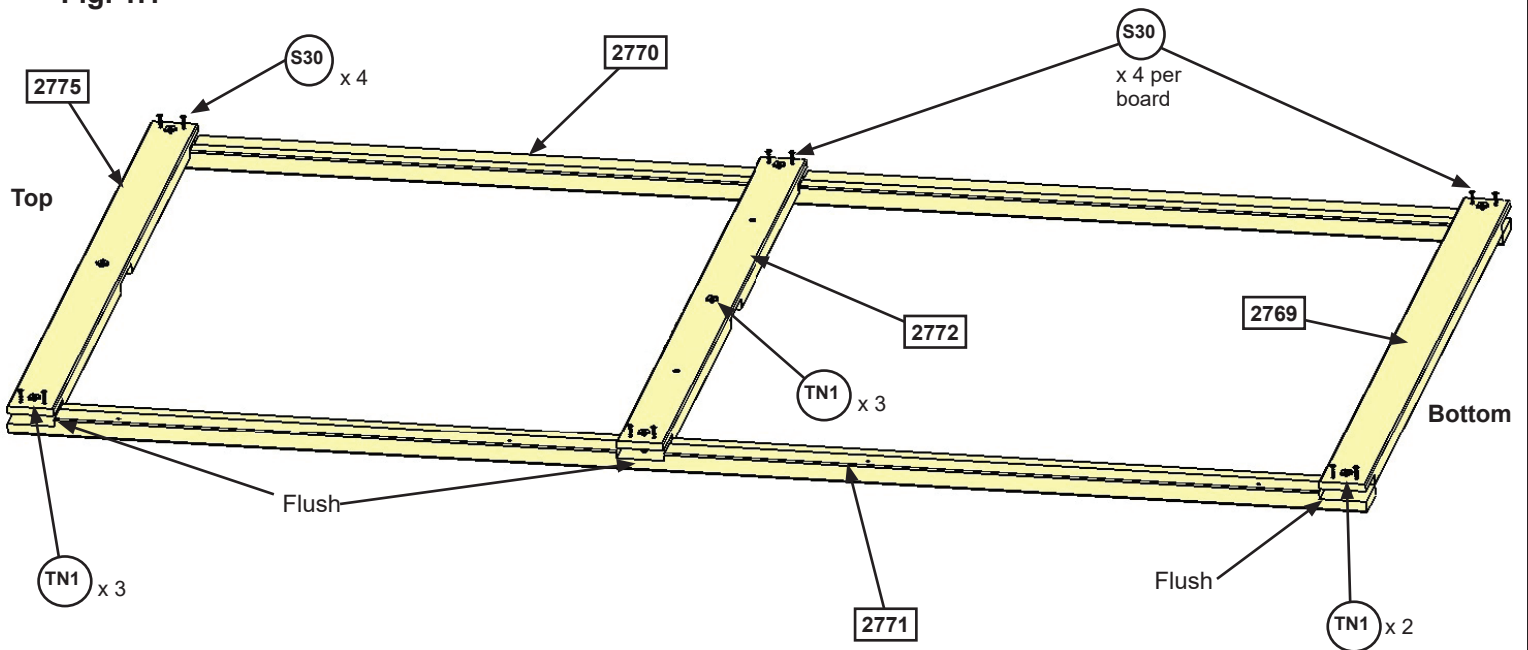
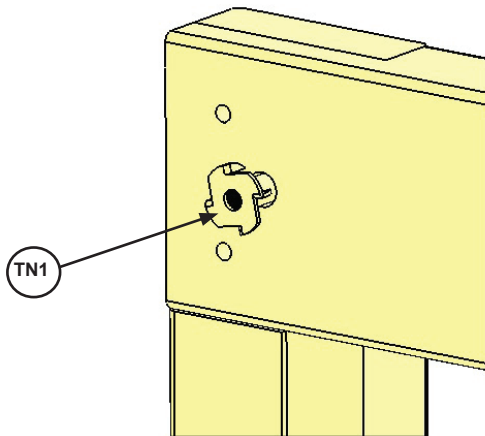


Fig. 1.2



### Wood Parts

2 x		End Post 1-1/4 x 2-1/2 x 87"
2 x		End Post Left 1-1/4 x 2-1/2 x 87"
2 x		Panel Cross Support 1-1/4 x 3 x 42"
2 x		Panel Floor Support 1-1/4 x 3 x 42"
2 x		Panel BT Frame 1-1/4 x 3 x 42"

### Hardware

24 x		#8 x 1-1/16" Wood Screw
16 x		1/4" T-nut

# Step 1: Front and Back Wall Prep Part 2



*It is important to assemble the frame on a flat, smooth surface.*

**D:** Turn the assembly over, place (2774) Upright in the middle grooves of (2775) Panel Cross Support and (2772) Panel Floor Support then attach all boards with 8 (H9) 1/4 x 1-1/4" Hex Bolts (with lock washer and flat washer) connecting to the previously installed t-nuts. (fig. 1.3 and 1.4)

**E:** Repeat steps A-D for a second assembly.

Fig. 1.3

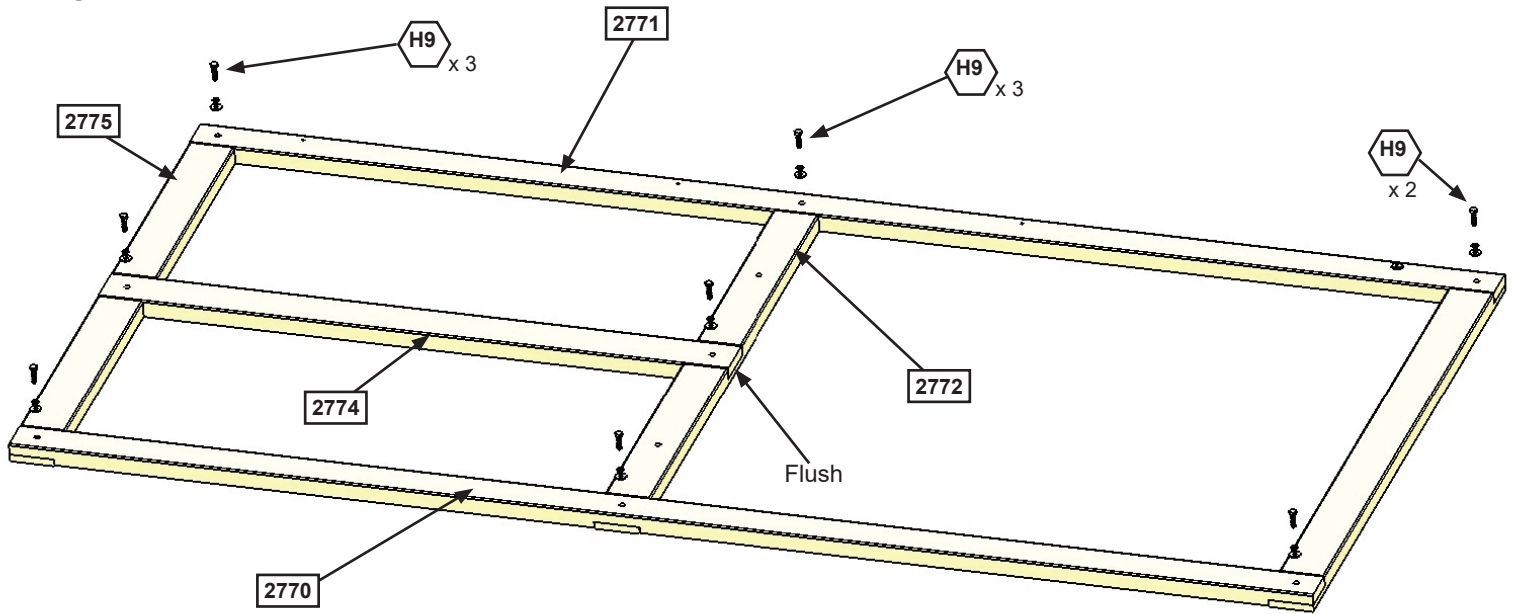
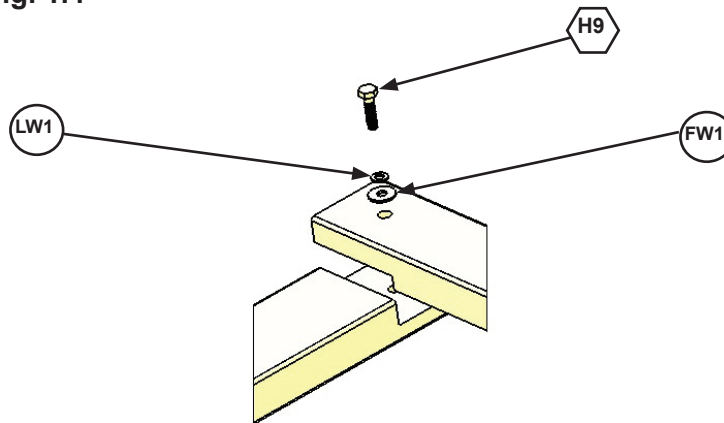


Fig. 1.4



### Wood Parts

2 x 2774 Upright 1-1/4 x 3 x 42"

### Hardware

16 x H9 1/4 x 1-1/4" Hex Bolt  
(1/4" lock washer & 1/4" flat washer)

# Step 2: End Wall Prep Part 1

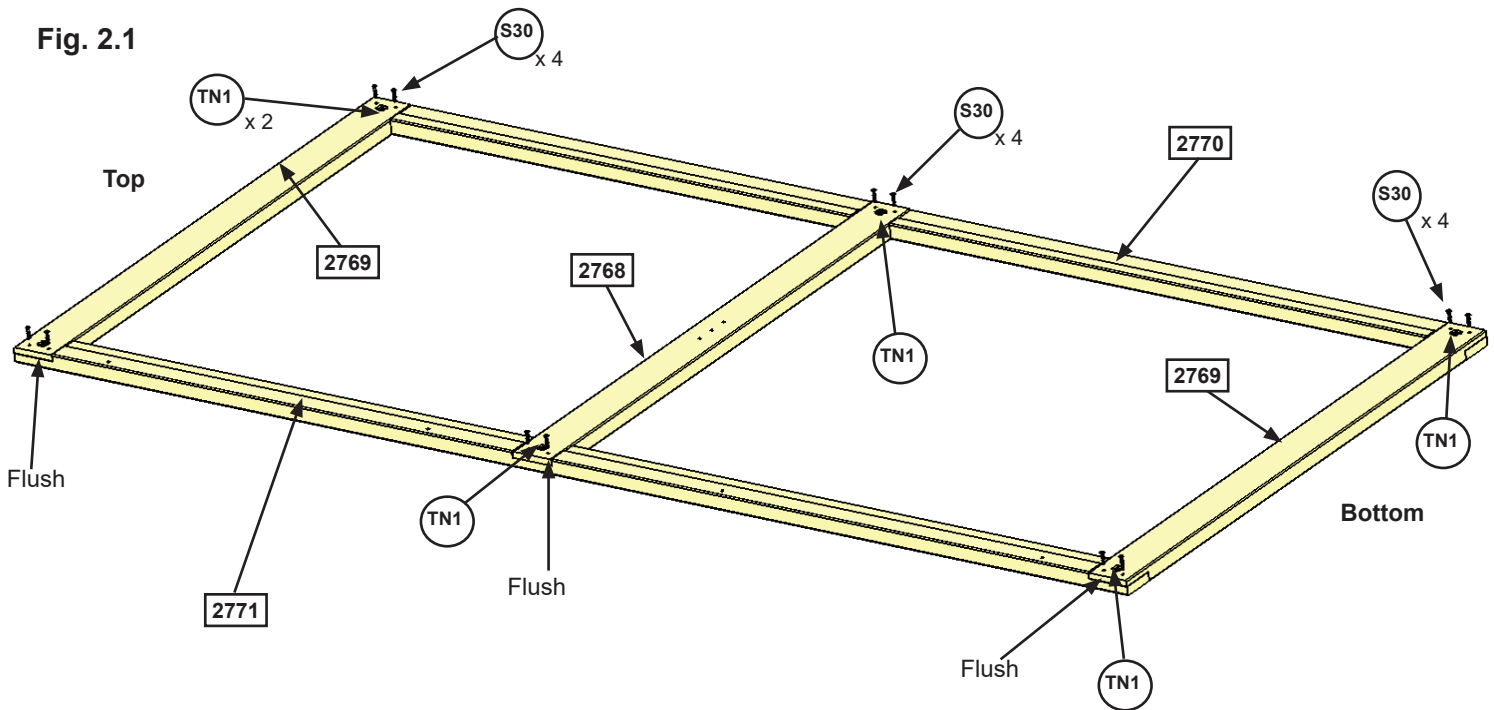


*It is important to assemble the frame on a flat, smooth surface.*

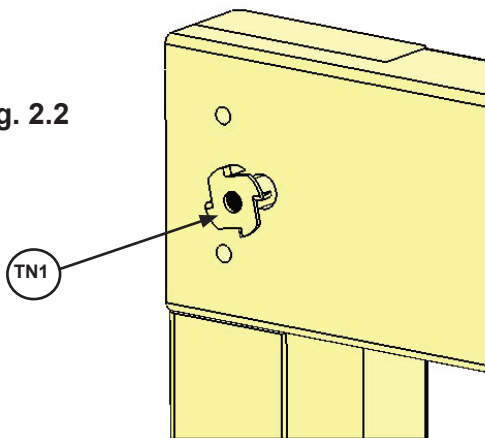
**A:** Place (2771) End Post and (2770) End Post Left side by side with the grooves facing up and in. (2770) End Post Left on the right hand side. Place (2769) Panel BT Frames in the top and bottom grooves and (2768) Panel Floor in the middle grooves. (fig. 2.1)

**B:** Make sure assembly is square then attach with 4 (S30) #8 x 1-1/16" Wood Screws per board. (fig. 2.1)

**C:** Tap in 2 (TN1) 1/4" T-nuts in (2768) Panel Floor and each (2769) Panel BT Frame. (fig. 2.1 and 2.2)



**Fig. 2.2**



### Wood Parts

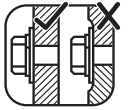
- 1 x 2768 Panel Floor 1-1/4 x 3 x 42"
- 2 x 2769 Panel BT Frame 1-1/4 x 3 x 42"
- 1 x 2771 End Post 1-1/4 x 2-1/2 x 87"
- 1 x 2770 End Post Left 1-1/4 x 2-1/2 x 87"

### Hardware

- 12 x S30 #8 x 1-1/16" Wood Screw
- 6 x TN1 1/4" T-nut



# Step 2: End Wall Prep Part 2



*It is important to assemble the frame on a flat, smooth surface.*

**D:** Turn the assembly over then attach all boards with 6 (H9) 1/4 x 1-1/4" Hex Bolts (with lock washer and flat washer) connecting to the previously installed t-nuts. (fig. 2.3 and 2.4)

Fig. 2.3

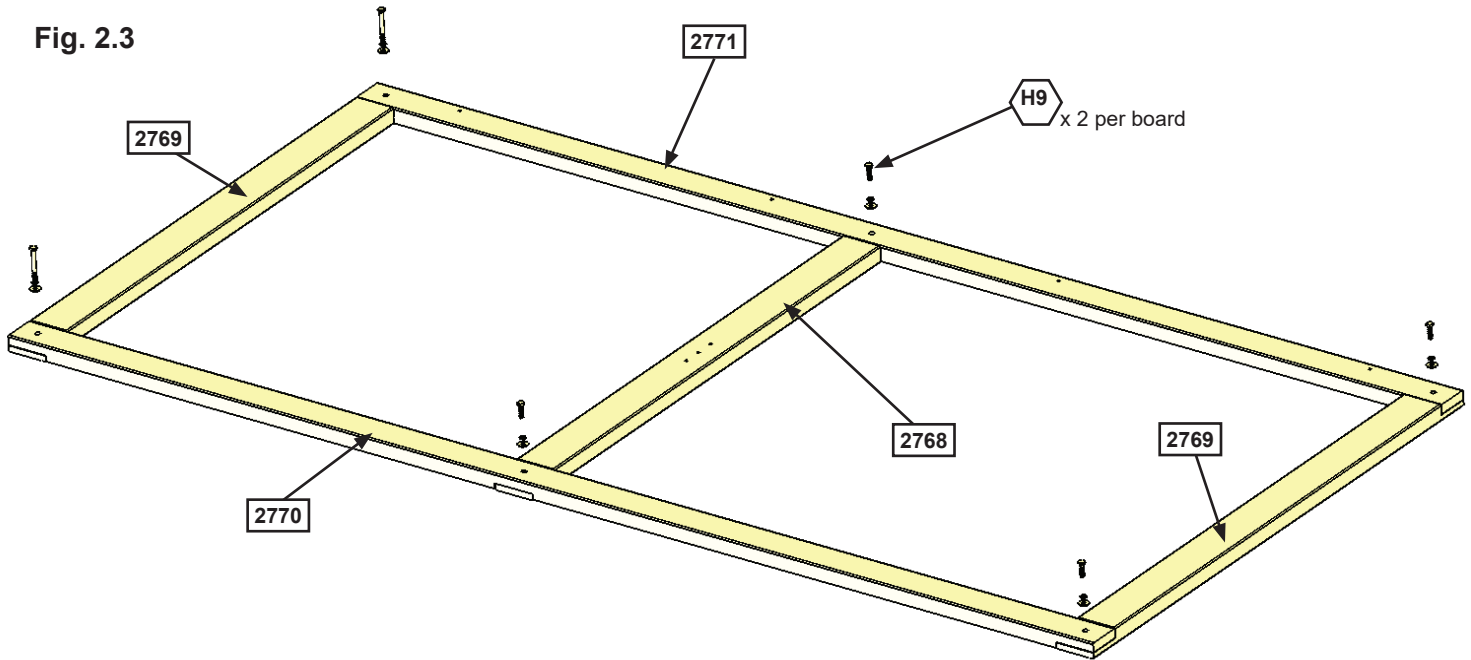
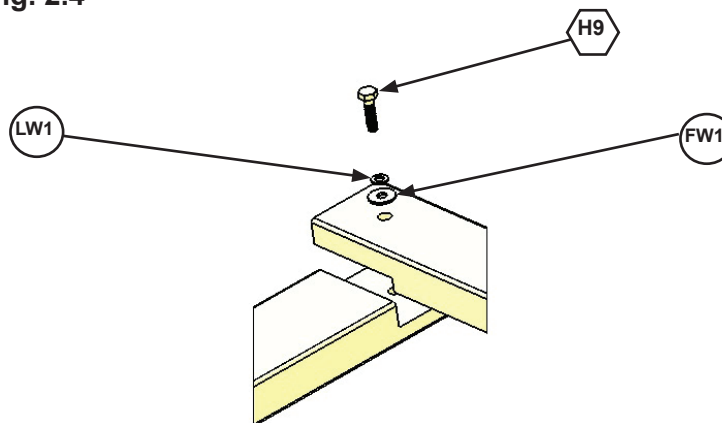


Fig. 2.4



### Hardware

6 x  1/4 x 1-1/4" Hex Bolt  
(1/4" lock washer & 1/4" flat washer)

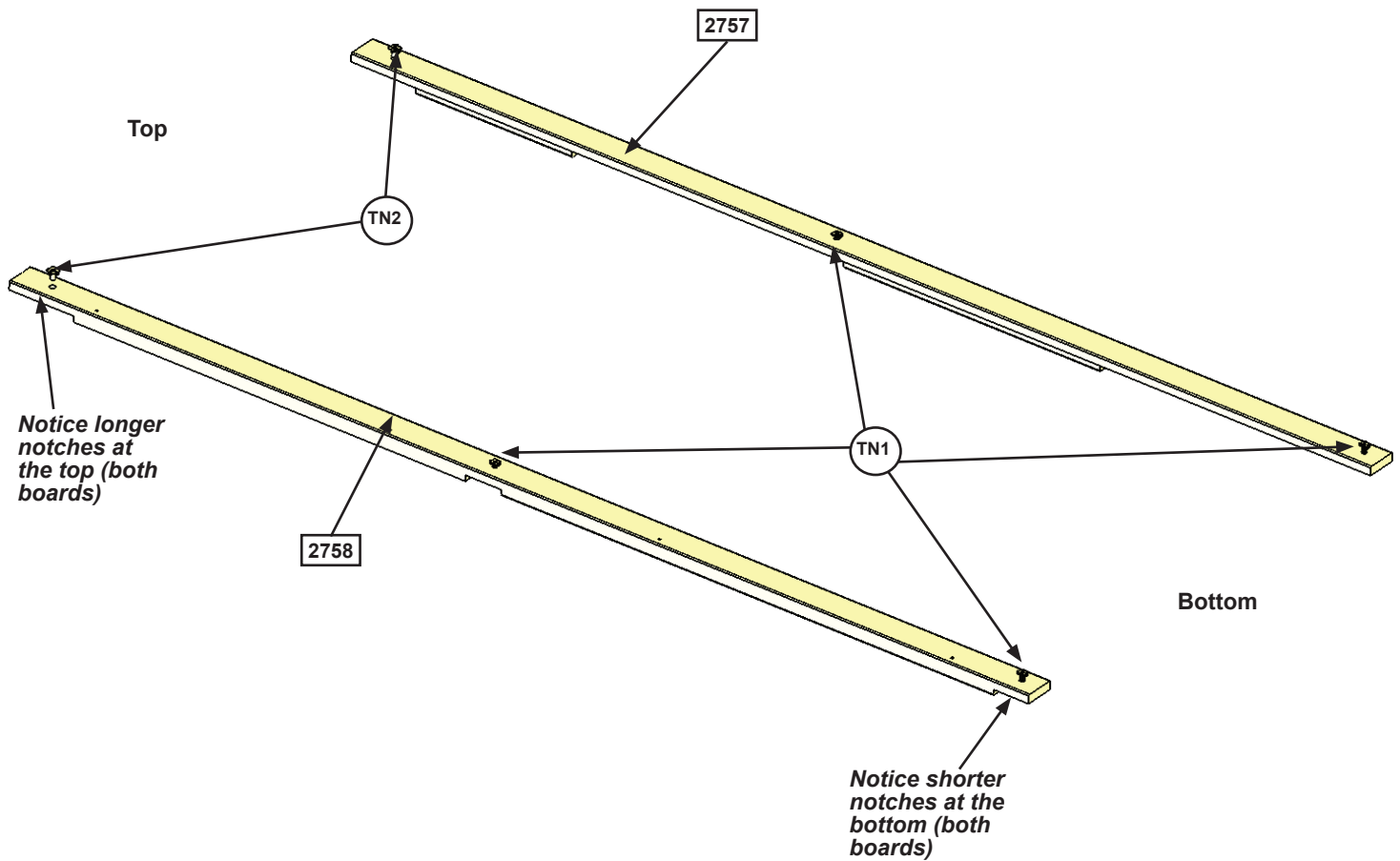
# Step 3: Swing Wall Prep Part 1

*It is important to assemble the frame on a flat, smooth surface.*

**A:** Place (2757) LT Post Assembly and (2758) RT Post Assembly on a hard, flat surface with the notches facing down. The top of the post assemblies have the longer notches. (fig. 3.1)

**B:** Tap 1 (TN2) 5/16" T-nut in the top holes and 1 (TN1) 1/4" T-nut in the middle and bottom holes. (fig. 3.1)

Fig. 3.1



## Wood Parts

- 1 x LT Post Assembly 1-1/4 x 2-1/2 x 87"
- 1 x RT Post Assembly 1-1/4 x 2-1/2 x 87"

## Hardware

- 2 x 5/16" T-nut
- 4 x 1/4" T-nut

# Step 3: Swing Wall Prep Part 2



*It is important to assemble the frame on a flat, smooth surface.*

**C:** Turn the (2757) LT Post Assembly and (2758) RT Post Assembly over and place 2 (2756) Siding Assemblies on top so one sits flush with the top of the middle groove and the second fits flush with the top of the bottom groove. (fig. 3.2 and 3.3)

**D:** Place (2630) SW Top in the top grooves, (2768) Panel Floor in the middle grooves and (2769) Panel BT Frame in the bottom grooves so they sit flush to the outside edges of (2757) LT Post Assembly and (2758) RT Post Assembly. Make sure the assembly is square then attach with 4 (S30) #8 x 1-1/16" Wood Screws per board. (fig. 3.4)

Fig. 3.2

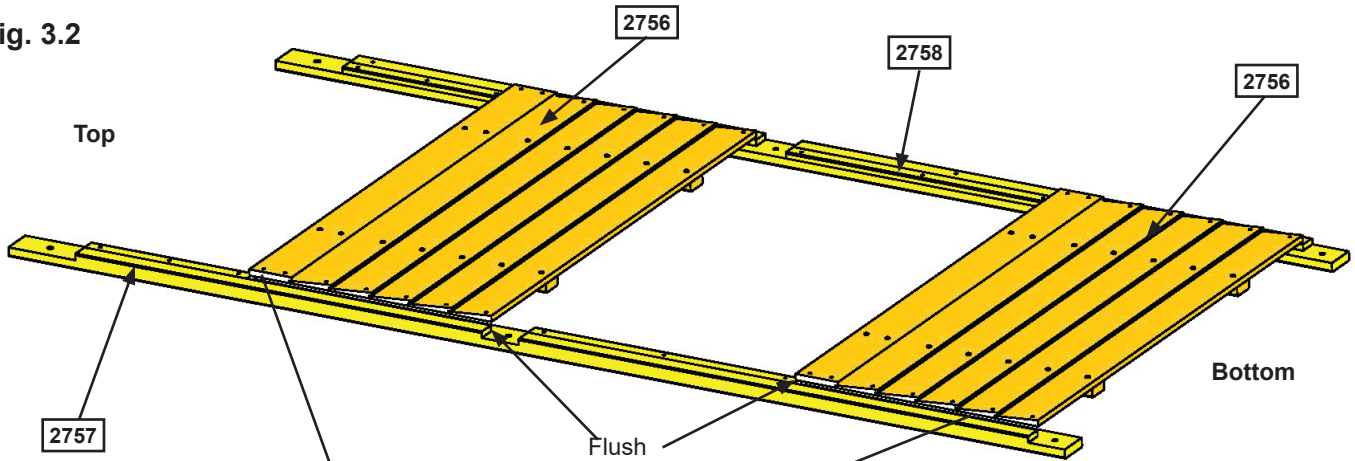
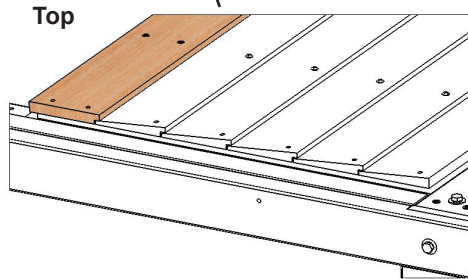
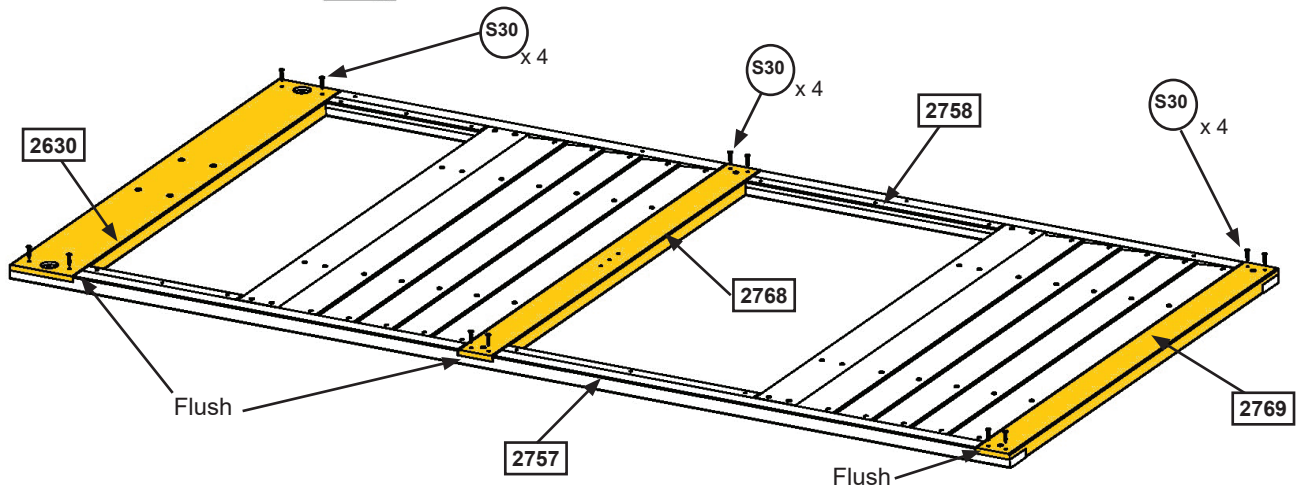


Fig. 3.3



*Notice Orientation of both (2756) Siding Assemblies.*

Fig. 3.4



### Wood Parts

- 2 x 2756 Siding Assembly 1-1/4 x 19-15/16 x 39-3/16"
- 1 x 2630 SW Top 1-1/4 x 5-1/2 x 42"
- 1 x 2768 Panel Floor 1-1/4 x 3 x 42"
- 1 x 2769 Panel BT Frame 1-1/4 x 3 x 42"

### Hardware

- 12 x S30 #8 x 1-1/16" Wood Screw

# Step 3: Swing Wall Prep Part 3



**It is important to assemble the frame on a flat, smooth surface.**

**E:** Attach (2630) SW Top to (2757) LT Post Assembly and (2758) RT Post Assembly with 2 (WB1) 5/16 x 1" Wafer Bolts (with flat washer) connecting to previously installed t-nuts. (fig. 3.5 and 3.6)

**F:** Attach (2768) Panel Floor to (2757) LT Post Assembly and (2758) RT Post Assembly with 2 (H9) 1/4 x 1-1/4" Hex Bolts (with lock washer and flat washer) connecting to previously installed t-nuts. (fig. 3.5)

**G:** Place 1 (2778) SW Ground MOD to each side of (2769) Panel BT Frame, notice the hole locations and attach with 1 (H10) 1/4 x 2-1/4" Hex Bolt (with lock washer and flat washer) per board connecting to previously installed t-nuts. (fig. 3.5 and 3.7)

**H:** Place 1 (2607) Diagonal under (2778) SW Ground MOD on the right hand side so the top sits against (2758) RT Post Assembly and loosely attach with 1 (H10) 1/4 x 2-1/4" Hex Bolt (with lock washer, flat washer and t-nut). (fig. 3.5 and 3.7)

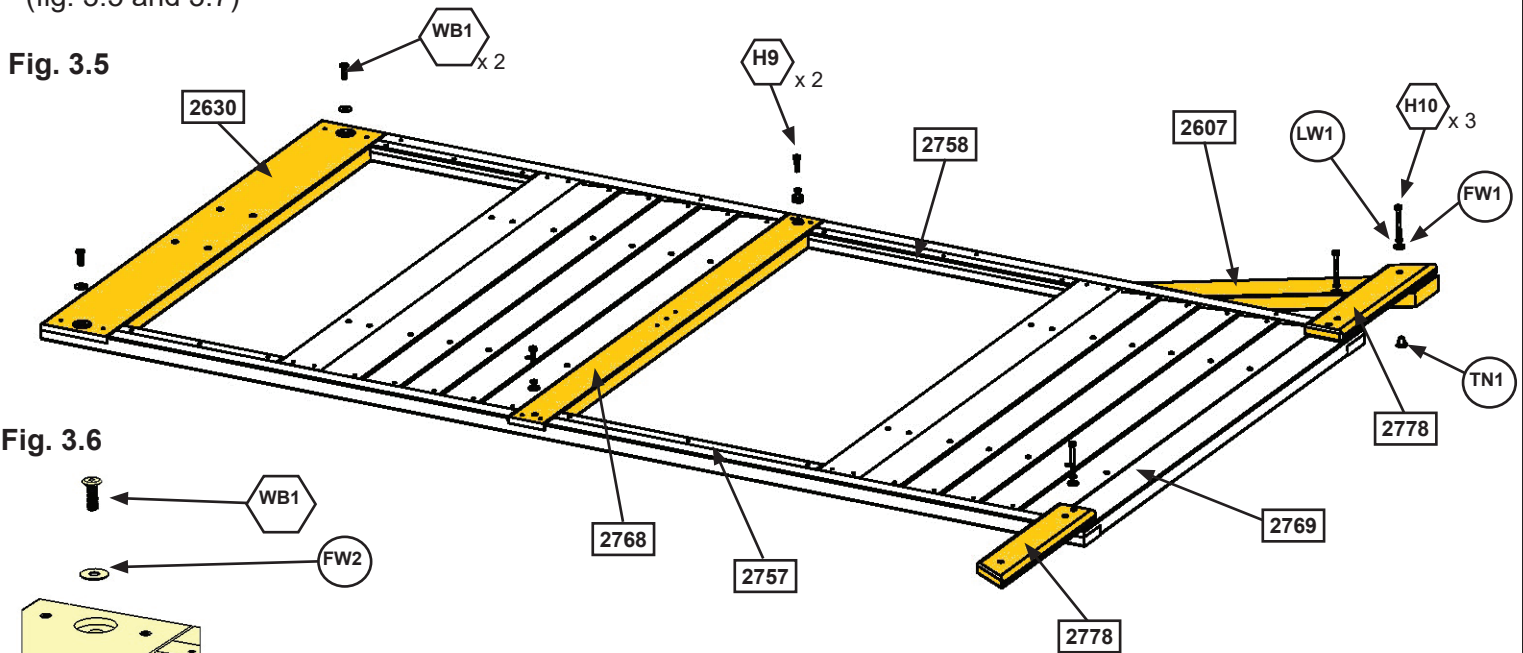


Fig. 3.6

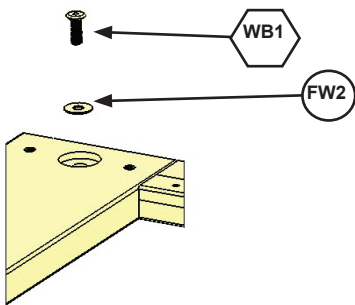
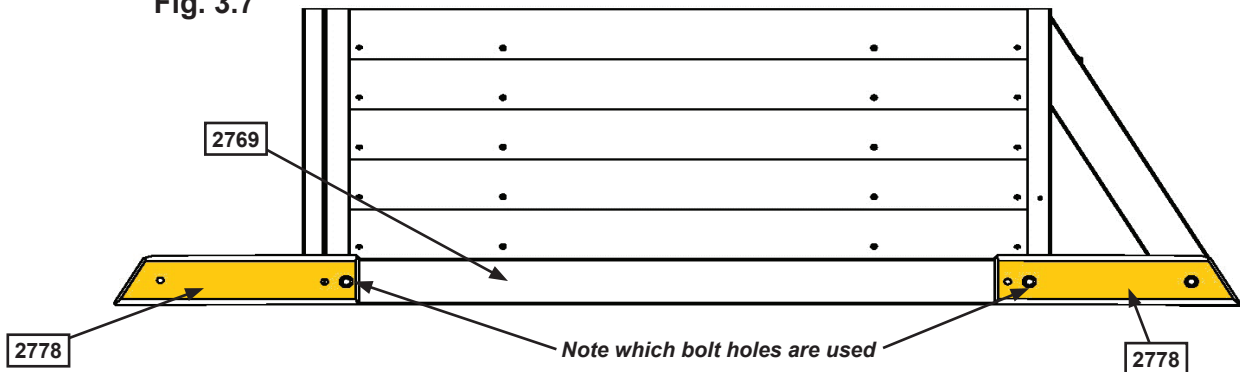


Fig. 3.7



### Wood Parts

- 2 x SW Ground MOD 5/4 x 4 x 14-1/4"
- 1 x Diagonal 1-1/4 x 3 x 22"

### Hardware

- 2 x 5/16 x 1" Wafer Bolt (5/16" flat washer)
- 2 x 1/4 x 1-1/4" Hex Bolt (1/4" lock washer, 1/4" flat washer)
- 3 x 1/4 x 2-1/4" Hex Bolt (1/4" lock washer, 1/4" flat washer and 1 1/4" t-nut)

# Step 3: Swing Wall Prep Part 4

*It is important to assemble the frame on a flat, smooth surface.*

**I:** Attach the top board in each (2756) Siding Assembly to (2757) LT Post Assembly and (2758) RT Post Assembly with 4 (S30) #8 x 1-1/16" Wood Screws per board. (fig. 3.8 and 3.9)

**J:** Attach the remaining boards in each (2756) Siding Assembly to (2757) LT Post Assembly and (2758) RT Post Assembly with 2 (S0) #8 x 7/8" Truss Screws per board. (fig. 3.8 and 3.9)

Fig. 3.8

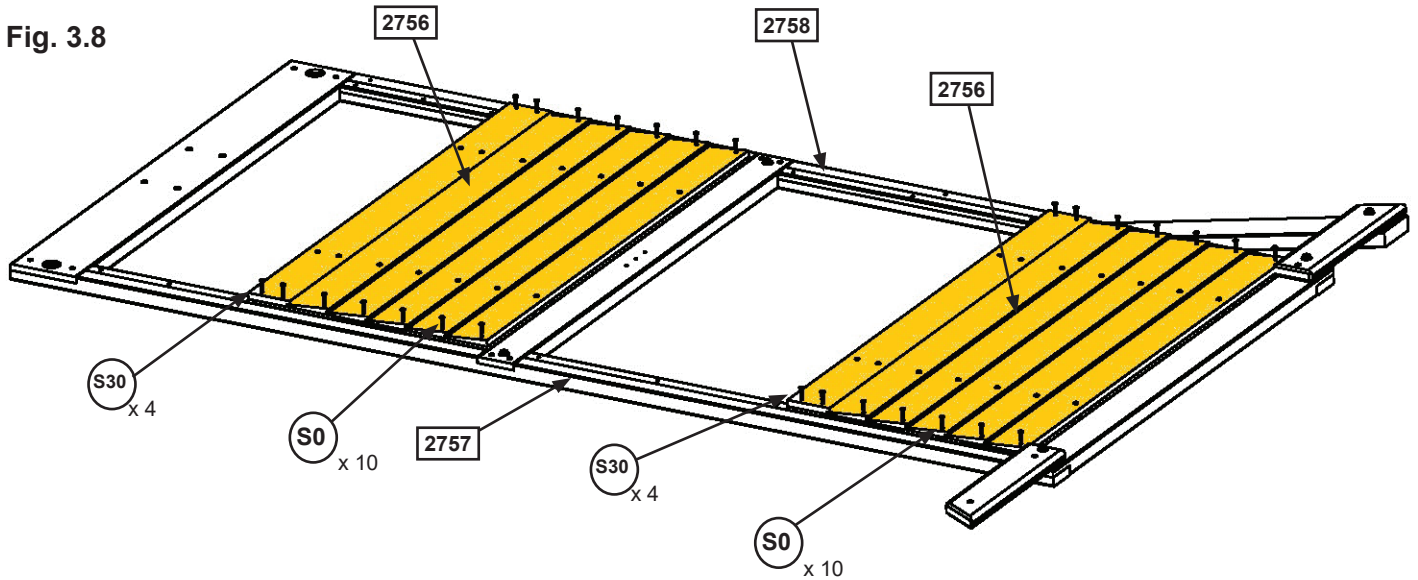
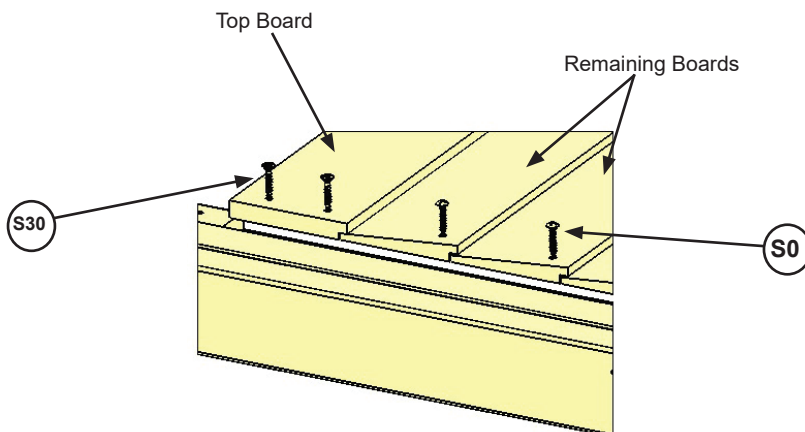


Fig. 3.9



### Hardware

8 x (S30) #8 x 1-1/16" Wood Screw

20 x (S0) #8 x 7/8" Truss Screw

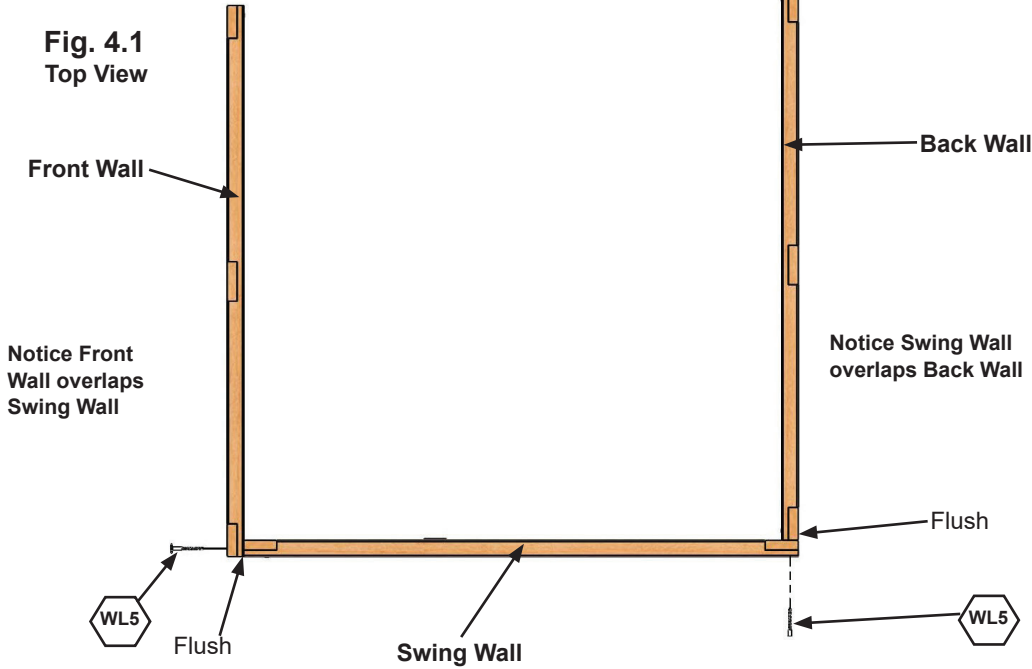


# Step 4: Frame Assembly Part 1

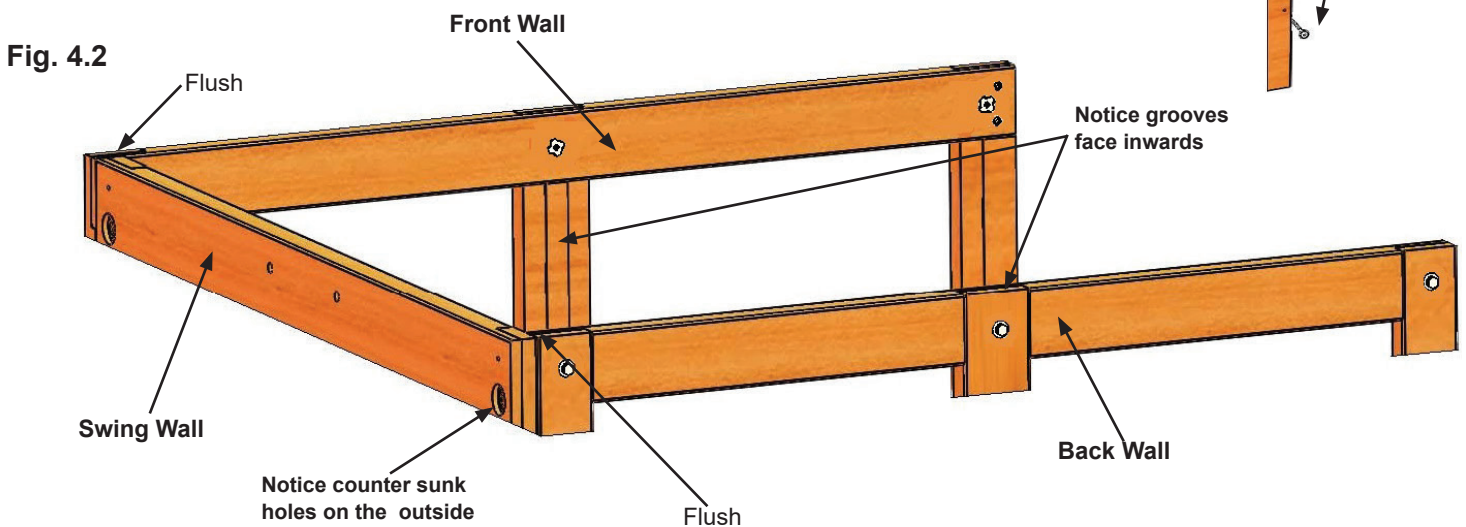
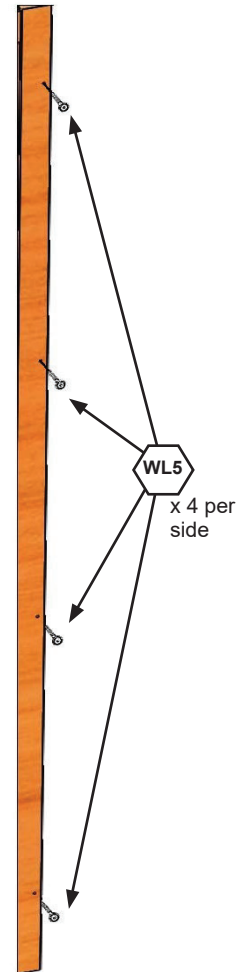


*It is important to assemble the frame on a flat, smooth surface.*

**A:** Place Swing Wall from Step 3 between 2 Front and Back Walls from Step 1, noticing the wall orientations. The tops and bottoms of the walls should be flush. Make sure the walls are square then using the pilot holes as a guide pre-drill with a 3/16" drill bit and fasten the Front Wall to the Swing Wall and Swing Wall to the Back Wall with 4 (WL5) 1/4 x 2-1/2" Wafer Lags per side. (fig. 4.1, 4.2 and 4.3)



**Fig. 4.3**



### Hardware

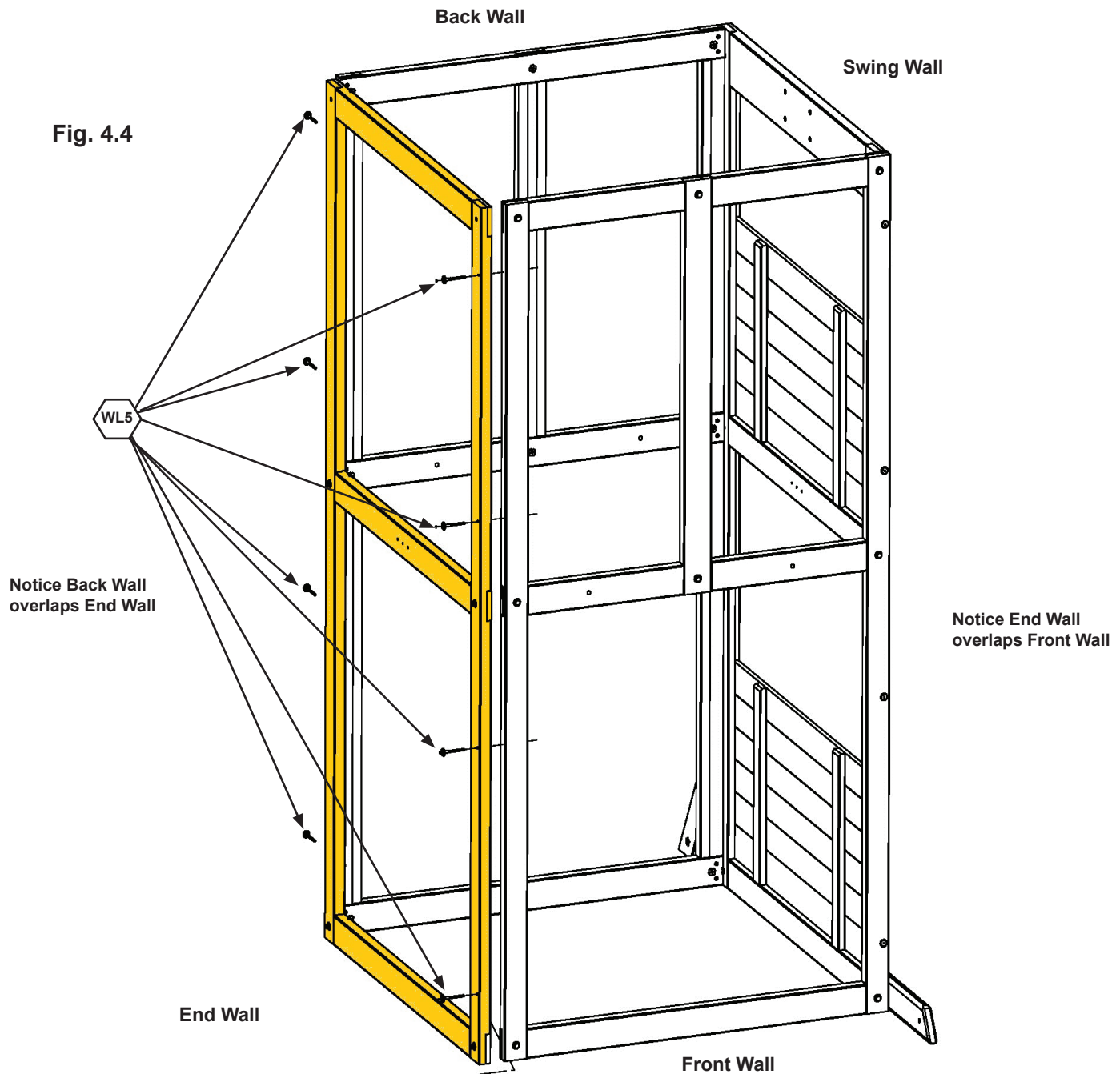
8 x WL5 1/4 x 2-1/2" Wafer Lag

# Step 4: Frame Assembly Part 2




**B:** Place End Wall from Step 2 between the Front Wall and Back Wall noticing the wall orientation. The tops and bottoms of the walls should be flush. Make sure the walls are square then using the pilot holes as a guide pre-drill with a 3/16" drill bit and fasten the Back Wall to the End Wall and End Wall to the Front Wall with 4 (WL5) 1/4 x 2-1/2" Wafer Lags per side. (fig. 4.4)

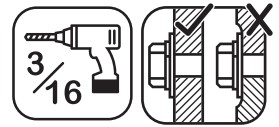
Fig. 4.4



### Hardware

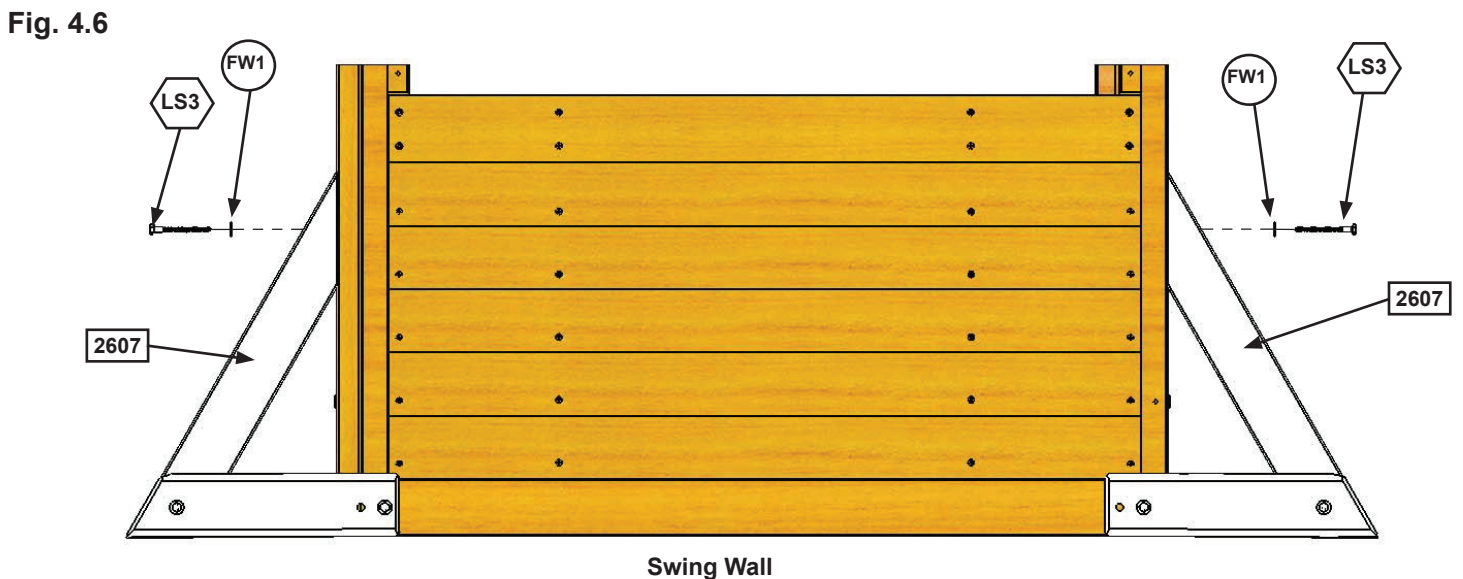
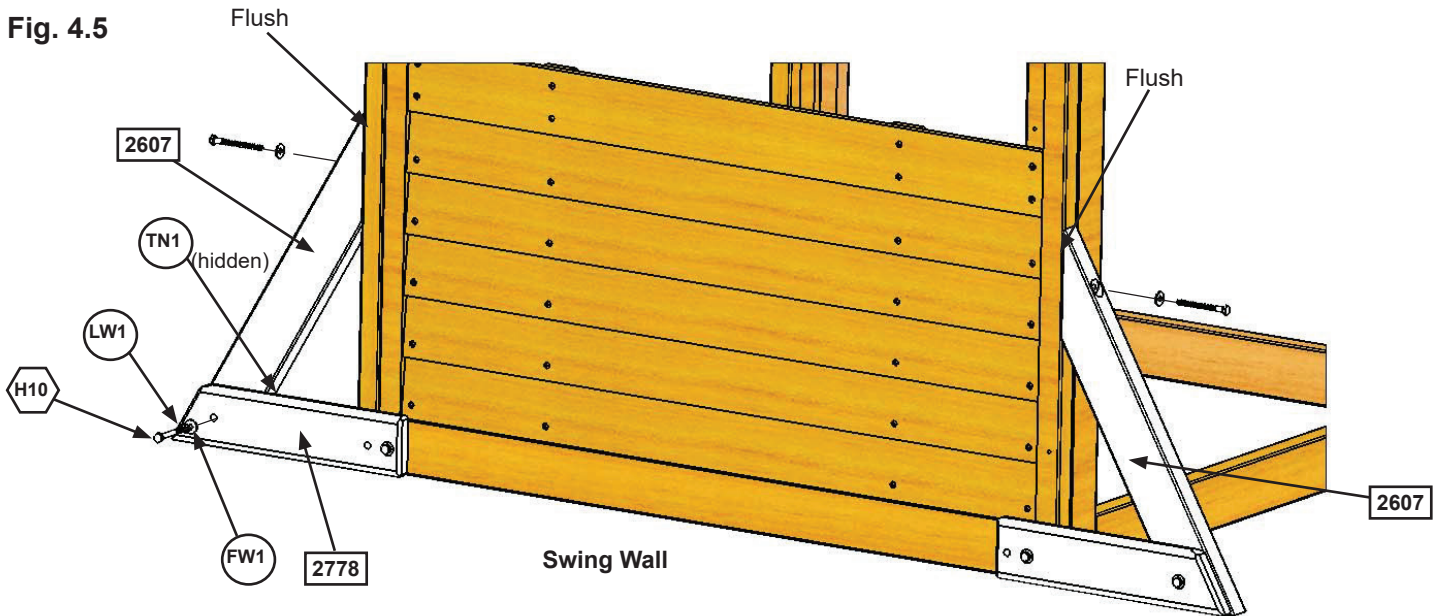
8 x  1/4 x 2-1/2" Wafer Lag

# Step 4: Frame Assembly Part 3



**C:** Loosely attach 1 (2607) Diagonal to left (2778) SW Ground MOD with 1 (H10) 1/4 x 2-1/4" Hex Bolt (with lock washer, flat washer and t-nut). (fig. 4.5)

**D:** Place each (2607) Diagonal tight and flush to the front of the Swing Wall then pre-drill pilot holes with a 3/16" drill bit and attach each (2607) Diagonal to the Swing Wall with 1 (LS3) 1/4 x 3" Lag Screw (with flat washer) per board, checking that they remain flush to outside edge. (fig. 4.5 and 4.6)



### Wood Parts

1 x [2607] Diagonal 1/1/4 x 3 x 22"

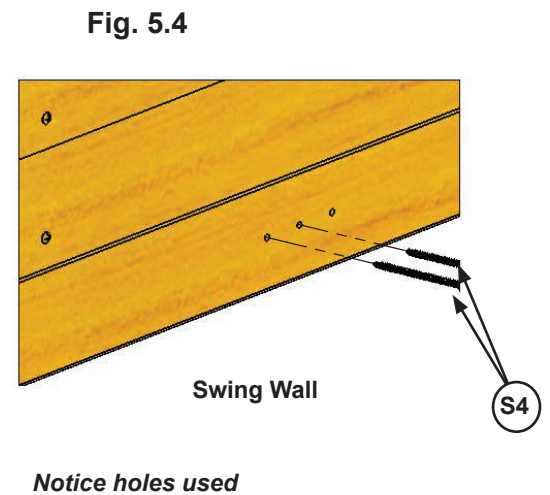
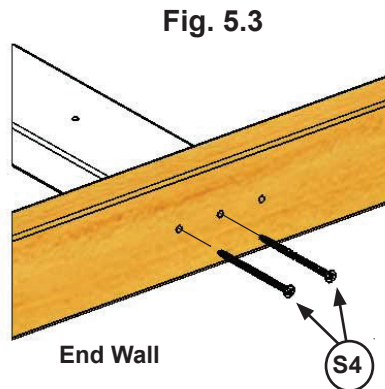
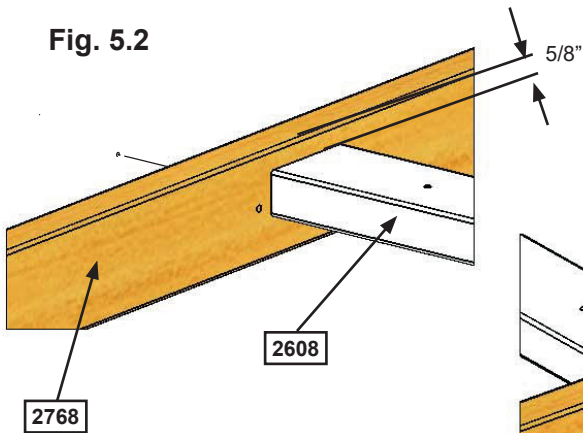
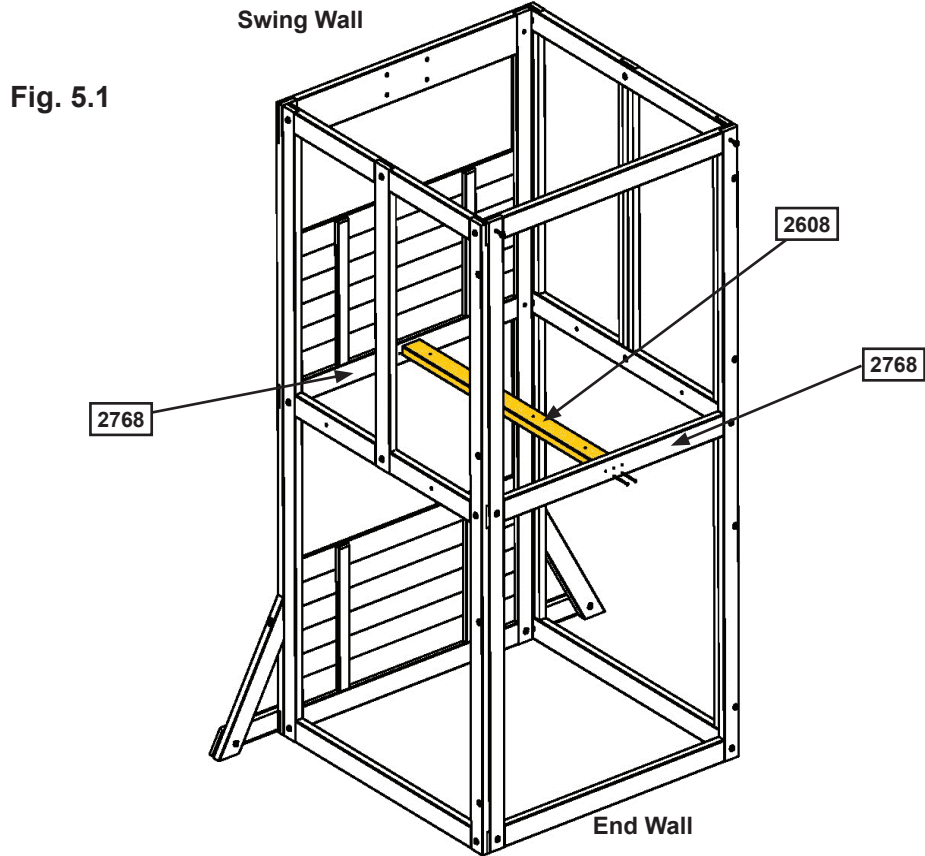
### Hardware

1 x [H10] 1/4 x 2-1/4" Hex Bolt (1/4" lock washer, 1/4" flat washer, 1/4" t-nut)  
 2 x [LS3] 1/4 x 3" Lag Screw (1/4" flat washer)

# Step 5: Floor Assembly Part 1



**A:** From inside of the assembly centre (2608) Floor Joist over the pilot holes in both (2768) Panel Floors in the Swing and End Wall, measure 5/8" down from the top of boards then attach (2608) Floor Joist to each board using the left and centre holes with 2 (S4) #8 x 3" Wood Screws per board. (fig.5.1, 5.2, 5.3 and 5.4)



### Wood Parts

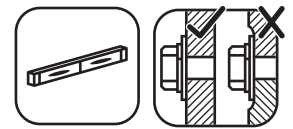
1 x **2608** Floor Joist 1-1/4 x 3 x 40-3/4"

### Hardware

4 x **S4** #8 x 3" Wood Screw



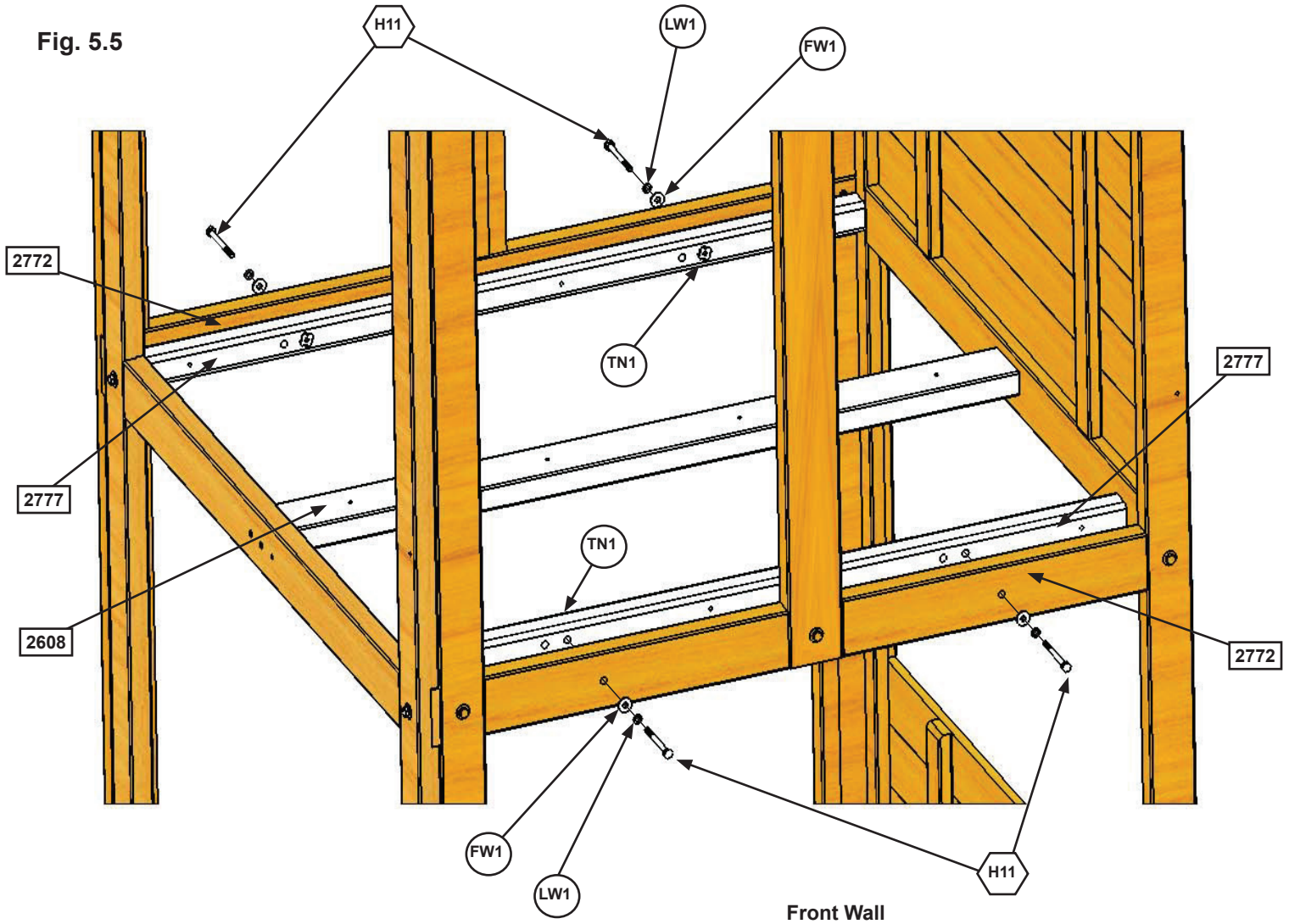
# Step 5: Floor Assembly Part 2



**B:** On the inside of both the Front and Back Walls place 1 (2777) Side Joist MOD against each (2772) Panel Floor Support, line up bolt holes then loosely attach with 2 (H11) 1/4 x 2-3/4" Hex Bolts (with lock washer, flat washer and t-nut) per joist. Make sure both (2777) Side Joist MODs are level with (2608) Floor Joist. (fig. 5.5)

Back Wall

Fig. 5.5



### Wood Parts

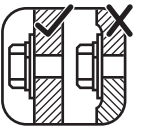
2 x 2777 Side Joist MOD 2 x 2 x 40-1/4"

### Hardware

4 x H11 1/4 x 2-3/4" Hex Bolt  
(1/4" lock washer, 1/4" flat washer, 1/4" t-nut)



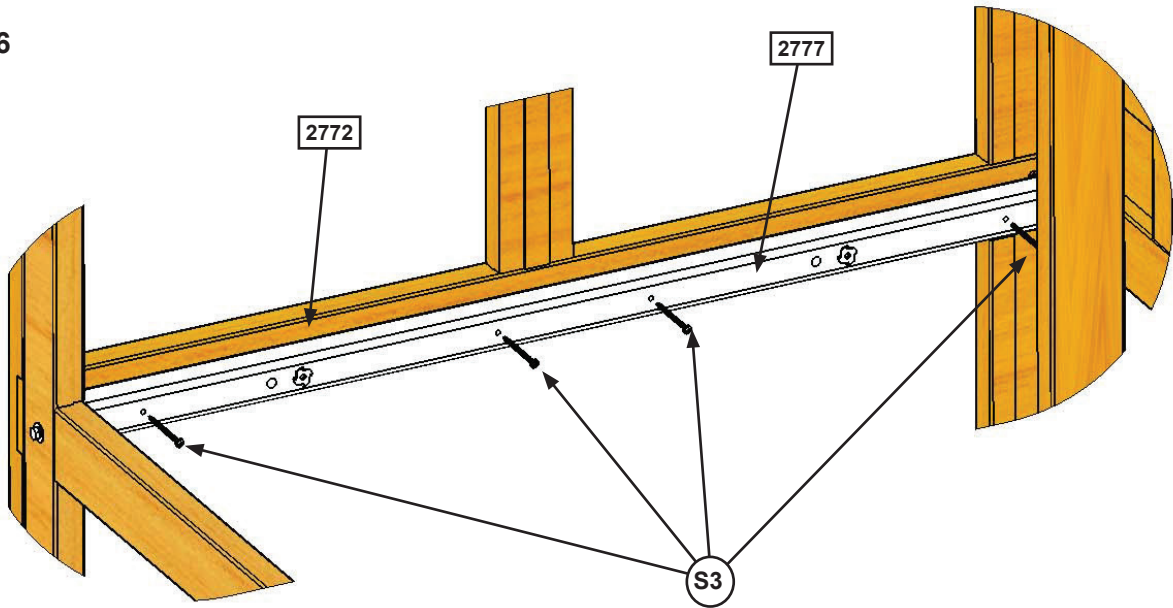
# Step 5: Floor Assembly Part 3




**C:** Fasten each (2777) Side Joist MOD to each (2772) Panel Floor Support with 4 (S3) #8 x 2-1/2" Wood Screws per board as shown in fig. 5.6.

**D:** Tighten all (H11) 1/4 x 2-3/4" Hex Bolts in both (2777) Side Joist MOD.

Fig. 5.6



### Hardware

8 x  #8 x 2-1/2" Wood Screw

# Step 5: Floor Assembly Part 4

F: Starting at the Swing Wall place (2648) Floor Board followed by 8 (2609) Floor Boards. Make sure all boards are evenly spaced then attach to (2608) Floor Joist and each (2777) Side Joist MOD with 5 (S20) #8 x 1-3/8" Wood Screws per board. (fig. 5.7 and 5.8)

Fig. 5.7

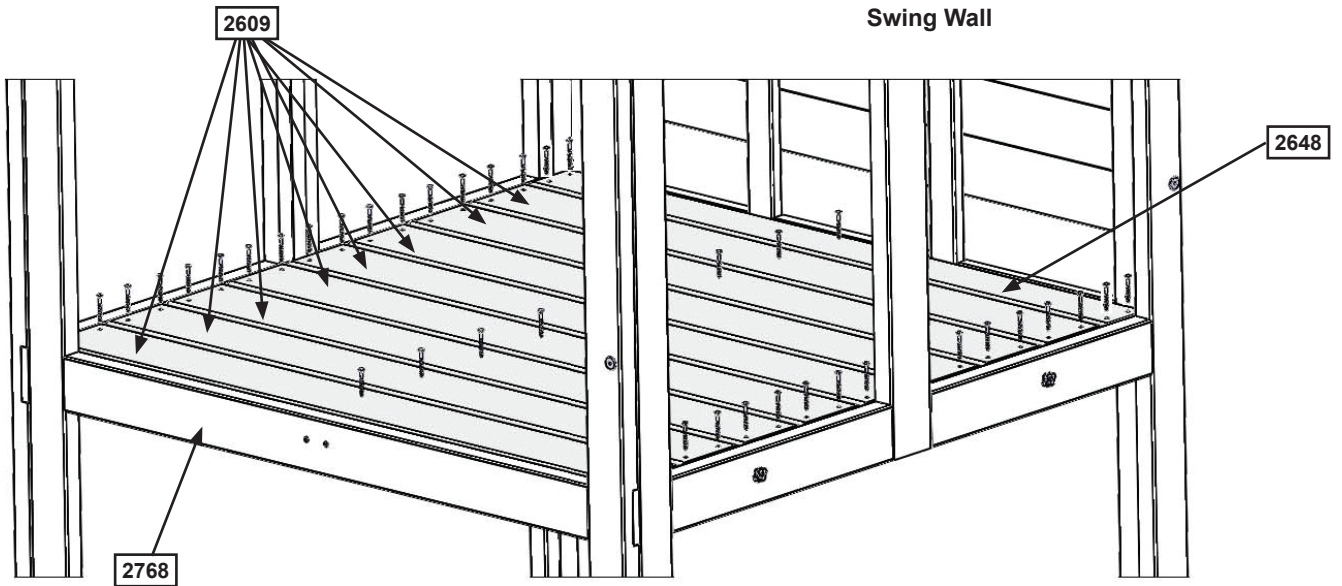
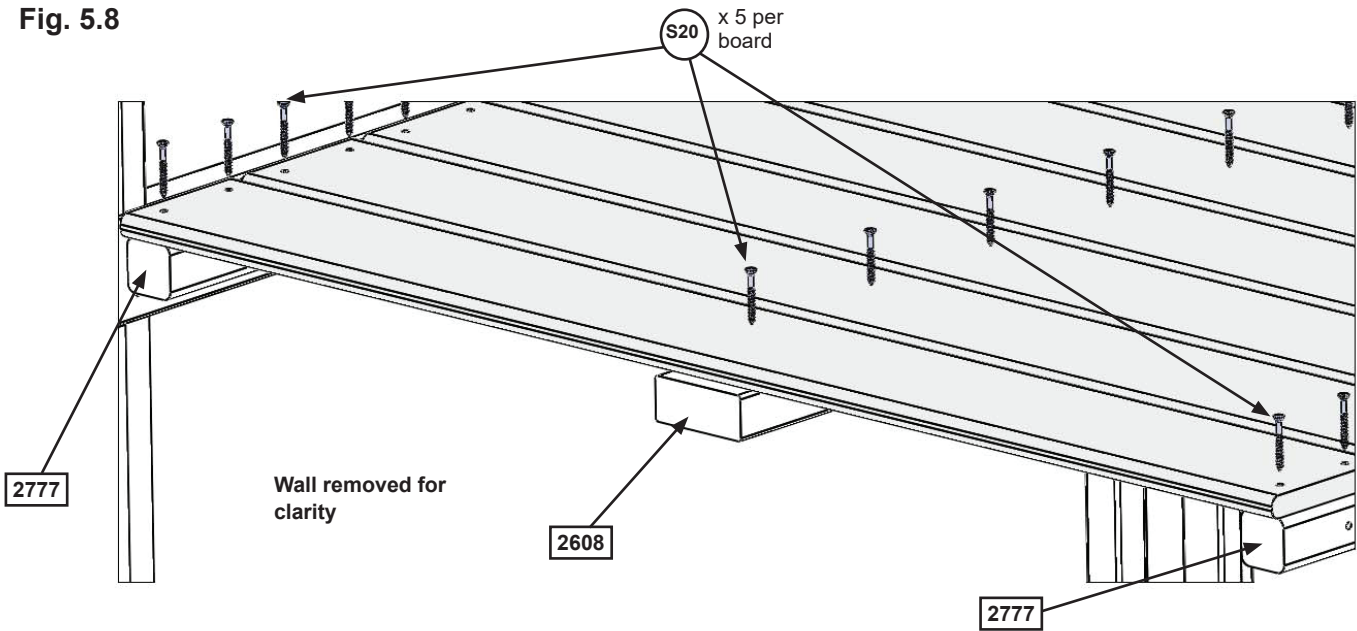


Fig. 5.8



### Wood Parts

- 1 x 2648 Floor Board 1 x 4 x 40-5/8"
- 8 x 2609 Floor Board 1 x 5 x 40-5/8"

### Hardware

- 45 x S20 #8 x 1-3/8" Wood Screw

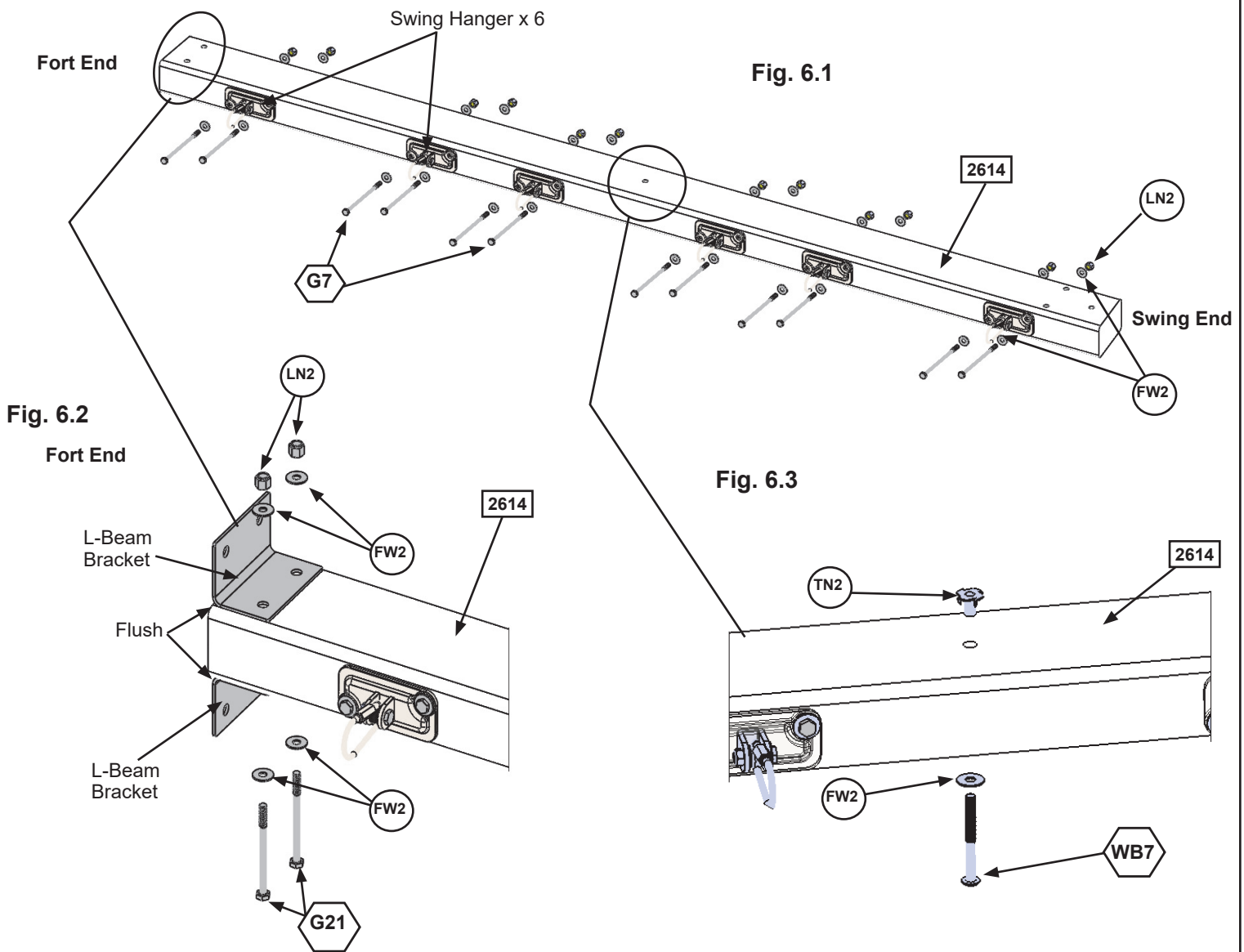


# Step 6: Swing Beam Assembly

**A:** Attach 6 Swing Hangers to the (2614) Engineered Beam using 2 (G7) 5/16 x 5-1/2" Hex Bolts (with 2 flat washers and 1 lock nut) per Swing Hanger as shown in fig. 6.1.

**B:** Flush to the Fort End of (2614) Engineered Beam attach 2 L-Beam Brackets with 2 (G21) 5/16 x 3-3/4" Hex Bolts (with 2 flat washers and 1 lock nut). (fig. 6.1 and 6.2)

**C:** Install 1 (WB7) 5/16 x 3" Wafer Bolt (with flat washer and t-nut) in the middle bolt hole in (2614) Engineered Beam as shown in fig. 6.3. **IT IS IMPORTANT THAT THIS BOLT IS ATTACHED. IT WILL MINIMIZE CHECKING OF WOOD.**



### Wood Parts

1 x **2614** Engineered Beam 4 x 6 x 88"

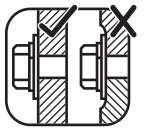
### Hardware

- 12 x **G7** 5/16 x 5-1/2" Hex Bolt (5/16" flat washer x 2, 5/16" lock nut)
- 2 x **G21** 5/16 x 3-3/4" Hex Bolt (5/16" flat washer x 2, 5/16" lock nut)
- 1 x **WB7** 5/16 x 3" Wafer Bolt (5/16" flat washer & 5/16" t-nut)

### Other Parts

- 6 x Swing Hangers
- 2 x L-Beam Bracket

# Step 7: Swing End Assembly

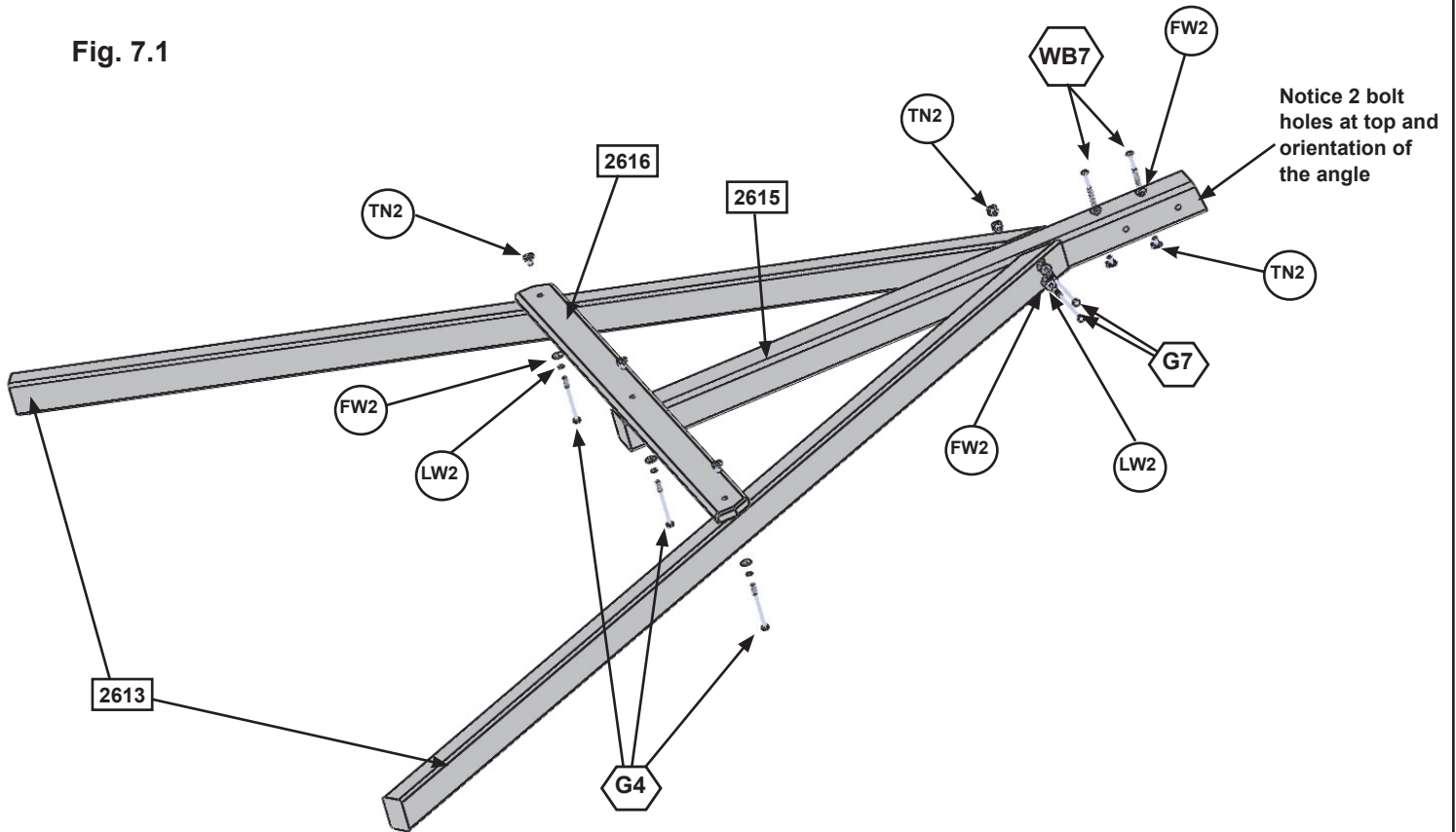


**A:** Loosely attach 2 (2613) Heavy SW Posts to (2615) SW Upright using 2 (G7) 5/16 x 5-1/2" Hex Bolts (with lock washer, flat washer and t-nut). Notice 2 bolt holes at top of (2615) SW Upright and orientation of angle. (fig. 7.1)

**B:** Attach (2616) SW Support to both (2613) Heavy SW Posts and (2615) SW Upright using 3 (G4) 5/16 x 4" Hex Bolts (with lock washer, flat washer and t-nut). Tighten all bolts (fig. 7.1)

**C:** Install 2 (WB7) 5/16 x 3" Wafer Bolts (with flat washer and t-nut) in the top bolt holes in (2615) SW Upright as shown in fig. 7.1. **IT IS IMPORTANT THAT THESE BOLTS ARE ATTACHED. THEY WILL MINIMIZE CHECKING OF WOOD.**

Fig. 7.1



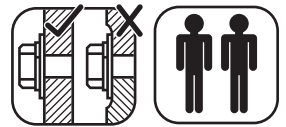
**Wood Parts**

- 2 x 2613 Heavy SW Post 2 x 3 x 86-11/16"
- 1 x 2615 SW Upright 4 x 4 x 50-15/16"
- 1 x 2616 SW Support 5/4 x 4 x 46-1/2"

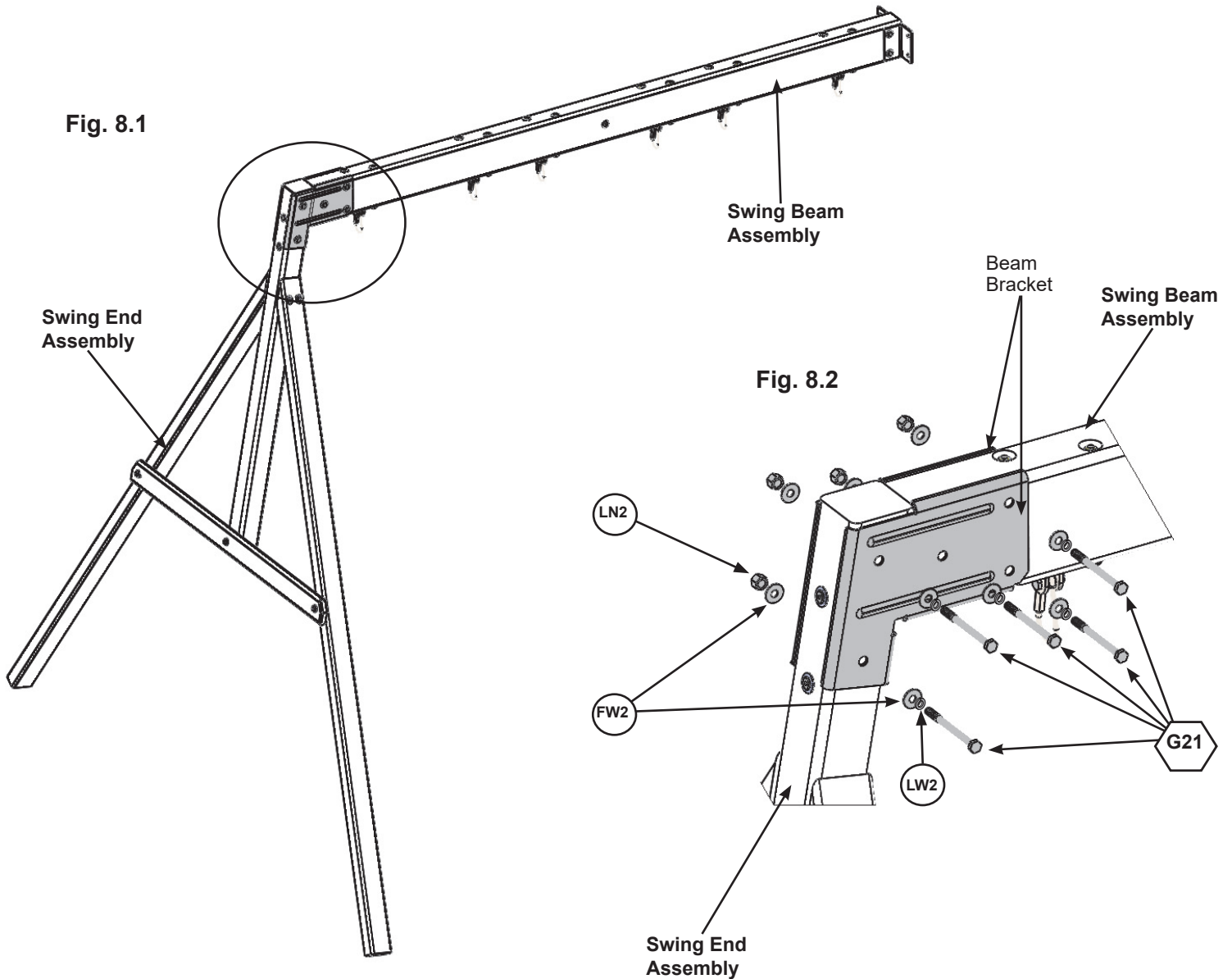
**Hardware**

- 2 x G7 5/16 x 5-1/2" Hex Bolt (5/16" lock washer, 5/16" flat washer, 5/16" t-nut)
- 3 x G4 5/16 x 4" Hex Bolt (5/16" lock washer, 5/16" flat washer, 5/16" t-nut)
- 2 x WB7 5/16 x 3" Wafer Bolt (5/16" flat washer & 5/16" t-nut)


# Step 8: Attach Swing End to Swing Beam



**A:** Place Swing End Assembly against Swing Beam Assembly then place 1 Beam Bracket on each side of the assembly (they are specific for left and right side) and attach with 5 (G21) 5/16 x 3-3/4" Hex Bolts (with 1 lock washer and 2 flat washers and 1 lock nut). (fig. 8.1 and 8.2)



### Hardware

5 x  5/16 x 3-3/4" Hex Bolt  
(5/16" lock washer, 5/16" flat washer x 2,  
5/16" lock nut)

### Other Parts

2 x Beam Bracket (Left/Right)

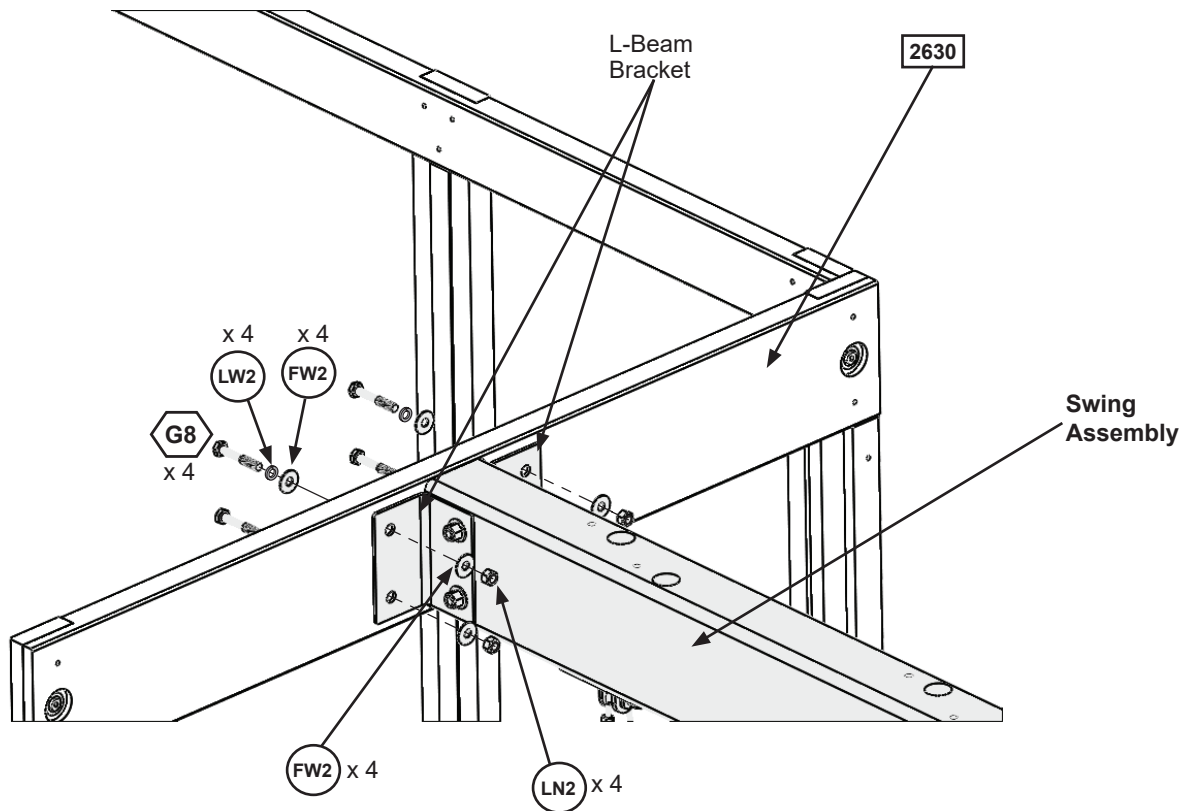


## Step 9: Attach Swing Assembly To Fort



**A:** Place Swing Assembly against top of (2630) SW Top, make sure assembly is level then attach from inside the fort assembly into each L-Beam Bracket with 4 (G8) 5/16 x 2" Hex Bolts (with 1 lock washer and 2 flat washers and 1 lock nut). (fig. 9.1)

Fig. 9.1



### Hardware

4 x  5/16 x 2" Hex Bolt  
(5/16" lock washer, 5/16" flat washer x 2,  
5/16" lock nut)

# Step 10: Install Ground Stakes

## **MOVE FORT TO FINAL LOCATION PRIOR TO STAKING** **FINAL LOCATION MUST BE LEVEL GROUND**

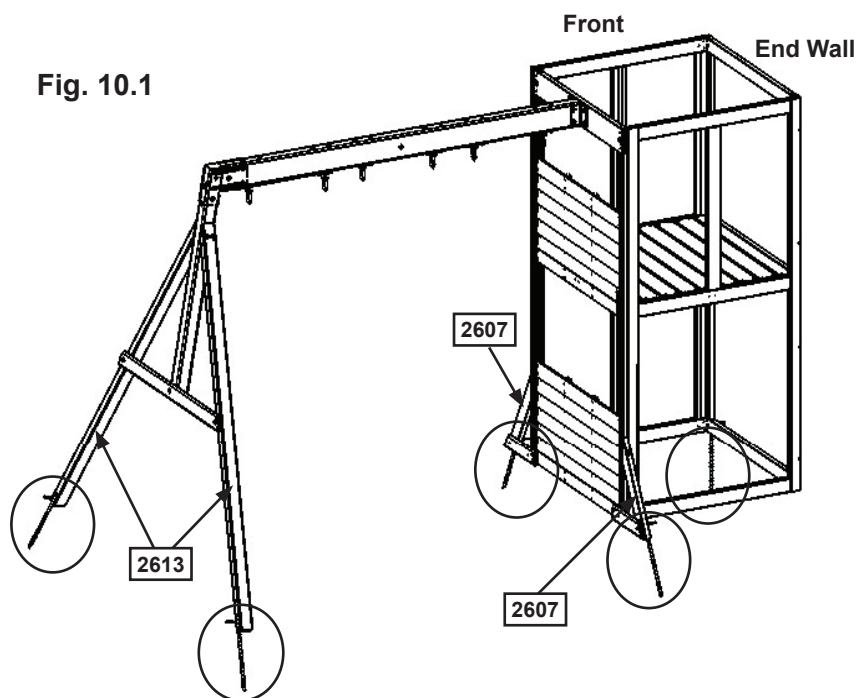
**A:** In the 5 places shown in fig. 10.1 drive the Rebar Ground Stakes 13" into the ground against outside front corner of the End Wall, on both (2607) Diagonals and both (2613) Heavy SW Posts. Be careful not to hit the washer while hammering stakes into the ground as this could cause the washer to break off.

**B:** Attach ground stakes using 1 (S7) #12 x 2" Pan Screw per ground stake. (fig. 10.2 and 10.3)

**C:** After driving stakes into the ground, check for sharp edges caused by the impact of the hammer. Smooth any sharp edges from impact area and touch up with outdoor paint.

**⚠ Warning!** To prevent tipping and avoid potential injury, stakes must be driven 13" (330 mm) into ground. Digging or driving stakes can be dangerous if you do not check first for under-ground wiring, cables or gas lines.

Fig. 10.1



**SEE FRONT COVER  
FOR SAFETY CLEARANCE**

Fig. 10.2

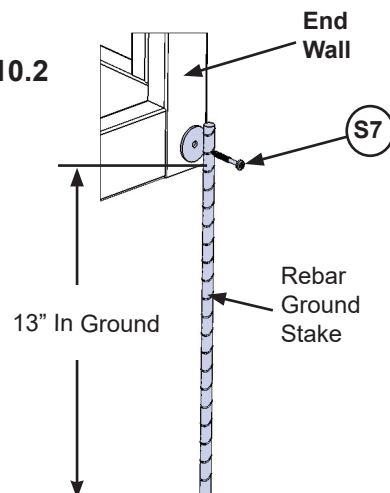
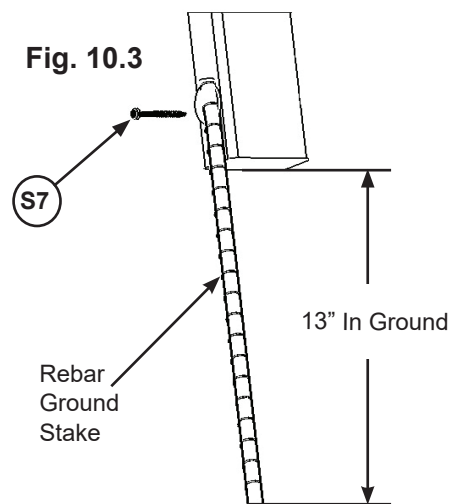


Fig. 10.3



### Hardware

5 x (S7) #12 x 2" Pan Screw

### Other Parts

5 x Rebar Ground Stake

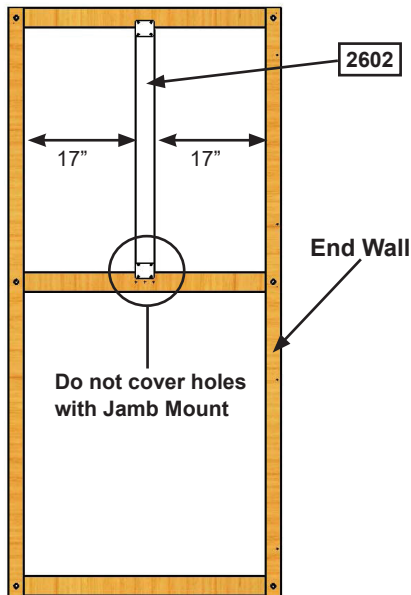
# Step 11: Install Upper and Lower Jambs



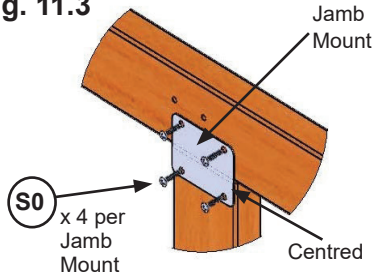
**A:** In the upper opening of the End Wall place 1 (2602) Upper Jamb so it measures 17" to the inside of each post then attach with 2 Jamb Mounts using 4 (S0) #8 x 7/8" Truss Screws per mount. (fig. 11.1, 11.3, 11.4 and 11.5)

**B:** In the lower opening of the Front Wall place 1 (2601) Lower Jamb so it measures 17" to the inside of each post then attach with 2 Jamb Mounts using 4 (S0) #8 x 7/8" Truss Screws per mount. (fig. 11.2, 11.3, 11.4 and 11.5)

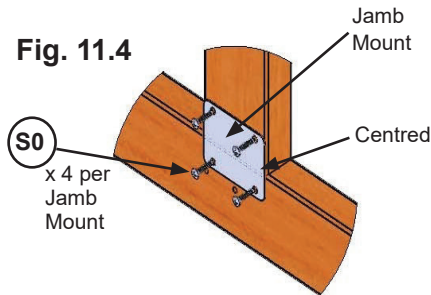
**Fig. 11.1**  
Outside View



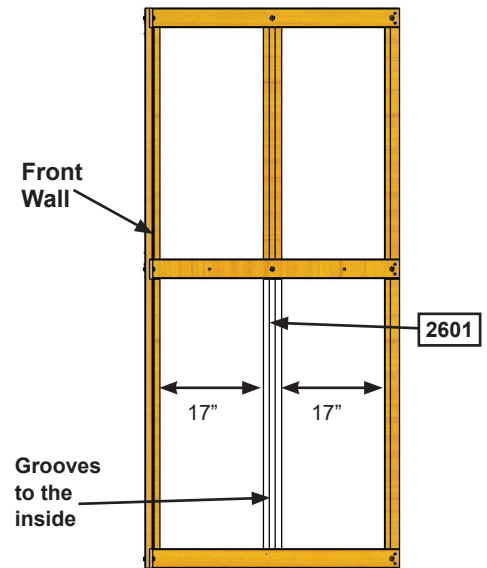
**Fig. 11.3**



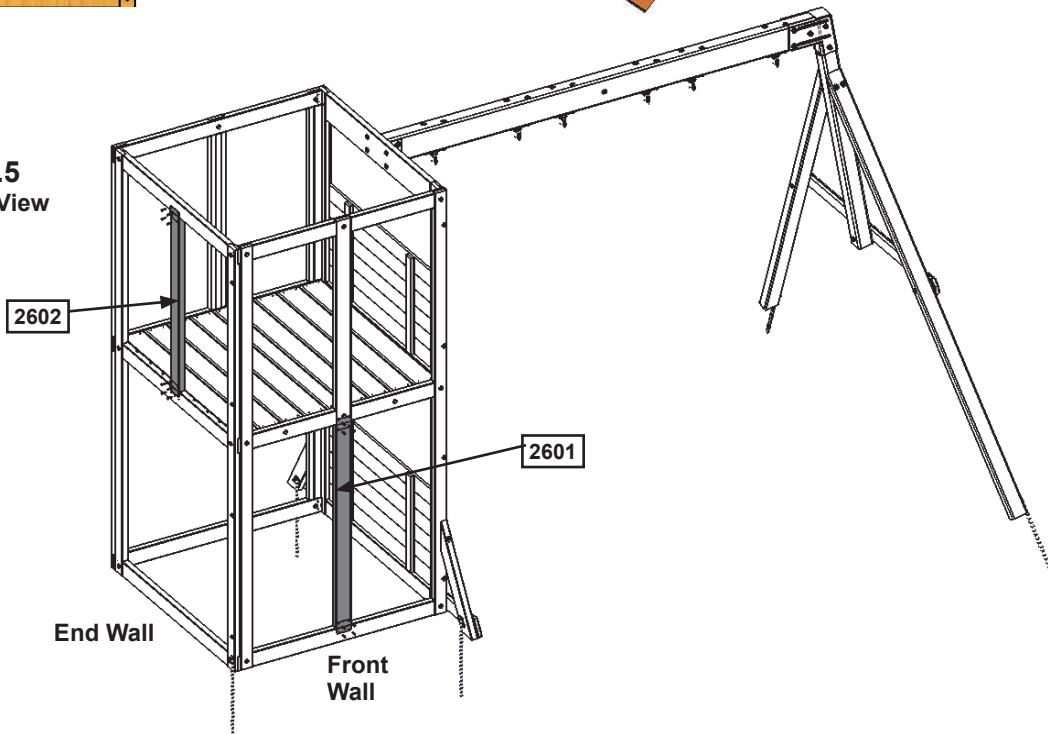
**Fig. 11.4**



**Fig. 11.2**  
Inside View



**Fig. 11.5**  
Outside View



**Wood Parts**

- 1 x 2602 Upper Jamb 1-1/4 x 3 x 35-15/16"
- 1 x 2601 Lower Jamb 1-1/4 x 3 x 41-15/16"

**Hardware**

- 16 x S0 #8 x 7/8" Truss Screw

**Other Parts**

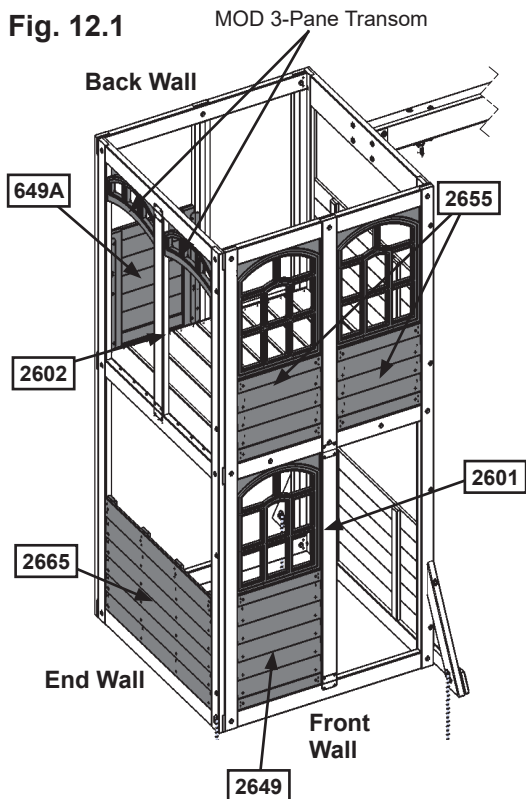
- 4 x Jamb Mount

# Step 12: Install Window and Wall Inserts

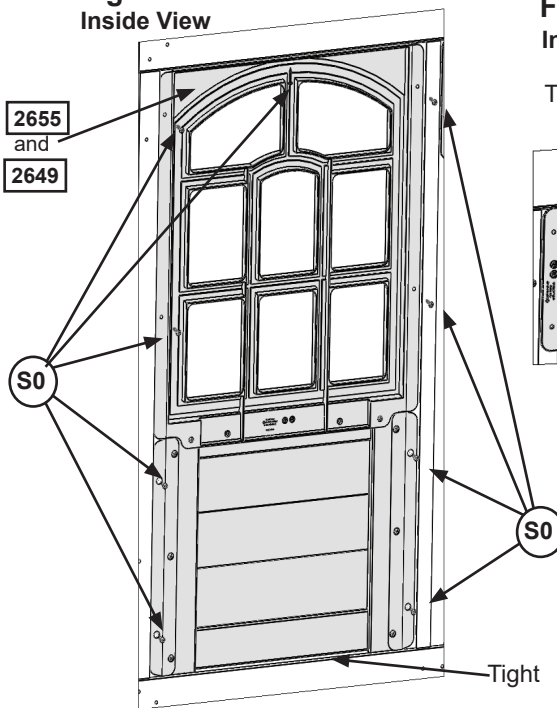
**A:** On the Front Wall, in the places shown in fig. 12.1, install 2 (2655) Upper Window Inserts in the upper opening and 1 (2649) Lower Window Insert in the lower opening using 9 (S0) #8 x 7/8" Truss Screws per insert. (fig. 12.1, 12.2 and 12.3)

**B:** On the End Wall, in the places shown in fig. 12.1, install 2 MOD 3-Pane Transoms in the upper opening and 1 (2665) Half Wall Insert in the lower opening using 4 (S0) #8 x 7/8" Truss Screws per insert. (fig. 12.1, 12.2, 12.4 and 12.5)

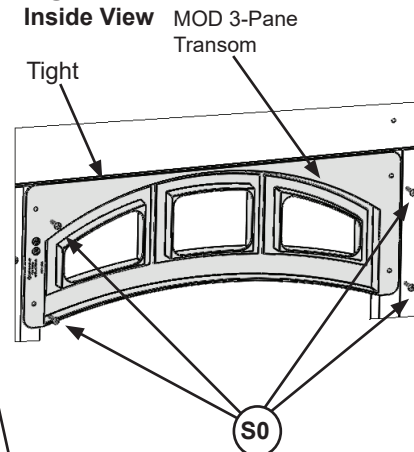
**C:** On the Back Wall in the upper opening install 1 (649A) Short Half Wall using 4 (S0) #8 x 7/8" Truss Screws. (fig. 12.1, 12.3 and 12.4)



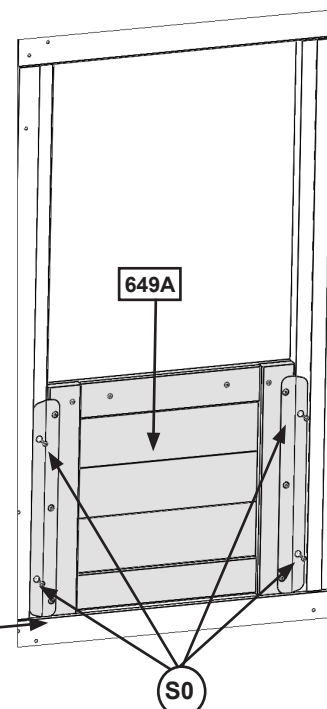
**Fig. 12.2**  
Inside View



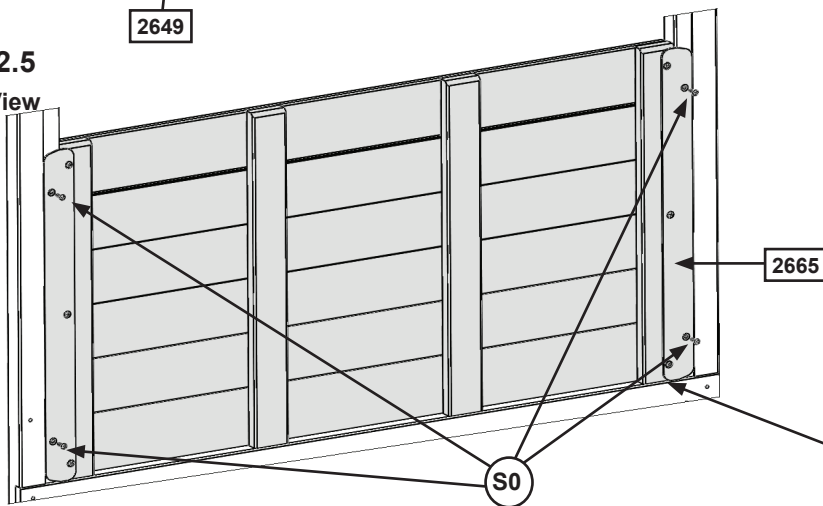
**Fig. 12.3**  
Inside View



**Fig. 12.4**  
Inside View



**Fig. 12.5**  
Inside View



### Wood Parts

- 2 x [2655] Upper Window Insert 1.27 x 18.8 x 35.86"
- 1 x [2649] Lower Window Insert 1.27 x 18.8 x 41.91"
- 1 x [649A] Short Half Wall 1.27 x 18.8 x 20-15/16"
- 1 x [2665] Half Wall Insert 1.4 x 20-1/4 x 38.8"

### Hardware

- 43 x (S0) #8 x 7/8" Truss Screw

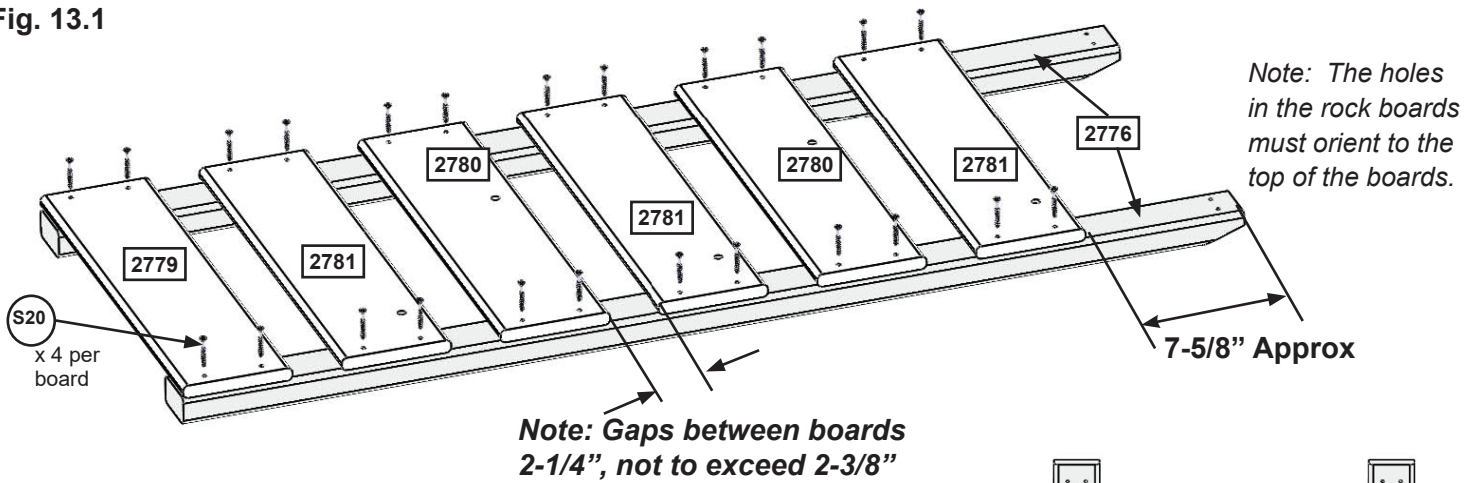
### Other Parts

- 2 x MOD 3-Pane Transom

# Step 13: Rock Wall Assembly



Fig. 13.1



**A:** Lay 2 (2776) Rock Rails down, side by side with angled edges facing down. (fig. 13.1)

**B:** Place (2779) Access Board on the bottom of each (2776) Rock Rail as shown in fig. 13.1. Make sure (2779) Access Board is flush to the outside and bottom edges of each (2776). Attach using 4 (S20) #8 x 1-3/8" Wood Screws.

**C:** 7-5/8" down from the top of both (2776) Rock Rails place 1 (2781) Rk Board B, making sure the sides are flush to the outside edges of each (2776) Rock Rail. Attach using 4 (S20) #8 x 1-3/8" Wood Screws. (fig. 13.1)

**D:** In between the (2779) Access Board and (2781) Rk Board B stagger 2 (2781) Rk Board Bs and 2 (2780) Rk Board As using 4 (S20) #8 x 1-3/8" Wood Screws per board. Placing them as shown in fig. 13.1, this will prevent rocks from forming a straight line. Make sure the boards are evenly spaced and do not exceed 2-3/8" between boards.

Fig. 13.2

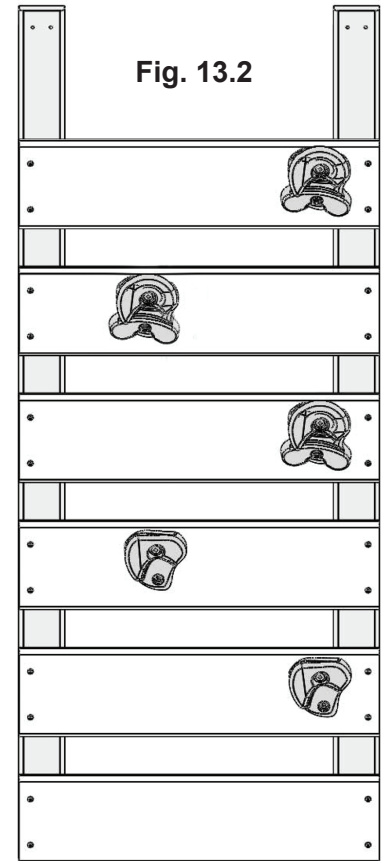
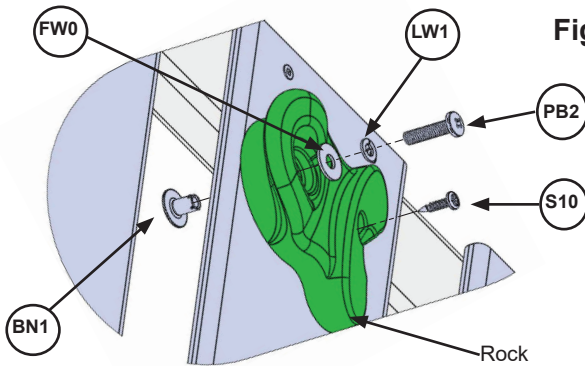


Fig. 13.3



**E:** Place 1 rock on each (2780) Rk Board A and (2781) Rk Board B (fig. 13.2) and attach using 1 (PB2) 1/4 x 1-1/4" Pan Bolt (with lock washer, flat washer and barrel nut) and 1 (S10) #8 x 1" Pan Screw per rock. The Screw must be in the hole directly under the Pan Bolt, it will stop the rock from spinning. (fig. 13.3)

**Wood Parts**

- 1 x 2779 Access Board 1 x 6 x 19"
- 3 x 2781 Rk Board B 1 x 6 x 19"
- 2 x 2780 Rk Board A 1 x 6 x 19"
- 2 x 2776 Rock Rail 1-1/4 x 2-1/2 x 51"

**Hardware**

- 24 x S20 #8 x 1-3/8" Wood Screw
- 5 x S10 #8 x 1" Pan Screw
- 5 x PB2 1/4 x 1-1/4" Pan Bolt (1/4" lock washer, 3/16" flat washer & 1/4" barrel nut)

**Other Parts**

- 5 x Rocks (3 green/2 yellow)



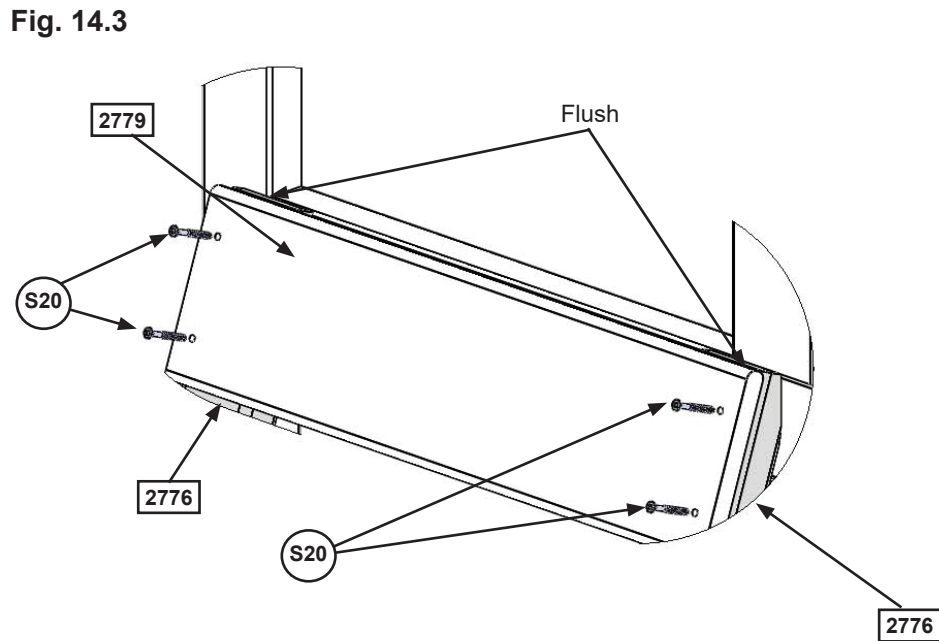
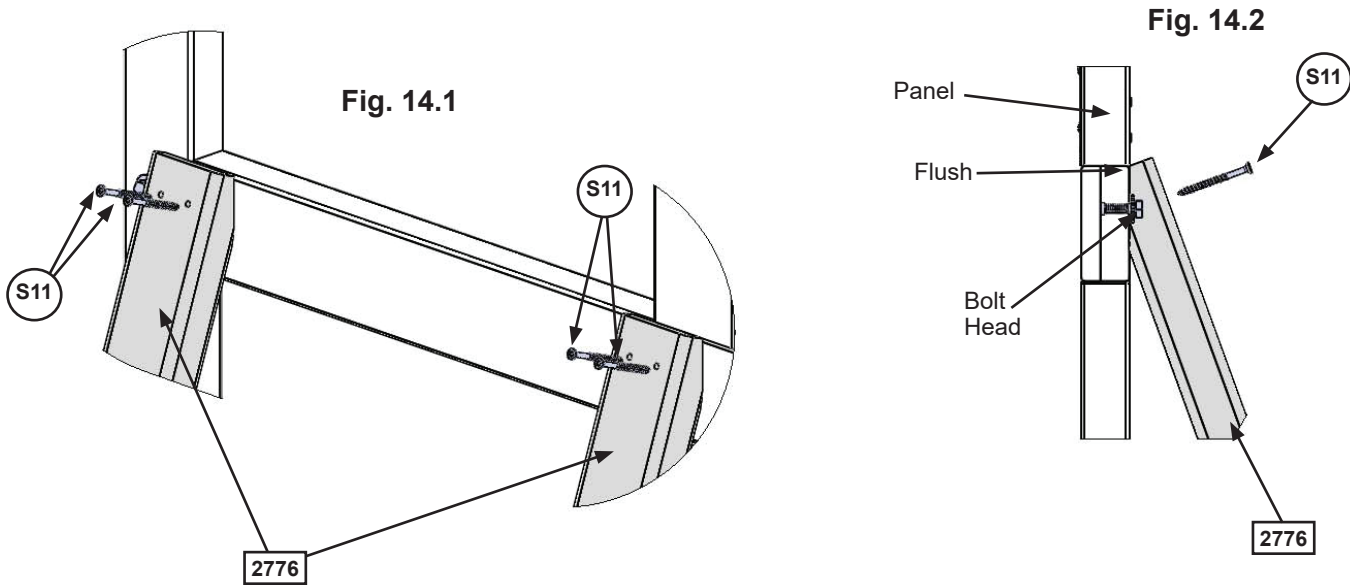
# Step 14: Attach Rock Wall Assembly to Fort

## Part 1

**A:** Place Rock Wall Assembly centred in opening of the Back Wall and flush as shown below. Attach (2776) Rock Rails to the Front Wall using 4 (S11) #8 x 2" Wood Screws. (fig. 14.1 and 14.2)

**B:** Attach 1 (2779) Access Board to top of Rock Wall Assembly, flush to top of (2776) Rock Rails using 4 (S20) #8 x 1-3/8" Wood Screws. (fig. 14.3)

**Note:** Make sure (2776) Rock Rails do not cover the bolt head, move assembly over so it is tight to the bolt head. (fig. 14.1 and 14.2)



### Wood Parts

1 x [2779] Access Board 1 x 6 x 19"

### Hardware

4 x (S20) #8 x 1-3/8" Wood Screw

4 x (S11) #8 x 2" Wood Screw



# Step 14: Attach Rock Wall Assembly to Fort

## Part 2

**C:** Drive 1 Rebar Ground Stake 13" into the ground against outside (2776) Rock Rail then attach with 1 (S7) #12 x 2" Pan Screw. Be careful not to hit the washer while hammering stake into the ground as this could cause the washer to break off. (fig. 14.4 and 14.5)

**D:** After driving stake into the ground, check for sharp edges caused by the impact of the hammer. Smooth any sharp edges from impact area and touch up with outdoor paint.

**⚠Warning!** To prevent tipping and avoid potential injury, stakes must be driven 13" (330 mm) into ground. Digging or driving stakes can be dangerous if you do not check first for under-ground wiring, cables or gas lines.

Fig. 14.4

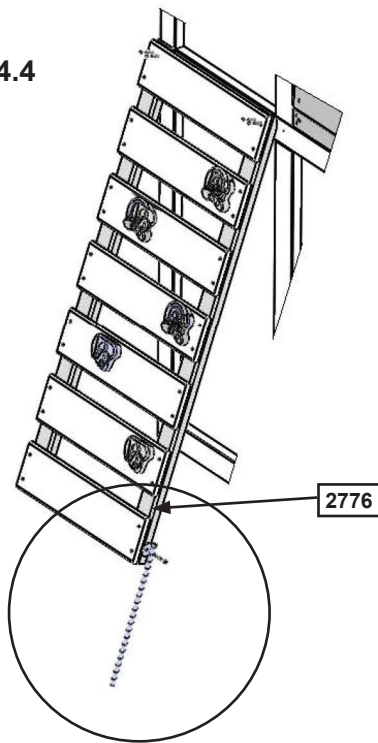
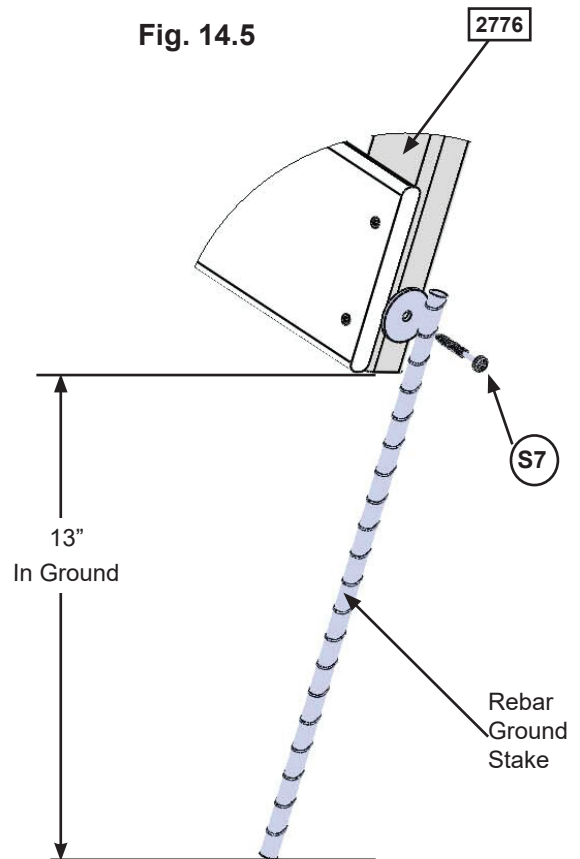


Fig. 14.5



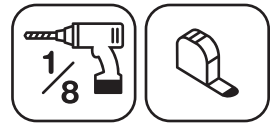
### Hardware

1 x (S7) #12 x 2" Pan Screw

### Other Parts

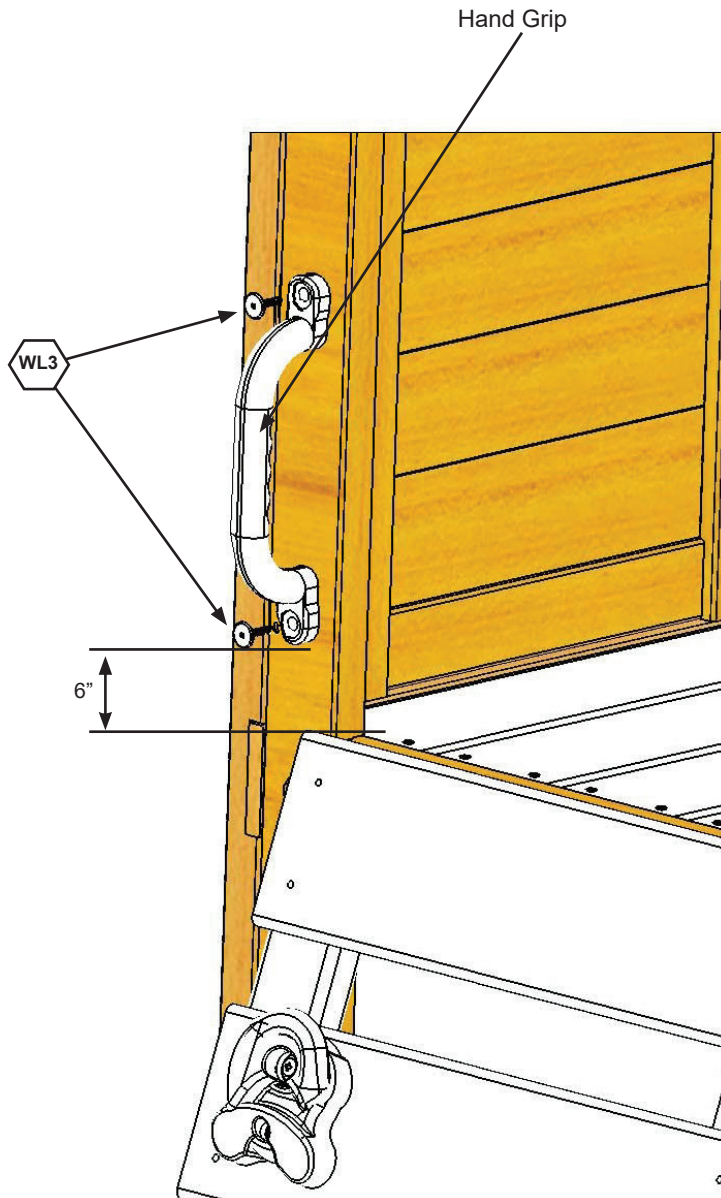
1 x Rebar Ground Stake

## Step 15: Attach Hand Grip to Fort




**A:** Measure 6" from the top of the floor boards on the left hand side of the Rock Board, pre-drill with a 1/8" drill bit then attach 1 Hand Grip with 2 (WL3) 1/4 x 1-3/8" Wafer Lags to the Front Wall. (fig. 15.1)

Fig. 15.1



### Hardware

2 x  1/4 x 1-3/8" Wafer Lag

### Other Parts

1 x Hand Grip

# Step 16: Cafe Table Assembly

**A:** Place (2612) Table Support flush to the notched out ends of (2611) Table Top and attach with 4 (S7) #12 x 2" Pan Screws as shown in fig. 16.1.

**B:** Place Table Top Assembly tight in the opening of End Wall with the overhang on the outside of the assembly as shown in fig. 16.2 then attach (2612) Table Support to the End Wall posts with 2 (S3) #8 x 2-1/2" Wood Screws.

Fig. 16.1

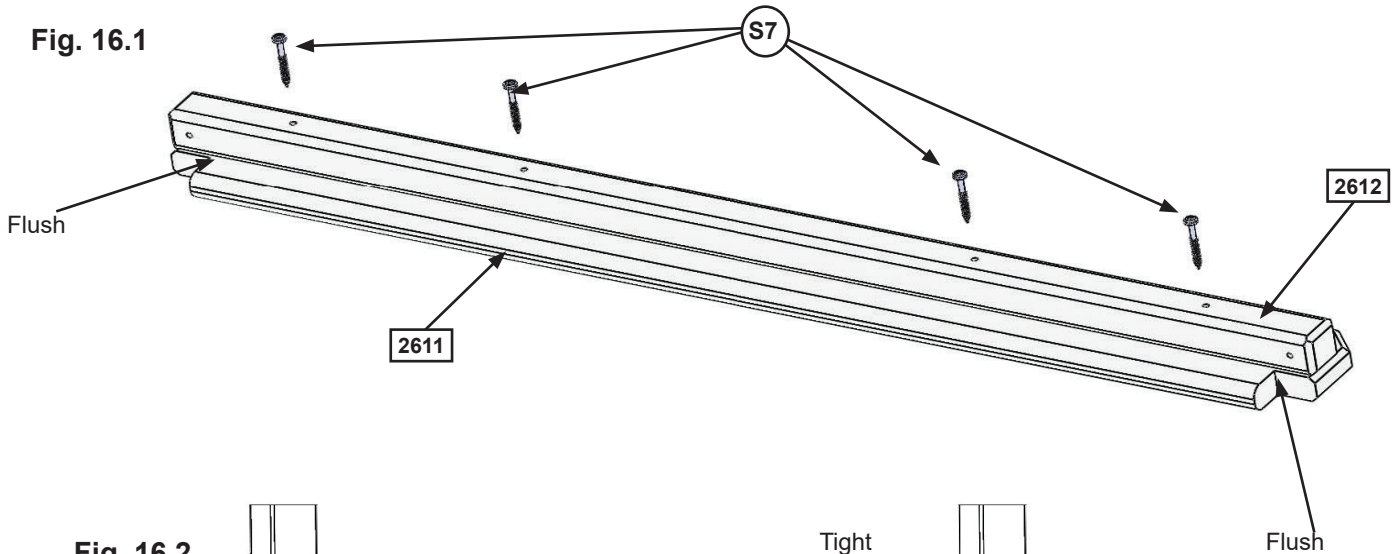
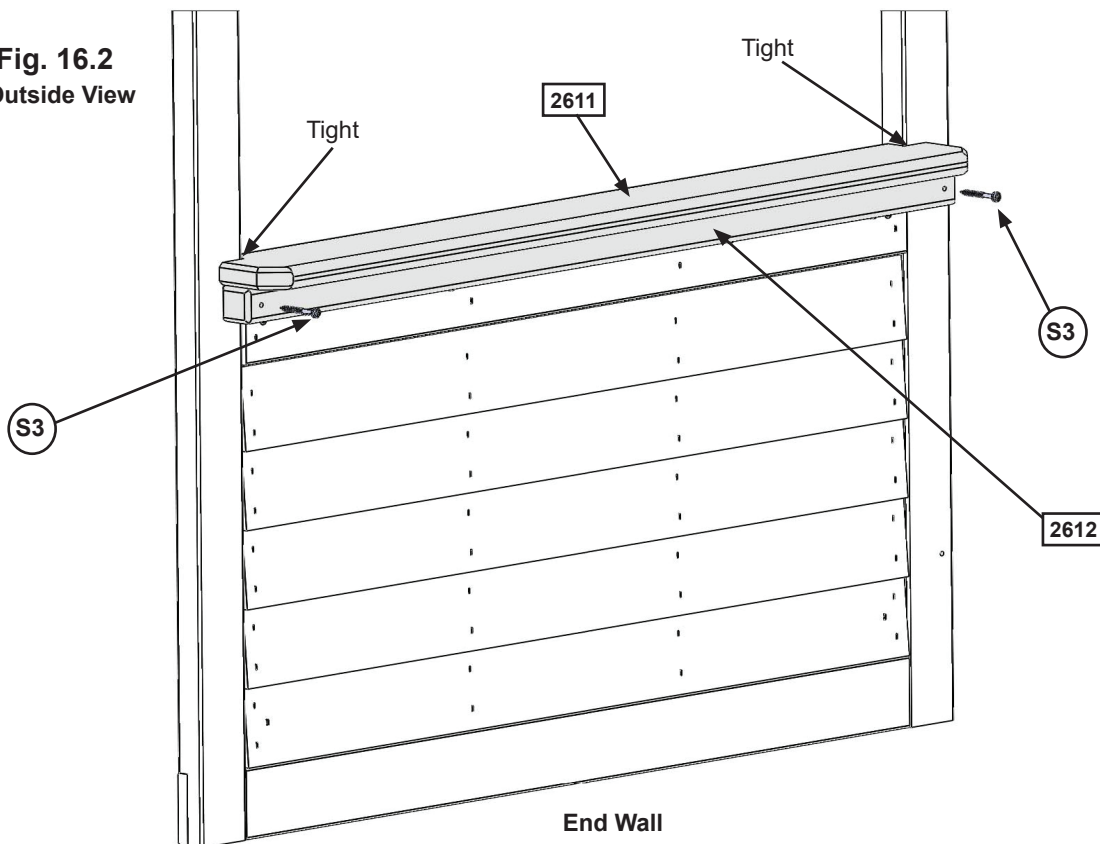


Fig. 16.2  
Outside View



### Wood Parts

- 1 x 2612 Table Support 2 x 2 x 39-5/8"
- 1 x 2611 Table Top 5/4 x 5 x 39-5/8"

### Hardware

- 4 x S7 #12 x 2" Pan Screw
- 2 x S3 #8 x 2-1/2" Wood Screw

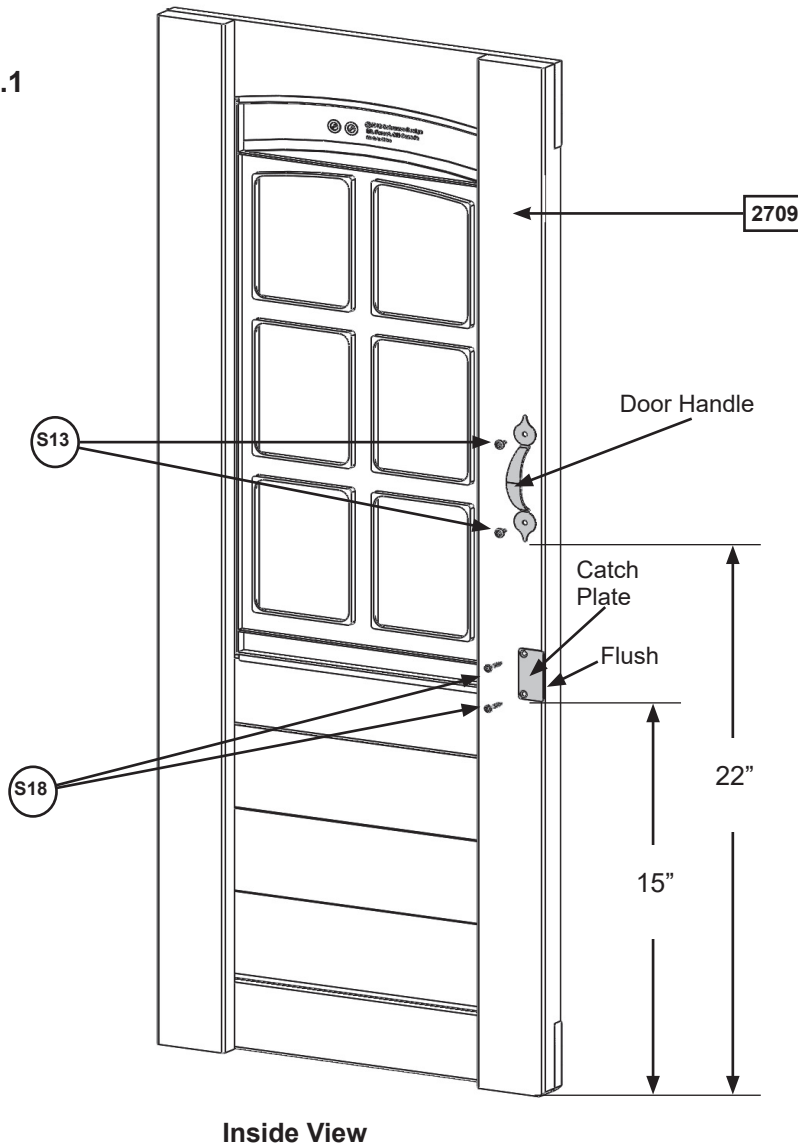
# Step 17: Attach Door Components Part 1



**A:** On the inside of (2709) Door Window Panel measure 15" up from the bottom and attach Catch Plate flush to the edge using 2 (S18) #6 x 1" Wood Screws. (fig. 17.1)

**B:** On the inside of (2709) Door Window Panel measure 22" up from the bottom and attach 1 Door Handle using 2 (S13) #6 x 5/8" Pan Screws. (fig. 17.1)

Fig. 17.1



### Wood Parts

1 x 2709 Door Window Panel 1-1/4 x 15-3/4 x 40-3/4"

### Hardware

2 x S18 #6 x 1" Wood Screw  
2 x S13 #6 x 5/8" Pan Screw

### Other Parts

1 x Door Handle  
1 x Catch Plate

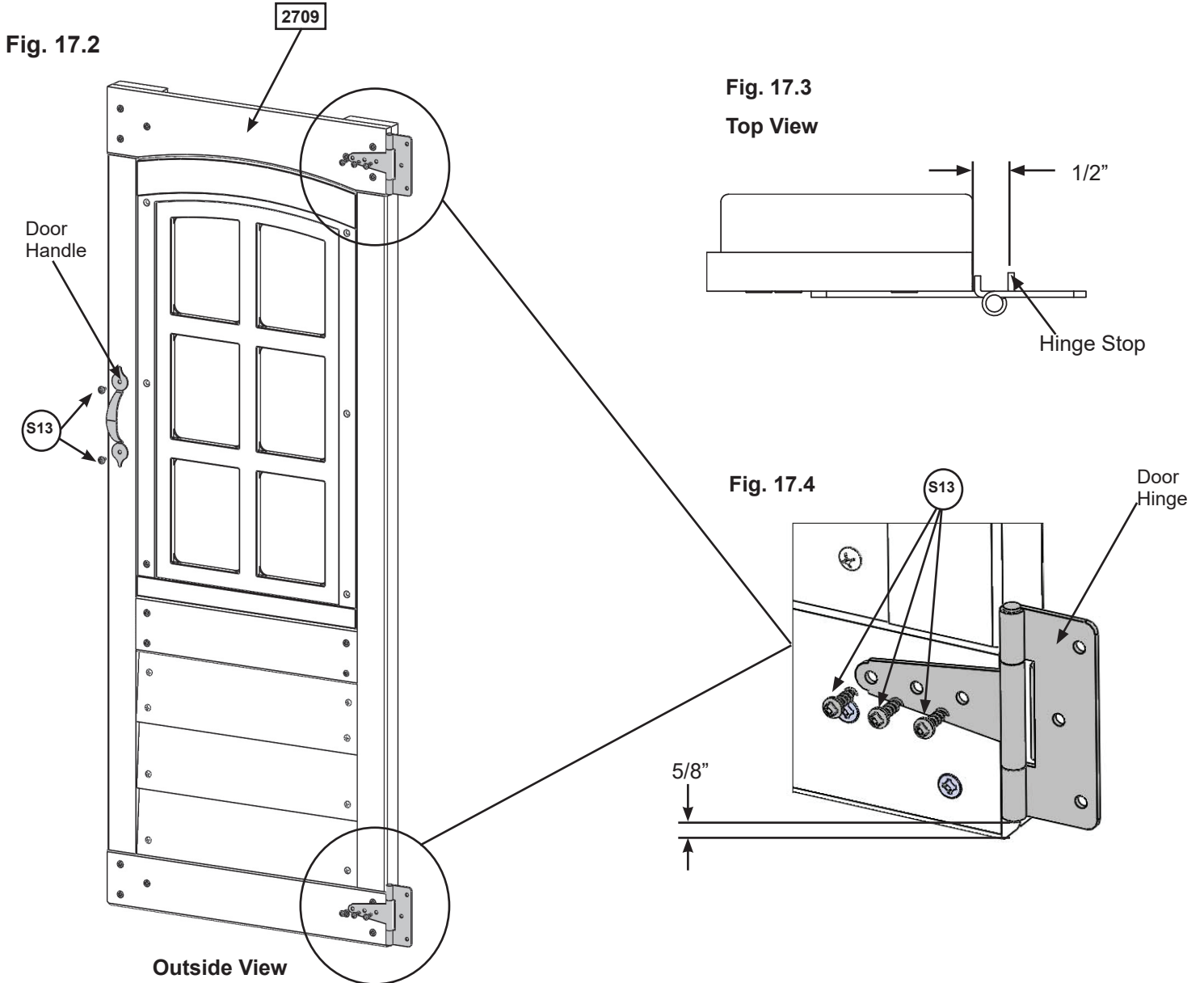
# Step 17: Attach Door Components Part 2



**C:** On the outside of the (2709) Door Window Panel attach the second Door Handle at approximately the same place as the one on the inside. Use 2 (S13) #6 x 5/8" Pan Screws. (fig. 17.2)

**D:** On the opposite side of the Door Handle measure 5/8" from the top and bottom of (2709) Door Window Panel attach 2 Door Hinges on the outside using 3 (S13) #6 x 5/8" Pan Screws per Hinge. (fig. 17.2 and 17.4)

**Note:** Hinge stops must be tight to (2709) Door Window Panel. (fig. 17.3)



### Hardware

8 x S13 #6 x 5/8" Pan Screw

### Other Parts

1 x Door Handle  
2 x Door Hinge

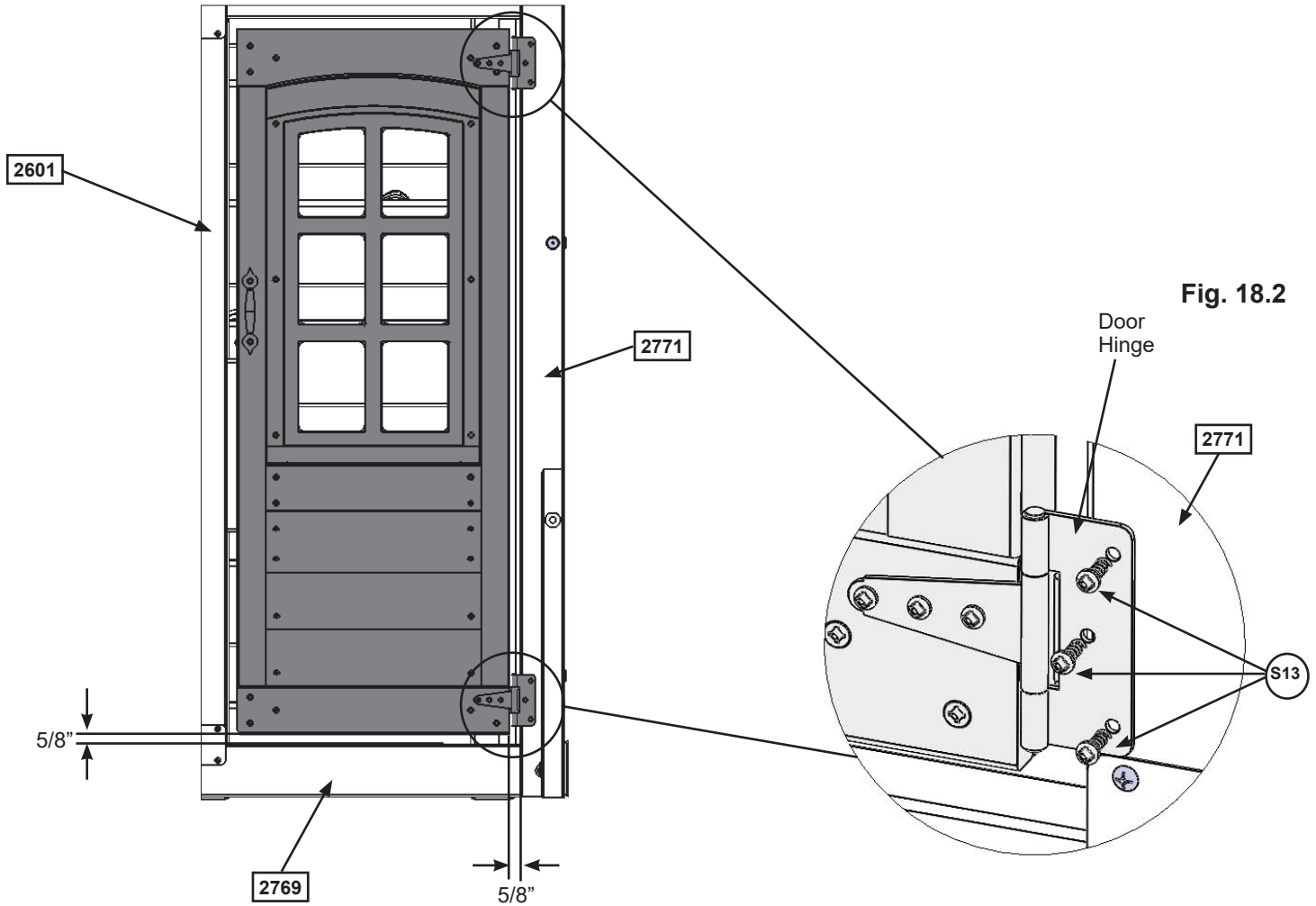


# Step 18: Attach Door Assembly to Fort



**A:** On the Front Wall measure 5/8" up from the top of (2769) Panel BT Frame and a maximum 5/8" from the inside edge of (2771) End Post then attach the remaining side of the hinges to (2771) End Post using 3 (S13) #6 x 5/8" Pan Screws per hinge. (fig. 18.1 and 18.2)

**Fig. 18.1**  
Outside View



### Hardware

6 x  #6 x 5/8" Pan Screw

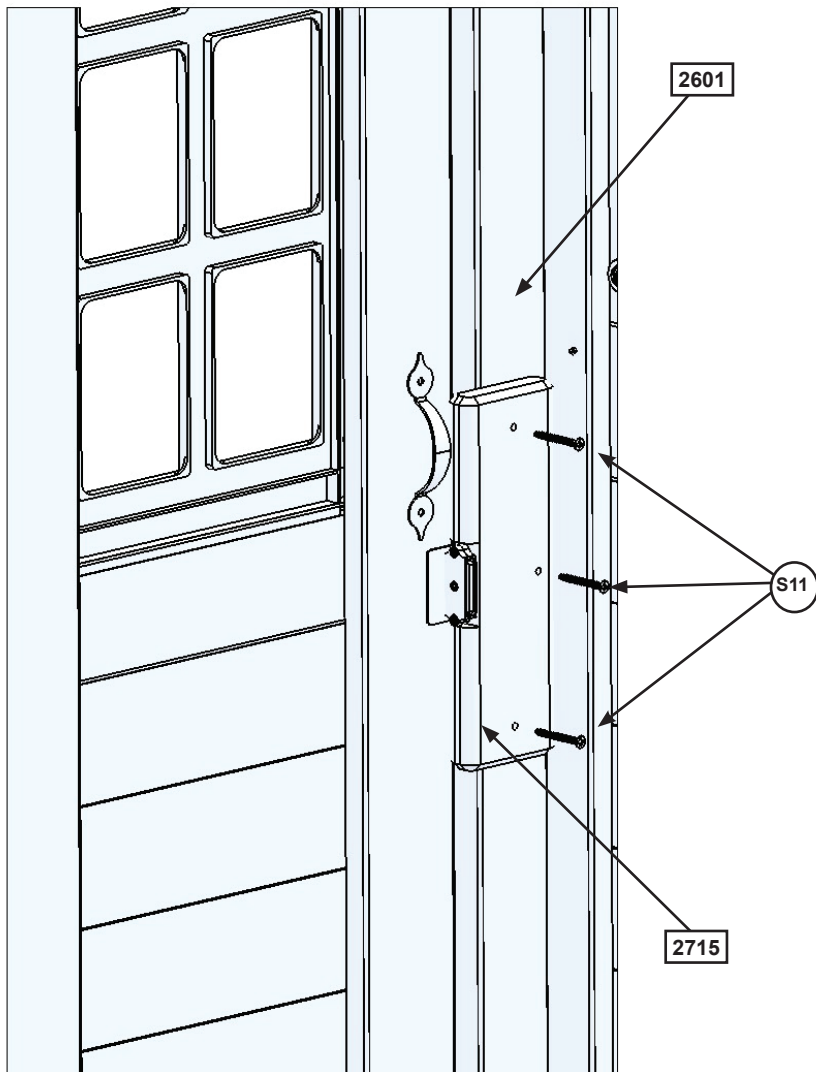
# Step 19: Attach Door Stop



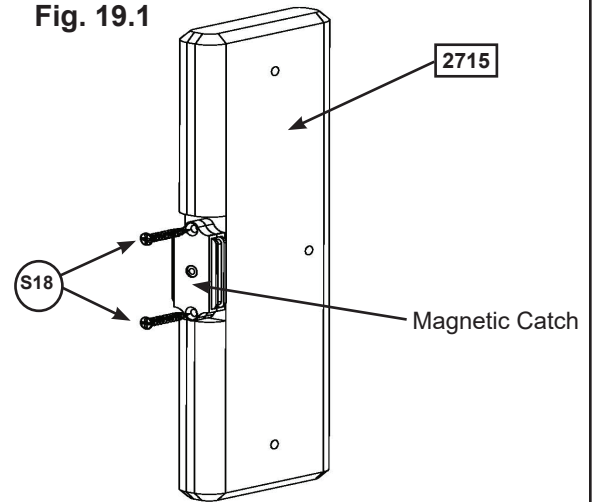
**A:** In the notched out opening of (2715) Door Stop attach the Magnetic Catch using 2 (S18) #6 x 1" Wood Screws. (fig. 19.1) **Important:** Use a hand held screw driver and **DO NOT** over tighten.

**B:** On the inside of the assembly, attach (2715) Door Stop to (2601) Lower Jamb with 3 (S11) #8 x 2" Wood Screws, making sure (2715) Door Stop has an overhang of 1-1/4" and is in position to receive the Catch Plate. (fig. 19.2 and 19.3)

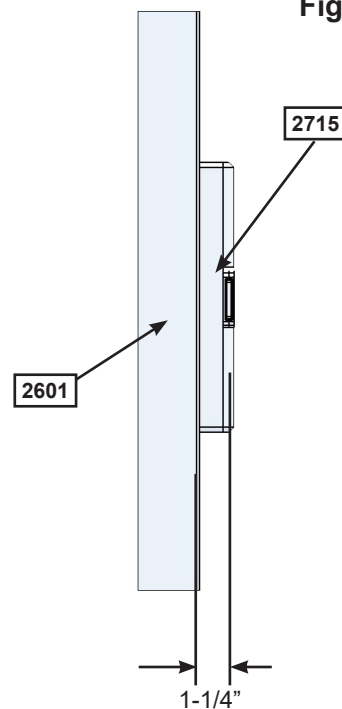
**Fig. 19.2**  
Inside View



**Fig. 19.1**



**Fig. 19.3**



**Wood Parts**

1 x 2715 Door Stop 5/4 x 3 x 10"

**Hardware**

2 x S18 #6 x 1" Wood Screw  
3 x S11 #8 x 2" Wood Screw

**Other Parts**

1 x Magnetic Catch

# Step 20: Attach Slide to Fort



**A:** Place 1 Slide in the centre of each opening of the End Wall, pre-drill with a 1/8" drill bit then attach each slide to fort through the (2772) Panel Floor Support using 3 (S7) #12 x 2" Pan Screws per slide. (fig. 20.1, 20.2 and 20.3)

Fig. 20.1

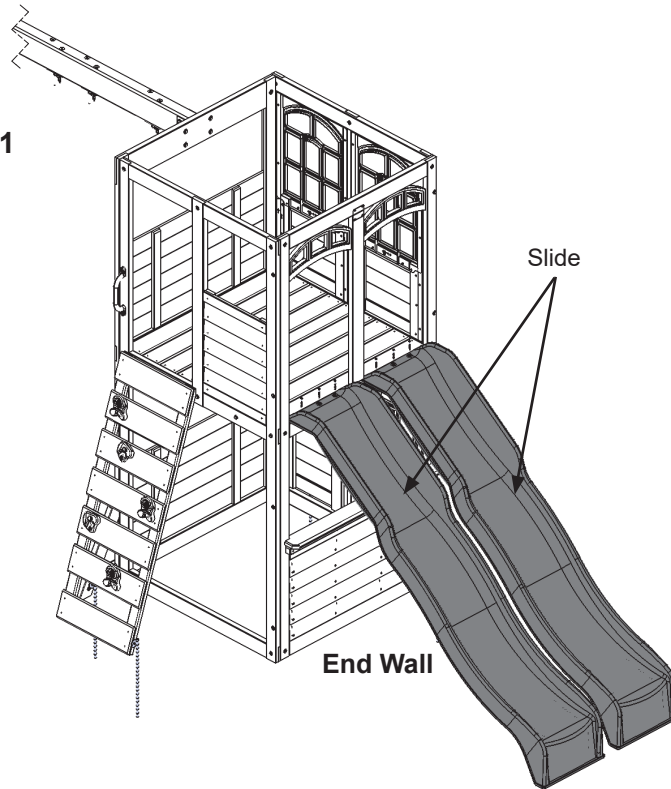


Fig. 20.2

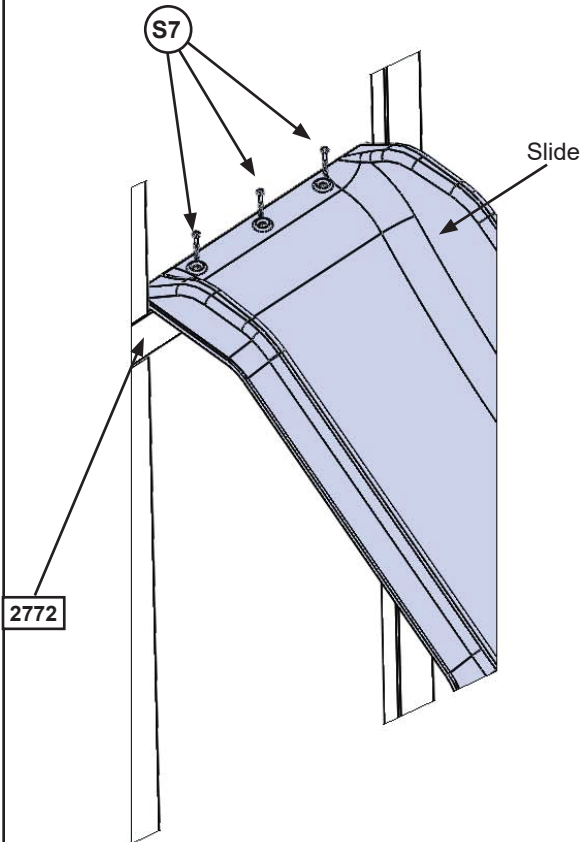
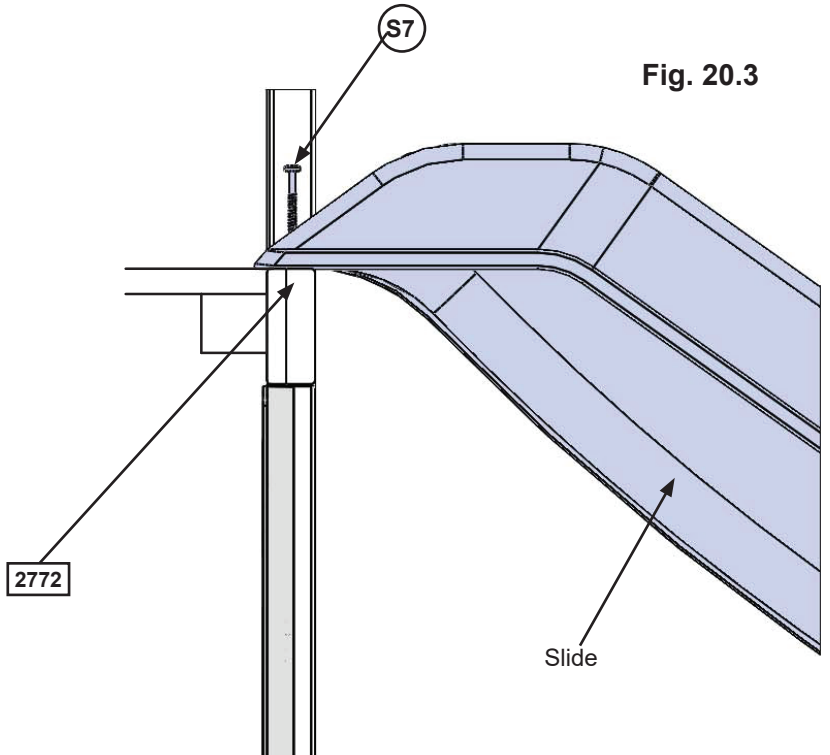



Fig. 20.3



### Hardware

6 x  #12 x 2" Pan Screw

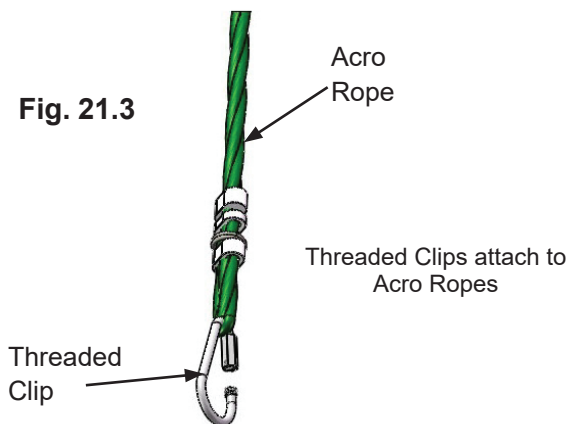
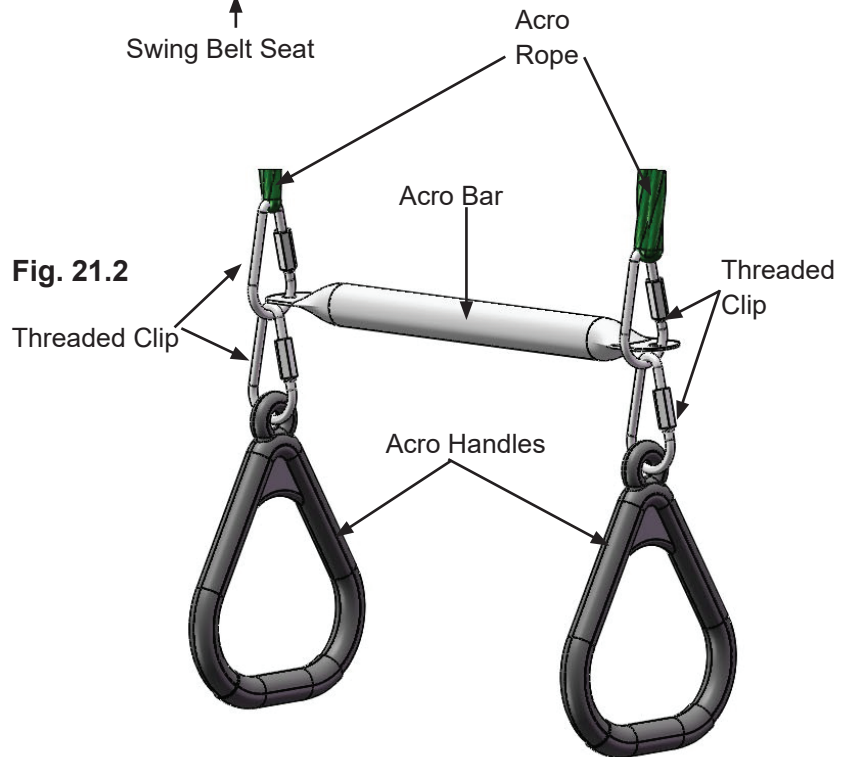
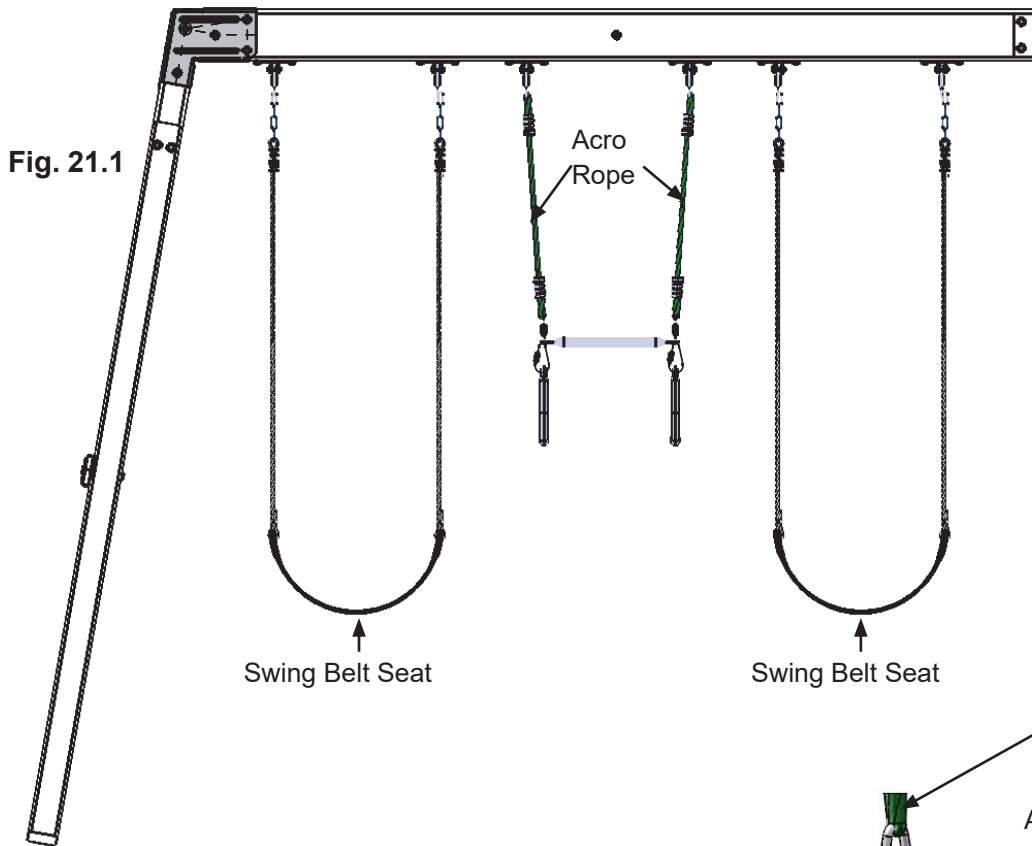
### Other Parts

2 x Slide

# Step 21: Attach Swings

**A:** Attach 1 Threaded Clip to each Acro Rope and the Acro Bar. Attach another Threaded Clip to each Acro Handle and join with first Threaded Clip. Make sure to close the Threaded Clip tightly using an adjustable wrench. (fig. 21.2 and 21.3)

**B:** Attach the end of the swing and acro ropes to the Threaded Clips attached to the swing hangers. (fig. 21.1)



### Other Parts

- 2 x Belt Swings
- 1 x Acro Bar
- 2 x Acro Handle
- 2 x Acro Rope
- 4 x Threaded Clips

# Step 22: Attach Tarp Frame Part 1



**A:** On the Front and Back Walls place 1 (2786) Roof Side on top of each (2775) Panel Cross Support so the extension on the Swing Wall measures 9-1/4" and the extension on the End Wall measures 18-1/8" then attach with 4 (S4) #8 x 3" Wood Screws per board. (fig. 22.1 & 22.2)

**B:** Place 1 (2785) Roof Upright on the inside of each wall, flush to the bottom of (2775) Panel Cross Support then loosely attach to (2786) Roof Side from the outside with 1 (H3) 1/4 x 2-1/2" Hex Bolt (with lock washer, flat washer and t-nut) per board. (fig. 22.1 & 22.2)

**C:** Make sure (2785) Roof Upright is square then attach to (2775) Panel Cross Support from the inside with 2 (S11) #8 x 2" Wood Screws per board. Tighten both bolts. (fig. 22.1 & 22.2)

Fig. 22.1

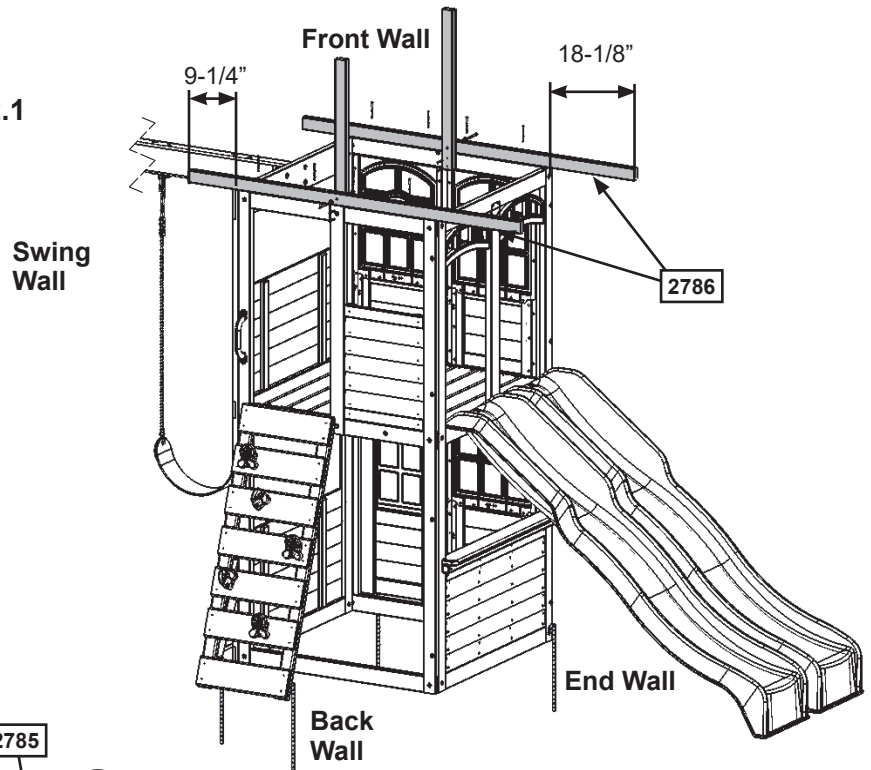
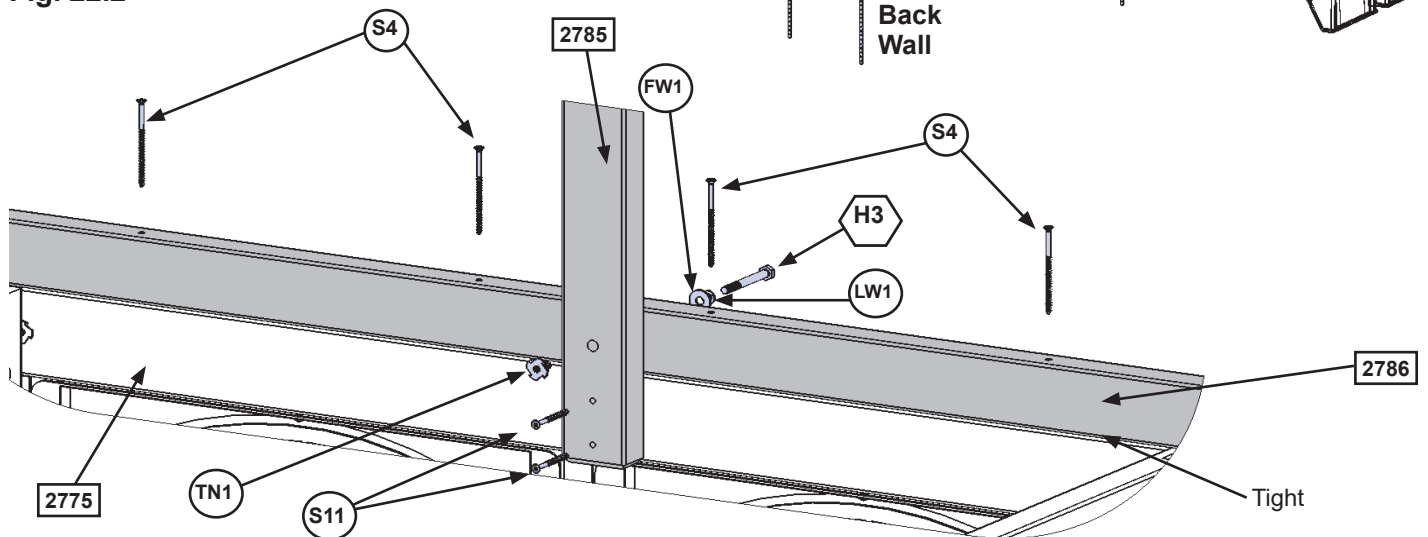


Fig. 22.2



### Wood Parts

- 2 x **2786** Roof Side 1-1/4 x 2-1/4 x 70-3/4"
- 2 x **2785** Roof Upright 1-1/4 x 2-1/4 x 29-1/2"

### Hardware

- 8 x **S4** #8 x 3" Wood Screw
- 2 x **H3** 1/4 x 2-1/2" Hex Bolt  
(1/4" lock washer, 1/4" flat washer, 1/4" t-nut)
- 4 x **S11** #8 x 2" Wood Screw



# Step 22: Attach Tarp Frame Part 2

D: Attach each (2786) Roof Side to each (2775) Panel Cross Support with 2 Flat Panel Brackets per side using 4 (S8) #12 x 3/4" Pan Screws per bracket. (fig. 22.3 and 22.4)

Fig. 22.3

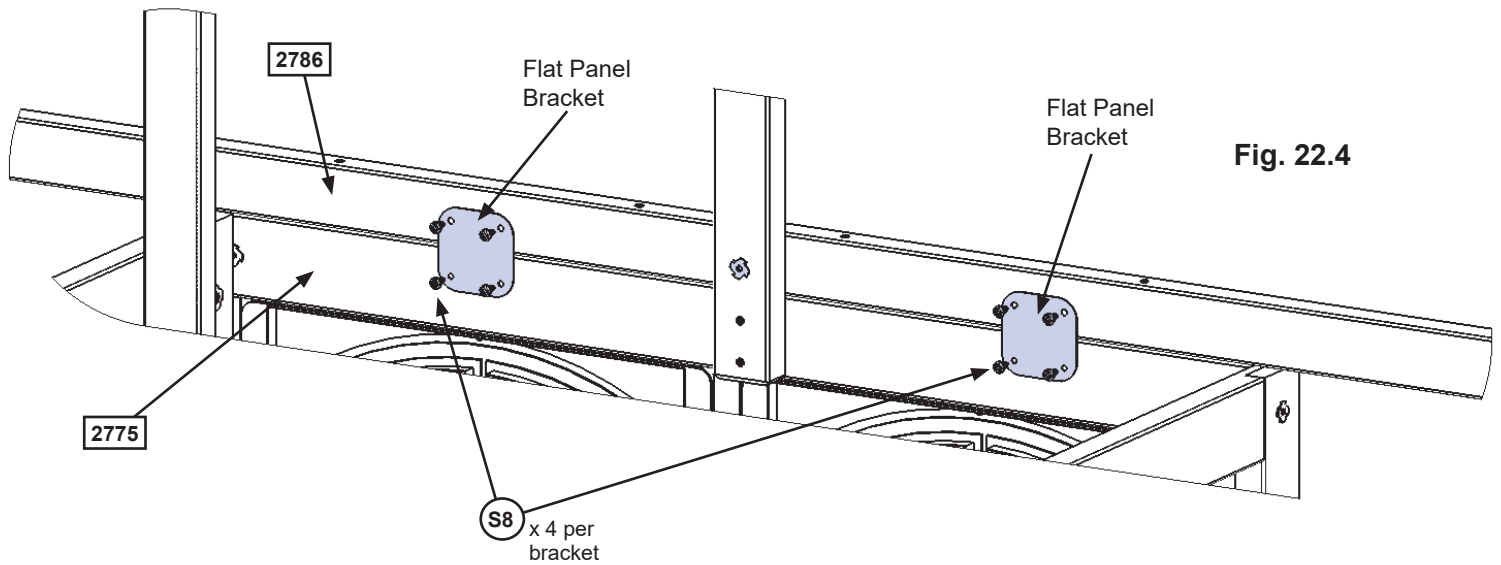
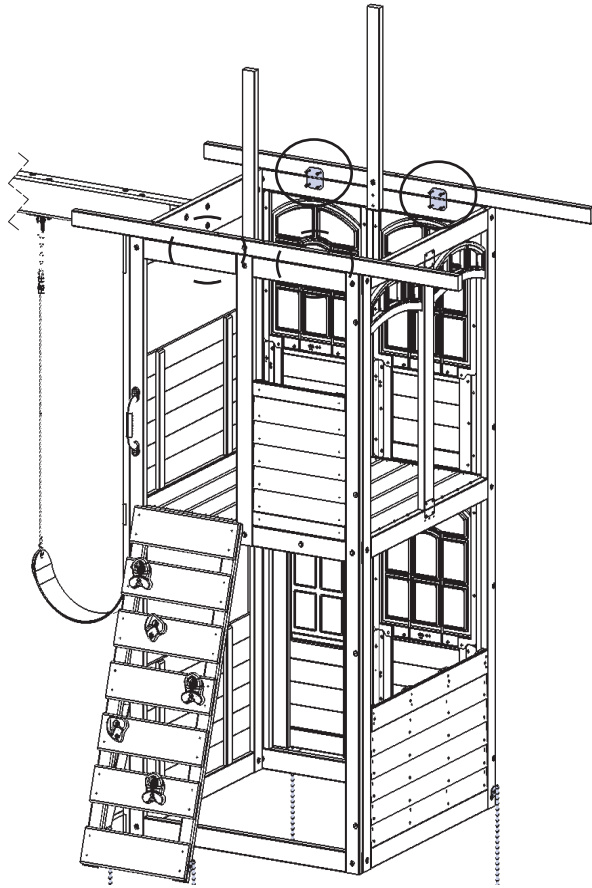


Fig. 22.4

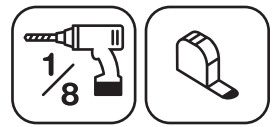
### Hardware

16 x (S8) #12 x 3/4" Pan Screw

### Other Parts

4 x Flat Panel Bracket

# Step 22: Attach Tarp Frame Part 3



**E:** Place (2787) Roof Top on each (2785) Roof Upright so the ends measure 1-1/4" overhang on each side then attach using 2 (S4) #8 x 3" Wood Screws per end. (fig. 22.5 & 22.6)

**F:** Pre-drill pilot holes for the screws using a 1/8" drill bit and then attach 1 (2784) Roof End flush to the tops and ends of each (2786) Roof Side with 4 (S4) #8 x 3" Wood Screws per (2784) Roof End. (22.5 & 22.7)

Fig. 22.5

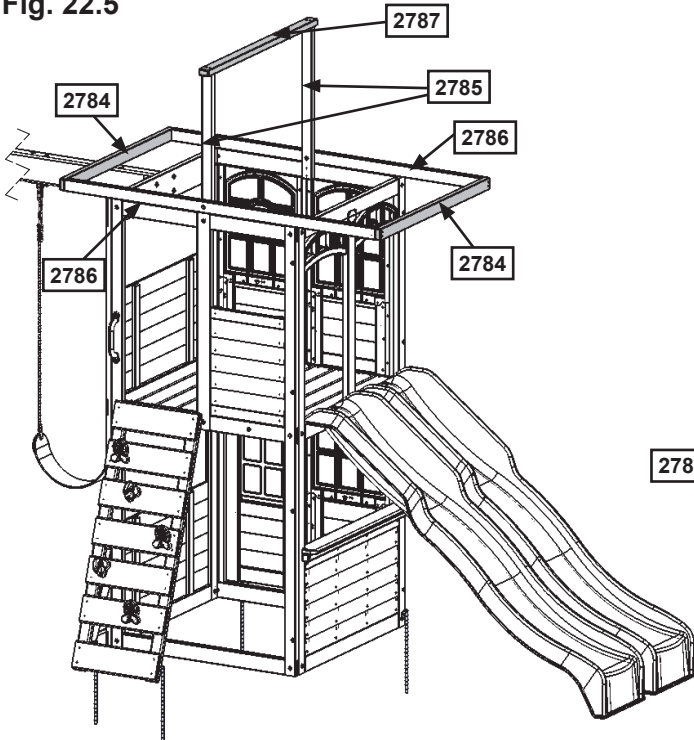


Fig. 22.6

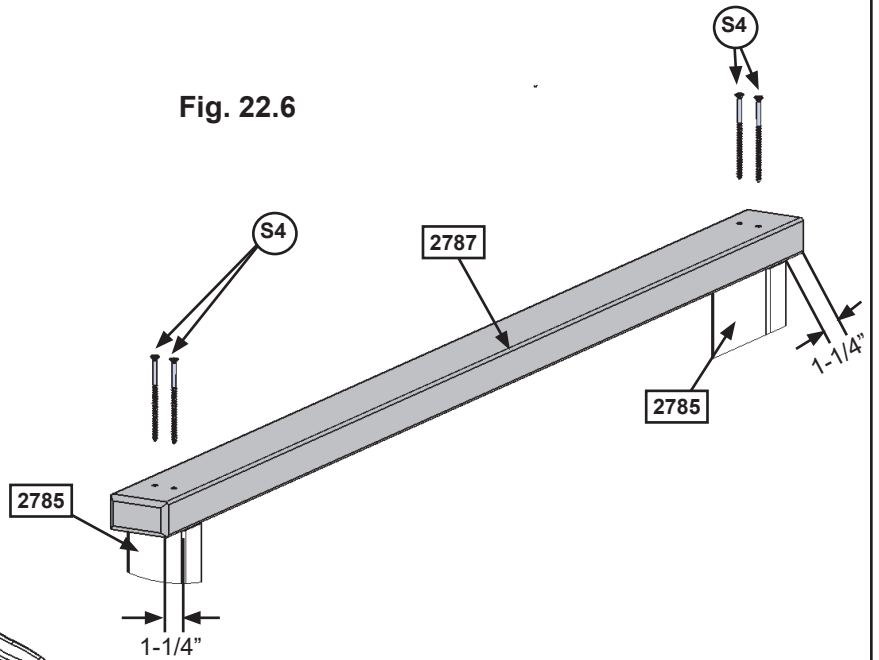
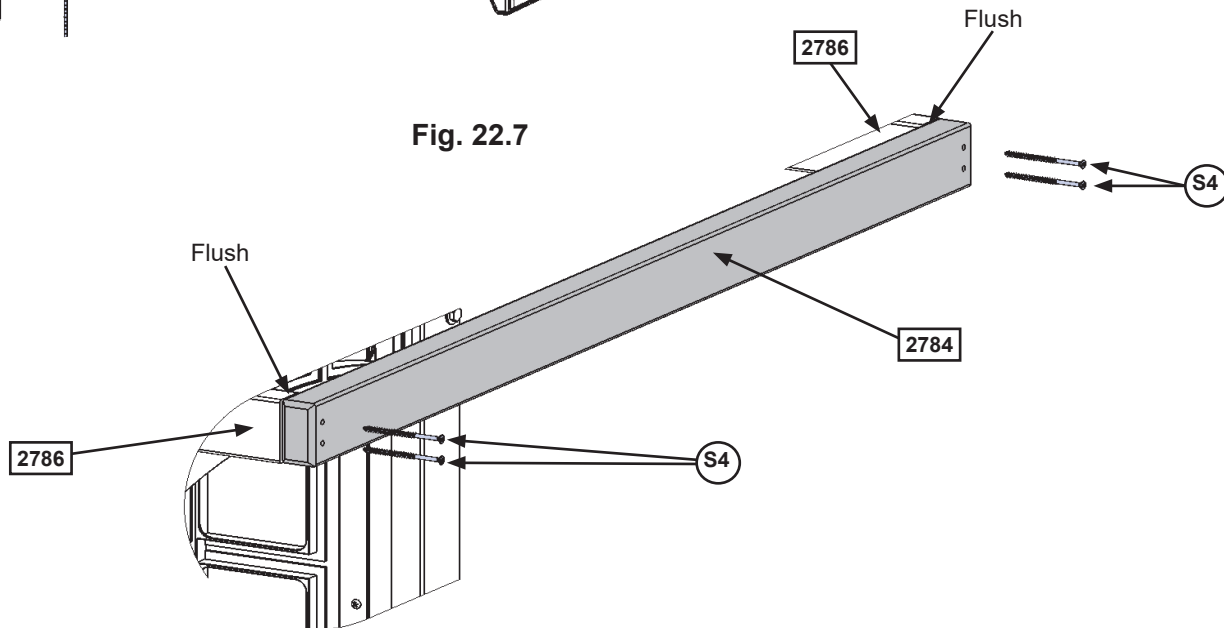


Fig. 22.7



### Wood Parts

- 2 x 2784 Roof End 1-1/4 x 2-1/4 x 43-1/4"
- 1 x 2787 Roof Top 1-1/4 x 2-1/4 x 43-1/4"

### Hardware

- 12 x S4 #8 x 3" Wood Screw

# Step 23: Attach Canopy

**A:** Place Canopy over (2787) Roof Top making sure bottom edges of Canopy are even on both sides of assembly. (fig. 23.1)

**B:** Secure one side by attaching Canopy to 1 (2784) Roof End using 5 (S5) #8 x 1/2" Pan Screws (with #8 flat washer). (fig. 23.1 & 23.2)

**C:** Make sure the Canopy is smooth and tight and then secure to the remaining (2784) Roof End using 5 (S5) #8 x 1/2" Pan Screws (with #8 flat washer). (fig. 23.1 & 23.2)

**D:** Attach Canopy to each end of (2787) Roof Top using 2 (S5) #8 x 1/2" Pan Screws (with #8 flat washer). (fig. 23.1 & 23.3)

Fig. 23.1

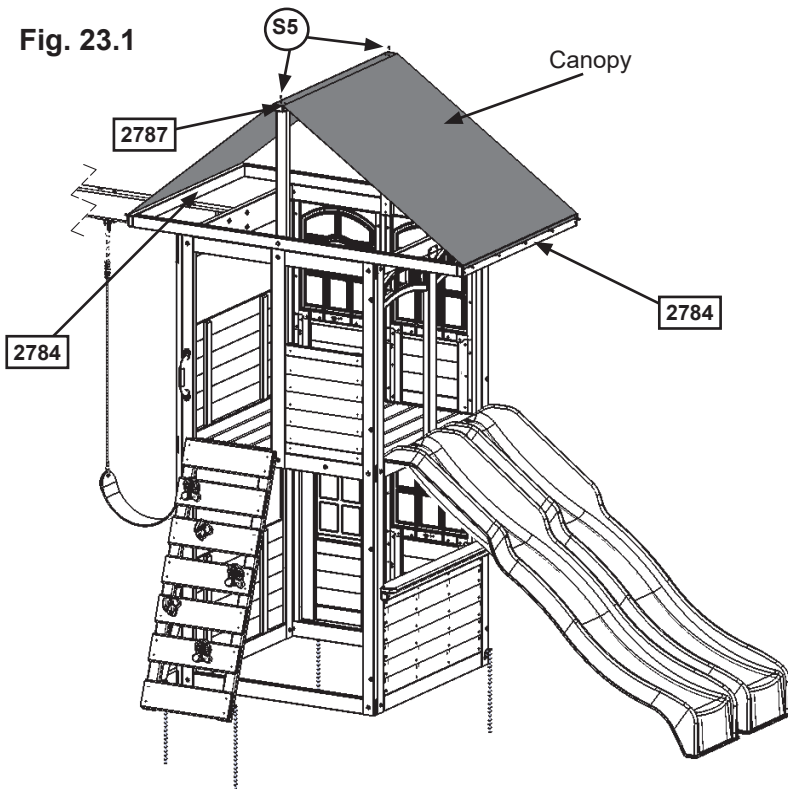


Fig. 23.3

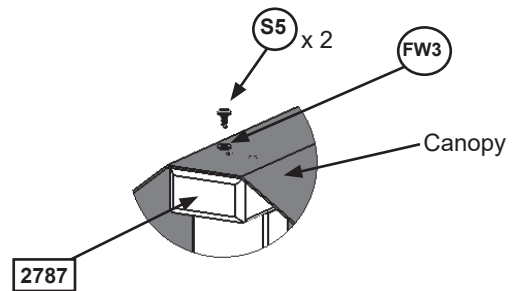
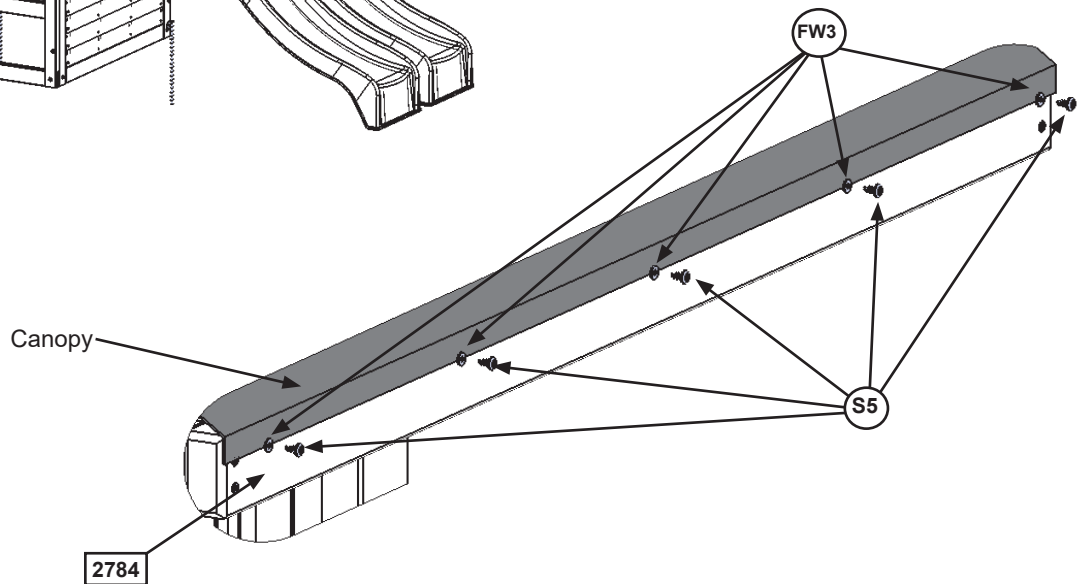


Fig. 23.2



### Hardware

12 x (S5) #8 x 1/2" Pan Screw (with #8 flat washer)

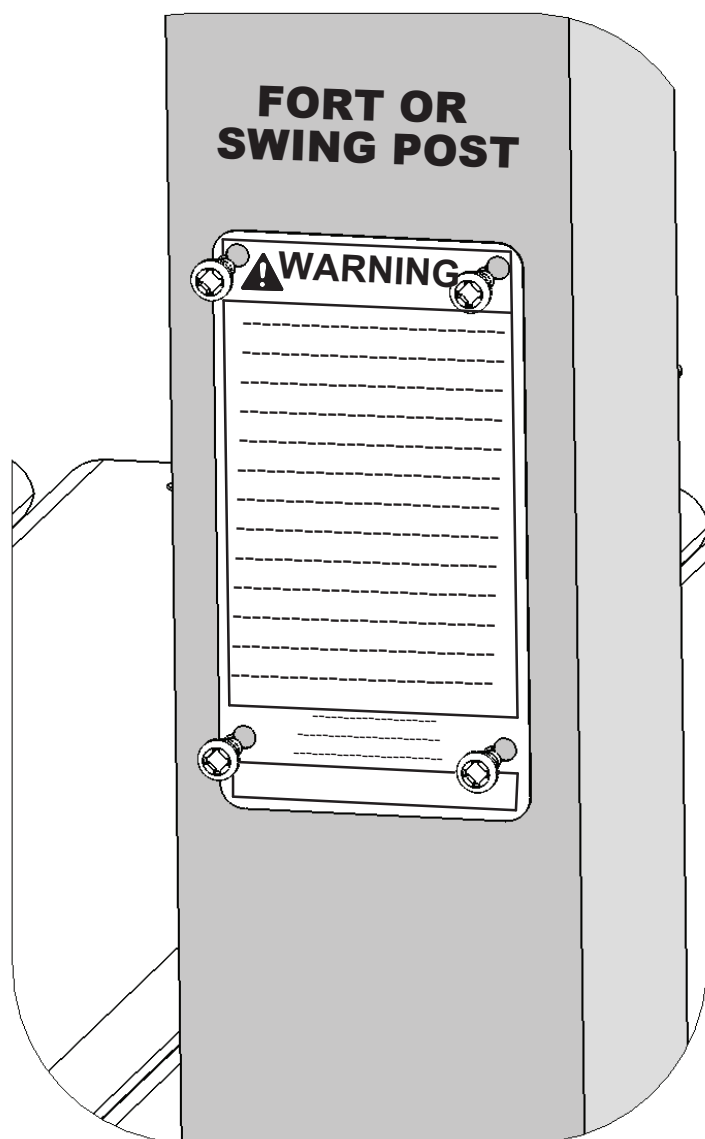
### Other Parts

1 x Canopy

## Final Step: Attach I.D. Plaque

### ATTACH THIS WARNING & I.D. PLAQUE TO A PROMINENT LOCATION ON YOUR PLAY EQUIPMENT! (Fort or Swing Post)

This provides warnings concerning safety and important contact information. A Tracking Number is provided to allow you to get critical information or order replacement parts for this specific model.



Attach with 4 (S13) #8 x 5/8" Pan Screws to a location on your set that is easily seen and read by a supervising adult.







# NOTES

---

---

---

---

---

---

---

---

---

---

---

---

---

---

---

---

---

---

---

---

---

---

---

---

---

---

---

---

# 3 EASY WAYS TO REGISTER YOUR PRODUCT 24/7

- 1) Scan this QR Code with your smart phone to complete your product registration directly from your phone:
- 2) Complete the registration online at: [https://www.kidkraft.com/us\\_en/warranty/](https://www.kidkraft.com/us_en/warranty/)
- 3) Mail this completed form to: KidKraft Inc., 4630 Olin Road, Dallas, Tx 75244 USA  
Make sure to include a copy of your proof of purchase



## KIDKRAFT Consumer Registration Card

First Name  Initial  Last Name

Street  Apt. No.

City  State/Province  ZIP/Postal Code

Country  Telephone Number

E-Mail Address

Model Number  Model Name

Model Number & Name example  
F24145 AINSLEY PLAY SYSTEM

Purchased From  Date Purchase

MM / DD / YY

Serial Number (on ID Plaque)



ID Plaque example

Box #: \_\_\_\_\_ 1 of \_\_\_\_\_      Box #: \_\_\_\_\_ 4 of \_\_\_\_\_      Box # (Ex: B29410 1 of 6)

Box #: \_\_\_\_\_ 2 of \_\_\_\_\_      Box #: \_\_\_\_\_ 5 of \_\_\_\_\_

Box #: \_\_\_\_\_ 3 of \_\_\_\_\_      Box #: \_\_\_\_\_ 6 of \_\_\_\_\_

**1** OF **6**

ITEM #  
ARTICLE N°  
N° DE ARTICULO  
**B29410**

For common questions or for information on ordering replacement parts:

Help Center: <https://kidkraft.zendesk.com/hc/en-us/>

