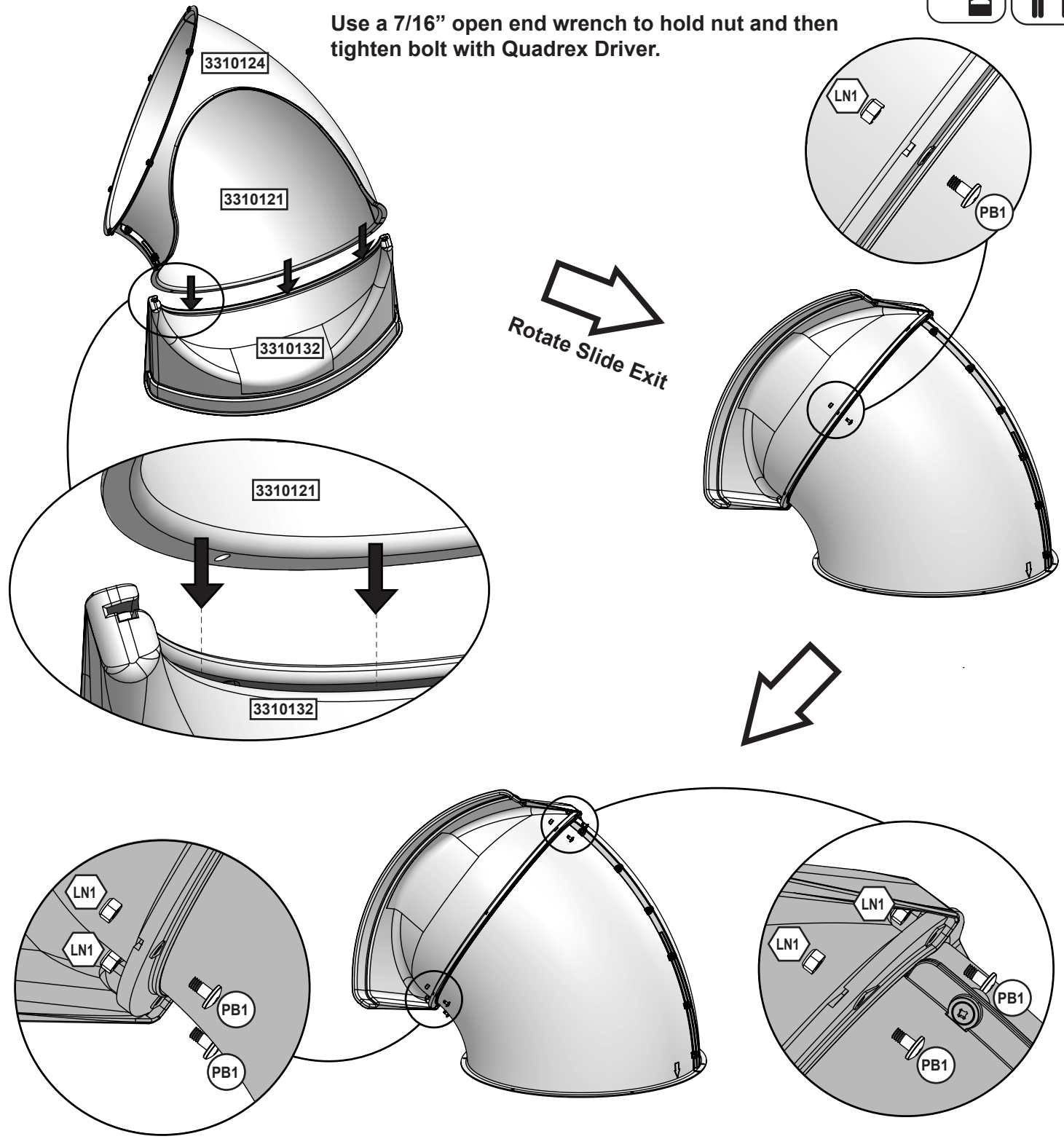




Use a 7/16" open end wrench to hold nut and then tighten bolt with Quadrex Driver.



**Hardware**

5 x 6.4mm x 19 mm (1/4 x 3/4") (LN1)

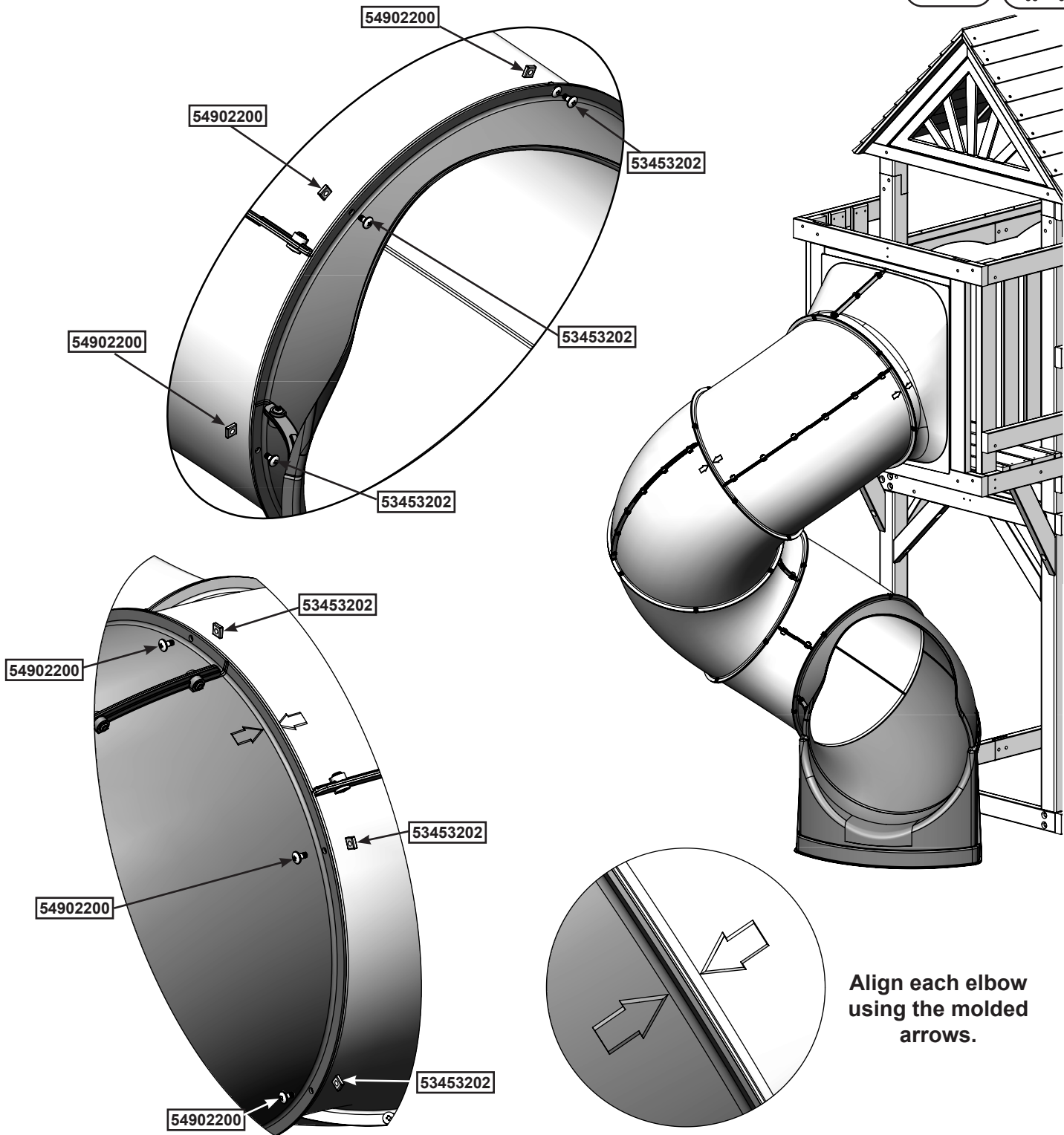
**Other Parts**

1 x



59

Tighten all slide bolts before the clamp rings go on in the next step.



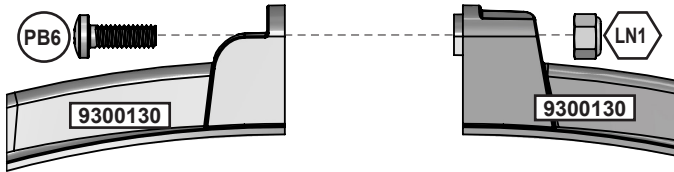
Align each elbow using the molded arrows.

**Other Parts**

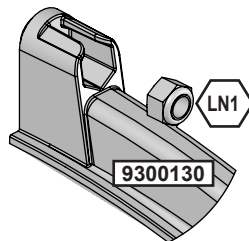
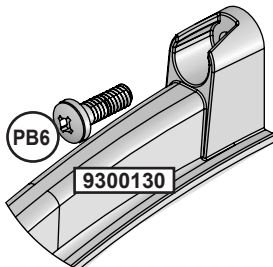
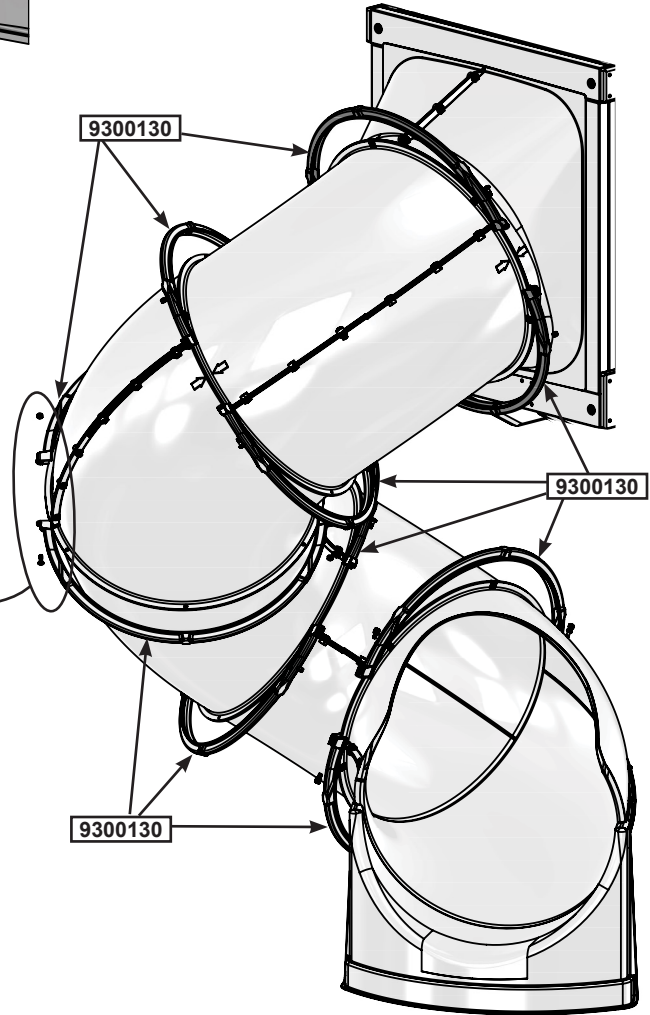
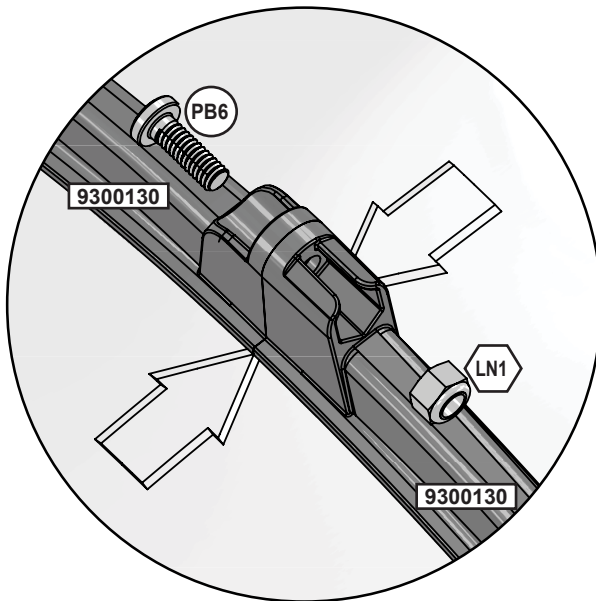
- 6 x 54902200
- 6 x 53453202 1/4" x 12.7mm



**Warning. Do not over tighten the clamp rings.**



**After the clamp rings are attached to the elbows, fasten them end to end with two pan bolts and lock nuts**



**Note: For ease of assembly bottom set of clamp rings can be rotated 90 degrees to install bolts.**

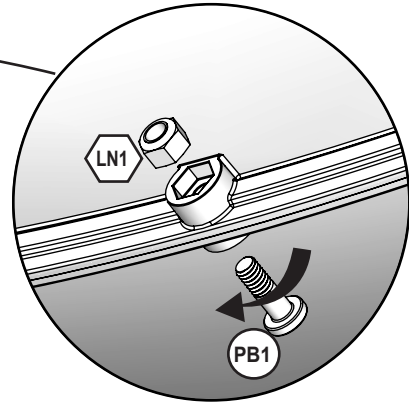
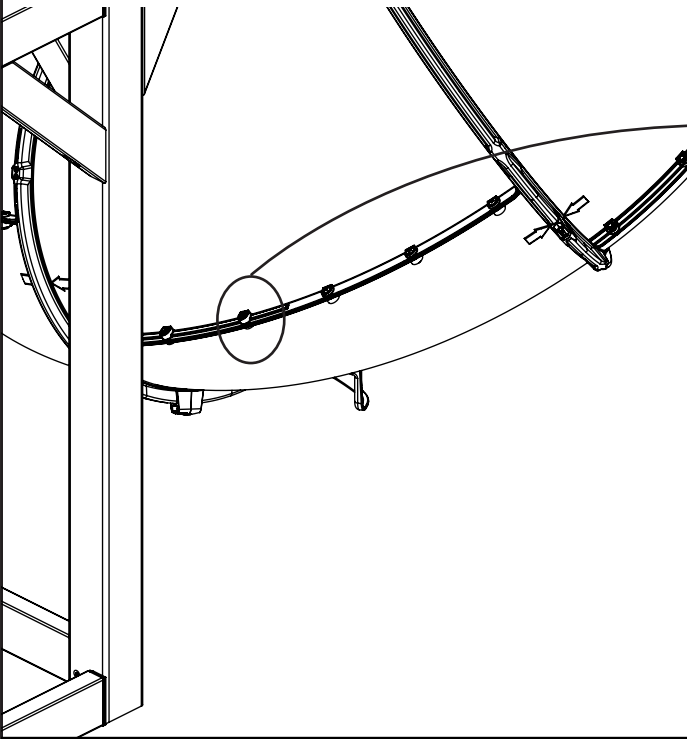
**Hardware**

10 x (PB6) 6.4mm x 25.4 mm (1/4 x 1") (LN1)

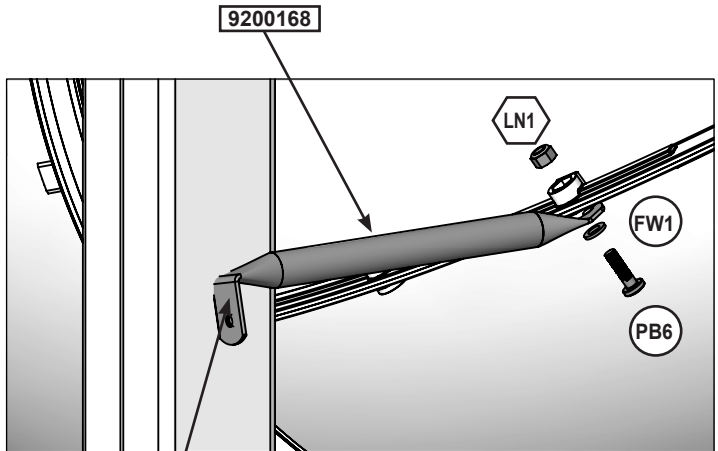
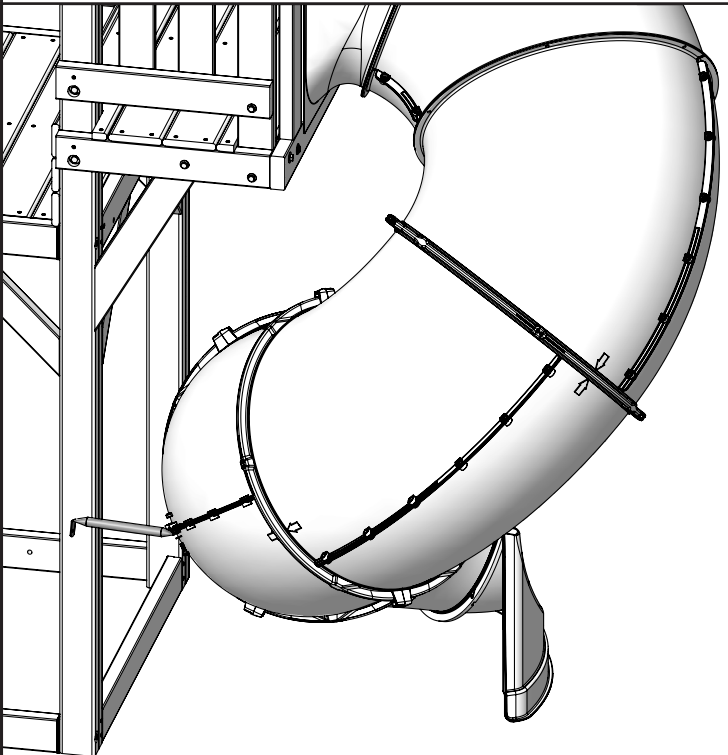
**Other Parts**

10 x (9300130)





Remove PB1 (1/4 x 3/4" Pan Bolt),  
The bolt (PB1) will no longer be  
needed, but keep the lock nut (LN1)



Note: Flat end down

Install PB6 (1/4 x 1" Pan Bolt  
with flat washer (FW1)

**Hardware**

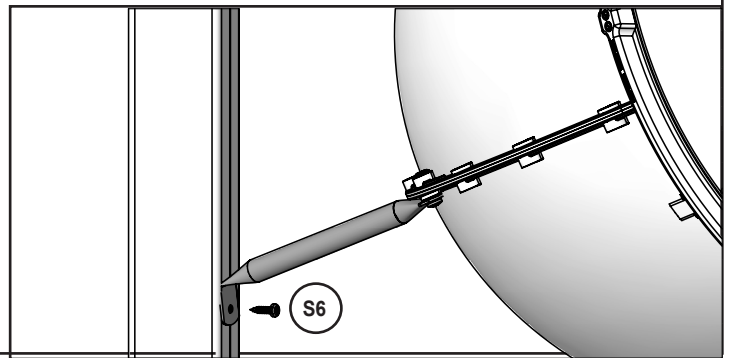
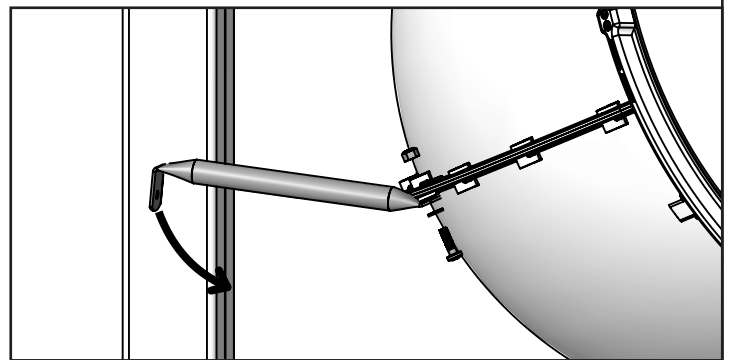
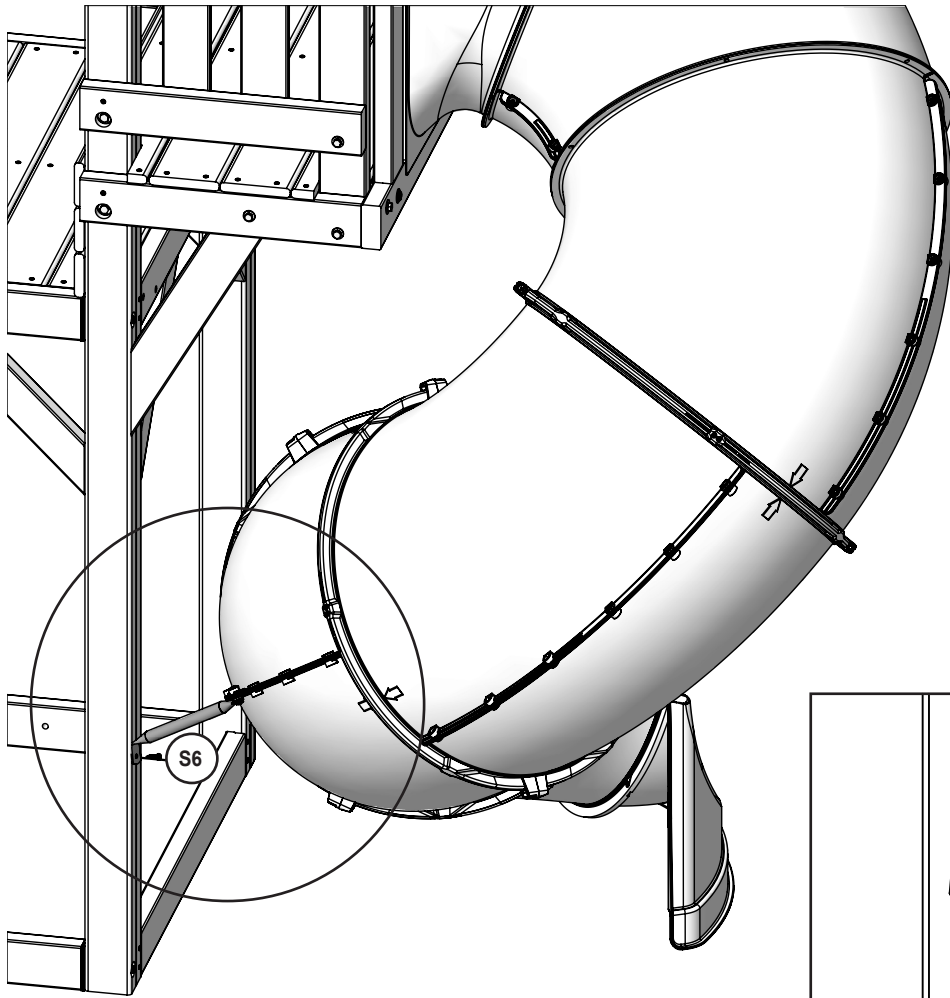
1 x PB6 6.4mm x 25.4 mm (1/4 x 1") (FW1)

**Other Parts**

1 x 9200168



62



**Hardware**

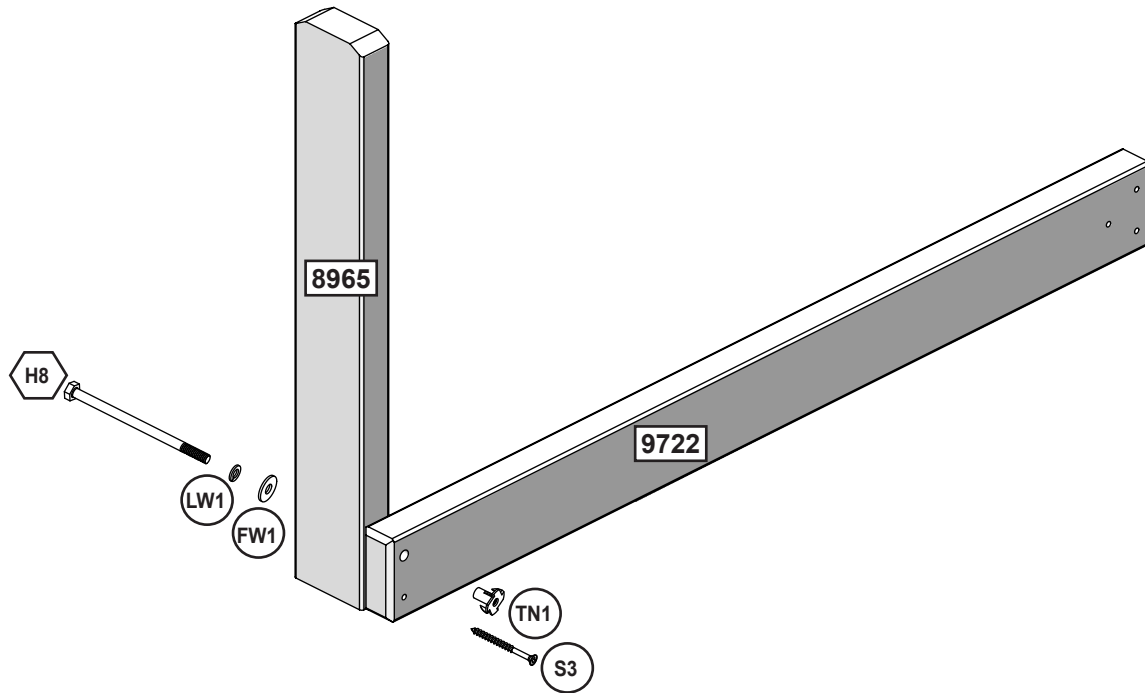
1 x  #12 x 25.4mm (#12 x 1")

europcustomerservice@kidkraft.com  
+31 20 305 8620  
M-F from 09:00 to 17:30 (GMT+1)

parts.kidkraft.eu



Assemble T-Nuts first with hammer!

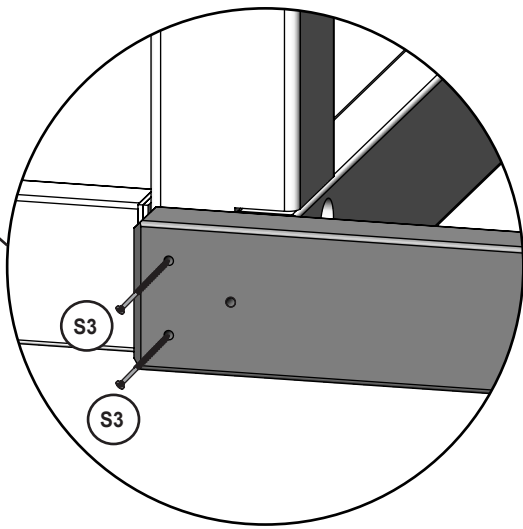
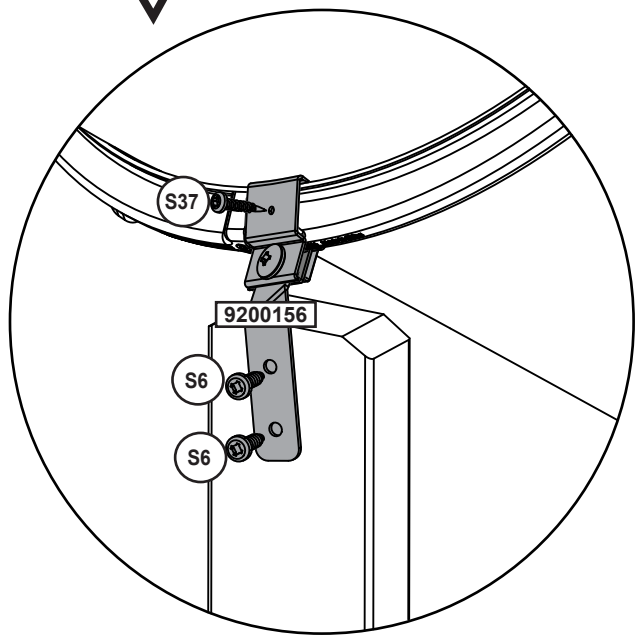
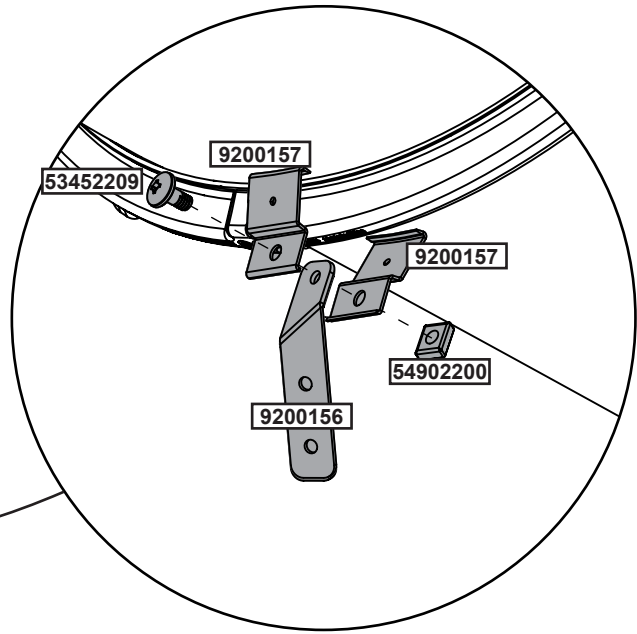
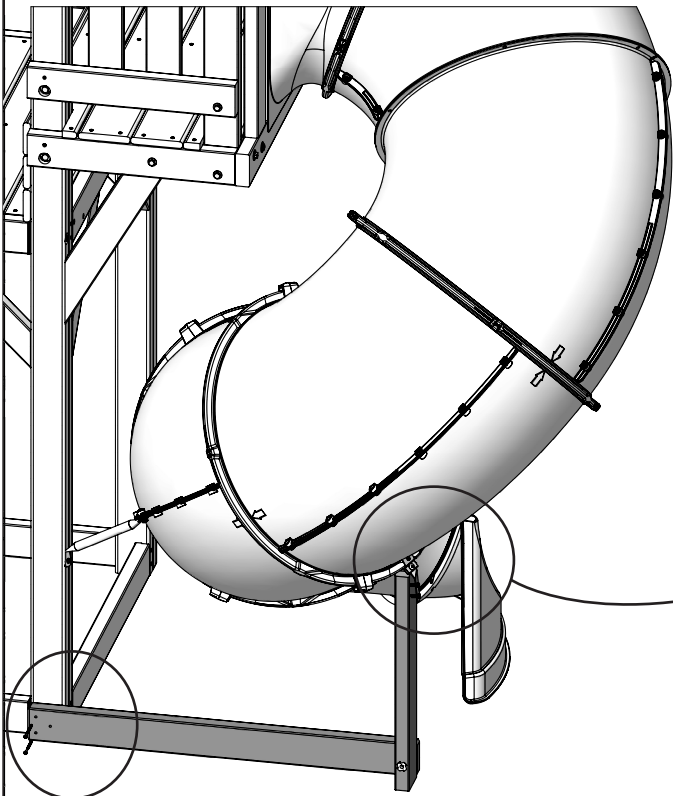
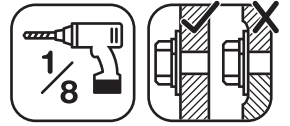


**Wood Parts**

- 1 x 8965 31.8 x 76.2 x 514.4 mm (1-1/4" x 3" x 20-1/4")
- 1 x 9722 31.8 x 76.2 x 857.3 mm (1-1/4" x 3" x 33-3/4")

**Hardware**

- 1 x H8 6.4mm x 108mm (1/4 x 4-1/4")(FW1, LW1, TN1)
- 1 x S3 #8 x 64mm (#8 x 2-1/2")



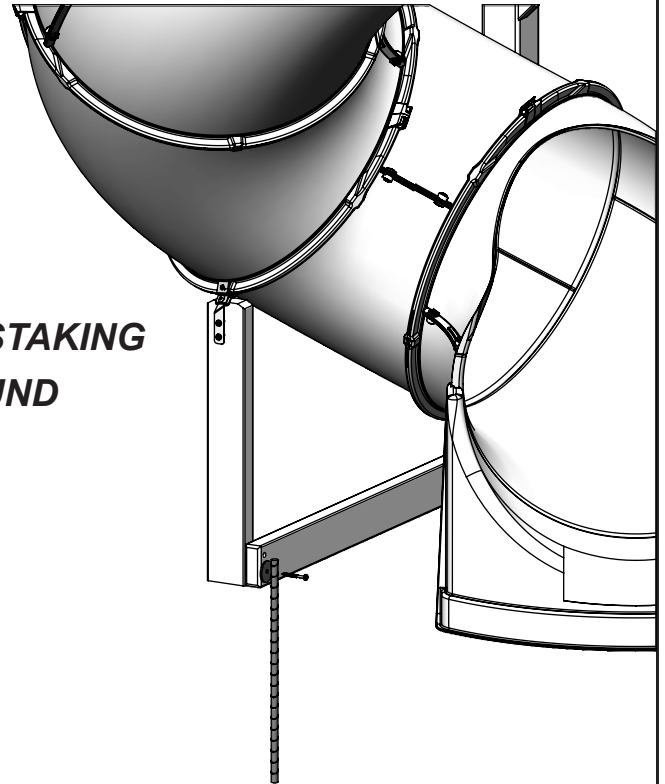
**Hardware**

- 1 x S37 #7 x 15.87mm (#7 x 5/8")
- 2 x S6 #12 x 25.4mm (#12 x 1")
- 2 x S3 #8 x 64mm (#8 x 2-1/2")

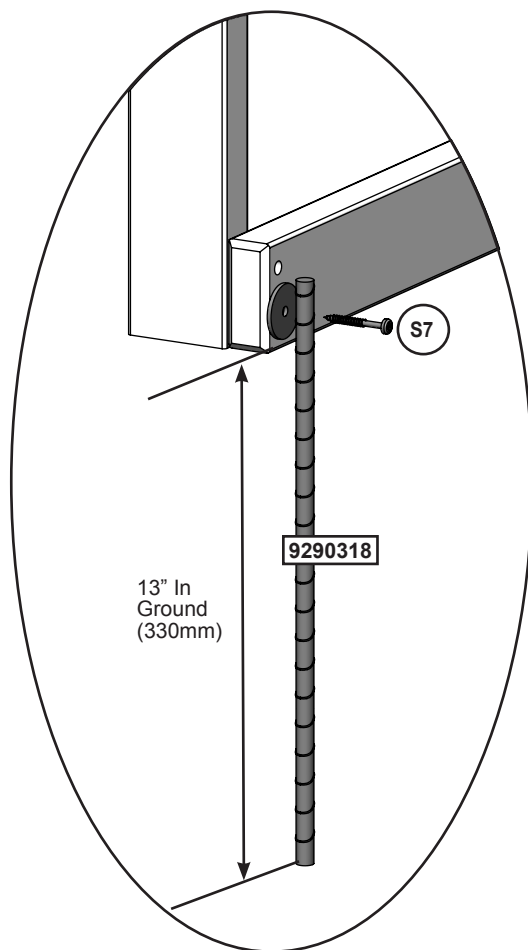
**Other Parts**

- 1 x 54902200 2 x 9200157
- 1 x 9200156 1 x 53452209 1/4 x 14.5mm





**MOVE FORT TO FINAL LOCATION PRIOR TO STAKING  
FINAL LOCATION MUST BE LEVEL GROUND**

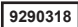


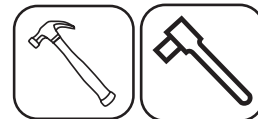
**Warning!** To prevent tipping and avoid potential injury, stakes must be driven 13" (330mm) into ground. Digging or driving stakes can be dangerous if you do not check first for underground wiring, cables or gas lines.

**Hardware**

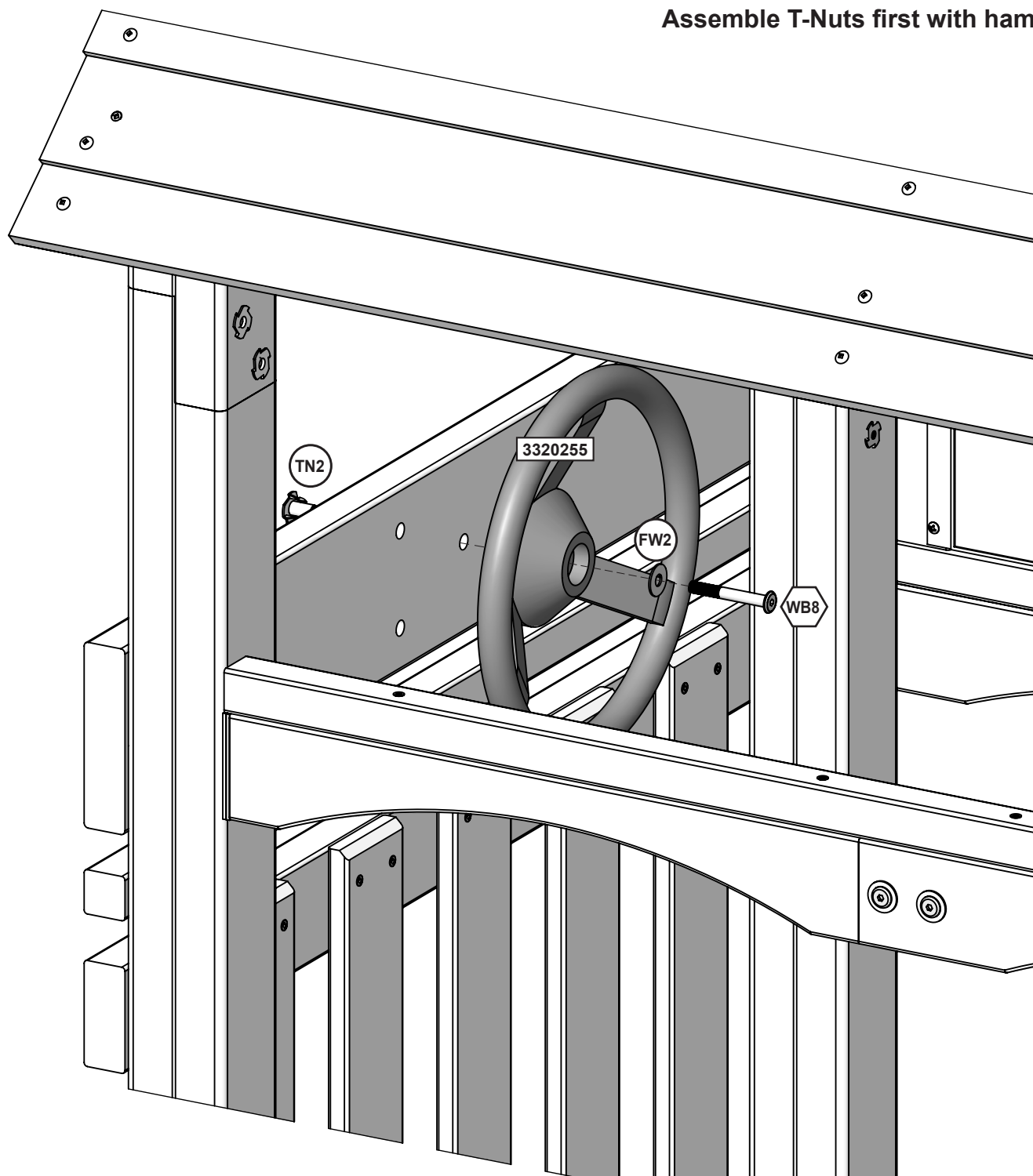
1 x  #12 x 50.8mm (#12 x 2")

**Other Parts**

1 x 



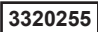
Assemble T-Nuts first with hammer!



**Hardware**

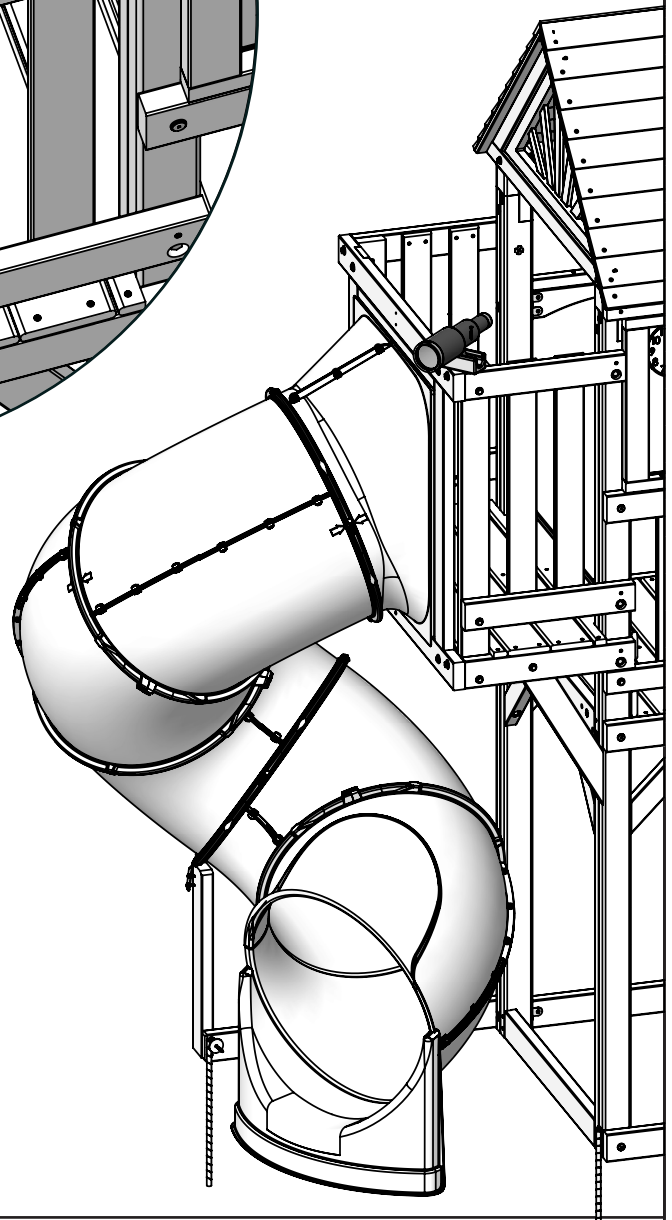
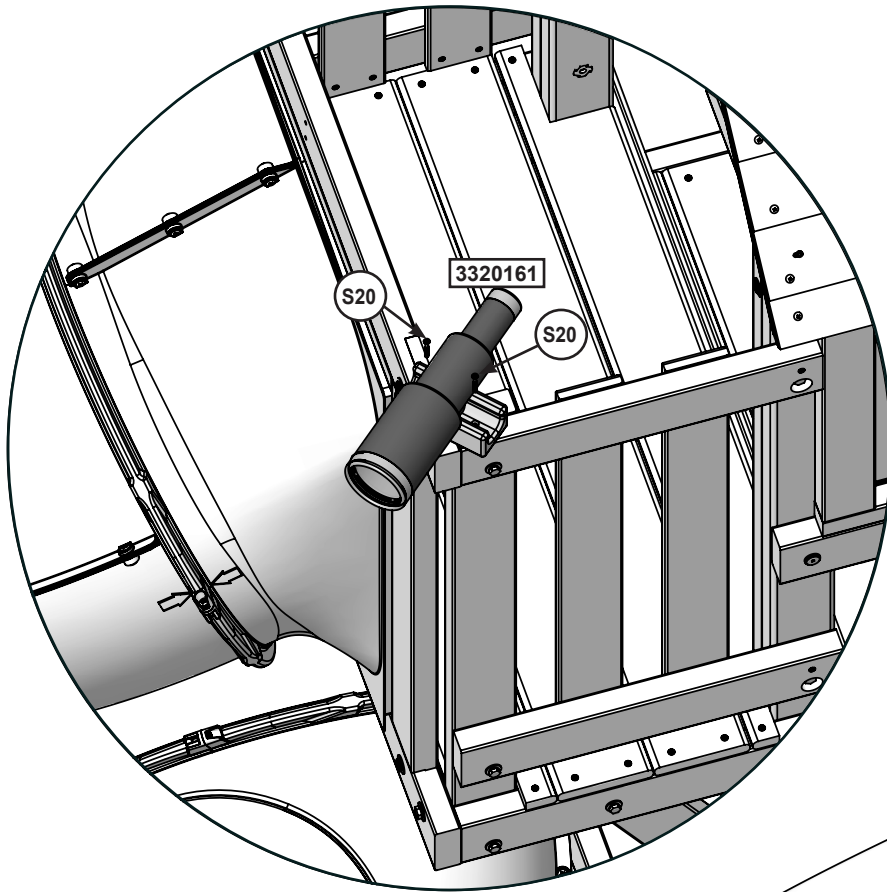
1 x  7.9mm x 60.3 mm (5/16 x 2-3/8") (FW2, TN2)

**Other Parts**


1 x 






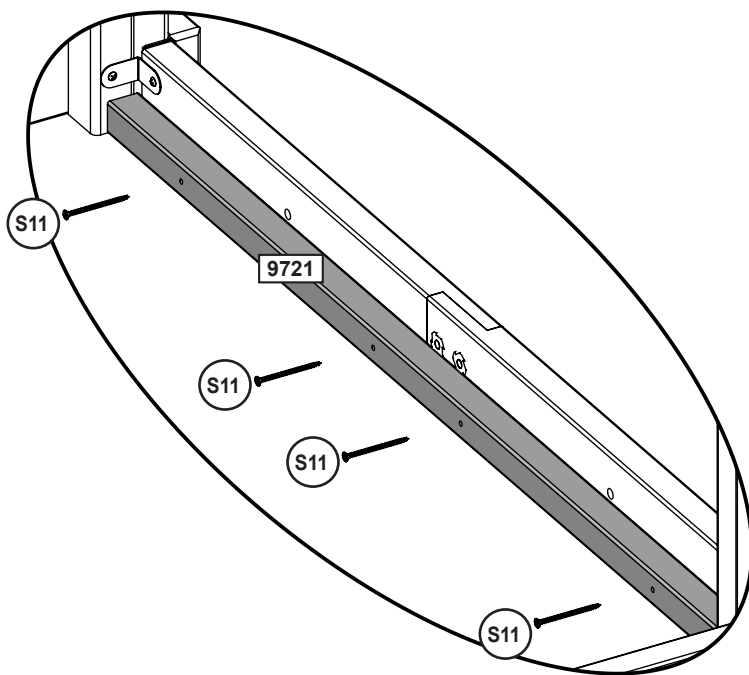
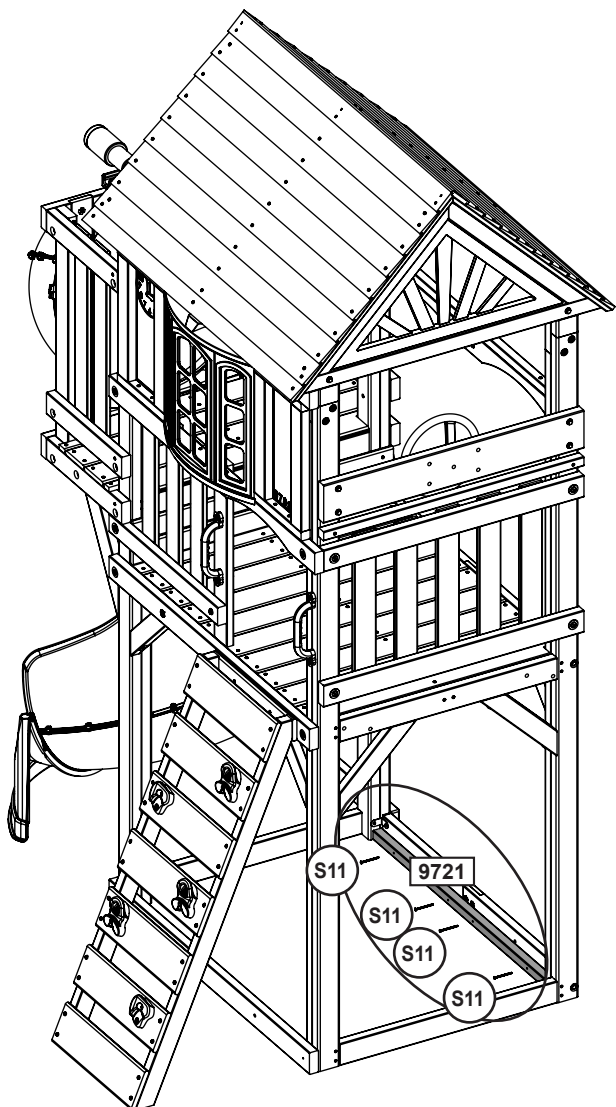


**Hardware**

2 x  #8 x 35mm (#8 x 1-3/8")

**Other Parts**

1 x 



**Wood Parts**

1 x 9721 31.8 x 31.8 x 1064.8 mm (1-1/4" x 1-1/4" x 41-15/16")

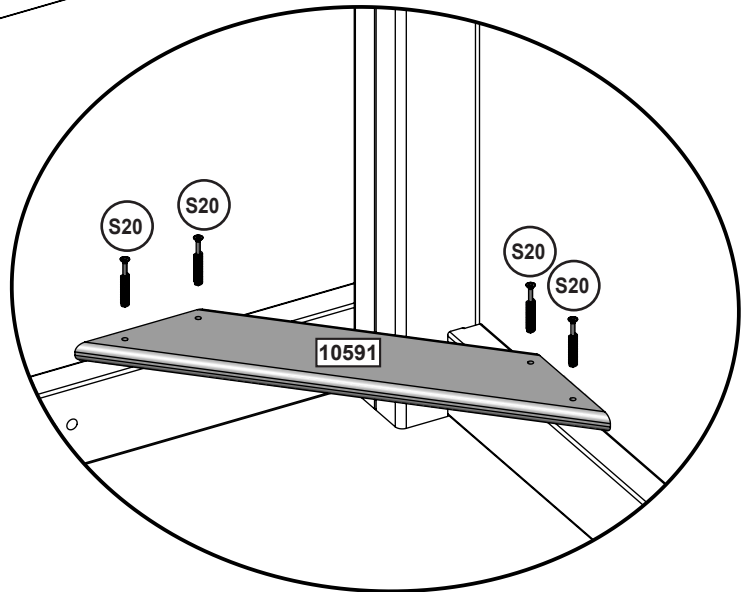
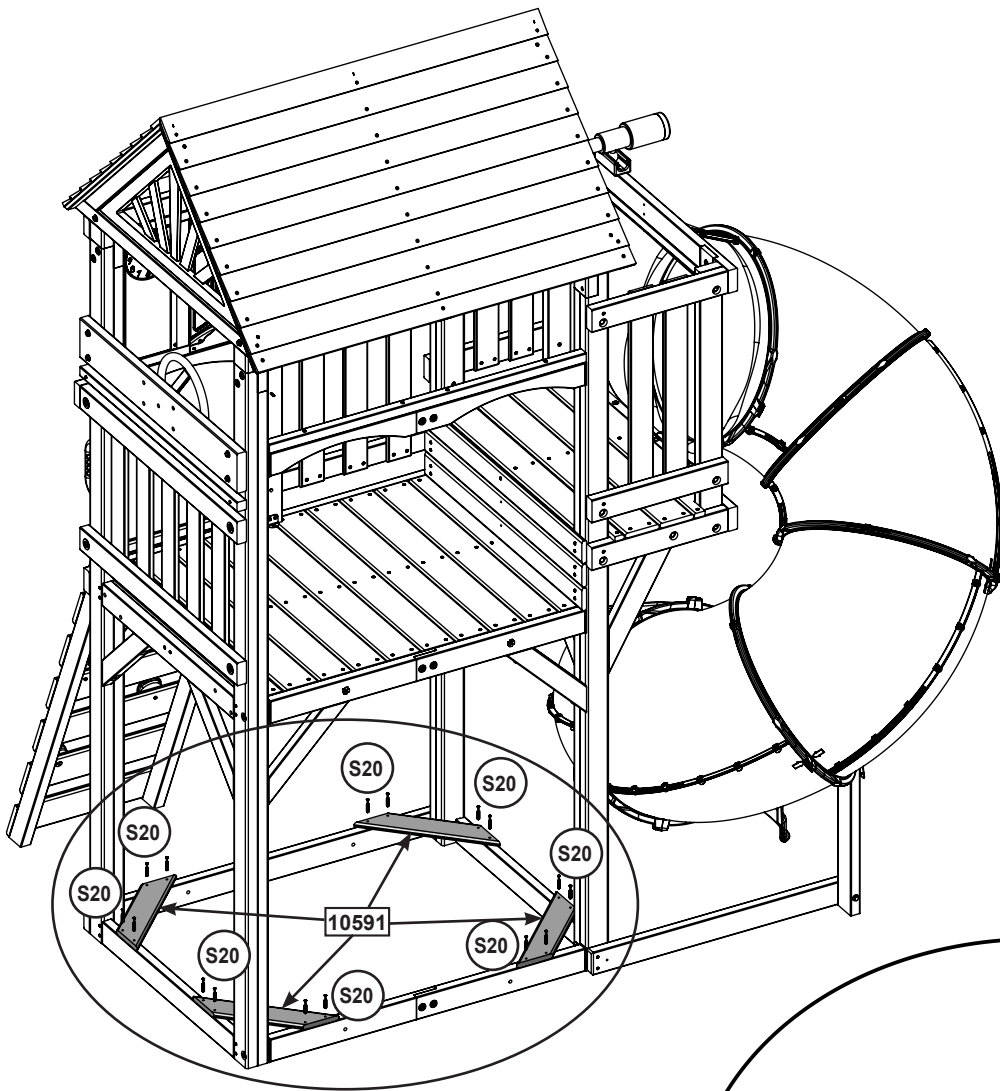
**Hardware**

4 x S11 #8 x 50.8mm (#8 x 2")

europecustomerservice@kidkraft.com  
+31 20 305 8620  
M-F from 09:00 to 17:30 (GMT+1)

parts.kidkraft.eu



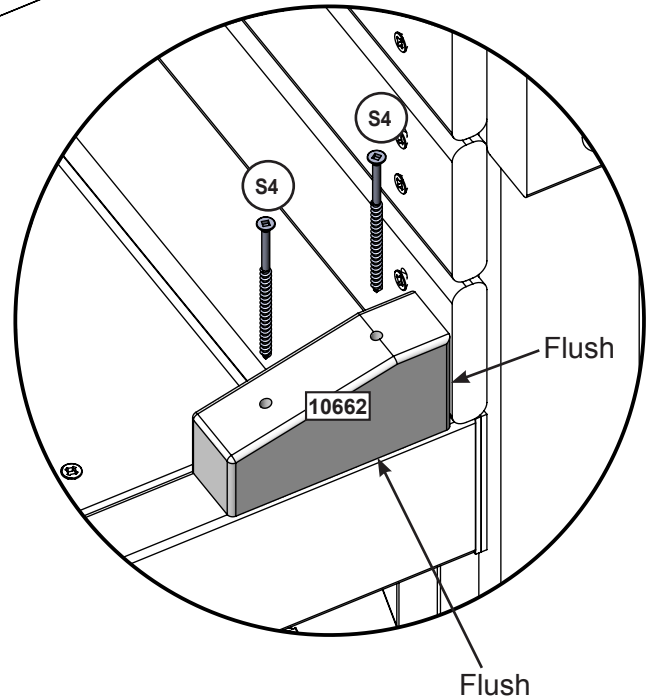
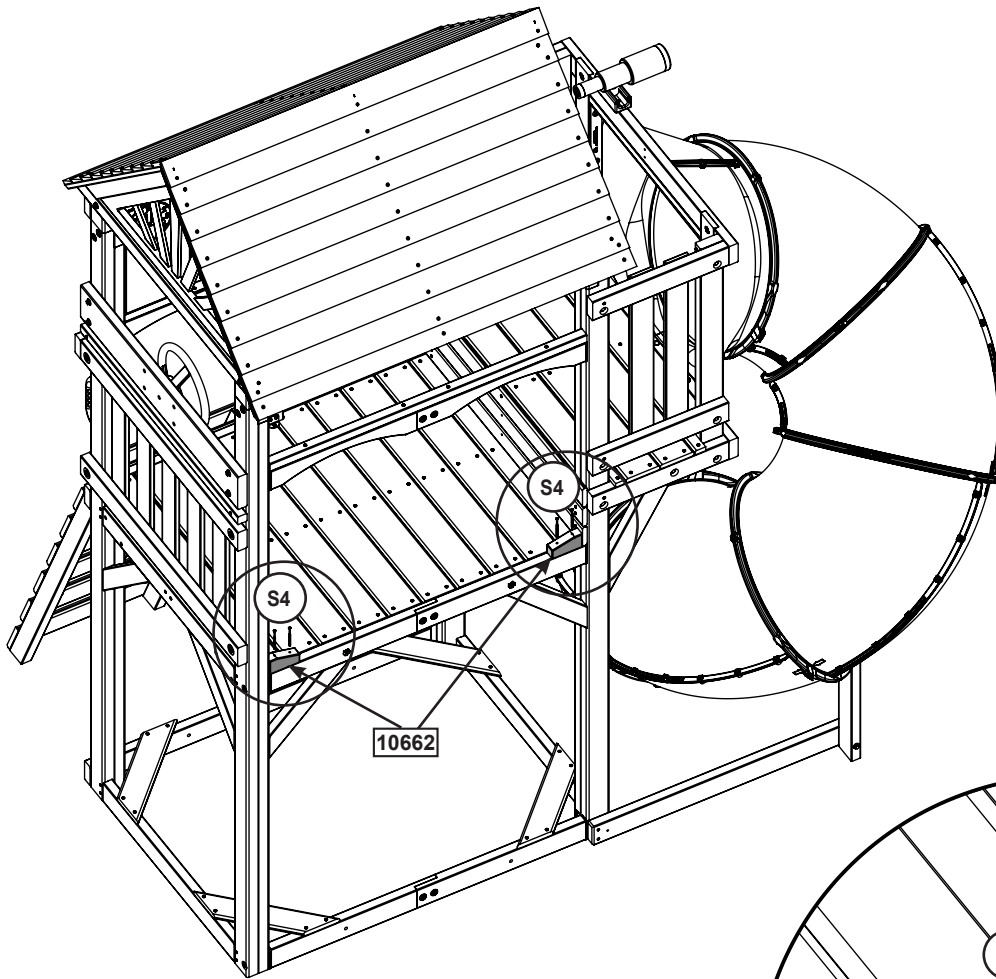


**Wood Parts**

1 x **10591** 15.9 x 85.7 x 440.0 mm (5/8" x 3 3/8" x 17 5/16")

**Hardware**

16 x **S20** #8 x 35mm (#8 x 1-3/8")



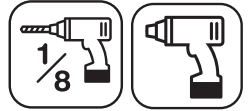
**Wood Parts**

2 x 10662 31.8 x 50.8 x 101.6 mm (1 1/4" x 2" x 4")

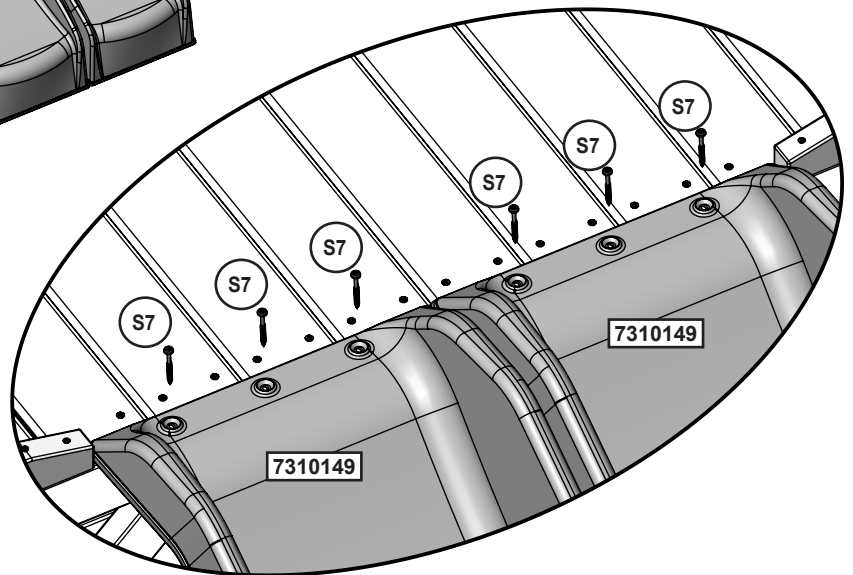
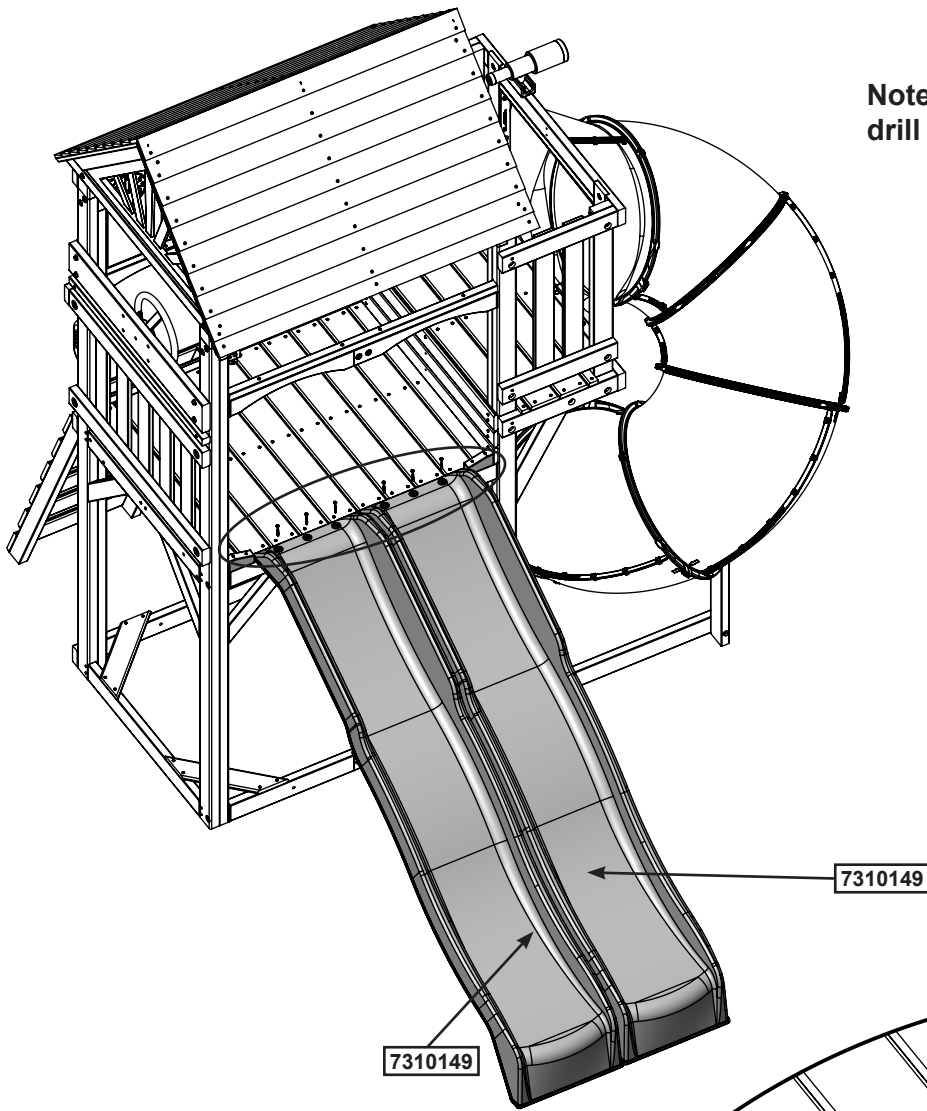
**Hardware**

4 x S4 #8 x 76.2mm (#8 x 3")





Note: Pre-drill all holes using a 1/8" drill bit before installing the S7 screws.



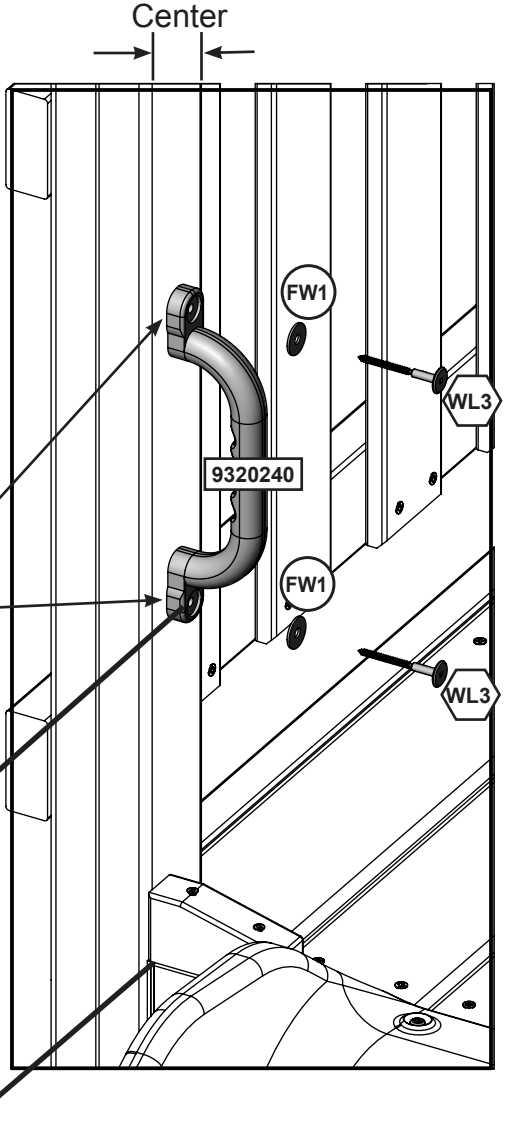
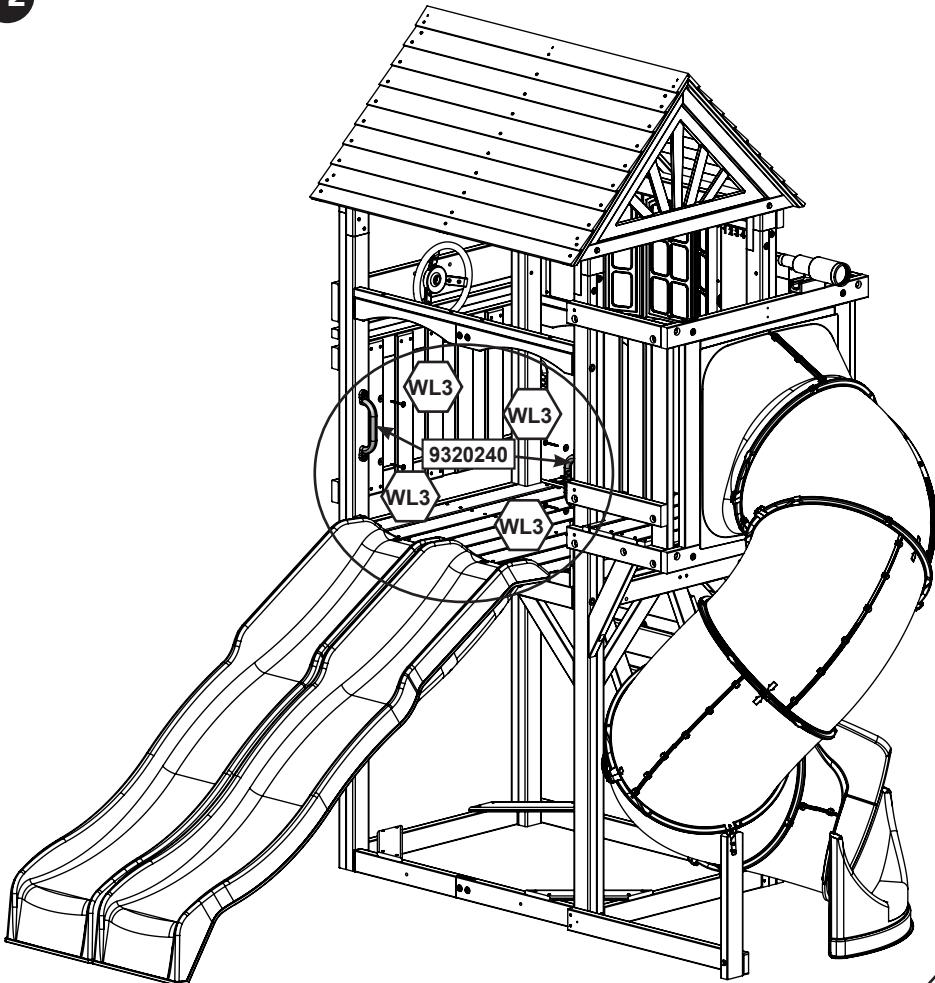
**Hardware**

6 x #12 x 50.8mm (#12 x 2")

**Other Parts**

2 x





Pre-drill each hole using a 3/16" drill bit.

(235mm)  
9 1/4"

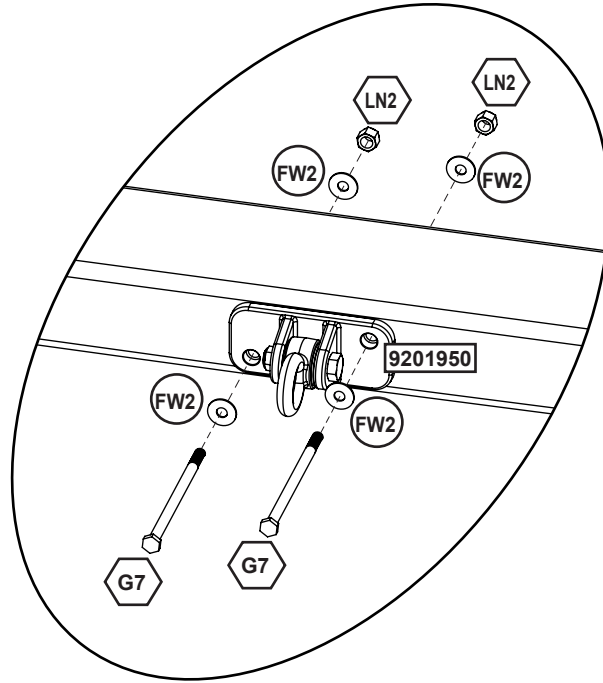
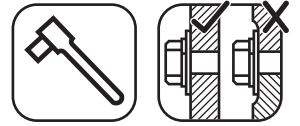
**Hardware**

4 x 6.4mm x 35mm (1/4 x 1-3/8") (FW1)

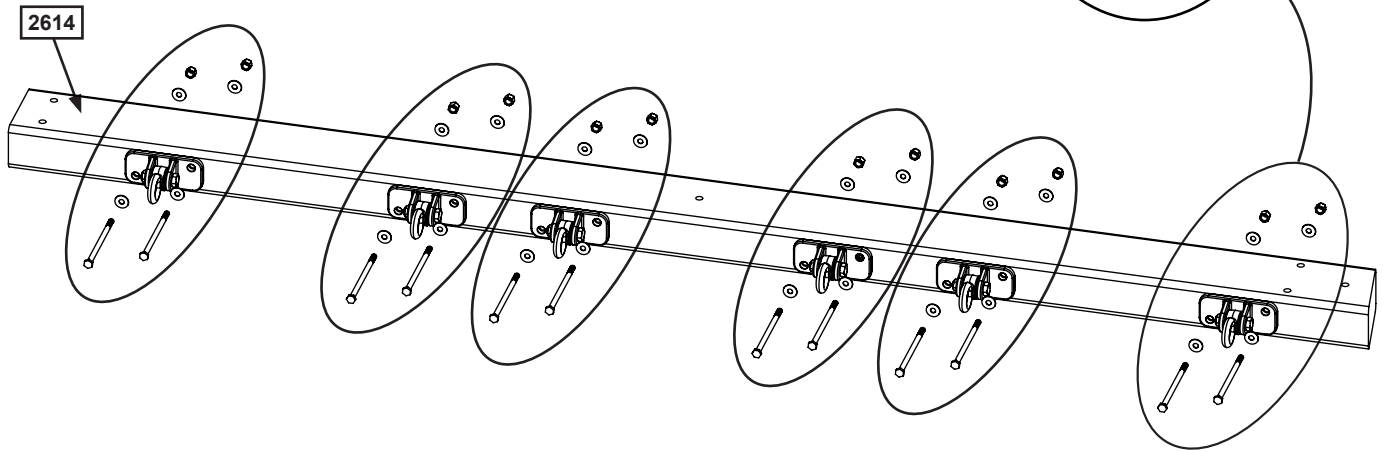
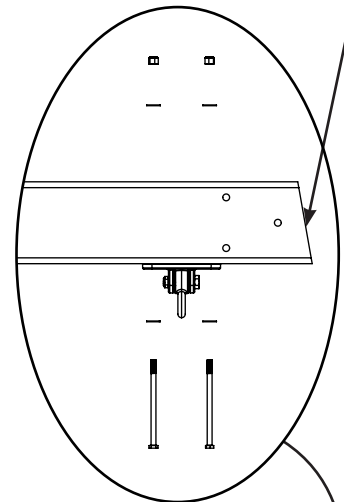
**Other Parts**

2 x





Notice Angle Orientation



**Wood Parts**

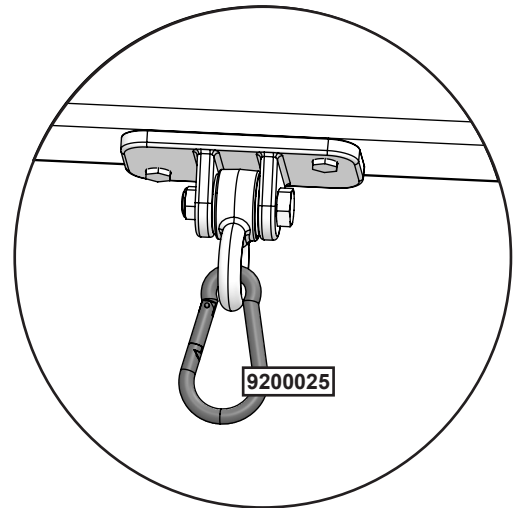
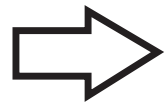
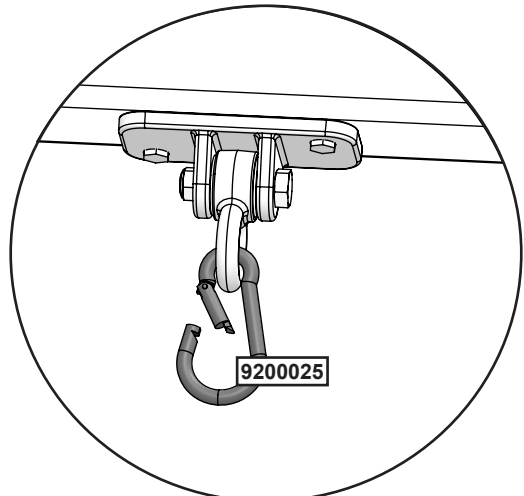
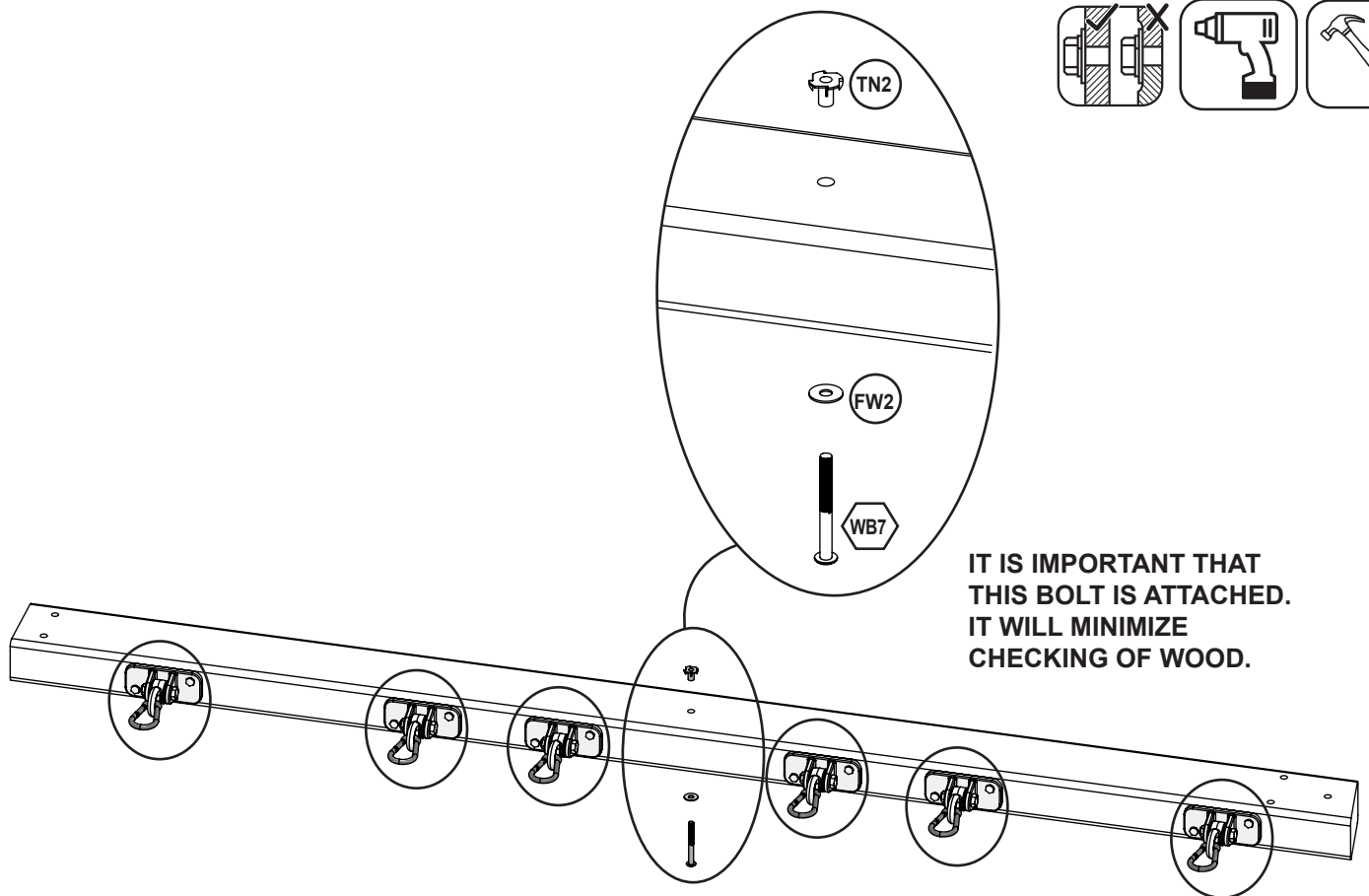
1 x 2614 76.2 x 133.4 x 2235.2 mm (3" x 5-1/4" x 88")

**Hardware**

12 x G7 7.9mm x 139.7 mm (5/16 x 5-1/2") ( LN2, 2 x FW2)

**Other Parts**

6 x 9201950



**Caution:** The Spring Loaded Quick Link must be attached to the Heavy Duty Swing Hanger in the closed position.

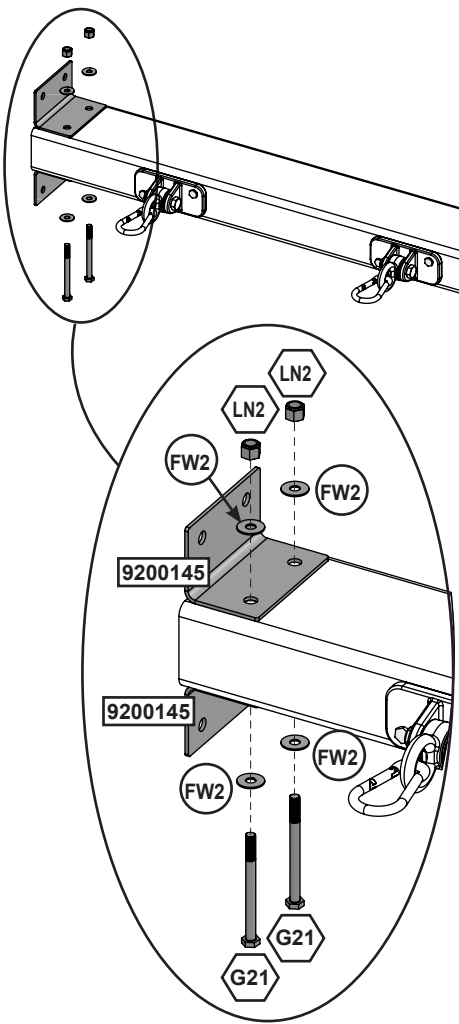
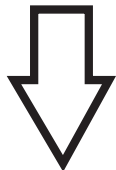
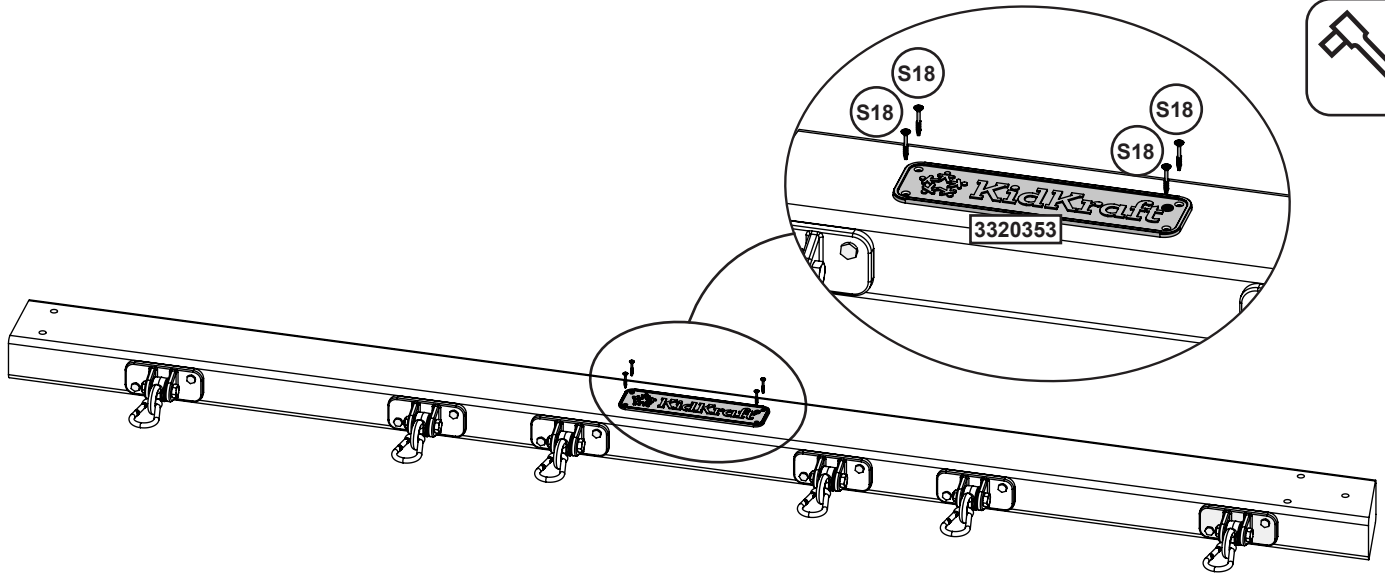
**Hardware**

1 x 7.9mm x 76.2mm (5/16 x 3") ( FW2 , TN2 )

**Other Parts**

6 x





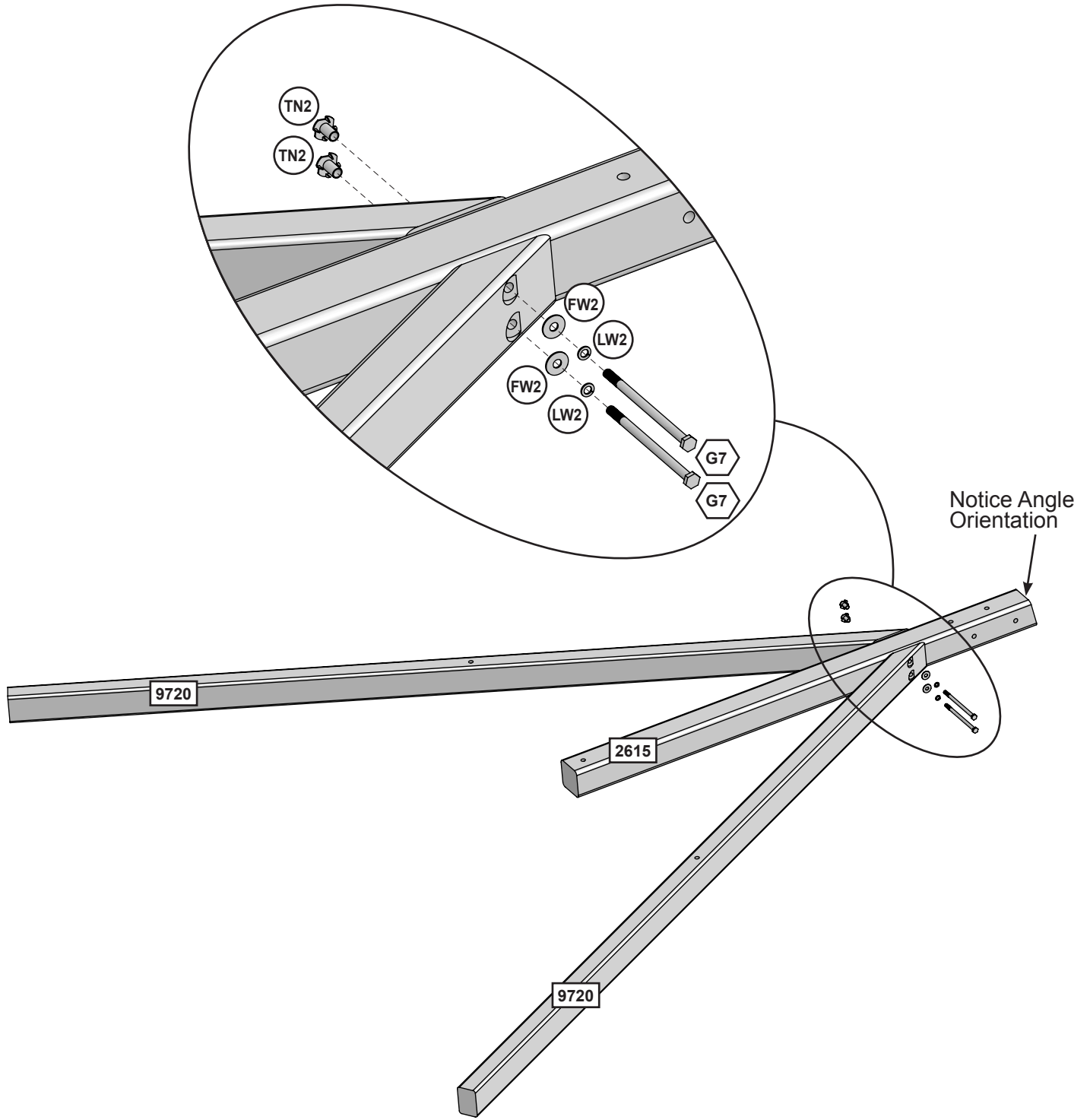
**Hardware**

- 2 x 7.9mm x 95 mm (5/16 x 3-3/4") ( LN2, 2 x FW2)
- 4 x #6 x 25.4mm (#6 x 1")

**Other Parts**

- 2 x
- 1 x

Assemble T-Nuts first with hammer!



**Wood Parts**

- 2 x **9720** 50.8 x 76.2 x 2063.9 mm (2" x 3" x 81-1/4")
- 1 x **2615** 76.2 x 76.2 x 1294.3 mm (3" x 3" x 50-15/16")

**Hardware**

- 2 x **G7** 7.9mm x 139.7 mm (5/16 x 5-1/2") ( LW2,FW2,TN2)

europecustomerservice@kidkraft.com  
 +31 20 305 8620  
 M-F from 09:00 to 17:30 (GMT+1)

parts.kidkraft.eu

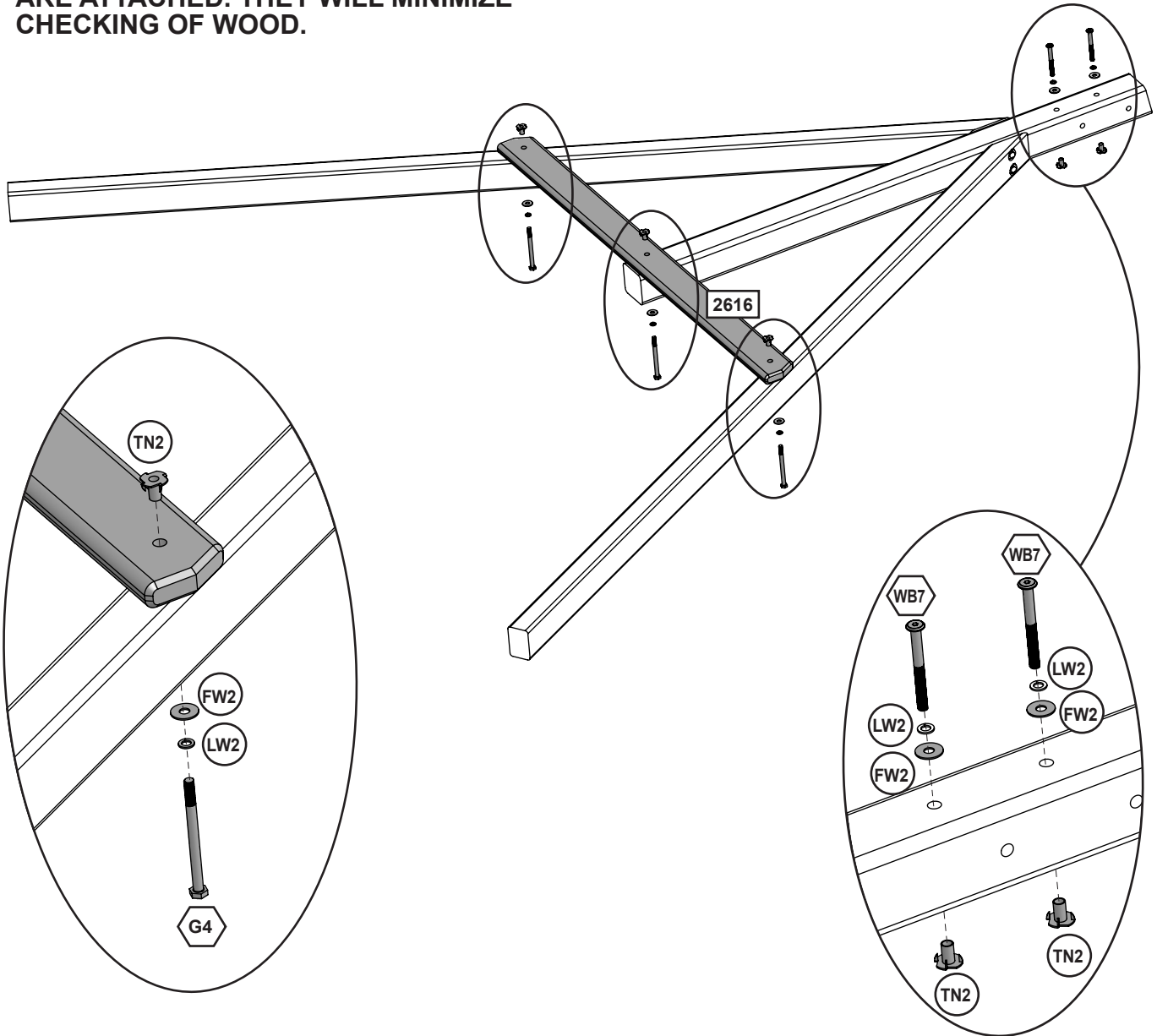






IT IS IMPORTANT THAT THESE BOLTS ARE ATTACHED. THEY WILL MINIMIZE CHECKING OF WOOD.

Assemble T-Nuts first with hammer!



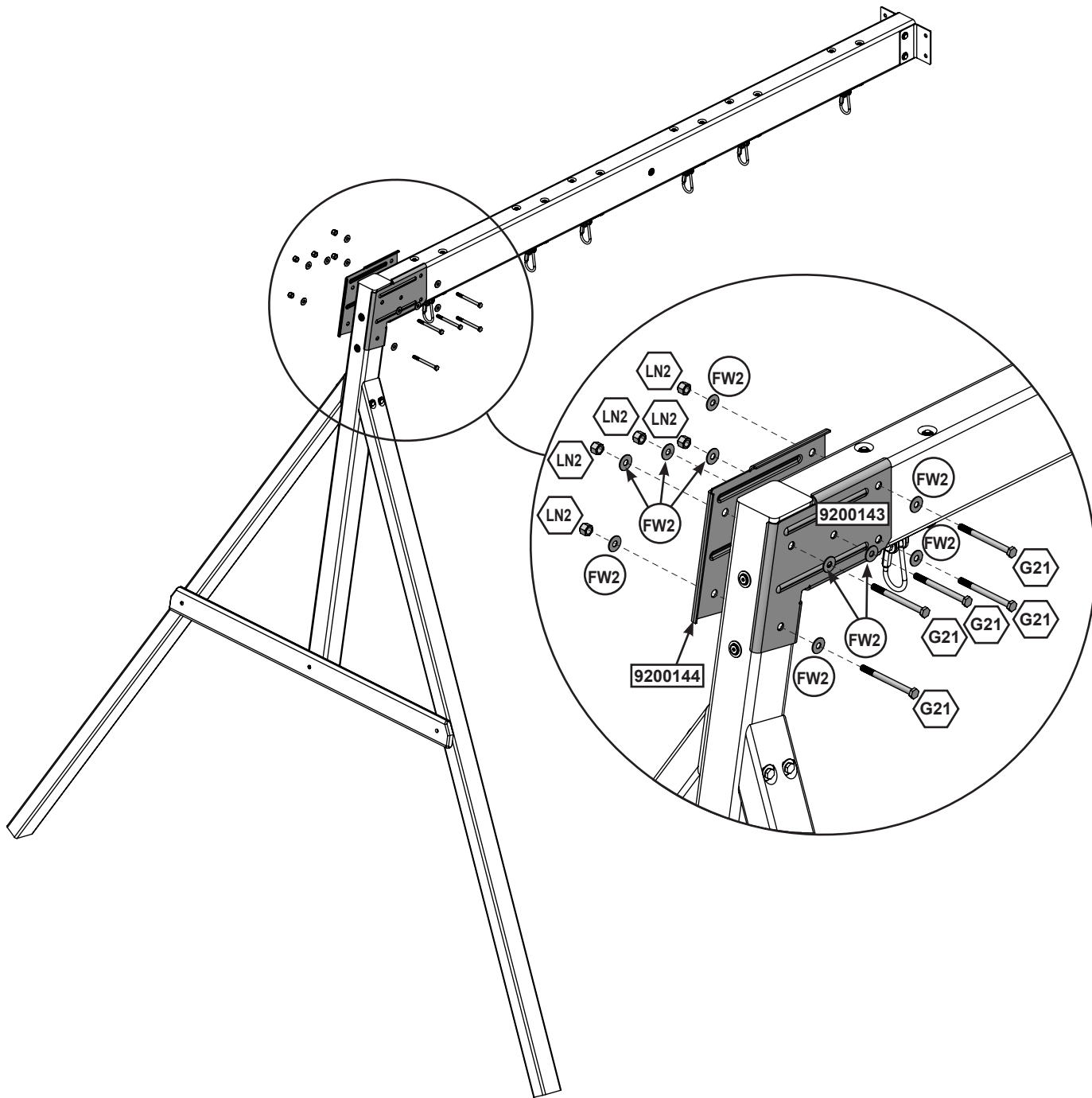
**Wood Parts**

1 x **2616** 23.8 x 82.6 x 1181.1mm (15/16" x 3-1/4" x 46-1/2")


**Hardware**

3 x **G4** 7.9mm x 101.6mm (5/16 x 4") (LW2,FW2,TN2)

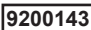
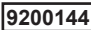
2 x **WB7** 7.9mm x 76.2mm (5/16 x 3") (LW2,FW2,TN2)



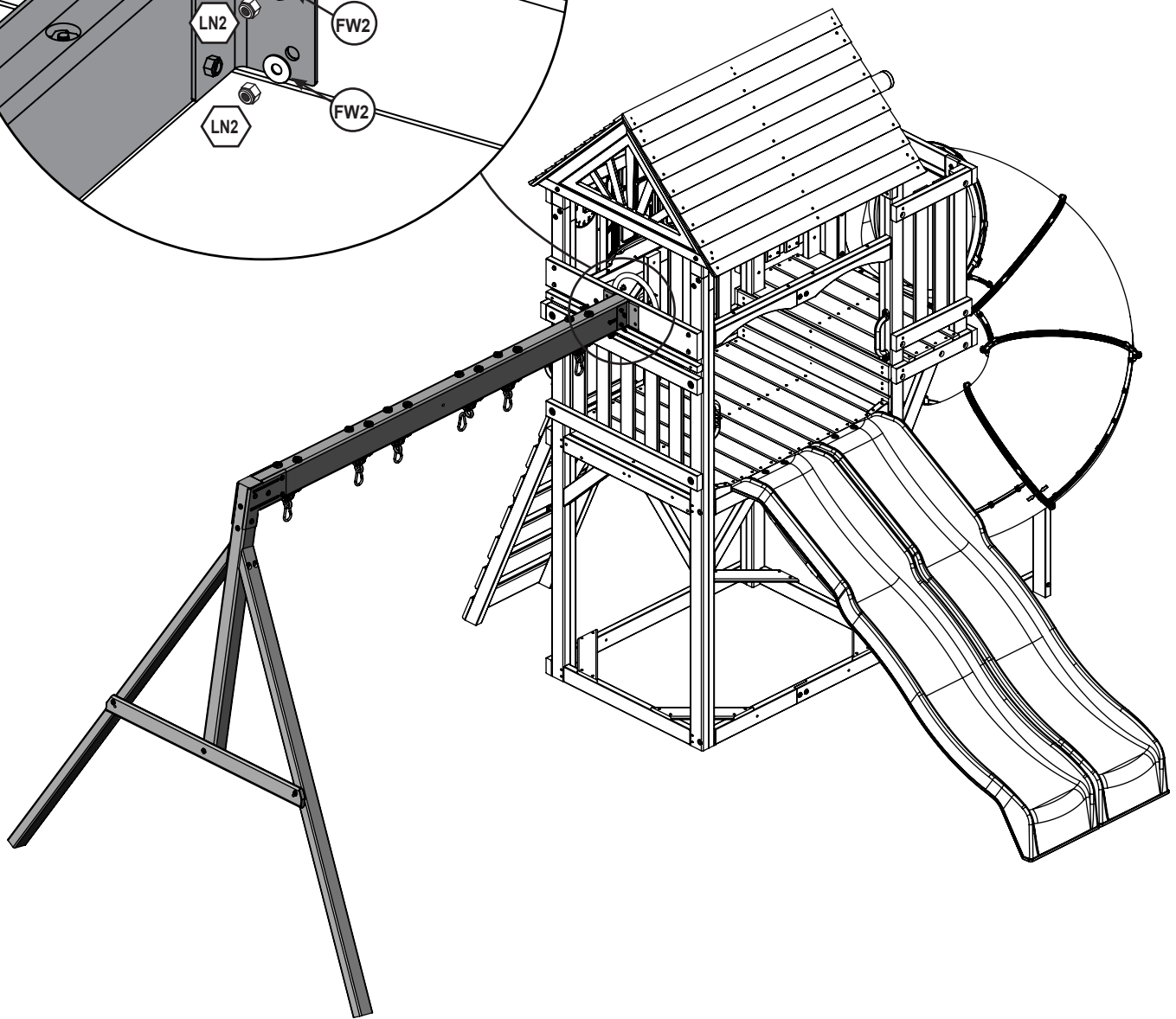
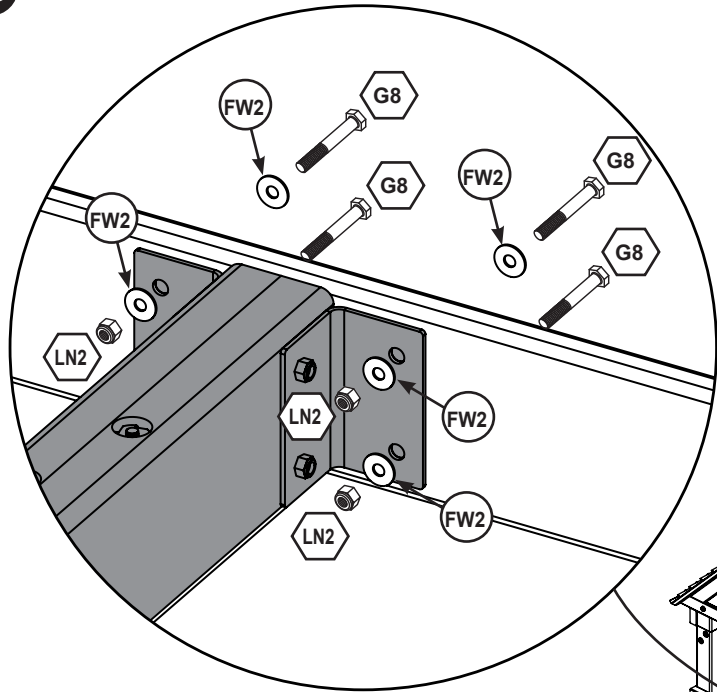
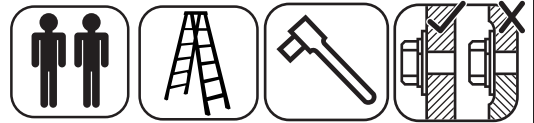
**Hardware**

5 x  7.9mm x 95 mm (5/16 x 3-3/4") ( LN2, 2 x FW2)

**Other Parts**

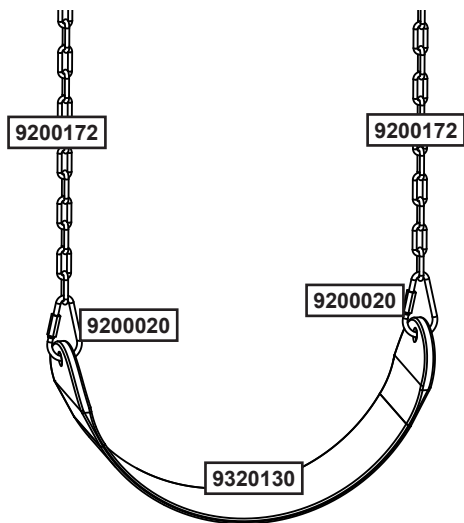
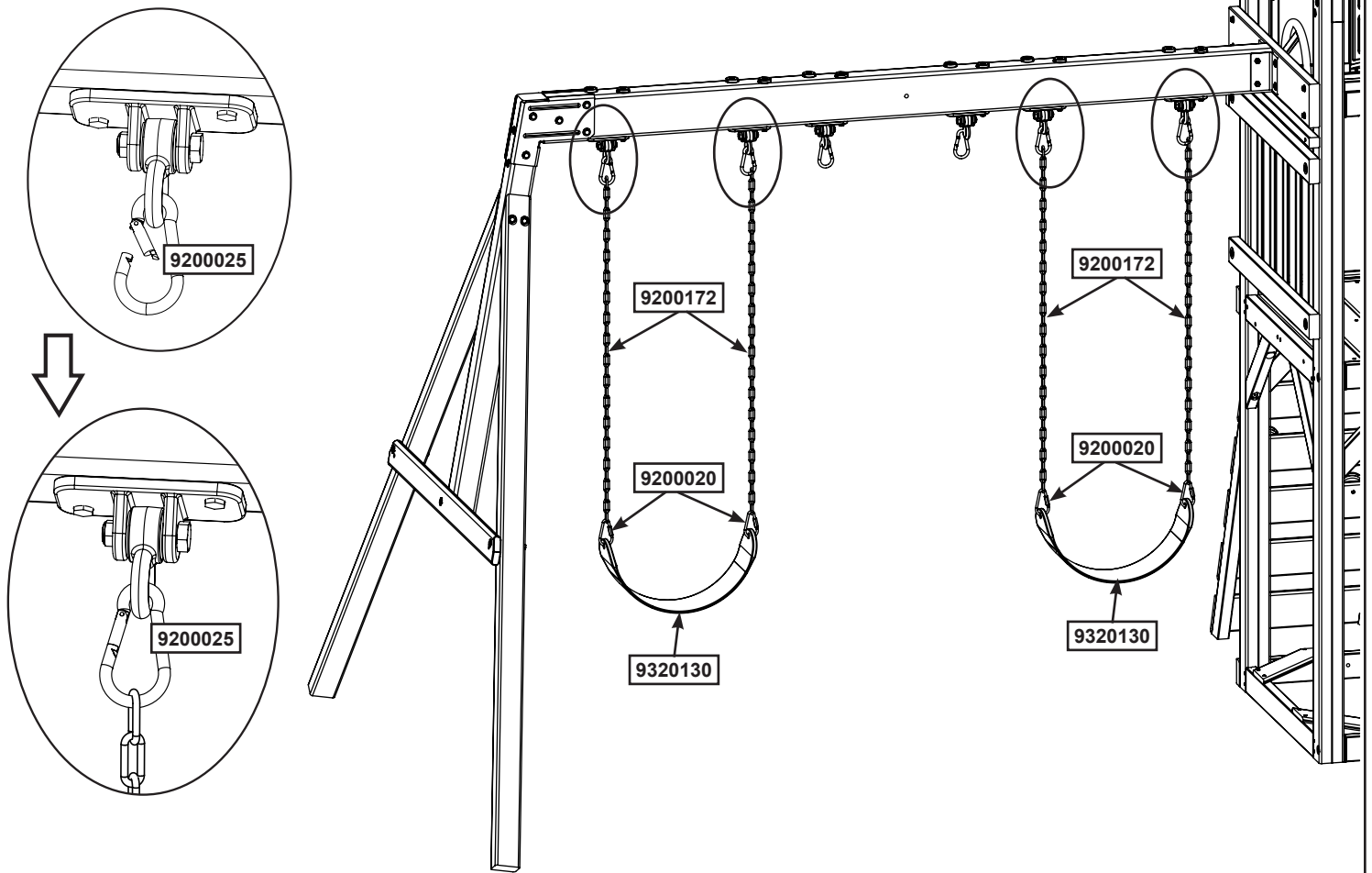
- 1 x  9200143
- 1 x  9200144



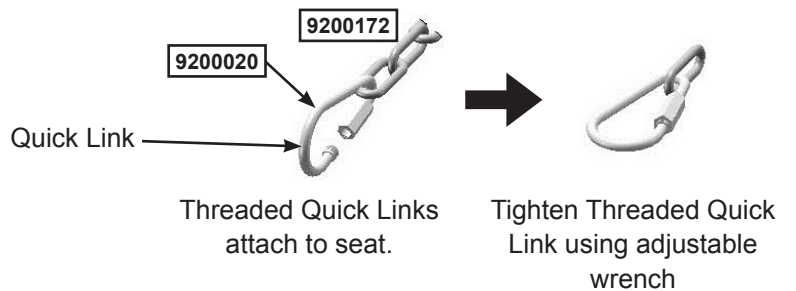


**Hardware**

4 x  7.9mm x 50.8 mm (5/16 x 2") ( LN2, 2 x FW2)



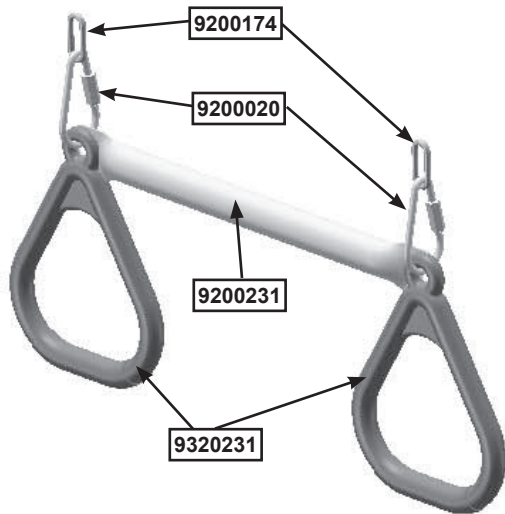
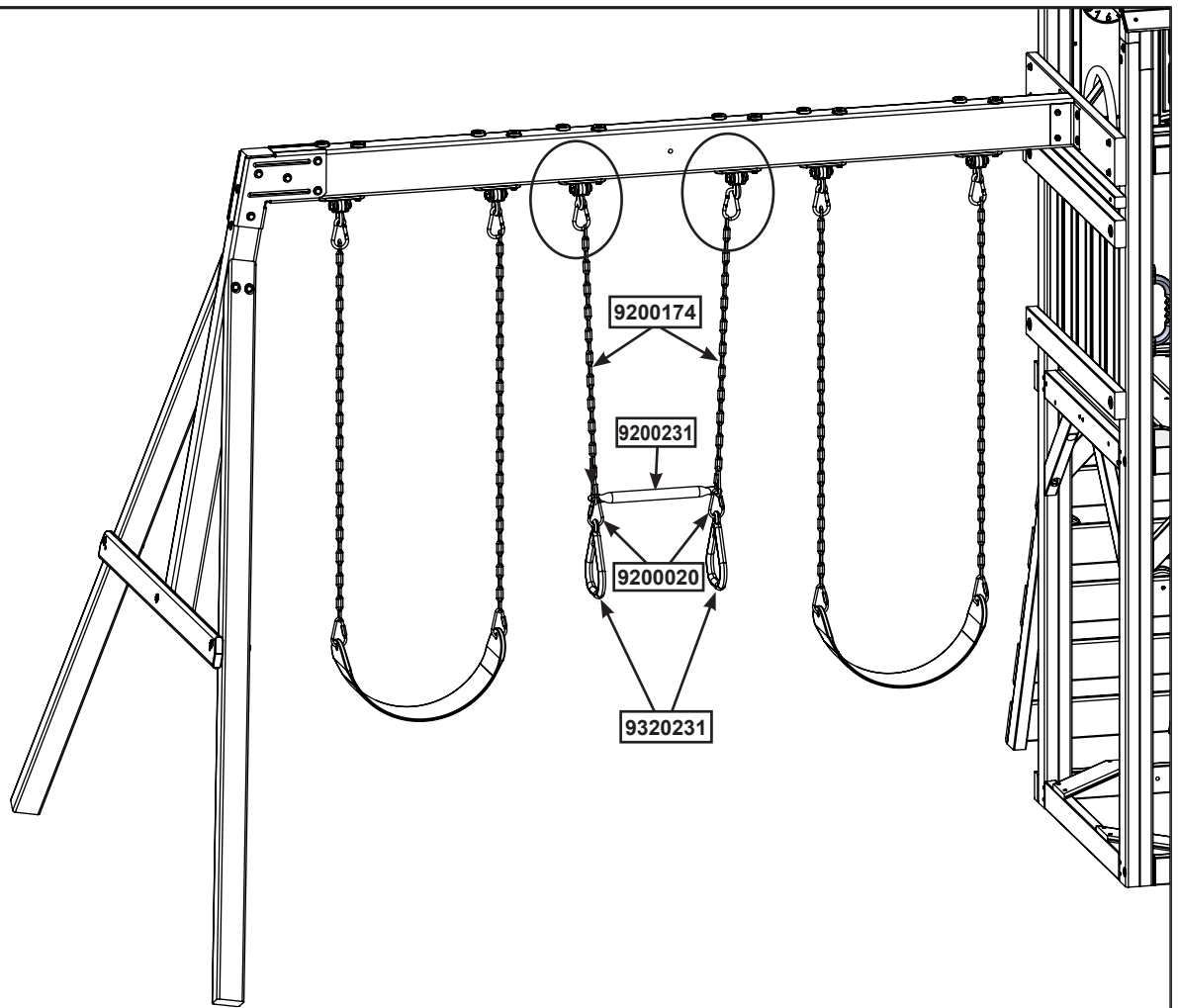
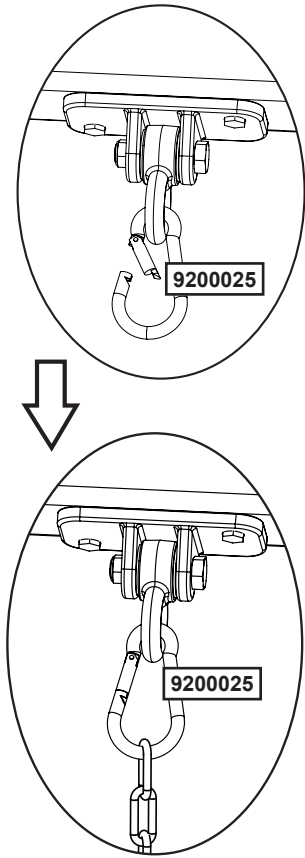
**Caution:** Threaded Quick Links must be installed with the gate completely down covering the threads and tighten as instructed.



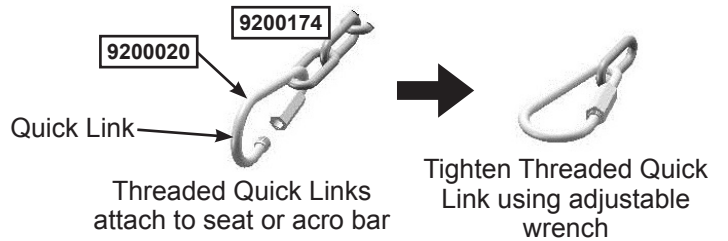
**Other Parts**

- 4 x 9200020
- 2 x 9320130
- 4 x 9200172





**Caution:** Threaded Quick Links must be installed with the gate completely down covering the threads and tighten as instructed.



**Autres pièces**

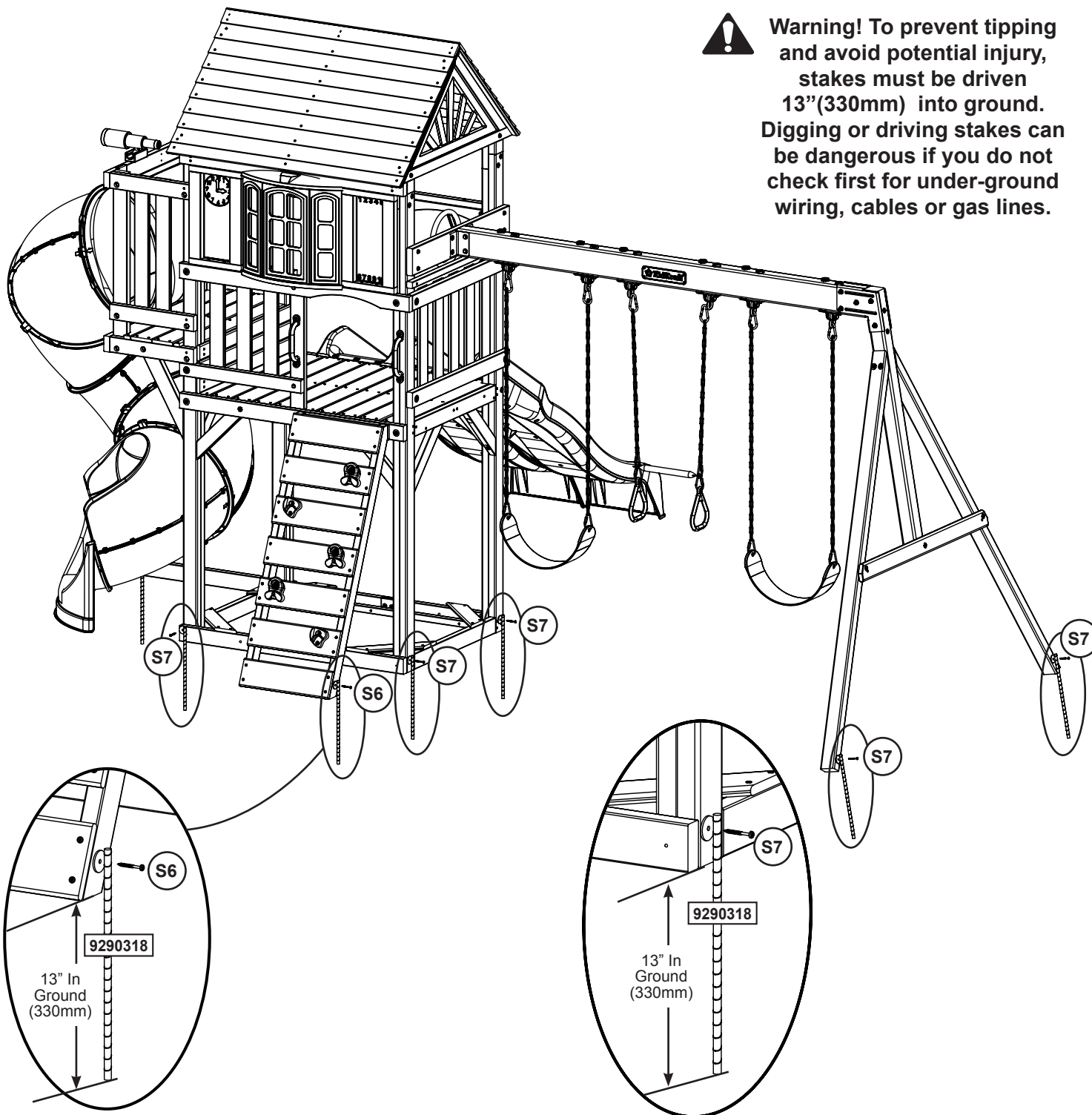
- 2 x 9200174    2 x 9320231
- 2 x 9200020    1 x 9200231





SEE FRONT COVER FOR SAFETY CLEARANCE




**Warning!** To prevent tipping and avoid potential injury, stakes must be driven 13" (330mm) into ground. Digging or driving stakes can be dangerous if you do not check first for under-ground wiring, cables or gas lines.



**Hardware**

- 5 x  #12 x 50.8 mm (#12 x 2")
- 1 x  #12 x 25.4mm (#12 x 1")

**Other Parts**

- 6 x 

europecustomerservice@kidkraft.com  
 +31 20 305 8620  
 M-F from 09:00 to 17:30 (GMT+1)

parts.kidkraft.eu





# ATTACH THIS WARNING & I.D. PLAQUE TO THIS LOCATION ON YOUR PLAY EQUIPMENT!

This provides warnings concerning safety and important contact information. A Tracking Number is provided to allow you to get critical information or order replacement parts for this specific model.

**⚠ WARNING**  
**⚠ AVERTISSEMENT**

**CONTINUOUS ADULT SUPERVISION REQUIRED!**

**STRANGULATION HAZARDS**  
**Never** allow children to play with ropes, clotheslines, pet leashes, cables, chains or cord-like items when using this playset or to attach these items to play-set.  
**Never** allow children to wear loose fitting clothing, ponchos, hoods, scarves, capes, necklaces, or items with draw-strings, cords or ties when using this play-set.  
**Never** allow children to wear bike or sport helmets when using this play-set.  
 Failure to prohibit these items increases the risk of serious injury and death to children from entanglement and strangulation.

**SERIOUS HEAD INJURY HAZARD**  
 Maintain shock absorbing material under and around play-set as recommended in the Installation & Operating Instructions. Installation over concrete, asphalt, dirt, grass, carpet and other hard surfaces creates a risk of serious injury or death from falls to the ground.

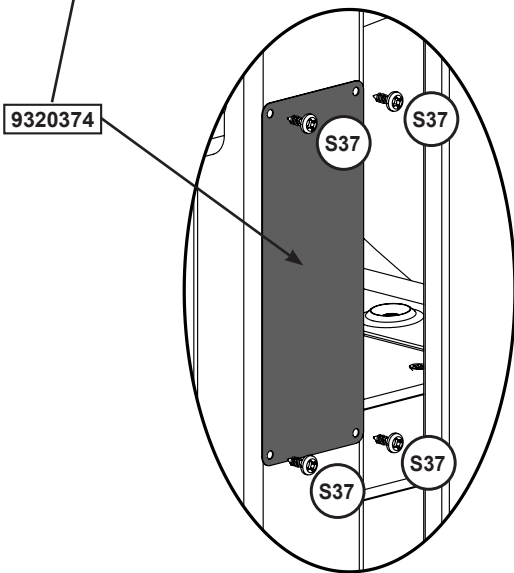
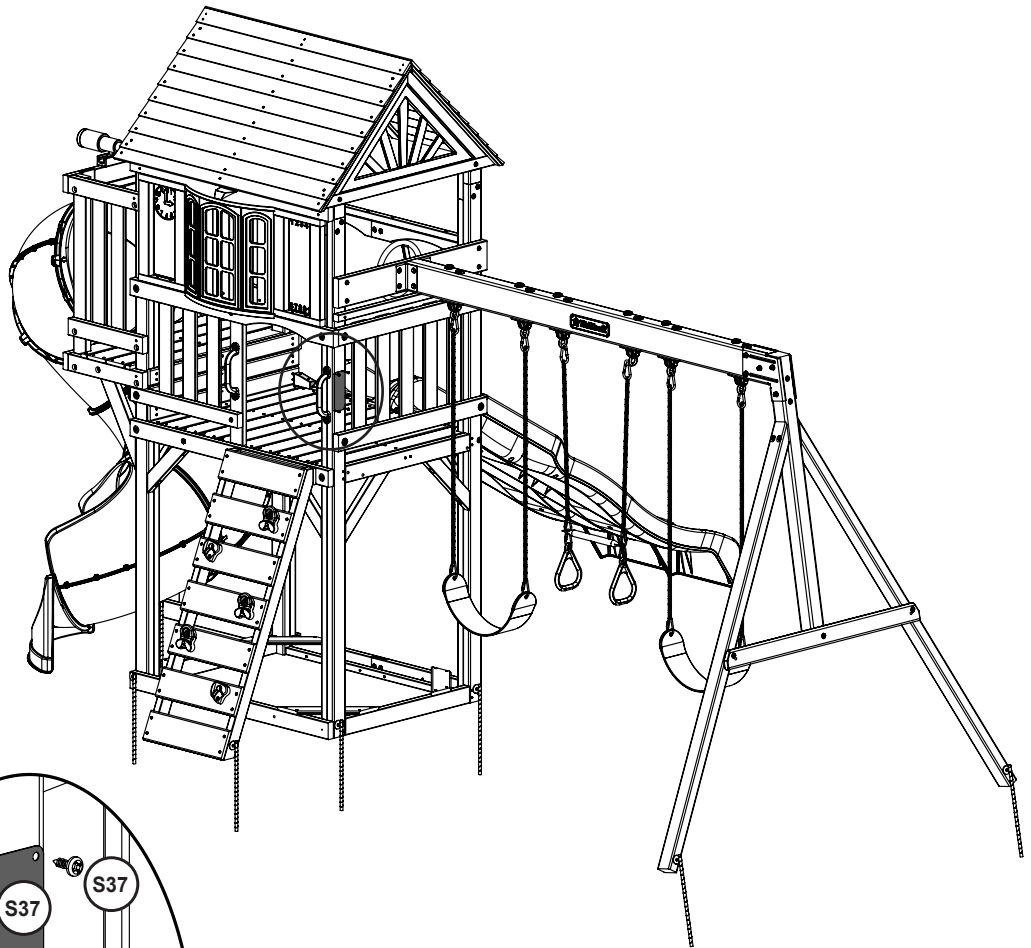
**SURVEILLANCE CONSTANTE D'ADULTES EST REQUIS!**

**Risques D'étranglement**  
**Ne jamais** laisser les enfants jouer avec des cordes, cordes à linge, laisses pour animaux, des câbles, des chaînes ou ces type articles pendant de l'utilisation de cet portique de jeu ou à l'attaché de ces éléments à la portique de jeu.  
**Ne jamais** laissez les enfants de porter des vêtements amples, des ponchos, des hottes, des foulards, capes, des colliers ou des articles avec cordes attient ou les cordons pendant l'utilisation de cet portique de jeu.  
**Ne jamais** laissez les enfants porter un casque de vélo ou de sport quand ils utilisent ce portique de jeu.  
 Défaut d'interdire ces éléments augmente le risque de blessures graves et de décès des enfants de enchevêtrement et d'étranglement.

**RISQUE DE BLESSURES GRAVES DU TÊTE**  
 Maintenir le matériau absorbant les chocs sous et autour de la portique de jeu comme recommandé dans les instructions d'installation. Installation sur béton, de l'asphalte, sol, de l'herbe, tapis et autres surfaces dure crée un risque de blessure à la tête graves ou la mort causé par tomber à la sol.

THIS PRODUCT IS INTENDED FOR USE BY CHILDREN FROM AGES 3 TO 10; weight limit of 110 lbs. per child. Maximum number of users, Installation & Operating Instructions, other information is available at:  
 POUR LES ENFANTS DE 3 À 10 ANS D'ÂGE; limite de 110 Livres par enfant. Nombre maximum d'utilisateurs, installation et d'utilisation; d'autres informations sont disponibles sur:  
[www.KidKraft.com](http://www.KidKraft.com)  
 Contact us at: KidKraft  
 Dallas, TX 75244 USA  
 1-800-933-0771

Tracking Number:  
 Numéro de Suivi:



**Hardware**  
 4 x S37 #7 x 16 mm (#7 x 5/8")

**Other Parts**  
 1 x 9320374





# 3 EASY WAYS TO REGISTER YOUR PRODUCT 24/7

- 1) Scan this QR Code with your smart phone to complete your product registration directly from your phone:
- 2) Complete the registration online at: [https://www.kidkraft.com/us\\_en/warranty/](https://www.kidkraft.com/us_en/warranty/)
- 3) Mail this completed form to: KidKraft Inc., 4630 Olin Road, Dallas, Tx 75244 USA  
Make sure to include a copy of your proof of purchase



## KIDKRAFT Consumer Registration Card

First Name  Initial  Last Name

Street  Apt. No.

City  State/Province  ZIP/Postal Code

Country  Telephone Number

E-Mail Address

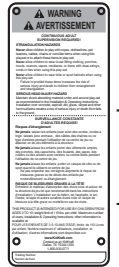
Model Number  Model Name

Model Number & Name example  
F24145 AINSLEY PLAY SYSTEM

Purchased From  Date Purchase

MM / DD / YY

Serial Number (on ID Plaque)



ID Plaque example

Box #: \_\_\_\_\_ 1 of \_\_\_\_\_ Box #: \_\_\_\_\_ 4 of \_\_\_\_\_

Box #: \_\_\_\_\_ 2 of \_\_\_\_\_ Box #: \_\_\_\_\_ 5 of \_\_\_\_\_

Box #: \_\_\_\_\_ 3 of \_\_\_\_\_ Box #: \_\_\_\_\_ 6 of \_\_\_\_\_

Box # (Ex: B29410 1of 6)

**1** OF **6**  
DE

ITEM #  
ARTICLE N°  
DE ARTICULO  
**B29410**

For common questions or for information on ordering replacement parts:

Help Center: <https://kidkraft.zendesk.com/hc/en-us/>

