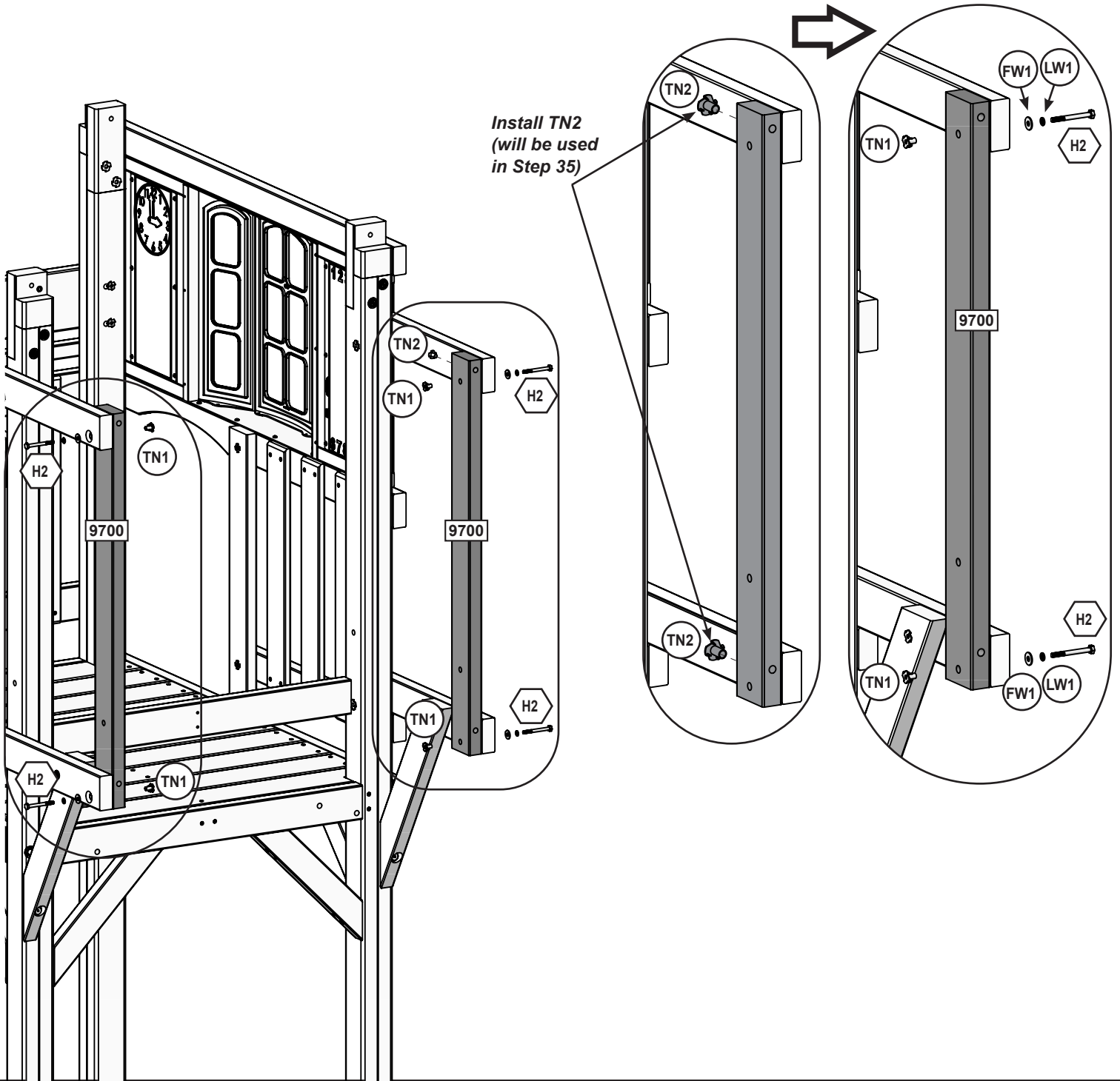


Assemble T-Nuts first with hammer!



Wood Parts

2 x 9700 31.8 x 76.2 x 876.3 mm (1-1/4" x 3" x 34-1/2")

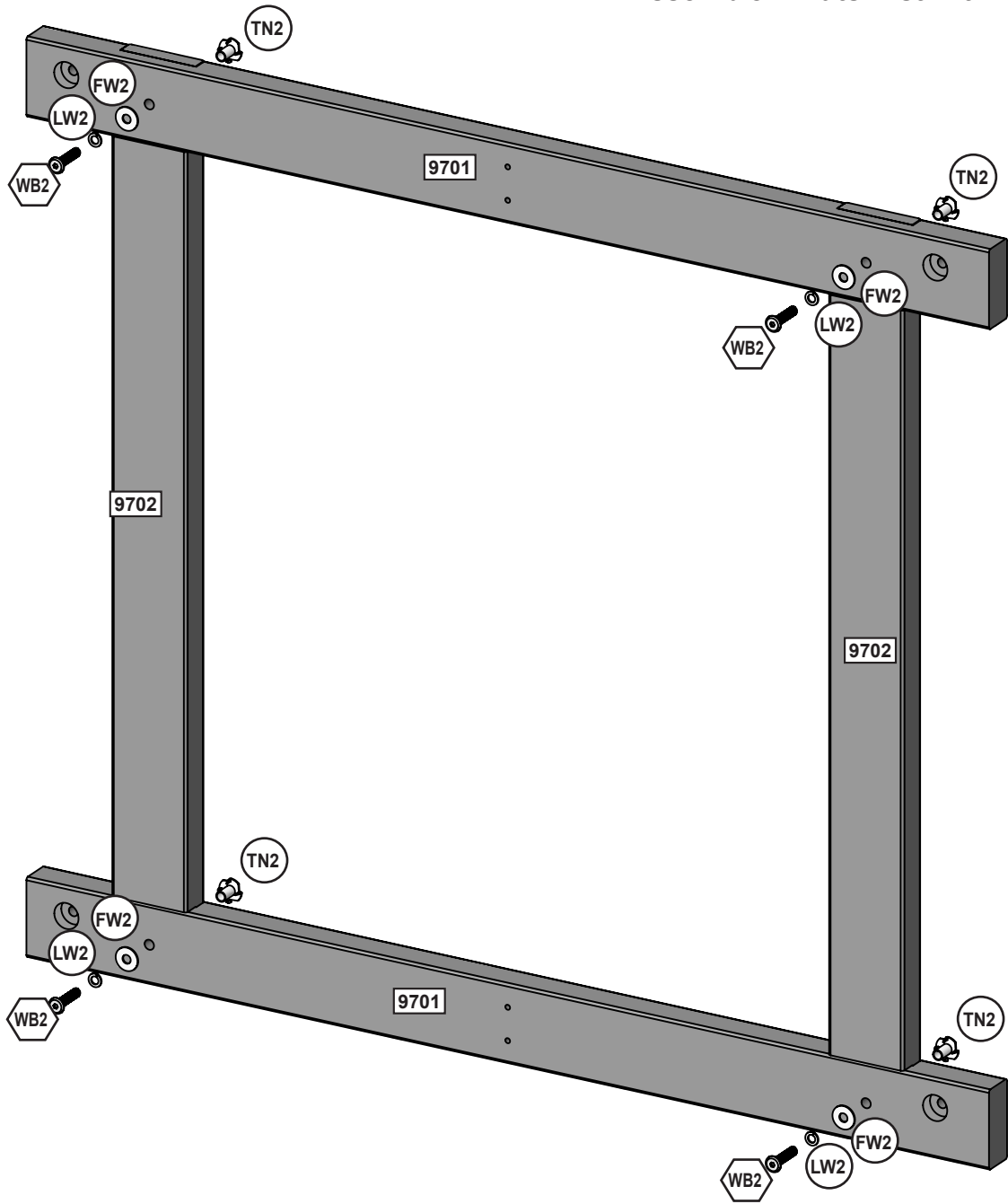
Hardware

4 x H2 6.4mm x 50.8 mm (1/4 x 2") (LW1,FW1,TN1)

4 x TN2 7.9 mm (5/16")



Assemble T-Nuts first with hammer!



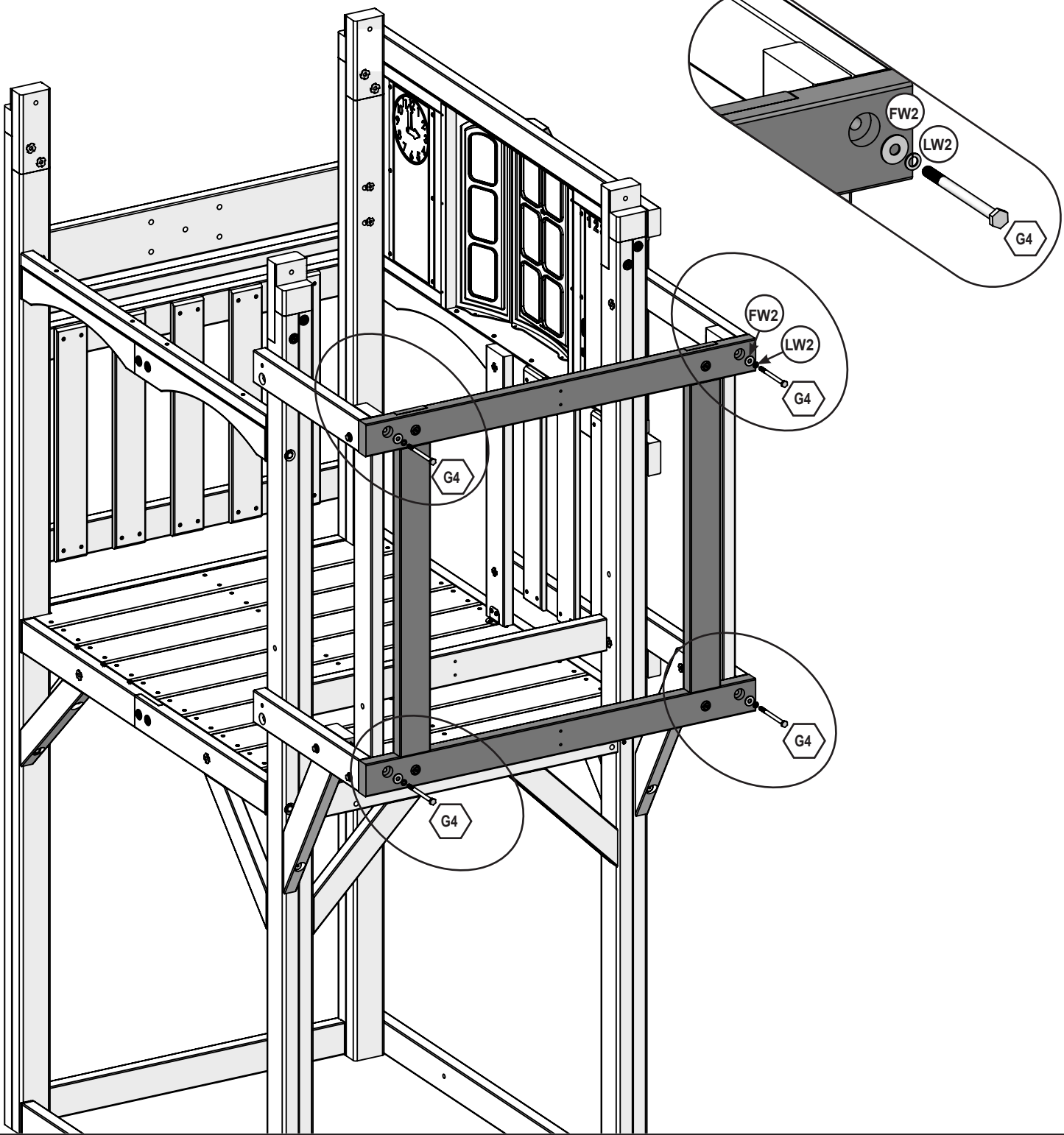
Wood Parts

- 2 x 31.8 x 76.2 x 977.9 mm (1-1/4" x 3" x 38-1/2")
- 2 x 31.8 x 76.2 x 876.3 mm (1-1/4" x 3" x 34-1/2")

Hardware

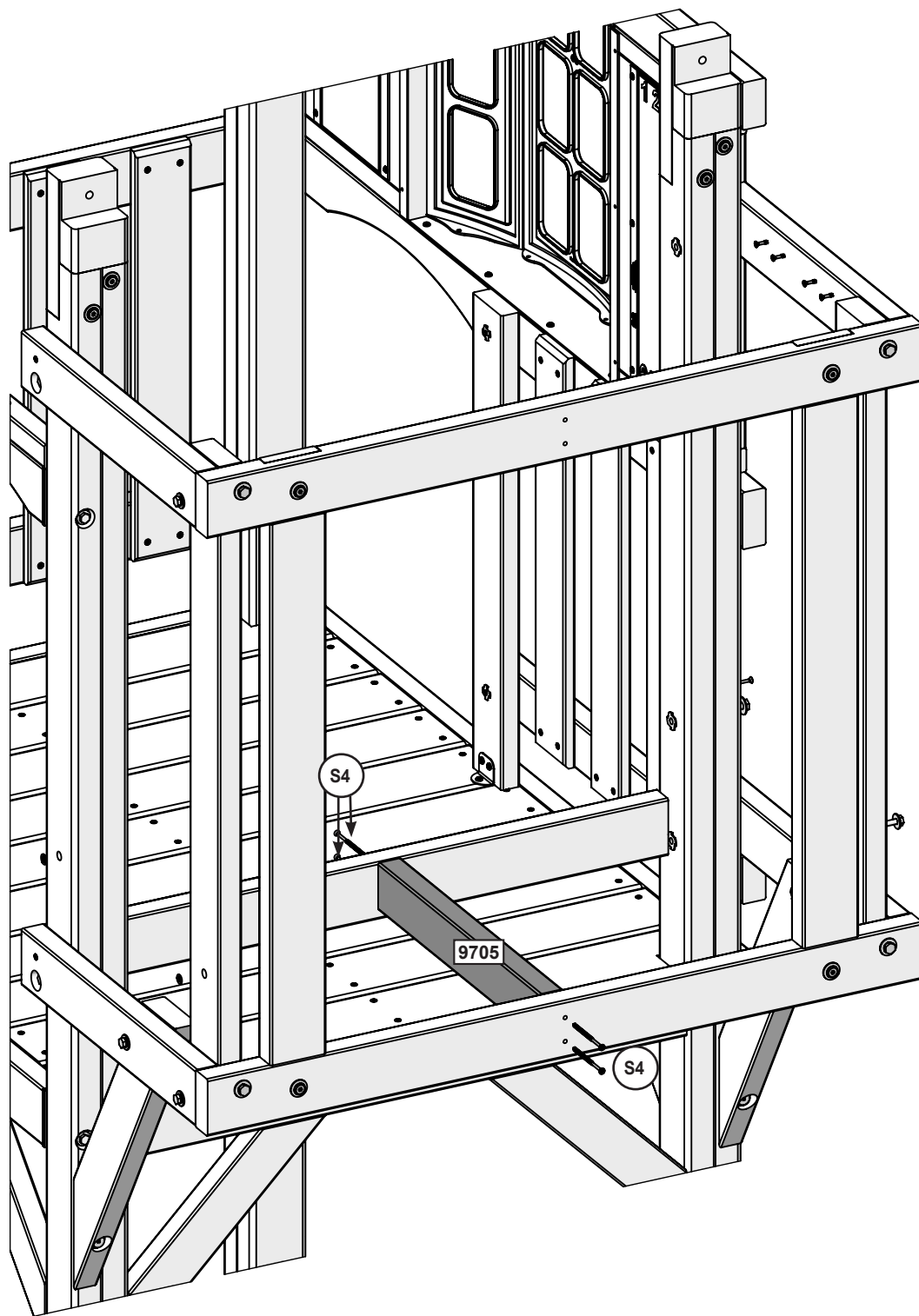
- 4 x 7.9mm x 35 mm (5/16 x 1-3/8")(FW2, LW2, TN2)





Hardware

4 x  7.9mm x 101.6mm (5/16 x 4") (LW2,FW2)



Wood Parts

1 x **9705** 31.8 x 63.5 x 424.4 mm (1-1/4" x 2 1/2" x 16-11/16")

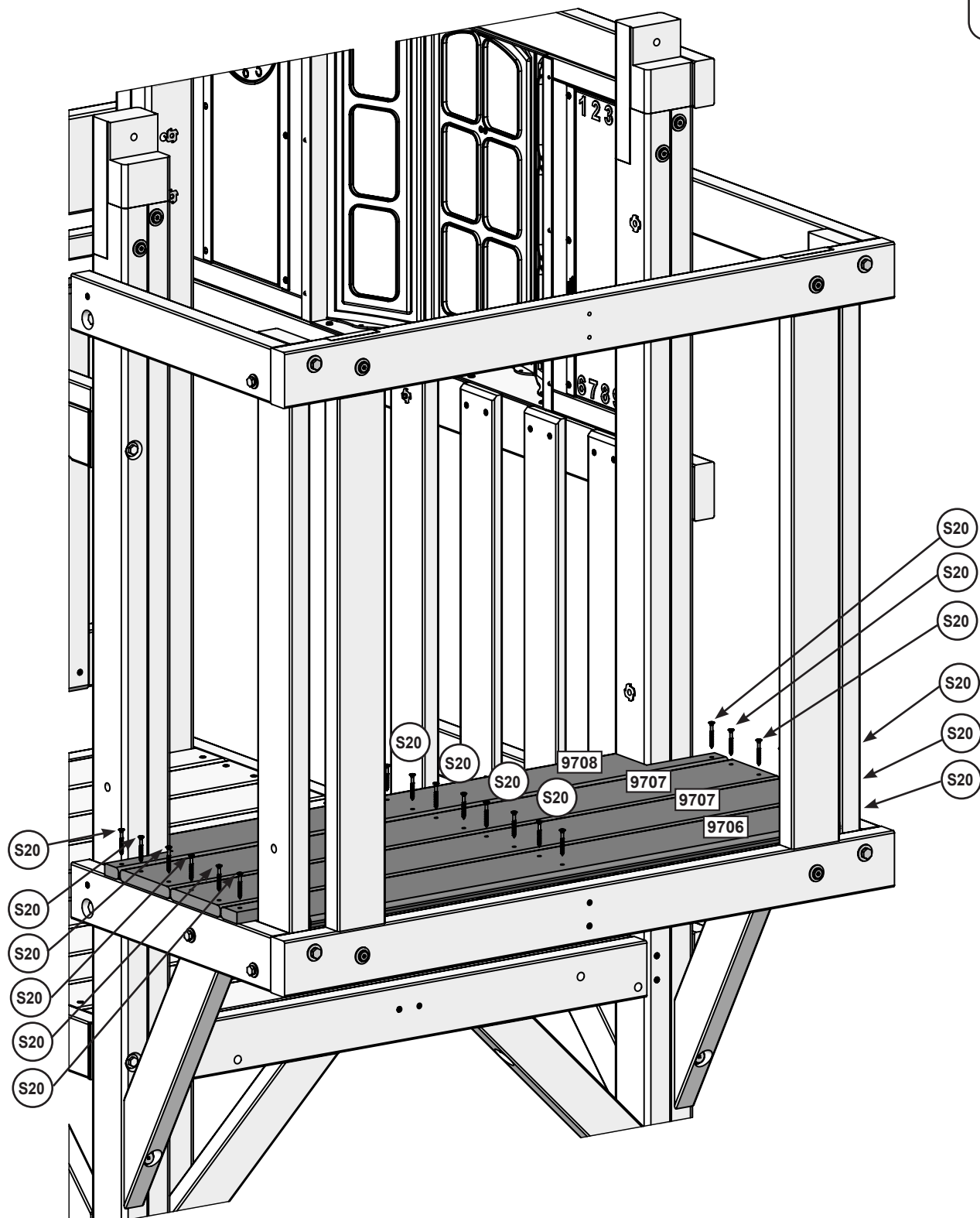
Hardware

4 x **S4** #8 x 76.2mm (#8 x 3")

europcustomerservice@kidkraft.com
+31 20 305 8620
M-F from 09:00 to 17:30 (GMT+1)

parts.kidkraft.eu



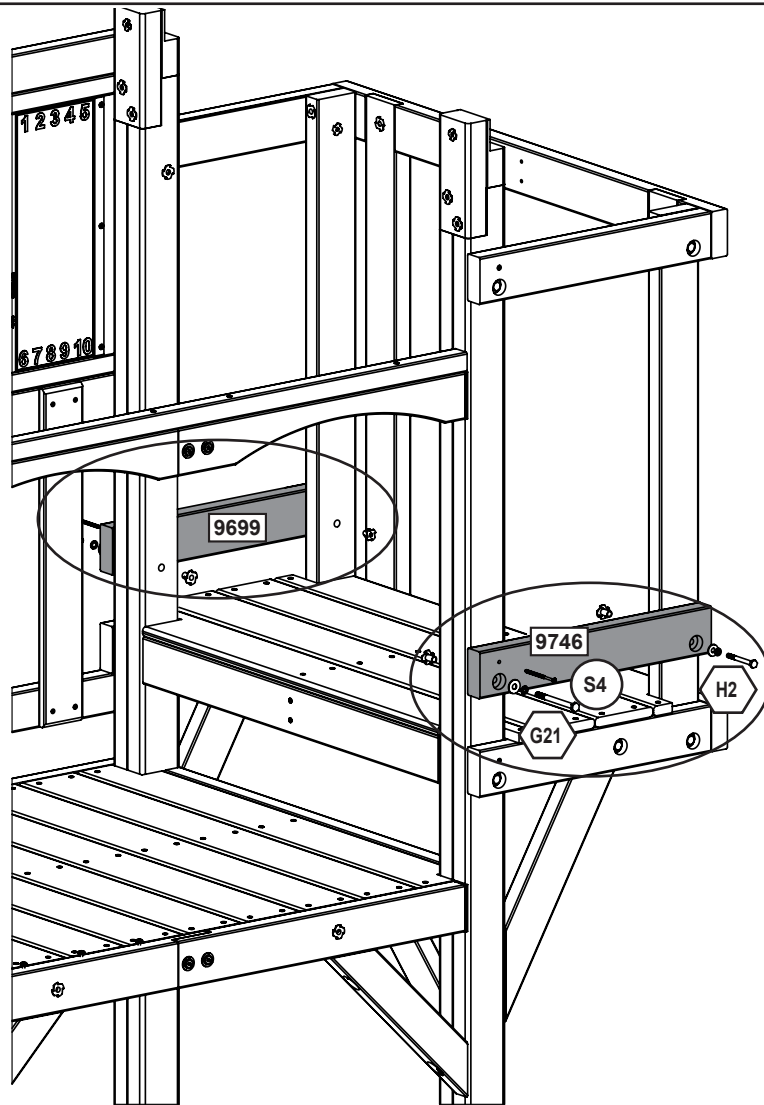


Wood Parts

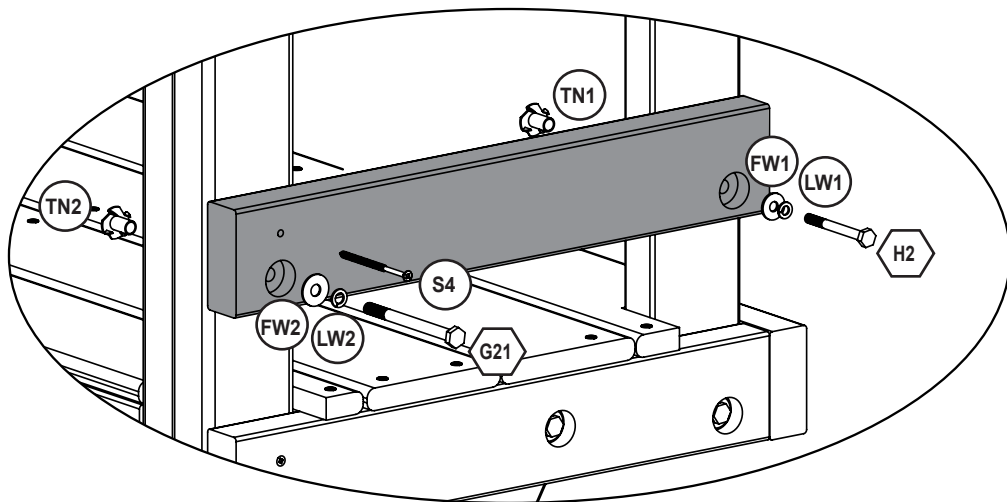
- 1 x **9706** 15.9 x 114.3 x 977.9 mm (5/8" x 4-1/2" x 38-1/2")
- 2 x **9707** 15.9 x 114.3 x 977.9 mm (5/8" x 4-1/2" x 38-1/2")
- 1 x **9708** 15.9 x 109.0 x 977.9 mm (5/8" x 4-5/16" x 38-1/2")

Hardware

- 24 x **S20** #8 x 35mm (#8 x 1-3/8")



Assemble T-Nuts first with hammer!



Wood Parts

- 1 x 9746 31.8 x 76.2 x 457.2 mm (1-1/4" x 3" x 18")
- 1 x 9699 31.8 x 76.2 x 457.2 mm (1-1/4" x 3" x 18")

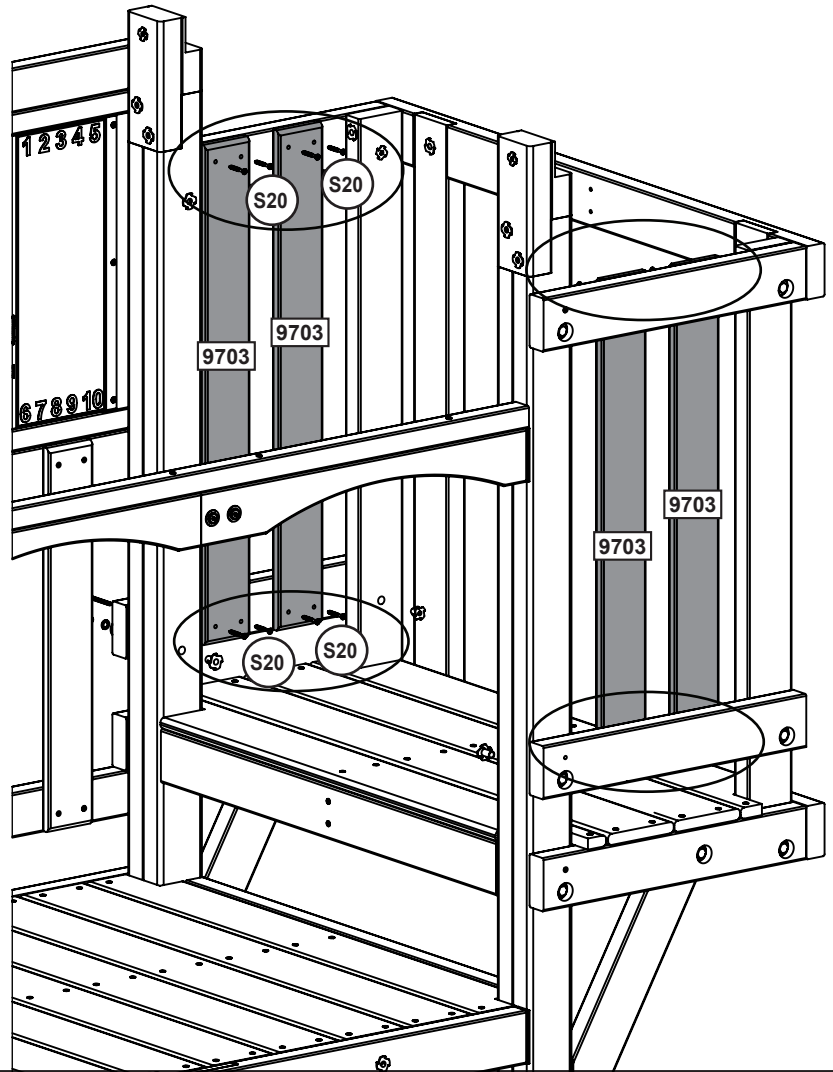
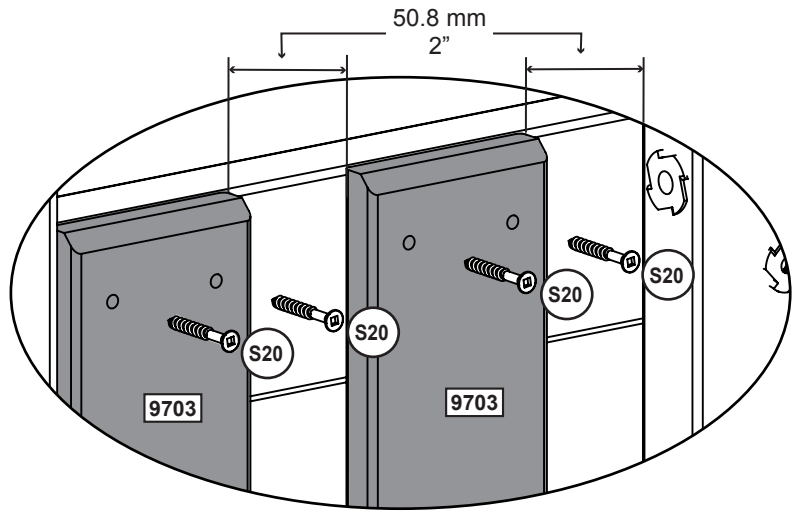
Hardware

- 2 x H2 6.4mm x 50.8 mm (1/4 x 2") (LW1,FW1,TN1)
- 2 x G21 7.9mm x 95 mm (5/16 x 3-3/4") (LW2, FW2, TN2)
- 2 x S4 #8 x 76.2mm (#8 x 3")

europecustomerservice@kidkraft.com
 +31 20 305 8620
 M-F from 09:00 to 17:30 (GMT+1)

parts.kidkraft.eu





Wood Parts

4 x 9703 15.9 x 76.2 x 715.1 mm (5/8" x 3" x 28-1/8")

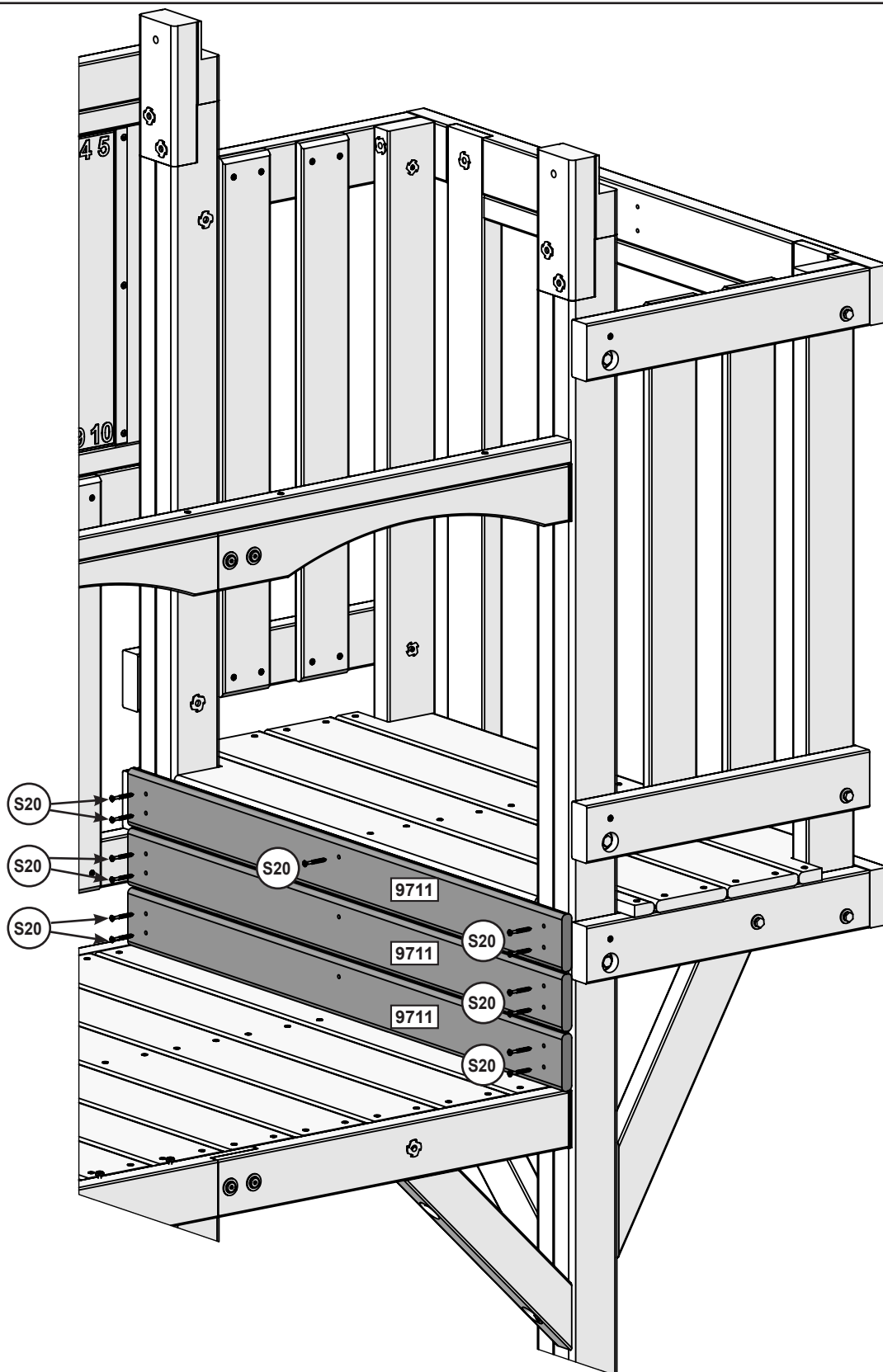
Hardware

16 x S20 #8 x 35mm (#8 x 1-3/8")



parts.kidkraft.com

customerservice@kidkraft.com
1.800.933.0771
972.385.0100



Wood Parts

3 x **9711** 15.9 x 76.2 x 914.4 mm (5/8" x 3" x 36")

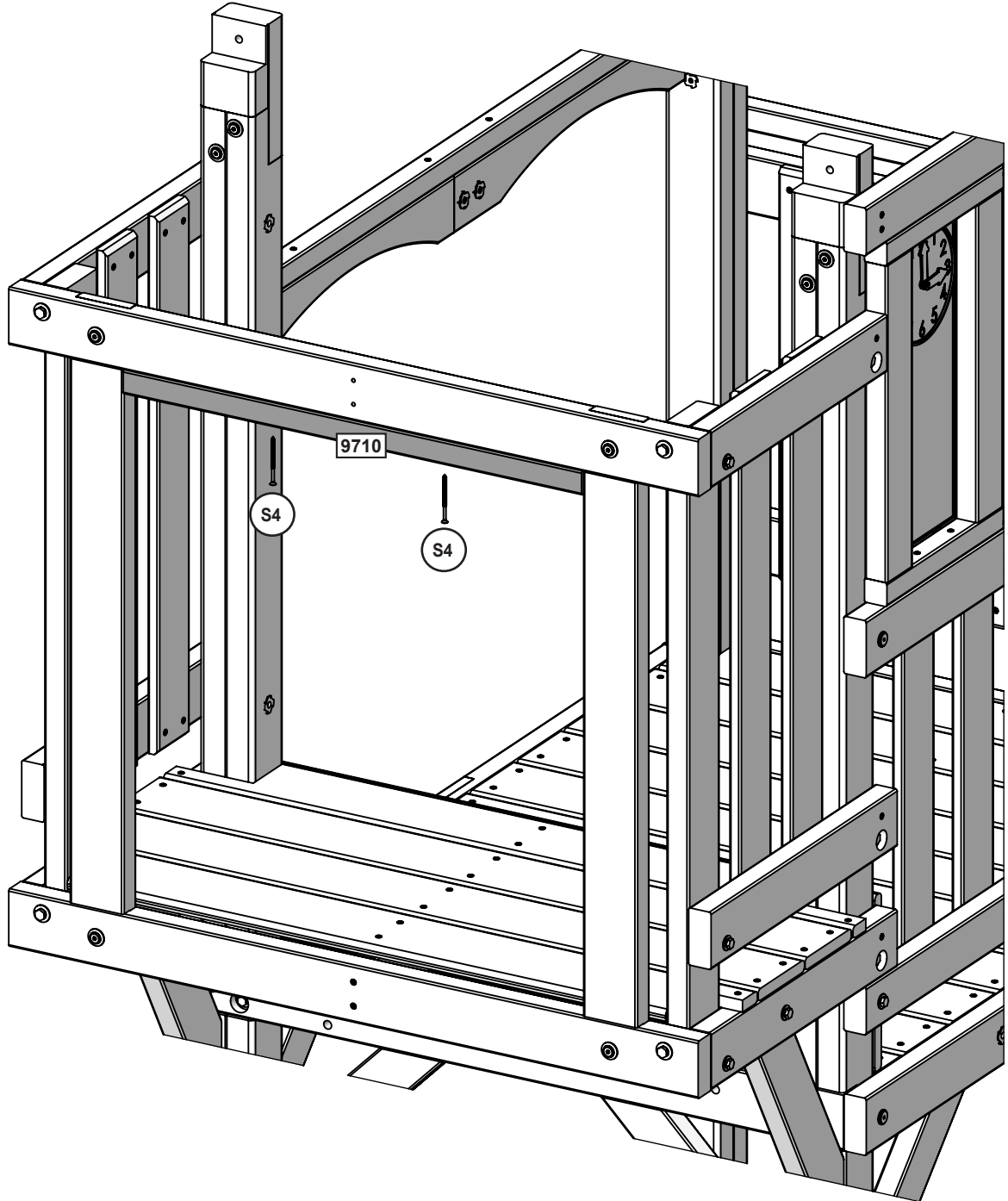
Hardware

13 x **S20** #8 x 35mm (#8 x 1-3/8")

europecustomerservice@kidkraft.com
 +31 20 305 8620
 M-F from 09:00 to 17:30 (GMT+1)

parts.kidkraft.eu





Wood Parts

1 x **9710** 31.8 x 31.8 x 650.0 mm (1-1/4" X 1 1/4" X 25-9/16")

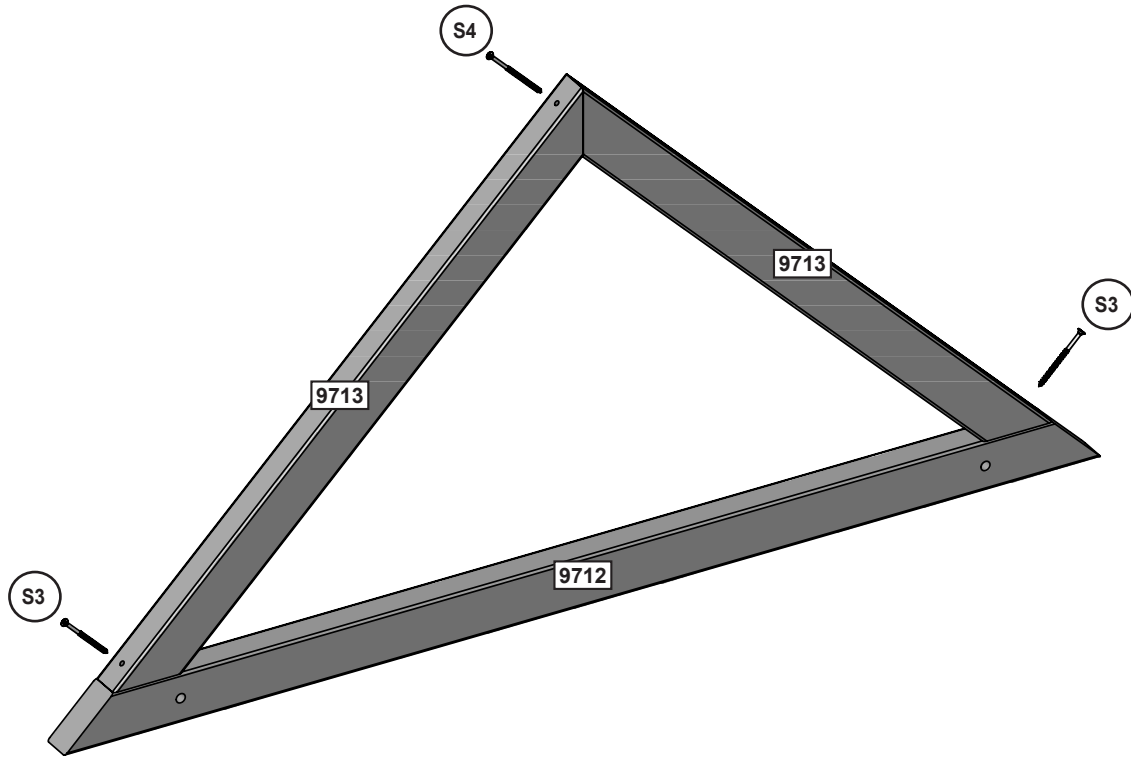
Hardware

2 x **S4** #8 x 76.2mm (#8 x 3")



parts.kidkraft.com

customerservice@kidkraft.com
1.800.933.0771
972.385.0100



Wood Parts

- 2 x 9712 31.8 x 50.8 x 1079.5 mm (1-1/4" x 2" x 42-1/2")
- 4 x 9713 31.8 x 50.8 x 691.1 mm (1-1/4" x 2" x 27-3/16")

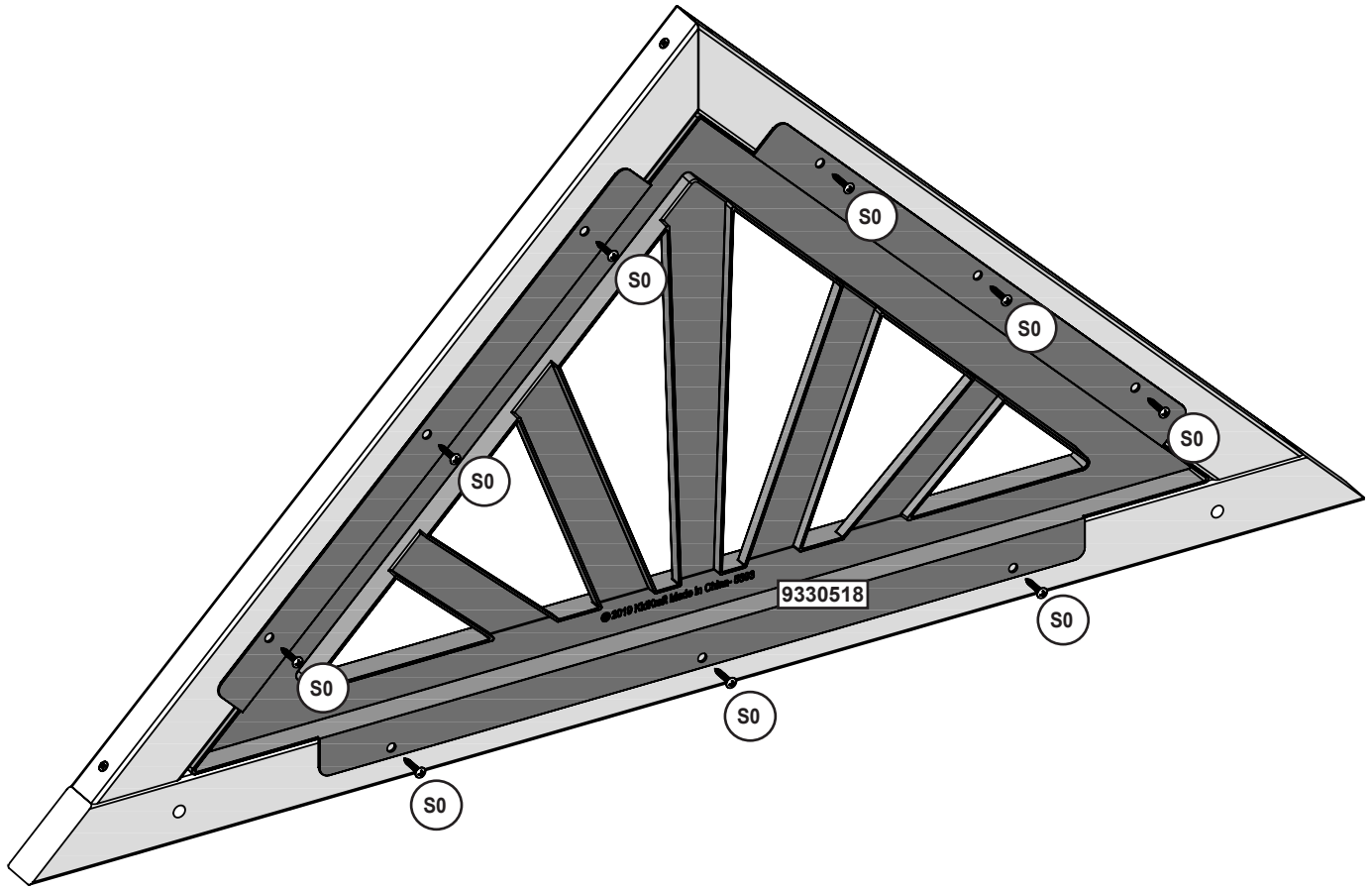
Hardware

- 4 x S3 #8 x 64mm (#8 x 2-1/2")
- 2 x S4 #8 x 76.2mm (#8 x 3")





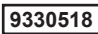
Complete this step twice

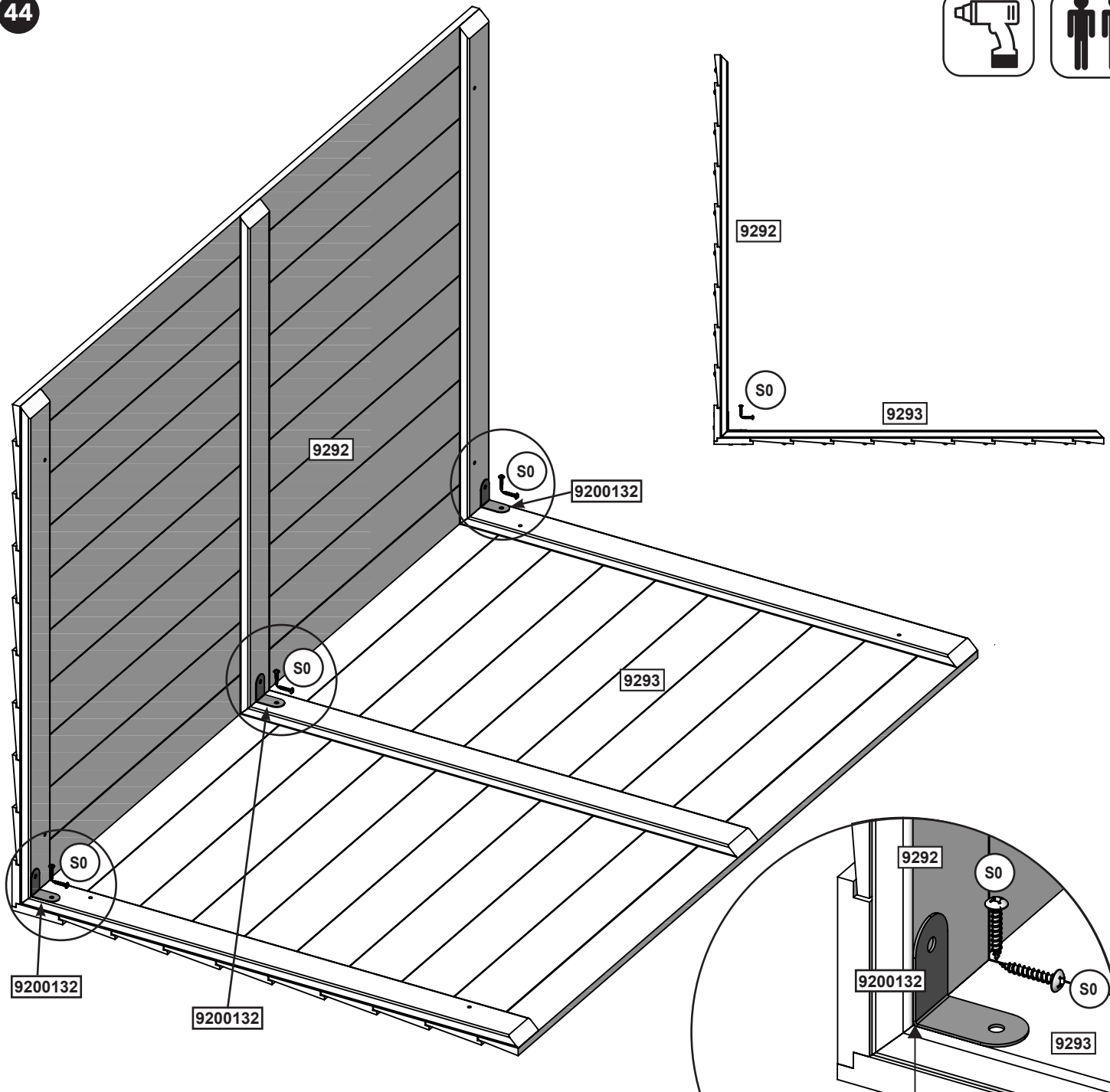


Hardware

18 x  #8 x 22.2mm (#8 x 7/8")

Other Parts

2 x 



Install 9200132 bracket flush to outside edge.

Wood Parts

- 1 x 9292 28.6 x 1270 x 801.7 mm (1-1/8" x 50" x 31-13/16")
- 1 x 9293 28.6 x 1270 x 801.7 mm (1-1/8" x 50" x 31-13/16")

Hardware

- 6 x S0 #8 x 22.2mm (#8 x 7/8")

Other Parts

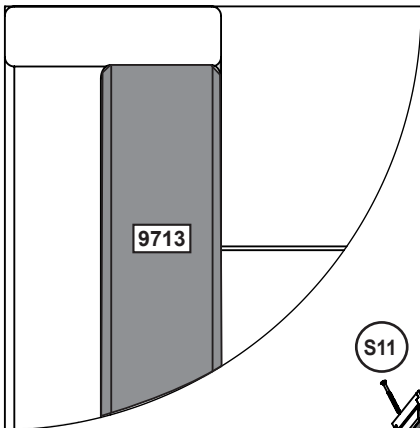
- 3 x 9200132

europecustomerservice@kidkraft.com
 +31 20 305 8620
 M-F from 09:00 to 17:30 (GMT+1)

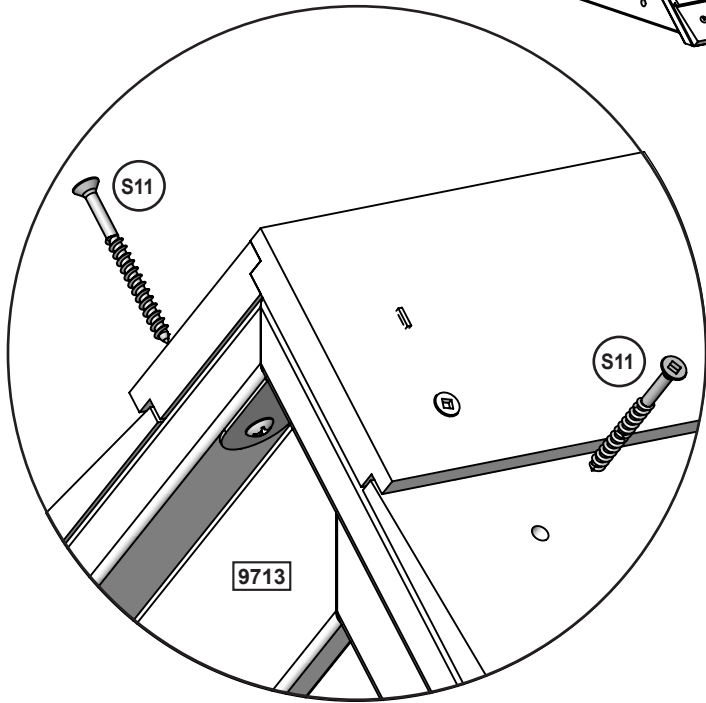
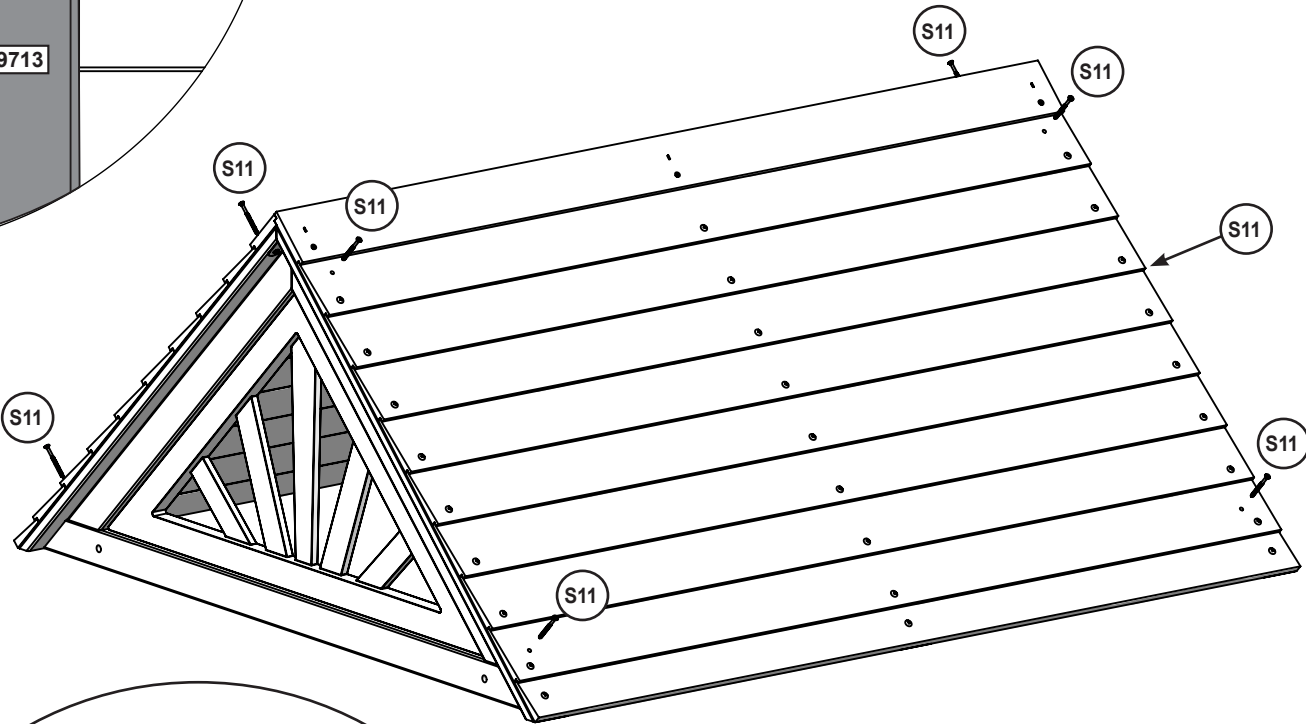
parts.kidkraft.eu



45



Gables should be flush to inside edges on both sides



Hardware

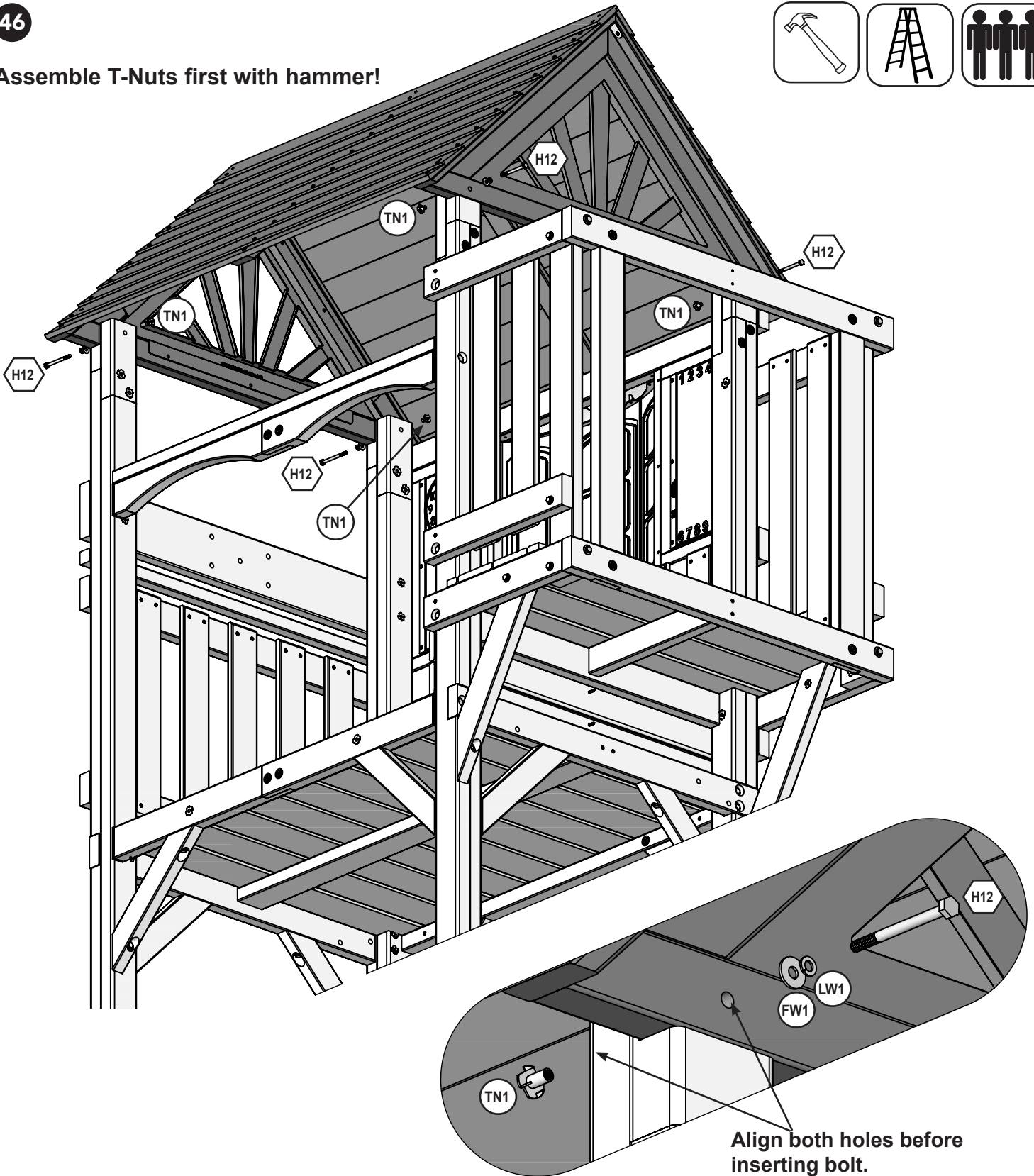
8 x (S11) #8 x 50.8mm (#8 x 2")



parts.kidkraft.com

customerservice@kidkraft.com
1.800.933.0771
972.385.0100

Assemble T-Nuts first with hammer!



Hardware

4 x 6.4mm x 76.2 mm (1/4 x 3") (FW1, LW1, TN1)

europecustomerservice@kidkraft.com
+31 20 305 8620
M-F from 09:00 to 17:30 (GMT+1)

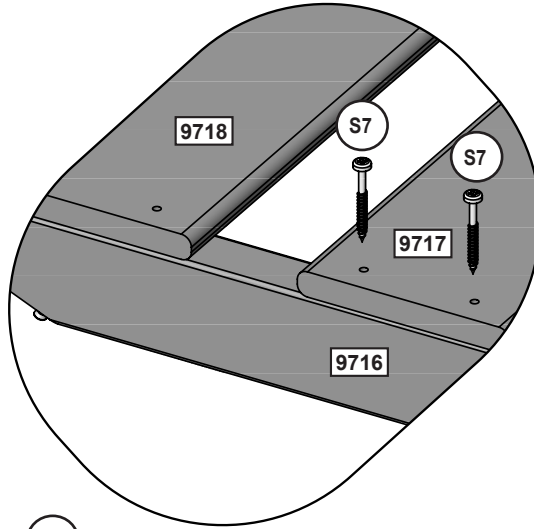
parts.kidkraft.eu



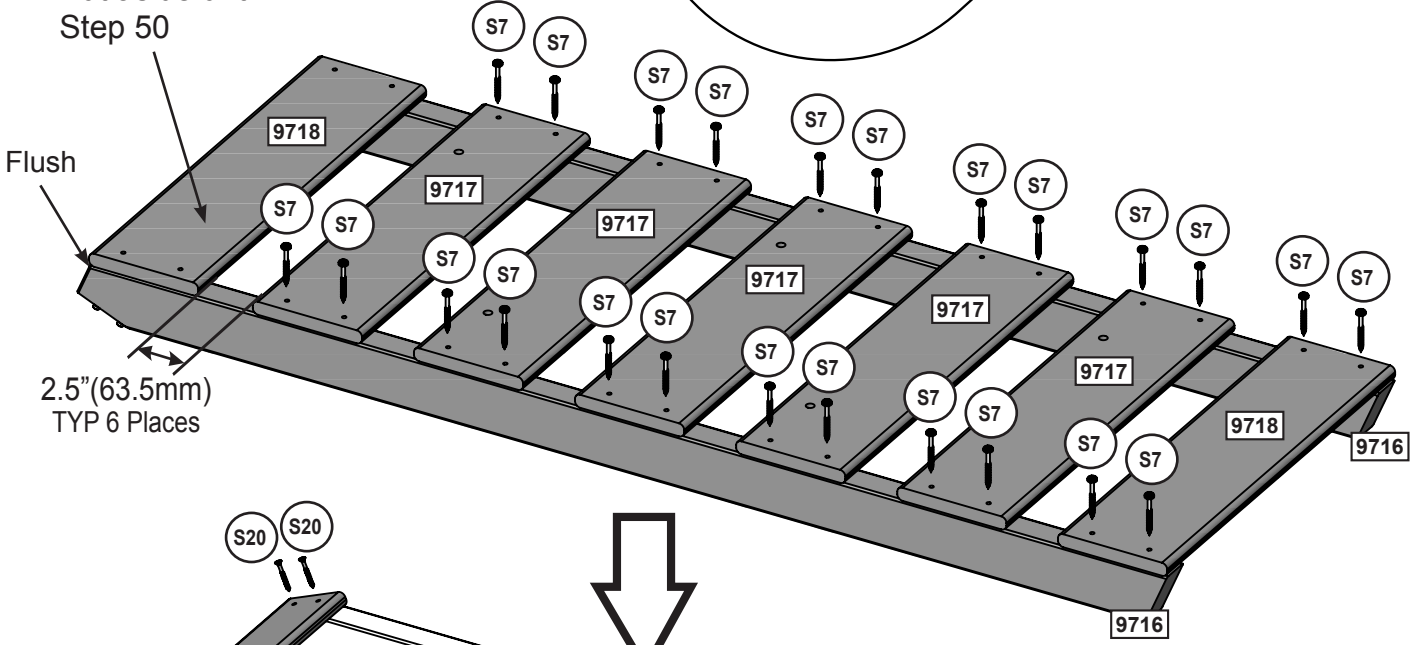
47



IMPORTANT!
Follow hole pattern



Do not attach
Put aside until
Step 50



2.5" (63.5mm)
TYP 6 Places

Wood Parts

- 2 x 34.9 x 63.5 x 1332.8 mm (1-3/8" x 2-1/2" x 52-1/2")
- 5 x 15.9 x 133.4 x 482.6 mm (5/8" x 5-1/4" x 19")
- 2 x 15.9 x 133.4 x 482.6 mm (5/8" x 5-1/4" x 19")
- 1 x 15.9 x 76.2 x 482.6 mm (5/8" x 3" x 19")

Hardware

- 24 x #12 x 50.8mm (#12 x 2")
- 4 x #8 x 35mm (#8 x 1-3/8")

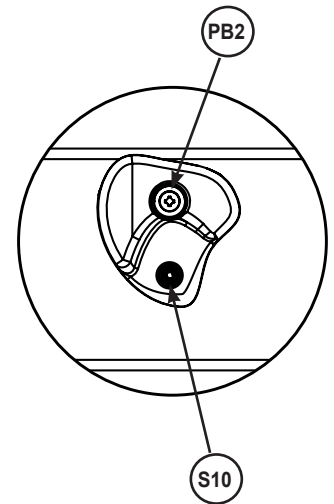
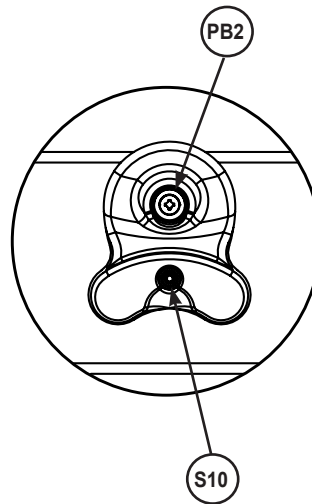
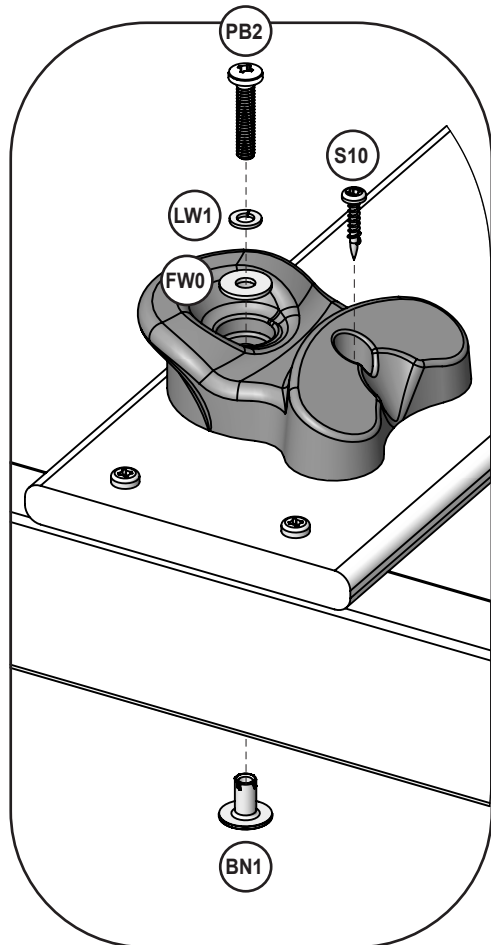
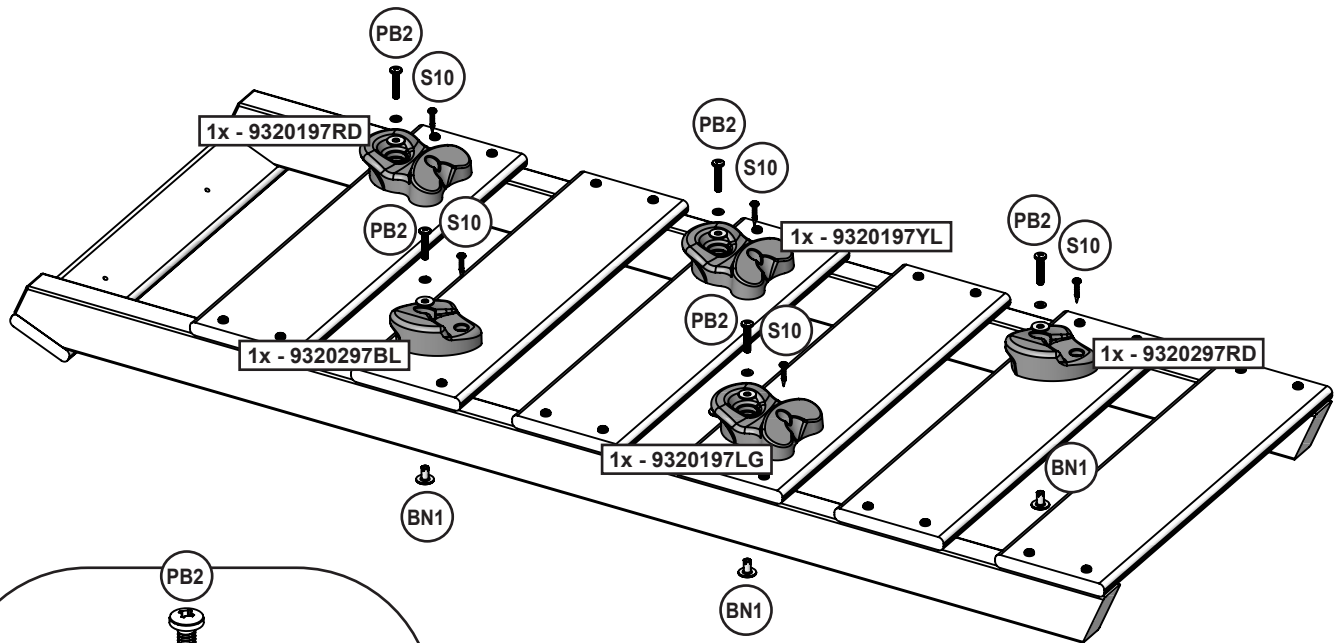


parts.kidkraft.com

customerservice@kidkraft.com
1.800.933.0771
972.385.0100

48

Note: Make sure all hardware is used to properly secure each rock.



Herrajes

- 5 x **(PB2)** 7.9mm x 32 mm (5/16 x 1-1/4") (FW0,LW1,BN1)
- 5 x **(S10)** #8 x 25.4 mm (#8 x 1")

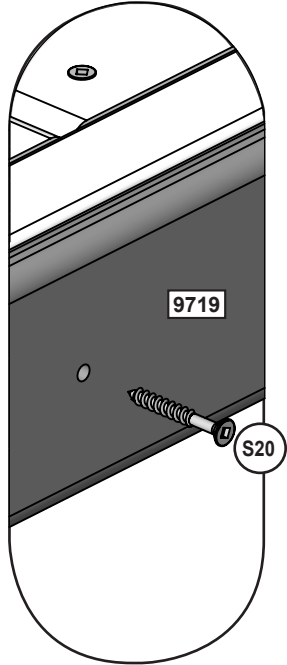
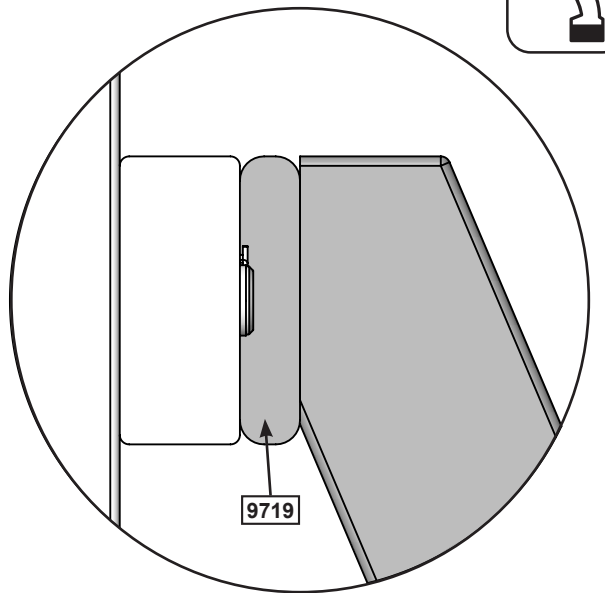
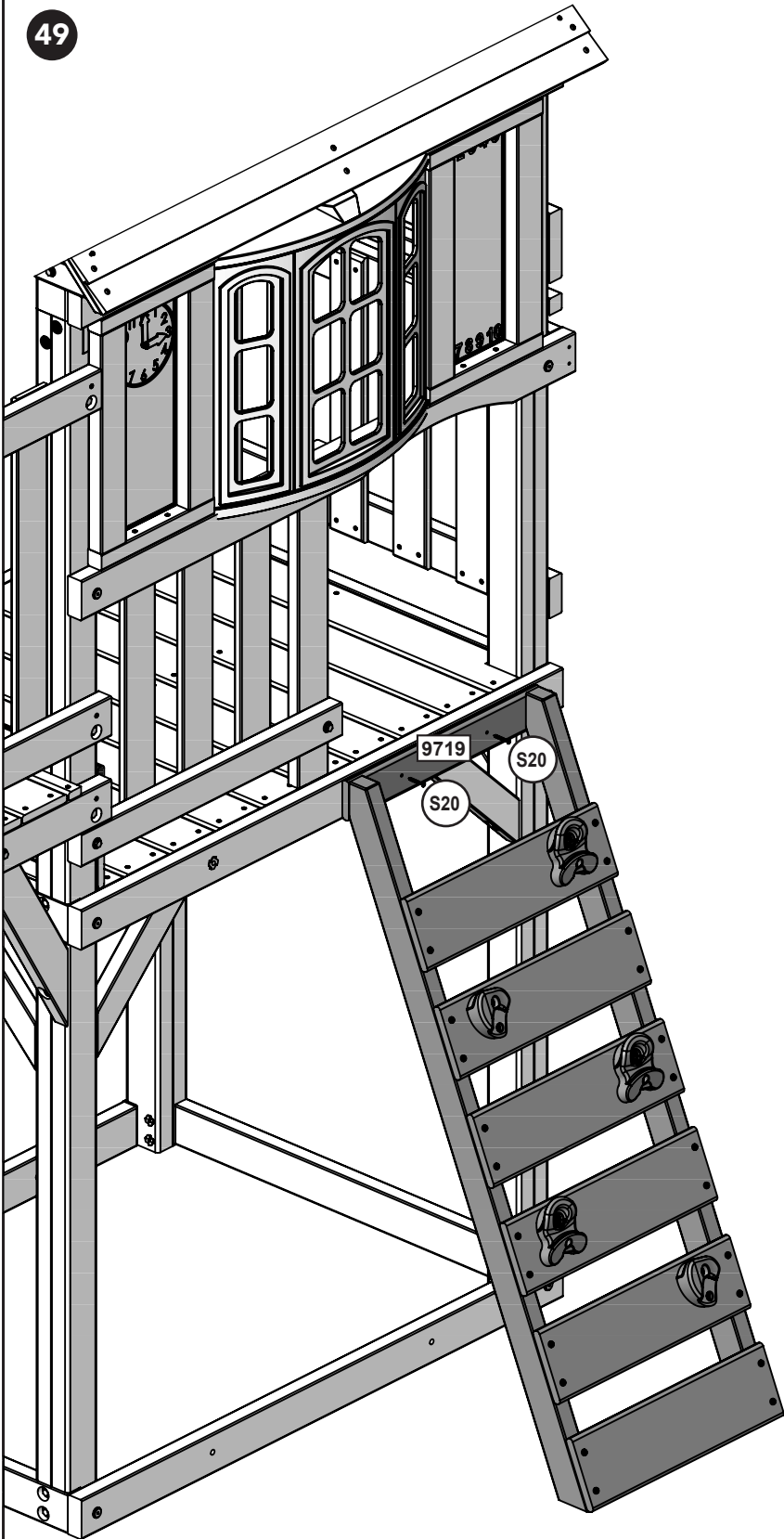
Otras piezas

- | | | | |
|-----|----------------|-----|----------------|
| 1 x | 1x - 9320197RD | 1 x | 1x - 9320297RD |
| 1 x | 1x - 9320197YL | 1 x | 1x - 9320297BL |
| 1 x | 1x - 9320197LG | | |

europecustomerservice@kidkraft.com
 +31 20 305 8620
 M-F from 09:00 to 17:30 (GMT+1)

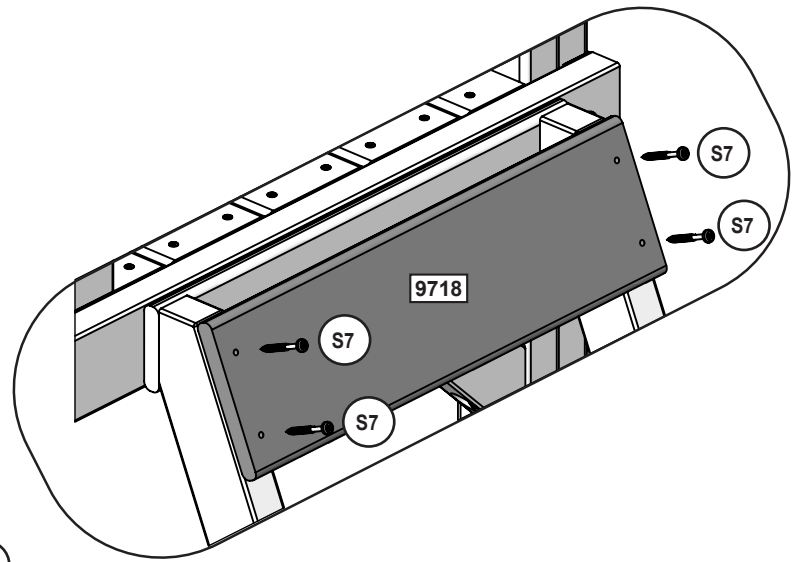
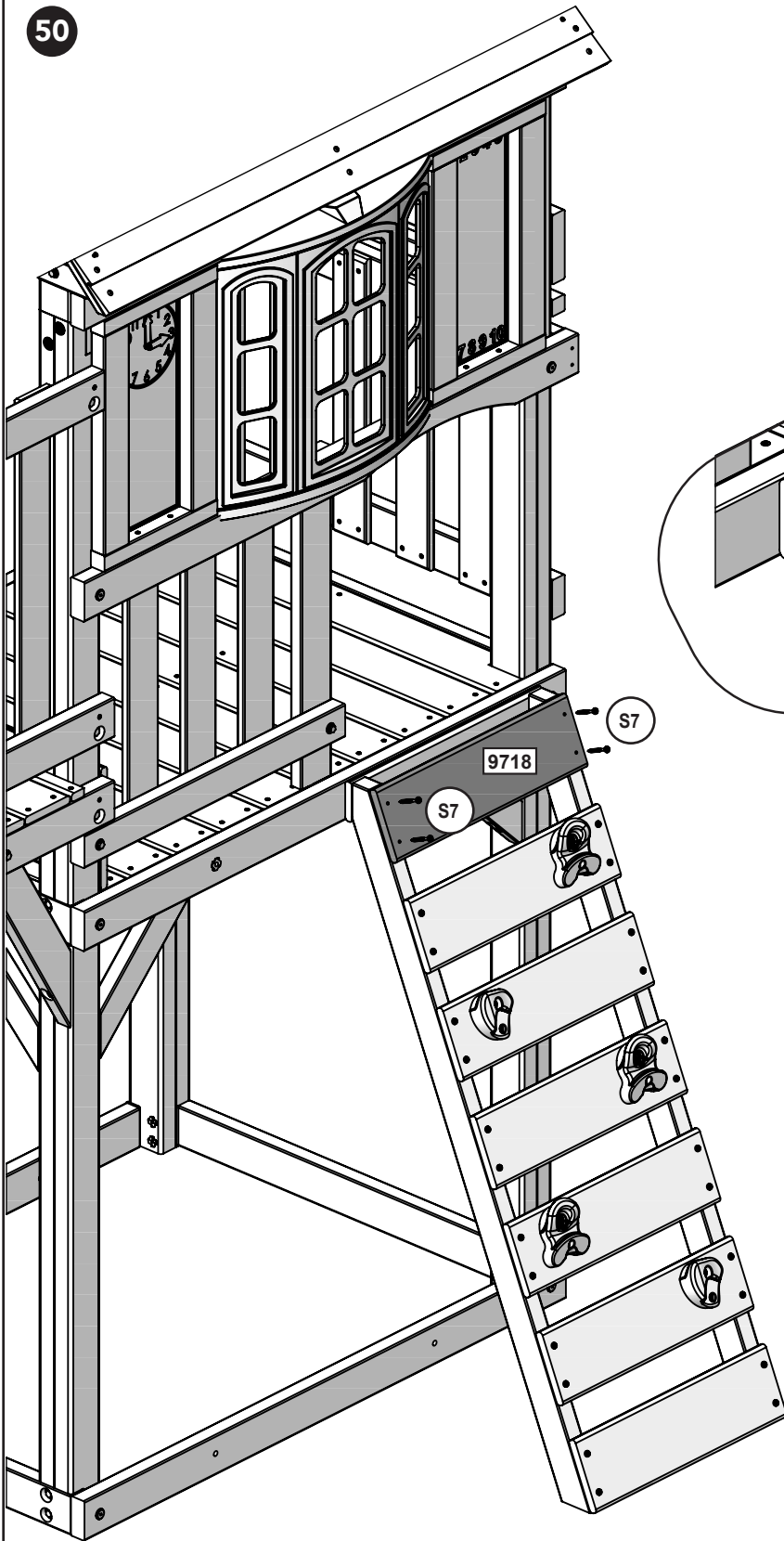
parts.kidkraft.eu





Hardware

2 x (S20) #8 x 35mm (#8 x 1-3/8")



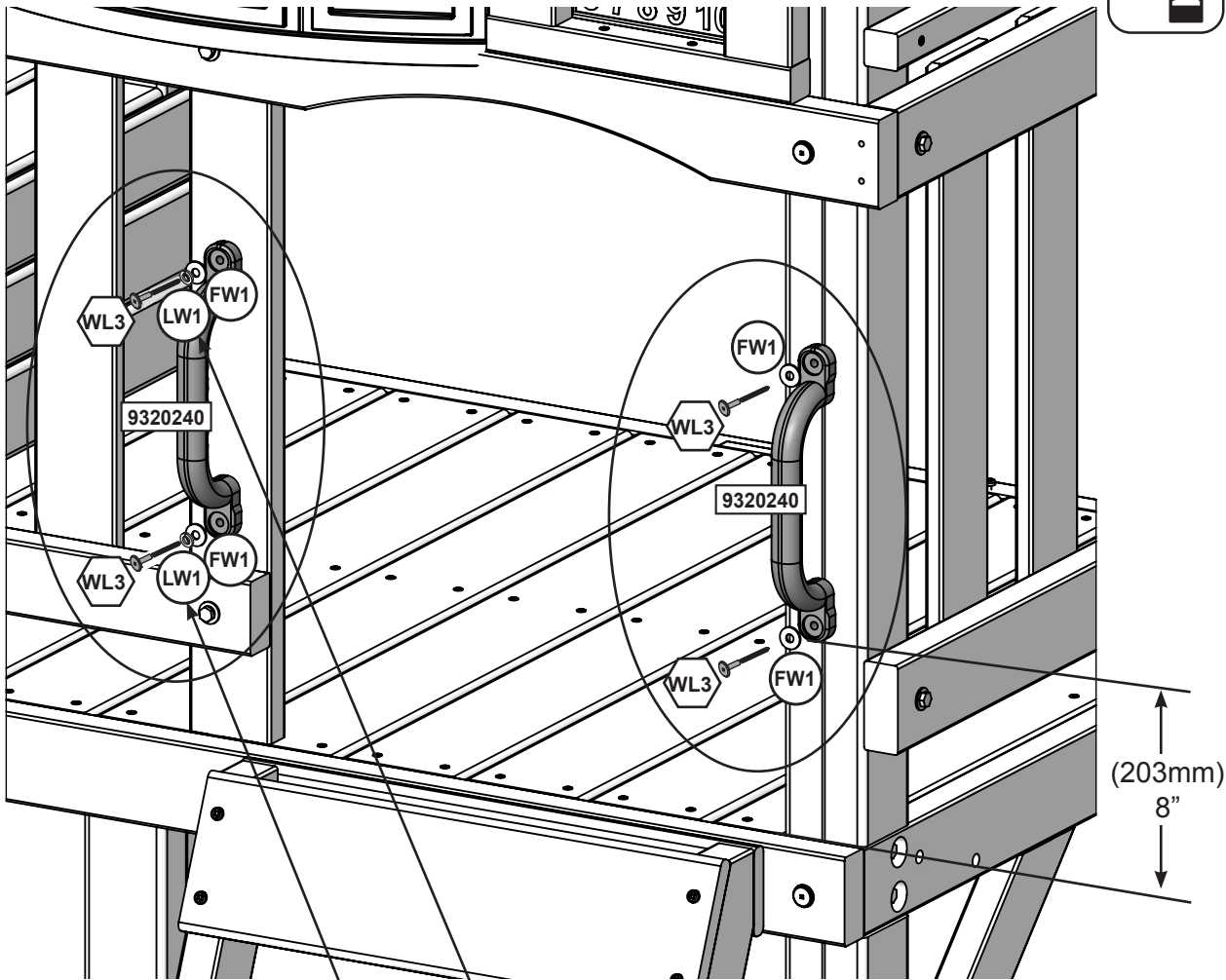
Hardware

4 x  #12 x 50.8mm (#12 x 2")

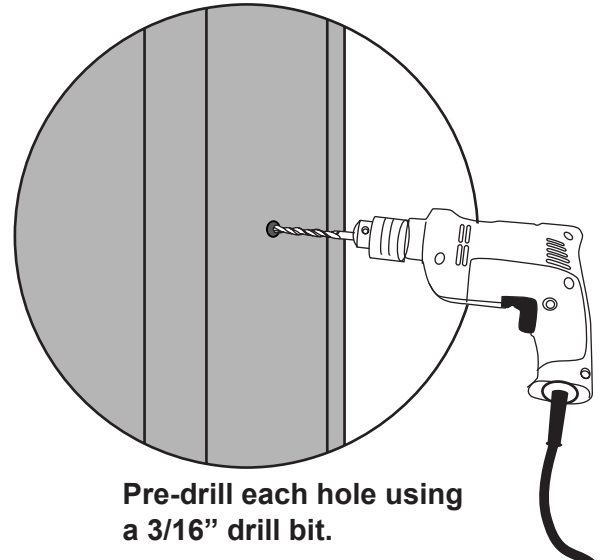
europecustomerservice@kidkraft.com
+31 20 305 8620
M-F from 09:00 to 17:30 (GMT+1)

parts.kidkraft.eu





Please be sure to add the extra washers to this handgrip to avoid hardware protrusion.



Pre-drill each hole using a 3/16" drill bit.

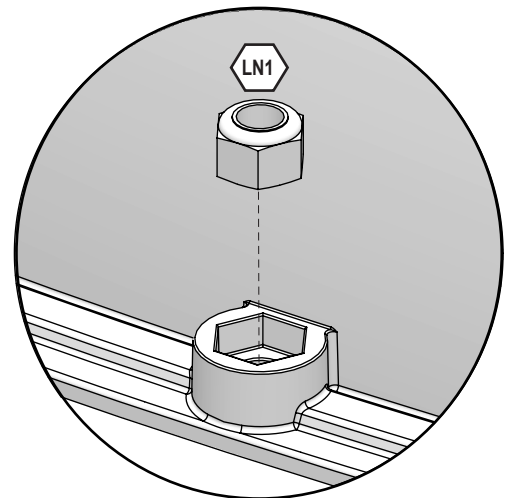
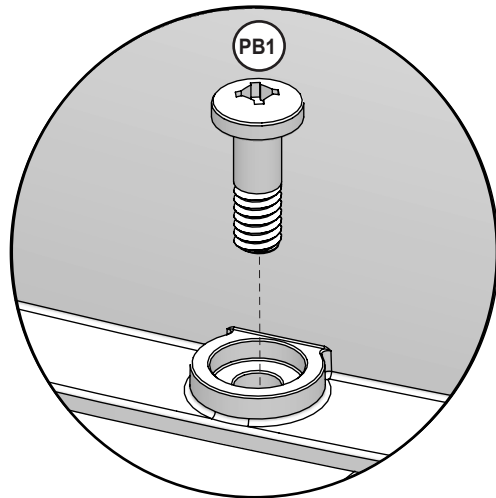
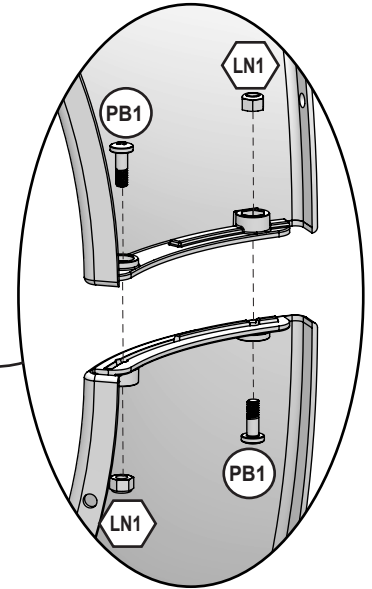
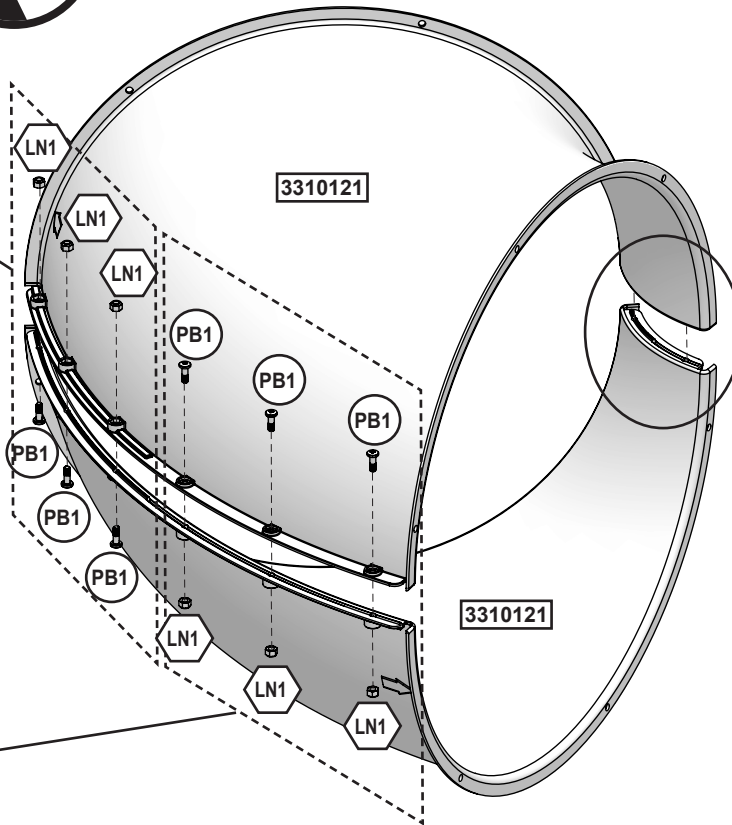
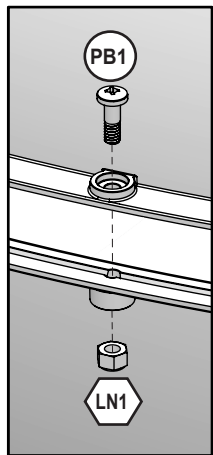
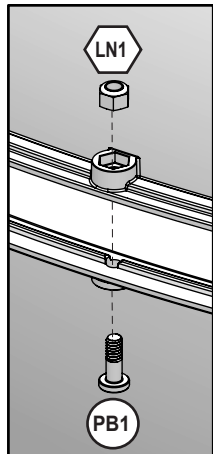
Hardware

- 4 x 6.4mm x 35mm (1/4 x 1-3/8") (FW1)
- 2 x

Other Parts

- 2 x

Complete this four times



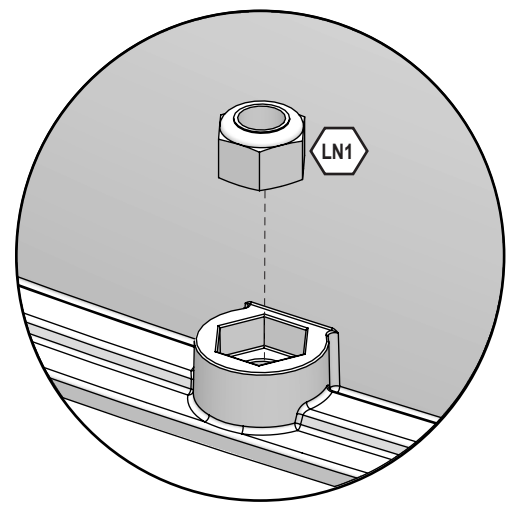
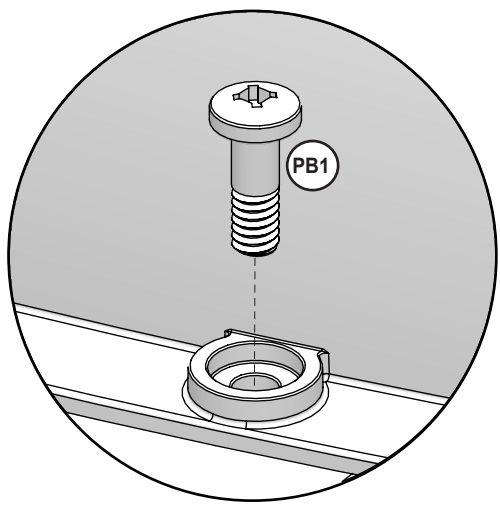
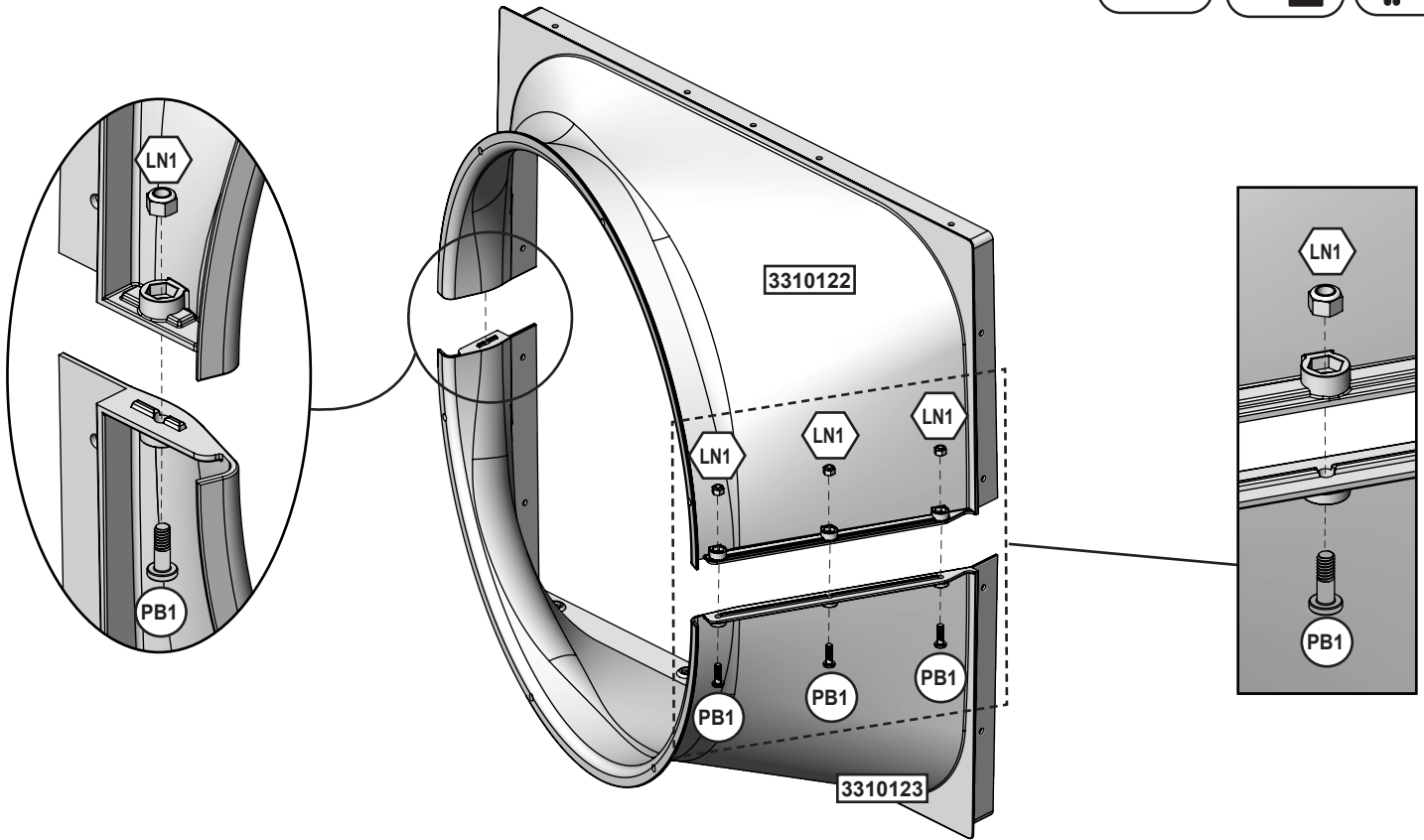
Hardware

32 x (PB1) 6.3mm x 19 mm (1/4 x 3/4") (LN1)

Other Parts

8 x 3310121



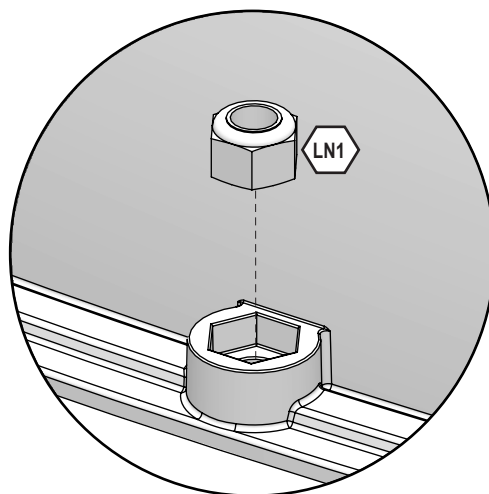
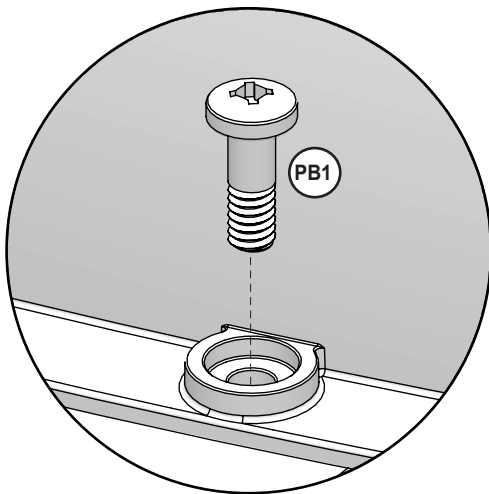
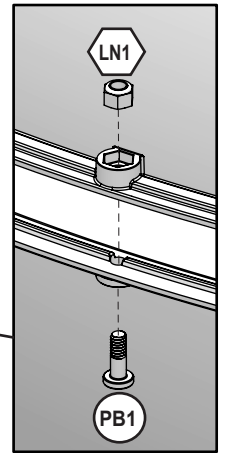
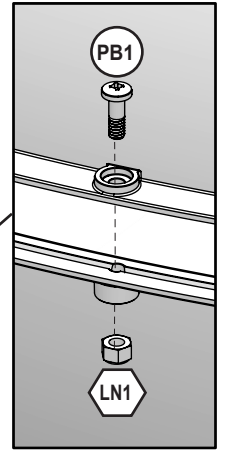
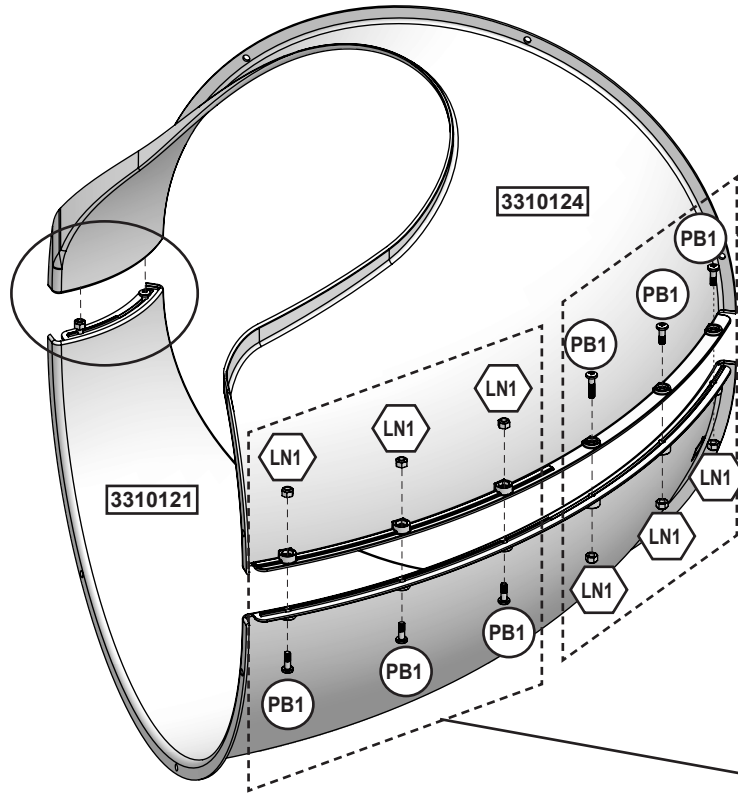
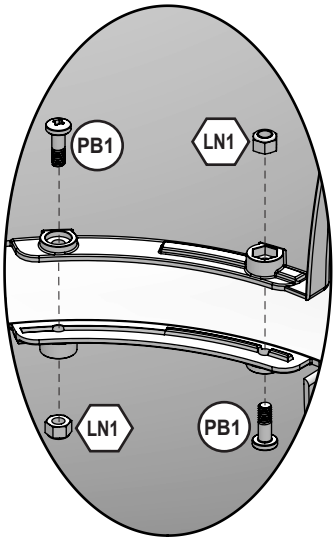


Hardware

4 x (PB1) 6.3mm x 19 mm (1/4 x 3/4") (LN1)

Other Parts

1 x 3310122
 1 x 3310123



Hardware

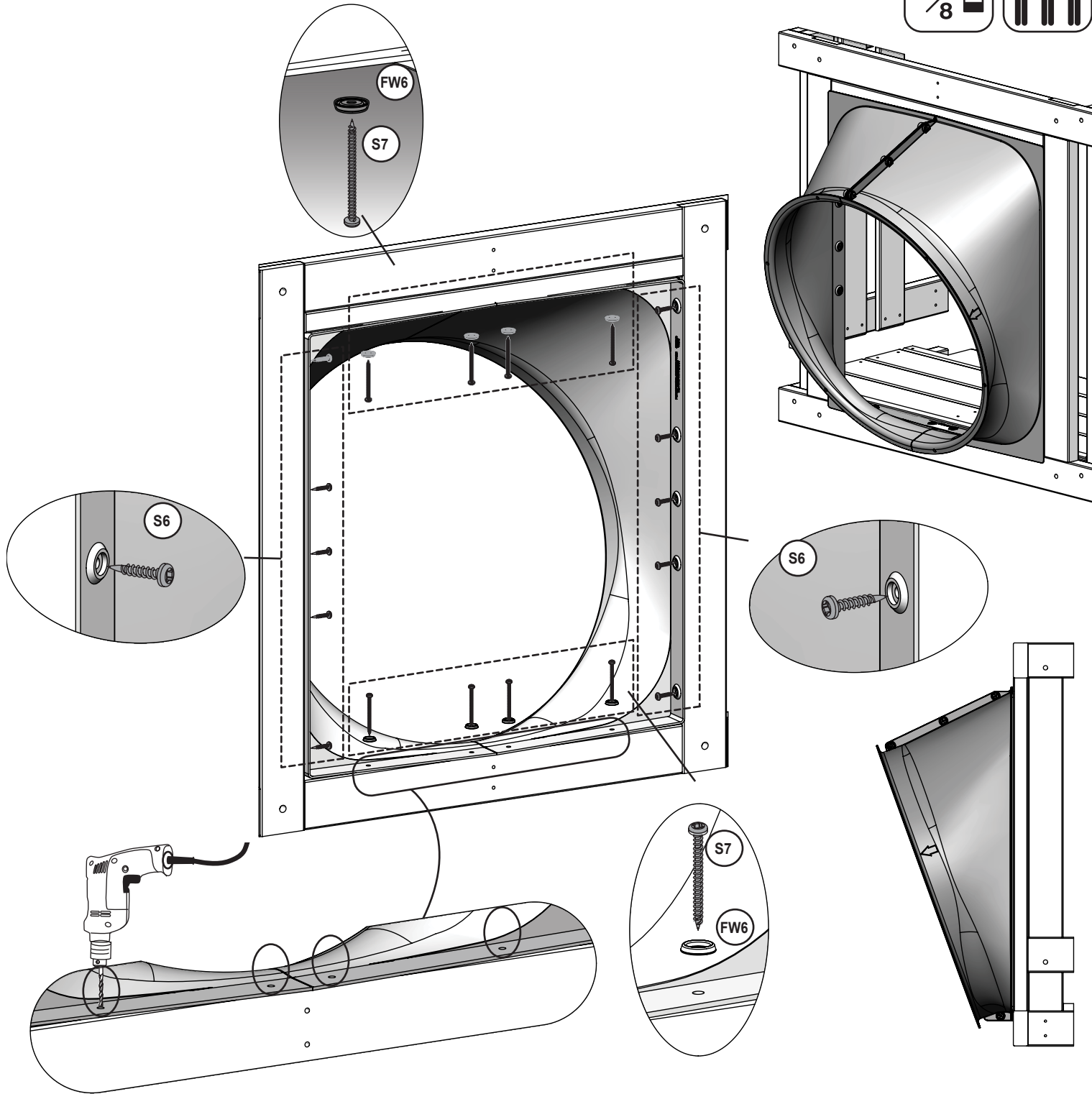
8 x 6.3mm x 19 mm (1/4 x 3/4") (LN1)

Other Parts

1 x




1 x





Pre-drill each hole using a 1/8" drill bit.
Making sure the pre-drilled holes are a minimum of 1" deep.

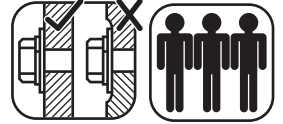
Hardware

- 10 x  #12 x 25.4mm (#12 x 1")
- 8 x  #12 x 50.8mm (#12 x 2")
- 8 x  #12

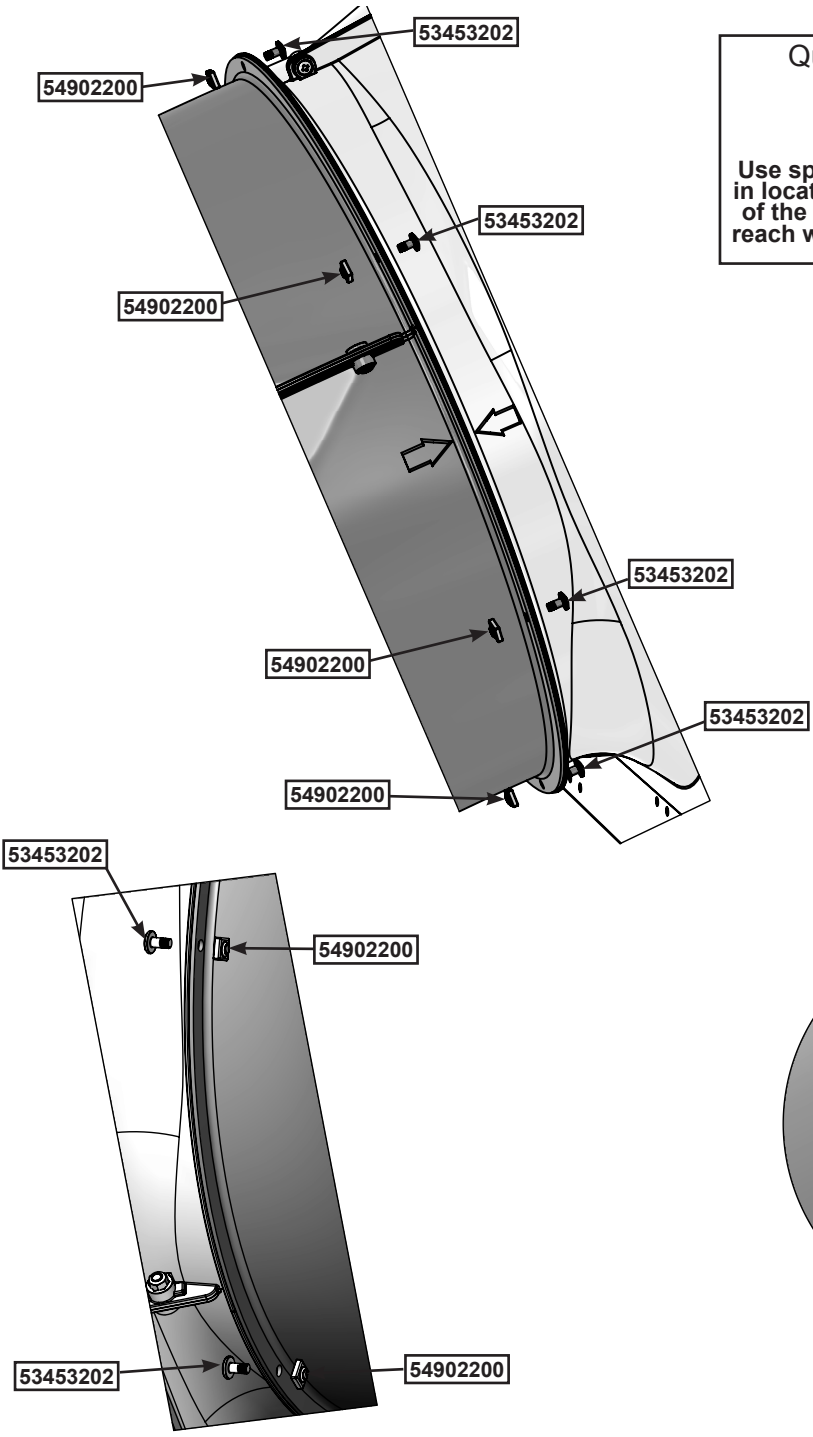



parts.kidkraft.com

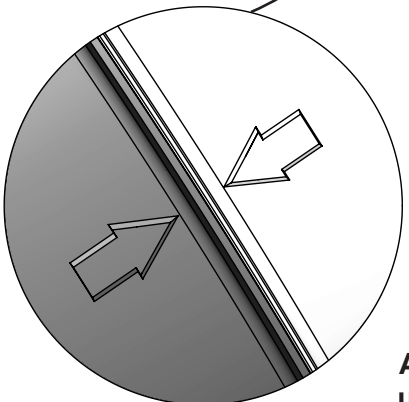
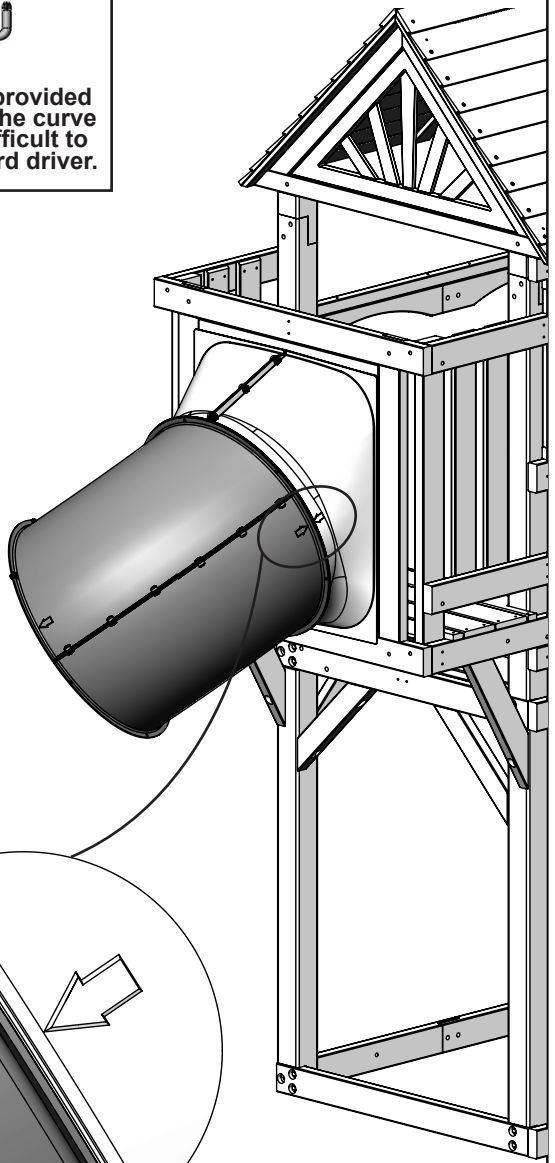
customerservice@kidkraft.com
1.800.933.0771
972.385.0100



Note: Keep all bolts loose until further step.
Use Quadrex Driver as a guide pin for each hole before inserting bolt.
Align each elbow using the molded arrows.



Quadrex Driver

Use special driver provided in locations where the curve of the elbow are difficult to reach with a standard driver.



Align each elbow using the molded arrows.

Other Parts

- 6 x 54902200
- 6 x 53453202 1/4" x 12.7mm



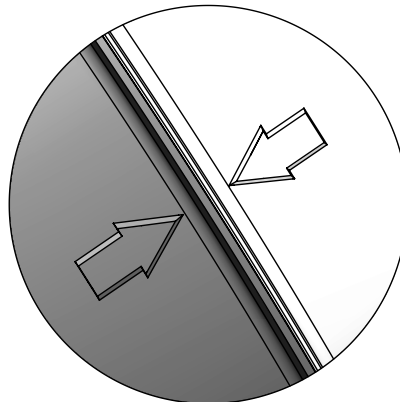
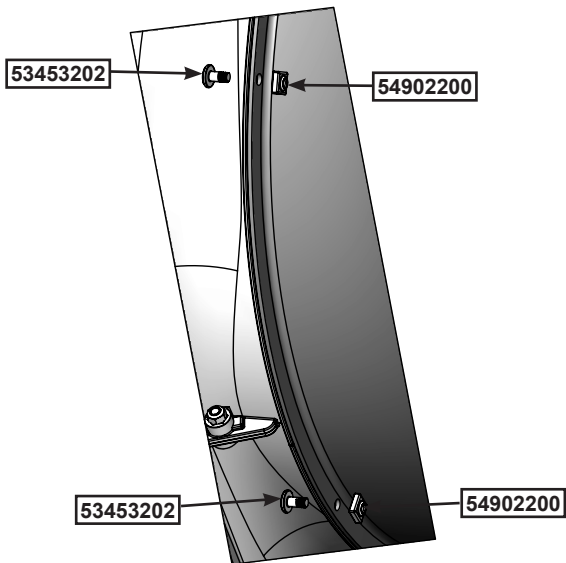
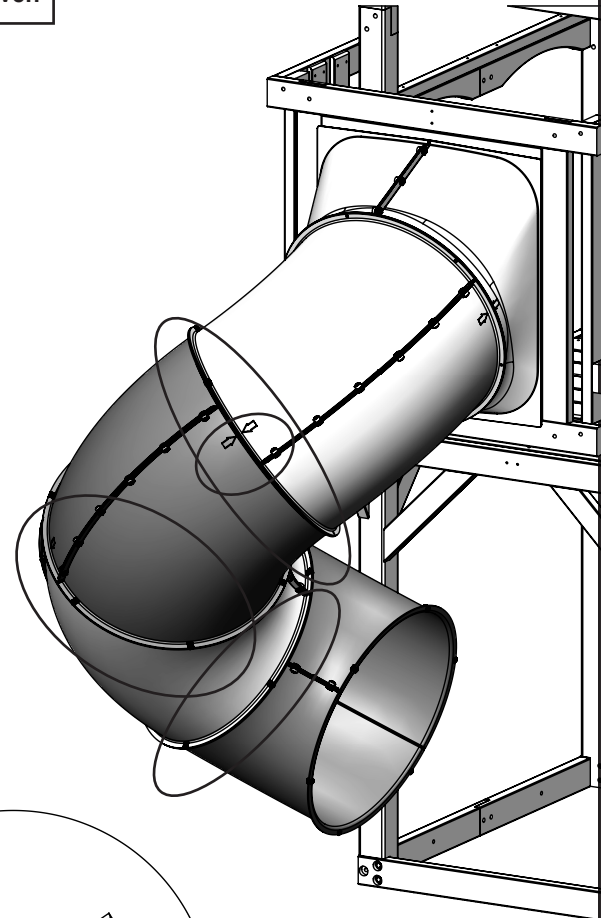
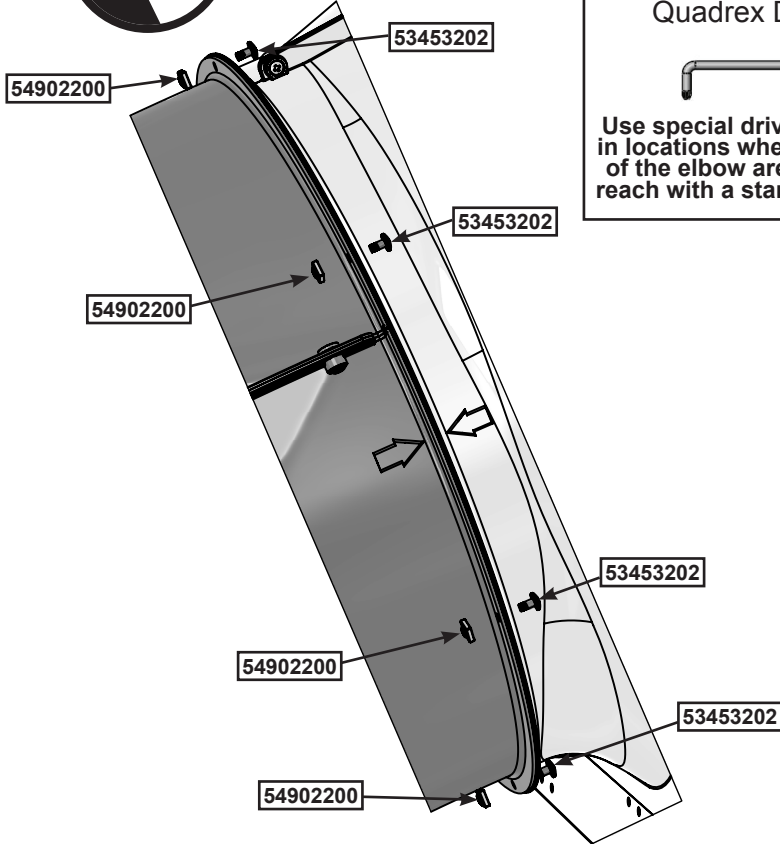
57

Complete this three times



Note: Keep all bolts loose until further step.
Use Quadrex Driver as a guide pin for each hole before inserting bolt.

Quadrex Driver
Use special driver provided in locations where the curve of the elbow are difficult to reach with a standard driver.



Align each elbow using the molded arrows.

Other Parts

- 18 x 54902200
- 18 x 53453202 1/4" x 12.7mm