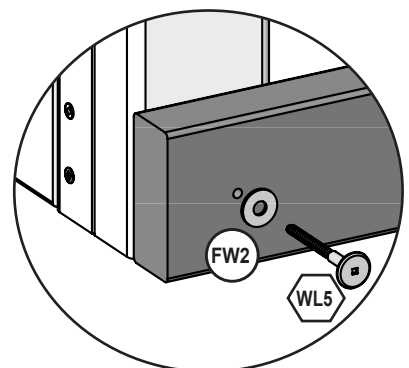
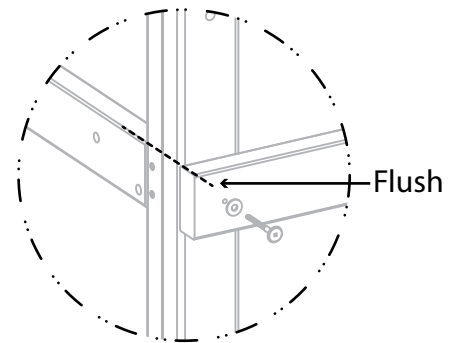
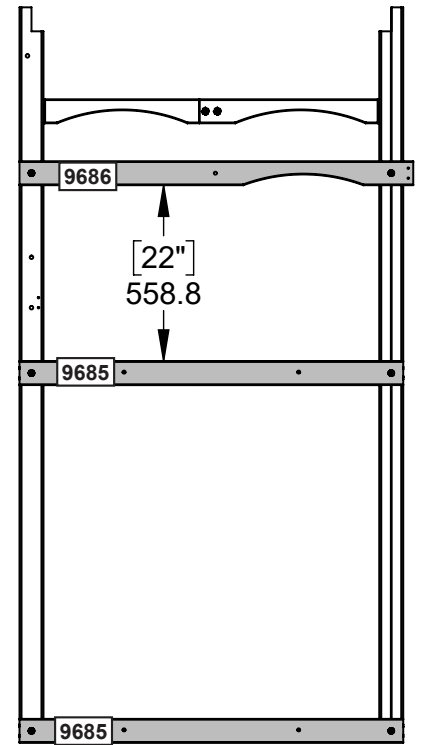
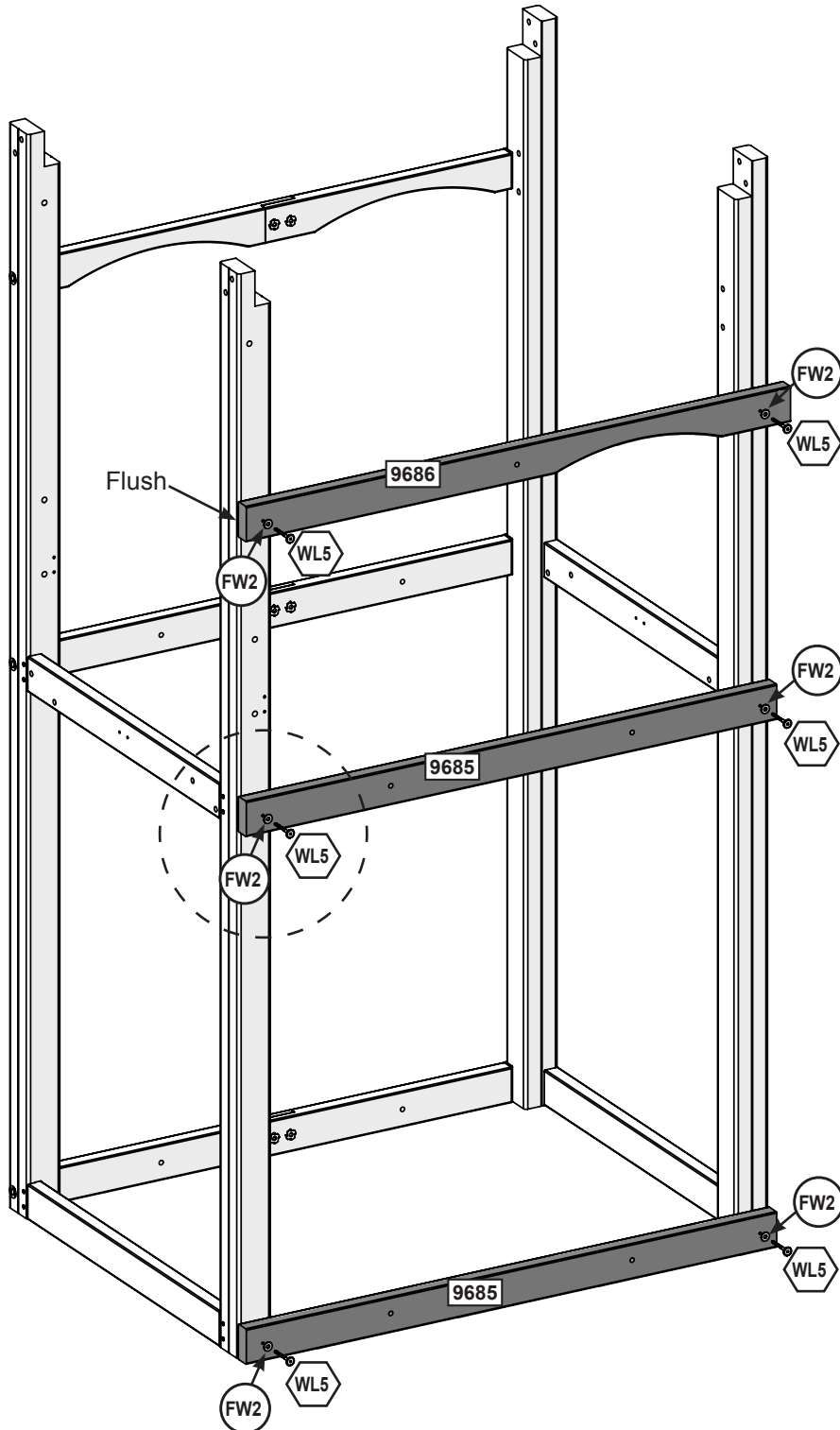


8

Pre-drill each hole using a 3/16" drill bit.



**Wood Parts**

- 2 x 31.8 x 76.2 x 1219.2 mm (1-1/4" x 3" x 48")
- 1 x 31.8 x 76.2 x 1251.0 mm (1-1/4" x 3" x 49-1/4")

**Hardware**

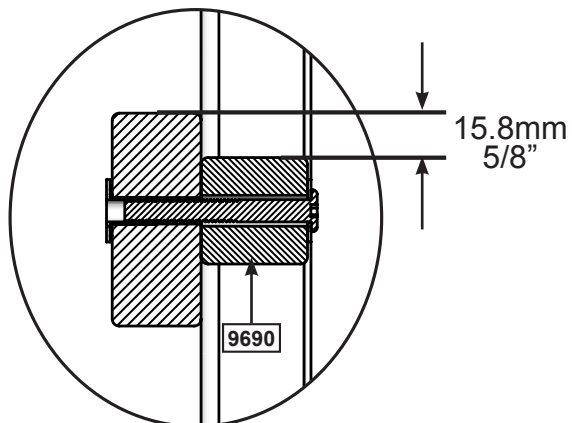
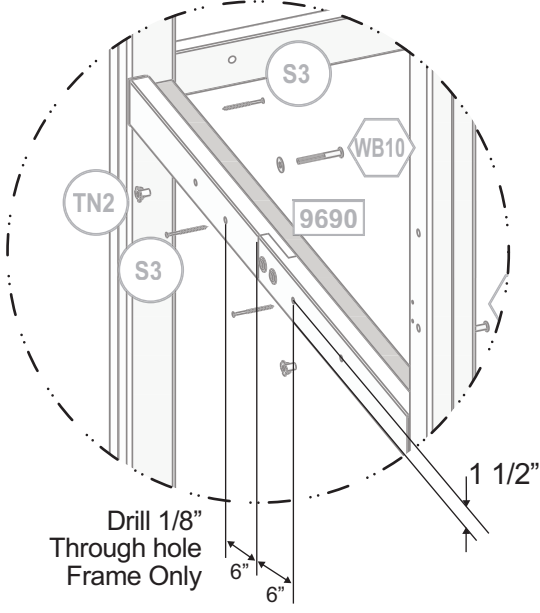
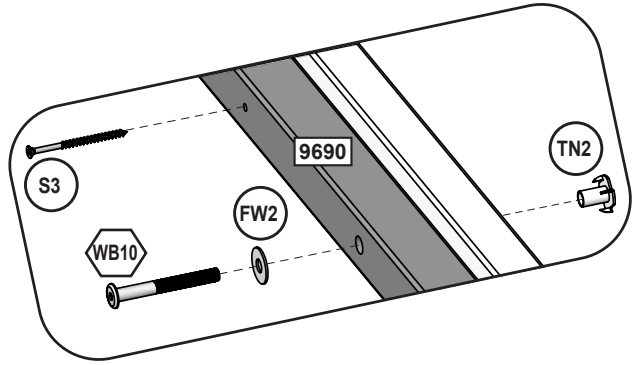
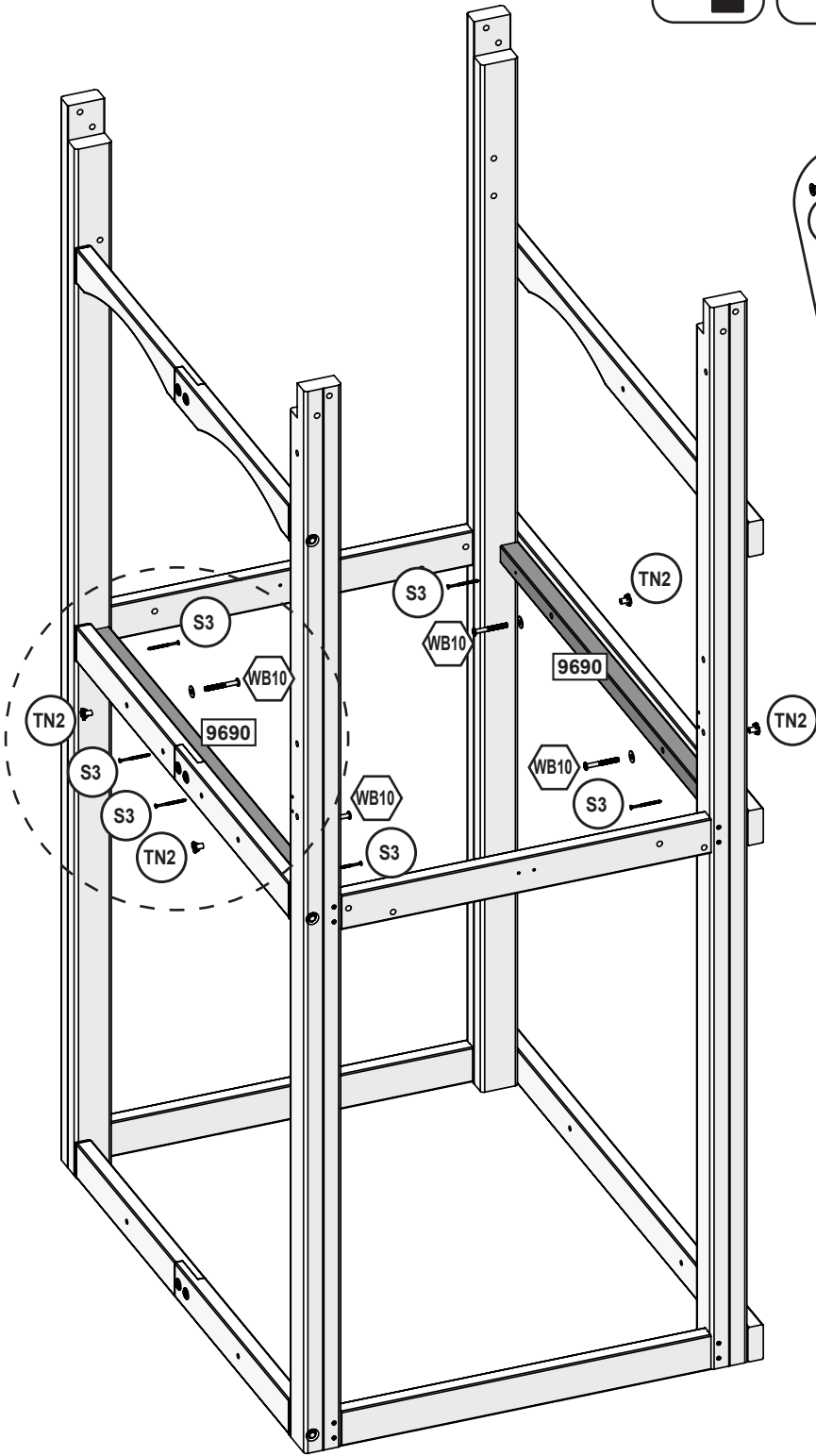
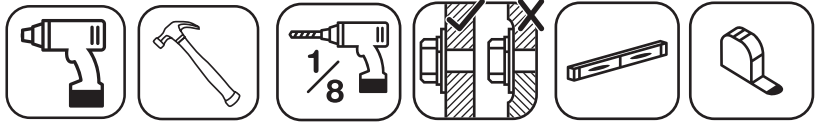
- 6 x 6.4mm x 63.5 mm (1/4 x 2-1/2") (FW2)

europecustomerservice@kidkraft.com  
 +31 20 305 8620  
 M-F from 09:00 to 17:30 (GMT+1)

parts.kidkraft.eu



**9 Assemble T-Nuts first with hammer!**



**Wood Parts**

2 x **9690** 38.1 x 38.1 x 1062.8 mm (1-1/2" x 1-1/2" x 41-13/16")

**Hardware**

4 x **WB10** 7.9mm x 66.6 mm (5/16 x 2-5/8")(FW2, TN2)

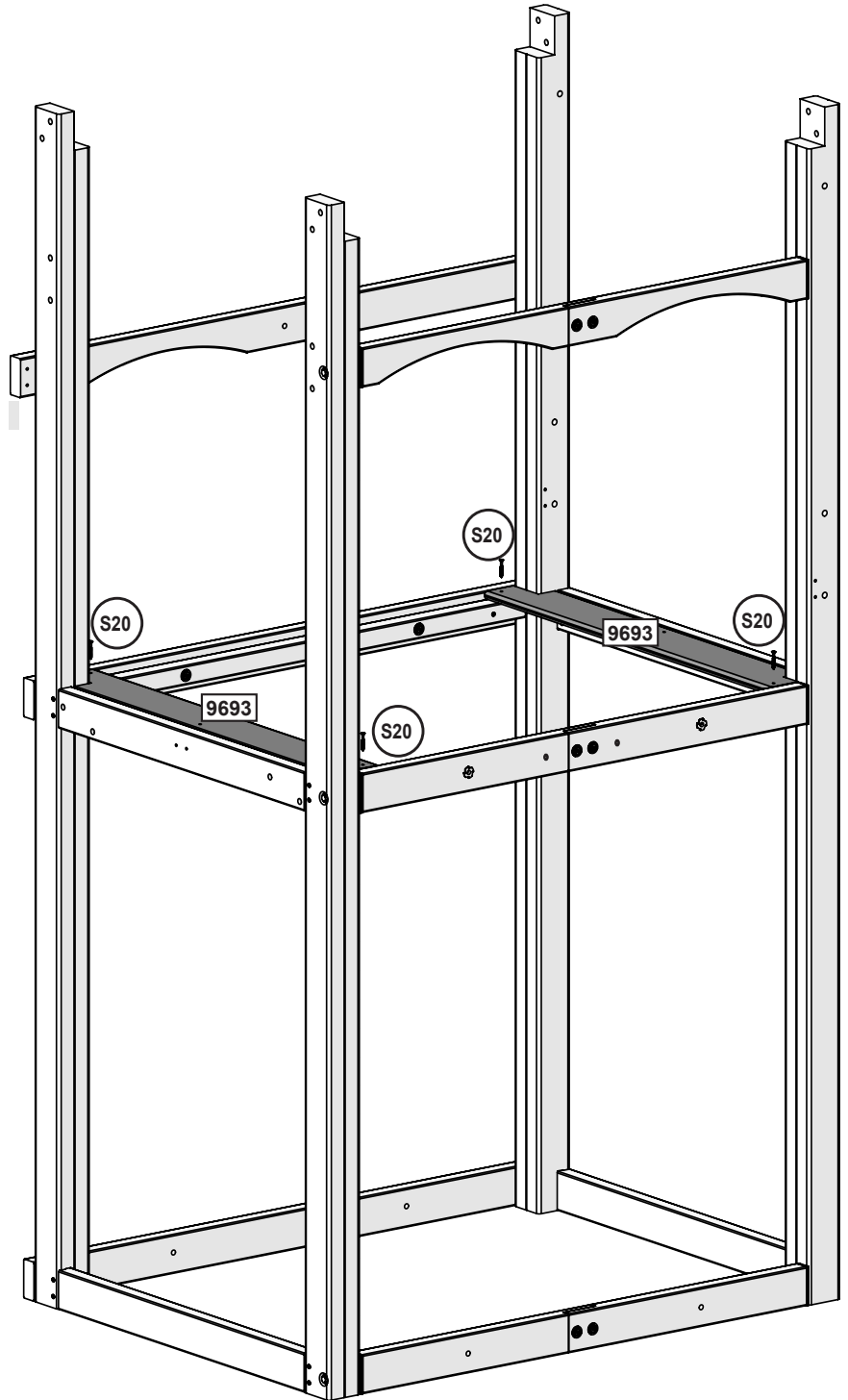
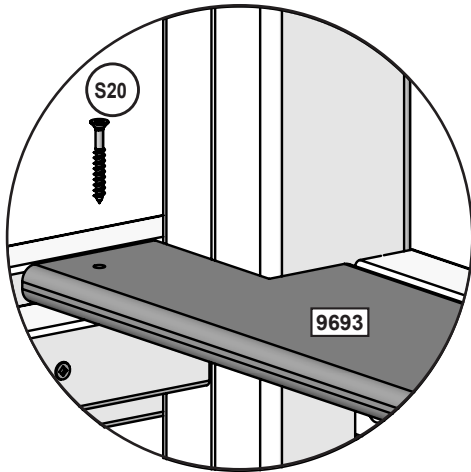
6 x **S3** #8 x 64mm (#8 x 2-1/2")



parts.kidkraft.com

customerservice@kidkraft.com  
1.800.933.0771  
972.385.0100

10



**Wood Parts**

2 x **9693** 15.9 x 114.3 x 882.6 mm (5/8" x 4 1/2" x 34 3/4")

**Hardware**

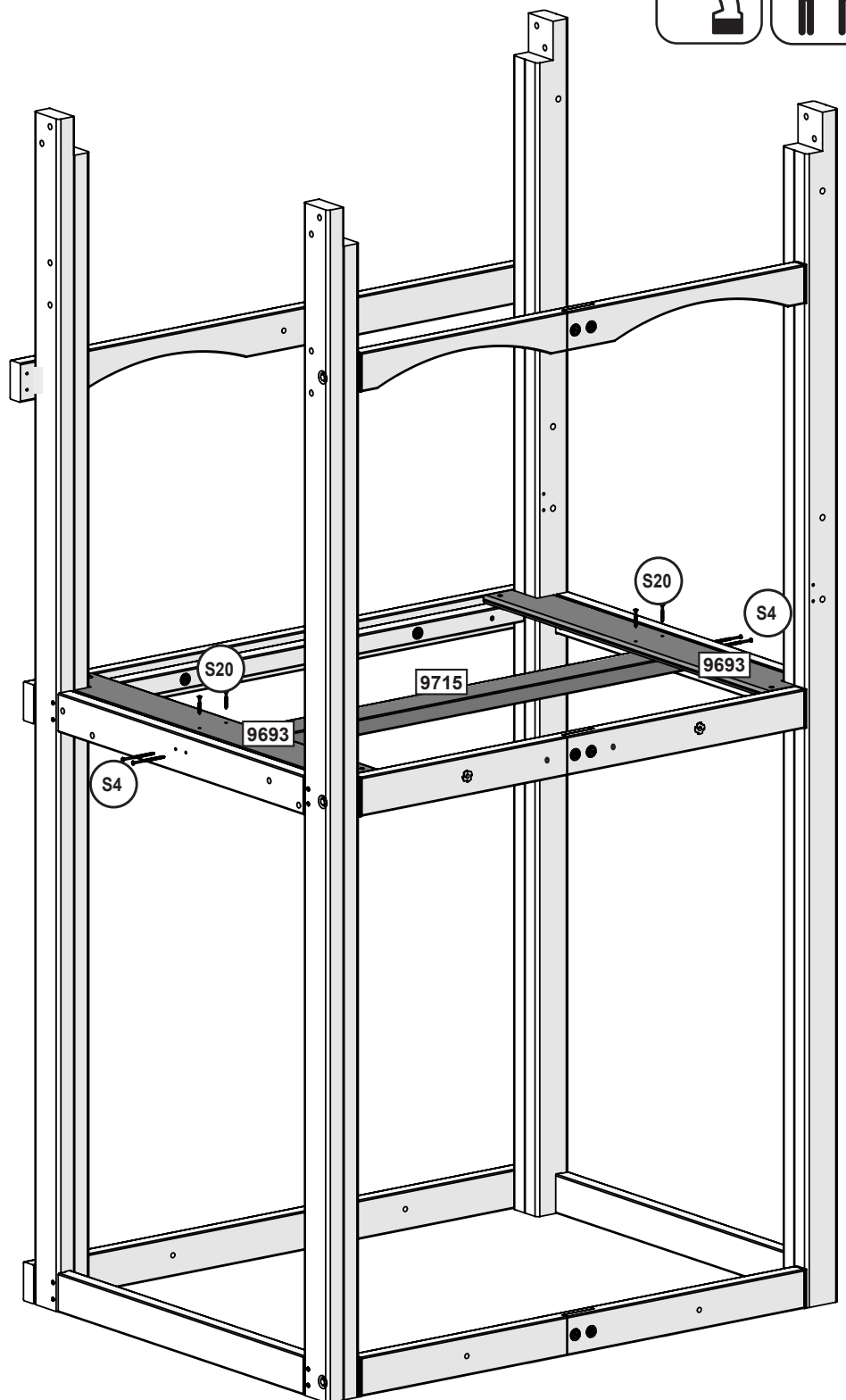
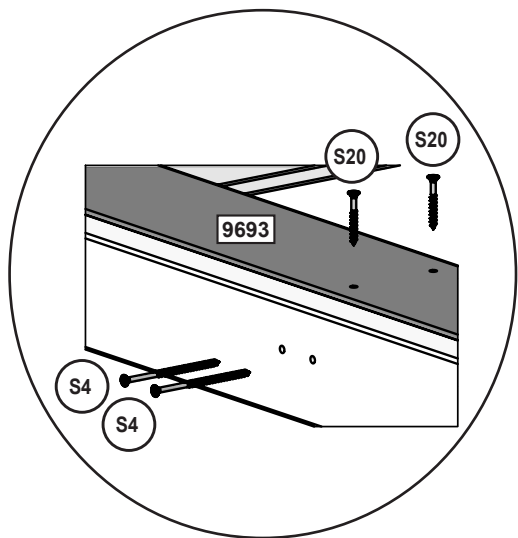
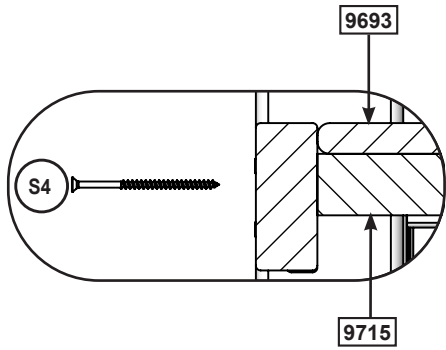
4 x **S20** #8 x 35mm (#8 x 1-3/8")

europcustomerservice@kidkraft.com  
+31 20 305 8620  
M-F from 09:00 to 17:30 (GMT+1)

parts.kidkraft.eu



11



**Wood Parts**

1 x 9715 31.8 x 76.2 x 1154.6 mm (1-1/4" X 3" X 45 7/16")

**Hardware**

4 x S20 #8 x 35mm (#8 x 1-3/8")

4 x S4 #8 x 76.2mm (#8 x 3")

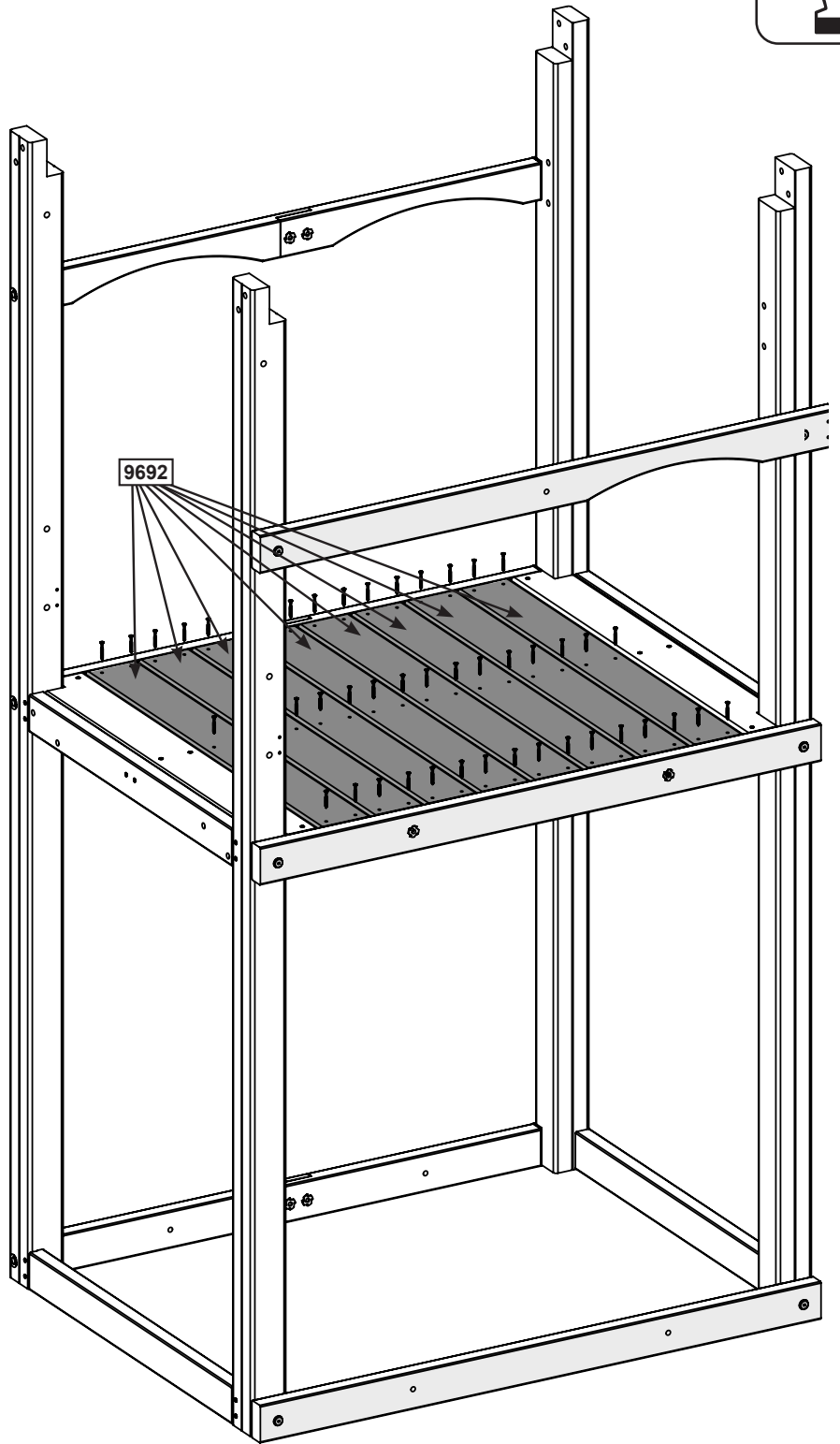
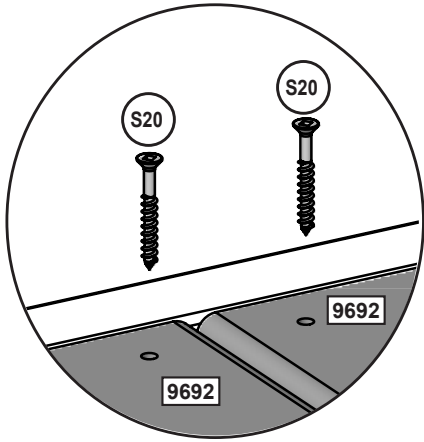


parts.kidkraft.com

customerservice@kidkraft.com  
1.800.933.0771  
972.385.0100



12



**Wood Parts**

8 x 9692 15.9 x 114.3 x 882.6 mm (5/8" X 4 1/2" X 34 3/4")

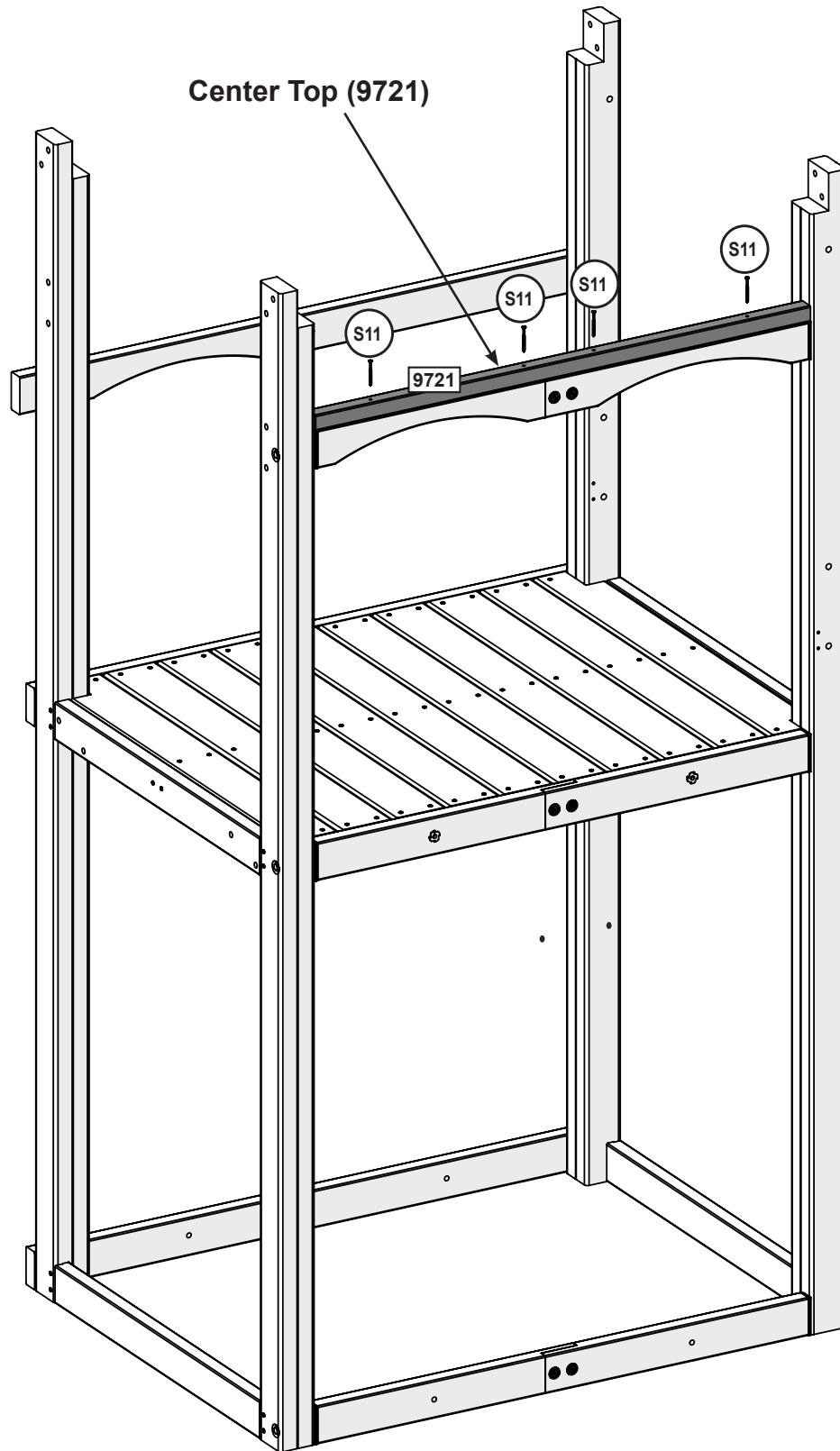
**Hardware**

48 x S20 #8 x 35mm (#8 x 1-3/8")

europecustomerservice@kidkraft.com  
+31 20 305 8620  
M-F from 09:00 to 17:30 (GMT+1)

parts.kidkraft.eu



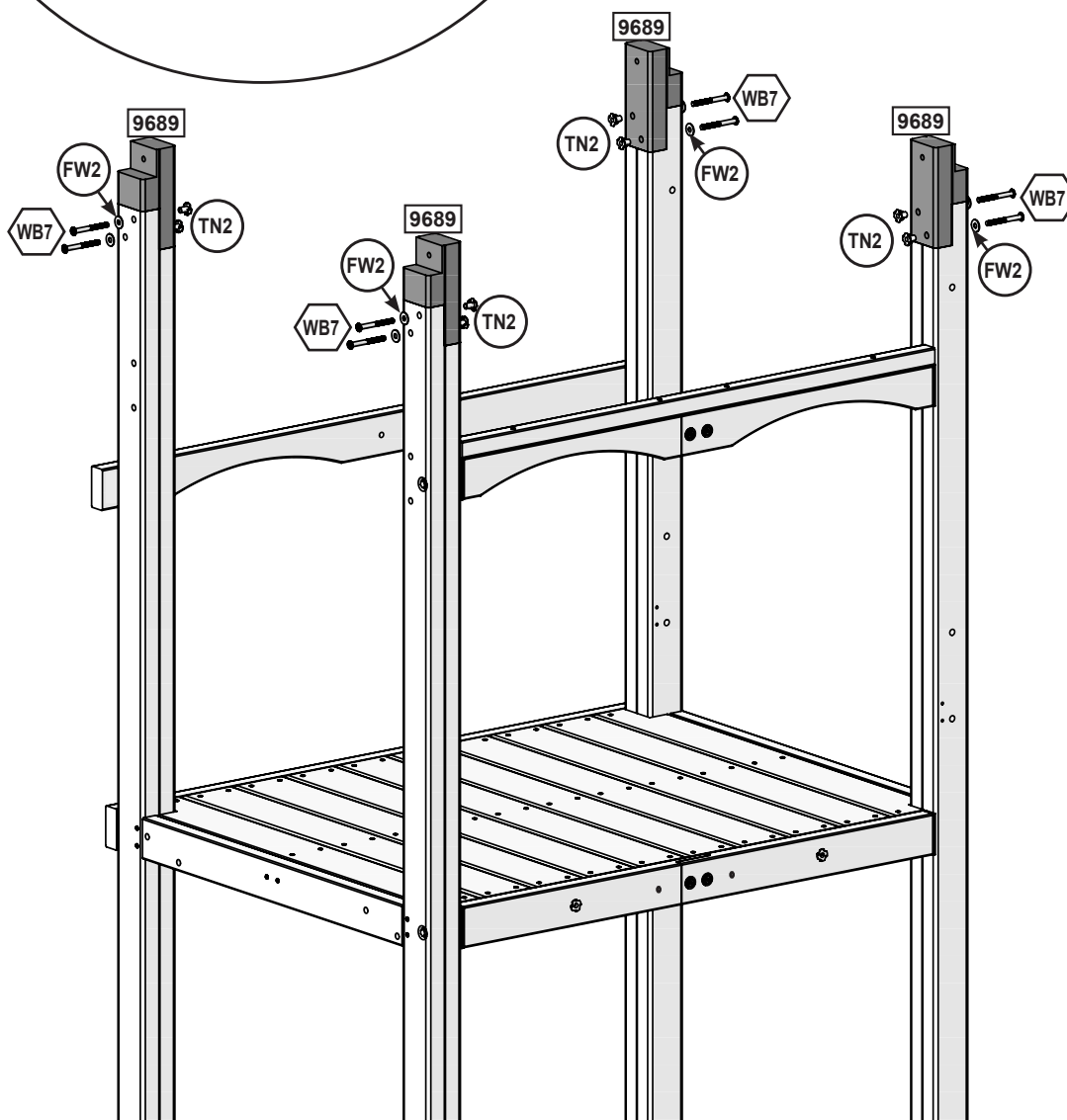
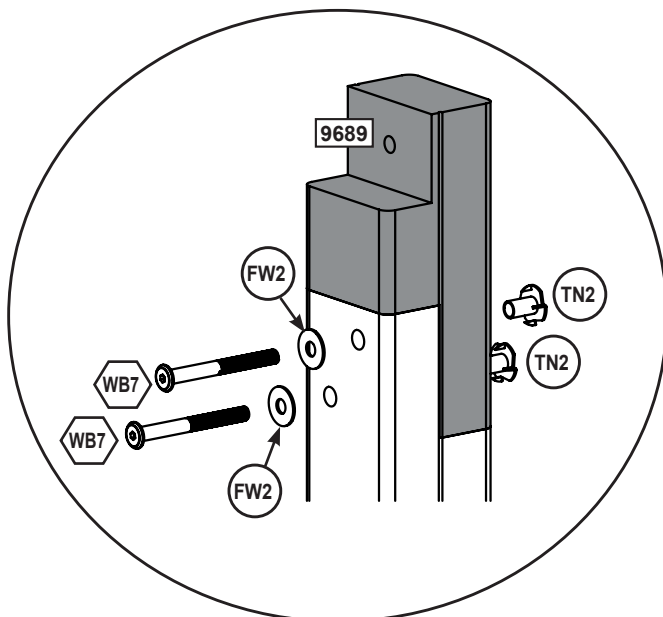


**Wood Parts**

1 x 9721 31.8 x 31.8 x 1064.8 mm (1-1/4" x 1-1/4" x 41-15/16")

**Hardware**

4 x S11 #8 x 50.8mm (#8 x 2")



**Wood Parts**

4 x **9689** 76.2 x 76.2 x 186.6 mm (3" x 3" x 7-3/8")

**Hardware**

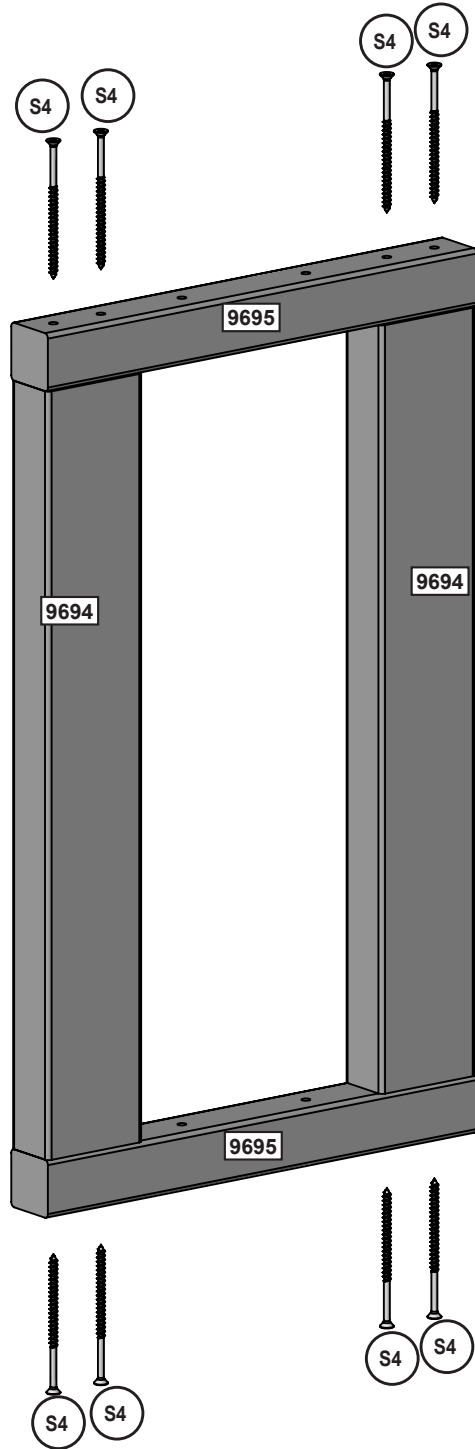
8 x **WB7** 7.9mm x 76.2mm (5/16 x 3") (FW2, TN2)



15



Complete this step twice



**Wood Parts**

- 4 x 31.8 x 63.5 x 421.0 mm (1-1/4" x 2-1/2" x 16-9/16")
- 4 x 31.8 x 31.8 x 285.9 mm (1-1/4" x 1-1/4" x 11-1/4")

**Hardware**

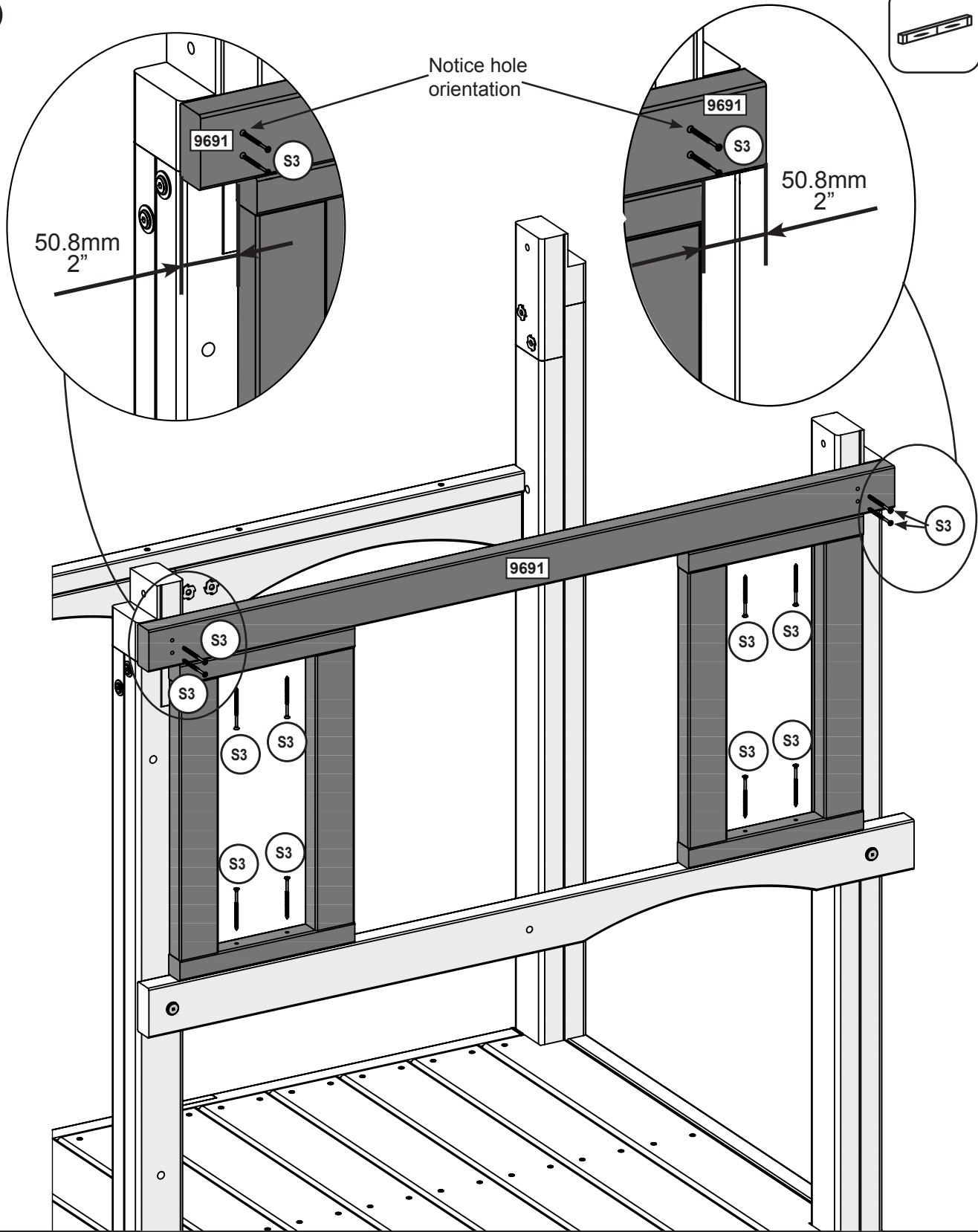
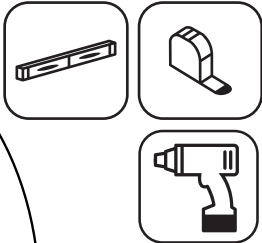
- 16 x #8 x 76.2mm (#8 x 3")



parts.kidkraft.com

customerservice@kidkraft.com  
1.800.933.0771  
972.385.0100

16



**Wood Parts**

1 x 9691 31.8 x 63.5 x 1219.2 mm (1-1/4" x 2-1/2" x 48")

**Hardware**

12 x S3 #8 x 64mm (#8 x 2-1/2")

europecustomerservice@kidkraft.com  
 +31 20 305 8620  
 M-F from 09:00 to 17:30 (GMT+1)

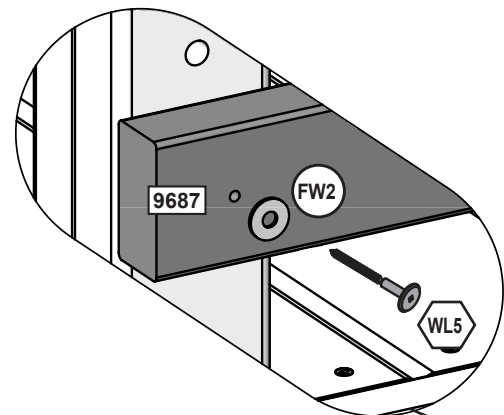
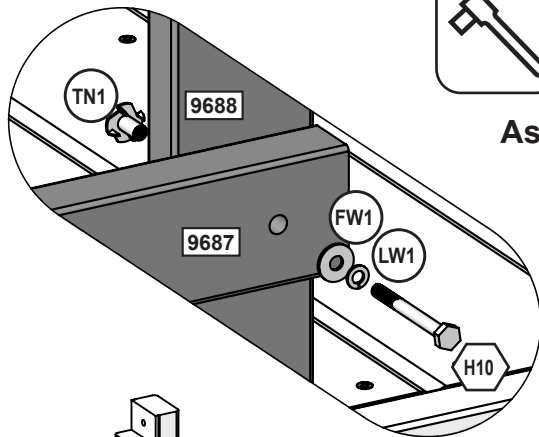
parts.kidkraft.eu



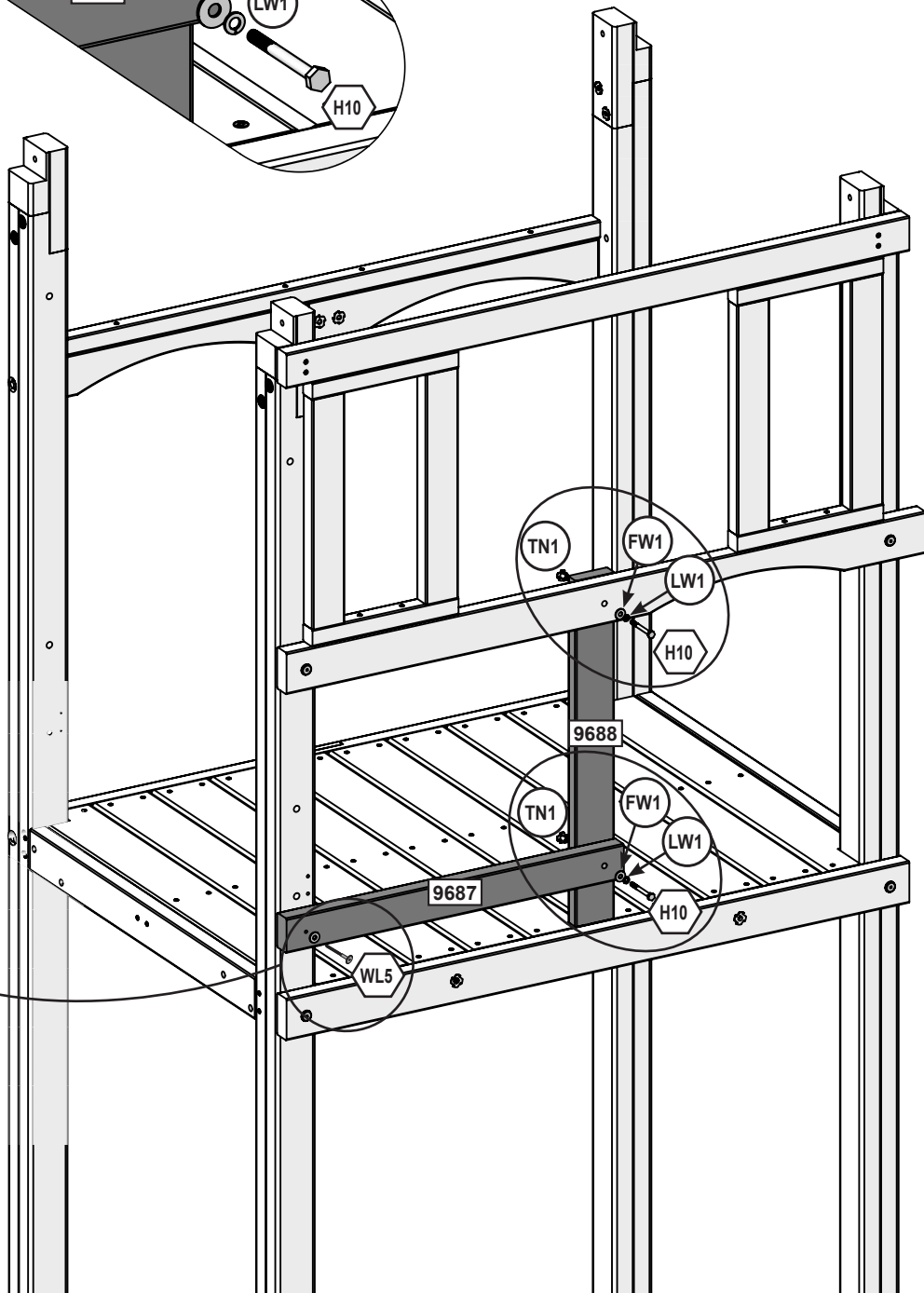
17



Assemble T-Nuts first with hammer!



Pre-drill each hole using a 3/16" drill bit.



**Wood Parts**

- 1 x 9688 25.4 x 76.2 x 635.0 mm (1" x 3" x 25")
- 1 x 9687 31.8 x 63.5 x 660.4 mm (1-1/4" x 2-1/2" x 26")

**Hardware**

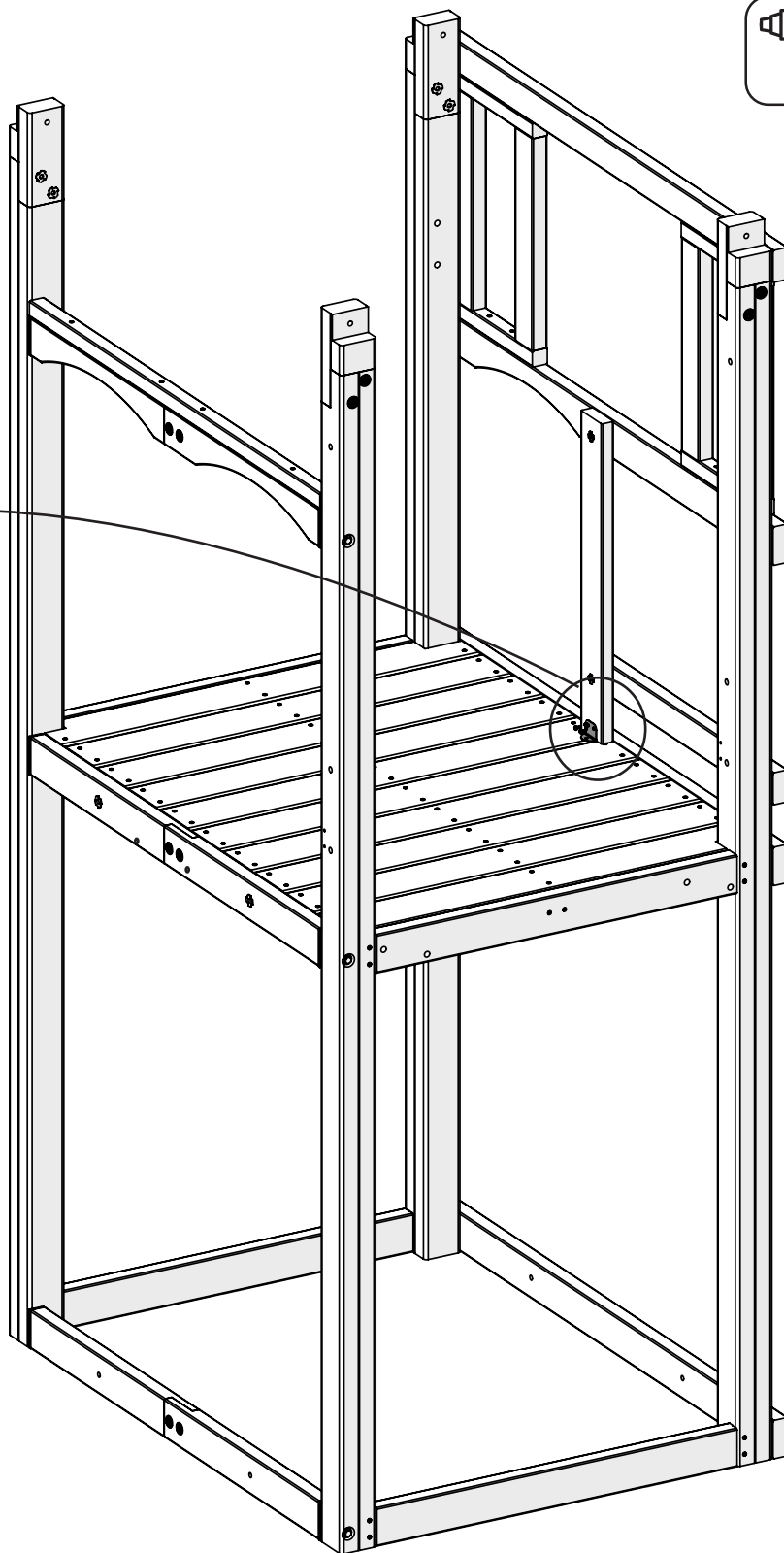
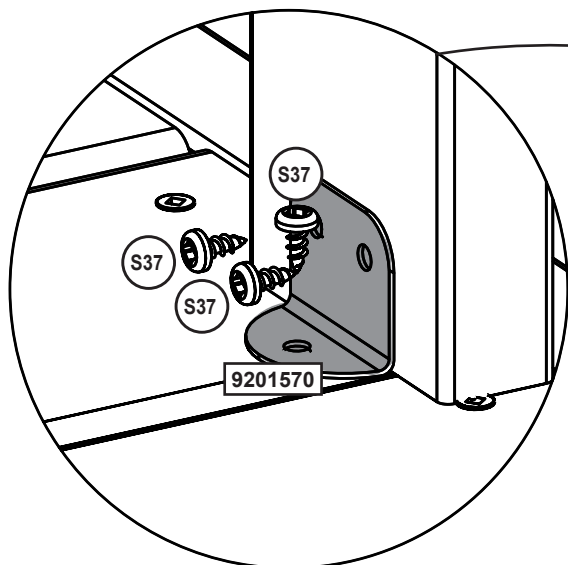
- 1 x WL5 6.4mm x 63.5 mm (1/4 x 2-1/2")(FW2)
- 2 x H10 6.4mm x 57.2 mm (1/4 x 2-1/4")(FW1, LW1, TN1)



parts.kidkraft.com

customerservice@kidkraft.com  
1.800.933.0771  
972.385.0100

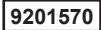
18



**Hardware**

3 x  #7 x 15.87mm (#7 x 5/8")

**Other Parts**

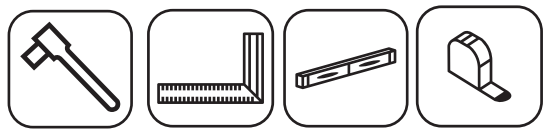
1 x 

europecustomerservice@kidkraft.com  
+31 20 305 8620  
M-F from 09:00 to 17:30 (GMT+1)

parts.kidkraft.eu

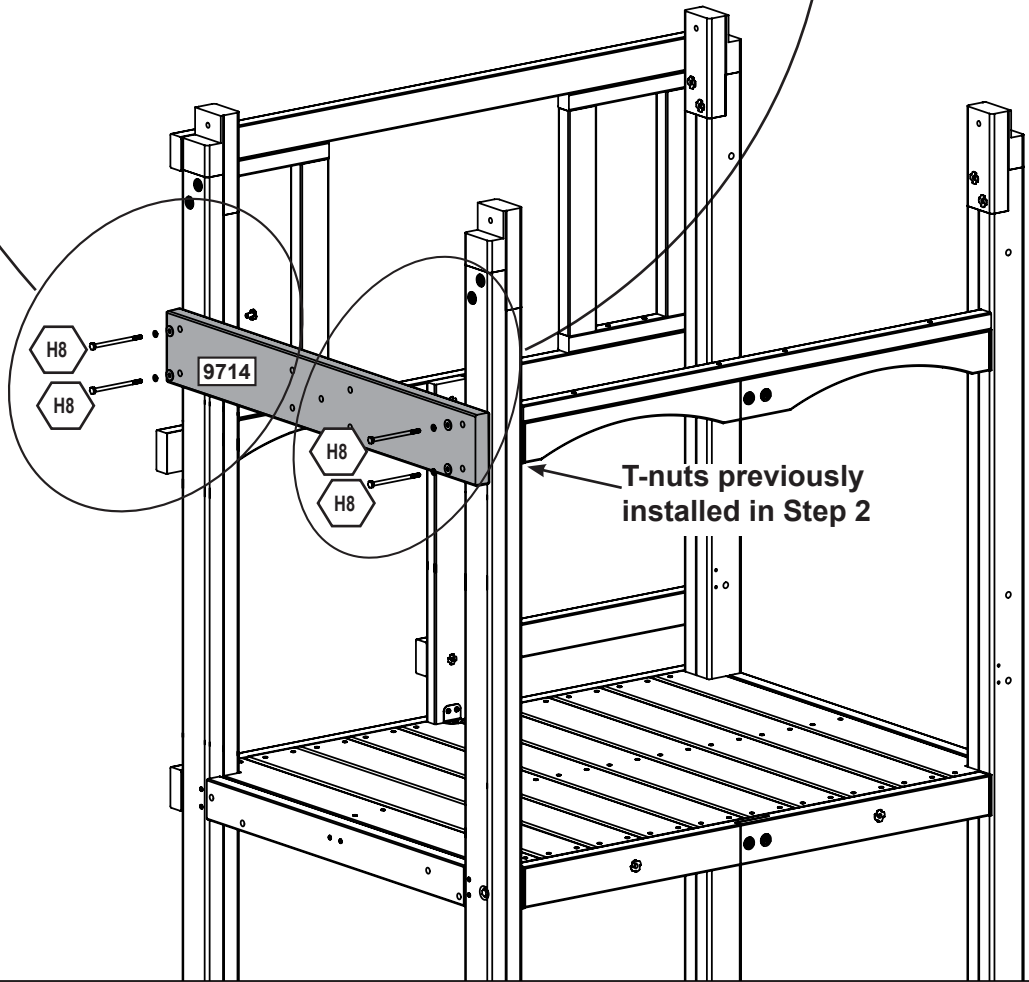
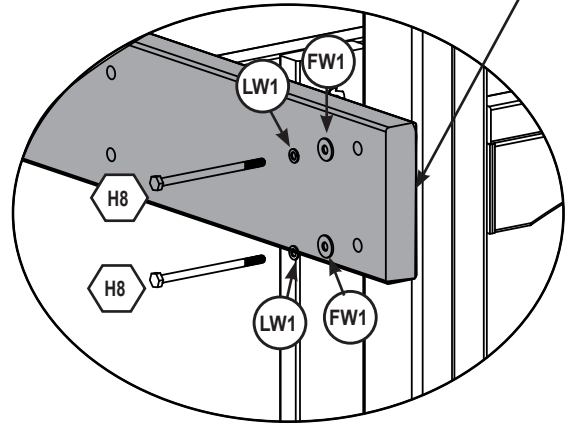
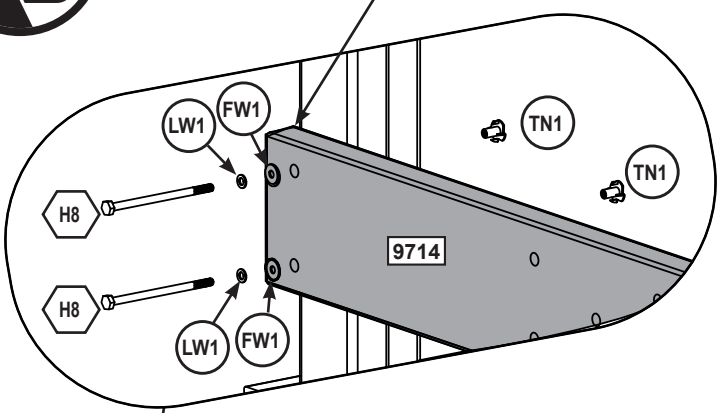


Keep 9714 square



Flush

Flush



**Wood Parts**

1 x 9714 31.8 x 133.4 x 914.4 mm (1-1/4" x 5-1/4" x 36")

**Hardware**

2 x H8 6.4mm x 108mm (1/4 x 4-1/4")(FW1, LW1, TN1)

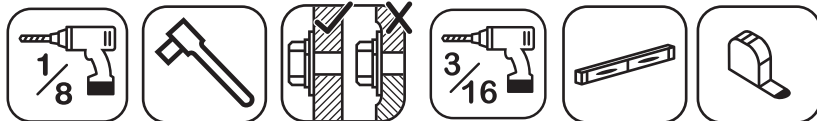
2 x H8 6.4mm x 108mm (1/4 x 4-1/4")(FW1, LW1)



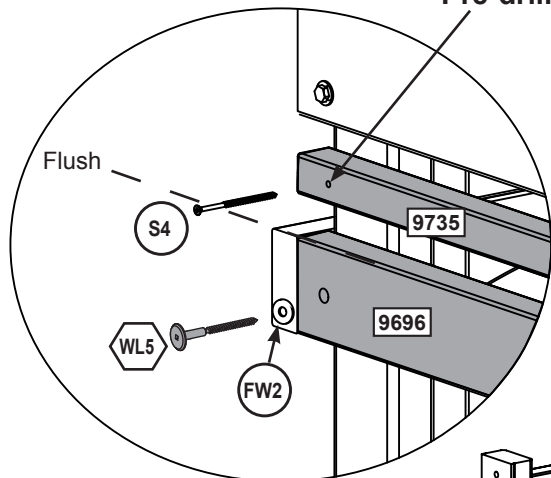
parts.kidkraft.com

customerservice@kidkraft.com  
1.800.933.0771  
972.385.0100

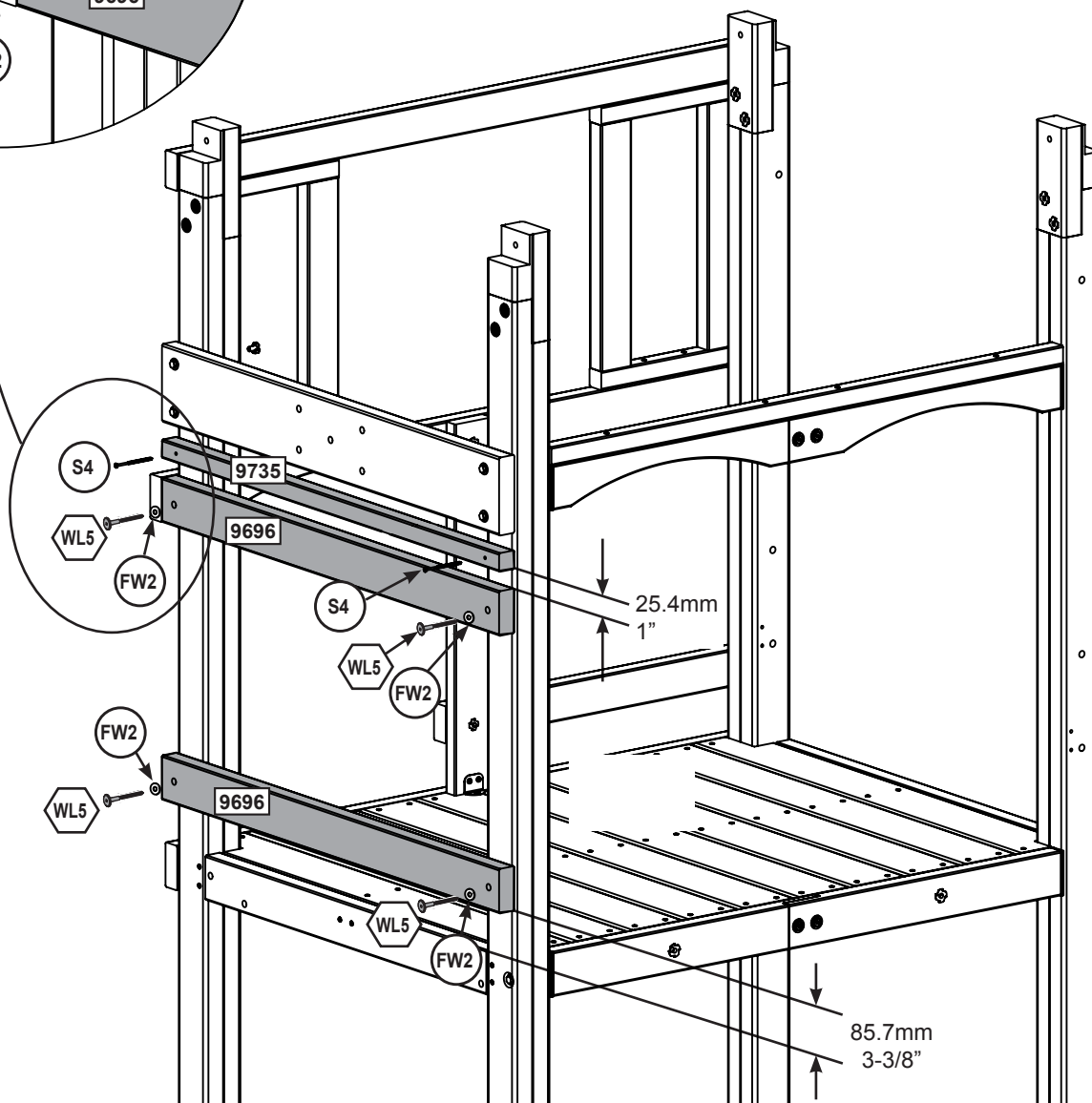




Pre-drill hole using the 1/8" drill bit (2)



Pre-drill each hole using a 3/16" drill bit for WL5.



**Wood Parts**

- 1 x **9735** 31.8 x 31.8 x 914.4 mm (1-1/4" x 1-1/4" x 36")
- 2 x **9696** 31.8 x 76.2 x 914.4 mm (1-1/4" x 3" x 36")

**Hardware**

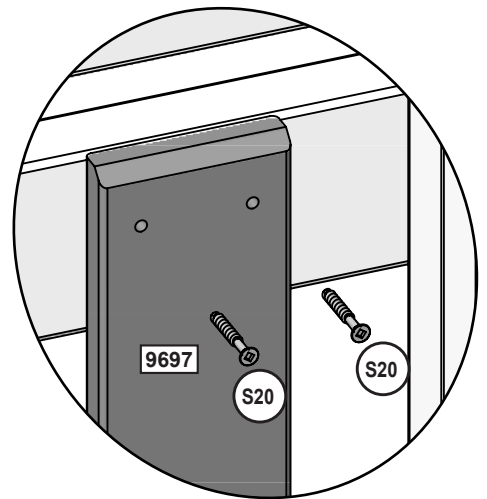
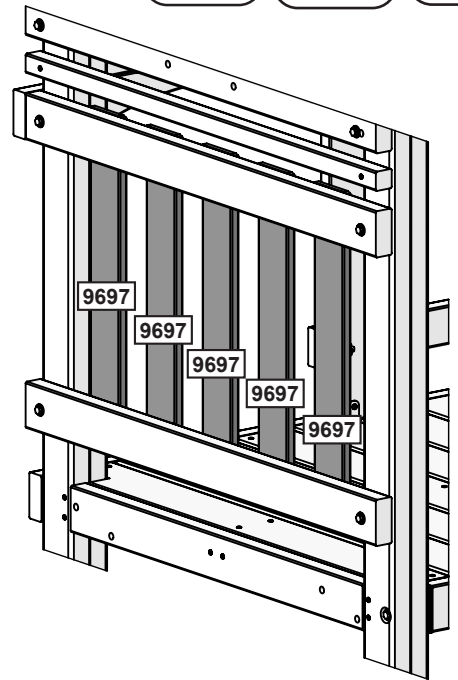
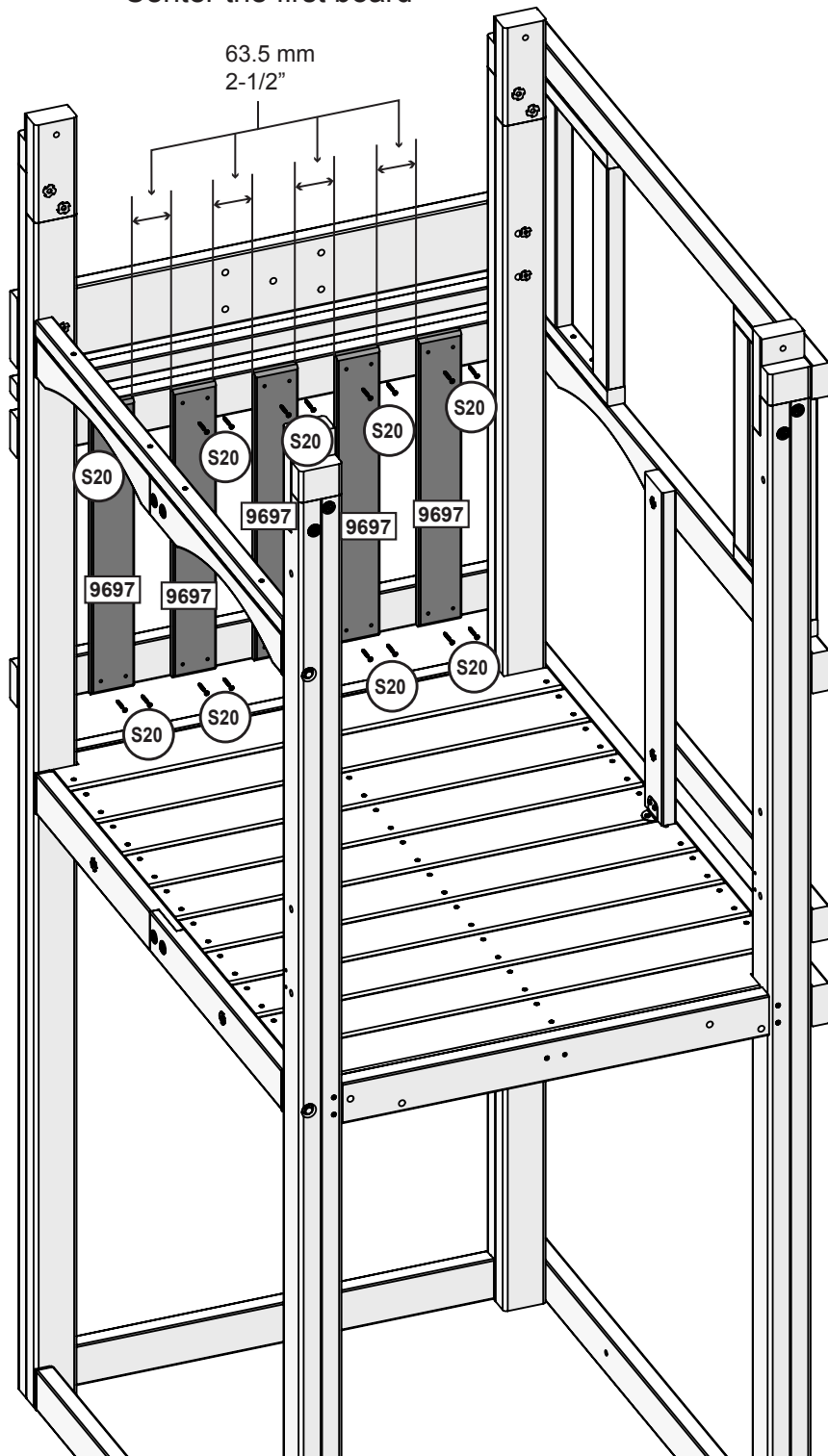
- 4 x **WL5** 6.4mm x 63.5 mm (1/4 x 2-1/2") (FW2)
- 2 x **S4** #8 x 76.2mm (#8 x 3")





Center the first board

63.5 mm  
2-1/2"



beveled edge faces out

**Wood Parts**

5 x **9697** 15.9 x 76.2 x 549.0 mm (5/8" x 3" x 21-5/8")

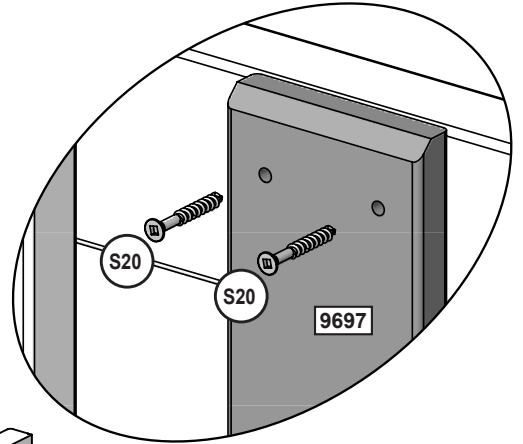
**Hardware**

20 x **S20** #8 x 35mm (#8 x 1-3/8")

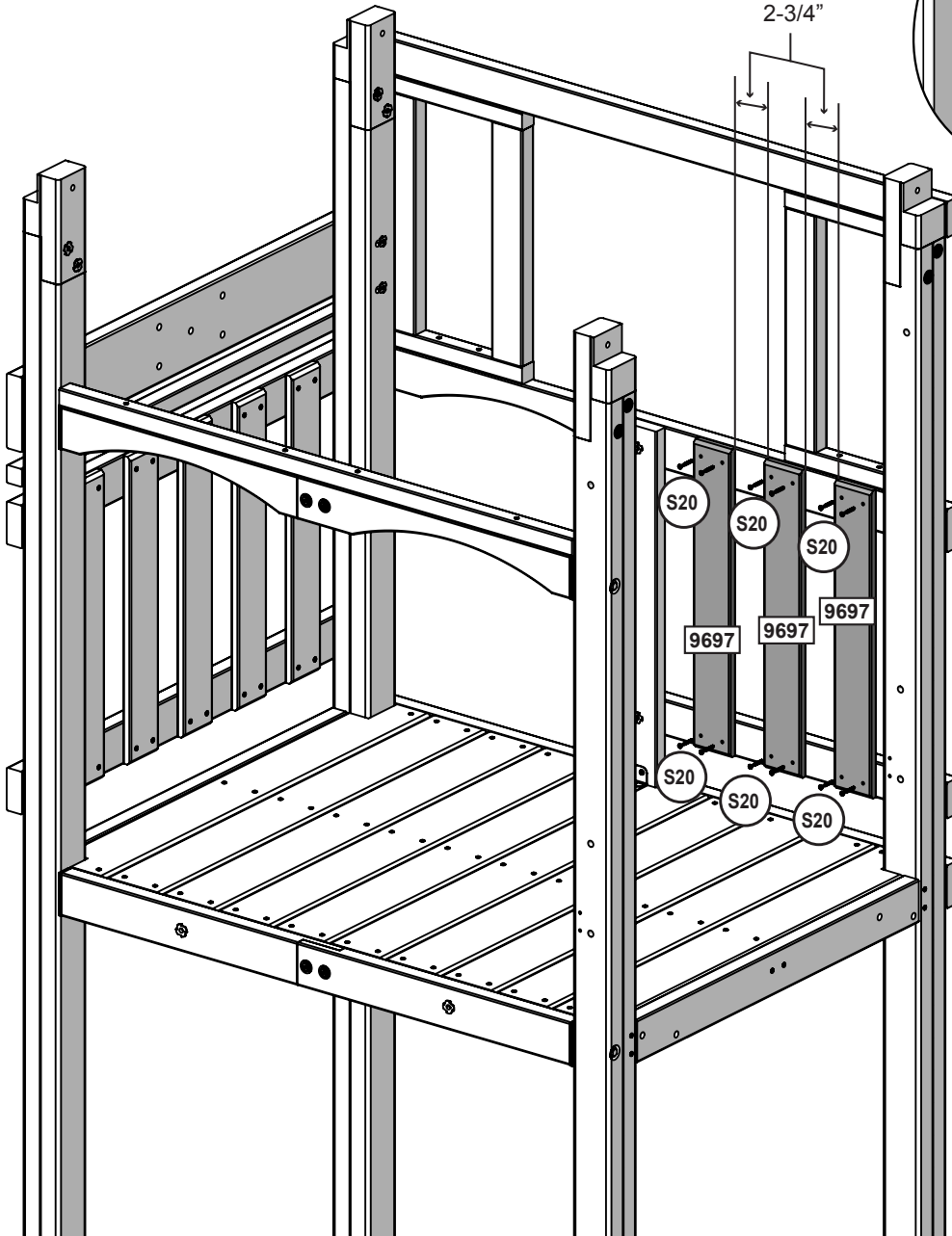


Center the first board

70 mm  
2-3/4"



beveled edge faces out



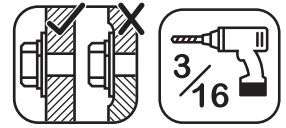
**Wood Parts**

3 x 9697 15.9 x 76.2 x 549.0 mm (5/8" x 3" x 21-5/8")

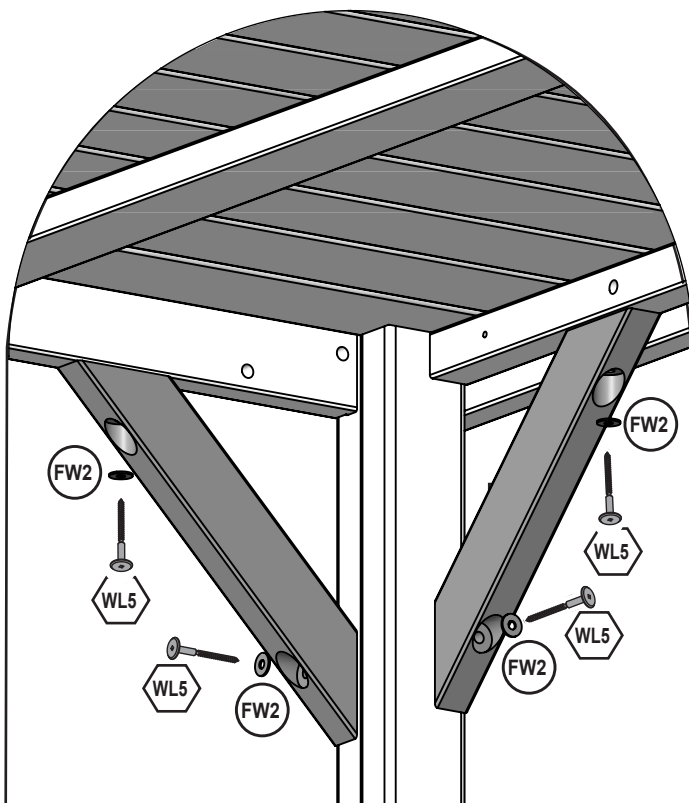
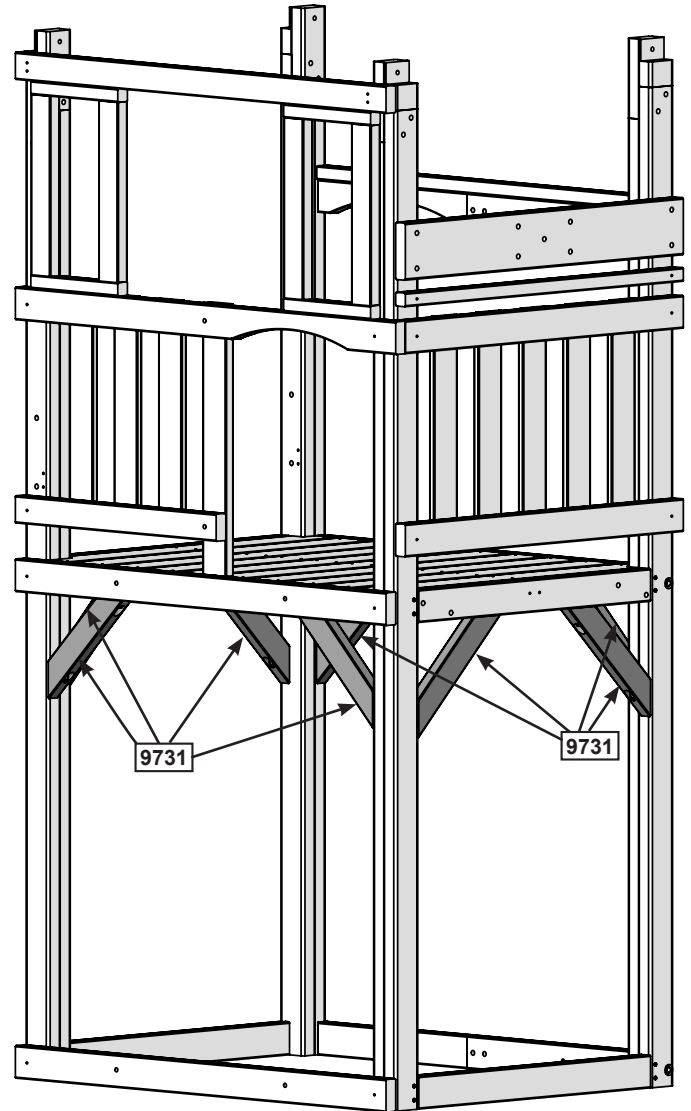
**Hardware**

12 x S20 #8 x 35mm (#8 x 1-3/8")





Pre-drill each hole using a 3/16" drill bit.

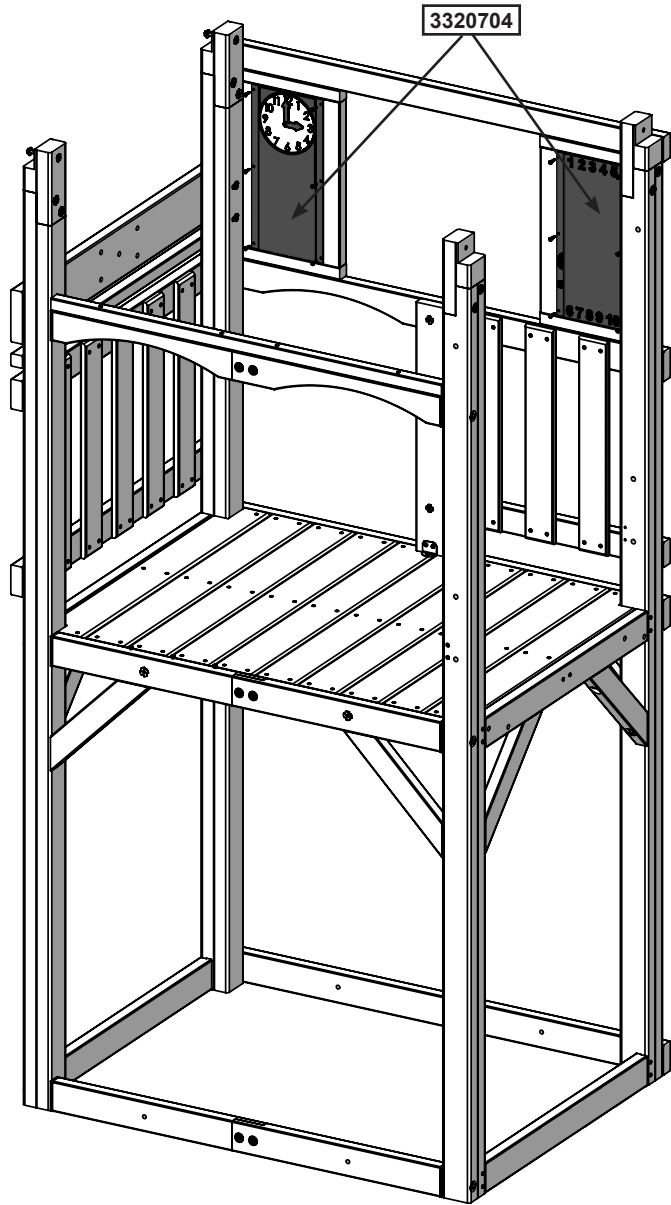
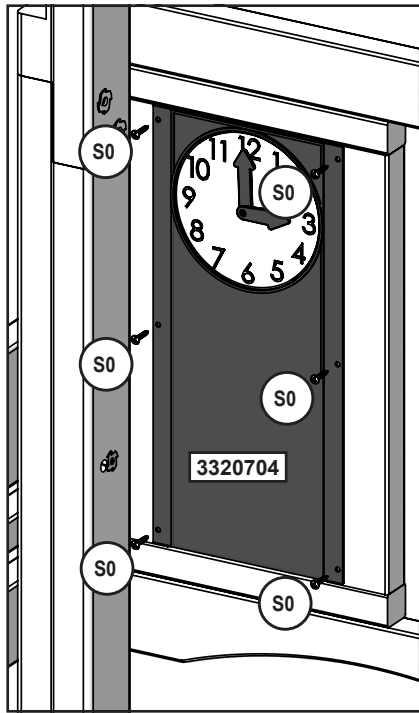


**Wood Parts**

8 x **9731** 31.8 x 63.5 x 381.0 mm (1-1/4" x 2-1/2" x 15")

**Hardware**


16 x **WL5** 6.4mm x 63.5 mm (1/4 x 2-1/2")(FW2)



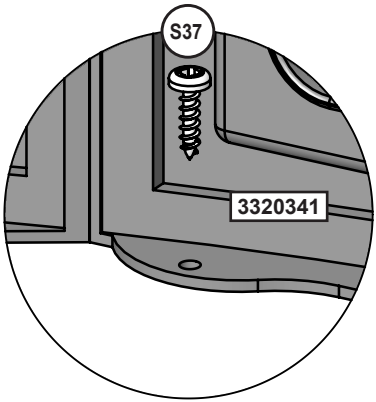
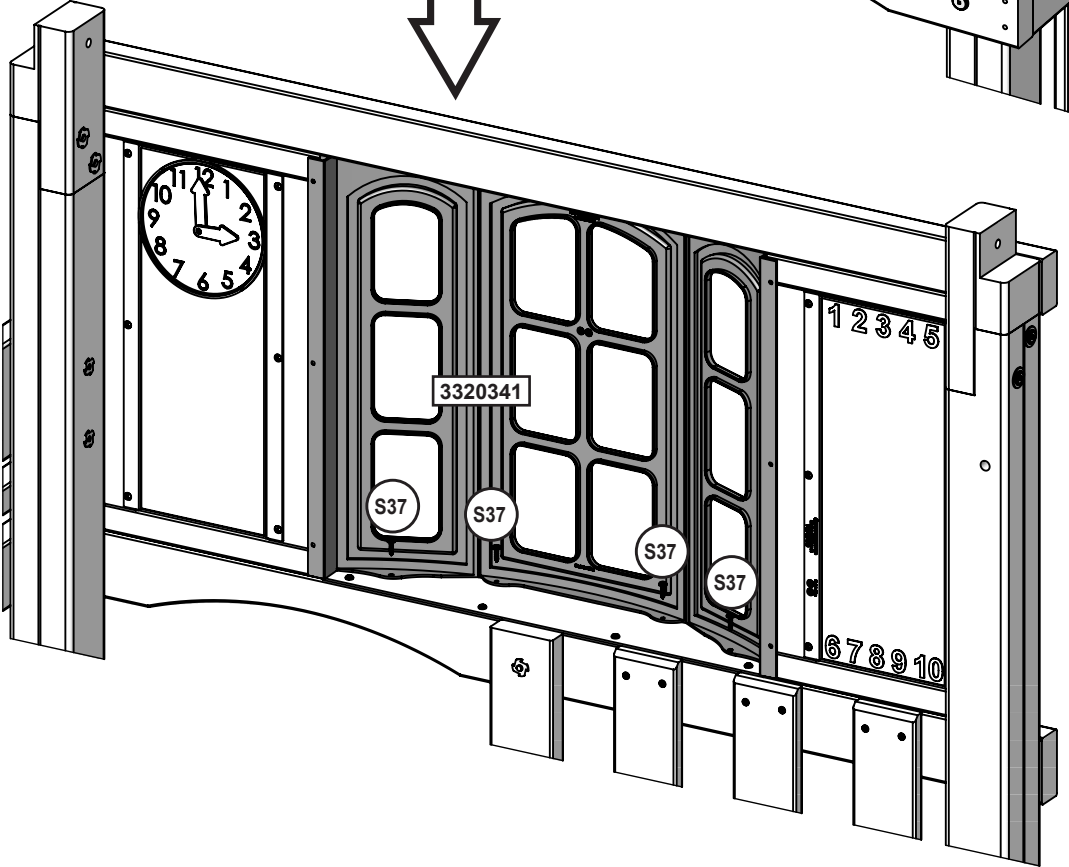
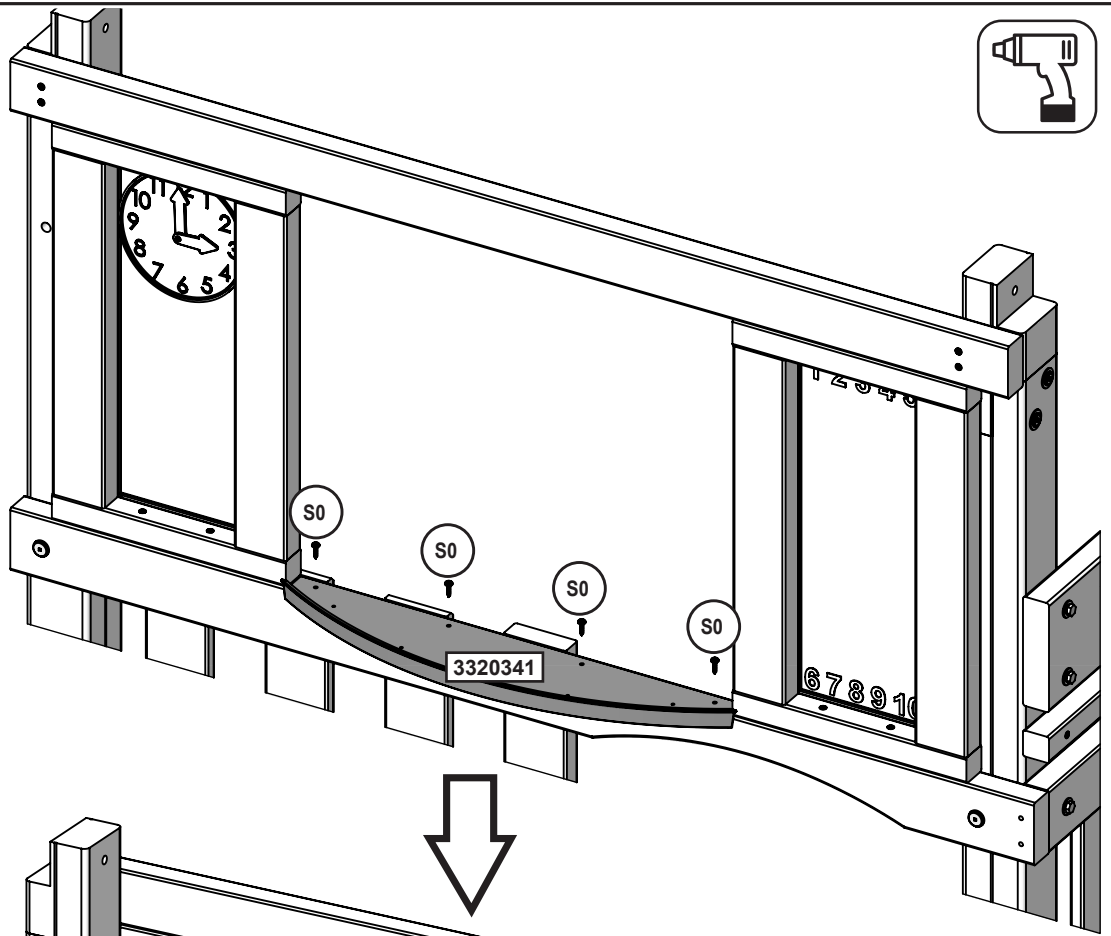
**Hardware**

12 x  #8 x 22.2mm (#8 x 7/8")

**Other Parts**

2 x 





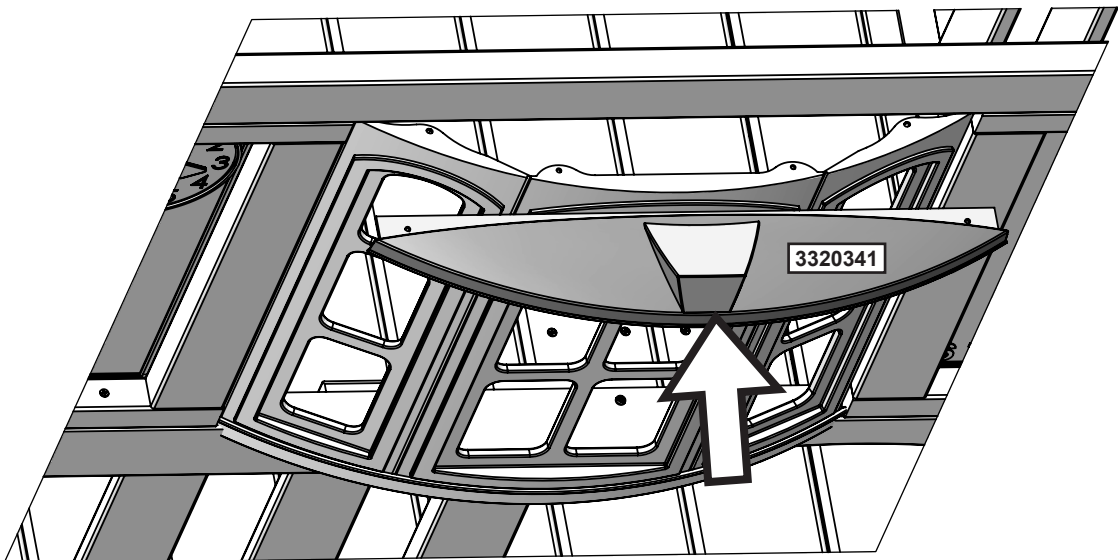
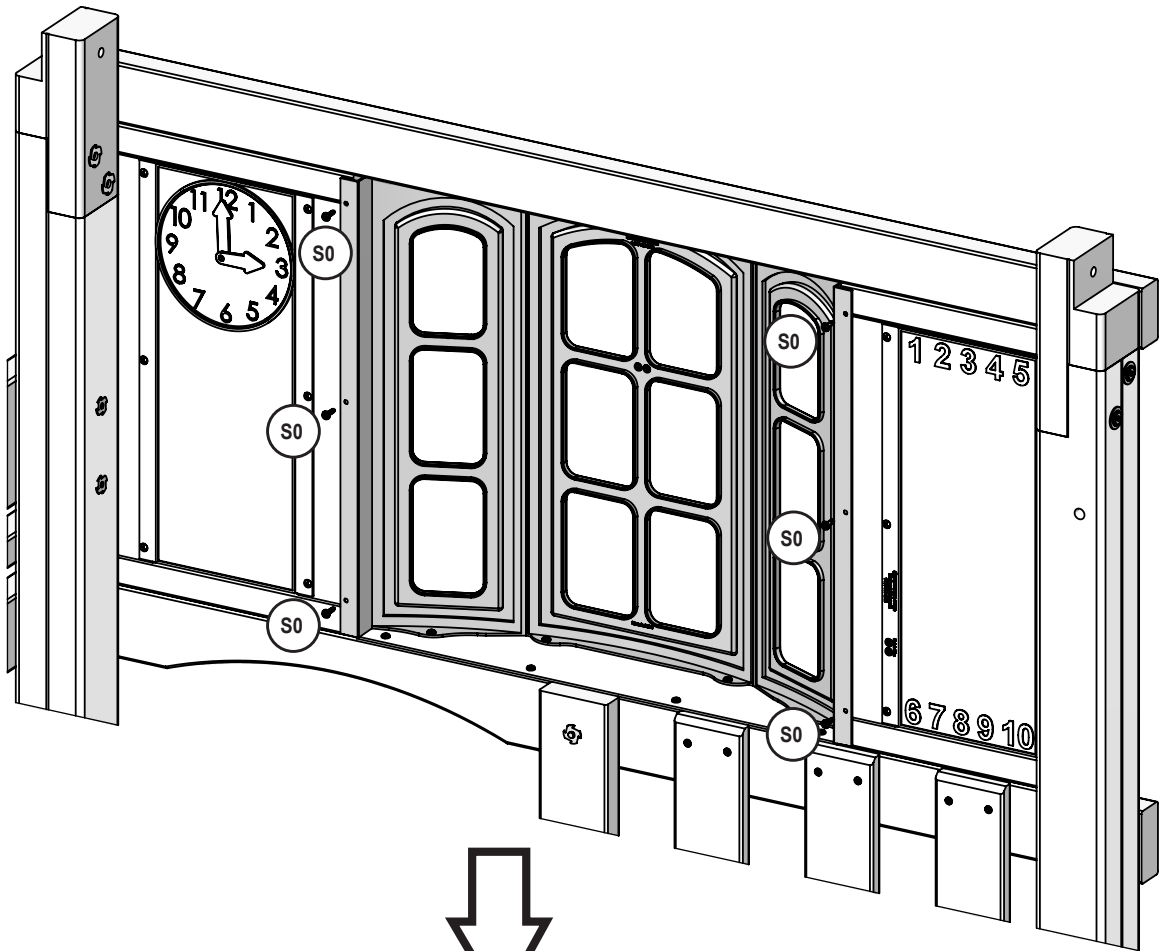
**Hardware**

4 x (S37) #7 x 15.87mm (#7 x 5/8")

4 x (S0) #8 x 22.2mm (#8 x 7/8")

**Other Parts**

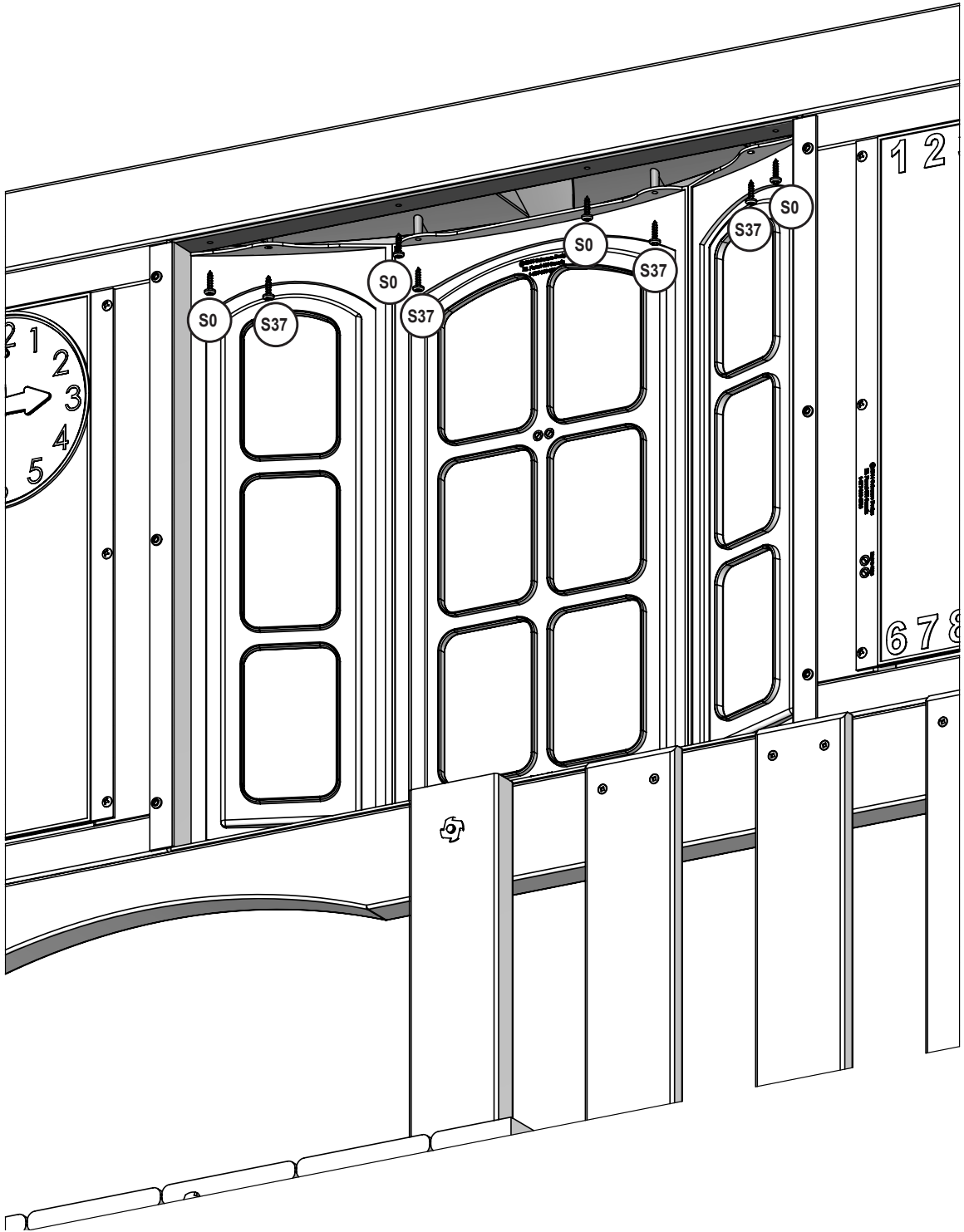
1 x 3320341



**Hardware**

6 x  #8 x 22.2mm (#8 x 7/8")



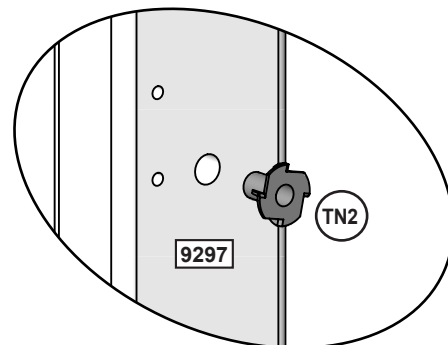
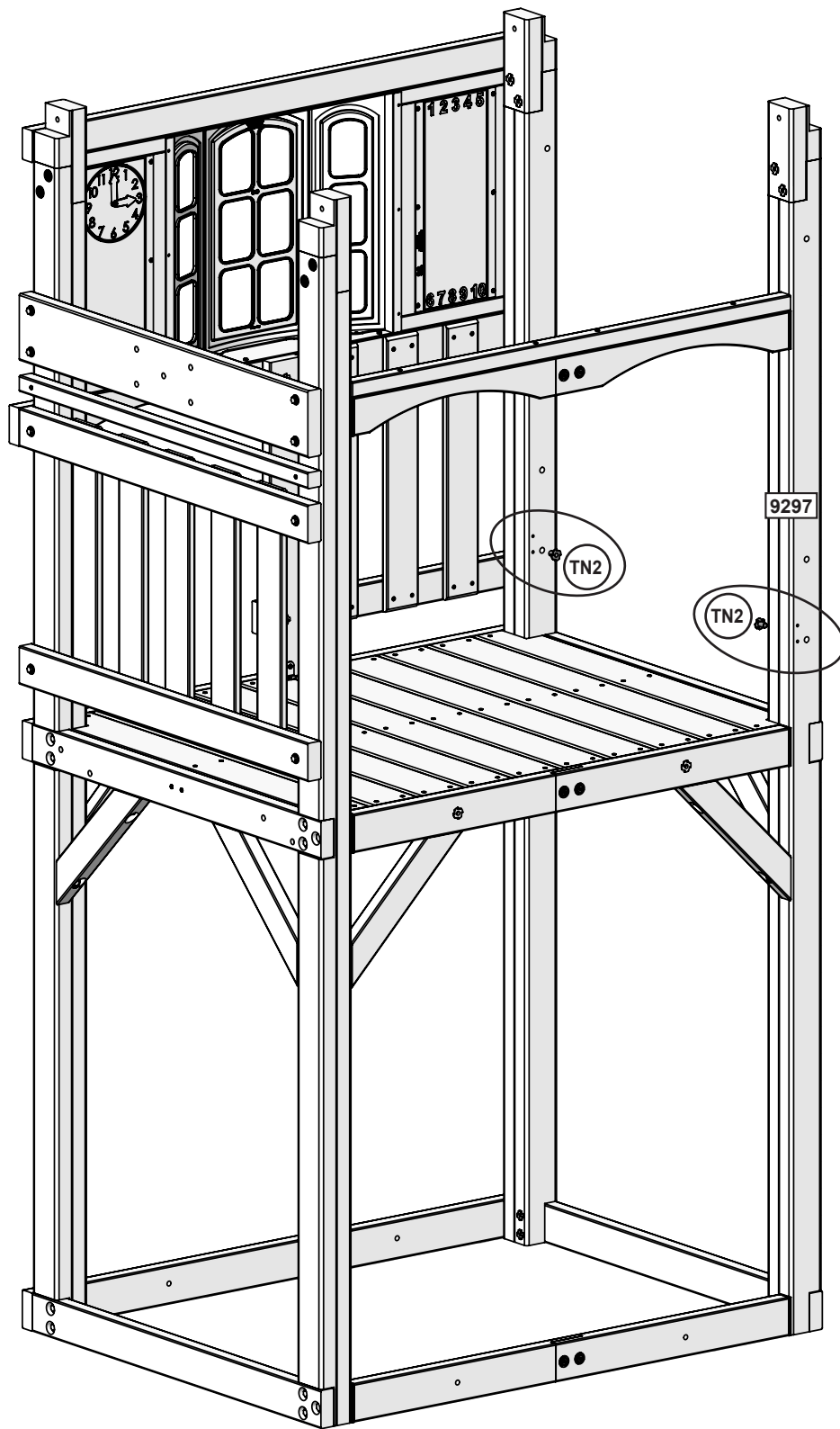


**Hardware**

4 x  #7 x 15.87mm (#7 x 5/8")

4 x  #8 x 22.2mm (#8 x 7/8")

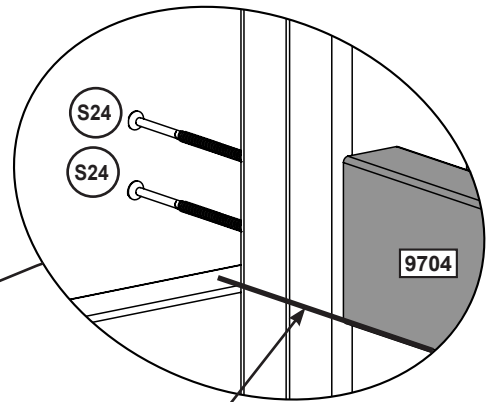
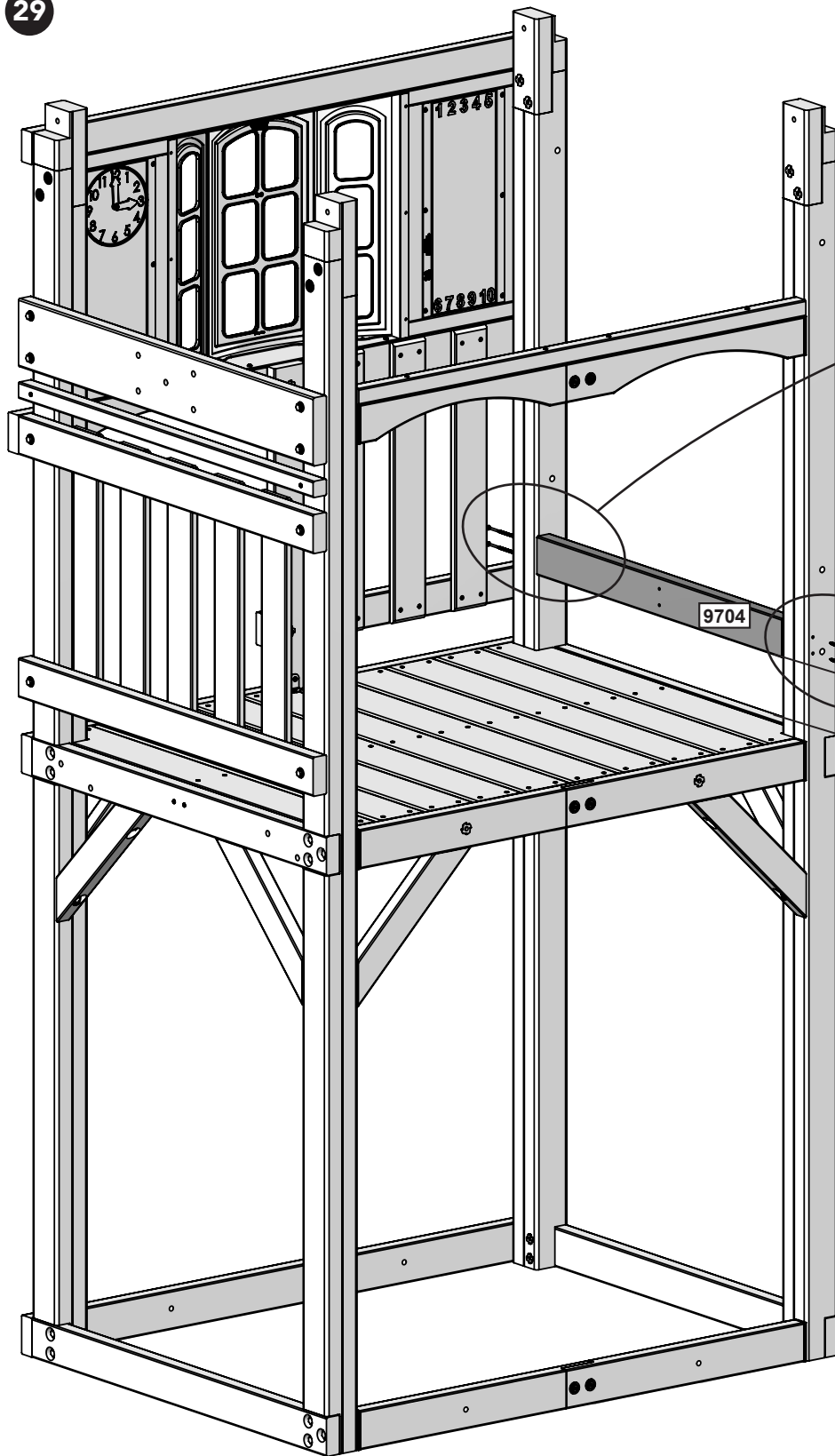




**Hardware**

2 x 



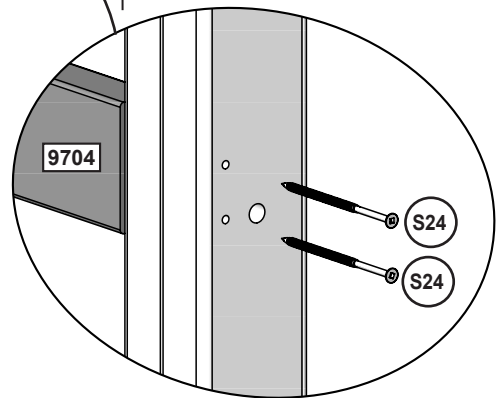


Flush

9704

S24

143 mm  
5-5/8"



9704

S24

S24

**Wood Parts**

1 x 9704 31.8 x 76.2 x 759.9 mm (1-1/4" x 3" x 29-15/16")

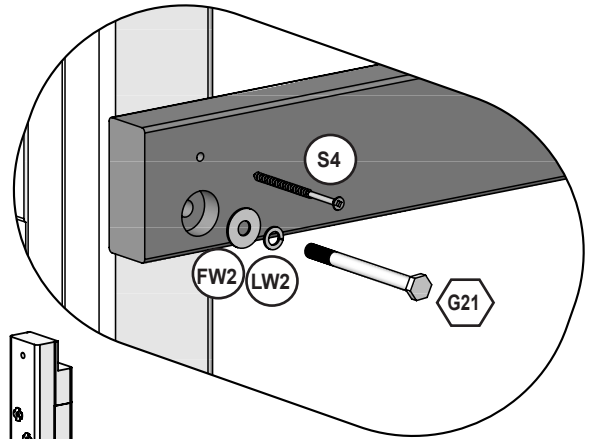
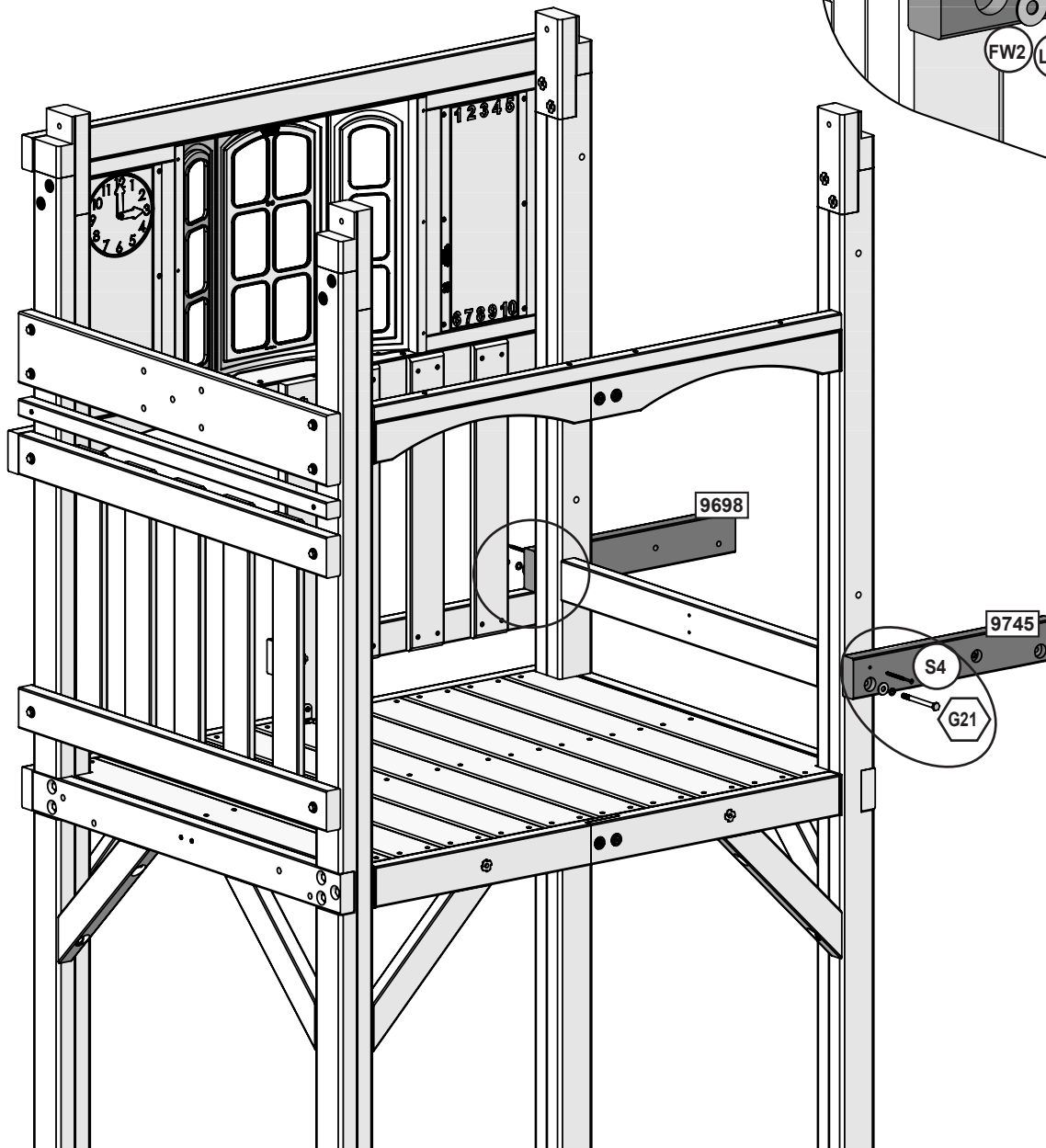
**Hardware**

4 x S24 #10 x 101.6mm (#10 x 4")



parts.kidkraft.com

customerservice@kidkraft.com  
1.800.933.0771  
972.385.0100



**Wood Parts**

- 1 x **9698** 31.8 x 76.2 x 457.2 mm (1-1/4" x 3" x 18")
- 1 x **9745** 31.8 x 76.2 x 457.2 mm (1-1/4" x 3" x 18")

**Hardware**

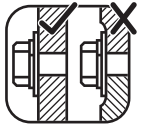
- 2 x **G21** 7.9mm x 95 mm (5/16 x 3-3/4") ( LW2,FW2)
- 2 x **S4** #8 x 76.2mm (#8 x 3")

europecustomerservice@kidkraft.com  
 +31 20 305 8620  
 M-F from 09:00 to 17:30 (GMT+1)

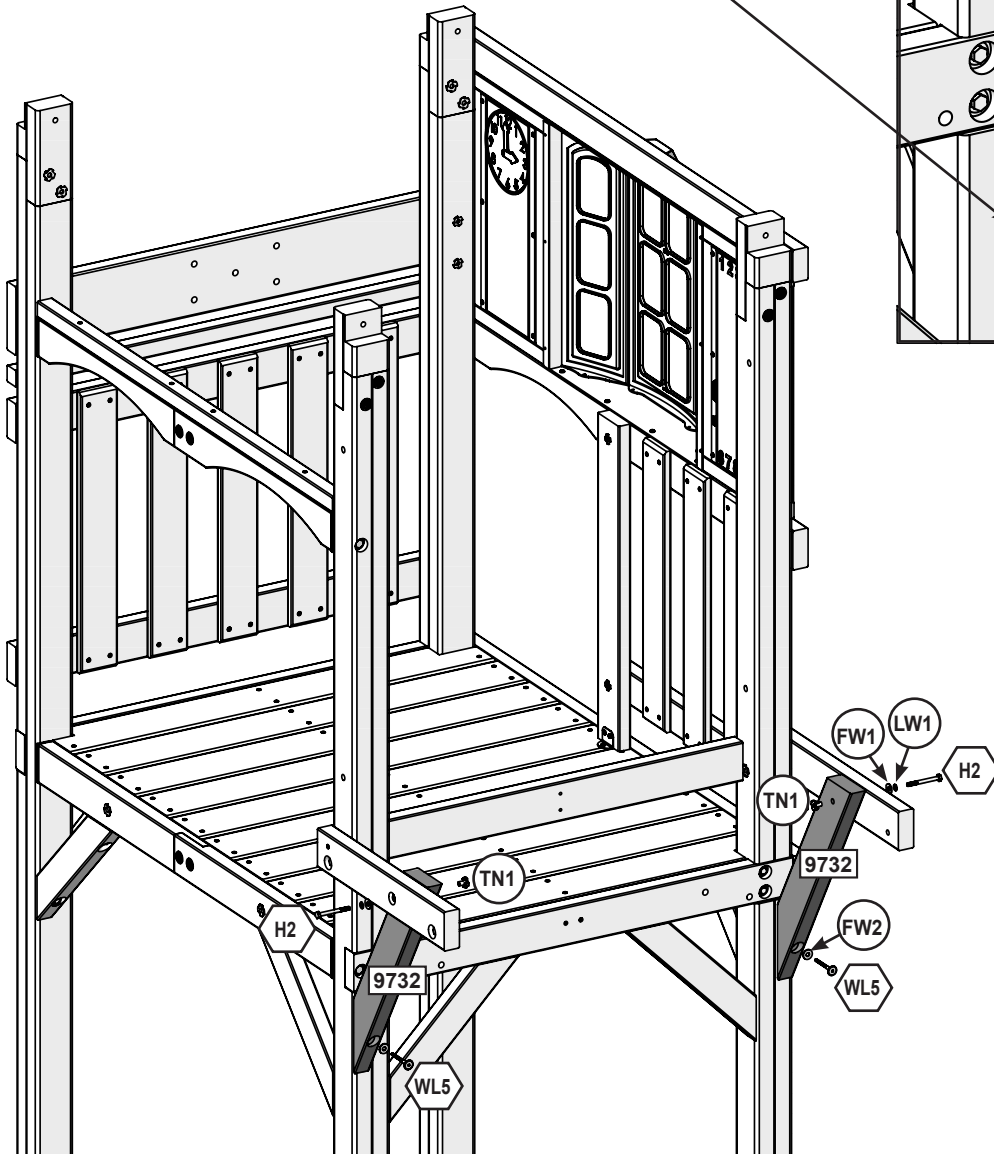
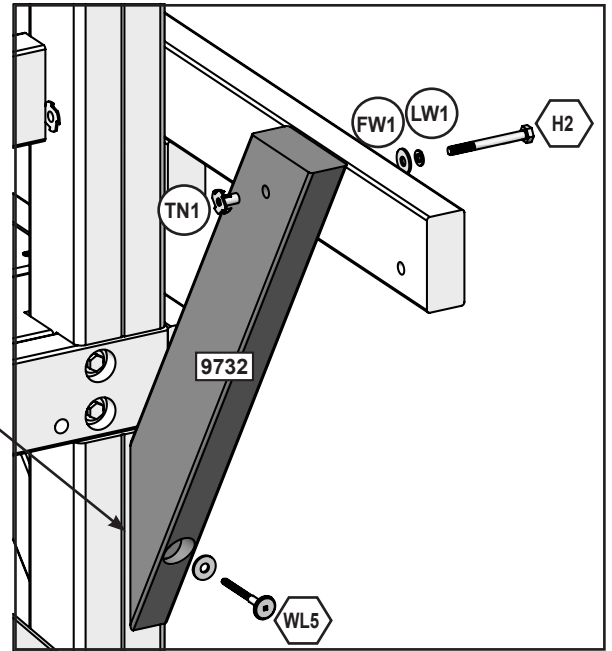
parts.kidkraft.eu



Assemble T-Nuts first with hammer!



Pre-drill each hole using a 3/16" drill bit.



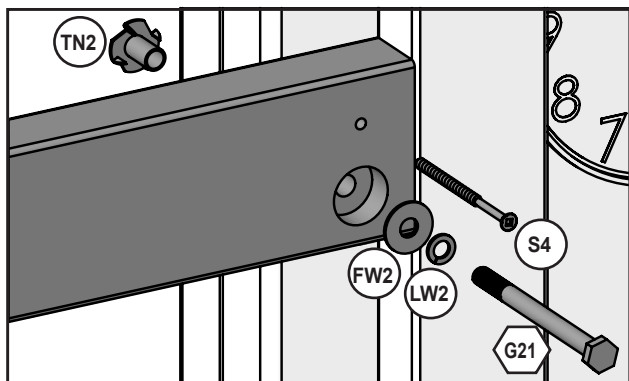
**Wood Parts**

2 x **9732** 31.8 x 76.2 x 530.0 mm (1-1/4" x 3" x 20 7/8")

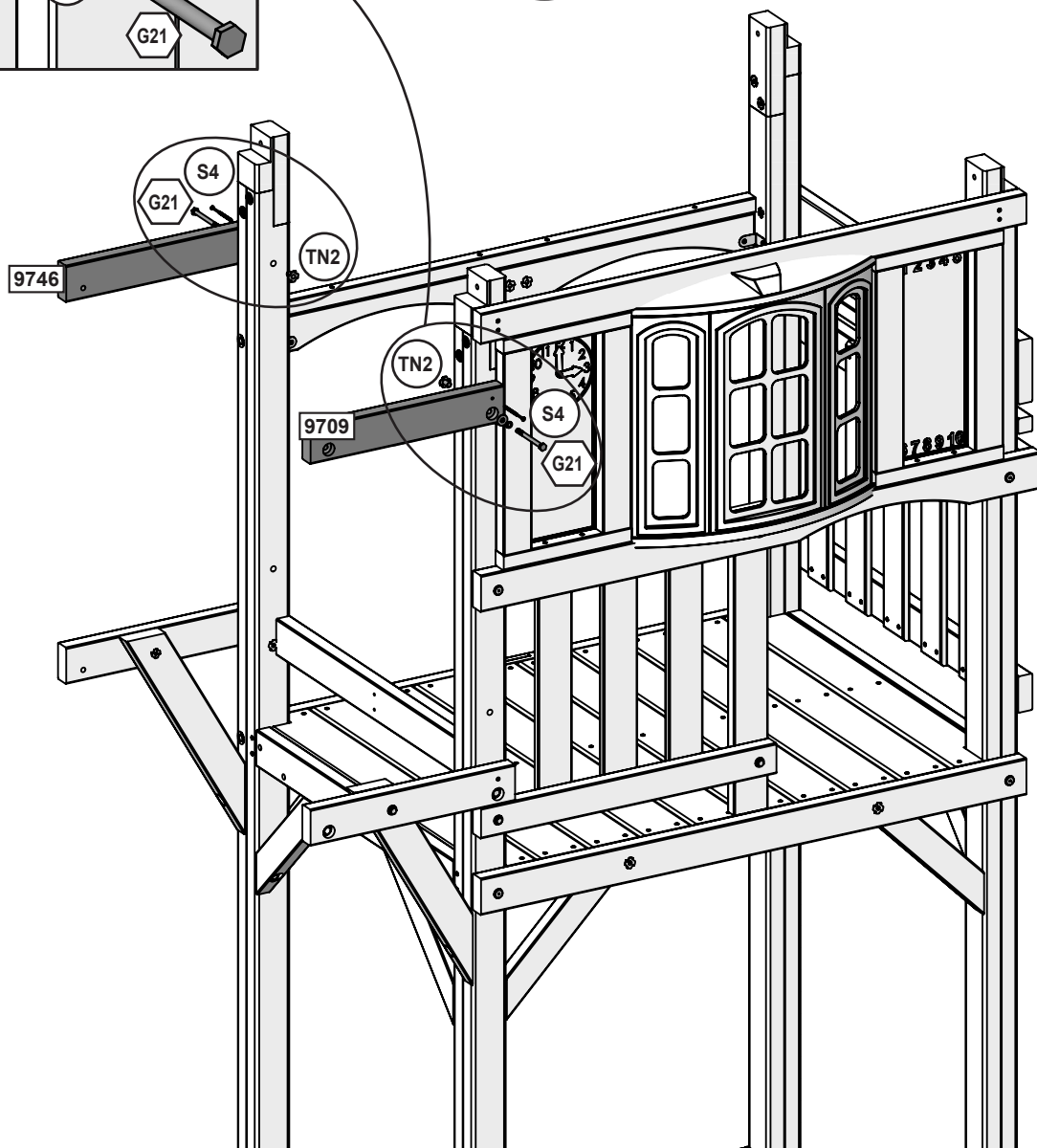
**Hardware**

2 x **WL5** 6.4mm x 63.5 mm (1/4 x 2-1/2")(FW2)

2 x **H2** 6.4mm x 50.8mm (1/4 x 2")(FW1, LW1, TN1)



Assemble T-Nuts first with hammer!



**Wood Parts**

- 1 x 9709 31.8 x 76.2 x 431.8 mm (1-1/4" x 3" x 17")
- 1 x 9746 31.8 x 76.2 x 457.2 mm (1-1/4" x 3" x 18")

**Hardware**

- 2 x G21 7.9mm x 95 mm (5/16 x 3-3/4") ( LW2, FW2 , TN2)
- 2 x S4 #8 x 76.2mm (#8 x 3")

europecustomerservice@kidkraft.com  
 +31 20 305 8620  
 M-F from 09:00 to 17:30 (GMT+1)

parts.kidkraft.eu

