

F29450E

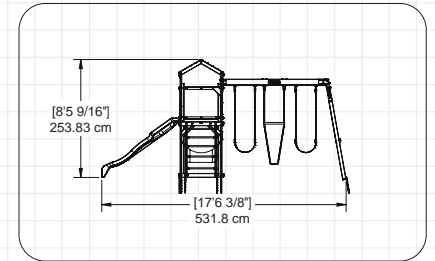
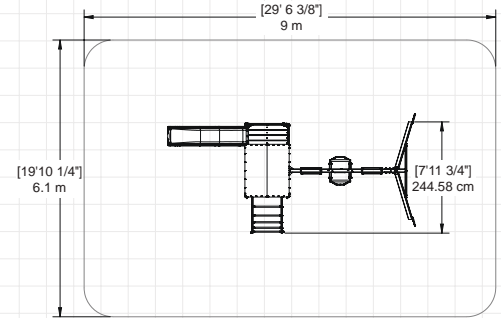
HIDEAWAY HAVEN PLAYSET

OBSTACLE FREE SAFETY ZONE - 29'-6 3/8" x 19'-10 1/4" x 15'-1 1/8" (9 m x 6.1 m x 4.6 m) area requires Protective Surfacing. See page 4.

MAXIMUM VERTICAL FALL HEIGHT - 102 3/8" (2.6 m).

CAPACITY - 9 Users Maximum, Ages 3 to 10; Weight Limit 110 lbs. (50 kg) per child.

RESIDENTIAL HOME USE ONLY. Not intended for public areas such as multi-unit residences, schools, churches, nurseries, day cares or parks.



INSTALLATION AND OPERATING INSTRUCTIONS

FOR 24/7 ONLINE PARTS REPLACEMENT

parts.kidkraft.com

KidKraft, Inc.
4630 Olin Road
Dallas, Texas 75244
USA

customerservice@kidkraft.com

1.800.933.0771
972.385.0100

parts.kidkraft.eu

KidKraft Netherlands BV
Olympisch Stadion 8
1076 DE Amsterdam
The Netherlands

europcustomerservice@kidkraft.com

+31 20 305 8620
M-F from 09:00 to 17:30 (GMT+1)

9409450E

Rev 04/14/2023



⚠️ WARNING

To reduce the risk of serious injury or death, please read and follow these instructions. Keep and refer to instructions as needed and pass along to any future owners of this item.

Congratulations on purchasing a KidKraft product!

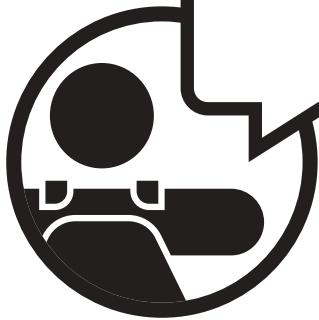
**Our items are made of high-quality,
durable Cunninghamia Lanceolata wood
from the cypress family.**

**Lumber from these trees are known for
their light weight and excellent strength.
The porosity of this wood allows the
moisture to absorb and evaporate in the
fibers, resisting rot and bugs.**

**Engineered for great play, our products
also go through extensive testing for safety.**

**Plus, our team has developed a series of
proprietary methods for a simpler, more
organized assembly. Less build time and
more play time is our motto!**

**However, during assembly if you have any
questions or concerns, please reach out.
Our Customer Service can help with missing
parts, instructions or maintenance.**



Warnings and Safe Play Instructions



CONTINUOUS ADULT SUPERVISION REQUIRED. Most serious injuries and deaths on playground equipment have occurred while children were unsupervised! Our products are designed to meet mandatory and voluntary safety standards. Complying with all warnings and recommendations in these instructions will reduce the risk of serious or fatal injury to children using this play system. Go over the warnings and safe play instructions regularly with your children and make certain that they understand and follow them. Remember on-site adult supervision is required for children of all ages.



WARNING

SERIOUS HEAD INJURY HAZARD

Installation over concrete, asphalt, dirt, grass, carpet and other hard surface creates a risk of serious injury or death from falls to the ground. Install and maintain shock absorbing material under and around play-set as recommended on page 3 of these instructions.

COLLISION HAZARD

Place play-set on level ground at least 2m from any obstruction such as a garage or house, fences, poles, trees, sidewalks, walls, landscape timbers, rocks, pavement, planters, garden borders, overhanging branches, laundry lines, and electrical wires. (See OBSTACLE FREE SAFETY ZONE on cover)

CHOKING HAZARD/SHARP EDGES & POINTS

Adult assembly required. This product contains small parts and parts with sharp edges and points. Keep parts away from children until fully assembled.

WARNING LABEL

Owners shall be responsible for maintaining the legibility of the warning labels.

STRANGULATION HAZARD

- NEVER allow children to play with ropes, clotheslines, pet leashes, cables, chains or cord-like items when using this play-set or to attach these items to play-set.
- NEVER allow children to wear loose fitting clothing, ponchos, hoods, scarves, capes, necklaces, items with draw-strings, cords or ties when using this play-set.
- NEVER allow children to wear bike or sport helmets when using this play-set.

Failure to prohibit these items, even helmets with chin straps, increases the risk of serious injury and death to children from entanglement and strangulation.

TIP OVER HAZARD

Choose a level location for the equipment. This can reduce the likelihood of the play set tipping over and loose-fill surfacing materials washing away during heavy rains.

DO NOT allow children to play on the play-set until the assembly is complete and the unit is properly anchored.

Never add extra length to chain or rope. The chains or ropes provided are the maximum length designed for the swinging element(s).



WARNING – Safe Play Instructions

- ✓ Observe capacity limitations of your play-set. See front cover.
- ✓ Dress children with well fitting and full foot enclosing footwear.
- ✓ Teach children to sit with their full weight in the center of the swing seat to prevent erratic swing motion or falling off.
- ✓ Check for splintered, broken or cracked wood; missing, loose, or sharp edged hardware. Replace, tighten and or sand smooth as required prior to playing.
- ✓ Verify that suspended climbing ropes, rope ladders, chain or cable are secured at both ends and cannot be looped back on itself as to create an entanglement hazard.
- ✓ On sunny and or hot days, check the slide and other plastic rides to assure that they are not very hot as to cause burns. Cool hot slide and rides with water and wipe dry prior to using.
- ✓ Orientate slide such that it gets the least amount of exposure to the sun.
- ✗ Do not allow children to wear open toe or heel footwear like sandals, flip-flops or clogs.
- ✗ Do not allow children to walk, in front, between, behind or close to moving rides.
- ✗ Do not let children twist swing chains or ropes or loop them over the top support bar. This may reduce the strength of the chain or rope and cause premature failure.
- ✗ Do not let children get off rides while they are in motion.
- ✗ Do not permit climbing on equipment when it is wet.
- ✗ Do not permit rough play or use of equipment in a manner for which it was not intended. Standing on or jumping from the roof, elevated platforms, swings, climbers, ladders or slide can be dangerous.
- ✗ Do not allow children to swing empty rides or seats.
- ✗ Do not allow children to go down slide head first or run up slide.



⚠️ Protective Surfacing - Reducing Risk of Serious Head Injury From Falls

One of the most important things you can do to reduce the likelihood of serious head injuries is to install shock-absorbing protective surfacing under and around your play equipment. The protective surfacing should be applied to a depth that is suitable for the equipment height in accordance with ASTM F1292. There are different types of surfacing to choose from; whichever product you select, follow these guidelines:

Loose-Fill Materials

- Maintain a minimum depth of 9 inches (23 cm) of loose-fill materials such as wood mulch/chips, engineered wood fiber (EWF), or shredded/recycled rubber mulch for equipment up to 8 feet (2.45 m) high; and 9 inches (23 cm) of sand or pea gravel for equipment up to 5 feet (1.5 m) high. NOTE: An initial fill level of 12 inches (31 cm) will compress to about a 9-inch (23 cm) depth of surfacing over time. The surfacing will also compact, displace, and settle, and should be periodically raked and refilled to maintain at least a 9-inch (23 cm) depth.
- Use a minimum of 6 inches (16 cm) of protective surfacing for play equipment less than 4 feet (1.22 m) in height. If maintained properly, this should be adequate. (At depths less than 6 inches (16 cm), the protective material is too easily displaced or compacted.)

NOTE: Do not install home playground equipment over concrete, asphalt, or any other hard surface. A fall onto a hard surface can result in serious injury to the equipment user. Grass and dirt are not considered protective surfacing because wear and environmental factors can reduce their shock absorbing effectiveness. Carpeting and thin mats are not adequate protective surfacing. Ground level equipment -- such as a sandbox, activity wall, playhouse or other equipment that has no elevated play surface -- does not need any protective surfacing.

- Use containment, such as digging out around the perimeter and/or lining the perimeter with landscape edging. Don't forget to account for water drainage.
- Periodically rake, check and maintain the depth of the loose-fill surfacing material. Marking the correct depth on the play equipment support posts will help you to see when the material has settled and needs to be raked and or replenished. Be sure to rake and evenly redistribute the surfacing in heavily used areas.
- Do not install loose fill surfacing over hard surfaces such as concrete or asphalt.

Poured-In-Place Surfaces or Pre-Manufactured Rubber Tiles

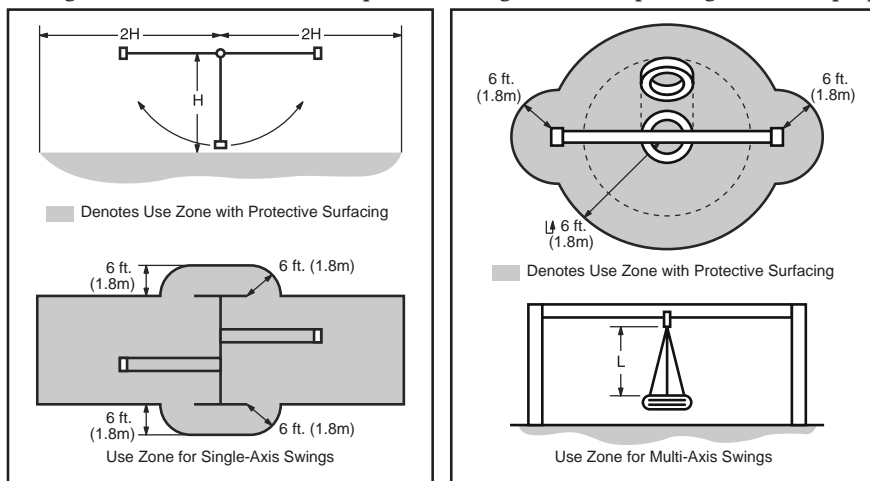
You may be interested in using surfacing other than loose-fill materials - like rubber tiles or poured-in-place surfaces.

- Installations of these surfaces generally require a professional and are not "do-it yourself" projects.
- Review surface specifications before purchasing this type of surfacing. Ask the installer/manufacturer for a report showing that the product has been tested to the following safety standard: ASTM F1292 *Standard Specification for Impact Attenuation of Surfacing Materials within the Use Zone of Playground Equipment*. This report should show the specific height for which the surface is intended to protect against serious head injury. This height should be equal to or greater than the fall height - vertical distance between a designated play surface (*elevated surface for standing, sitting, or climbing*) and the protective surfacing below - of your play equipment.
- Check the protective surfacing frequently for wear.

Placement

Proper placement and maintenance of protective surfacing is essential. Refer to diagram on front cover. Be sure to;

- Extend surfacing at least 6 feet (1.8 m) from the equipment in all directions.
- For to-fro swings, extend protective surfacing in front of and behind the swing to a distance equal to twice the height of the top bar from which the swing is suspended.
- For tire swings, extend surfacing in a circle whose radius is equal to the height of the suspending chain or rope, plus 6 feet (1.8 m) in all directions.



From the CPSC Outdoor Home Playground Safety Handbook. At <http://www.playgroundregs.com/resources/CPSC%20324.pdf>

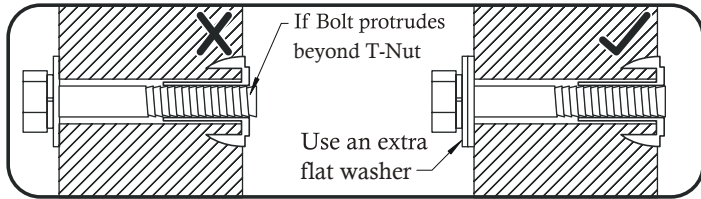
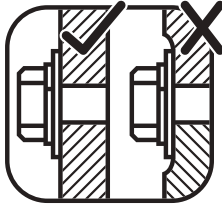
Instructions for Proper Maintenance

Your KidKraft Play System is designed and constructed of quality materials with your child's safety in mind. As with all outdoor products used by children, it will weather and wear. To maximize the enjoyment, safety and life of your Play Set, it is important that you, the owner, properly maintain it.

Check the following at the beginning of the play season:

HARDWARE:

- ✓ Check metal parts for rust. If found, sand and repaint using a non-lead paint complying with 16 CFR 1303.
- ✓ Inspect and tighten all hardware. On wood assemblies **DO NOT OVERTIGHTEN** as to cause crushing and splintering of wood.
- ✓ Check for sharp edges or protruding screw threads, add washers if required.



SHOCK ABSORBING SURFACING:

- ✓ Check for foreign objects. Rake and check depth of loose fill protective surfacing materials to prevent compaction and maintain appropriate depth. Replace as necessary. (See Protective Surfacing, page 3)

GROUND STAKES (ANCHORS):

- ✓ Check for looseness, damage or deterioration. Should firmly anchor unit to ground during use. Re-secure and or replace, if necessary.

SWING HANGERS:

- ✓ Check that bolts are secure and tight. Quick clips should be completely closed and threaded clips screwed tight.

- ✓ If squeaking occurs lubricate bushings with oil or WD-40®.

SWINGS, ROPES AND RIDES:

- ✓ Reinstall if removed during cold season. Check all moving parts including swing seats, ropes, chains and attachments for wear, rust and other deterioration. Replace as needed.
- ✓ Check that ropes are tight, secure at both ends and cannot loop back as to create an entrapment.

WOOD PARTS:

- ✓ Check all wood members for deterioration, structural damage and splintering. Sand down splinters and replace deteriorated wood members. As with all wood, some checking and small cracks in grain is normal.
- ✓ Applying a water repellent or stain (water-based) on a yearly basis is important maintenance to maintain maximum life and performance of the product.

Check twice a month during play season:

HARDWARE:

- ✓ Inspect for tightness. Must be firmly against, but not crushing the wood. **DO NOT OVERTIGHTEN.** This will cause splintering of wood.
- ✓ Check for sharp edges or protruding screw threads. Add washers if required.

SHOCK ABSORBING SURFACING:

- ✓ Rake and check depth of loose fill protective surfacing materials to prevent compaction and maintain appropriate depth. Replace as necessary. (See Protective Surfacing, page 3)

Check once a month during play season:

SWING HANGERS:

- ✓ Check that they are secure and orientated correctly. Hook should rotate freely and perpendicular to support beam.
- ✓ If squeaking occurs lubricate bushings with oil or WD-40®.

SWINGS AND RIDES:

- ✓ Check swing seats, all ropes, chains and attachments for fraying, wear, excessive corrosion or damage. Replace if structurally damaged or deteriorated.

Check at the end of the play season:

SWINGS AND RIDES:

- ✓ To prolong their life, remove swings and store inside when outside temperature is below 32°F/0°C. Below freezing, plastic parts may become more brittle.

SHOCK ABSORBING SURFACING:

- ✓ Rake and check depth of loose fill protective surfacing materials to prevent compaction and maintain appropriate depth. Replace as necessary. (See Protective Surfacing, page 3)

If you dispose of your play set: Please disassemble and dispose of your unit so that it does not create any unreasonable hazards at the time it is discarded. Be sure to follow your local waste ordinances.



About Our Wood

KidKraft Premium Play Systems uses only premium playset lumber, ensuring the safest product for your children's use. Although we take great care in selecting the best quality lumber available, wood is still a product of nature and susceptible to weathering which can change the appearance of your set.

What causes weathering? Does it affect the strength of my Play System?

One of the main reasons for weathering is the effects of water (moisture); the moisture content of the wood at the surface is different than the interior of the wood. As the climate changes, moisture moves in or out of the wood, causing tension which can result in checking and or warping. You can expect the following due to weathering. These changes will not affect the strength of the product:

1. **Checking** is surface cracks in the wood along the grain. A post 4" x 4" (101mm x 101mm) will experience more checking than a board 1" x 4" (25mm x 101mm) because the surface and interior moisture content will vary more widely than in thinner wood.
2. **Warping** results from any distortion (twisting, cupping) from the original plane of the board and often happens from rapid wetting and drying of the wood.
3. **Fading** happens as a natural change in the wood color as it is exposed to sun-light and will turn a grey over time.

How can I reduce the amount of weathering to my Play System?

At the factory we have coated the wood with a water repellent or stain. This coating decreases the amount of water absorption during rain or snow thus decreasing the tension in the wood. Sunlight will break down the coating, so we recommend applying a water repellent or stain on a yearly basis (see your local stain and paint supplier for a recommended product).

Most weathering is just the normal result of nature and will not affect safe play and enjoyment for your child. However if you are concerned that a part has experienced a severe weathering problem please call our consumer relations department for further assistance.

Complete and mail registration card to receive important product notifications and assure prompt warranty service.

KidKraft Limited Warranty

MISSING OR DAMAGED PARTS:

KidKraft will replace any parts within 90 days from date of purchase found to be missing from or damaged in the original packaging. See Fig.1

Fig. 1	<u>Product Age (All Parts)</u> 0-90 Days from date of purchase	<u>Consumer Pays</u> \$0 for Part + Free Shipping
--------	---	--

DEFECTS IN MATERIAL AND WORKMANSHIP:

KidKraft warrants that this product is free from defects in materials and workmanship for a period of one (1) year from the original date of purchase (dated sales receipt and/or product registration is required). This one (1) year warranty covers all parts including wood, hardware, and all accessories (Such as swings, rides, and slides). See Fig. 2

Fig. 2	<u>Product Age (All Parts)</u> 91 Days to 1 Year	<u>Consumer Pays</u> \$0 for Part + Free Shipping
--------	---	--

WOOD ROT, DECAY, AND INSECT DAMAGE:

All wood carries a five (5) year warranty against rot, decay, and insect damage (dated sales receipt and/or product registration is required). Refer to the schedule below for charges associated with replacement of wood parts under this **Limited Warranty**. See Fig. 3

Fig. 3	<u>Product Age (Wood Parts)</u> 0 Days to 1 Year After 1 Year to 5 Year Over 5 Years	<u>Consumer Pays</u> \$0 for Part + Free Shipping \$0 for Part + Shipping & Handling 100% for Part (if available) + Shipping & Handling
--------	---	--

This warranty applies to the original owner and registrant and is non-transferable. Regular maintenance is required to ensure the integrity of this product. Failure by the owner to maintain the product according to the maintenance requirements may void this warranty.

This Limited Warranty does NOT cover:

- Any inspection cost
- Labor and/or costs for replacement of any defective item(s), including but not limited to, professional installer costs
- Incidental or consequential damages, including but not limited to, as a result of set relocation, move and/or reinstall
- Cosmetic defects which do not affect performance or integrity of a part or the entire product
- Vandalism, improper use or installation, or acts of nature, including but not limited to, high winds, fire, and flood
- Minor twisting, warping, checking, or any natural occurring properties of wood that do not affect performance or integrity.
- Any KidKraft product purchased, including but not limited to, a non-approved retailer, auction houses, second-hand, and as-is clearance items.

KidKraft products have been designed for safety and quality. Modifications made to the original product may damage the structural integrity of the unit leading to failure and possible injury. KidKraft cannot assume any responsibility for the modified products. Furthermore, modifications void all warranties.

This product is warranted for **RESIDENTIAL USE ONLY**. Under no circumstance should a KidKraft product be used in public settings such as schools, churches, playgrounds, parks, home and professional day cares and the like. Such use may lead to product failure and potential injury. Public use will void this warranty. KidKraft disclaims all other representations and warranties of any kind, express or implied.



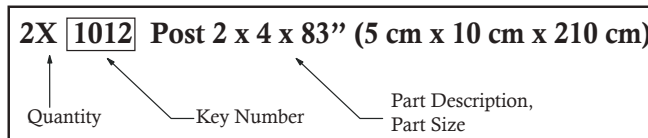
Keys to Assembly Success

Tools Required

<ul style="list-style-type: none"> • Tape Measure • Carpenters Level • Carpenters Square • Claw Hammer • Standard or Cordless Drill • Rubber Mallet 	<ul style="list-style-type: none"> • #1 Phillips, #2 Robertson and Screwdriver • Ratchet with extension 1/2" (13mm) & 9/16" (14 mm) sockets 	<ul style="list-style-type: none"> • Open End Wrench 1/2" (13mm) & 9/16" (14 mm) • Adjustable Wrench • 1/8" (3mm) & 3/16" (5mm) Drill Bits 	<ul style="list-style-type: none"> • 3/16" (5mm) Hex Key • 8' (2.4m) Step Ladder • Safety Glasses • Adult Helpers • Pencil
---	---	---	---

Part Identification Key

On each page, you will find the parts and quantities required to complete the assembly step illustrated on that page. Here is a sample.



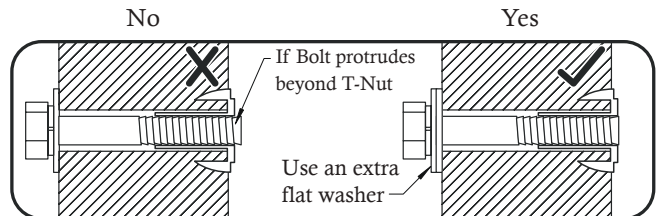
Symbols

Throughout these instructions symbols are provided as important reminders for proper and safe assembly.

<p>This identifies information that requires special attention. Improper assembly could lead to an unsafe or dangerous condition.</p>	<p>Check that set or assembly is properly level before proceeding.</p> <p>Use Level</p>
<p>Use Help</p> <p>Use Help</p> <p>Where this is shown, 2 or 3 people are required to safely complete the step. To avoid injury or damage to the assembly make sure to get help!</p>	<p>Pre-drill 1/8" (3mm) & 3/16" (5mm) Bit</p> <p>Pre-drill a pilot hole before fastening screw or lag to prevent splitting of wood.</p> <p>3mm 5mm</p>
<p>Measure Distance</p> <p>Check that assembly is square before tightening bolts.</p> <p>Square Assembly</p> <p>Use a measuring tape to assure proper location.</p>	<p>Tighten Bolts</p> <p>This indicates time to tighten bolts, but not too tight! Do not crush the wood. This may create splinters and cause structural damage.</p>

CAUTION – Protrusion Hazard

Once the assembly is tightened, watch for exposed threads. If a thread protrudes from the T-Nut, remove the bolt and add washers to eliminate this condition. Extra washers have been provided for this purpose.

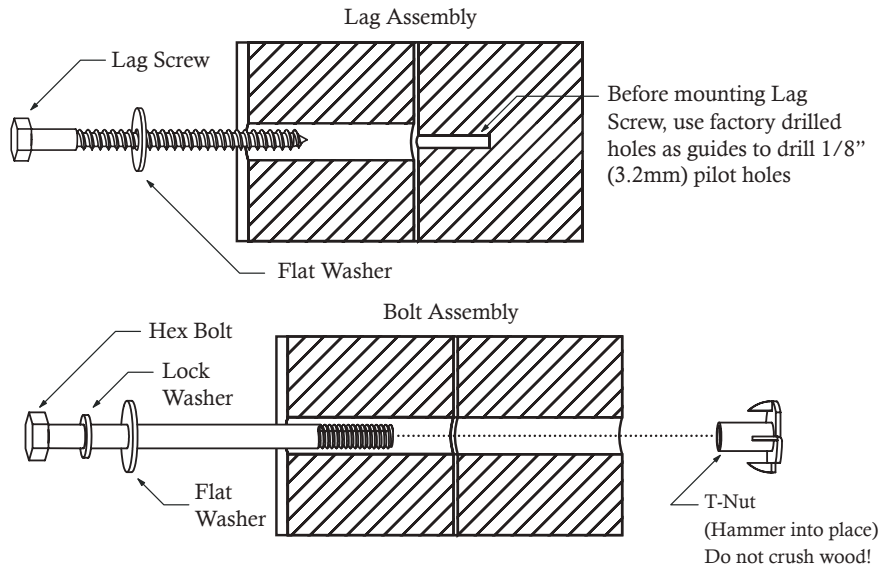


Proper Hardware Assembly

Lag screws require drilling pilot holes to avoid splitting wood. Only a flat washer is required. For ease of installation liquid soap can be used on all lag-type screws.

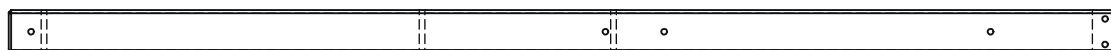
For bolts, tap T-Nut into hole with hammer. Insert the hex bolt through lock washer first then flat washer then hole. Because the assemblies need to be squared do not completely tighten until instructed. Pay close attention to diameter of the bolts. 5/16" (8mm) is slightly larger than 1/4" (6.4mm).

Note: Wafer head bolts with blue lock tight or a bolt with a Ny-Lok nut do NOT require a lock washer.



Part Identification (Reduced Size)

2x - [10666](#) - 34.9 x 85.7 x 2201 mm - 37310666



1 3/8" x 3 3/8" x 86 21/32"

1x - [10667](#) - 34.9 x 85.7 x 2201 mm - 37310667



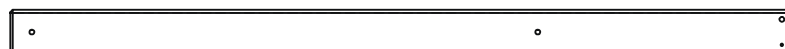
1 3/8" x 3 3/8" x 86 21/32"

2x - [10668](#) - 34.9 x 85.7 x 2057 mm - 37310668



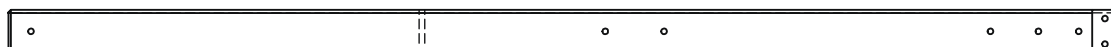
1 3/8" x 3 3/8" x 80 63/64"

2x - [10669](#) - 25.4 x 88.9 x 1548.6 mm - 37310669



1" x 3 1/2" x 60 31/32"

1x - [10670](#) - 34.9 x 85.7 x 2201 mm - 37310670



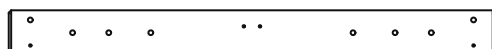
1 3/8" x 3 3/8" x 86 21/32"

1x - [10671](#) - 25.4 x 88.9 x 965.2 mm - 37310671



1" x 3 1/2" x 38"

1x - [10672](#) - 25.4 x 88.9 x 965.2 mm - 37310672



1" x 3 1/2" x 38"

2x - [10673](#) - 25.4 x 88.9 x 1548.6 mm - 37310673



1" x 3 1/2" x 60 31/32"

2x - [10674](#) - 25.4 x 63.5 x 1089.6 mm - 37310674



1" x 2 1/2" x 42 57/64"

2x - [10675](#) - 25.4 x 63.5 x 1574 mm - 37310675



1" x 2 1/2" x 61 31/32"

2x - [10676](#) - 25.4 x 63.5 x 914.4 mm - 37310676



1" x 2 1/2" x 36"

1x - [10677](#) - 25.4 x 88.9 x 965.2 mm - 37310677



1" x 3 1/2" x 38"

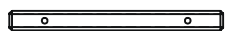
2x - [10678](#) - 38.1 x 38.1 x 912.2 mm - 37310678



1 1/2" x 1 1/2" x 35 29/32"

Part Identification (Reduced Size)

2x - **10679** - 38.1 x 38.1 x 418.1 mm - 37310679



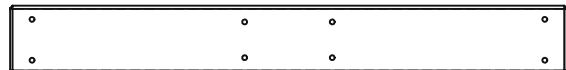
1 1/2" x 1 1/2" x 16 29/64"

4x - **10680** - 34.9 x 85.7 x 152.9 mm - 37310680



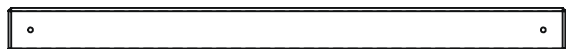
1 3/8" x 3 3/8" x 6 1/64"

1x - **10681** - 31.8 x 133.4 x 1089.6 mm - 37310681



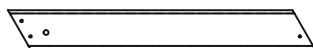
1 1/4" x 5 1/4" x 42 57/64"

2x - **10682** - 25.4 x 88.9 x 1089.6 mm - 35810682



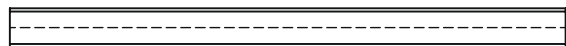
1" x 3 1/2" x 42 57/64"

4x - **10683** - 31.8 x 76.2 x 601 mm - 35810683



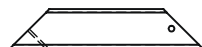
1 1/4" x 3" x 23 21/32"

1x - **10684** - 50.8 x 76.2 x 1088 mm - 35810684



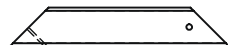
2" x 3" x 42 53/64"

4x - **10685** - 31.8 x 76.2 x 376 mm - 37310685



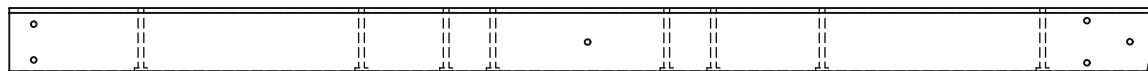
1 1/4" x 3" x 14 51/64"

4x - **10686** - 31.8 x 76.2 x 430 mm - 37310686



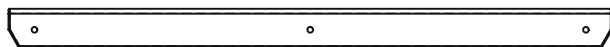
1 1/4" x 3" x 16 59/64"

1x - **10687** - 76.2 x 133.4 x 2235.2 mm - 37310687



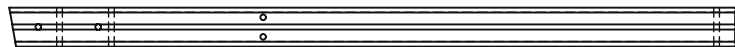
3" x 5 1/4" x 88"

1x - **2616** - 23.8 x 82.6 x 1181.1 mm - 3732616



15/16" x 3 1/4" x 46 1/2"

1x - **9831** - 76.2 x 76.2 x 1425.8 mm - 3739831



3" x 3" x 56 1/8"

2x - **10690** - 50.8 x 76.2 x 2006.6 mm - 37310690



2" x 3" x 79"

2x - **10691** - 25.4 x 114.3 x 265 mm - 37310691



1" x 4 1/2" x 10 7/16"

Part Identification (Reduced Size)

1x - [10692](#) - 15.9 x 114.3 x 560.3 mm - 37310692



1x - [10693](#) - 15.9 x 114.3 x 560.3 mm - 37310693



1x - [10694](#) - 34.9 x 85.7 x 761.2 mm - 37310694



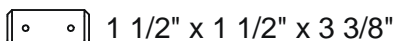
1x - [10695](#) - 25.4 x 88.9 x 965.2 mm - 37310695



1x - [10696](#) - 31.8 x 63.5 x 1547 mm - 37310696



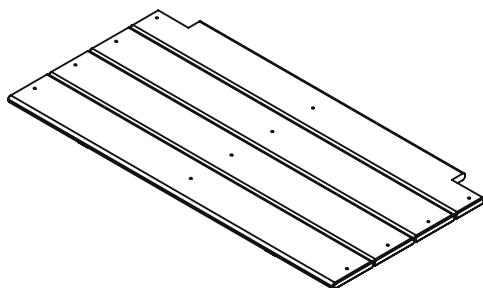
4x - [10773](#) - 38.1 x 38.1 x 85.7 mm - 37310773



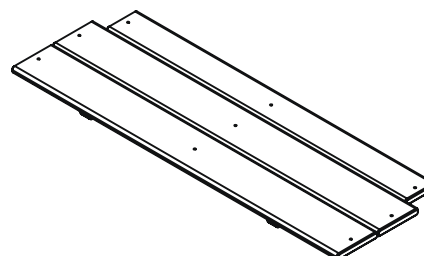
1x - [10716](#) - 25.4 x 63.5 x 381 mm - 37310716



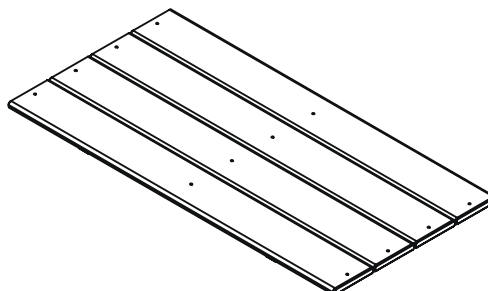
1x - [9414](#) - 31.8 x 457.2 x 914.4mm - 37589414
1 1/4\"/>



2x - [9415](#) - 31.8 x 314.3 x 914.4mm - 37589415
1 1/4\"/>

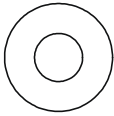


1x - [9416](#) - 31.8 x 457.2 x 914.4mm - 37589416
1 1/4\"/>



Hardware Identification (Actual Size)

82 x **FW0** - 3/16" - 51103100
4.8mm



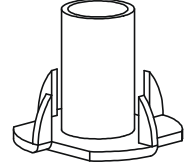
18 x **LW1** - 1/4" - (51303200)
6.4mm



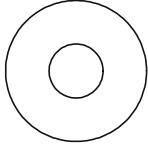
16 x **LN1** - 1/4" - 54303200
6.4mm



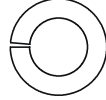
80 x **TN2** - 5/16" - 54503300
7.9mm



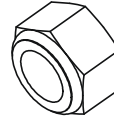
52 x **FW1** - 1/4" - 51103200
6.4mm



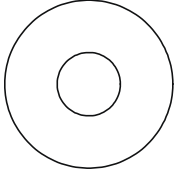
36 x **LW2** - 5/16" - (51303300)



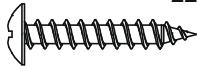
19 x **LN2** - 5/16" - 54303300
7.9mm



118 x **FW2** - 5/16" - 51103300
7.9mm



94 x **S0** - #8 x 7/8" - 52933505
22.2mm



32 x **S3** - #8 x 2-1/2" - 52043522



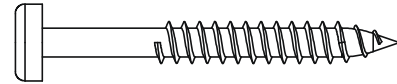
4 x **S11** - #8 x 2" - 52043520
50.8mm



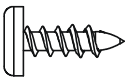
4 x **S18** - #6 x 1" - 52013910
25.4mm



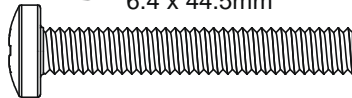
11 x **S7** - #12 x 2" - 52433620
50.8mm



4 x **S37** - #7 x 5/8" - 52433009



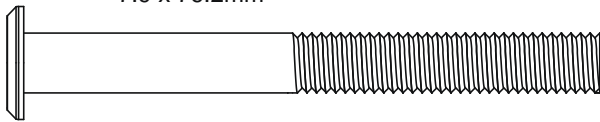
12 x **PB3** - 1/4 x 1-3/4" - 53433213
6.4 x 44.5mm



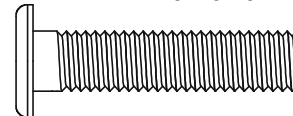
50 x **S20** - #8 x 1-3/8" - 52043516
34.9mm



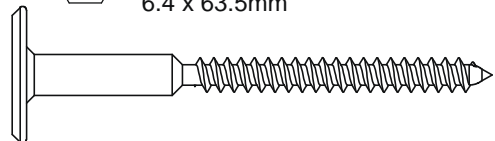
3 x **WB7** - 5/16 x 3" - (53613330)
7.9 x 76.2mm



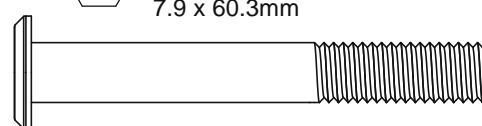
8 x **WB2** - 5/16 x 1-3/8" - 53613316
7.9 x 34.9mm



14 x **WL5** - 1/4 x 2-1/2" - 52613222
6.4 x 63.5mm

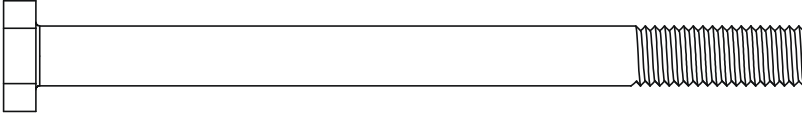


50 x **WB8** - 5/16 x 2-3/8" - 53613326
7.9 x 60.3mm

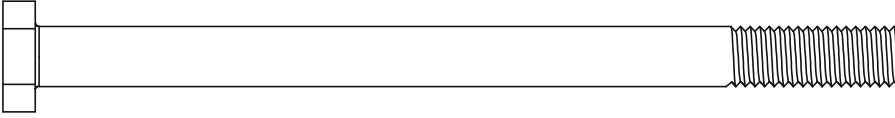


Hardware Identification (Actual Size)

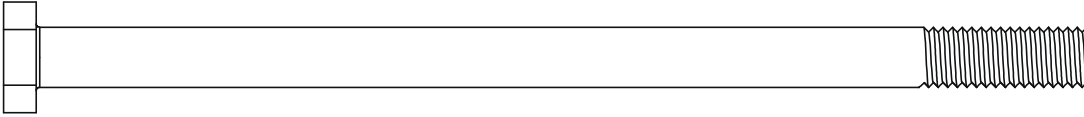
3 x **G4** - 5/16 x 4" - 53703340
7.9 x 101.5mm



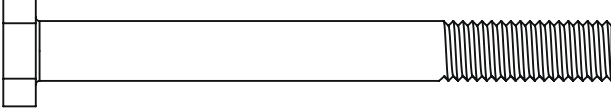
14 x **G5** - 5/16 x 4-1/2" - 53703342
7.9 x 114.3mm



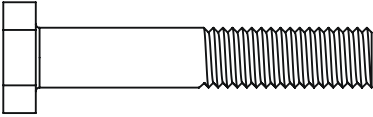
6 x **G7** - 5/16 x 5-1/2" - 53703352
7.9 x 139.7mm



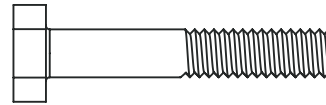
4 x **G10** - 5/16 x 3" - 53703330
7.9 x 76.2mm



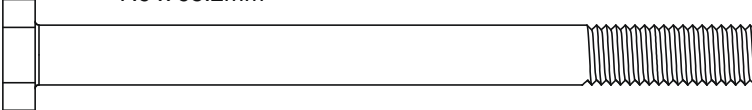
4 x **G27** - 5/16 x 1-3/4" - 53703313
7.9 x 44.5mm



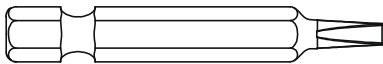
4 x **H1** - 1/4 x 1-1/2" - 53703212
6.4 x 38.1mm



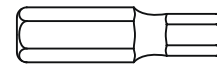
7 x **G21** - 5/16 x 3-3/4" - 53703333
7.9 x 95.2mm



1 x **D4** - #2 x 2 - 9200014



1 x **D6** - 3/16" - 9200019
4.8mm



Part Identification (Reduced Size)

1x - 9320374



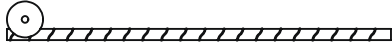
1x - 3320353



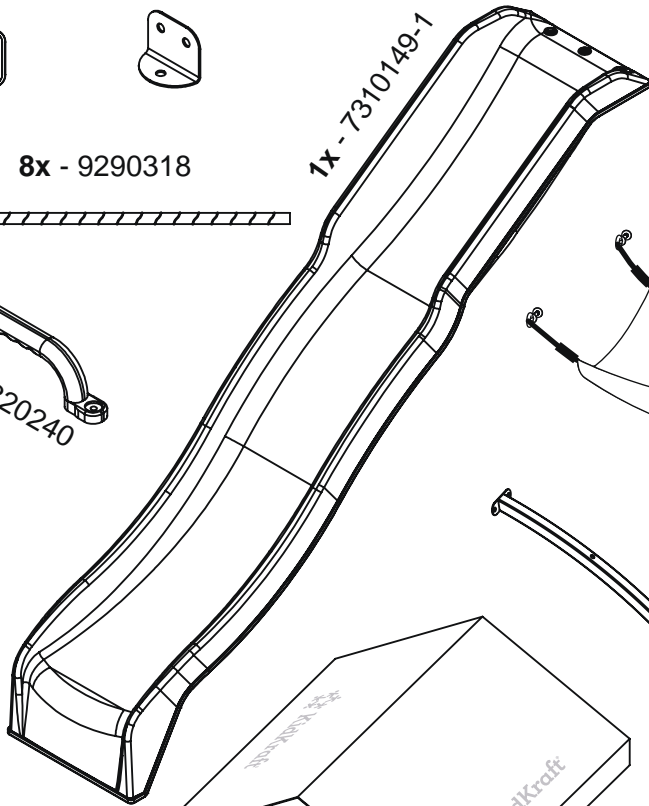
4x - 9206570



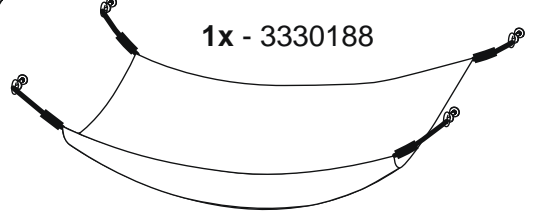
8x - 9290318



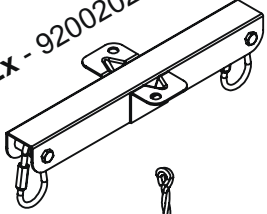
1x - 7310149-1



1x - 3330188



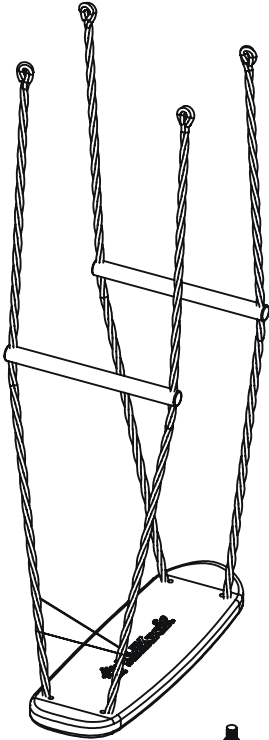
2x - 9200202YL



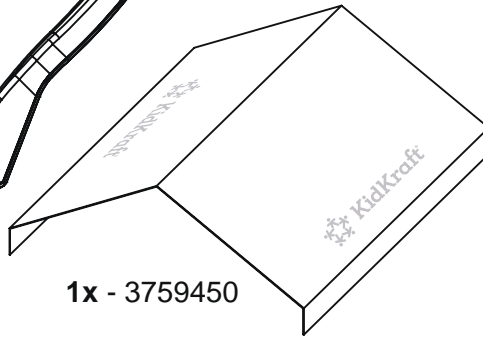
2x - 9320240



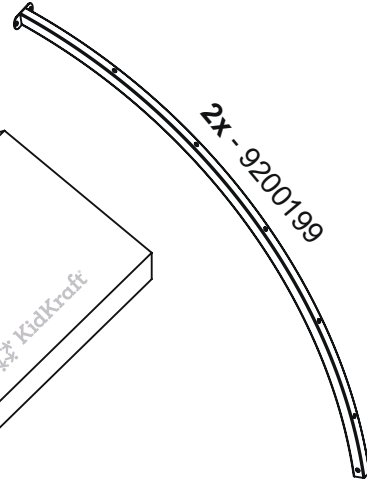
1x - 3330285



1x - 3759450



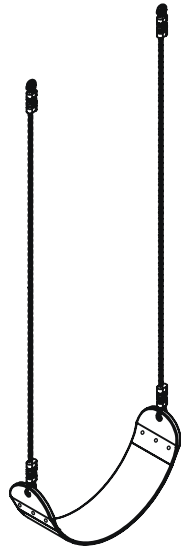
2x - 9200199



5x - 9200298



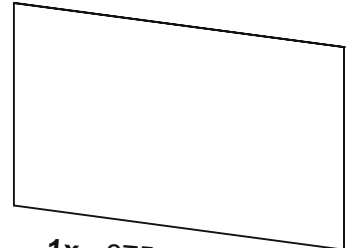
4x - 9300000



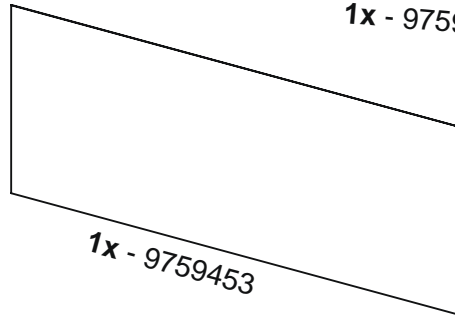
2x - 3724948



1x - 9759451

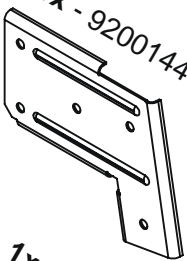


1x - 9759452



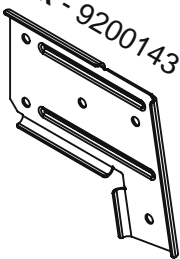
1x - 9759453

1x - 9200144

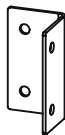


4x - 9201563

1x - 9200143



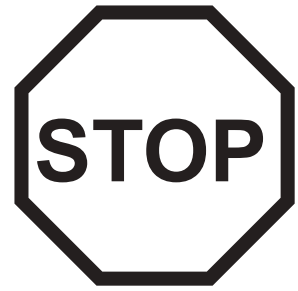
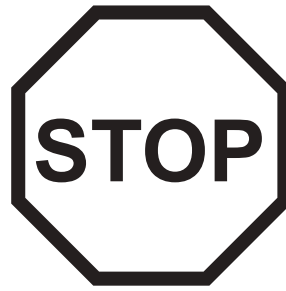
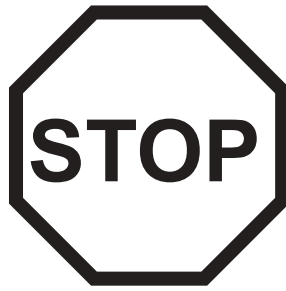
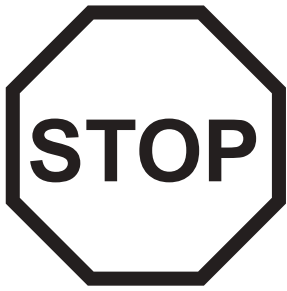
2x - 9200145



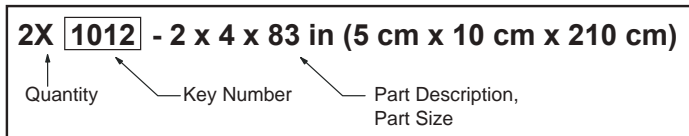
parts.kidkraft.com

customerservice@kidkraft.com
1.800.933.0771
972.385.0100

1 Inventory Parts - Read This Before Starting Assembly



- A. This is the time for you to inventory all your hardware, wood and accessories, referencing the parts identification sheets. This will assist you with your assembly.
- The wood pieces will have the key number stamped on the ends of the boards. Organize the wood pieces by step, as per the key numbering system below.



- Please refer to Page 8 for proper hardware assembly.
 - Each step indicates which bolts and/or screws you will need for assembly, as well as any flat washers, lock washers, t-nuts or lock nuts.
- B. If there are any missing or damaged pieces or you need assistance with assembly please contact the consumer relations department directly. Call us before going back to the store.

customerservice@kidkraft.com
Online Parts Replacement: parts.kidkraft.com
To warranty your product: kidkraft.com/warranty/
Customer Service:
1(800) 933-0771 or (972) 385-0100

Europe Customer Service: +31 (0)20 305 8620
europecustomerservice@kidkraft.com
EU Online Parts Replacement: parts.kidkraft.eu

- C. Read the assembly manual completely, paying special attention to EN71 and ASTM warnings; notes; and safety/maintenance information on pages 1 - 8.
- D. Before you discard your cartons fill out the form below.
- The Batch # is located on the end of each carton. The tracking number is located on the KidKraft ID Plaque (9320374).
 - Please retain this information for future reference. You will need this information if you contact the Consumer Relations Department.

MODEL NUMBER: F29450E

BATCH #: _____ (Box 1)

BATCH #: _____ (Box 4)

BATCH #: _____ (Box 2)

BATCH #: _____ (Box 5)

BATCH #: _____ (Box 3)

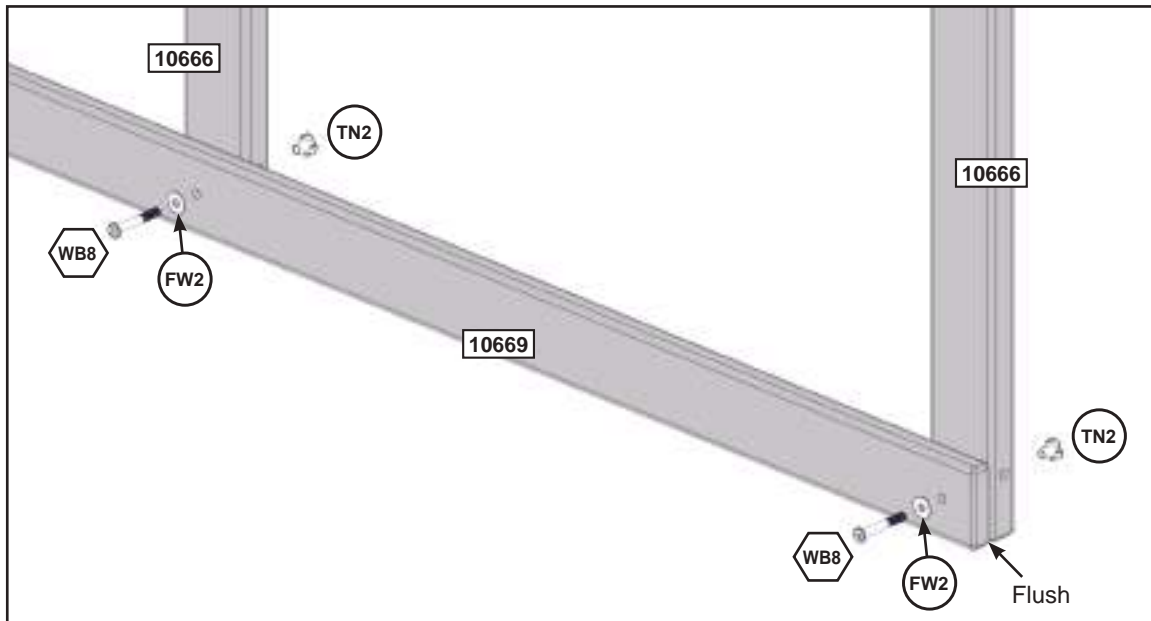
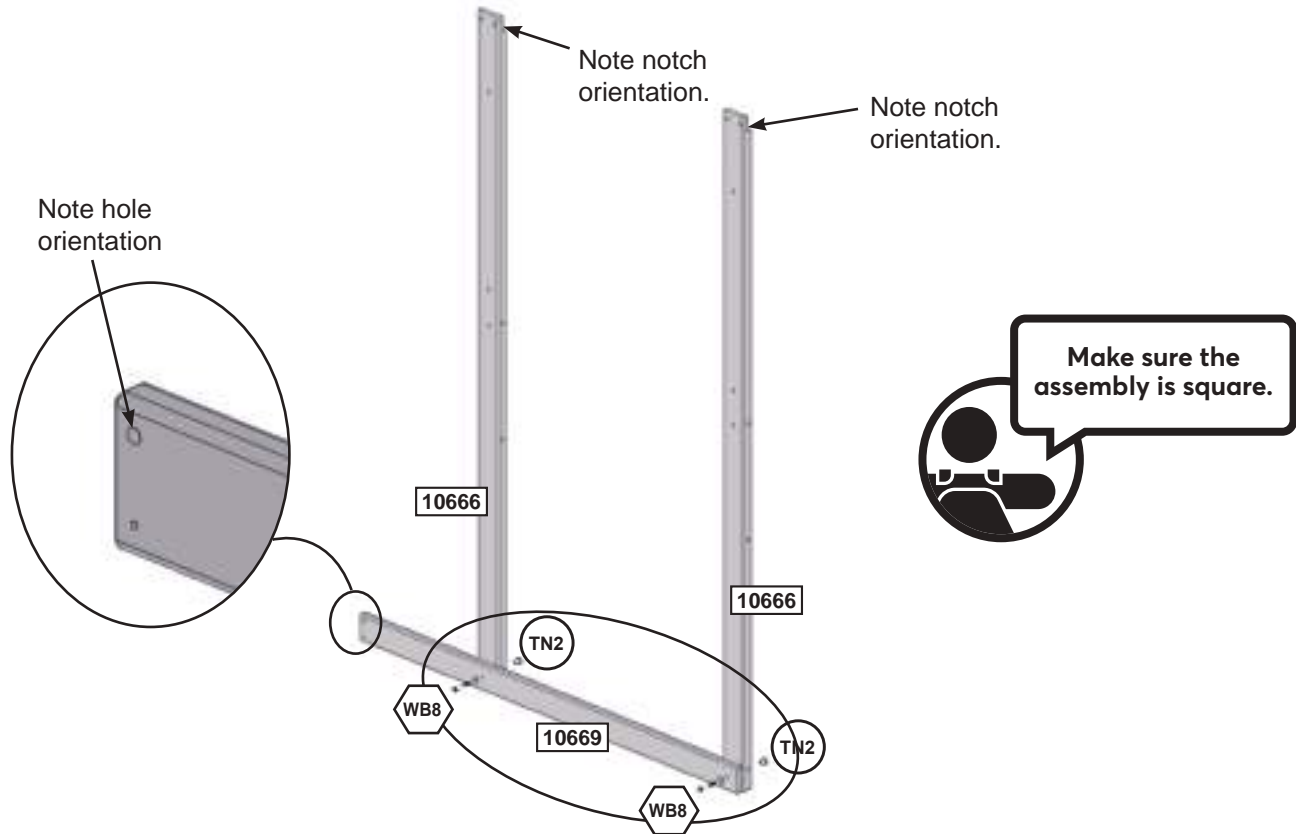
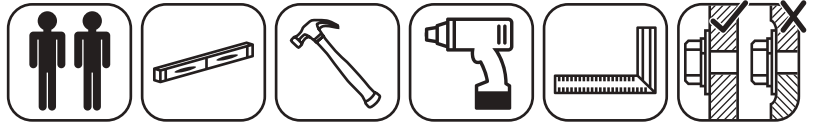
BATCH #: _____ (Box 6)

TRACKING NUMBER (from ID Plaque): _____



2

Assemble T-Nuts first with hammer!



Wood Parts

- 2 x 10666 34.9 x 85.7 x 2201 mm (1 3/8" x 3 3/8" x 86 21/32")
- 1 x 10669 25.4 x 88.9 x 1548.6 mm (1" x 3 1/2" x 60 31/32")

Hardware

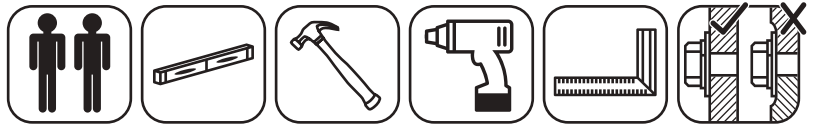
- 2 x WB8 7.9 x 60.3 mm (5/16 x 2-3/8")(FW2, TN2)



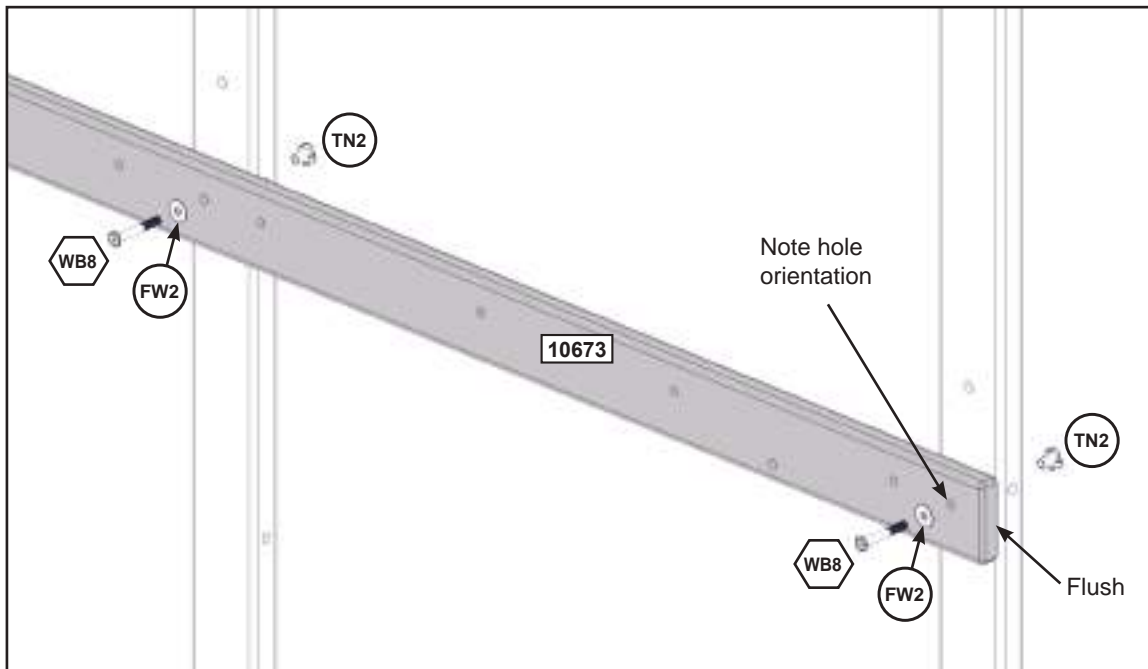
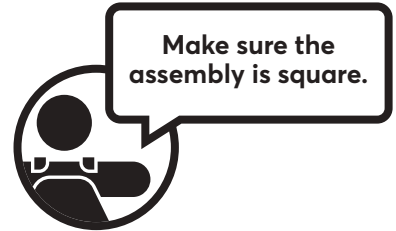
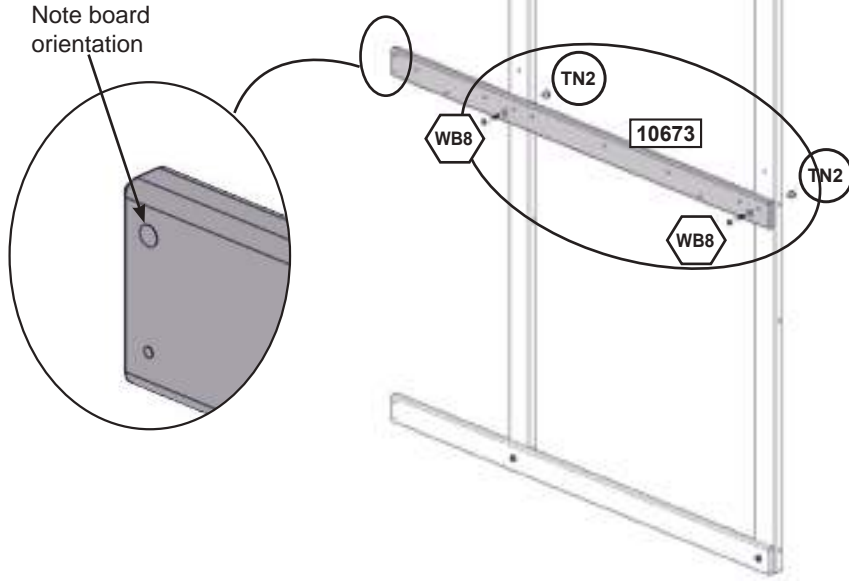
parts.kidkraft.com

customerservice@kidkraft.com
 1.800.933.0771
 972.385.0100

3



Assemble T-Nuts first with hammer!



Wood Parts

1 x **10673** 25.4 x 88.9 x 1548.6 mm (1" x 3 1/2" x 60 31/32")

Hardware

2 x **WB8** 7.9 x 60.3 mm (5/16 x 2-3/8")(FW2, TN2)

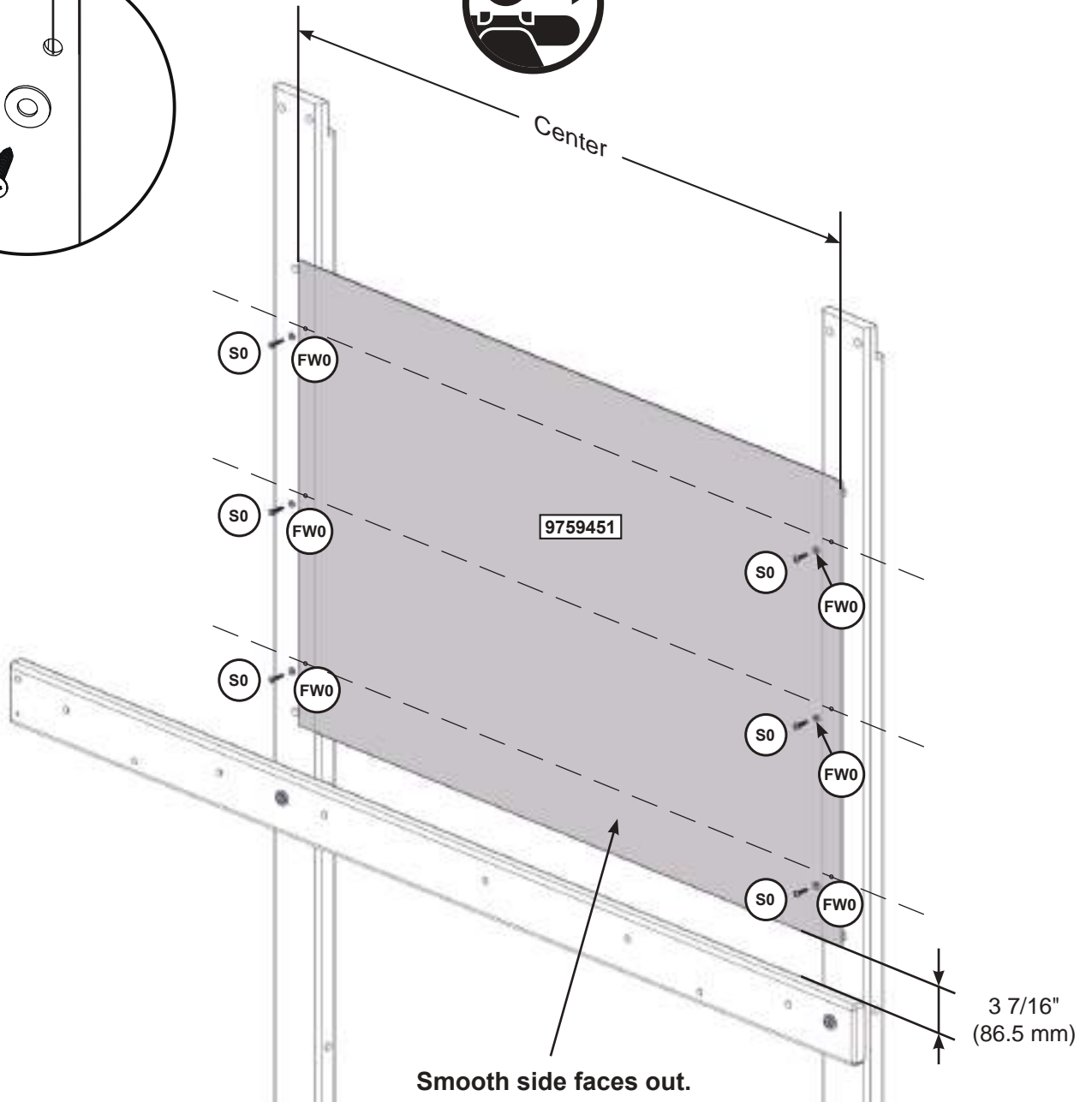
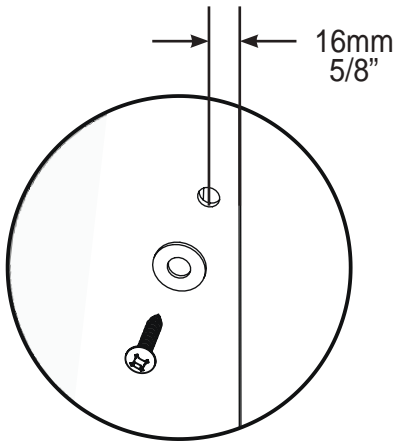


4

Note: Structure partly removed for clarity.



Lay the fabric on the frame at the location shown. Have an adult helper keep the fabric taught as you drill the hardware through the fabric into the frame following the provided dimensions.



Hardware

6 x #8 x 22.2 mm (#8 x 7/8 in) (FW0)

Other Parts

1 x



parts.kidkraft.com

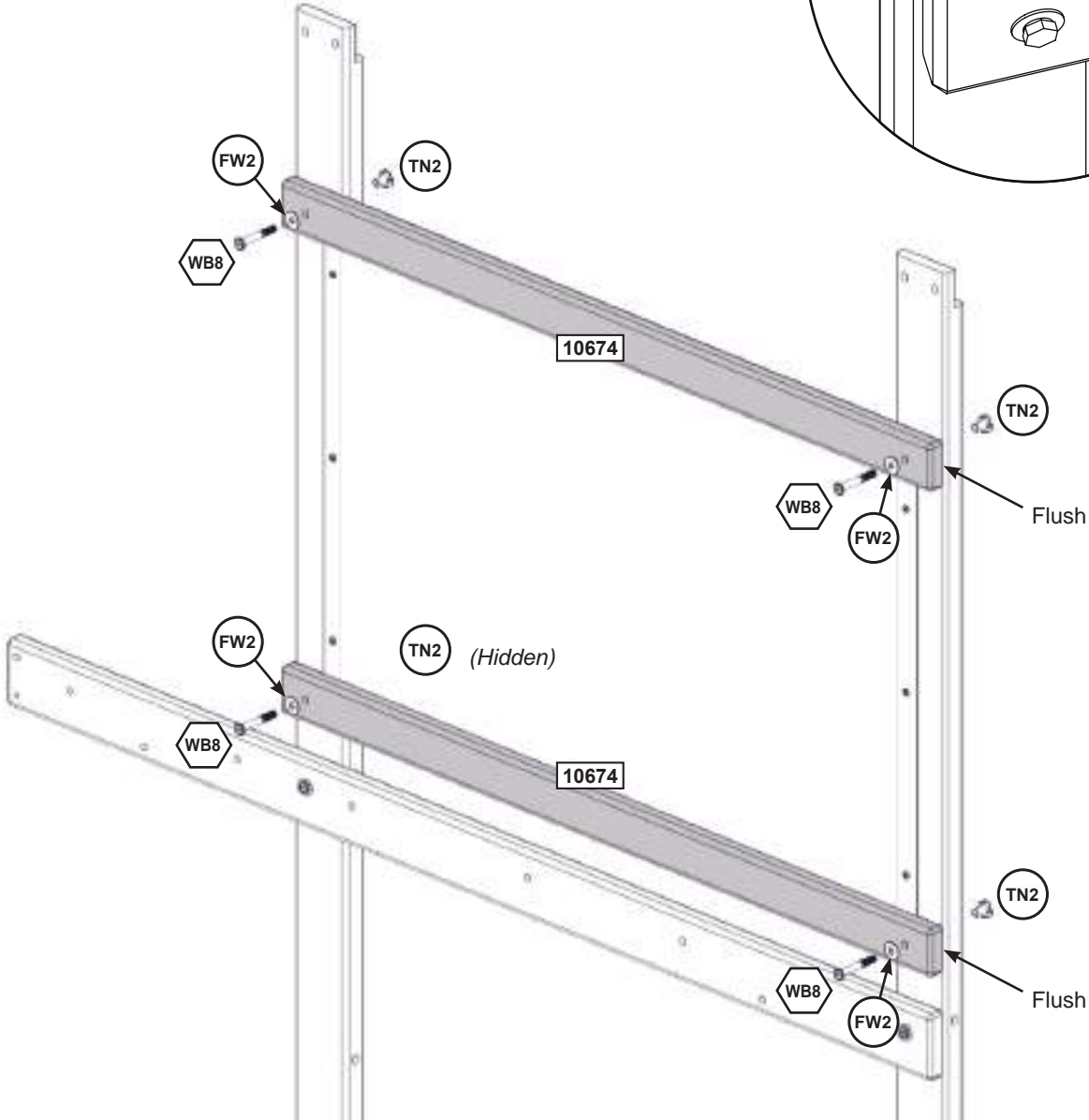
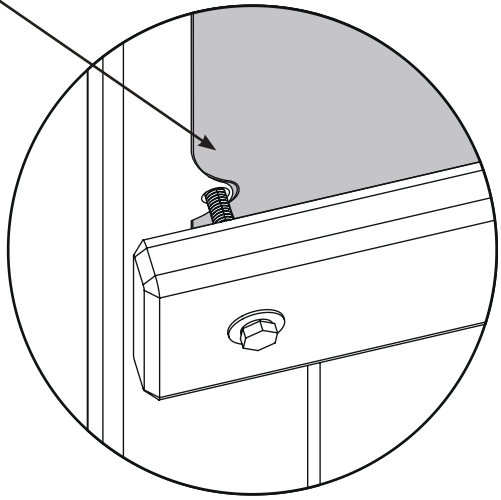
customerservice@kidkraft.com
1.800.933.0771
972.385.0100

5



Pull the fabric so that the bolt can pass through the hole.

Note: Structure partly removed for clarity.



Wood Parts

2 x 10674 25.4 x 63.5 x 1089.6 mm (1" x 2 1/2" x 42 57/64")

Hardware

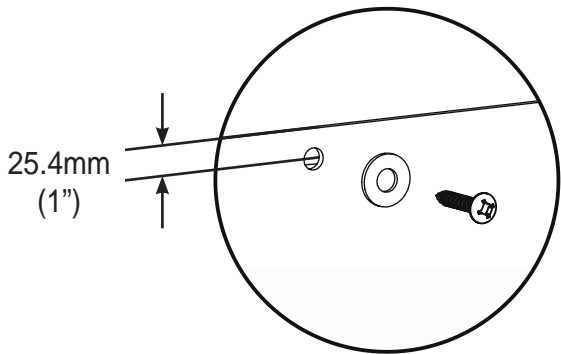
4 x WB8 7.9 x 60.3 mm (5/16 x 2-3/8")(FW2, TN2)

europecustomerservice@kidkraft.com
+31 20 305 8620
M-F from 09:00 to 17:30 (GMT+1)

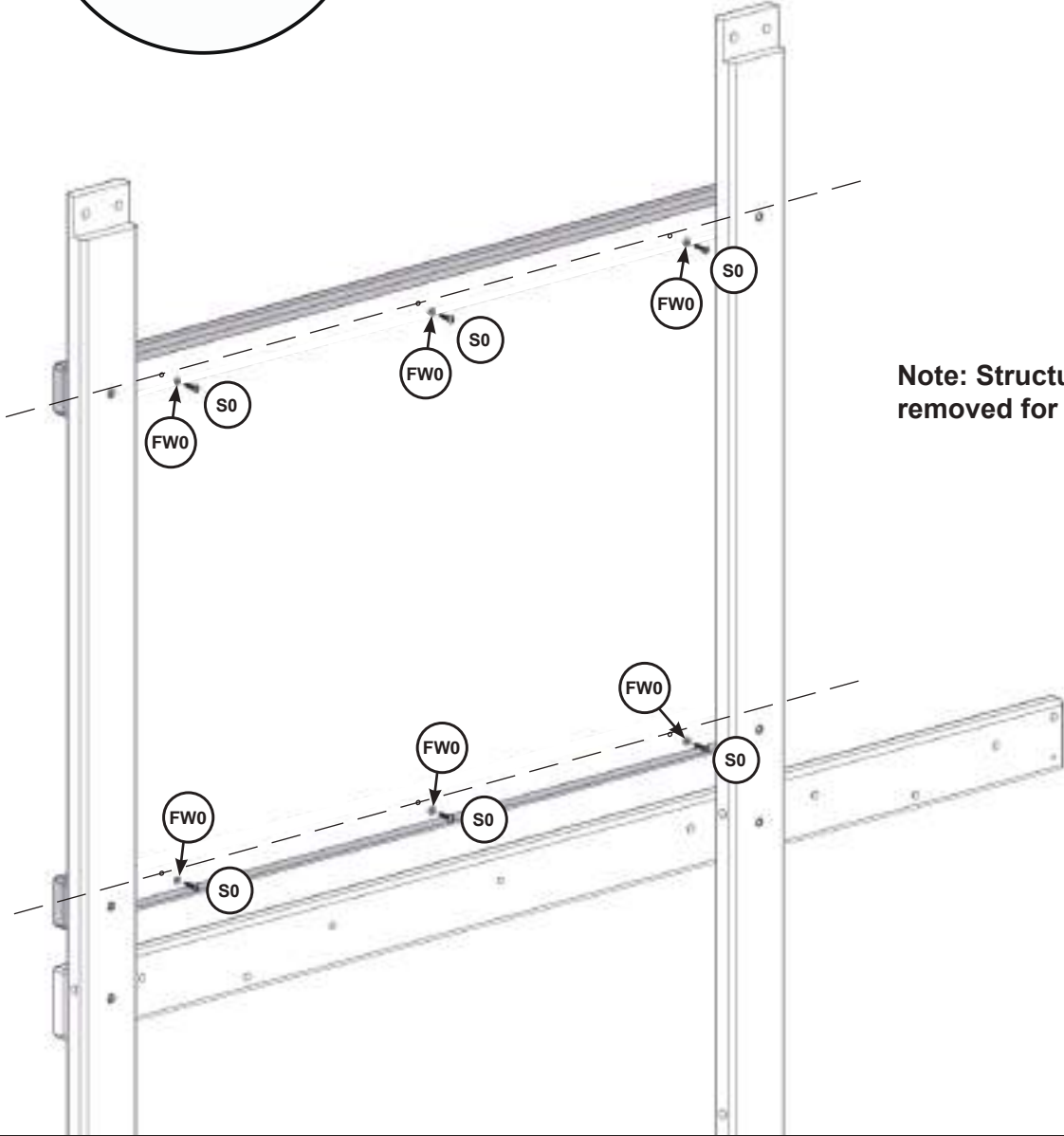
parts.kidkraft.eu



6



Have an adult helper keep the fabric taut as you drill the hardware through the fabric into the frame following the provided dimensions.



Note: Structure partly removed for clarity.

Hardware

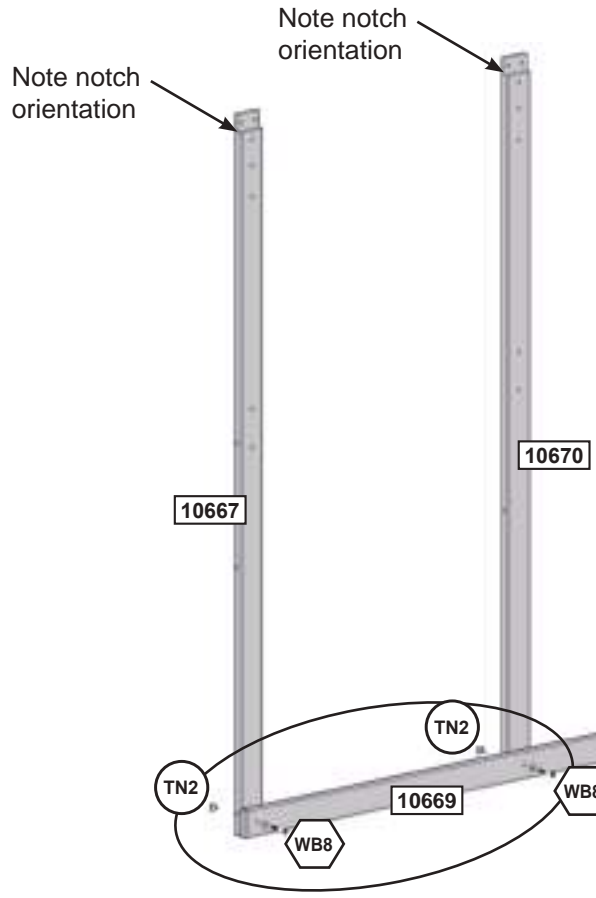
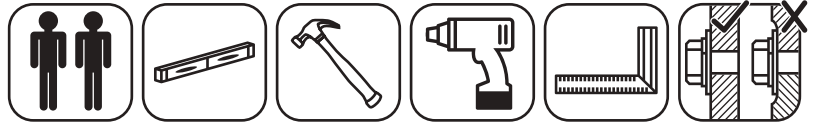
6 x (S0) #8 x 22.2 mm (#8 x 7/8") (FW0)



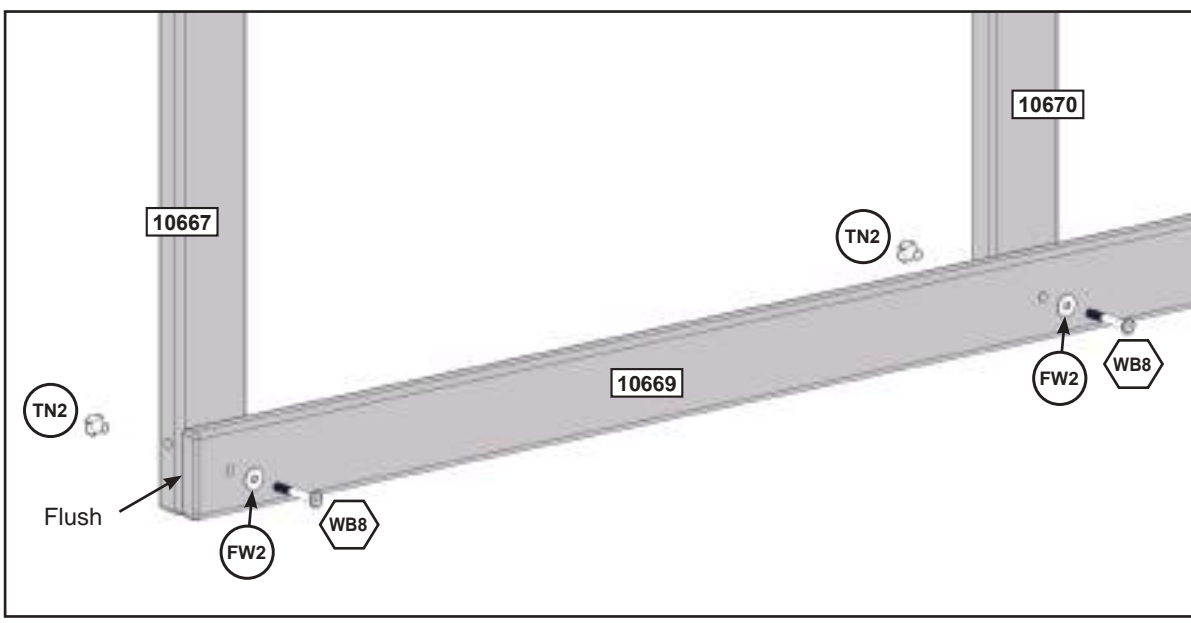
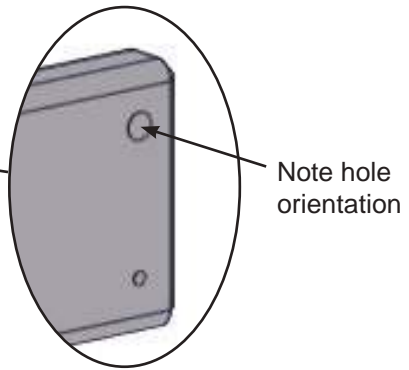
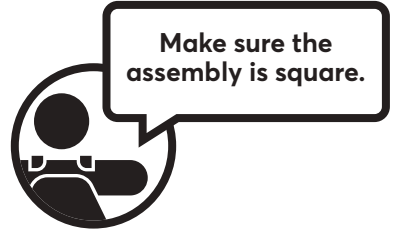
parts.kidkraft.com

customerservice@kidkraft.com
1.800.933.0771
972.385.0100

7



Assemble T-Nuts first with hammer!



Wood Parts

- 1 x 34.9 x 85.7 x 2201 mm (1 3/8" x 3 3/8" x 86 21/32")
- 1 x 25.4 x 88.9 x 1548.6 mm (1" x 3 1/2" x 60 31/32")
- 1 x 34.9 x 85.7 x 2201 mm (1 3/8" x 3 3/8" x 86 21/32")

Hardware

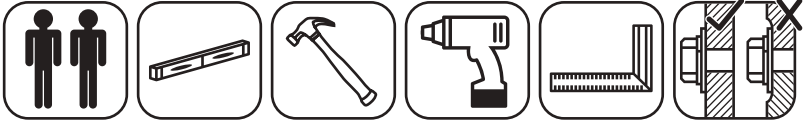
- 2 x 7.9 x 60.3 mm (5/16 x 2-3/8")(FW2, TN2)

europecustomerservice@kidkraft.com
 +31 20 305 8620
 M-F from 09:00 to 17:30 (GMT+1)

parts.kidkraft.eu

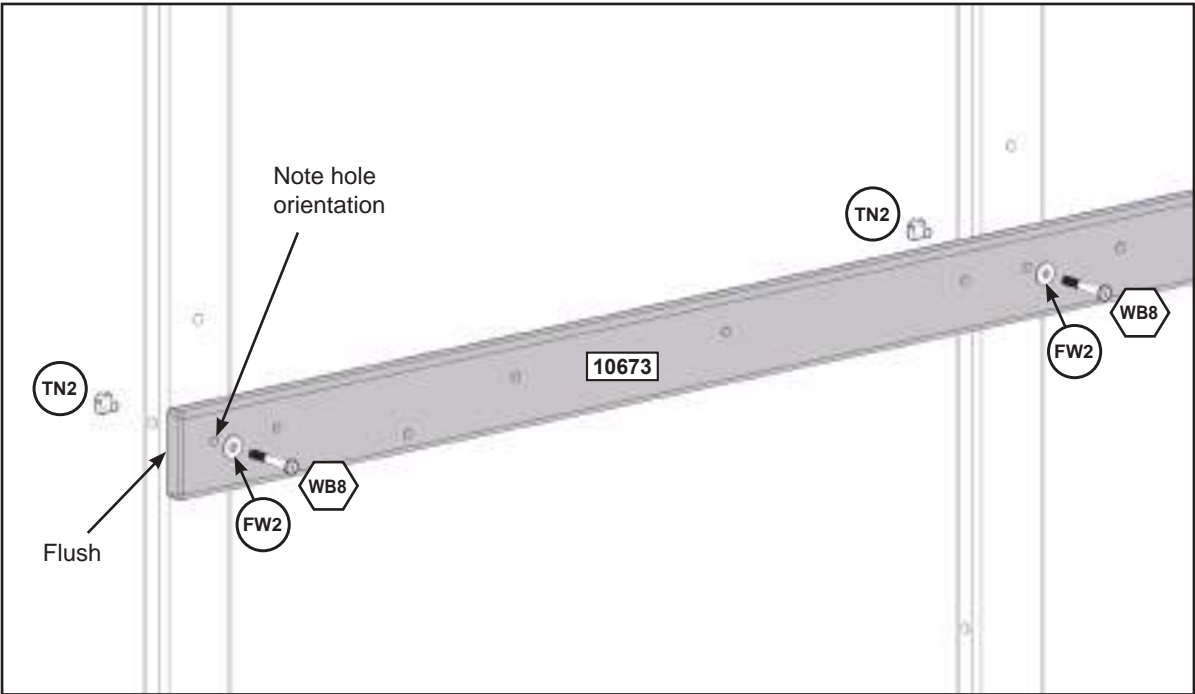
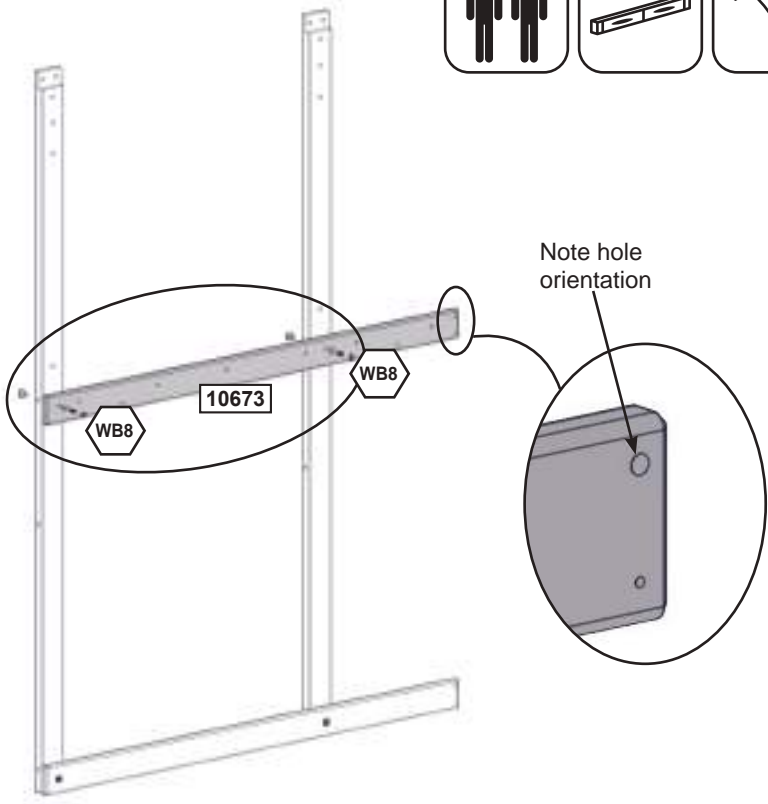


8



Assemble T-Nuts first with hammer!

Make sure the assembly is square.



Wood Parts

1 x 10673 25.4 x 88.9 x 1548.6 mm (1" x 3 1/2" x 60 31/32")

Hardware

2 x WB8 7.9 x 60.3 mm (5/16 x 2-3/8")(FW2, TN2)



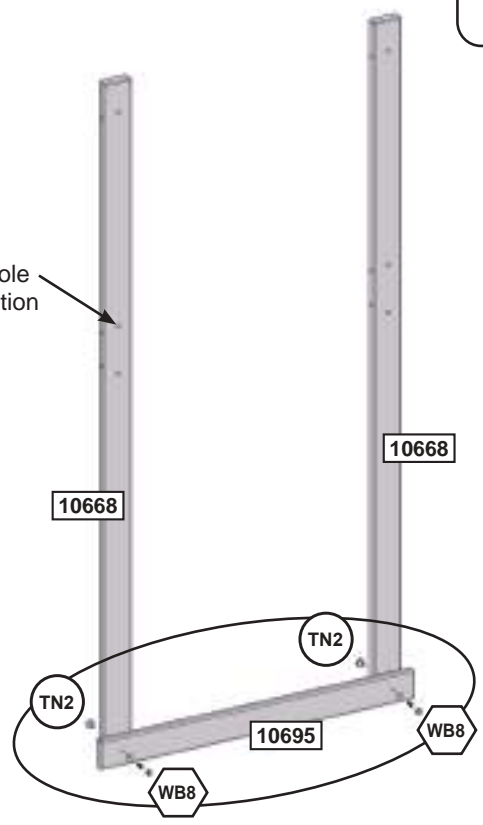
parts.kidkraft.com

customerservice@kidkraft.com
1.800.933.0771
972.385.0100

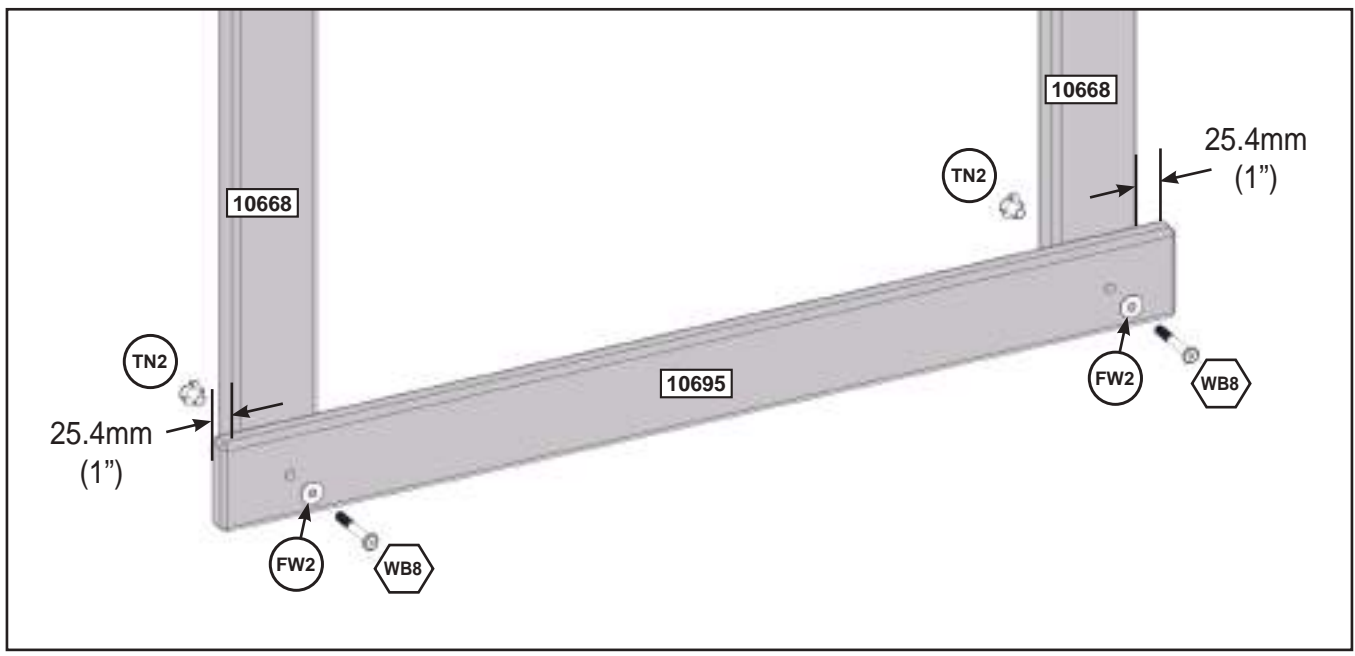
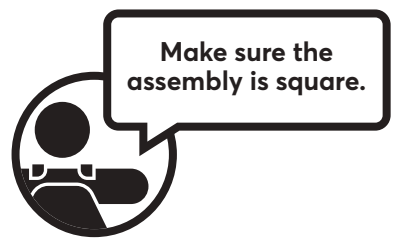
9



Note hole orientation



Assemble T-Nuts first with hammer!



Wood Parts

- 2 x **10668** 34.9 x 85.7 x 2057 mm (1 3/8" x 3 3/8" x 86 21/32")
- 1 x **10695** 25.4 x 88.9 x 965.2 mm (1" x 3 1/2" x 38")

Hardware

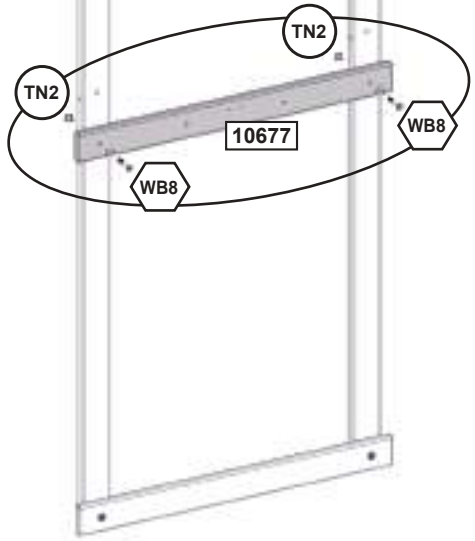
- 2 x **WB8** 7.9 x 60.3 mm (5/16 x 2-3/8")(FW2, TN2)

europecustomerservice@kidkraft.com
 +31 20 305 8620
 M-F from 09:00 to 17:30 (GMT+1)

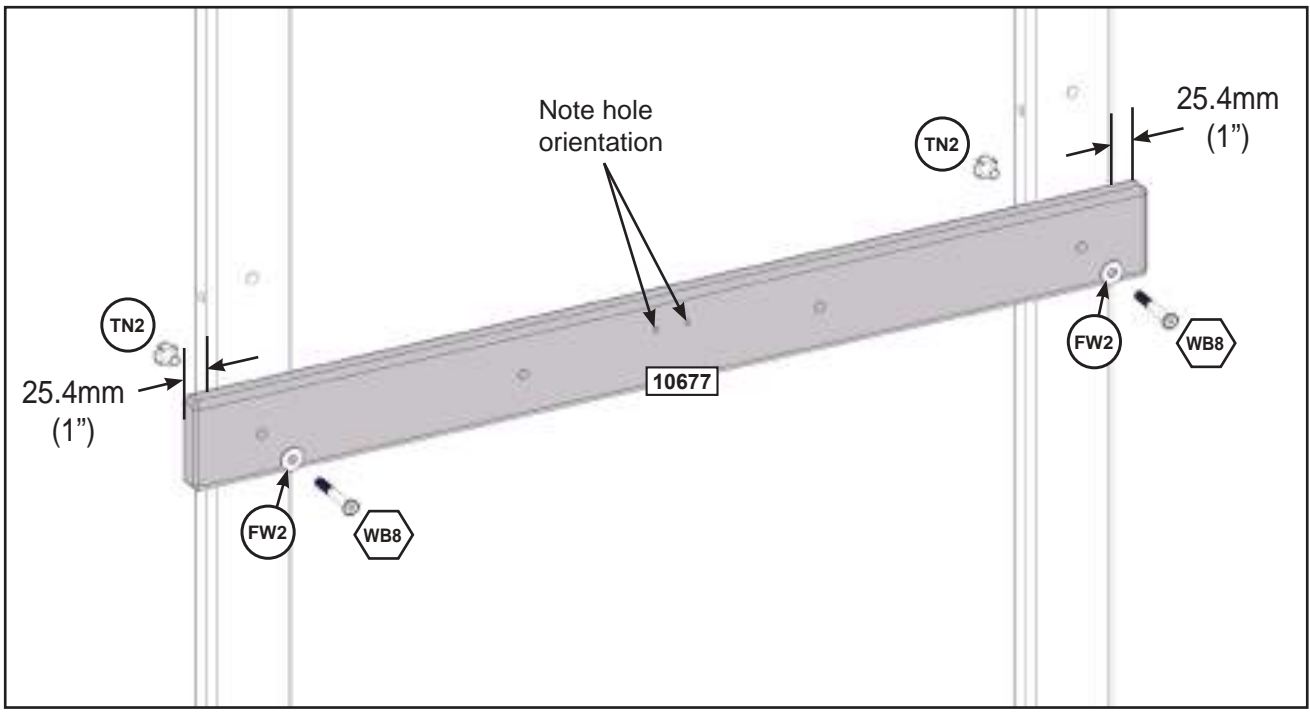
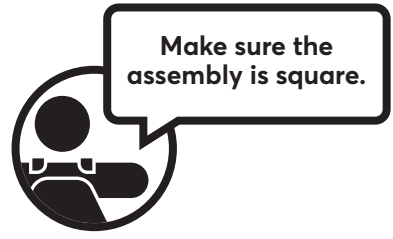
parts.kidkraft.eu



10



Assemble T-Nuts first with hammer!



Wood Parts

1 x **10677** 25.4 x 88.9 x 965.2 mm (1" x 3 1/2" x 38")

Hardware

2 x **WB8** 7.9 x 60.3 mm (5/16 x 2-3/8")(FW2, TN2)



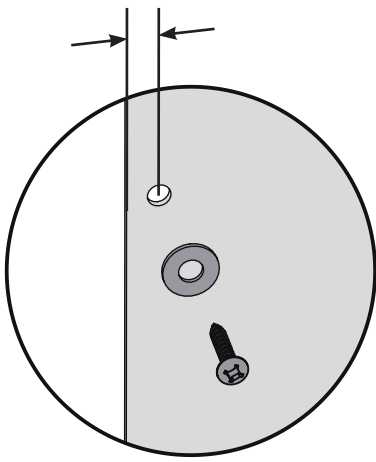
parts.kidkraft.com

customerservice@kidkraft.com
 1.800.933.0771
 972.385.0100

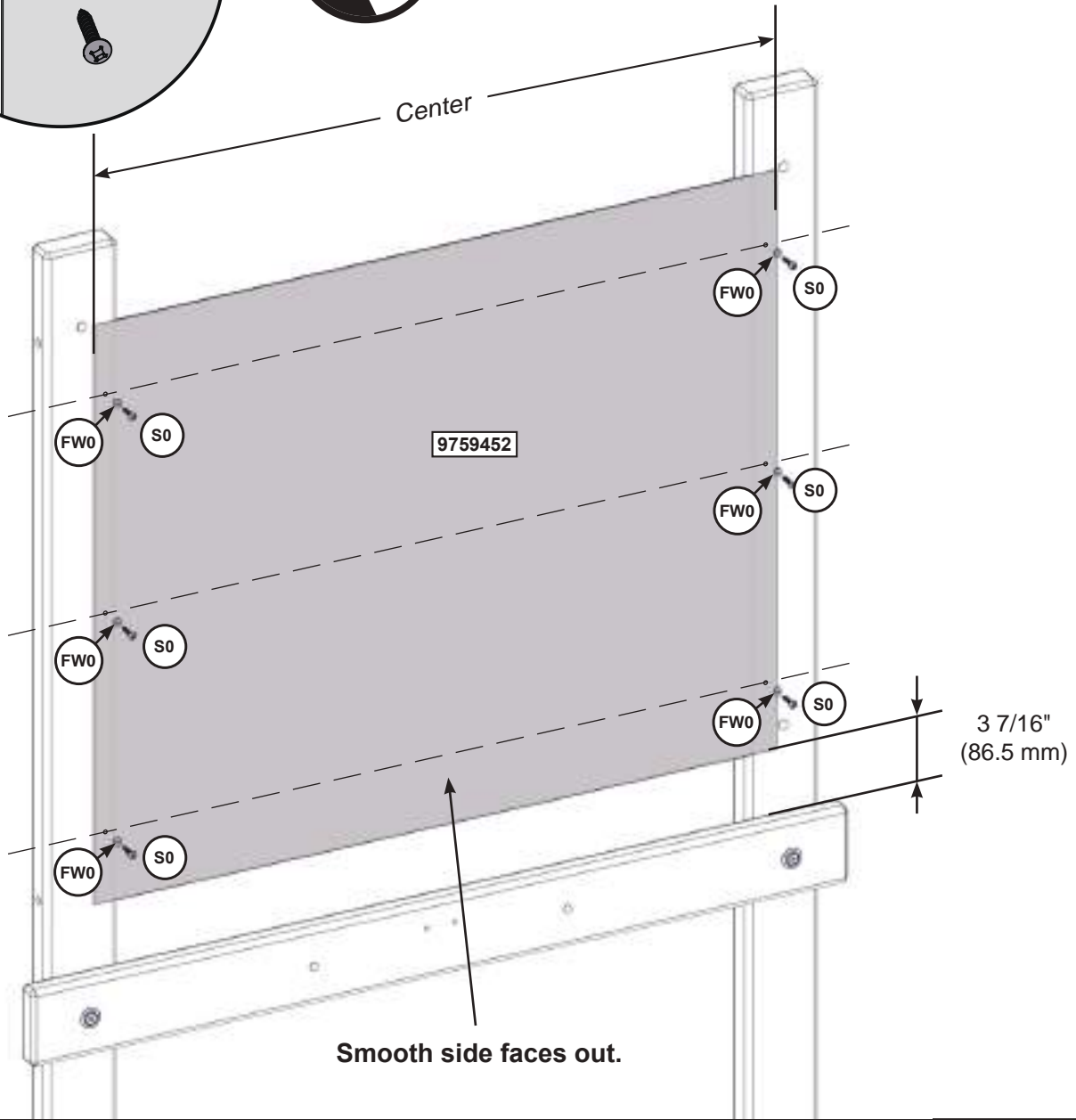
11

16 mm
5/8"

Note: Structure partly removed for clarity.




Lay the fabric on the frame at the location shown. Have an adult helper keep the fabric taut as you drill the hardware through the fabric into the frame following the provided dimensions.



Hardware

6 x  #8 x 22.2 mm (#8 x 7/8") (FW0)

Other Parts

1 x 

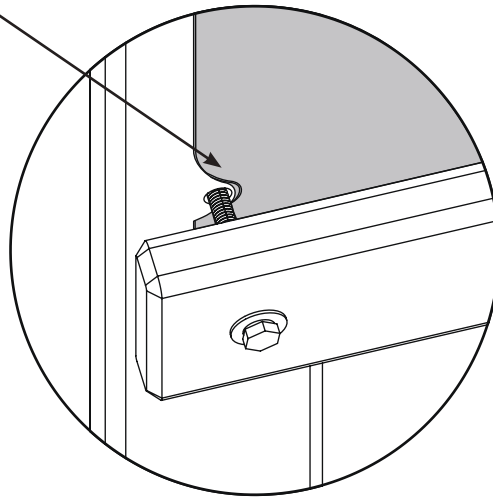
europecustomerservice@kidkraft.com
+31 20 305 8620
M-F from 09:00 to 17:30 (GMT+1)

parts.kidkraft.eu



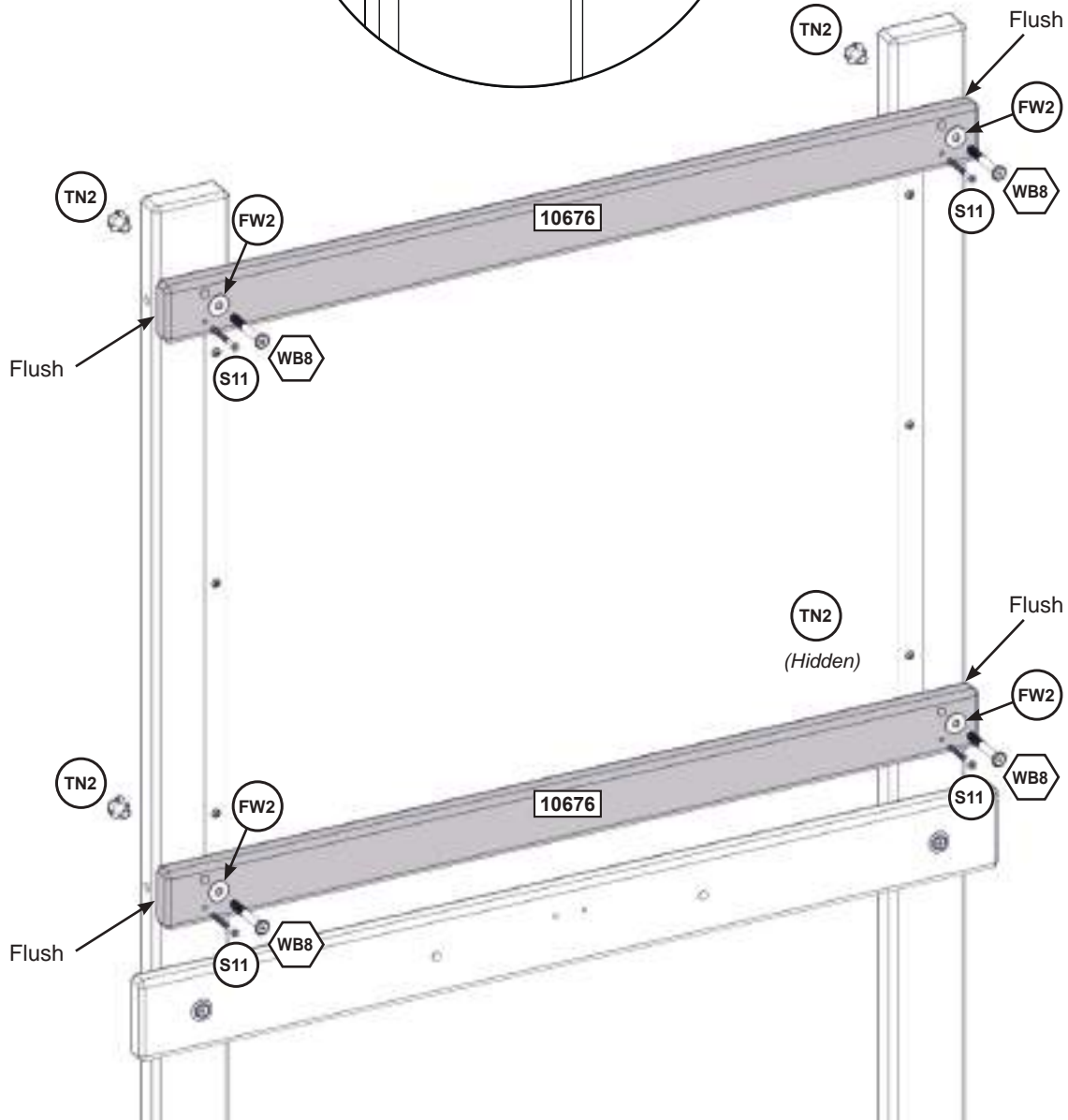
12

Pull the fabric so that the bolt can pass through the hole.



Note: Structure partly removed for clarity.

Assemble T-Nuts first with hammer!



Wood Parts

2 x 10676 25.4 x 63.5 x 914.4 mm (1" x 2 1/2" x 36")

Hardware

4 x WB8 7.9 x 60.3 mm (5/16 x 2-3/8")(FW2, TN2)

4 x S11 #8 x 50.8 mm (#8 x 2")



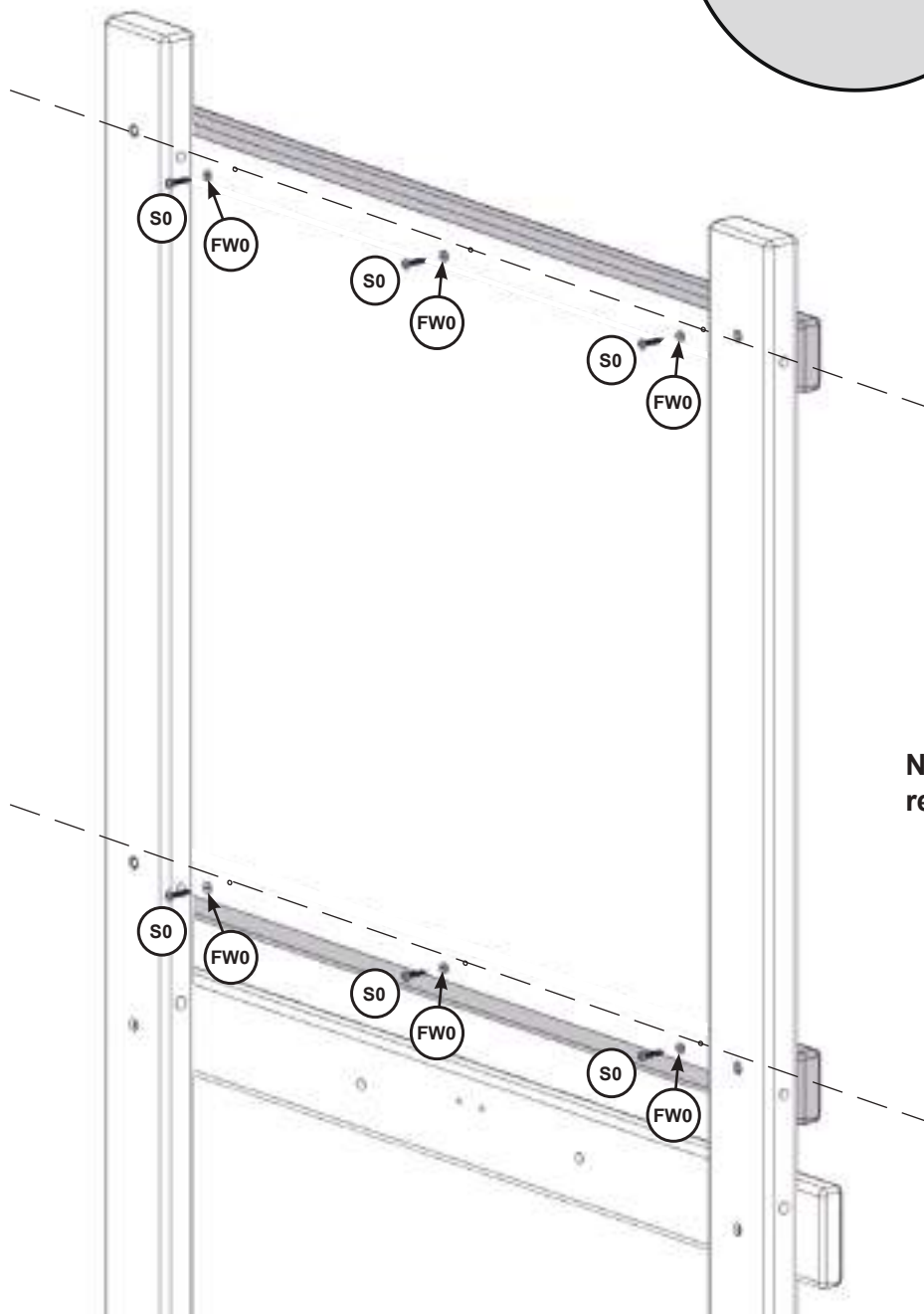
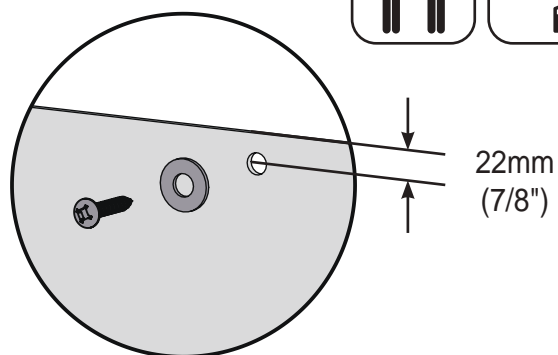
parts.kidkraft.com

customerservice@kidkraft.com
1.800.933.0771
972.385.0100

13



Have an adult helper keep the fabric taught as you drill the hardware through the fabric into the frame following the provided dimensions.

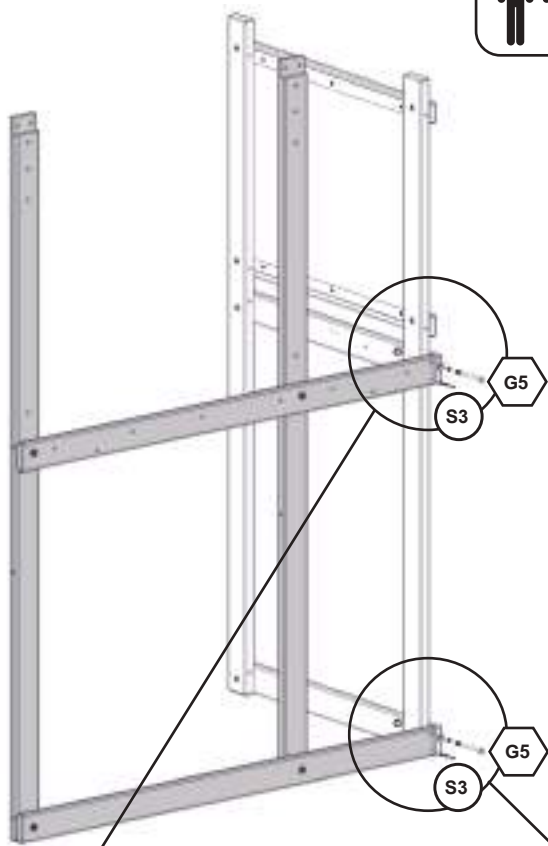
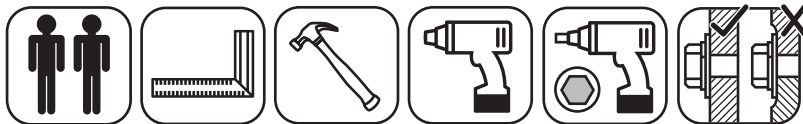


Note: Structure partly removed for clarity.

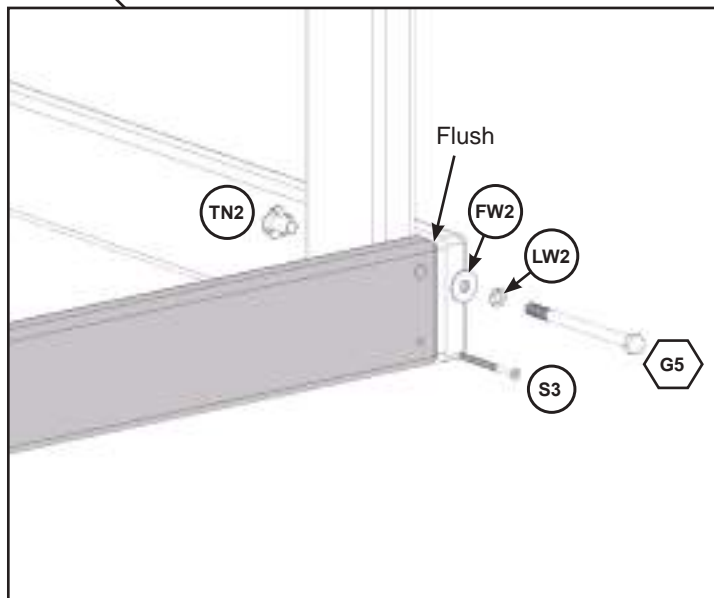
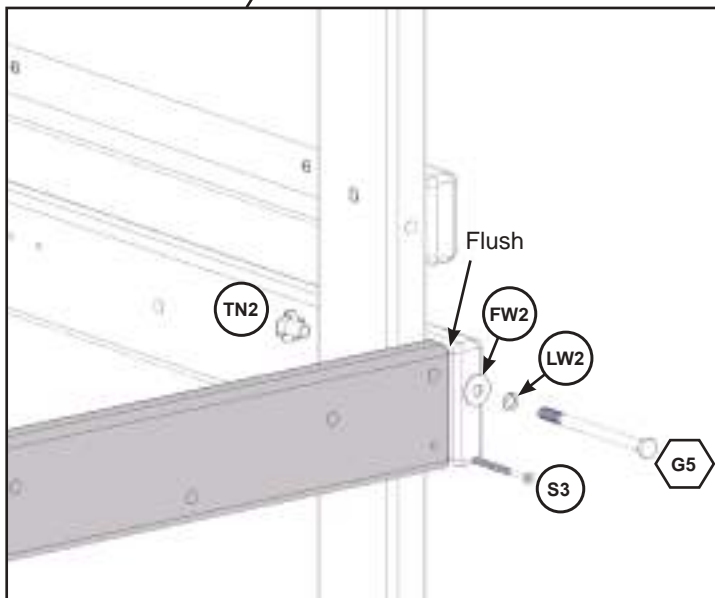
Hardware

6 x  #8 x 22.2 mm (#8 x 7/8") (FW0)





Assemble T-Nuts first with hammer!

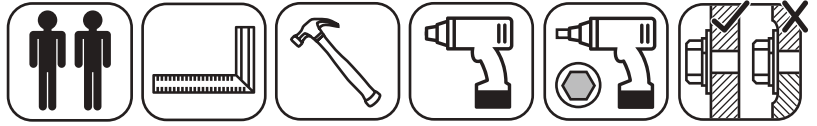


Hardware

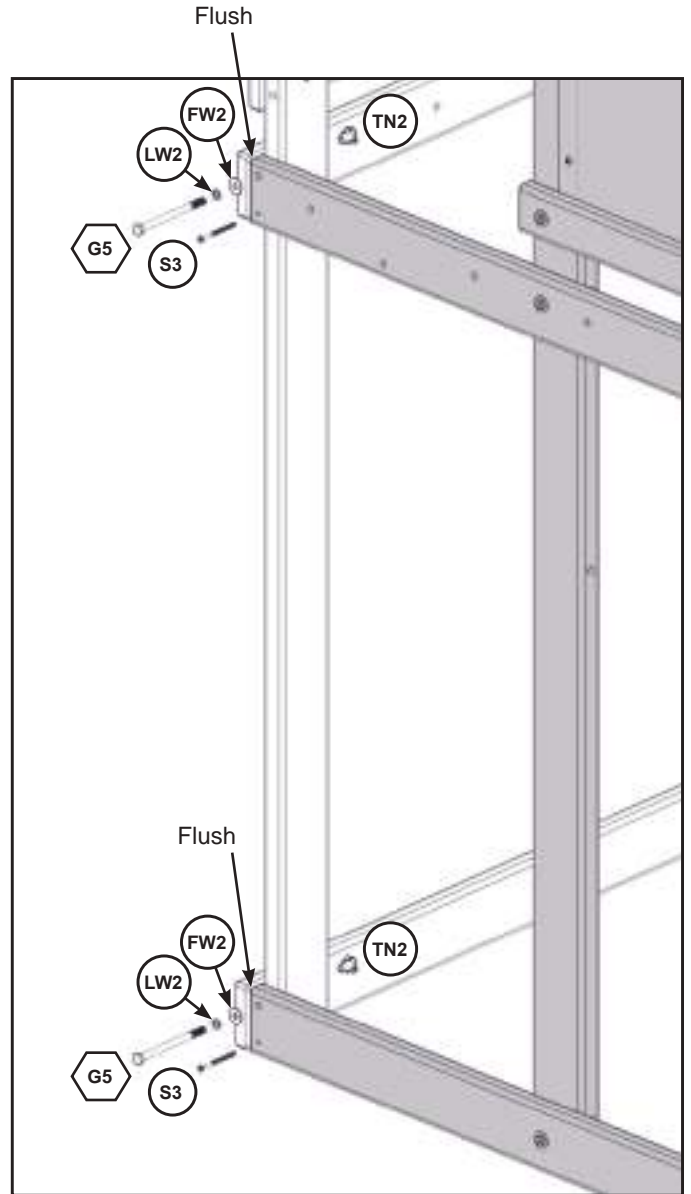
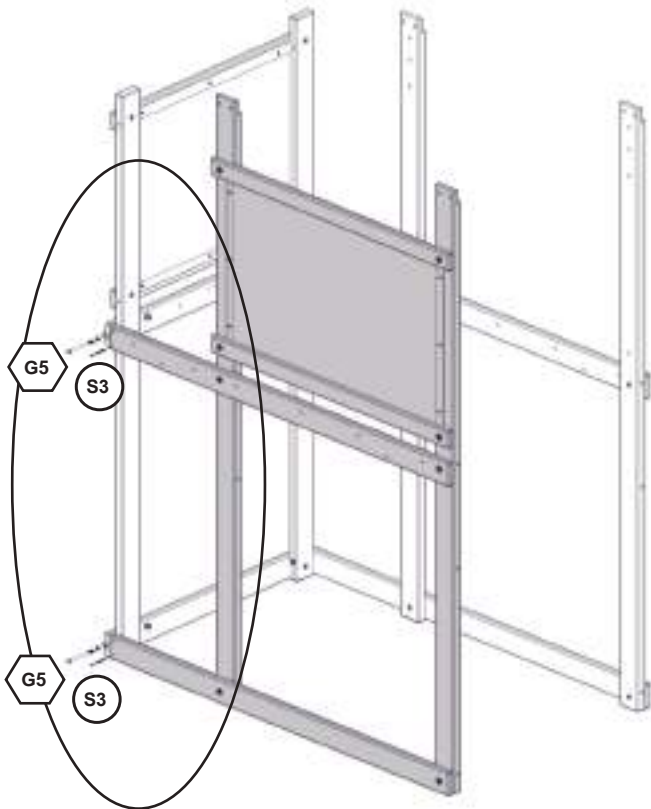
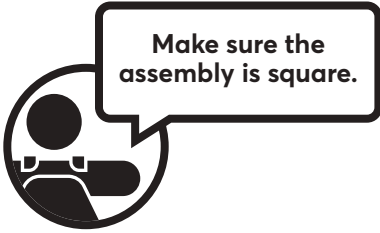
2 x  7.9 x 114.3 mm (5/16 x 4-1/2") (FW2, LW2, TN2)

2 x  #8 x 63.5 mm (#8 x 2-1/2")

15




Assemble T-Nuts first with hammer!



Hardware

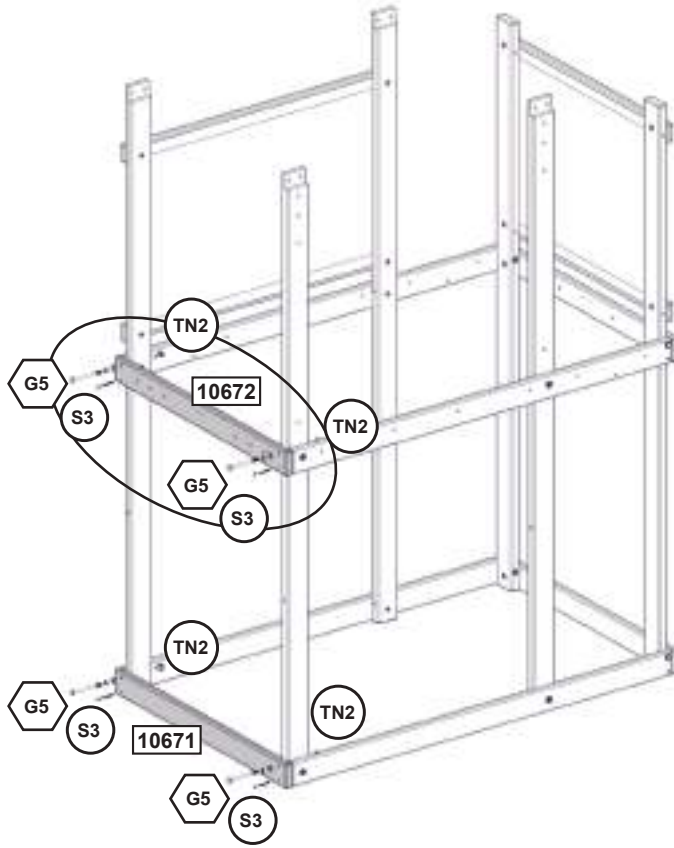
2 x  7.9 x 114.3 mm (5/16 x 4-1/2") (FW2, LW2, TN2)

2 x  #8 x 63.5 mm (#8 x 2-1/2")

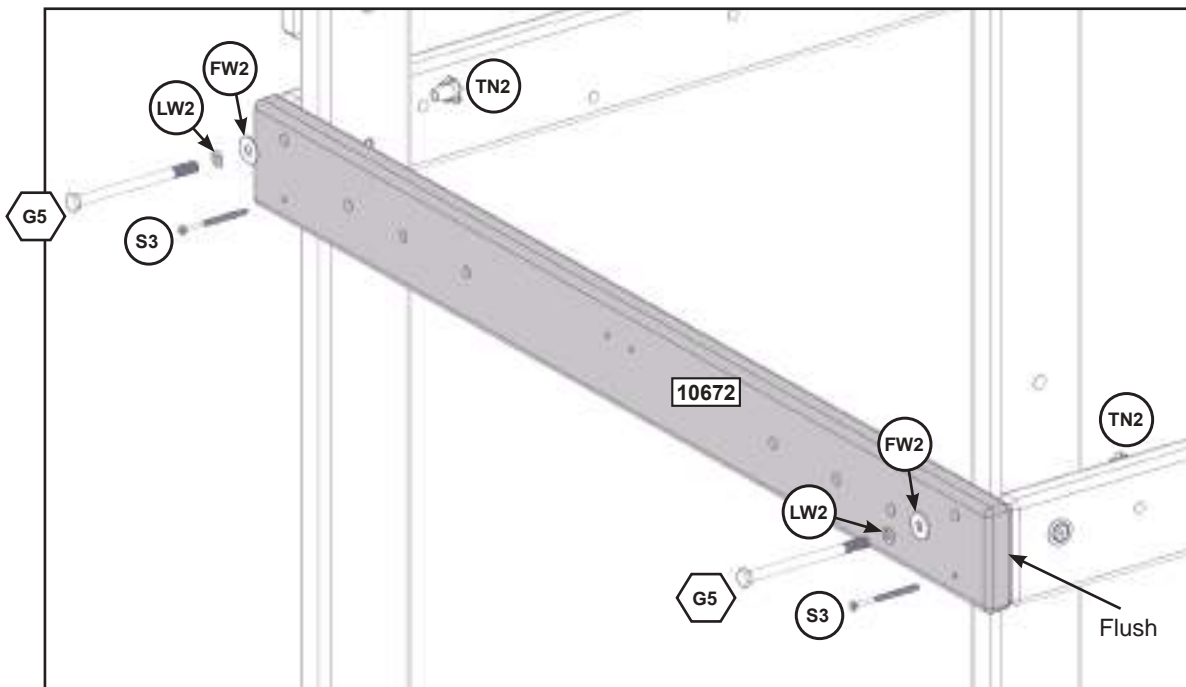
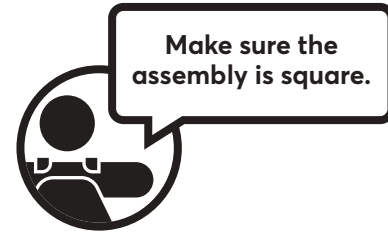
europecustomerservice@kidkraft.com
+31 20 305 8620
M-F from 09:00 to 17:30 (GMT+1)

parts.kidkraft.eu





Assemble T-Nuts first with hammer!



Wood Parts

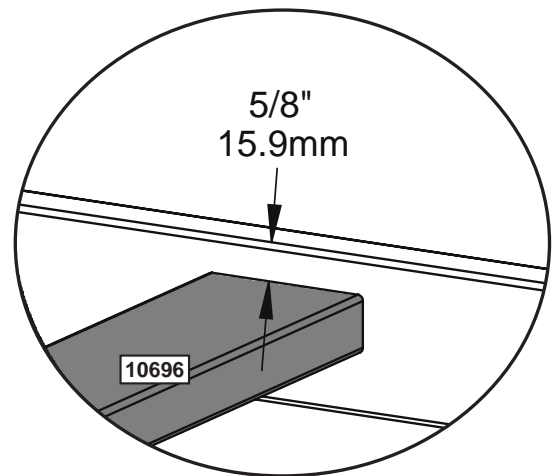
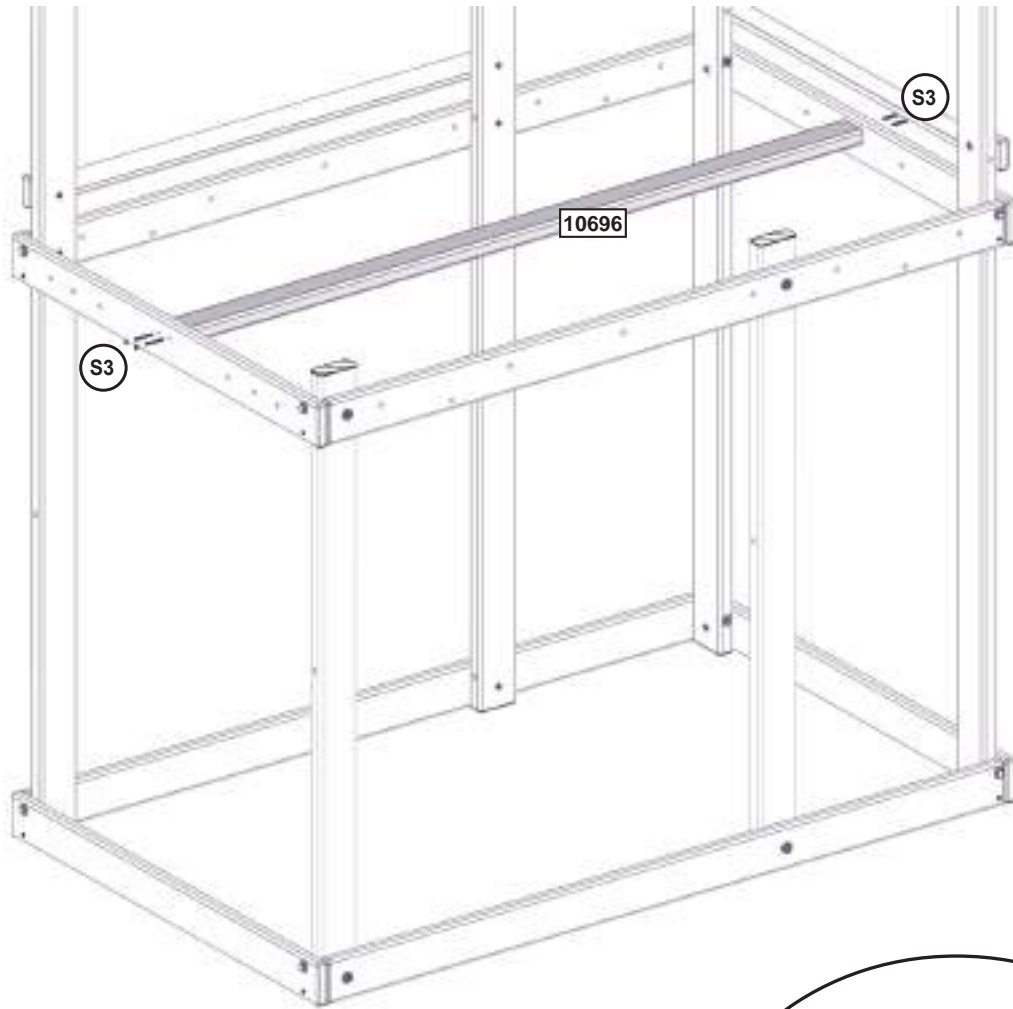
- 1 x **10671** 25.4 x 88.9 x 965.2 mm (1" x 3 1/2" x 38")
- 1 x **10672** 25.4 x 88.9 x 965.2 mm (1" x 3 1/2" x 38")

Hardware

- 4 x **G5** 7.9 x 114.3 mm (5/16 x 4-1/2") (FW2, LW2, TN2)
- 4 x **S3** #8 x 63.5 mm (#8 x 2-1/2")

17

Note: Structure partly removed for clarity.



Wood Parts

1 x 10696 31.8 x 63.5 x 1547 mm (1 1/4" x 2 1/2" x 60 29/32")

Hardware

4 x S3 #8 x 63.5 mm (#8 x 2-1/2")

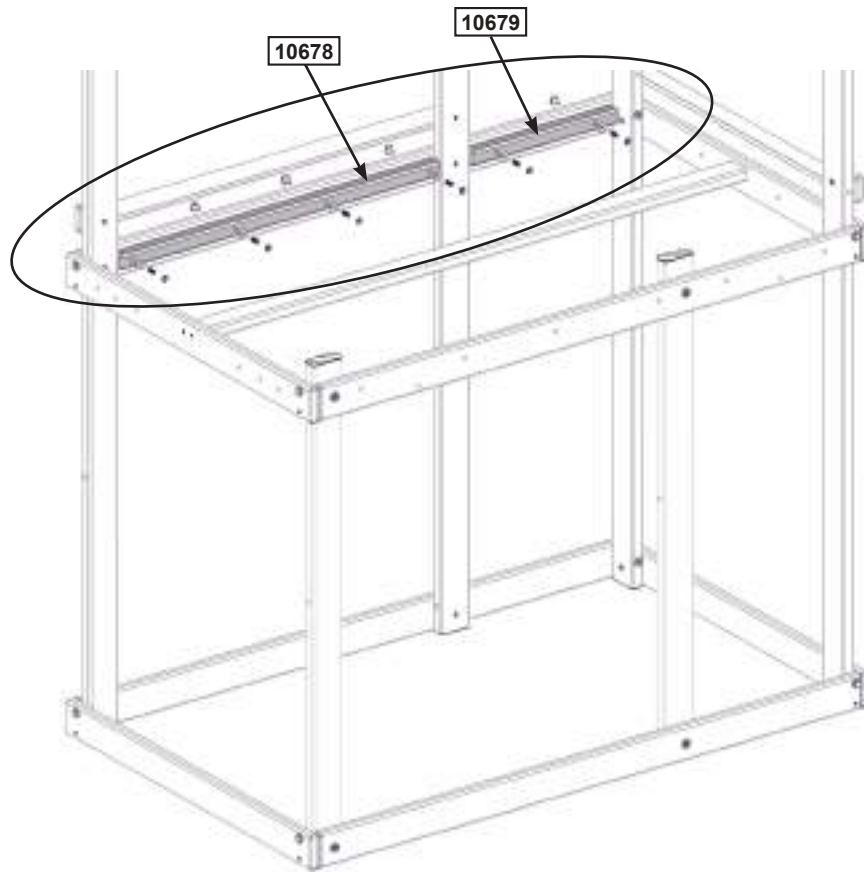
europcustomerservice@kidkraft.com
 +31 20 305 8620
 M-F from 09:00 to 17:30 (GMT+1)

parts.kidkraft.eu

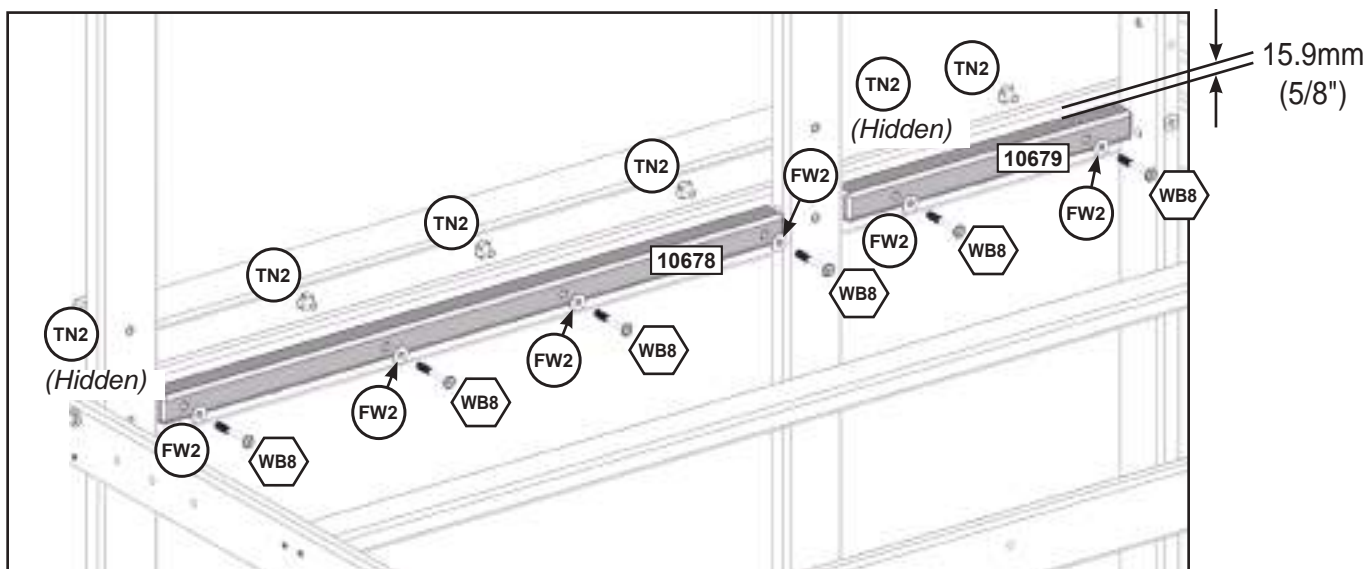




Note: Structure partly removed for clarity.



Assemble T-Nuts first with hammer!



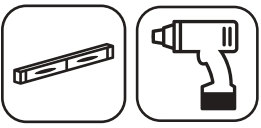
Wood Parts

- 1 x 10678 38.1 x 38.1 x 912.2 mm (1 1/2" x 1 1/2" x 35 29/32")
- 1 x 10679 38.1 x 38.1 x 418.1 mm (1 1/2" x 1 1/2" x 16 29/64")

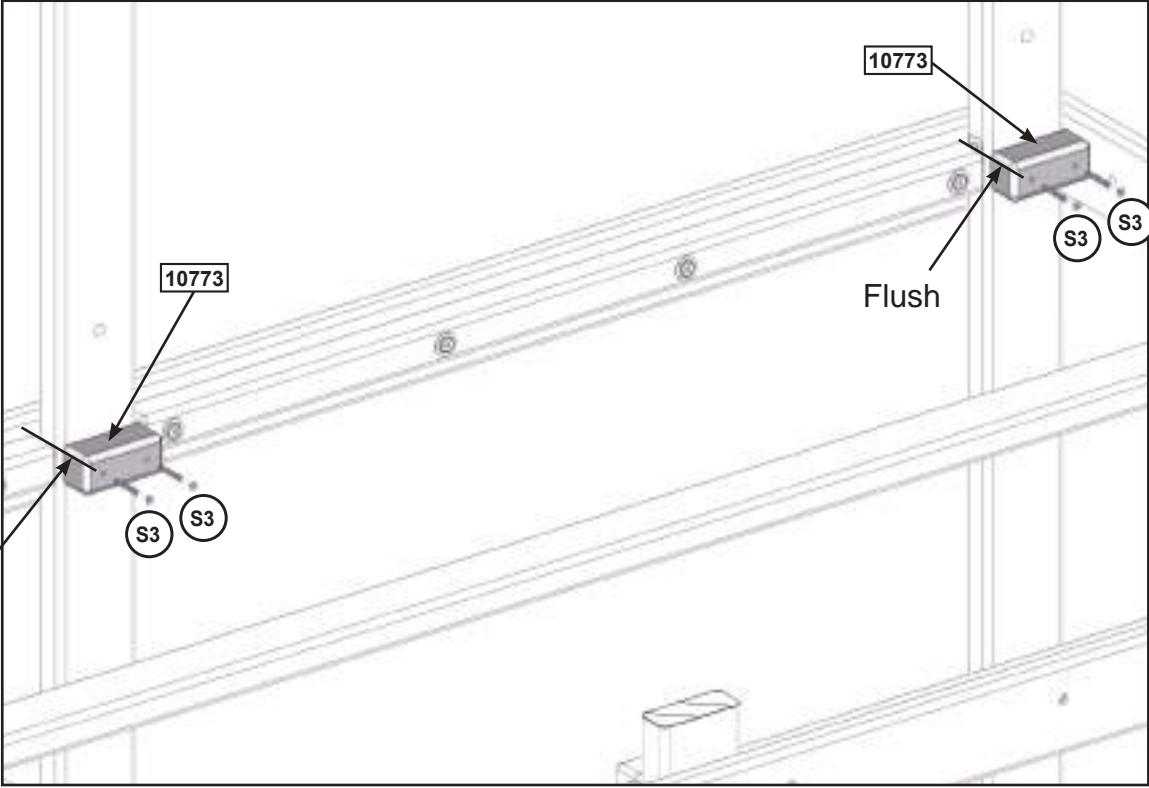
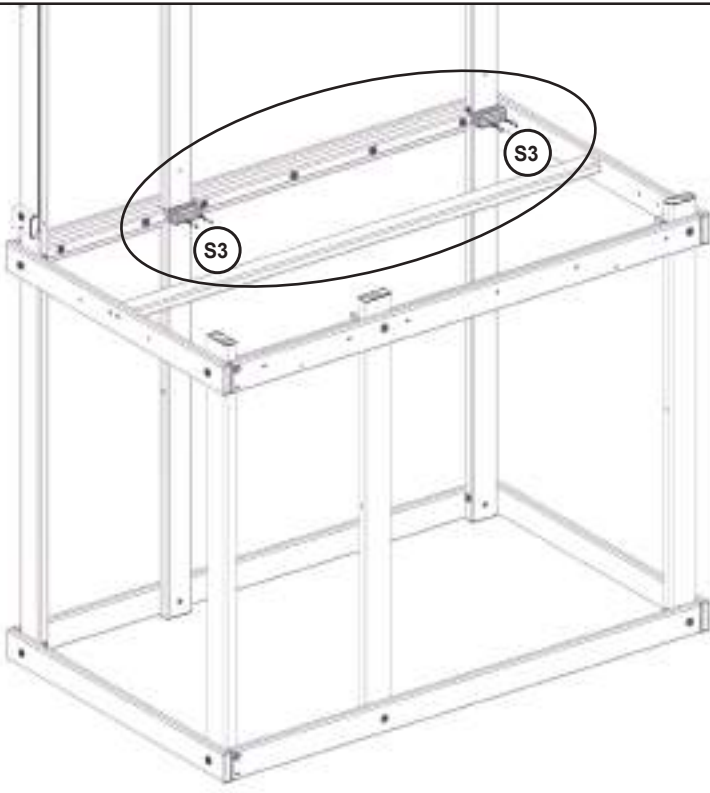
Hardware

- 6 x WB8 7.9 x 60.3 mm (5/16 x 2-3/8")(FW2, TN2)

19



Note: Structure partly removed for clarity.



Wood Parts

Hardware

2 x 38.1 x 38.1 x 85.7 mm (1 1/2" x 1 1/2" x 3 3/8")

4 x #8 x 63.5 mm (#8 x 2-1/2")

europecustomerservice@kidkraft.com
+31 20 305 8620
M-F from 09:00 to 17:30 (GMT+1)

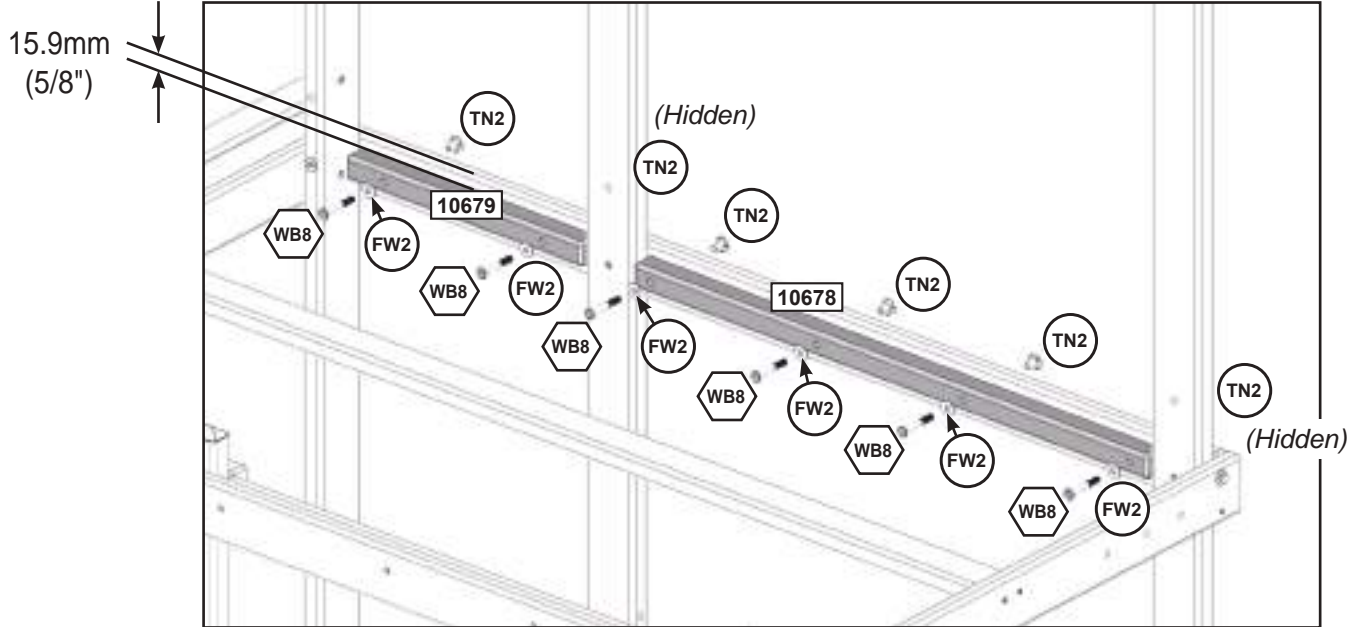
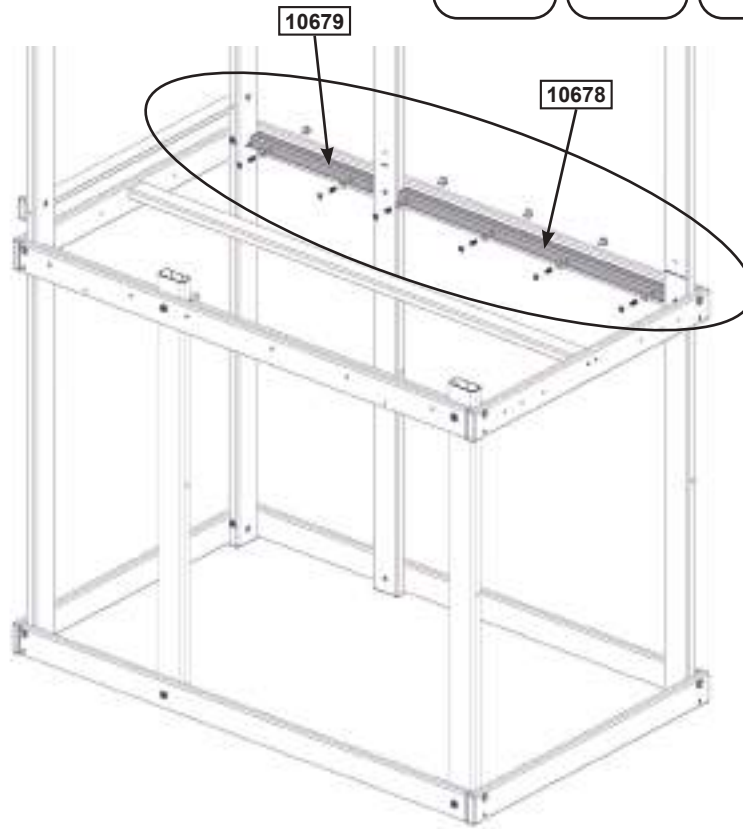
parts.kidkraft.eu





Note: Structure partly removed for clarity.

Assemble T-Nuts first with hammer!



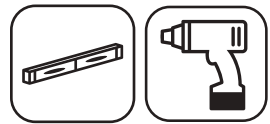
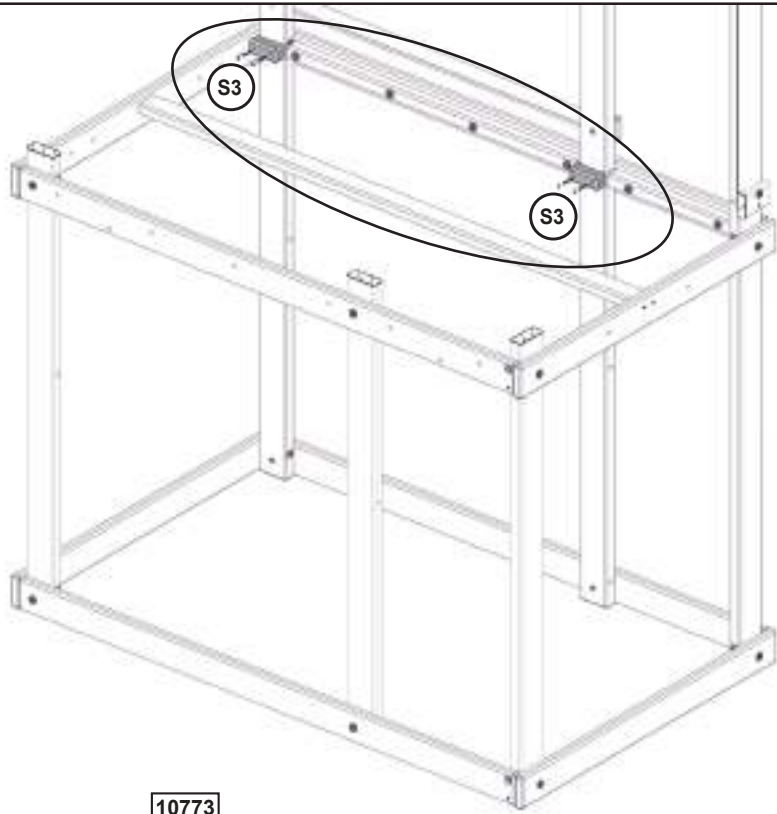
Wood Parts

- 1 x 10678 38.1 x 38.1 x 912.2 mm (1 1/2" x 1 1/2" x 35 29/32")
- 1 x 10679 38.1 x 38.1 x 418.1 mm (1 1/2" x 1 1/2" x 16 29/64")

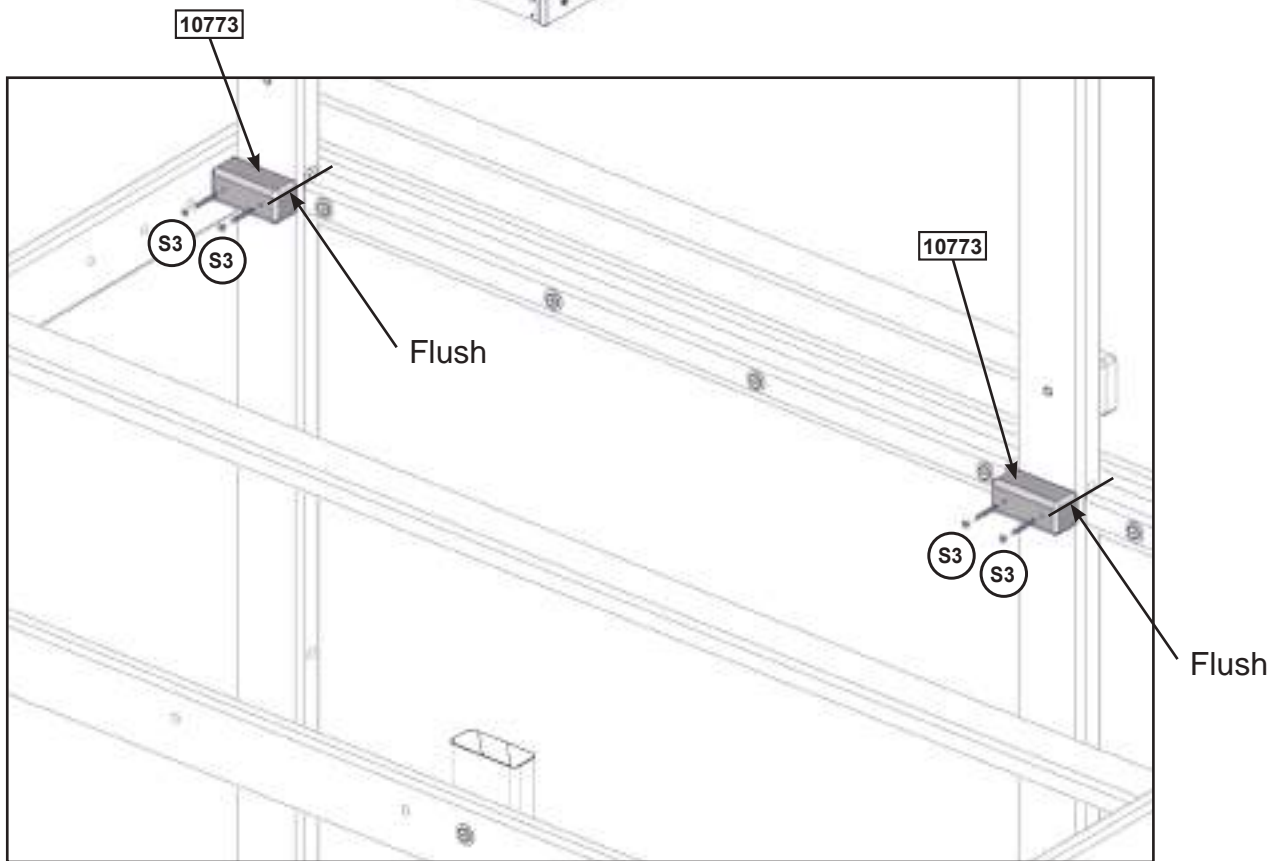
Hardware

- 6 x WB8 7.9 x 60.3 mm (5/16 x 2-3/8")(FW2, TN2)

21



Note: Structure partly removed for clarity.



Wood Parts

2 x **10773** 38.1 x 38.1 x 85.7 mm (1 1/2" x 1 1/2" x 3 3/8")

Hardware

4 x **S3** #8 x 63.5 mm (#8 x 2-1/2")

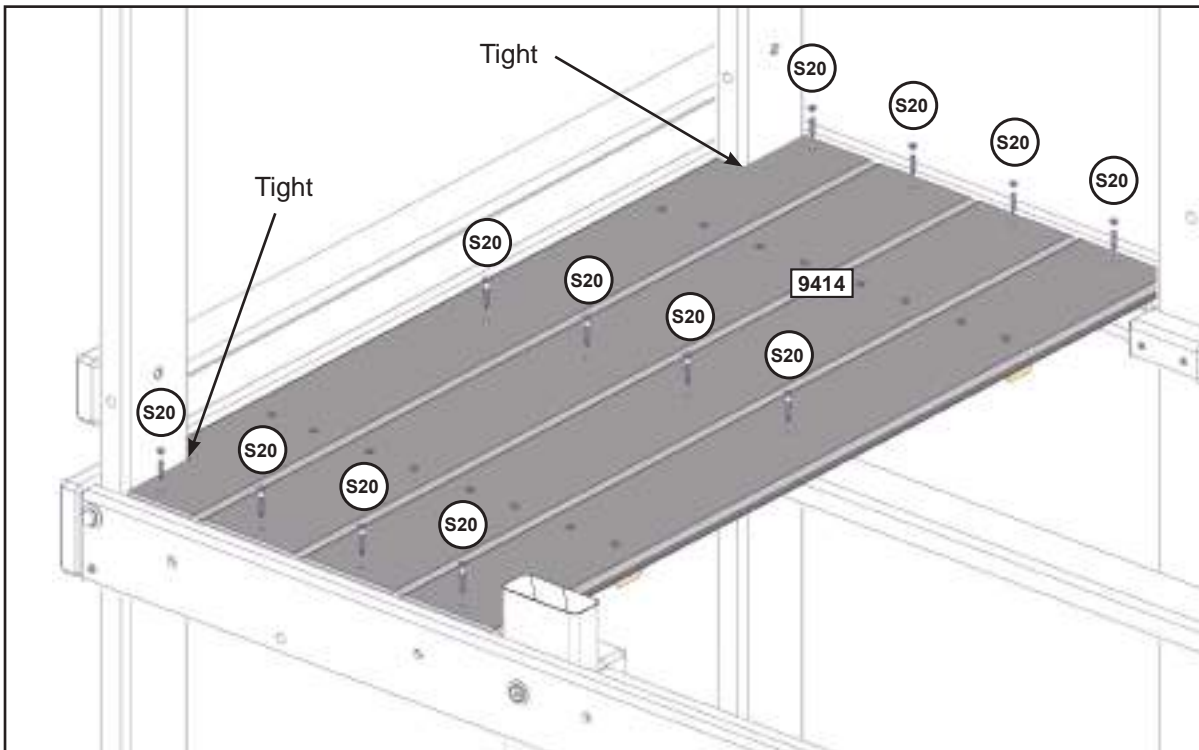
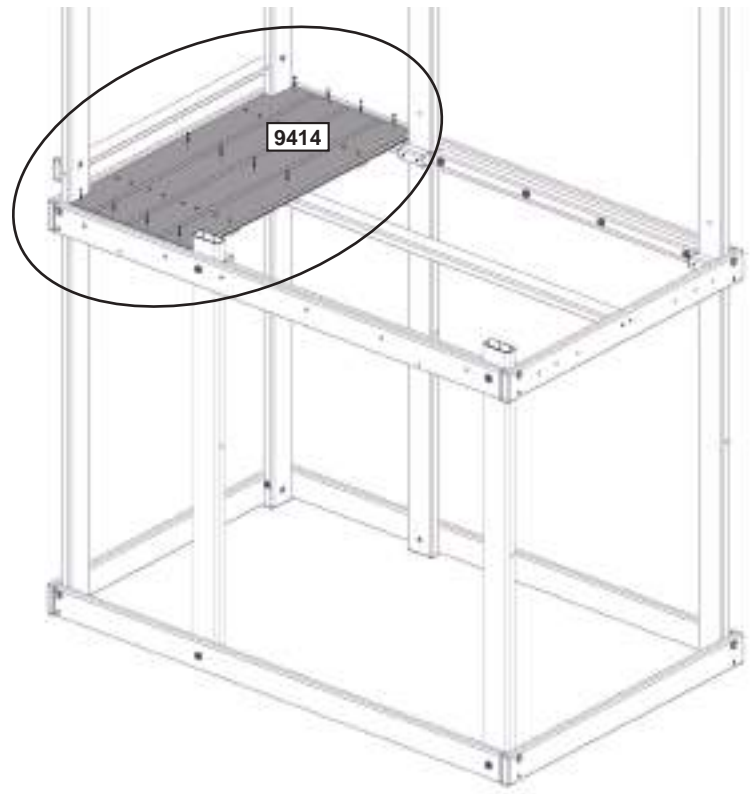
europecustomerservice@kidkraft.com
 +31 20 305 8620
 M-F from 09:00 to 17:30 (GMT+1)

parts.kidkraft.eu





Note: Structure partly removed for clarity.



Wood Parts

1 x 9414 31.8 x 457.2 x 914.4mm (1 1/4" x 18" x 36")

Hardware

12 x S20 #8 x 34.9 mm (#8 x 1-3/8")

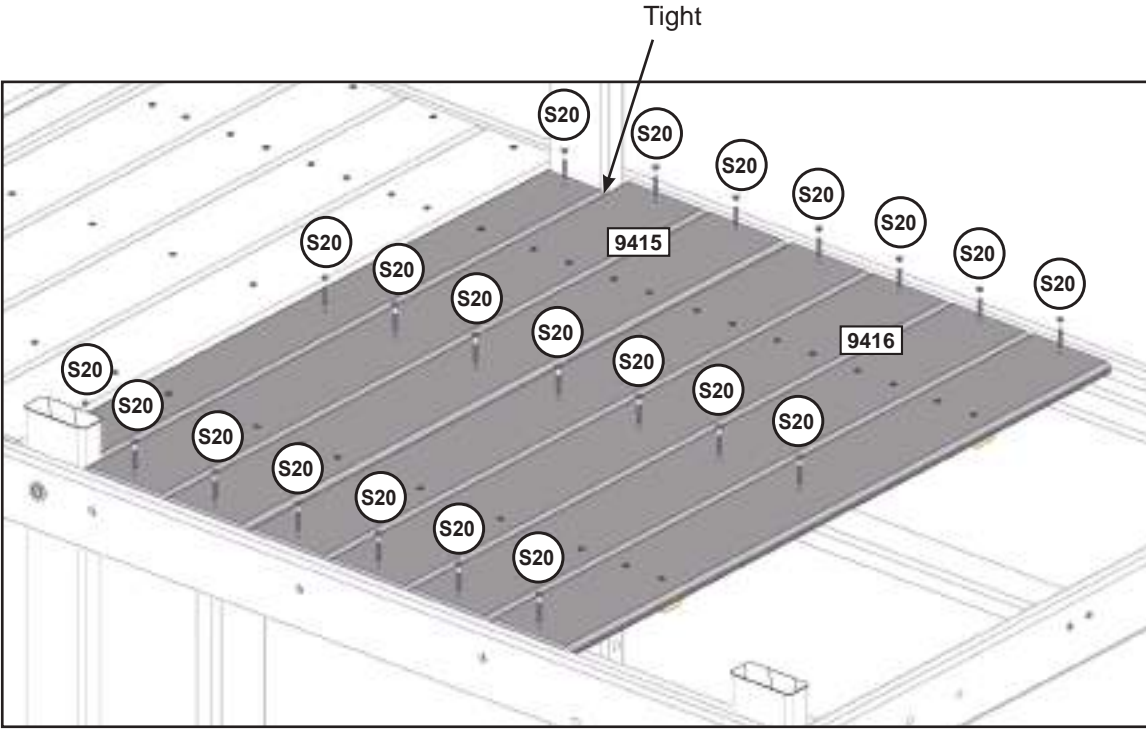
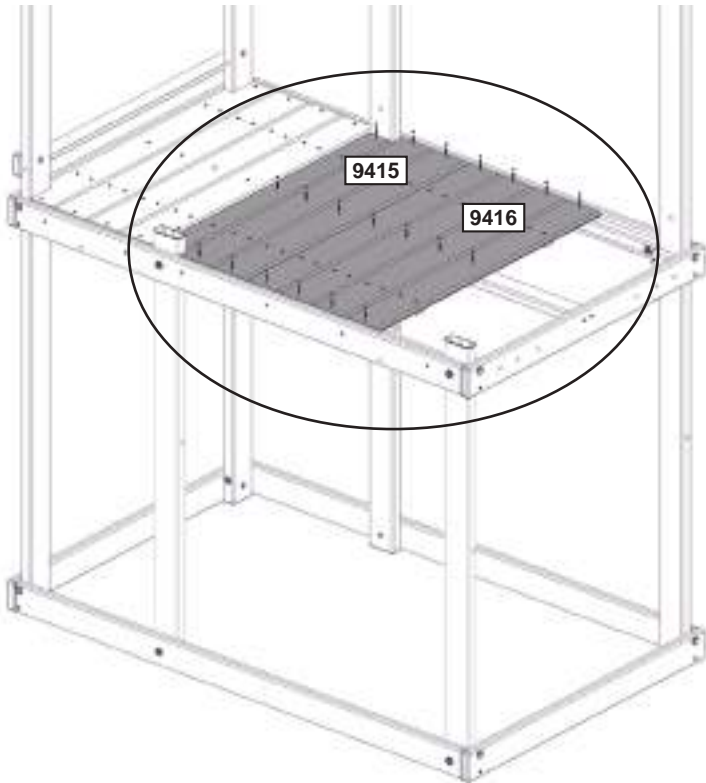


parts.kidkraft.com

customerservice@kidkraft.com
1.800.933.0771
972.385.0100



Note: Structure partly removed for clarity.



Wood Parts

- 1 x 9415 31.8 x 314.3 x 914.4mm (1 1/4 x 12 3/8 x 36")
- 1 x 9416 31.8 x 457.2 x 914.4mm (1 1/4 x 18 x 36")

Hardware

- 21 x S20 #8 x 34.9 mm (#8 x 1-3/8")

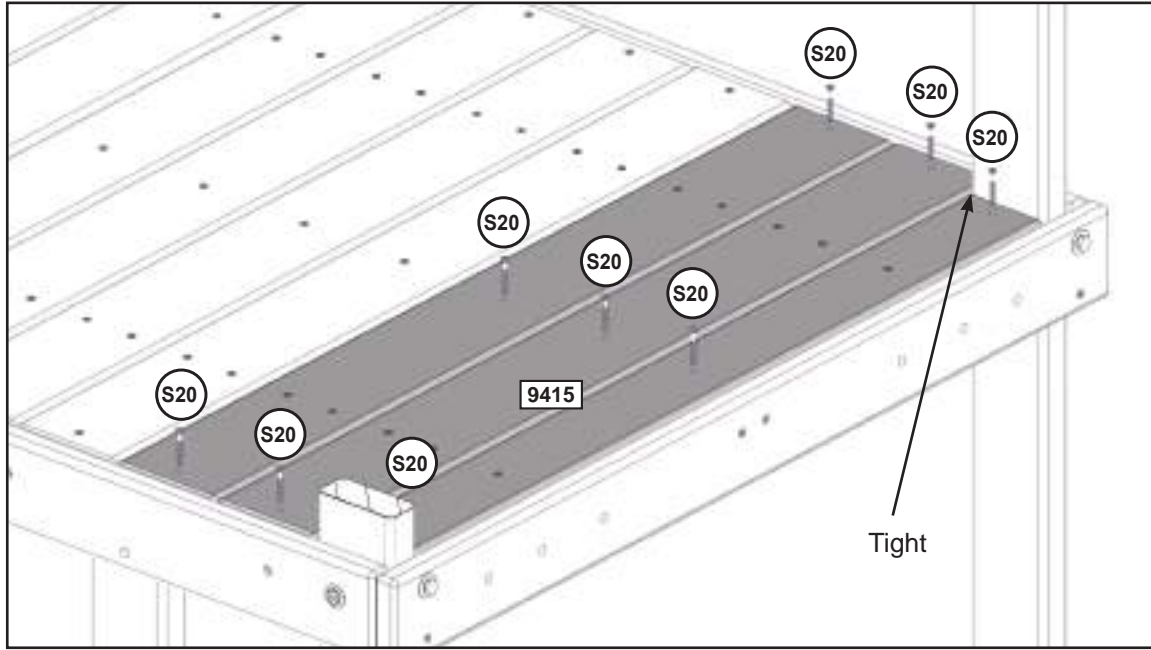
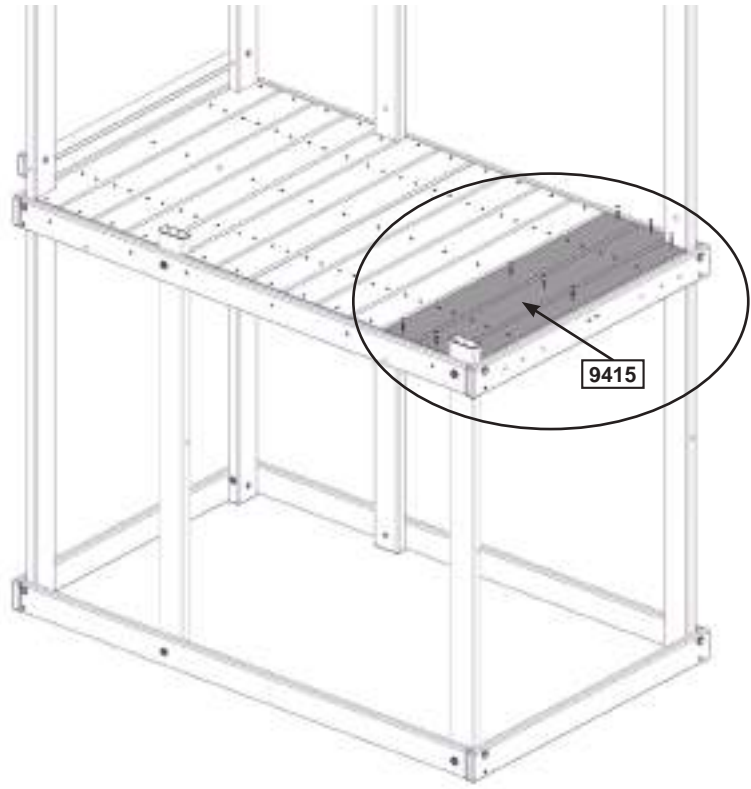
europecustomerservice@kidkraft.com
 +31 20 305 8620
 M-F from 09:00 to 17:30 (GMT+1)

parts.kidkraft.eu





Note: Structure partly removed for clarity.



Wood Parts

1 x 9415 31.8 x 314.3 x 914.4mm (1 1/4 x 12 3/8 x 36")

Hardware

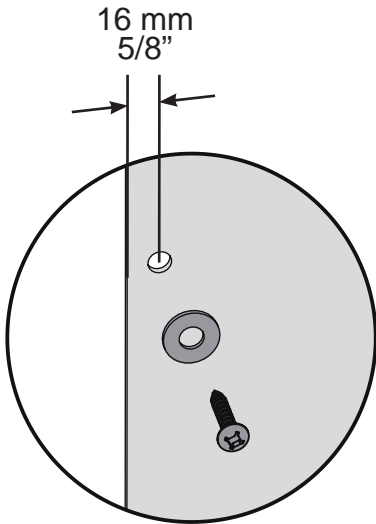
9 x S20 #8 x 34.9 mm (#8 x 1-3/8")



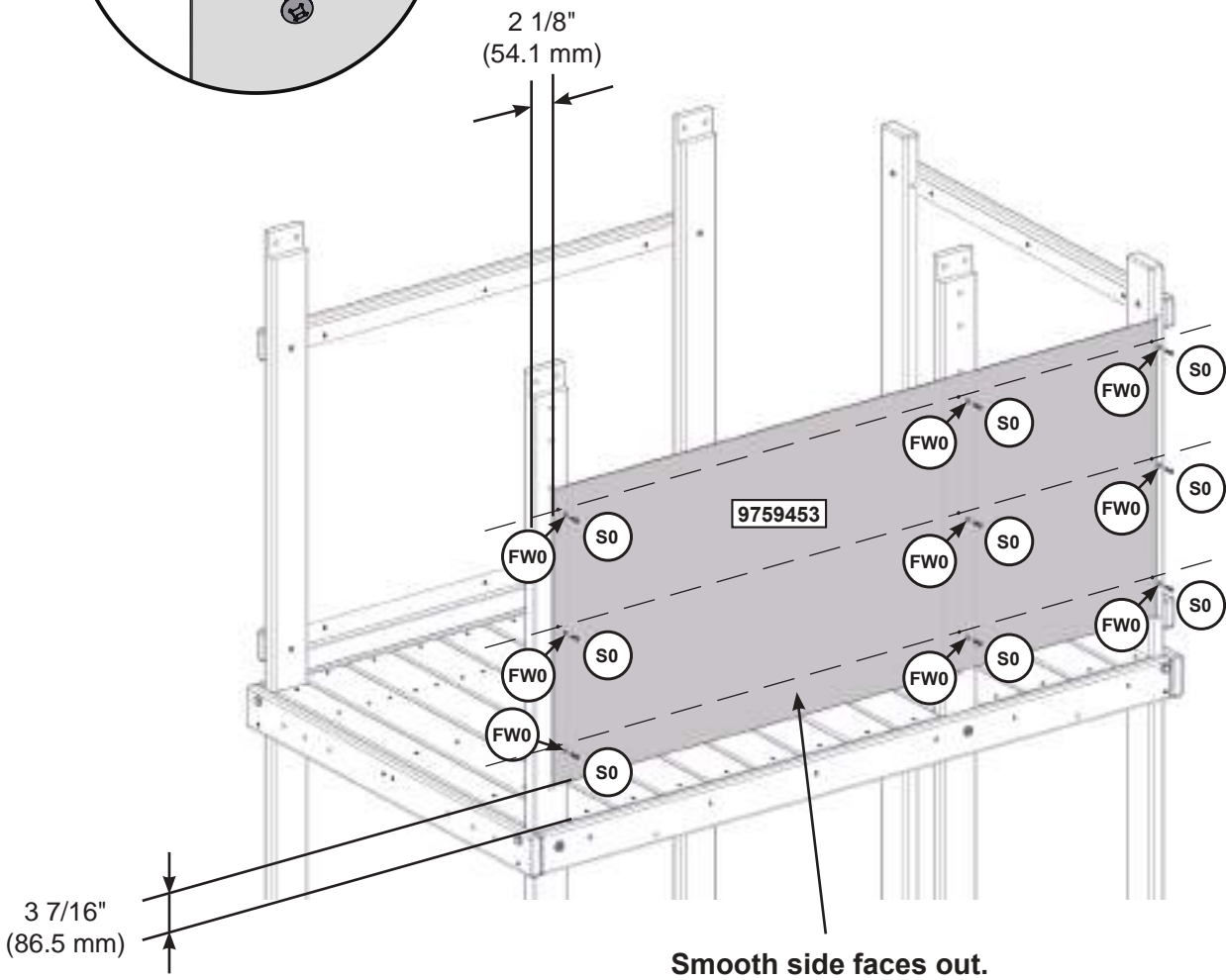
parts.kidkraft.com

customerservice@kidkraft.com
1.800.933.0771
972.385.0100

Note: Structure partly removed for clarity.



Lay the fabric on the frame at the location shown. Have an adult helper keep the fabric taut as you drill the hardware through the fabric into the frame following the provided dimensions.



Hardware

9 x #8 x 22.2 mm (#8 x 7/8") (FW0)

Other Parts

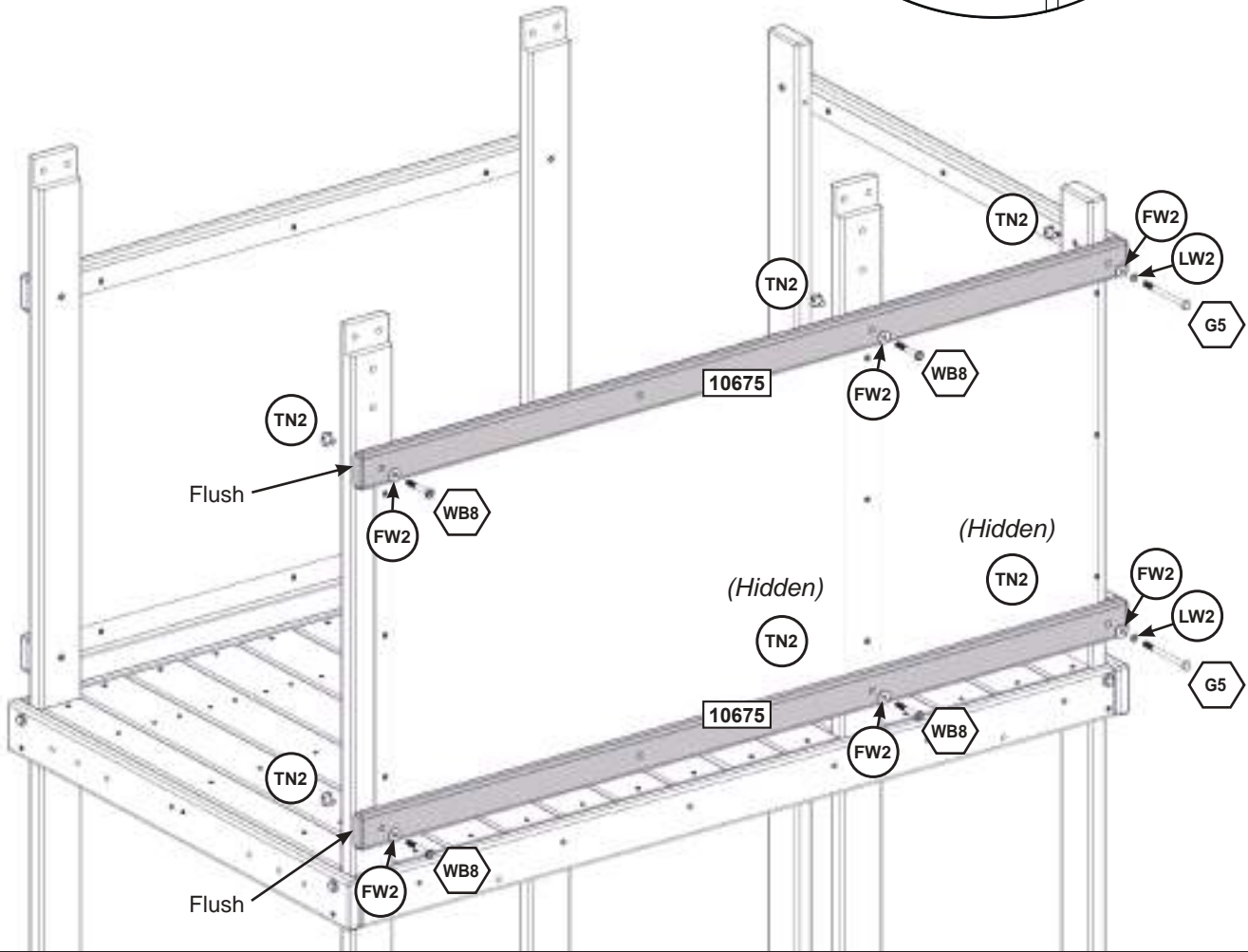
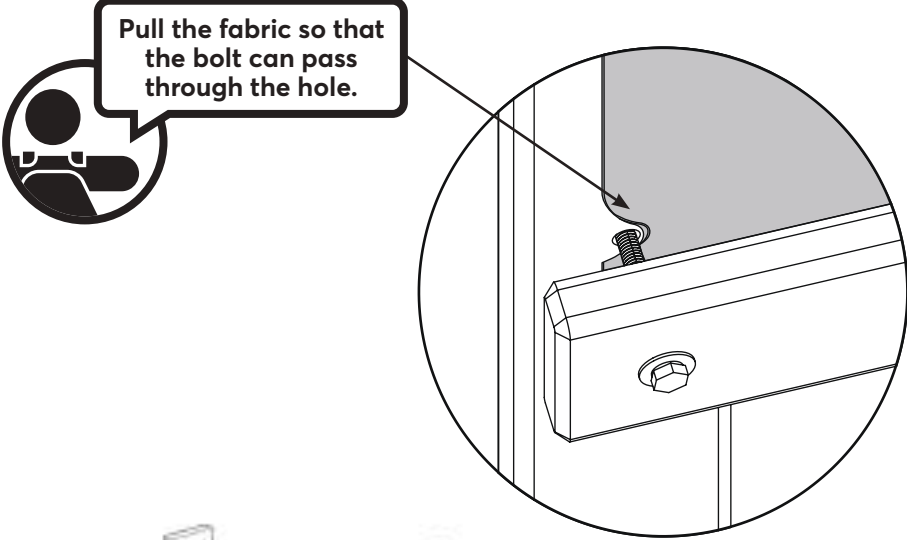
1 x





Note: Structure partly removed for clarity.

Assemble T-Nuts first with hammer!



Wood Parts

2 x 10675 25.4 x 63.5 x 1574 mm (1" x 2 1/2" x 61 31/32")

Hardware

4 x WB8 7.9 x 60.3 mm (5/16 x 2-3/8") (FW2, TN2)

2 x G5 7.9 x 114.3 mm (5/16 x 4-1/2") (FW2, LW2, TN2)



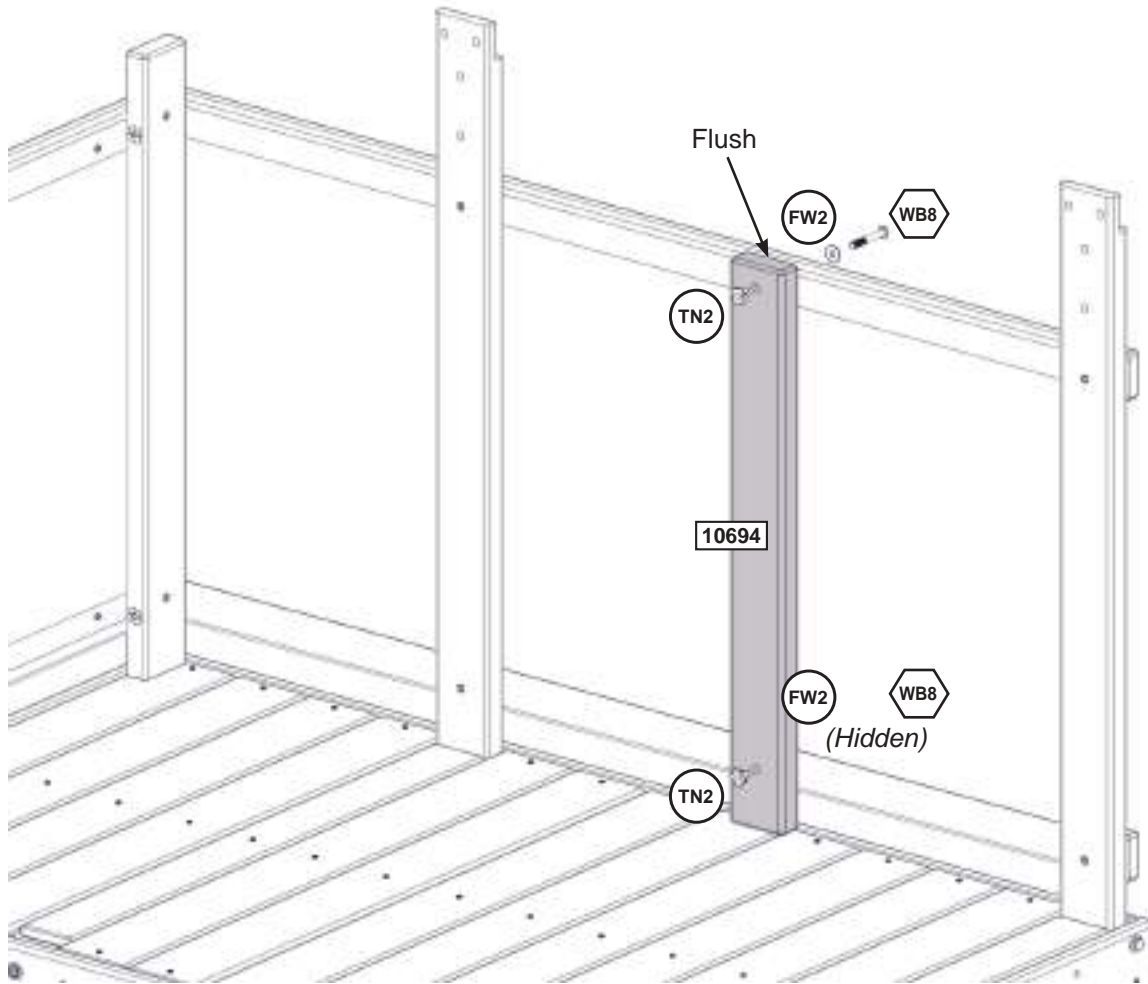
parts.kidkraft.com

customerservice@kidkraft.com
1.800.933.0771
972.385.0100



Note: Structure partly removed for clarity.

Assemble T-Nuts first with hammer!



Wood Parts

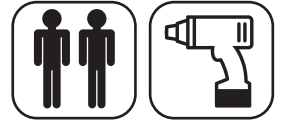
1 x **10694** 34.9 x 85.7 x 761.2 mm (1 3/8" x 3 3/8" x 29 31/32")

Hardware

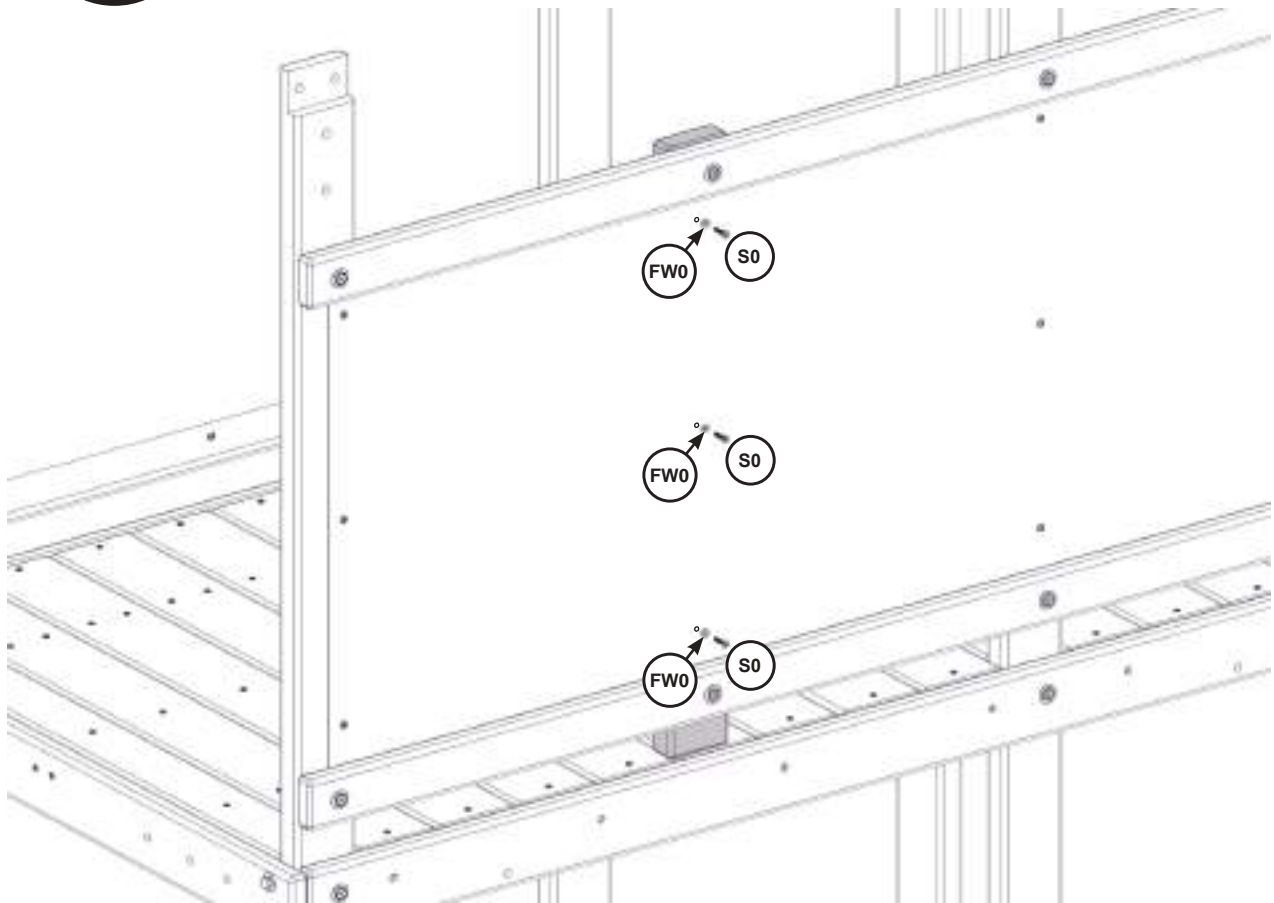
2 x **WB8** 7.9 x 60.3 mm (5/16 x 2-3/8")(FW2, TN2)



Note: Structure partly removed for clarity.



Have an adult helper keep the fabric taut as you drill the hardware through the fabric into the frame following the provided dimensions.



Hardware

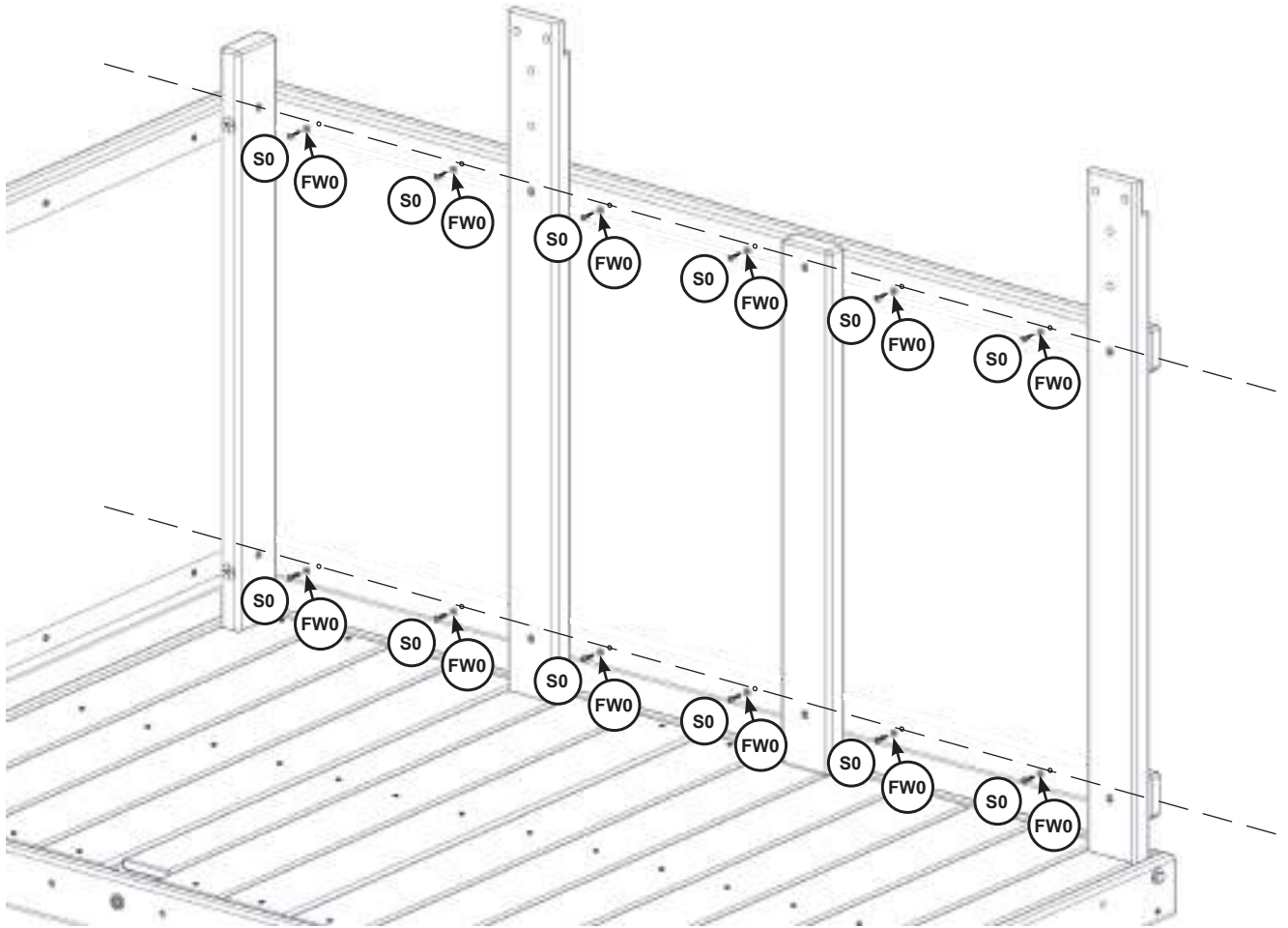
3 x (S0) #8 x 22.2 mm (#8 x 7/8") (FW0)



Note: Structure partly removed for clarity.



Have an adult helper keep the fabric taught as you drill the hardware through the fabric into the frame following the provided dimensions.

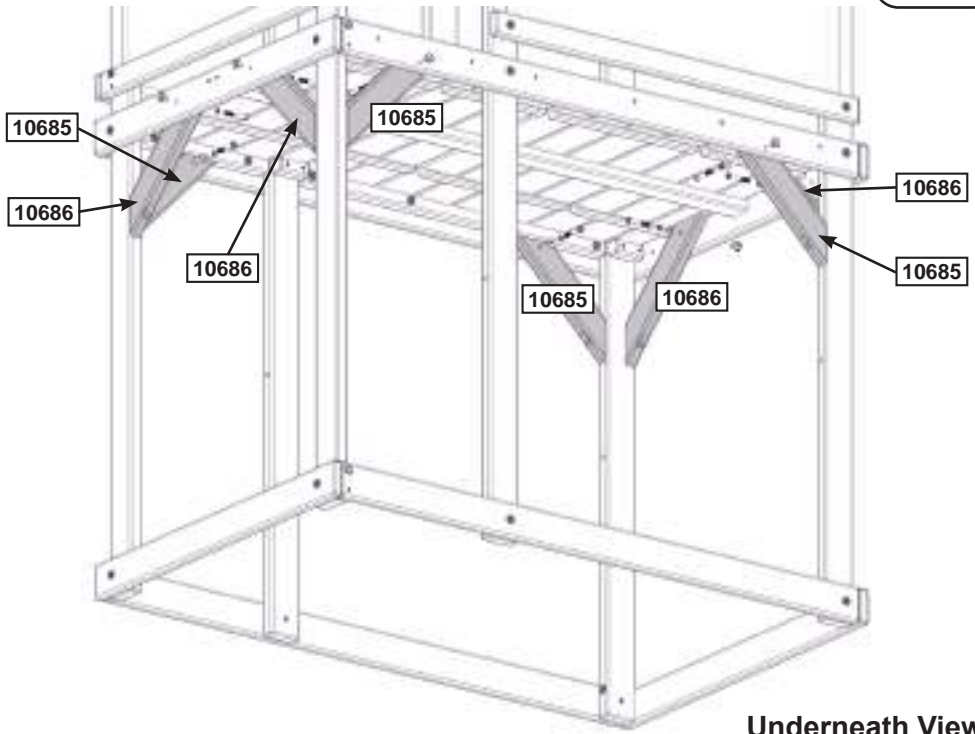


Hardware

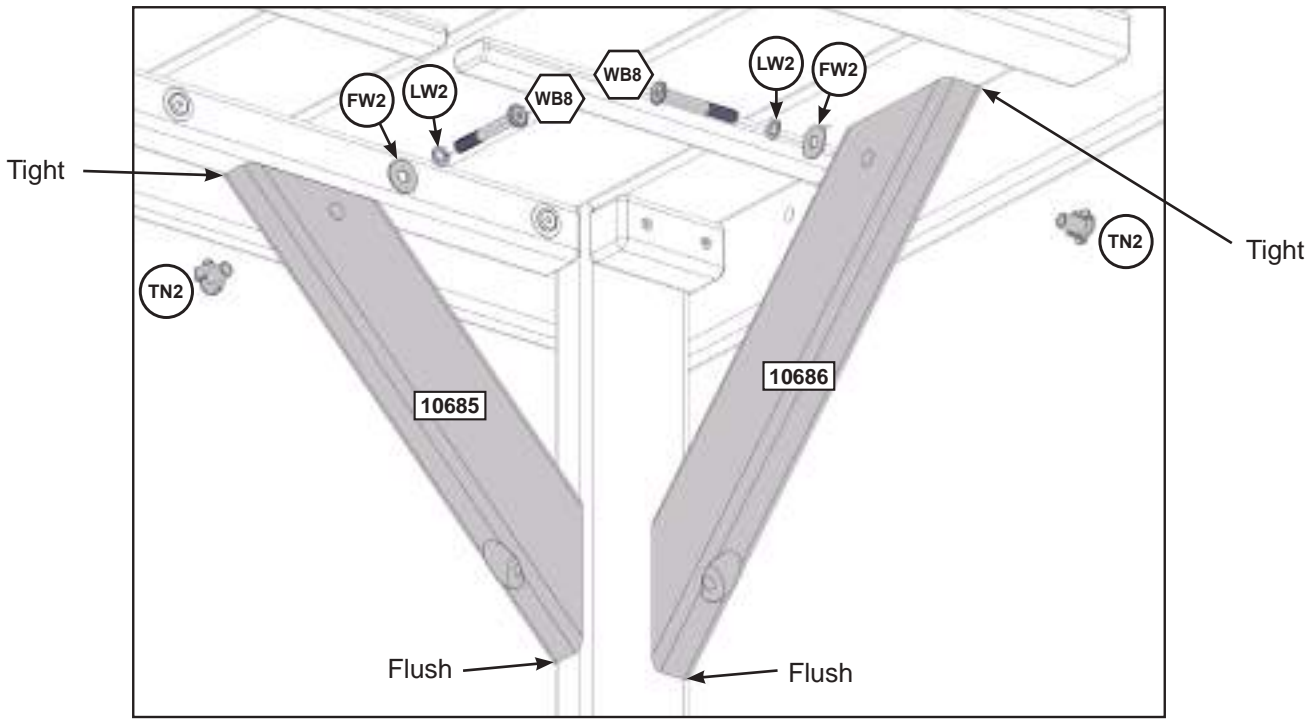
12 x  #8 x 22.2 mm (#8 x 7/8") (FW0)



Note: Structure partly removed for clarity.
Assemble T-Nuts first with hammer!



Underneath View



Inside and Underneath View

Wood Parts

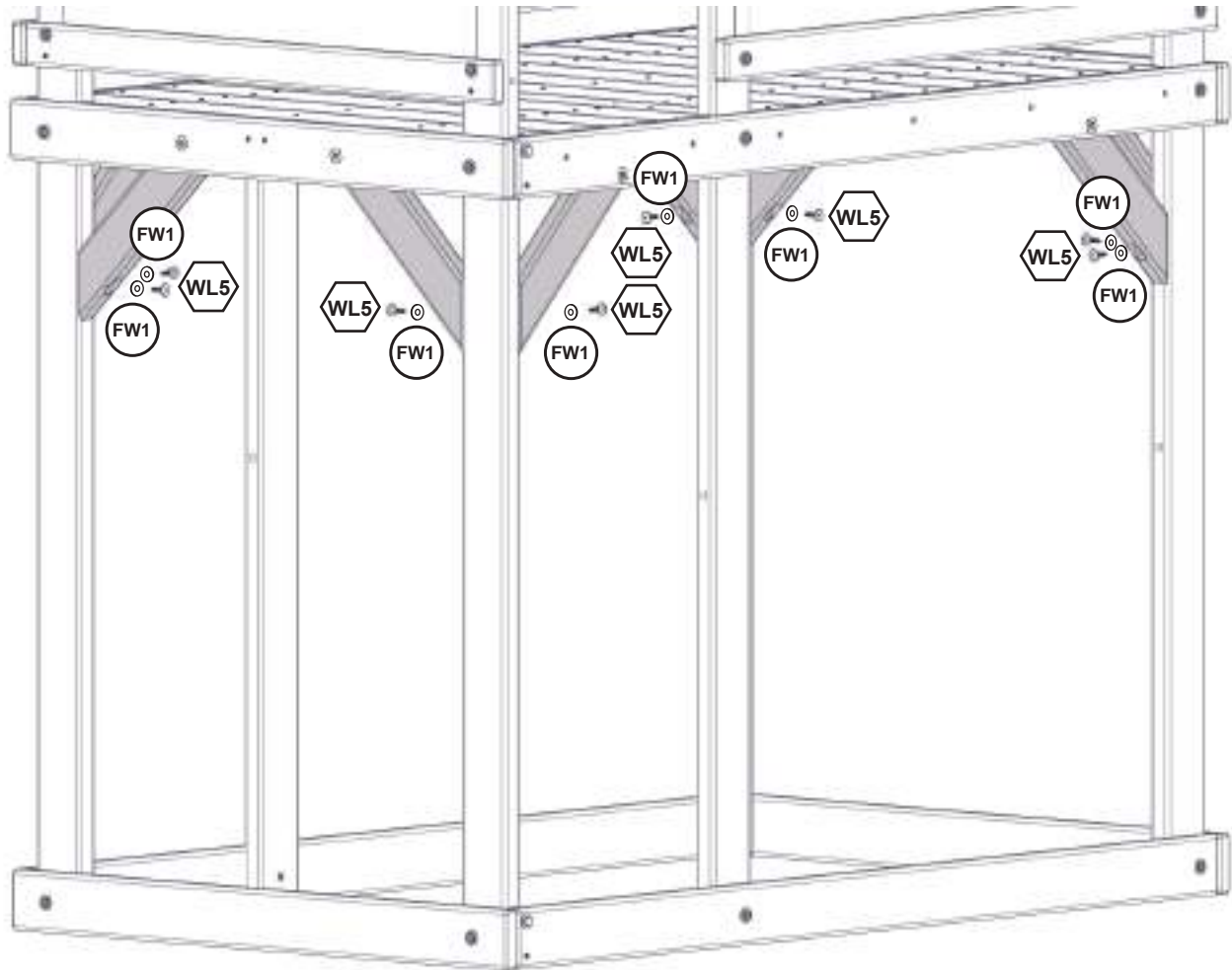
- 4 x **10685** 31.8 x 76.2 x 376 mm (1 1/4" x 3" x 14 51/64")
- 4 x **10686** 31.8 x 76.2 x 430 mm (1 1/4" x 3" x 16 59/64")

Hardware

- 8 x **WB8** 7.9 x 60.3 mm (5/16 x 2-3/8")(LW2, FW2, TN2)

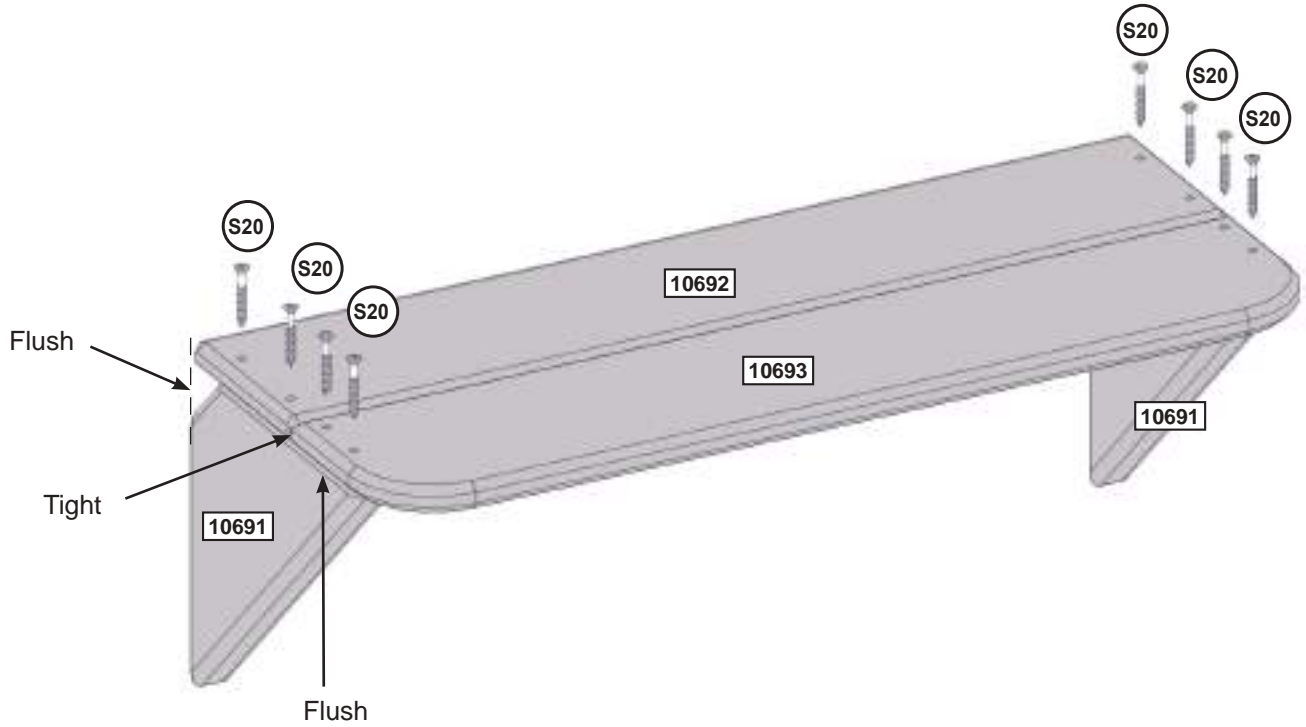


Structure partly removed for clarity



Hardware

8 x  6.4 x 63.5 mm (1/4 x 2-1/2") (FW1)



Wood Parts

- 2 x 10691 25.4 x 114.3 x 265 mm (1" x 4 1/2" x 10 7/16")
- 1 x 10692 15.9 x 114.3 x 560.3 mm (5/8" x 4 1/2" x 22 1/16")
- 1 x 10693 15.9 x 114.3 x 560.3 mm (5/8" x 4 1/2" x 22 1/16")

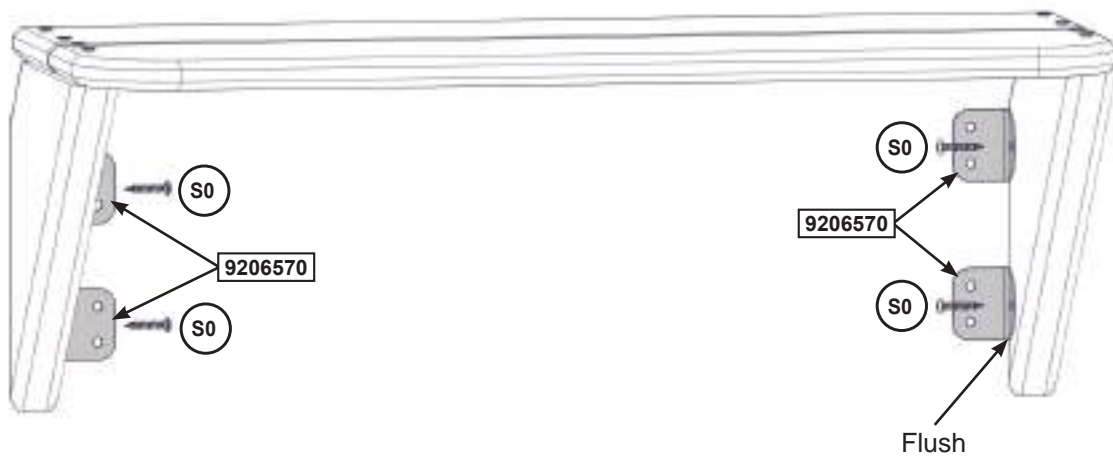
Hardware

- 8 x S20 #8 x 34.9 mm (#8 x 1-3/8")



parts.kidkraft.com

customerservice@kidkraft.com
 1.800.933.0771
 972.385.0100



Hardware

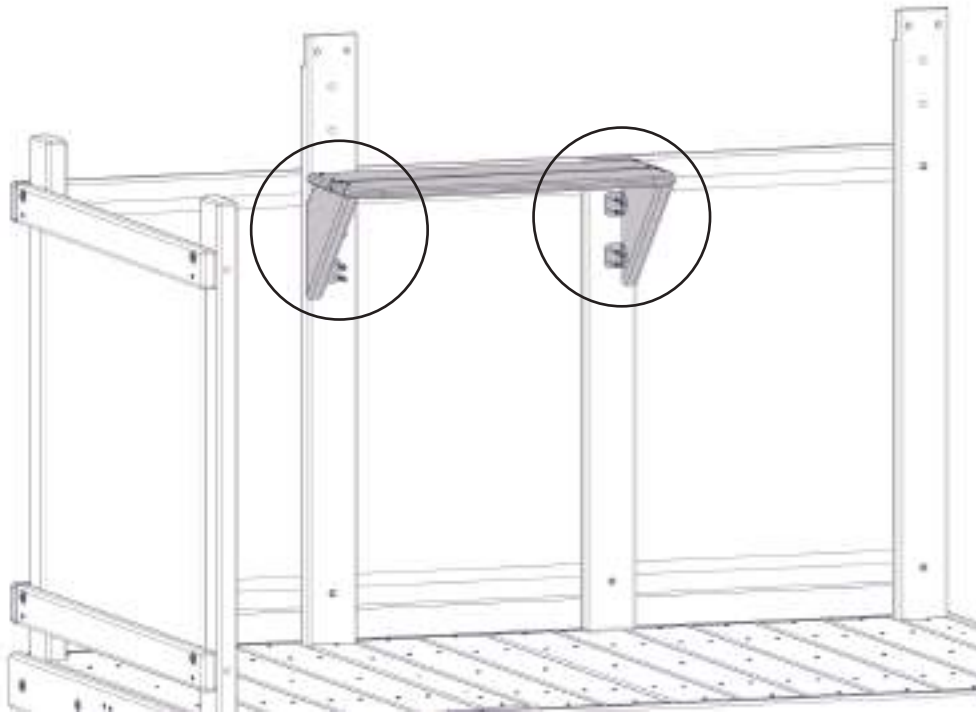
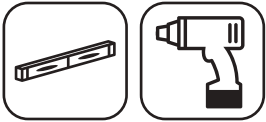
4 x  #8 x 22.2 mm (#8 x 7/8")

Other Parts

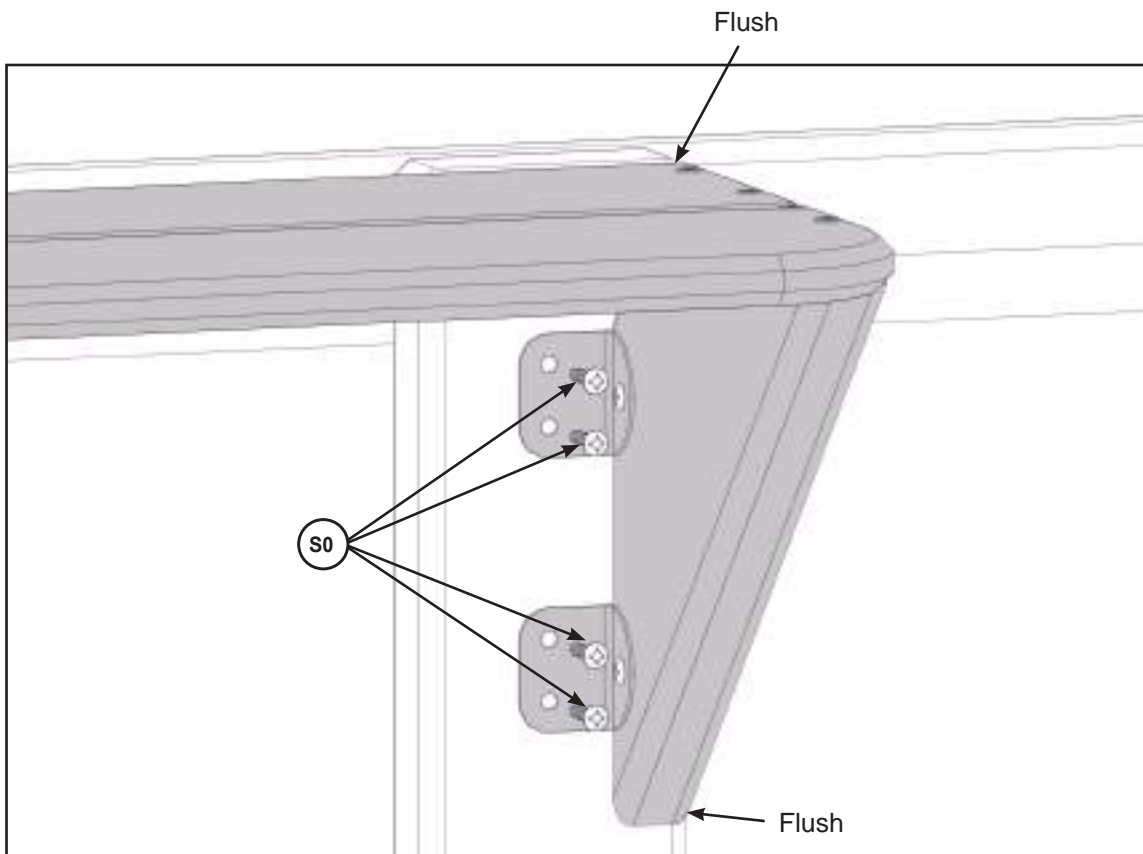
4 x 



34



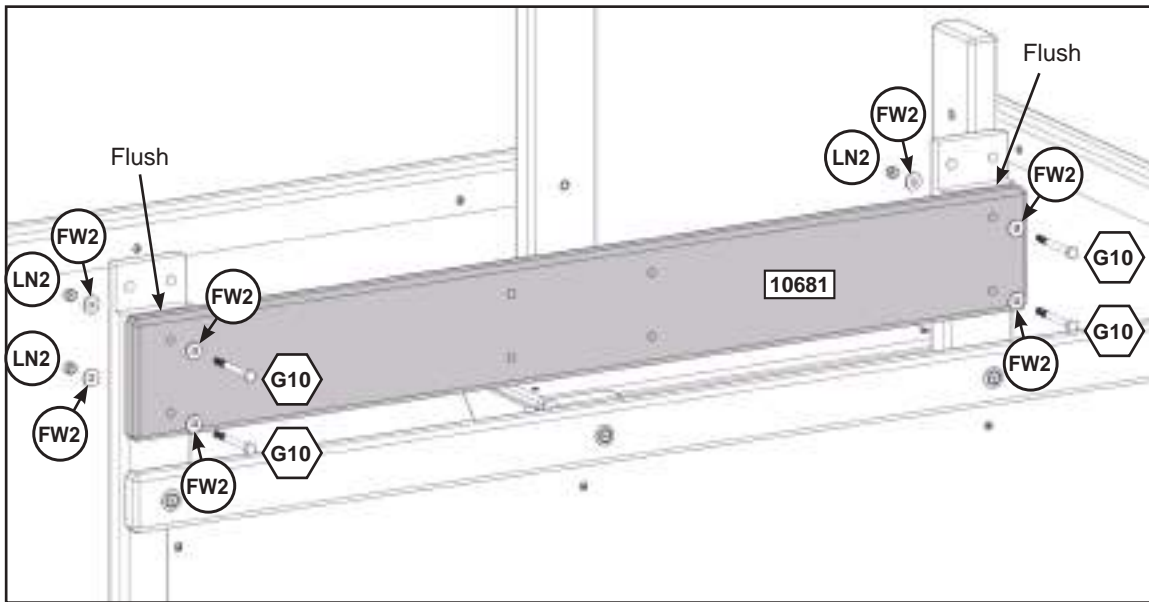
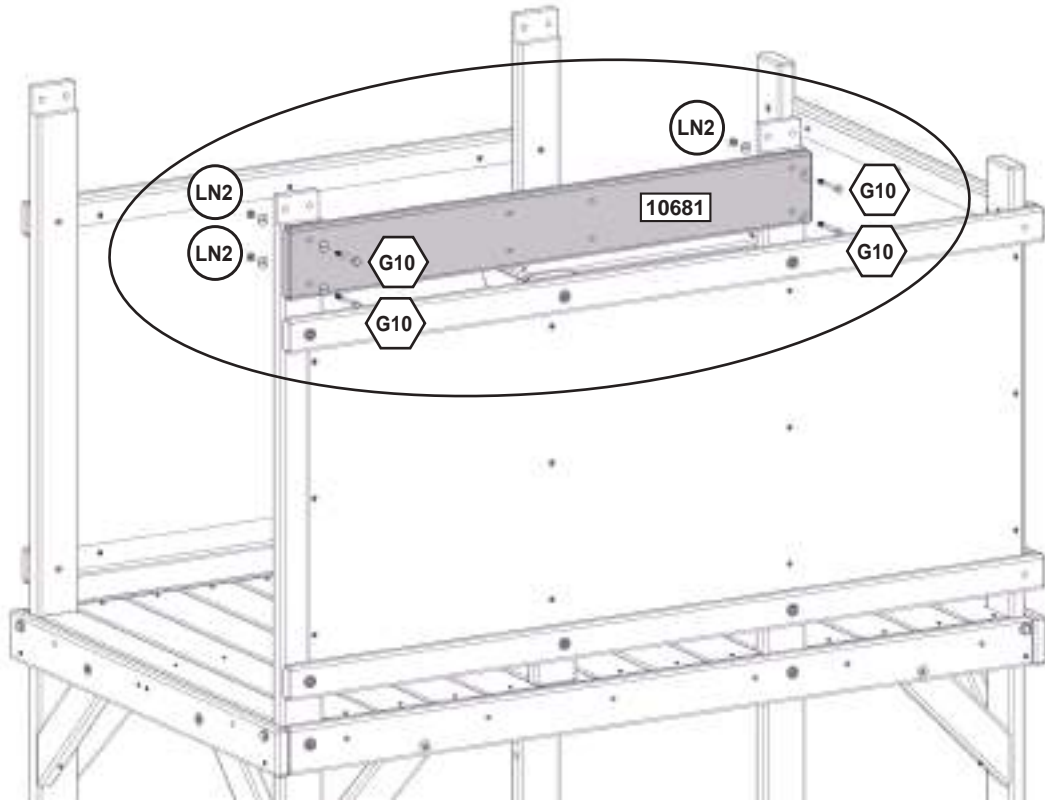
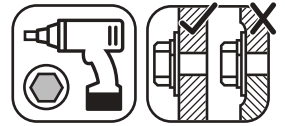
Structure partly removed for clarity



Hardware

8 x  #8 x 22.2 mm (#8 x 7/8")

Structure partly removed for clarity



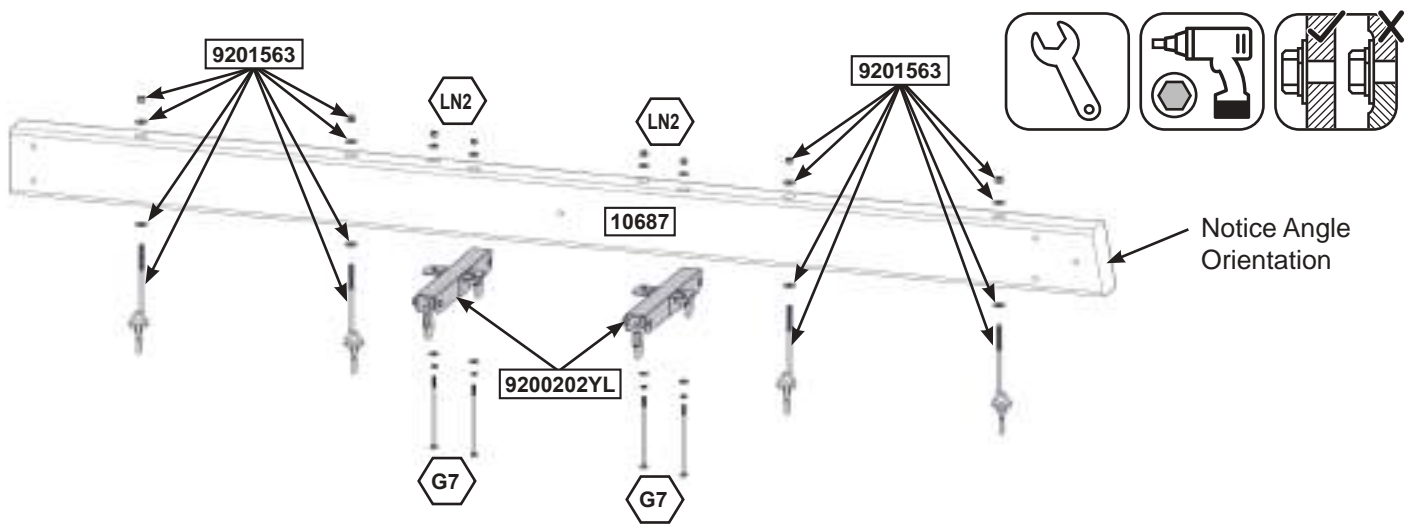
Wood Parts

1 x 10681 31.8 x 133.4 x 1089.6 mm (1 1/4" x 5 1/4" x 42 57/64")

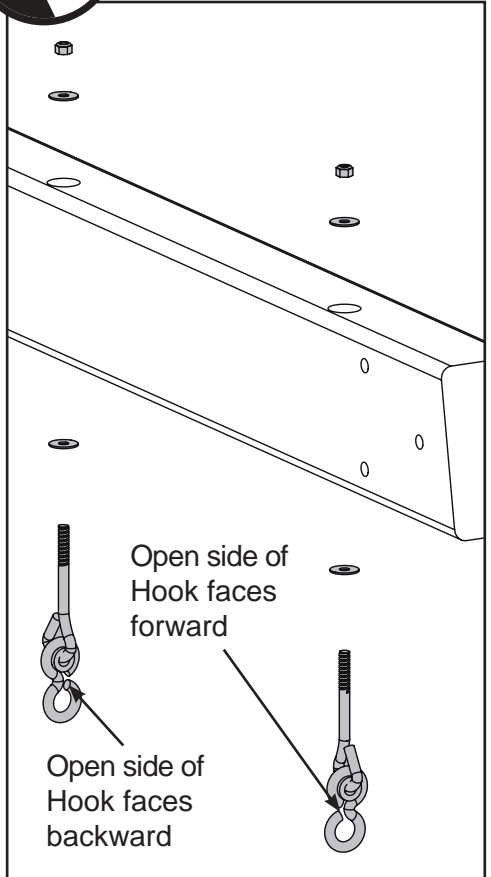
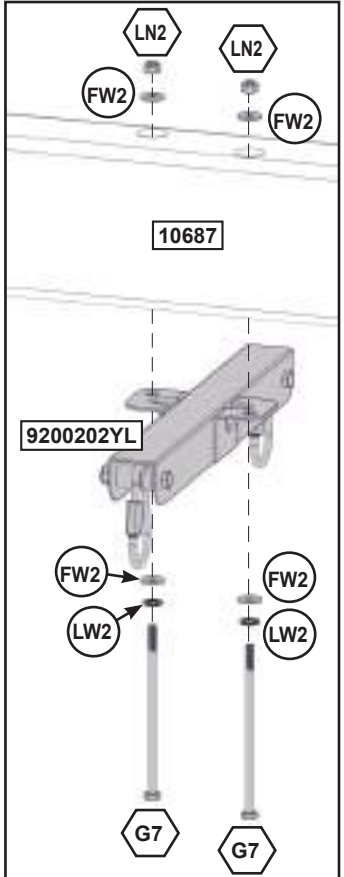
Hardware

4 x G10 7.9 x 76.2 mm (5/16 x 3") (FW2 x 2, LN2)





For each swing position, ensure the open sides of the hooks face AWAY from each other.



⚠️ WARNING: For your child's safety, orientate the swing hangers as shown to ensure your swing will have proper swing motion when installed. Failure to do so could result in premature failure of the swing hanger or swing chain.

Wood Parts

1 x 10687 76.2 x 133.4 x 2235.2 mm (3" x 5 1/4" x 88")

Hardware

4 x G7 7.9 x 139.7 mm (5/16 x 5-1/2") (LW2, FW2 x 2, LN2)

Other Parts

4 x 9201563
2 x 9200202YL

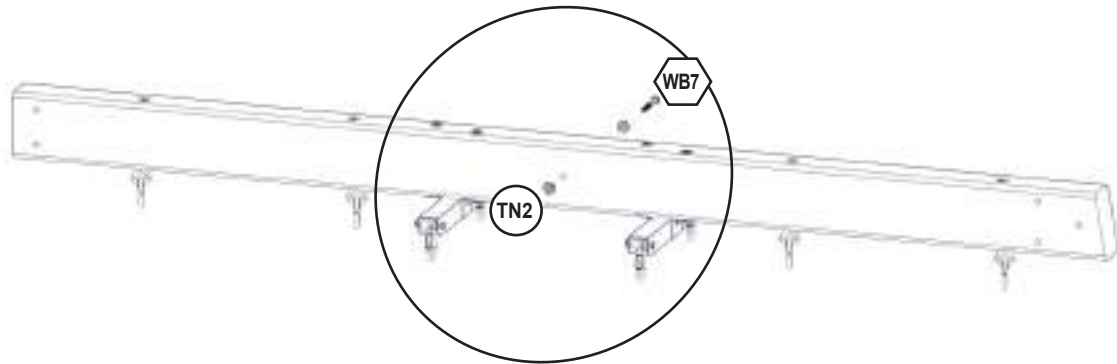


parts.kidkraft.com

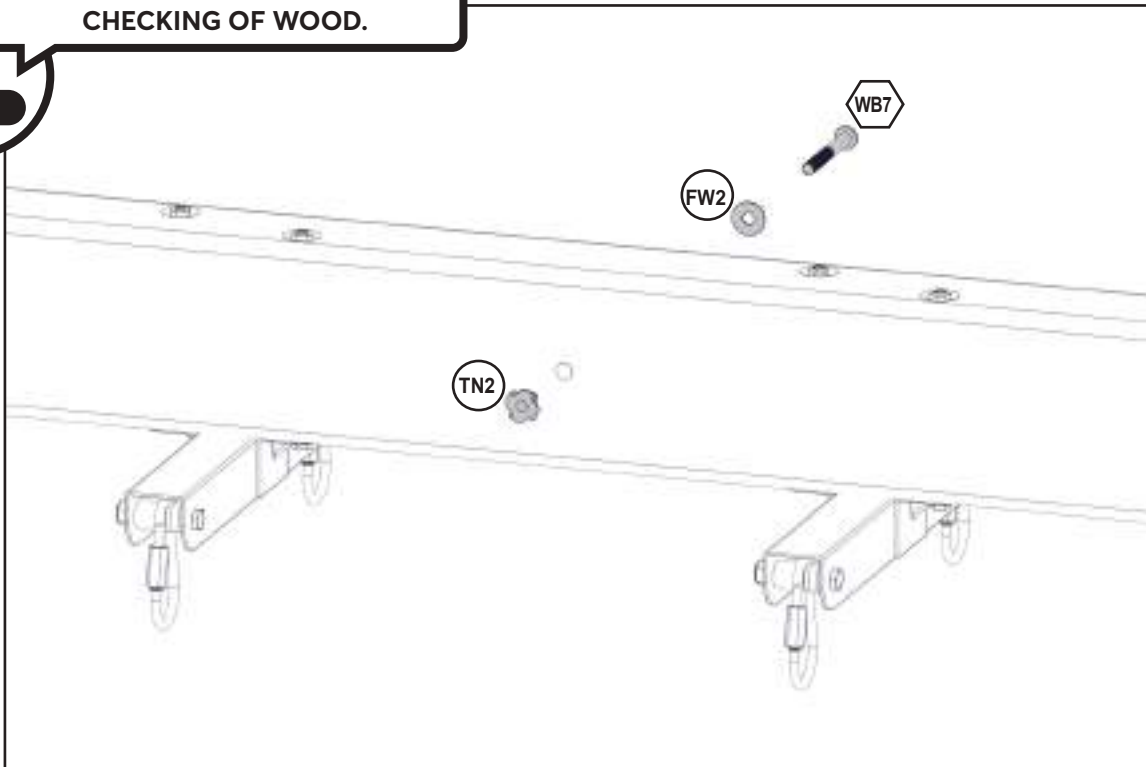
customerservice@kidkraft.com
1.800.933.0771
972.385.0100

37

Assemble T-Nuts first with hammer!



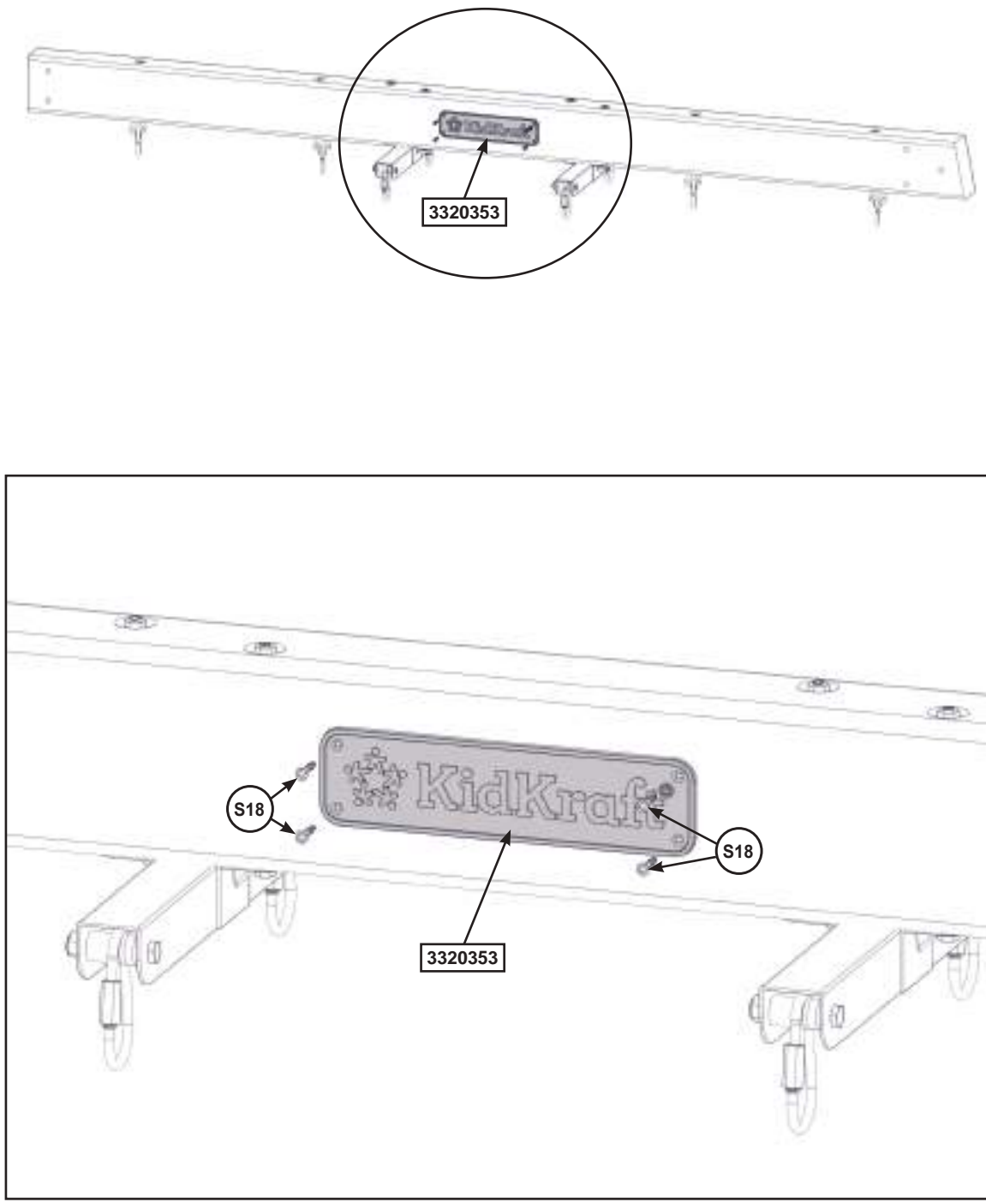
IT IS IMPORTANT THAT THIS BOLT IS ATTACHED. IT WILL MINIMIZE CHECKING OF WOOD.



Hardware

1 x  7.9 x 76.2 mm (5/16 x 3") (FW2, TN2)





Hardware

4 x **S18** #6 x 25.4 mm (#6 x 1")

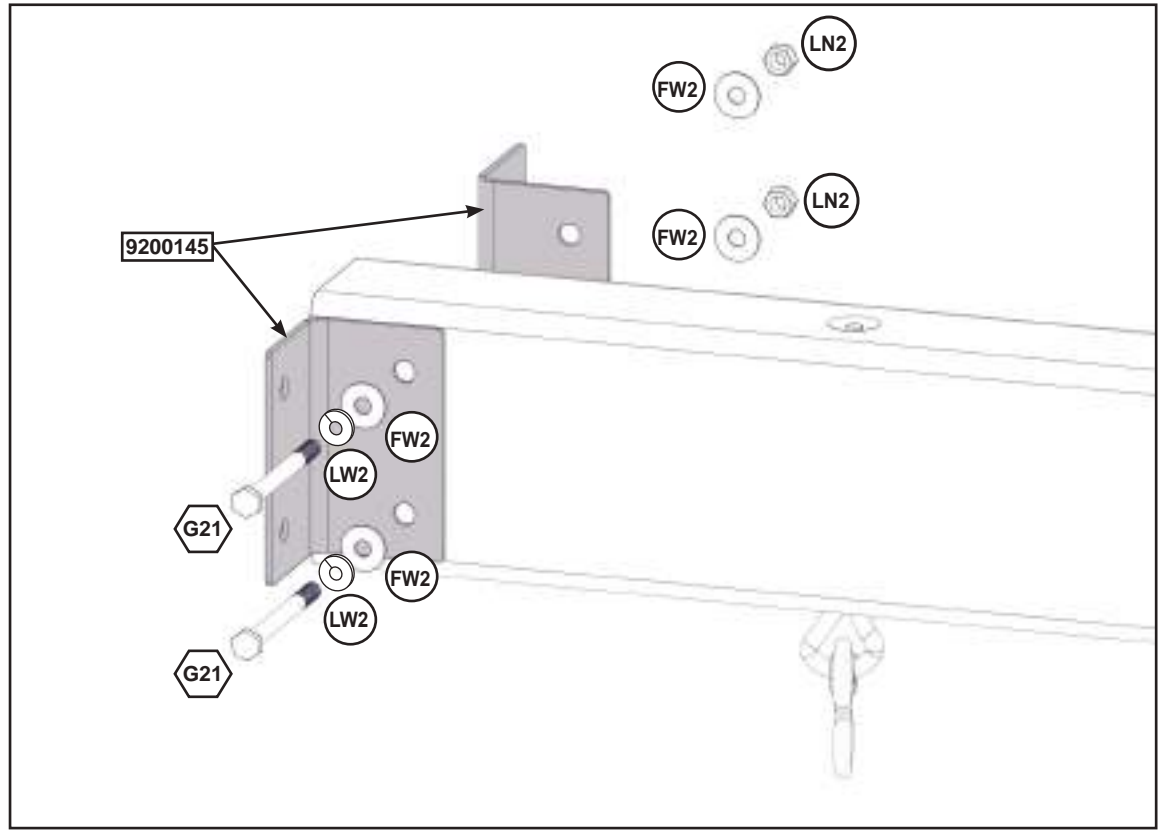
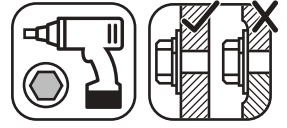
Other Parts

1 x **3320353**




parts.kidkraft.com


customerservice@kidkraft.com
1.800.933.0771
972.385.0100



Hardware

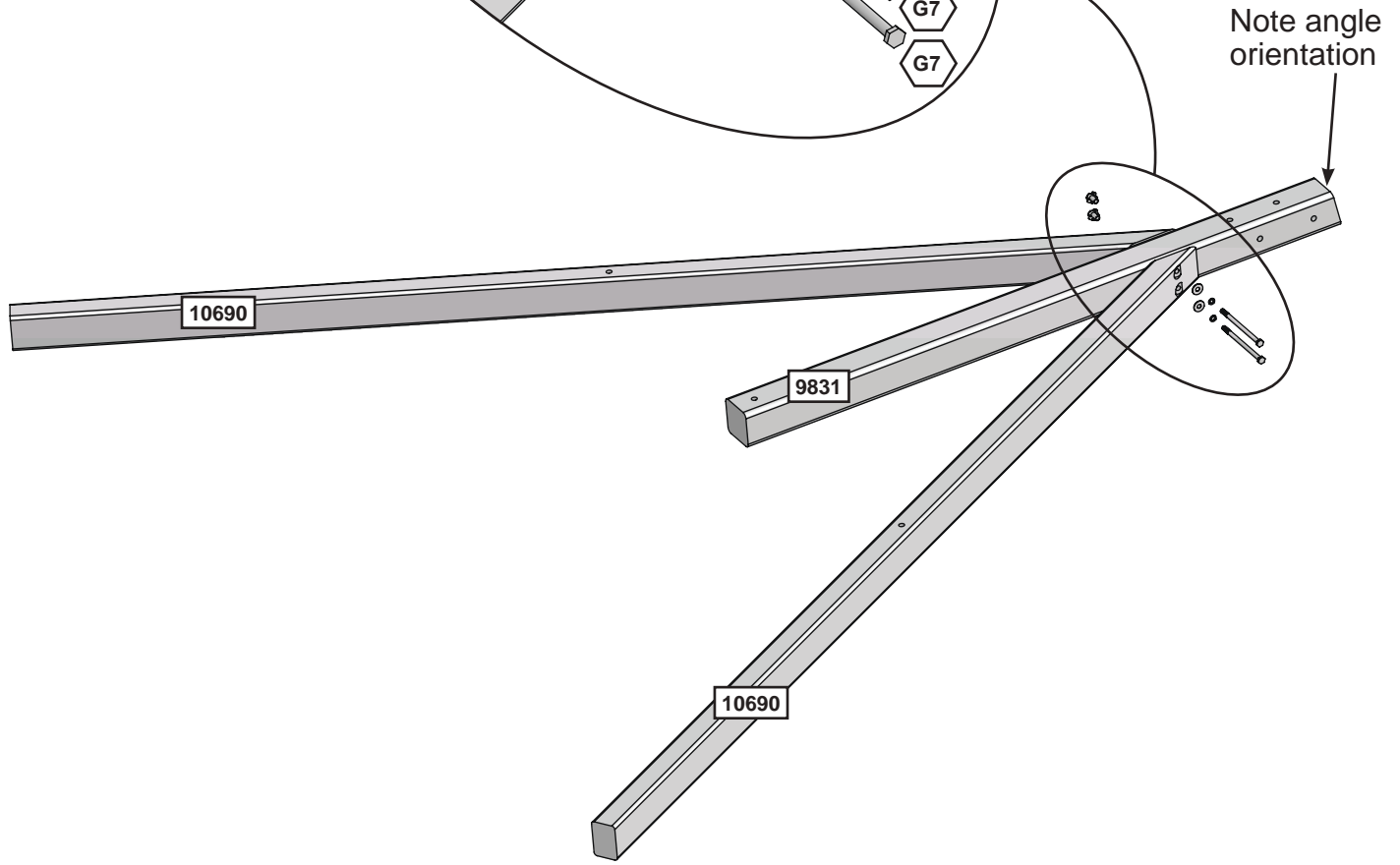
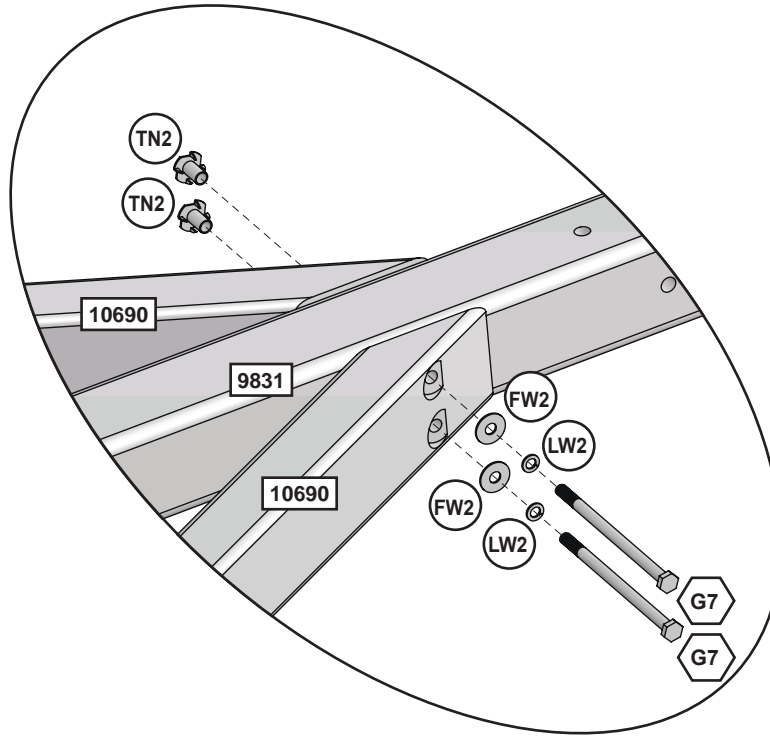
2 x  7.9 x 95 mm (5/16 x 3 3/4") (LW2, FW2 x 2, LN2)

Other Parts

2 x 



Assemble T-Nuts first with hammer!

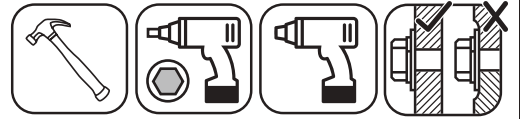


Wood Parts

- 2 x **10690** 50.8 x 76.2 x 2006.6 mm (2" x 3" x 79")
- 1 x **9831** 76.2 x 76.2 x 1425.8 mm (3" x 3" x 56 1/8")

Hardware

- 2 x **G7** 7.9 x 139.7 mm (5/16 x 5-1/2") (LW2, FW2, TN2)

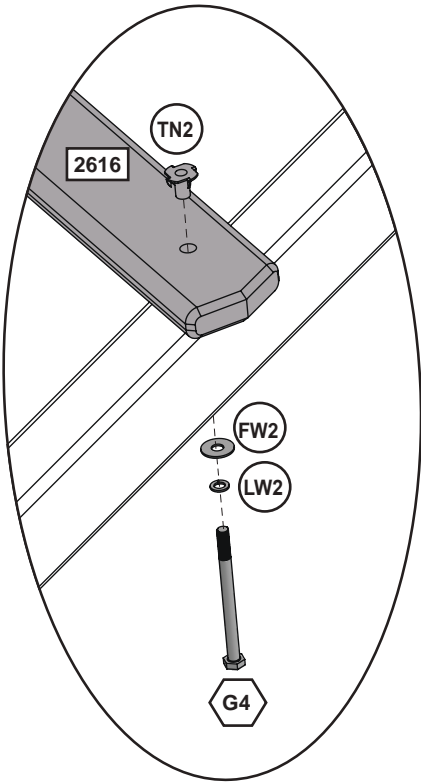
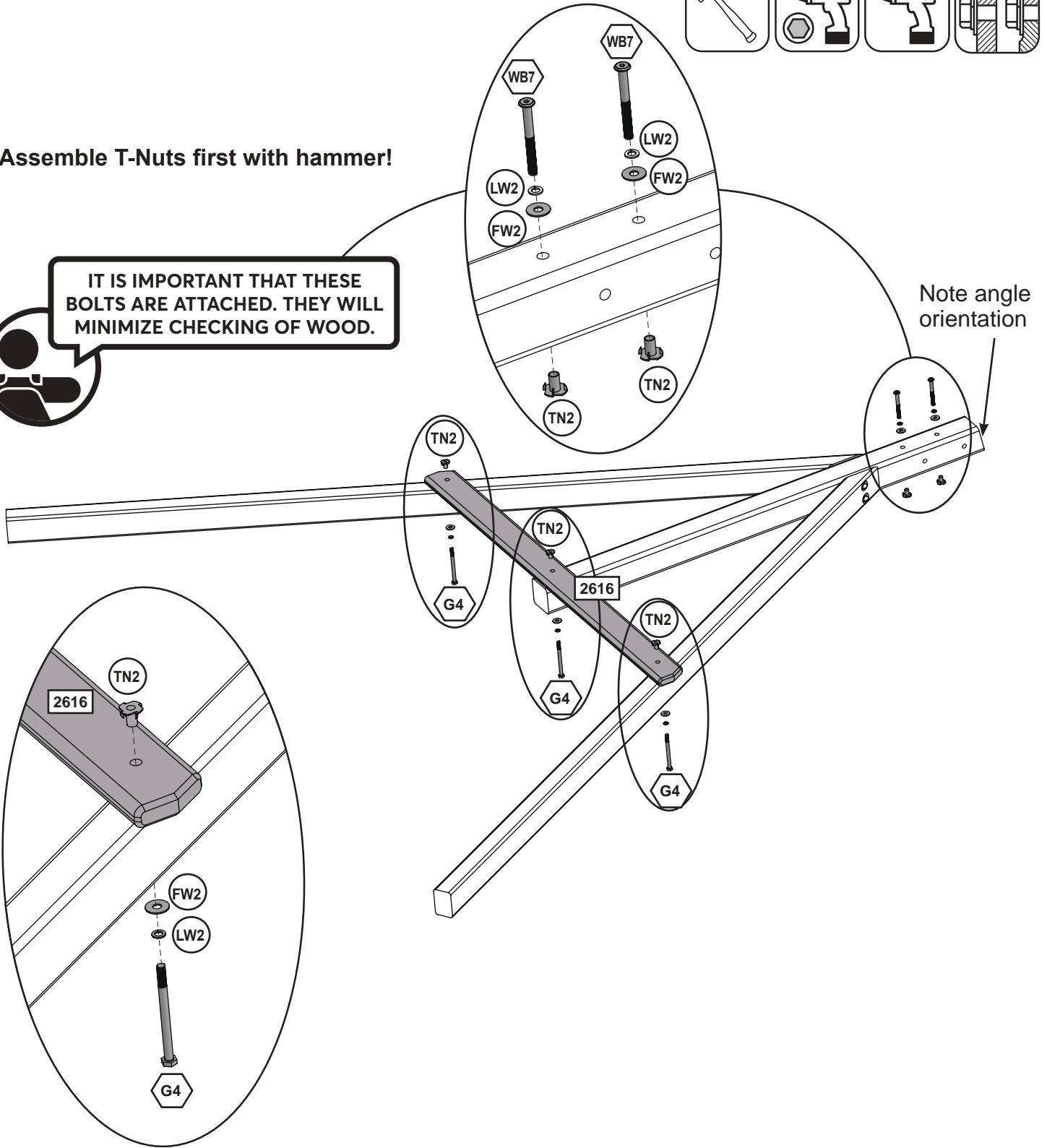


Assemble T-Nuts first with hammer!

IT IS IMPORTANT THAT THESE BOLTS ARE ATTACHED. THEY WILL MINIMIZE CHECKING OF WOOD.



Note angle orientation



Wood Parts

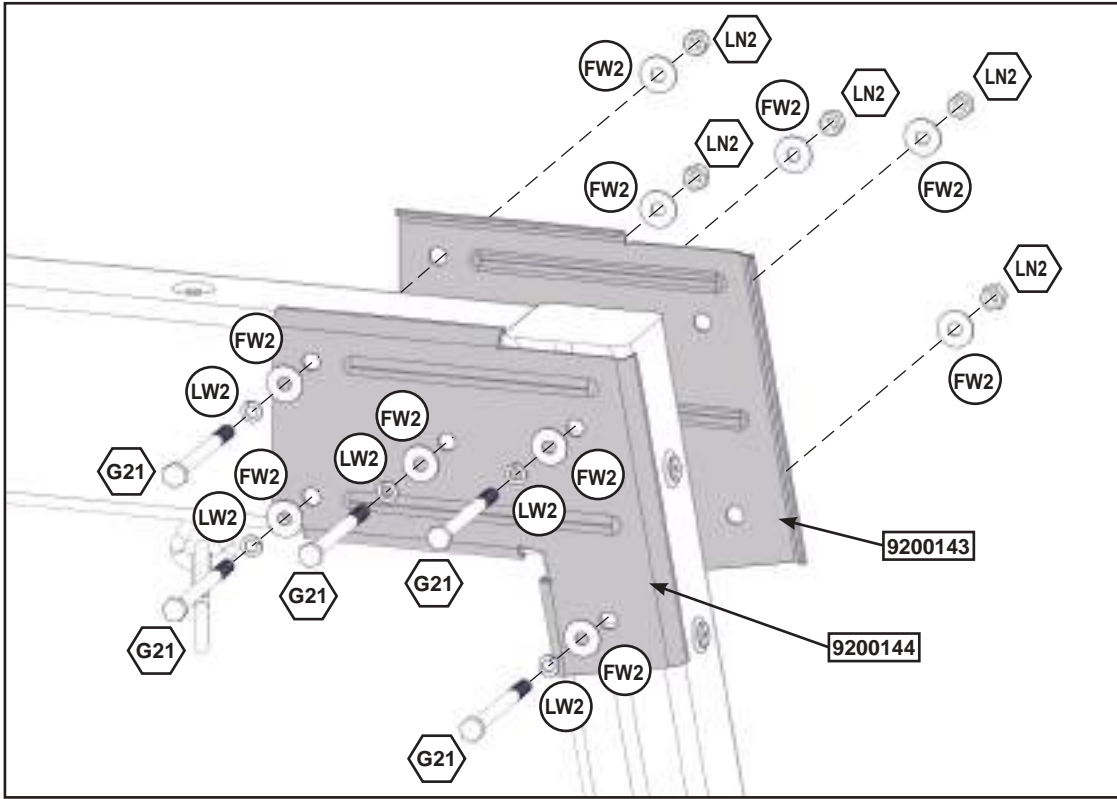
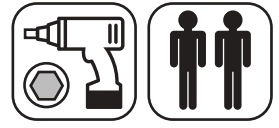
1 x **2616** 23.8 x 82.6 x 1181.1 mm (15/16" x 3 1/4" x 46 1/2")

Hardware

2 x **WB7** 7.9 x 76.2 mm (5/16 x 3") (FW2, LW2, TN2)

3 x **G4** 7.9 x 101.6 mm (5/16 x 4") (LW2, FW2, TN2)







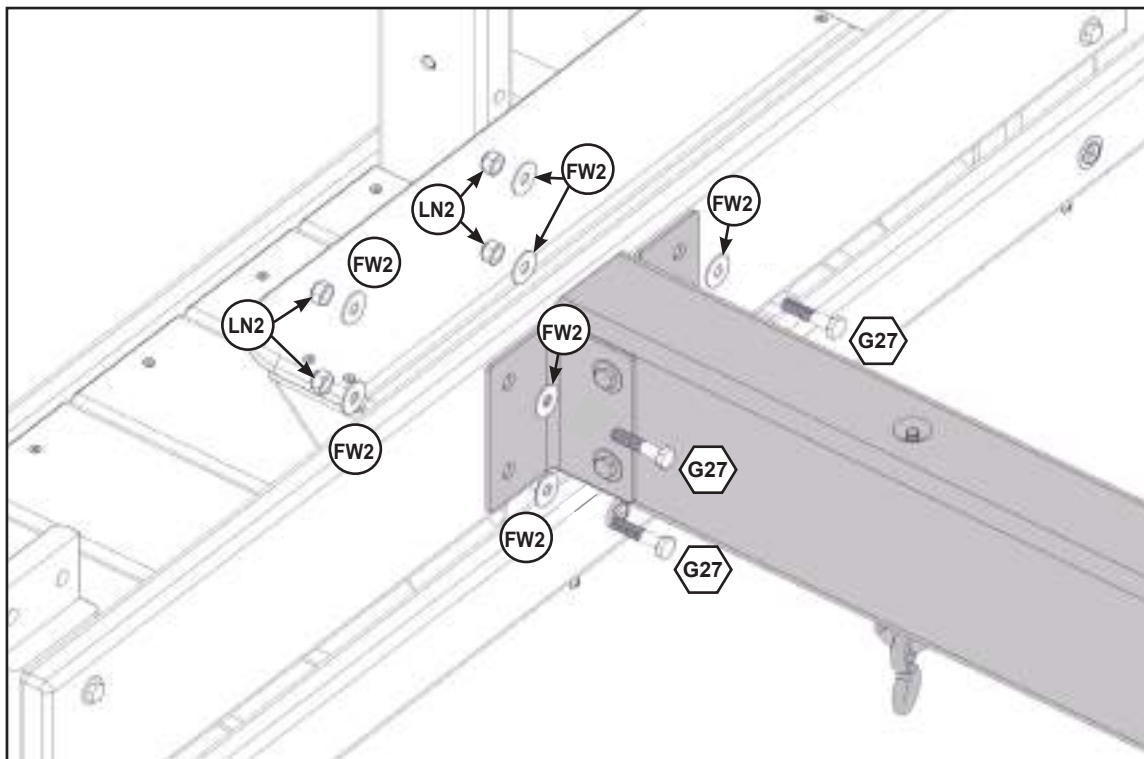
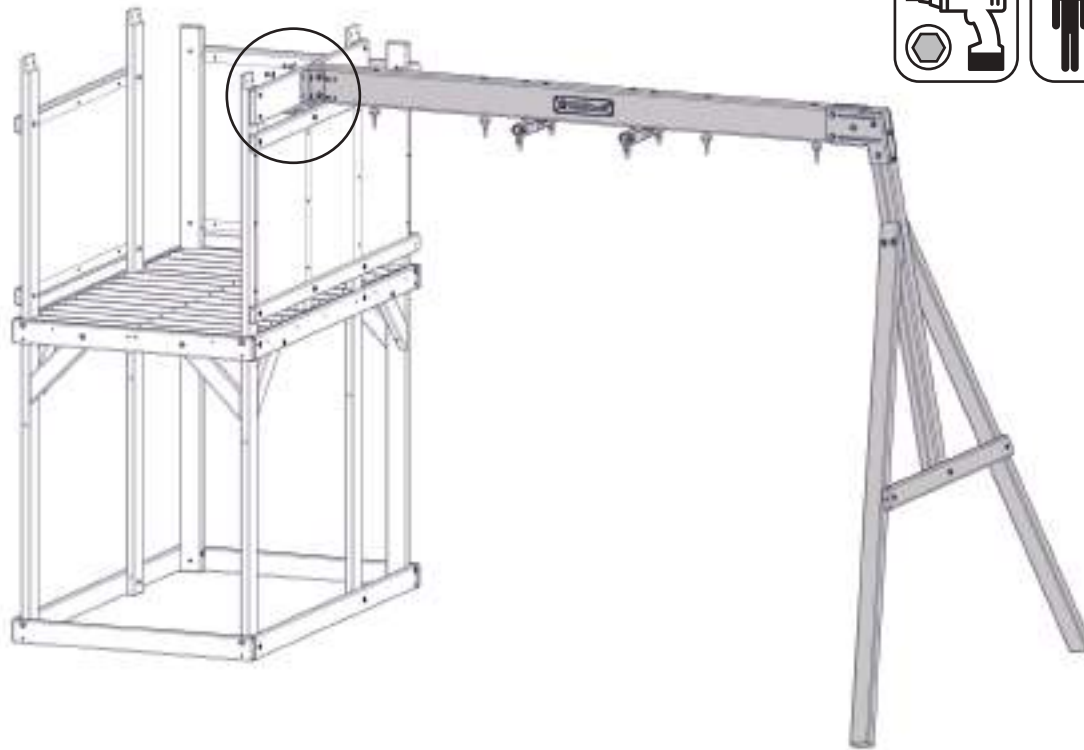
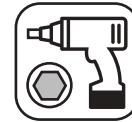
Hardware

5 x  7.9 x 95.2 mm (5/16 x 3-3/4") (FW2 x 2, LW2, LN2)


Other Parts

- 1 x 
- 1 x 

43



Hardware

4 x  7.9 x 44.5mm (5/16 x 1-3/4") (FW2 x 2, LN2)


europcustomerservice@kidkraft.com
+31 20 305 8620
M-F from 09:00 to 17:30 (GMT+1)

parts.kidkraft.eu



44 Surf Swing Height

- A: Fold the rope so that the end meets the knot used for the wooden grip. (fig. 3)
- B: Hold the knot and end down while twisting counterclockwise at the loop. (fig. 4)
- C: Repeat for another turn. (fig. 5)
- D: Guide the rope end through the loop. (fig. 6)
- E: Pull the end tightly to tighten the knot. (fig. 7)

 To avoid serious injury, please follow these steps so that the surf swing is a distance >8 inches (203 mm) off the ground.

IMPORTANT!

Please hold on tightly to the wooden grips during actual use.

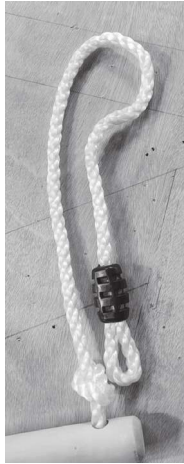


Fig. 3



Fig. 4



Fig. 5



Fig. 6

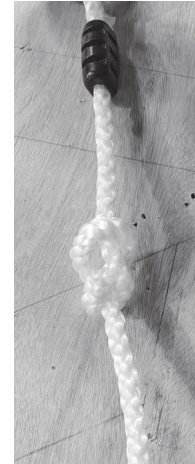


Fig. 7

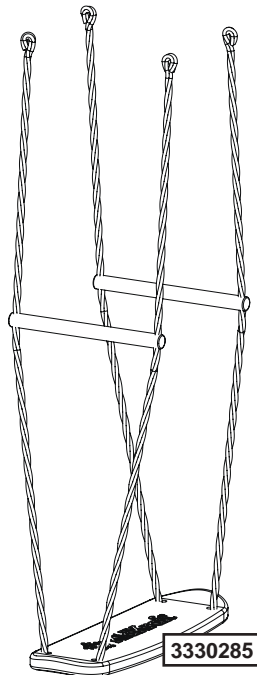


Fig. 1

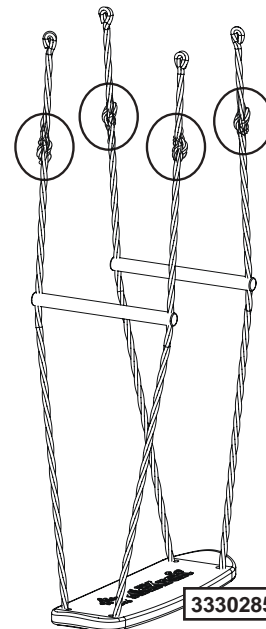
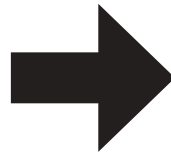


Fig. 2

Other Parts

1 x 3330285

45

- A: Attach 2 Belt Swings to the Bolt-Thru Swing Hangers. (fig. 1)
- B: Insert flexible Swing Hanger Cover (9300000) over hook. (fig. 2)
- C: Slide Swing Hanger Cover around hook until at top. (fig. 3)
- D: Hook swing rope onto hook. (fig. 4)
- E: Twist and flex Swing Hanger Cover onto open end of hook. (fig. 5)



Fig. 2

9300000



Fig. 3

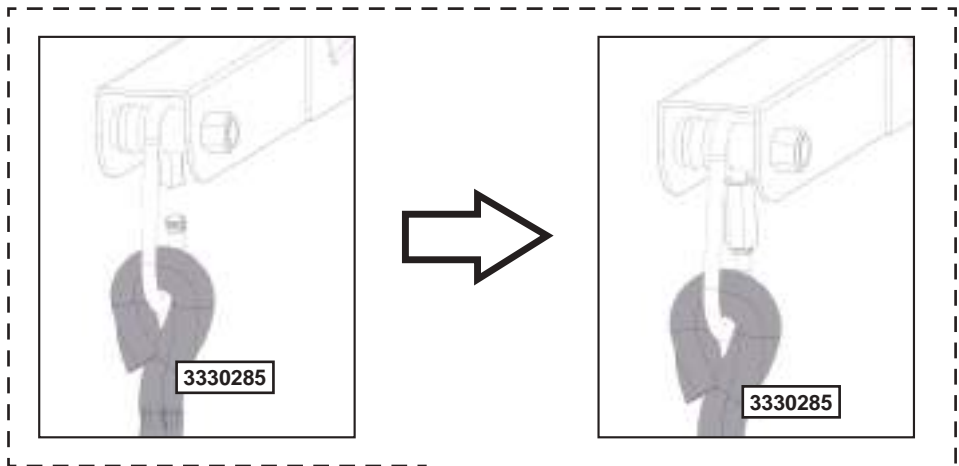
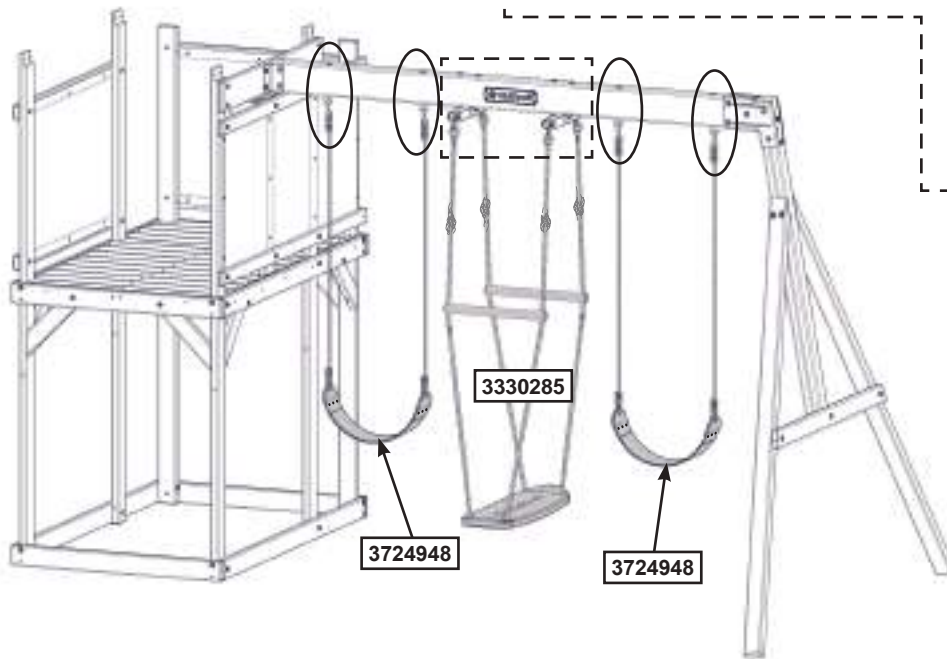


Fig. 4



Fig. 5

Fig. 1



Caution: Threaded Quick Links must be installed with the gate completely down covering the threads and tighten as instructed.

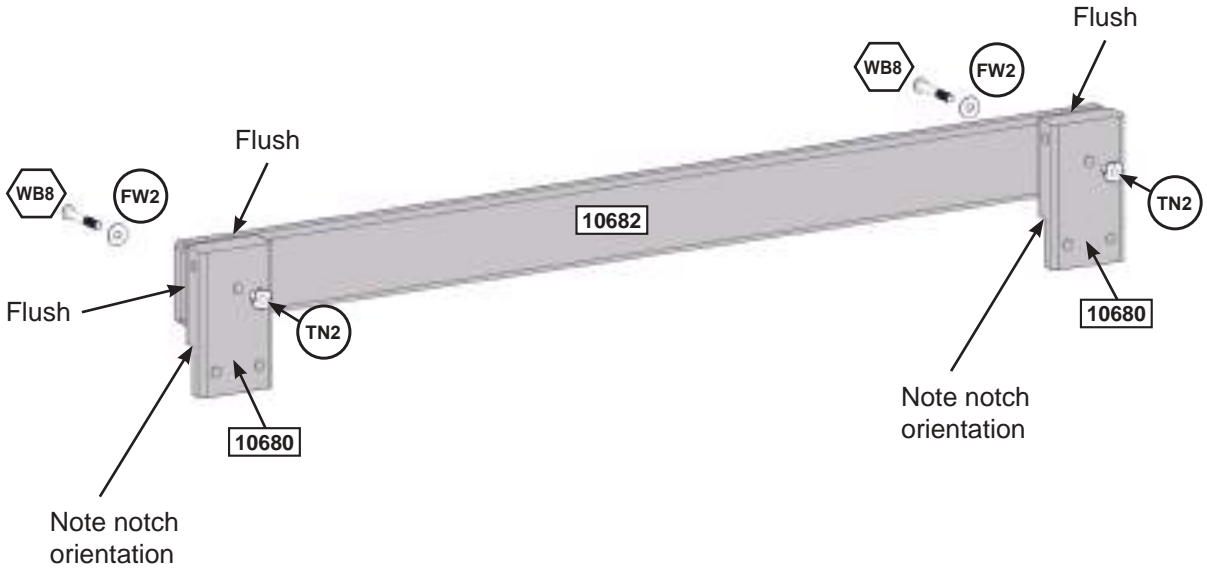
Other Parts

2 x 3724948 4 x 9300000





Assemble T-Nuts first with hammer!



Wood Parts

- 2 x **10680** 34.9 x 85.7 x 152.9 mm (1 3/8" x 3 3/8" x 6 1/64")
- 1 x **10682** 25.4 x 88.9 x 1089.6 mm (1" x 3 1/2" x 42 57/64")

Hardware

- 2 x **WB8** 7.9 x 60.3 mm (5/16 x 2-3/8") (FW2, TN2)

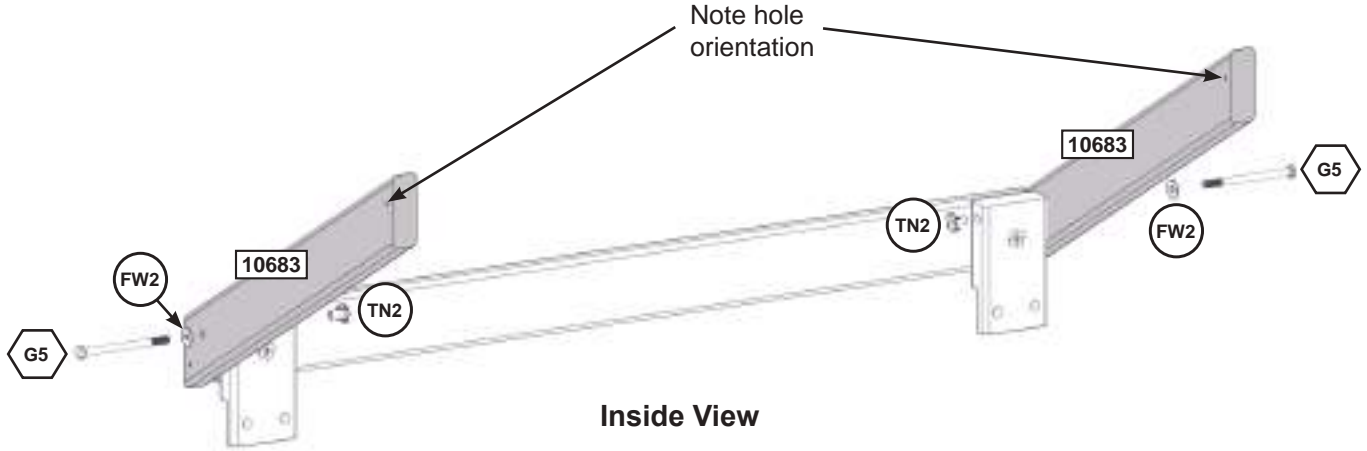


parts.kidkraft.com

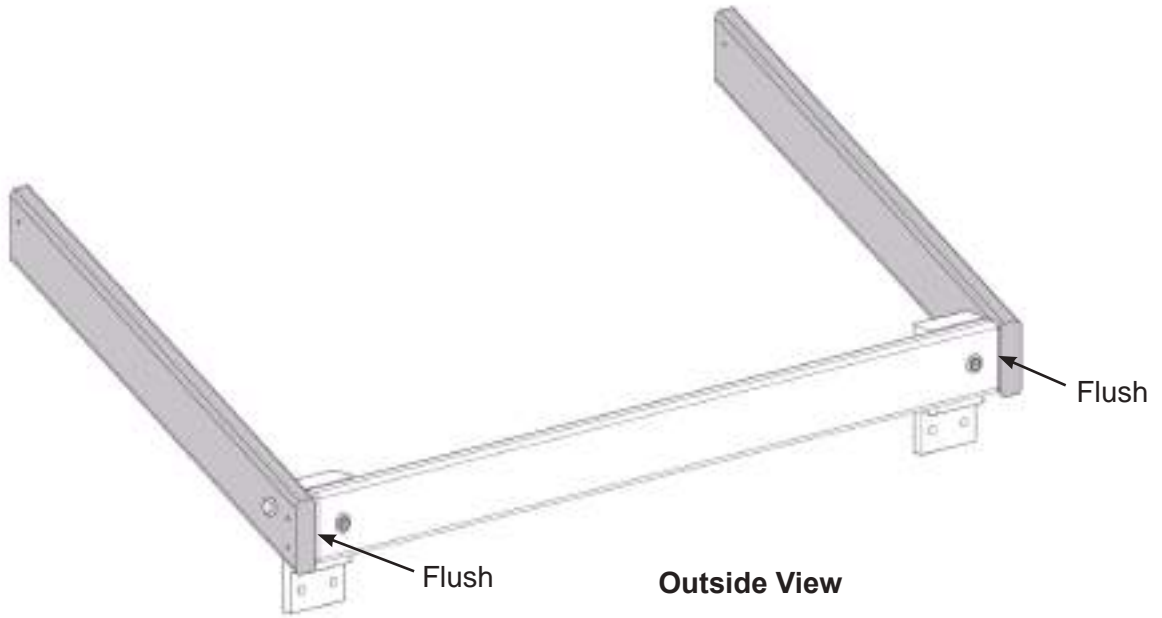
customerservice@kidkraft.com
1.800.933.0771
972.385.0100



Assemble T-Nuts first with hammer!



Inside View



Outside View

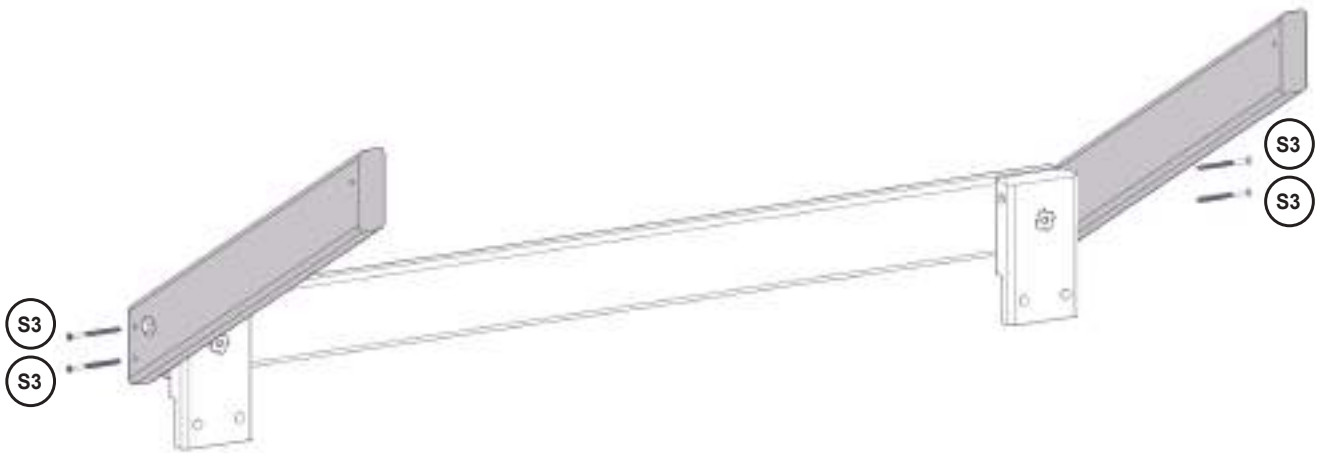
Wood Parts

2 x 10683 31.8 x 76.2 x 601 mm (1 1/4" x 3" x 23 21/32")

Hardware

2 x G5 7.9 x 114.3 mm (5/16 x 4-1/2") (FW2, TN2)



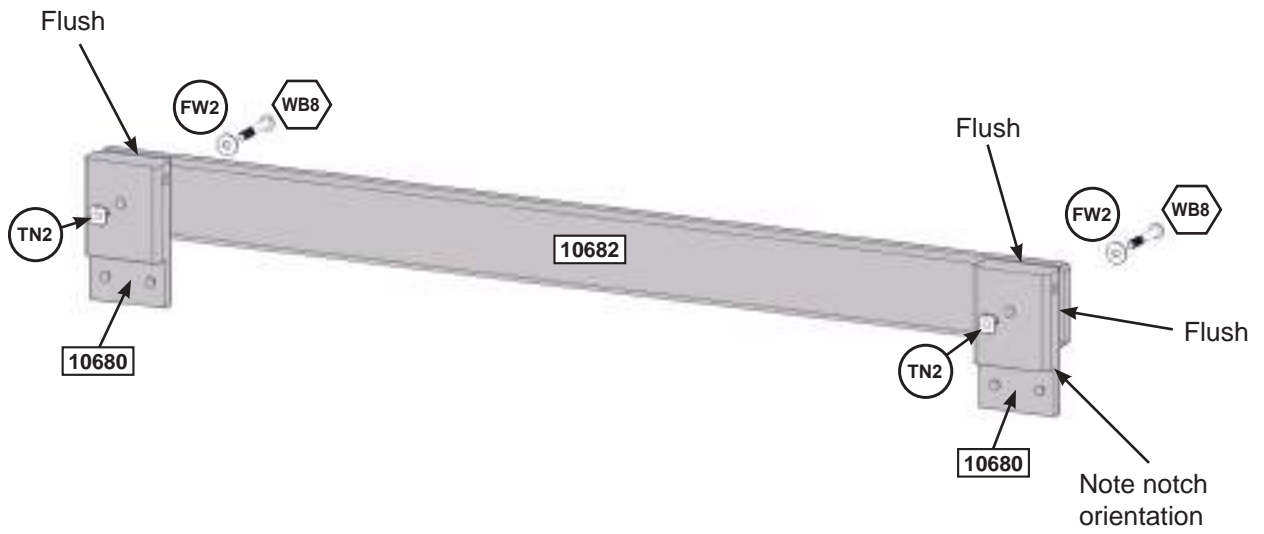


Hardware

4 x  #8 x 63.5 mm (#8 x 2-1/2")



Assemble T-Nuts first with hammer!



Wood Parts

- 2 x 10680 34.9 x 85.7 x 152.9 mm (1 3/8" x 3 3/8" x 6 1/64")
- 1 x 10682 25.4 x 88.9 x 1089.6 mm (1" x 3 1/2" x 42 57/64")

Hardware

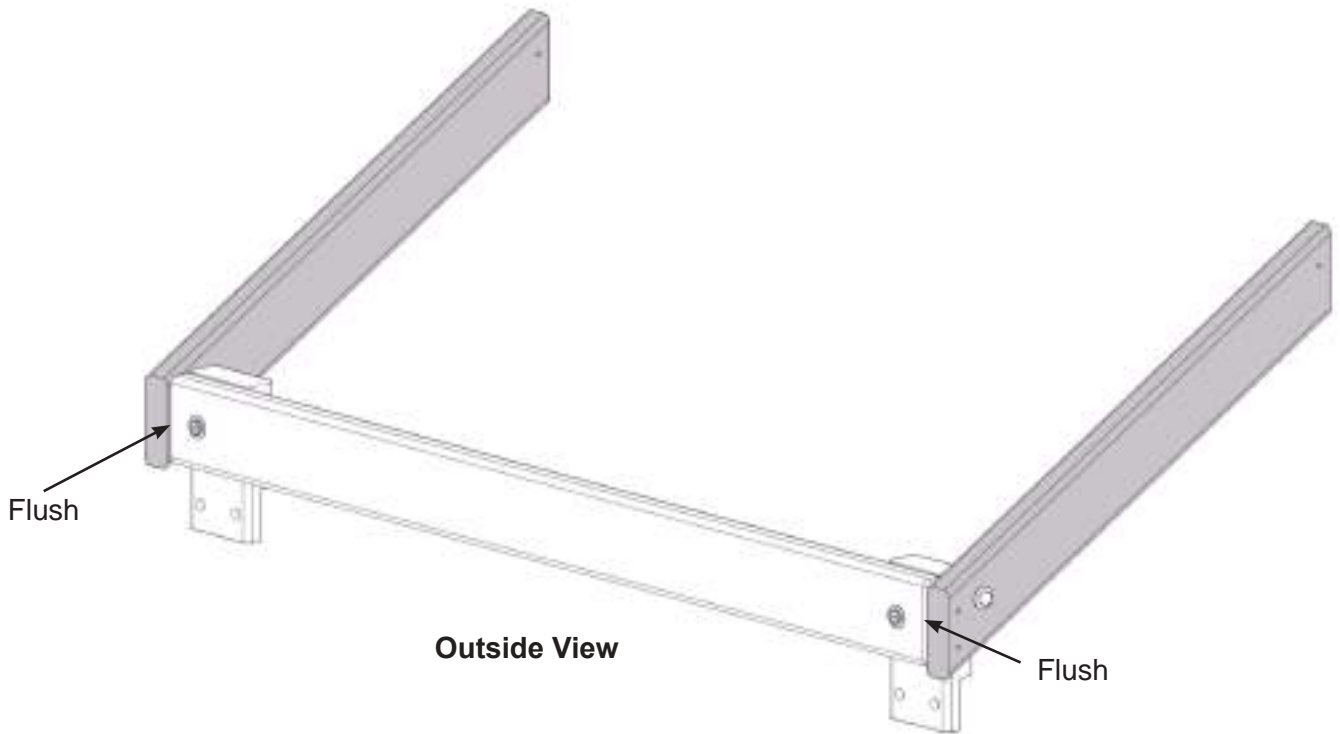
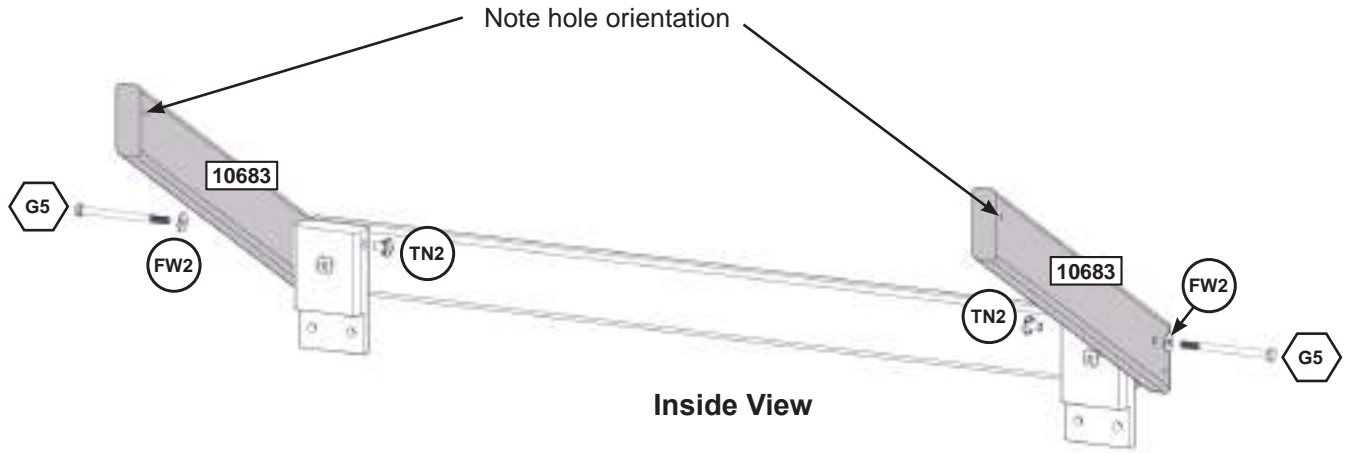
- 2 x WB8 7.9 x 60.3 mm (5/16 x 2-3/8") (FW2, TN2)

europecustomerservice@kidkraft.com
 +31 20 305 8620
 M-F from 09:00 to 17:30 (GMT+1)

parts.kidkraft.eu



Assemble T-Nuts first with hammer!



Wood Parts

2 x 10683 31.8 x 76.2 x 601 mm (1 1/4" x 3" x 23 21/32")

Hardware

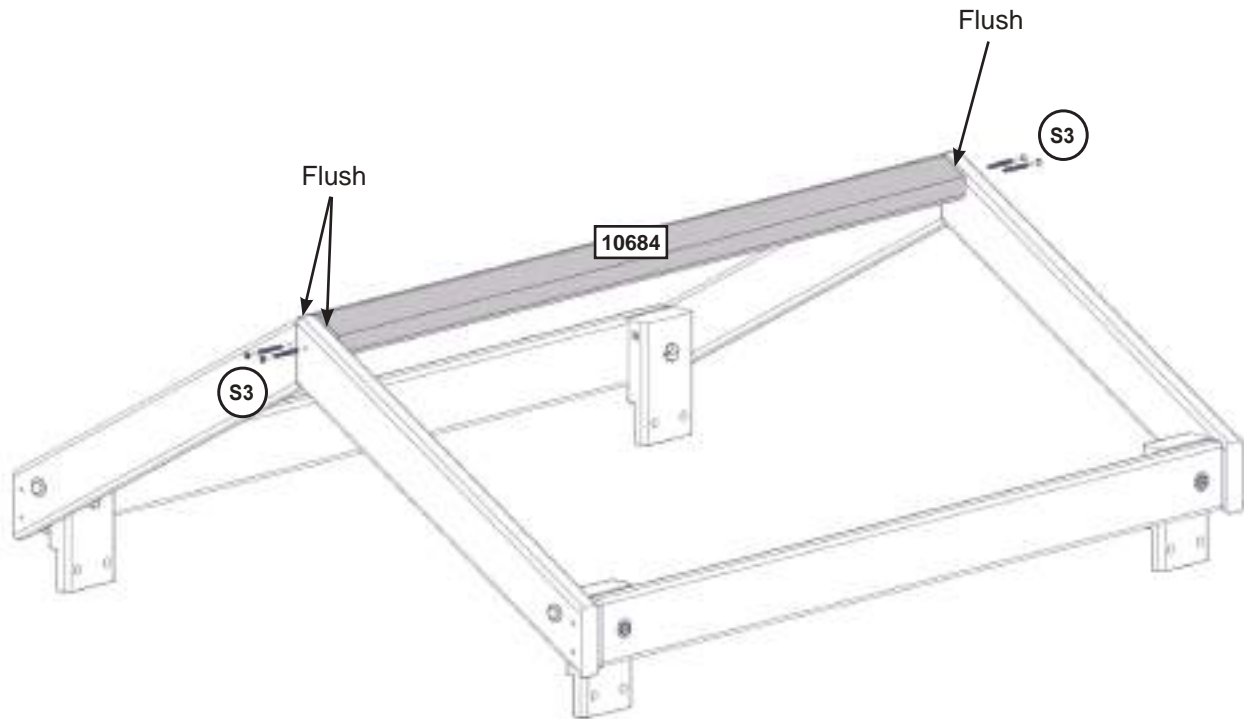
2 x G5 7.9 x 114.3 mm (5/16 x 4-1/2") (FW2, TN2)



Hardware

4 x  #8 x 63.5 mm (#8 x 2-1/2")





Wood Parts

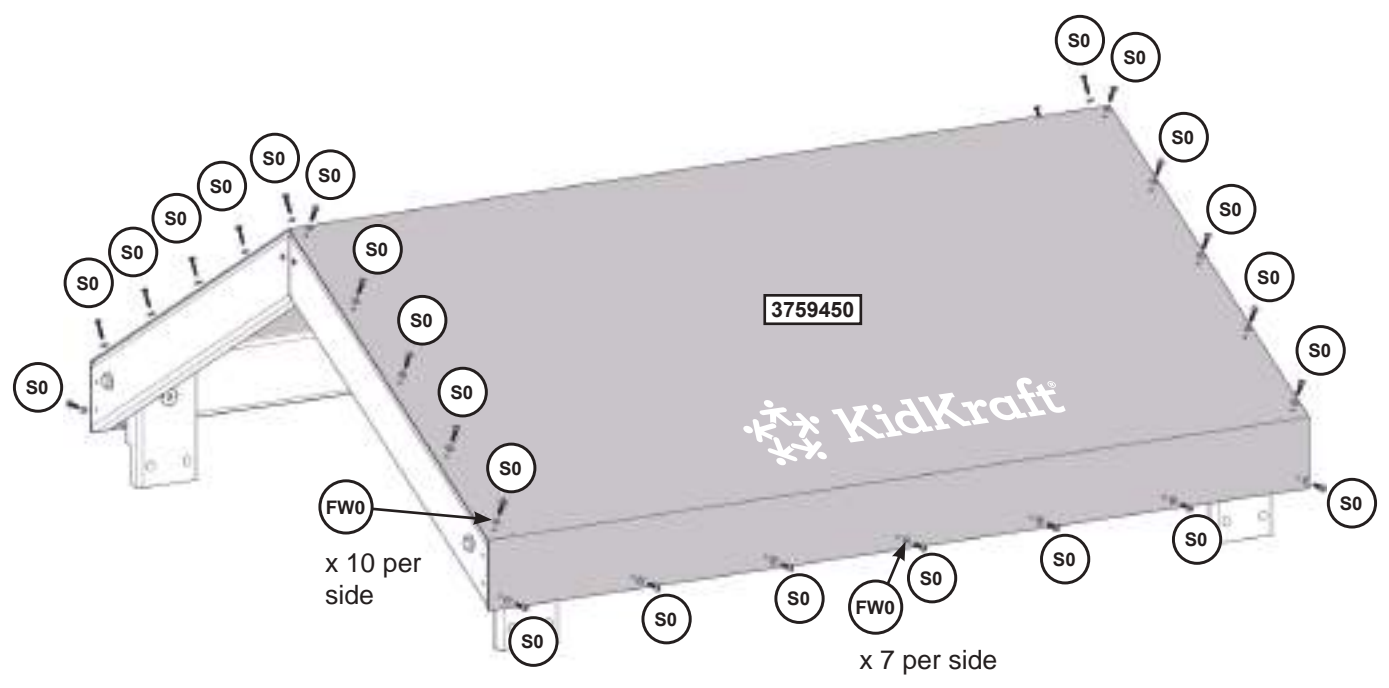
1 x **10684** 50.8 x 76.2 x 1088 mm (2" x 3" x 42 53/64")

Hardware

4 x **S3** #8 x 63.5 mm (#8 x 2-1/2")



Lay the fabric on the frame as shown. Have an adult helper keep the fabric taut as you drill the hardware through the fabric into the frame.



Evenly Space

Hardware

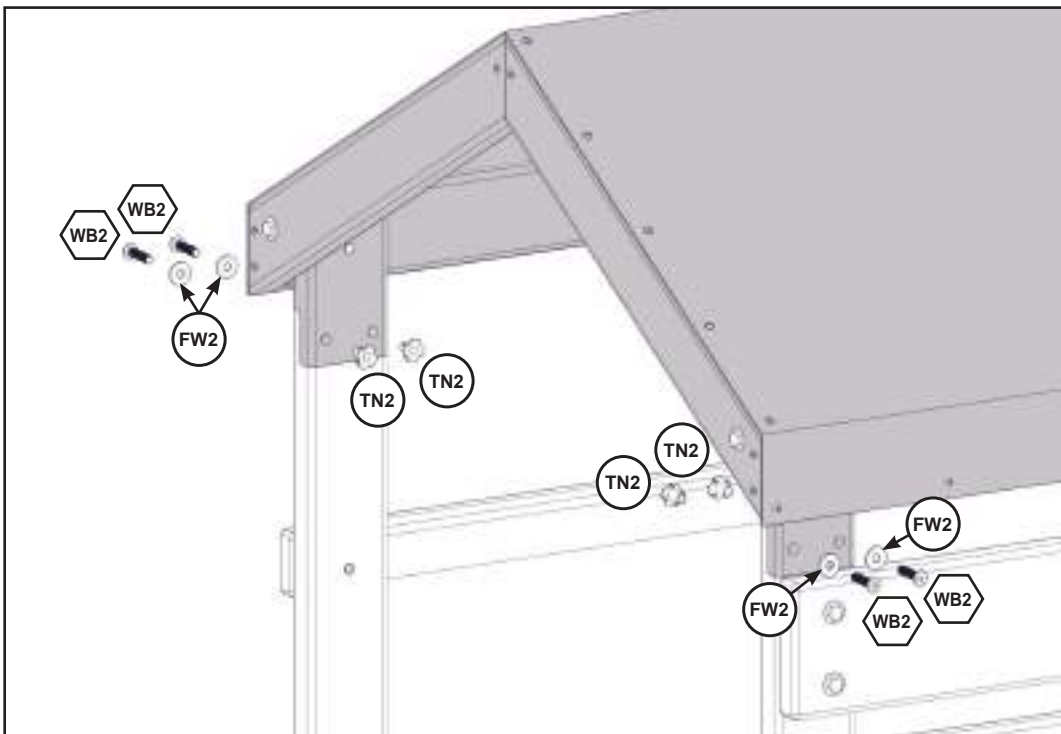
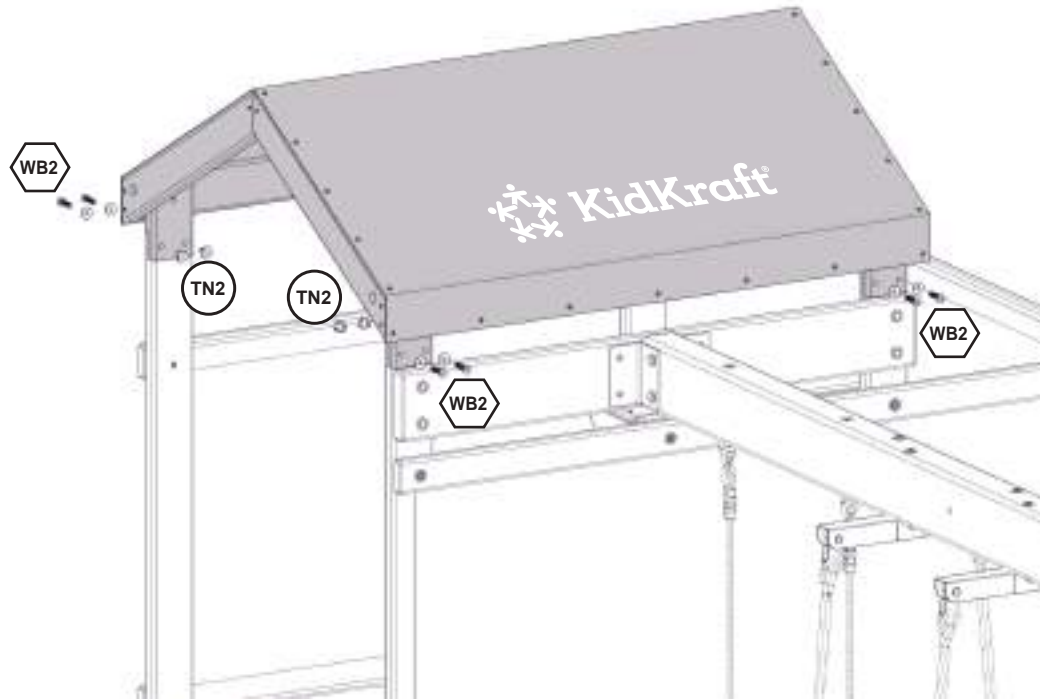
34 x #8 x 22.2 mm (#8 x 7/8") (FW0)

Other Parts


1 x

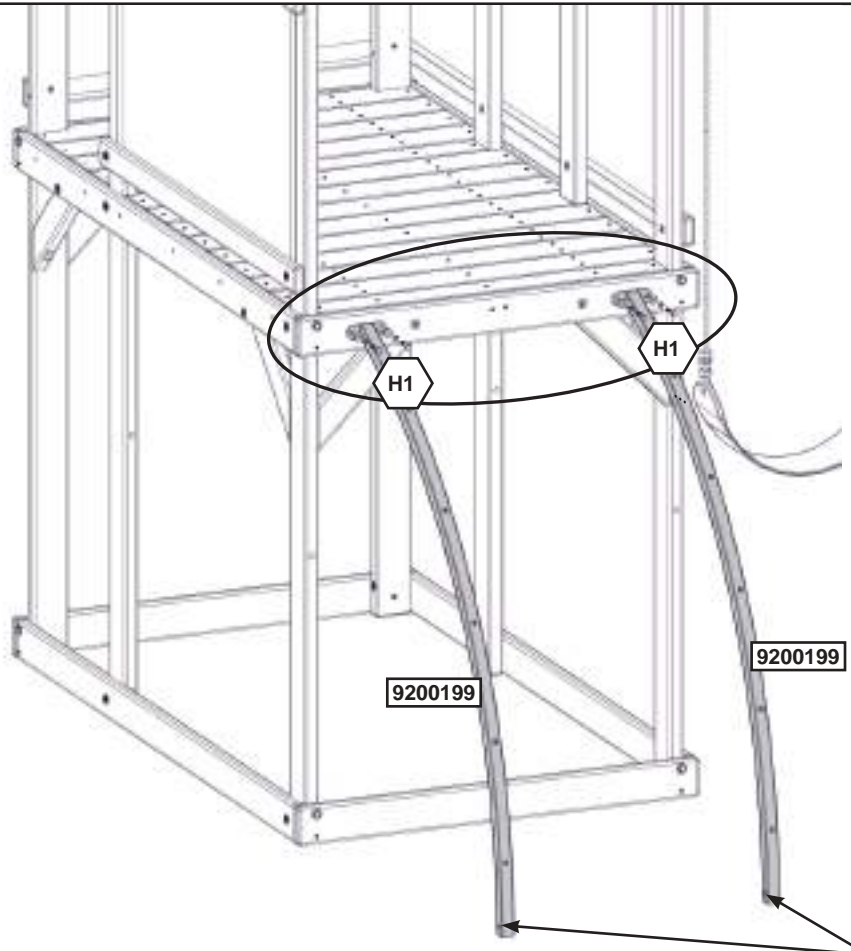


Assemble T-Nuts first with hammer!

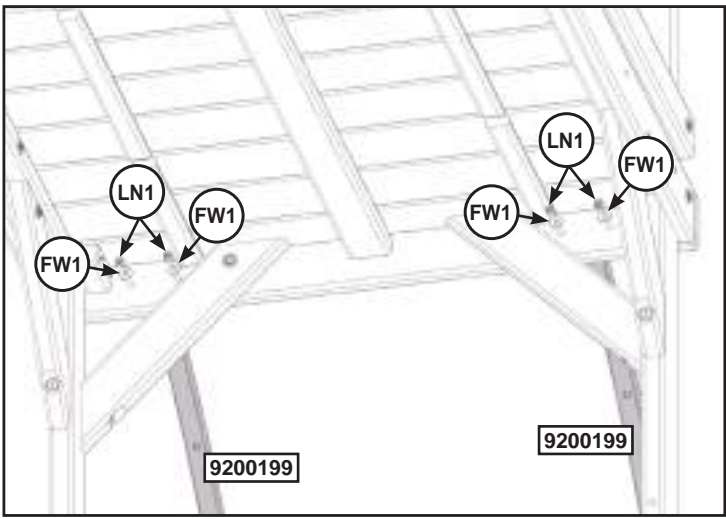
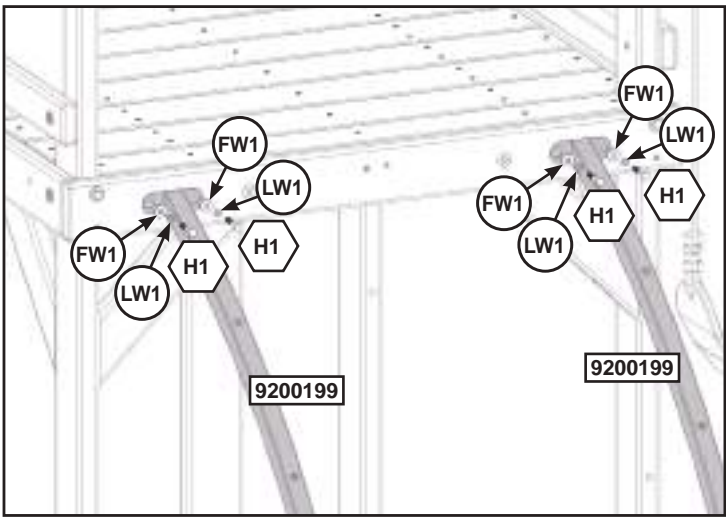


Hardware

8 x  7.9 x 34.9 mm (5/16 x 1-3/8") (FW2, TN2)

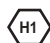


Note hole orientation

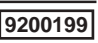


Inside and Underneath View

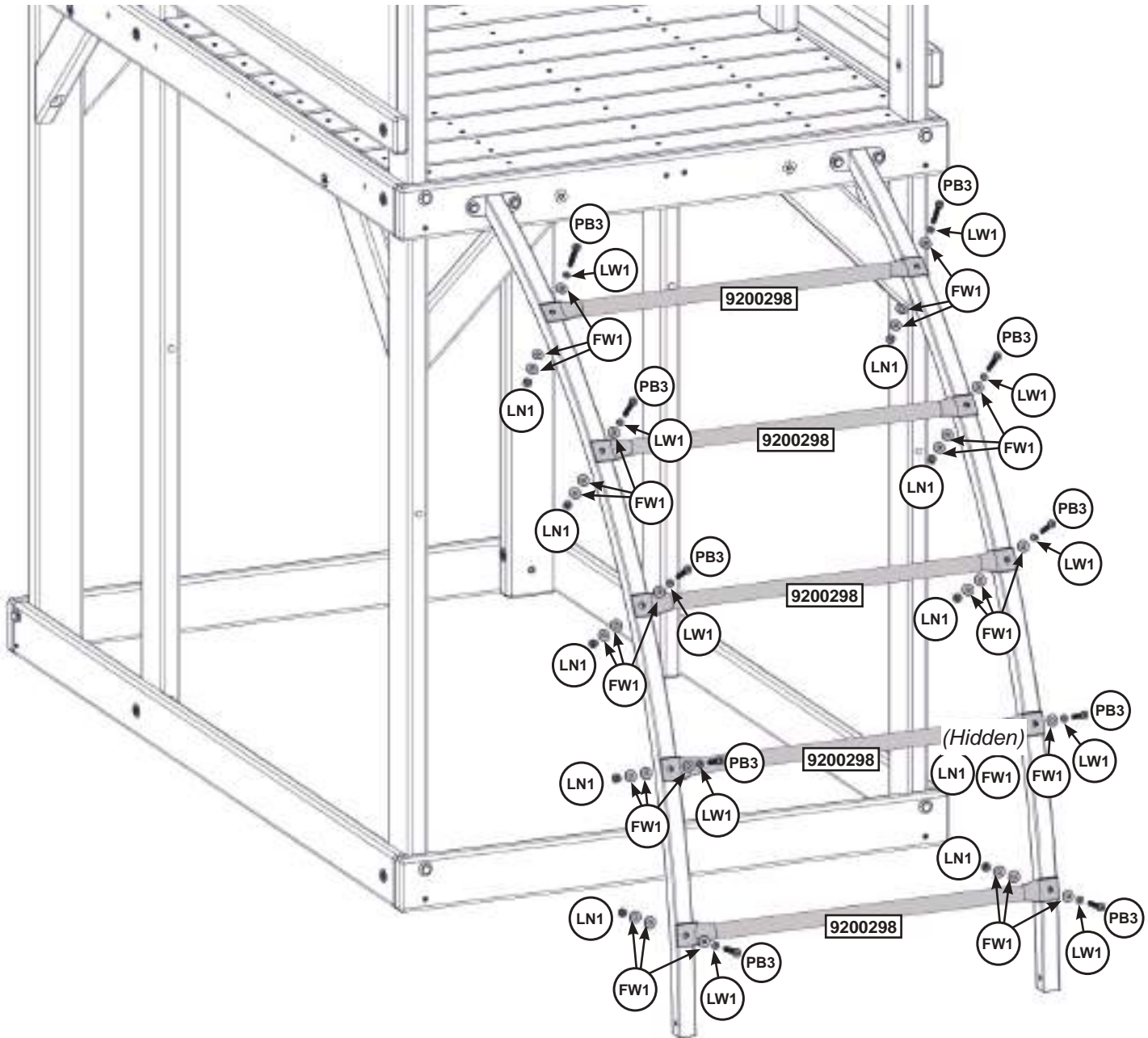
Hardware

4 x  6.4 x 38.1 mm (1/4 x 1-1/2") (LW1, FW1 x 2, LN1)

Other Parts

2 x 





Hardware

10 x 6.4 x 44.5 mm (1/4 x 1-3/4") (FW1 x 3, LW1, LN1)

Other Parts

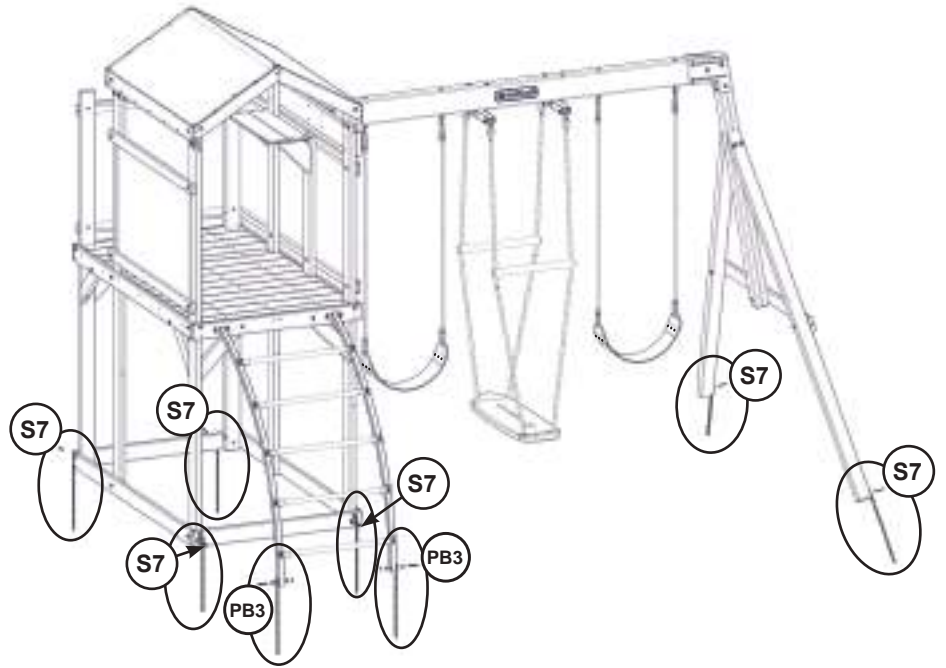
5 x

57

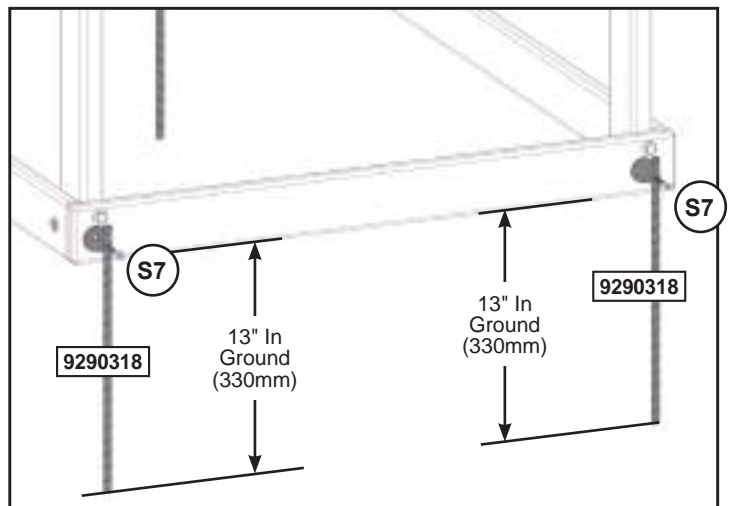
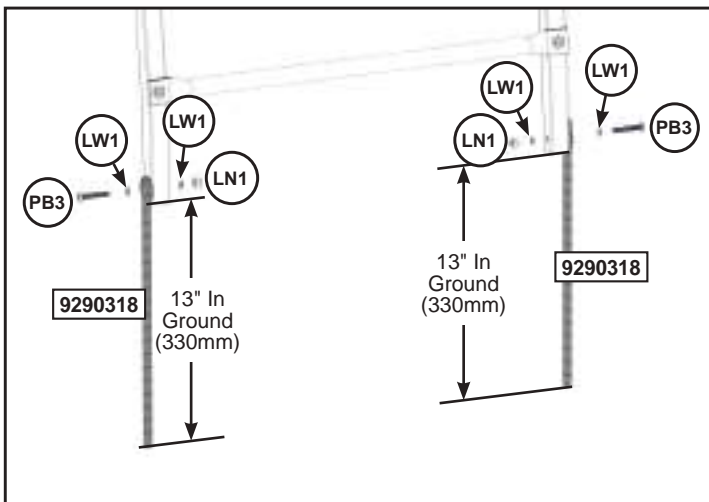
MOVE FORT TO FINAL LOCATION PRIOR TO STAKING
FINAL LOCATION MUST BE LEVEL GROUND



Warning! To prevent tipping and avoid potential injury, stakes must be driven 13 in(330mm) into ground. Digging or driving stakes can be dangerous if you do not check first for under-ground wiring, cables or gas lines.



SEE FRONT COVER FOR SAFETY CLEARANCE



Hardware

- 6 x **S7** #12 x 50.8 mm (#12 x 2")
- 2 x **PB3** #8 x 22.2 mm (#8 x 7/8") (LW1 x 2, LN1)

Other Parts

- 8 x **9290318**

europecustomerservice@kidkraft.com
+31 20 305 8620
M-F from 09:00 to 17:30 (GMT+1)

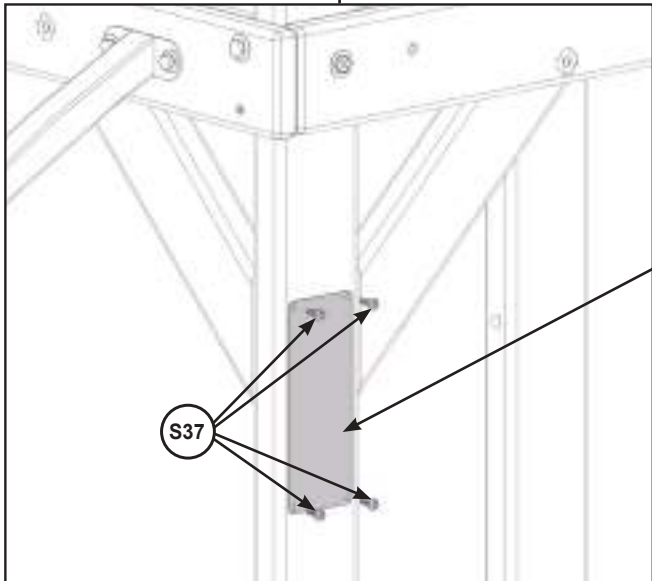
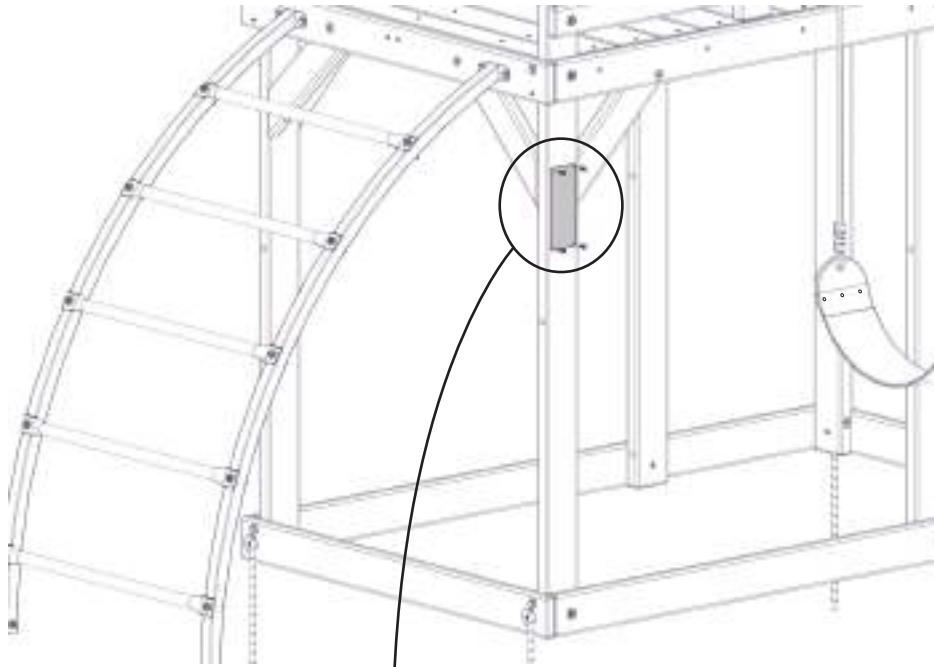
parts.kidkraft.eu



ATTACH THIS WARNING & I.D. PLAQUE TO THIS LOCATION ON YOUR PLAY EQUIPMENT!



This provides warnings concerning safety and important contact information. A Tracking Number is provided to allow you to get critical information or order replacement parts for this specific model.



S37

9320374

WARNING AVERTISSEMENT
CONTINUOUS ADULT SUPERVISION REQUIRED!
STRANGULATION HAZARDS Never allow children to play with ropes, clotheslines, pet leashes, cables, chains or cord-like items when using this playset or to attach these items to play-set. Never allow children to wear loose fitting clothing, ponchos, hoods, scarves, capes, necklaces, or items with draw-strings, cords or ties when using this play-set. Never allow children to wear bike or sport helmets when using this play-set. Failure to prohibit these items increases the risk of serious injury and death to children from entanglement and strangulation.
SERIOUS HEAD INJURY HAZARD Maintain shock absorbing material under and around play-set as recommended in the Installation & Operating Instructions. Installation over concrete, asphalt, dirt, grass, carpet and other hard surfaces creates a risk of serious injury or death from falls to the ground.
SURVEILLANCE CONSTANTE D'ADULTES EST REQUIS!
Risques D'étranglement Ne jamais laisser les enfants jouer avec des cordes, cordes à linge, laisses pour animaux, des câbles, des chaînes ou ces type articles pendant de l'utilisation de cet portique de jeu ou à l'attaché de ces éléments à la portique de jeu. Ne jamais laissez les enfants de porter des vêtements amples, des ponchos, des hottes, des foulards, capes, des colliers ou des articles avec cordes attirent ou les cordons pendant l'utilisation de cet portique de jeu. Ne jamais laissez les enfants porter un casque de vélo oude sport quand ils utilisent ce portique de jeu. Défaut d'interdire ces éléments augmente le risque de blessures graves et de décès des enfants de enchevêtrement et d'étranglement.
RISQUE DE BLESSURES GRAVES DU TÊTE Maintenir le matériau absorbant les chocs sous et autour de la portique de jeu comme recommandé dans les instructions. D'installation, installation sur béton, de l'asphalte, sol, de l'herbe, tapis et autres surfaces dure crée un risque de blessure à la tête graves ou la mort causé par tomber à la sol.
THIS PRODUCT IS INTENDED FOR USE BY CHILDREN FROM AGES 3 TO 10; weight limit of 110 lbs. per child. Maximum number of users, Installation & Operating Instructions; other information is available at: POUR LES ENFANTS DE 3 À 10 ANS D'ÂGE; limite de 110 Livres par enfant. Nombre maximum d'utilisateurs, installation et d'utilisation; d'autres informations sont disponibles sur: www.kidkraft.com Contact us at: KidKraft Dallas, TX 75244 USA 1-800-933-0771
Tracking Number: Numéro de Suivi:

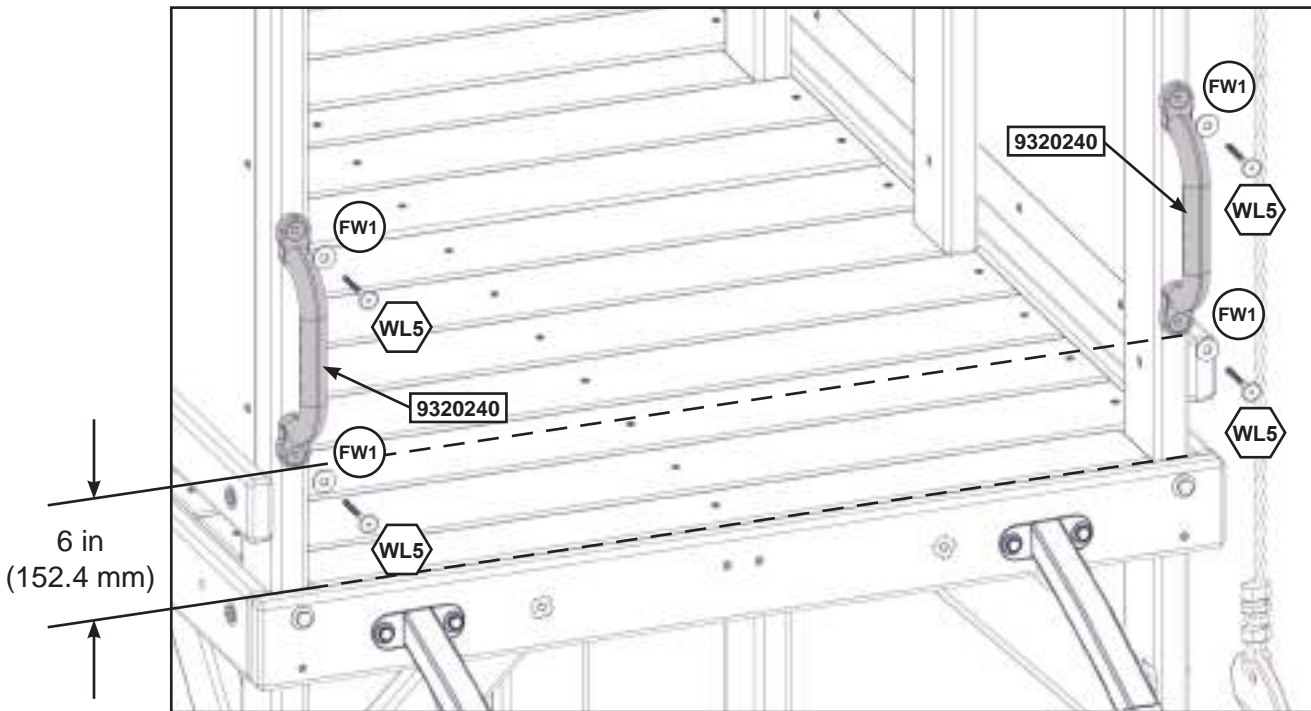
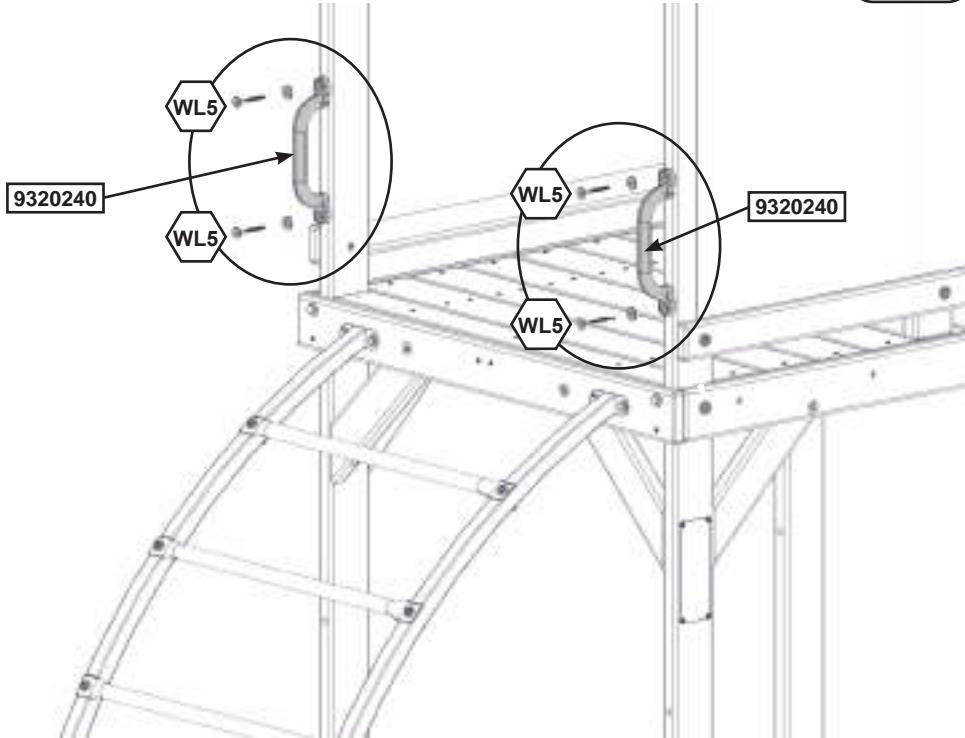
Hardware

4 x #7 x 16 mm (#7 x 5/8")

Other Parts

1 x

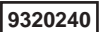
Pre-drill each hole using a 3/16" drill bit for WL5.



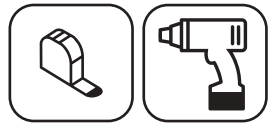
Hardware

4 x  6.4 x 63.5 mm (1/4 x 2-1/2") (FW1)

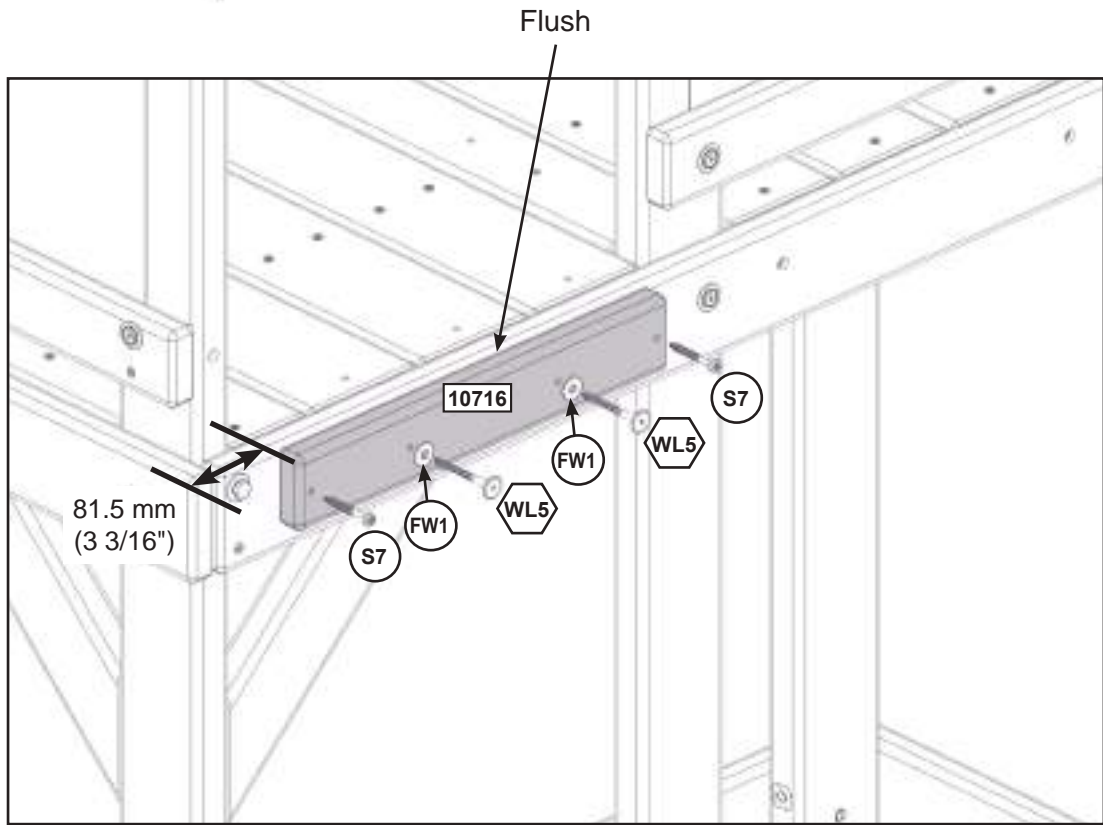
Other Parts

2 x 





Note: Structure partly removed for clarity.



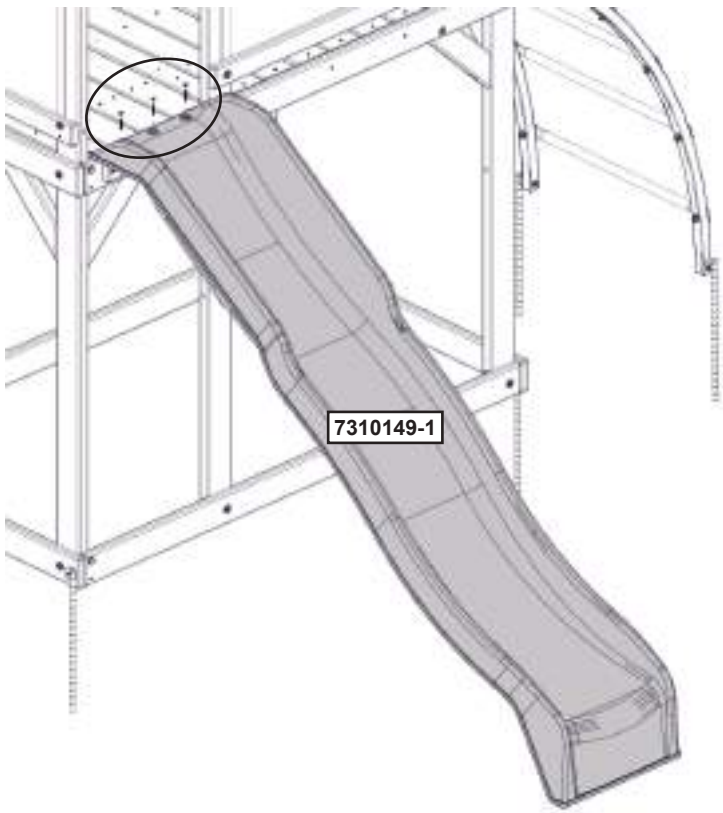
Wood Parts

1 x **10716** 25.4 x 63.5 x 381 mm (1" x 2 1/2" x 15")

Hardware

2 x **S7** #12 x 50.8 mm (#12 x 2")
 2 x **WL5** 6.4 x 63.5 mm (1/4 x 2-1/2") (FW1)

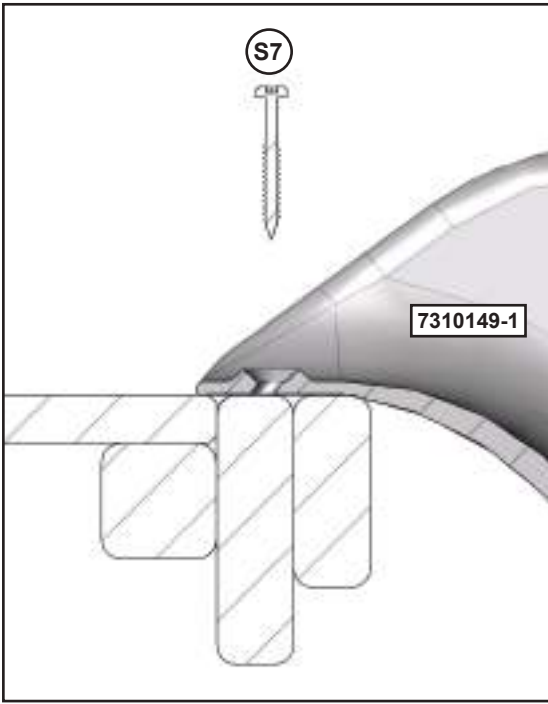
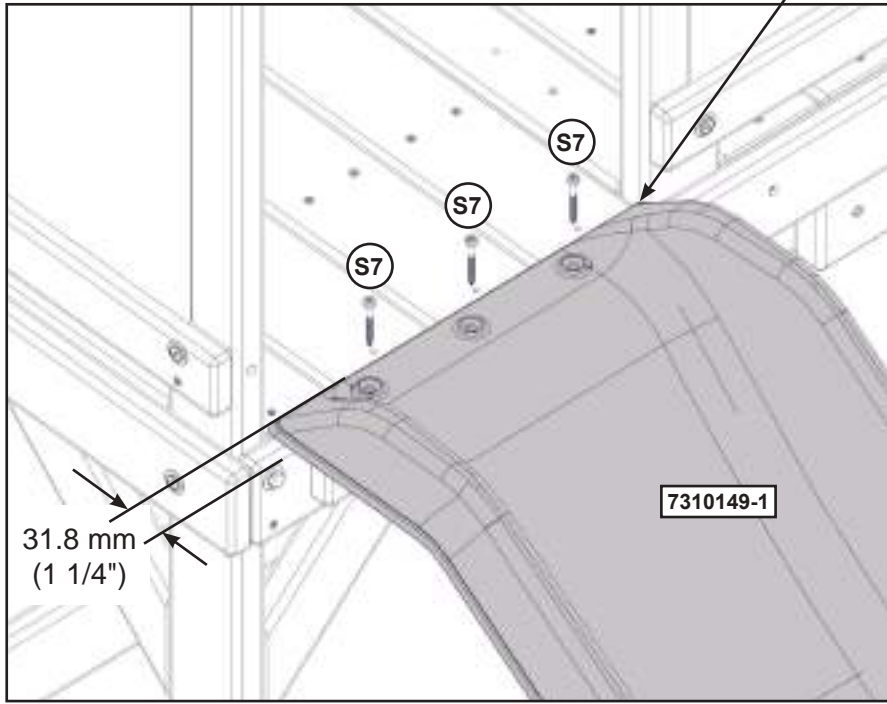
61



Note: Pre-drill all holes using a 1/8 inch drill bit before installing the pan screws.

Place Slide centered in the opening.

Flush



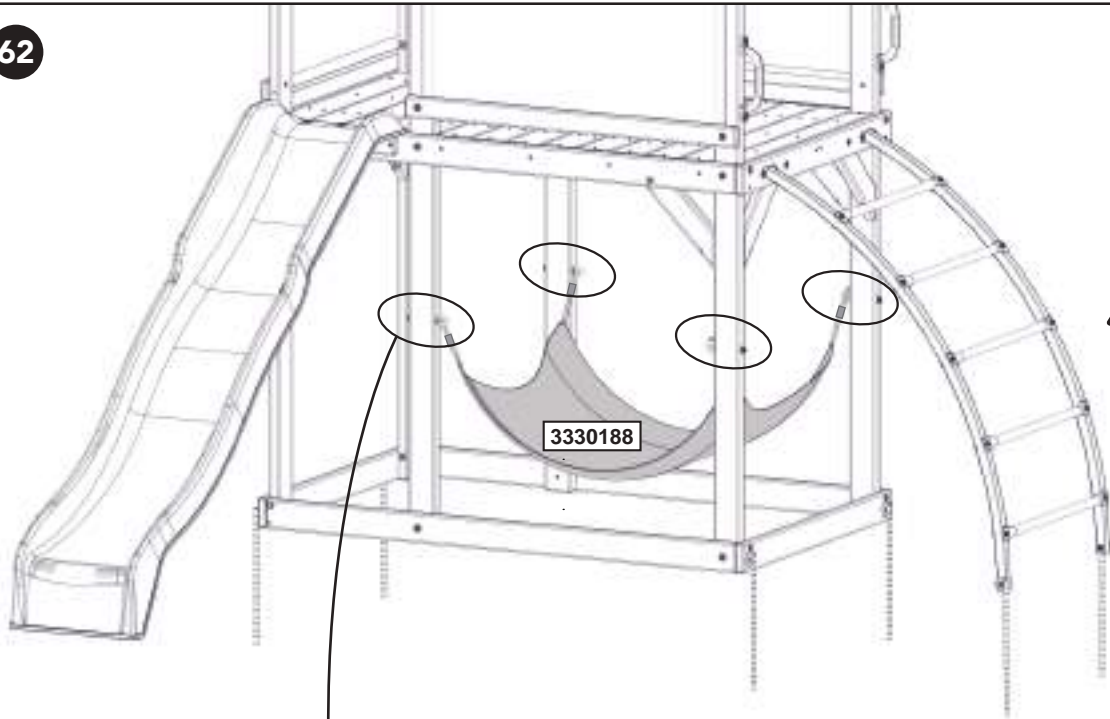
Hardware

3 x (S7) #12 x 50.8 mm (#12 x 2")

Other Parts

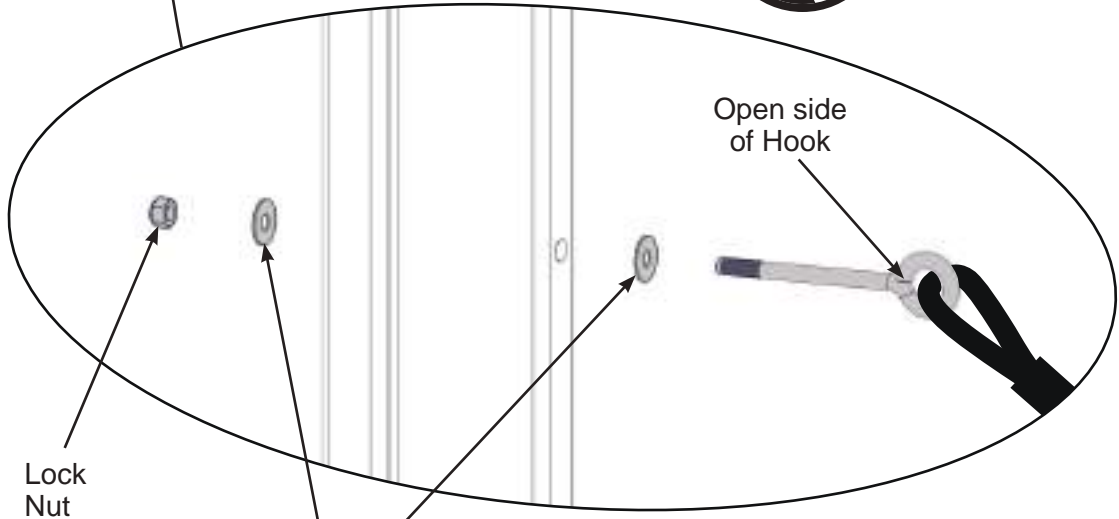
1 x 7310149-1





Max load weight is 210lbs (95 kg).

Fasteners included in lounger bag.
Ensure the open sides of the hooks face UP.



Lock Nut

Flat Washer

Open side of Hook

Other Parts

1 x 3330188

