

Step 19: Rockwall Assembly



A: Lay 2 (9484) Rails down, side by side with angled edges facing down. (Fig. 19.1)

B: Place (9522) Board Rock on the top of each (9484) Rail as shown in fig. 19.1. **Do not attach.** This board is to be used as a guide only and will be attached in a later step. Make sure (9522) Board Rock is flush to the outside and top edges of each (9484).

C: Taking note of the hole orientation, place 1 (9485) Board Rock at the bottom of the (9484) Rails, making sure that it is flush to the edges and the bottom. Attach using 4 (S20) #8 x 1-3/8" Wood Screws. (Fig. 19.1)

D: In between the top and bottom board, evenly space the remaining (9485) Board Rocks, making sure that the pre-drilled rock holes are at opposite ends on each board. This will prevent rocks from forming a straight line. Attach using 4 (S20) #8 x 1-3/8" Wood Screws per board. (Fig. 19.1)

E: Alternating colors and shapes, place 1 rock on each (9485) Board Rock and attach using 1 (PB2) 1/4 x 1-1/4" Pan Bolt (with lock washer, flat washer and barrel nut) and 1 (S10) #8 x 1" Pan Screw per rock. The Screw must be in the hole directly under the Pan Bolt, this will stop the rock from spinning. (Fig. 19.2 & 19.3 & 19.4 & 19.5).

Fig. 19.1

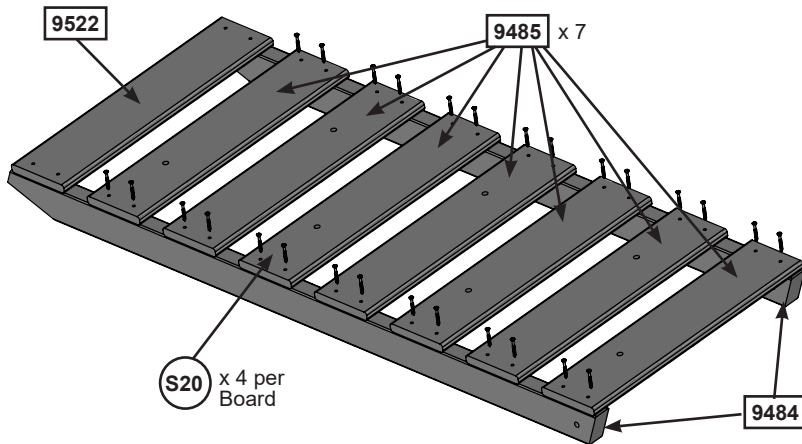


Fig. 19.5

Note hole orientation

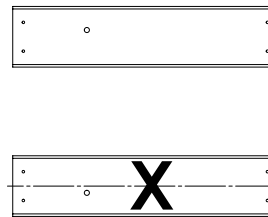


Fig. 19.2

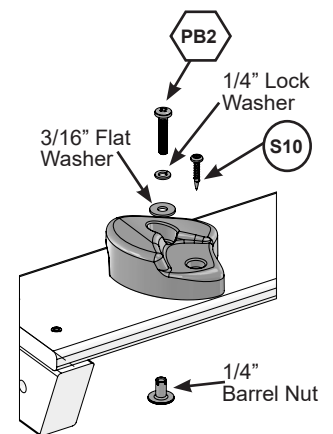


Fig. 19.3

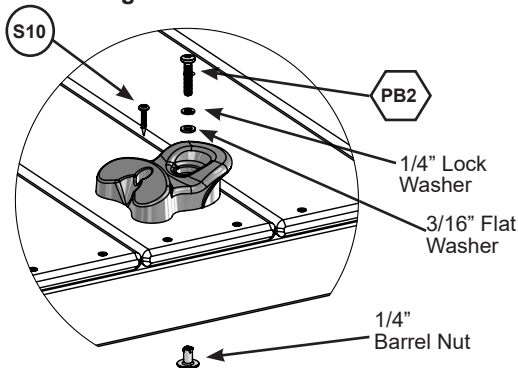
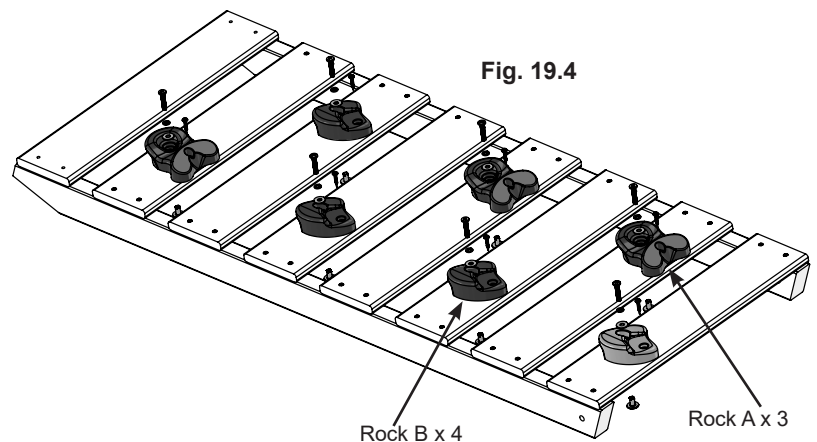


Fig. 19.4



Wood Parts

- 1 x 9522 Board Rock 1 x 2 x 22 7/16"
- 7 x 9485 Board Rock 9/16 x 4 1/2 x 19 11/16"
- 2 x 9484 Rail 1 1/4 x 2 7/16 x 50 11/16"

Hardware

- 7 x PB2 1/4 x 1-1/4 Pan Bolt (1/4" lock washer, 3/16" flat washer & 1/4" barrel nut)
- 7 x S10 #8 x 1" Pan Screw
- 28 x S20 #8 x 1-3/8" Wood Screw

Other Parts

- 3 x Rock A
- 4 x Rock B

europecustomerservice@kidkraft.com
+31 20 305 8620
M-F from 09:00 to 17:30 (GMT+1)

parts.kidkraft.eu



Step 20: Attach Rockwall Part 1

A: Place (9490) Ground Brace across the bottom left opening of the Deck Assembly so that it's flush to the front of (9494) Crowsnest Upright. Attach to the fort using 6 (S3) #8 x 2- 1/2" Wood Screws. (Fig. 20.1 & 20.2)

Fig. 20.1

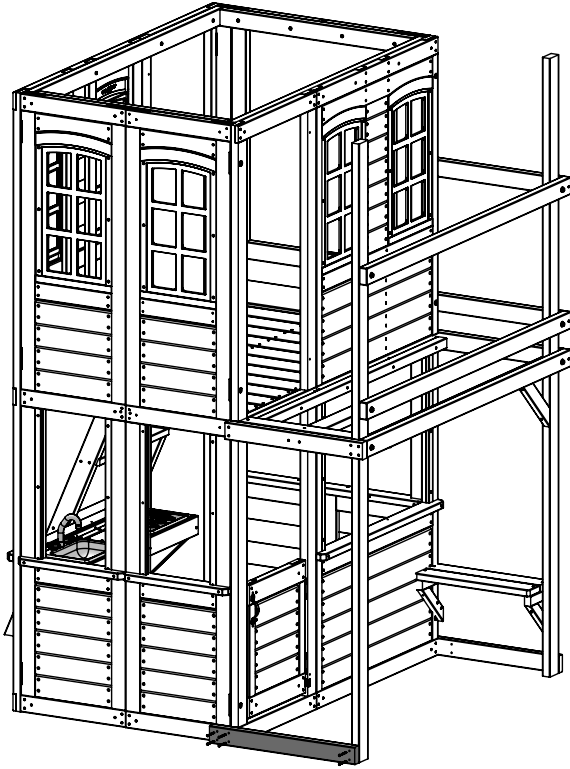
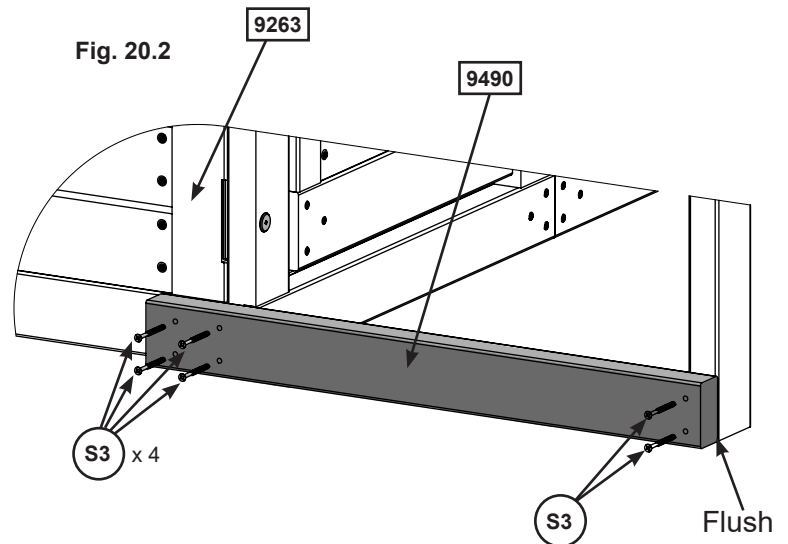


Fig. 20.2



Wood Parts

1 x 9490 Ground Brace 1 1/4 x 2 1/2 x 23 5/8"

Hardware

6 x S3 #8 x 2-1/2" Wood Screw

Step 20: Attach Rockwall Part 2



B: Place Access Ladder/Rockwall and 1-1/4" from the end into the opening on the left end of the deck assembly. Make sure it's flush to the top of the (9498) Crowsnest Short L and attach using 2 (S11) #8 x 2" Wood Screws. (fig. 20.4)

C: Place (9522) Board Rock in the opening at the top of the ladder, making sure it's flush to the edges and the top. Attach using 4 (S20) #8 x 1-3/8" Wood Screws. (fig. 20.3)

D: Place (9483) Diagonal so that the angled end is flush with the front edge of the outside (9484) Rail and attach using 1 (H3) 1/4 x 2-1/4" Hex Bolt (with lock washer, flat washer and t-nut). Attach opposite end of (9483) Diagonal to (9494) Crowsnest Upright and (9490) Ground Brace using 4 (S11) #8 x 2" Wood Screws. (fig. 20.5)

Fig. 20.3

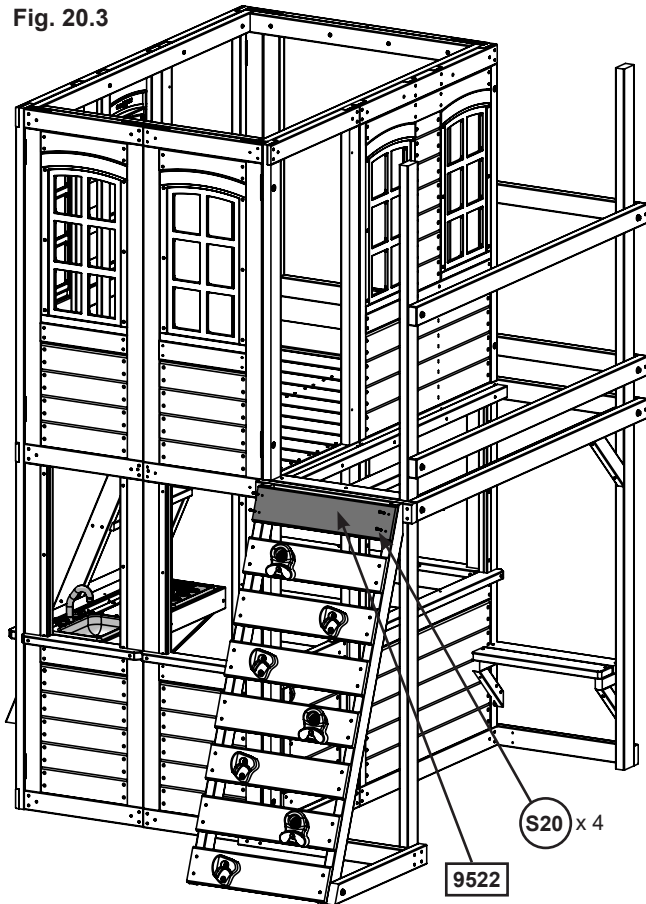


Fig. 20.4

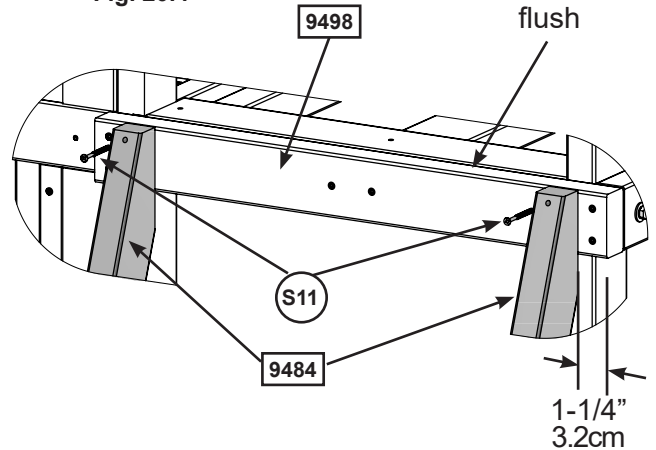
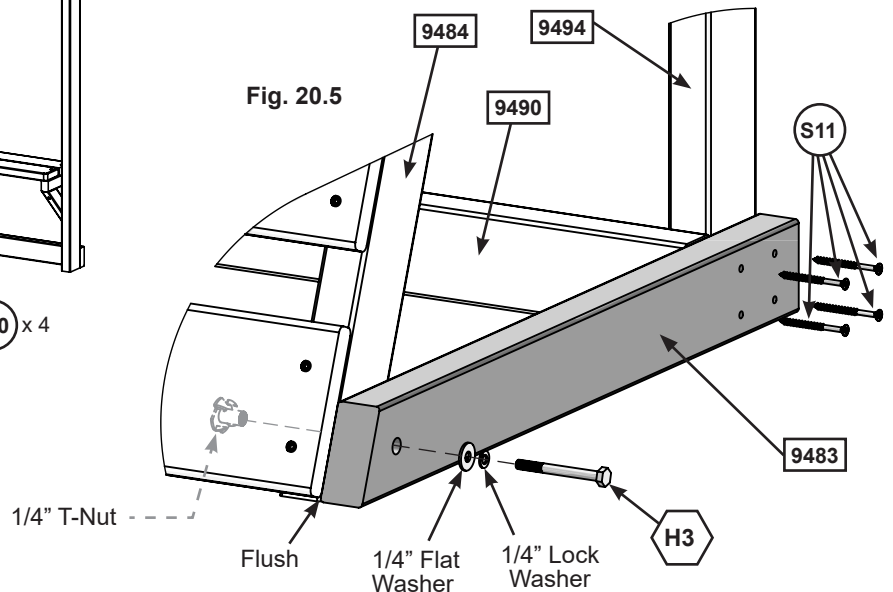


Fig. 20.5



Wood Parts

1 x 9483 Diagonal 1 x 2 x 23 1/8"

Hardware

6 x S11 #8 x 2" Wood Screw
 1 x H3 1/4 x 2-1/2" Hex Bolt (1/4" lock washer, 1/4" flat washer, 1/4" t-nut)
 4 x S20 #8 x 1-3/8" Wood Screw

europecustomerservice@kidkraft.com
 +31 20 305 8620
 M-F from 09:00 to 17:30 (GMT+1)

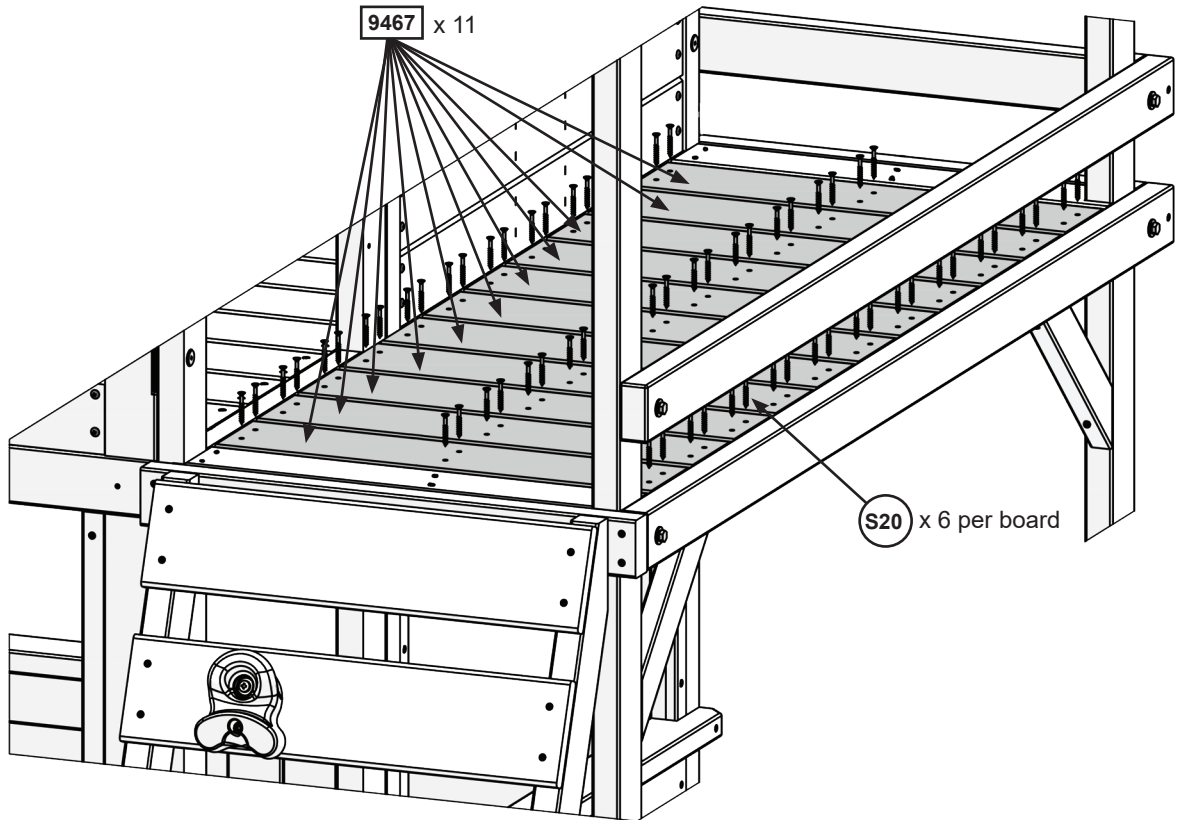
parts.kidkraft.eu



Step 21: Install Crowsnest Floor Boards

A: Evenly space 11 (9467) Floor Board Shorts between the 2 end boards and attach using 6 (S20) #8 x 1-3/8" Wood Screws per board.(Fig. 21.1)

Fig. 21.1



Wood Parts

11 x **9467** Floor Board Short 9/16 x 4 5/16 x 19 7/8"

Hardware

66 x **S20** #8 x 1-3/8" Wood Screw



KidKraft
MADE FOR MAKE BELIEVE™

parts.kidkraft.com

customerservice@kidkraft.com
1.800.933.0771
972.385.0100

Step 22: Install Cedar Walls



A: From inside the deck assembly, on the right end, evenly space 3 (9500) Cedar Wall boards between the (9496) Crowsnest Shorts making sure that the beveled edge is to the inside. Attach using 4 (S20) #8 x 1-3/8" Wood Screws per board. (Fig. 22.1 & 22.2)

B: Center 1 (9500) Cedar Wall in the front wall opening between the 2 (9494) Crowsnest Uprights. Attach (9500) Cedar Wall to each (9499A) Crowsnest Bottom using 4 (S20) #8 x 1-3/8 Wood Screws.(Fig. 22.1 & 22.2)

C: Install 4 (9500) Cedar Walls on each side of the center board, making sure that there is a 3" space between each board. Attach using 4 (S20) #8 x 1-3/8" Wood Screws per board. (Fig. 22.3 & 22.2 & 22.4)

Fig. 22.1

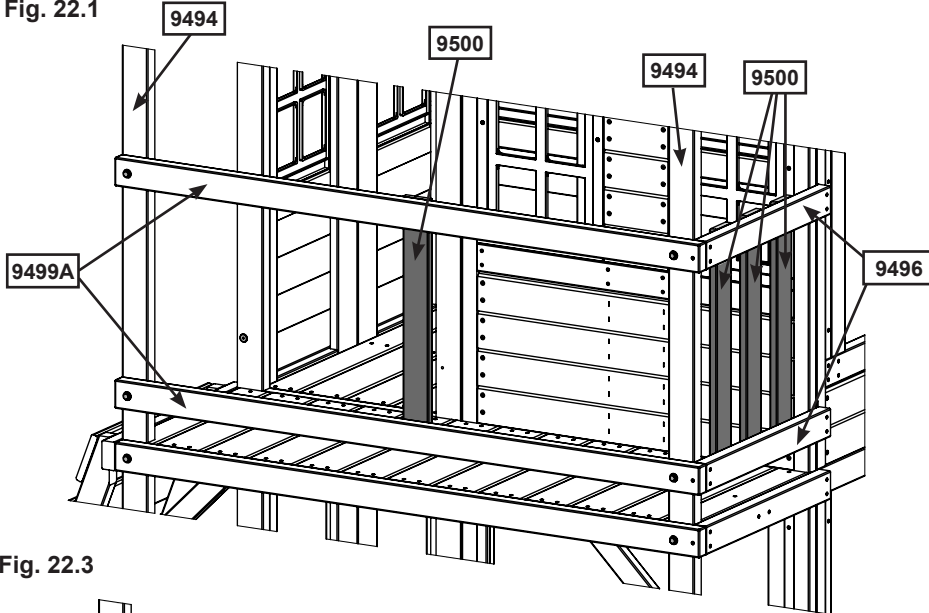


Fig. 22.4
3"
(7.62cm)

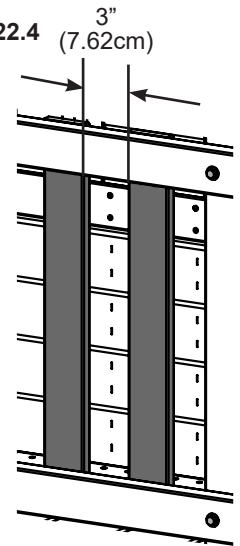


Fig. 22.3

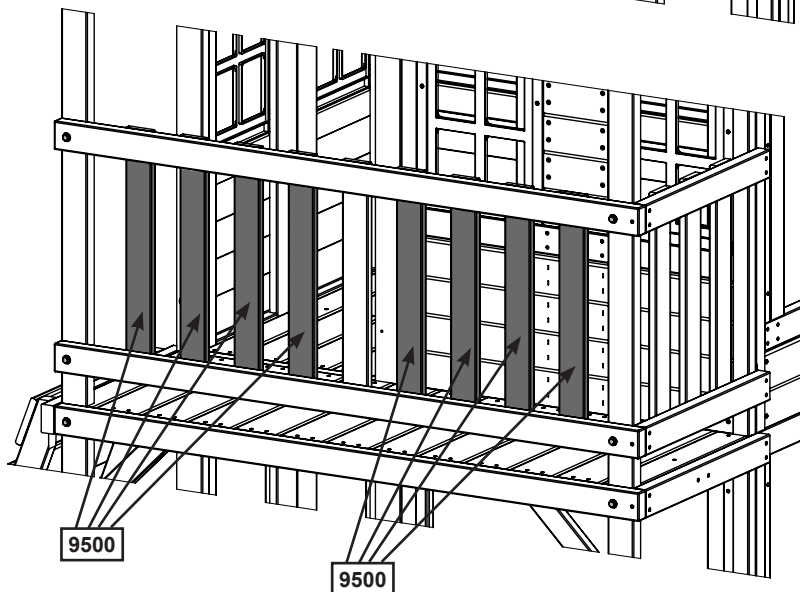
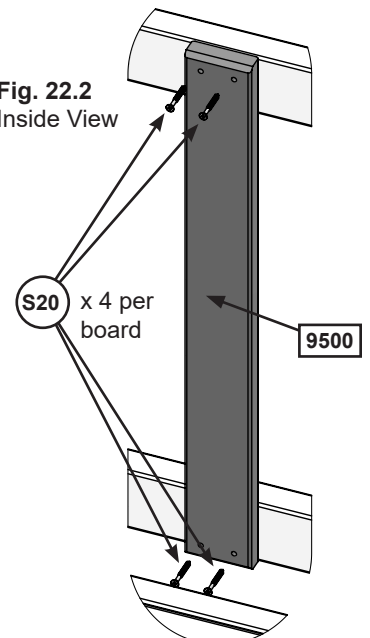


Fig. 22.2
Inside View



Wood Parts

12 x 9500 Cedar Wall 9/16 x 2 1/2 x 22 1/16"

Hardware

48 x S20 #8 x 1-3/8" Wood Screw



Step 23: Attach Flower Boxes

A: Attach Flower Boxes in the locations shown in 23.1 using 2 (S0) #8 x 7/8" Truss Head Screws per box.

Fig. 23.1

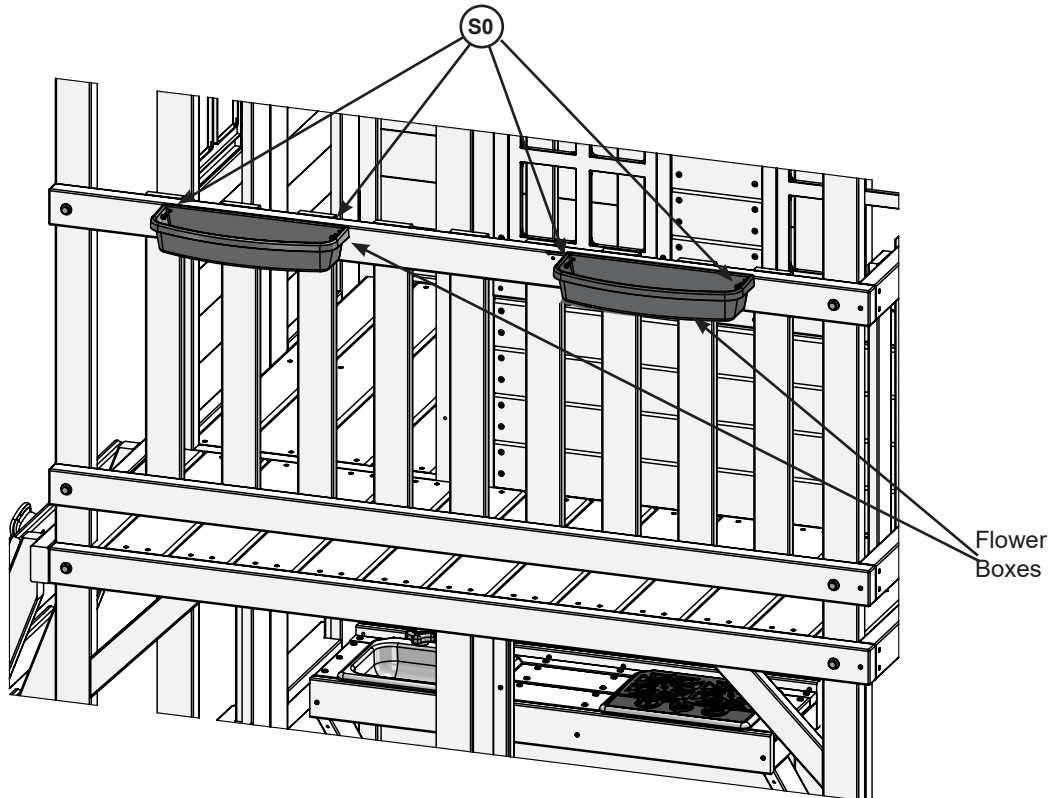
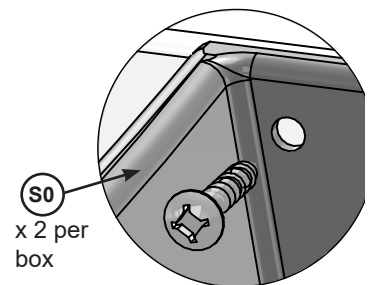


Fig. 23.2



Hardware

4 x  #8 x 7/8" Truss Head Screw

Other Parts

2 x Flower Box

Step 24: Attach Hand Grips to Fort



Note: Pre-drill all holes using a 1/8" drill bit before installing the Wafer Lags

A: Measure 6" up from the top of the Rockwall and center 1 Hand Grip on each side. Pre-drill, then attach Hand Grips with 2 (WL3) 1/4 x 1-3/8" Wafer Lags (with flat washer) per Hand Grip. (fig. 24.1 and 24.3)

B: Measure 6" up from the Access Ladder and place 2 more Hand Grips so they are flush to the edges of the opening. Pre-drill, then attach using 2 (WL3) 1/4 x 1-3/8" Wafer Lags (with flat washer) per Hand Grip. (fig. 24.2 and 24.3)

Fig. 24.1

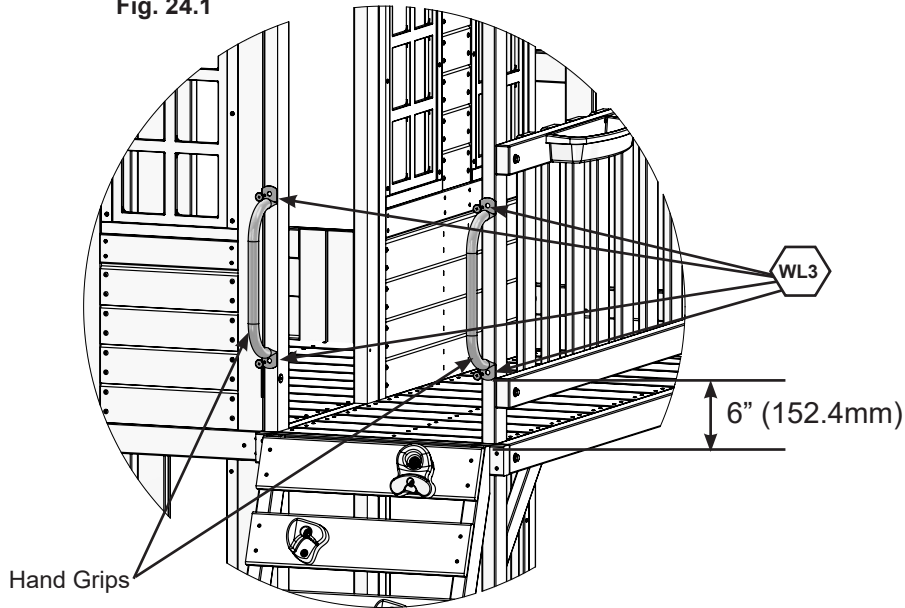


Fig. 24.3

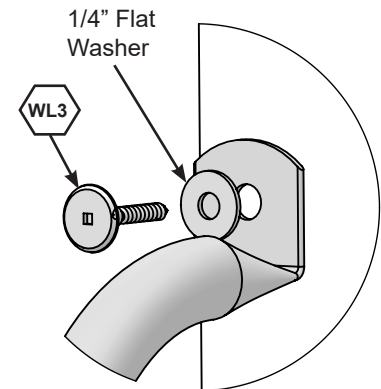
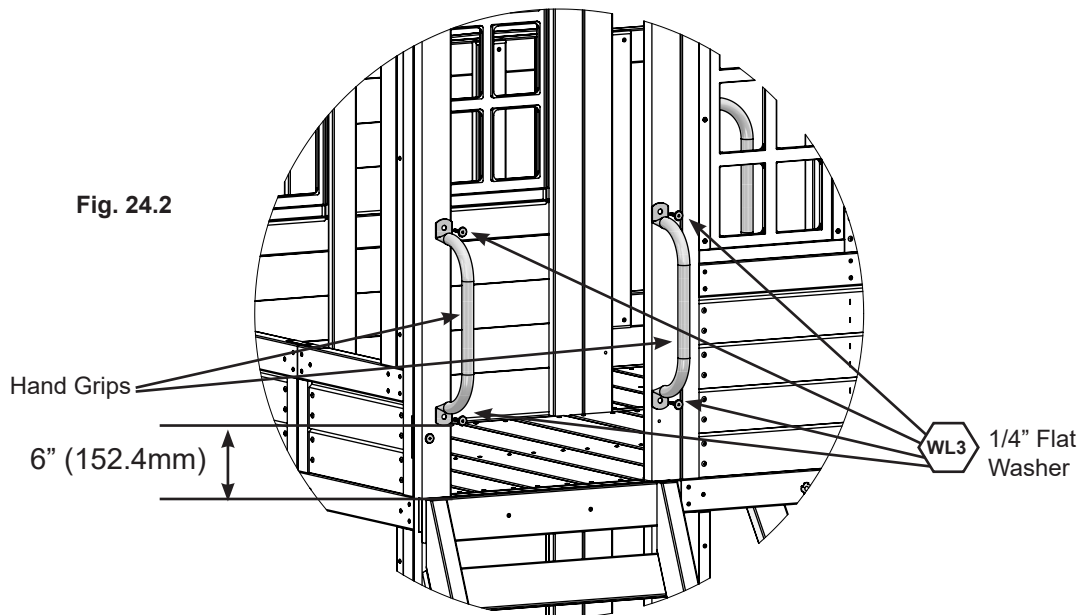


Fig. 24.2



Hardware

8 x  1/4 x 1-3/8" Wafer Lag (1/4" Flat Washer)

Other Parts

4 x Hand Grips



Step 25: Roof Support Assembly Part 1

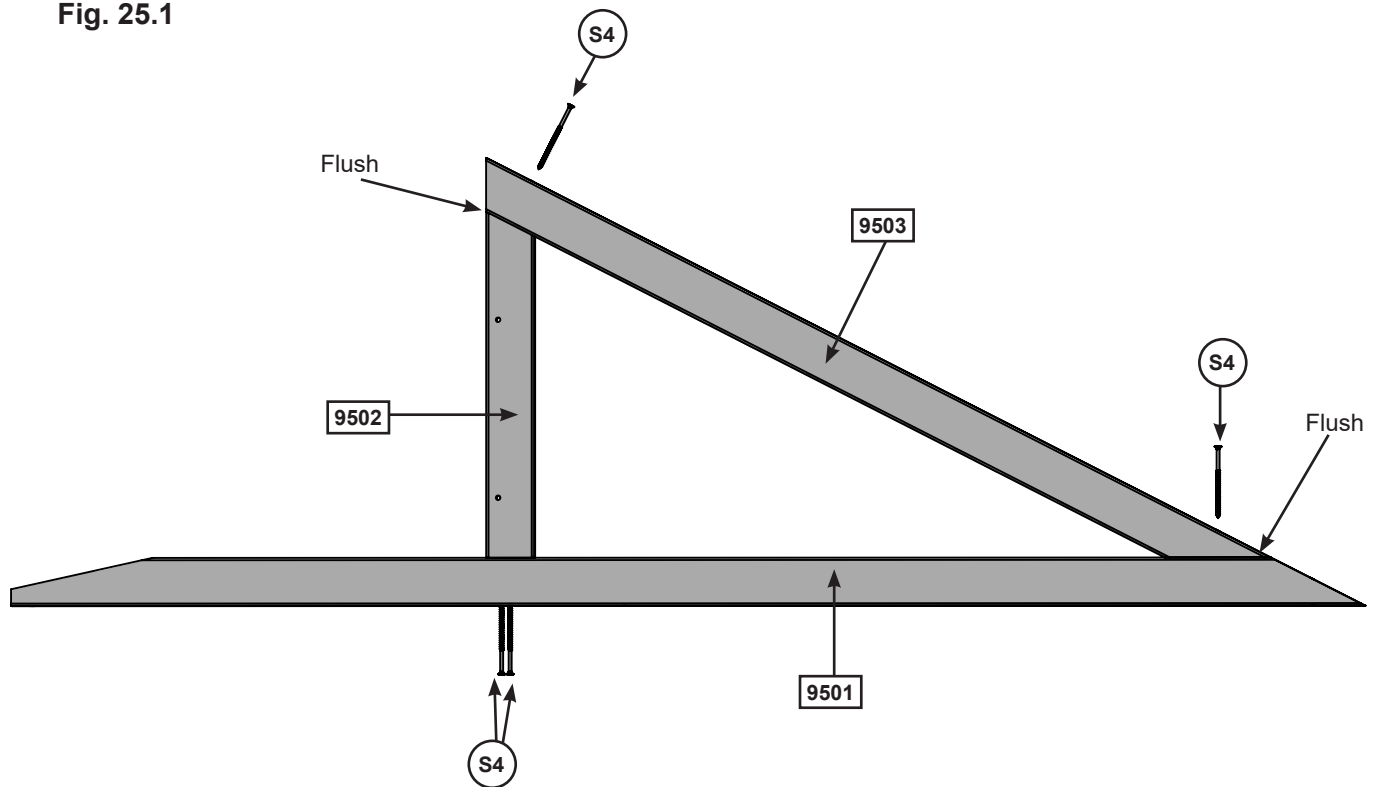


A: Place (9501) Top Swing flat on the ground with the angles facing up. The sharper angle should be on the right end. Place (9503) Roof Support as shown in fig. 25.1 making sure that it's flush with the edge of (9501) Top Swing.

B: Place (9502) Support Upright as shown in fig. 25.1, making sure that it's flush with the end of (9503) Roof Support and centered over the pre-drilled holes in (9501) Top Swing. Check to ensure that the assembly is square then attach boards using 4 (S4) #8 x 3" Wood Screws.

C: Repeat steps A and B to create a second assembly.

Fig. 25.1



Wood Parts

- 2 x Top Swing 1 x 2 x 56 7/16"
- 2 x Support Upright 1 x 2 x 10 5/8"
- 2 x Roof Support 1 x 2 x 34 1/16"

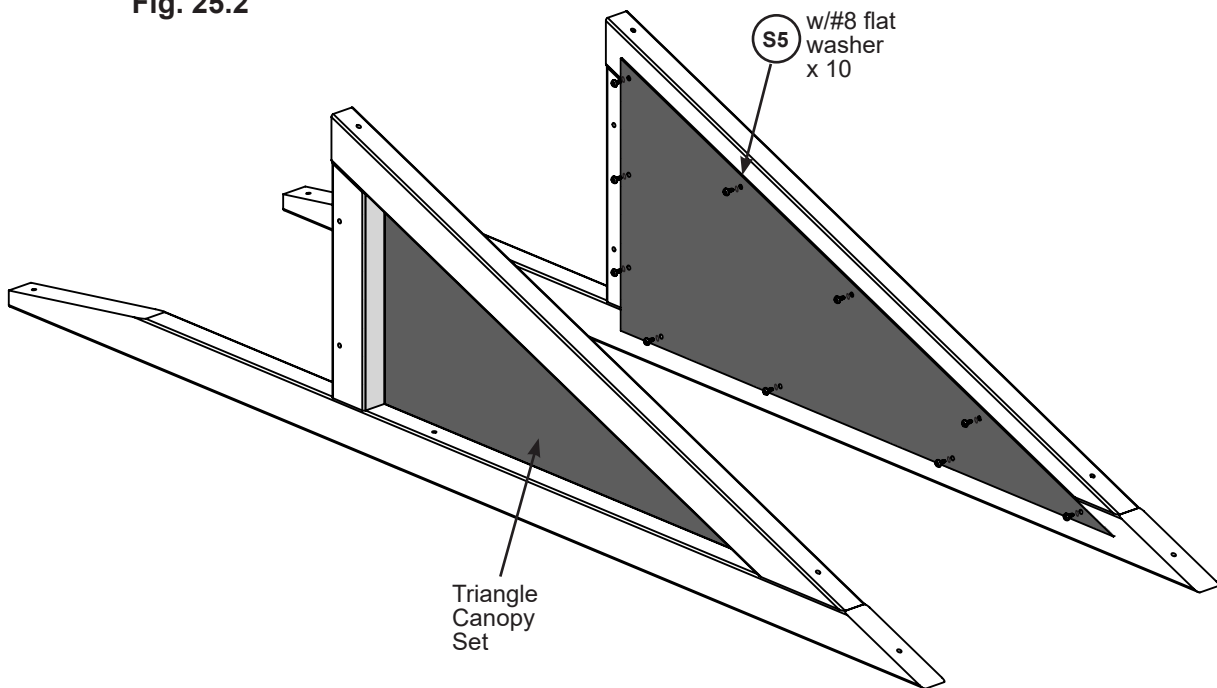
Hardware

- 8 x #8 x 3" Wood Screw

Step 25: Roof Support Assembly Part 2

A: Center 1 Triangle Canopy over the inside of each Roof Support Assembly. Make sure canopy is pulled tight during the installation. Attach using 10 (S5) #8 x 1/2" Pan Screws (#8 flat washer) per canopy. (Fig. 25.2)

Fig. 25.2



Hardware

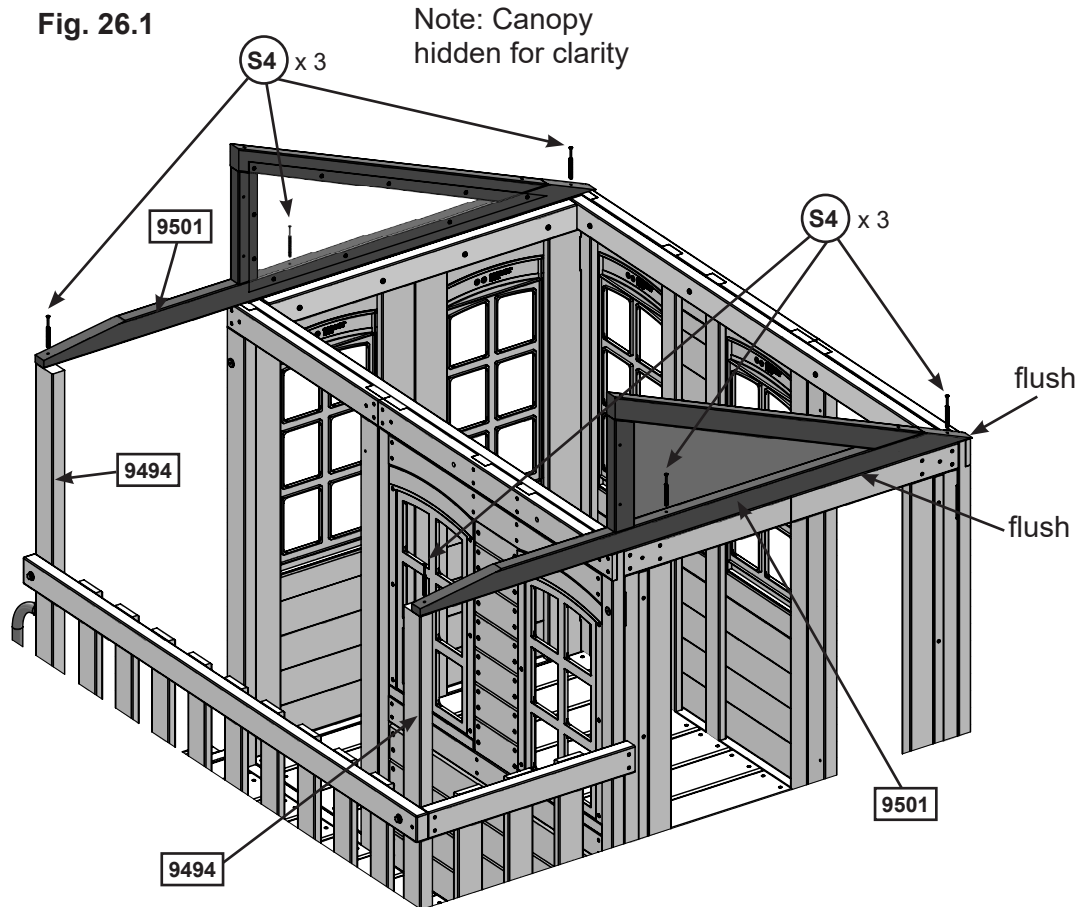
20 x  #8 x 1/2" Pan Screw (#8 flat washer)

Other Parts


1 x Cozy Escape
Triangle Canopy Set

Step 26: Attach Roof Support Assembly

A: Place 1 Roof Support Assembly across each end of the fort as shown in fig. 26.1. Make sure that assemblies are flush to the back and end wall panels and to the outside edge of the (9494) Crowsnest Uprights. Attach using 3 (S4) #8 x 3" Wood Screws per side. (fig. 26.1)



Hardware

6 x  #8 x 3" Wood Screw



KidKraft
MADE FOR MAKE BELIEVE™

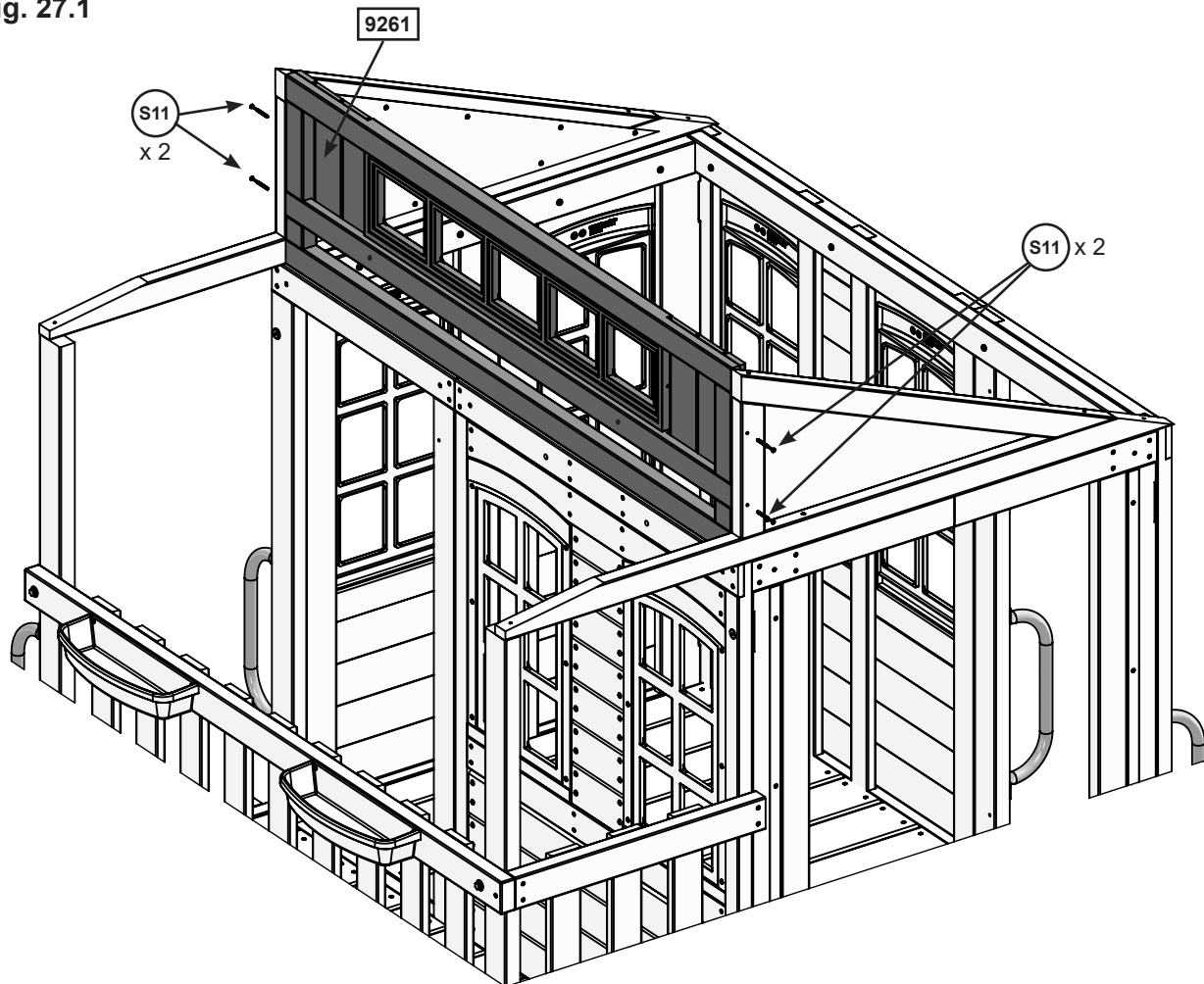
parts.kidkraft.com

customerservice@kidkraft.com
1.800.933.0771
972.385.0100

Step 27: Install Window Panel

A: Making sure that the windows are at the top, place (9261) Window Panel over the front wall panel so that it fits between the 2 Roof Support Assemblies. Attach using 4 (S11) #8 x 2" Wood Screws. (fig. 27.1)

Fig. 27.1



Wood Parts

1 x **9261** Window Panel 1 1/4 x 14 3/4 x 53 15/16"

Hardware

4 x **S11** #8 x 2" Wood Screw

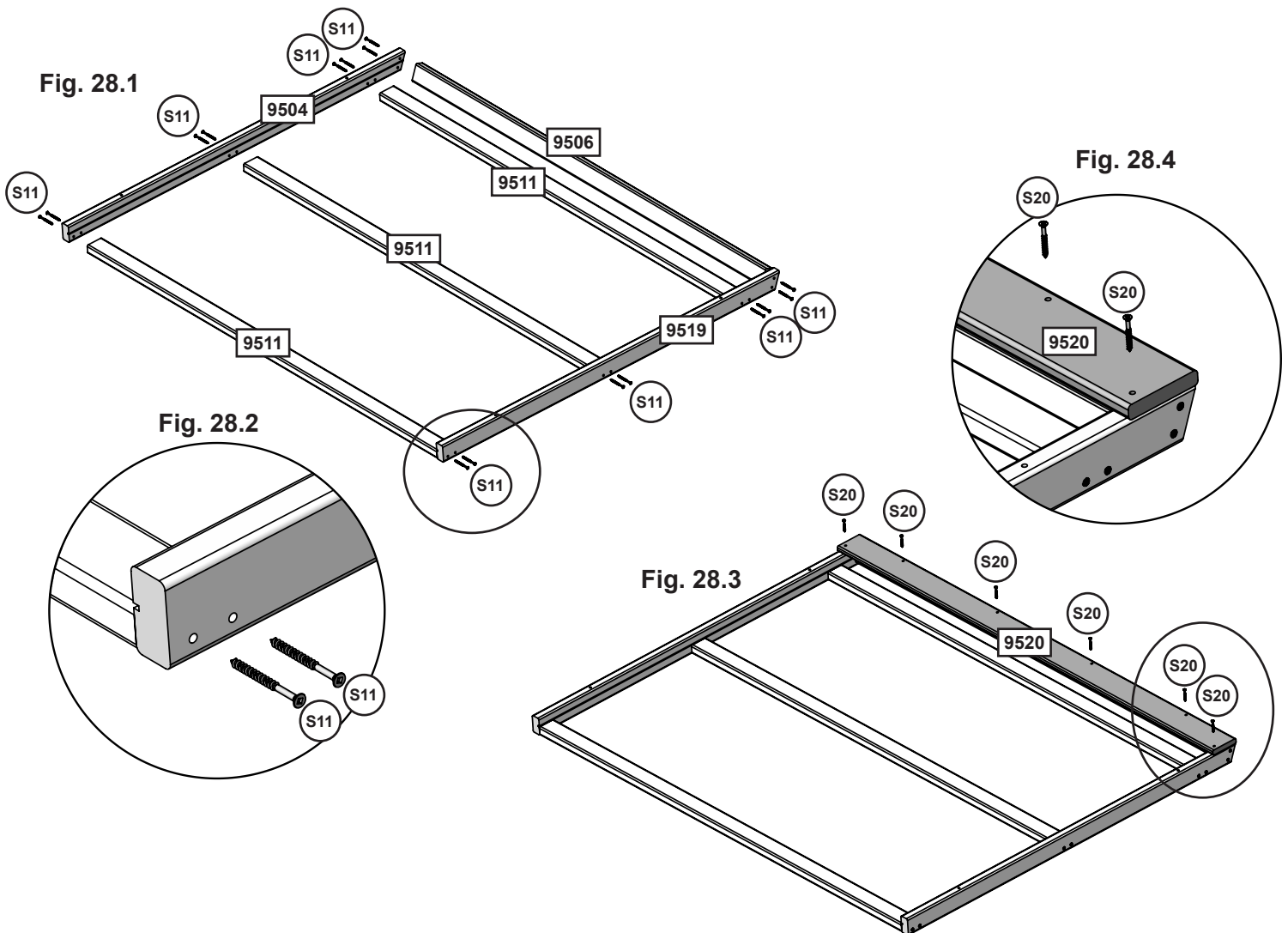
Step 28: Large Roof Panel Assembly Part 1

A: Lay flat 3 (9511) Roof Bottoms. Place 1 (9504) Roof Sleeper Left along the top of the Roof Bottoms, taking note of the hole orientation. Attach (9504) Roof Sleeper to each (9511) Roof Bottom using 2 (S11) #8 x 2" Wood Screws. (fig. 28.1 & 28.2)

B: Place 1 (9519) Roof Sleeper Right along the bottom of the (9511) Roof Bottoms being careful to note the hole orientation. Attach (9519) Roof Sleeper Right to each (9511) Roof Bottoms using 2 (S11) #8 x 2" Wood Screws. (fig. 28.1 & 28.2)

C: Fit (9506) Roof Bottom A between (9519) Roof Sleeper Right and (9504) Roof Sleeper Left as shown in (fig. 28.1) Attach using 2 (S11) #8 x 2" Wood Screws per end.

D: Lay (9520) Roof Cover flat over the (9506) Roof Bottom A, making sure that it's flush with the edges of the assembly. Attach using 6 (S20) #8 x 1-3/8" Wood Screws. (fig. 28.3 & 28.4)



Wood Parts

- 1 x 9504 Roof Sleeper left 1 x 2 x 44 3/4"
- 1 x 9506 Roof Bottom A 1 x 2 x 54"
- 3 x 9511 Roof Bottom 1 x 2 x 54"

- 1 x 9519 Roof Sleeper Right 1 x 2 x 44-3/4"
- 1 x 9520 Roof Cover 9/16 x 3-1/8 x 56-1/8"

Hardware

- 16 x S11 #8 x 2" Wood Screw
- 6 x S20 #8 x 1-3/8" Wood Screw



parts.kidkraft.com

customerservice@kidkraft.com
1.800.933.0771
972.385.0100

Step 28: Large Roof Panel Assembly Part 2

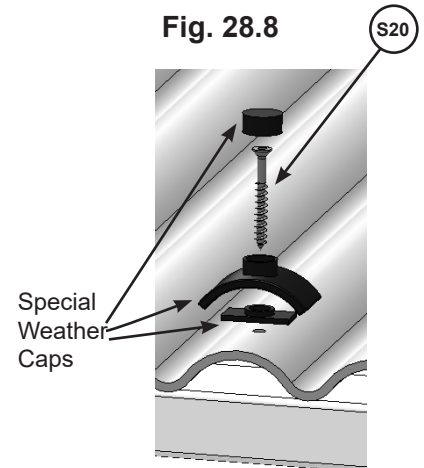
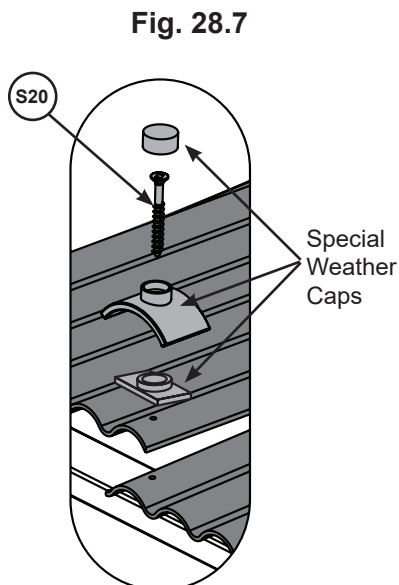
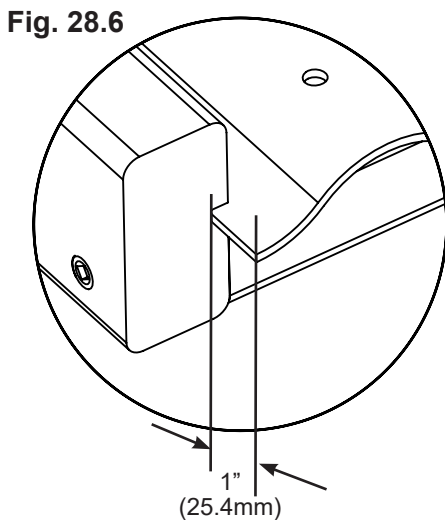
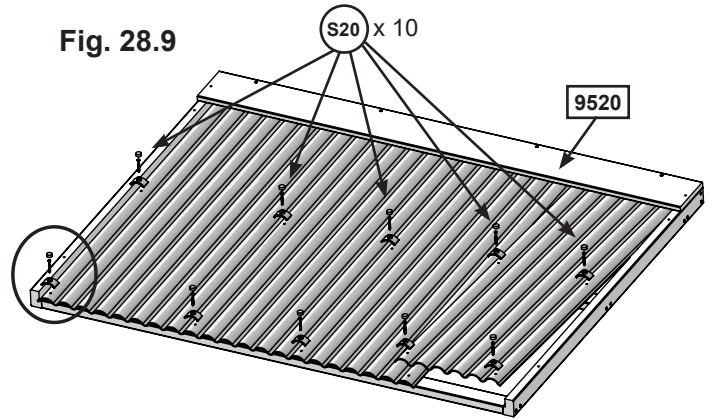
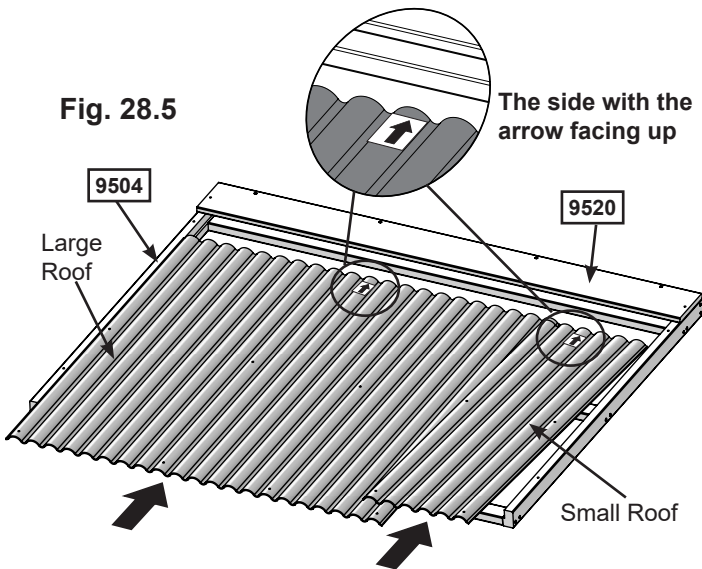


Important: Do not over tighten hardware

E: Slide 1124 x 1067mm Roof Panel under (9520) Roof Cover so that it's tight to (9504) Roof Sleeper Left. (Fig. 28.5 & 28.6 & 28.9)

F: Place 370 x 1067mm Roof Panel in the remaining opening, under (9520) Roof Cover. The inside edge should overlap the Large Roof panel with the pre-drilled holes lining up. (Fig. 28.5 & 28.6 & 28.9)

G: Pre-drill all holes using a 1/8" drill bit, place Special Weather Cap brackets over each hole in the Roof Panels then attach using 1 (S20) #8 x 1-3/8" Wood Screw per bracket. Press the Special Weather Cap over the top of each screw. (Fig. 28.7 & 28.8 & 28.9)



Hardware

10 x S20 #8 x 1-3/8" Wood Screw

Other Parts

1 x 1124 x 1067mm Roof Panel
1 x 370 x 1067mm Roof Panel
10 x Special Weather Caps

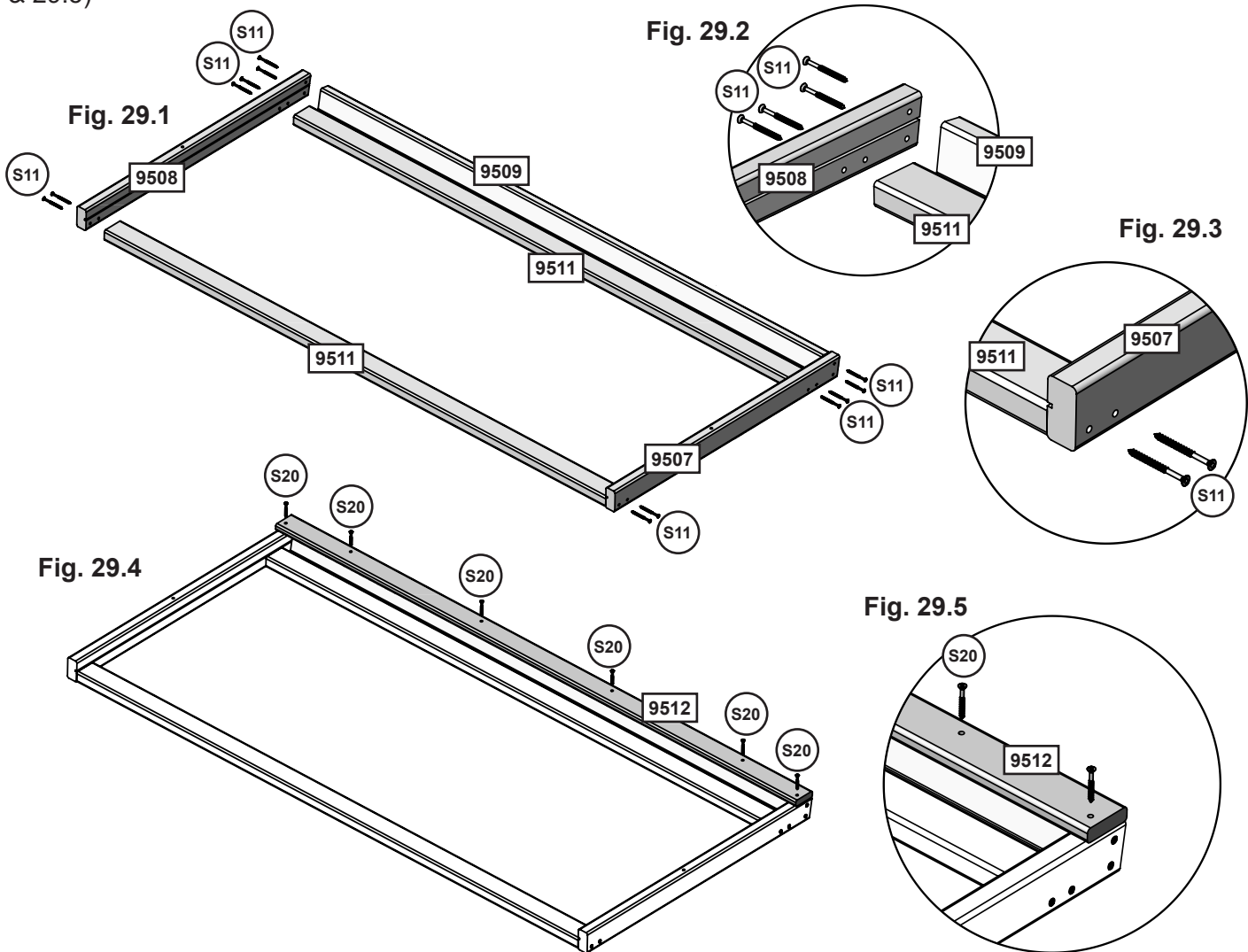
Step 29: Small Roof Panel Assembly Part 1

A: Lay flat 2 (9511) Roof Bottoms. Place 1 (9508) Roof Sleeper Short along the top of the Roof Bottoms taking note of the hole orientation. Attach (9508) Roof Sleeper Short to (9511) Roof Bottoms using 4 (S11) #8 x 2" Wood Screws. (fig . 29.1 & 29.2)

B: Place (9507) Roof Sleeper Short I along the bottom of (9511) Roof Bottoms taking note of the hole orientation. Attach using 4 (S11) #8 x 2" Wood Screws. (fig . 29.1 & 29.3)

C: Fit (9509) Roof Bottom B tight against (9511) Roof Bottom so that it lines up with the pre-drilled holes in the ends of (9508) Roof Sleeper Short and (9507) Roof Sleeper Short I. Attach using 2 (S11) #8 x 2" Wood Screws per end. (fig . 29.1 & 29.2 & 29.3)

D: Place (9512) Roof Cover over the top of (9509) Roof Bottom B, (9508) Roof Sleeper Short and (9507) Roof Sleeper Short I, making sure that it is flush with the edges. Attach using 6 (S20) #8 x 1-3/8" Wood Screws (fig. 29.4 & 29.5)



Wood Parts

1 x **9507** Roof Sleeper short I 1 x 2 x 26 1/2"
 1 x **9508** Roof Sleeper short 1 x 2 x 26 1/2"
 2 x **9511** Roof Bottom 1 x 2 x 54"

1 x **9509** Roof Bottom b 1 x 2 x 54"
 1 x **9512** Roof Cover 9/16 x 3-1/8 x 56-1/8"

Hardware

12 x **S11** #8 x 2" Wood Screw
 6 x **S20** #8 x 1-3/8" Wood Screw

Step 29: Small Roof Panel Assembly Part 2



Important: Do not over tighten hardware

E: Slide 1124 x 650mm Roof Panel under (9512) Roof Cover so that it's tight to (9508) Roof Sleeper. (fig.29.6 & 29.7 & 29.10)

F: Place 370 x 650mm Roof Panel in the remaining opening, under (9512) Roof Cover. The inside edge should overlap the Large Roof panel with the pre-drilled holes lining up. (fig. 29.6 & 29.7 & 29.10)

G: Pre-drill each hole using a 1/8" drill bit, place Special Weather Cap brackets over each hole in the Roof Panels then attach using 1 (S20) #8 x 1-3/8" Wood Screw per bracket. Press the Special Weather Cap over the top of each screw. (fig. 29.8 & 29.9 & 29.10)

Fig. 29.6

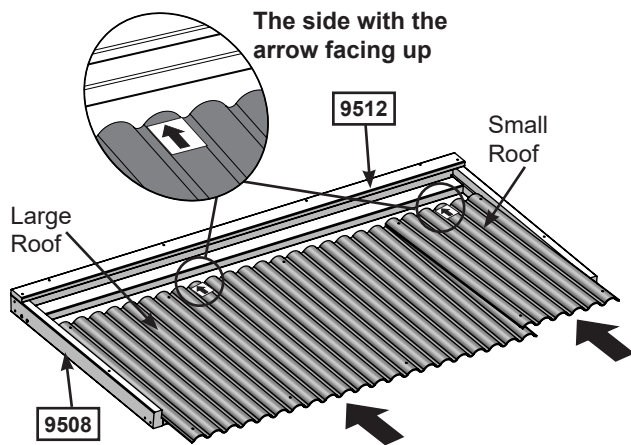


Fig. 29.10

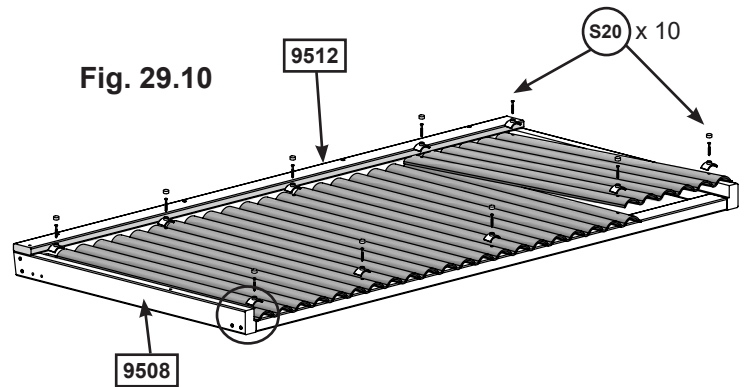


Fig. 29.7

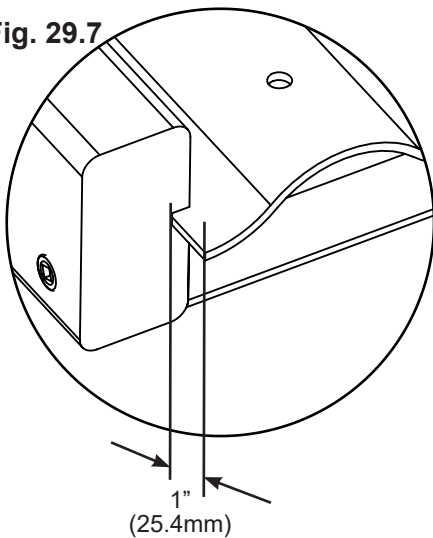


Fig. 29.8

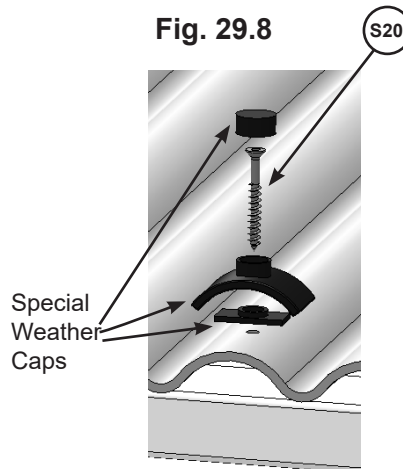
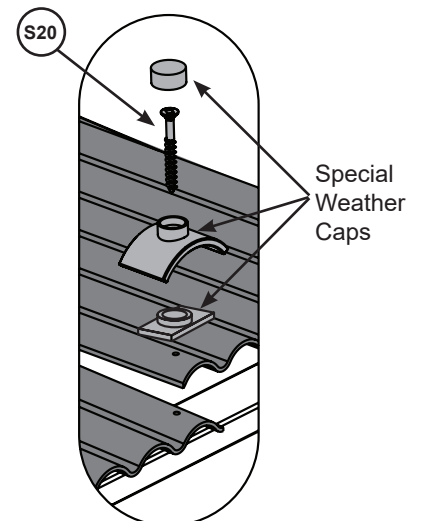


Fig. 29.9



Hardware

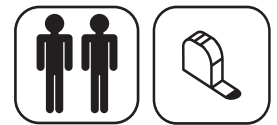
10 x (S20) #8 x 1-3/8" Wood Screw

Other Parts

1 x 1124 x 650mm Roof Panel
1 x 370 x 650 Roof Panel
10 x Special Weather Caps



Step 30: Attach Roof Panel Assemblies



A: With a helper, lift the small roof panel assembly and place it over the deck, making sure that the top is tight to the window panel. Attach from the inside using 2 (S11) #8 x 2" Wood Screws and from the outside with 2 (S4) #8 x 3" Wood Screws.(Fig 30.1)

B: With at least 1 helper, lift the large roof panel assembly and place it over the fort, making sure that it is flush to the edges. There should be an overhang of approximately 1" at the roof peak (Fig. 30.3 & 30.4). Attach using 4 (S4) #8 x 3" Wood Screws.(Fig 30.2)

Fig. 30.2

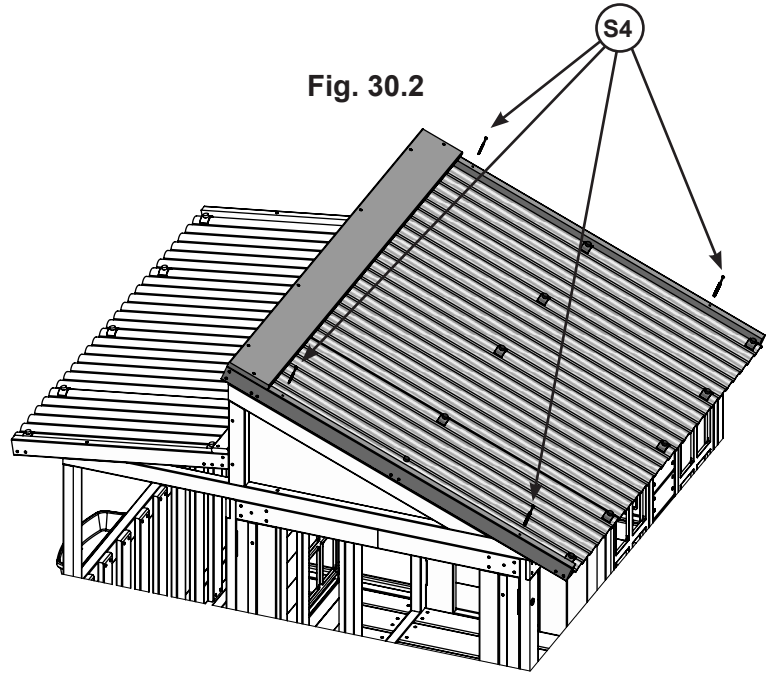


Fig. 30.1

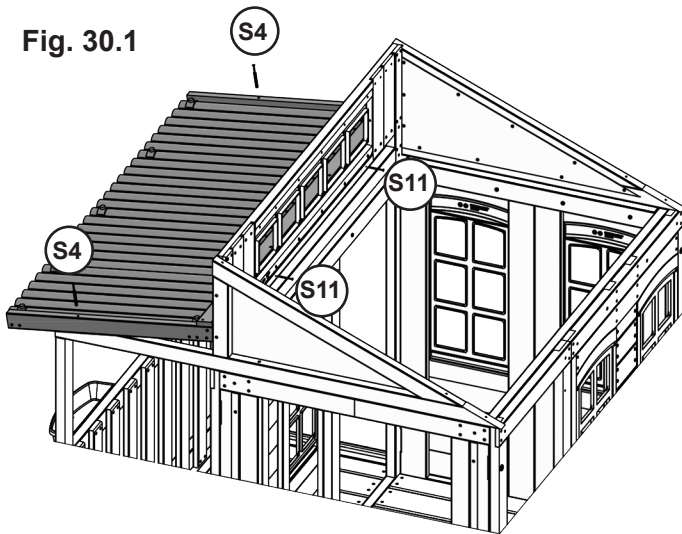


Fig. 30.4

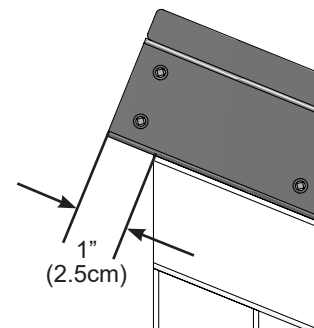
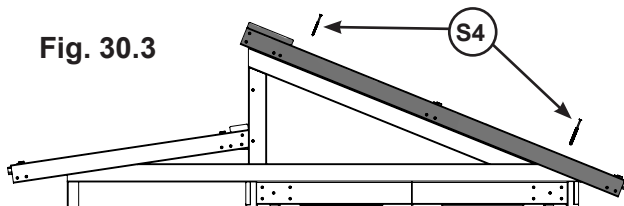




Fig. 30.3



Hardware

- 6 x  #8 x 3" Wood Screw
- 2 x  #8 x 2" Wood Screw

Step 31: Install Mid Cross

A: Place (9514) Mid Cross at the top of the opening in the Slide End Panel making sure that it is flush to the inside wall. Place 1 flat bracket over each end of (9514) Mid Cross so that they are centered over the board and the panel. Attach using 4 (S0) #8 x 7/8" Truss Head Screws per bracket. (Fig. 31.1 & 31.2)

B: At the bottom of the opening, center 1 Flat Panel Bracket over the 2 panel sections and attach using 4 (S0) #8 x 7/8" Truss Head Screws. (Fig. 31.1 & 31.3)

Fig. 31.2

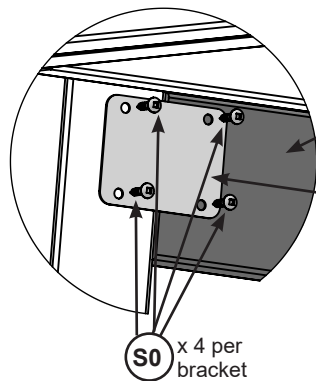


Fig. 31.1

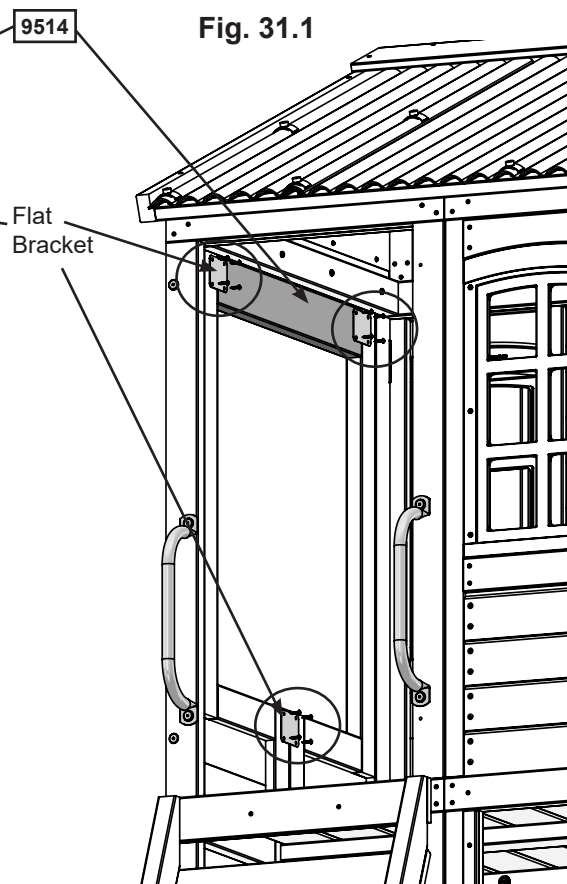
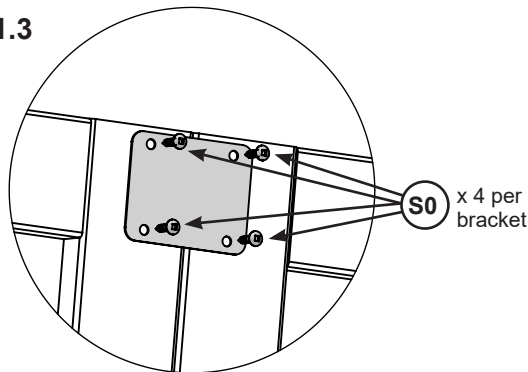


Fig. 31.3



Wood Parts

1 x 9514 Mid Cross 1 1/4 x 3 7/16 x 24 5/16"

Hardware

12 x S0 # 8 x 7/8" Truss Head Screw

Other Parts

3 x Flat Panel Bracket

Step 32: Slide Section Assemblies Part 1



Note: When installing Pan Bolts make sure to look at holes so bolts go through the side with the round recess and the lock nuts go through the side with the hexagonal recess. (fig. 32.3)

A: Fit 2 TNR2 Slide Elbows together and attach with 8 (PB1) 1/4 x 3/4" Pan Bolts (with lock nut) as shown in fig. 32.1. It is very important to attach bolts as indicated.

B: Repeat Step A 3 more times to create 4 Elbow Sections in total.

C: Attach TNR3 Extended RT Flange and TNR3 Extended LT Flange together using 9 (PB1) 1/4 x 3/4" Pan Bolts (with lock nut) as shown in fig. 32.2. This creates the Flange Assembly.

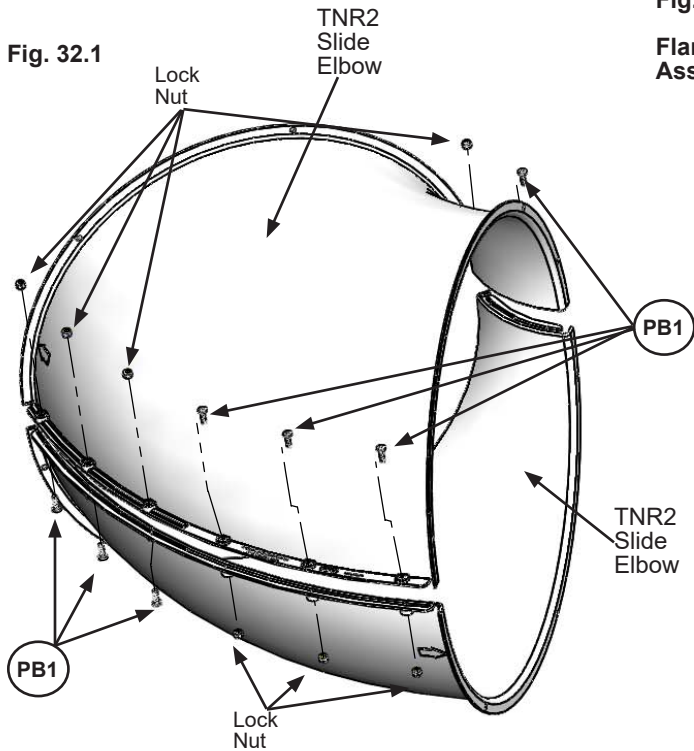


Fig. 32.2
Flange Assembly

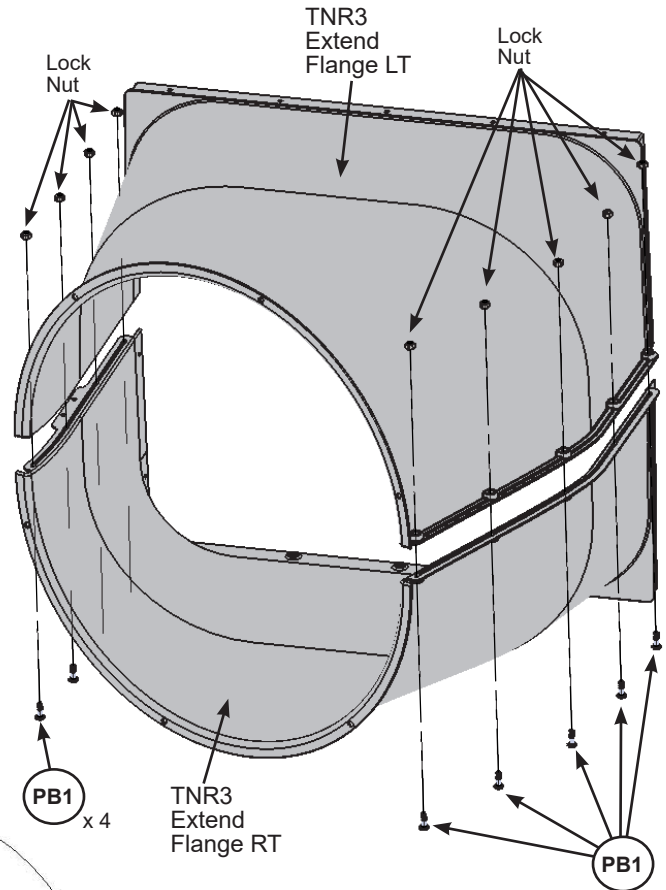
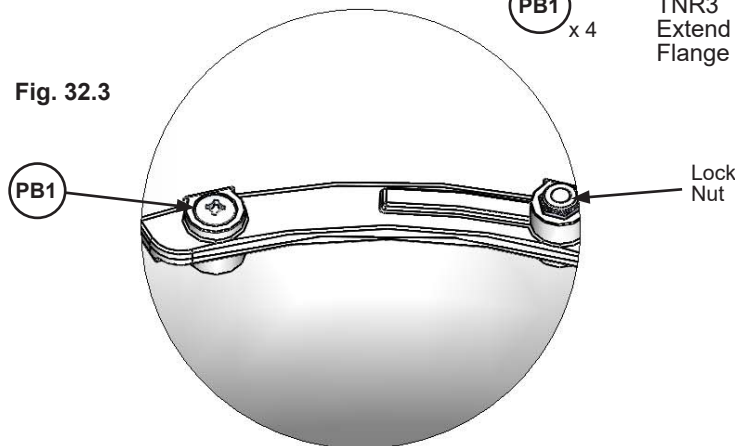


Fig. 32.3



Hardware

41 x **(PB1)** 1/4 x 3/4" Pan Bolt
(1/4" lock nut)

Other Parts

1 x TNR3 Extend Flange RT
1 x TNR3 Extend Flange LT
8 x TNR2 Slide Elbow

Step 32: Slide Section Assemblies Part 2



Note: When installing Pan Bolts make sure to look at holes so bolts go through the side with the round recess and the lock nuts go through the side with the hexagonal recess. (fig. 32.3)

D: Attach TNR2 Slide Exit Top and the remaining TNR2 Slide Elbow together using 8 (PB1) 1/4 x 3/4" Pan Bolts (with lock nut) as shown in fig. 32.4. It is very important to attach bolts as indicated. This creates the Exit Elbow Assembly.

Fig. 32.4

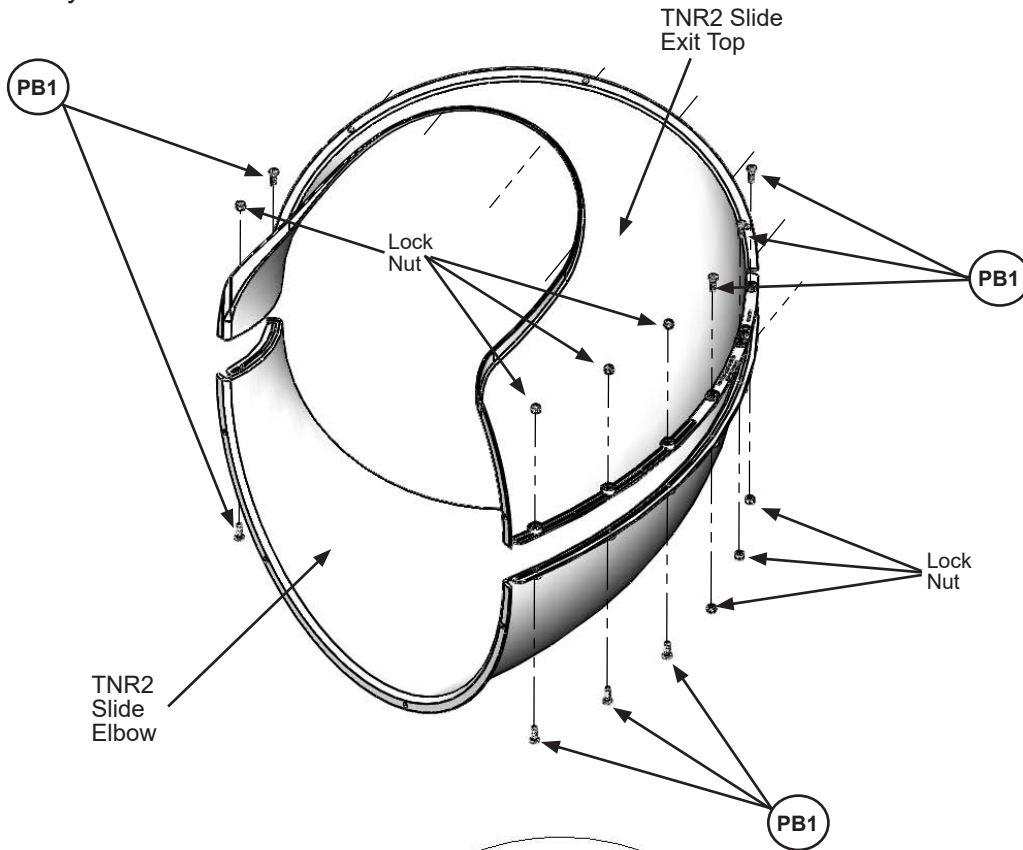
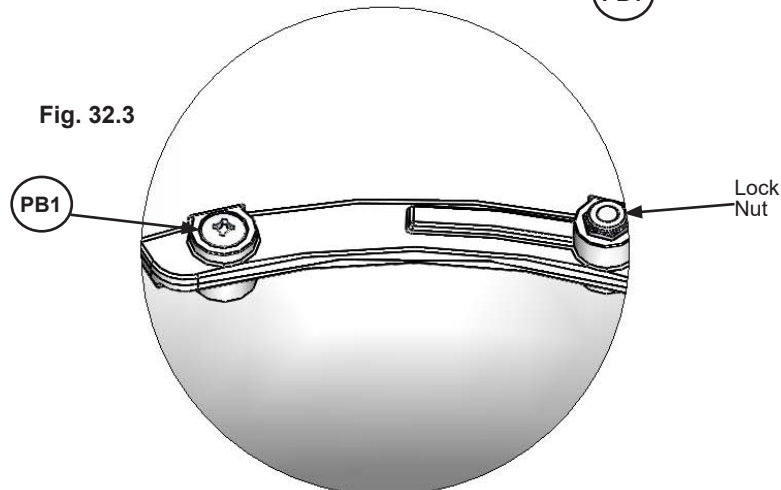



Fig. 32.3



Hardware

8 x  1/4 x 3/4" Pan Bolt
(1/4" lock nut)

Other Parts

1 x TNR2 Slide Exit Top
1 x TNR2 Slide Elbow



Step 33: Attach Flange Assembly to Fort



A: With a helper place the Flange Assembly in the opening so that it's flush to the (9514) Mid Cross as shown in fig. 33.1 & 33.2. Pre-drill 1/8" pilot holes in the bottom 4 mounting locations (approximate spots where circles are on figure), making sure the pre-drilled holes are a minimum of 2.5 cm (1") deep. (fig. 33.1)

B: Attach Flange Assembly to bottom of opening using 4 (S7) #12 x 2" Pan Screws in the pre-drilled holes. (fig. 33.1) Make sure the flat surfaces of the Flange Assembly are flush to the (9514) Mid Cross as shown in fig. 33.3.

C: Attach the Flange Assembly flush to top of (9514) Mid Cross opening using 4 (S6) #12 x 1" Pan Screws as shown in fig. 33.1 and to both sides using 5 (S6) #12 x 1" Pan Screws per side. (fig. 33.1)

Fig. 33.1
Inside View

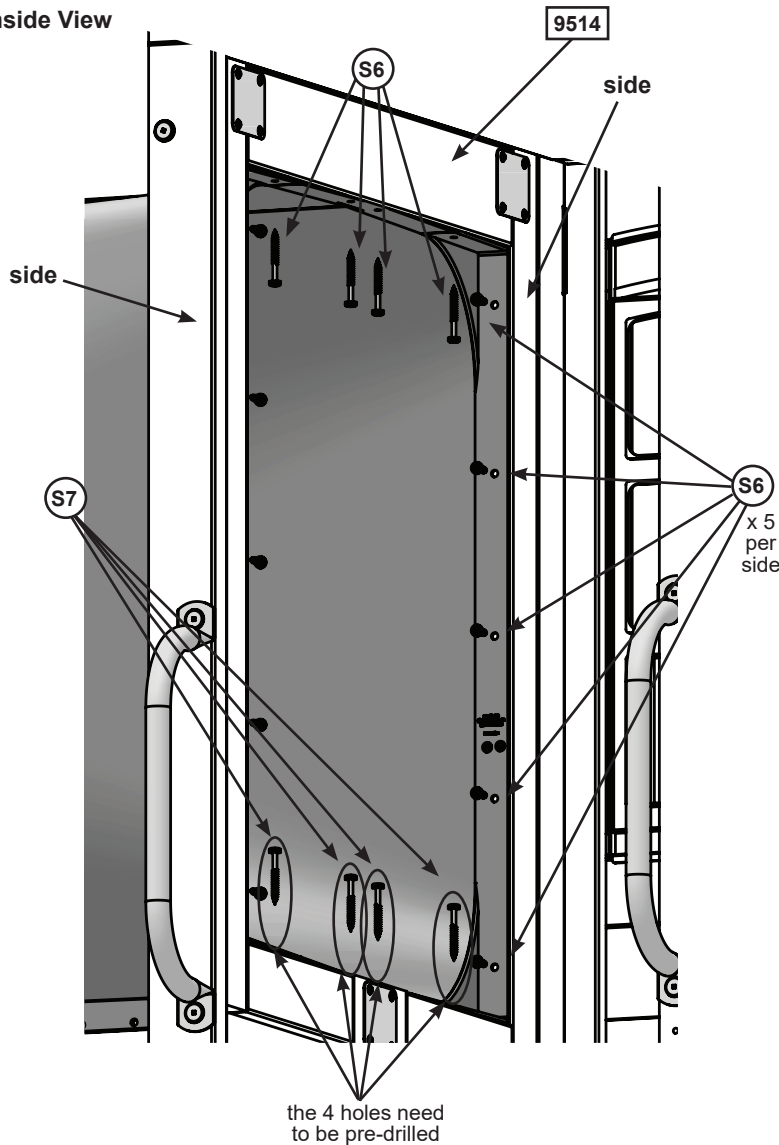
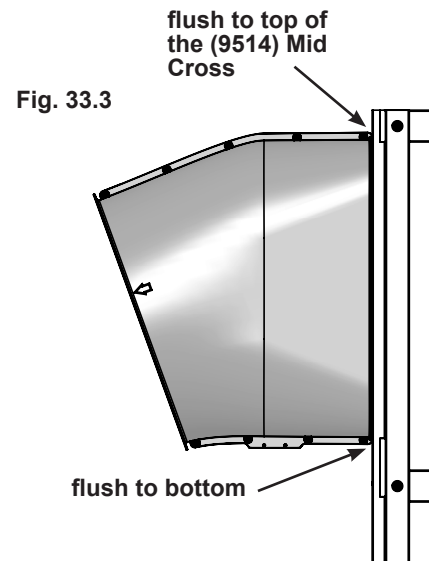
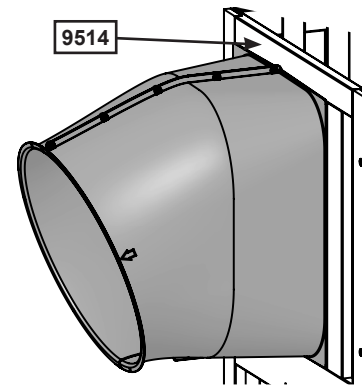


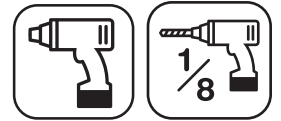
Fig. 33.2
Outside View



Hardware

- 14 x #12 x 1" Pan Screw
- 4 x #12 x 2" Pan Screw

Step 34: Attach SL Gusset



A: Place (9521) Gusset so that it's tight to (9264) Folding Panel Assembly Left A and attach to Flange Assembly with 2 (S6) #12 x 1" Pan Screws. (Fig. 34.1 & 34.2)

B: Pre-drill pilot hole with a 1/8" (3.2mm) drill bit then attach (9521) Gusset to (9264) Folding Panel Assembly Left A with 1 (WL5) 1/4 x 2-1/2" Wafer Lag (with flat washer). (Fig. 34.1 & 34.2)

Fig. 34.1

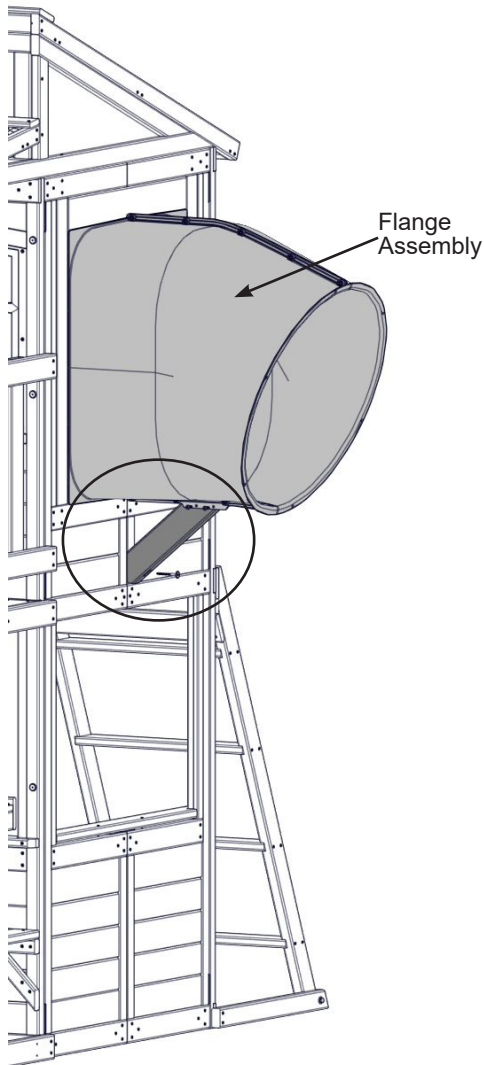
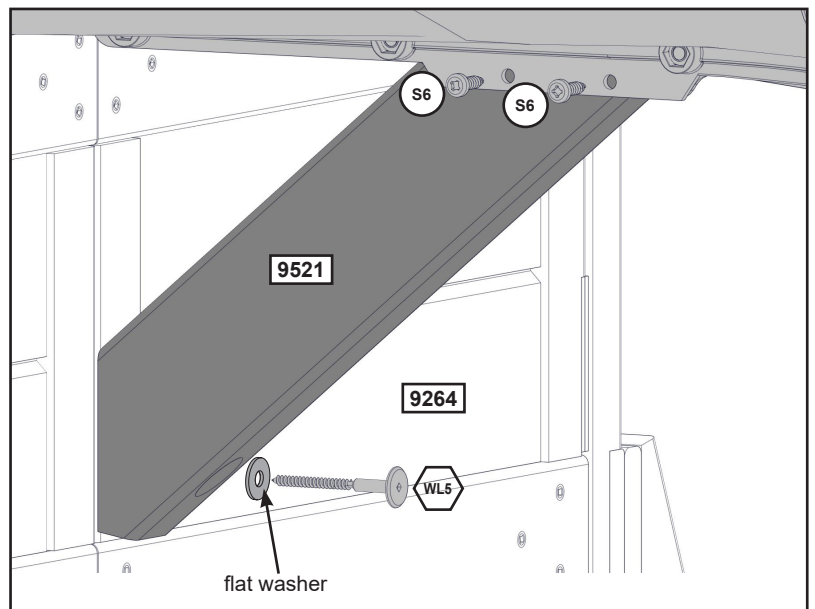


Fig. 34.2



Wood Parts

1 x Gusset 1 1/4 x 3 x 14"

Hardware

2 x #12 x 1" Pan Screws

1 x 1/4 x 2-1/2" Wafer Lag (with flat washer)

europecustomerservice@kidkraft.com
+31 20 305 8620
M-F from 09:00 to 17:30 (GMT+1)

parts.kidkraft.eu



Step 35: Attach Elbow Assembly to Flange Assembly



Note: Keep all bolts loose until further step.

A: Fit one of the Elbow Assemblies to the Flange Assembly by lining up the arrows on each assembly. Attach Elbow Assembly to Flange Assembly using 6 (PB1) $\frac{1}{4}$ x $\frac{3}{4}$ " Pan Bolts and Square Lock Nut. (fig. 35.1, 35.2 and 35.3)

B: Attach one of the Elbow assemblies to another Elbow Assembly making sure to line up the arrows on each assembly. Attach 6 ($\frac{1}{4}$ x 12.7mm) Pan Bolt with Square Lock Nut. Repeat this instruction for 2 more. (fig. 35.2 and 35.3)

Use Quadrex Driver as a guide pin for each hole before inserting bolt.

Fig. 35.1

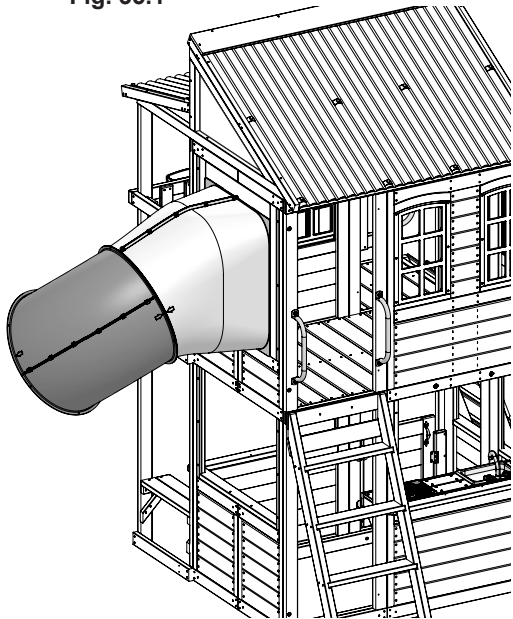
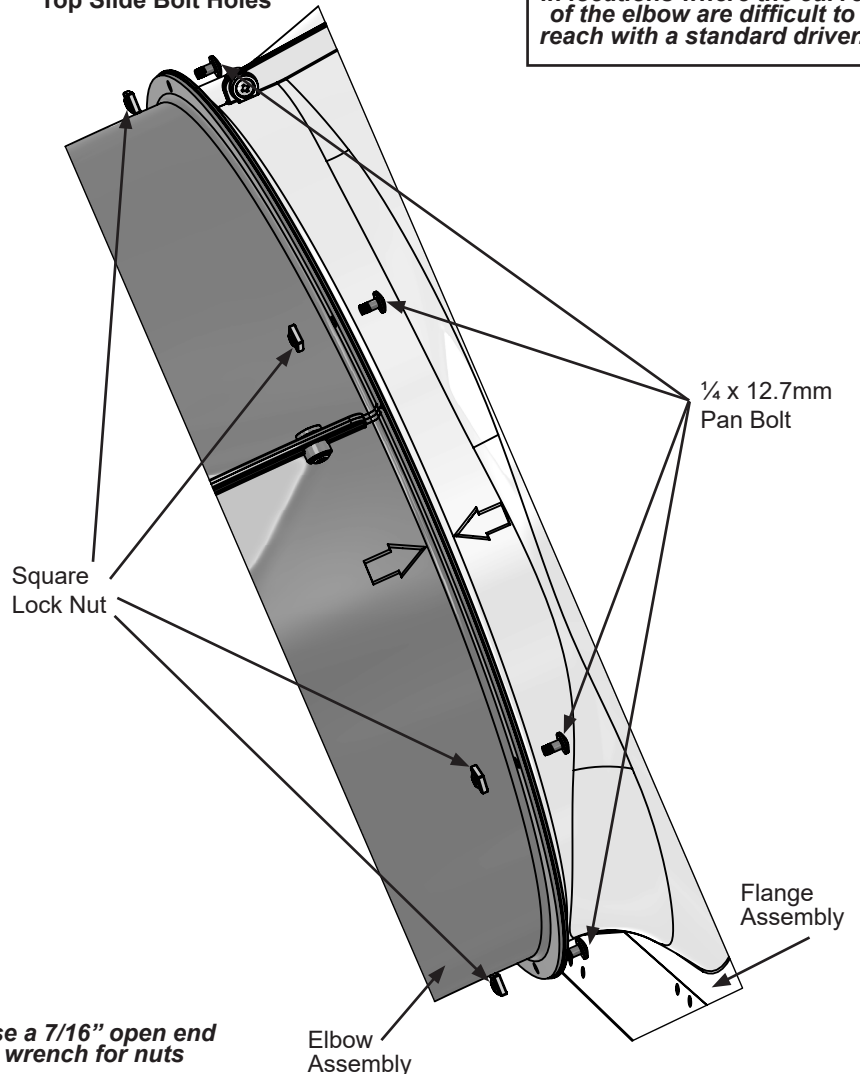


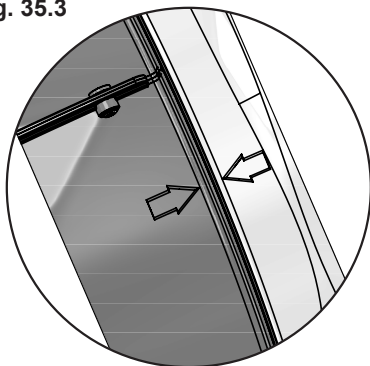
Fig. 35.2
Top Slide Bolt Holes



Quadrex Driver

Use special driver provided in locations where the curve of the elbow are difficult to reach with a standard driver.

Fig. 35.3



Align each elbow using the molded arrows.

Use a $\frac{7}{16}$ " open end wrench for nuts

Other Parts

- 1 x Quadrex Driver
- 24 x $\frac{1}{4}$ x 12.7mm Pan Bolt
- 24 x $\frac{1}{4}$ " Square Lock Nut

Step 36: Attach TNR 3 Slide Exit to Elbow Assembly

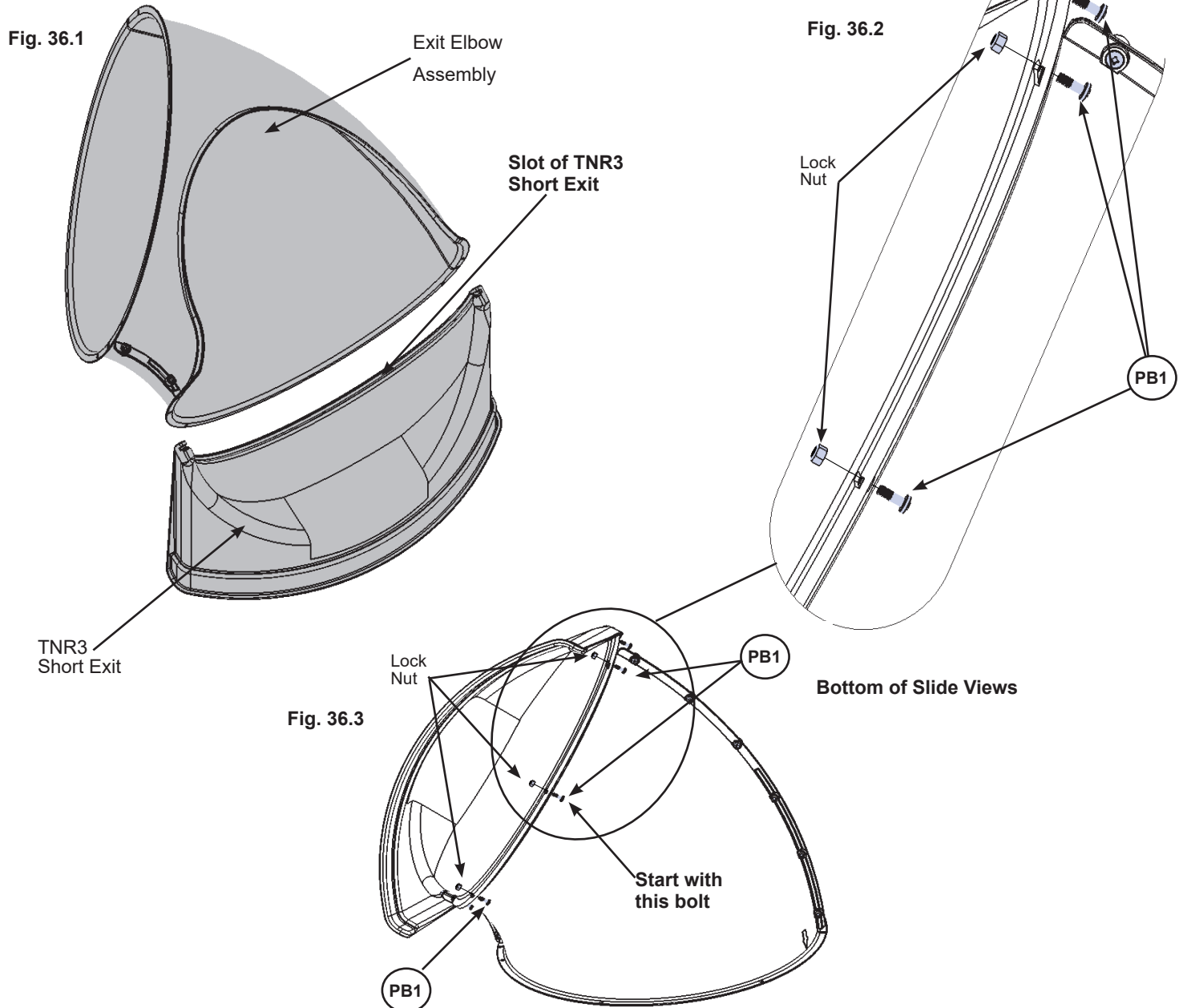


A: Insert flange of Exit Elbow Assembly (slide elbow) into the slots on TNR3 Short Exit. (fig. 36.1)


B: Rotate Slide Exit and use Quadrex Driver as a guide pin so the holes are aligned and attach with 5 (PB1) 1/4 x 3/4" Pan Bolts (with lock nuts) starting with the bottom middle hole and working up each side. (fig. 36.2 and 36.3)

C: At this point make sure all the slide bolts are tight.

Use a 7/16" open end wrench to hold nut and then tighten bolt with Quadrex Driver.



Hardware

5 x  1/4 x 3/4" Pan Bolt
(1/4" lock nut)

Other Parts

1 x TNR3 Short Exit

Step 37: Attach Exit End Assembly to Fort



A: Fit the Exit End Assembly to the last Elbow Assembly by lining up the arrows on each assembly. Notice the elbow orientation. (fig. 37.1). Attach with 6 (1/4 x 12.7)mm Pan Bolts and Square Lock Nuts. (fig. 37.2)

Fig. 37.1

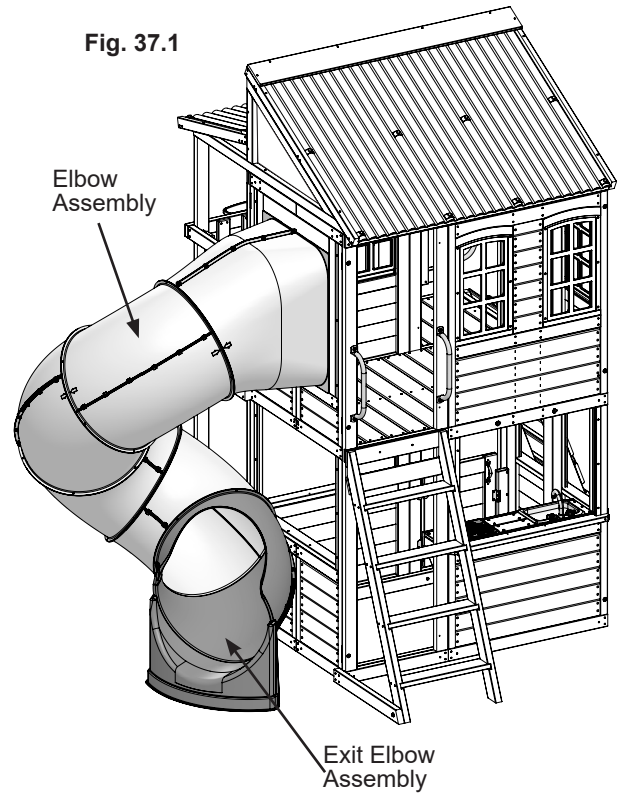
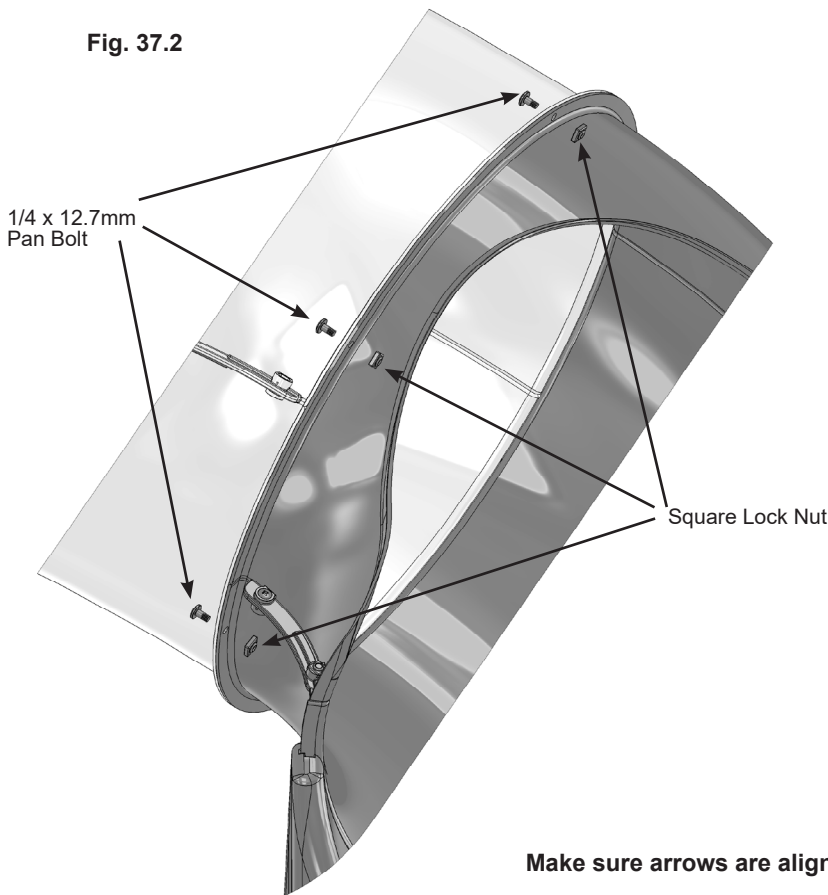


Fig. 37.2



Other Parts

- 6 x 1/4" x 12.7mm Pan Bolt
- 6 x 1/4" Square Lock Nut

Step 38: Attach TNR 4 Clamp Rings



A: Place 2 TNR4 Clamp Rings around each joint making sure to match the arrows with the end of the Clamp Ring as shown in (fig. 38.1 & 38.2).

B: Connect TNR4 Clamp Rings in 2 spots using 1 (PB6) 1/4 x 1" Pan Bolt (with lock nut) per side. (fig. 38.3)

Note: When installing Pan Bolts make sure to look at holes so bolts go through the side with the round recess and the lock nuts go through the side with the hexagonal recess.

Fig. 38.1

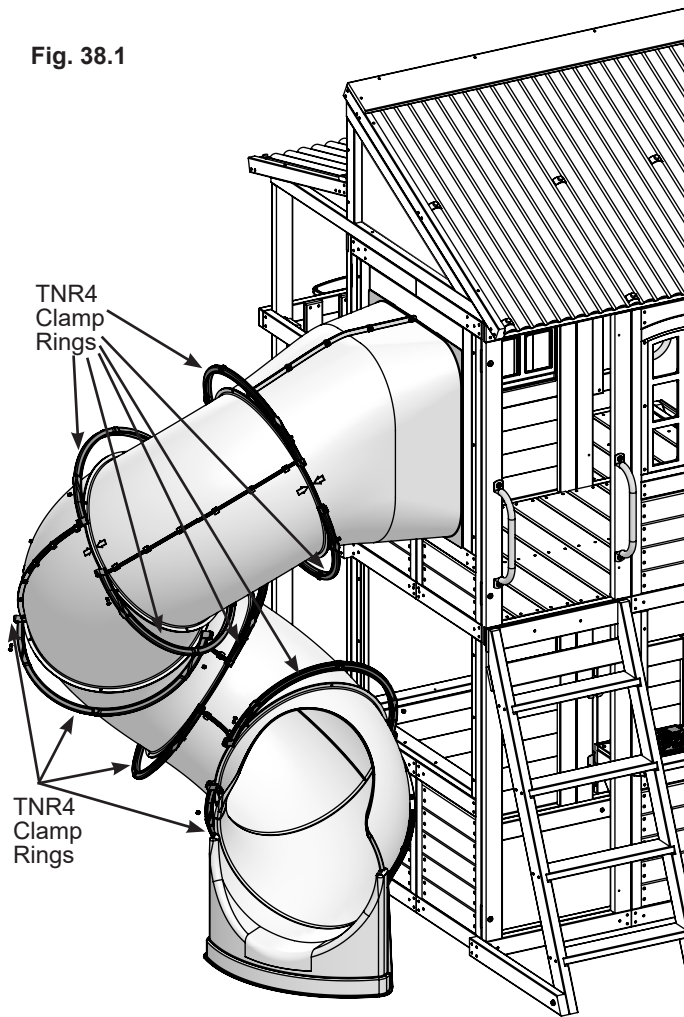
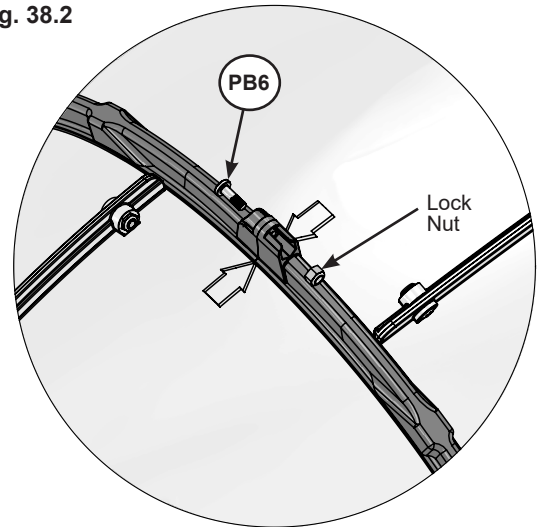
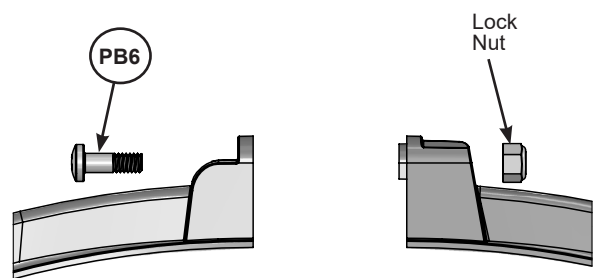


Fig. 38.2



Make sure arrows are aligned


Fig. 38.3



After the clamp rings are attached to the elbows, fasten them end to end with two pan bolts and lock nuts

Note: For ease of assembly bottom set of clamp rings can be rotated 90 degrees to install bolts.

Hardware

10 x  1/4 x 1" Pan Bolt
(1/4" lock nut)

Other Parts

10 x TNR4 Clamp Ring



Step 39: TNR Brace Assembly



A: Attach (9493) Groud Brace C to (9492) Groud Brace B with 1 (H8) 1/4 x 3-15/16" Hex Bolt (with lock washer, flat washer and t-nut) in the top hole. Make sure both boards are square then attach with 1 (S11) #8 x 2" Wood Screw. (Fig. 39.1)

B: Place TNR Brace assembly centered over pilot holes of (9491) Groud Brace A. Attach with 2 (S4) #8 x 3" Wood Screw. (fig. 39.2 & 39.3)

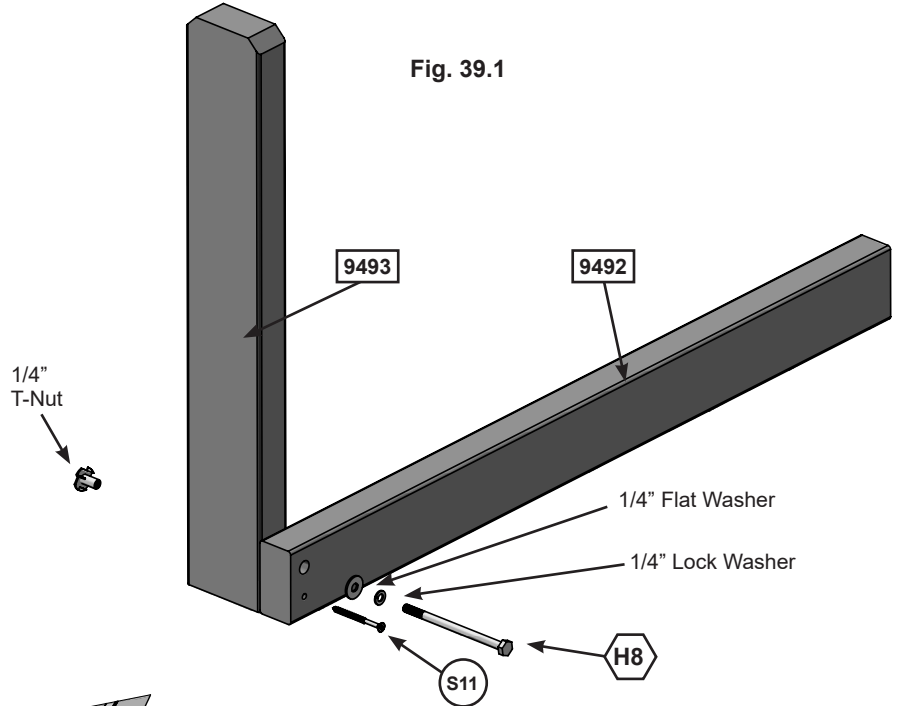


Fig. 39.1

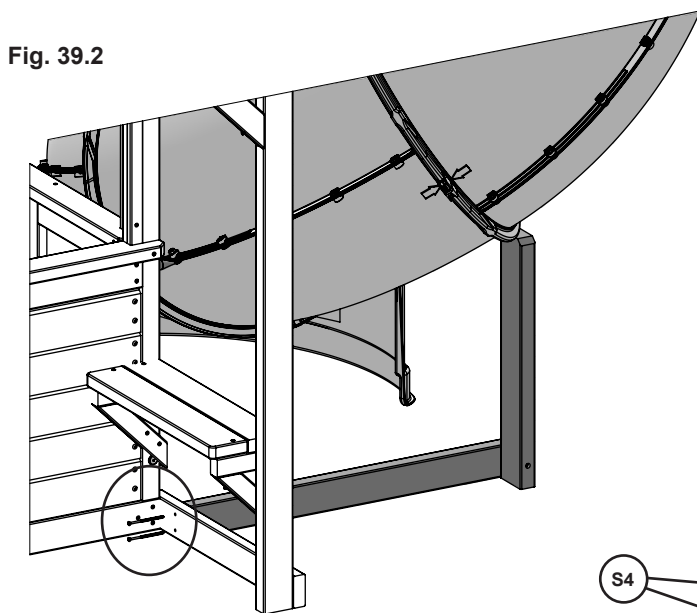


Fig. 39.2

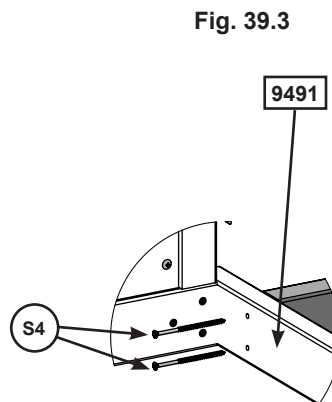


Fig. 39.3

Wood Parts

- 1 x Groud Brace C 1 1/4 x 3 x 19 7/16"
- 1 x Groud Brace B 1 x 2 1/2 x 27 9/16"

Hardware

- 1 x #8 x 2" Wood Screw
- 1 x 1/4 x 3-15/16" Hex Bolt (1/4" lock washer, 1/4" flat washer, 1/4" t-nut)
- 2 x #8 x 3" Wood Screw



parts.kidkraft.com

customerservice@kidkraft.com
1.800.933.0771
972.385.0100

Step 40: Attach Elbow Assemblies and TNR4 Slide



- A:** Place 1 TNR4 Post Mount Clamp on either side of the Clamp Ring so that the bent tops clip in behind the Clamp Ring. (fig. 40.1 & 40.2)
- B:** Insert the TNR4 Post Mount Base in between the 2 Post Mount Clamps and screw all pieces together using 1 1/4 x 14.5mm Pan Head Bolt and Square Nylock Nut. (fig. 40.2)
- C:** Attach TNR4 Post Mount Base to (9493) Groud Brace C, pre-drill with a 1/8" drill bit then attach with 2 (S6) #12 x 1" Pan Screws. (fig. 40.2)
- D:** Attach the Post Mount Clamp to the clamp ring using 1 (S37) #7 x 5/8" Pan Screw. (fig. 40.2)

Fig. 40.1

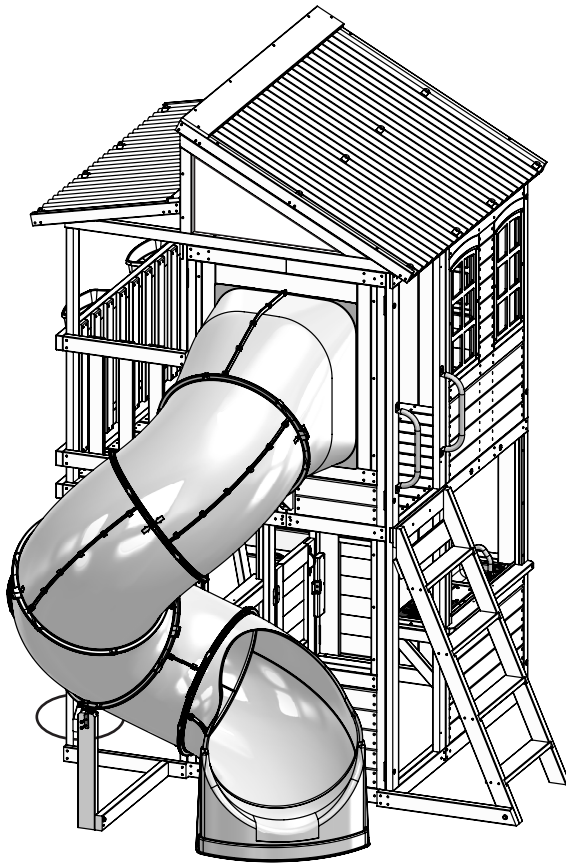
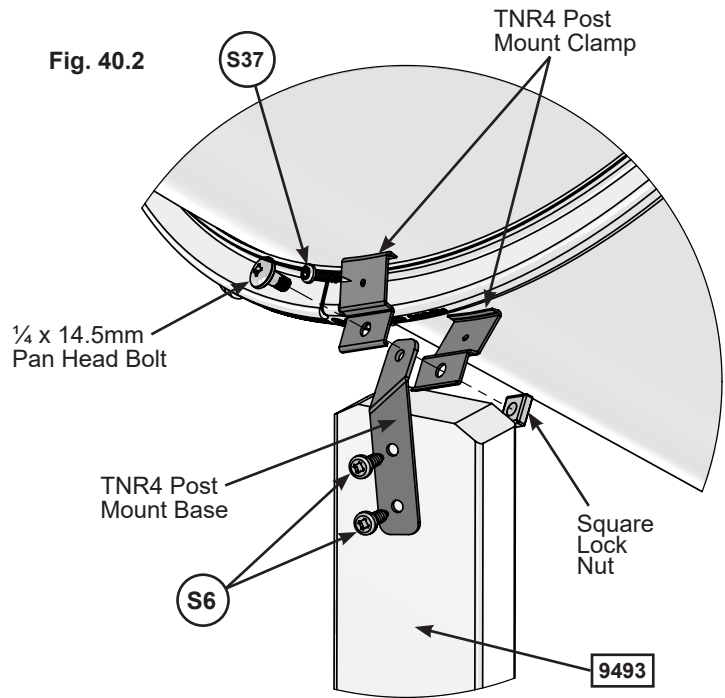


Fig. 40.2



Hardware

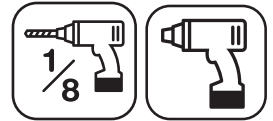
- 2 x (S6) #12 x 1" Pan Screw
- 1 x (S37) #7 x 5/8" Pan Screw

Other Parts

- 2 x TNR4 Post Mount Clamp
- 1 x TNR 4 Post Mount Base
- 1 x 1/4 x 14.5 mm Pan Head Bolt
- 1 x Square Lock Nut



Step 41: Attach TNR 3 Slide to Fort



A: On the fourth attached Elbow Assembly remove the pan bolt and nut which is facing the fort (installed in Step 32). (fig. 41.1) The bolt will no longer be needed, but keep the lock nut.

B: Loosely attach TNR3 Tube Support (at the slightly bent end) to the slide seam using 1 (PB6) 1/4 x 1" Pan Bolt (with flat washer and the previously removed lock nut). (fig. 41.2)

C: Rotate TNR3 Tube Support and attach to (9266) Folding Panel Assembly Right B using 1 (S6) #12 x 1" Pan Screw as shown in (fig. 41.2).

D: Fully tighten screw and bolt.

Fig. 41.1

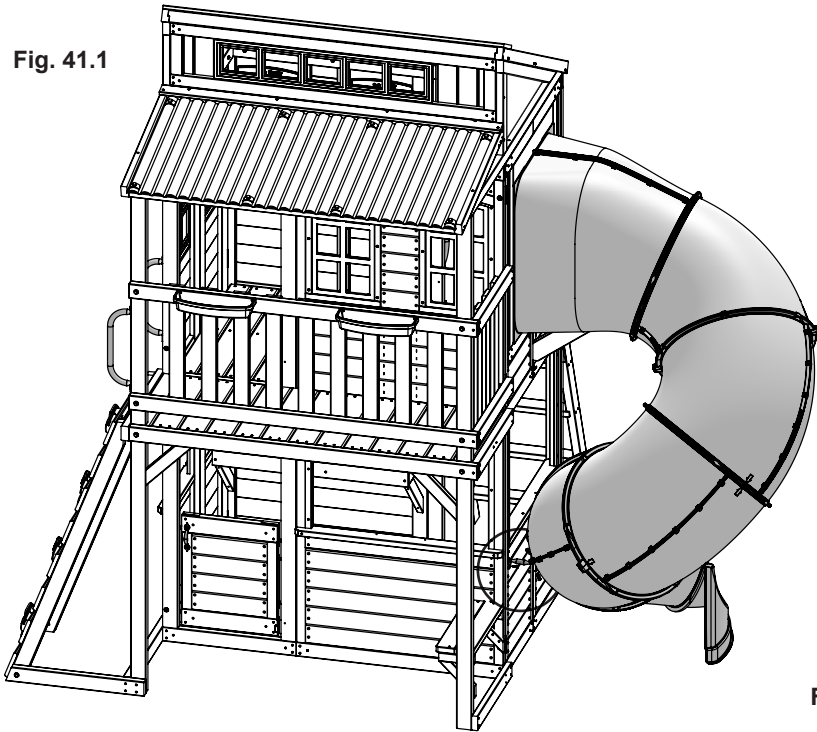
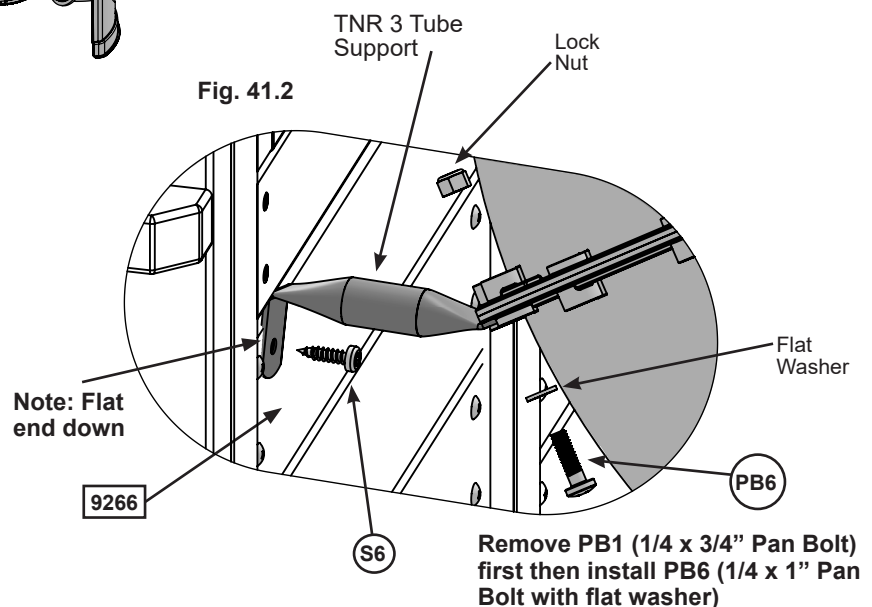


Fig. 41.2



Hardware

- 1 x #12 x 1" Pan Screw
- 1 x 1/4 x 1" Pan Bolt (1/4" flat washer & 1/4" lock nut - previously removed)

Other Parts

- 1 x TNR3 Tube Support

Step 42: Install Ground Stakes

MOVE FORT TO FINAL LOCATION PRIOR TO STAKING **FINAL LOCATION MUST BE LEVEL GROUND**

A: In the 6 places shown in fig. 41.1 drive the Rebar Ground Stakes 13" (33cm) into the ground against (9265) Folding Panel Assembly Left B, (9264) Folding Panel Assembly Left A, (9490) Ground Brace, (9491) Ground Brace A. Be careful not to hit the washer while hammering stakes into the ground as this could cause the washer to break off. (fig. 42.1 and 42.2)

B: Attach Ground Stakes using 1 (S7) #12 x 2" Pan Screw per ground stake as shown in fig. 42.3.

C: After driving stakes into the ground, check for sharp edges caused by the impact of the hammer. Smooth any sharp edges from impact area and touch up with outdoor paint.

⚠ Warning! To prevent tipping and avoid potential injury, stakes must be driven 13" (33cm) into ground. Digging or driving stakes can be dangerous if you do not check first for under-ground wiring, cables or gas lines.

Fig. 42.1

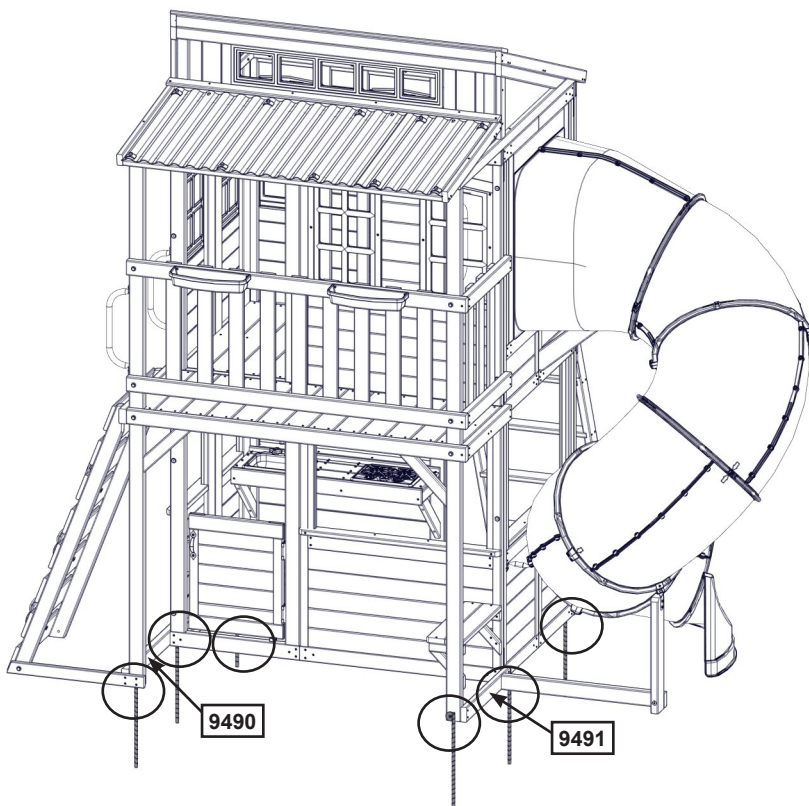
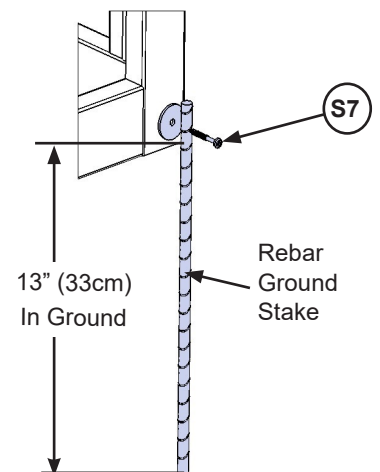


Fig. 42.2



**SEE FRONT COVER
FOR SAFETY CLEARANCE**

Hardware

6 x (S7) Pan Screw

Other Parts

6 x Rebar Ground Stake

Final Step: Attach I.D. Plaque

ATTACH THIS WARNING & I.D. PLAQUE TO THIS LOCATION ON YOUR PLAY EQUIPMENT!

This provides warnings concerning safety and important contact information. A Tracking Number is provided to allow you to get critical information or order replacement parts for this specific model.

⚠ WARNING
⚠ AVERTISSEMENT

CONTINUOUS ADULT SUPERVISION REQUIRED!

STRANGULATION HAZARDS

Never allow children to play with ropes, clotheslines, pet leashes, cables, chains or cord-like items when using this playset or to attach these items to play-set.

Never allow children to wear loose fitting clothing, ponchos, hoods, scarves, capes, necklaces, or items with draw-strings, cords or ties when using this play-set.

Never allow children to wear bike or sport helmets when using this play-set.

Failure to prohibit these items increases the risk of serious injury and death to children from entanglement and strangulation.

SERIOUS HEAD INJURY HAZARD

Maintain shock absorbing material under and around play-set as recommended in the Installation & Operating Instructions. Installation over concrete, asphalt, dirt, grass, carpet and other hard surfaces creates a risk of serious injury or death from falls to the ground.

SURVEILLANCE CONSTANTE D'ADULTES EST REQUIS!

Risques D'étranglement

Ne jamais laisser les enfants jouer avec des cordes, cordes à linge, laisses pour animaux, des câbles, des chaînes ou ces type articles pendant de l'utilisation de cet portique de jeu ou à l'attaché de ces éléments à la portique de jeu.

Ne jamais laissez les enfants de porter des vêtements amples, des ponchos, des hottes, des foulards, capes, des colliers ou des articles avec cordes attirant ou les cordons pendant l'utilisation de cet portique de jeu.

Ne jamais laissez les enfants porter un casque de vélo ou de sport quand ils utilisent ce portique de jeu.

Défaut d'interdire ces éléments augmente le risque de blessures graves et de décès des enfants de enchevêtrement et d'étranglement.

RISQUE DE BLESSURES GRAVES DU TÊTE

Maintenir le matériau absorbant les chocs sous et autour de la portique de jeu comme recommandé dans les Instructions D'installation. Installation sur béton, de l'asphalte, sol, de l'herbe, tapis et autres surfaces dure crée un risque de blessure à la tête graves ou la mort causé par tomber à la sol.

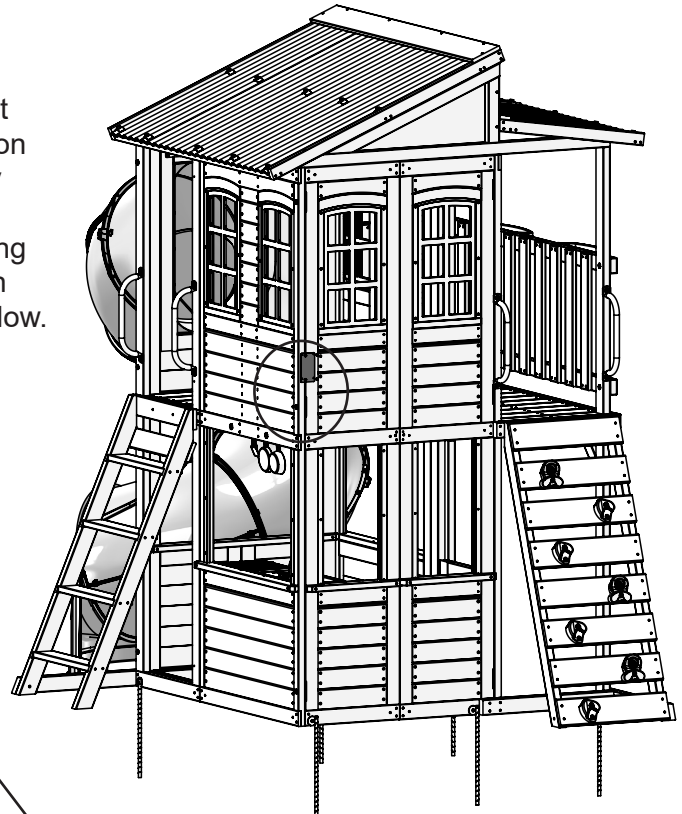
THIS PRODUCT IS INTENDED FOR USE BY CHILDREN FROM AGES 3 TO 10; weight limit of 110 lbs. per child. Maximum number of users, Installation & Operating Instructions; other information is available at:

POUR LES ENFANTS DE 3 À 10 ANS D'ÂGE; limite de 110 Livres par enfant. Nombre maximum d'utilisateurs, installation et d'utilisation; d'autres informations sont disponibles sur:

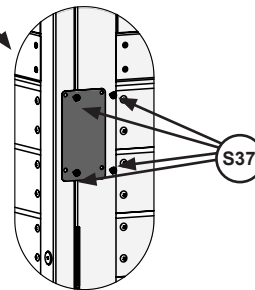
www.KidKraft.com
Contact us at: KidKraft
Dallas, TX 75244 USA
1-800-933-0771

Tracking Number:
Numéro de Suivi:

A: Attach KK Playset Plaque to a location on your set that is easily seen and read by a supervising adult using 4 (S37) #7 x 5/8" Pan Screws as shown below.



KK Playset Plaque



Hardware

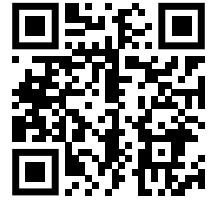
4 x **(S37)** #7 x 5/8" Pan Screw

Other Parts

1 x KK Playset Plaque

3 EASY WAYS TO REGISTER YOUR PRODUCT 24/7

- 1) Scan this QR Code with your smart phone to complete your product registration directly from your phone:
- 2) Complete the registration online at: https://www.kidkraft.com/us_en/warranty/
- 3) Mail this completed form to: KidKraft Inc., 4630 Olin Road, Dallas, Tx 75244 USA
Make sure to include a copy of your proof of purchase



KIDKRAFT Consumer Registration Card

First Name Initial Last Name

Street Apt. No.

City State/Province ZIP/Postal Code

Country Telephone Number

E-Mail Address

Model Number Model Name

Model Number & Name example
F24145 AINSLEY PLAY SYSTEM

Purchased From Date Purchase

MM / DD / YY

Serial Number (on ID Plaque)



ID Plaque example

Box #: _____ 1 of _____ Box #: _____ 4 of _____

Box #: _____ 2 of _____ Box #: _____ 5 of _____

Box #: _____ 3 of _____ Box #: _____ 6 of _____

Box # (Ex: B29410 1 of 6)

1 OF **6**
DE

ITEM #
ARTICLE N°
B29410

For common questions or for information on ordering replacement parts:

Help Center: <https://kidkraft.zendesk.com/hc/en-us/>

