

# Step 5: Door Assembly Part 2

**E:** Install 1 Door Bumper using 1 (S0) #8 x 7/8" Truss Screw. (Fig. 5.4)

**F:** In the opening for the door put Dutch Door Assembly in place, measuring to ensure that it is 5/8" (15.9mm) up from the bottom frame (fig. 5.5). Attach hinges to the Wall Frame using 3 (S37) #7 x 5/8" Pan Screws per hinge as shown in fig. 5.6 and 5.5.

Fig. 5.4

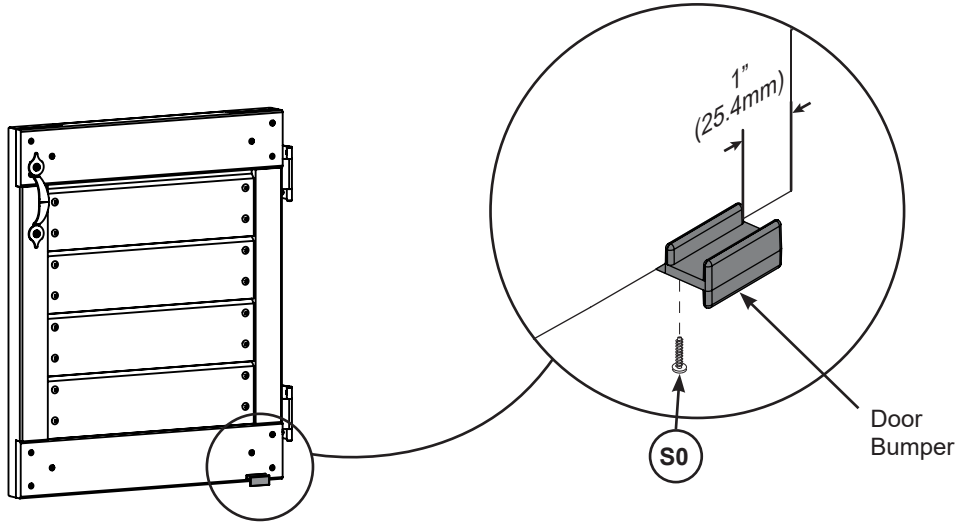


Fig. 5.5

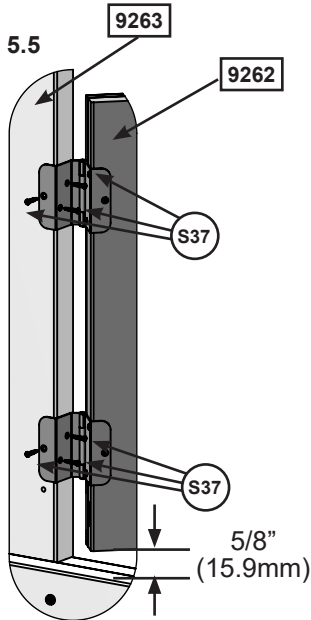
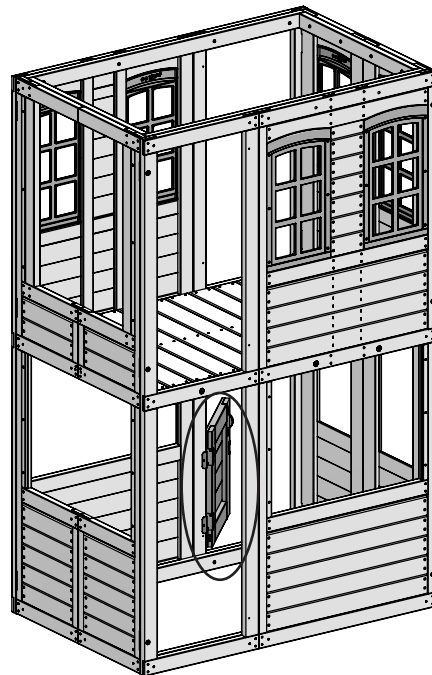


Fig. 5.6



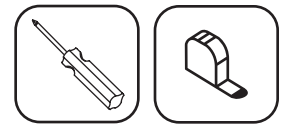
### Hardware

- 1 x (S0) #8 x 7/8" Truss Screw
- 6 x (S37) #7 x 5/8" Pan Screw

### Other Parts

- 1x Door Bumper

# Step 5: Door Assembly Part 3



**G:** In the notched out opening of (9513) Door Stop attach the Magnetic Catch using 2 (S38) #7 x 1-1/8" Pan Screws. (fig. 5.7)

**Important:** Use a hand held screw driver and **DO NOT** over tighten.

**H:** On the inside of the assembly, attach (1913) Door Stop to (9263) Folding Panel Assembly Right A with 2 (S11) #8 x 2" Wood Screws, making sure (1913) Door Stop overhangs by 1-1/4" (32mm) and is in position to receive the Catch Plate. (fig. 5.8 , 5.9)

Fig. 5.7

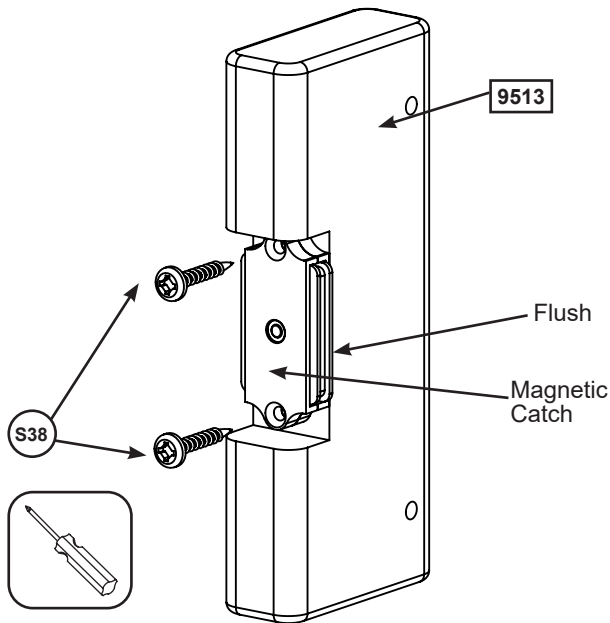


Fig. 5.8

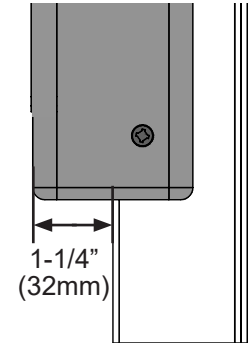
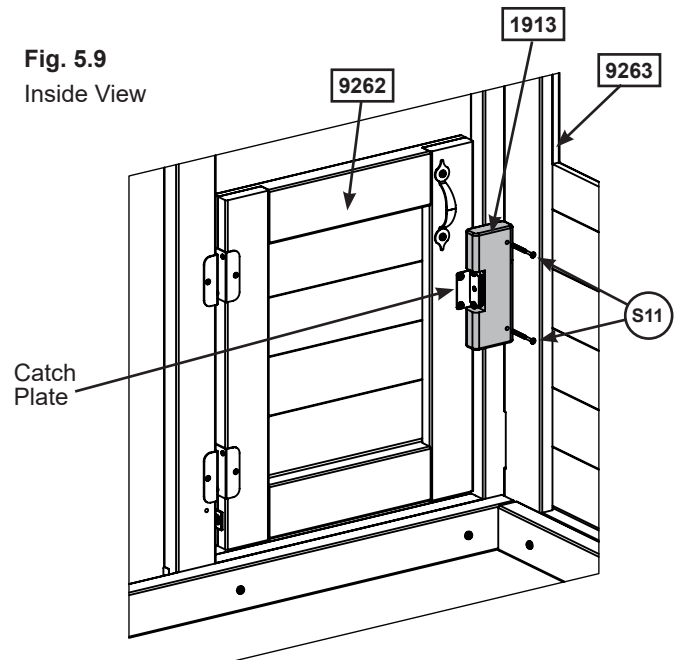


Fig. 5.9  
Inside View



### Wood Parts

1 x 9513 Door Stop 7/8 x 2 1/2 x 4 15/16"

### Hardware

2 x S11 #8 x 2" Wood Screw

2 x S38 #7 x 1-1/8" Pan Screw

### Other Parts

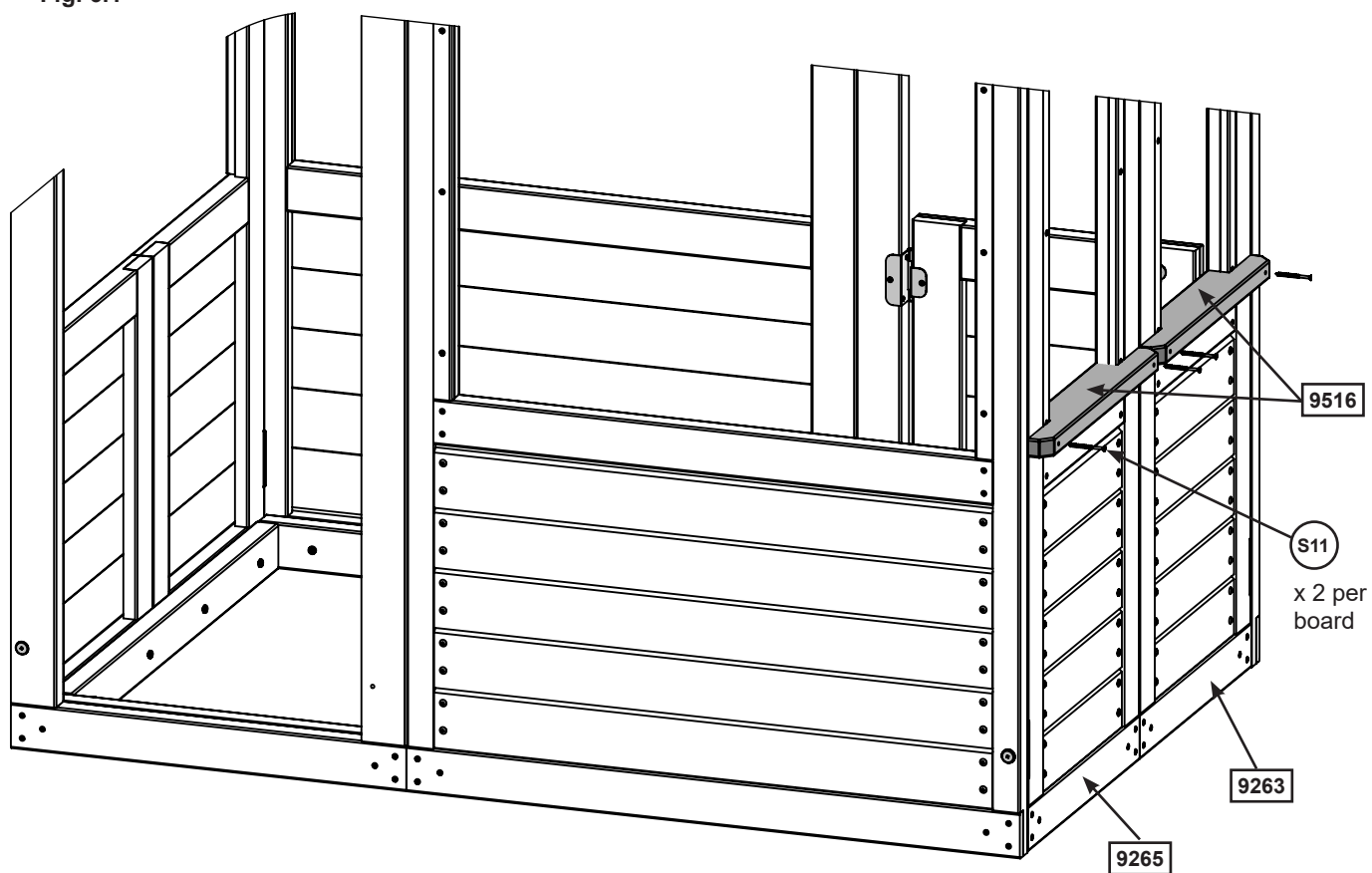
1 x Magnetic Catch



## Step 6: Attach Wall Tops Part 1

**A:** From outside of the assembly, place 1 (9516) Table Top Short in the narrow openings of (9263) Folding Panel Assembly Right A and (9265) Folding Panel Assembly Left B. Attach with 2 (S11) #8 x 2" Wood Screws per board. (fig 6.1)

Fig. 6.1



### Wood Parts

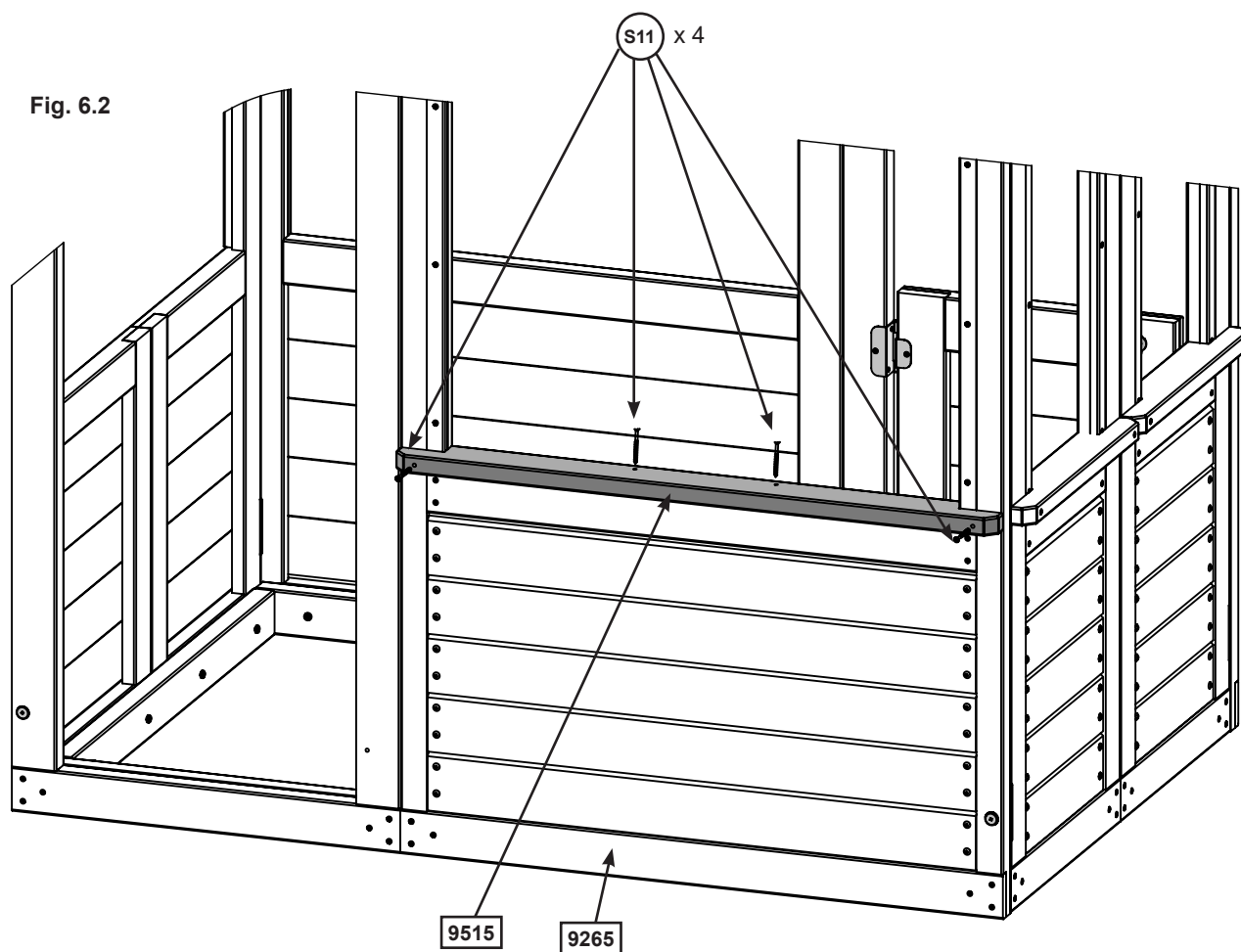
2 x 9516 Table Top Short 7/8 x 2 1/2 x 16 15/16"

### Hardware

4 x S11 #8 x 2" Wood Screw

## Step 6: Attach Wall Tops Part 2

**B:** Place (9515) Table Top into the opening on the back of (9265) Folding Panel Assembly Left B and attach using 4 (S11) #8 x 2" Wood Screws. (fig. 6.2)



### Wood Parts

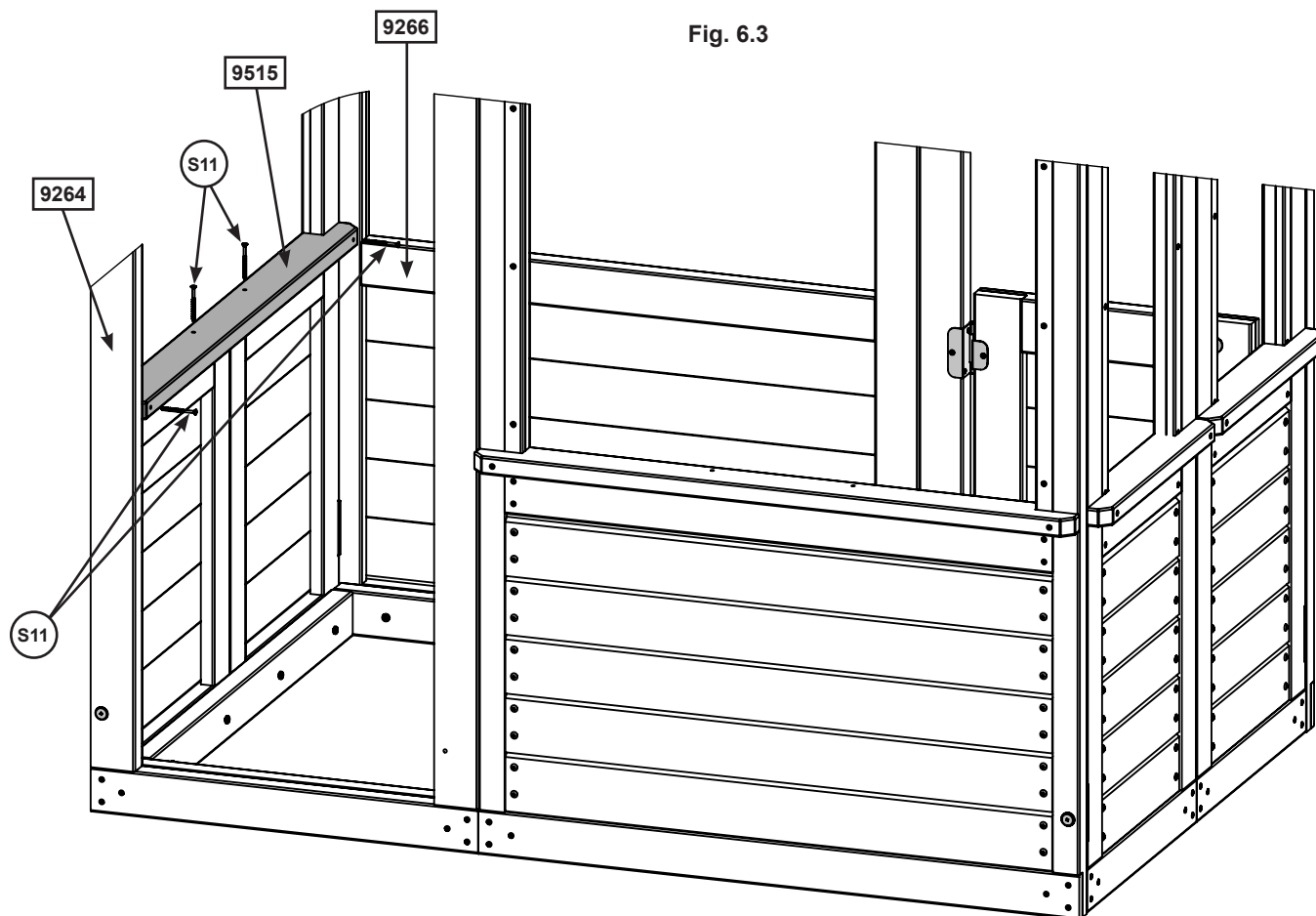
1 x 9515 Table Top 7/8 x 2 1/2 x 34"

### Hardware

4 x S11 #8 x 2" Wood Screw

## Step 6: Attach Wall Tops Part 3

C: From inside the assembly, place 1 (9515) Table Top into the end wall opening of (9264) Folding Panel Assembly Left A and (9266) Folding Panel Assembly Right B. Attach using 4 (S11) #8 x 2" Wood Screws as shown in fig. 6.3.



### Wood Parts

1 x 9515 Table Top 7/8 x 2 1/2 x 34"

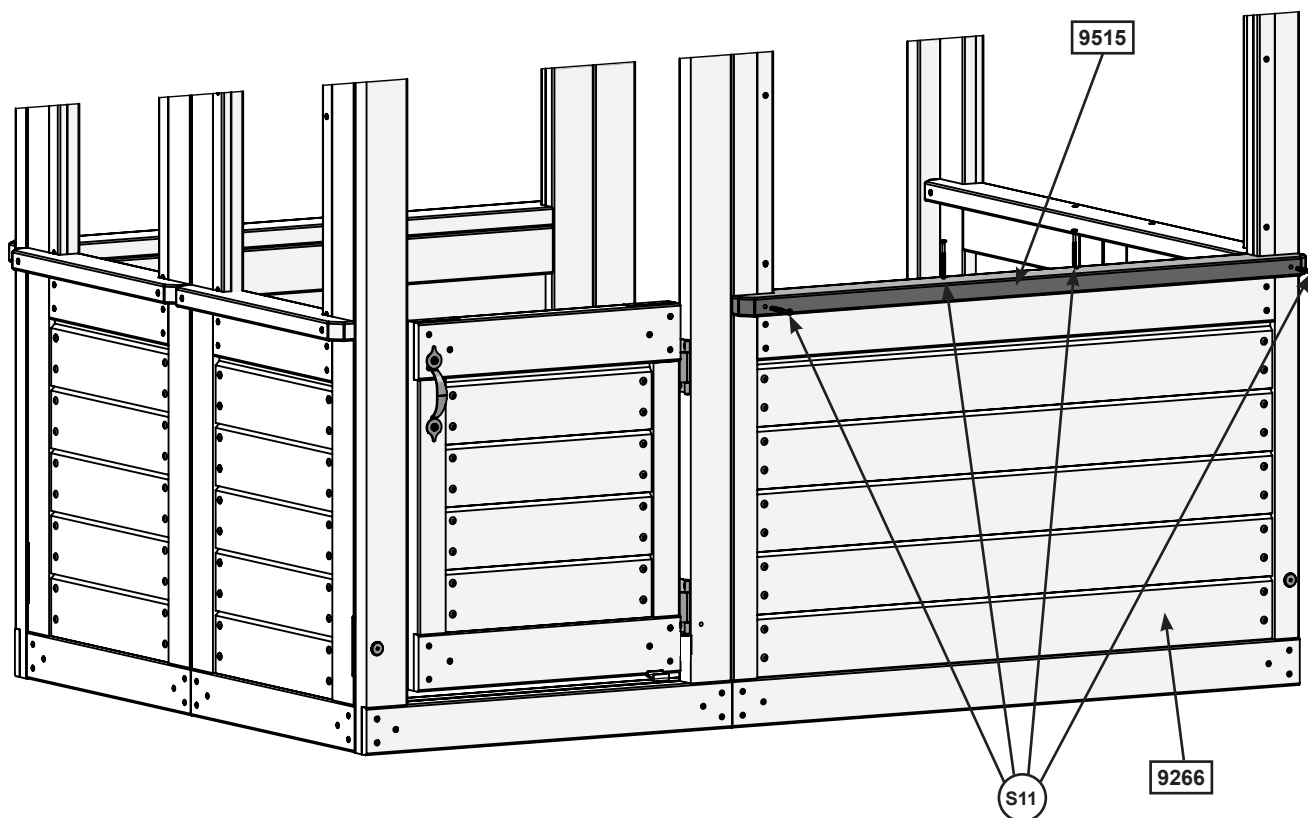
### Hardware

4 x S11 #8 x 2" Wood Screw

## Step 6: Attach Wall Tops Part 4

D: From outside of the assembly, place 1 (9515) Table Top into the front opening of (9266) Folding Panel Assembly Right B. Attach using 4 (S11) #8 x 2" Wood Screws fig. 6.4.

Fig. 6.4



### Wood Parts

1 x **9515** Table Top 7/8 x 2 1/2 x 34"

### Hardware

4 x **S11** #8 x 2" Wood Screw

# Step 7: Counter Assembly

## Part 1



**A:** Flush to each end and to the bottom of (9473) Counter Back attach 1 (9471) Counter Joist per end with 1 (S20) #8 x 1-3/8" Wood Screw per joist. Notice the holes at the top of (9473) Counter Back. (fig. 7.1 & 7.2)

**B:** Place the remaining 2 (9471) Counter Joists centered over the pilot holes in the middle of (7613) Counter Back and flush to the bottom of the board. Attach in the bottom holes using 1 (S20) #8 x 1-3/8" Wood Screw per joist. (fig. 7.1 & 7.2).

**C:** Place (9472) Counter Front against (9471) Counter Joists so the ends are flush and the (9471) Counter Joists are centered over the pilot holes. Measure 5/8" (16mm) down from the top of (9472) Counter Front on both ends and attach to the (9471) Counter Joists with 4 (S20) #8 x 1-3/8" Wood Screws. (fig. 7.1 & 7.2)

Fig. 7.1

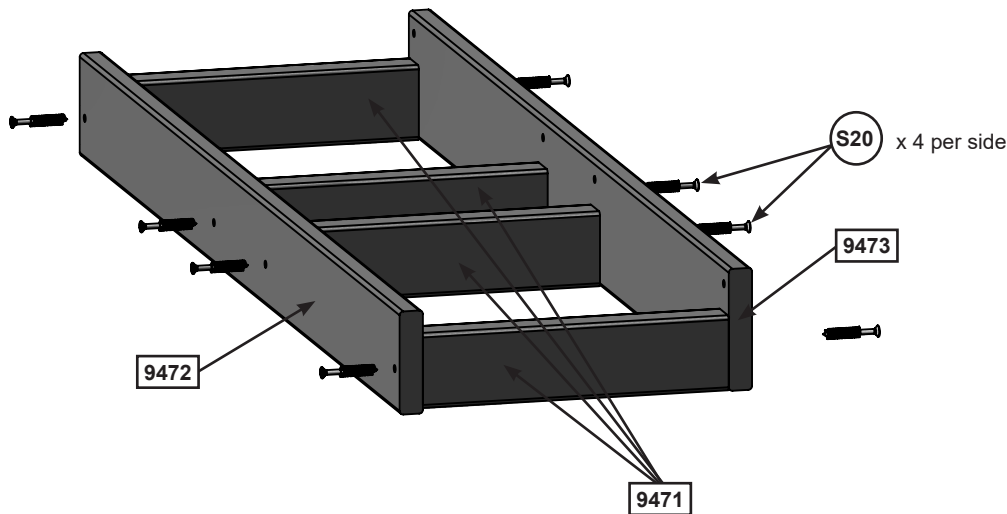
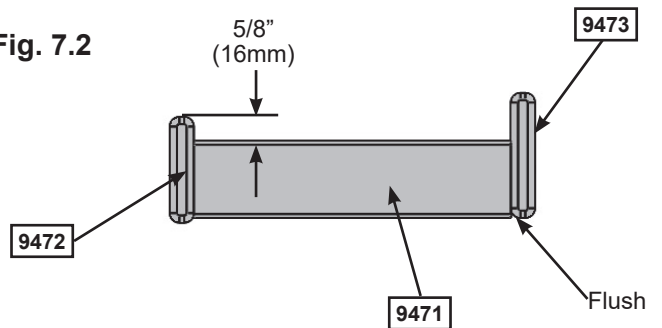


Fig. 7.2



### Wood Parts

- 4 x 9471 Counter Joist 1 x 2 x 8 1/4"
- 1 x 9472 Counter Front 9/16 x 2 3/4 x 32 3/16"
- 1 x 9473 Counter Back 9/16 x 3 1/4 x 32 3/16"

### Hardware

- 8 x S20 #8 x 1-3/8" Wood Screw

# Step 7: Counter Assembly

## Part 2

D: Place 1 (9470) Counter Brace tight to the bottom of each outside (9471) Counter Joist, tight to (9472) Counter Front and attach using 1 (S3) #8 x 2-1/2" Wood Screw per brace. ( fig 7.3 & 7.4 & 7.5)

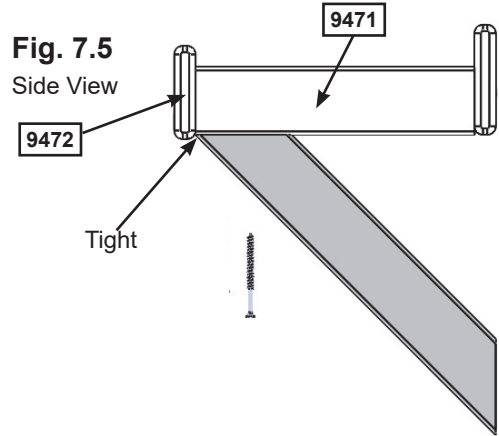


Fig. 7.3

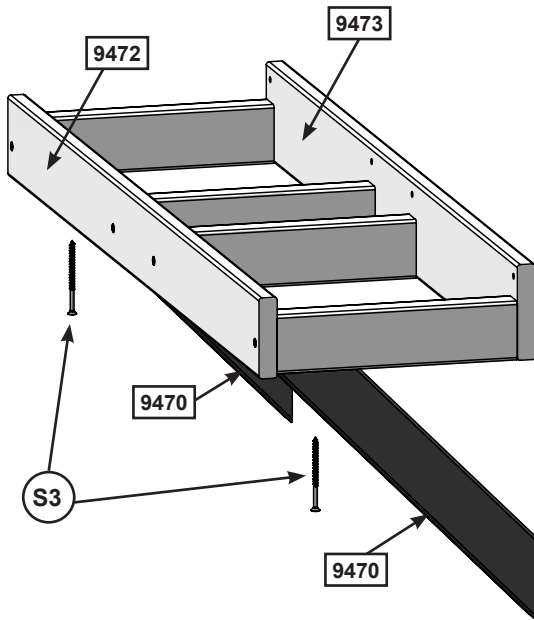
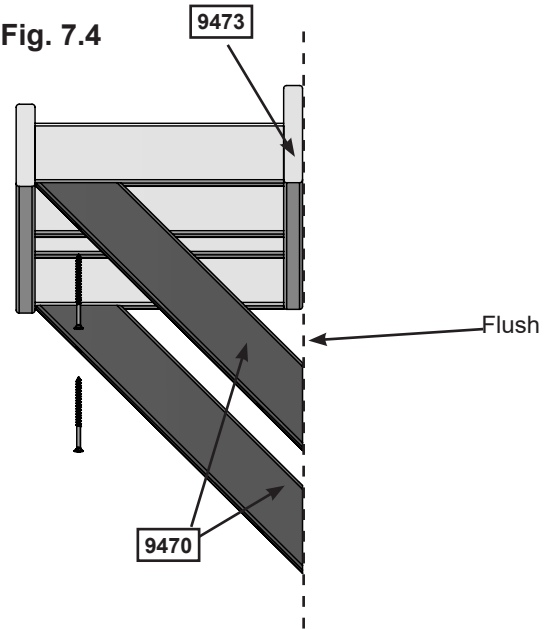


Fig. 7.4



### Wood Parts

2 x 9470 Counter Brace 1 x 2 x 12 1/2"

### Hardware

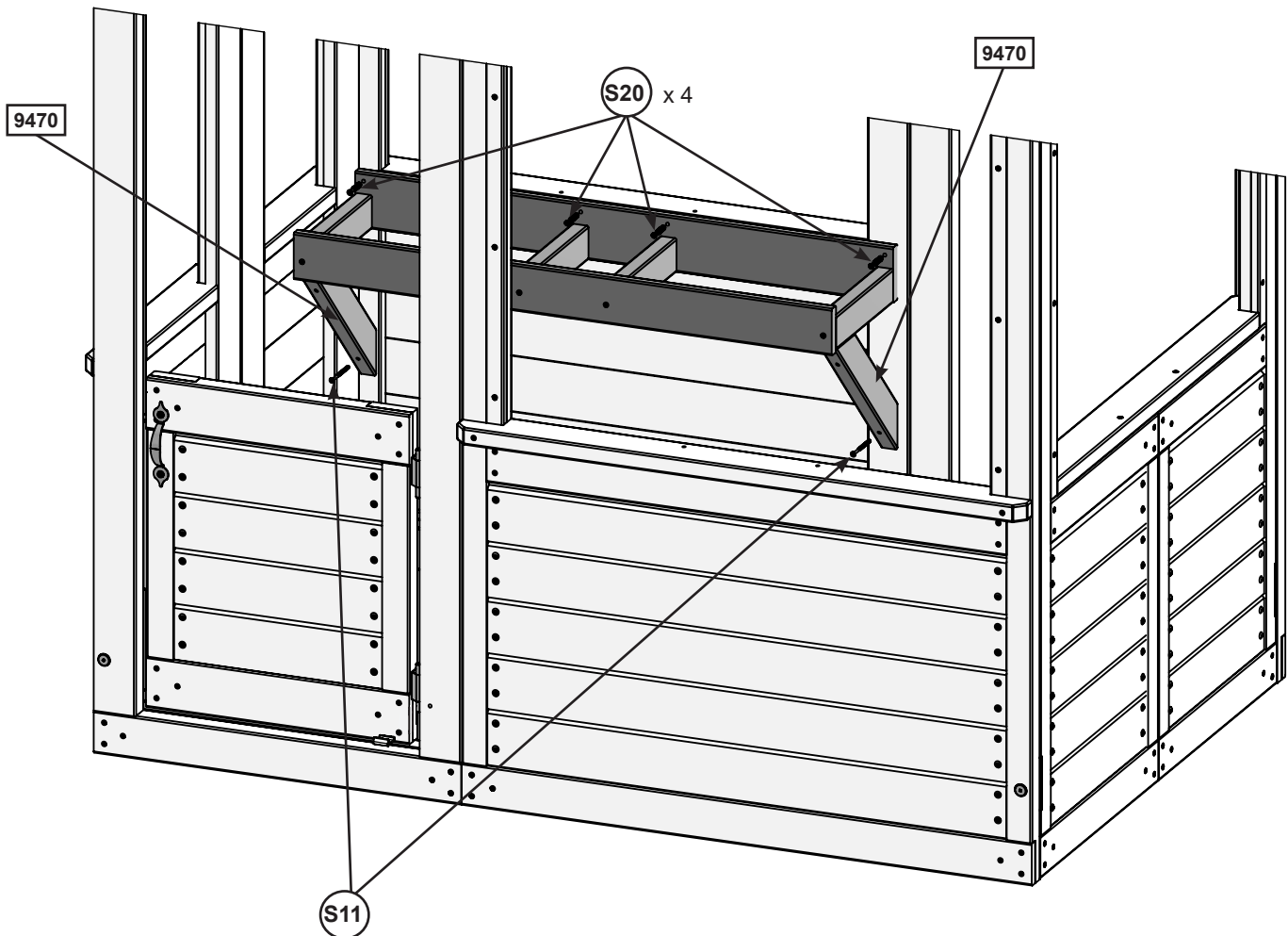
2 x S3 #8 x 2-1/2" Wood Screw




## Step 8: Attach Counter Assembly Part 1


- A:** On the inside of the assembly place Counter Assembly against the Cafe Wall flush to the opening. (fig 8.1)
- B:** Attach (9473) Counter Back to Cafe Wall with 4 (S20) #8 x 1-3/8" Wood Screws. (fig 8.1)
- C:** Attach both (9470) Counter Braces to Cafe Wall with 1 (S11) #8 x 2" Wood Screw per brace. (fig 8.1)

Fig. 8.1



### Hardware

4 x  #8 x 1-3/8" Wood Screw

2 x  #8 x 2" Wood Screw

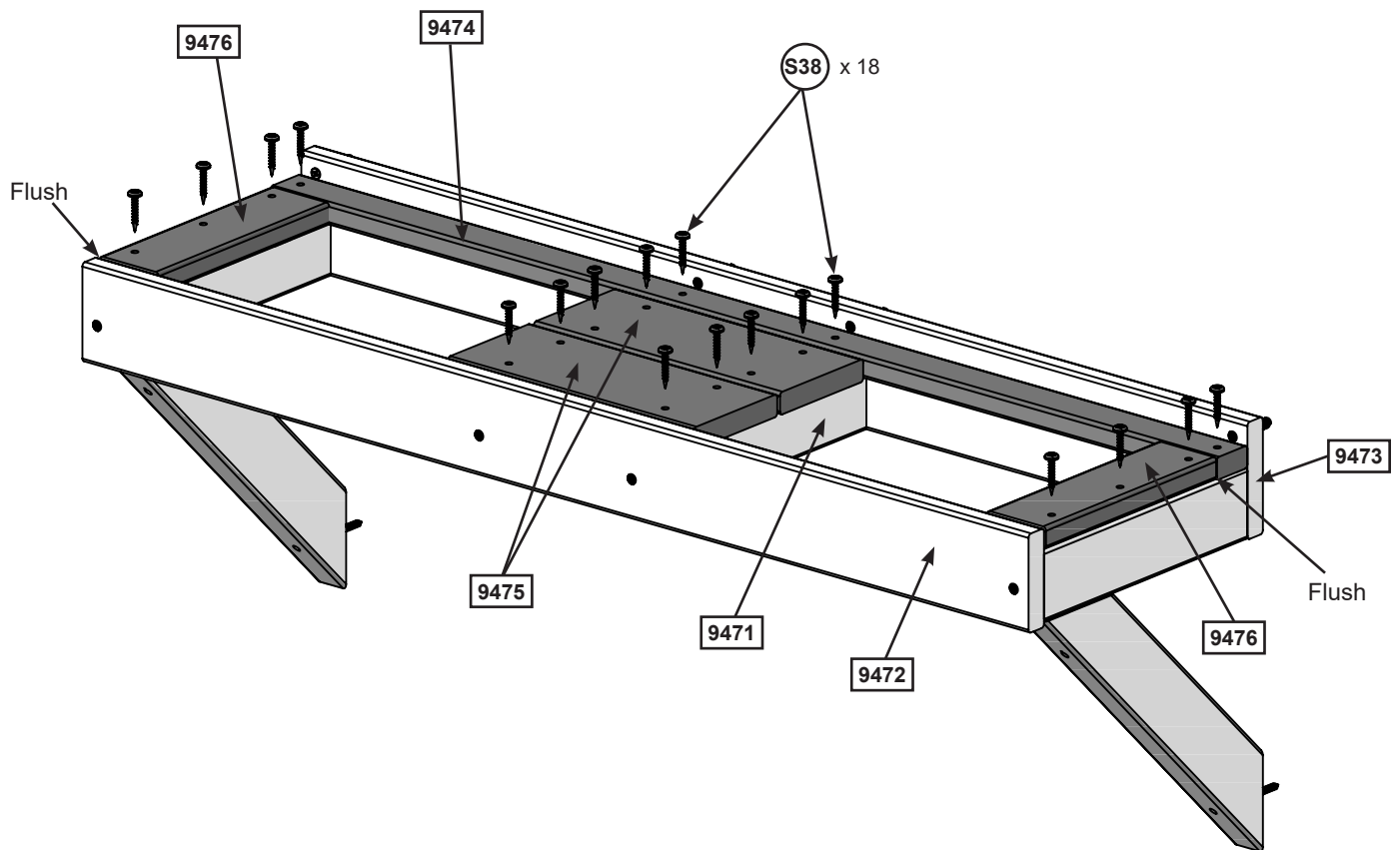
## Step 8: Attach Counter Assembly Part 2

**D:** Tight to (9473) Counter Back attach (9474) Counter Top to each (9471) Counter Joist with 4 (S38) #7 x 1-1/8" Pan Screws. (fig. 8.2)

**E:** Tight to (9474) Counter Top and flush to the outside edges of the outer (9471) Counter Joists attach 1 (9476) Counter Side per joist with 3 (S38) #7 x 1-1/8" Pan Screws per board. (fig. 8.2)

**F:** Tight to (9474) Counter Top and centered over the middle 2 (9471) Counter Joists with ends flush to the outside edges, attach 2 (9475) Counter Mid Tops with 4 (S38) #7 x 1-1/8" Pan Screws per board. (fig. 8.2)

Fig. 8.2



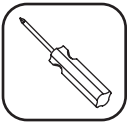
### Wood Parts

- 1 x 9474 Counter Top 9/16 x 1 1/4 x 32 3/16"
- 2 x 9475 Counter Mid Top 9/16 x 3 7/16 x 8 3/8"
- 2 x 9476 Counter Side 9/16 x 2 x 6 15/16"

### Hardware

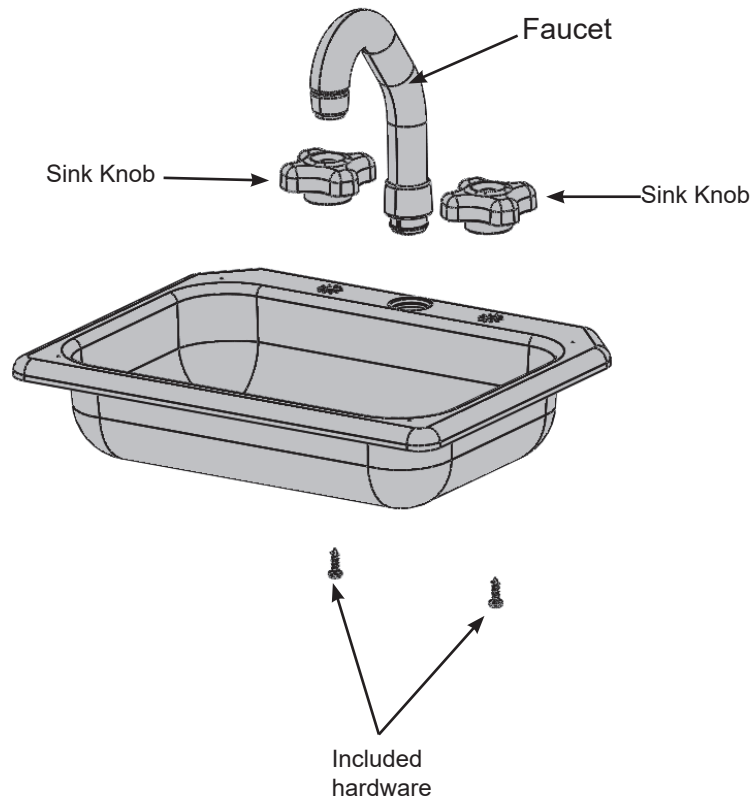
- 18 x (S38) #7 x 1-1/8" Pan Screw

# Step 8: Attach Counter Assembly Part 3



**G:** Place Faucet and 2 Sink Knobs in opening of Sink and attach Sink Knobs with included hardware. (fig. 8.3)  
**Important:** Use a hand held screw driver and **DO NOT** over tighten.

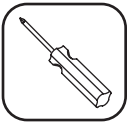
**Fig. 8.3**



**Other Parts**

- 1 x Sink
- 2 x Sink Knobs
- 1 x Faucet

# Step 8: Attach Counter Assembly Part 4



**H:** Place Sink and Stove in the openings of the Counter Assembly then attach 4 Mount Clips with included hardware to the bottom of the Sink and Stove to secure in place. (fig. 8.4 and 8.5)

**Important:** Use a hand held screw driver and **DO NOT** over tighten.

Note: To remove the Sink or Stove loosen screw 1/4 turn then twist Mount Clips

Fig. 8.4

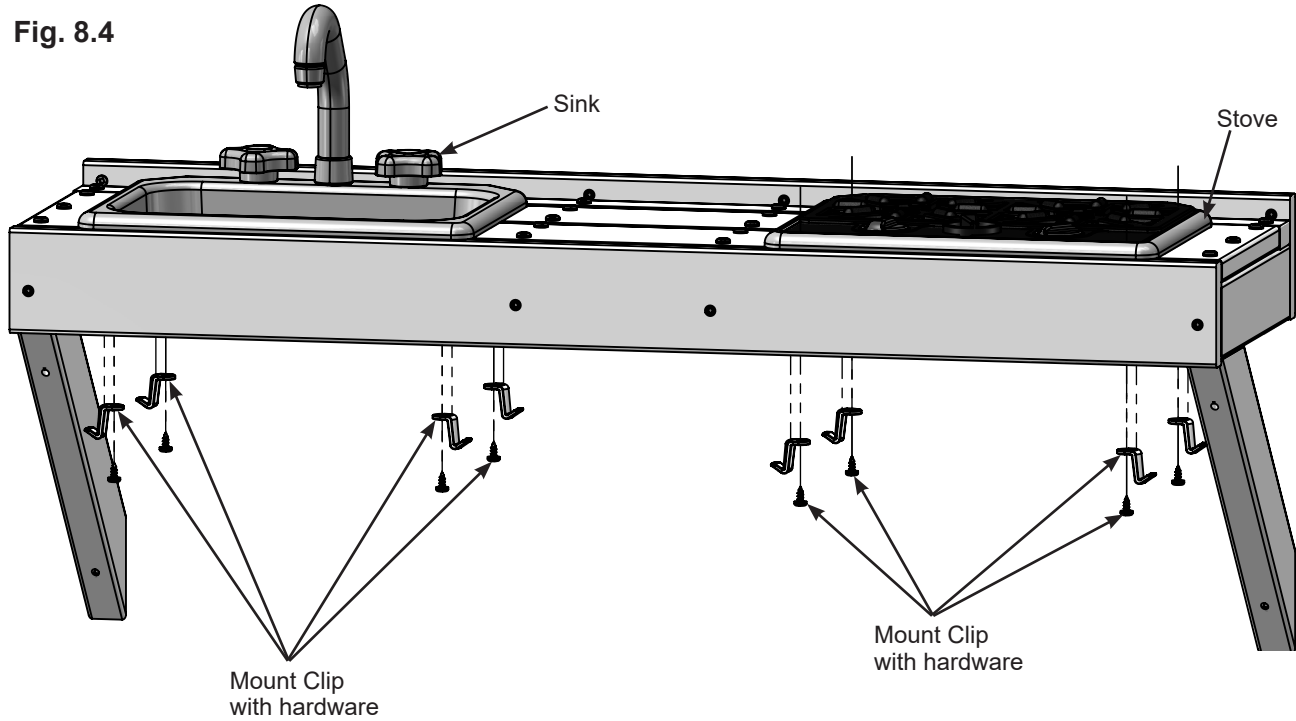
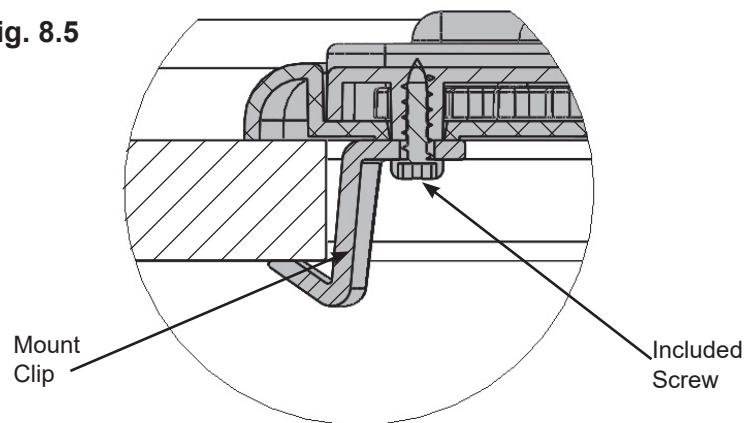


Fig. 8.5



### Other Parts

1 x Stove  
8 x Mount Clip



## Step 9: Attach Utensil Shelf

**A:** From inside the assembly attach 1 Utensil Shelf with 2 (S0) #8 x 7/8" Truss Screws as shown in fig. 9.1 & 9.2.

**B:** Attach the Pot, Pan and Spatula to Utensil Shelf. (fig. 9.2)

Fig. 9.1

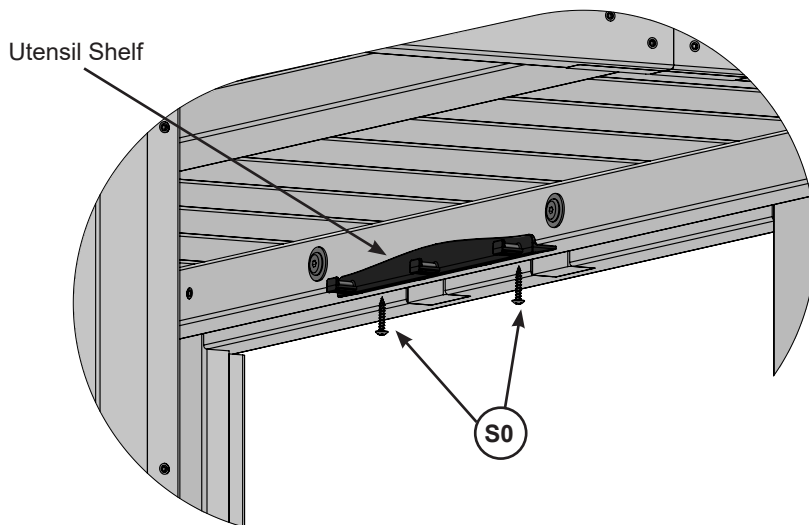
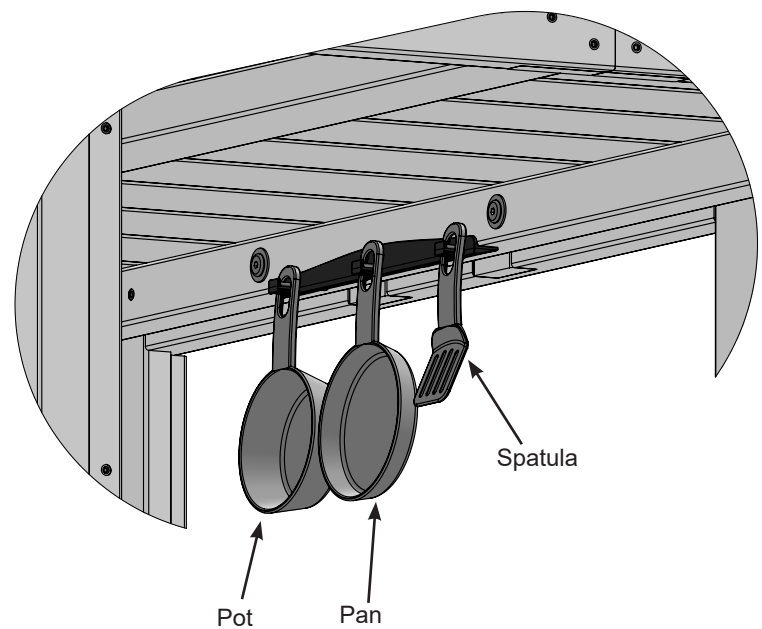


Fig. 9.2



### Hardware

2 x (S0) #8 x 7/8" Truss Screw

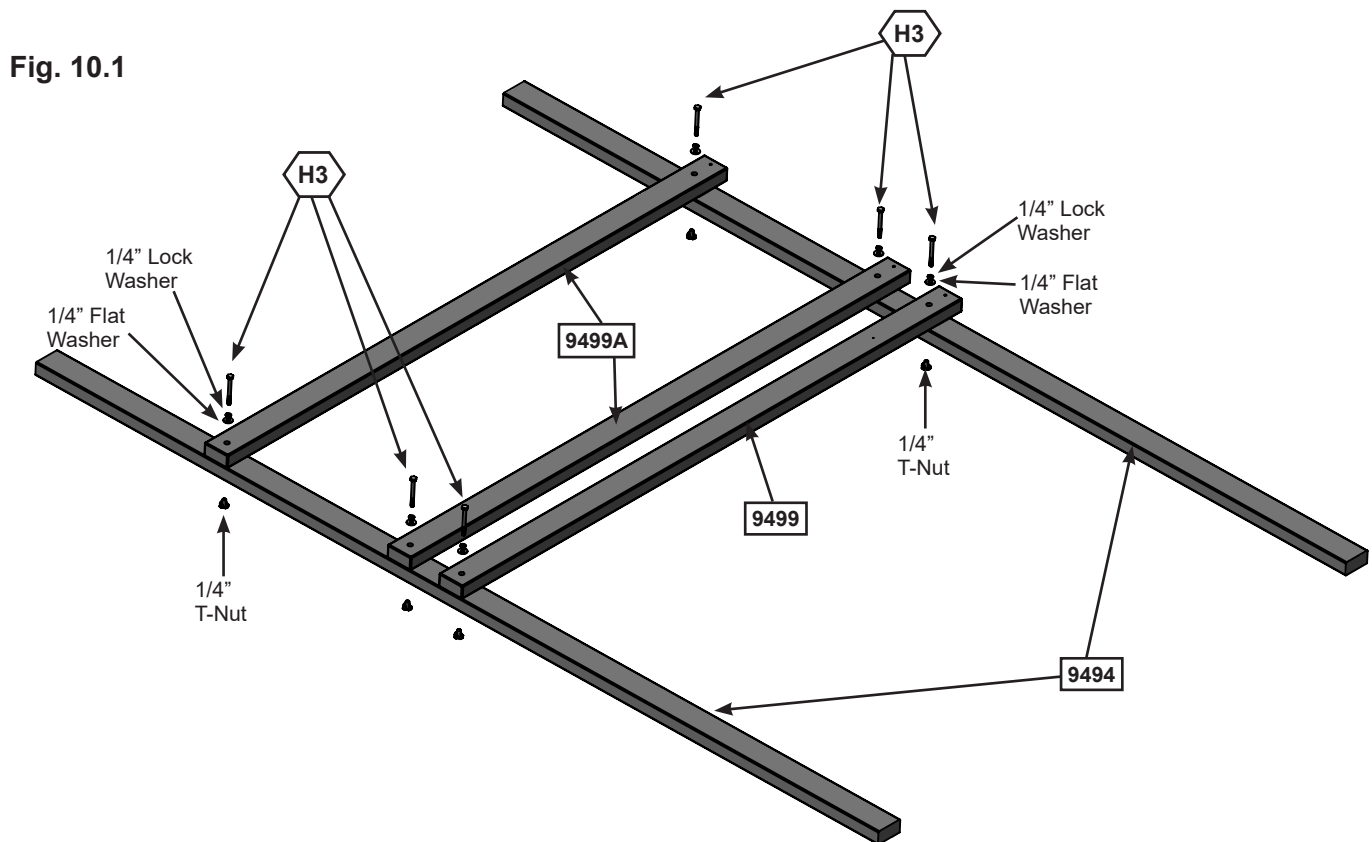
### Other Parts

1 x Pan  
1 x Pot  
1 x Spatula  
1 x Utensil Shelf

# Step 10: Crowsnest Assembly

**A:** Lay flat 2 (9494) Crowsnest Uprights taking note of the hole orientation. Place 2 (9499A) Crowsnest Bottoms over the top two sets of pre-drilled holes as shown in ( Fig.10.1). Attach using 2 (H3) 1/4 x 2-1/2" Hex Bolts (with flat washer, lock washer and t-nut) per board. (Fig. 10.1)

**B:** Place (9499) Crowsnest Bottom over the bottom set of pre-drilled holes, attach using 2 (H3) 1/4 x 2-1/2" Hex Bolts (with lock washer, flat washer and t-nut). (Fig. 10.1)



### Wood Parts

- 1 x 9499 Crowsnest Bottom 1 1/4 x 2 1/2 x 57 7/16"
- 2 x 9499A Crowsnest Bottom 1 1/4 x 2 1/2 x 57 7/16"
- 2 x 9494 Crowsnest Upright 1 1/4 x 2 1/2 x 90"

### Hardware

- 6 x H3 1/4 x 2-1/2" Hex Bolt  
(1/4" lock washer, 1/4" flat washer, 1/4" t-nut)



# Step 11: Attach Crowsnest Assembly Part 1



**A:** With a helper, stand the Crowsnest Assembly upright, in front of the fort. Measure to make sure that there is a 21" space between the fort and the outside of (9499) Crowsnest Bottom, as shown in fig. 11.3 & 11.4.

**B:** Place 1 (9498) Crowsnest Short L across the opening from the fort to the (9494) Crowsnest Upright so that it's flush to the outside edge and the bottom of the lower (9499) Crowsnest Bottom (fig. 11.2). Check to make sure the board is level, then attach using 4 (S3) #8 x 2- 1/2" Wood Screws. (fig. 11.1 & 11.2 )

Fig. 11.1

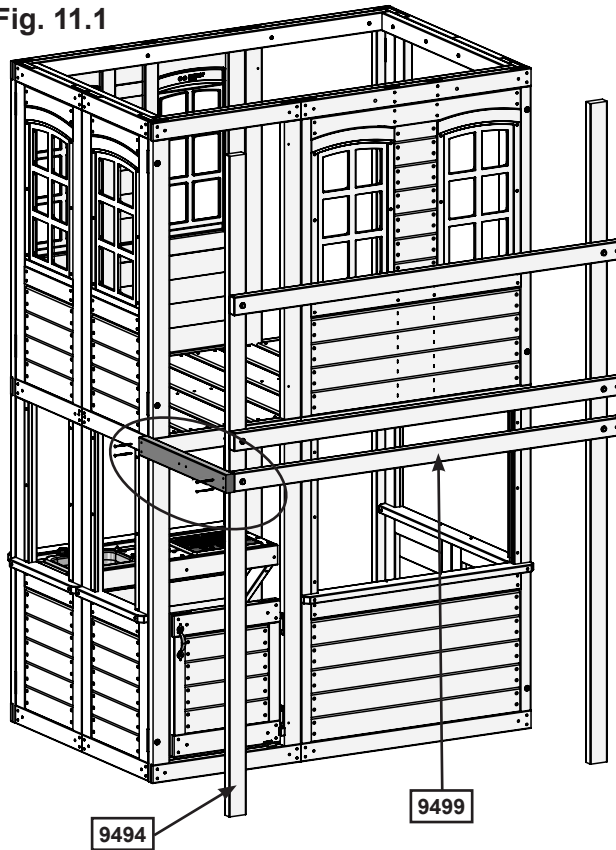


Fig. 11.2

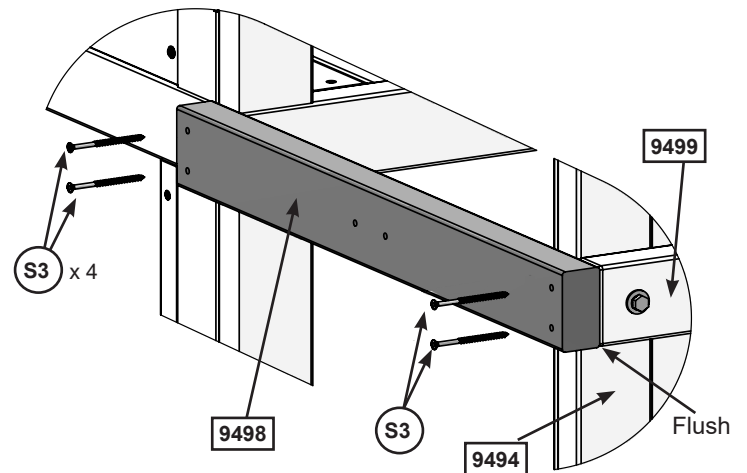


Fig. 11.3

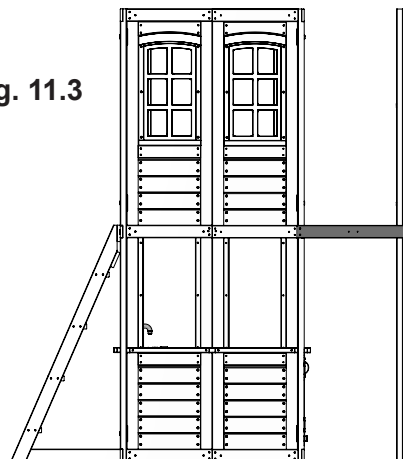
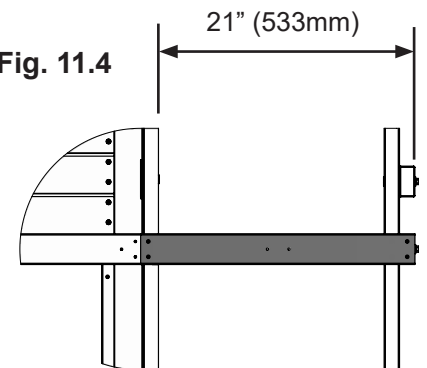


Fig. 11.4



**Wood Parts**

1 x 9498 Crowsnest Short L 1 1/4 x 2 1/2 x 22 5/16"

**Hardware**

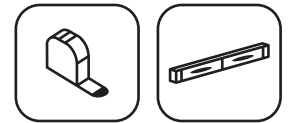
4 x S3 #8 x 2-1/2" Wood Screw



parts.kidkraft.com

customerservice@kidkraft.com  
1.800.933.0771  
972.385.0100

# Step 11: Attach Crowsnest Assembly Part 2



**A:** In the openings between the (9499A) Crowsnest Bottoms and the fort, attach 2 (9496) Crowsnest Shorts using 5 (S3) #8 x 2- 1/2" Wood Screws per board, making sure that the boards are level and flush with the (9499A) Crowsnest Bottoms. (fig. 11.3 & 11.7)

**B:** Repeat step A to install (9497) Crownest Short A in the location shown. (fig. 11.3 & 11.7)

**C:** Place (9491) Ground Brace A across the bottom opening so that it's flush to the front of (9494) Crowsnest Upright. Attach to the fort and the upright using 4 (S3) #8 x 2- 1/2" Wood Screws. (fig. 11.3 & 11.5)

Fig. 11.3

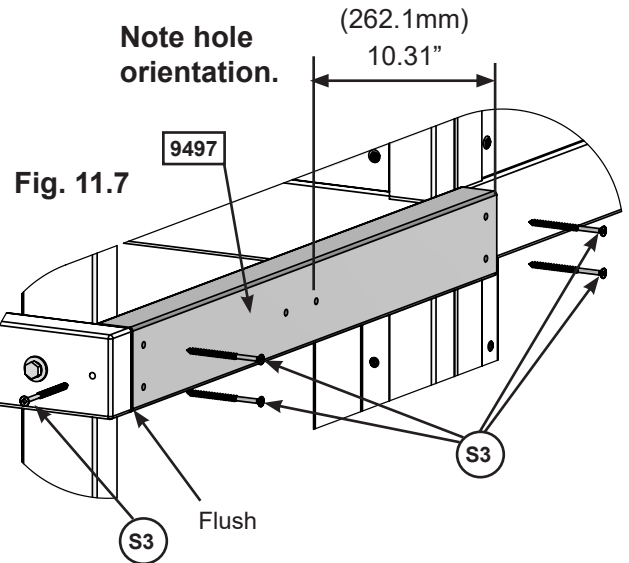
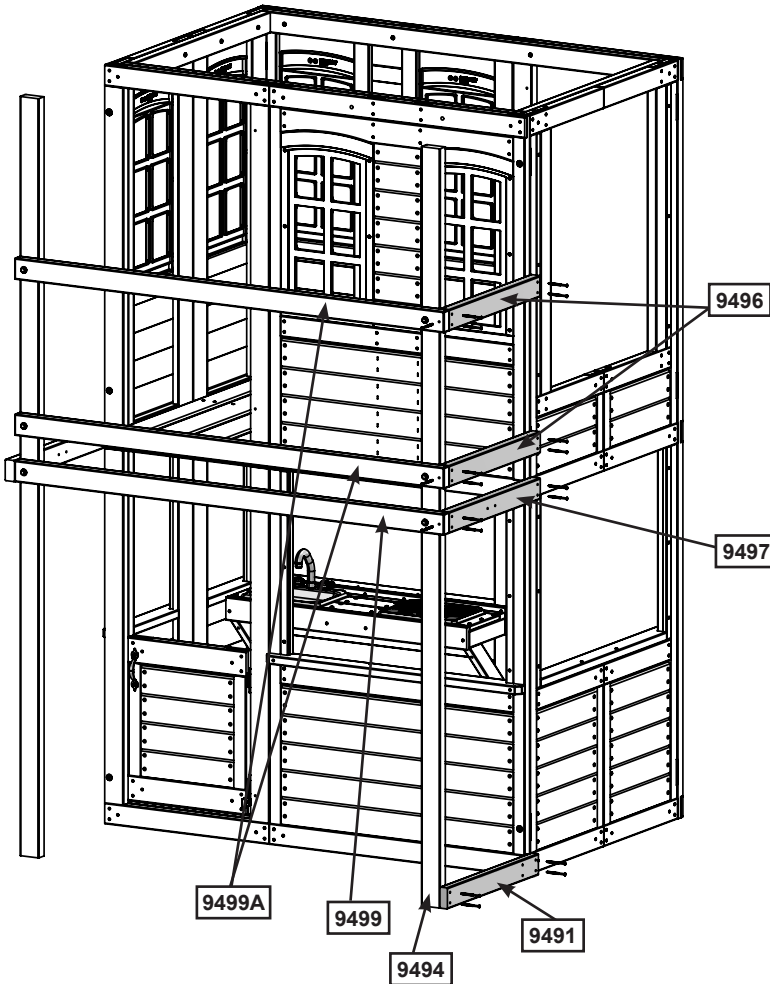
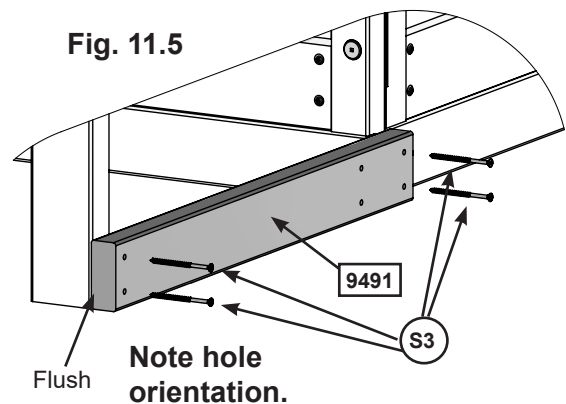


Fig. 11.5



**Wood Parts**

- 1 x 9491 Groud Brace A 1 x 2 1/4 x 21 3/16"
- 2 x 9496 Crowsnest Short 1 1/4 x 2 1/2 x 21 3/16"
- 1 x 9497 Crowsnest Short A 1 1/4 x 2 1/2 x 21 1/8"

**Hardware**

- 19 x S3 #8 x 2-1/2" Wood Screw

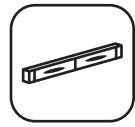
europecustomerservice@kidkraft.com  
+31 20 305 8620  
M-F from 09:00 to 17:30 (GMT+1)

parts.kidkraft.eu





# Step 12: Attach Side Joist



**A:** On the inside wall of the deck assembly, measure 5/8" down from the top of the door opening and place 1 (9466) Side Joist-2 along the length of the wall. Check to make sure Joist is level, then attach using 5 (S11) #8 x 2" Wood Screws. (Fig. 12.1 & 12.2)

**B:** Measure 5/8" down from the top of (9499) Crowsnest Bottom and repeat Step A to install (9465) Side Joist-1 to the opposite side. (Fig. 12.1 & 12.2)

Fig. 12.1

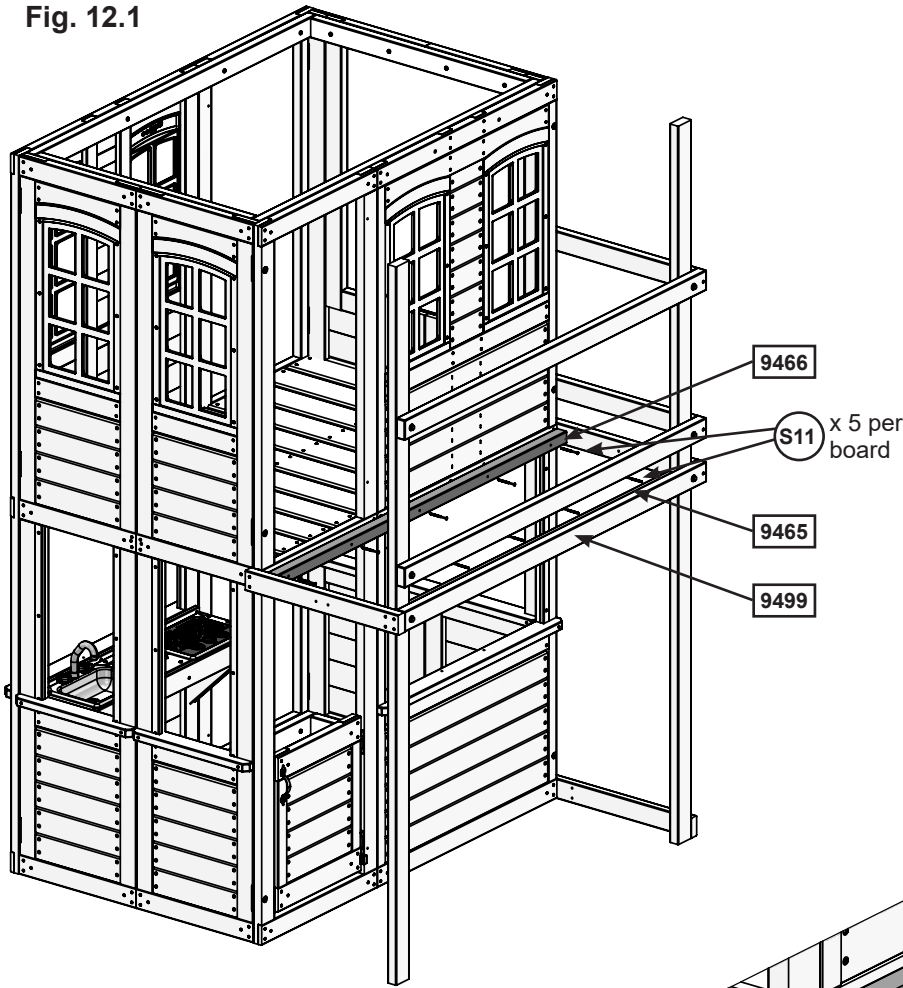
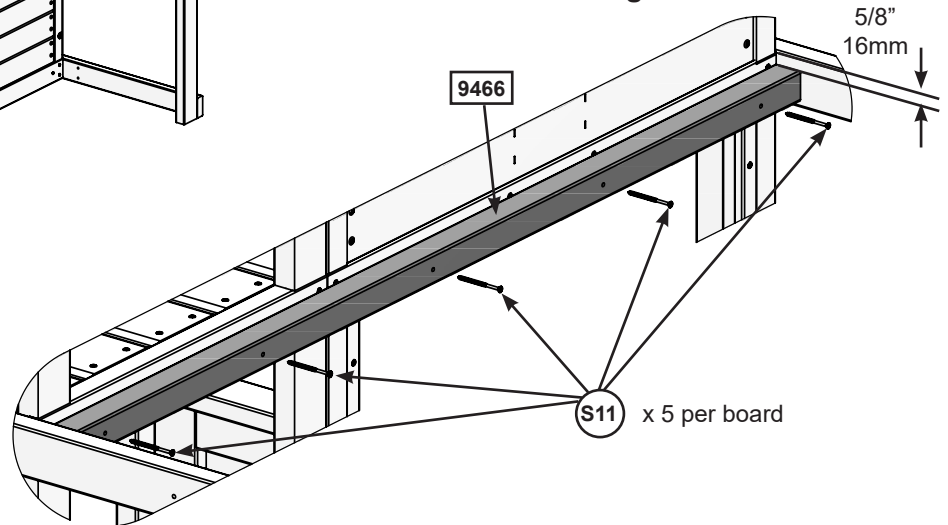


Fig. 12.2



### Wood Parts

- 1 x 9465 Side Joist-1 1 1/4 x 1 1/2 x 50 7/8"
- 1 x 9466 Side Joist-2 1 1/4 x 1 1/2 x 55 7/8"

### Hardware

- 10 x S11 #8 x 2" Wood Screw



parts.kidkraft.com

customerservice@kidkraft.com  
1.800.933.0771  
972.385.0100

# Step 13: Attach Floor Support



**A:** Place 1 (9468) Floor Board Short tight to (9497) Crowsnest Short A and a second one tight to (9498) Crowsnest Short L.(fig.13.1 & 13.2 & 13.3)

**B:** Place (9469) Floor Support tight to the bottom of each Floor Board, centered over the pilot holes on the (9497) Crowsnest End Short A and (9498) Crowsnest End Short I then attach with 2 (S4) #8 x 3" Wood Screws per end. (fig.13.1 & 13.2 & 13.3)

**C:** Attach each (9468) Floor Board to (9466) Side Joist-2 and (9469) Floor Support using 5 (S20) #8 x 1-3/8" Wood Screws per board. (fig.13.2)

Fig. 13.2

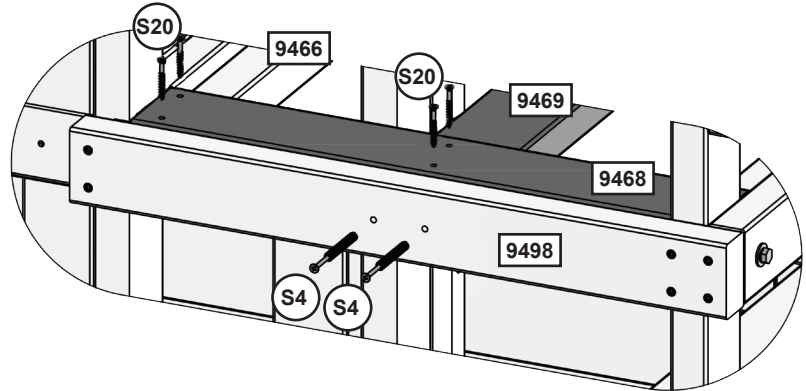


Fig. 13.1

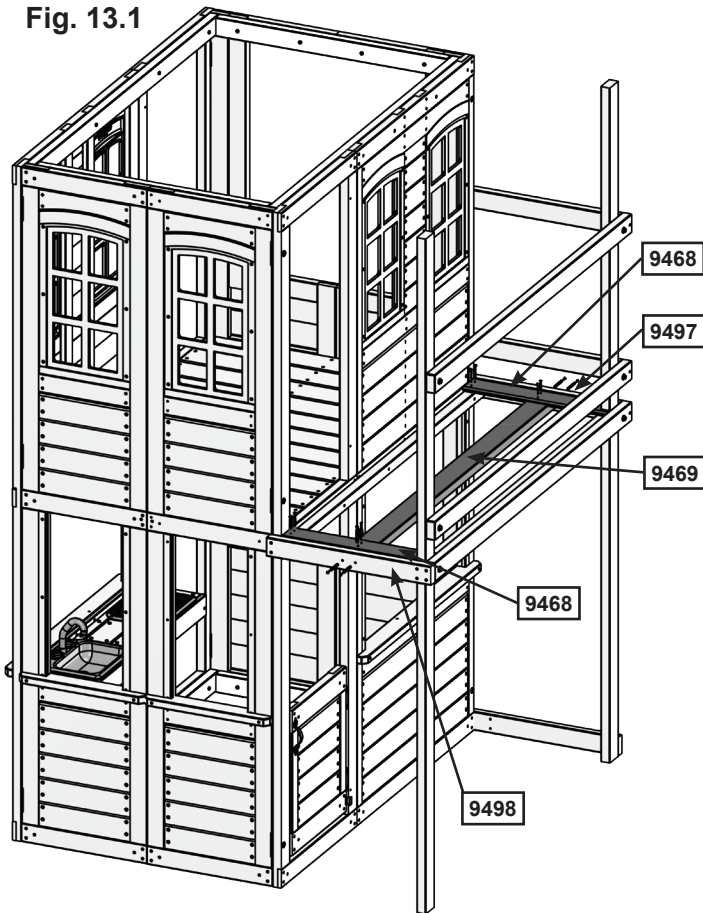
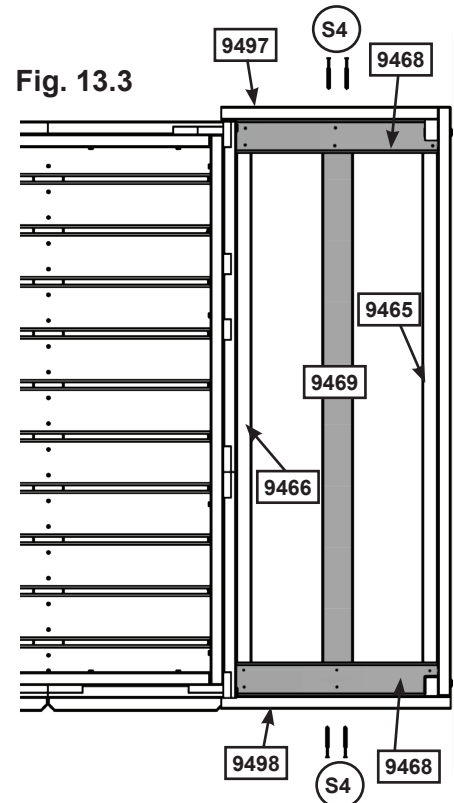


Fig. 13.3



### Wood Parts

- 2 x 9468 Floor Board Short-1 9/16 x 4 5/16 x 19 7/8"
- 1 x 9469 Floor Support 1 1/4 x 2 1/2 x 56 1/8"

### Hardware

- 10 x S20 #8 x 1-3/8" Wood Screw
- 4 x S4 #8 x 3" Wood Screw

europecustomerservice@kidkraft.com  
 +31 20 305 8620  
 M-F from 09:00 to 17:30 (GMT+1)

parts.kidkraft.eu



# Step 14: Chair Assembly

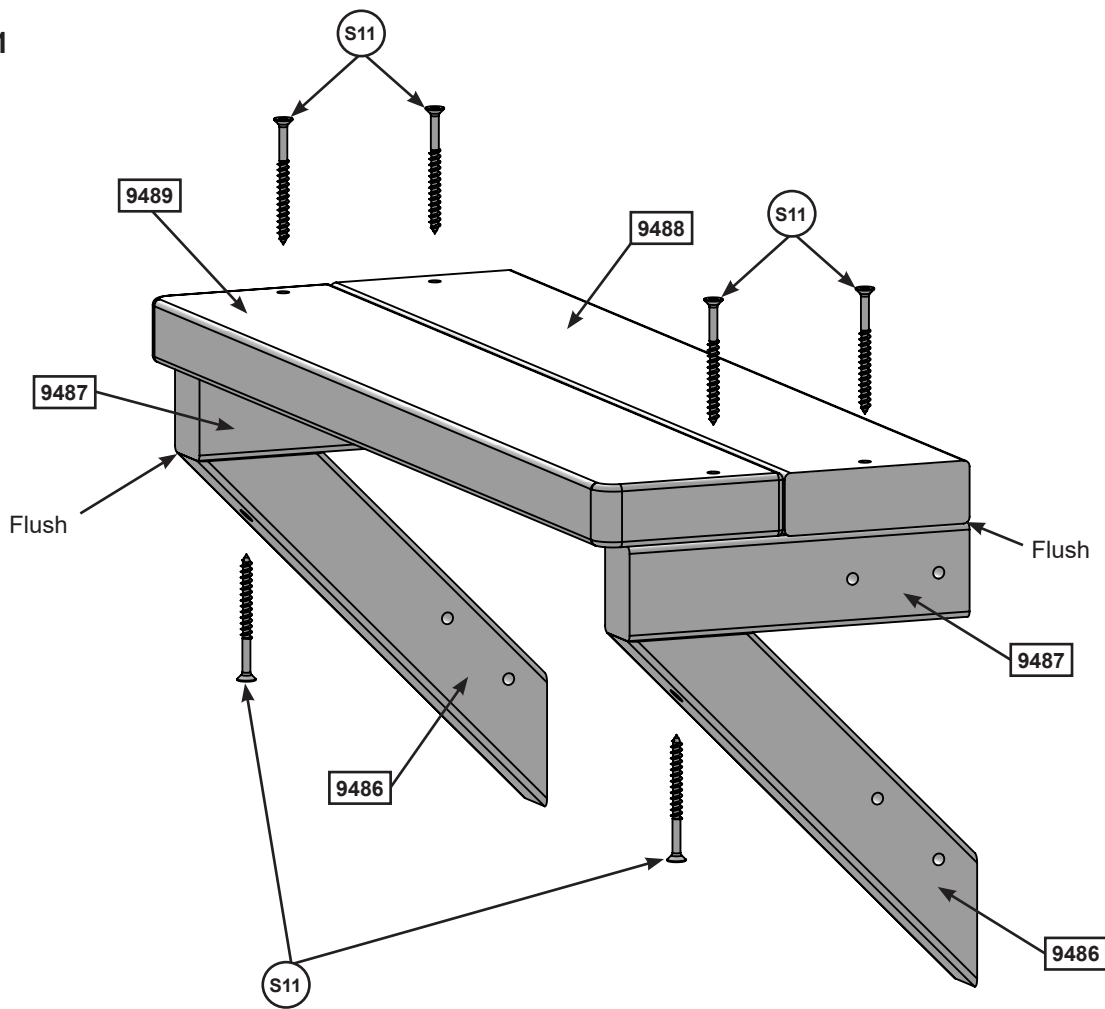


**A:** Place 1 (9488) Chair Top flush to the edges of 1 (9487) Chair Gusset A, making sure to note the hole orientation. Attach using 1 (S11) #8 x 2" Wood Screw. Repeat to install a second (9487) Chair Gusset on the opposite side. (Fig. 14.1)

**B:** Install (9489) Chair Top A to (9487) Chair Gusset A's using 2 (S11) #8 x 2" Wood Screws, making sure that the rounded edges are facing outwards.. (Fig. 14.1)

**C:** Place 1 (9486) Chair Gusset on each end of the (9487) Chair Gusset A's making sure to note the hole orientation. Attach using 1 (S11) #8 x 2" Wood Screw per board.(Fig. 14.1)

Fig. 14.1



### Wood Parts

- 2 x 9486 Chair Gusset 1 x 1 1/2 x 8 3/16"
- 2 x 9487 Chair Gusset A 1 x 1 1/2 x 5 13/16"
- 1 x 9488 Chair Top 7/8 x 3 1/8 x 18 9/16"
- 1 x 9489 Chair Top A 7/8 x 3 1/8 x 18 9/16"

### Hardware

- 6 x S11 #8 x 2" Wood Screw

# Step 15: Attach Chair Assembly



**A:** Measure 10-3/4" (27.3 cm) up from the top of the (9491) Ground Brace to the bottom of (9488) Chair Top. (Fig. 15.2). Install Bench Assembly to the inside of the fort and the (9494) Crownsnest Upright as shown in (fig. 15.1 & 15.2 ) making sure that it is flush to the edge of the frame. Attach using 4 (S11) #8 x 2" Wood Screws per side.

Fig. 15.1

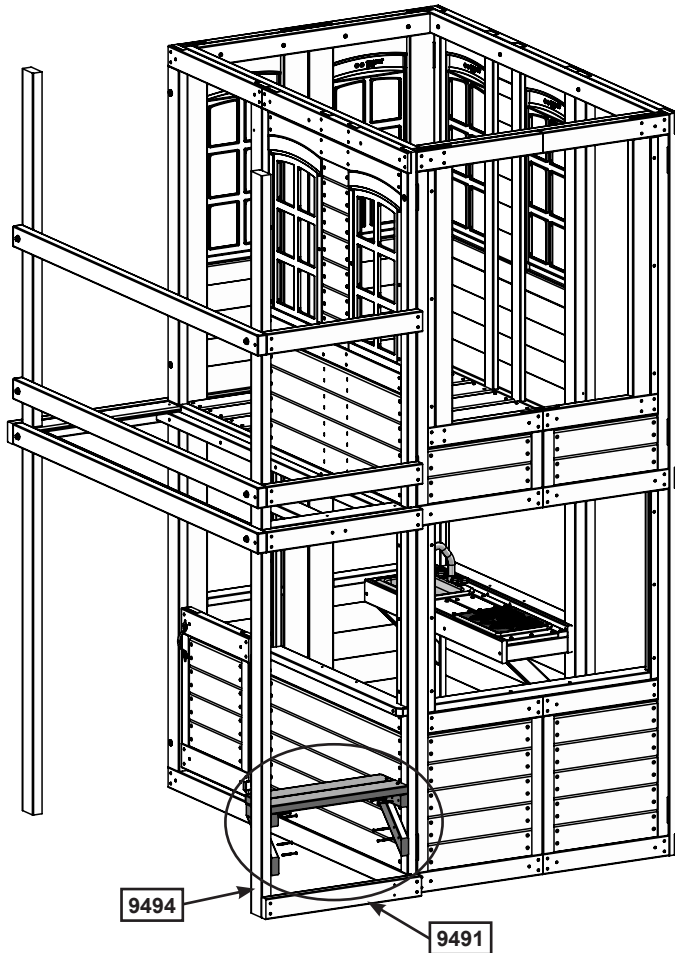
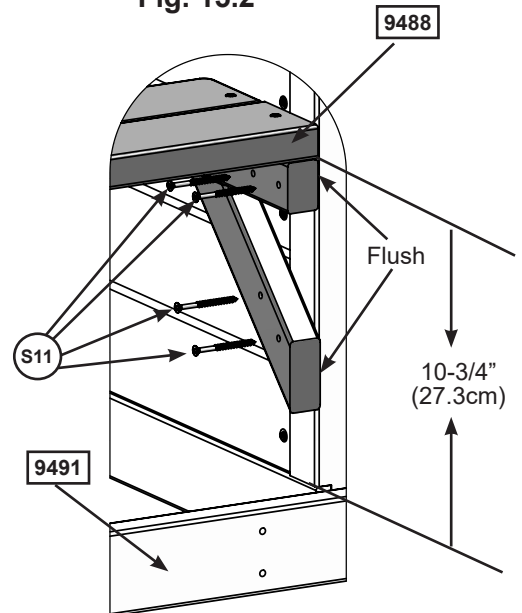


Fig. 15.2



### Hardware

8 x (S11) #8 x 2" Wood Screw



## Step 16: Attach Crowsnest Gusset

**A:** On the underside of one end of the deck assembly, place 1 (9495) Crowsnest Gusset as shown in (fig.16.2). One end of the Gusset should be flat against (9465) Side Joist-1 and the other end should be flush with the front edge of (9494) Crowsnest Upright. Attach using 2 (S3) #8 x 2-1/2" Wood Screws. (fig.16.1 and 16.2)

**B:** Repeat to install a second (9495) Crowsnest Gusset on the opposite side. (fig.16.1 and 16.2)

Fig. 16.1

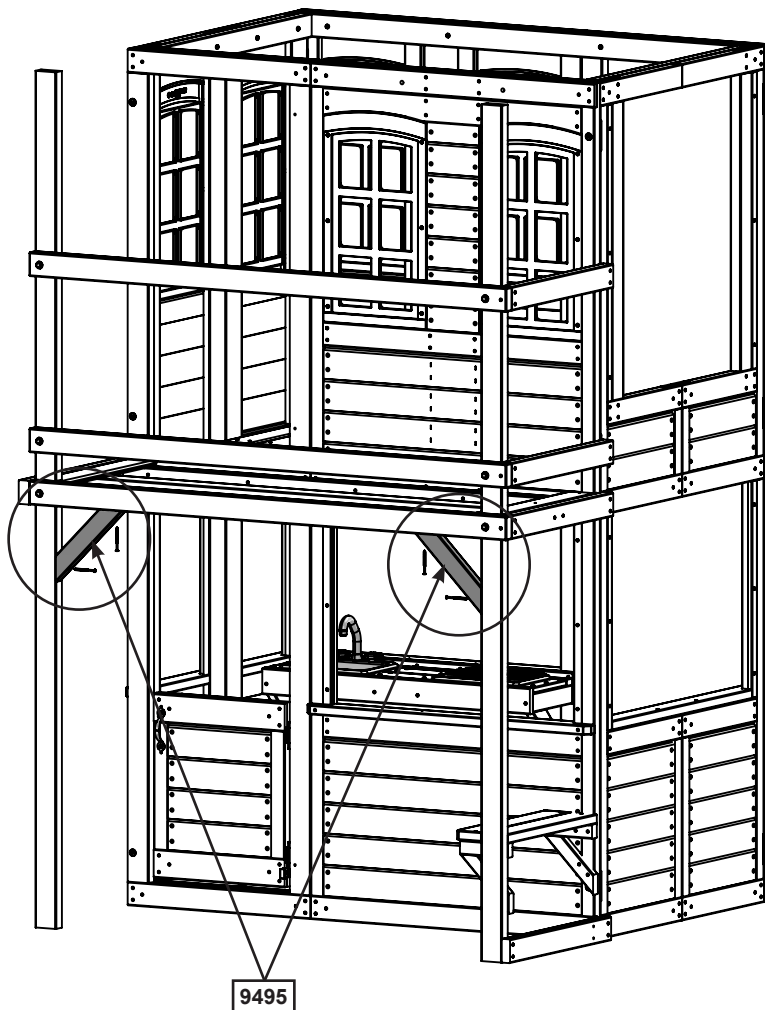
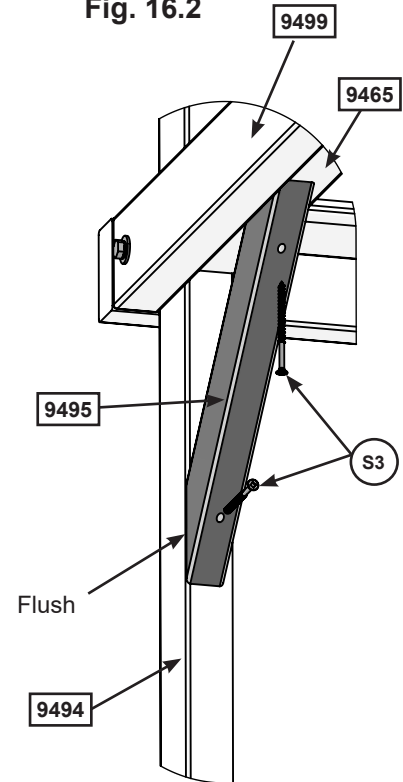


Fig. 16.2



### Wood Parts

2 x **9495** Crowsnest Gusset 1 x 2 x 12 7/16"

### Hardware

4 x **S3** #8 x 2-1/2" Wood Screw

# Step 17: Access Ladder Assembly Part 1



- A:** Place (9478) Left Rail on one side of 4 (9480) Ladder Gap and (9479) Right Access on the other side with the grooves facing in. (fig. 17.1)
- B:** Fit each (9480) Ladder Gap into grooves on both (9478) and (9479) Access rails, making sure the top edge of the (9480) Ladder Gap are flush to the front of the Access rails. (fig.17.1 and 17.2 & 17.3)
- C:** Pre-drill pilot holes with a 1/8" drill bit and attach rails and Ladder Gap together using 4 (S3) #8 x 2-1/2" Wood Screws per Ladder Gap. (fig.17.1 and 17.2)

Fig. 17.1

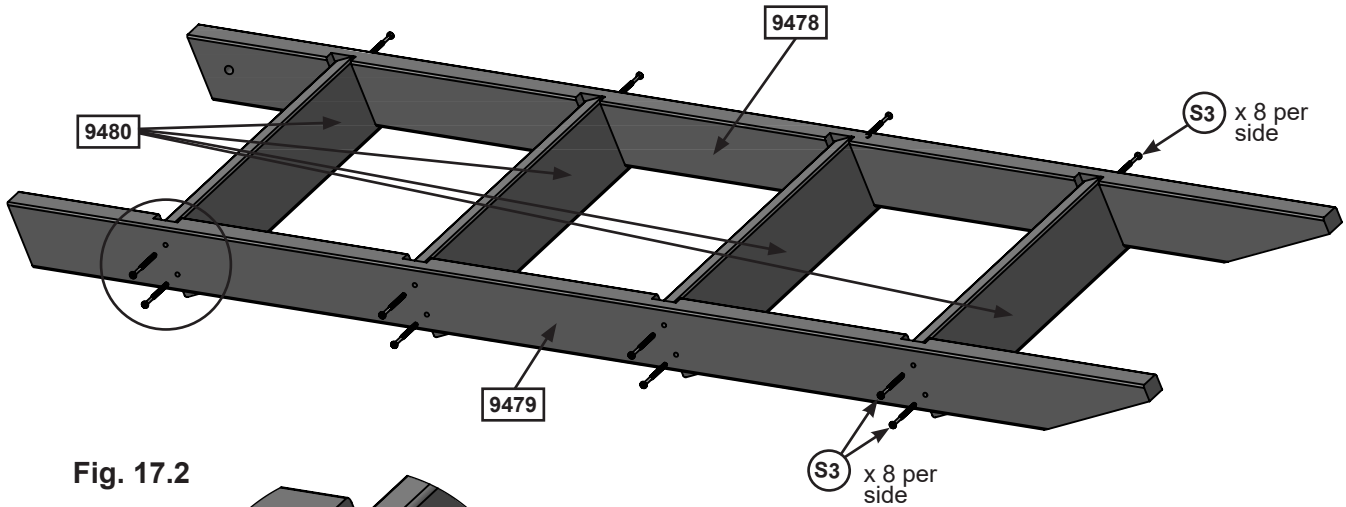


Fig. 17.2

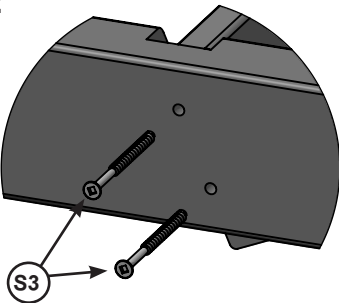
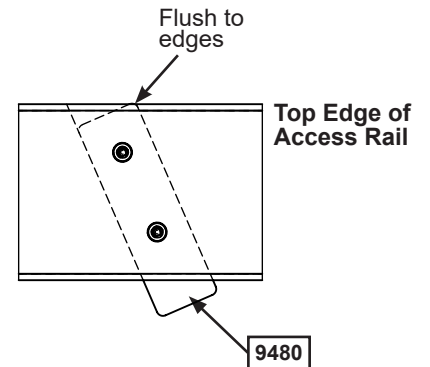


Fig. 17.3  
End View



## Wood Parts

- 1 x 9478 Left Rail 1 1/4 x 2 7/16 x 51 5/16"
- 1 x 9479 Right Rail 1 1/4 x 2 7/16 x 51 5/16"
- 4 x 9480 Ladder Gap 13/16 x 3 1/8 x 19 1/2"

## Hardware

- 16 x (S3) #8 x 2-1/2" Wood Screw

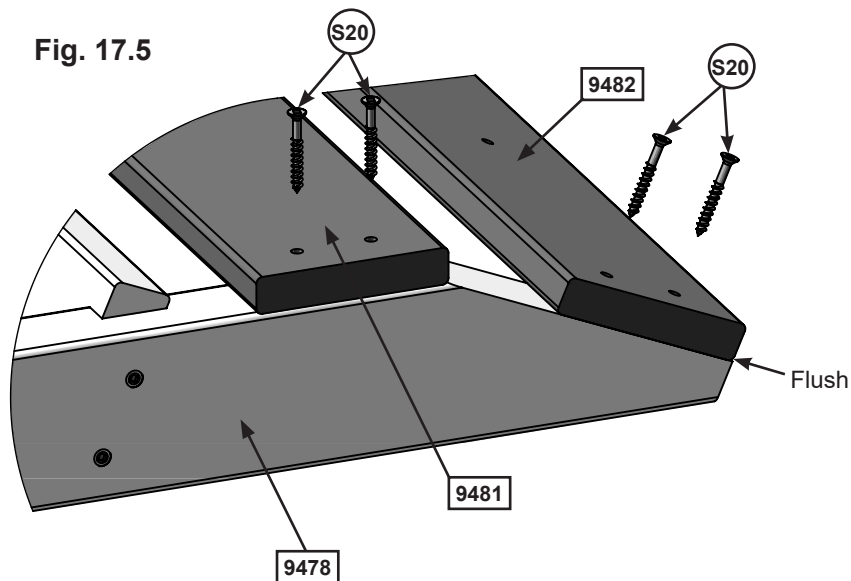
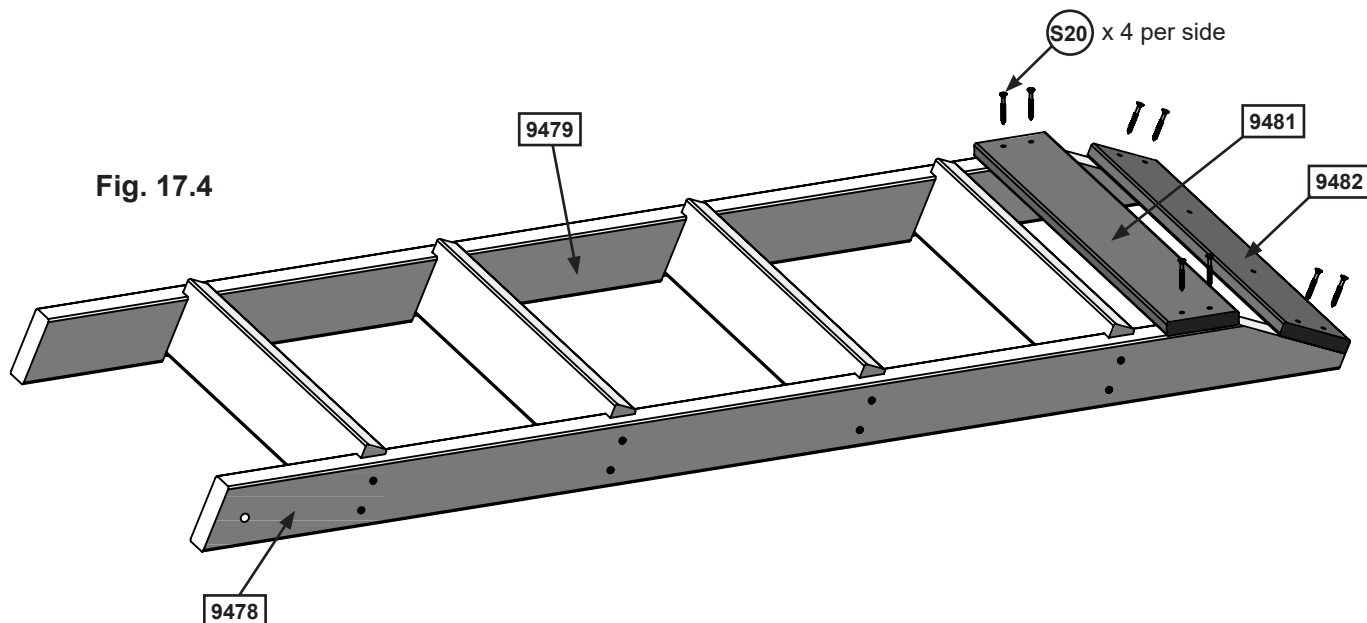


# Step 17: Access Ladder Assembly Part 2



**D:** Place 1 (9481) RW-AL Support on the back of the ladder so that it sits flush to the top of the angle cut as shown in fig. 17.5. Attach using 4 (S20) #8 x 1-3/8" Wood Screws. (Fig. 17.4 & 17.5)

**E:** Flush to the top and edges of the (9478) and (9479) Rails, attach (9482) RW-AL A using 4 (S20) #8 x 1-3/8" Wood Screws. (Fig. 17.4 & 17.5)



### Wood Parts

- 1 x 9481 RW-AL Support 9/16 x 3 1/8 x 20 15/16"
- 1 x 9482 RW-AL A Support 9/16 x 3 1/8 x 20 15/16"

### Hardware

- 8 x S20 #8 x 1-3/8" Wood Screw

# Step 18: Attach Access Ladder Part 1

**A:** Place Ladder Assembly in the back opening of (9264) Folding Panel Assembly Left A. Make sure that the ladder is flush to the top of the floor boards and the outside edge of the panel, then attach using 2 (S20) #8 x 1-3/8" Wood Screws.(Fig.18.1 & 18.2)

Fig. 18.1

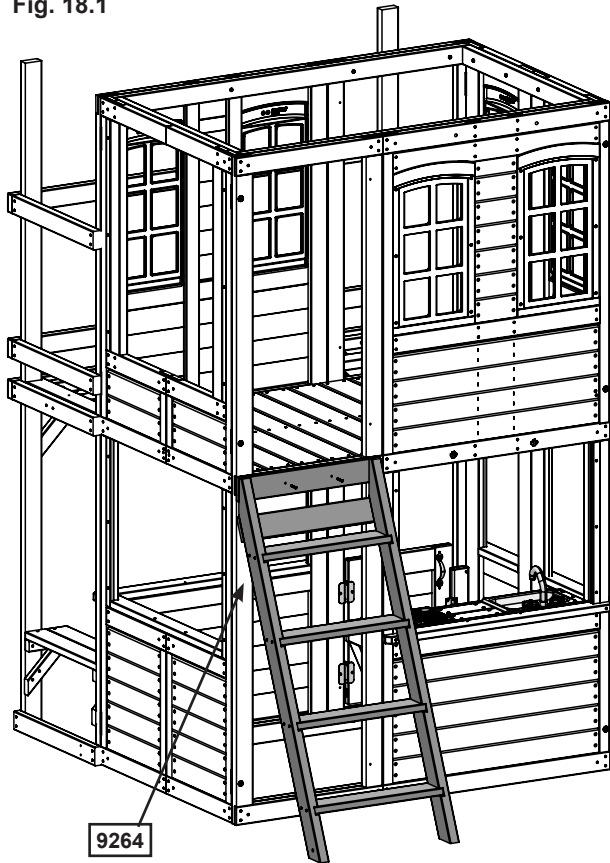
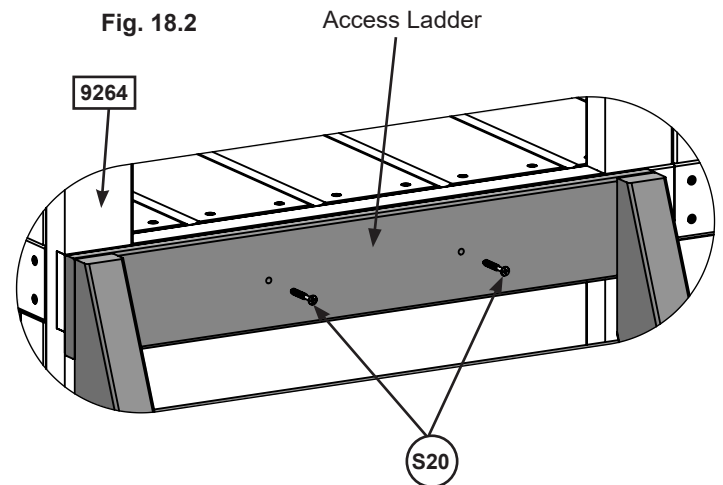



Fig. 18.2



## Hardware

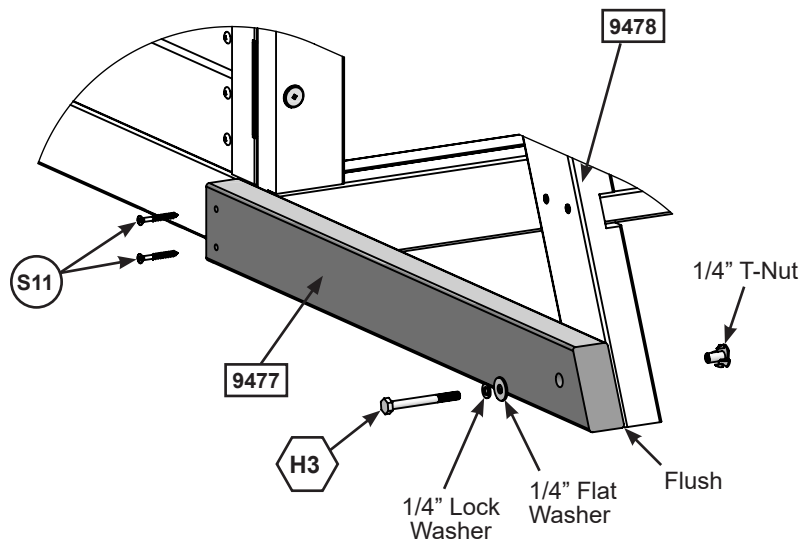
2 x  #8 x 1-3/8" Wood Screw



## Step 18: Attach Access Ladder Part 2

**B:** Place (9477) Supporting Diagonal so that the angled end is flush with the front edge of (9478) Left Rail and attach using 1 (H3) 1/4 x 2-1/4" Hex Bolt (with lock washer, flat washer and t-nut). Attach opposite end of (9477) Supporting Diagonal to the fort using 2 (S11) #8 x 2" Wood Screws. (fig. 18.3)

Fig. 18.3



### Wood Parts

1 x **9477** Supporting Diagonal 1 x 2 x 22 7/16"

### Hardware

2 x **S11** #8 x 2" Wood Screw  
 1 x **H3** 1/4 x 2-1/4" Hex Bolt  
 (1/4" lock washer, 1/4" flat washer, 1/4" t-nut)