

F29045
F29045E

COZY ESCAPE PLAYHOUSE

BILT.® Easy step-by-step 3D interactive instructions for this product can be found in BILT.®. Download today.

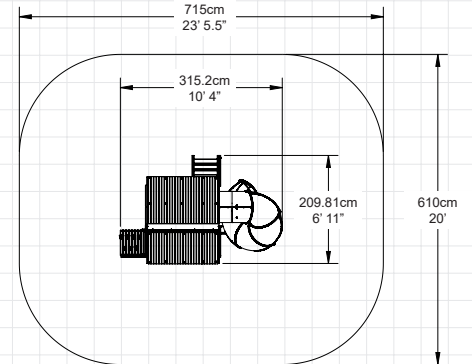


OBSTACLE FREE SAFETY ZONE - 23' 5.5" x 20' (715 x 610 cm) area requires Protective Surfacing. See page 4.

MAXIMUM VERTICAL FALL HEIGHT - 56-5/16" (1.43m).

CAPACITY - 11 Users Maximum, Ages 3 to 10; Weight Limit 110 lbs. (50 kg) per child.

RESIDENTIAL HOME USE ONLY. Not intended for public areas such as multi-unit residences, schools, churches, nurseries, day cares or parks.



INSTALLATION AND OPERATING INSTRUCTIONS

FOR 24/7 ONLINE PARTS REPLACEMENT

parts.kidkraft.com

KidKraft, Inc.
4630 Olin Road
Dallas, Texas 75244
USA

customerservice@kidkraft.com

1.800.933.0771
972.385.0100

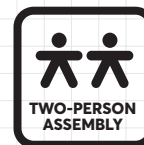
parts.kidkraft.eu

KidKraft Netherlands BV
Olympisch Stadion 8
1076 DE Amsterdam
The Netherlands

europcustomerservice@kidkraft.com

+31 20 305 8620
M-F from 09:00 to 17:30 (GMT+1)

9409045 / 9409045E Rev 12/20/2022



⚠️ WARNING

To reduce the risk of serious injury or death, please read and follow these instructions. Keep and refer to instructions as needed and pass along to any future owners of this item.

Congratulations on purchasing a KidKraft product!

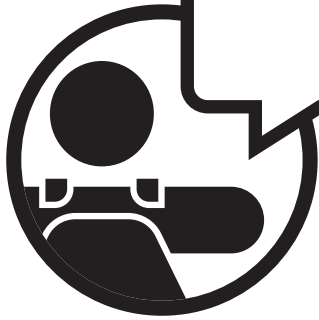
**Our items are made of high-quality,
durable Cunninghamia Lanceolata wood
from the cypress family.**

**Lumber from these trees are known for
their light weight and excellent strength.
The porosity of this wood allows the
moisture to absorb and evaporate in the
fibers, resisting rot and bugs.**

**Engineered for great play, our products
also go through extensive testing for safety.**

**Plus, our team has developed a series of
proprietary methods for a simpler, more
organized assembly. Less build time and
more play time is our motto!**

**However, during assembly if you have any
questions or concerns, please reach out.
Our Customer Service can help with missing
parts, instructions or maintenance.**



Warnings and Safe Play Instructions



CONTINUOUS ADULT SUPERVISION REQUIRED. Most serious injuries and deaths on playground equipment have occurred while children were unsupervised! Our products are designed to meet mandatory and voluntary safety standards. Complying with all warnings and recommendations in these instructions will reduce the risk of serious or fatal injury to children using this play system. Go over the warnings and safe play instructions regularly with your children and make certain that they understand and follow them. Remember on-site adult supervision is required for children of all ages.



WARNING

SERIOUS HEAD INJURY HAZARD

Installation over concrete, asphalt, dirt, grass, carpet and other hard surface creates a risk of serious injury or death from falls to the ground. Install and maintain shock absorbing material under and around play-set as recommended on page 3 of these instructions.

COLLISION HAZARD

Place play-set on level ground at least 2m from any obstruction such as a garage or house, fences, poles, trees, sidewalks, walls, landscape timbers, rocks, pavement, planters, garden borders, overhanging branches, laundry lines, and electrical wires. (See OBSTACLE FREE SAFETY ZONE on cover)

CHOKING HAZARD/SHARP EDGES & POINTS

Adult assembly required. This product contains small parts and parts with sharp edges and points. Keep parts away from children until fully assembled.

WARNING LABEL

Owners shall be responsible for maintaining the legibility of the warning labels.

STRANGULATION HAZARD

- NEVER allow children to play with ropes, clotheslines, pet leashes, cables, chains or cord-like items when using this play-set or to attach these items to play-set.
- NEVER allow children to wear loose fitting clothing, ponchos, hoods, scarves, capes, necklaces, items with draw-strings, cords or ties when using this play-set.
- NEVER allow children to wear bike or sport helmets when using this play-set.

Failure to prohibit these items, even helmets with chin straps, increases the risk of serious injury and death to children from entanglement and strangulation.

TIP OVER HAZARD

Choose a level location for the equipment. This can reduce the likelihood of the play set tipping over and loose-fill surfacing materials washing away during heavy rains.

DO NOT allow children to play on the play-set until the assembly is complete and the unit is properly anchored.

Never add extra length to chain or rope. The chains or ropes provided are the maximum length designed for the swinging element(s).



WARNING – Safe Play Instructions

- ✓ Observe capacity limitations of your play-set. See front cover.
- ✓ Dress children with well fitting and full foot enclosing footwear.
- ✓ Teach children to sit with their full weight in the center of the swing seat to prevent erratic swing motion or falling off.
- ✓ Check for splintered, broken or cracked wood; missing, loose, or sharp edged hardware. Replace, tighten and or sand smooth as required prior to playing.
- ✓ Verify that suspended climbing ropes, rope ladders, chain or cable are secured at both ends and cannot be looped back on itself as to create an entanglement hazard.
- ✓ On sunny and or hot days, check the slide and other plastic rides to assure that they are not very hot as to cause burns. Cool hot slide and rides with water and wipe dry prior to using.
- ✓ Orientate slide such that it gets the least amount of exposure to the sun.
- ✗ Do not allow children to wear open toe or heel footwear like sandals, flip-flops or clogs.
- ✗ Do not allow children to walk, in front, between, behind or close to moving rides.
- ✗ Do not let children twist swing chains or ropes or loop them over the top support bar. This may reduce the strength of the chain or rope and cause premature failure.
- ✗ Do not let children get off rides while they are in motion.
- ✗ Do not permit climbing on equipment when it is wet.
- ✗ Do not permit rough play or use of equipment in a manner for which it was not intended. Standing on or jumping from the roof, elevated platforms, swings, climbers, ladders or slide can be dangerous.
- ✗ Do not allow children to swing empty rides or seats.
- ✗ Do not allow children to go down slide head first or run up slide.



⚠️ Protective Surfacing - Reducing Risk of Serious Head Injury From Falls

One of the most important things you can do to reduce the likelihood of serious head injuries is to install shock-absorbing protective surfacing under and around your play equipment. The protective surfacing should be applied to a depth that is suitable for the equipment height in accordance with ASTM F1292. There are different types of surfacing to choose from; whichever product you select, follow these guidelines:

Loose-Fill Materials

- Maintain a minimum depth of 9 inches (23 cm) of loose-fill materials such as wood mulch/chips, engineered wood fiber (EWF), or shredded/recycled rubber mulch for equipment up to 8 feet (2.45 m) high; and 9 inches (23 cm) of sand or pea gravel for equipment up to 5 feet (1.5 m) high. NOTE: An initial fill level of 12 inches (31 cm) will compress to about a 9-inch (23 cm) depth of surfacing over time. The surfacing will also compact, displace, and settle, and should be periodically raked and refilled to maintain at least a 9-inch (23 cm) depth.
- Use a minimum of 6 inches (16 cm) of protective surfacing for play equipment less than 4 feet (1.22 m) in height. If maintained properly, this should be adequate. (At depths less than 6 inches (16 cm), the protective material is too easily displaced or compacted.)

NOTE: Do not install home playground equipment over concrete, asphalt, or any other hard surface. A fall onto a hard surface can result in serious injury to the equipment user. Grass and dirt are not considered protective surfacing because wear and environmental factors can reduce their shock absorbing effectiveness. Carpeting and thin mats are not adequate protective surfacing. Ground level equipment -- such as a sandbox, activity wall, playhouse or other equipment that has no elevated play surface -- does not need any protective surfacing.

- Use containment, such as digging out around the perimeter and/or lining the perimeter with landscape edging. Don't forget to account for water drainage.
- Periodically rake, check and maintain the depth of the loose-fill surfacing material. Marking the correct depth on the play equipment support posts will help you to see when the material has settled and needs to be raked and or replenished. Be sure to rake and evenly redistribute the surfacing in heavily used areas.
- Do not install loose fill surfacing over hard surfaces such as concrete or asphalt.

Poured-In-Place Surfaces or Pre-Manufactured Rubber Tiles

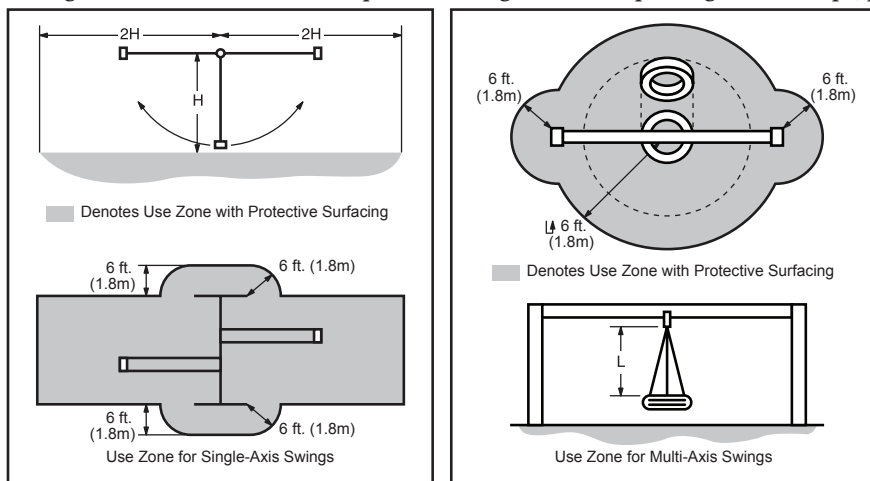
You may be interested in using surfacing other than loose-fill materials - like rubber tiles or poured-in-place surfaces.

- Installations of these surfaces generally require a professional and are not "do-it yourself" projects.
- Review surface specifications before purchasing this type of surfacing. Ask the installer/manufacturer for a report showing that the product has been tested to the following safety standard: ASTM F1292 *Standard Specification for Impact Attenuation of Surfacing Materials within the Use Zone of Playground Equipment*. This report should show the specific height for which the surface is intended to protect against serious head injury. This height should be equal to or greater than the fall height - vertical distance between a designated play surface (*elevated surface for standing, sitting, or climbing*) and the protective surfacing below - of your play equipment.
- Check the protective surfacing frequently for wear.

Placement

Proper placement and maintenance of protective surfacing is essential. Refer to diagram on front cover. Be sure to;

- Extend surfacing at least 6 feet (1.8 m) from the equipment in all directions.
- For to-fro swings, extend protective surfacing in front of and behind the swing to a distance equal to twice the height of the top bar from which the swing is suspended.
- For tire swings, extend surfacing in a circle whose radius is equal to the height of the suspending chain or rope, plus 6 feet (1.8 m) in all directions.



From the CPSC Outdoor Home Playground Safety Handbook. At <http://www.playgroundregs.com/resources/CPSC%20324.pdf>

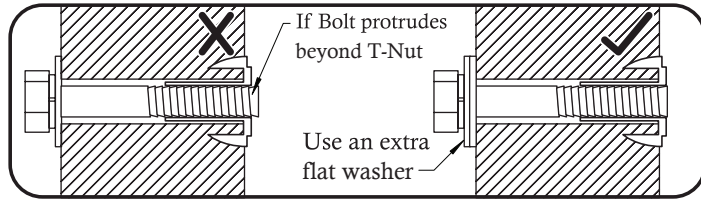
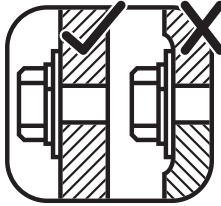
Instructions for Proper Maintenance

Your KidKraft Play System is designed and constructed of quality materials with your child's safety in mind. As with all outdoor products used by children, it will weather and wear. To maximize the enjoyment, safety and life of your Play Set, it is important that you, the owner, properly maintain it.

Check the following at the beginning of the play season:

HARDWARE:

- ✓ Check metal parts for rust. If found, sand and repaint using a non-lead paint complying with 16 CFR 1303.
- ✓ Inspect and tighten all hardware. On wood assemblies **DO NOT OVER-TIGHTEN** as to cause crushing and splintering of wood.
- ✓ Check for sharp edges or protruding screw threads, add washers if required.



SHOCK ABSORBING SURFACING:

- ✓ Check for foreign objects. Rake and check depth of loose fill protective surfacing materials to prevent compaction and maintain appropriate depth. Replace as necessary. (See Protective Surfacing, page 3)

GROUND STAKES (ANCHORS):

- ✓ Check for looseness, damage or deterioration. Should firmly anchor unit to ground during use. Re-secure and or replace, if necessary.

SWING HANGERS:

- ✓ Check that bolts are secure and tight. Quick clips should be completely closed and threaded clips screwed tight.

- ✓ If squeaking occurs lubricate bushings with oil or WD-40®.

SWINGS, ROPES AND RIDES:

- ✓ Reinstall if removed during cold season. Check all moving parts including swing seats, ropes, chains and attachments for wear, rust and other deterioration. Replace as needed.
- ✓ Check that ropes are tight, secure at both ends and cannot loop back as to create an entrapment.

WOOD PARTS:

- ✓ Check all wood members for deterioration, structural damage and splintering. Sand down splinters and replace deteriorated wood members. As with all wood, some checking and small cracks in grain is normal.
- ✓ Applying a water repellent or stain (water-based) on a yearly basis is important maintenance to maintain maximum life and performance of the product.

Check twice a month during play season:

HARDWARE:

- ✓ Inspect for tightness. Must be firmly against, but not crushing the wood. **DO NOT OVER-TIGHTEN.** This will cause splintering of wood.
- ✓ Check for sharp edges or protruding screw threads. Add washers if required.

SHOCK ABSORBING SURFACING:

- ✓ Rake and check depth of loose fill protective surfacing materials to prevent compaction and maintain appropriate depth. Replace as necessary. (See Protective Surfacing, page 3)

Check once a month during play season:

SWING HANGERS:

- ✓ Check that they are secure and orientated correctly. Hook should rotate freely and perpendicular to support beam.
- ✓ If squeaking occurs lubricate bushings with oil or WD-40®.

SWINGS AND RIDES:

- ✓ Check swing seats, all ropes, chains and attachments for fraying, wear, excessive corrosion or damage. Replace if structurally damaged or deteriorated.

Check at the end of the play season:

SWINGS AND RIDES:

- ✓ To prolong their life, remove swings and store inside when outside temperature is below 32°F/0°C. Below freezing, plastic parts may become more brittle.

SHOCK ABSORBING SURFACING:

- ✓ Rake and check depth of loose fill protective surfacing materials to prevent compaction and maintain appropriate depth. Replace as necessary. (See Protective Surfacing, page 3)

If you dispose of your play set: Please disassemble and dispose of your unit so that it does not create any unreasonable hazards at the time it is discarded. Be sure to follow your local waste ordinances.

About Our Wood

KidKraft Premium Play Systems uses only premium playset lumber, ensuring the safest product for your children's use. Although we take great care in selecting the best quality lumber available, wood is still a product of nature and susceptible to weathering which can change the appearance of your set.

What causes weathering? Does it affect the strength of my Play System?

One of the main reasons for weathering is the effects of water (moisture); the moisture content of the wood at the surface is different than the interior of the wood. As the climate changes, moisture moves in or out of the wood, causing tension which can result in checking and or warping. You can expect the following due to weathering. These changes will not affect the strength of the product:

1. **Checking** is surface cracks in the wood along the grain. A post 4" x 4" (101mm x 101mm) will experience more checking than a board 1" x 4" (25mm x 101mm) because the surface and interior moisture content will vary more widely than in thinner wood.
2. **Warping** results from any distortion (twisting, cupping) from the original plane of the board and often happens from rapid wetting and drying of the wood.
3. **Fading** happens as a natural change in the wood color as it is exposed to sun-light and will turn a grey over time.

How can I reduce the amount of weathering to my Play System?

At the factory we have coated the wood with a water repellent or stain. This coating decreases the amount of water absorption during rain or snow thus decreasing the tension in the wood. Sunlight will break down the coating, so we recommend applying a water repellent or stain on a yearly basis (see your local stain and paint supplier for a recommended product).

Most weathering is just the normal result of nature and will not affect safe play and enjoyment for your child. However if you are concerned that a part has experienced a severe weathering problem please call our consumer relations department for further assistance.

Complete and mail registration card to receive important product notifications and assure prompt warranty service.

KidKraft Limited Warranty

MISSING OR DAMAGED PARTS:

KidKraft will replace any parts within 90 days from date of purchase found to be missing from or damaged in the original packaging. See Fig. 1

Fig. 1	<u>Product Age (All Parts)</u> 0-90 Days from date of purchase	<u>Consumer Pays</u> \$0 for Part + Free Shipping
--------	---	--

DEFECTS IN MATERIAL AND WORKMANSHIP:

KidKraft warrants that this product is free from defects in materials and workmanship for a period of one (1) year from the original date of purchase (dated sales receipt and/or product registration is required). This one (1) year warranty covers all parts including wood, hardware, and all accessories (Such as swings, rides, and slides). See Fig. 2

Fig. 2	<u>Product Age (All Parts)</u> 91 Days to 1 Year	<u>Consumer Pays</u> \$0 for Part + Free Shipping
--------	---	--

WOOD ROT, DECAY, AND INSECT DAMAGE:

All wood carries a five (5) year warranty against rot, decay, and insect damage (dated sales receipt and/or product registration is required). Refer to the schedule below for charges associated with replacement of wood parts under this **Limited Warranty**. See Fig. 3

Fig. 3	<u>Product Age (Wood Parts)</u> 0 Days to 1 Year After 1 Year to 5 Year Over 5 Years	<u>Consumer Pays</u> \$0 for Part + Free Shipping \$0 for Part + Shipping & Handling 100% for Part (if available) + Shipping & Handling
--------	---	--

This warranty applies to the original owner and registrant and is non-transferable. Regular maintenance is required to ensure the integrity of this product. Failure by the owner to maintain the product according to the maintenance requirements may void this warranty.

This Limited Warranty does NOT cover:

- Any inspection cost
- Labor and/or costs for replacement of any defective item(s), including but not limited to, professional installer costs
- Incidental or consequential damages, including but not limited to, as a result of set relocation, move and/or reinstall
- Cosmetic defects which do not affect performance or integrity of a part or the entire product
- Vandalism, improper use or installation, or acts of nature, including but not limited to, high winds, fire, and flood
- Minor twisting, warping, checking, or any natural occurring properties of wood that do not affect performance or integrity.
- Any KidKraft product purchased, including but not limited to, a non-approved retailer, auction houses, second-hand, and as-is clearance items.

KidKraft products have been designed for safety and quality. Modifications made to the original product may damage the structural integrity of the unit leading to failure and possible injury. KidKraft cannot assume any responsibility for the modified products. Furthermore, modifications void all warranties.

This product is warranted for **RESIDENTIAL USE ONLY**. Under no circumstance should a KidKraft product be used in public settings such as schools, churches, playgrounds, parks, home and professional day cares and the like. Such use may lead to product failure and potential injury. Public use will void this warranty. KidKraft disclaims all other representations and warranties of any kind, express or implied.



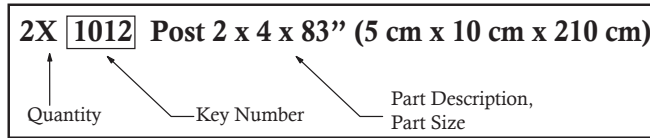
Keys to Assembly Success

Tools Required

<ul style="list-style-type: none"> • Tape Measure • Carpenters Level • Carpenters Square • Claw Hammer • Standard or Cordless Drill • Rubber Mallet 	<ul style="list-style-type: none"> • #1 Phillips, #2 Robertson and Screwdriver • Ratchet with extension 1/2" (13mm) & 9/16" (14 mm) sockets 	<ul style="list-style-type: none"> • Open End Wrench 1/2" (13mm) & 9/16" (14 mm) • Adjustable Wrench • 1/8" (3mm) & 3/16" (5mm) Drill Bits 	<ul style="list-style-type: none"> • 3/16" (5mm) Hex Key • 8' (2.4m) Step Ladder • Safety Glasses • Adult Helpers • Pencil
---	---	---	---

Part Identification Key

On each page, you will find the parts and quantities required to complete the assembly step illustrated on that page. Here is a sample.



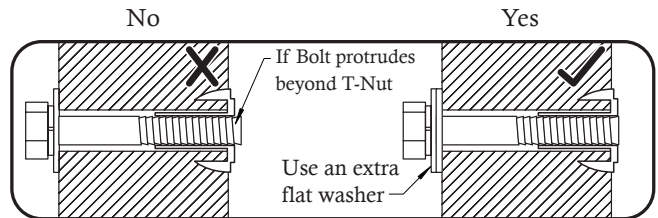
Symbols

Throughout these instructions symbols are provided as important reminders for proper and safe assembly.

<p>This identifies information that requires special attention. Improper assembly could lead to an unsafe or dangerous condition.</p>	<p>Check that set or assembly is properly level before proceeding.</p> <p>Use Level</p>
<p>Use Help</p> <p>Use Help</p> <p>Where this is shown, 2 or 3 people are required to safely complete the step. To avoid injury or damage to the assembly make sure to get help!</p>	<p>Pre-drill 1/8" (3mm) & 3/16" (5mm) Bit</p> <p>Pre-drill a pilot hole before fastening screw or lag to prevent splitting of wood.</p> <p>3mm 5mm</p>
<p>Measure Distance</p> <p>Check that assembly is square before tightening bolts.</p> <p>Square Assembly</p> <p>Use a measuring tape to assure proper location.</p>	<p>Tighten Bolts</p> <p>This indicates time to tighten bolts, but not too tight! Do not crush the wood. This may create splinters and cause structural damage.</p>

CAUTION – Protrusion Hazard

Once the assembly is tightened, watch for exposed threads. If a thread protrudes from the T-Nut, remove the bolt and add washers to eliminate this condition. Extra washers have been provided for this purpose.

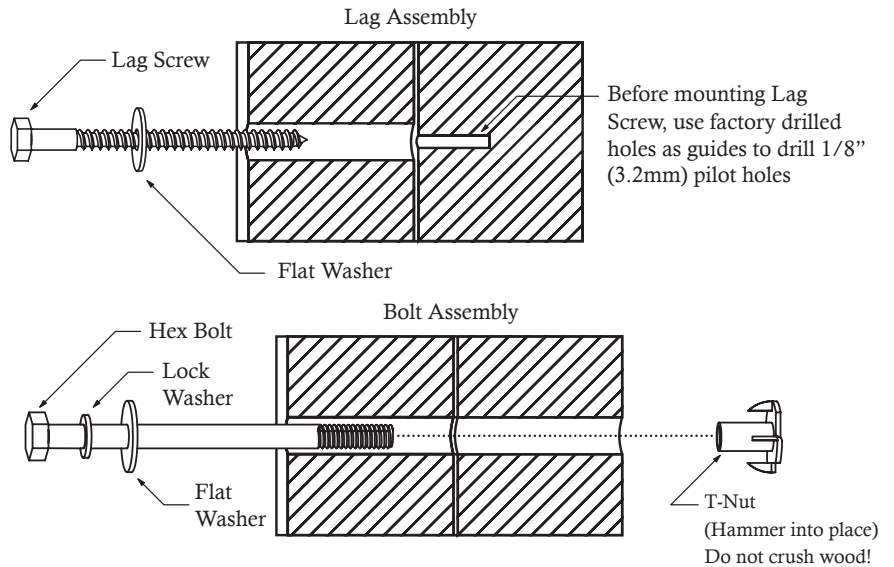


Proper Hardware Assembly

Lag screws require drilling pilot holes to avoid splitting wood. Only a flat washer is required. For ease of installation liquid soap can be used on all lag-type screws.

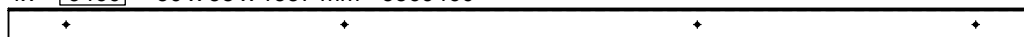
For bolts, tap T-Nut into hole with hammer. Insert the hex bolt through lock washer first then flat washer then hole. Because the assemblies need to be squared do not completely tighten until instructed. Pay close attention to diameter of the bolts. 5/16" (8mm) is slightly larger than 1/4" (6.4mm).

Note: Wafer head bolts with blue lock tight or a bolt with a Ny-Lok nut do NOT require a lock washer.



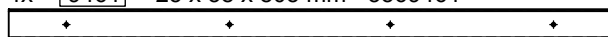
Part Identification (Reduced Size)

4x - [9460] - 30 x 38 x 1357 mm - 3569460



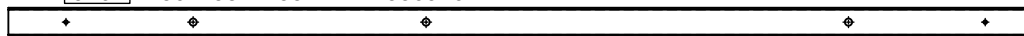
1 1/4 x 1 1/2 x 53 7/16"

4x - [9461] - 25 x 38 x 805 mm - 3569461



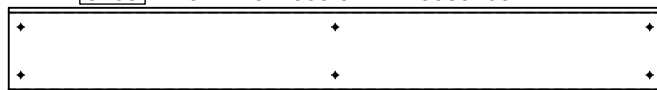
1 x 1 1/2 x 31 11/16"

2x - [9462] - 30 x 38 x 1357 mm - 3569462



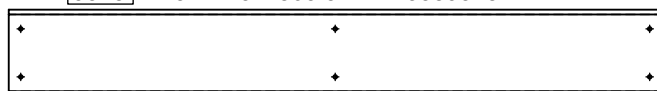
1 1/4 x 1 1/2 x 53 7/16"

11x - [9463] - 15 x 113 x 863.5 mm - 3589463



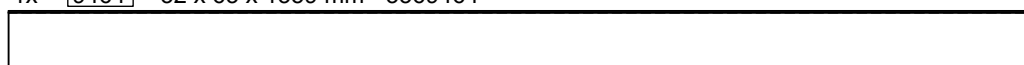
9/16 x 4 7/16 x 34"

1x - [9518] - 15 x 113 x 863.5 mm - 3589518



9/16 x 4 7/16 x 34"

1x - [9464] - 32 x 63 x 1359 mm - 3569464



1 1/4 x 2 1/2 x 53 1/2"

1x - [9465] - 30 x 38 x 1292 mm - 3569465



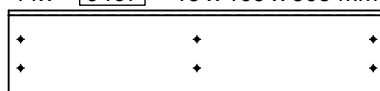
1 1/4 x 1 1/2 x 50 7/8"

1x - [9466] - 30 x 38 x 1424 mm - 3569466



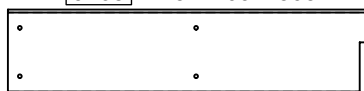
1 1/4 x 1 1/2 x 55 7/8"

11x - [9467] - 15 x 109 x 505 mm - 3589467



9/16 x 4 5/16 x 19 7/8"

2x - [9468] - 15 x 109 x 505 mm - 3589468



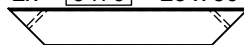
9/16 x 4 5/16 x 19 7/8"

1x - [9469] - 32 x 63 x 1425 mm - 3569469



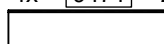
1 1/4 x 2 1/2 x 56 1/8"

2x - [9470] - 25 x 50 x 317.6 mm - 3589470



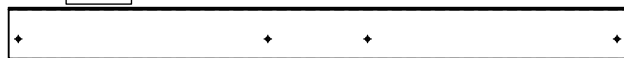
1 x 2 x 12 1/2"

4x - [9471] - 25 x 50 x 210 mm - 3589471



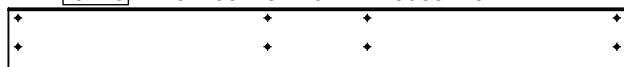
1 x 2 x 8 1/4"

1x - [9472] - 15 x 70 x 817.6 mm - 3589472



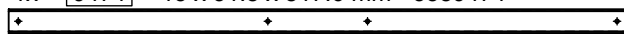
9/16 x 2 3/4 x 32 3/16"

1x - [9473] - 15 x 83 x 817.6 mm - 3589473



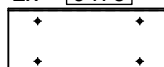
9/16 x 3 1/4 x 32 3/16"

1x - [9474] - 15 x 31.8 x 817.6 mm - 3589474



9/16 x 1 1/4 x 32 3/16"

2x - [9475] - 15 x 87.7 x 213 mm - 3589475



9/16 x 3 7/16 x 8 3/8"

2x - [9476] - 15 x 50 x 177 mm - 3589476



9/16 x 2 x 6 15/16"

Part Identification (Reduced Size)

1x - **9477** - 25 x 50 x 570 mm - 3569477



1x - **9478** - 31 x 62 x 1304 mm - 3589478



1x - **9479** - 31 x 62 x 1304 mm - 3589479



4x - **9480** - 21 x 80 x 495 mm - 3589480



1x - **9481** - 15 x 80 x 532 mm - 3589481



1x - **9482** - 15 x 80 x 532 mm - 3569482



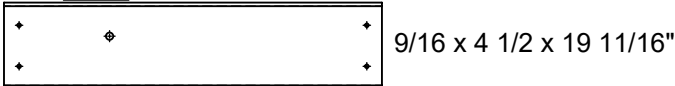
1x - **9483** - 25 x 50 x 588 mm - 3569483



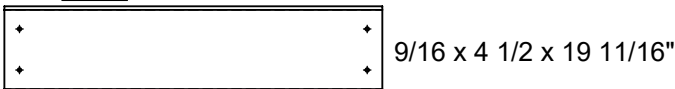
2x - **9484** - 31 x 62 x 1288 mm - 3589484



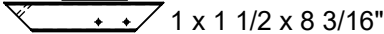
7x - **9485** - 15 x 115 x 500 mm - 3589485



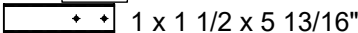
1x - **9522** - 15 x 115 x 500 mm - 3589522



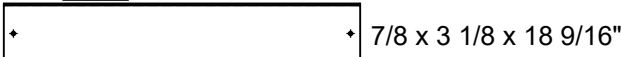
2x - **9486** - 25 x 38 x 208 mm - 3569486



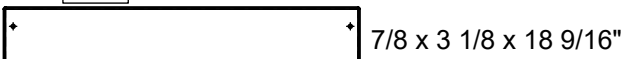
2x - **9487** - 25 x 38 x 147 mm - 3569487



1x - **9488** - 22 x 80 x 472 mm - 3589488



1x - **9489** - 22 x 80 x 472 mm - 3589489



1x - **9490** - 32 x 63 x 600 mm - 3569490



1x - **9491** - 31.8 x 63.5 x 538 mm - 3569491

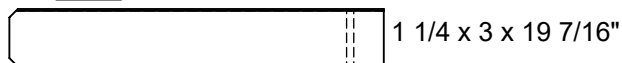


1x - **9492** - 25 x 63.5 x 700 mm - 3569492

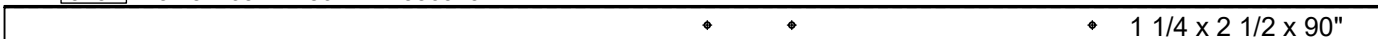


Part Identification (Reduced Size)

1x - [9493] - 32 x 76 x 494 mm - 3569493



2x - [9494] - 31.5 x 63 x 2286 mm - 3569494



2x - [9495] - 25 x 50 x 316 mm - 3569495



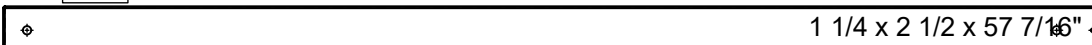
1x - [9497] - 32 x 63 x 537 mm - 3569497



1x - [9498] - 32 x 63 x 566 mm - 3569498



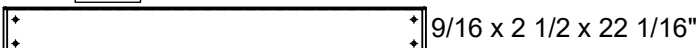
1x - [9499] - 32 x 63 x 1459 mm - 3569499



2x - [9499A] - 32 x 63 x 1459 mm - 3589499



12x - [9500] - 15 x 63.5 x 560 mm - 3589500



2x - [9501] - 25 x 50 x 1433 mm - 3569501



2x - [9502] - 25 x 50 x 269.3 mm - 3569502



2x - [9503] - 25 x 50 x 865.2 mm - 3569503



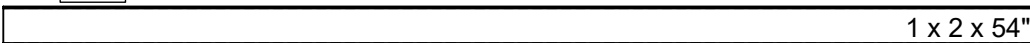
1x - [9504] - 25 x 50 x 1137 mm - 3569504



1x - [9519] - 25 x 50 x 1137 mm - 3569519



1x - [9506] - 25 x 50 x 1372 mm - 3569506



1x - [9507] - 25 x 50 x 673 mm - 3569507



1x - [9508] - 25 x 50 x 673 mm - 3569508



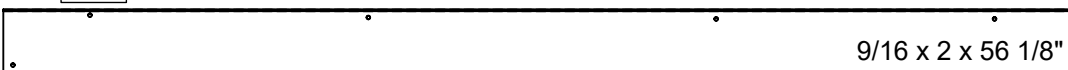
1x - [9509] - 25 x 50 x 1372 mm - 3569509



5x - [9511] - 25 x 50 x 1372 mm - 3569511

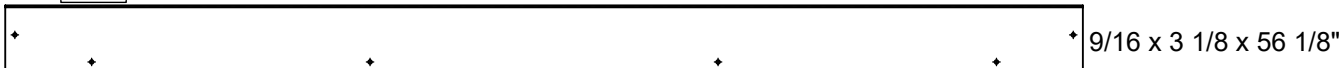


1x - [9512] - 15 x 50 x 1425 mm - 3569512

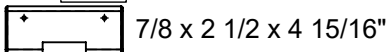


Part Identification (Reduced Size)

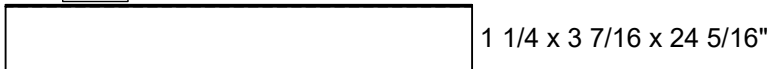
1x - **9520** - 15 x 80 x 1425 mm - 3569520



1x - **9513** - 22 x 63 x 125 mm - 3569513



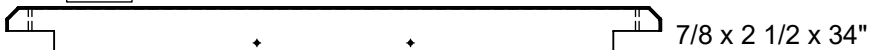
1x - **9514** - 32 x 88 x 618 mm - 3569514



2x - **9496** - 32 x 63.5 x 538 mm - 3589496



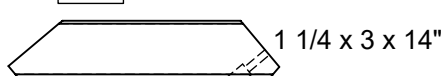
3x - **9515** - 22 x 63 x 864 mm - 3589515



2x - **9516** - 22 x 63 x 430 mm - 3589516

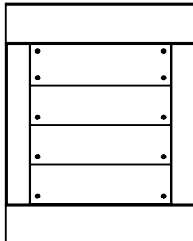


1x - **9521** - 31.5 x 75 x 358 mm - 3569521



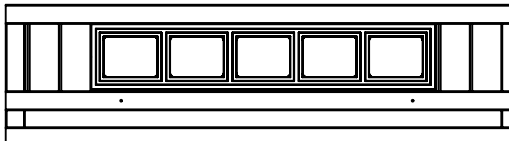
1x - **9262** - 25 x 403 x 493 mm - 37589262

1 x 15 7/8 x 19 7/16



1x - **9261** - 32 x 375 x 1370 mm - 37569261

1 1/4 x 14 3/4 x 53 15/16



Part Identification (Reduced Size)

If you need to order parts, please order below part#

9263

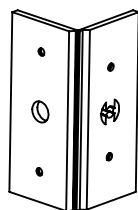
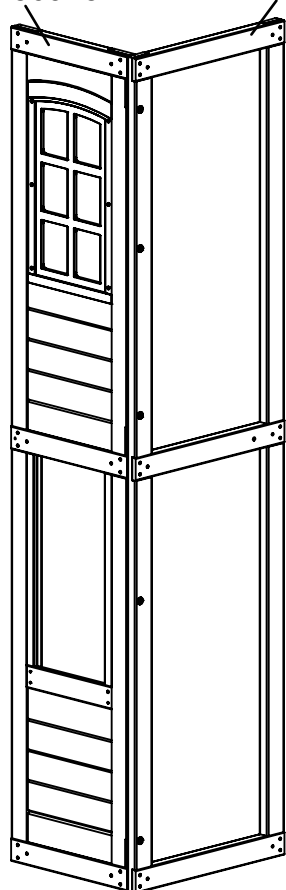
- 37569257 - Swing Wall Panel Right - 1 pc
- 37569255 - Narrow Panel - 1 pc
- 9331660 - Playset Hinge - 3 pcs
- 52013903 - Wood Screw #5 x 3/4 - 12 pcs

9264

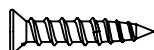
- 37569260 - Slide End Panel Left - 1 pc
- 37569255 - Narrow Panel - 1 pc
- 9331660 - Playset Hinge - 3 pcs
- 52933505 - Truss Head Screw #8 x 7/8 - 12 pcs

1x - **9263** - 64 mm x 557 mm x 2286 mm
2 1/2" x 21 15/16" x 90"

37569257 37569255



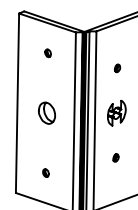
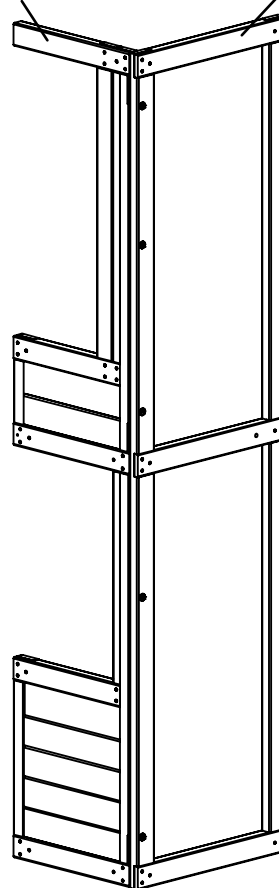
9331660



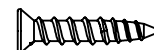
52013903

1x - **9264** - 64 mm x 557 mm x 2286 mm
2 1/2" x 21 15/16" x 90"

37569260 37569255



9331660



52933505

Part Identification (Reduced Size)

If you need to order parts, please order below part#

9265

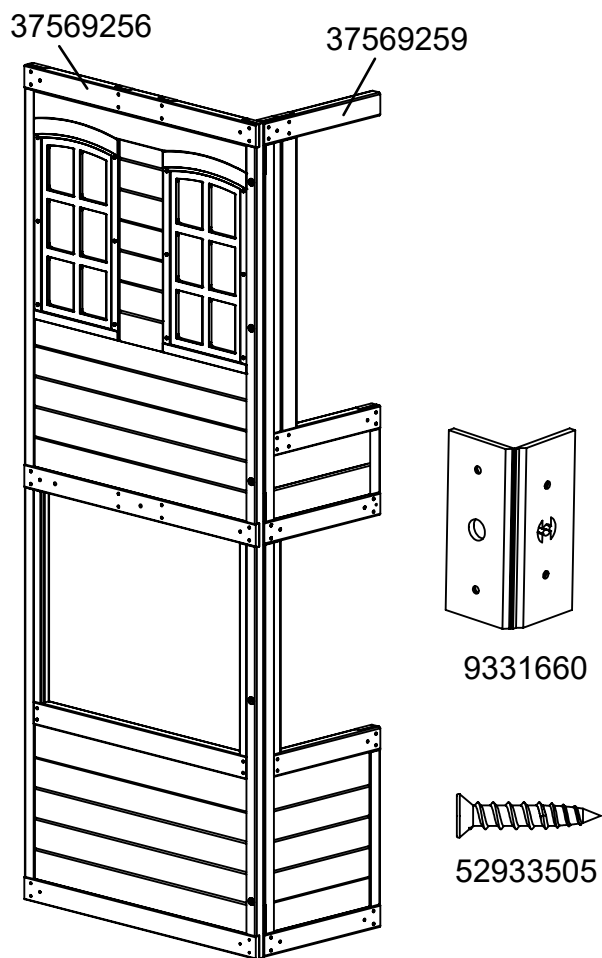
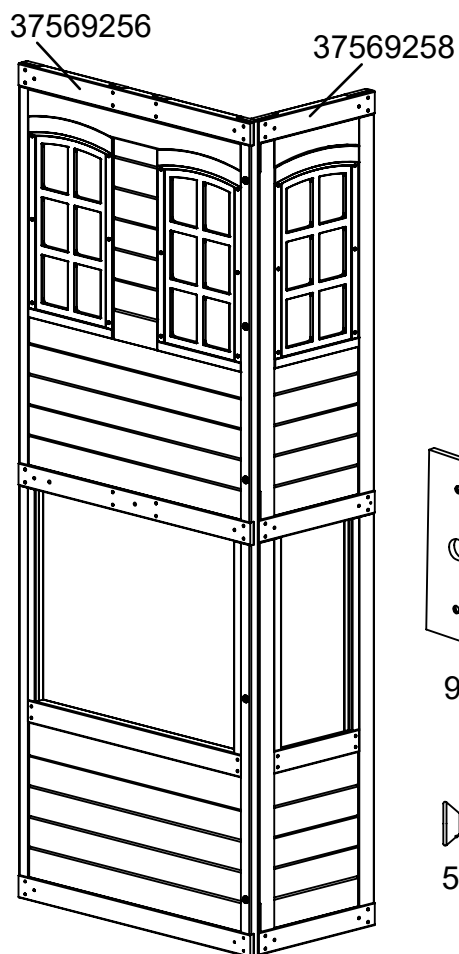
- 37569256 - Wall Panel - 1 pc
- 37569258 - Swing Wall Panel Left - 1 pc
- 9331660 - Playset Hinge - 3 pcs
- 52933505 - Truss Head Screw #8 x 7/8 - 12 pcs

9266

- 37569256 - Wall Panel - 1 pc
- 37569259 - Slide End Panel - 1 pc
- 9331660 - Playset Hinge - 3 pcs
- 52933505 - Truss Head Screw #8 x 7/8 - 12 pcs

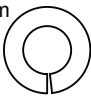
1x - **9265** - 64 mm x 866 mm x 2286 mm
2 1/2" x 34 1/8" x 90"

1x - **9266** - 64 mm x 866 mm x 2286 mm
2 1/2" x 34 1/8" x 90"

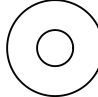


Hardware Identification (Actual Size)

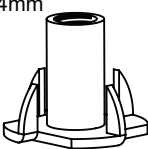
16pc. **LW1** - 1/4" Lock Washer - (51303200)
6.4mm



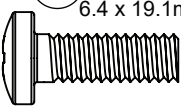
7pc. **FW0** - 3/16" Flat Washer - (51103100)
4.8mm



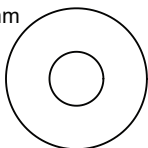
15pc. **TN1** - 1/4" T - Nut - (54503200)
6.4mm



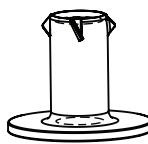
54pc. **PB1** - Pan Bolt 1/4 x 3/4"
6.4 x 19.1mm - (53453203)



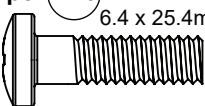
25pc. **FW1** - 1/4" Flat Washer - (51103200)
6.4mm



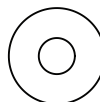
7pc. **BN1** - 1/4" Barrel Nut - (54803200)
6.4mm



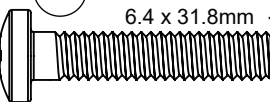
11pc. **PB6** - Pan Bolt 1/4 x 1"
6.4 x 25.4mm - (53413210)



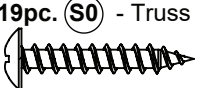
20pc. **FW3** - #8 Flat Washer
- (51003500)




7pc. **PB2** - Pan Bolt 1/4 x 1-1/4"
6.4 x 31.8mm - (53433212)



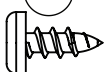
19pc. **S0** - Truss Screw #8 x 7/8"
22.2mm - (52933505)



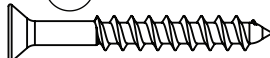
65pc. **LN1** - 1/4 Lock Nut
- (54303200)



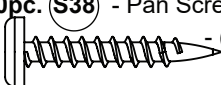
25pc. **S37** - Pan Screw #7 x 5/8"
- (52433009) 15.9mm




292pc. **S20** - Wood Screw #8 x 1-3/8" - (52043516)
34.9mm




20pc. **S38** - Pan Screw #7 x 1-1/8"
- (52433014) 28.6mm



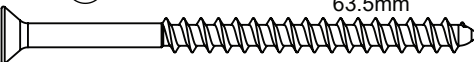
101pc. **S11** - Wood Screw #8 x 2" - (52043520)
50.8mm



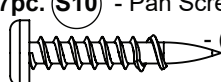
20pc. **S5** - Pan Screw #8 x 1/2"
- (52433502)



49pc. **S3** - Wood Screw #8 x 2-1/2" - (52043522)
63.5mm



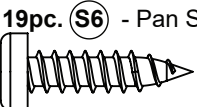
7pc. **S10** - Pan Screw #8 x 1"
- (52433510) 25.4mm



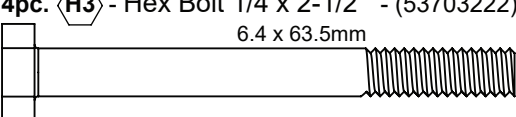
30pc. **S4** - Wood Screw #8 x 3" - (52043530)
76.2mm



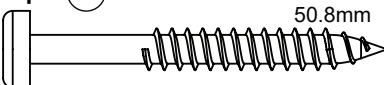
19pc. **S6** - Pan Screw #12 x 1"
- (52433610) 25.4mm



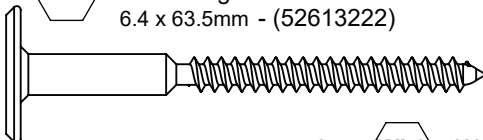
14pc. **H3** - Hex Bolt 1/4 x 2-1/2" - (53703222)
6.4 x 63.5mm



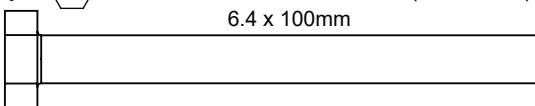
44pc. **S7** - Pan Screw #12 x 2" - (52433620)
50.8mm



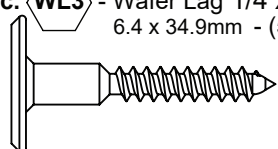
21pc. **WL5** - Wafer Lag 1/4 x 2-1/2"
6.4 x 63.5mm - (52613222)



1pc. **H8** - Hex Bolt 1/4 x 3-15/16" - (53703241)
6.4 x 100mm



8pc. **WL3** - Wafer Lag 1/4 x 1-3/8"
6.4 x 34.9mm - (52613216)



Part Identification (Reduced Size)

1x - Quadrex Driver
(9200015)

3x - Rock A
(9320195)

4x - Rock B
(9320297PCK)

1x - Door Bumper
(9331632)

2x - Factory Mount
Door Hinge
(9200146)

6x - Rebar Ground
Stake
(9290318)

1x - #2 x 2"
Robertson Driver
(9200014)

1x - TNR 3 Tube Support
(9201601)

4x - Steel Hand Grip
(9202111)



3x - Flat Panel
Brkt
(9201633)



1x - Kidkraft
3L Plaque
(9320374)



2x - TNR 4 Post
Mount Clamp
(9201657)



30x - 1/4 x
12.7mm Pan
Head Bolt
(53453202)



1x - TNR 4
Post Mount
Base
(9201656)



31x - Square
Nylok Nut
(54902200)



1x - 1/4 x
14.5mm
Pan Head
Bolt
(53452209)



1x - TNR3 Extend Flange Lt
(3310130) (Green)

1x - 1/8" Drill Bit
(9300183)

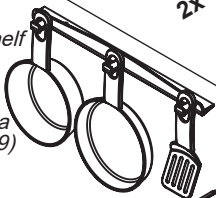


9x - TNR 2 Slide Elbow
(3310121) (Green)

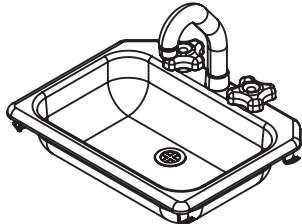
2x - Flower Box Set
(3320401)



1x - Utensils Shelf
(9320791)



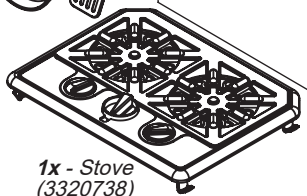
1x - Pot Pan Spatula
(9320889)



22 x - Special Weather
Caps (9332857)



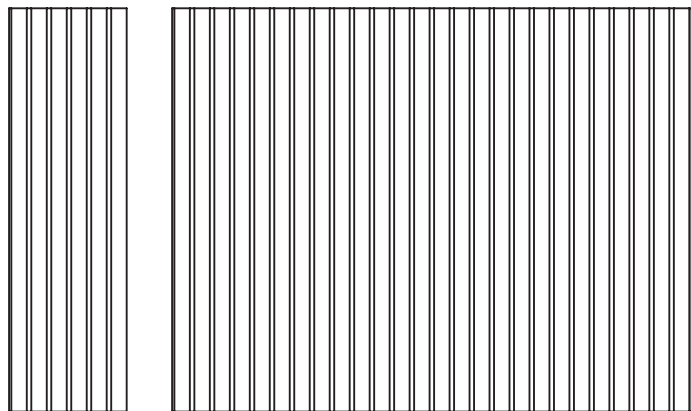
1x - Stove
(3320738)



10x - #6 x 10mm Blunt
Point Pan Screw
(52402902)

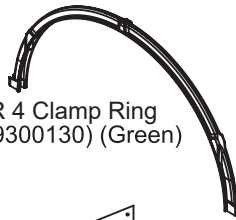
8x - Mount Clips
(9320088)

1x - Faucet (9320881)
1x - Sink Knob (9320482)
1x - Sink Knob (9320382)
1x - Sink (9330908)

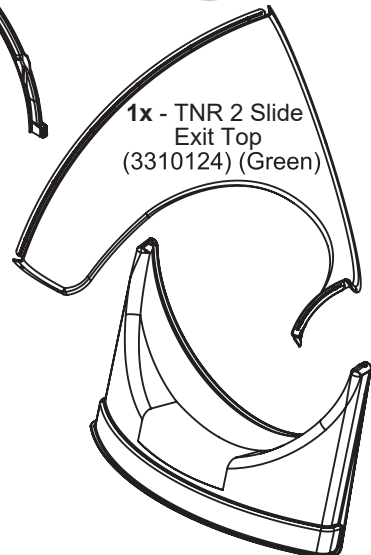


2x - Cozy Escape Triangle Canopy Set
(9759045)

10x - TNR 4 Clamp Ring
(9300130) (Green)



1x - TNR 2 Slide
Exit Top
(3310124) (Green)



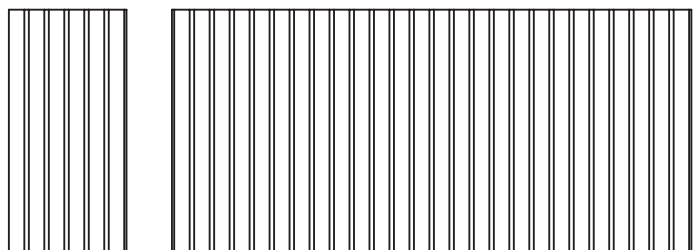
1x (9207713)
Door Catch



2x (9207711)
Door Handle



1x - TNR3 Short Exit
(3310132) (Green)



Cozy Escape Wave ASA Roof Panel Set

1x - 1124mmX1067mm PVC Roof Panel (9332853)

1x - 370mmX1067mm PVC Roof Panel (9332854)

1x - 1124mmX650mm PVC Roof Panel (9332855)

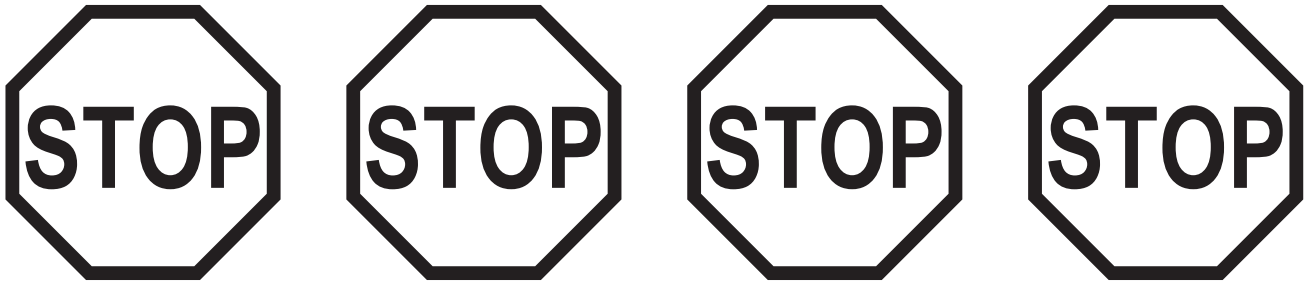
1x - 370mmX650mm PVC Roof Panel (9332856)



parts.kidkraft.com

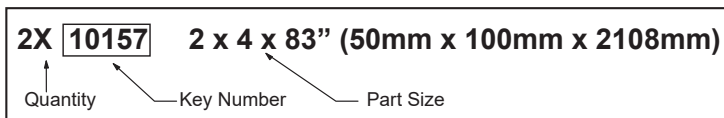
customerservice@kidkraft.com
1.800.933.0771
972.385.0100

Step 1: Inventory Parts - Read This Before Starting Assembly



Inventory should be completed before starting installation. KidKraft will not cover costs of any additional installation trip due to missing or damaged pieces.

- A. This is the time for you to inventory all your hardware, wood and accessories, referencing the parts identification sheets. This will assist you with your assembly.
- The wood pieces will have the key number stamped on the ends of the boards. Organize the wood pieces by step, as per the key numbering system below.



- B. Read the assembly manual completely, paying special attention to ANSI warnings; notes; and safety/maintenance information on pages 1 - 8.

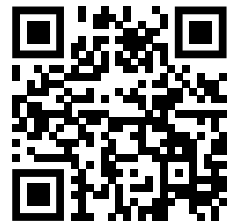
**If there are missing or damaged pieces,
please contact the KidKraft Consumer Engagement team
before going back to the retailer.**

Order Replacement Parts 24/7

You can order replacement parts for this product 24 hours a day / 7 days a week:

Outdoor Swingsets and Playhouse Parts Ordering
<https://parts.kidkraft.com/partsorderemail>

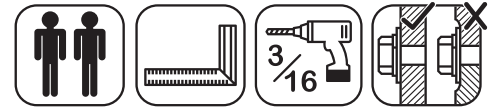
If you have assembly or product questions, please refer to the front cover for direct contact information for our Consumer Engagement team OR you can also use this QR code with your smartphone for common questions and contact information.



KidKraft Help Center <https://kidkraft.zendesk.com/hc/en-us/>



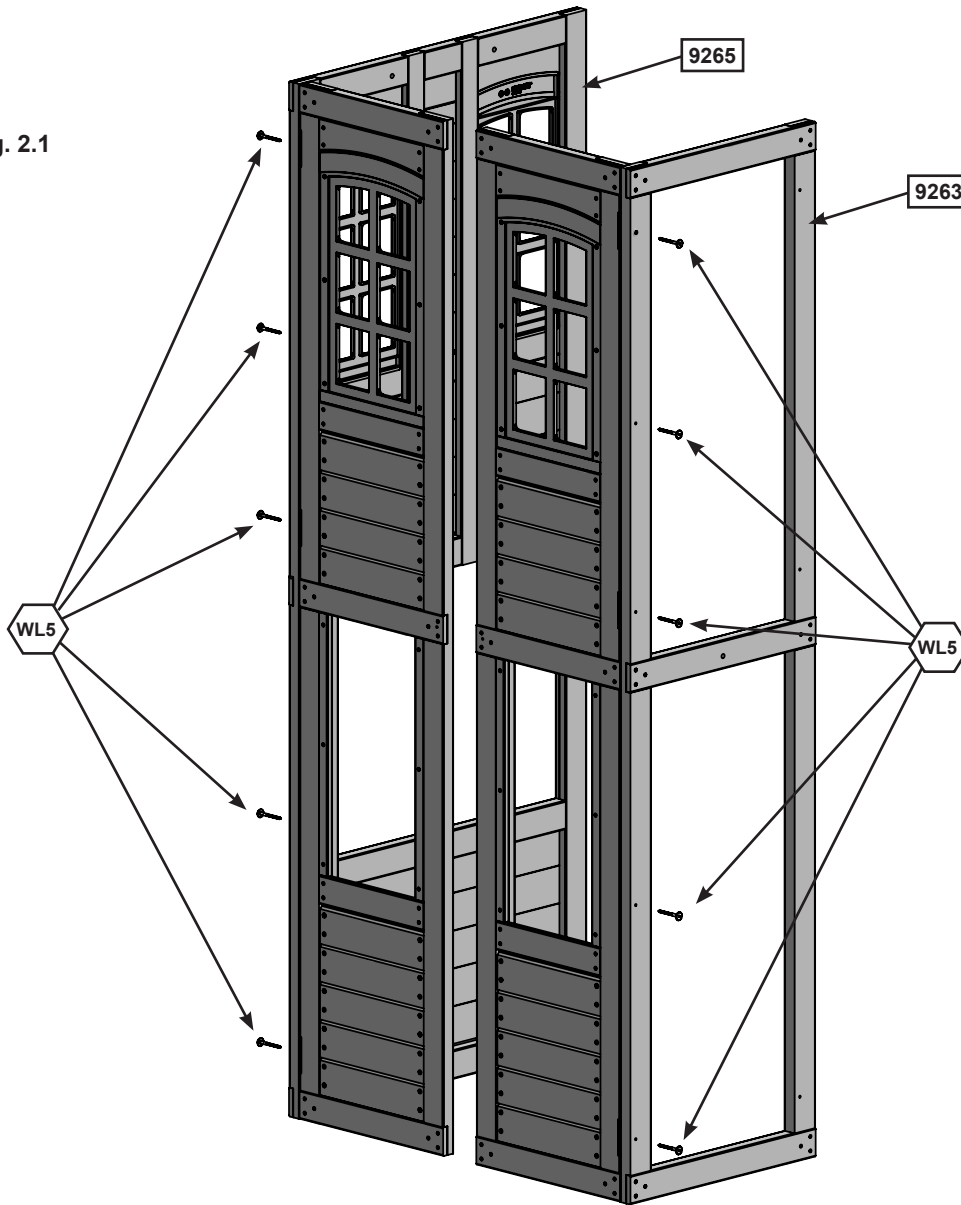
Step 2: Frame Assembly Part 1



A: With a helper, stand the (9263) Folding Panel Assembly Right A in the upright position and unfold, checking to make sure the panel assembly is square. Pre-drill using a 3/16" drill bit, then install 5 (WL5) 1/4 x 2- 1/2" Wafer Lags to secure the panel. (fig 2.1)

B: Repeat step A to secure the (9265) Folding Panel Assembly Left B. (fig 2.1)

Fig. 2.1



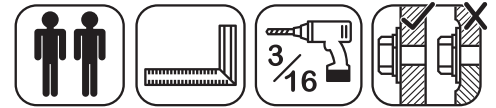
Wood Parts

- 1 x 9263 Folding Panel Assembly Right A 2 1/2 x 21 15/16 x 90"
- 1 x 9265 Folding Panel Assembly Left B 2 1/2 x 34 1/8 x 90"

Hardware

- 10 x WL5 1/4 x 2-1/2" Wafer Lag

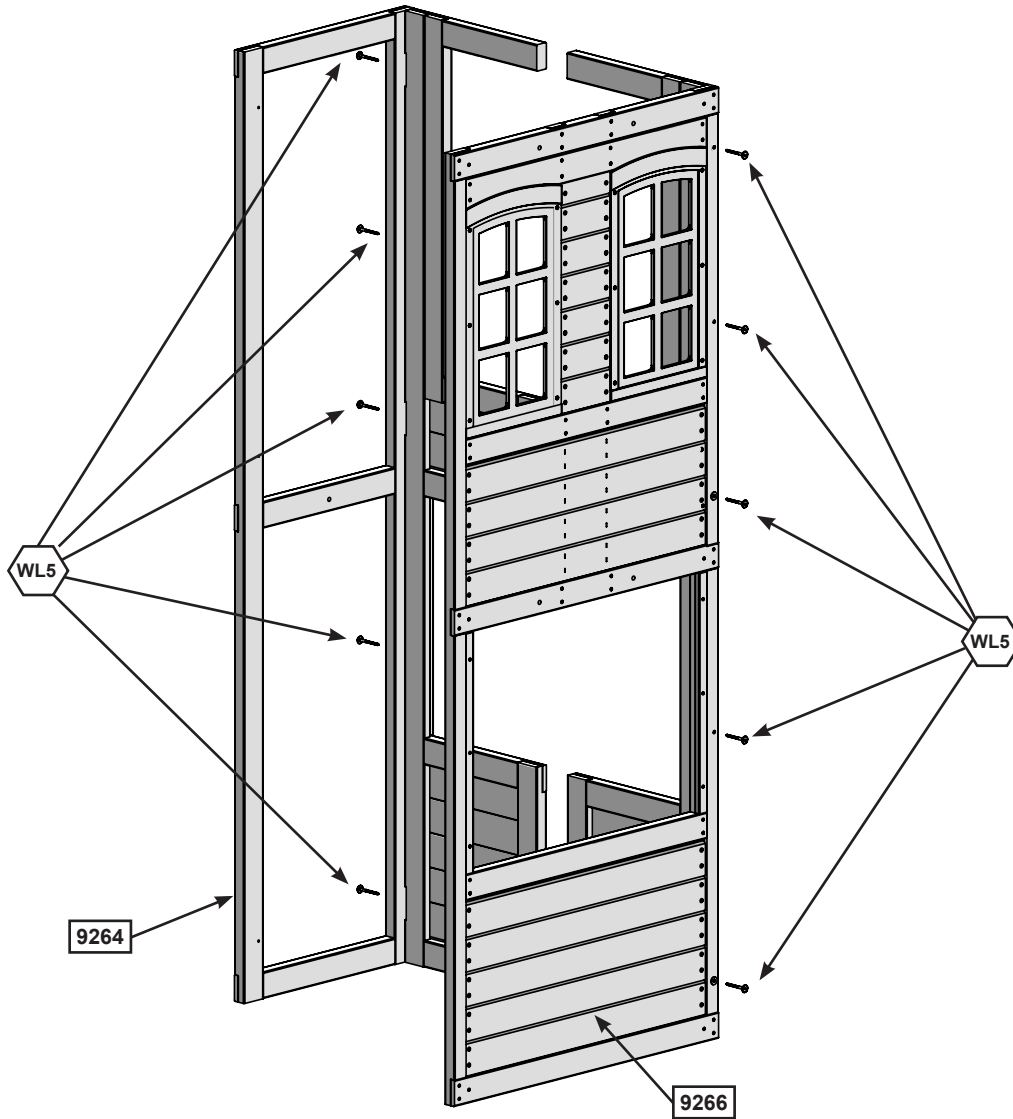
Step 2: Frame Assembly Part 2



C: With a helper, stand the (9264) Folding Panel Assembly Left A in the upright position and unfold, checking to make sure the panel assembly is square. Pre-drill using a 3/16" drill bit, then install 5 (WL5) 1/4 x 2- 1/2" Wafer Lags to secure the panel. (fig 2.2)

D: Repeat step C to secure the (9266) Folding Panel Assembly Right B. (fig 2.2)

Fig. 2.2



Wood Parts

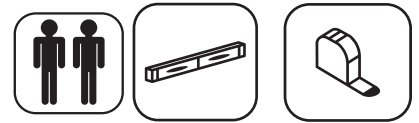
- 1 x **9264** Folding Panel Assembly Left A 2 1/2 x 21 15/16 x 90"
- 1 x **9266** Folding Panel Assembly Right B 2 1/2 x 34 1/8 x 90"

Hardware

- 10 x **WL5** 1/4 x 2-1/2" Wafer Lag



Step 3: Join Frame Assemblies Part 1



A: From inside the assembly, halfway up and tight to both end walls, place 1 (9462) Side Joist against (9265) Folding Panel Assembly Left B and (9264) Folding Panel Assembly Left A, making sure that it's 5/8" below the panel opening. Loosely attach (9462) Side Joist with 3 (H3) 1/4 x 2-1/2" Hex Bolts (with flat washer and t-nut). Bolts are installed from inside the assembly. Make sure (9462) Side Joist is level then attach with 2 (S11) #8 x 2" Wood Screws and tighten bolts. (fig. 3.1 & 3.2 & 3.3)

B: Repeat Step A to attach 1 (9462) Side Joist to (9263) Folding Panel Assembly Right A and (9266) Folding Panel Assembly Right B. (fig. 3.1 & 3.2 & 3.3)

Fig. 3.1
Top View

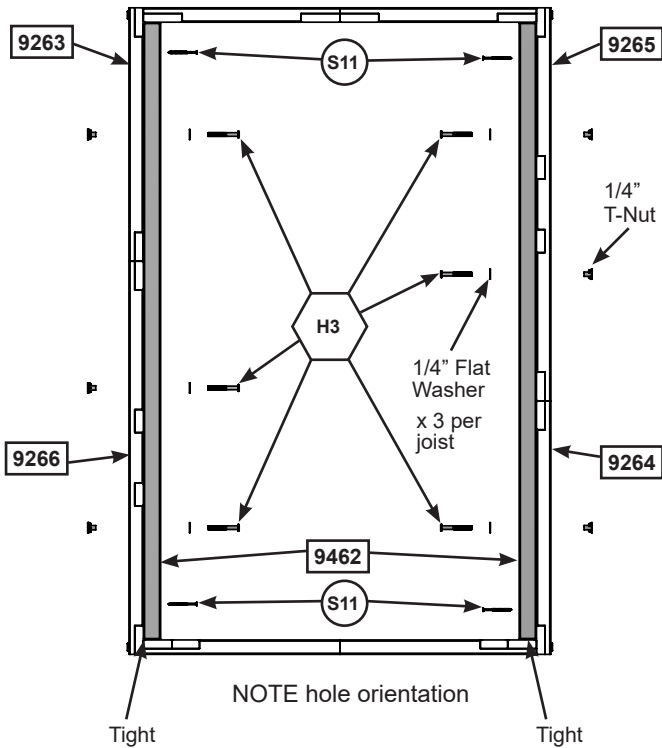


Fig. 3.2

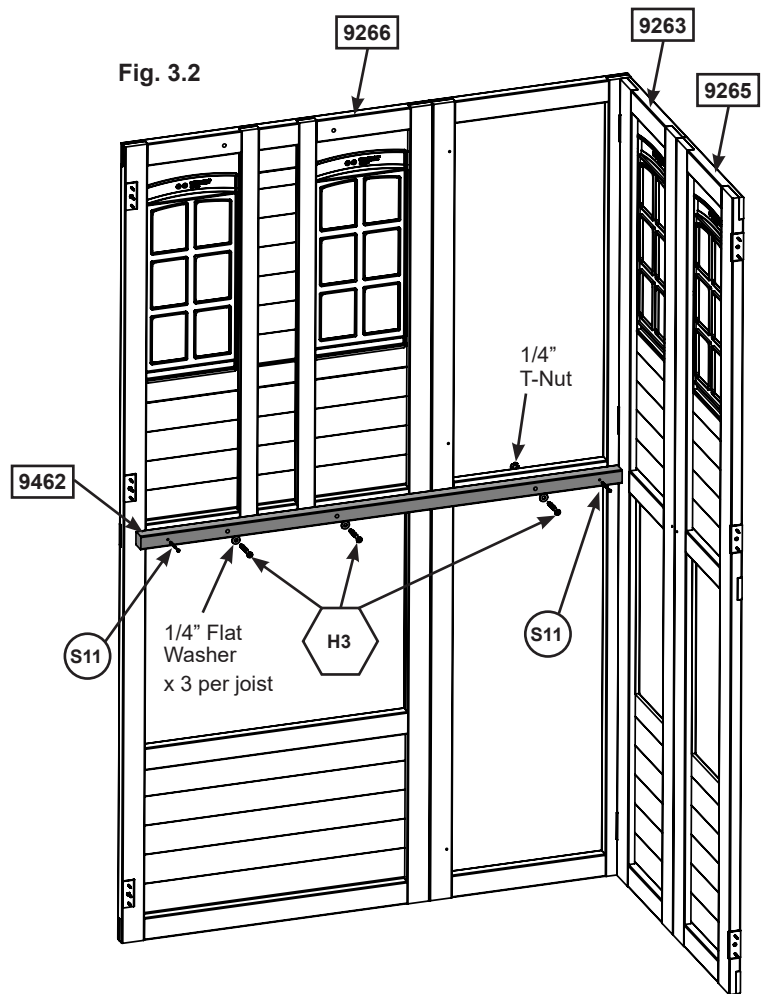
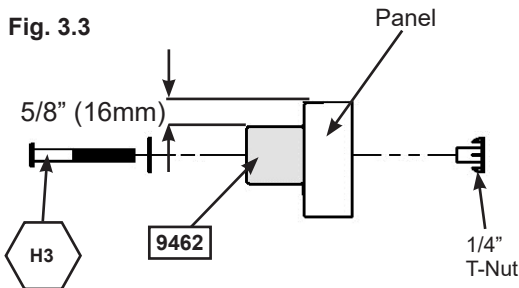


Fig. 3.3



Wood Parts

2 x 9462 Side Joist 1 1/4x1 1/2x53 7/16"

Hardware

4 x S11 #8 x 2" Wood Screw
6 x H3 1/4 x 2-1/2" Hex Bolt
(1/4" flat washer, 1/4" t-nut)

Step 3: Join Frame Assemblies Part 2



C: Place 1 (9460) Floor Joist along the bottom of the front and back walls so they are flush to the bottom. Check to make sure that the joists are level then attach each joist using 5 (S7) #12 x 2" Pan Screws. (fig.3.4, 3.5 and 3.7)

D: Place 1 (9461) Floor Joist Short along each end wall, between the (9460) Floor Joists. Check to make sure they are level and flush to the bottom, then attach using 4 (S7) #12 x 2" Pan Screws per side. (fig. 3.4, 3.6 and 3.8)

Fig. 3.4

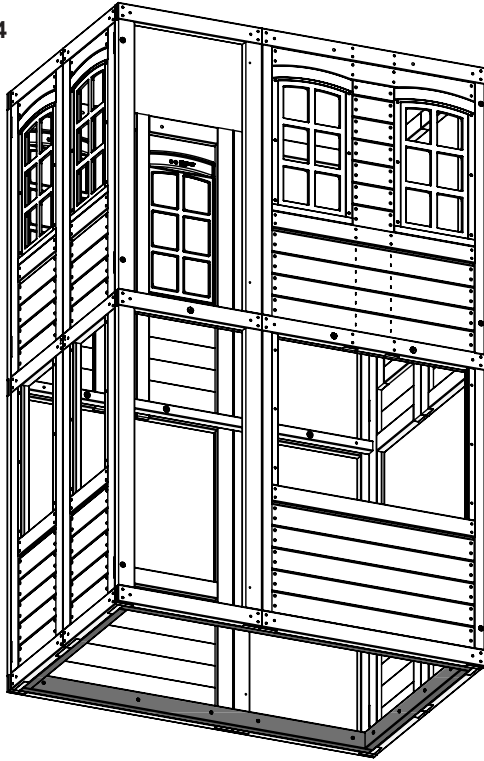
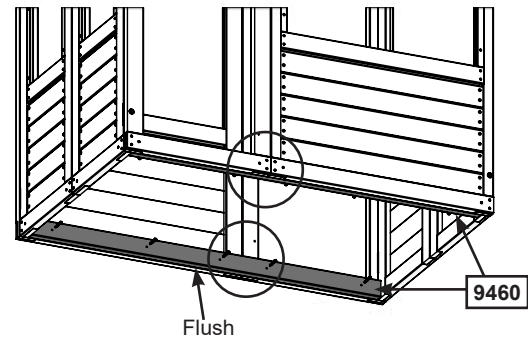
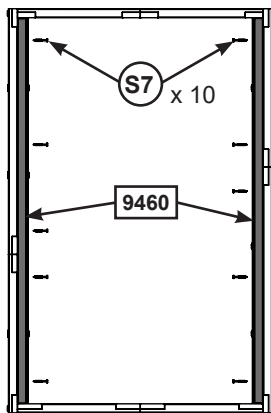


Fig. 3.5



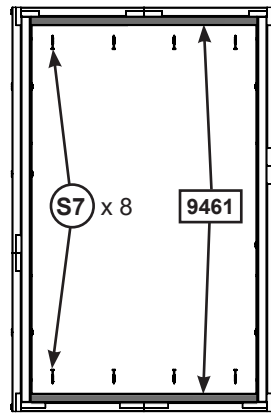
Note hole orientation in Fig. 3.7, 3 screws into large panel and 2 into the small panel.

Fig. 3.7



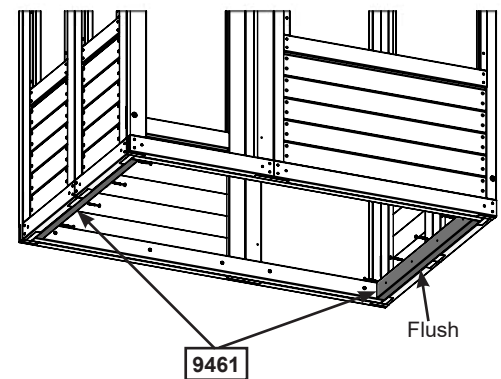
Bottom View

Fig. 3.8



Bottom View

Fig. 3.6



Wood Parts

- 2 x Floor Joist 1 1/4 x 1 1/2 x 53 7/16"
- 2 x Floor Joist Short 1 x 1 1/2 x 31 11/16"

Hardware

- 18 x #12 x 2" Pan Screw



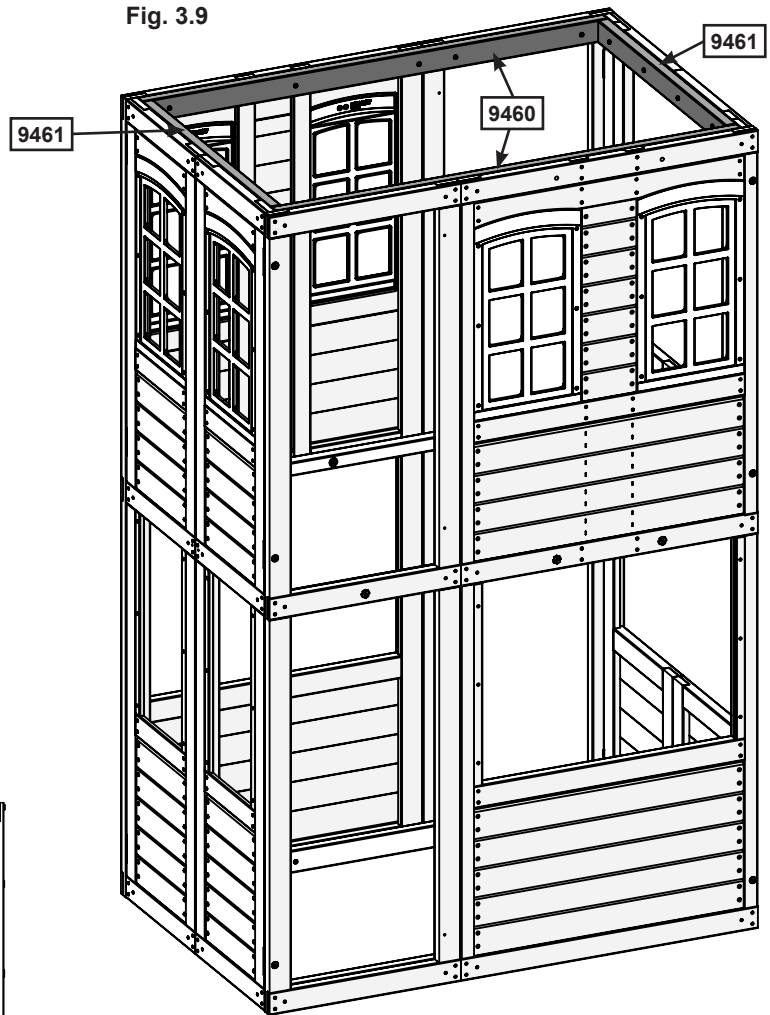
Step 3: Join Frame Assemblies Part 3



E: Place 1 (9460) Floor Joist along the top of the front and back walls so they are flush to the top. Check to make sure that the joists are level then attach each joist using 5 (S7) #12 x 2" Pan Screws. (fig.3.9 and 3.10)

F: Place 1 (9461) Floor Joist Short along the top of each end wall, between the (9460) Floor Joists. Check to make sure they are level and flush to the top, then attach using 4 (S7) #12 x 2" Pan Screws per side. (fig. 3.9 and 3.11)

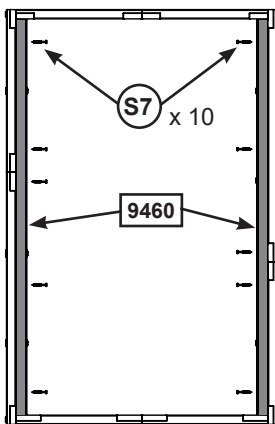
Fig. 3.9



Note hole orientation

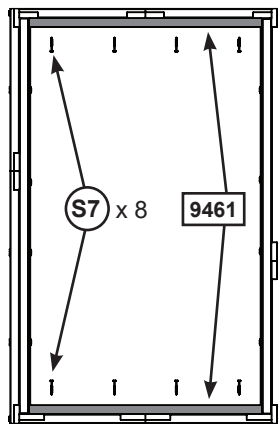
Top View

Fig. 3.10



Note hole orientation

Fig. 3.11



Wood Parts

- 2 x 9460 Floor Joist 1 1/4 x 1 1/2 x 53 7/16"
- 2 x 9461 Floor Joist Short 1 x 1 1/2 x 31 11/16"

Hardware

- 18 x S7 #12 x 2" Pan Screw

Step 4: Floor Assembly Part 1

A: Place 1 (9463) Floor Board tight to one End Wall and 1 (9518) Floor Board B tight to the opposite End Wall. Attach each board to the (9462) Side Joists using 4 (S20) #8 x 1-3/8" Wood Screws per board. (fig. 4.1 & 4.2)

B: Place (9464) Floor Support A tight to the bottom of each Floor Board, centred over the pilot holes on the End Walls, then attach with 2 (S4) #8 x 3" Wood Screws per side. Attach (9463) Floor Board and (9518) Floor Board B to (9464) Floor Support A with 2 (S20) #8 x 1-3/8" Wood Screws per board. (fig. 4.1, 4.3 , 4.4)

Fig. 4.2

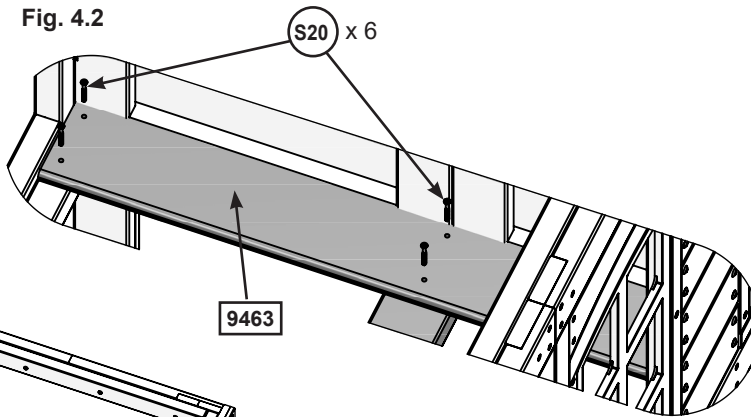


Fig. 4.1

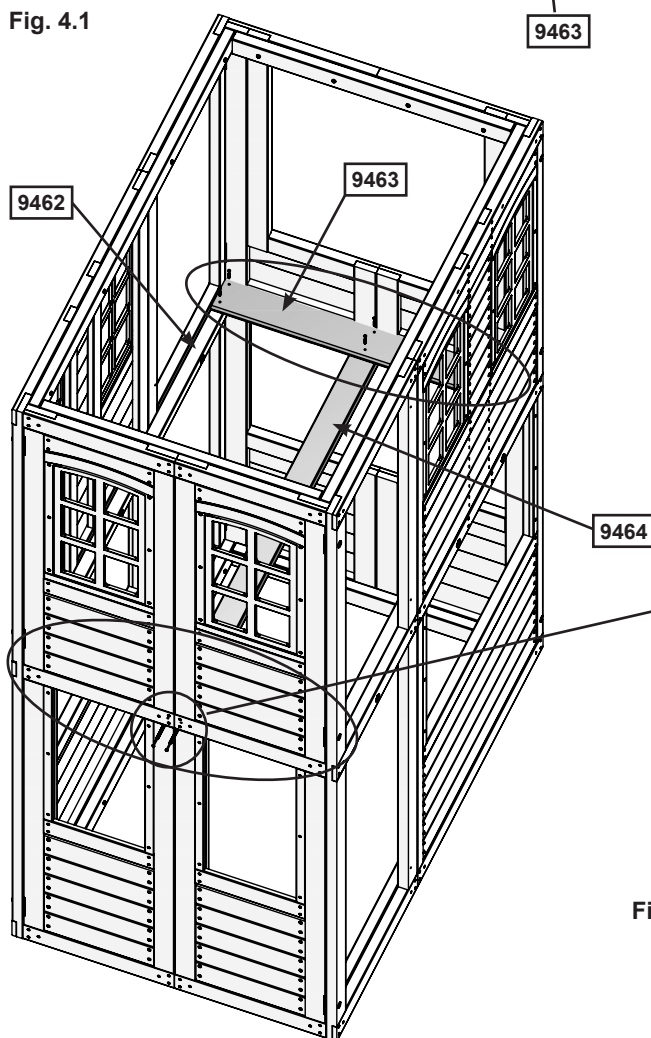


Fig. 4.3

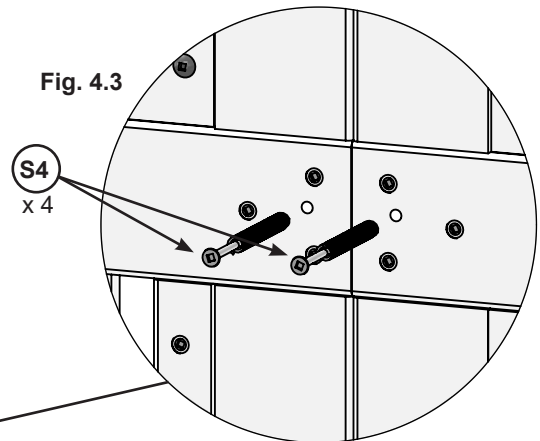
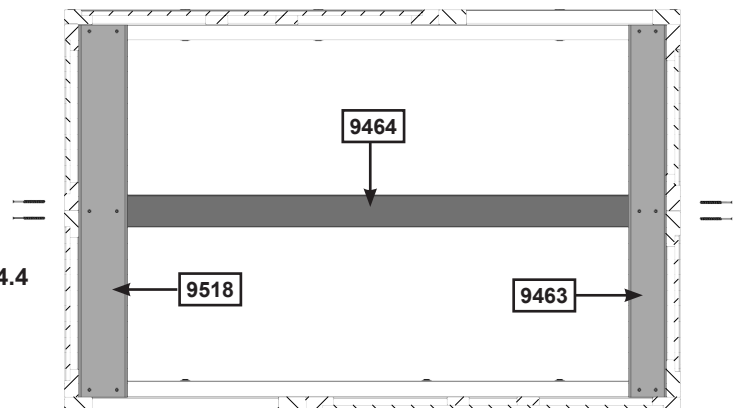


Fig. 4.4



Wood Parts

- 1 x **9464** Floor Support A 1 1/4 x 2 1/2 x 53 1/2"
- 1 x **9463** Floor Board 9/16 x 4 7/16 x 34"
- 1 x **9518** Floor Board B 9/16 x 4 7/16 x 34"

Hardware

- 4 x **S4** #8 x 3" Wood Screw
- 12 x **S20** #8 x 1-3/8" Wood Screw

europecustomerservice@kidkraft.com
+31 20 305 8620
M-F from 09:00 to 17:30 (GMT+1)

parts.kidkraft.eu



Step 4: Floor Assembly Part 2

C: Evenly space the remaining 10 (9463) Floor Boards and attach each board using 6 (S20) #8 x 1-3/8" Wood Screws. (fig. 4.5 & 4.6)

Top View

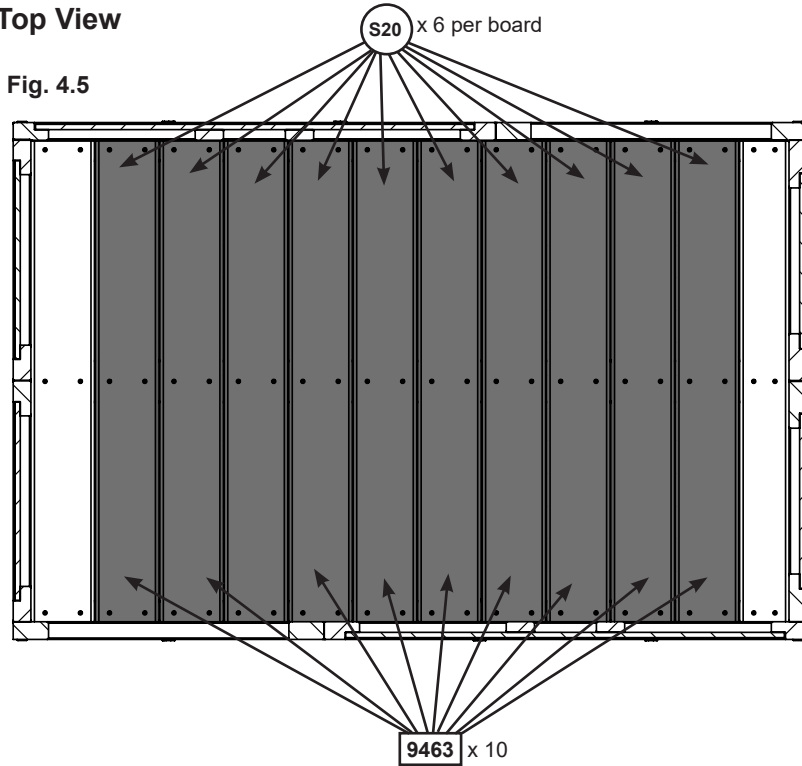
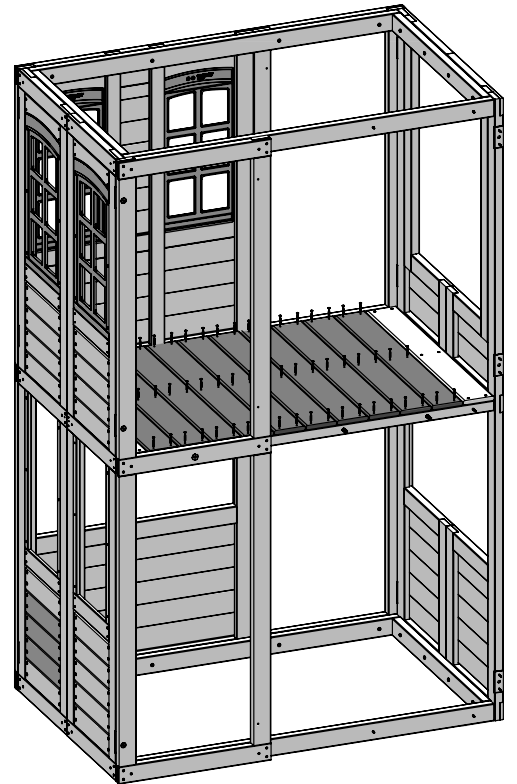


Fig. 4.6



Wood Parts

10 x 9463 Floor Board 9/16 x 4 7/16 x 34"

Hardware

60 x S20 #8 x 1-3/8" Wood Screw

Step 5: Door Assembly Part 1

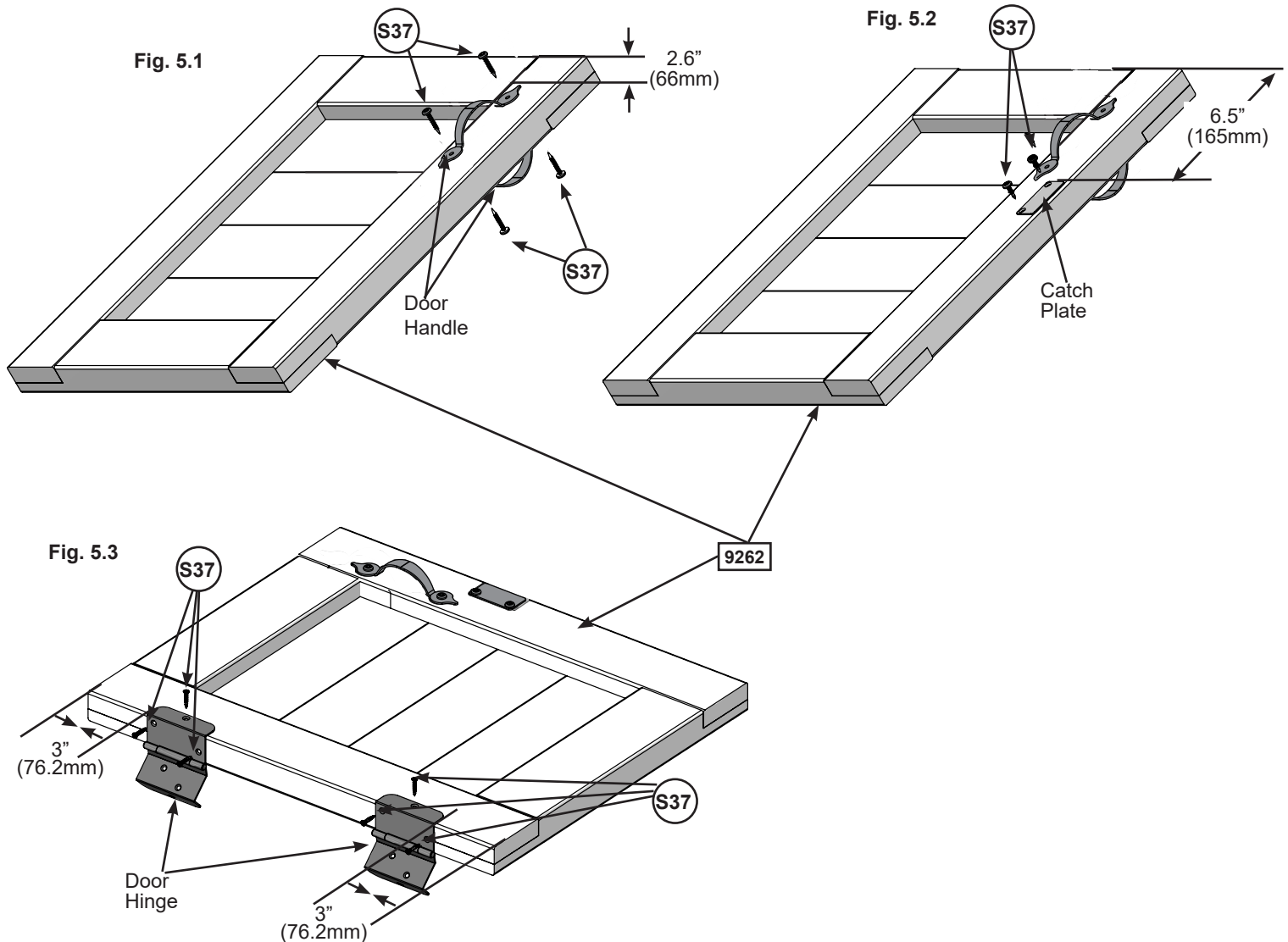


A: On the outside edge of the (9262) Door, measure 2.6" (66mm) down from the top of the door and install 1 Door Handle using 2 (S37) #7 x 5/8" Pan Screws. (fig. 5.1)

B: At the opposite end of the door panel, measure 3" (76.2mm) down from the top of the door and install 1 Door Hinge using 3 (S37) #7 x 5/8" Pan Screws. Measure 3" (76.2mm) up from the bottom of the Door Panel to install a bottom Door Hinge using 3 (S37) #7 x 5/8" Pan Screws. (fig 5.3)

C: On the inside edge of (9262) Door, measure 2.6" (66mm) down from the top of the door and install 1 Door Handle using 2 (S37) #7 x 5/8" Pan Screws. (fig. 5.1)

D: Measure 6.5" (165mm) inches down from the top of the inside edge to install a Catch Plate using 2 (S37) #7 x 5/8" Pan Screws, making sure that Catch Plate is flush to the edge of the door frame. (fig 5.2)



Wood Parts

1 x 9262 Door 1 x 15 7/8 x 19 7/16"

Hardware

12 x S37 #7 x 5/8" Pan Screw

Other Parts

2 x Door Handle
2 x Door Hinge
1 x Catch Plate



Step 5: Door Assembly Part 2

E: Install 1 Door Bumper using 1 (S0) #8 x 7/8" Truss Screw. (Fig. 5.4)

F: In the opening for the door put Dutch Door Assembly in place, measuring to ensure that it is 5/8" (15.9mm) up from the bottom frame (fig. 5.5). Attach hinges to the Wall Frame using 3 (S37) #7 x 5/8" Pan Screws per hinge as shown in fig. 5.6 and 5.5.

Fig. 5.4

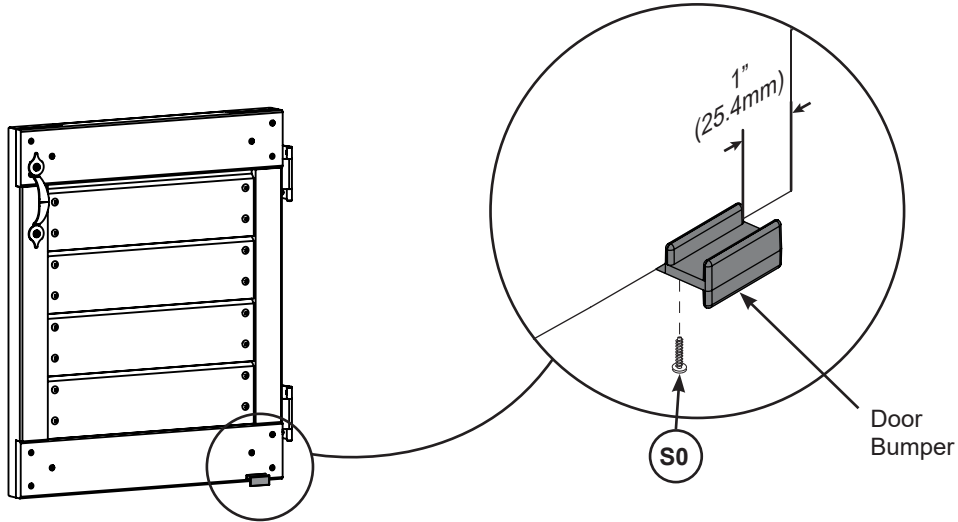


Fig. 5.5

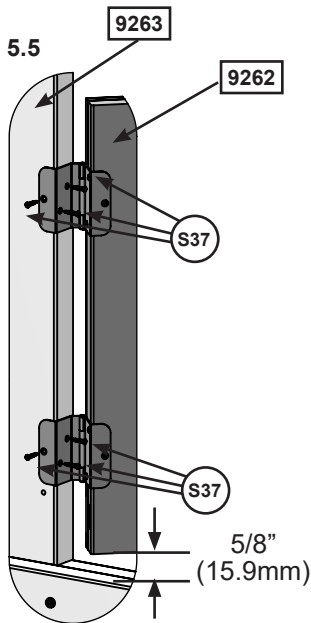
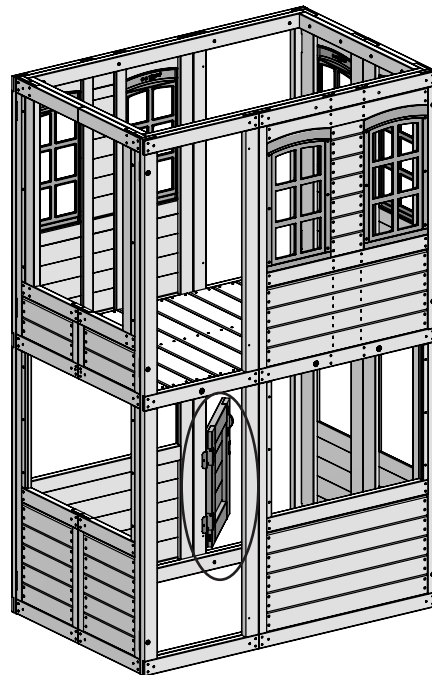




Fig. 5.6



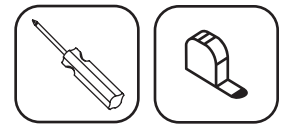
Hardware

- 1 x  #8 x 7/8" Truss Screw
- 6 x  #7 x 5/8" Pan Screw

Other Parts

- 1x Door Bumper

Step 5: Door Assembly Part 3



G: In the notched out opening of (9513) Door Stop attach the Magnetic Catch using 2 (S38) #7 x 1-1/8" Pan Screws. (fig. 5.7)

Important: Use a hand held screw driver and **DO NOT** over tighten.

H: On the inside of the assembly, attach (1913) Door Stop to (9263) Folding Panel Assembly Right A with 2 (S11) #8 x 2" Wood Screws, making sure (1913) Door Stop overhangs by 1-1/4" (32mm) and is in position to receive the Catch Plate. (fig. 5.8 , 5.9)

Fig. 5.7

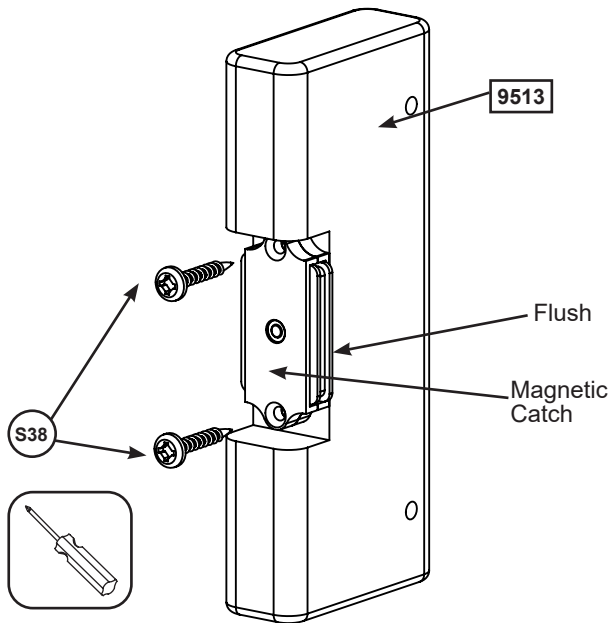


Fig. 5.8

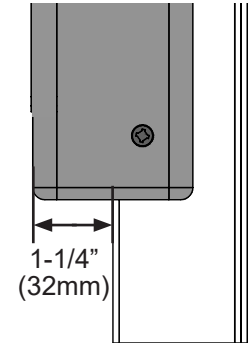
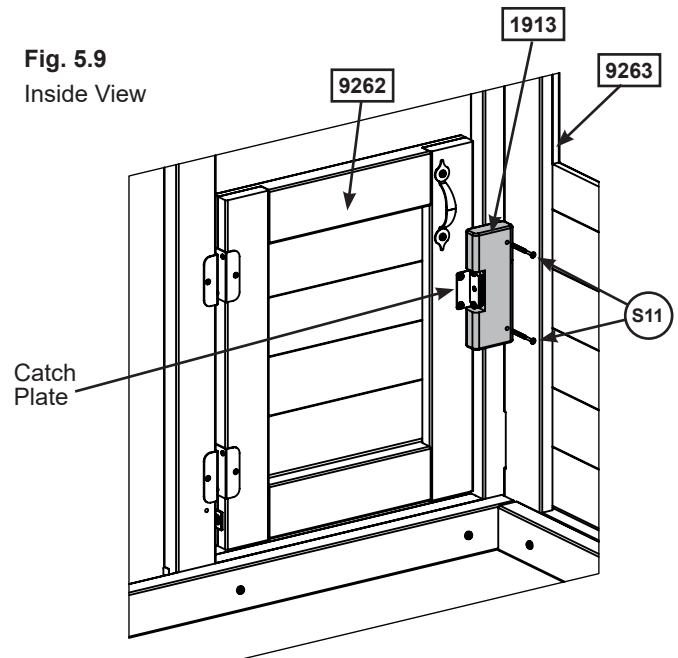


Fig. 5.9
Inside View



Wood Parts

1 x 9513 Door Stop 7/8 x 2 1/2 x 4 15/16"

Hardware

2 x S11 #8 x 2" Wood Screw

2 x S38 #7 x 1-1/8" Pan Screw

Other Parts

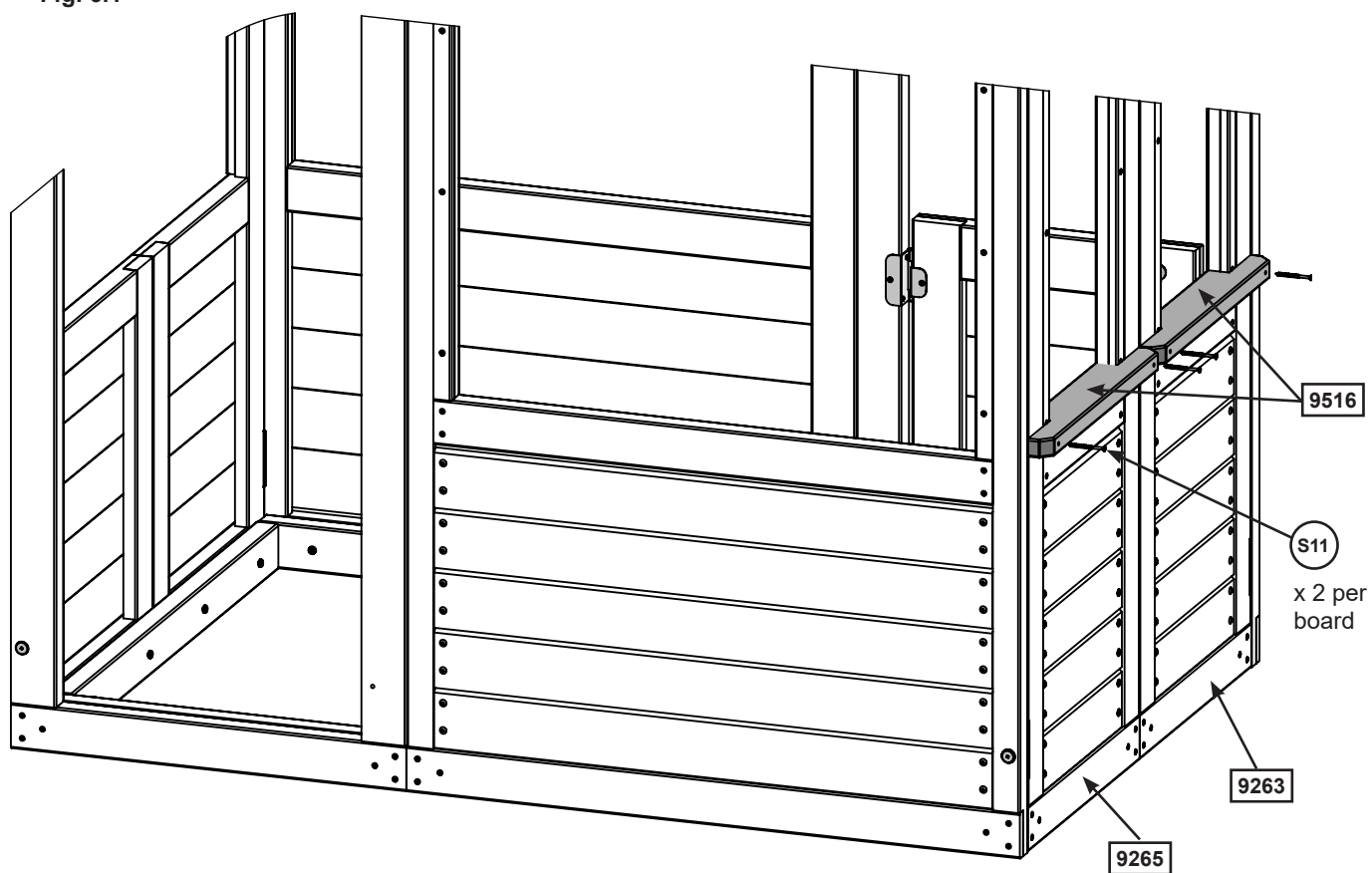
1 x Magnetic Catch



Step 6: Attach Wall Tops Part 1

A: From outside of the assembly, place 1 (9516) Table Top Short in the narrow openings of (9263) Folding Panel Assembly Right A and (9265) Folding Panel Assembly Left B. Attach with 2 (S11) #8 x 2" Wood Screws per board. (fig 6.1)

Fig. 6.1



Wood Parts

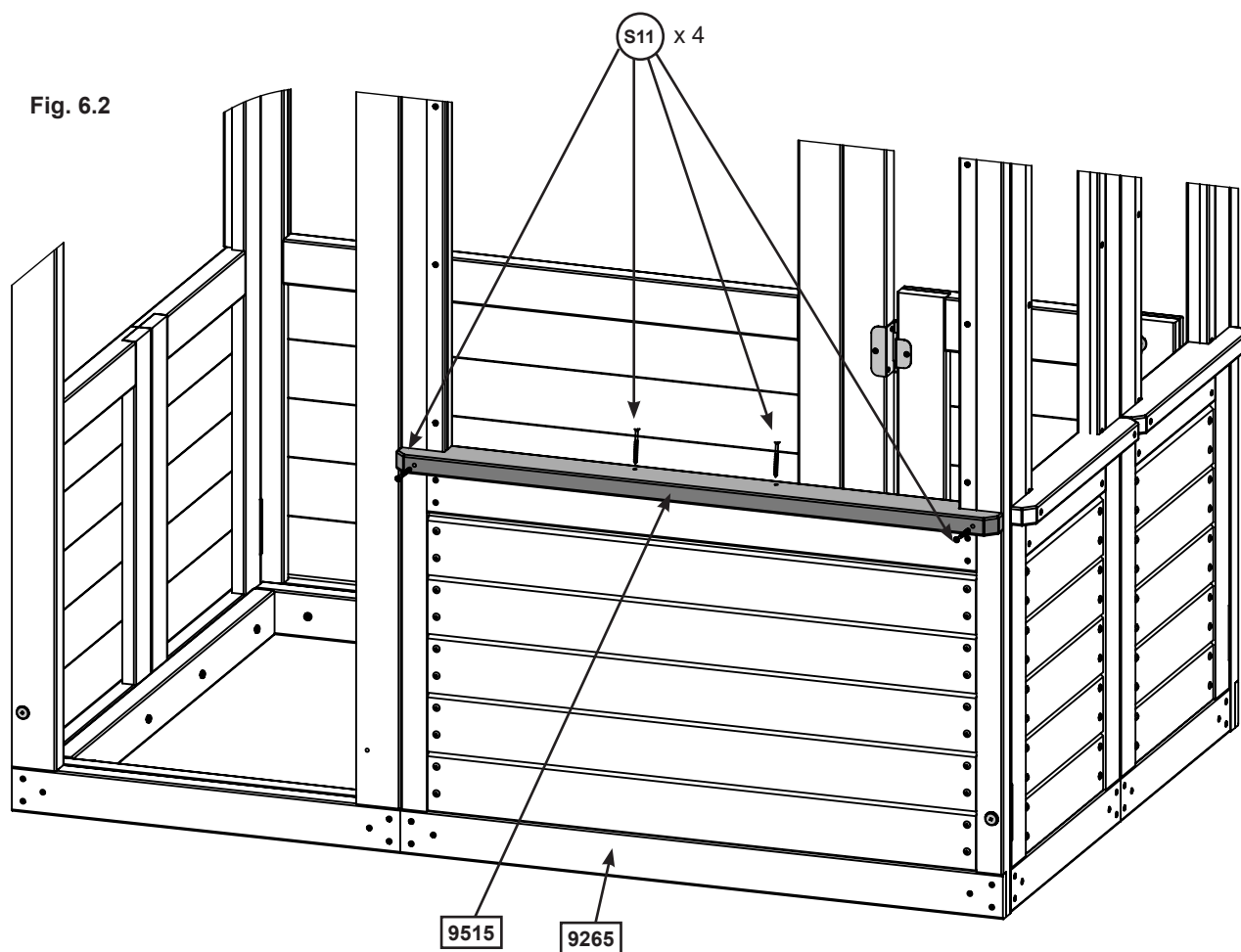
2 x 9516 Table Top Short 7/8 x 2 1/2 x 16 15/16"

Hardware

4 x S11 #8 x 2" Wood Screw

Step 6: Attach Wall Tops Part 2

B: Place (9515) Table Top into the opening on the back of (9265) Folding Panel Assembly Left B and attach using 4 (S11) #8 x 2" Wood Screws. (fig. 6.2)



Wood Parts

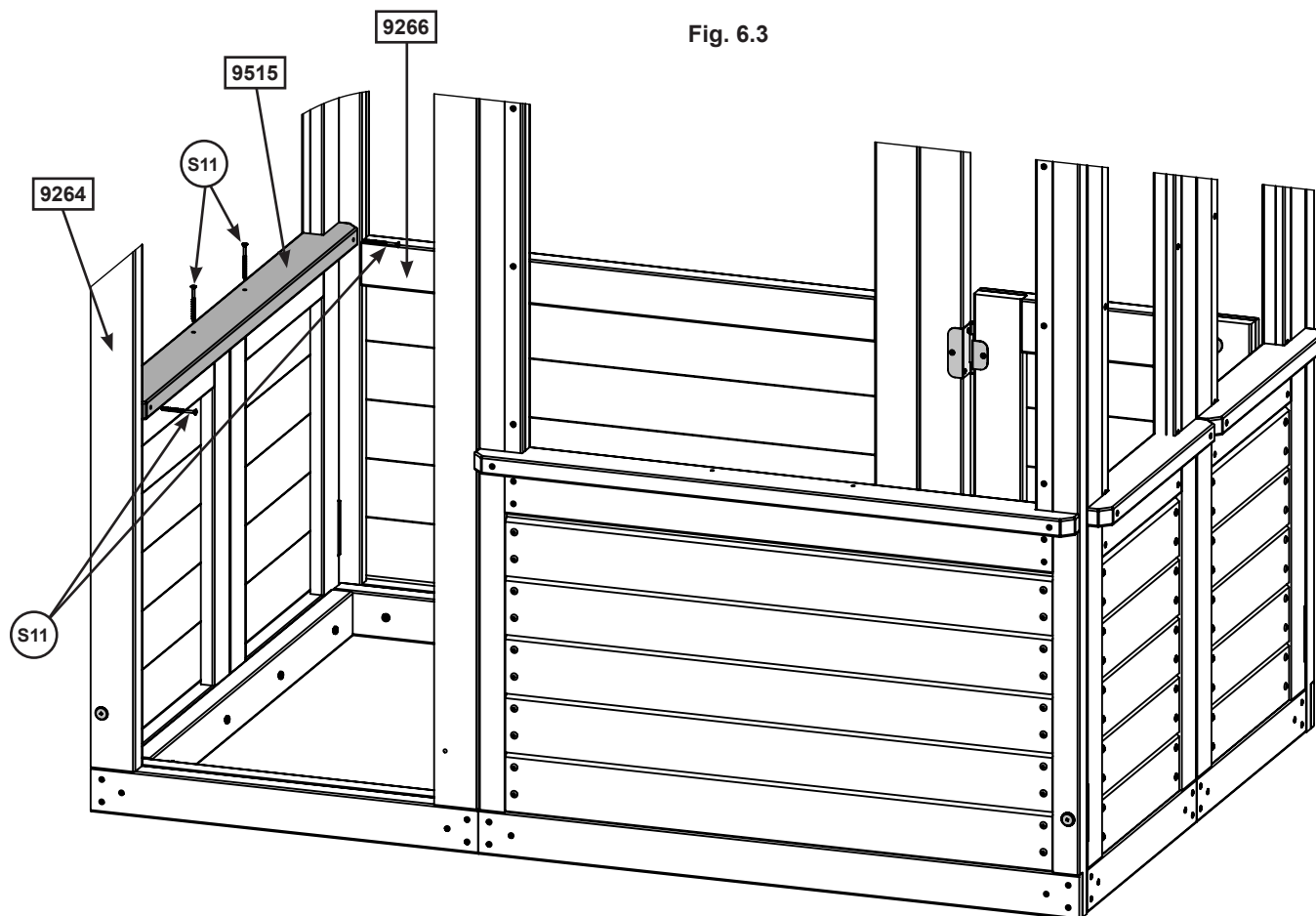
1 x 9515 Table Top 7/8 x 2 1/2 x 34"

Hardware

4 x S11 #8 x 2" Wood Screw

Step 6: Attach Wall Tops Part 3

C: From inside the assembly, place 1 (9515) Table Top into the end wall opening of (9264) Folding Panel Assembly Left A and (9266) Folding Panel Assembly Right B. Attach using 4 (S11) #8 x 2" Wood Screws as shown in fig. 6.3.



Wood Parts

1 x 9515 Table Top 7/8 x 2 1/2 x 34"

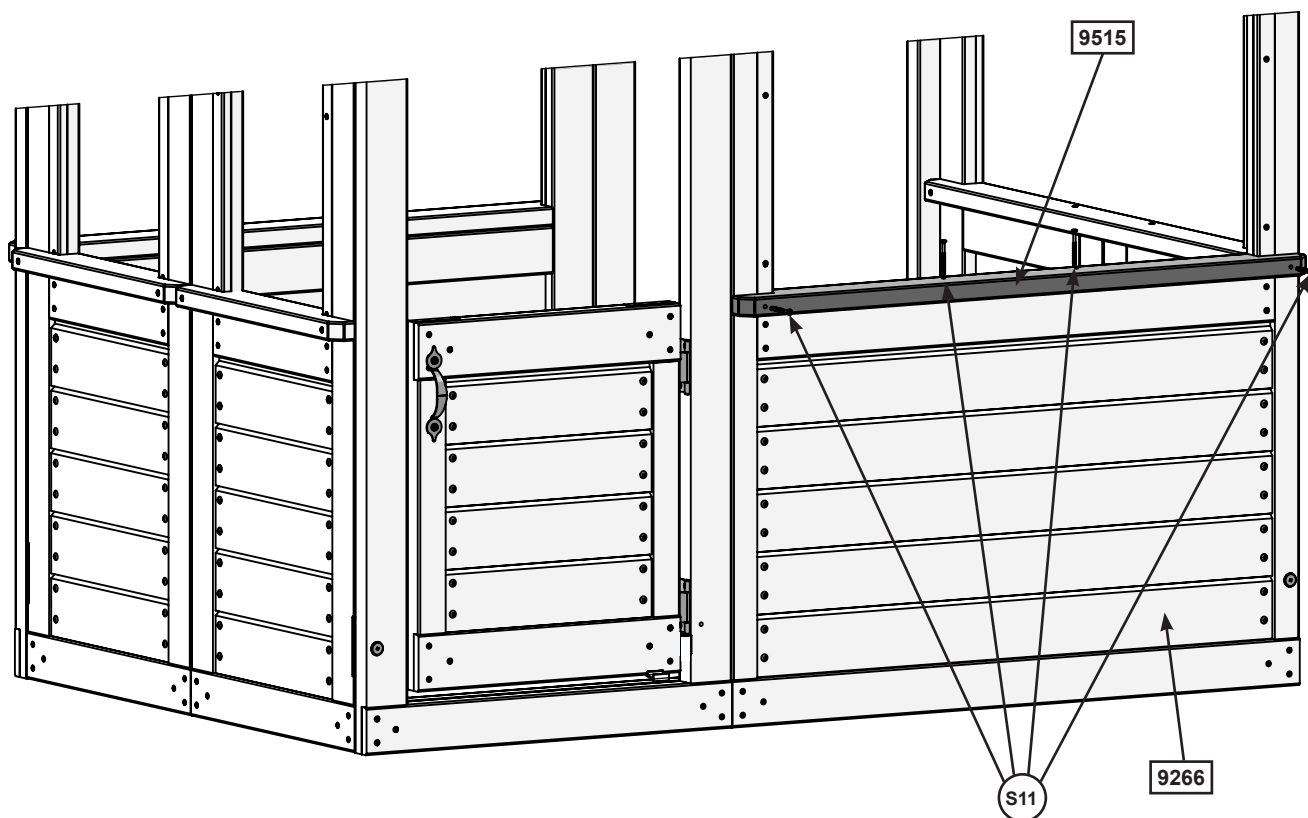
Hardware

4 x S11 #8 x 2" Wood Screw

Step 6: Attach Wall Tops Part 4

D: From outside of the assembly, place 1 (9515) Table Top into the front opening of (9266) Folding Panel Assembly Right B. Attach using 4 (S11) #8 x 2" Wood Screws fig. 6.4.

Fig. 6.4



Wood Parts

1 x 9515 Table Top 7/8 x 2 1/2 x 34"

Hardware

4 x S11 #8 x 2" Wood Screw

Step 7: Counter Assembly

Part 1



A: Flush to each end and to the bottom of (9473) Counter Back attach 1 (9471) Counter Joist per end with 1 (S20) #8 x 1-3/8" Wood Screw per joist. Notice the holes at the top of (9473) Counter Back. (fig. 7.1 & 7.2)

B: Place the remaining 2 (9471) Counter Joists centered over the pilot holes in the middle of (7613) Counter Back and flush to the bottom of the board. Attach in the bottom holes using 1 (S20) #8 x 1-3/8" Wood Screw per joist. (fig. 7.1 & 7.2).

C: Place (9472) Counter Front against (9471) Counter Joists so the ends are flush and the (9471) Counter Joists are centered over the pilot holes. Measure 5/8" (16mm) down from the top of (9472) Counter Front on both ends and attach to the (9471) Counter Joists with 4 (S20) #8 x 1-3/8" Wood Screws. (fig. 7.1 & 7.2)

Fig. 7.1

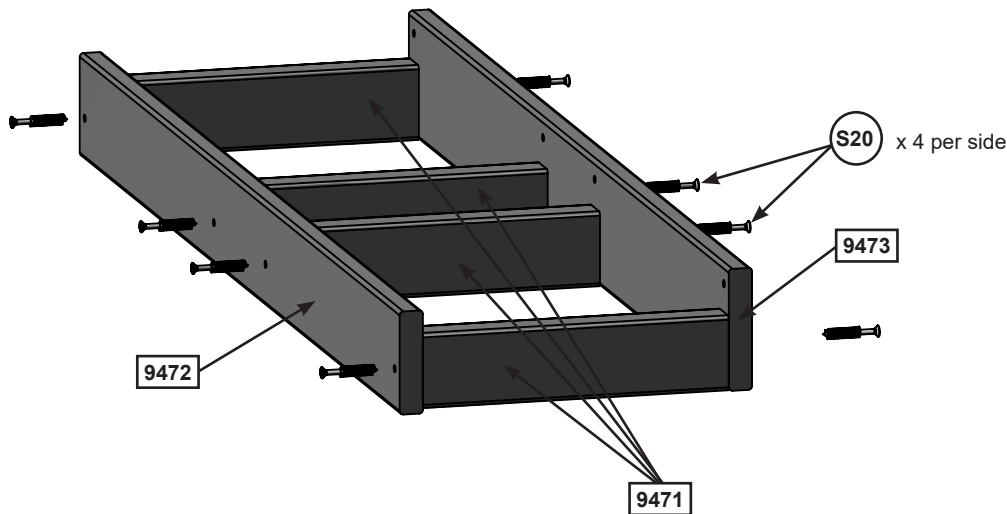
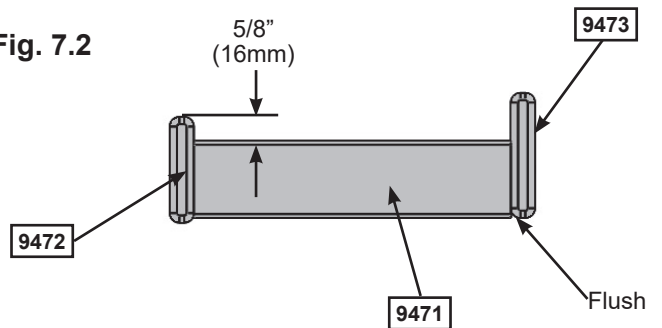


Fig. 7.2



Wood Parts

- 4 x 9471 Counter Joist 1 x 2 x 8 1/4"
- 1 x 9472 Counter Front 9/16 x 2 3/4 x 32 3/16"
- 1 x 9473 Counter Back 9/16 x 3 1/4 x 32 3/16"

Hardware

- 8 x S20 #8 x 1-3/8" Wood Screw

Step 7: Counter Assembly

Part 2

D: Place 1 (9470) Counter Brace tight to the bottom of each outside (9471) Counter Joist, tight to (9472) Counter Front and attach using 1 (S3) #8 x 2-1/2" Wood Screw per brace. (fig 7.3 & 7.4 & 7.5)

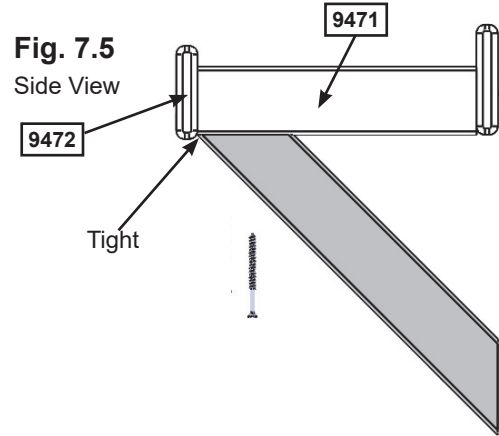


Fig. 7.3

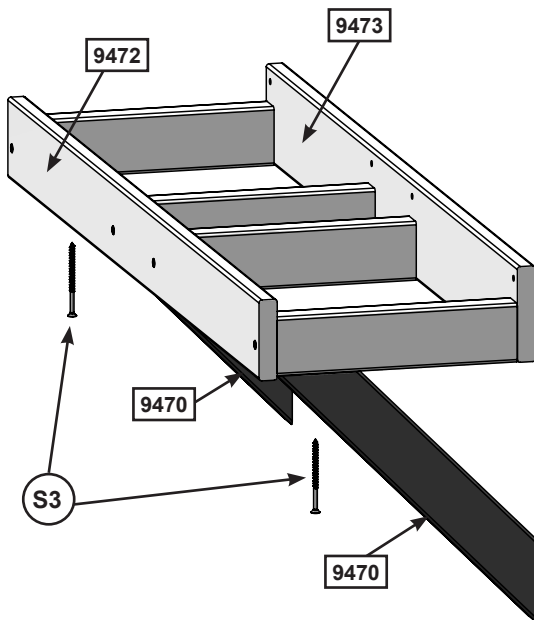
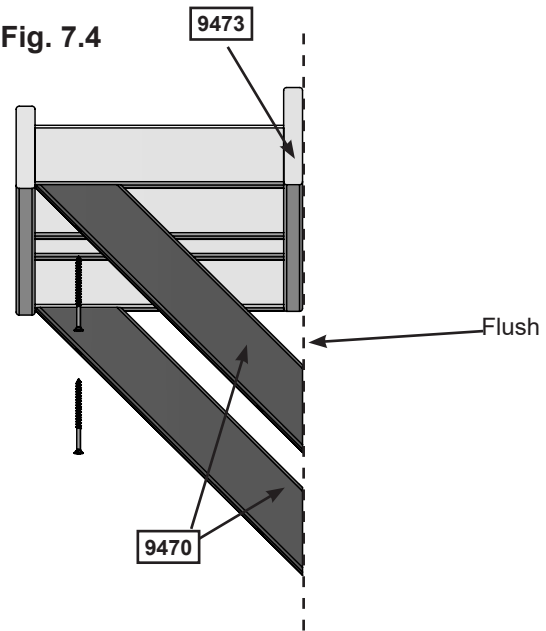


Fig. 7.4



Wood Parts

2 x 9470 Counter Brace 1 x 2 x 12 1/2"

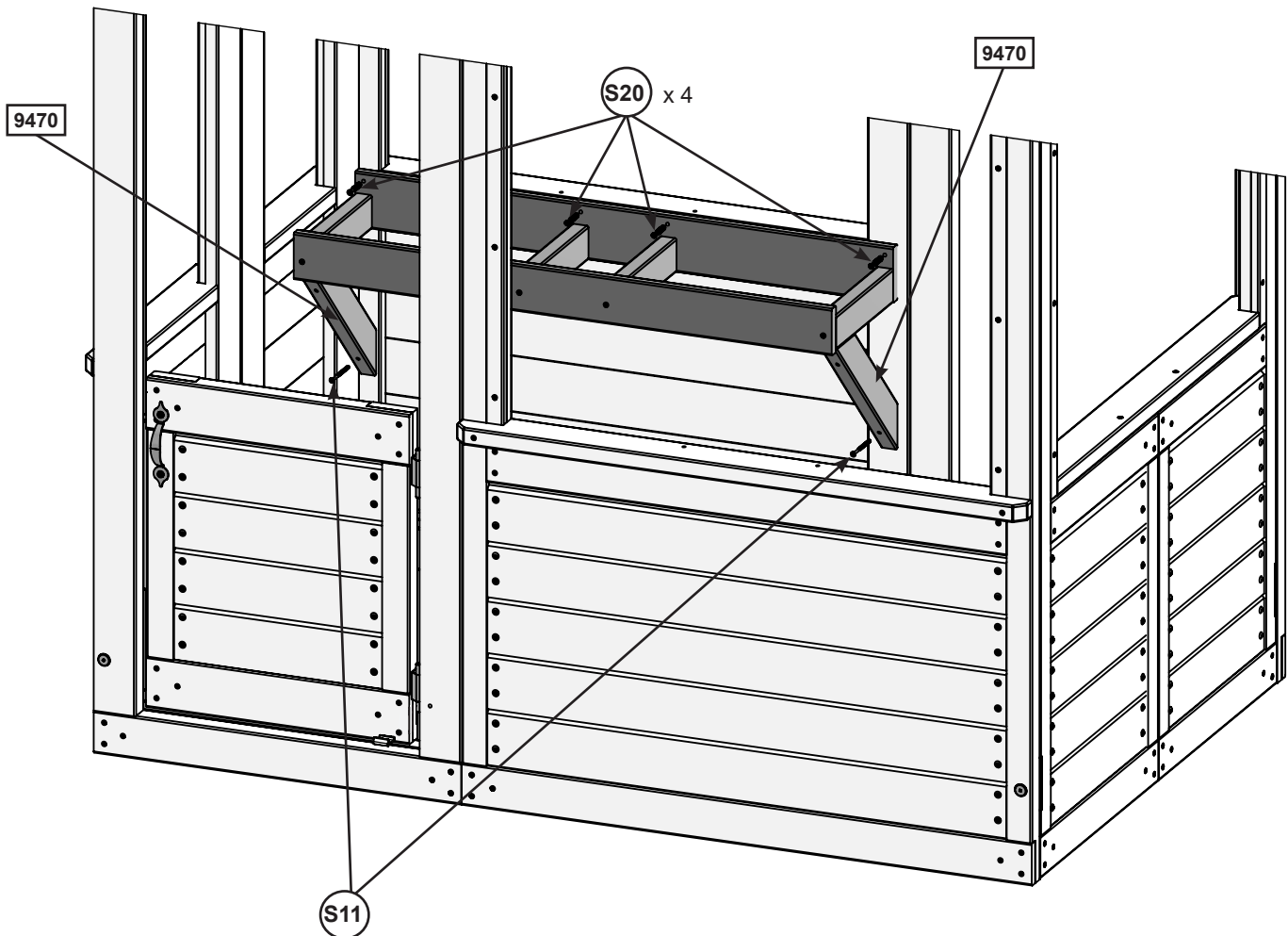
Hardware

2 x S3 #8 x 2-1/2" Wood Screw

Step 8: Attach Counter Assembly Part 1

- A:** On the inside of the assembly place Counter Assembly against the Cafe Wall flush to the opening. (fig 8.1)
- B:** Attach (9473) Counter Back to Cafe Wall with 4 (S20) #8 x 1-3/8" Wood Screws. (fig 8.1)
- C:** Attach both (9470) Counter Braces to Cafe Wall with 1 (S11) #8 x 2" Wood Screw per brace. (fig 8.1)

Fig. 8.1



Hardware

4 x (S20) #8 x 1-3/8" Wood Screw

2 x (S11) #8 x 2" Wood Screw

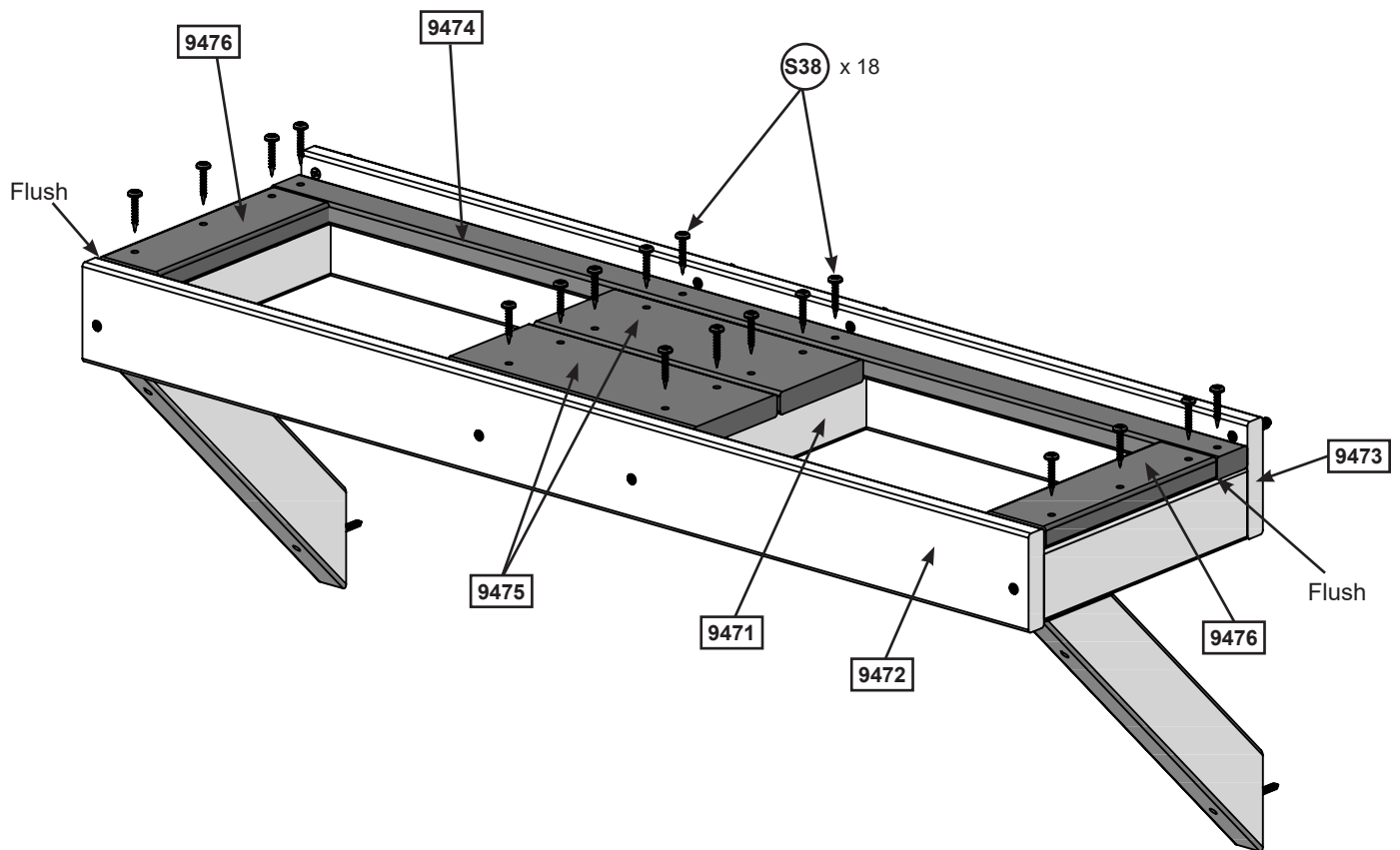
Step 8: Attach Counter Assembly Part 2

D: Tight to (9473) Counter Back attach (9474) Counter Top to each (9471) Counter Joist with 4 (S38) #7 x 1-1/8" Pan Screws. (fig. 8.2)

E: Tight to (9474) Counter Top and flush to the outside edges of the outer (9471) Counter Joists attach 1 (9476) Counter Side per joist with 3 (S38) #7 x 1-1/8" Pan Screws per board. (fig. 8.2)

F: Tight to (9474) Counter Top and centered over the middle 2 (9471) Counter Joists with ends flush to the outside edges, attach 2 (9475) Counter Mid Tops with 4 (S38) #7 x 1-1/8" Pan Screws per board. (fig. 8.2)

Fig. 8.2



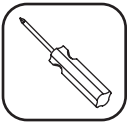
Wood Parts

- 1 x 9474 Counter Top 9/16 x 1 1/4 x 32 3/16"
- 2 x 9475 Counter Mid Top 9/16 x 3 7/16 x 8 3/8"
- 2 x 9476 Counter Side 9/16 x 2 x 6 15/16"

Hardware

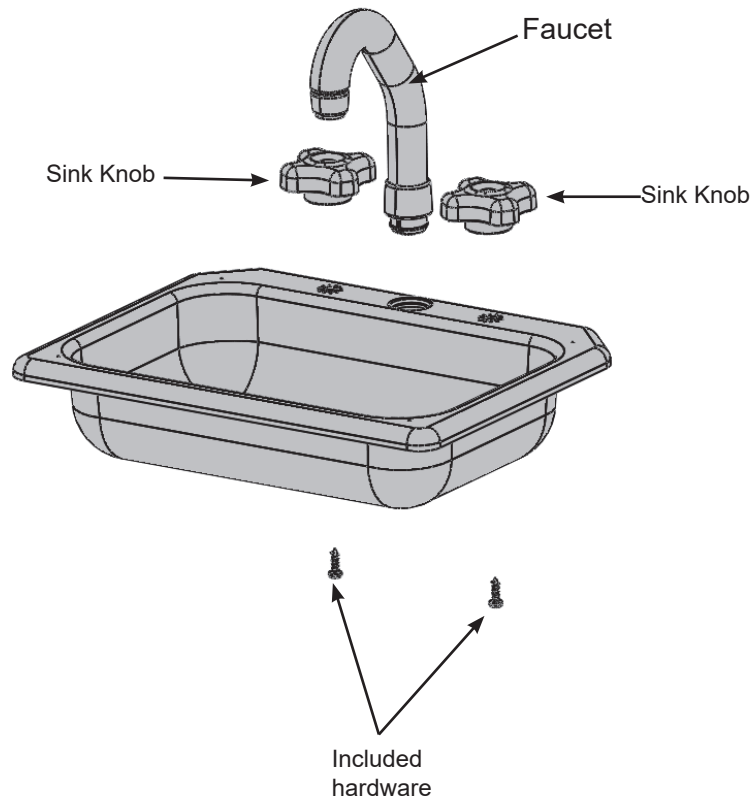
- 18 x S38 #7 x 1-1/8" Pan Screw

Step 8: Attach Counter Assembly Part 3



G: Place Faucet and 2 Sink Knobs in opening of Sink and attach Sink Knobs with included hardware. (fig. 8.3)
Important: Use a hand held screw driver and **DO NOT** over tighten.

Fig. 8.3



Other Parts

1 x Sink
2 x Sink Knobs
1 x Faucet

Step 8: Attach Counter Assembly Part 4



H: Place Sink and Stove in the openings of the Counter Assembly then attach 4 Mount Clips with included hardware to the bottom of the Sink and Stove to secure in place. (fig. 8.4 and 8.5)

Important: Use a hand held screw driver and **DO NOT** over tighten.

Note: To remove the Sink or Stove loosen screw 1/4 turn then twist Mount Clips

Fig. 8.4

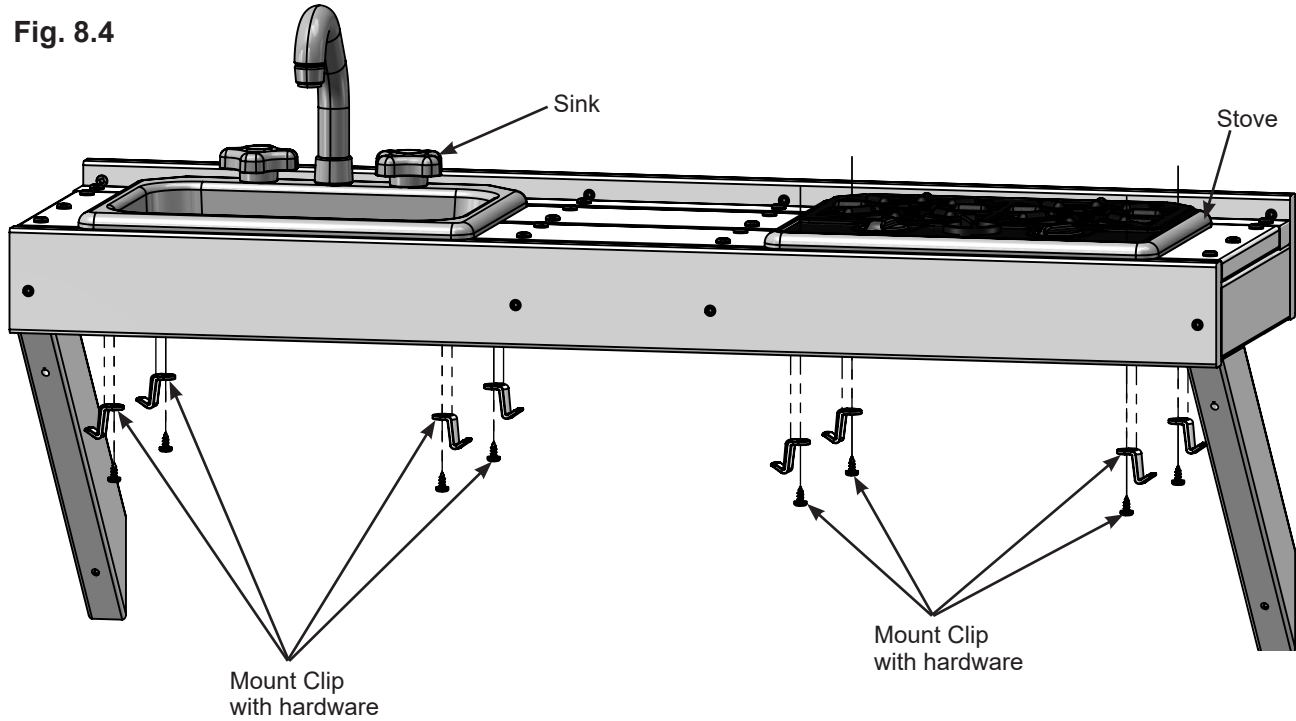
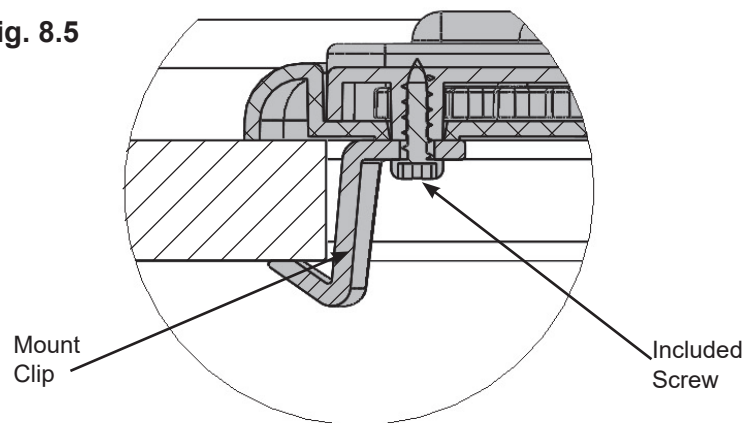


Fig. 8.5



Other Parts

1 x Stove
8 x Mount Clip



Step 9: Attach Utensil Shelf

A: From inside the assembly attach 1 Utensil Shelf with 2 (S0) #8 x 7/8" Truss Screws as shown in fig. 9.1 & 9.2.

B: Attach the Pot, Pan and Spatula to Utensil Shelf. (fig. 9.2)

Fig. 9.1

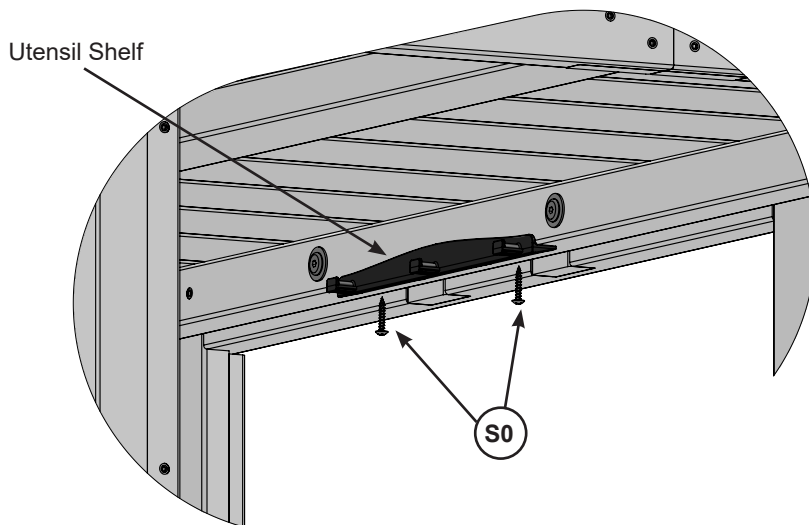
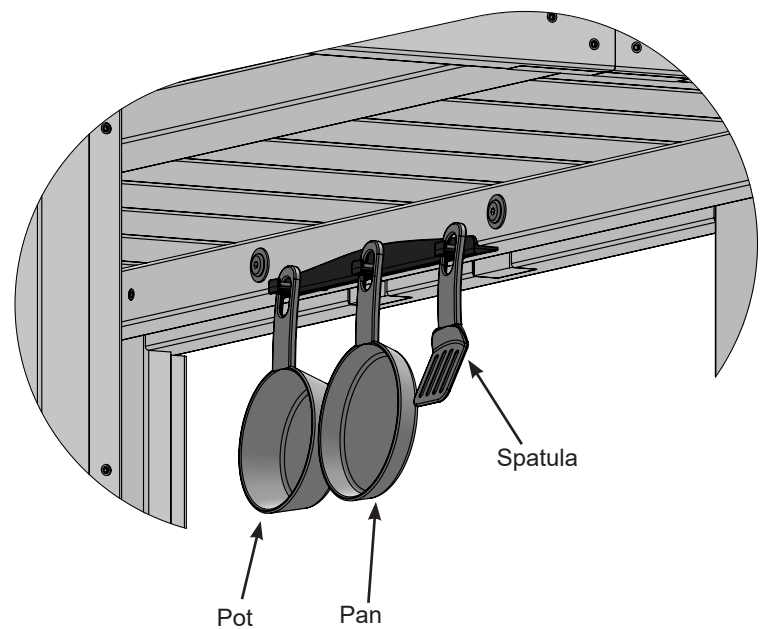


Fig. 9.2



Hardware

2 x (S0) #8 x 7/8" Truss Screw

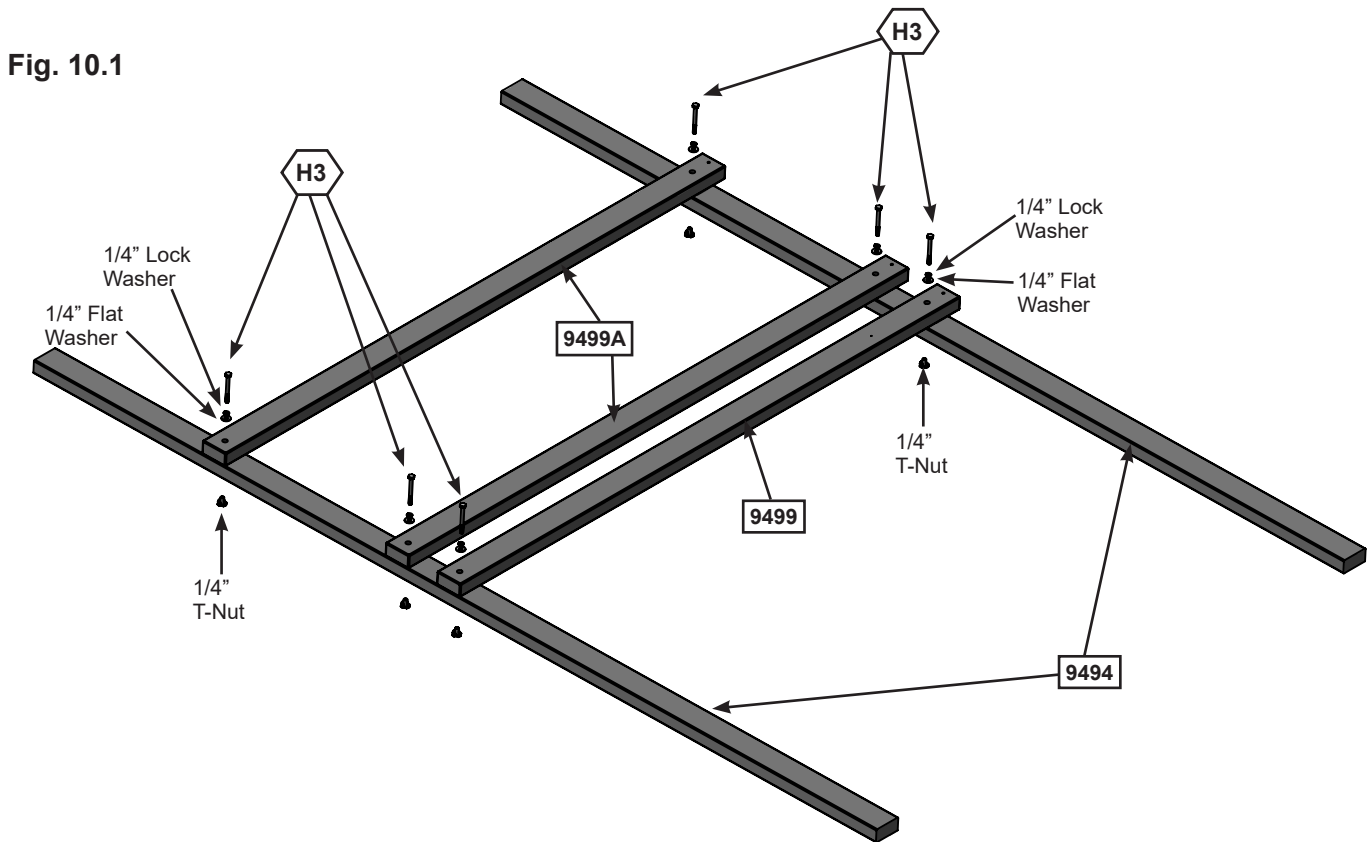
Other Parts

1 x Pan
1 x Pot
1 x Spatula
1 x Utensil Shelf

Step 10: Crowsnest Assembly

A: Lay flat 2 (9494) Crowsnest Uprights taking note of the hole orientation. Place 2 (9499A) Crowsnest Bottoms over the top two sets of pre-drilled holes as shown in (Fig.10.1). Attach using 2 (H3) 1/4 x 2-1/2" Hex Bolts (with flat washer, lock washer and t-nut) per board. (Fig. 10.1)

B: Place (9499) Crowsnest Bottom over the bottom set of pre-drilled holes, attach using 2 (H3) 1/4 x 2-1/2" Hex Bolts (with lock washer, flat washer and t-nut). (Fig. 10.1)



Wood Parts

- 1 x 9499 Crowsnest Bottom 1 1/4 x 2 1/2 x 57 7/16"
- 2 x 9499A Crowsnest Bottom 1 1/4 x 2 1/2 x 57 7/16"
- 2 x 9494 Crowsnest Upright 1 1/4 x 2 1/2 x 90"

Hardware

- 6 x H3 1/4 x 2-1/2" Hex Bolt
(1/4" lock washer, 1/4" flat washer, 1/4" t-nut)

Step 11: Attach Crowsnest Assembly Part 1



A: With a helper, stand the Crowsnest Assembly upright, in front of the fort. Measure to make sure that there is a 21" space between the fort and the outside of (9499) Crowsnest Bottom, as shown in fig. 11.3 & 11.4.

B: Place 1 (9498) Crowsnest Short L across the opening from the fort to the (9494) Crowsnest Upright so that it's flush to the outside edge and the bottom of the lower (9499) Crowsnest Bottom (fig. 11.2). Check to make sure the board is level, then attach using 4 (S3) #8 x 2- 1/2" Wood Screws. (fig. 11.1 & 11.2)

Fig. 11.1

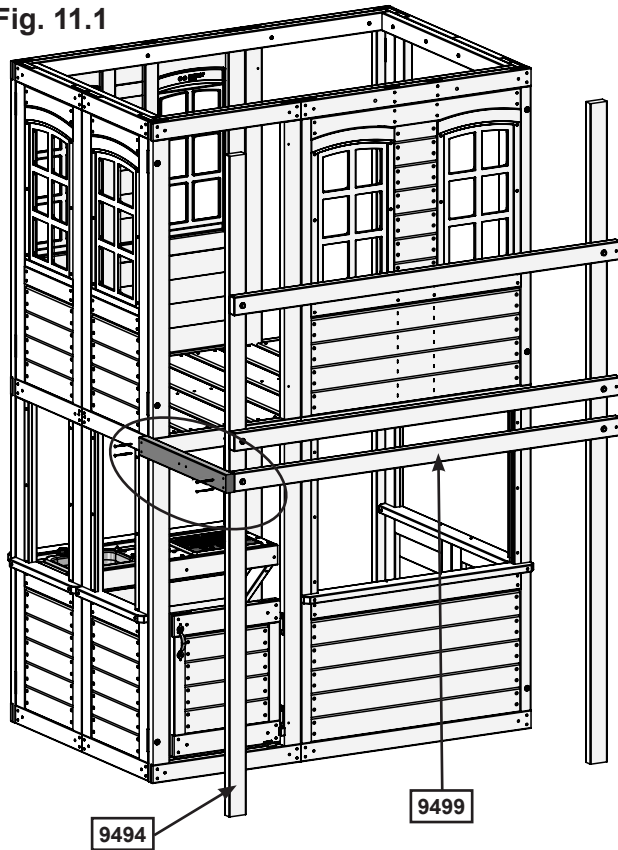


Fig. 11.2

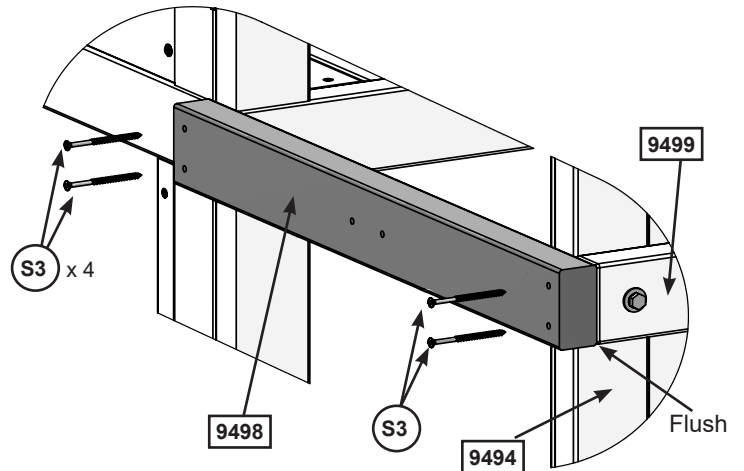


Fig. 11.3

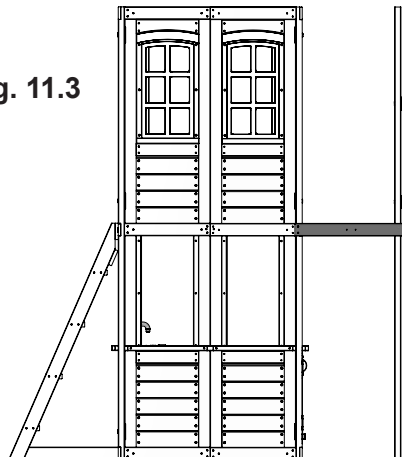
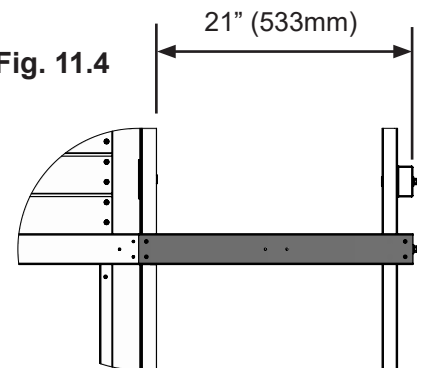


Fig. 11.4



Wood Parts

1 x 9498 Crowsnest Short L 1 1/4 x 2 1/2 x 22 5/16"

Hardware

4 x S3 #8 x 2-1/2" Wood Screw



parts.kidkraft.com

customerservice@kidkraft.com
1.800.933.0771
972.385.0100