

# COOPER PLAYHOUSE - P280105

## INSTALLATION AND OPERATING INSTRUCTIONS



### WARNING

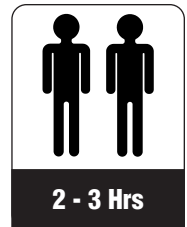
To reduce the risk of serious injury or death, you must read and follow these instructions. Keep and refer to these instructions often and give them to any future owner of this play set. Manufacturer contact information provided below.

OBSTACLE FREE SAFETY ZONE - 16'9.5" x 17'1.1" (5.12 x 5.21 m)

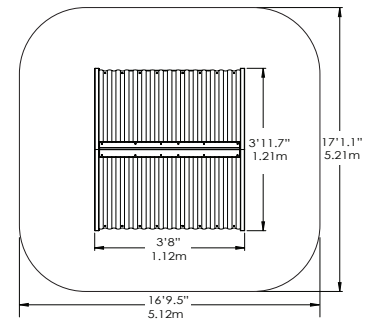
CAPACITY - 3 Users Maximum, Ages 2 to 10.

RESIDENTIAL HOME USE ONLY. Not intended for public areas such as schools, churches, nurseries, day cares or parks.

WARNING. Only for domestic use.



**TWO PERSON  
ASSEMBLY**



**FOR OUTDOOR FAMILY  
DOMESTIC USE ONLY**



KidKraft, Inc.  
4630 Olin Road  
Dallas, Texas 75244 USA  
customerservice@kidkraft.com  
canadacustomerservice@kidkraft.com  
1.800.933.0771  
972.385.0100  
For online parts replacement visit  
<https://parts.kidkraft.com/>

KidKraft Netherlands BV  
Olympisch Stadion 8  
1076 DE Amsterdam  
The Netherlands  
europecustomerservice@kidkraft.com  
+31 20 305 8620 M-F from 09:00 to 17:30  
(GMT+1)  
For online parts replacement visit  
<https://parts.kidkraft.eu/>

### Table of Contents

|  |          |
|--|----------|
| Warnings and Safe Play Instructions..... | pg. 2    |
| Keys to Assembly Success .....           | pg. 3    |
| About Our Wood – Limited Warranty.....   | pg. 4    |
| Part ID .....                            | pg. 5-7  |
| Step-By-Step Instructions .....          | pg. 8-32 |

# Warnings and Safe Play Instructions

CONTINUOUS ADULT SUPERVISION REQUIRED. Most serious injuries and deaths on playground equipment have occurred while children were unsupervised! Our products are designed to meet mandatory and voluntary safety standards. Complying with all warnings and recommendations in these instructions will reduce the risk of serious or fatal injury to children using this play system. Go over the warnings and safe play instructions regularly with your children and make certain that they understand and follow them. Remember on-site adult supervision is required for children of all ages.



## WARNING

**CHOKING HAZARD/SHARP EDGES & POINTS**  
Adult assembly required. This product contains small parts and parts with sharp edges and points. Keep parts away from children until fully assembled.

**STRANGULATION HAZARD**

- **NEVER** allow children to play with ropes, clotheslines, pet leashes, cables, chains or cord-like items when using this playhouse or to attach these items to the playhouse.
- **NEVER** allow children to wear loose fitting clothing, ponchos, hoods, scarves, capes, necklaces, items with draw-strings, cords or ties when using this playhouse.
- **NEVER** allow children to wear bike or sport helmets when using this playhouse.

Failure to prohibit these items, even helmets with chin straps, increases the risk of serious injury and death to children from entanglement and strangulation.

**TIP OVER HAZARD**

Choose a level location for the equipment. This can reduce the likelihood of the playhouse tipping over and loose-fill surfacing materials washing away during heavy rains.

DO NOT allow children to play on the playhouse until the assembly is complete.

**PLACEMENT**

Place the toy on a level surface at least 2m from any structure or obstruction such as fences, garages, house, overhanging branches, laundry or electrical wires.



## WARNING – Safe Play Instructions

- ✓ Dress children with well fitting and full foot enclosing footwear.
- ✓ Check for splintered, broken or cracked wood; missing, loose, or sharp edged hardware. Replace, tighten and or sand smooth as required prior to playing.
- ✓ Replace defective parts in accordance with manufacturer's instructions.
- ✗ Do not allow children to wear open toe or heel footwear like sandals, flip-flops or clogs.
- ✗ Do not permit climbing on equipment when it is wet.
- ✗ Do not permit rough play or use of equipment in a manner for which it was not intended. Standing or climbing on or jumping from the roof.

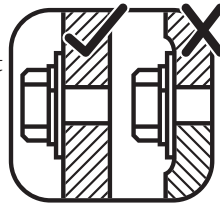
### Instructions for Proper Maintenance

Your KidKraft Play System is designed and constructed of quality materials with your child's safety in mind. As with all outdoor products used by children, it will weather and wear. To maximize the enjoyment, safety and life of your Playhouse, it is important that you, the owner, properly maintain it.

**Check the following at the beginning of the play season:**

**HARDWARE:**

- ✓ Check metal parts for rust. If found, sand and repaint using a non-lead paint complying with 16 CFR 1303.
- ✓ Inspect and tighten all hardware. On wood assemblies DO NOT OVER-TIGHTEN as to cause crushing and splintering of wood.
- ✓ Check for sharp edges or protruding screw threads, add washers if required.



**WOOD PARTS:**

- ✓ Check all wood members for deterioration, structural damage and splintering. Sand down splinters and replace deteriorated wood members. As with all wood, some checking and small cracks in grain is normal.
- ✓ Applying a water repellent or stain (water-based) on a yearly basis is important maintenance to maintain maximum life and performance of the product.

**Check twice a month during play season:**

**HARDWARE:**

- ✓ Inspect for tightness. Must be firmly against, but not crushing the wood. DO NOT OVER-TIGHTEN. This will cause splintering of wood.
- ✓ Check for sharp edges or protruding screw threads. Add washers if required.

**If you dispose of your playhouse:** Please disassemble and dispose of your unit so that it does not create any unreasonable hazards at the time it is discarded. Be sure to follow your local waste ordinances.

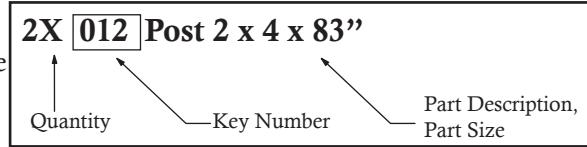
# Keys to Assembly Success

## Tools Required

|   |   |  |   |
|---|---|--|---|
| <ul style="list-style-type: none"> <li>• Carpenters Level</li> <li>• Carpenters Square</li> </ul> | <ul style="list-style-type: none"> <li>• Claw Hammer</li> <li>• Tape Measure</li> </ul> | <ul style="list-style-type: none"> <li>• Standard or Cordless Drill</li> <li>• Pencil</li> </ul> | <ul style="list-style-type: none"> <li>• Safety Glasses</li> <li>• Adult Helpers</li> </ul> |
|---|---|--|---|








## Part Identification Key

On each page, you will find the parts and quantities required to complete the assembly step illustrated on that page. Here is a sample.



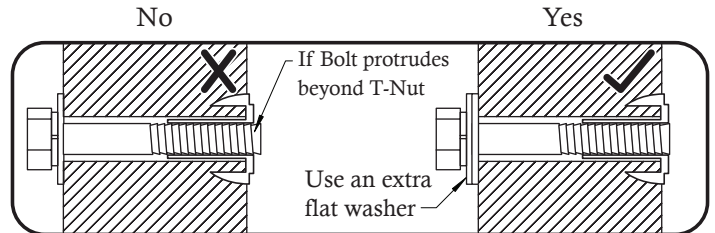
## Symbols

Throughout these instructions symbols are provided as important reminders for proper and safe assembly.

|   |   |
|---|---|
| <p>This identifies information that requires special attention. Improper assembly could lead to an unsafe or dangerous condition.</p>  | <p>Check that set or assembly is properly level before proceeding.</p> <p>Use Level</p>    |
| <p>Use Help</p>  <p>Measure Distance</p>            | <p>Use Help</p>  <p>Where this is shown, 2 or 3 people are required to safely complete the step. To avoid injury or damage to the assembly make sure to get help!</p> <p>Square Assembly</p>                        |
| <p>Check that assembly is square before tightening bolts.</p> <p>Use a measuring tape to assure proper location.</p>  | <p>Pre-drill 1/8" &amp; 3/16" Bit</p> <p>Pre-drill a pilot hole before fastening screw or lag to prevent splitting of wood.</p> <p>Tighten Bolts</p>  <p>This indicates time to tighten bolts, but not too tight! Do not crush the wood. This may create splinters and cause structural damage.</p> |

## CAUTION – Protrusion Hazard

Once the assembly is tightened, watch for exposed threads. If a thread protrudes from the T-Nut, remove the bolt and add washers to eliminate this condition. Extra washers have been provided for this purpose.

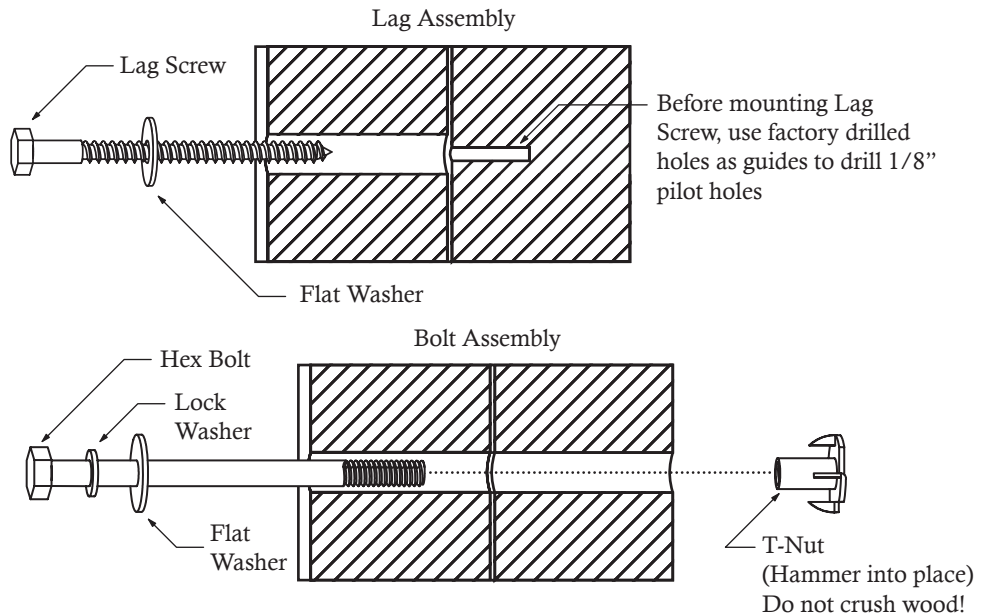


## Proper Hardware Assembly

Lag screws require drilling pilot holes to avoid splitting wood. Only a flat washer is required. For ease of installation liquid soap can be used on all lag-type screws.

For bolts, tap T-Nut into hole with hammer. Insert the hex bolt through lock washer first then flat washer then hole. Because the assemblies need to be squared do not completely tighten until instructed. Pay close attention to diameter of the bolts. 5/16" is slightly larger than 1/4".

Note: Wafer head bolts with blue lock tight or a bolt with a Ny-Lok nut do NOT require a lock washer.





# About Our Wood

KidKraft Premium Play Systems uses only premium playset lumber, ensuring the safest product for your children's use. Although we take great care in selecting the best quality lumber available, wood is still a product of nature and susceptible to weathering which can change the appearance of your set.

## What causes weathering? Does it affect the strength of my Play System?

One of the main reasons for weathering is the effects of water (moisture); the moisture content of the wood at the surface is different than the interior of the wood. As the climate changes, moisture moves in or out of the wood, causing tension which can result in checking and or warping. You can expect the following due to weathering. These changes will not affect the strength of the product:

1. **Checking** is surface cracks in the wood along the grain. A post (4" x 4") will experience more checking than a board (1" x 4") because the surface and interior moisture content will vary more widely than in thinner wood.
2. **Warping** results from any distortion (twisting, cupping) from the original plane of the board and often happens from rapid wetting and drying of the wood.
3. **Fading** happens as a natural change in the wood color as it is exposed to sun-light and will turn a grey over time.

## How can I reduce the amount of weathering to my Play System?

At the factory we have coated the wood with a water repellent or stain. This coating decreases the amount of water absorption during rain or snow thus decreasing the tension in the wood. Sunlight will break down the coating, applying a water repellent or stain on a yearly basis is important maintenance. (see your local stain and paint supplier for a recommended product)

Most weathering is just the normal result of nature and will not affect safe play and enjoyment for your child. However if you are concerned that a part has experienced a severe weathering problem please call our consumer relations department for further assistance.

## Complete and mail registration card to receive important product notifications and assure prompt warranty service.

### 5 Year Limited Warranty

KidKraft warrants that this product is free from defect in materials and workmanship for a period of one year from the original date of purchase. In addition, lumber is warranted for 5 years against structural failure due to rot and insect damage. All other parts, such as hardware, swings, rides, accessories, and slides carry a one-year warranty only.

This warranty applies to the original owner and registrant and is non-transferable.

Regular maintenance is required to assure the integrity of your Play System. Failure by the owner to maintain the product according to the maintenance requirements may void this warranty. This warranty does not cover any inspection cost.

This Limited Warranty does not cover:

- Labour for replacement of any defective item(s);
- Incidental or consequential damages;
- Cosmetic defects which do not affect performance or integrity;
- Vandalism; improper use or installation; acts of nature;
- Minor twisting, warping, checking, or any other natural occurring properties of wood that do not affect performance or integrity.

KidKraft products have been designed for safety and quality. Any modifications made to the original product could damage the structural integrity of the unit leading to failure and possible injury. KidKraft cannot assume any responsibility for modified products. Furthermore, modification voids any and all warranties.

This product is warranted for **RESIDENTIAL USE ONLY**. Under no circumstance should a KidKraft Play System be used in public settings such as schools, churches, playgrounds, parks, day cares and the like. Such use may lead to product failure and potential injury. Any and all public use will void this warranty.

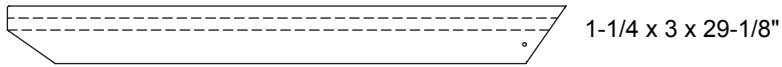
KidKraft disclaims all other representations and warranties of any kind, express or implied.

This Warranty gives you specific legal rights. You may have other rights as well which vary from state to state or province to province. This warranty excludes all consequential damages, however, some states do not allow the limitation or exclusion of consequential damages, and therefore this limitation may not apply to you.

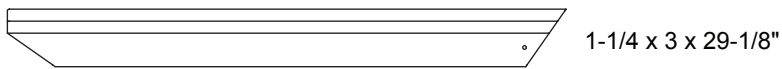


# Part Identification (Reduced Part Size)

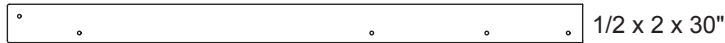
2pc. - **[0921]** - 31.8 x 76.2 x 740 mm - 38092137



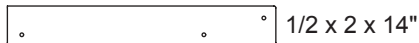
2pc. - **[0922]** - 31.8 x 76.2 x 740 mm - 38092237



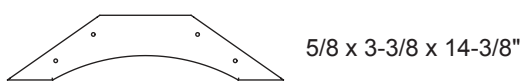
2pc. - **[0927]** - 12.7 x 50.8 x 762 mm - 38092737



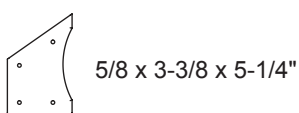
2pc. - **[0928]** - 12.7 x 50.8 x 355.6 mm - 38092837



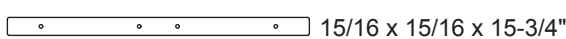
2pc. - **[0924]** - 15.9 x 85.7 x 365.8 mm - 38092437



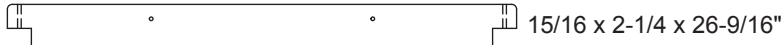
4pc. - **[0925]** - 15.9 x 85.7 x 133.4 mm - 38092537



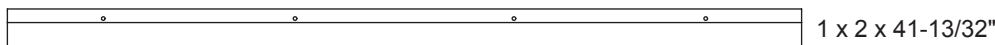
3pc. - **[0930]** - 23.8 x 23.8 x 400 mm - 38093056



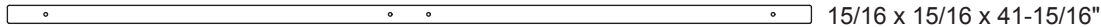
1pc. - **[0933]** - 23.8 x 57.2 x 674.5 mm - 38093373



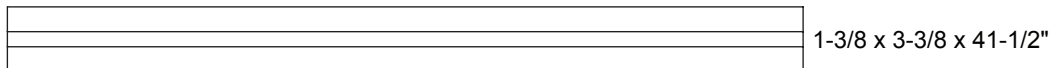
2pc. - **[0929]** - 25.4 x 50.8 x 1052 mm - 38092937



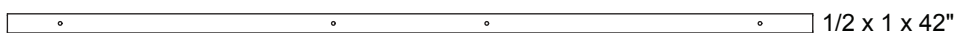
1pc. - **[0931]** - 23.8 x 23.8 x 1065 mm - 38093156



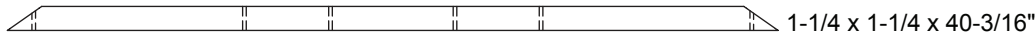
1pc. - **[0923]** - 34.9 x 85.7 x 1054 mm - 38092337



2pc. - **[0926]** - 12.7 x 25.4 x 1066.8 mm - 38092637



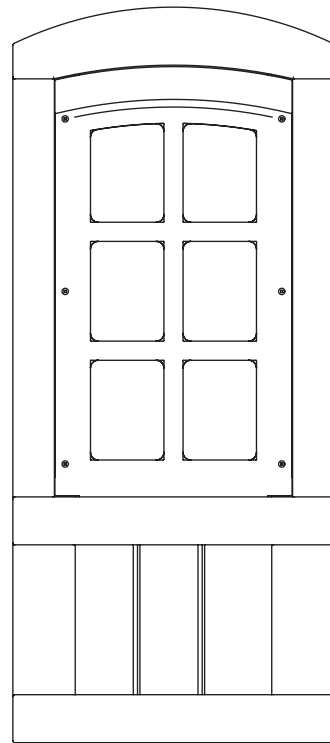
2pc. - **[0920]** - 31.8 x 31.8 x 1020.9 mm - 38092037



1pc. - **[0935]** - 15.9 x 76.2 x 1050 mm - 38093537



1pc. - **[0936]** - 15.9 x 59.3 x 1050 mm - 38093637

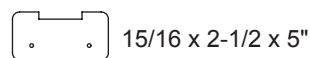


1pc. - **[0871]** - 25.4 x 425.5 x 947.2 mm - 378087173  
1 x 16-3/4 x 38-11/32"

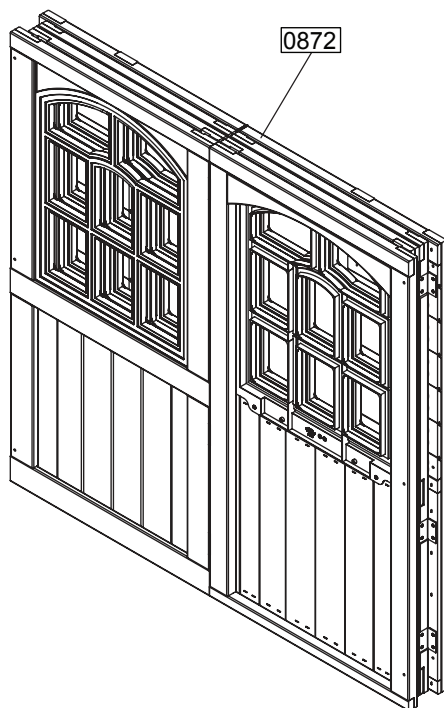
1pc. - **[0932]** - 23.8 x 23.8 x 508 mm - 38093256



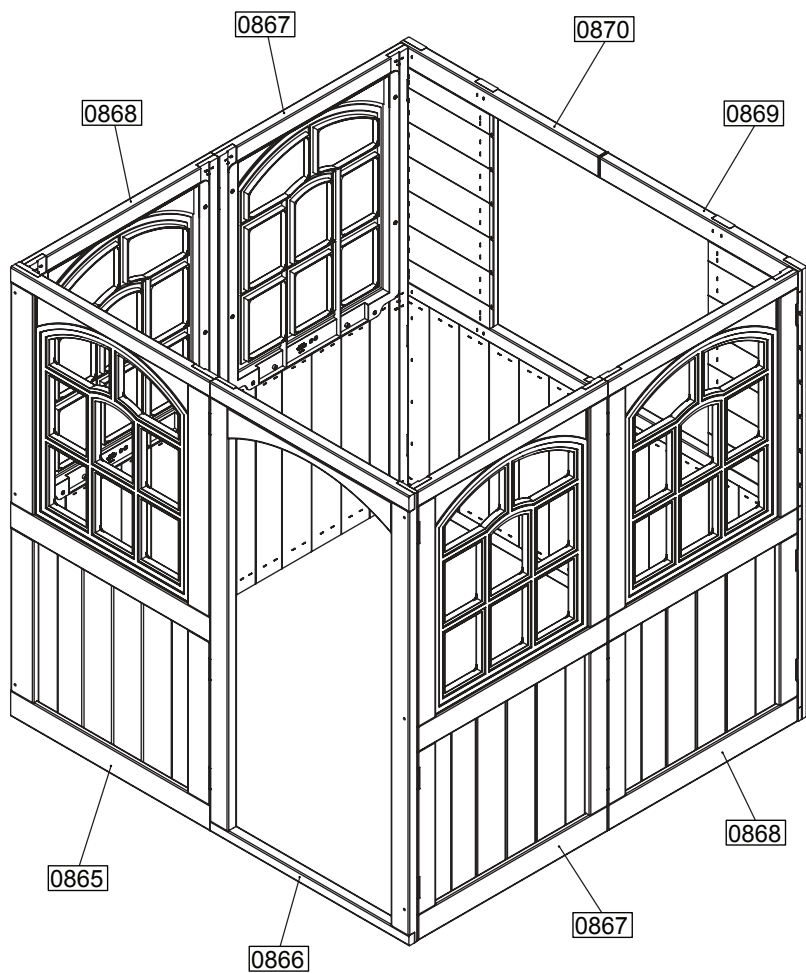
1pc. - **[0934]** - 23.8 x 63.5 x 127 mm - 38093456



# Part Identification (Reduced Part Size)

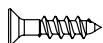


1pc. - **0872**  
 - 106.8 x 1117.6 x 1092.2 mm  
 - 378087273  
 4-3/16 x 44 x 43"



**If you need to order parts,  
 please order below part#**

- 0865** - 378086556 - Front Wall Panel - 1pc.
- 0866** - 378086656 - Frame - 1pc.
- 0867** - 378086756 - Side Panel A - 1pc.
- 0868** - 378086856 - Side Panel B - 1pc.
- 0869** - 378086956 - Back Wall Left - 1pc.
- 0870** - 378087056 - Back Wall Right - 1pc.
- 9325687 - Wall Hinge - 1pc.
- S39 - 52012903 - Wood Screw #5 x 3/4" - 1pc.

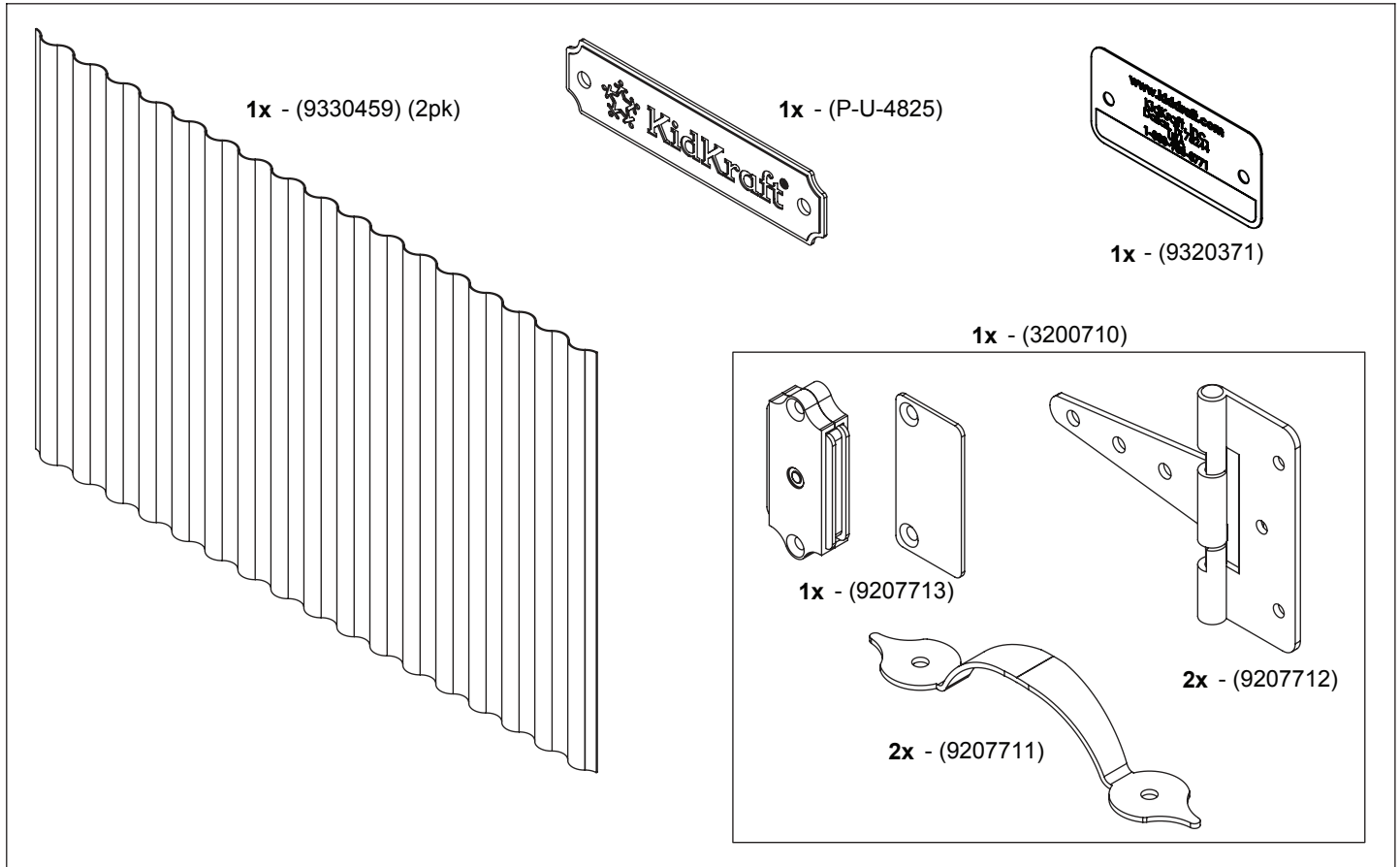


**S39 - 52012903**

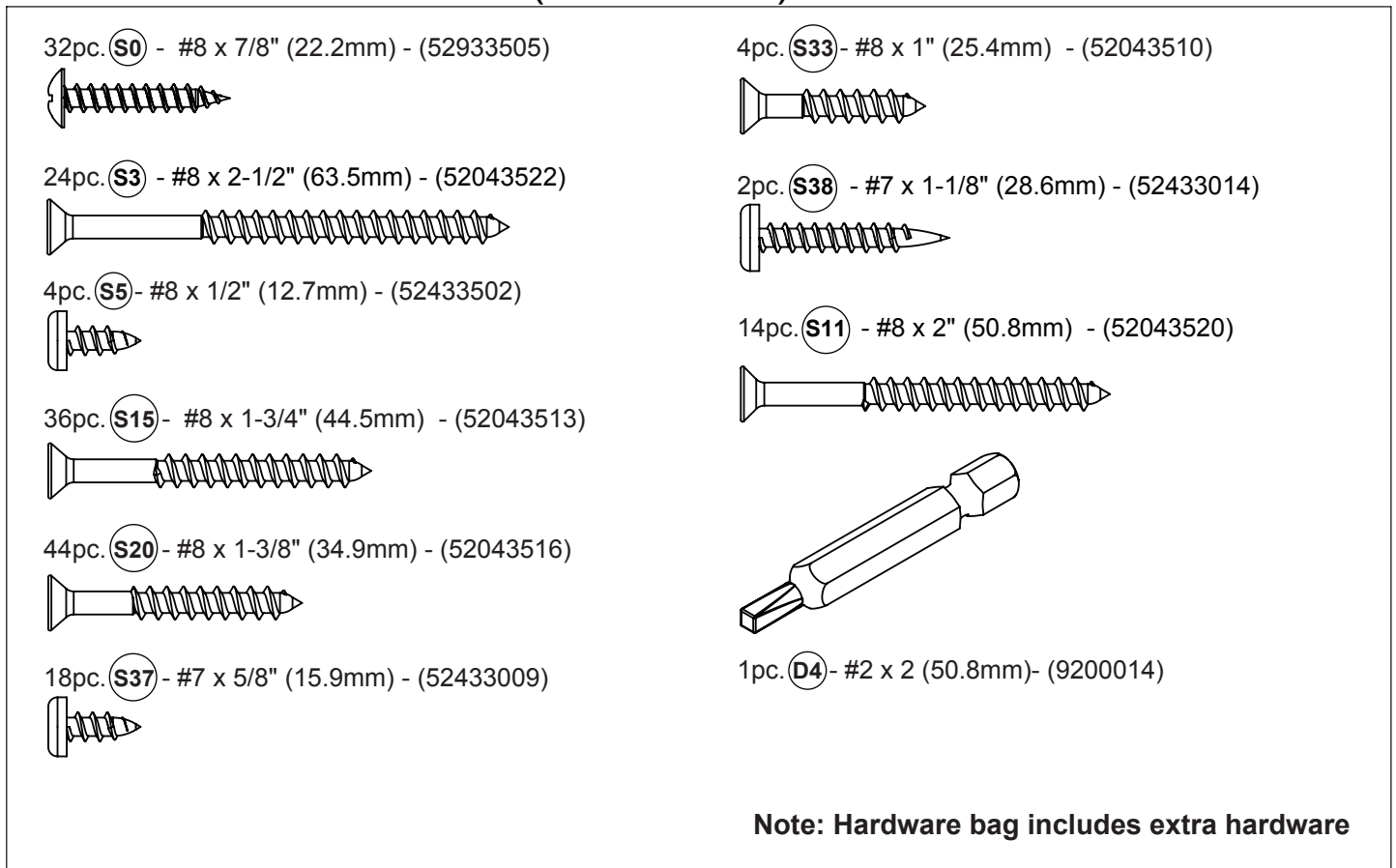


**9325687**

## Part Identification (Reduced Part Size)

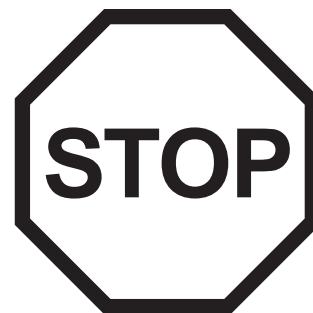
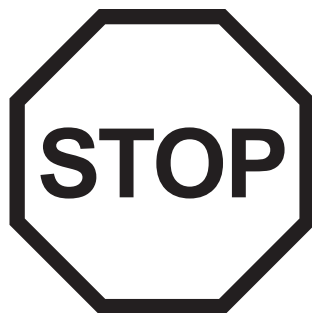
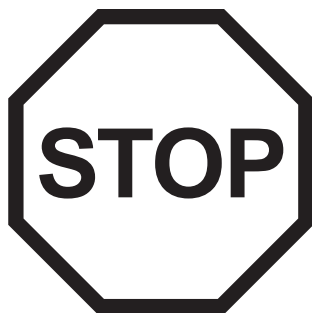
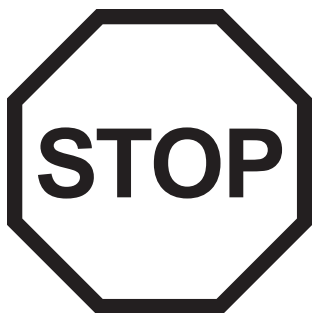


## Hardware Identification (Actual Size)

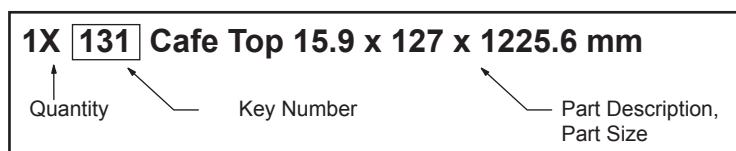




# Step 1: Inventory Parts - Read This Before Starting Assembly



- A. This is the time for you to inventory all your hardware, wood and accessories, referencing the parts identification sheets. This will assist you with your assembly.
- The wood pieces will have the key number stamped on the ends of the boards. Organize the wood pieces by step, as per the key numbering system below.



- Please refer to Page 3 for proper hardware assembly.
  - Each step indicates which bolts and/or screws you will need for assembly, as well as any flat washers, lock washers, t-nuts or lock nuts.
- B. If there are any missing or damaged pieces or you need assistance with assembly please contact the consumer relations department directly. Call us before going back to the store.

1.800.933.0771 or 972.385.0100  
customerservice@kidkraft.com  
canadacustomerservice@kidkraft.com  
For online parts replacement visit  
<https://parts.kidkraft.com/>

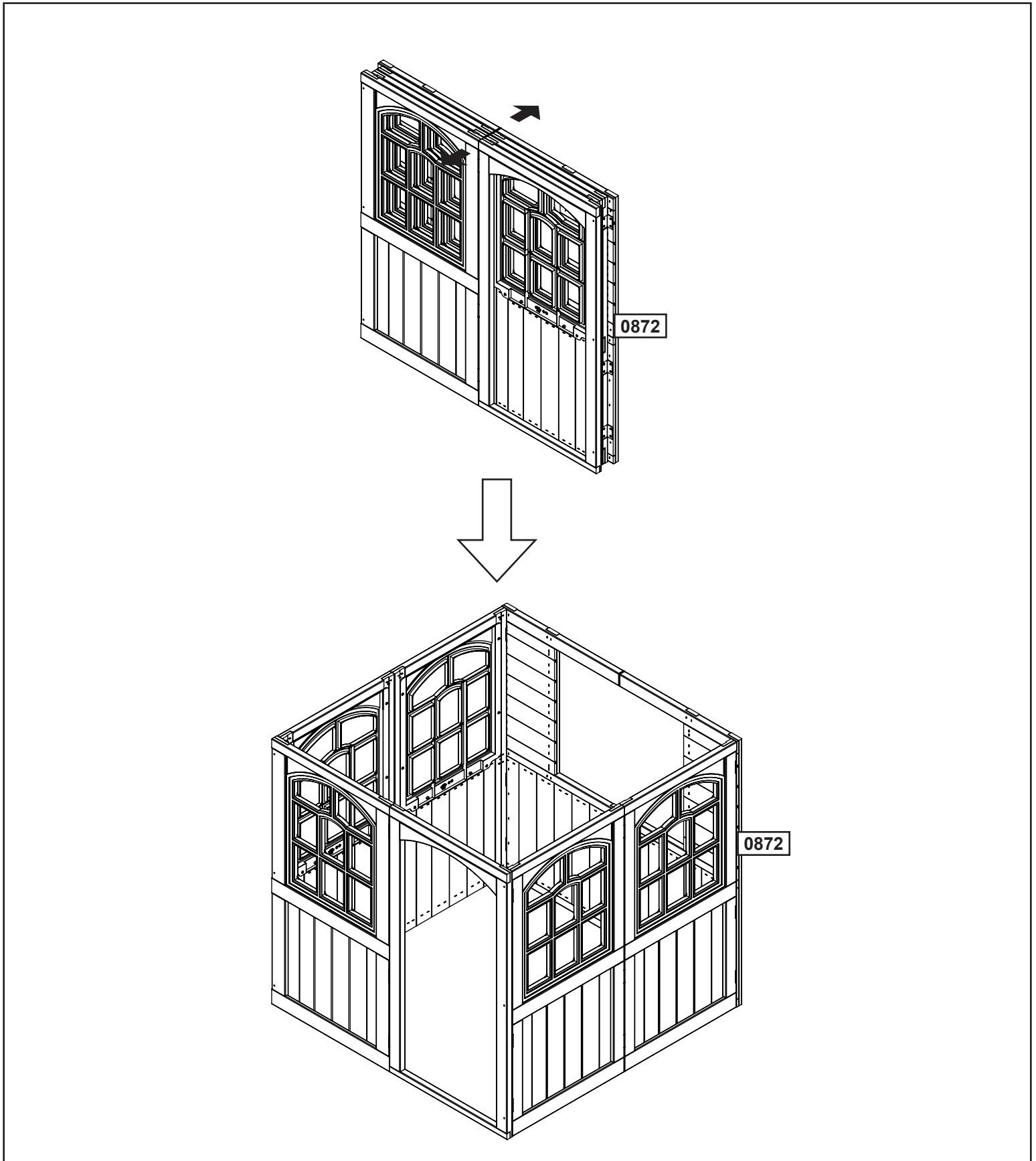
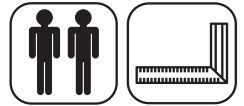
+31 20 305 8620  
europecustomerservice@KidKraft.com  
For online parts replacement visit  
<https://parts.kidkraft.eu/>

- C. Read the assembly manual completely, paying special attention to ANSI warnings; notes; and safety/maintenance information.
- D. Before you discard your cartons fill out the form below.
- The carton I.D. stamp is located on the end of each carton.
  - Please retain this information for future reference. You will need this information if you contact the Consumer Relations Department.

MODEL NUMBER: **P280105**

CARTON I.D. STAMP: \_ \_ \_ \_ \_ 14459 \_ (Box 1)

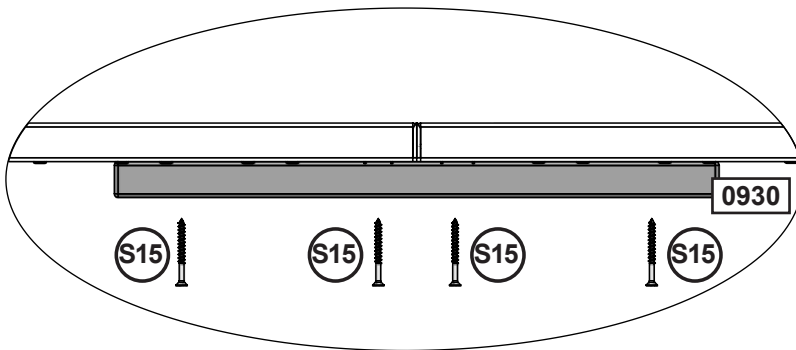
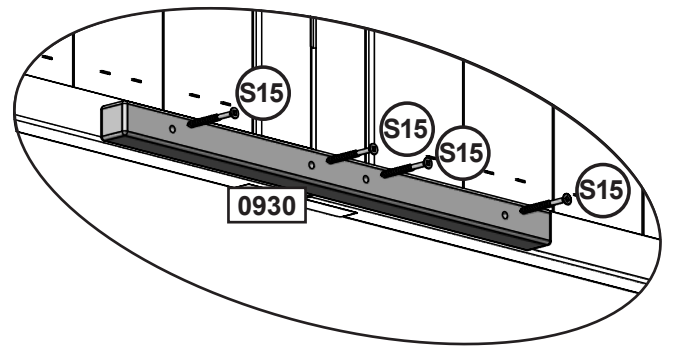
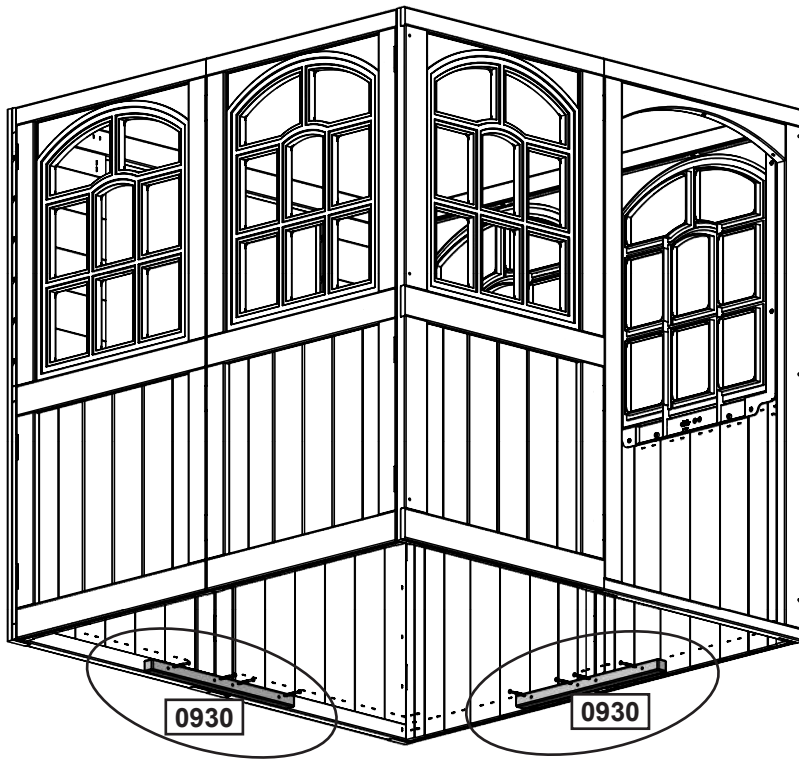
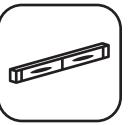
# Step 2



### Wood Parts

1 x 0872 - 4-3/16 x 44 x 43" (106.8 x 1117.6 x 1092.2 mm)

# Step 3



### Wood Parts

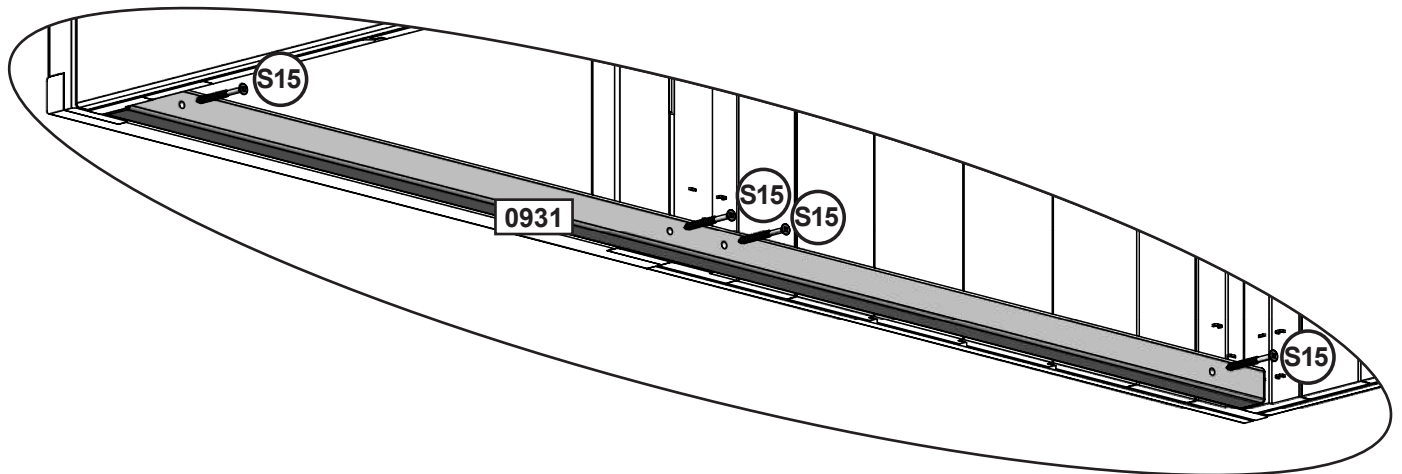
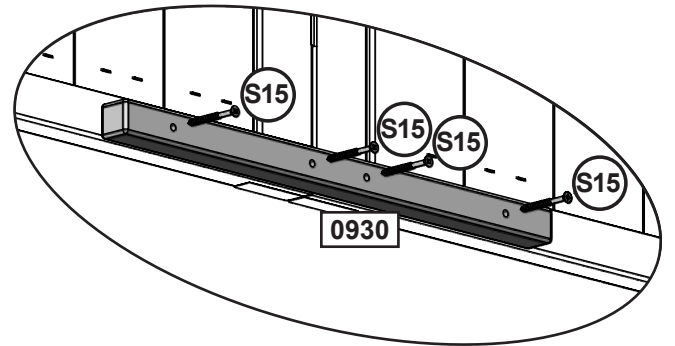
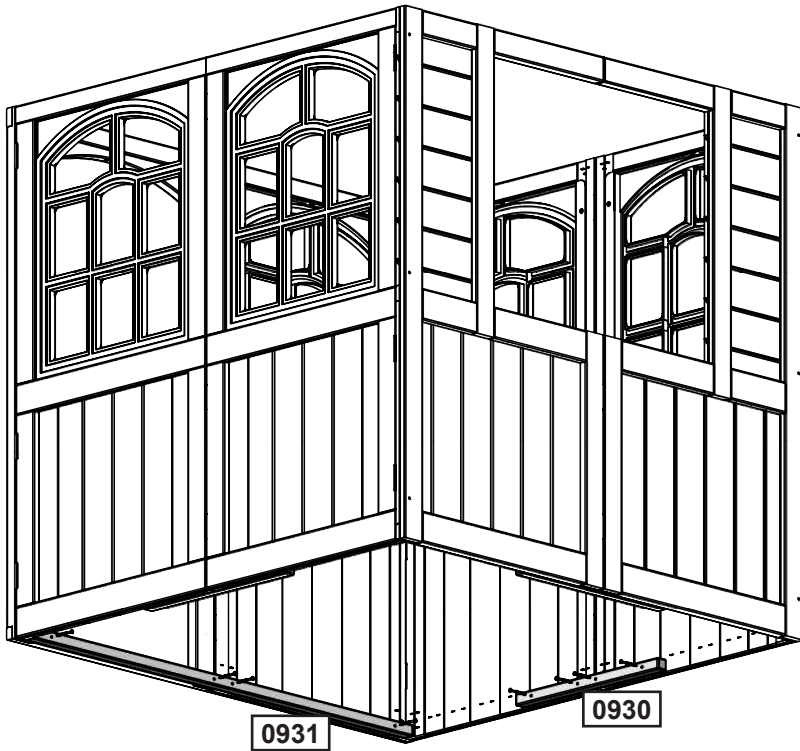
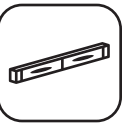
2 x 0930 15/16 x 15/16 x 15-3/4" (23.8 x 23.8 x 400 mm)

### Hardware

8 x S15 #8 x 1-3/4" (44.5mm)



# Step 4



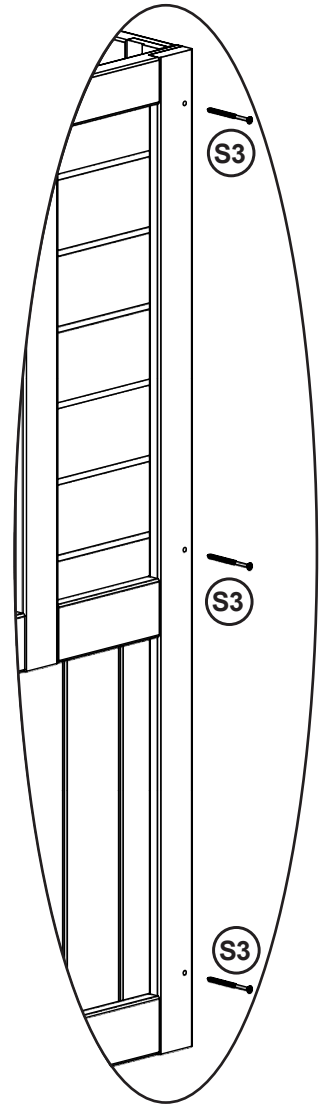
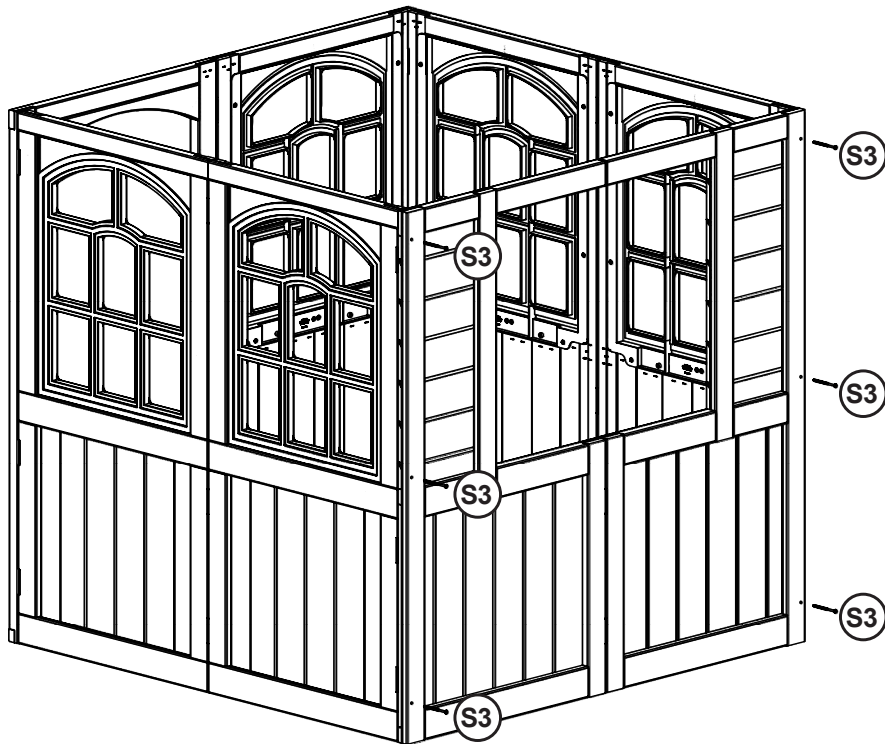
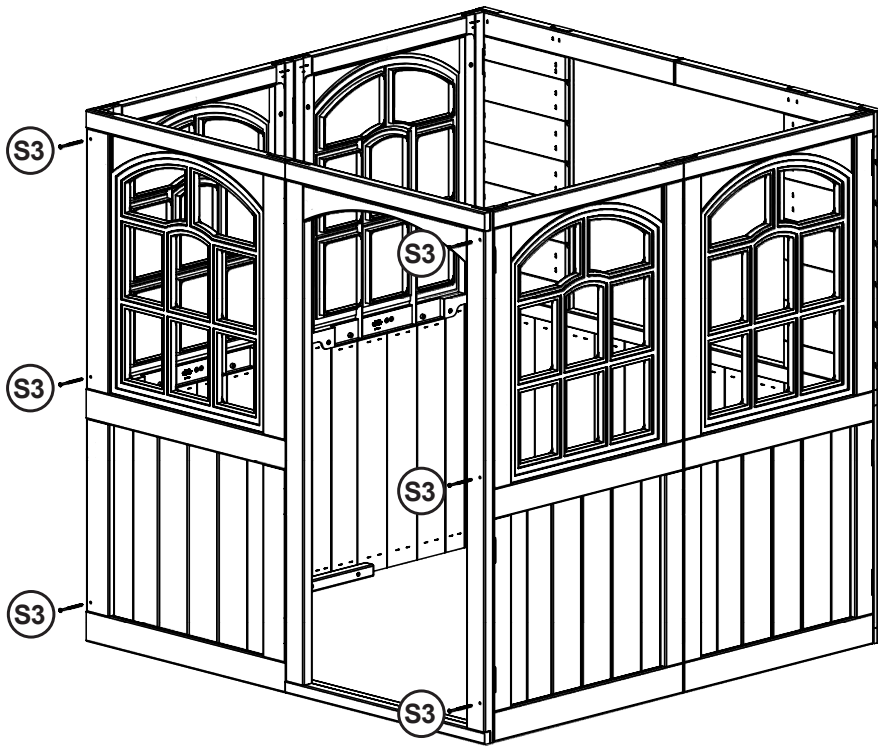
### Wood Parts

- 1 x **0930** 15/16 x 15/16 x 15-3/4" (23.8 x 23.8 x 400 mm)
- 1 x **0931** 15/16 x 15/16 x 41-15/16" (23.8 x 23.8 x 1065 mm)


### Hardware

- 8 x **S15** #8 x 1-3/4" (44.5mm)

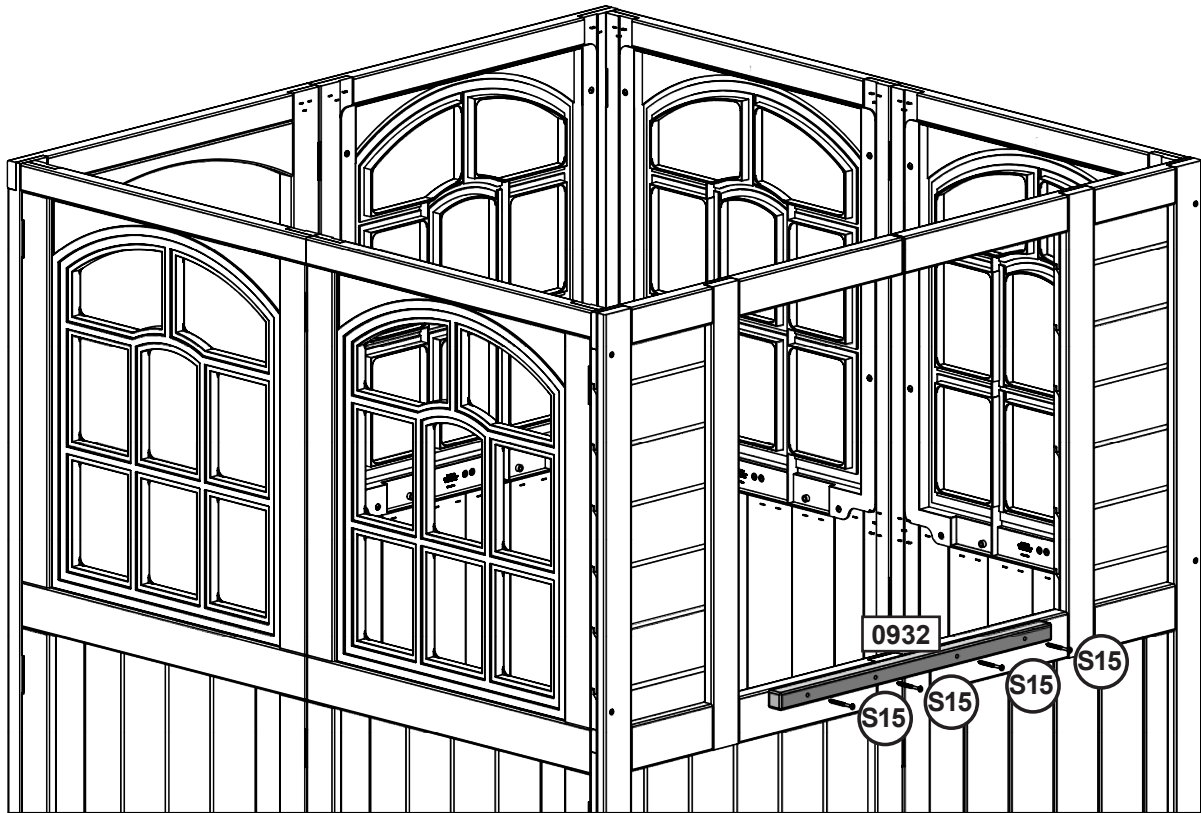
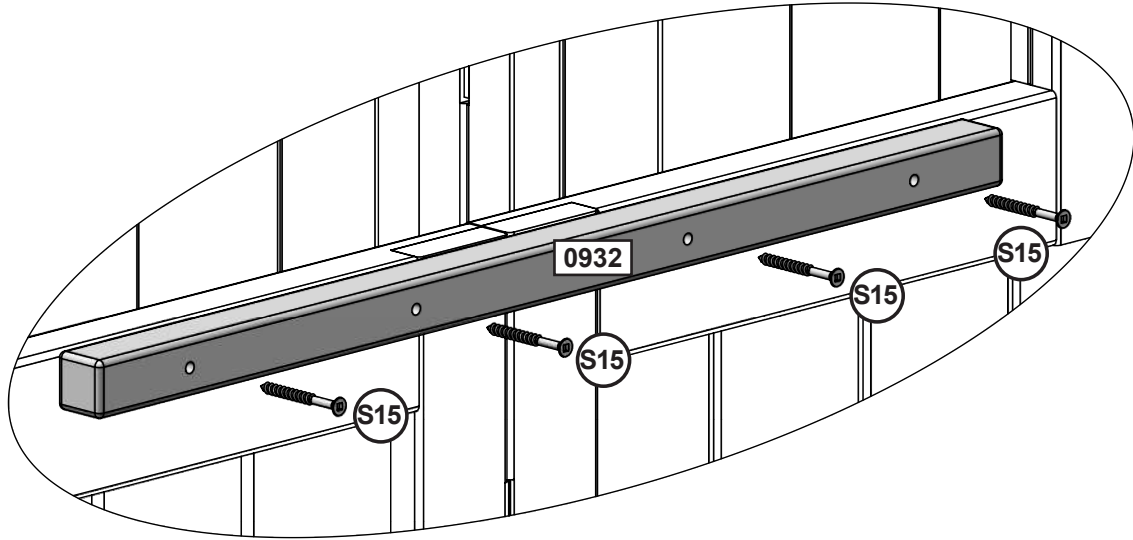
# Step 5



## Hardware

12 x  #8 x 2-1/2" (63.5mm)

# Step 6



## Wood Parts

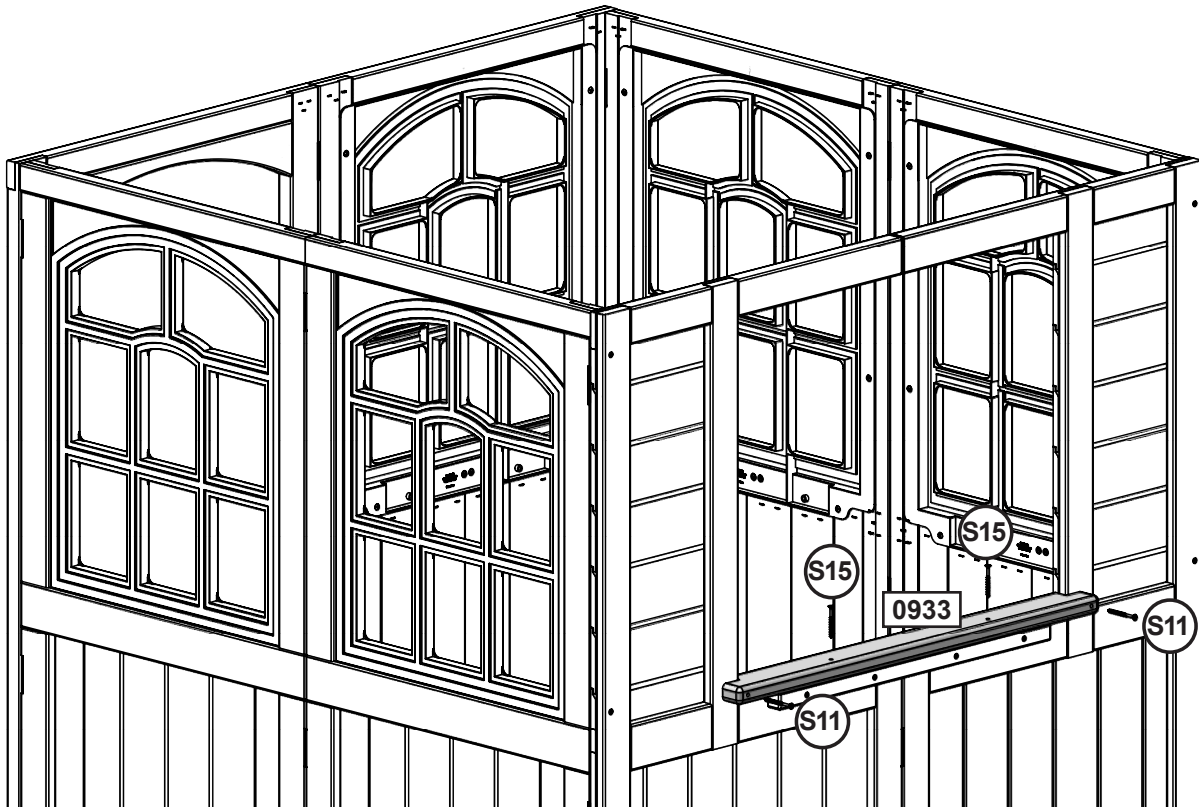
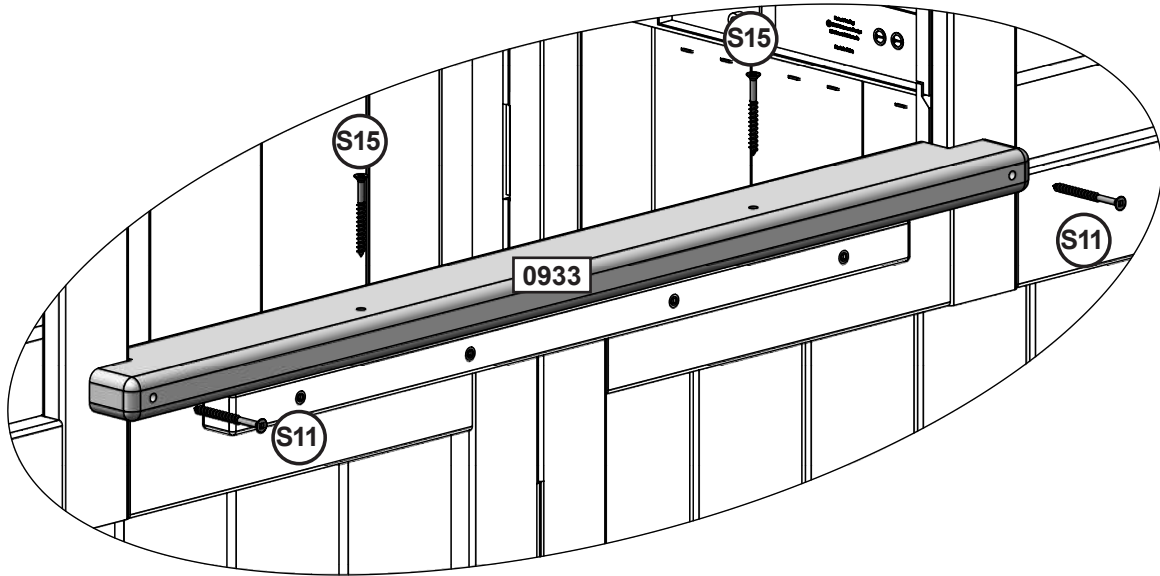
1 x 0932 15/16 x 15/16 x 20" (23.8 x 23.8 x 508 mm)

## Hardware

4 x S15 #8 x 1-3/4" (44.5mm)



# Step 7



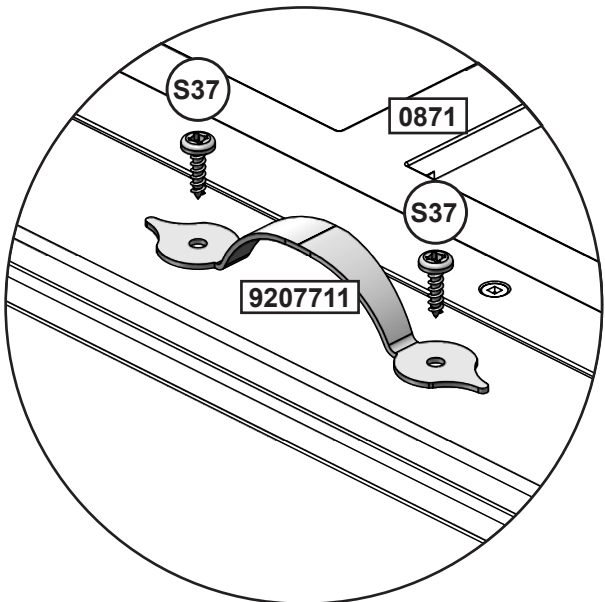
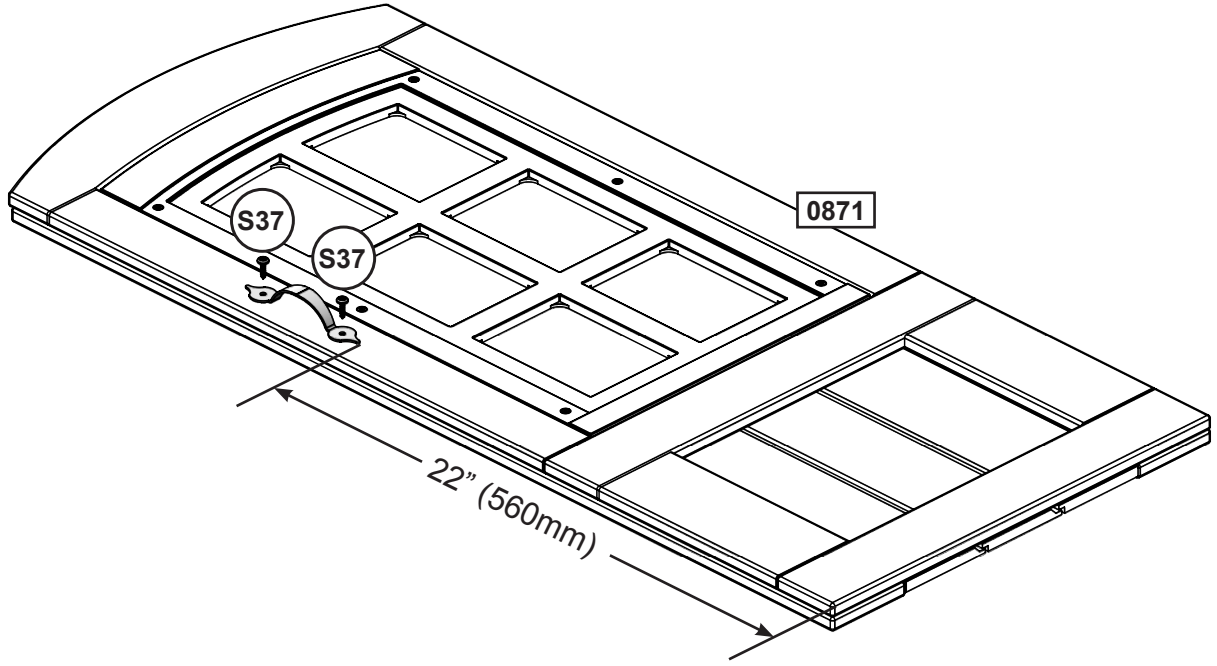
## Wood Parts

1 x 0933 15/16 x 2-1/4 x 26-9/16" (23.8 x 57.2 x 674.5 mm)

## Hardware

2 x S15 #8 x 1-3/4" (44.5mm)  
 2 x S11 #8 x 2" (50.8mm)

# Step 8



### Wood Parts

1 x 0871 1 x 16-3/4 x 38-11/32" (25.4 x 425.5 x 974.2 mm)

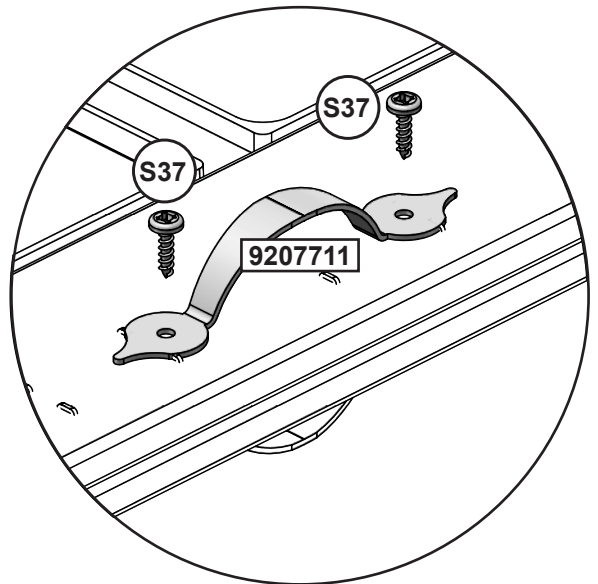
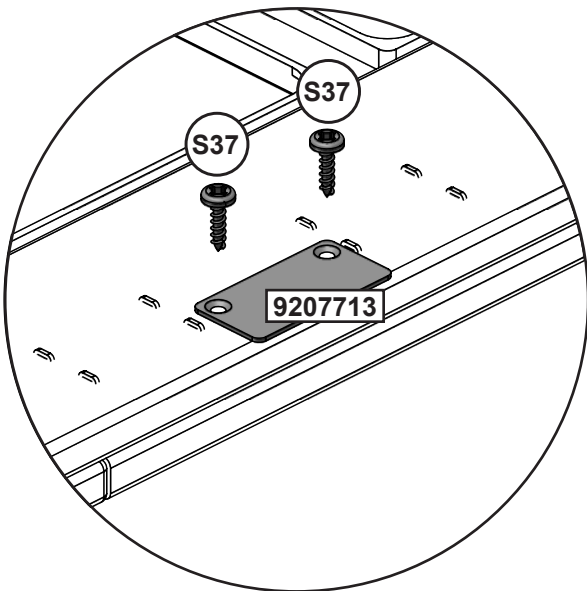
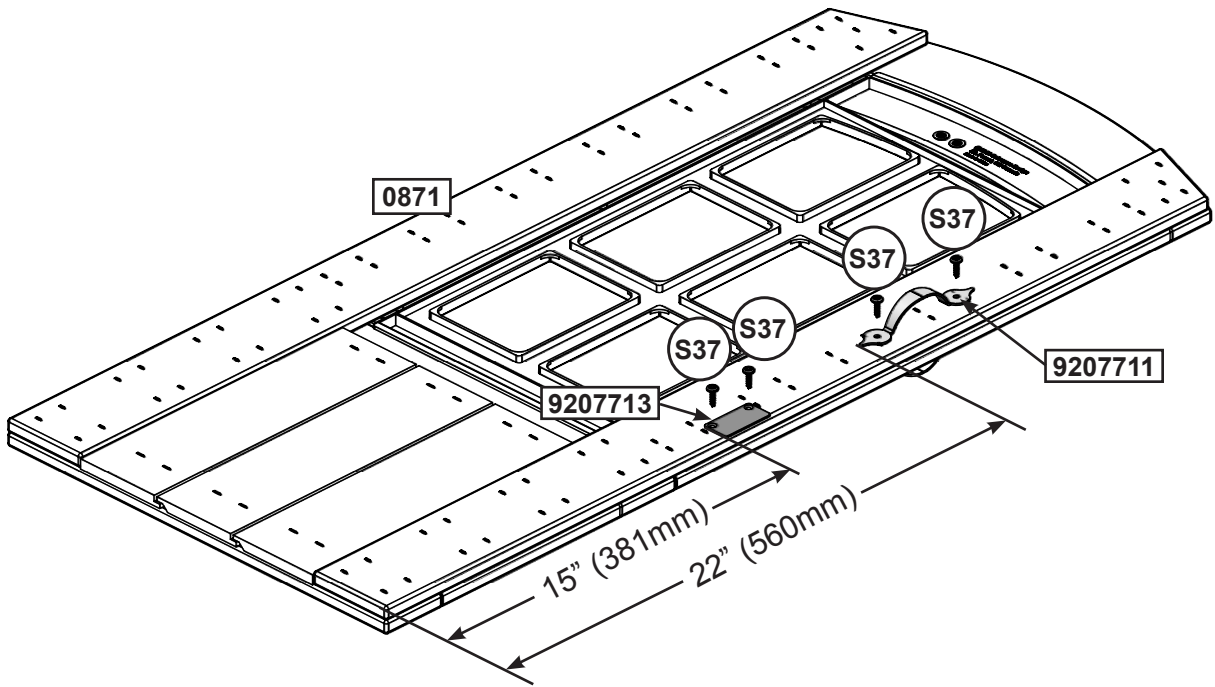
### Hardware

2 x S37 #7 x 5/8" (15.9mm)

### Other Parts

1 x 9207711

# Step 9



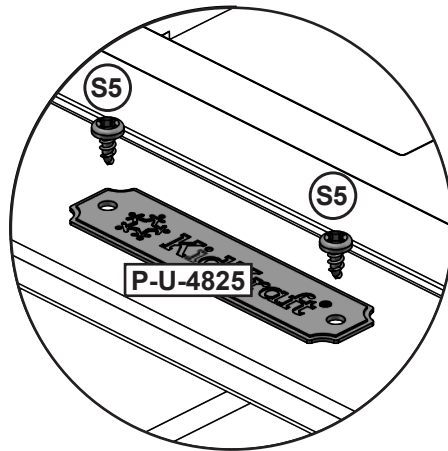
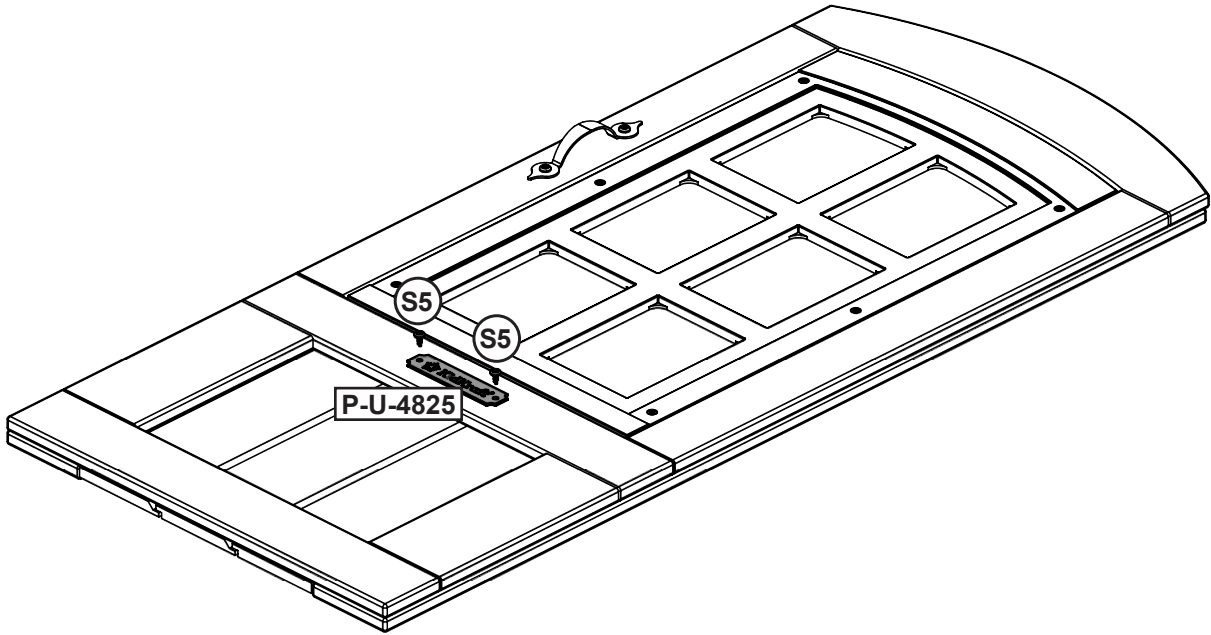
### Hardware

4 x (S37) #7 x 5/8" (15.9mm)


### Other Parts

1 x 9207711  
1 x 9207713

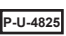
# Step 10



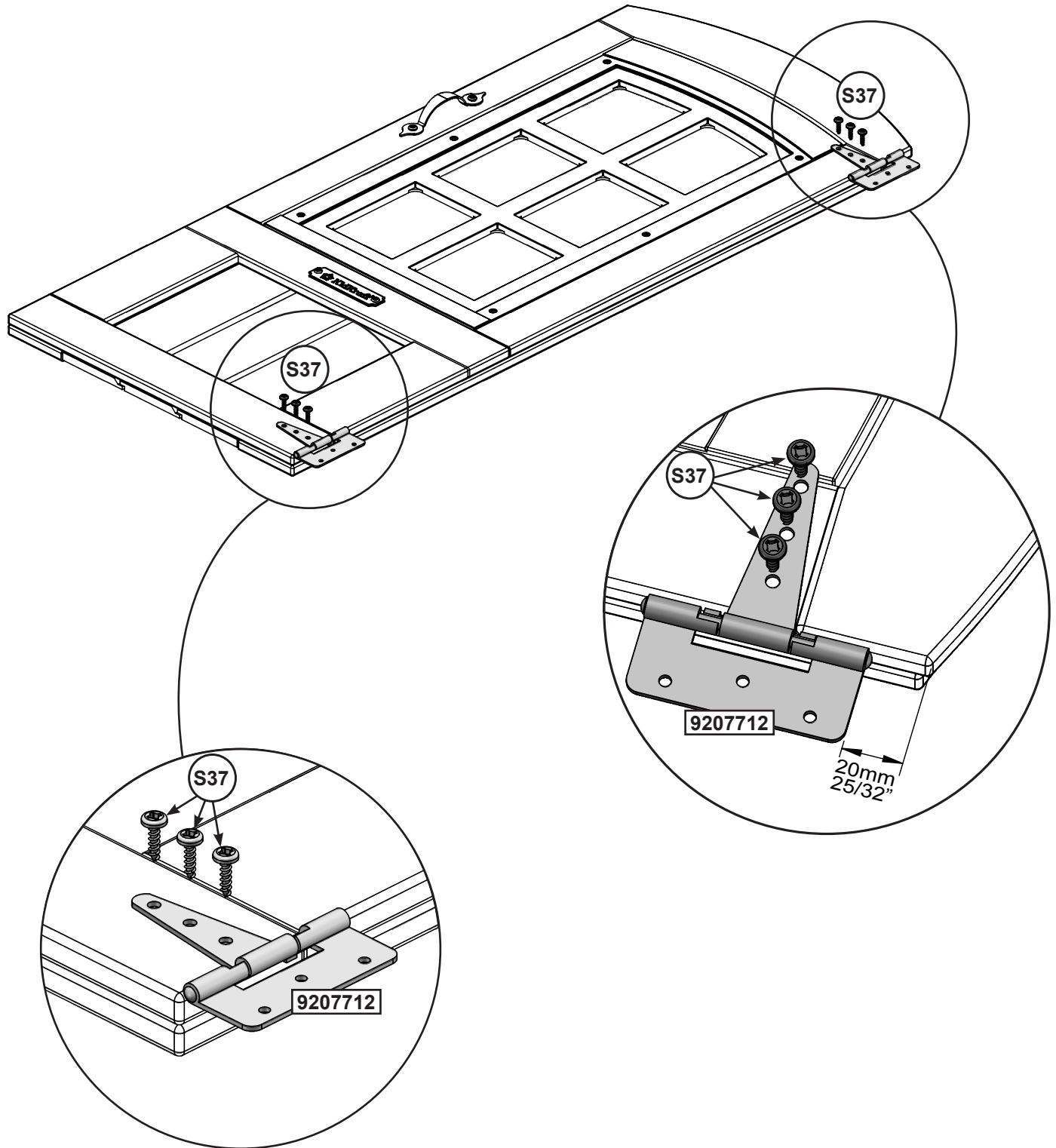
### Hardware

2 x  #8 x 1/2" (12.7mm)

### Other Parts

1 x 

# Step 11



## Hardware

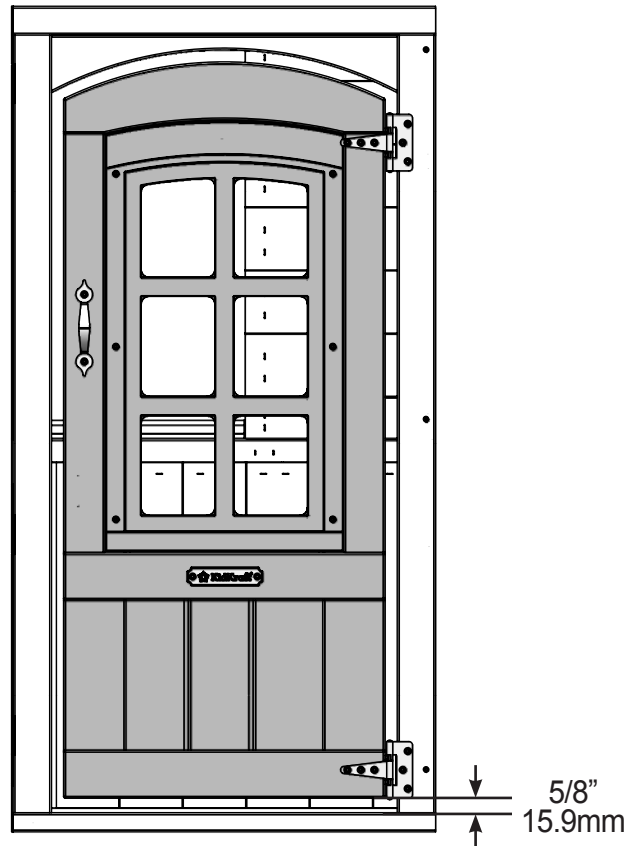
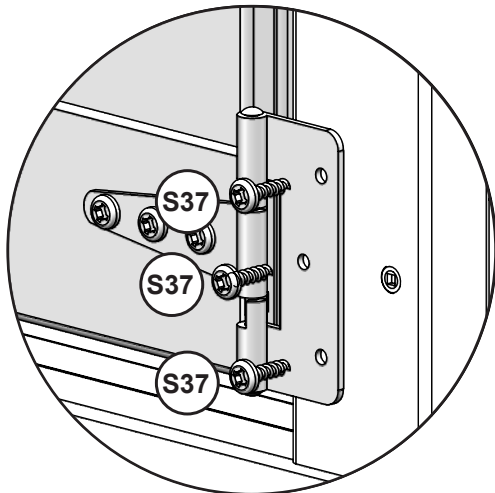
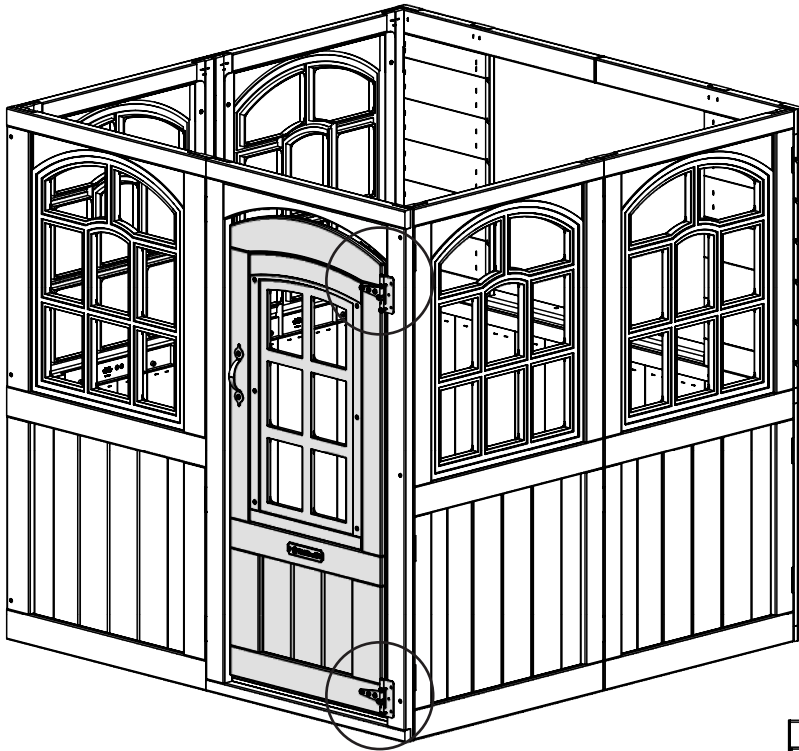
6 x S37 #7 x 5/8" (15.9mm)

## Other Parts

2 x 9207712



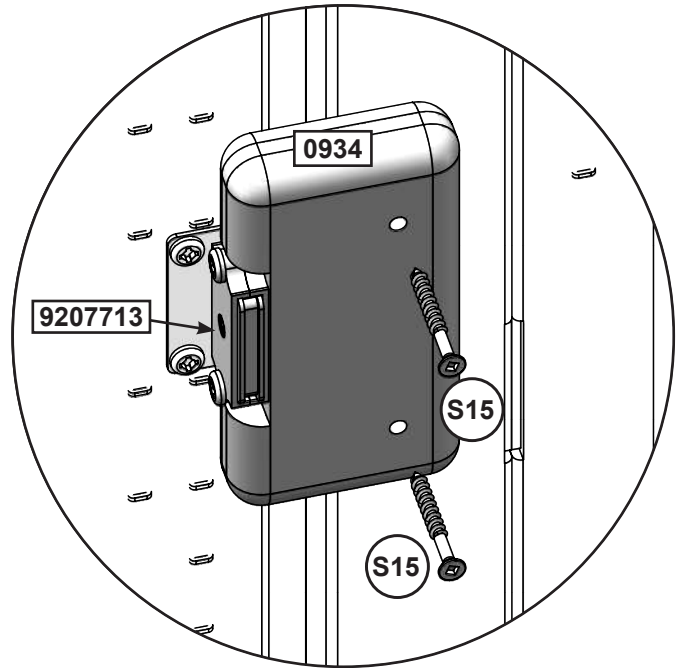
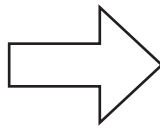
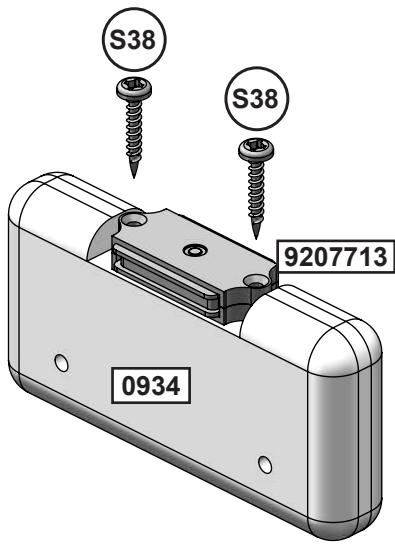
# Step 12



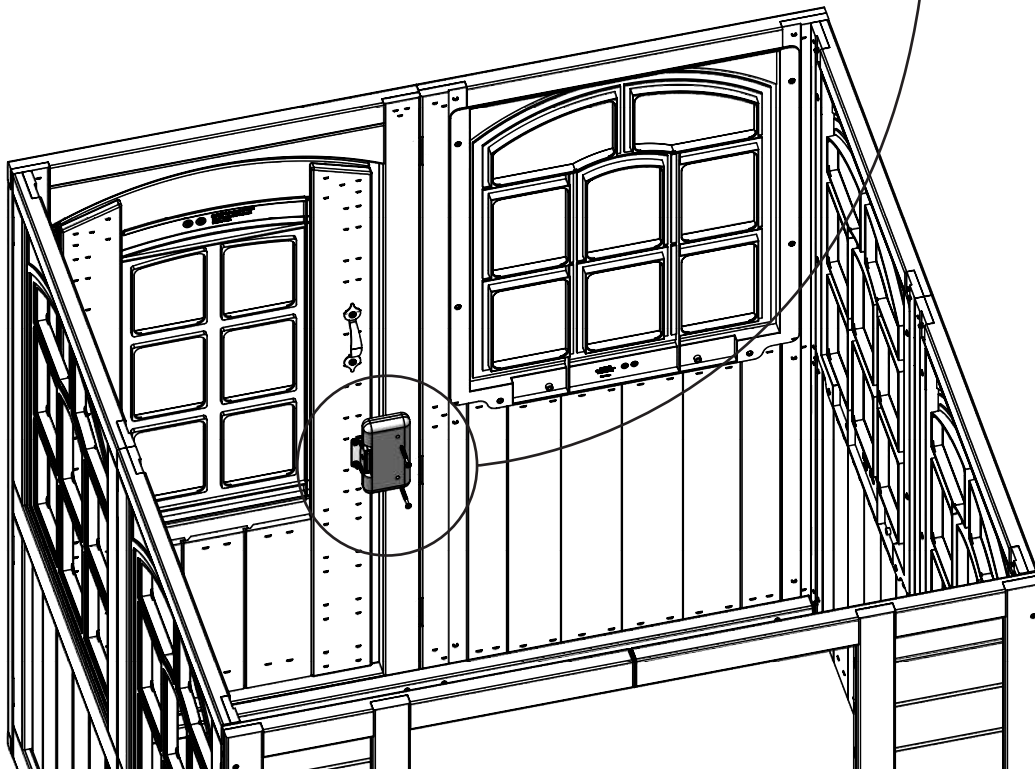
### Hardware

6 x S37 #7 x 5/8" (15.9mm)

# Step 13



**Important: Use a hand held screw driver and DO NOT over tighten.**



### Wood Parts

1 x 0934 15/16 x 2-1/2 x 5" (23.8 x 63.5 x 127 mm)

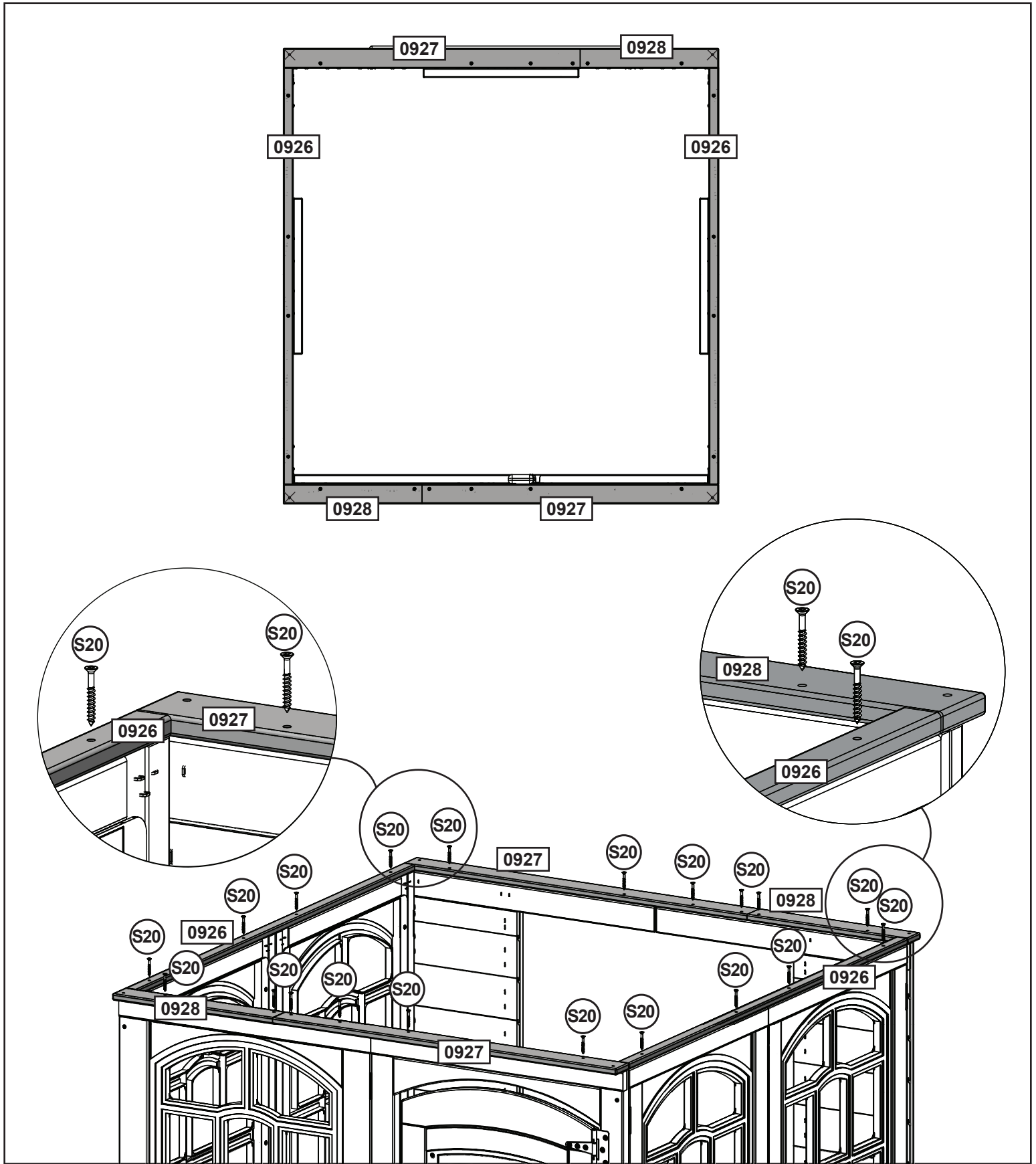
### Hardware

2 x S15 #8 x 1-3/4" (44.5mm)  
2 x S38 #7 x 1-1/8" (28.6mm)

### Other Parts

1 x 9207713

# Step 14



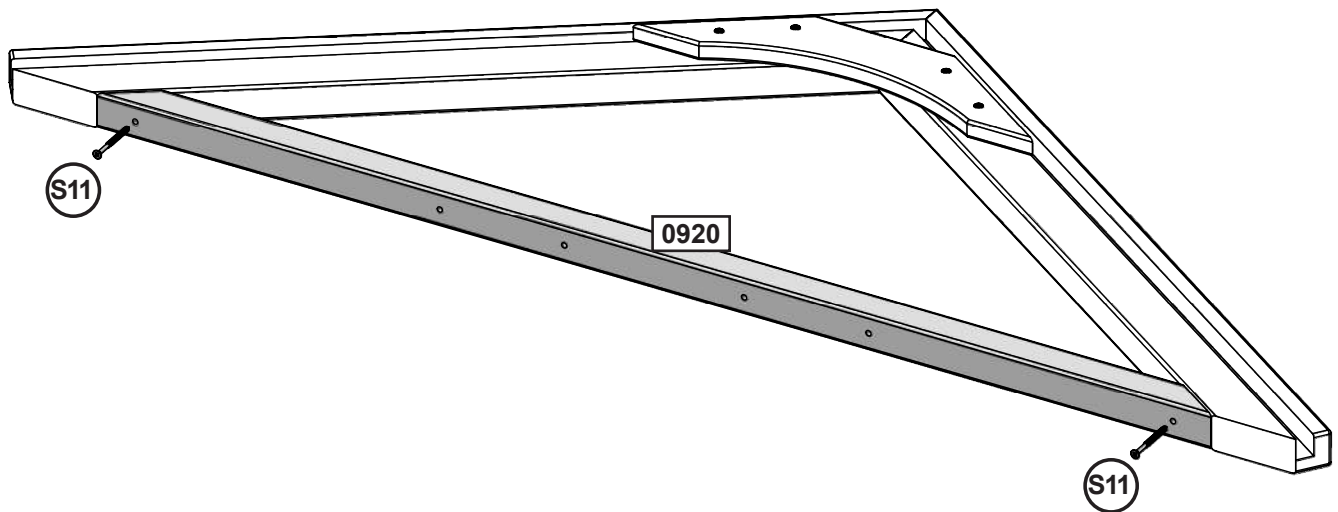
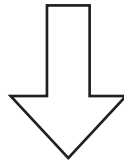
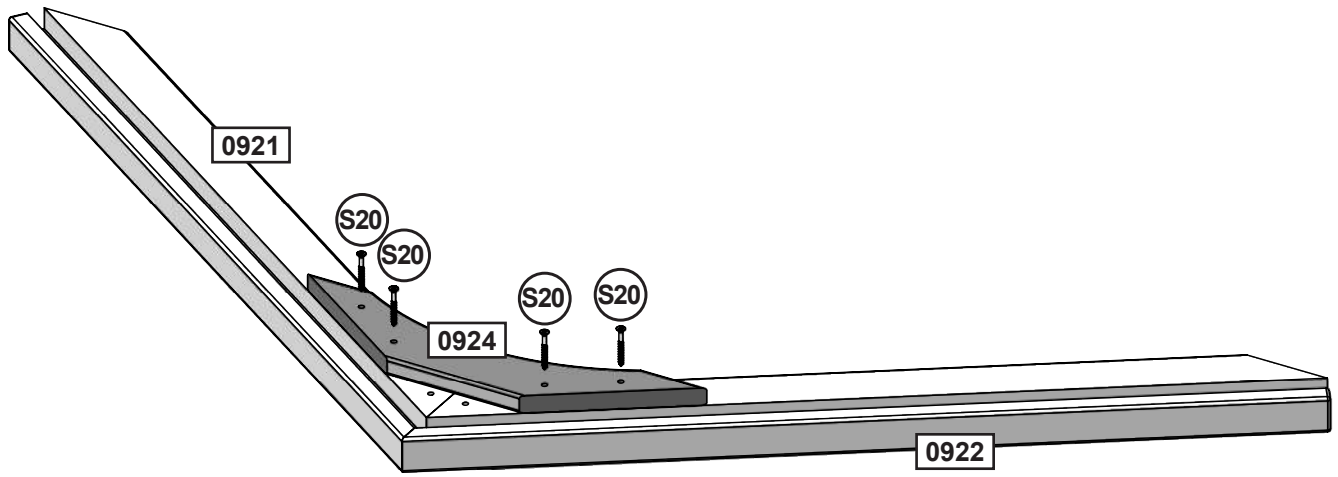
### Wood Parts

- 2 x 0926 1/2 x 1 x 42" (12.7 x 25.4 x 1066.8 mm)
- 2 x 0927 1/2 x 2 x 30" (12.7 x 50.8 x 762 mm)
- 2 x 0928 1/2 x 2 x 14" (12.7 x 50.8 x 355.6 mm)

### Hardware

- 20 x S20 #8 x 1-3/8" (34.9mm)

# Step 15 x 2



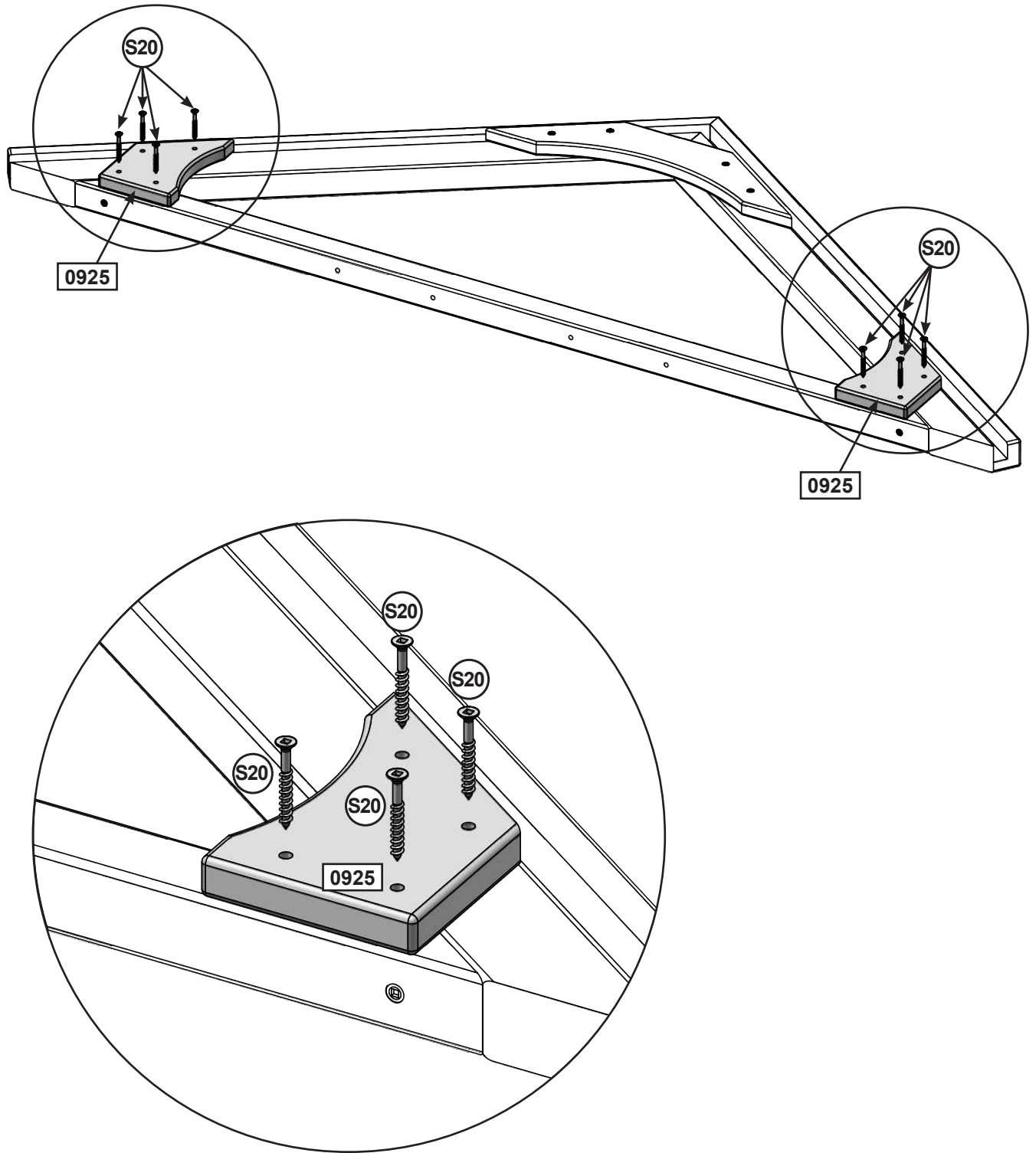
## Wood Parts

|          |  |          |  |
|----------|--|----------|--|
| 2 x 0920 | 1-1/4 x 1-1/4 x 40-3/16" (31.8 x 31.8 x 1020.9 mm) | 2 x 0924 | 5/8 x 3-3/8 x 14-3/8" (15.9 x 85.7 x 365.8 mm) |
| 2 x 0921 | 1-1/4 x 3 x 29-1/8" (31.8 x 76.2 x 740 mm)         |          |  |
| 2 x 0922 | 1-1/4 x 3 x 29-1/8" (31.8 x 76.2 x 740 mm)         |          |  |

## Hardware

|         |                      |
|---------|----------------------|
| 8 x S20 | #8 x 1-3/8" (34.9mm) |
| 4 x S11 | #8 x 2" (50.8mm)     |

# Step 16 x 2



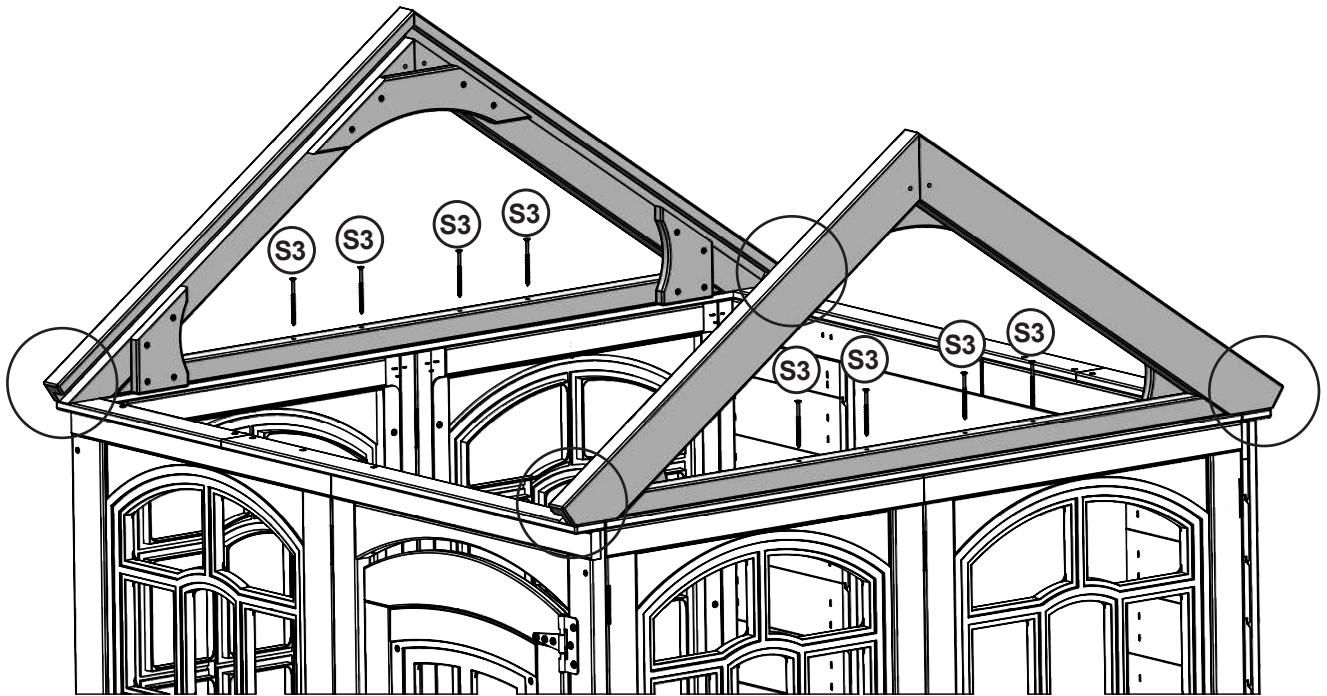
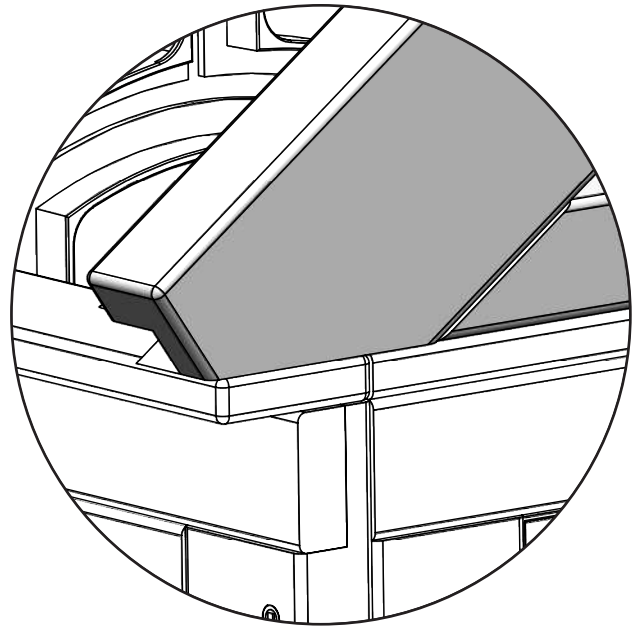
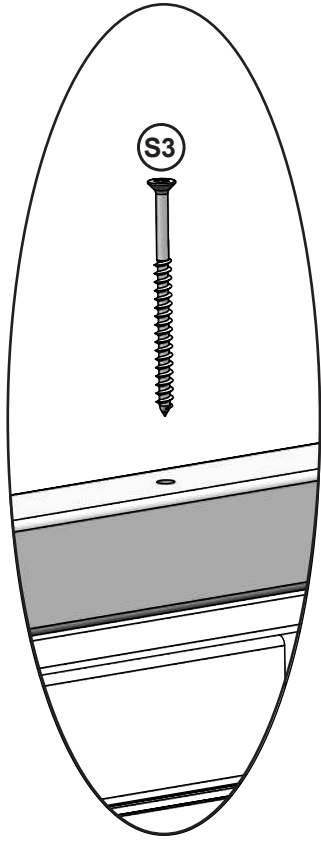
## Wood Parts

4 x **0925** 5/8 x 3-3/8 x 5-1/4" (15.9 x 85.7 x 133.4 mm)


## Hardware

16 x **S20** #8 x 1-3/8" (34.9mm)

# Step 17

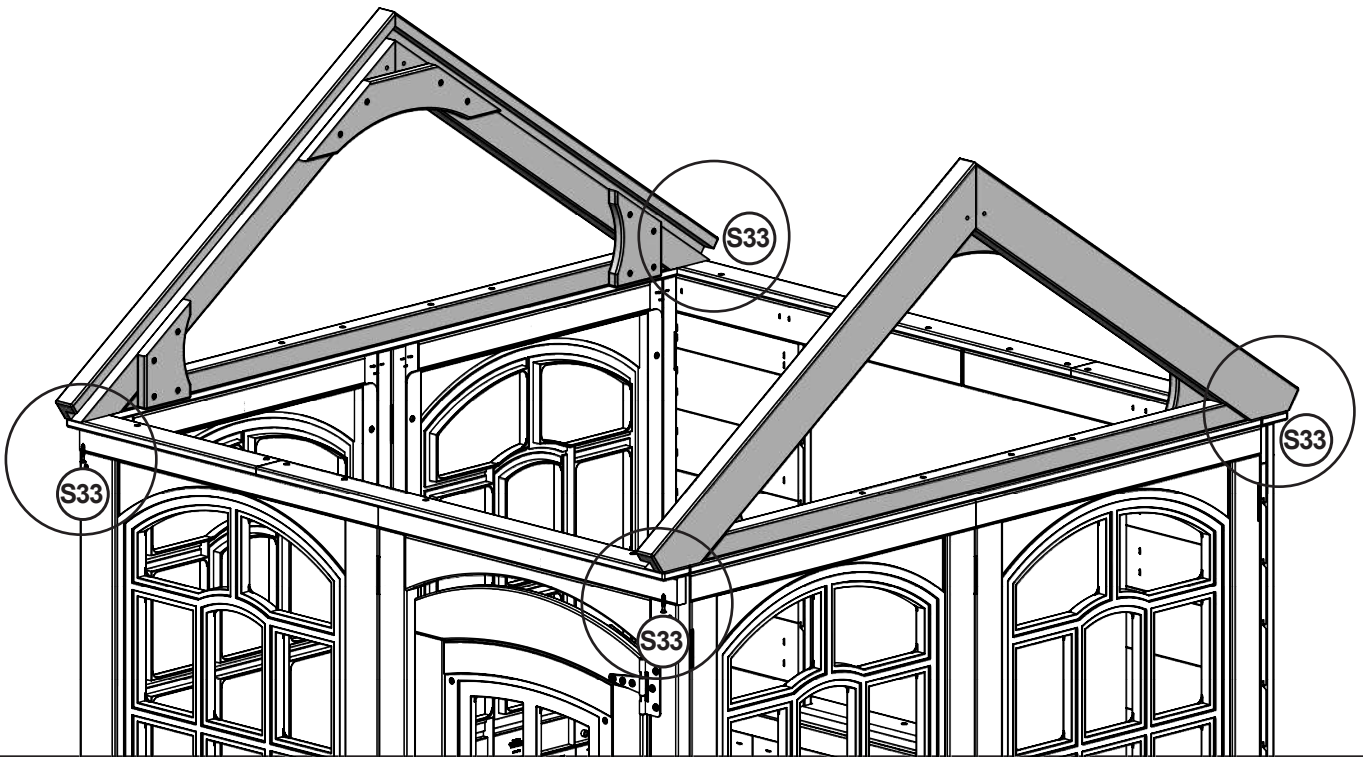
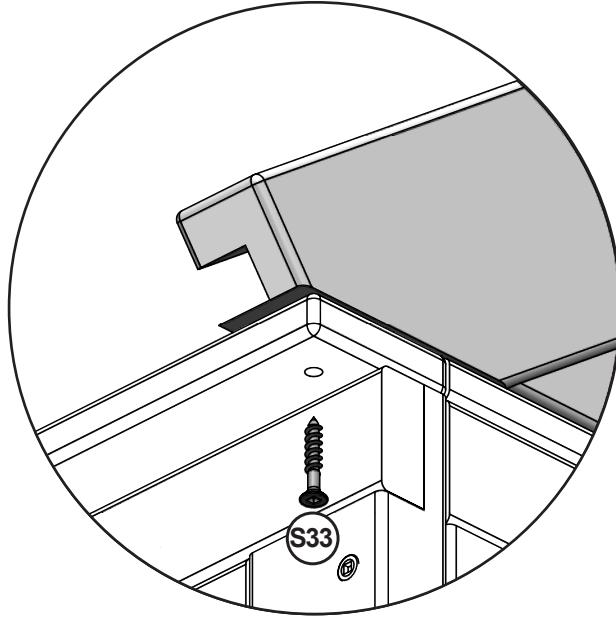


### Hardware


8 x  #8 x 2-1/2" (63.5mm)



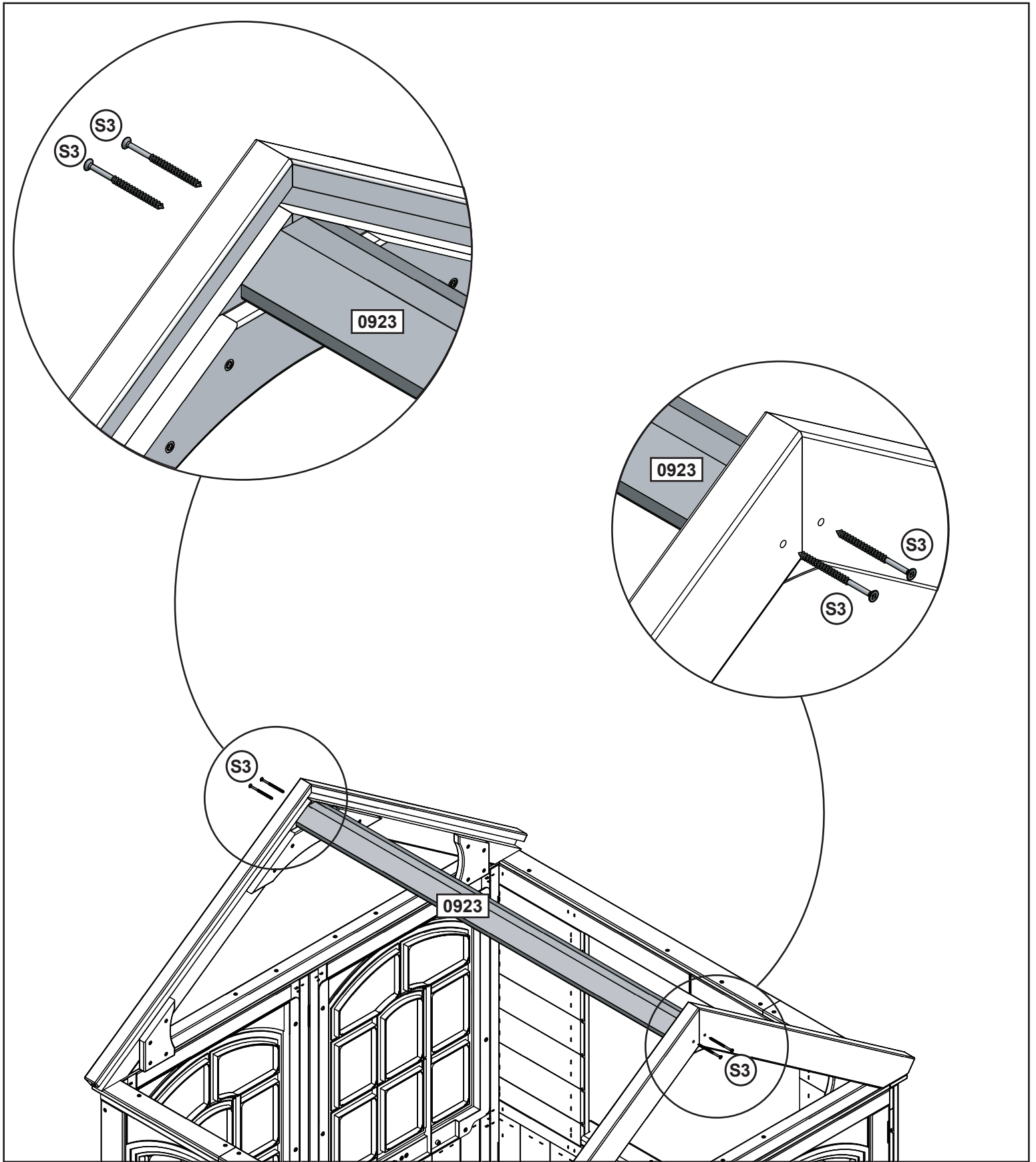
# Step 18



## Hardware

4 x  #8 x 1" (25.4mm)

# Step 19



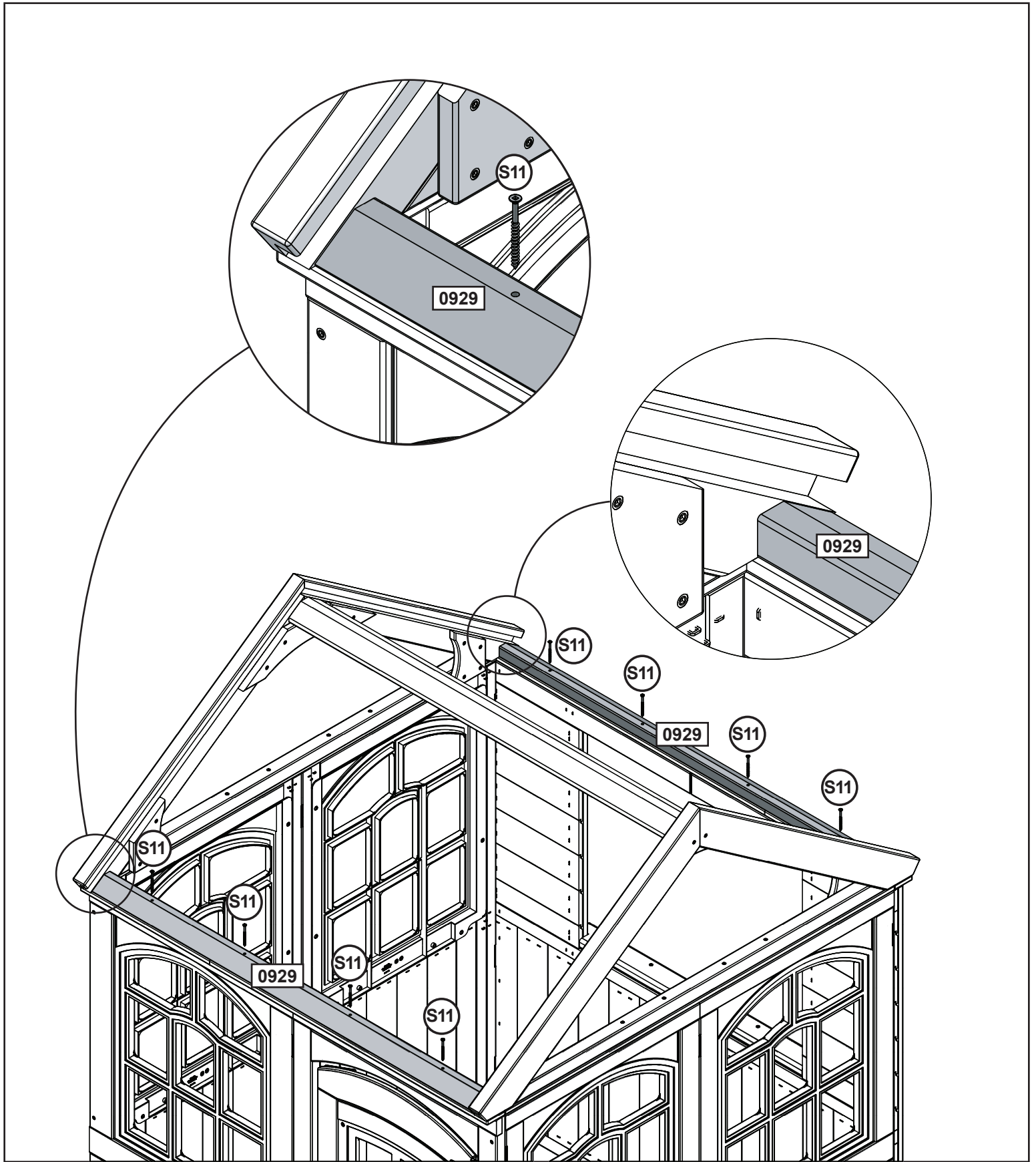
### Wood Parts

1 x **0923** 1-3/8 x 3-3/8 x 41-1/2" (34.9 x 85.7 x 1054 mm)

### Hardware

4 x **S3** #8 x 2-1/2" (63.5mm)

# Step 20



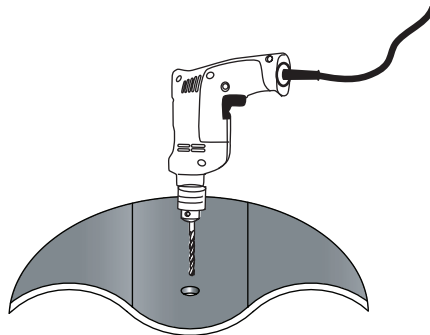
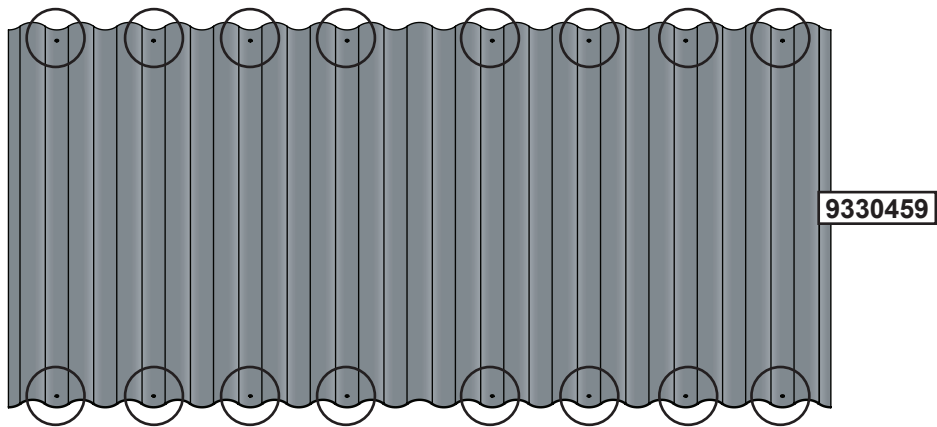
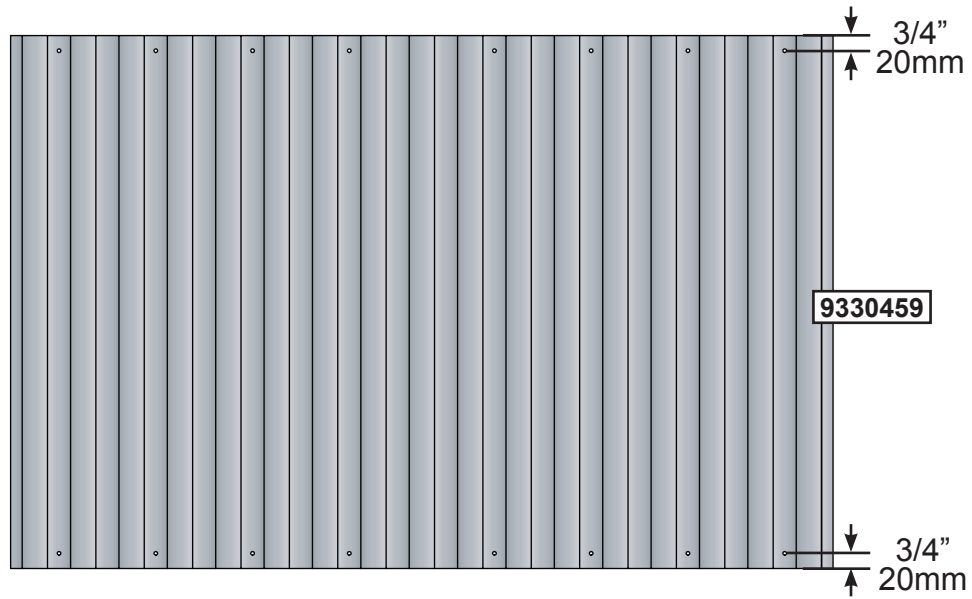
### Wood Parts

2 x **0929** 1 x 2 x 41-13/32" (25.4 x 50.8 x 1052 mm)

### Hardware

8 x **S11** #8 x 2" (50.8mm)

# Step 21 x 2

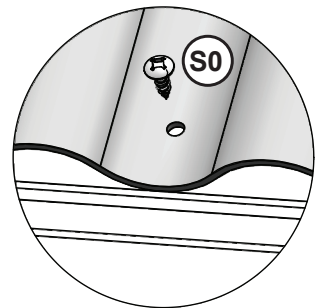
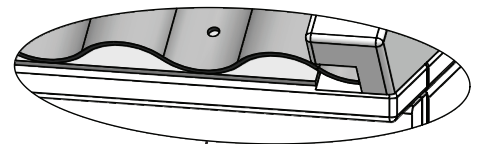
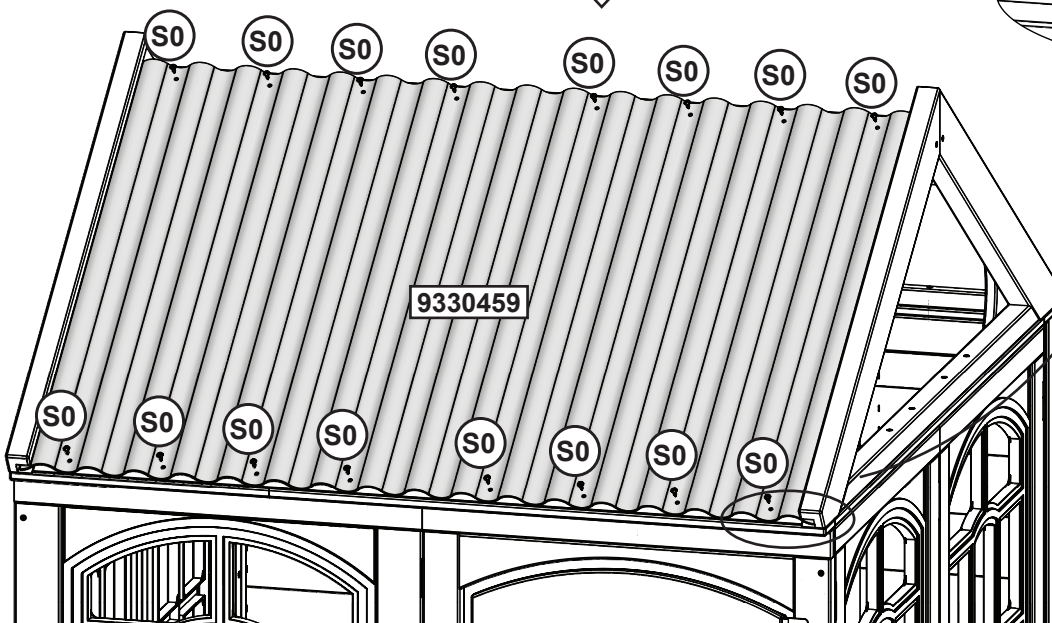
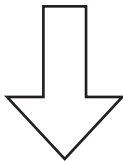
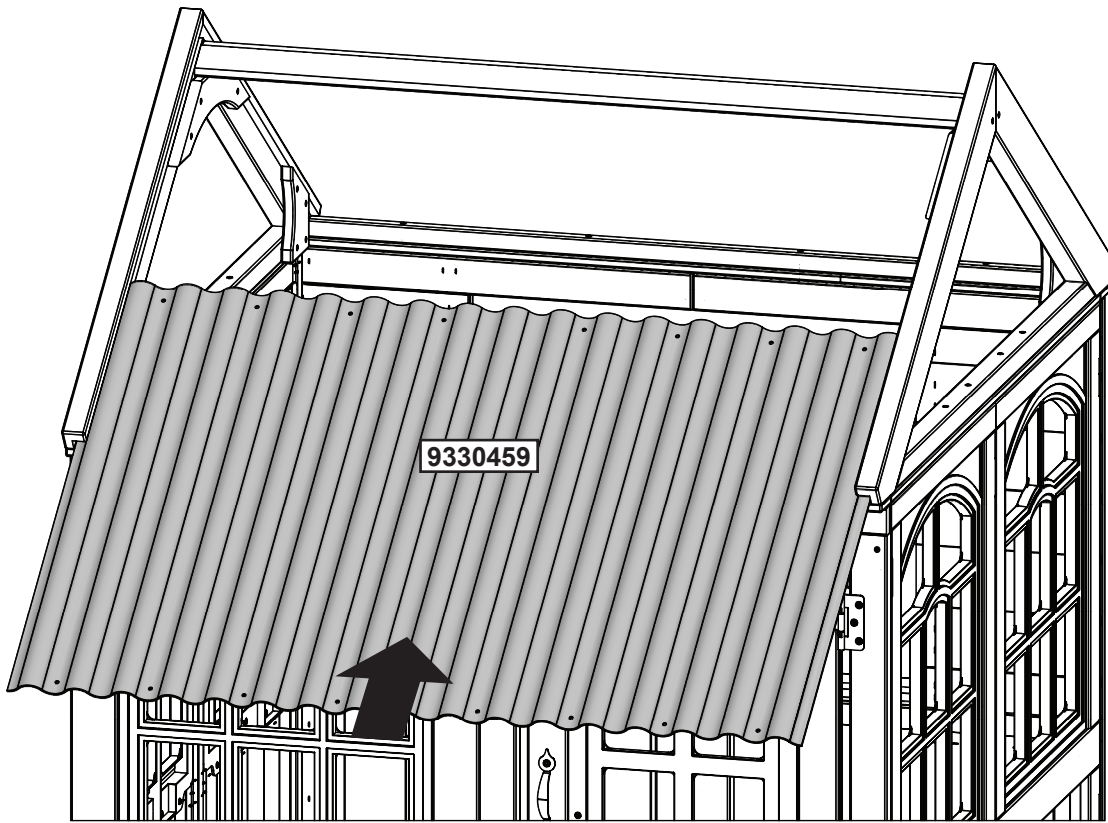


**Pre-drill each hole using a 1/8" drill bit.**


### Other Parts

1 x **9330459** (2pk)

# Step 22

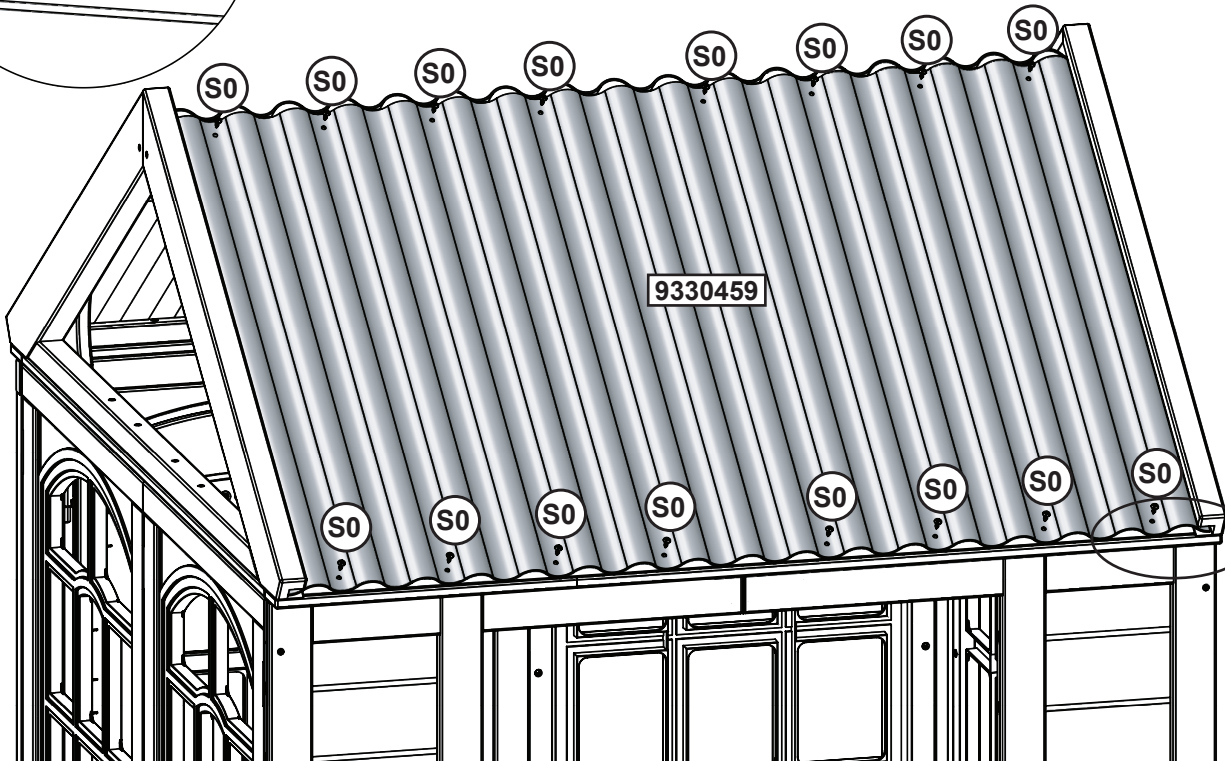
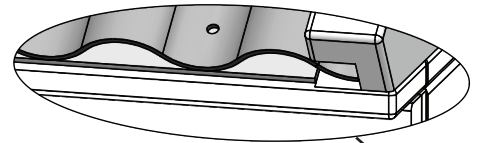
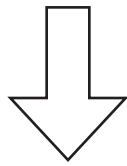
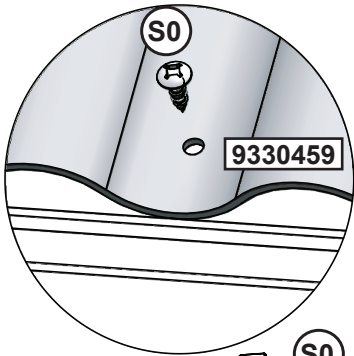


### Hardware


16 x  #8 x 7/8" (22.2mm)



# Step 23

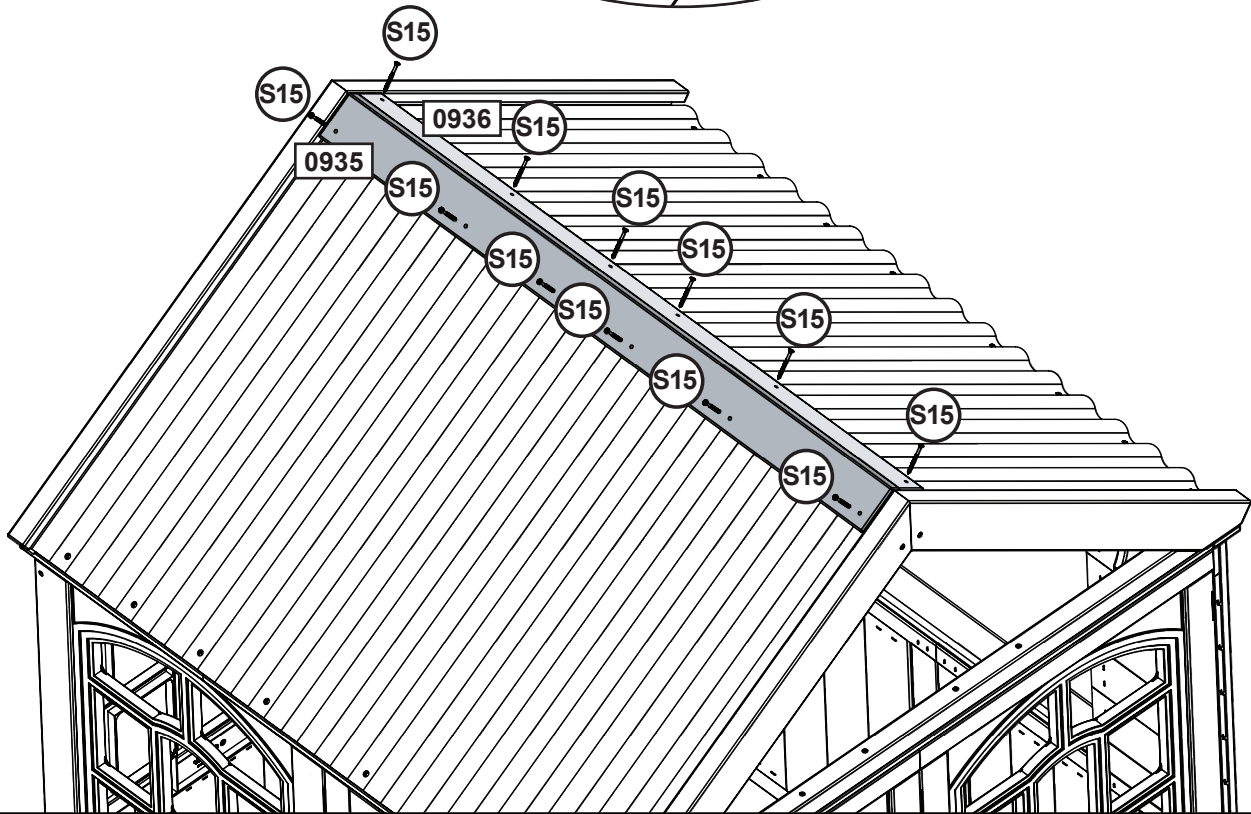
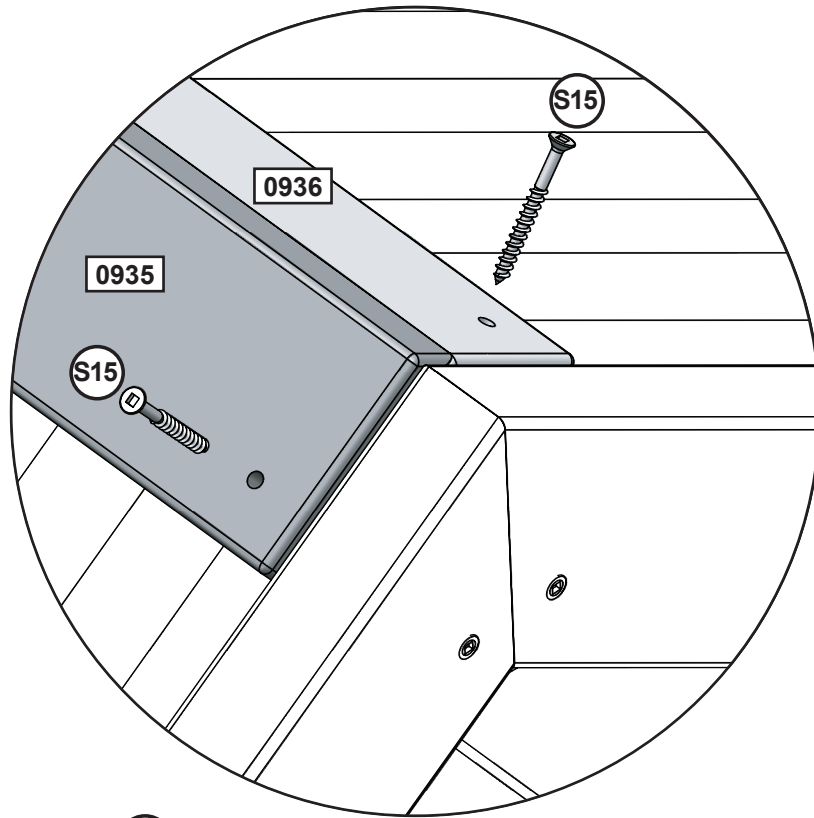


### Hardware

16 x  #8 x 7/8" (22.2mm)



# Step 24



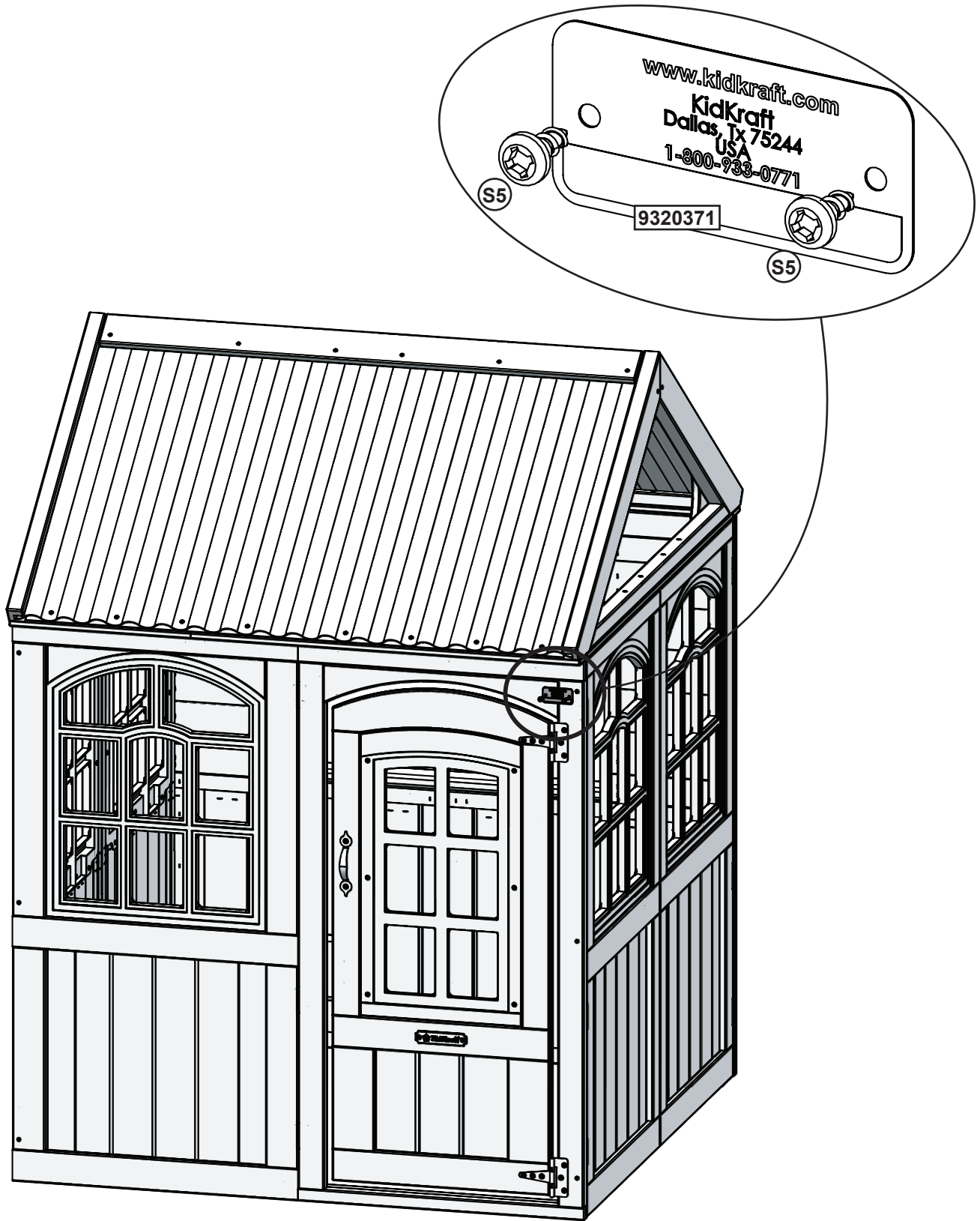
## Wood Parts

- 1 x 0935 5/8 x 3 x 41-11/32" (15.9 x 76.2 x 1050 mm)
- 1 x 0936 5/8 x 2-3/8 x 41-11/32" (15.9 x 59.3 x 1050 mm)

## Hardware

- 12 x S15 #8 x 1-3/4" (44.5mm)

# Step 25



### Hardware

2 x (S5) #8 x 1/2" (12.7 mm)

### Other Parts

1 x [9320371]



## NOTES



