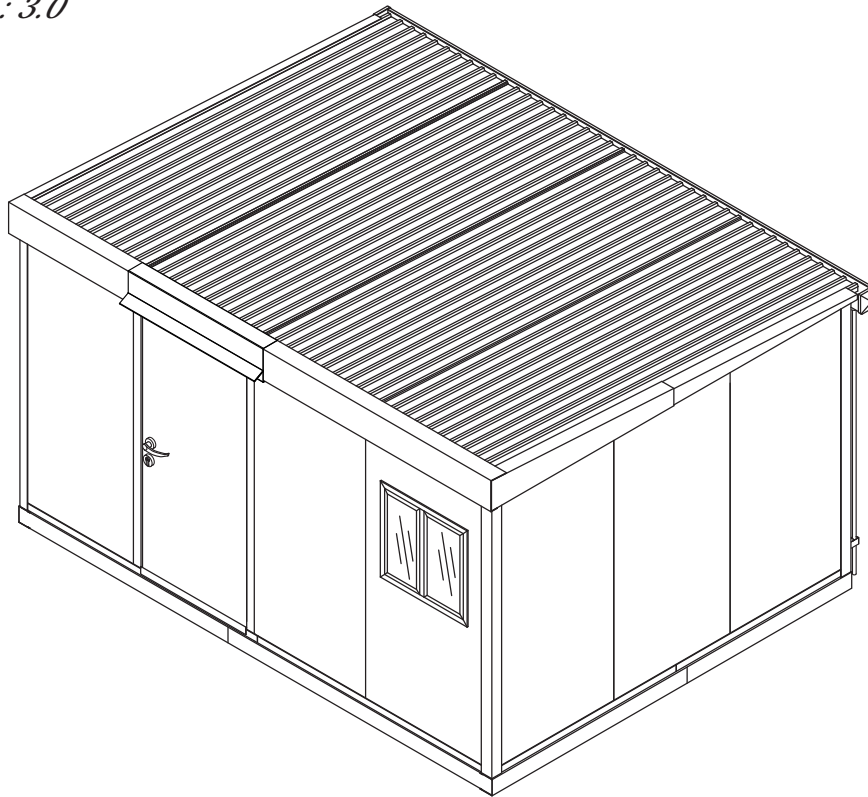


Insulated Cabin Flat Roof

OWNER'S MANUAL / Instructions for Assembly Size 10 Ft x 13 Ft / 3.1 Mtr. x 4.0 Mtr. (Approx.)

Ver. : 3.0



**Customer
Service Hotline**
(800) 483-4674
www.duramaxbp.com

- Strong & Secure Cabin
- Quick & Easy Assembly
- Metal Cladded Insulated Walls
- Wide Door with Lock
- Easily Expandable

Available Kits

- Window Kits Available

Call us for any missing or damaged parts.
Do not return to the store.

Building Dimensions :											
Approximate Size	Storage		Exterior Dimension				Interior Dimension		Door Opening		
	Area	Volume	Base Dimension		Roof Edge to Edge		Wall to Wall				
			inch	cm.	inch	cm.	inch	cm.	inch	cm.	
10 Ft x 13 Ft	129 Sq. Ft.	878 Cu.Ft.	Width	159 1/4	404.5	164 1/2	418	157 1/8	399	35 3/4	91
3.1 Mtr. x 4.0 Mtr.	12 Sq.Mtr.	24.9 Cu.Mtr.	Depth	120 1/2	306	127 1/8	323	118 1/8	300		
			Height			92	233.5	81 3/4	208	82 3/4	210

Duramax Insulated Shed Limited Seven Year Warranty

U.S. Polymer Inc. will send a replacement part free of charge, in the event of material defects and or workmanship for a period of seven years from the date of purchase.

This warranty is extended only to the original purchaser. A purchase receipt or other proof of date of original purchase will be required before warranty service is rendered. In no event shall we pay the cost of flooring, labor, installation or any other costs related thereto.

This warranty only covers failures due to defects in material or workmanship which occurs during normal use and does not extend to color change arising due to normal weathering or to damage resulting from misuse or neglect, commercial use, failure to follow assembly instructions and the owner's manual (including proper anchoring of the shed), painting, forces of nature and other causes which is beyond our control.

Claims under this warranty must be made within the warranty period by calling 1-800-483-4674 or mail in a dated sales slip and clear photograph of the part to:

U.S. Polymers, Inc.
1057 S. Vail Ave,
Montebello, CA 90640.

We reserve the right to discontinue or change components. If a component has been discontinued or is not available,

U.S. Polymers, Inc. reserves the right to substitute a component of equal quality as may be compatible.

Limits and Exclusions

There are no express warranties except as listed above. The warrantor shall not be liable for incidental or consequential damages resulting from the use of this product, or arising out of any breach of this warranty.

All express warranties are limited to the warranty period set forth above. Some states do not allow the exclusion or limitation on how long an implied warranty lasts, so the above limitations may not apply to you.

This warranty gives you specific legal rights and you may also have other rights which vary from state to state or country to country.

Parts List

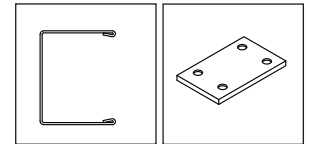


PROFILES

Note: Check all parts prior to installation.

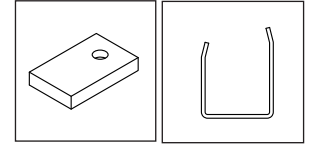
PARTS			
CODE	QTY	CODE	QTY
F1D	2	RFD	1
F2D	2	RF2D	1
F3D	4	RF3D	1
F4D	4	RF4D	1
F5D	2	RF5D	1
F6D	2	RF6D	1
F7D	4	RF7D	1
F8D	18	GLD	1
F9D	4	GRD	1
F10D	8	GJD	1
F11D	8	TS1D	2
BC1D	2	TS2D	2
BC2D	2	TS3D	2
BC3D	2	TS4D	3
BC4D	2	PC1D	1
TC1D	1	PC2D	1
TC2D	1	RFSD	10
TC3D	1	GSD	4
TC4D	1	RSJD	6
TC5D	1	DCV4	1
TC6D	1	W1D	12
TC7D	1	W2D	1
TC8D	1	R1D	1
DCLD	1	R2D	2
DCRD	1	R3D	1
DSD	1	DC	1
DSTD	1	WINDOW	1
CC1	4	WINDOW Frame	1
CC2	2		
CC3	2		
RSD	3		

ACCESSORIES	
CODE	QTY
DNS	1
DFA4	1
P2BE	2
S2	473
S8	4
S3	2
S10	42
S12	12
S14	8
S15	24
S16	42
HC	3
SILICON CLEAR	2
DOOR LOCK	1
SUPER GLUE	1



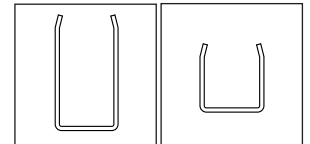
F1D, F2D, F3D, F4D, F5D, F6D, F7D, F8D, F9D

F10D



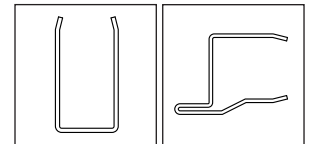
F11D

BC1D, BC2D, BC3D, BC4D



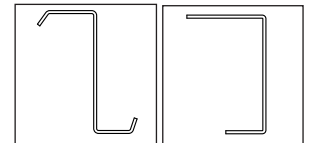
TC1D, TC2D

TC3D, TC4D



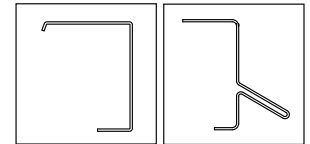
TC5D, TC6D, TC7D, TC8D

DCLD, DCRD, DSD, DSTD



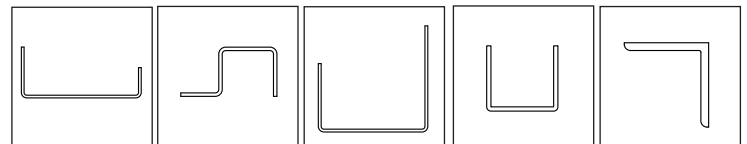
RSD

RFD, RF2D



RF3D, RF4D, RF5D, RF6D

RF7D



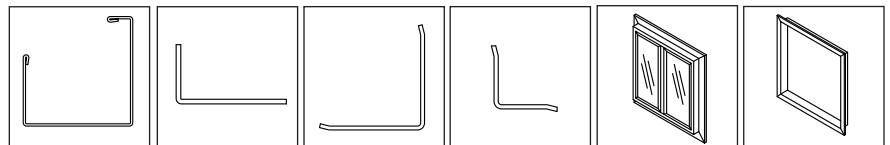
PC1D

PC2D

GJD

TS1D, TS2D, TS3D, TS4D

RSJD



GLD, GRD

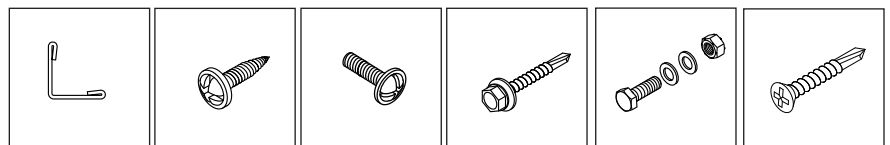
GSD

CC1

CC2, CC3

WINDOW

WINDOW FRAME



RFSD

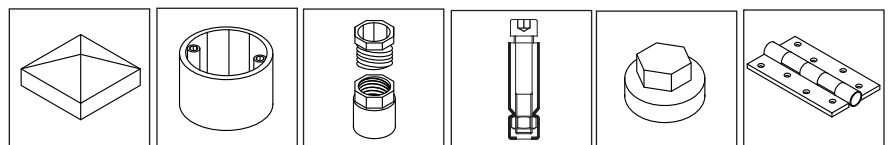
S2, S8

S3

S10

S12

S15



P2BE

DNS

DFA4

S14

S16

HC

Tools You Will Need

- Hand Gloves
- Cordless Drill - Philips Head
- Screw driver - Philips Head
- Carpenter's Square
- Eye Protector
- 8' Step Ladder
- Adjustable pliers
- Level - 3ft.
- Tape Measure
- Hammer or Rubber Mallet
- Caulk Gun
- 10mm Hex. Socket Bit
- 7.0mm Spanner

IMPORTANT : USE HAND GLOVES TO PREVENT INJURY.

A. Foundation & Base Assembly

Note: It is important that these instructions are followed step by step.

Note

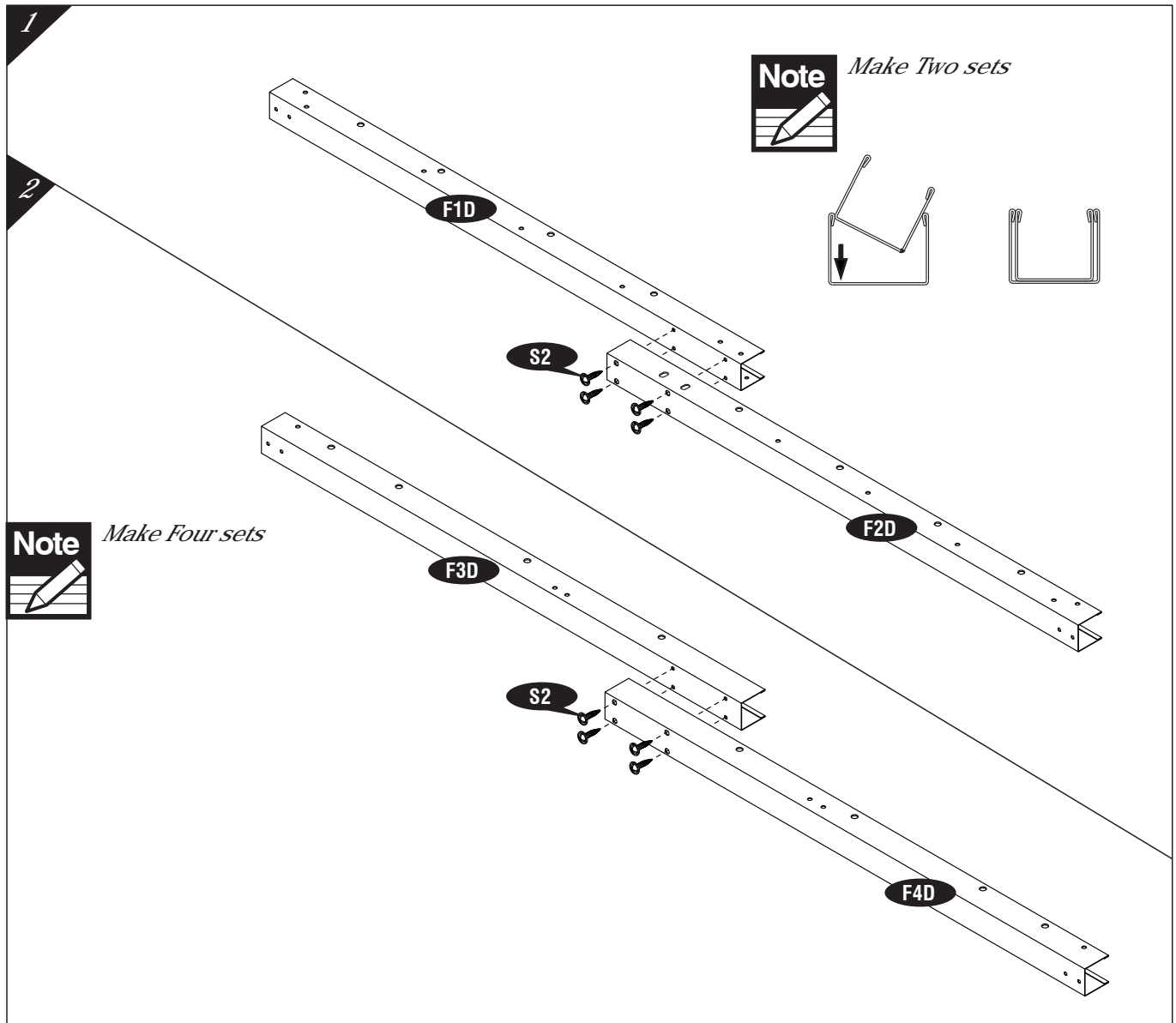


All parts are clearly marked and care should be taken to use the correct one.

Before Assembling Foundation make sure that the floor level should be perfect flat.

Parts needed:

CODE	QTY	CODE	QTY
F1D	2	F10D	8
F2D	2	F11D	8
F3D	4	BC1D	2
F4D	4	BC2D	2
F5D	2	BC3D	2
F6D	2	BC4D	2
F7D	4	S2	160
F8D	18	S14	8
F9D	4		

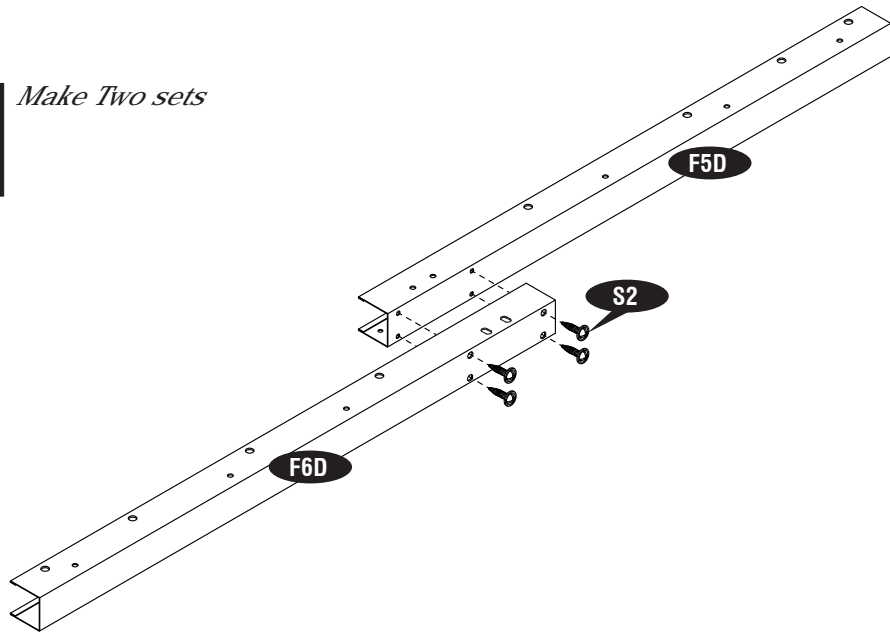


IMPORTANT : USE HAND GLOVES TO PREVENT INJURY.

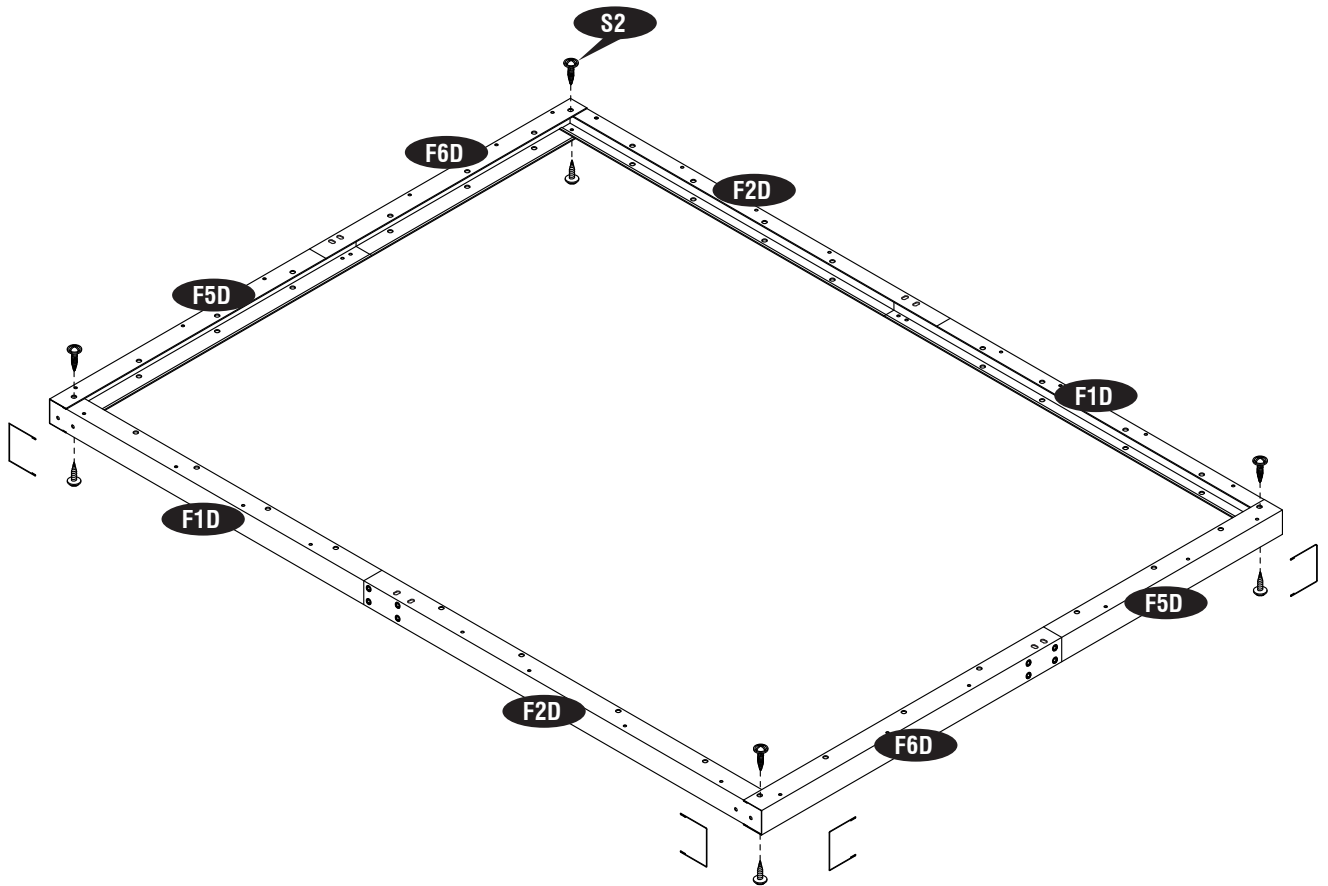
3



Make Two sets



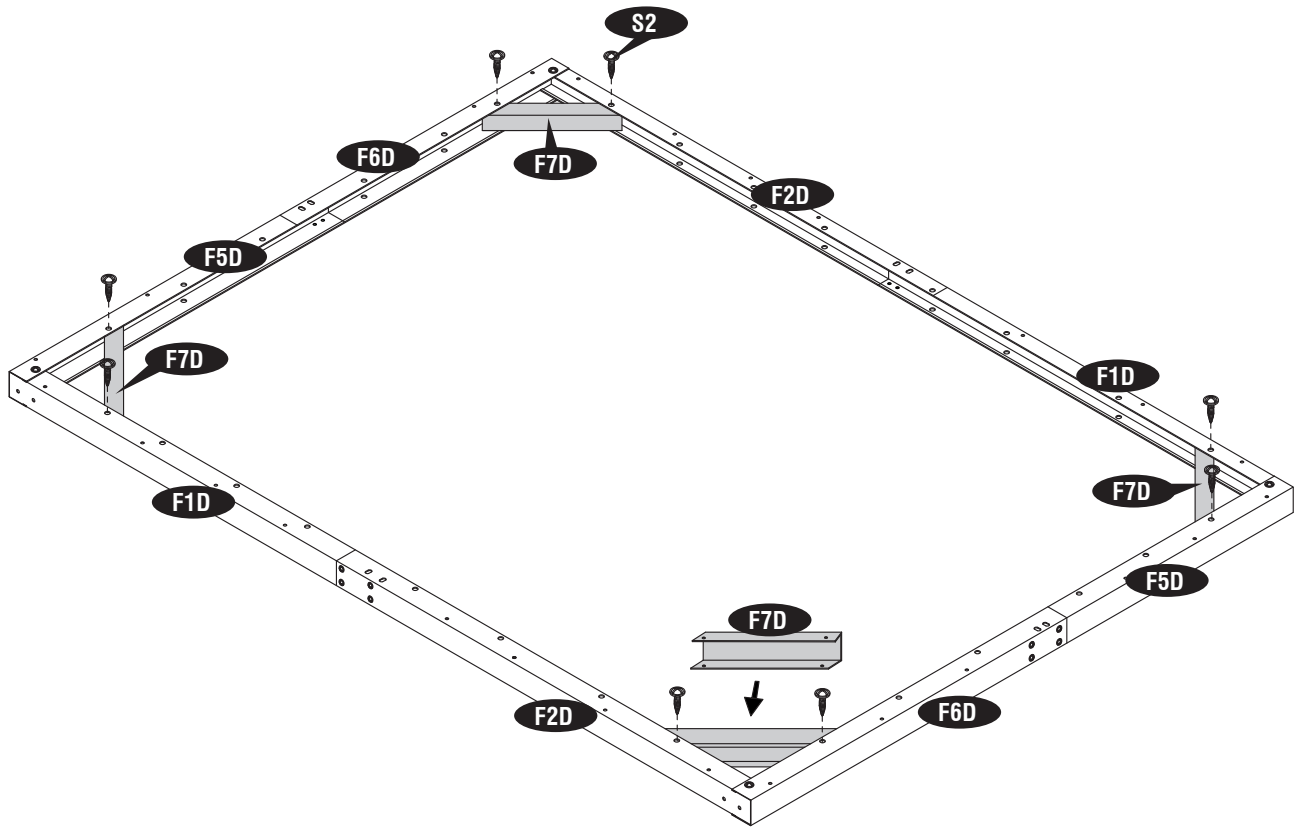
4



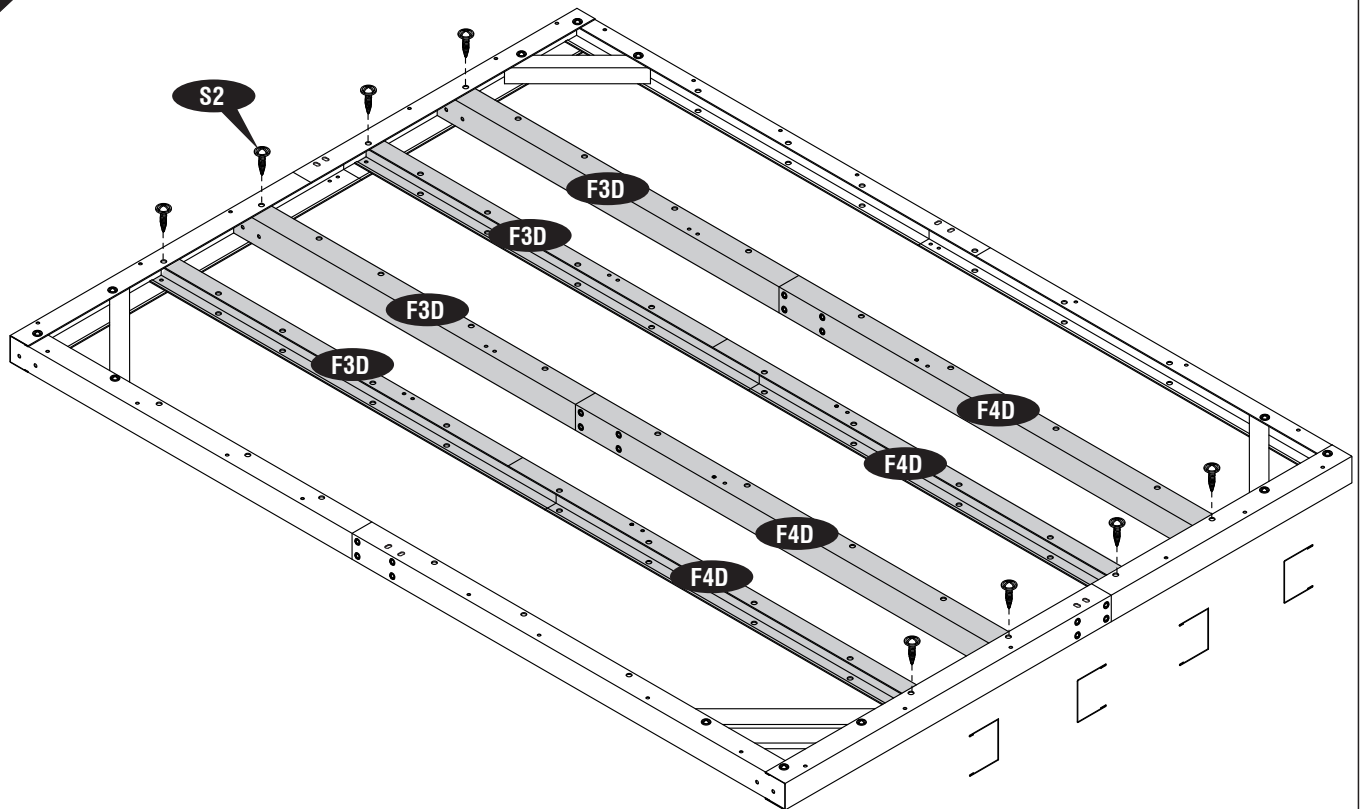
2

IMPORTANT : USE HAND GLOVES TO PREVENT INJURY.

5

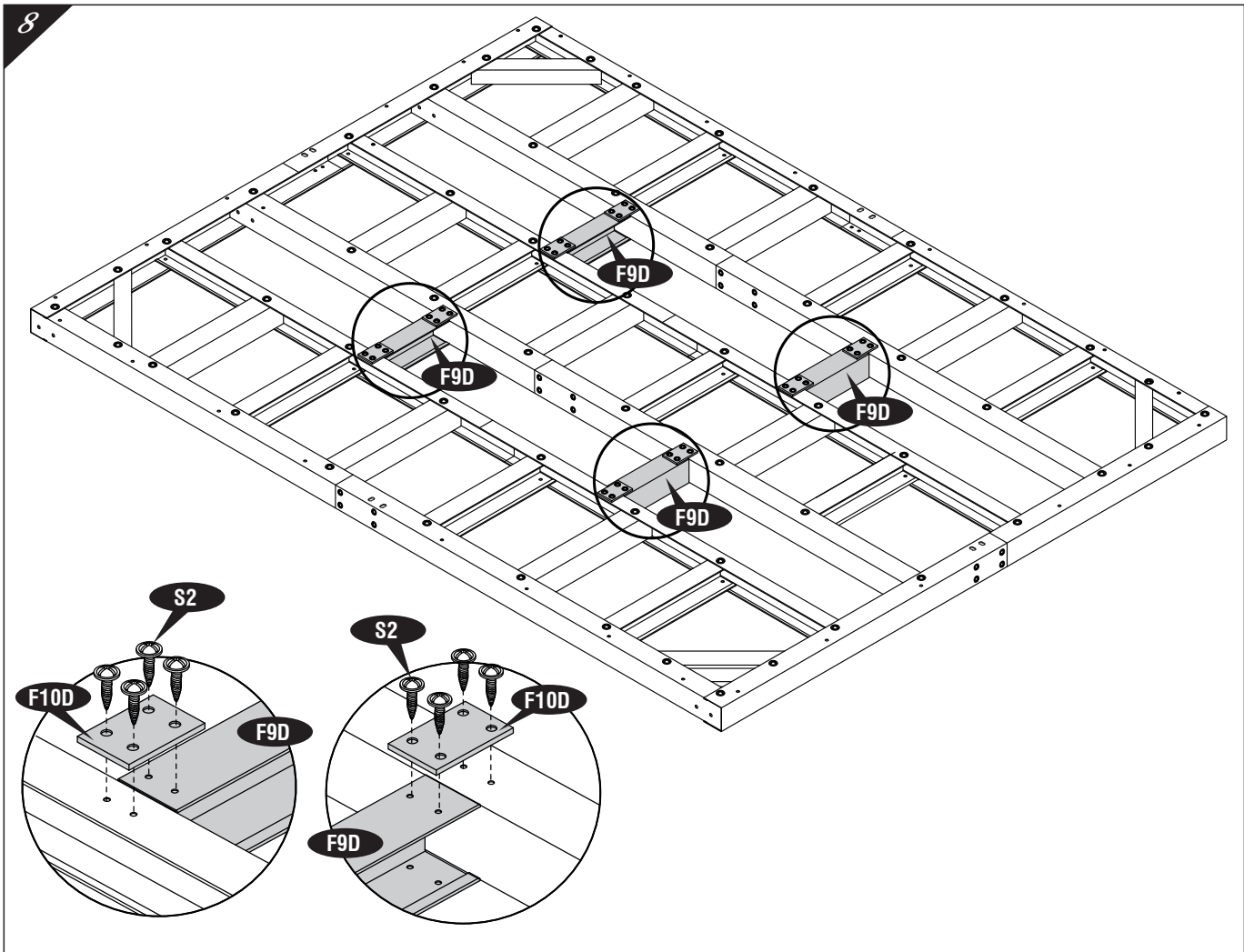
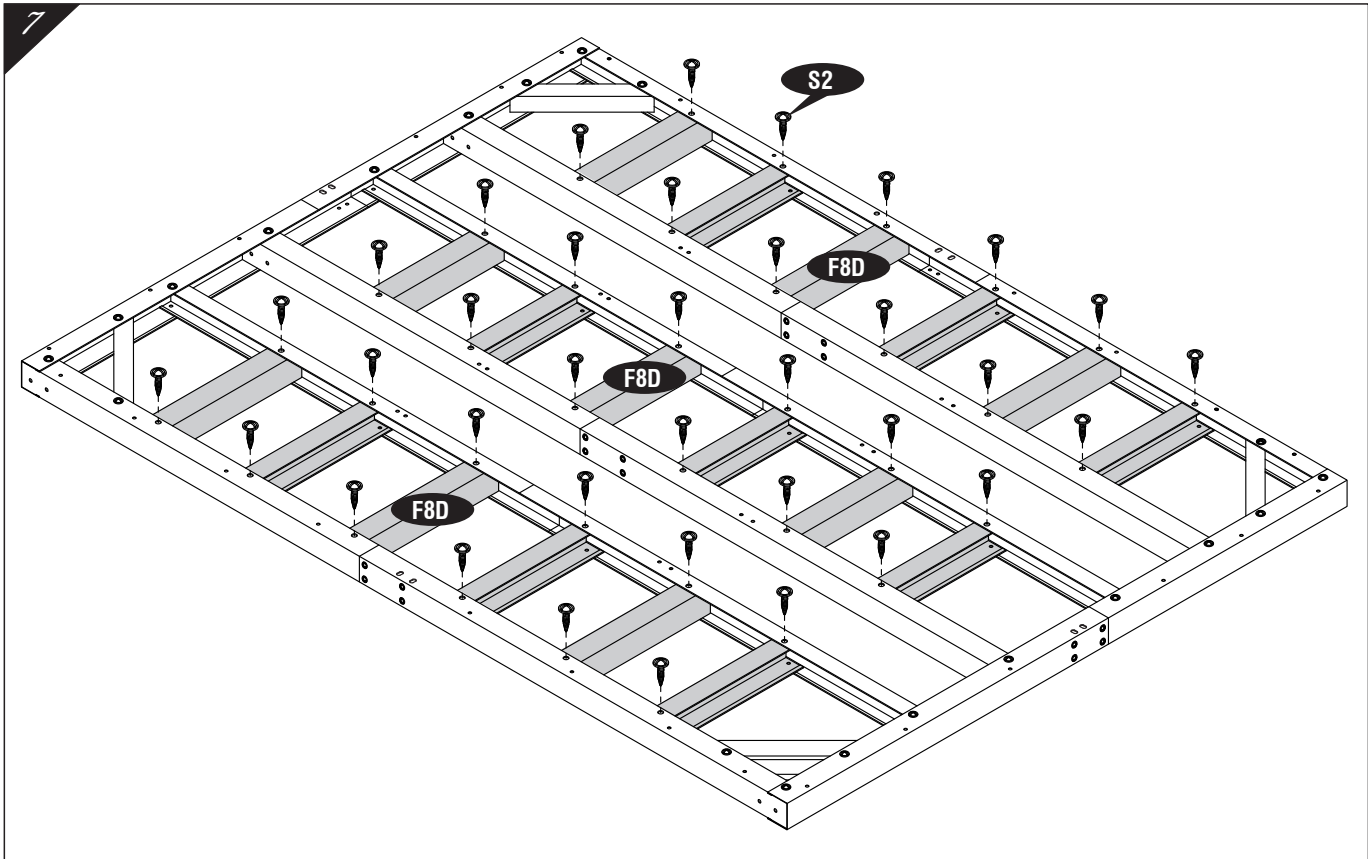


6



3

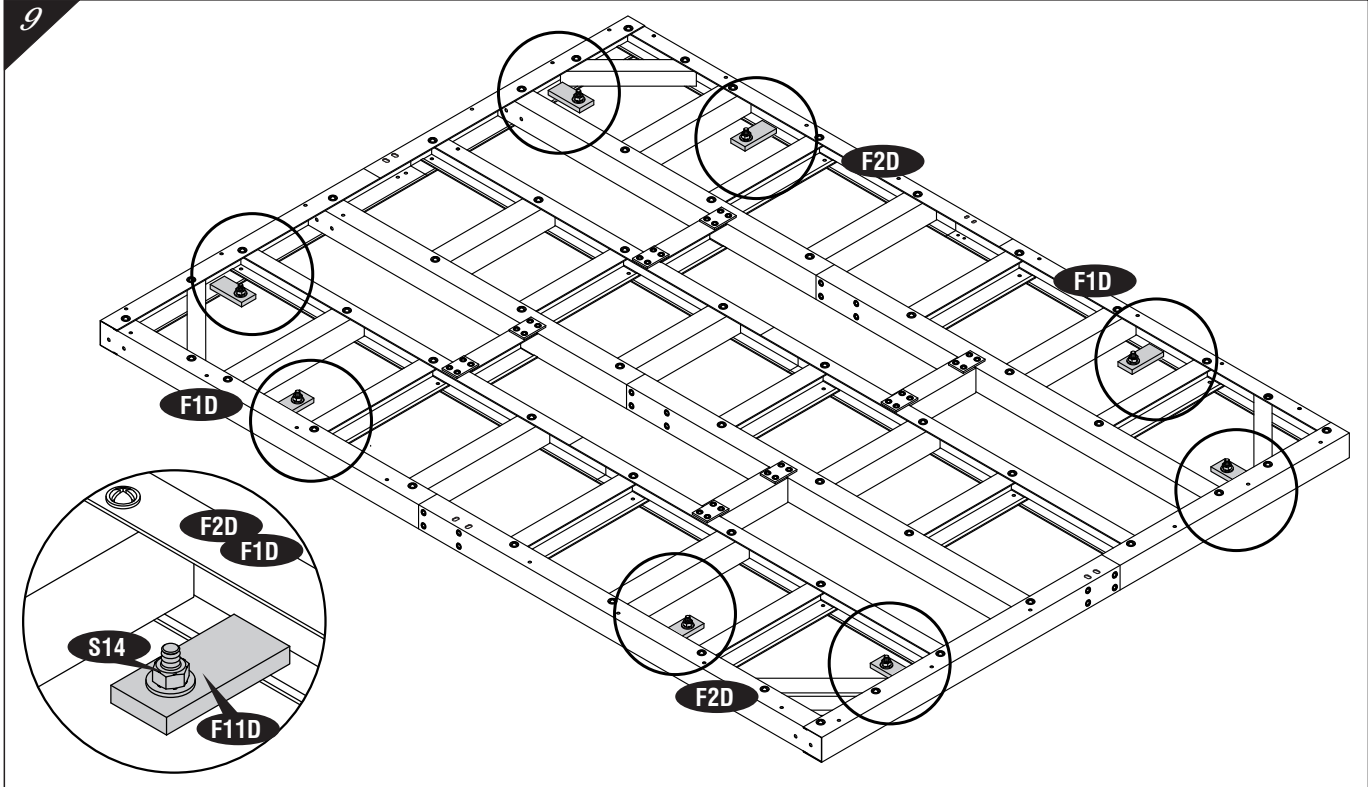
IMPORTANT : USE HAND GLOVES TO PREVENT INJURY.



4

IMPORTANT : USE HAND GLOVES TO PREVENT INJURY.

9



10

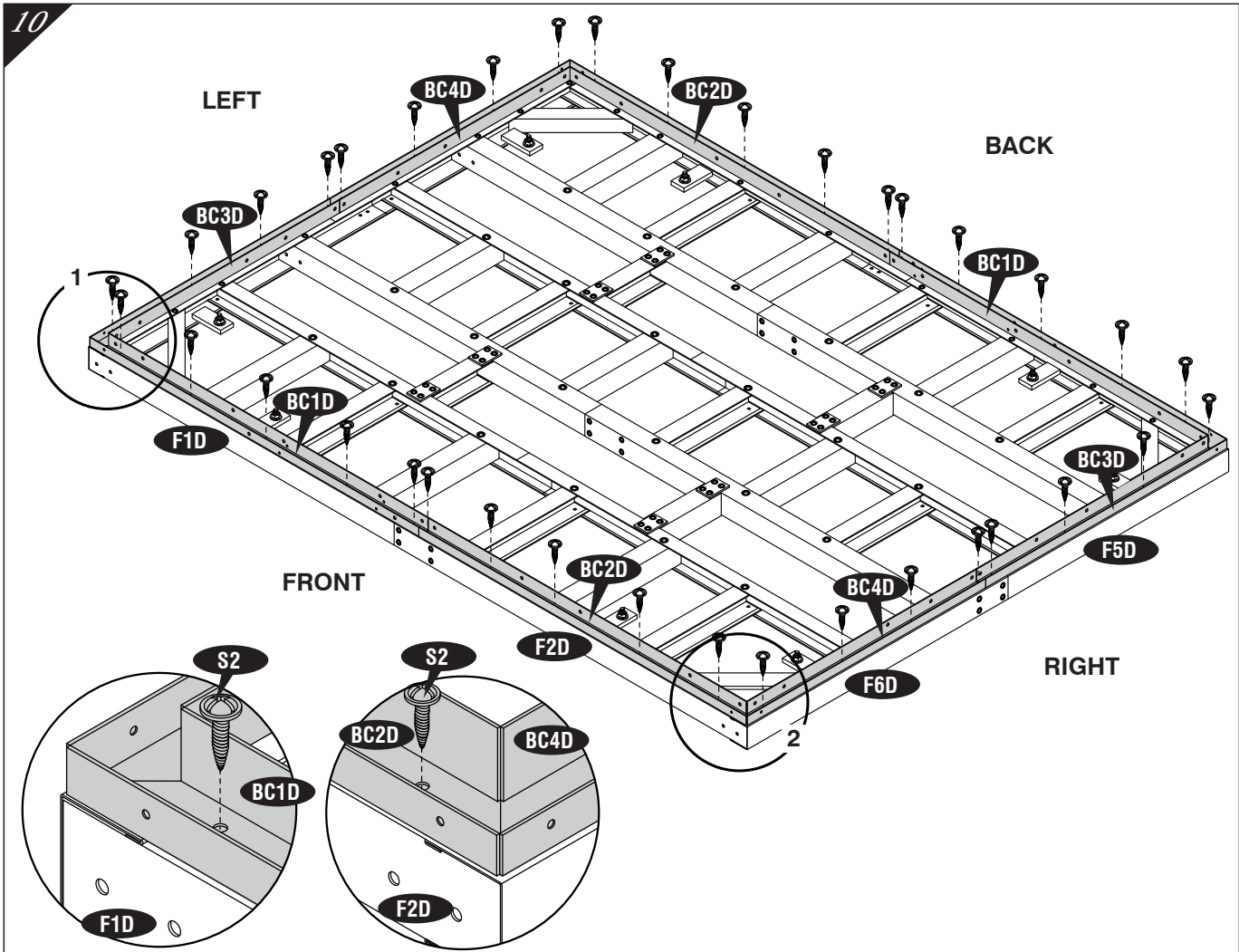


Fig. 1

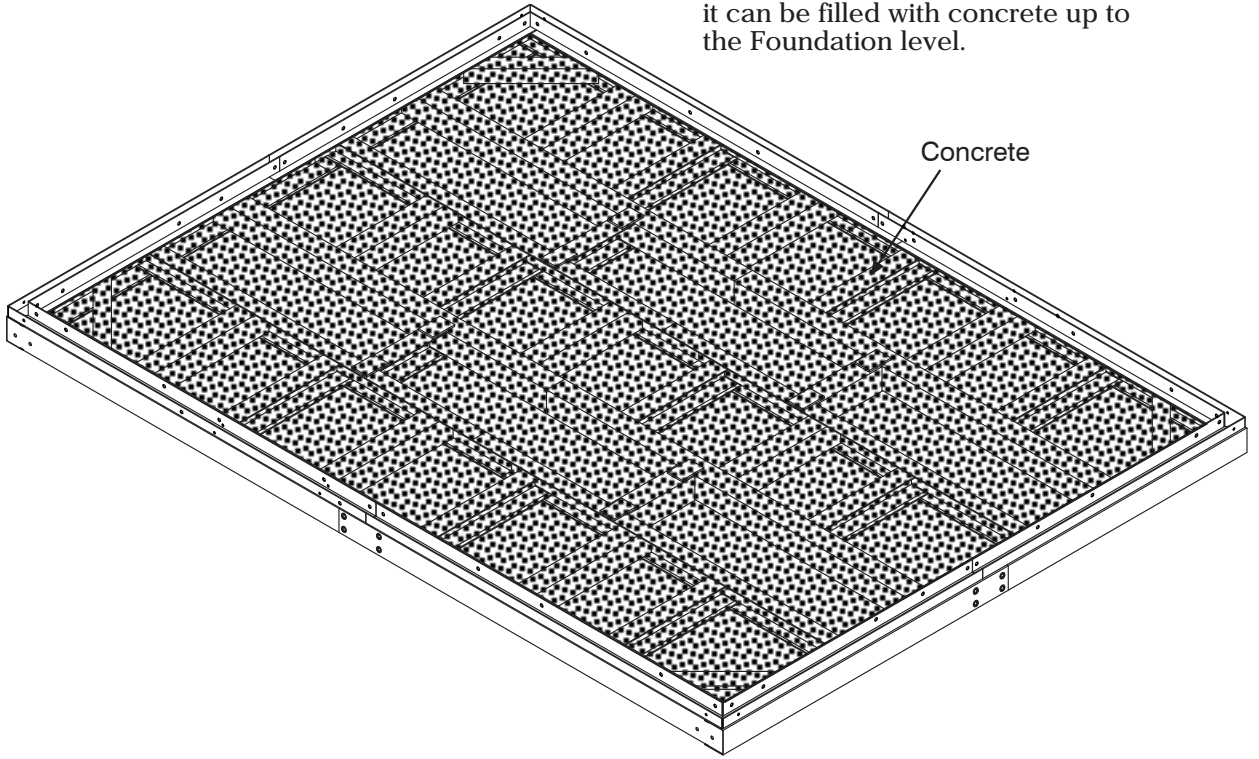
Fig. 2

IMPORTANT : USE HAND GLOVES TO PREVENT INJURY.

5

Option - 1

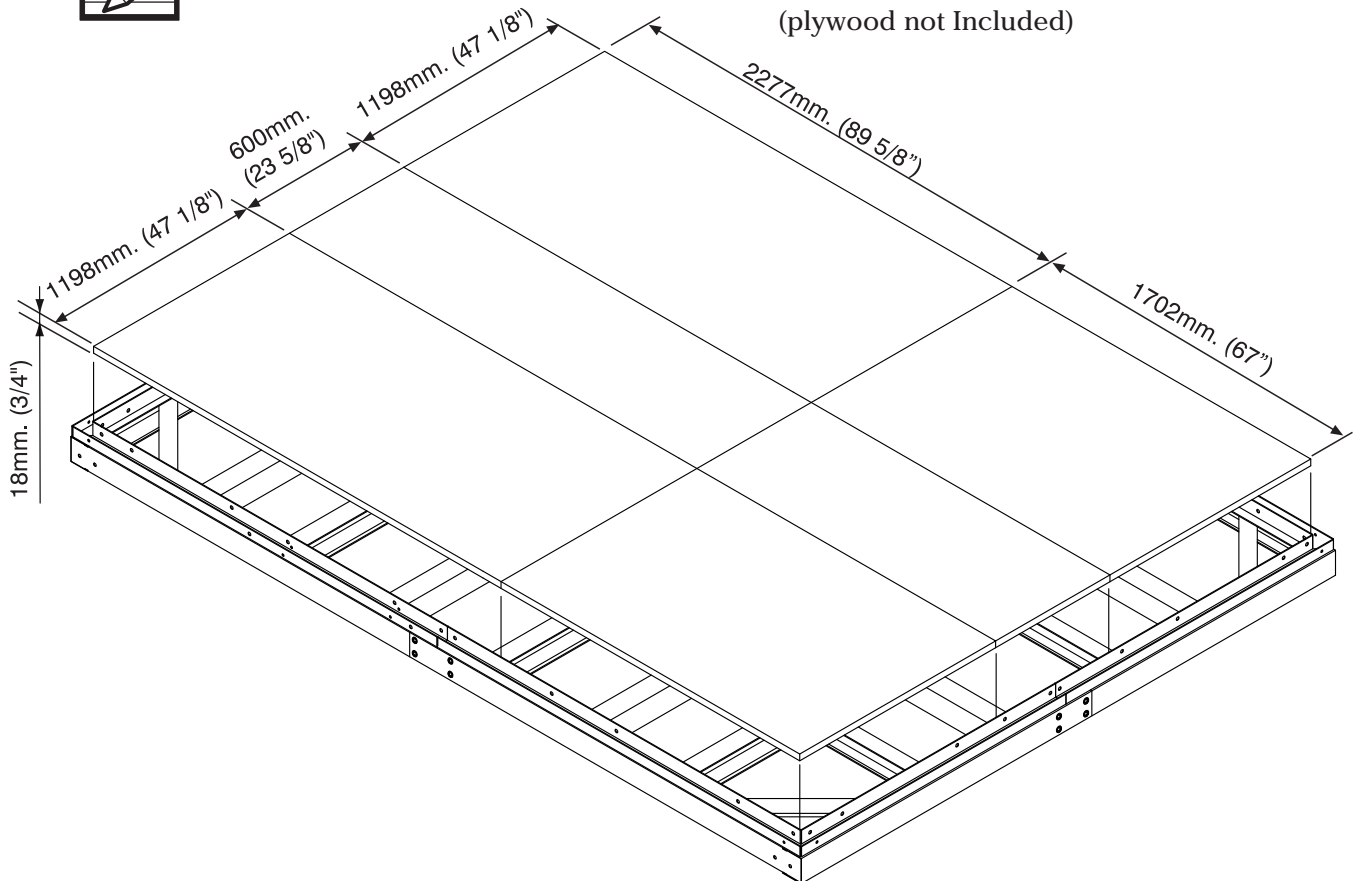
After assemble the Base 'U' Channel it can be filled with concrete up to the Foundation level.



The Plywood should be placed after completing the Wall Panel Assembly.

Option - 2

The Plywood can be placed by this sizes inside the base 'U' Channel. (plywood not Included)



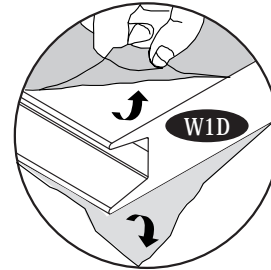
B. Wall Assembly

Parts needed:

CODE	QTY	CODE	QTY
W1D	12	DCRD	1
W2D	1	DCLD	1
TC1D	1	DSD	1
TC2D	1	DSTD	1
TC3D	1	TS1D	2
TC4D	1	TS2D	2
TC5D	1	TS3D	2
TC6D	1	TS4D	3
TC7D	1	RSD	3
TC8D	1	RSJD	6
CC1	4	S2	228
CC2	2	S12	12
CC3	2		



Remove the protective films before start assembly.



1



This Insulated Cabin included with one Window Panel (W2D). This can be fixed in any of the wall positions.

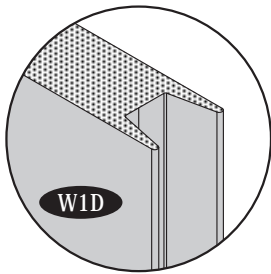


Fig. 1

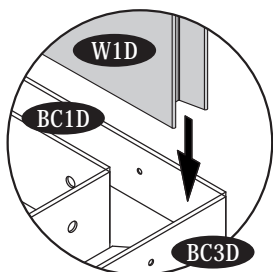
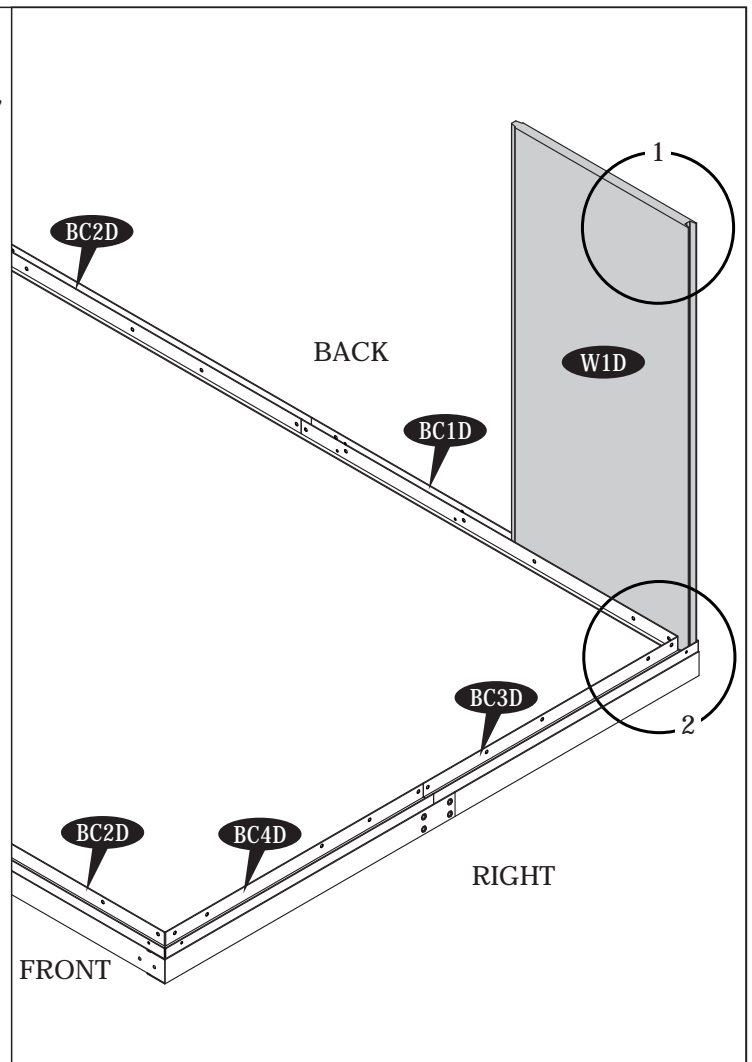


Fig. 2



IMPORTANT : USE HAND GLOVES TO PREVENT INJURY.

2

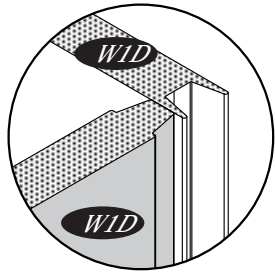


Fig. 1

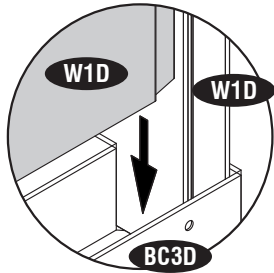
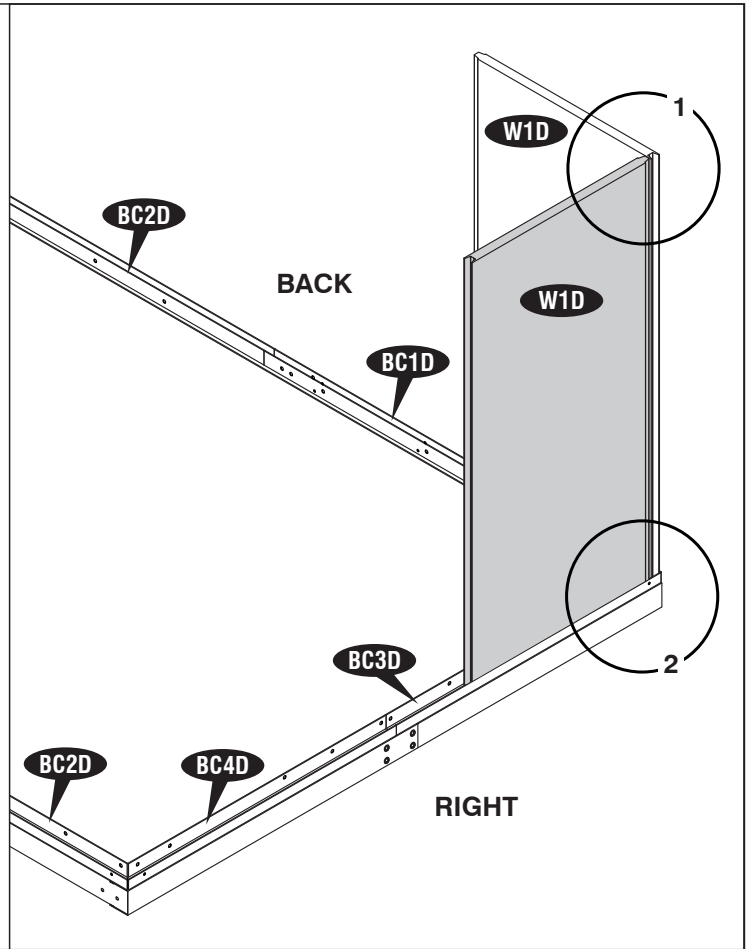


Fig. 2



3

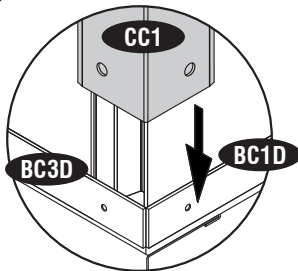


Fig. 1

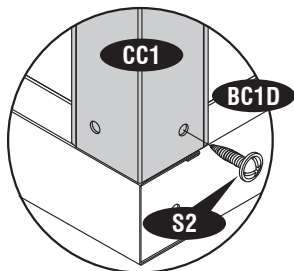


Fig. 2

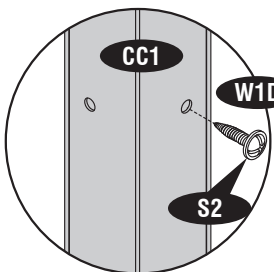


Fig. 3

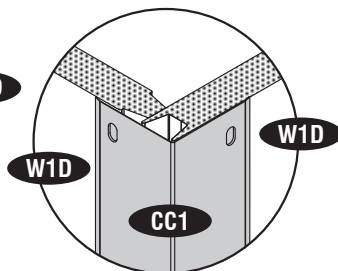
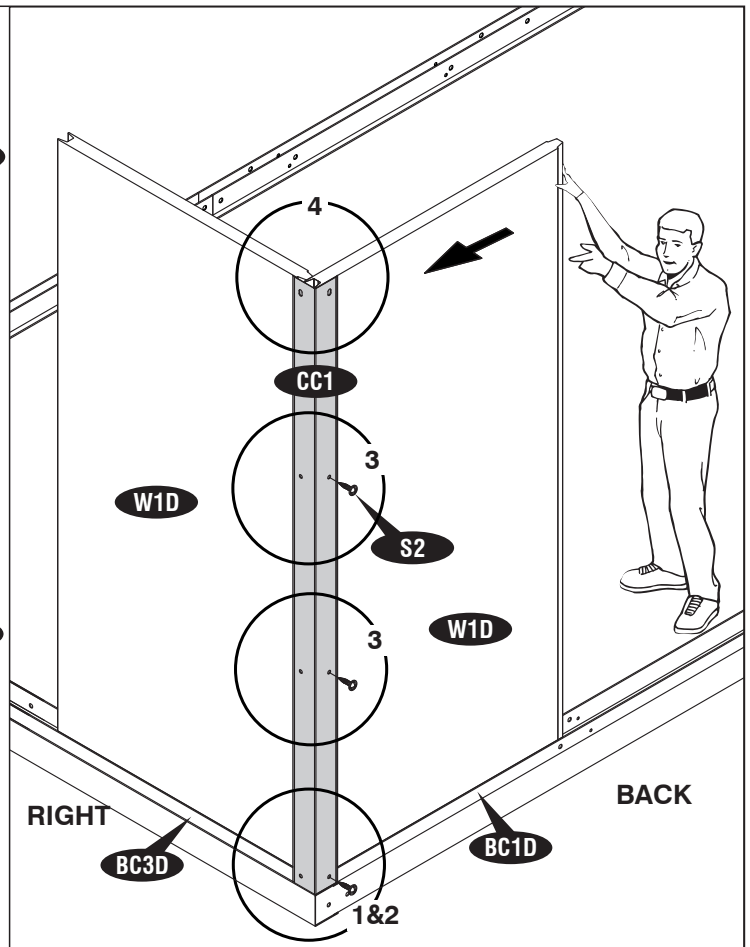


Fig. 4



8

IMPORTANT : USE HAND GLOVES TO PREVENT INJURY.

4

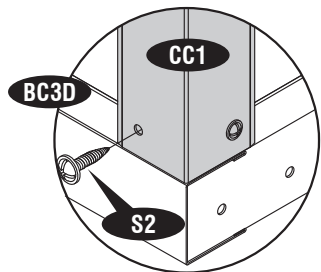


Fig. 1

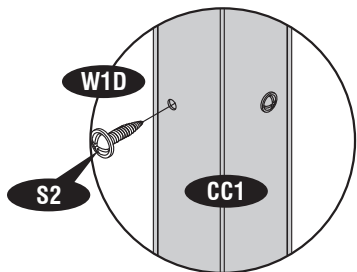
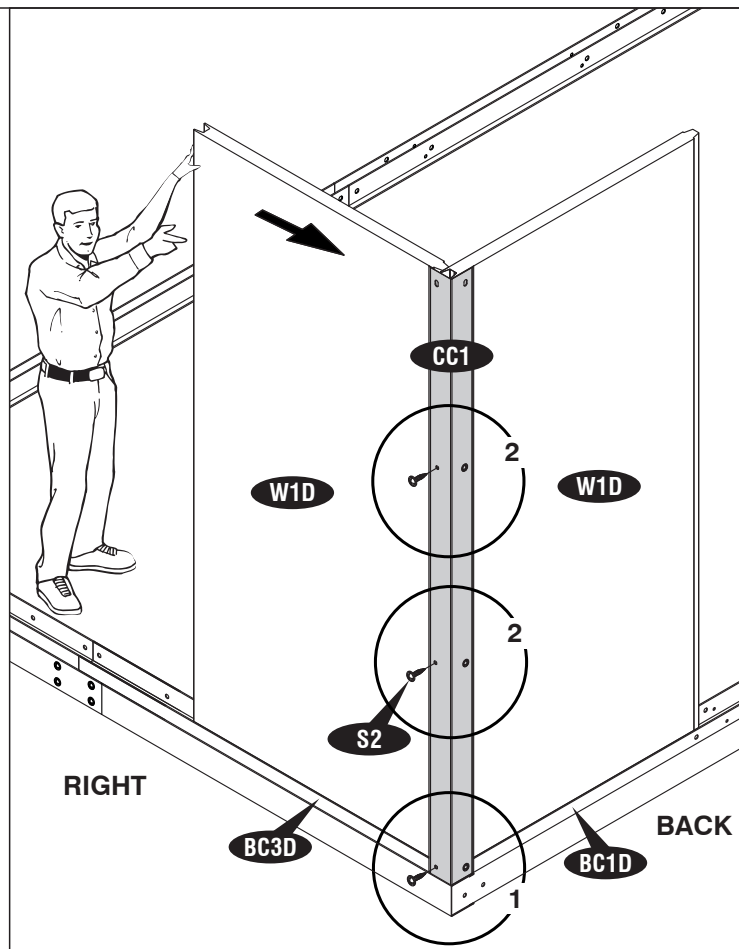


Fig. 2



5

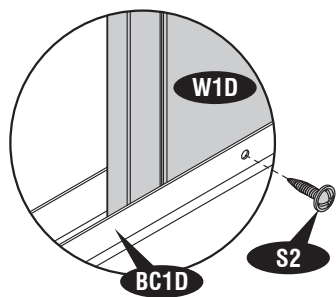
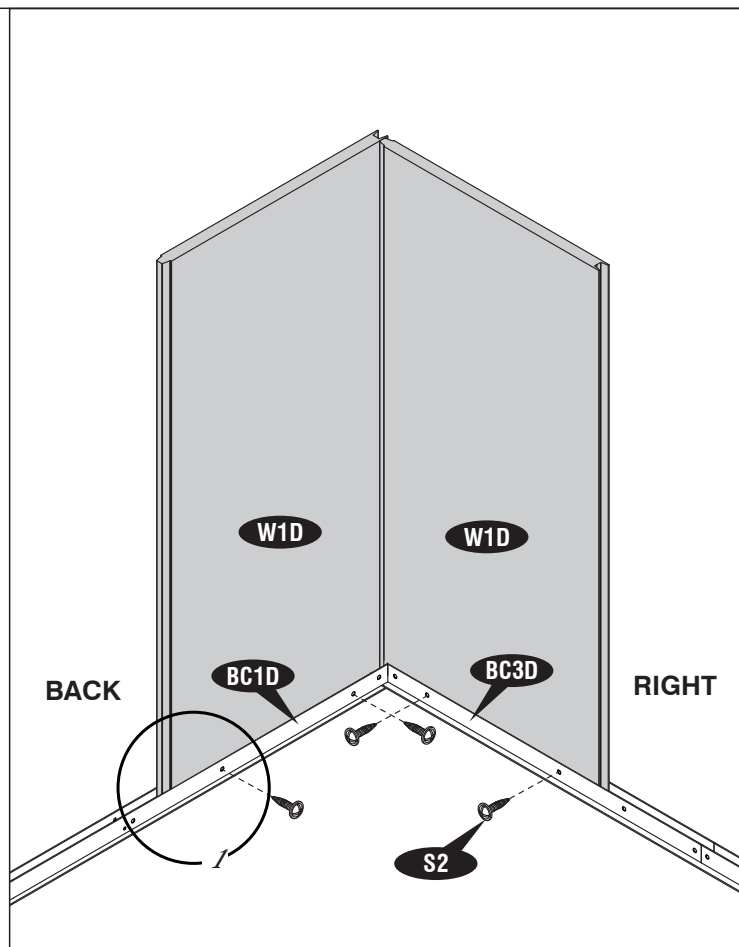


Fig. 1



9

IMPORTANT : USE HAND GLOVES TO PREVENT INJURY.

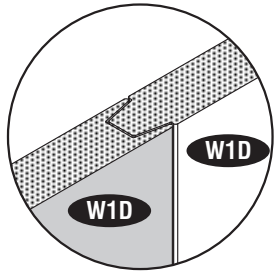


Fig. 1

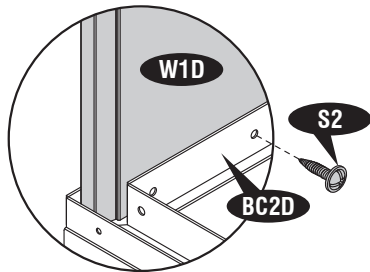


Fig. 2

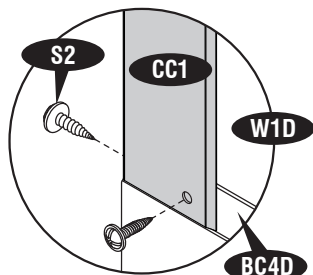
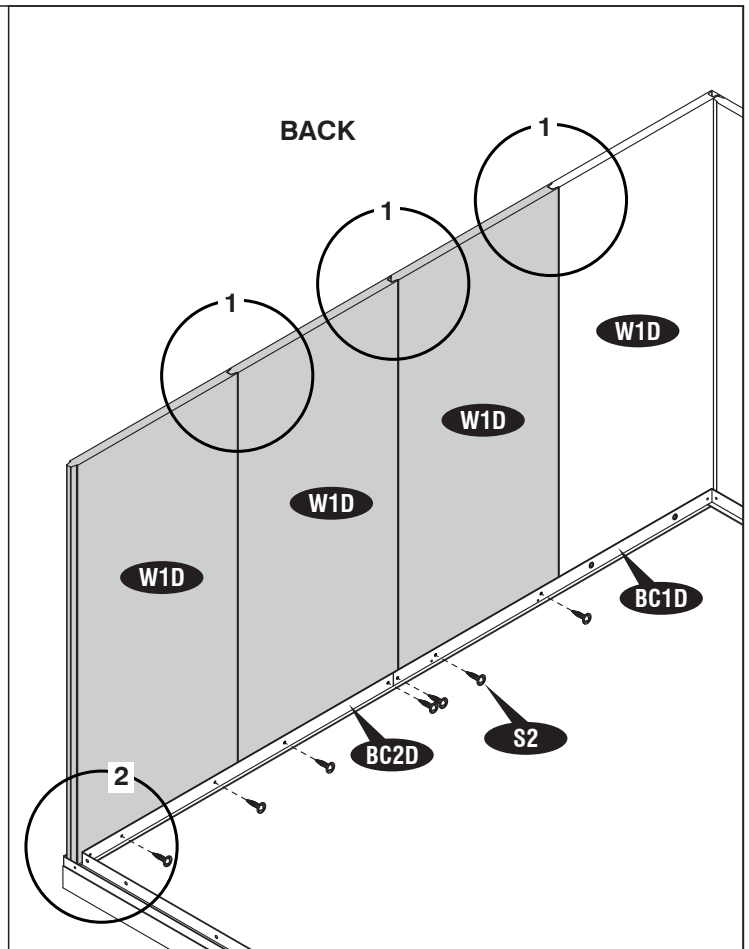


Fig. 1

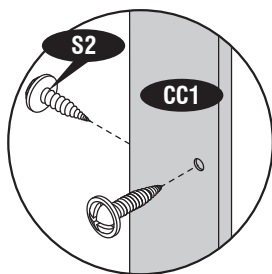


Fig. 2

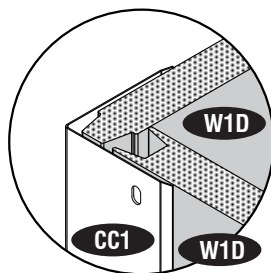
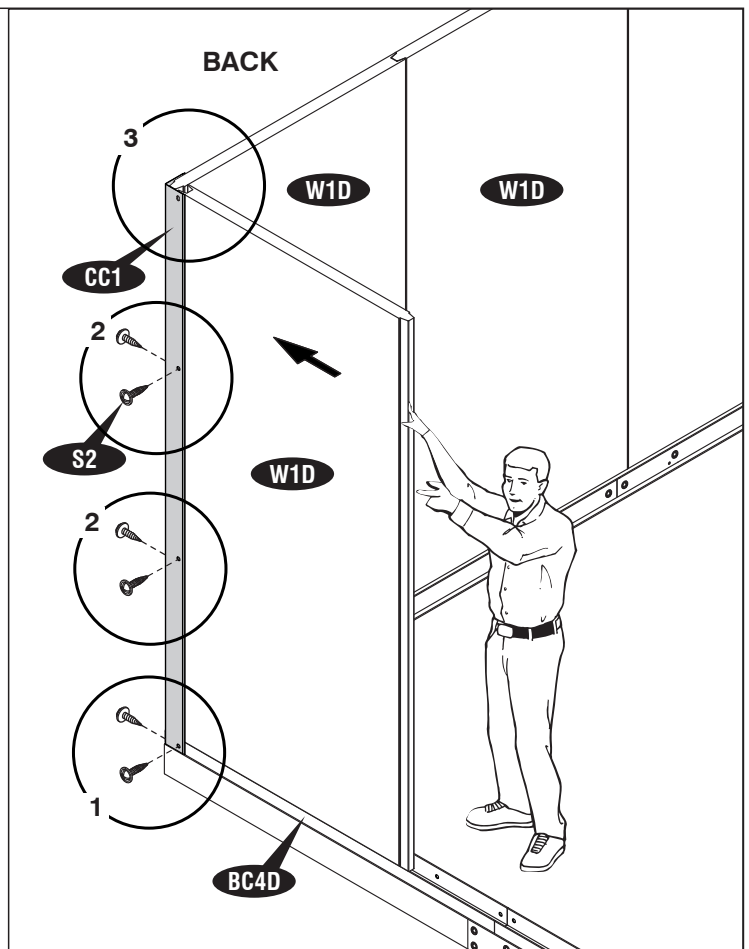


Fig. 3



IMPORTANT : USE HAND GLOVES TO PREVENT INJURY.

8

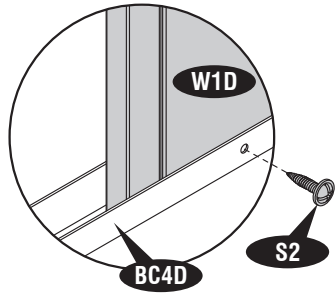
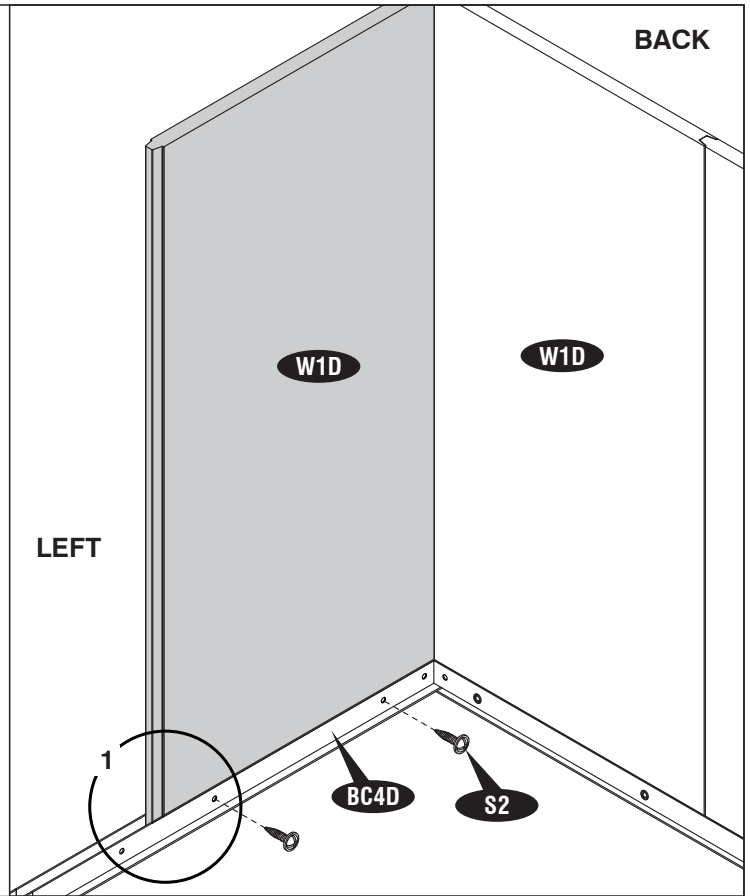


Fig. 1



9

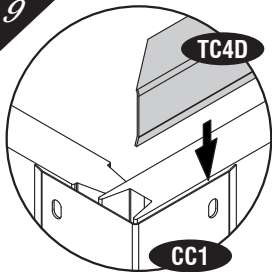


Fig. 1

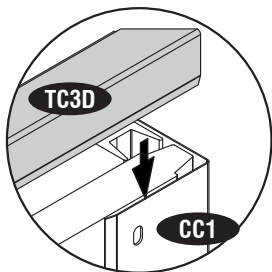


Fig. 2

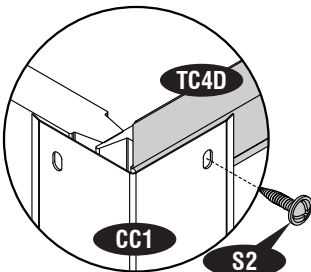


Fig. 3

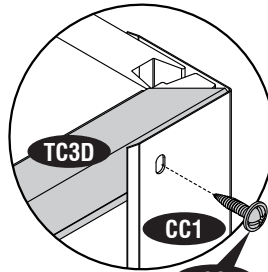


Fig. 4

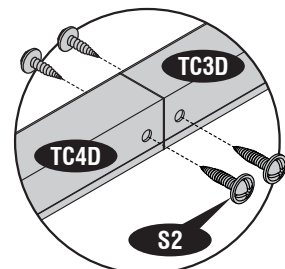


Fig. 5

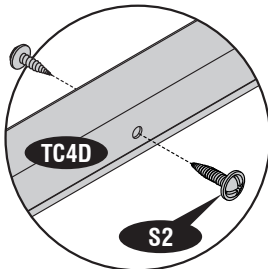
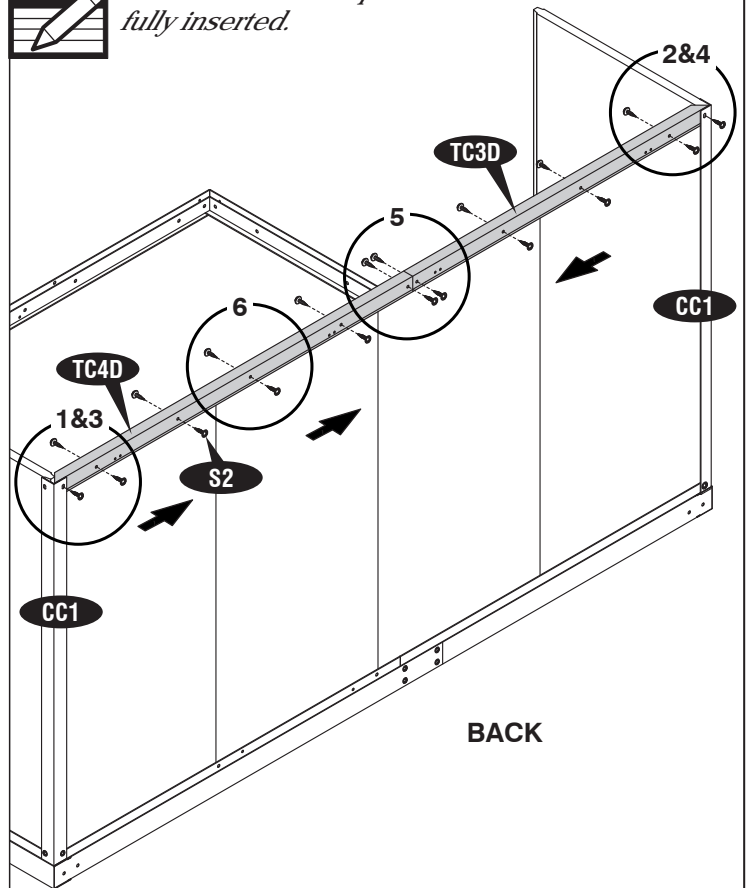


Fig. 6



Note *Push the wall from both side, and make sure the panels are fully inserted.*



11

IMPORTANT : USE HAND GLOVES TO PREVENT INJURY.

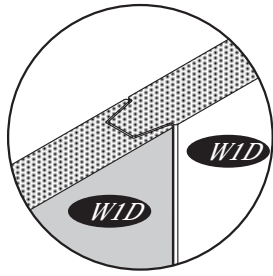


Fig. 1

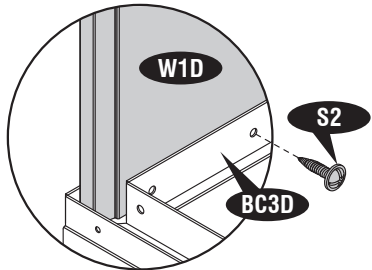


Fig. 2

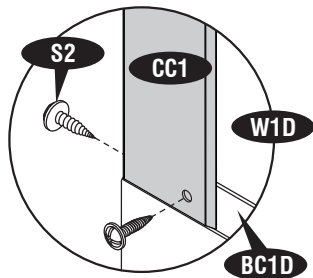
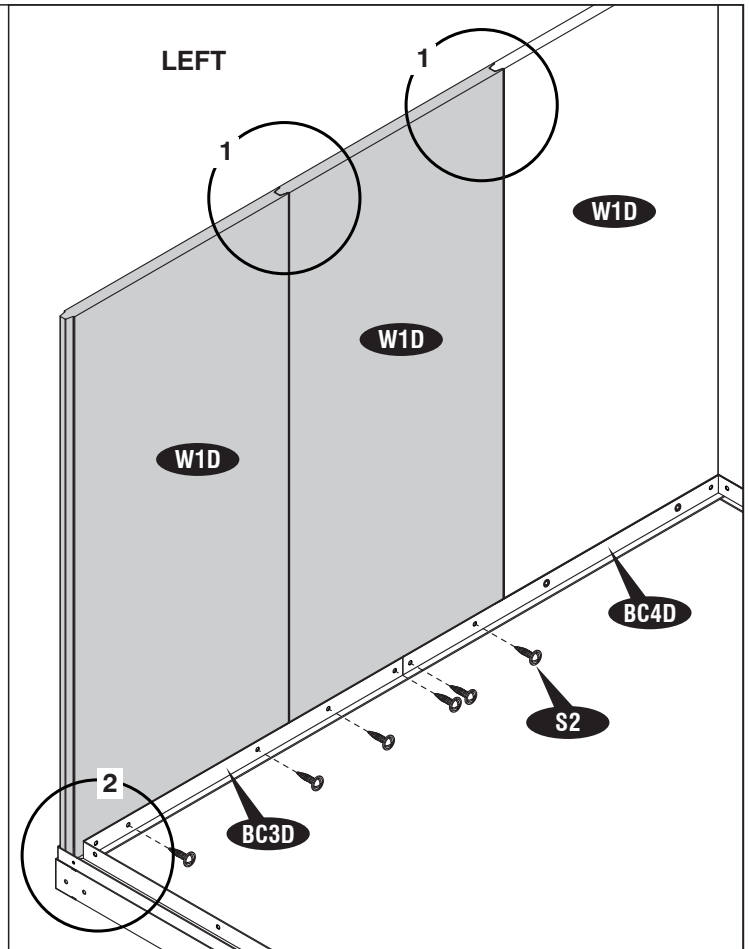


Fig. 1

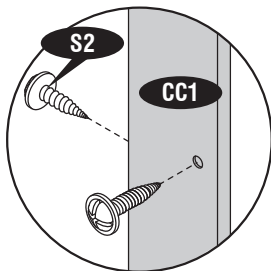


Fig. 2

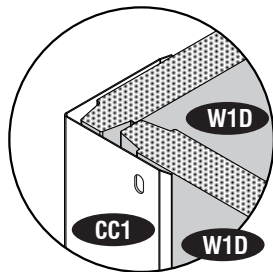
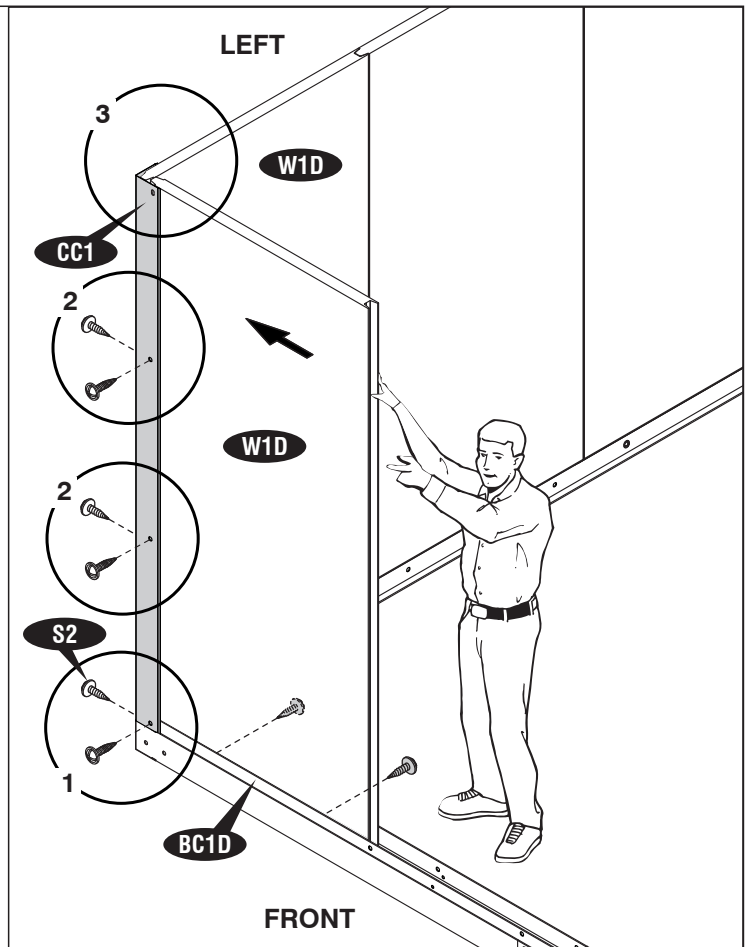
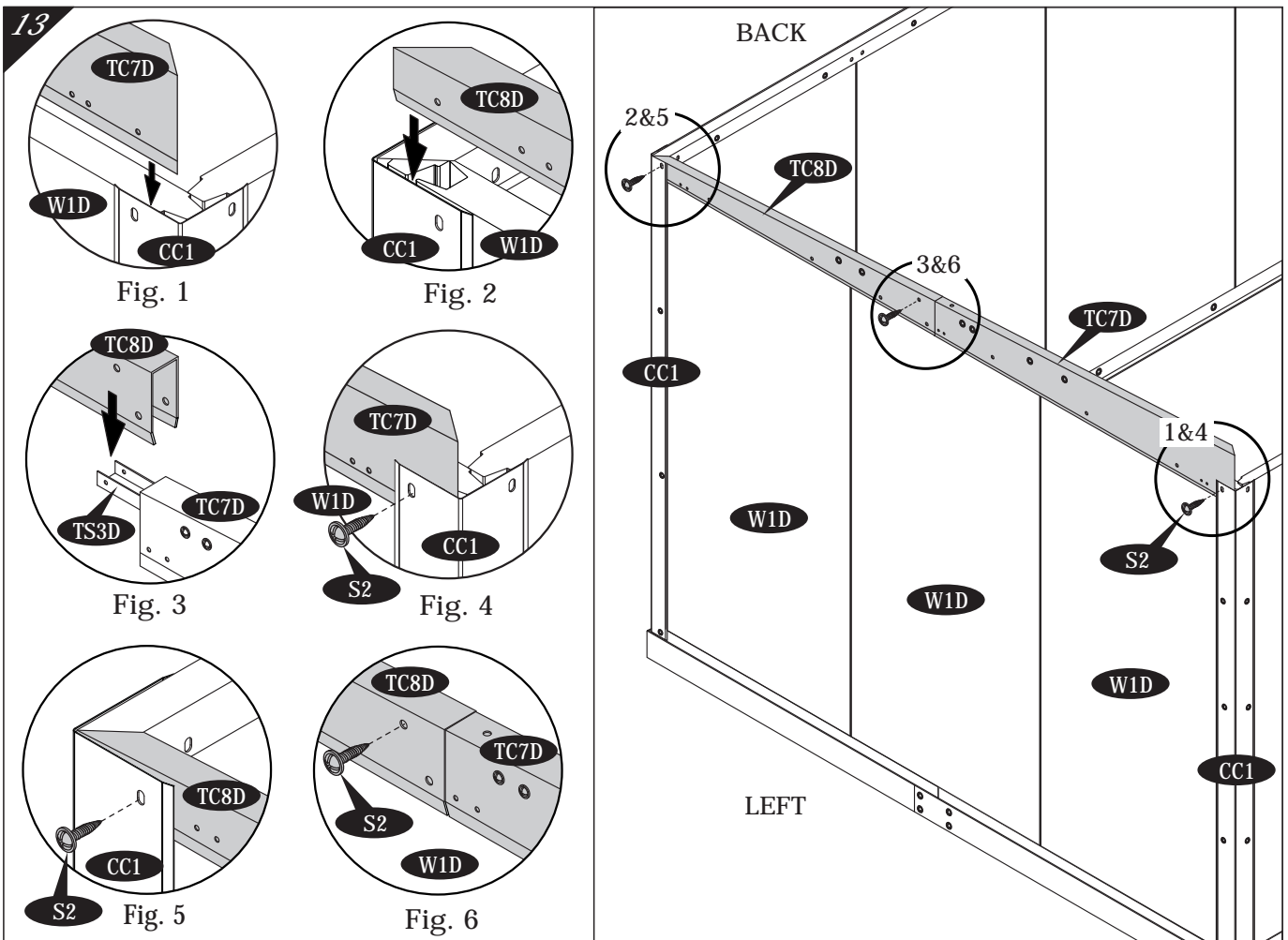
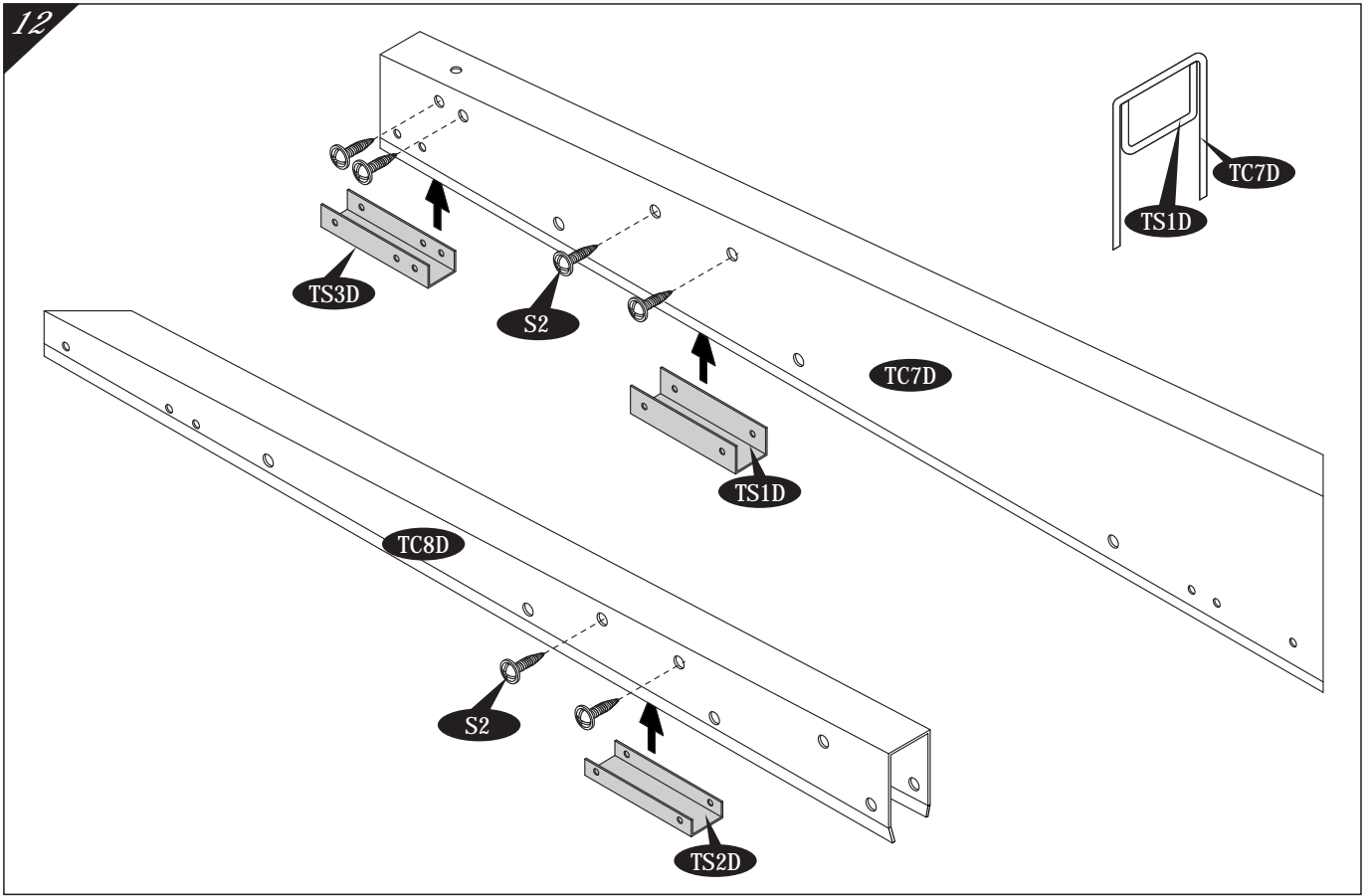


Fig. 3



IMPORTANT : USE HAND GLOVES TO PREVENT INJURY.



IMPORTANT : USE HAND GLOVES TO PREVENT INJURY.

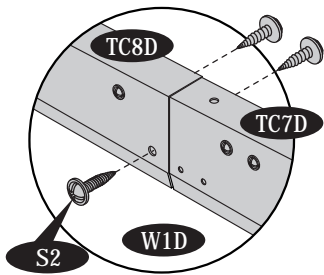


Fig. 1

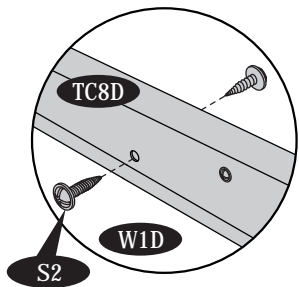


Fig. 2

BACK

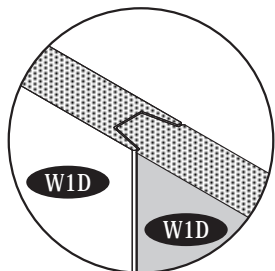
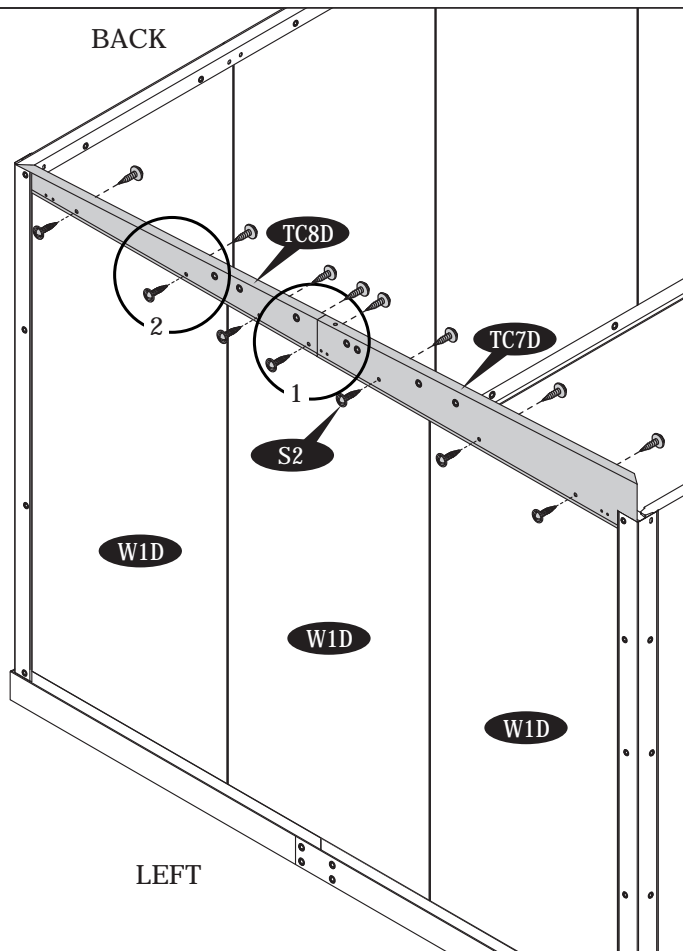


Fig. 1

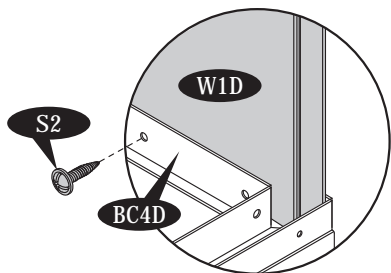
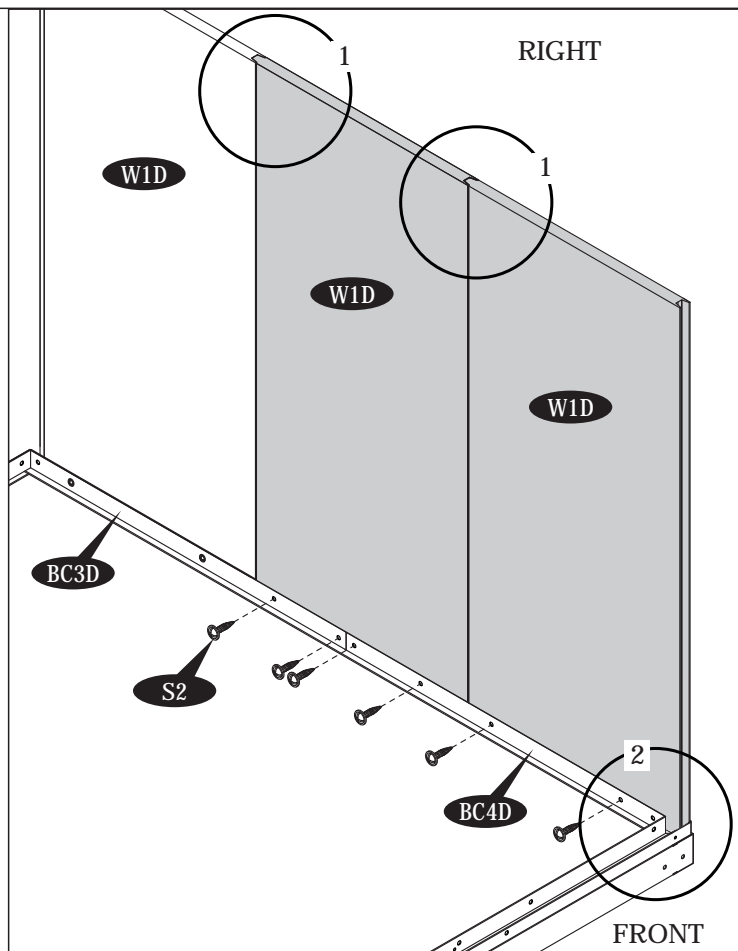


Fig. 2

RIGHT



IMPORTANT : USE HAND GLOVES TO PREVENT INJURY.

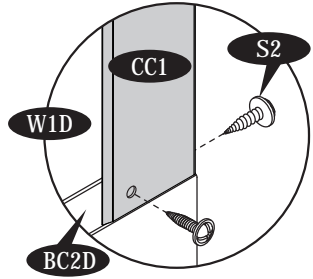


Fig. 1

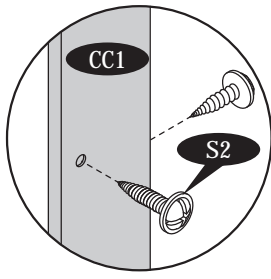


Fig. 2

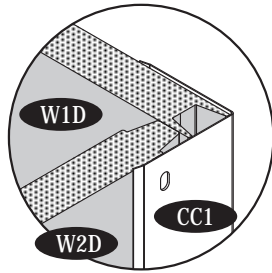
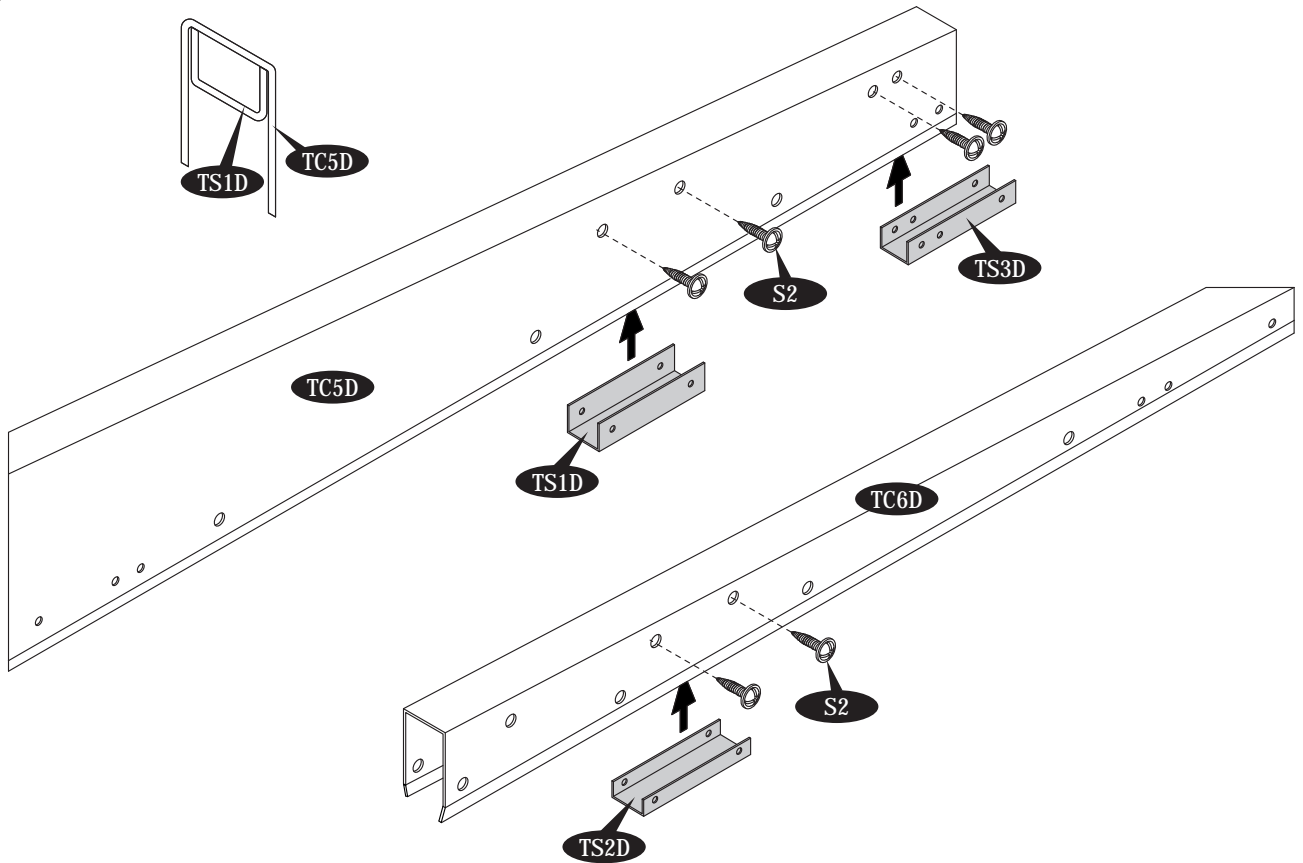
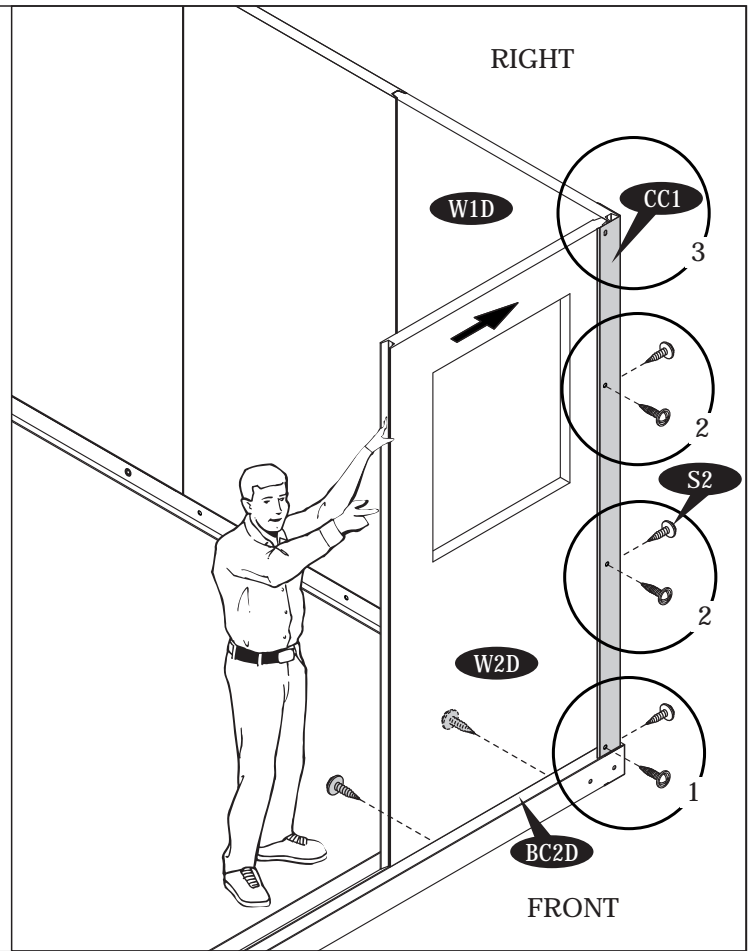


Fig. 3



IMPORTANT : USE HAND GLOVES TO PREVENT INJURY.

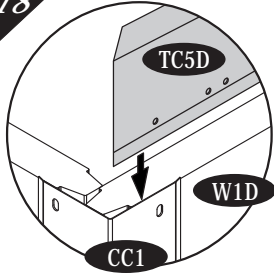


Fig. 1

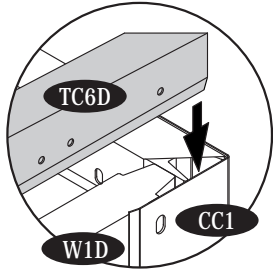


Fig. 2

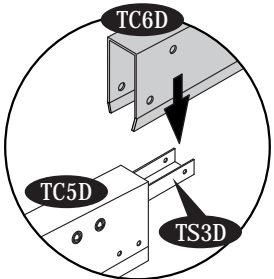


Fig. 3

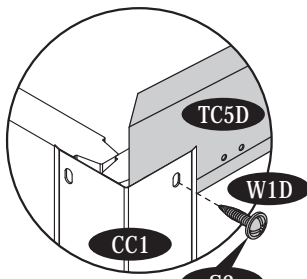


Fig. 4

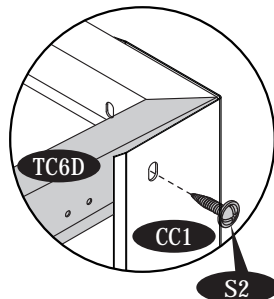


Fig. 5

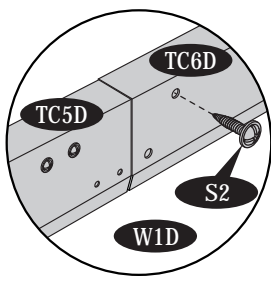


Fig. 6

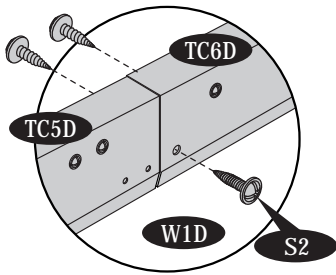
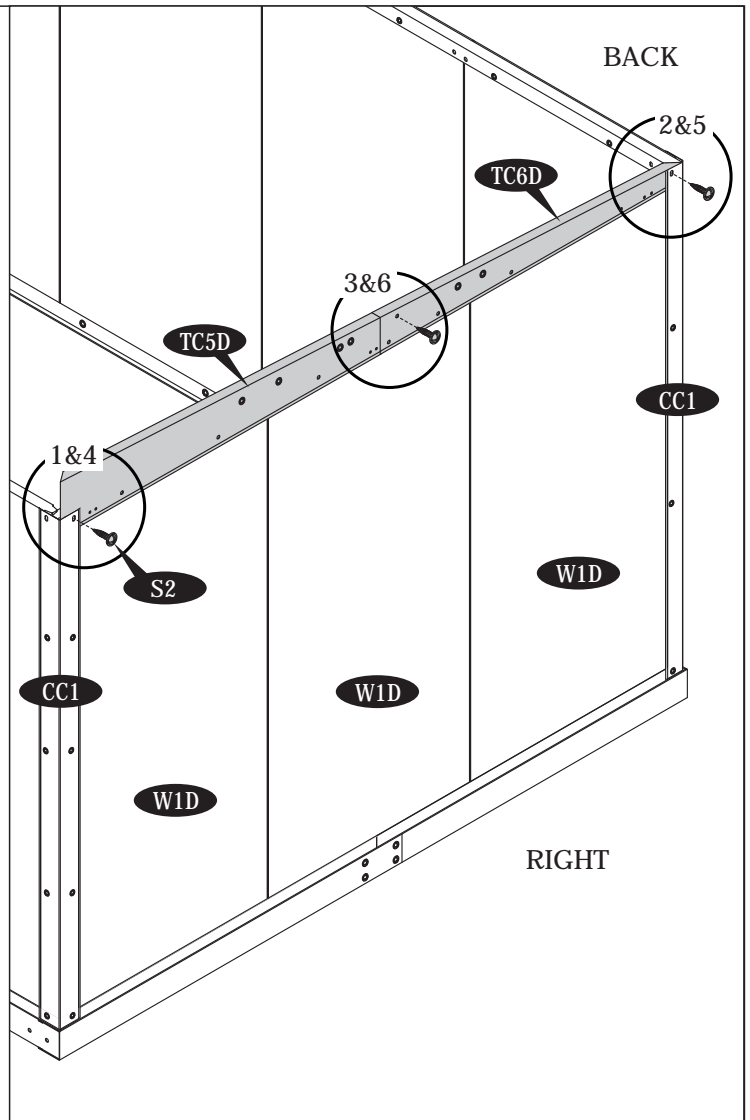


Fig. 1

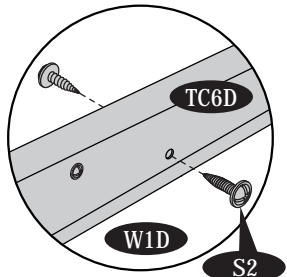
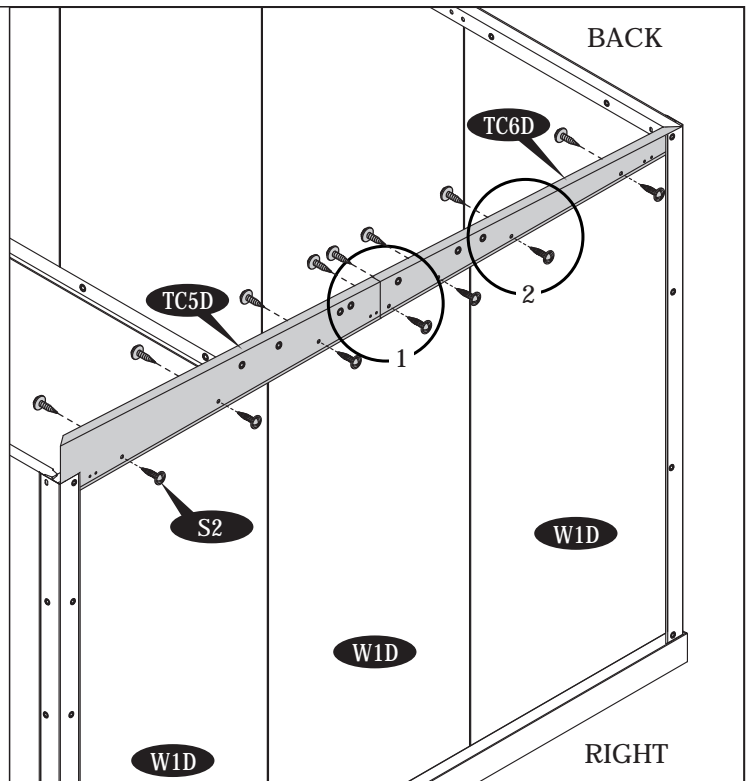


Fig. 2



IMPORTANT : USE HAND GLOVES TO PREVENT INJURY.

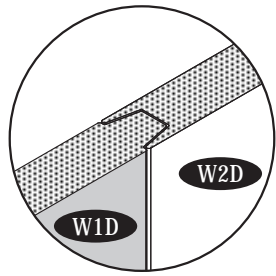


Fig. 1

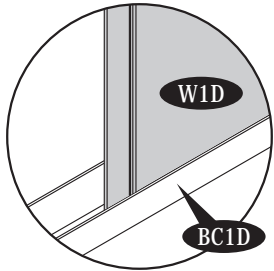
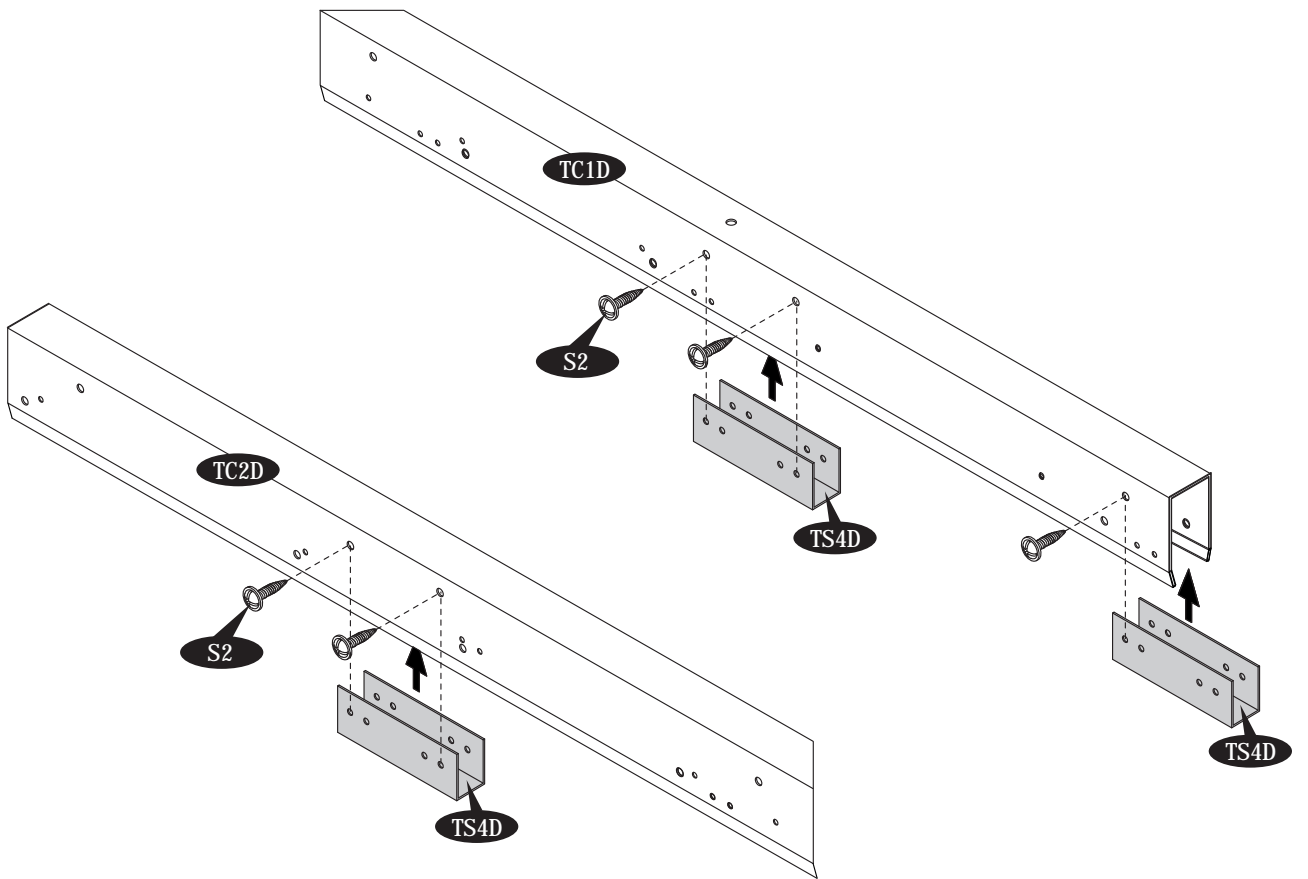
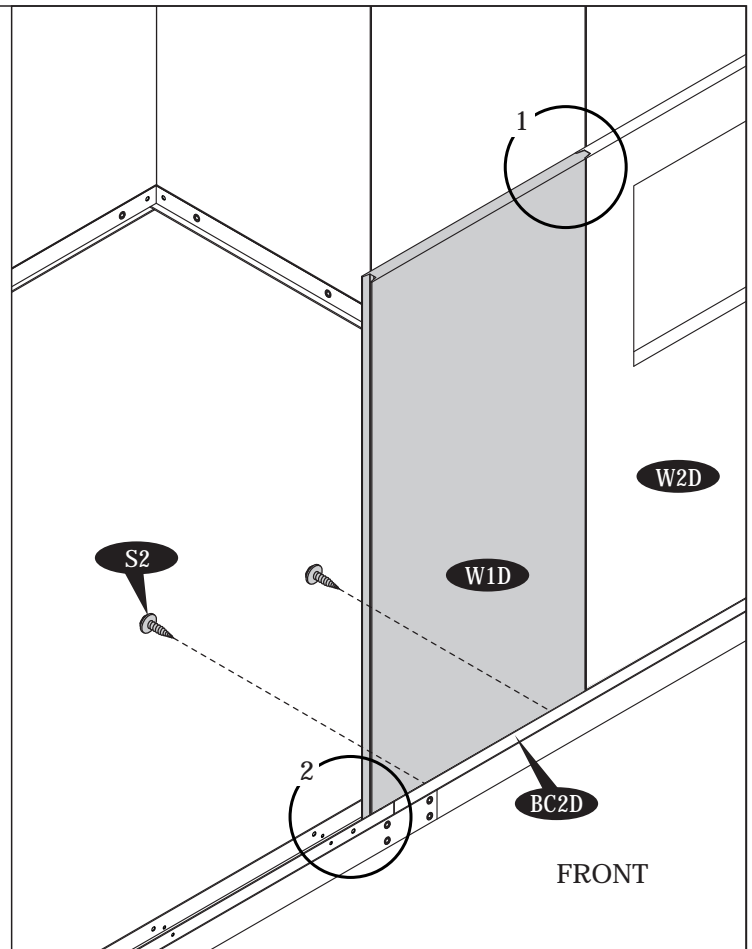


Fig. 2



IMPORTANT : USE HAND GLOVES TO PREVENT INJURY.

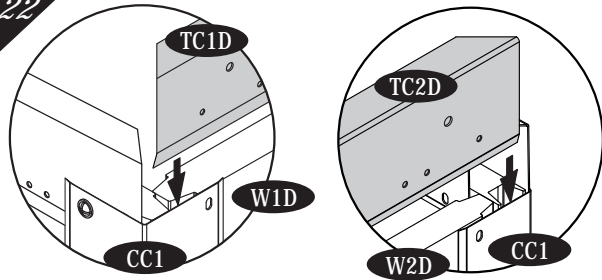


Fig. 1

Fig. 2

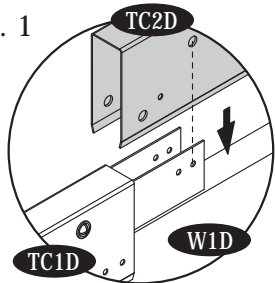


Fig. 3

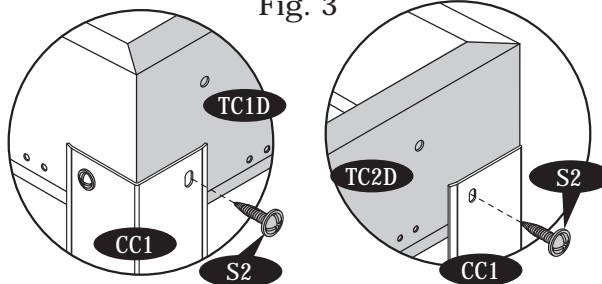
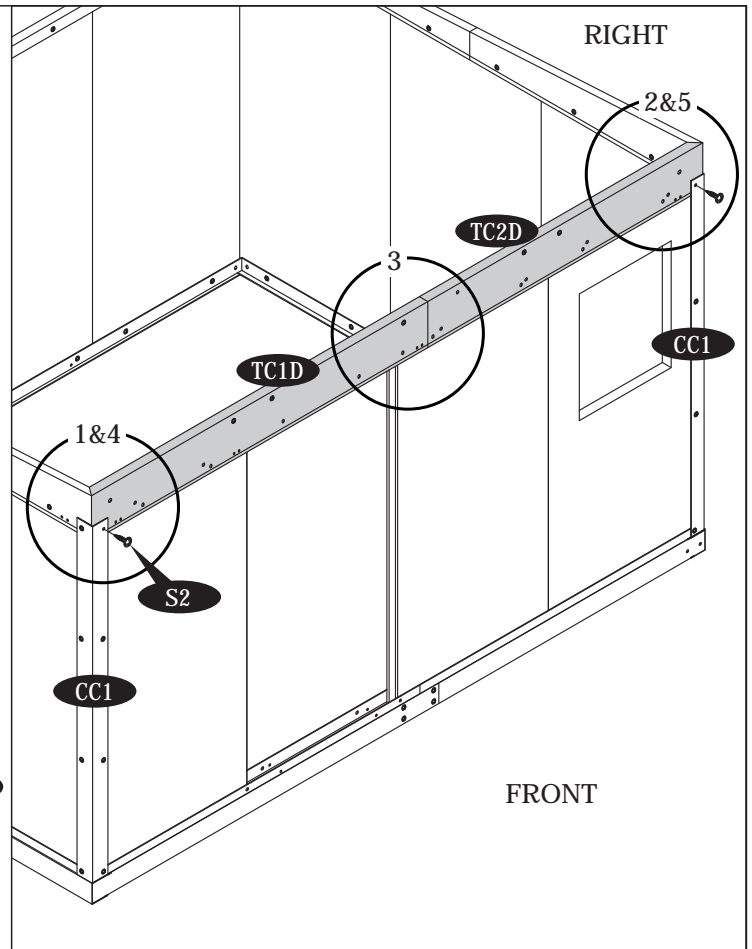


Fig. 4

Fig. 5



Push the wall from both side, and make sure the panels are fully inserted.

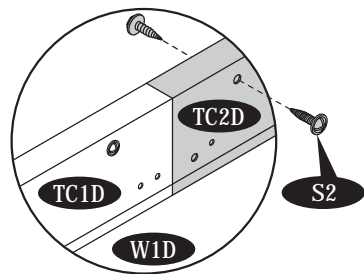
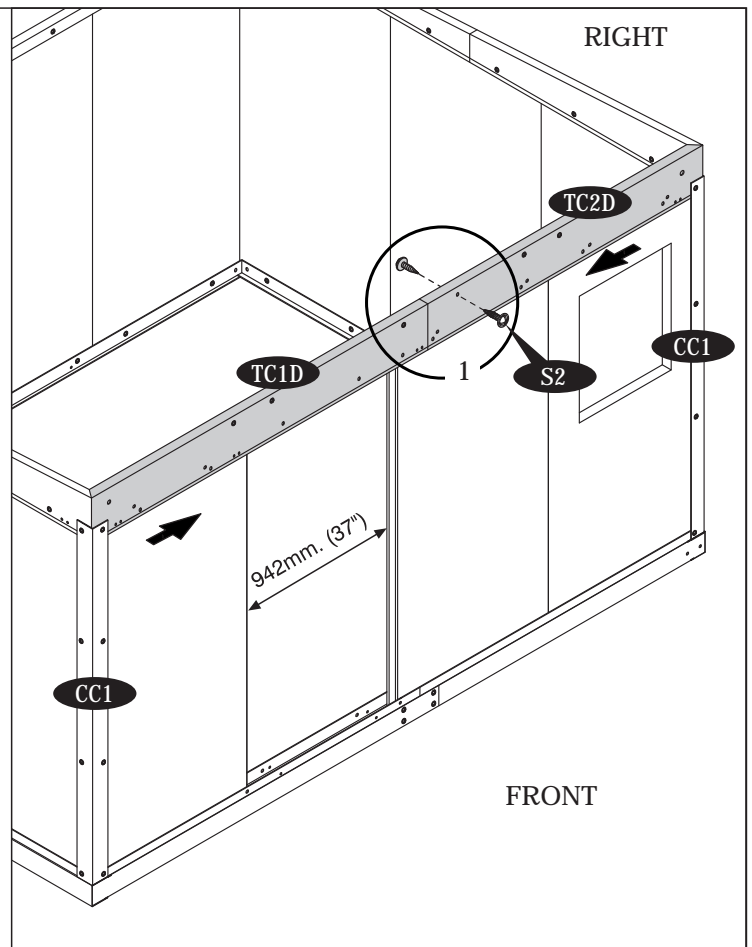


Fig. 1



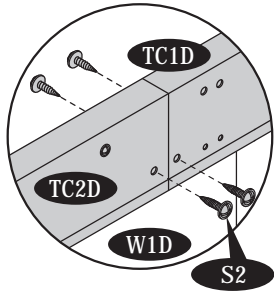


Fig. 1

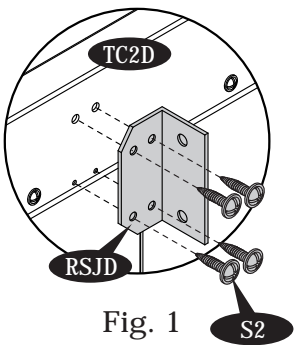
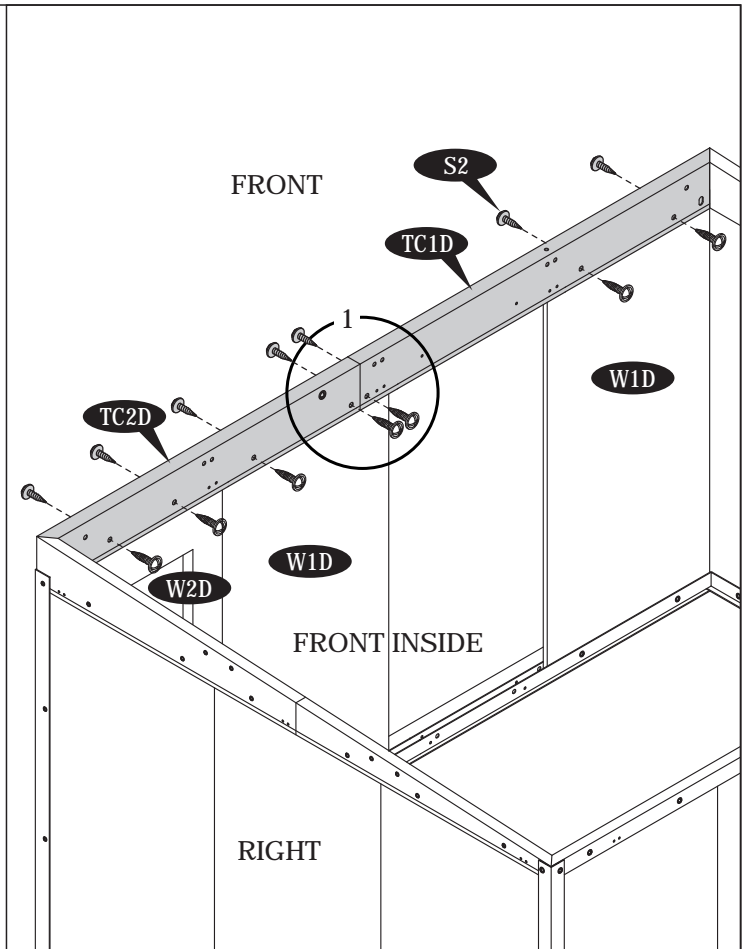


Fig. 1

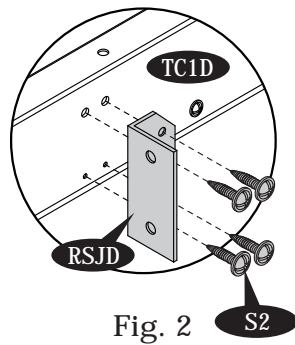
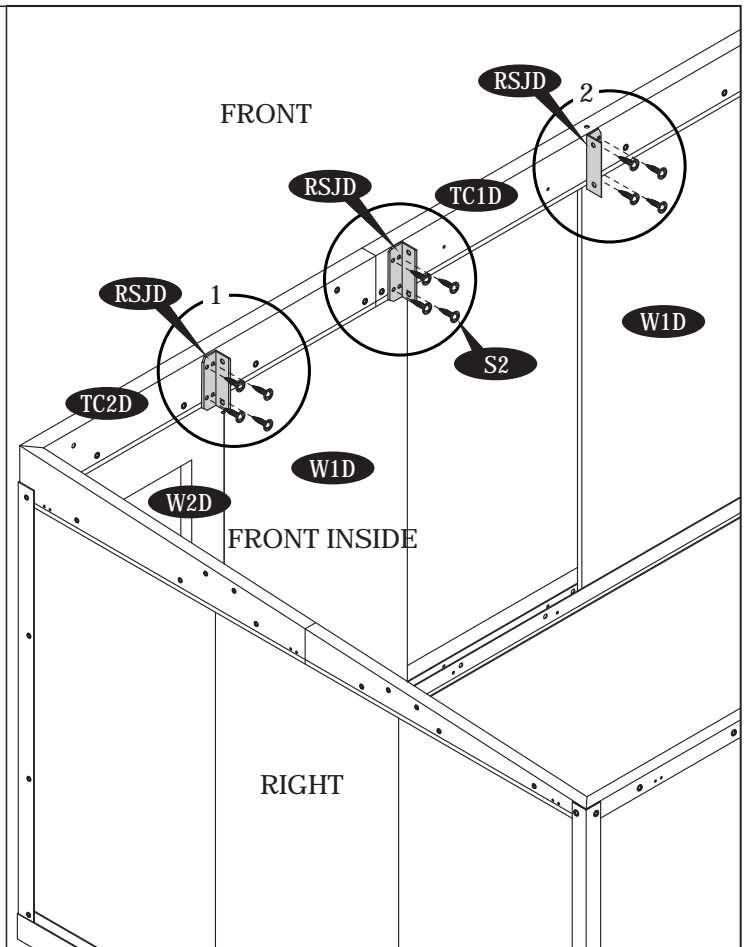


Fig. 2



IMPORTANT : USE HAND GLOVES TO PREVENT INJURY.

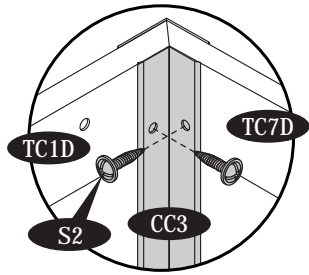


Fig. 1

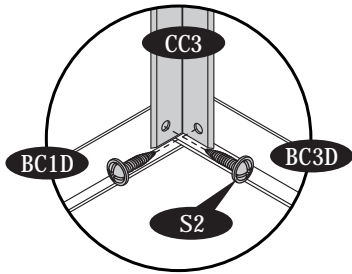
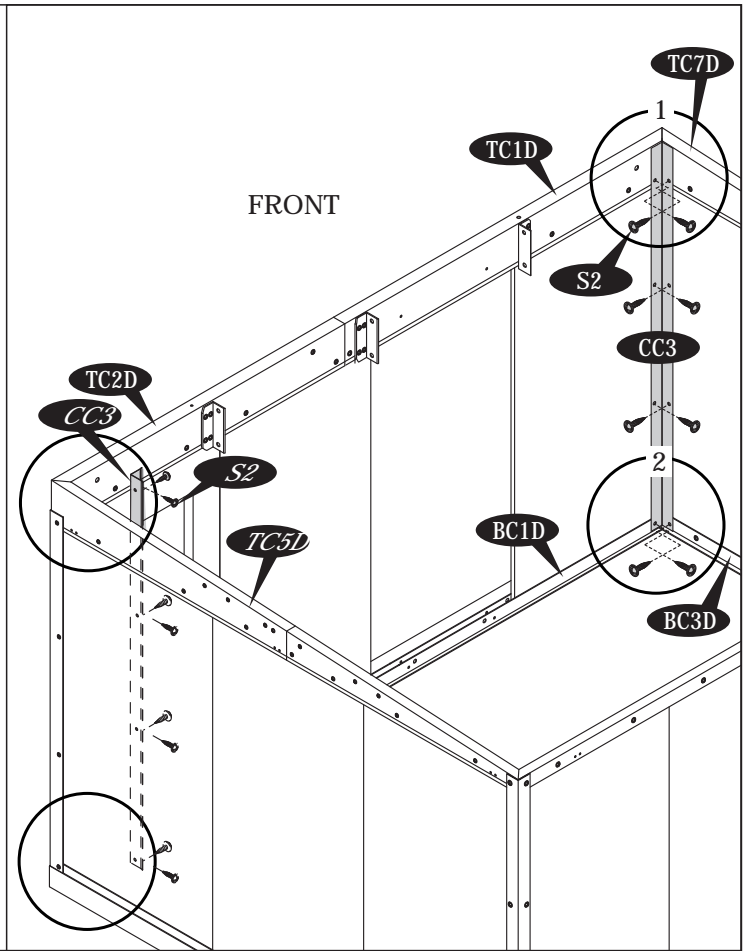


Fig. 2



FRONT

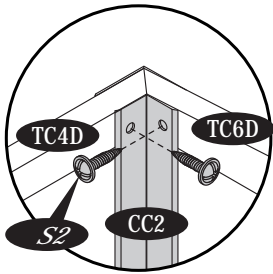


Fig. 1

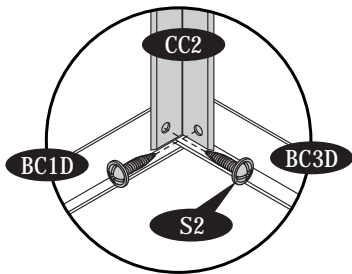
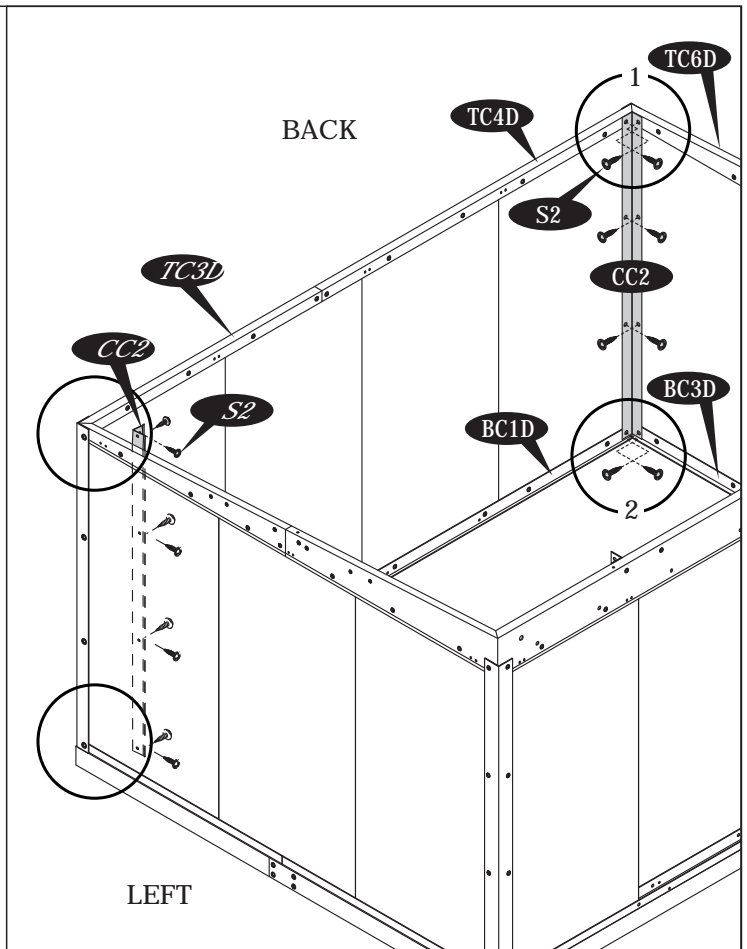


Fig. 2



BACK

LEFT

IMPORTANT : USE HAND GLOVES TO PREVENT INJURY.

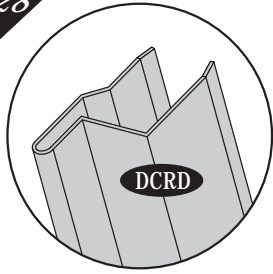


Fig. 1

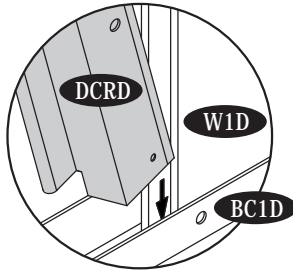


Fig. 2

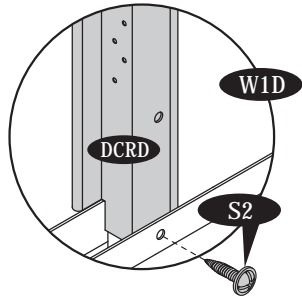


Fig. 3

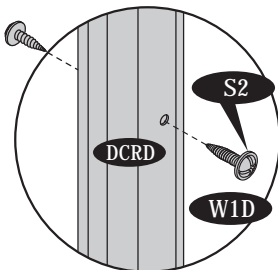
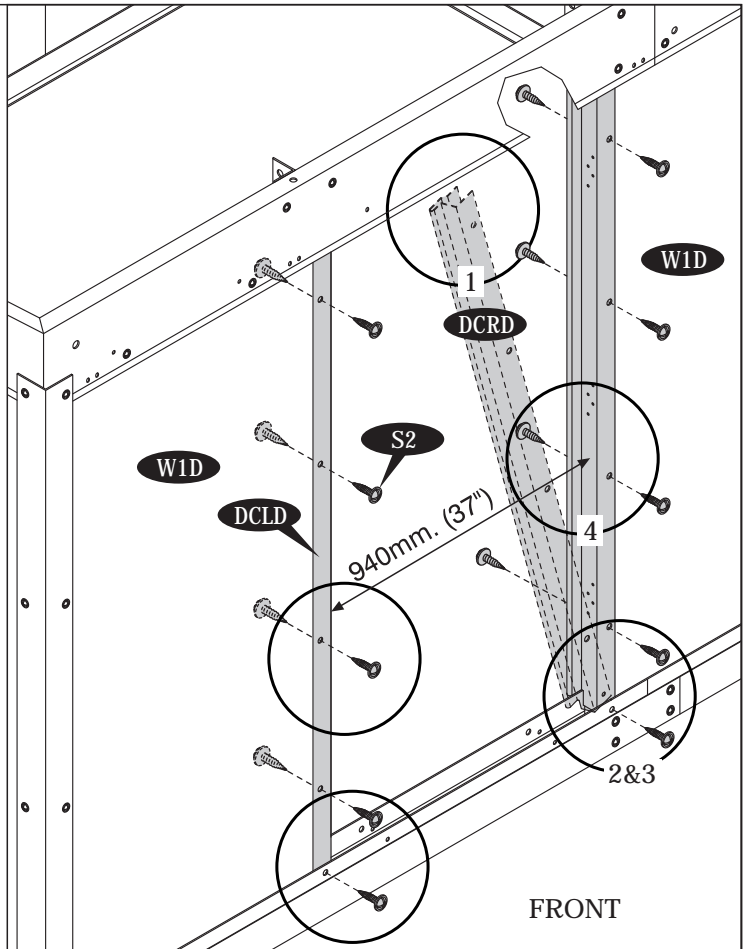
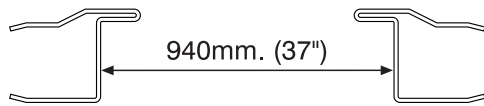


Fig. 4



FRONT

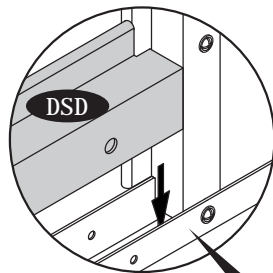


Fig. 1

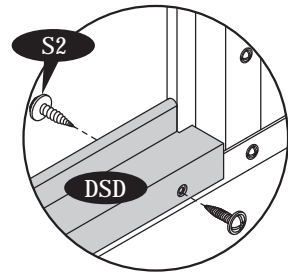
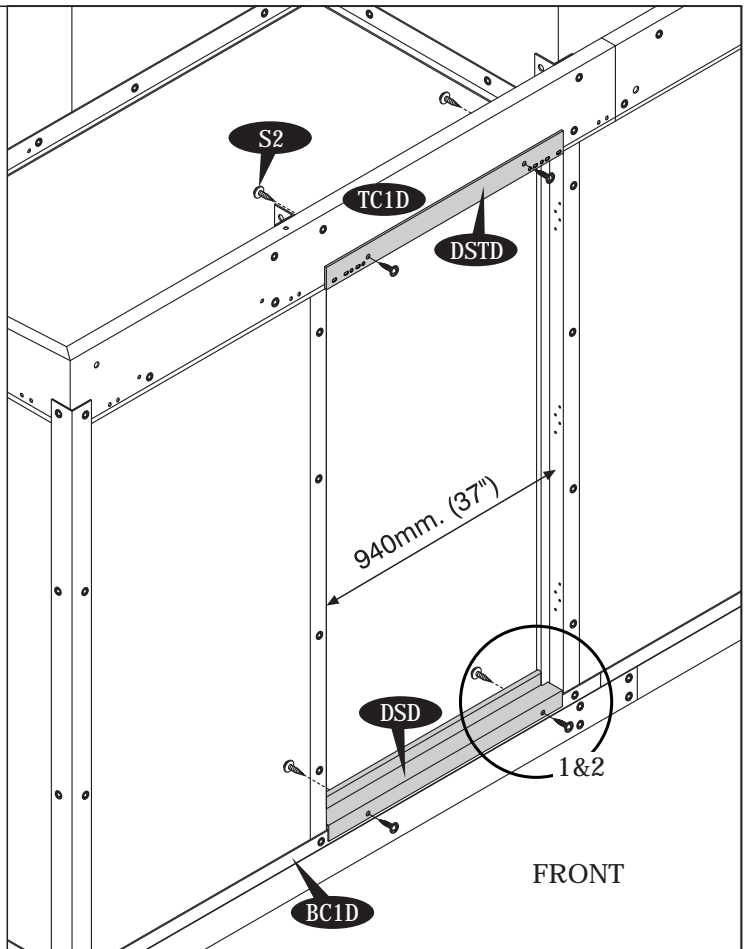
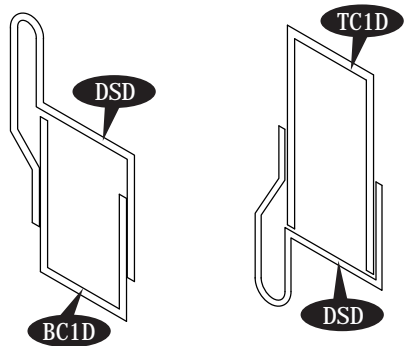


Fig. 2



FRONT

IMPORTANT : USE HAND GLOVES TO PREVENT INJURY.

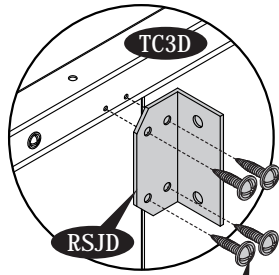


Fig. 1

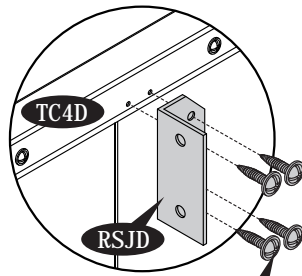


Fig. 2

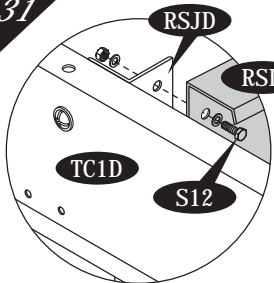
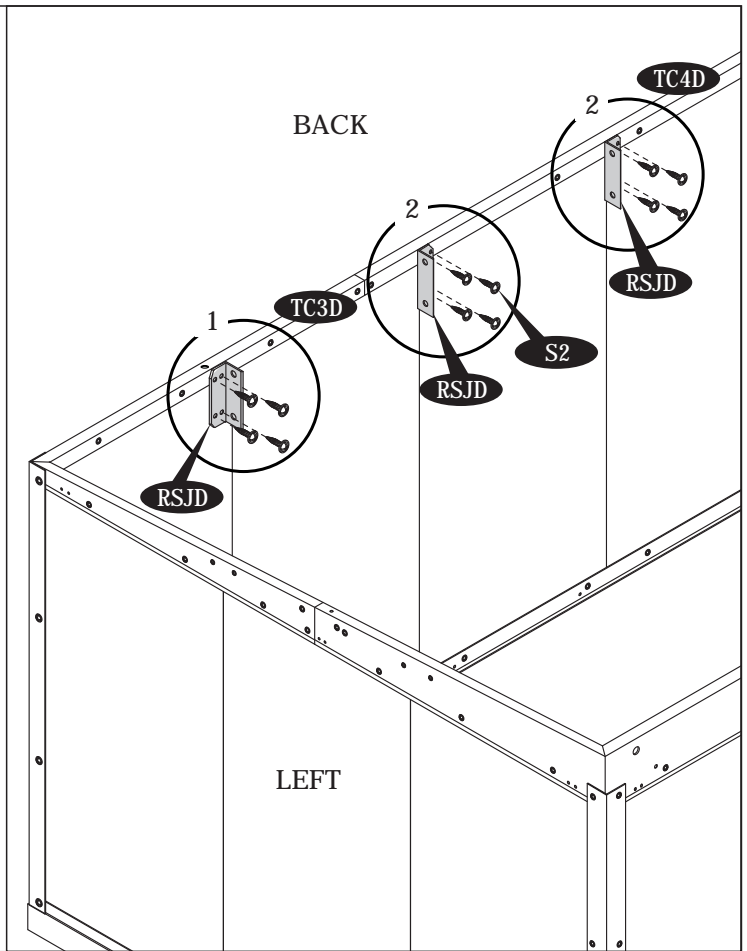


Fig. 1

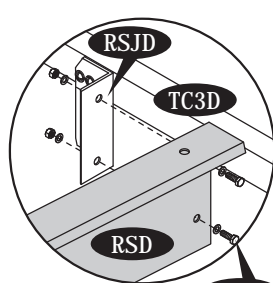


Fig. 2

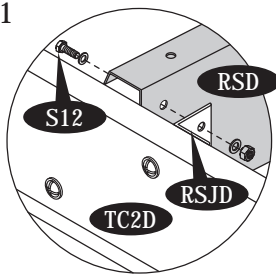


Fig. 3

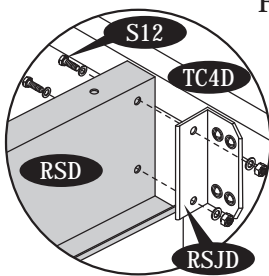


Fig. 4

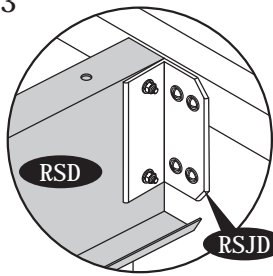
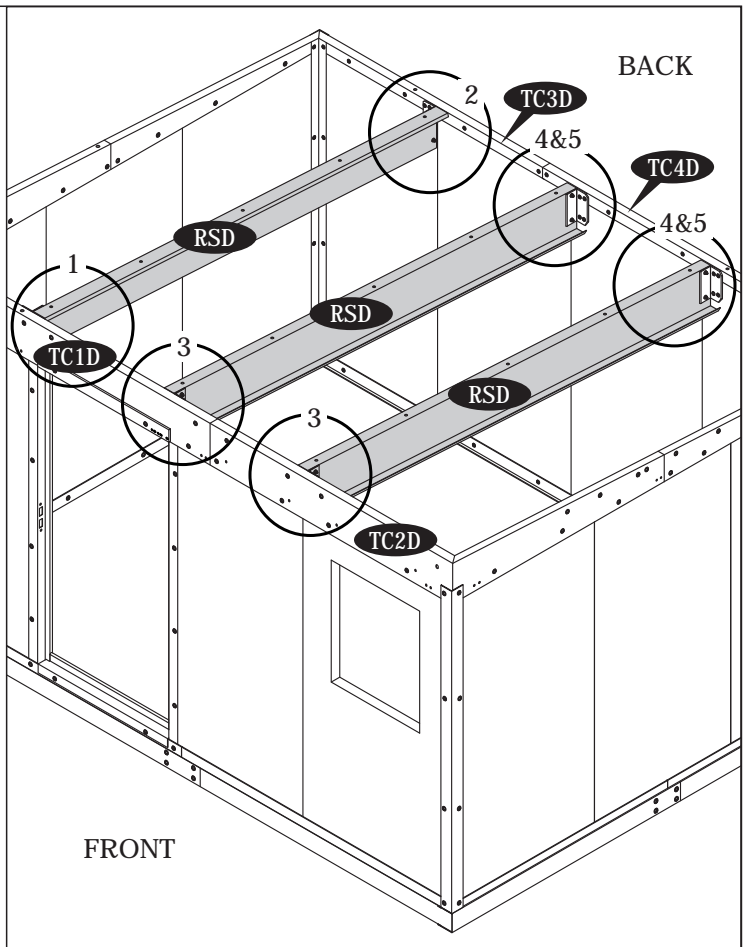


Fig. 5



IMPORTANT : USE HAND GLOVES TO PREVENT INJURY.

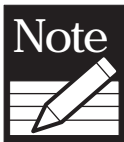
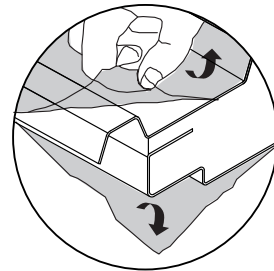
C. Roof Assembly

Parts needed:

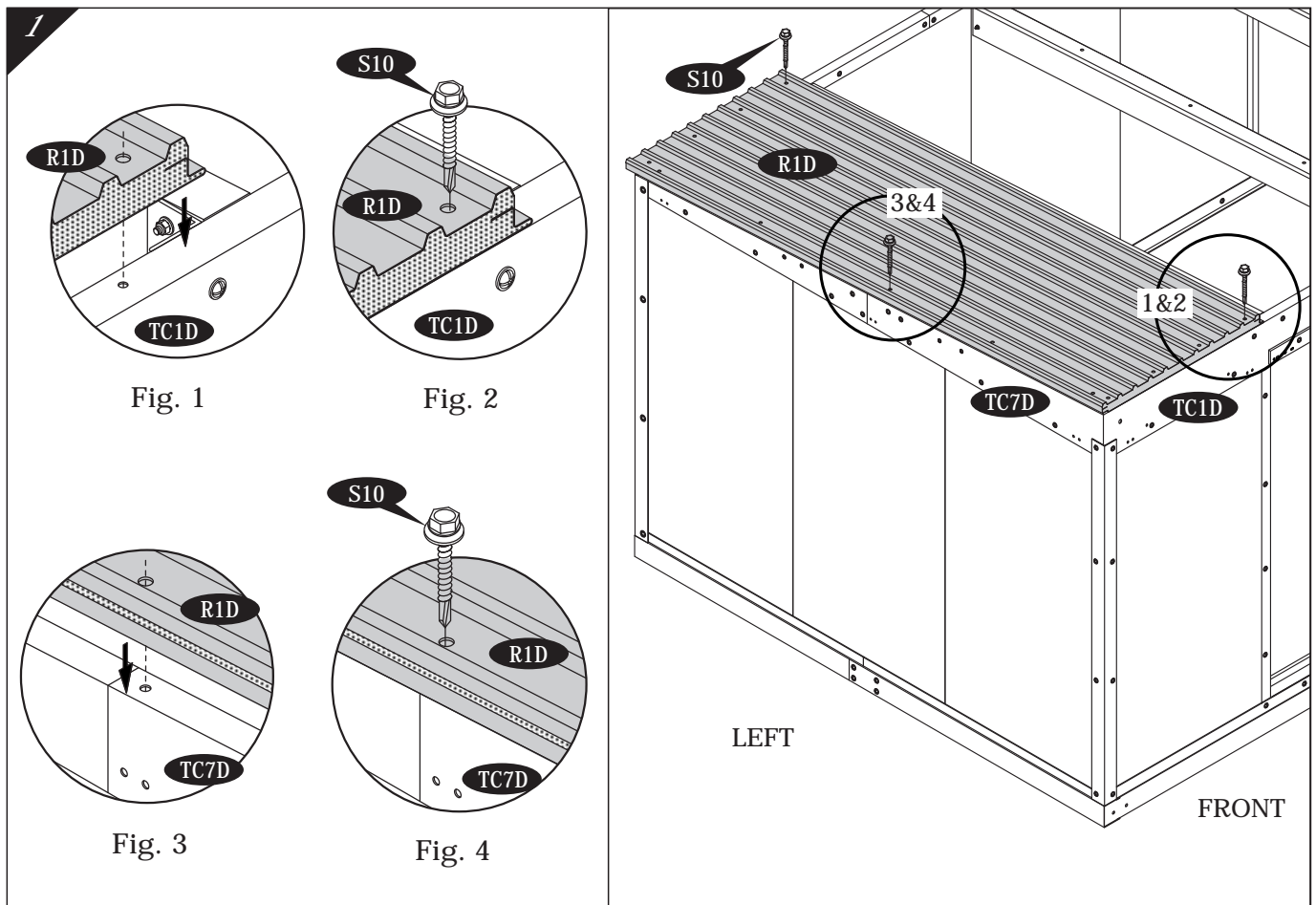
CODE	QTY	CODE	QTY
R1D	1	GJD	1
R2D	2	GSD	4
R3D	1	PC1D	1
RFD	1	PC2D	1
RF2D	1	P2BE	2
RF3D	1	DFA4	1
RF4D	1	DNS	1
RF5D	1	DCV4	1
RF6D	1	S2	85
RF7D	1	S3	2
RFSD	10	S8	4
GLD	1	S10	42
GRD	1	S15	24
		S16	42



Remove the protective films before start assembly.

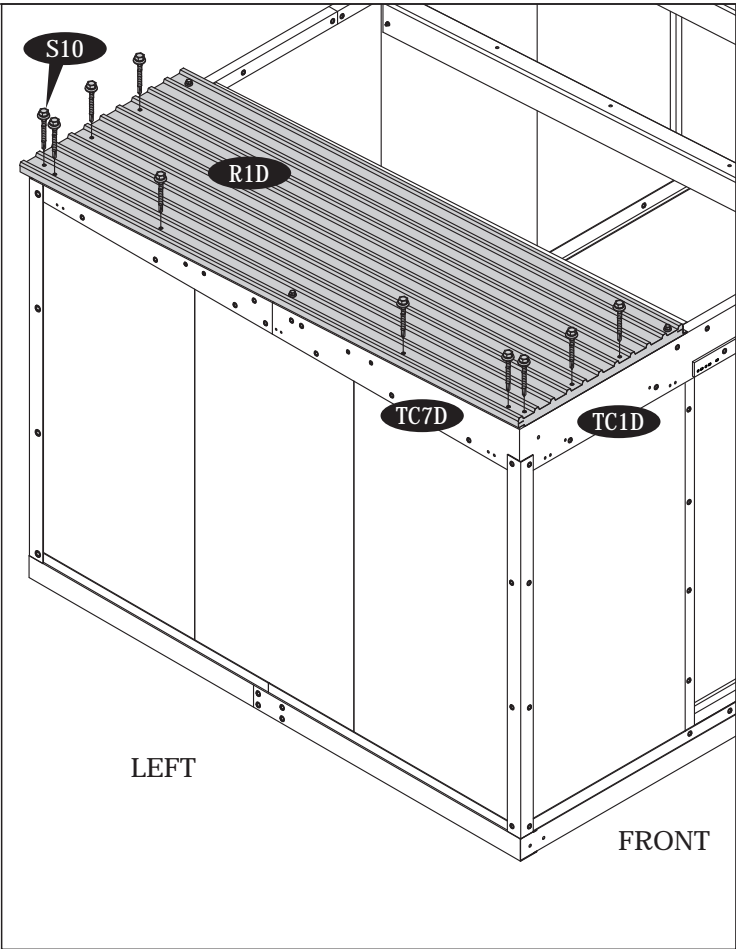


On top 'U' channel these 3 holes are Pre-drilled for reference, align the holes and secure.



IMPORTANT : USE HAND GLOVES TO PREVENT INJURY.

2



3

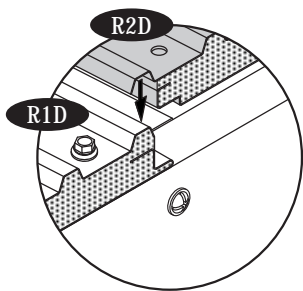


Fig. 1

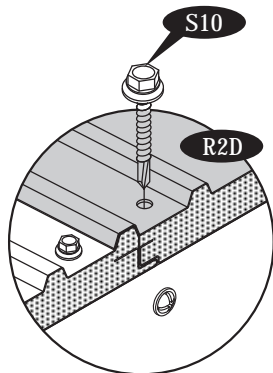
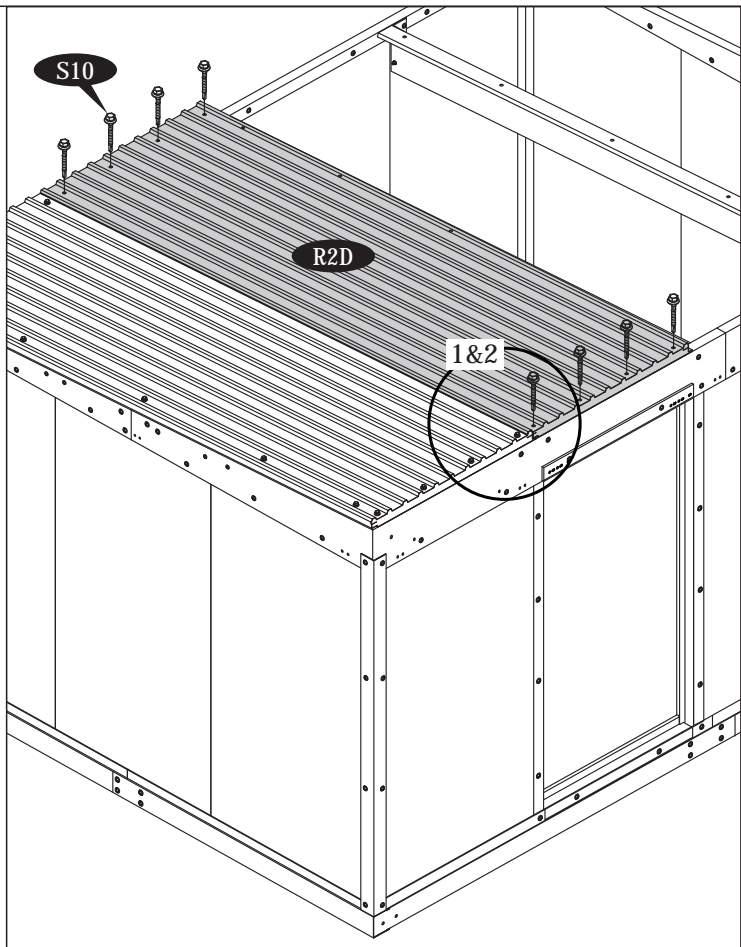


Fig. 2



24

IMPORTANT : USE HAND GLOVES TO PREVENT INJURY.

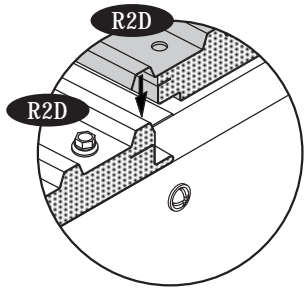


Fig. 1

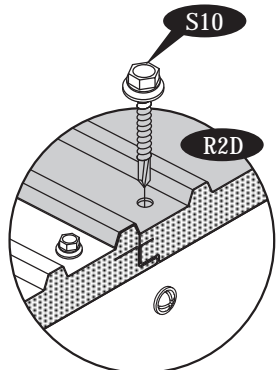


Fig. 2

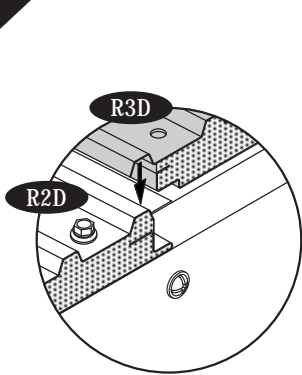
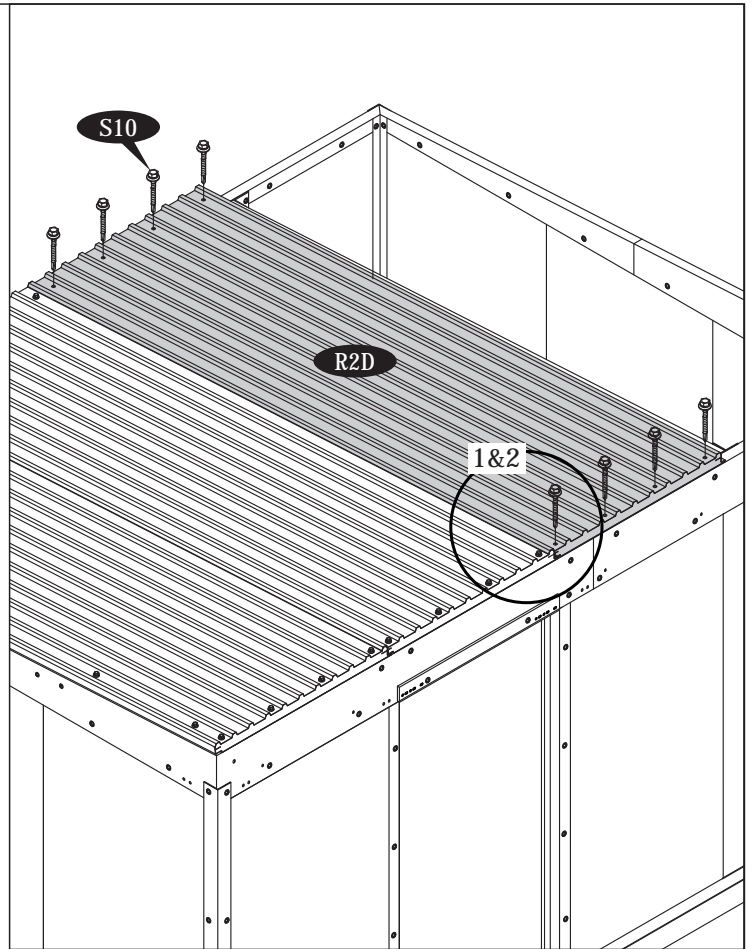


Fig. 1

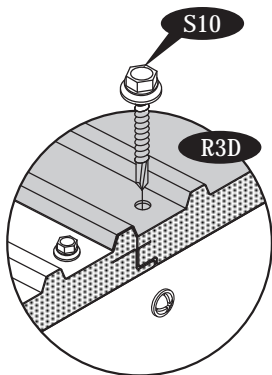


Fig. 2

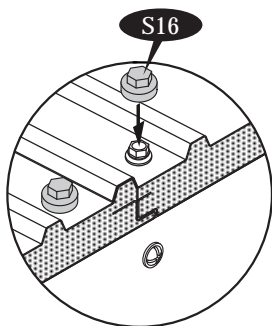
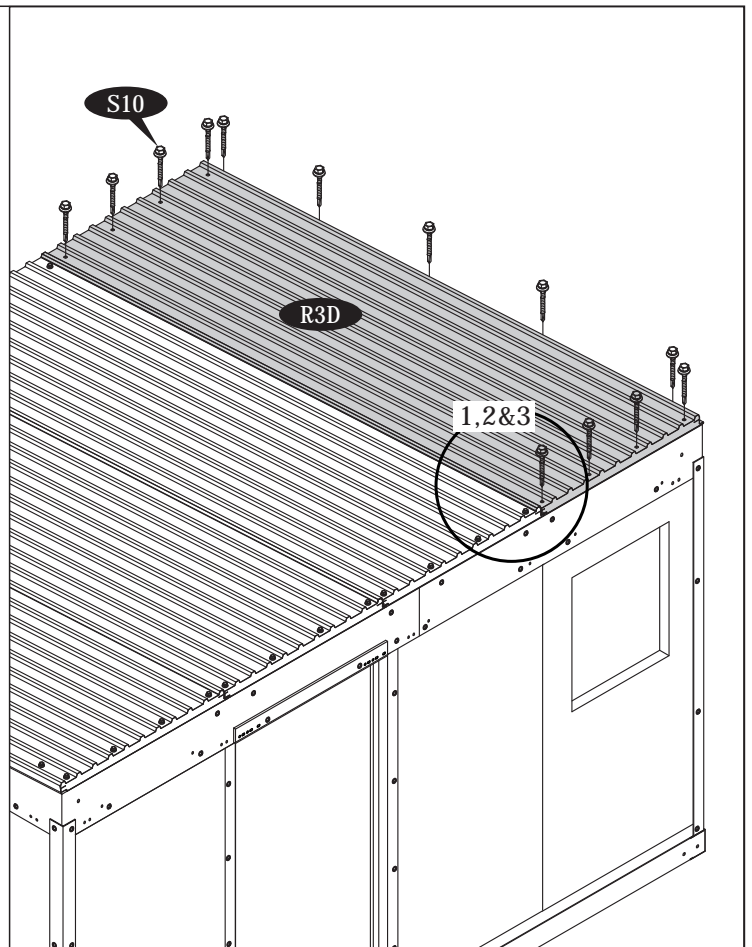


Fig. 3



IMPORTANT : USE HAND GLOVES TO PREVENT INJURY.

6

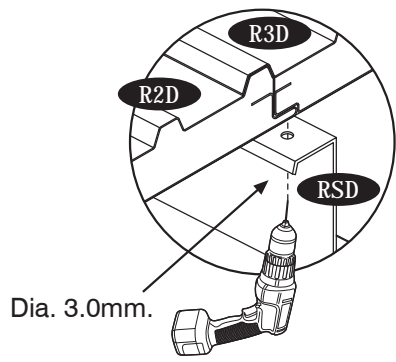


Fig. 1

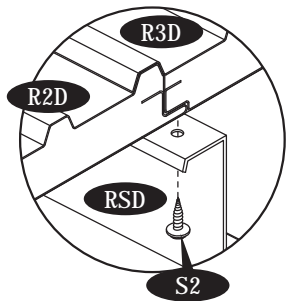
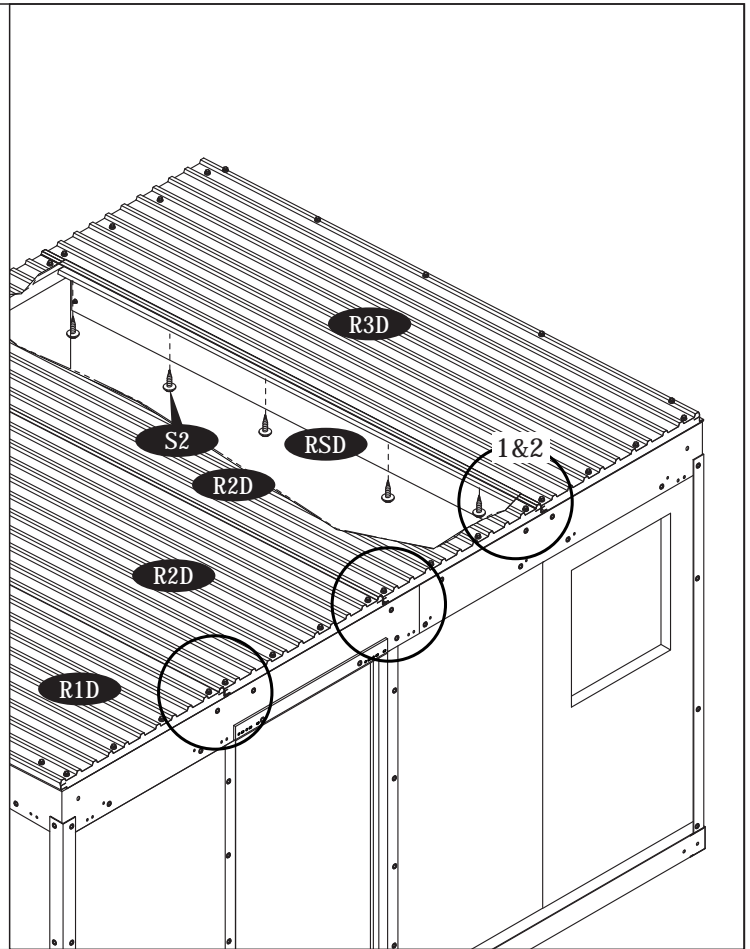


Fig. 2



7

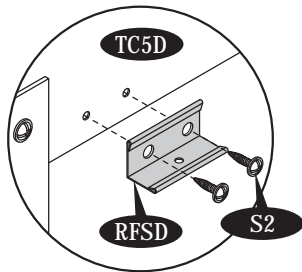


Fig. 1

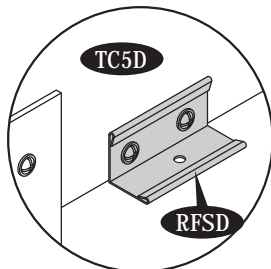
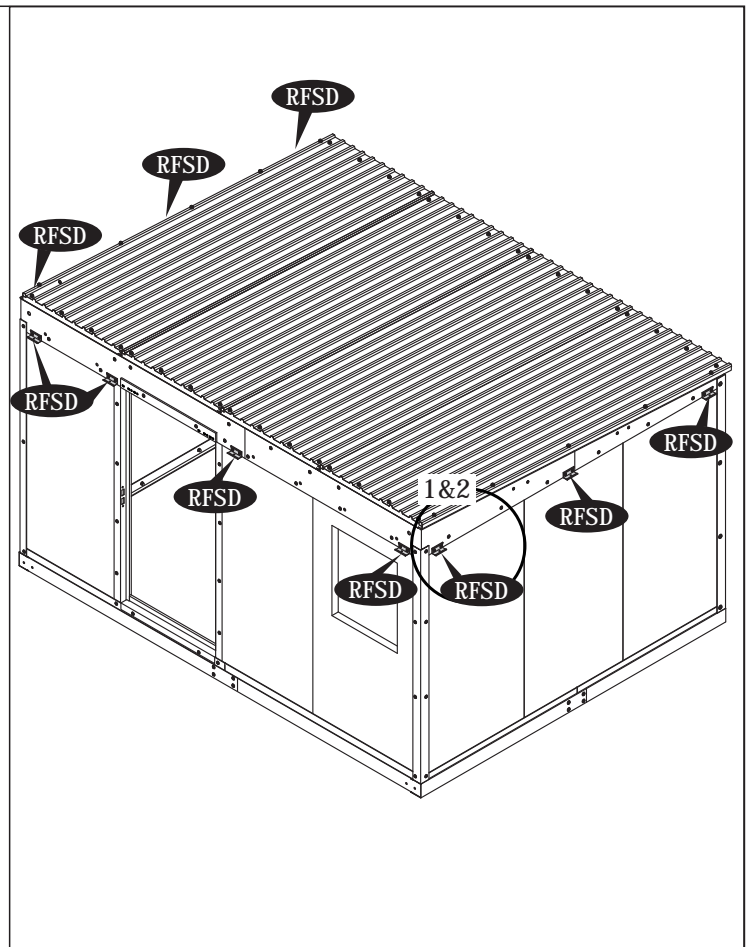


Fig. 2



26

IMPORTANT : USE HAND GLOVES TO PREVENT INJURY.

8

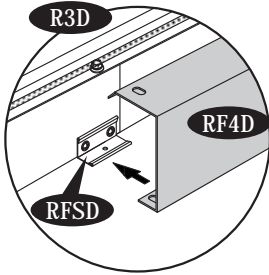


Fig. 1

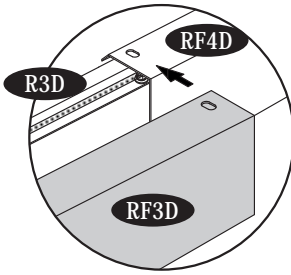


Fig. 2

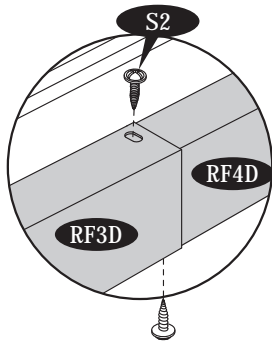
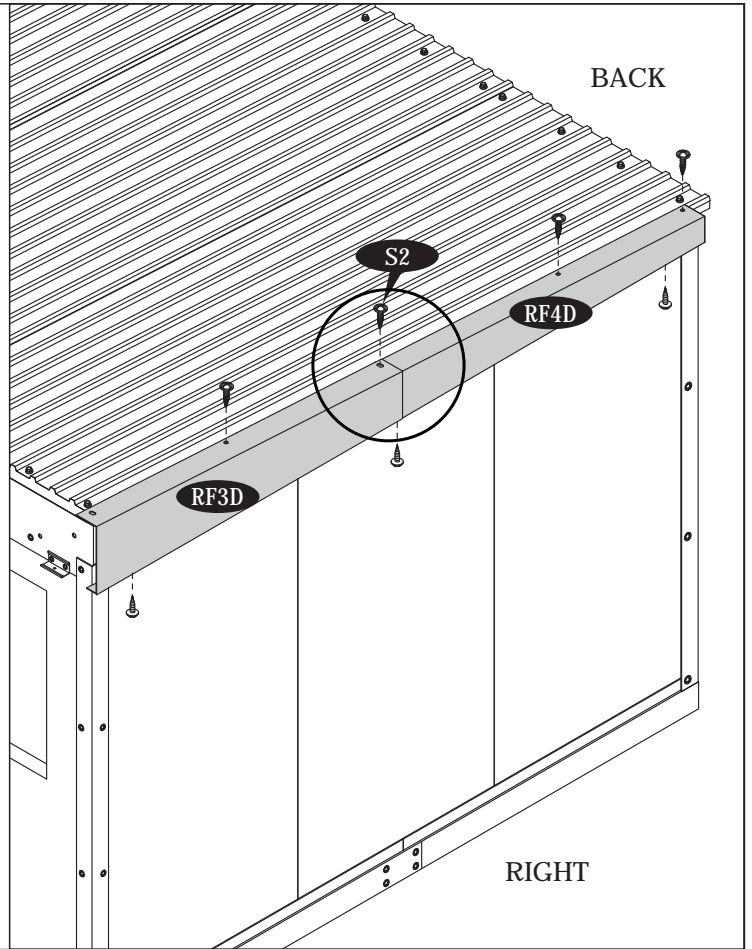


Fig. 3



9

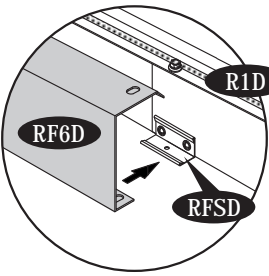


Fig. 1

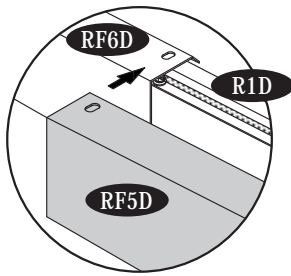


Fig. 2

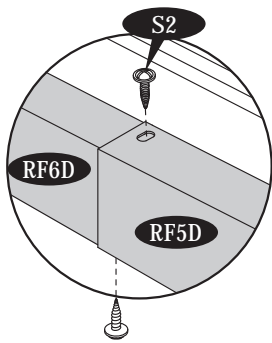
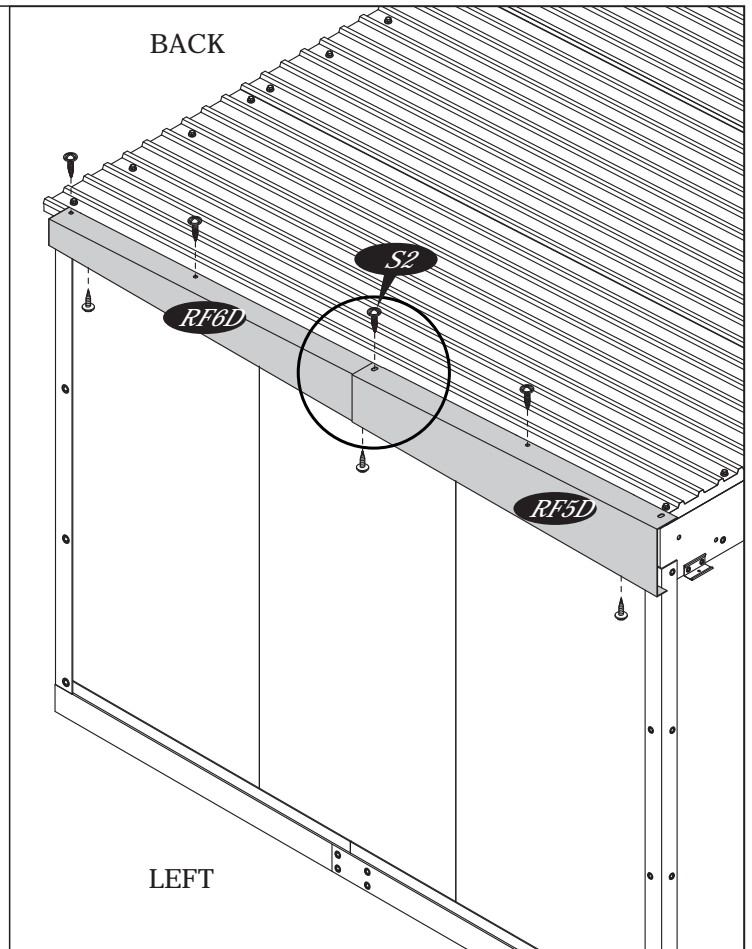


Fig. 3



21

IMPORTANT : USE HAND GLOVES TO PREVENT INJURY.

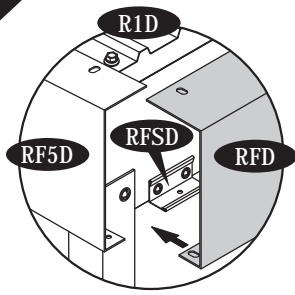


Fig. 1

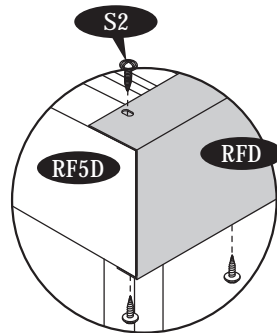


Fig. 2

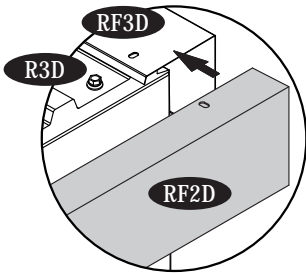


Fig. 3

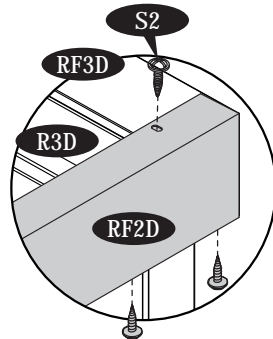


Fig. 4

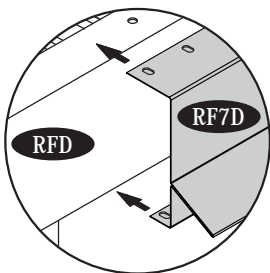


Fig. 5

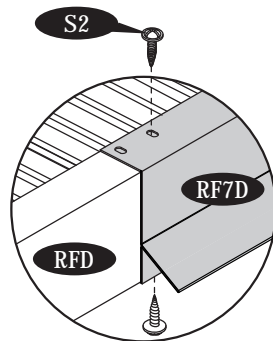
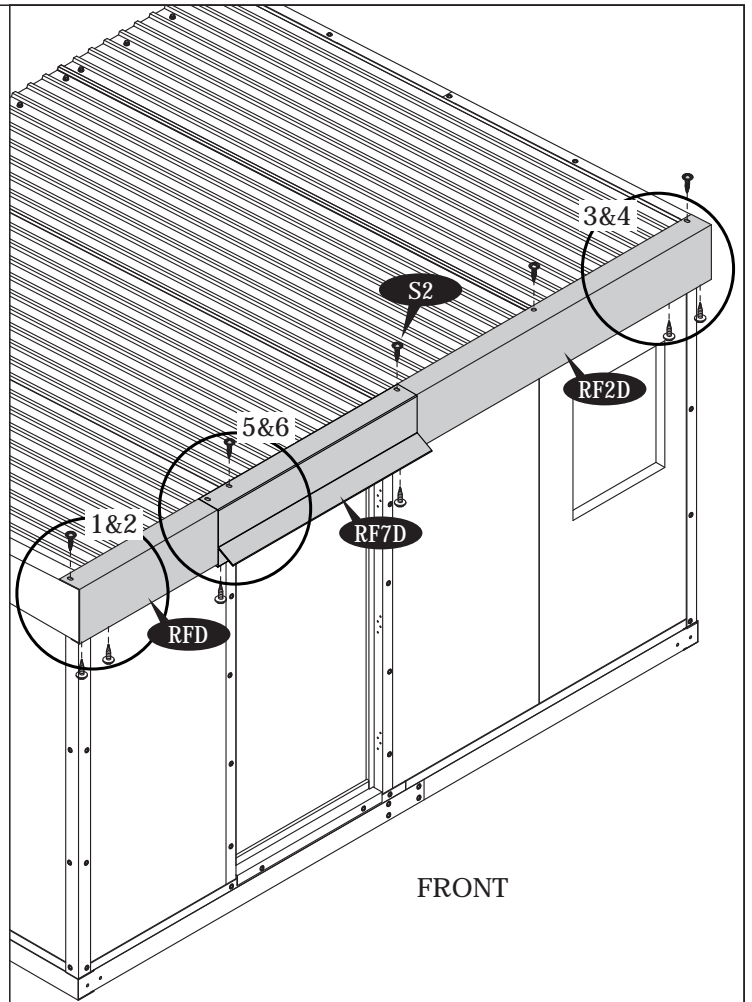


Fig. 6



FRONT

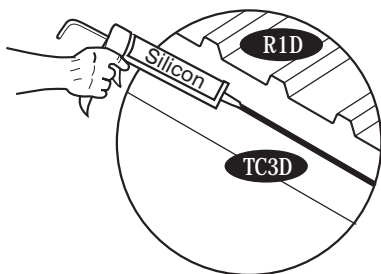


Fig. 1

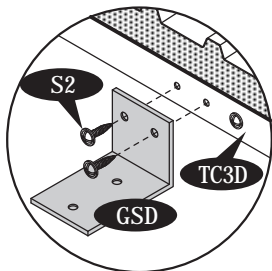


Fig. 2

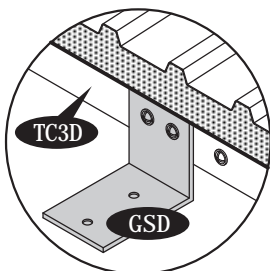
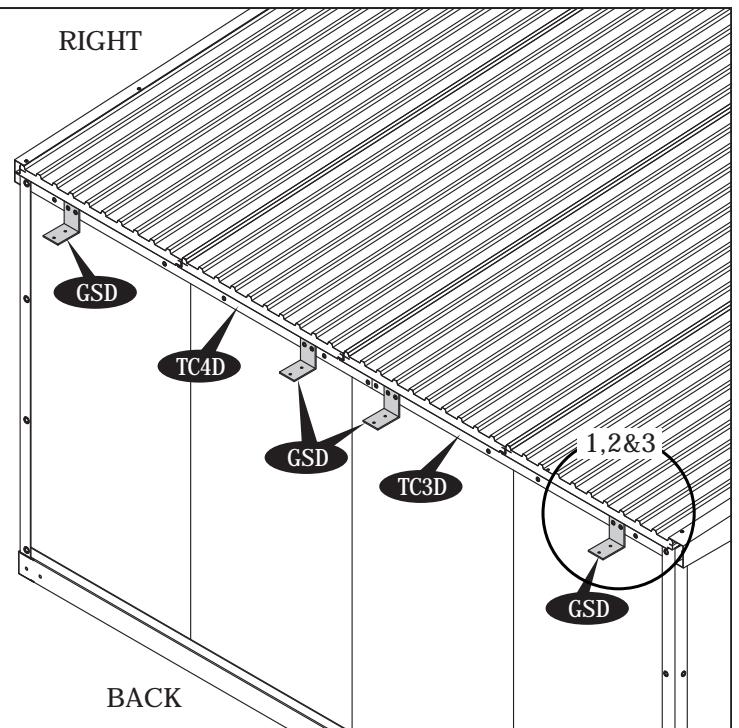


Fig. 3



RIGHT

BACK

IMPORTANT : USE HAND GLOVES TO PREVENT INJURY.

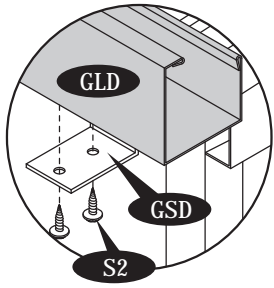


Fig. 1

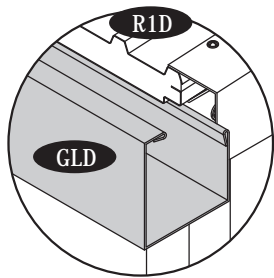
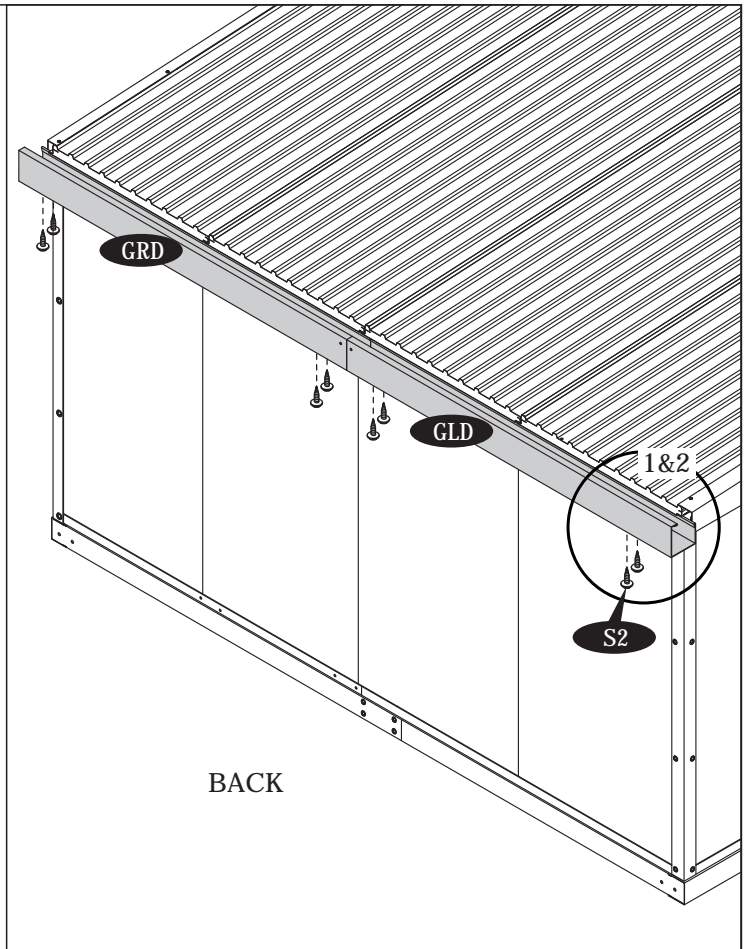


Fig. 2



BACK

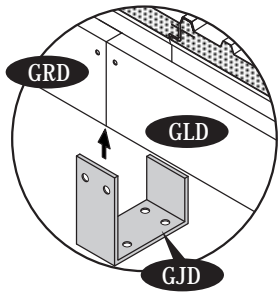


Fig. 1

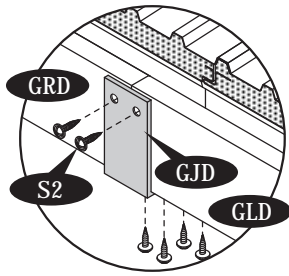


Fig. 2

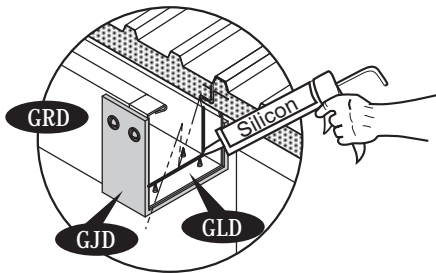
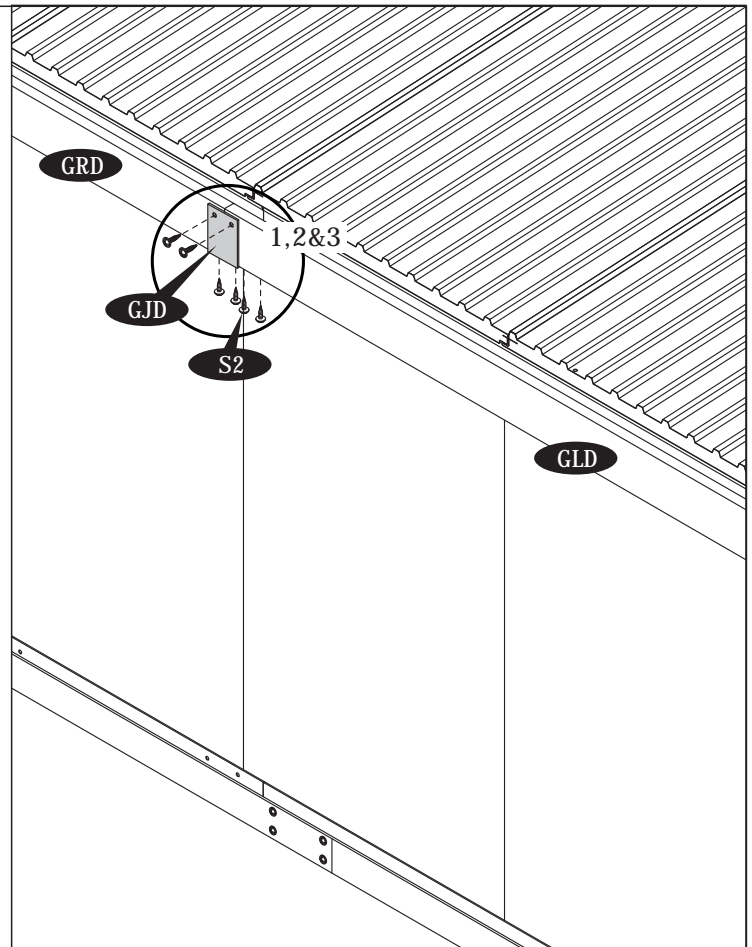


Fig. 3



IMPORTANT : USE HAND GLOVES TO PREVENT INJURY.

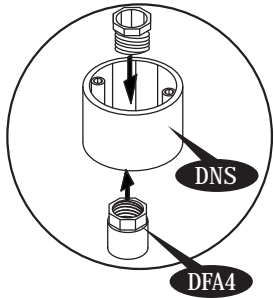


Fig. 1

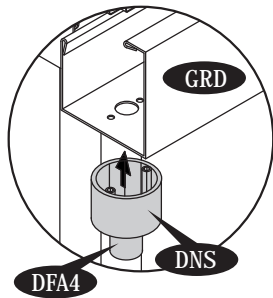


Fig. 2

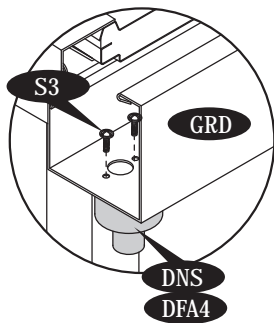


Fig. 3

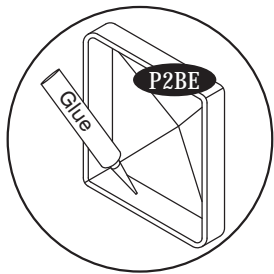
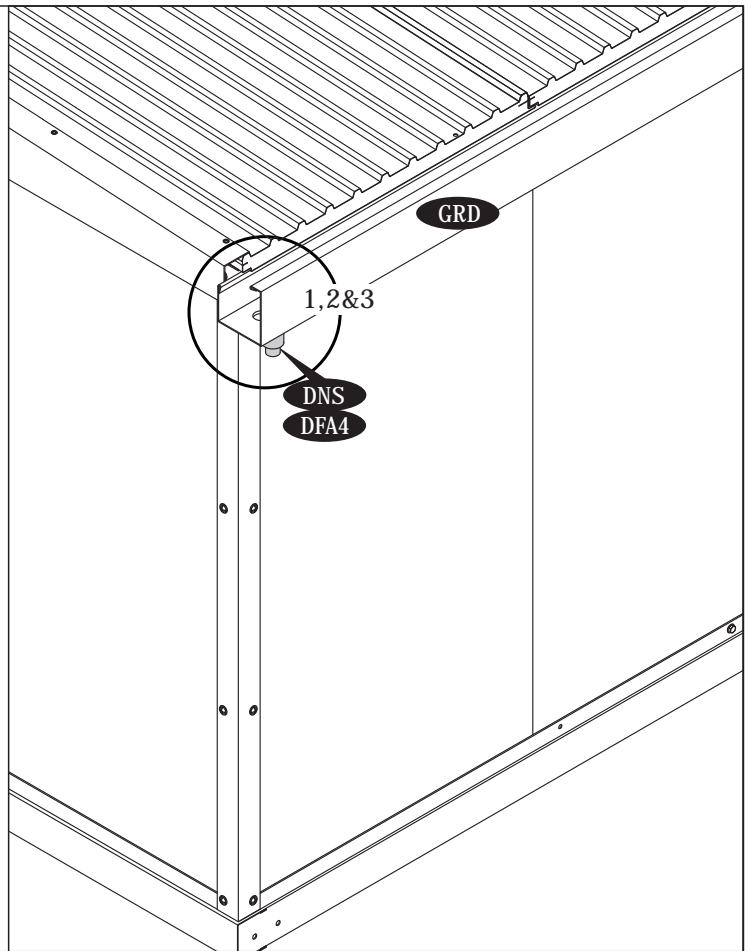


Fig. 1

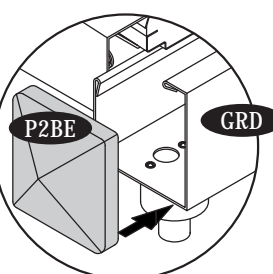


Fig. 2

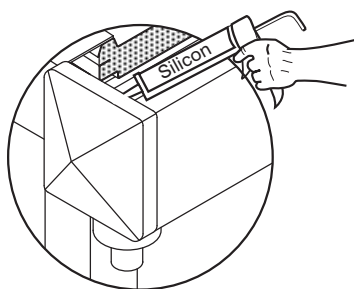
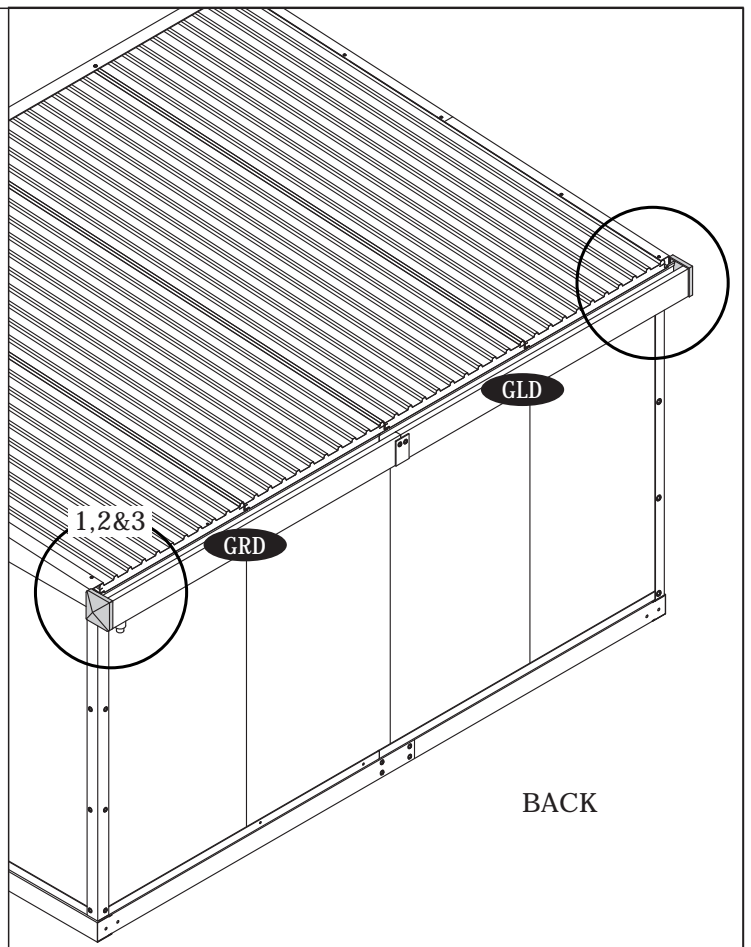


Fig. 3



IMPORTANT : USE HAND GLOVES TO PREVENT INJURY.

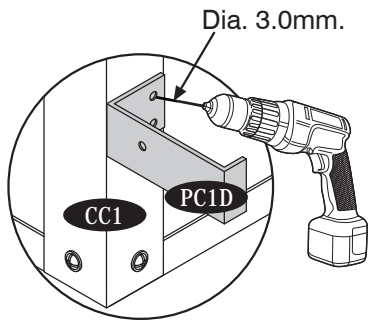


Fig. 1

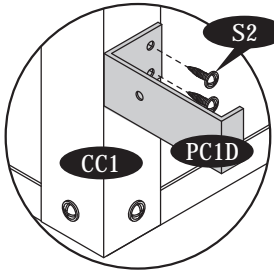


Fig. 2

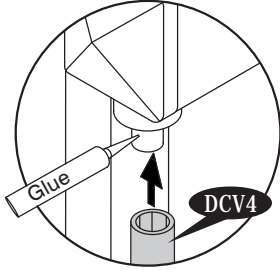


Fig. 3

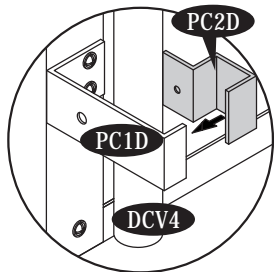


Fig. 4

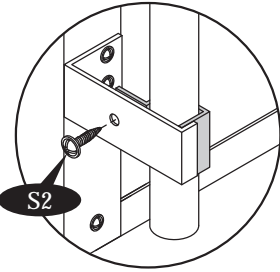


Fig. 5

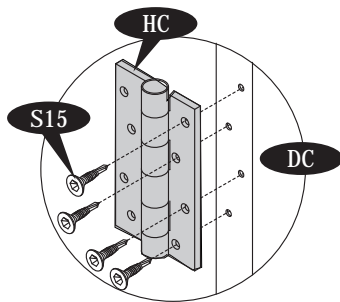
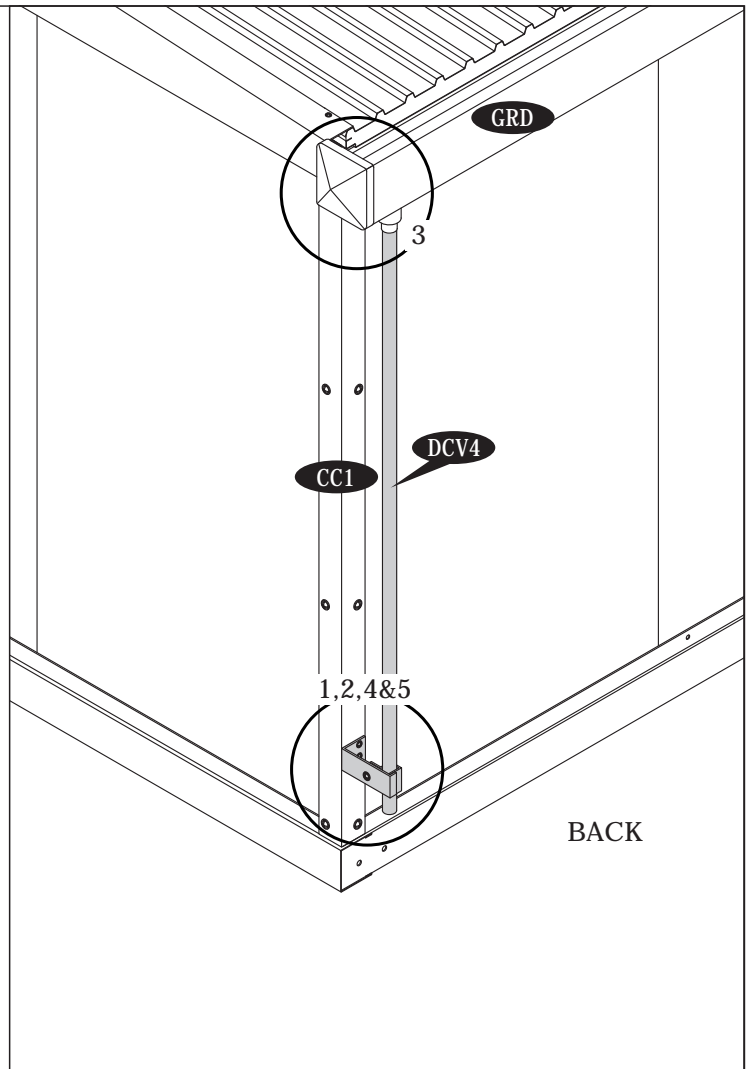


Fig. 1

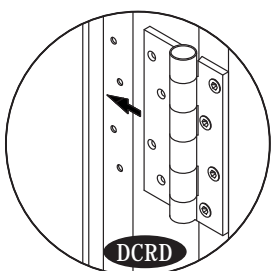


Fig. 2

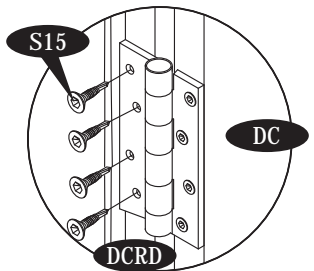
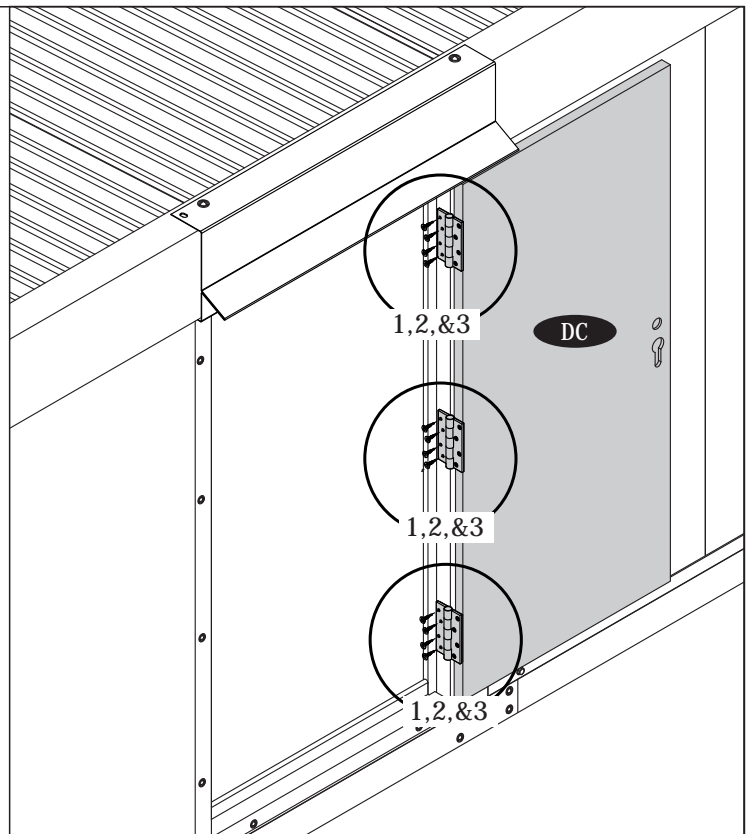


Fig. 3



IMPORTANT : USE HAND GLOVES TO PREVENT INJURY.

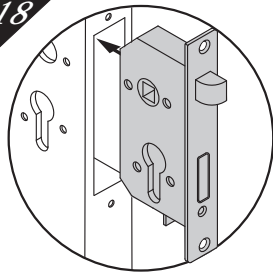


Fig.1

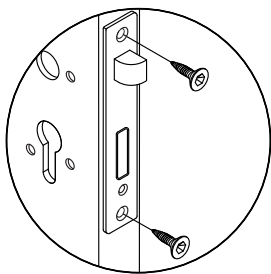


Fig.2

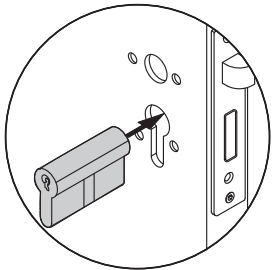


Fig.3

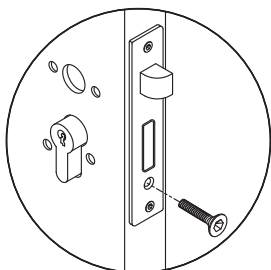


Fig.4

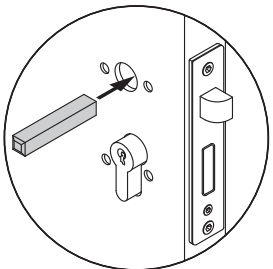


Fig.5

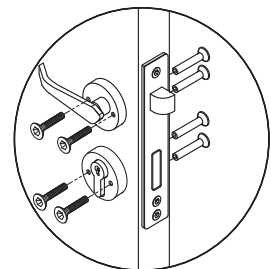


Fig.6

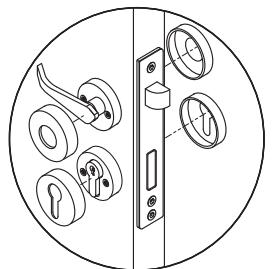


Fig.7

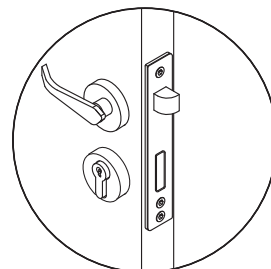
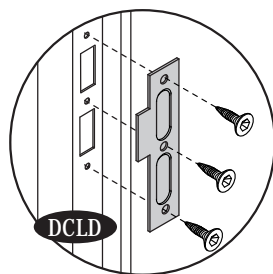
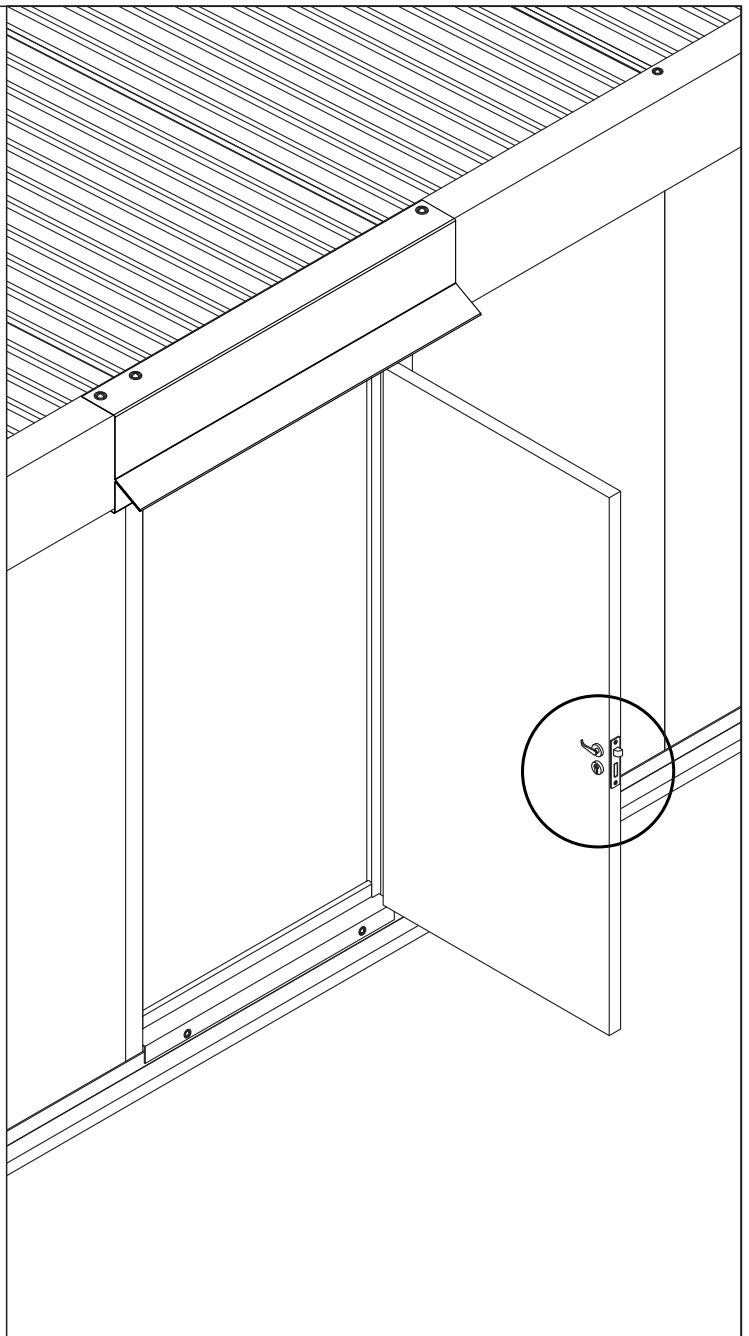
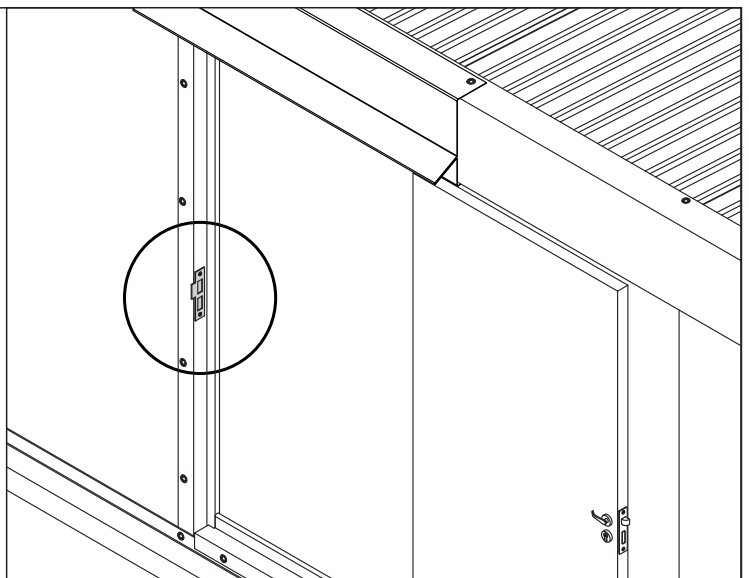


Fig.8

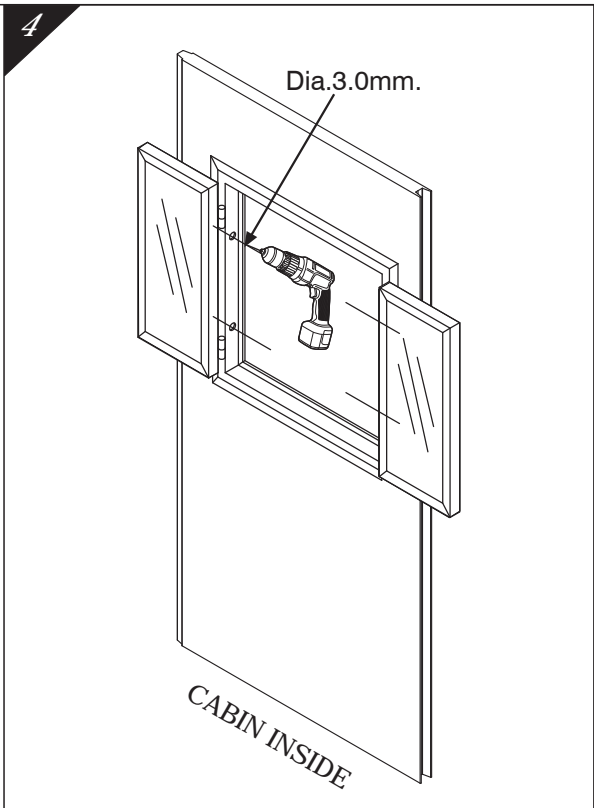
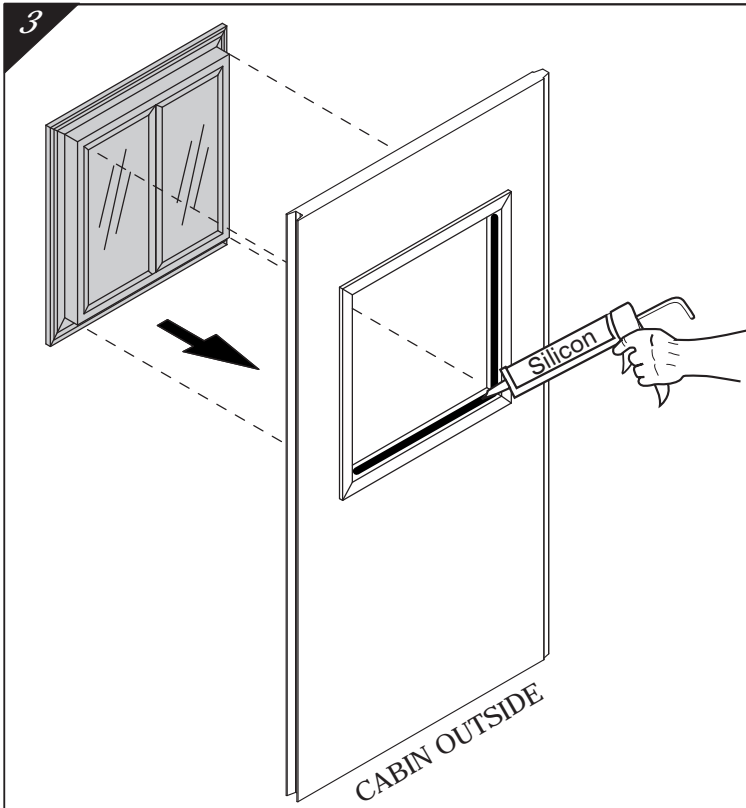
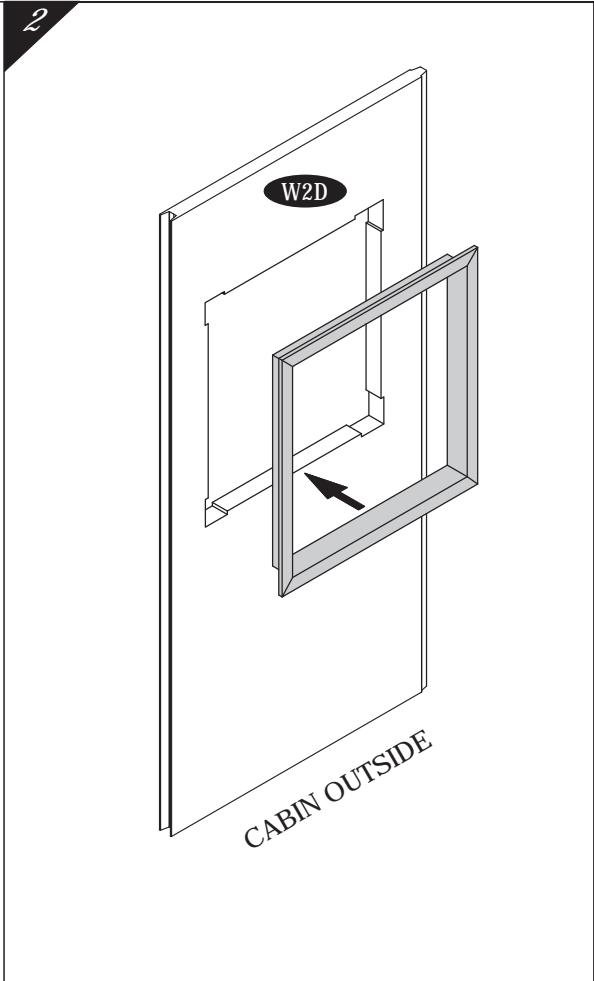
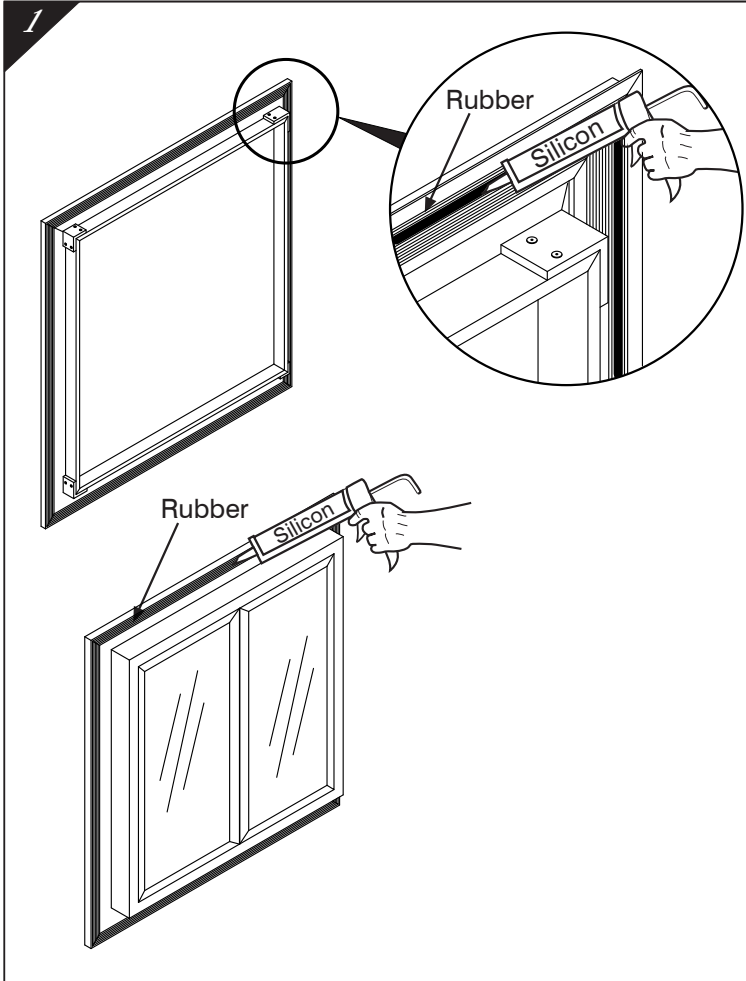


DCLD



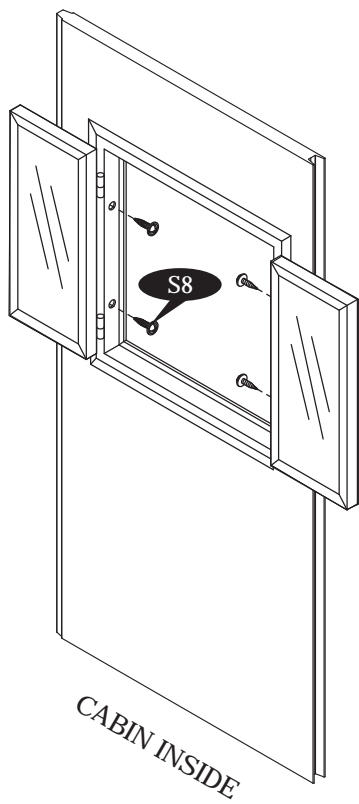
IMPORTANT : USE HAND GLOVES TO PREVENT INJURY.

D. Window Assembly



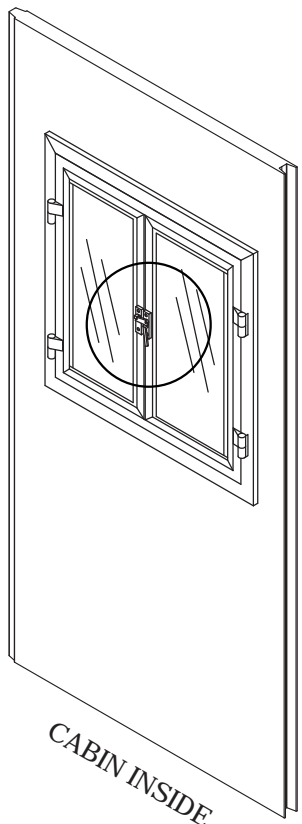
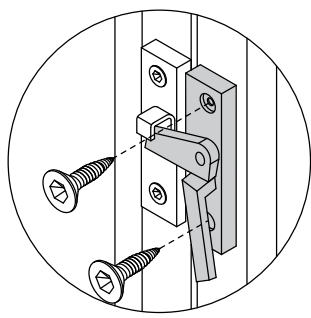
IMPORTANT : USE HAND GLOVES TO PREVENT INJURY.

5



CABIN INSIDE

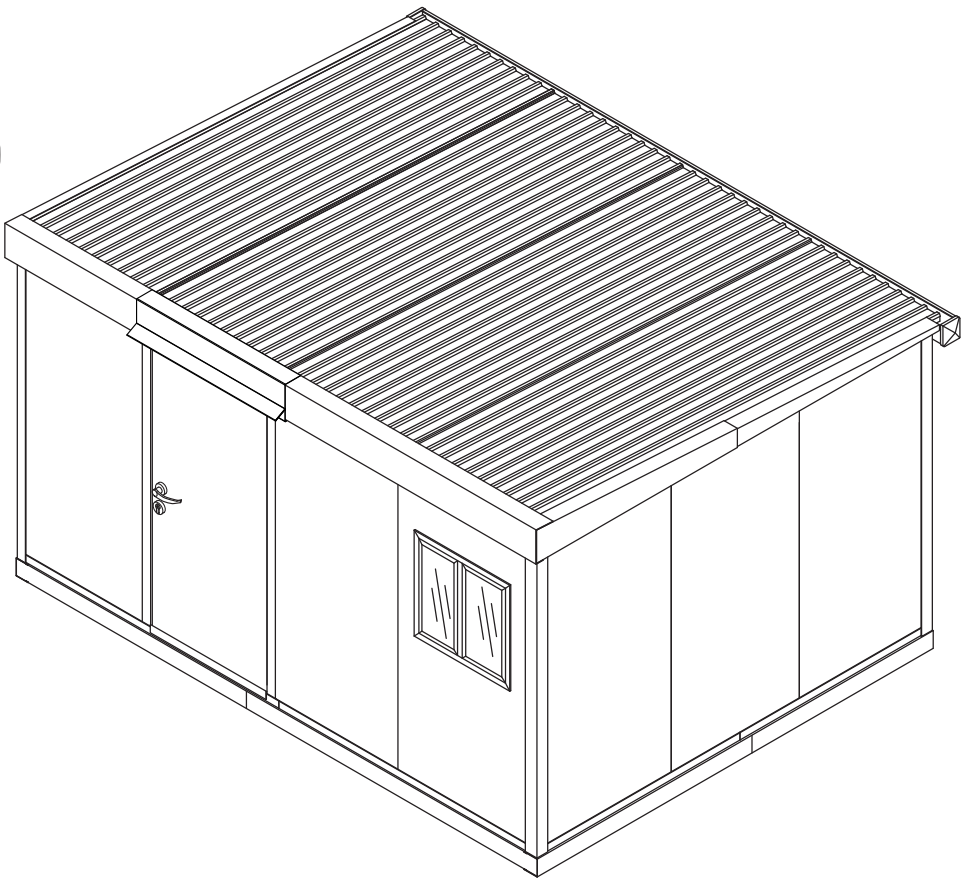
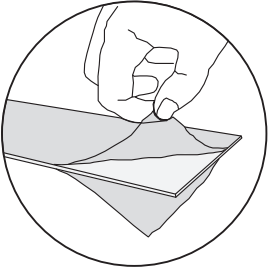
6



CABIN INSIDE



Remove the protective films after assembly.



IMPORTANT : USE HAND GLOVES TO PREVENT INJURY.



U.S. Polymers, Inc.
1057 S. Vail Ave
Montebello, CA 90640,
United States of America