



Pioneer Peak - Tarp Roof

Timber Shield Post Option
BOXES: CB, W-1, TSB, 120

Model: 1500DT

[BOXES: 1501, 1502, 1509N,
1509T, 1510, 1511, 1517, 1523,
Tire Swing & Slide Box]

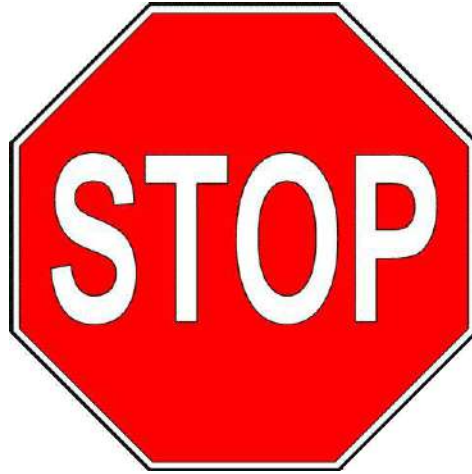
Amber Post Option
BOXES: 1519, 1520 - 2bx,
1522, 1524

Copyright © 2016 Gorilla Playsets
All Rights Reserved



51-0006-T

190 Etowah Industrial Court
Canton, GA 30114
www.gorillaplaysets.com



Please inspect and inventory all parts immediately upon accepting delivery. Use the inventory pages in the manual to make sure you have received all necessary parts. The quickest method to get any parts that are missing or damaged is to use our “Quick Response Center” located at:

www.gorillaplaysets.com/support

DO NOT RETURN THIS PRODUCT TO THE RETAILER OR CONTACT THE RETAILER DIRECTLY. THE RETAILER DOES NOT STOCK COMPONENTS.

PLEASE RETAIN ALL INSTRUCTIONS FOR FUTURE REFERENCE. KEEP THEM IN A SAFE PLACE WHERE YOU CAN REFER TO THEM AS NEEDED. CHECK FOR REVISED INSTRUCTIONS AT:

www.gorillaplaysets.com/manuals

GORILLA PLAYSETS WARRANTY – 2016

Gorilla Playsets® (“Gorilla”) warrants its play sets to be free from defects in workmanship and materials, under normal use and conditions, for 10 years for above ground structural wood components and for one year for all other components (e.g., swings, hardware, plastics, tarps, rope ladder, etc.).

Gorilla warrants all remaining products, including but not limited to its , Free Standing Swing Set, Free Standing Tire Swing, See-Saw, Children’s Picnic Table with Umbrella, Play-Zee-Bo™, Cedar Toy Chest and spring riders to be free from defects in workmanship and materials, under normal use and conditions, for a period of 1 year.

Cosmetic imperfections and natural tendencies of wood such as peeling, splintering, warping, seasonal checking or cracking, knots or knot holes, etc. are normal characteristics of all outdoor wooden play equipment and are not covered by this warranty. Checks or cracks in wood components that do not affect the intended function of the part, piece or overall swing set are not covered under this warranty.

Wood rot or decay that develops because the product was installed in an area with poor drainage is not covered under this warranty. Lumber that has been damaged by wood boring bees, or conditions that develop as a result of faulty or improper installation of the product, are not covered by this warranty. Fading of stain, discoloration or mold on any wood part or accessory is not covered by this warranty. Cracks in plastic components, surface rust on hardware and chips on powder coated materials are not considered defects in material as long as they do not affect the functionality or structural integrity of the part or component.

It is the owner’s responsibility to maintain the swing set. **This includes but is not limited to staining and sealing the lumber as needed and regular inspection to be sure all hardware is tight.** Instructions for proper maintenance can be found on Gorilla’s website. Imperfections or conditions that develop because of a failure to properly maintain the swing set are not covered by this warranty.

Gorilla will, at its discretion, replace any above ground part within the stated warranty period that is defective in workmanship or materials. This decision is subject to verification of the defect, which, at Gorilla’s discretion, may be accomplished by submitting photographs or by delivery of the defective part to Gorilla Playsets • 190 Etowah Industrial Ct. • Canton, GA 30114 • 1-800-882-0272 Monday to Friday 9AM-5PM EST. Any warranty claim must include proof of purchase, including the date of purchase. **In addition, within the first 30 days from the date of purchase, Gorilla will replace any parts discovered to be missing from or damaged in the original packaging.**

This warranty is valid only if the product is used for the purpose for which it was designed and installed at a residential, single-family dwelling. This warranty is void if the product is used in a commercial, institutional or multi-family setting. **This warranty does not cover normal wear and tear or (a) products that have been damaged by acts of God and/or nature, negligence, misuse or accident; (b) products that have been modified or repaired by unauthorized persons; (c) the cost of labor; or (d) the cost of shipping any replacement product or part.**

GORILLA DISCLAIMS ALL OTHER REPRESENTATIONS AND WARRANTIES OF ANY KIND, EXPRESSED, IMPLIED, STATUTORY OR OTHERWISE, INCLUDING THE IMPLIED WARRANTIES OF MERCHANTABILITY AND FITNESS FOR A PARTICULAR PURPOSE. GORILLA WILL NOT BE LIABLE FOR ANY INCIDENTAL OR CONSEQUENTIAL DAMAGES. This warranty is non-transferable and does not extend to the owners of the product subsequent to the original purchaser. Some states do not allow limitations on implied warranties or exclusion of incidental or consequential damages, so these restrictions may not be applicable to you. This warranty gives you specific legal rights. You may also have other rights which vary from state to state.

IMPORTANT SAFETY GUIDELINES

This product is recommended for use by children ages 3-11. This product is intended for residential use only and not intended for use in any public setting. A safety surface such as mulch or recycled tire should be used under the play set to prevent injury from falls. Also a 6 foot safety zone should be used around the entire play set.

As with any home project, good judgment and respect for power tools will greatly reduce the risk of injury. Gorilla recommends you follow all tool manufacturers' safety guidelines. Always wear eye protection and safety gloves to prevent injury. In several phases of construction two people may be required for lifting and securing of lumber. While the play set is being constructed, please keep children off the equipment until the project is complete. Bolts and screw heads should be checked regularly for tightness. The ground ladder, rope ladder, slide, swings and other areas where children spend a majority of their playtime should be checked more frequently.

Gorilla shall not be liable for incidental, indirect or consequential damages or injuries that result from building and/or playing on our play sets. Adult supervision is recommended anytime a play set is being used.

WEIGHT LIMITS FOR GORILLA PLAYSETS

- FORT PLATFORMS: 800 LBS. TOTAL WEIGHT
- SWING BELT: 225 LBS.
- TANDEM SWINGS: 70 LBS. PER CHILD. UP TO 140 LBS. TOTAL WEIGHT.
- TRAPEZE: 125 LBS.
- FULL BUCKET SWING/ HALF BUCKET SWING: 50 LBS.
- HEAVY DUTY TODDLER BUCKET SWING: 85 LBS.
- INFANT SWING: 35 LBS.
- TIRE SWING: 125 LBS. TOTAL WEIGHT
- ROPE LADDER: 75 LBS.
- ROCK WALL: 150 LBS.
- CLIMBING RAMP: 150 LBS.
- MONKEY BARS: 175 LBS.
- ALL SLIDES: 150 LBS.

Gorilla recommends that the weight limits for all components must not be exceeded. Failure to adhere to these and other safety guidelines could result in damage to the play set and injury to the users.

THIS PAGE INTENTIONALLY LEFT BLANK

IMPORTANT – PLEASE READ

Congratulations! You have just purchase one of the finest residential wooden swing sets available today. As with any wooden product that spends its entire life outside, in varying elements, it is important to know what to expect with your new swing set so that your family can enjoy it for many years.

As your swing set acclimates to its new environment, natural characteristics of the wood can show in the form of checks, or “cracks” in the lumber. In almost all cases this is normal and it will not affect the structural integrity of your play set and is not covered under warranty.

KEEPING YOUR PLAYSET LIKE NEW

MUST DO's

The following owner responsibilities are crucial to the safety, integrity and aesthetic appeal of your swing set and may affect the warranty if not adhered to.

WITHIN 60 DAYS

- Check and tighten Hex Bolts/T-nuts, Carriage Bolts/Lock-nuts, and Lag Screws within the first 60 days and then twice annually – once before each season and then once during the season.

WITHIN 90 DAYS

- Apply a **sealant** or **semi-transparent stain with sealant** within the first 90 days of owning the swing set. Our own Stain/sealant is available online here: <http://www.gorillaplaysets.com/Playground-Sealant-p/10-0003.htm>

Oil based stain or water based stain may be used. Should you choose to use other stain we suggest asking the product covering specialists at any number of specialty paint stores or home improvement centers for a product that would work best for your local environment. ** TIP – while the set is new, take a small board from to the store with you so they can color match the tint of the stain or sealant.

SEASONAL REMINDERS

- If your area experiences regular snowfall, remove your fabric tarp/canopy to avoid stretching, sagging or tearing of the material. Store it inside, folded up, and it will be as good as new when winter is over.
- If your area experiences extremely cold temperatures, remove swing belts and other pliable features to prolong the lifespan of these play activities.

OTHER TIPS

- Spray swing hangers with Pam, Mazola or olive oil to stop squeaking; do not use petroleum based products such as WD-40 or motor oil.
- To repel yellow jackets and wasps, use a cotton ball and dab interior wooden corners underneath the play set deck with a liquid dish soap. Avoid using insecticides.
- To speed up the slide wipe the center of slide with wax paper every 2 - 3 weeks.

For additional safety and maintenance guidelines, please visit our website.



IMPORTANT DOCUMENTS

CUSTOMER MUST READ AND RETAIN

Please go to the following links and read important **SAFETY** information prior to using your new play structure.

<http://www.gorillaplaysets.com/Swing-Set-Safety-s/85.htm>

<https://www.gorillaplaysets.com/Maintenance-s/129.htm>

<http://www.gorillaplaysets.com/manuals.html> (Click on your specific model)

<http://www.gorillaplaysets.com/Warranty-s/82.htm>

NOTE: Your children's safety is our #1 concern. Observing the following statements and warnings reduces the likelihood of serious injury. Please review these safety rules regularly with your children.

WARNING:

Children must NOT use this play set until it has been completely assembled and inspected by an adult to ensure it has been properly installed.

Gorilla Playsets
190 Etowah Industrial Court
Canton, GA. 30114



Timber Shield Post Option
BOXES: CB, W-1, TSB, 120

Model: 1500DT

[BOXES: 1501, 1502, 1509N,
1509T, 1510, 1511, 1517, 1523,
Tire Swing & Slide Box]

REV: 3.7.2016

Amber Post Option
BOXES: 1519, 1520 - 2bx,
1522, 1524

TABLE OF CONTENTS

| | |
|--|-------------|
| Safety Guidelines..... | Pages 3-6 |
| Leveling Fort, General Information and Definitions..... | Pages 6-8 |
| How to Install T-Nuts, Board Identification, Predrill Lag Screw Directions and Swing Beam Loading..... | Pages 9-13 |
| Site Plan, Required Tool List and Kit Contents..... | Pages 14-15 |
| Hardware, Lumber and Accessory Checklist..... | Pages 16-38 |
| Adding T-Nuts to Corner Posts..... | Step 1 |
| Framing Fort..... | Steps 2-9 |
| Mounting Deck..... | Step 10 |
| Rock Wall Assembly and Installation..... | Steps 11-15 |
| Ramp Assembly and Installation..... | Steps 16-19 |
| Center Post, Panel Slat and Tarp Board Installation..... | Steps 20-21 |
| Swing Beam Assembly..... | Steps 22-29 |
| Tarp..... | Step 30 |
| Hanging Swings, Safety Board..... | Steps 31-32 |
| Picnic Table Assembly and Installation..... | Steps 33-35 |
| Tire Swing Assembly and Installation..... | Steps 36-39 |
| Rope Ladder Assembly and Installation..... | Step 40 |
| Telescope and Safety Handles..... | Steps 41-42 |
| Climbing Ropes, Flag Kit, Sandbox Seats/Name Plate..... | Steps 43-45 |
| Ground Stakes, Steering Wheel | Steps 46-47 |
| PART 2: Clatterbridge Assembly..... | Steps 1-29 |
| Appendix: Clatter Bridge Mesh Panels..... | Page 132 |

**PLEASE READ OWNER'S MANUAL CAREFULLY
BEFORE STARTING ASSEMBLY!**

Safety and Maintenance Tips for Your New Play Set:

NOTE: Your children's safety is our #1 concern. Observing the following statements and warnings reduces the likelihood of serious or fatal injury. Please review these safety rules regularly with your children.

- This play set is designed for the use of 4 occupants who have a combined weight not exceeding 800 pounds on the elevated floor, 3 occupants who have a combined weight of 425 pounds on the swing area, for a total Unit capacity of 7 occupants who have a combined weight of 1225. (This weight does not include any picnic table area(s).)
- On-site adult supervision is required.
- Teach children not to walk close to, in front of, behind, or between moving swings or other moving playground equipment.
- Teach children to sit in and never stand on swings
- Teach children not to twist the chains and ropes and not to loop them over the swing beam, since this may reduce the strength of the chain or rope.
- Teach children not to jump from swings or other playground equipment in motion.
- Teach children not to push empty seats. The seat may hit them and cause serious injury.
- Teach children to sit in the center of the swings with their full weight on the seats.
- Teach children not to use the equipment in a manner other than intended.
- Teach children to always go down slides feet first. Never slide headfirst.
- Teach children to look before they slide to make sure no one is at the bottom.
- Teach children to never run up a slide, as this increases their chances of falling.
- The parents should have the children dress appropriately with well-fitting shoes. Loose clothing such as scarves and ponchos should not be worn. Always take off, tie up or tuck in cords and drawstrings on children's clothing. These things can get caught on playground equipment and strangle a child.
- Teach children not to climb when the equipment is wet.
- Teach children to never jump from a fort deck. They should always use the ladder, ramp or slide.
- Teach children to never crawl or walk across the top of monkey bars or swing beam.
- Teach children to never crawl on top of a fort roof or on the outside of a tube slide.
- Verify that any suspended climbing ropes, chains, or cables are secured at both ends and that they cannot be looped around an adult hand.
- Teach children not to attach items to the playground equipment that are not specifically designed for use with the equipment, such as, but not limited to, jump ropes, clothesline, pet leashes, cables and chain as they may cause a strangulation hazard.
- Teach children to never wrap their legs around swing chain.
- Teach children to never slide down the swing chain.
- Teach children to remove their bike or other sports helmet before playing on the playground equipment.
- Teach children to NEVER look at the sun or other bright light through any accessory such as but not limited to a telescope, periscope or binoculars.

WARNING: Children must NOT use this play set until it has been completely assembled and inspected by an adult to insure it has been properly installed and the swing beam legs are anchored.

Safety and Maintenance Tips for Your New Play Set: (continued)

Playgrounds should be inspected on a regular basis. If any of the following conditions are noted, they should be removed, corrected, or repaired immediately to prevent injuries.

- Hardware that is loose, worn or that has protrusions or projections.
- Exposed equipment footings.
- Scattered debris, litter, rocks, or tree roots.
- Splinters, large cracks, and decayed wood components.
- Deterioration and corrosion on structural components, which connect to the ground.
- Missing or damaged equipment components, such as handholds, guardrails, swing seats.
- Check all nuts and bolts twice monthly during the usage season and tighten as required. (But not so tight that you crack the wood) We recommend you check the swing beam and hardware often due to wood expansion and contraction. It is particularly important that this procedure be followed at the beginning of each season.
- Remove plastic swing seats and take indoors or do not use when the temperature drops below 32°F. Reinstall swings and other swing equipment at the beginning of the usage season.
- Oil all metallic moving parts monthly during the usage period.
- Check all coverings for bolts and sharp edges twice monthly during usage season to be certain they are in place. Replace when necessary. It is especially important to do this at the beginning of each new season.
- Check swing seats, ropes, cables and chains monthly during usage season for evidence of deterioration. Replacement should be made of any swing seat that has developed cracks in the plastic seats. Ropes, cables and chains should be removed and replaced if excessive wear is found. Contact us for warranted replacement parts.
- Swing chains, rings, ropes, etcetera should always be fastened to a rotating swing hanger. NEVER attach a chain, ring, rope, etcetera to a stationary hanger such as but not limited to an eye bolt. Severe wear could occur leading to an injury.
- For rusted areas on metallic members such as monkey bars, hand supports brackets, etc.; sand and repaint, using a non lead-based paint meeting the requirements of Title 16 C.F.R. Part 1303. These requirements are available at: <http://www.cpsc.gov/>
- Inspect wood parts monthly. The grain of the wood sometimes will lift in the dry season causing splinters to appear. Light sanding may be necessary to maintain a safe playing environment. If you are treating your play set with stain regularly, it will help prevent severe checking/splitting and other weather damage.
- Once or twice a year, depending on your climate conditions, you must apply some type of protection (sealant) to the wood of your unit. Prior to the application of sealant, lightly sand any “rough” spots on your set. Please note this is a requirement of your warranty.
- Creating and maintaining the play set on a level location is very important. As your children play, your play set will slowly dig its way into the soil, and it is very important that it settles evenly. Make sure the play set is level and true once each year or at the beginning of each play season.
- Twice a month during the usage season rake the playground protective surfacing materials to prevent compaction and maintain appropriate depths. Replace the protective surfacing materials as required.
- Disposal Instructions: When the play set is no longer desired, it should be disassembled and disposed of in such away that no unreasonable hazards will exist at the time the play set is discarded.

Play Set Surfacing Recommendations:

Below are some of the recommendations that the U.S. Consumer Product Safety Commission (CPSC) offers from its Handbook for Public Playground Safety. The guide can be downloaded in full at www.cpsc.gov/cpscpub/pubs/325.pdf

1. Protective Surfacing - Since almost 60% of all injuries are caused by falls to the ground, protective surfacing under and around all playground equipment is the most critical safety factor on playgrounds.

Certain manufactured synthetic surfaces also are acceptable; however, test data on shock absorbing performance should be requested from the manufacturer.

Asphalt and concrete are unacceptable. They do not have any shock absorbing properties. Similarly, grass and turf should not be used. Their ability to absorb shock during a fall can be reduced considerably through wear and environmental conditions.

Certain loose-fill surfacing materials are acceptable. Surfacing materials are acceptable, such as the types and depths shown in the table.

Fall Heights and Materials

| Type Of Material | 6 in. depth | 9 in. depth | 12 in. depth |
|----------------------------|--------------------|-----------------|-----------------|
| Double-Shredded bark mulch | 6' Fall Height | 10' Fall Height | 11' Fall Height |
| Wood Chips | 6' Fall Height | 7' Fall Height | 12' Fall Height |
| Fine Sand | 5' Fall Height | 5' Fall Height | 9' Fall Height |
| Shredded Tires* | 10-12' Fall Height | N/A | N/A |
| Fine Gravel | 6' Fall Height | 7' Fall Height | 10' Fall Height |

*This data is from tests conducted by independent testing laboratories on a 6-inch depth of uncompressed shredded tire samples produced by four manufacturers. The tests reported critical heights, which varied from 10 feet to greater than 12 feet. It is recommended that persons seeking to install shredded tires as a protective surface request test data from the supplier showing the critical height of the material when it was tested in accordance with ASTM F1292.

It should be recognized that all injuries due to falls cannot be prevented no matter what surfacing material is used.

2. Fall Zones - A fall zone, covered with a protective surfacing material, is essential under and around equipment where a child might fall. This area should be free of other equipment and obstacles onto which a child might fall. Stationary climbing equipment and slides should have a fall zone extending a Minimum of 6' in all directions from the perimeter of the equipment.

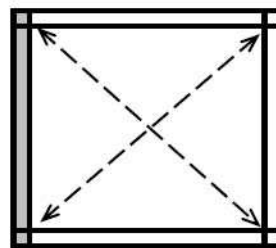
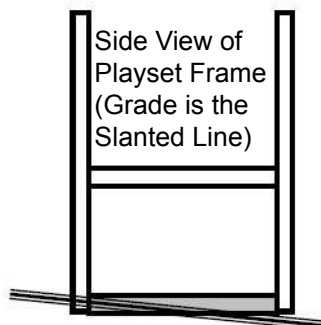
Swings should have a fall zone extending a minimum of 6' from the outer edge of the support structure on each side. The fall zone in front and back of the swing should extend out a minimum distance of twice the height of the swing as measured from the ground to the top of the swing support structure.

LEVELING YOUR FORT DURING ASSEMBLY

- Complete the steps which will be the basic frame of the fort. {i.e. four corner posts with base (sand box boards) and deck supports}
- Position in the most level area chosen for the play set, keeping in mind the location and size of the swing beam, ladder, slides, etc. that extend off the fort.
- Once the frame is in the final position, check for vertical and horizontal levelness to determine which side(s) will need to be dug into the ground to level the play set.
- With a shovel, score the ground around the outside edges of the sandbox boards on the 'high' side of the fort. This is the area that will be dug in. Make sure to score deep enough; the scored lines will be your digging template.
- Push the frame off and away from the scored area, far enough to dig and remove dirt to reach the appropriate depth.
- Dig a channel along the scored line(s) for the base of the fort (corner post and sandbox boards) to rest into. Dig the channel(s) to the same level depth. The bottom of the channel(s) should be level to each other so your frame doesn't teeter or rock because the channel(s) are uneven.
- Once you have removed enough grass and dirt, slide/push the frame into the channel(s). Place a level on the vertical and horizontal boards of the frame to determine if enough soil, or too much, was removed.
- Repeat this process until the basic frame is plumb and level and in its final position before completing the rest of the assembly.
- Measure to make sure fort is square.

Important: if you require a channel depth of more than 6", then we recommend you have your play set area professionally graded before completing assembly.

Example Play area:



The diagonal measurements should be the same from corner post to corner post. If not, adjust corner posts so that the distance is equal.

■ = Area to be scored and channeled for levelness

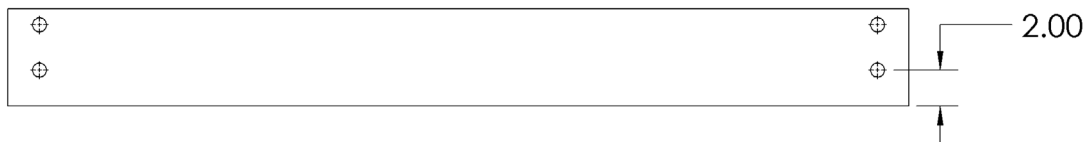
General Info to Review Before Installation

- Depending on your experience, assembly of the playset can take as little as 6 hours up to 24 hours, depending on size, after inventory of parts; therefore, we recommend you set aside a full two days for assembly.
- Identify all of the parts for your play set. Empty each box and lay out boards so you can see each part. Your instruction book will have detailed drawings that will make it easy for you to recognize individual parts. Keep all hardware and metal parts separate from wooden pieces.
- After everything is laid out, check carefully to ensure all parts are present. Make sure there are no broken boards.
- Find an area to sort your hardware. It is best to open the hardware on a solid surface so that you do not lose any pieces in the grass. This will save time and familiarize you with all the different pieces in the hardware bag.
- Important note: Wood has some natural defects such as knots, surface cracks, etc... We reject parts that are structurally defective. We use a high quality lumber in our structures; however, you should inspect each part for splinters or rough spots and sand them smooth to prevent injury.
- After familiarizing yourself with all of the components, read all instructions thoroughly. Reading instructions after you have studied the parts will help you understand the installation process, and help to eliminate unnecessary mistakes.
- Pay close attention to the diameter and length of each bolt and screw.
- Never tighten hardware completely at first. It helps to have some adjustment for bolt alignment while you are attaching parts together. After everything is square, tighten each joint.
- After the main unit is assembled it is critical that the floor is level and square. If the main frame is not level, the walls and floor will be out of square.
- After you complete installation, make sure every bolt, screw, and nut is tight, and every board is secure. Wood will expand and contract with the seasons.
- Place the set on level ground, not less than 6 feet from any structure or obstruction such as a fence, garage, house, overhanging branches, laundry lines, or electrical wires.

This page is a list of definitions and explanations used throughout our instructions to aid you in the assembly of your play set.

Offset Holes- Throughout the installation procedures we will refer to parts with offset holes. This refers to the orientation of the holes on the board. An offset hole is one that is closer to one side than it is the other or in other words, it is not centered on the board. In the procedures you will be instructed to attach the boards with the holes offset up or with the holes offset down. This refers to which side of the board the hole/holes should be closer to. Offset holes up= hole/holes will be closer to the top of the board. Offset holes down= hole/holes will be closer to the bottom of the board. Note: some parts do not have offset holes, but instead the holes are on center. Therefore there will not be any reference on how to offset these parts.

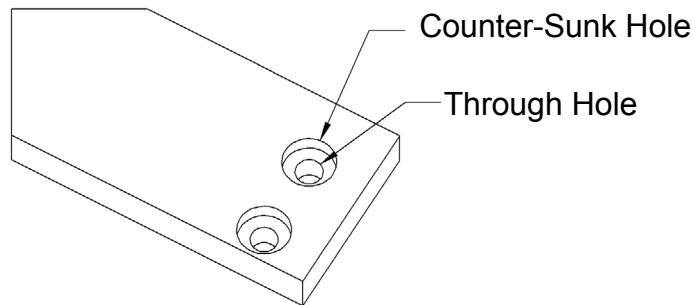
EXAMPLE OF OFFSET HOLES UP



EXAMPLE OF OFFSET HOLES DOWN



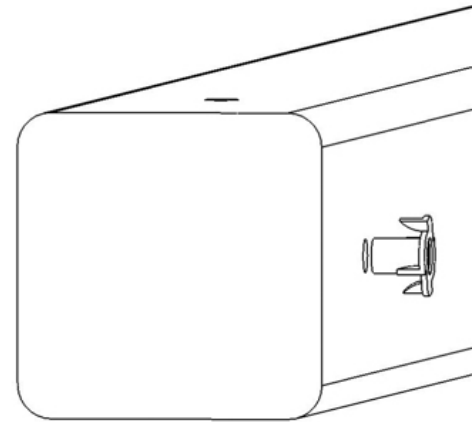
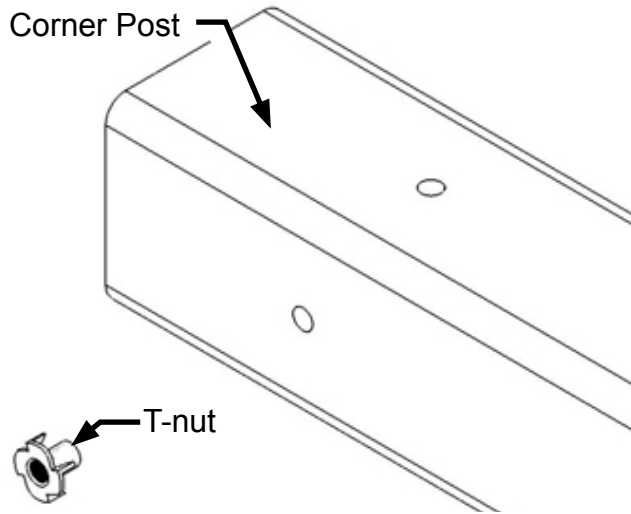
Counter-sunk holes - Many of the parts that will be used have counter-sunk holes. A counter-sunk hole is one that surrounds one side of a through hole, but does not extend through the wood it's self. When using a counter-sunk hole the bolt will be inserted through the through hole and either the head of the bolt and washer or nut and washer will occupy the counter sunk hole.



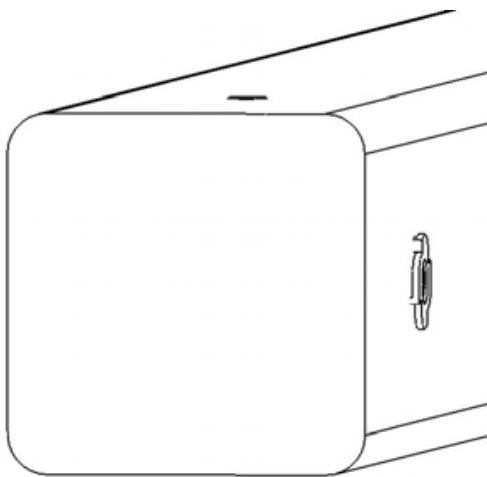
Lag Screws- Lag screws are used in the construction of our play sets to enhance the structural integrity of the unit. There will not be predrilled holes in the post for lag screw installation. Lag screws are self-tapping, though if you are using a manual socket wrench it may be advantageous to pre-drill a hole first. Instructions for this are provided on a separate page in the front of the manual. Be sure to tighten the lags completely when driving them in by hand. Power tools such as a heavy duty impact driver or large power drill should have enough torque to drive in the lag screws, but make sure not to over tighten as this can cause the threads to “strip out” in the post.

Common Installation Practice Installing T-nuts

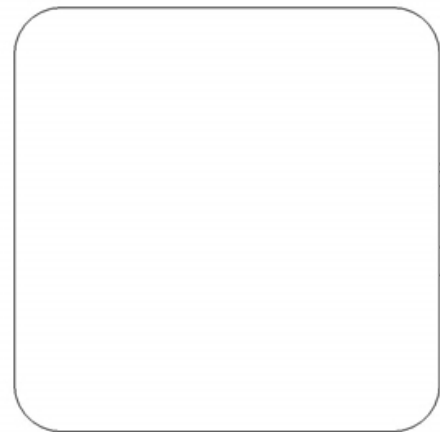
When installing T-nuts into the wood, use a smooth faced hammer to set the face of the T-nut flush into the wood.



Insert the barrel of the T-nut into the predrilled hole. Using a smooth faced hammer, drive the T-nut until the face of the T-nut is flush to the wood.

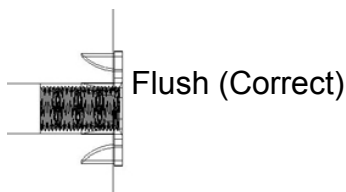


This picture shows the T-nut inserted and installed flush to the wood.



This picture shows an end view of the T-nut installed flush to the wood.

WARNING: DO NOT EMBED THE TOP OF THE T-NUT INTO THE FACE OF THE WOOD



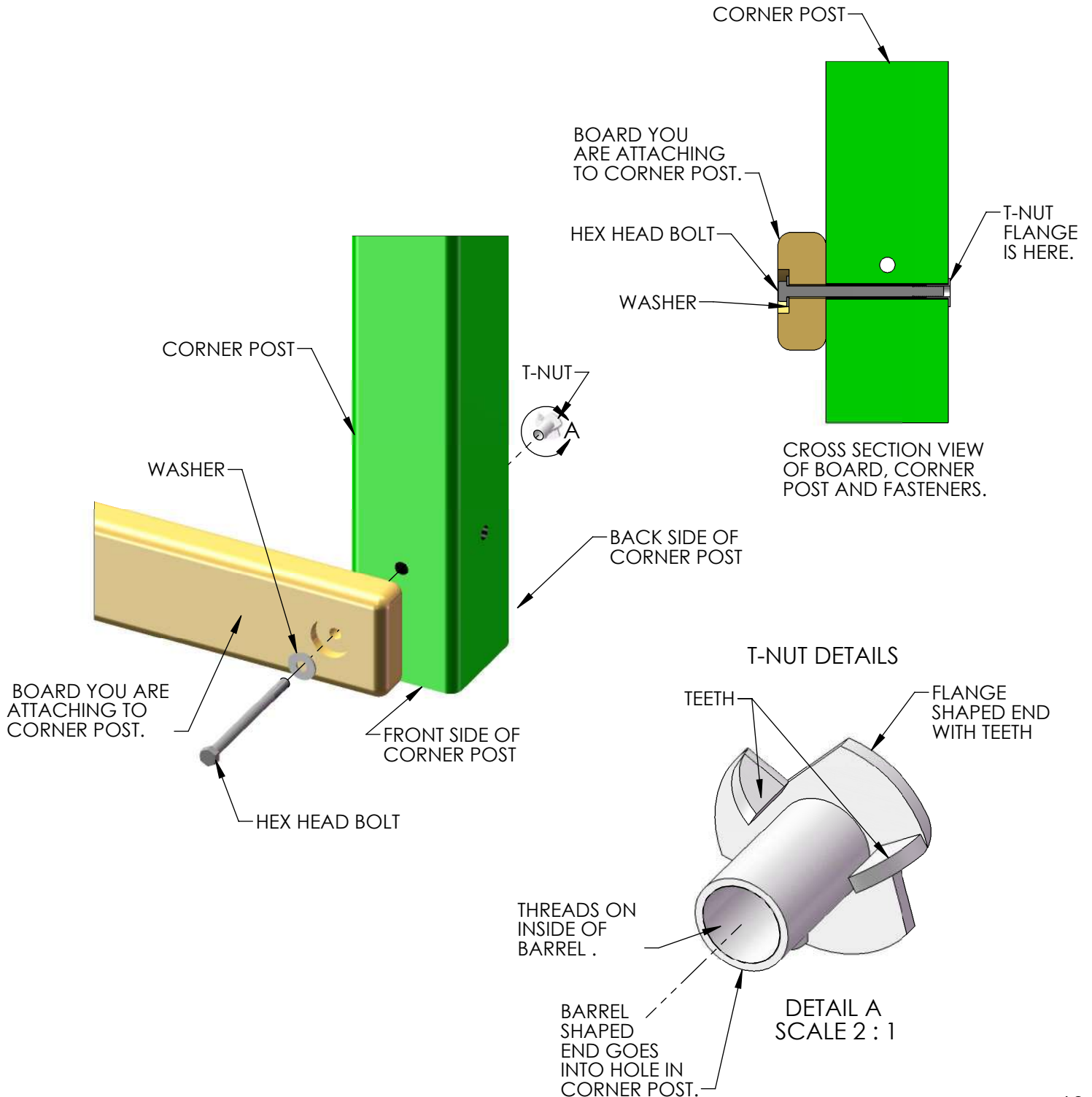
Cross Section end view, you are looking at an X-ray view of the post and T-nut. The barrel of the T-nut is in the corner post the line is the face of the wood.

HOW A T-NUT WORKS

THE FIRST STEP IN OUR ASSEMBLY INSTRUCTIONS IS TO INSERT T-NUTS INTO THE CORNER POSTS. A T-NUT IS A FASTENER WHICH IS THREADED ON THE INSIDE AND IT FUNCTIONS JUST LIKE A STANDARD HEX NUT. YOU INSERT THE T-NUTS INTO THE PREDRILLED HOLES IN THE CORNER POSTS.

THE T-NUT HAS A BARREL SHAPED END WHICH GOES INTO THE HOLE IN THE CORNER POST. THE T-NUT ALSO HAS AN FLANGE SHAPED END WITH TEETH. THE TEETH PENETRATE INTO THE CORNER POST WOOD TO PREVENT THE T-NUT FROM SPINNING WHEN YOU TIGHTEN THE HEX HEAD BOLT.

SHOWN BELOW YOU WILL SEE THE T-NUT IS HAMMERED INTO THE CORNER POST ON THE BACK SIDE. THE BOARD IS BEING ATTACHED ON THE FRONT SIDE OF THE CORNER POST.

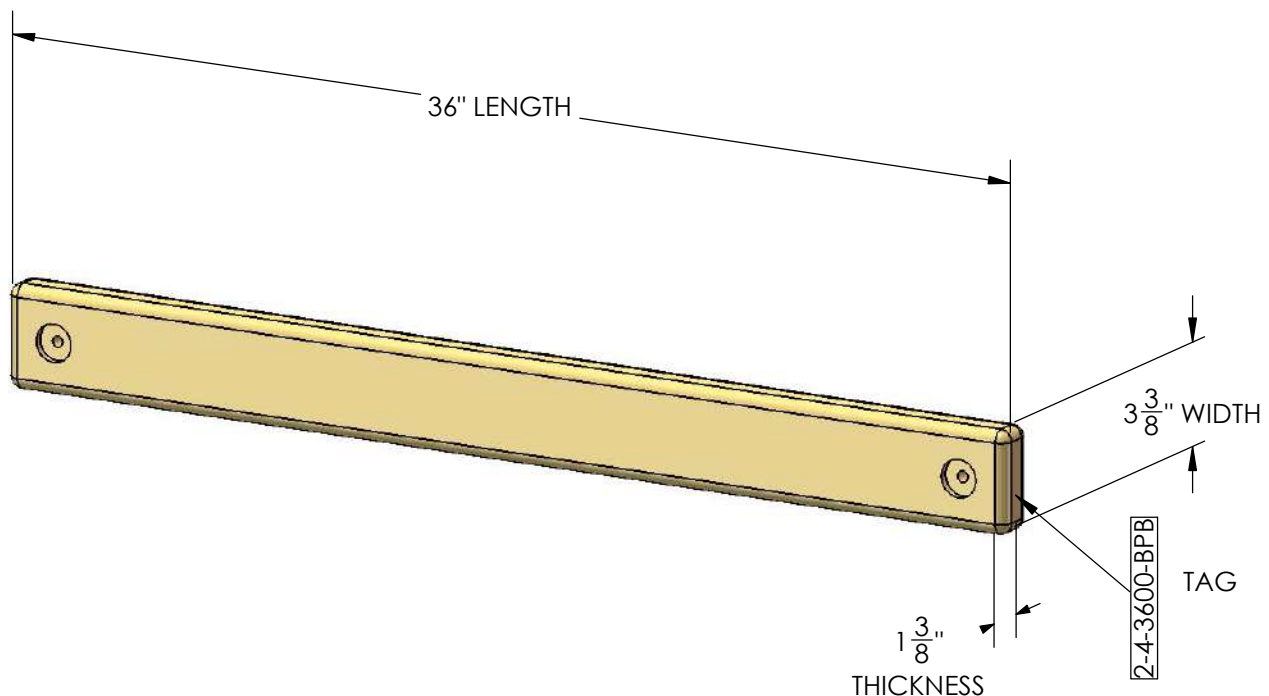


BOARD IDENTIFICATION

1. On the end of each board there should be a small white tag that is stapled or stuck into place. Remove the staples and/or tag after the board is installed.
2. This white identification tag displays the thickness, width, length and an abbreviated description of the part.

Example: a tag reads "2-4-3600-BPB"

- The 2 is the thickness of the board. "Nominal Lumber" at a home center will measure 1-1/2" for the thickness. We "remill" that lumber to 1-3/8" thick.
- The 4 is the width of the board. "Nominal Lumber" at a home center will measure 3-1/2" for the width. We "remill" that lumber to 3-3/8" wide.
Note: sometimes the width will be smaller than 3-3/8" because:
A) We need the width of the part to fit into a certain area of the play set.
B) We need the designation to be simple.
- The 3600 is the length of the board. It means the board is 36 inches long. If the code were 3625 then the board is 36-1/4" in length.
- The "BPB" abbreviation stands for "Bottom Panel Board". The wood part bill of materials in the instructions has a description which will match the abbreviation closely.
- In the event that there is no tag on a wood part measure the part then:
A) Use the measurements and compare them to the wood list at the front of the instructions to identify it.
B) Look at the holes on the wood part and compare them to the pictures in the wood list.
C) Look to see if the holes are centered or if they are offset up or offset down.
This should help you identify any parts that have missing tags. In the event that you cannot identify a board please email us for assistance.



PRE-DRILL LAG SCREW DIRECTIONS

Pre-drilling holes for lag screws will make it easier to drive the screws in by hand. "Jobber" length drill bits are available in sizes that are longer than standard drill bits and those are ideal for the job. When using the drill bit you will have to "spot" drill the post and then remove the board you are attaching to finish drilling the hole.

Pay attention to the *DIAMETER* of the lag screw you are installing. Your playset may come with two different diameter lag screws. Each diameter will require a different size drill bit. When installing lag screws **DO NOT OVERTIGHTEN.**

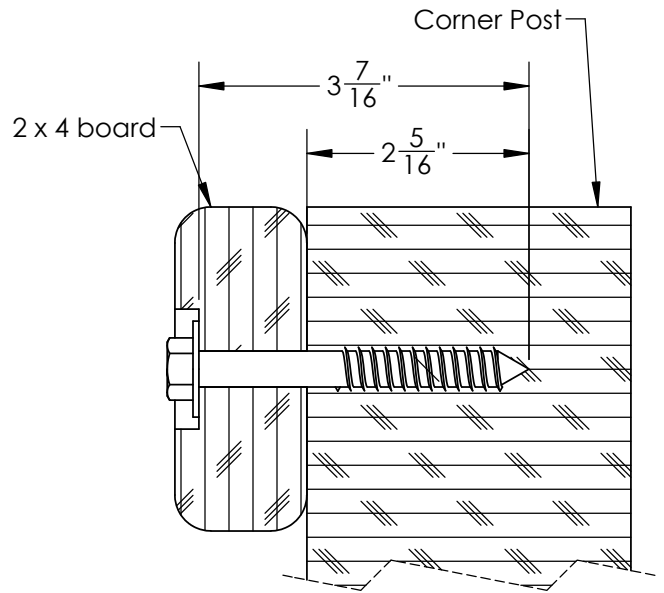
| LAG SCREW DIAMETER | DRILL BIT SIZE |
|--------------------|----------------|
| 5/16" DIAMETER | 9/64" |
| 3/8" DIAMETER | 11/64" |

Example: 3/8" diameter x 3-1/2" lag screw

This would be like the 2 x 4 board installation shown below. Place the board into position. Spot Drill through the holes in the 2 x 4 board into the corner posts with an 11/64" drill bit. Remove the 2 x 4 board. Continue to drill the holes to a total depth of 2-5/16" as shown at the right. Install the 2 x 4 board.

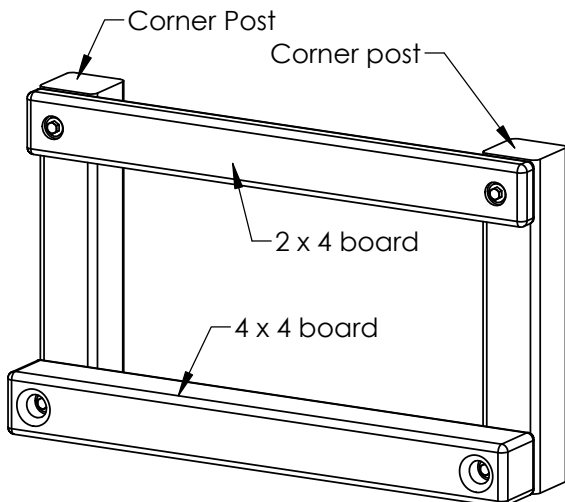
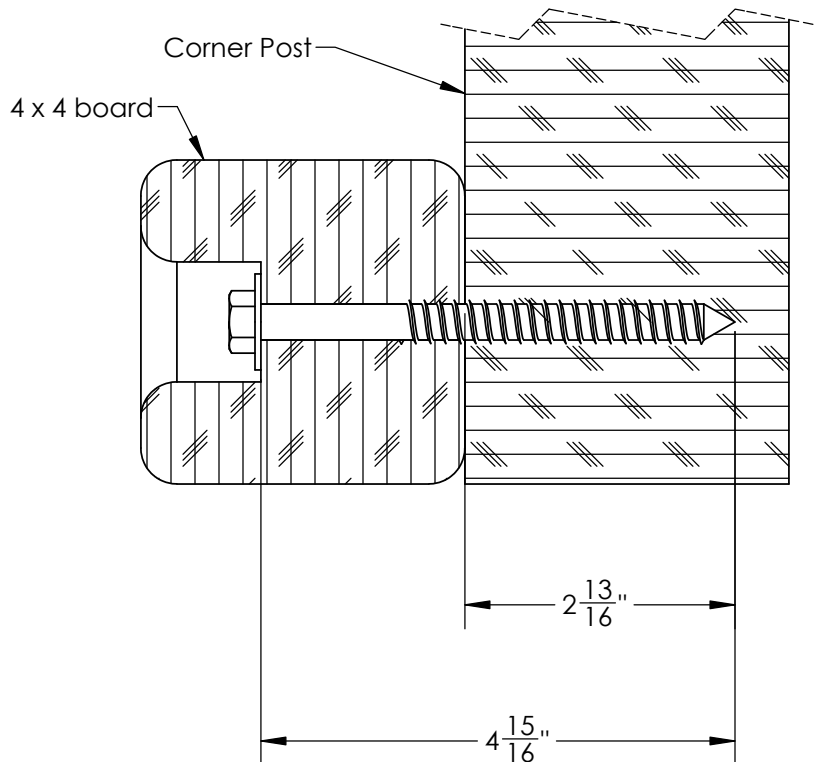
Example 5/16" diameter x 3-1/2" lag screw

This would be like the 2 x 4 board installation shown below. Place the board into position. Spot Drill through the holes in the 2 x 4 board into the corner posts with an 9/64" drill bit. Remove the 2 x 4 board. Continue to drill the holes to a total depth of 2-5/16" as shown at the right. Install the 2 x 4 board.



Example 3/8" diameter x 5" lag screw

This would be like the 4 x 4 board installation shown below. Place the board into position. Spot drill through the holes in the 4 x 4 board into the corner posts with an 11/64" drill bit. Remove the 4 x 4 board. Continue to drill the holes to a total depth of 2-13/16" as shown at the right. Install the 4 x 4 board.



SWING BEAM LOADING

Weight Limits for Accessories:

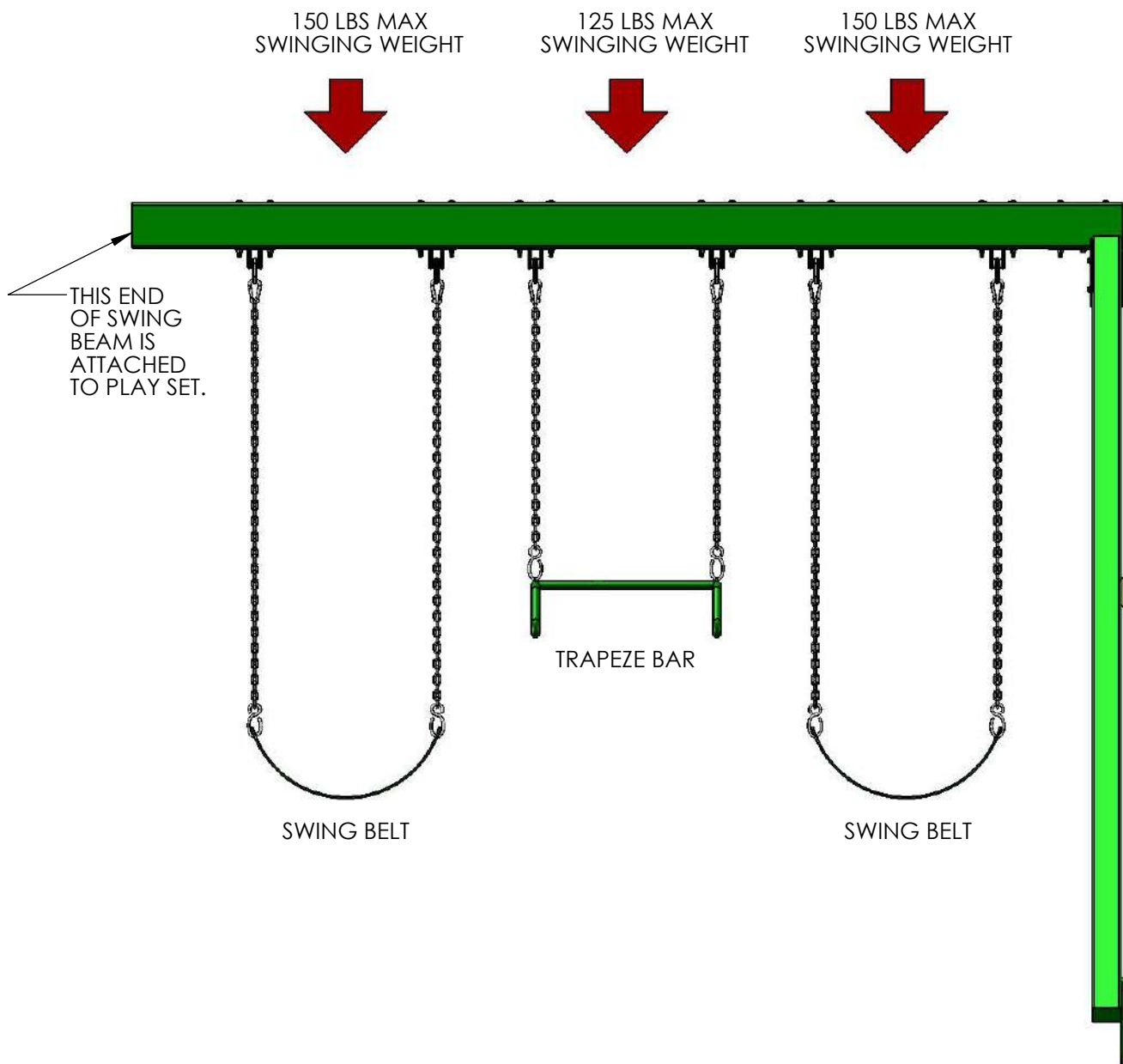
The weight limit for a Swing Belt is 225 lbs. (Although 150lbs is the maximum recommended swinging weight capacity for the swing position.)

The weight limit for a Trapeze Bar is 125 lbs.

Maximum Allowable swinging weight for a three position swing:

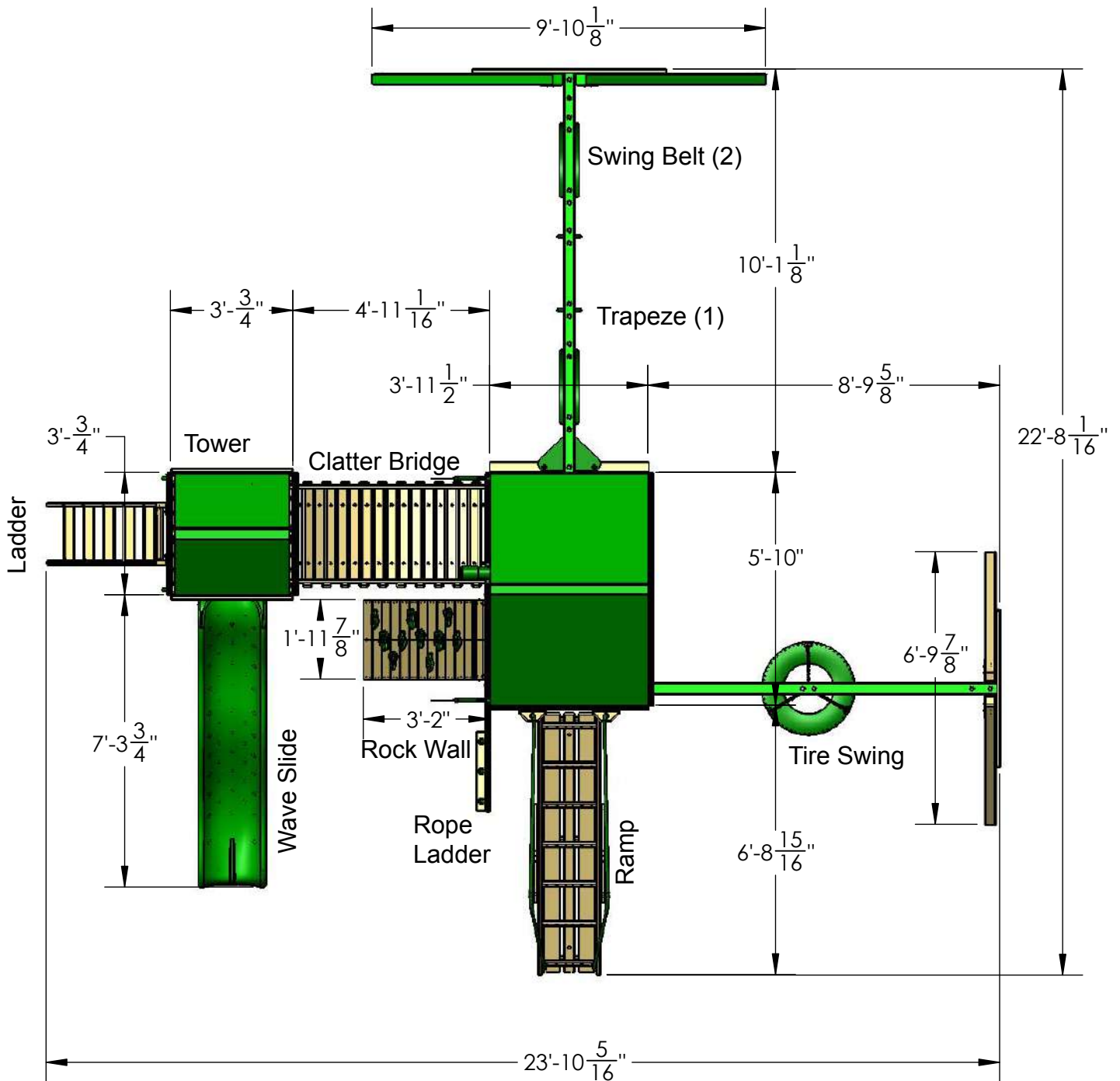
- 1) The maximum allowable swinging weight at each Swing Belt position is 150 lbs.
- 2) The maximum allowable swinging weight at the Trapeze position is 125 lbs.
- 3) The MAXIMUM SWING BEAM LOAD IS 425 lbs.

MAXIMUM SWING BEAM LOAD IS 425 LBS.



Please familiarize yourself with the manual, parts/components and general construction process of your new playset before getting started.

SITE PLAN:



Playset height: 10 feet - 11 inches

Swing Beam height: 7 feet - 7-1/2 inches

Deck height: 5 feet

Approximate assembly time: 16-20 hours

(6) foot unobstructed safety perimeter around playset recommended

REQUIRED TOOL LIST:

- ___ Standard or Cordless Drill w/ Phillips Bit (#2 square bit provided)
- ___ Drill Bits 1/8", 3/16", 3/8", 9/64", 11/64" and a 1" and 7/8" Paddle style bit.
- ___ 1/2" Wrench and Socket
- ___ 1/2" Deep Well Socket
- ___ 9/16" Deep Well Socket
- ___ 9/16" Wrench and Socket
- ___ Level
- ___ Tape Measure
- ___ Extension Cord (if using standard drill)
- ___ Hammer
- ___ Pencil
- ___ Locking Pliers (Vise Grips)
- ___ Shovel
- ___ Tape or Marker (Step 40)

KIT CONTENTS

Swings, Slides, Accessories:

- ___ (Qty) Description
- ___ (2) Swingbelt w/ Chains
- ___ (1) Trapeze Swing w/Chains
- ___ (1) Wave Slide
- ___ (10) Rock Wall Grip (assorted colors)
- ___ (1) Telescope
- ___ (1) Safety Handles (pair)
- ___ (2) Flag Kit
- ___ (1) Name Plate
- ___ (1) Ground Stakes (pair)
- ___ (1) Tic Tac Toe
- ___ (1) Steering Wheel
- ___ (1) Tire Swing w/Chains
- ___ (1) Clatter Bridge Tarp
- ___ (2) 96" Chain Sections
- ___ (1) Unit Tarp
- ___ (1) Clatter Bridge Mesh Panels 06-2004

Fort Hardware:

see following pages

Swing Beam Hardware:

see following pages

Wood Components:

see following pages



#14 X 1-1/4"
 PAN HEAD SCREW
 QTY: 4

#8 X 1"
 WOOD SCREW
 QTY: 2



#8 X 1-3/4"
 WOOD SCREW
 QTY: 4



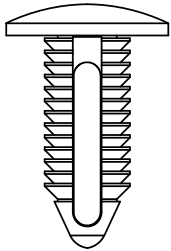
#8 X 2"
 WOOD SCREW
 QTY: 189



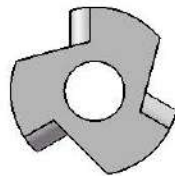
#8 X 2-1/2"
 WOOD SCREW
 QTY: 52



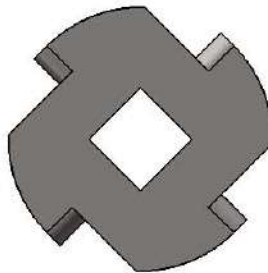
#8 X 3"
 WOOD SCREW
 QTY: 20



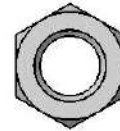
3/8" ϕ X 1-1/8"
 BLACK PLASTIC
 PLUG
 QTY: 6



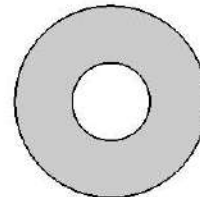
5/16" TEE NUT
 QTY: 22



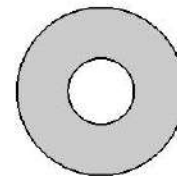
TORQUE WASHER
 QTY: 17



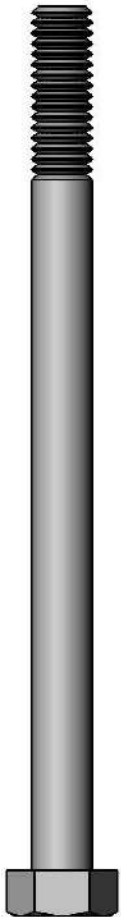
3/8" LOCK NUT
 QTY: 19



3/8" WASHER
 QTY: 31



5/16" WASHER
 QTY: 34



5/16 X 4-1/2"
 HEX BOLT
 QTY: 14



5/16 X 1-1/2"
 HEX BOLT
 QTY: 8

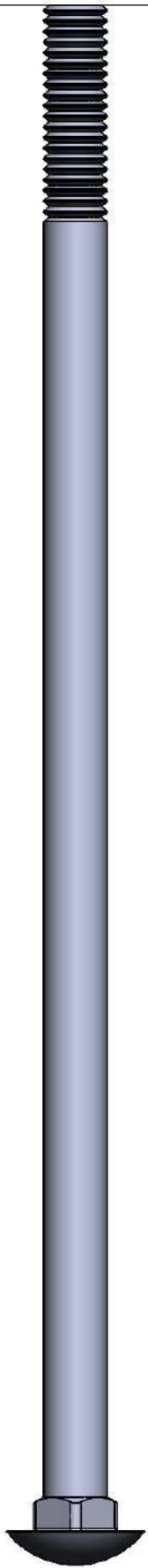


USE THE RULER TO THE RIGHT TO MEASURE YOUR BOLTS AND SCREWS. PICTURE VIEWS SHOWN ABOVE ARE 1:1 SCALE AND CAN BE USED TO MATCH BOLT AND SCREW SIZES.

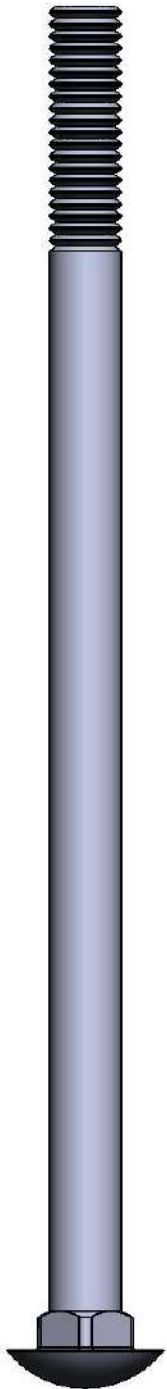
1501 HARDWARE
 PAGE: 2 OF 2
 REV A: 9/10/2014 JH

5/16" X 3-1/2"
 HEX LAG
 SCREW
 QTY: 12

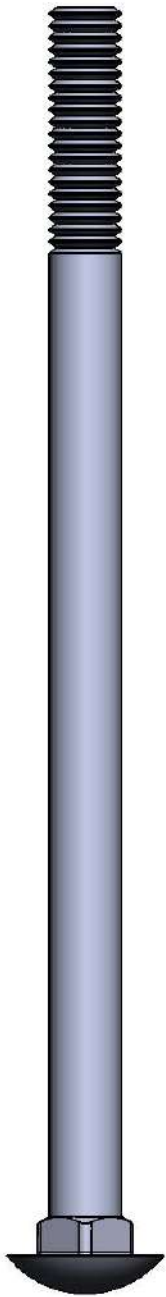
3/8 X 3-1/2"
 HEX LAG SCREW
 QTY: 12



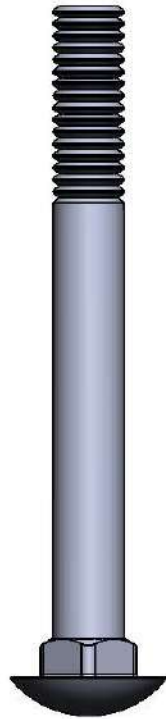
3/8 x 9"
 CARRIAGE BOLT
 QTY: 1



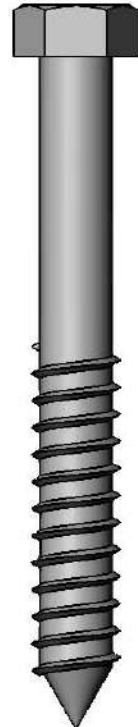
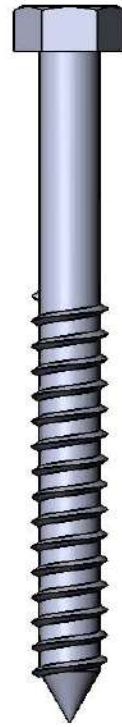
3/8 x 7"
 CARRIAGE BOLT
 QTY: 14



3/8 x 6-1/2"
 CARRIAGE BOLT
 QTY: 2



3/8 x 3-1/2"
 CARRIAGE BOLT
 QTY: 2



#2 SQUARE
 DRIVE BIT
 QTY: 1



PLASTIC
 BOLT CAP
 QTY: 19

9
8
7
6
5
4
3
2
1

USE THE RULER TO THE RIGHT TO MEASURE YOUR BOLTS AND SCREWS. PICTURE VIEWS SHOWN ABOVE ARE 1:1 SCALE AND CAN BE USED TO MATCH BOLT AND SCREW SIZES.

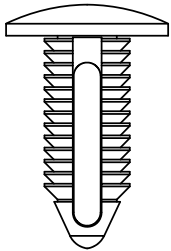


#14 X 1-1/4"
PAN HEAD SCREW
QTY: 10

#8 X 1-3/4"
WOOD SCREW
QTY: 4



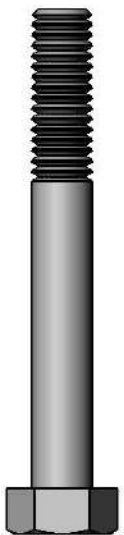
#8 X 2-1/2"
WOOD SCREW
QTY: 14



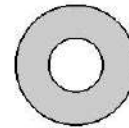
3/8" ϕ X 1-1/8"
BLACK PLASTIC
PLUG
QTY: 10



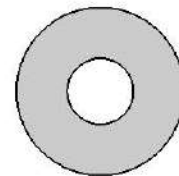
5/16" TEE NUT
QTY: 2



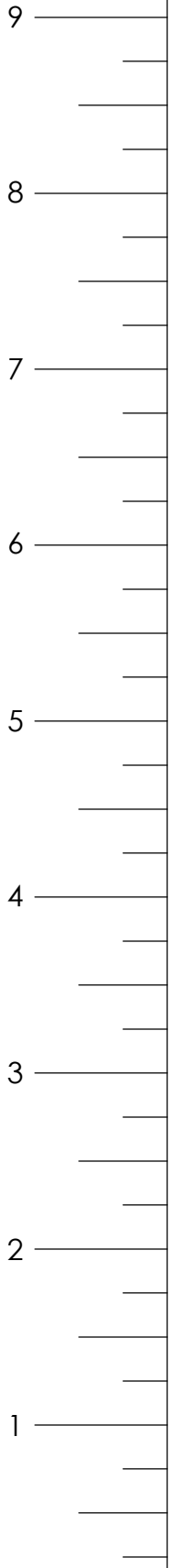
5/16 X 2-1/2"
HEX BOLT
QTY: 2



1/4" WASHER
QTY: 10



5/16" WASHER
QTY: 2



USE THE RULER TO THE RIGHT TO MEASURE YOUR BOLTS AND SCREWS. PICTURE VIEWS SHOWN ABOVE ARE 1:1 SCALE AND CAN BE USED TO MATCH BOLT AND SCREW SIZES.



#14 x 1-1/4"
 PAN HEAD SCREW
 QTY: 6

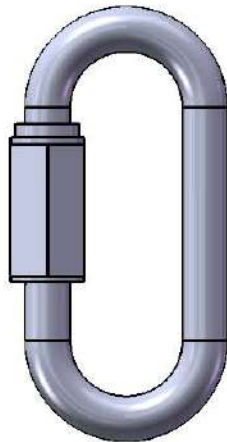
#8 X 2"
 WOOD SCREW
 QTY: 94



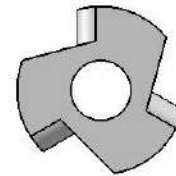
#8 X 2-1/2"
 WOOD SCREW
 QTY: 18



#8 X 3"
 WOOD SCREW
 QTY: 5



QUICK LINK
 QTY: 2



5/16" TEE NUT
 QTY: 55



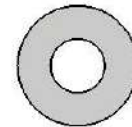
5/16" X 3-1/2"
 HEX LAG
 SCREW
 QTY: 24



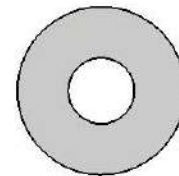
5/16 X 1-3/4"
 HEX BOLT
 QTY: 30



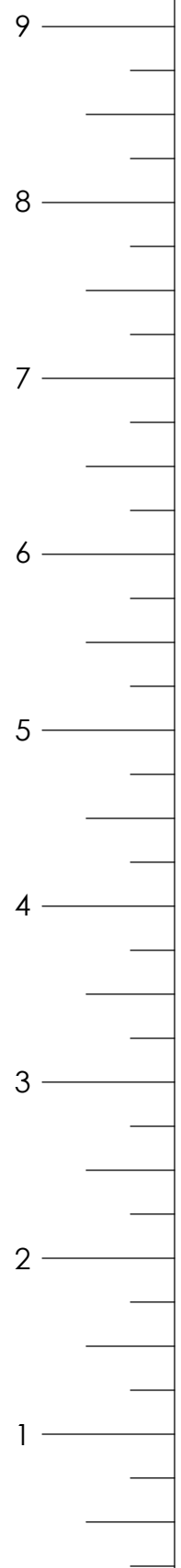
5/16 X 4-1/2"
 HEX BOLT
 QTY: 25



1/4" WASHER
 QTY: 6

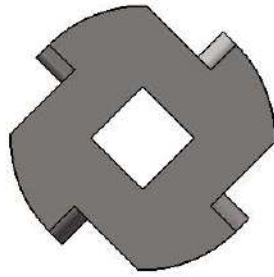
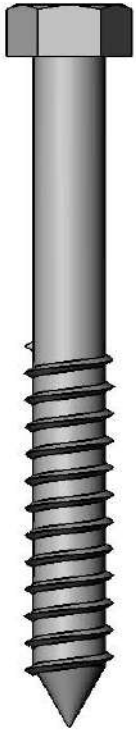


5/16" WASHER
 QTY: 109



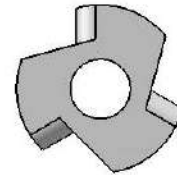
USE THE RULER TO THE RIGHT TO MEASURE YOUR BOLTS AND SCREWS. PICTURE VIEWS SHOWN ABOVE ARE 1:1 SCALE AND CAN BE USED TO MATCH BOLT AND SCREW SIZES.

3/8 X 3-1/2"
HEX LAG SCREW
QTY: 11



TORQUE WASHER
QTY: 4

T510 HARDWARE
PAGE: 1 OF 1
REV B
8/19/2014 JH



5/16" TEE NUT
QTY: 2



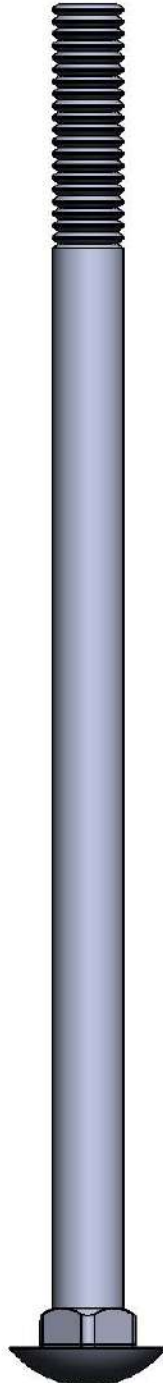
5/16" PLASTIC
BOLT CAP
QTY: 2



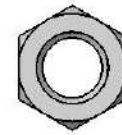
3/8" PLASTIC
BOLT CAP
QTY: 4



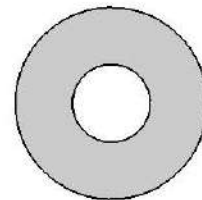
5/16 X 7"
HEX BOLT
QTY: 2



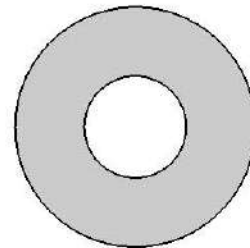
3/8 X 7"
CARRIAGE BOLT
QTY: 4



3/8" LOCK NUT
QTY: 4



3/8" WASHER
QTY: 17

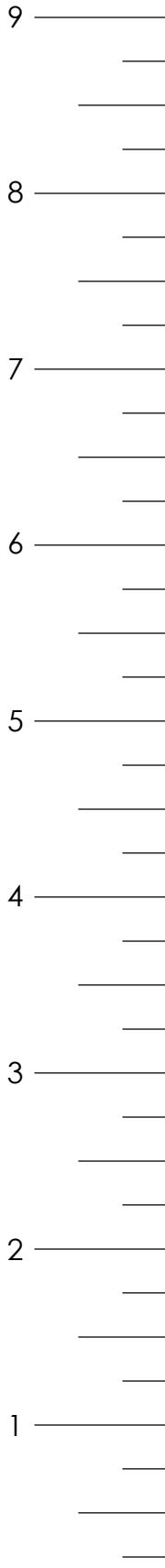


1/2" WASHER
QTY: 2



USE THE RULER TO THE RIGHT TO MEASURE YOUR BOLTS AND SCREWS. PICTURE VIEWS SHOWN ABOVE ARE 1:1 SCALE AND CAN BE USED TO MATCH BOLT AND SCREW SIZES.

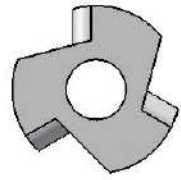
151T HARDWARE
PAGE: 1 OF 1
REV A
2/4/2013 J.H.



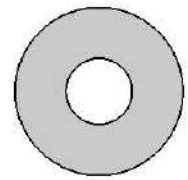
5/16" X 3-1/2"
HEX LAG
SCREW
QTY: 14



5/16 X 4-1/2"
HEX BOLT
QTY: 12



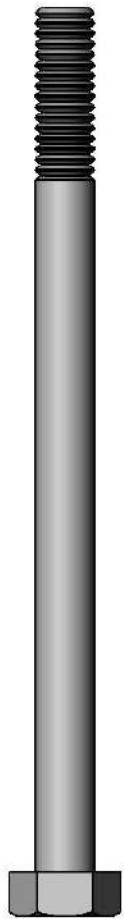
5/16" TEE NUT
QTY: 10



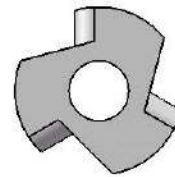
5/16" WASHER
QTY: 26

USE THE RULER TO THE RIGHT TO MEASURE YOUR BOLTS AND SCREWS. PICTURE VIEWS SHOWN ABOVE ARE 1:1 SCALE AND CAN BE USED TO MATCH BOLT AND SCREW SIZES.

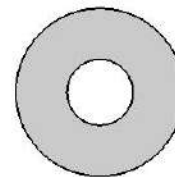
#8 X 3"
WOOD SCREW
QTY: 5



5/16 X 4-1/2"
HEX BOLT
QTY: 1



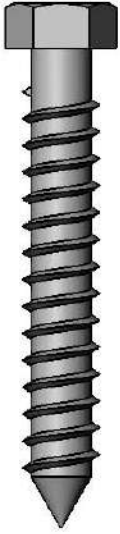
5/16" TEE NUT
QTY: 1



5/16" WASHER
QTY: 1

USE THE RULER TO THE RIGHT TO MEASURE YOUR BOLTS AND SCREWS. PICTURE VIEWS SHOWN ABOVE ARE 1:1 SCALE AND CAN BE USED TO MATCH BOLT AND SCREW SIZES.

5/16" X 2-1/2"
LAG SCREW
QTY: 4



5/16" X 2-1/2"
HEX BOLT
QTY: 6



5/16" X 1-1/2"
HEX BOLT
QTY: 4



1523 HARDWARE

PAGE 1 OF 1

9/10/2014 JH

#8 X 3-1/2"
WOOD SCREW
QTY: 4



#8 X 2-1/2"
WOOD SCREW
QTY: 124



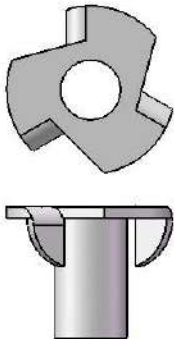
#8 X 1-1/4"
PAN HEAD SCREW
SQUARE DRIVE
QTY: 16



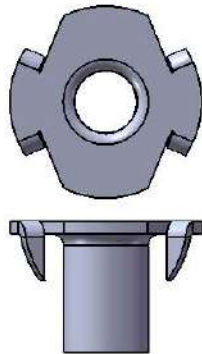
3/8"-16 X 3/4" DIA. I.D. X
2-1/2" L
EYE BOLT
QTY: 2



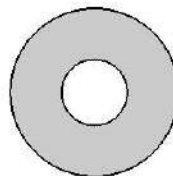
5/16"-18 x 5/8" L T-NUT
QTY: 10



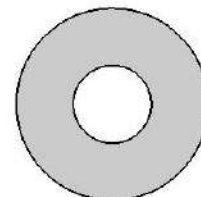
3/8"-16 x 5/8" L T-NUT
QTY: 2



5/16" WASHER
QTY: 10

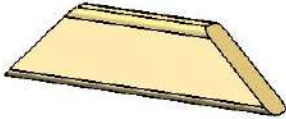
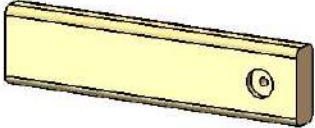
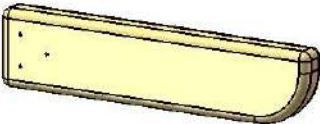
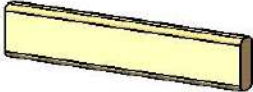
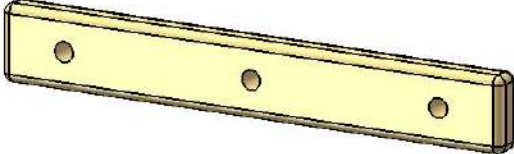
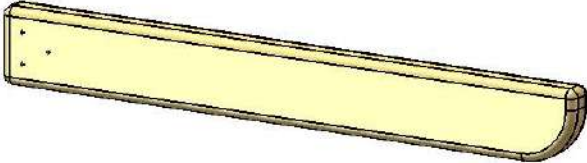


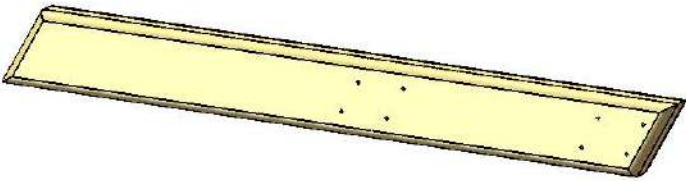
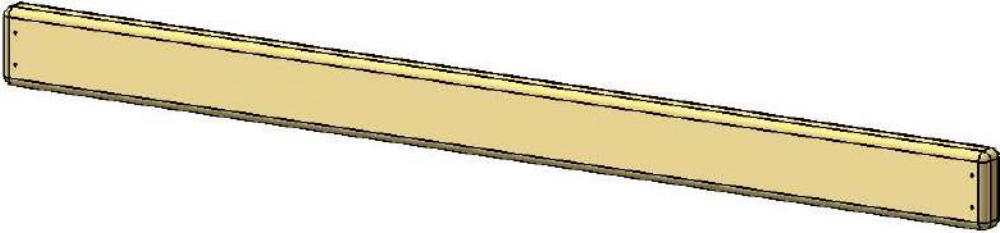
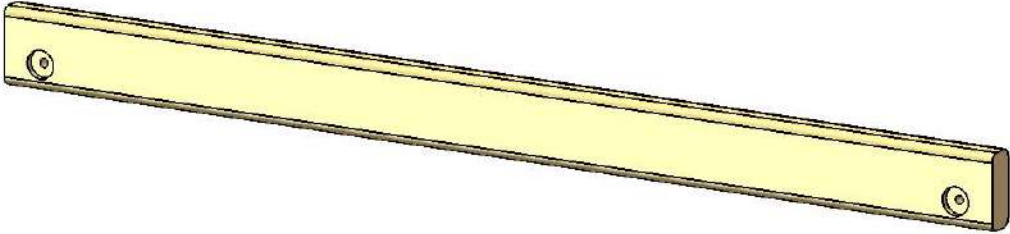
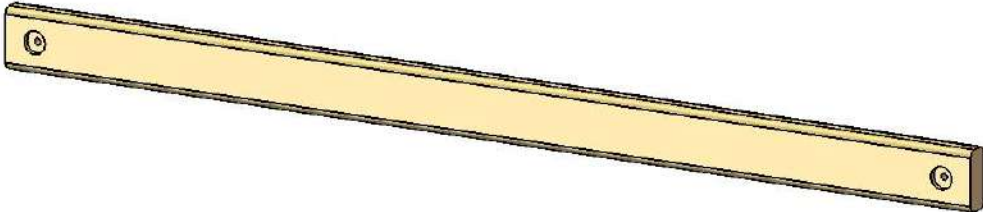
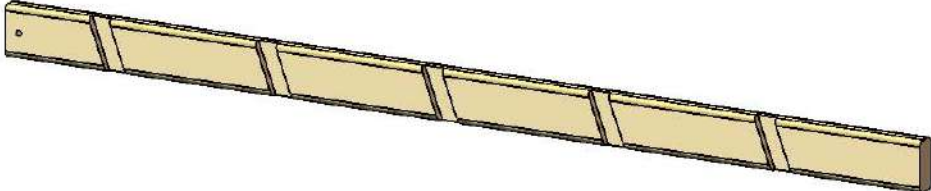
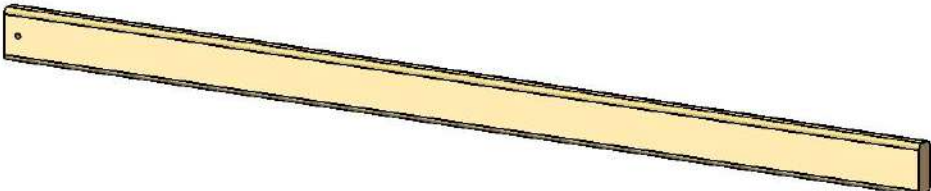
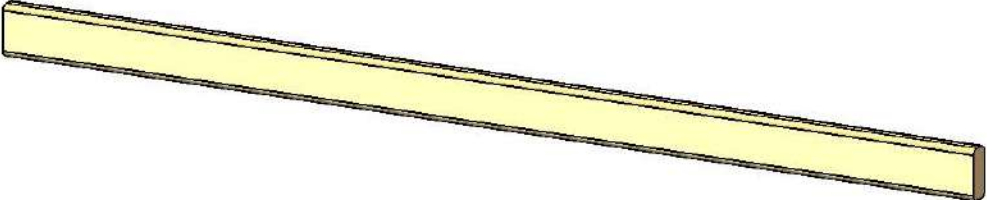
3/8" WASHER
QTY: 2

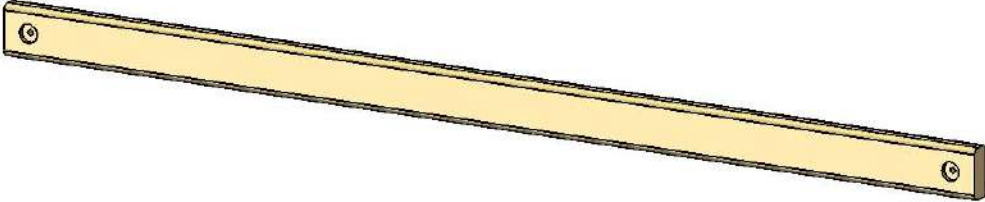
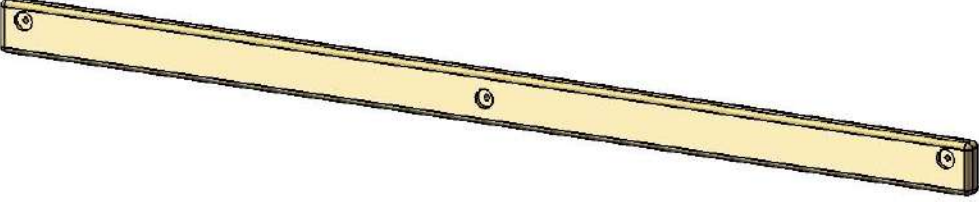
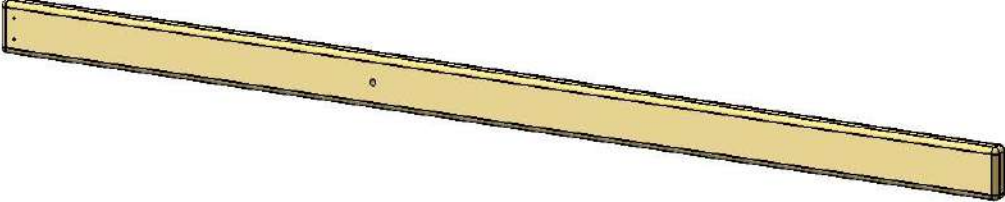
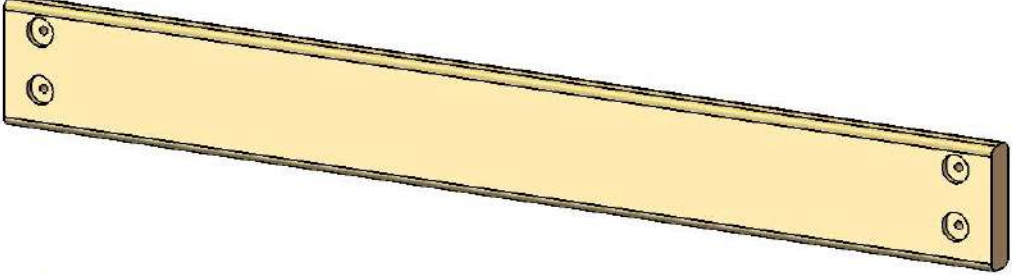
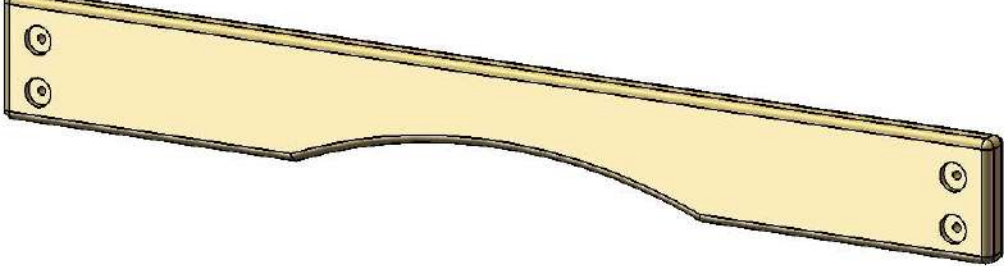
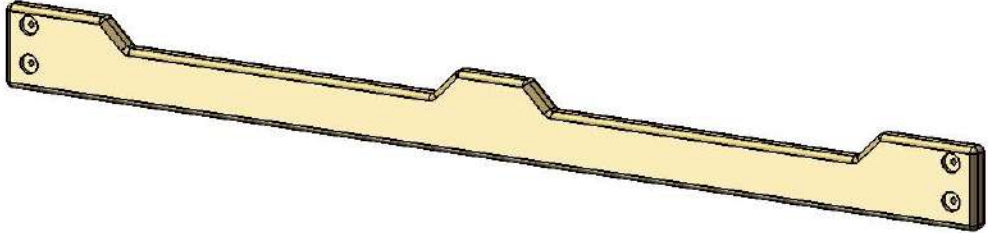
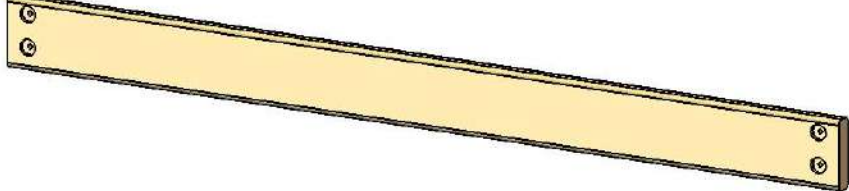


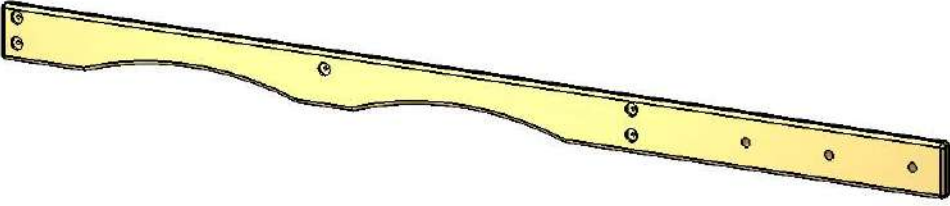
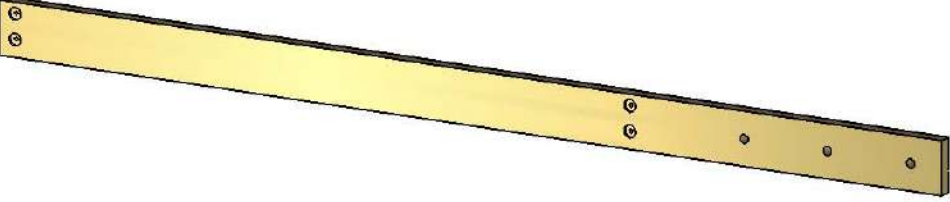
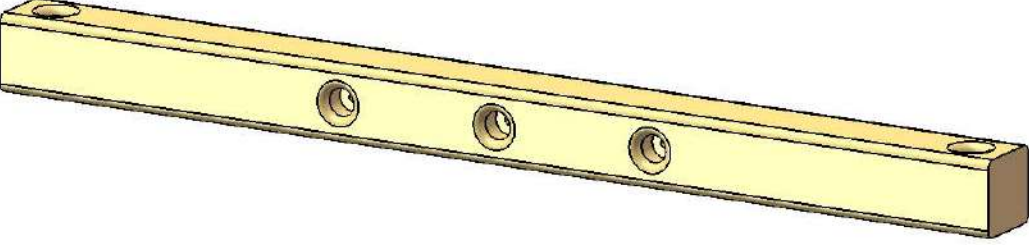
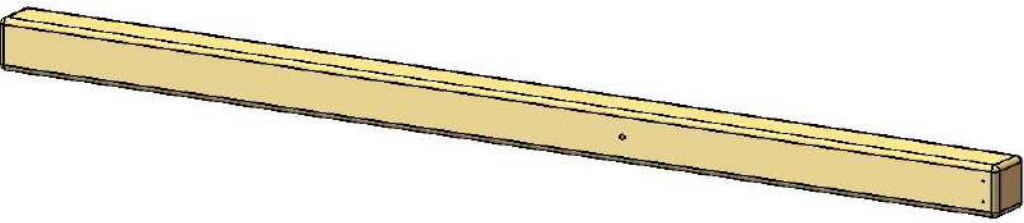
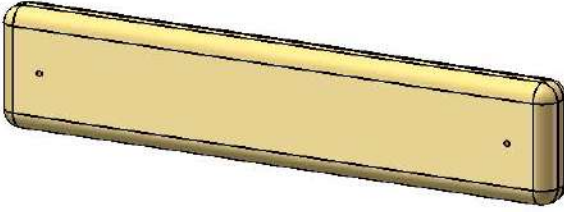
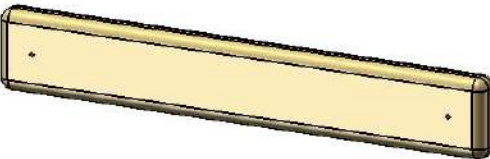
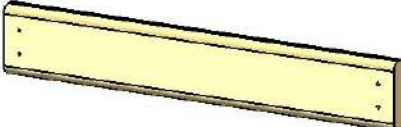
9
8
7
6
5
4
3
2
1

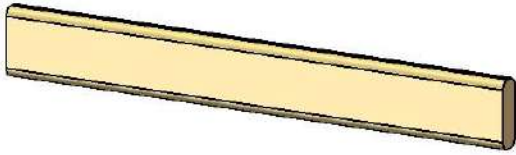
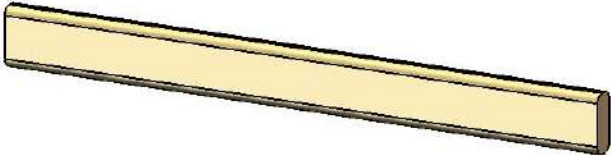
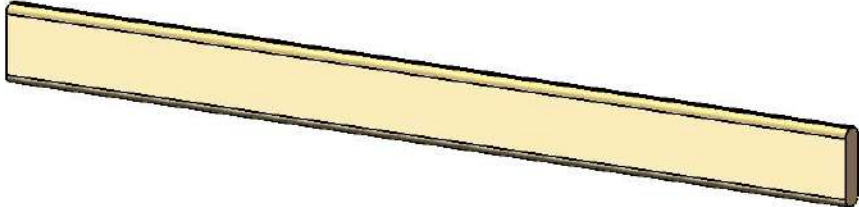
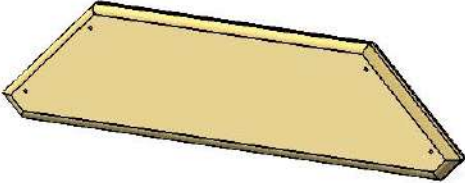
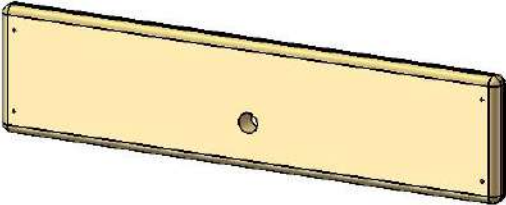
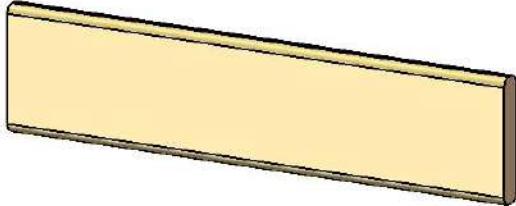
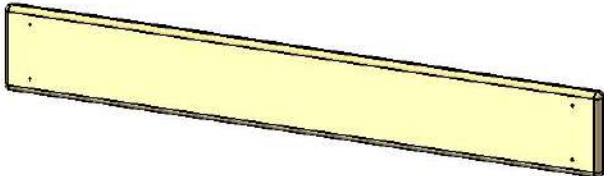
USE THE RULER TO THE RIGHT TO MEASURE YOUR BOLTS AND SCREWS. PICTURE VIEWS SHOWN ABOVE ARE 1:1 SCALE AND CAN BE USED TO MATCH BOLT AND SCREW SIZES.

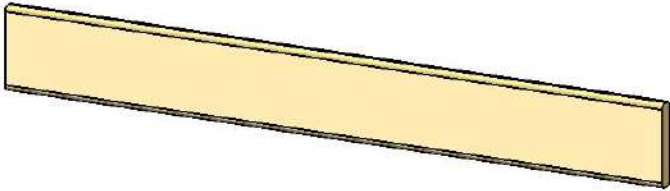
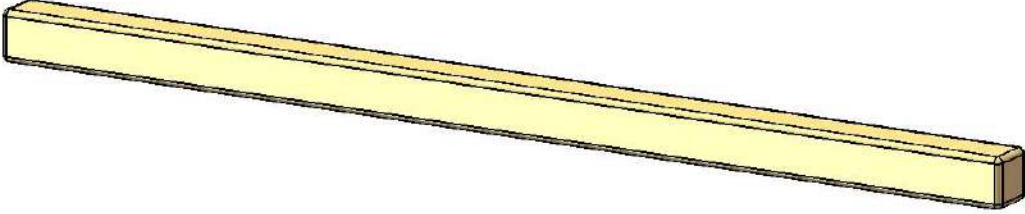
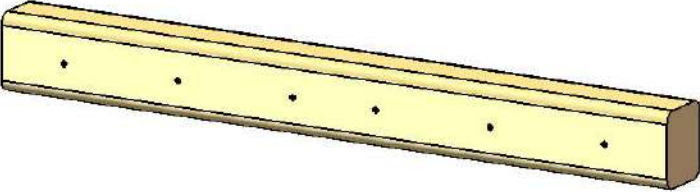
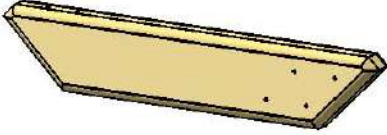
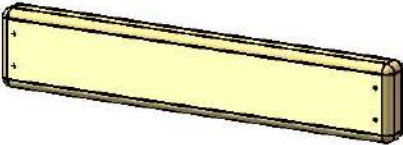
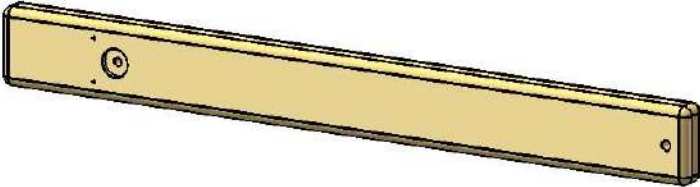
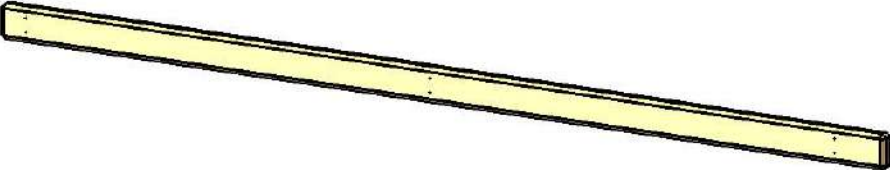
| PICTURE | DESCRIPTION | QTY. |
|---|---|-------------------|
|  | <p>2 X 4 X 13" ANGLE SUPPORT 2-4-1300-AS</p> <p>2 X 4 X 18" ANGLE SUPPORT 2-4-1800-AS</p> | <p>4</p> <p>4</p> |
|  | <p>2 X 4 X 14" BOTTOM PANEL BOARD 2-4-1400-BPB</p> | <p>2</p> |
|  | <p>2 X 4 X 14-3/4" PICNIC TABLE TOP SUPPORT 2-4-1475-PTTS</p> | <p>2</p> |
|  | <p>2 X 4 X 17" LADDER STEP 2-4-1700-LS</p> | <p>5</p> |
|  | <p>2 X 4 X 24" ROPE LADDER STEP 2-4-2400-RLST</p> | <p>6</p> |
|  | <p>2 X 4 X 27-1/2" PICNIC TABLE SEAT SUPPORT 2-4-2750-PTSS</p> | <p>2</p> |

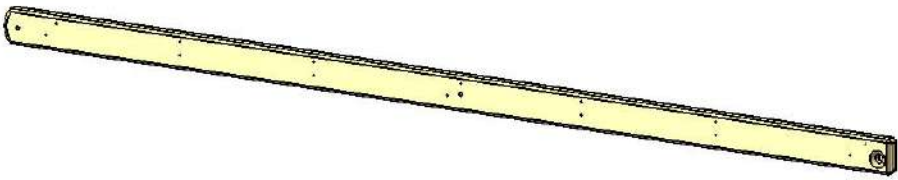
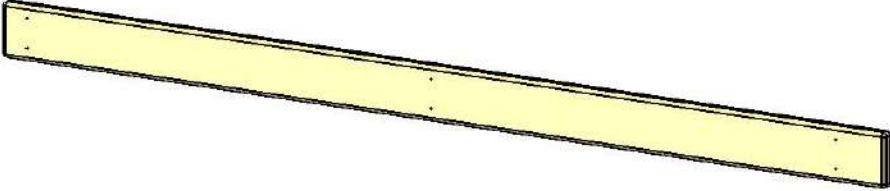
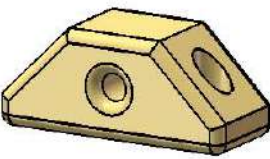
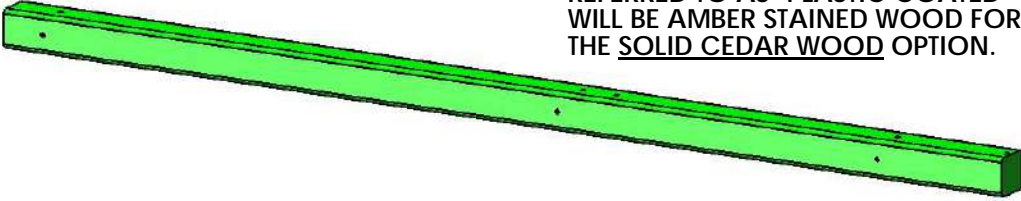
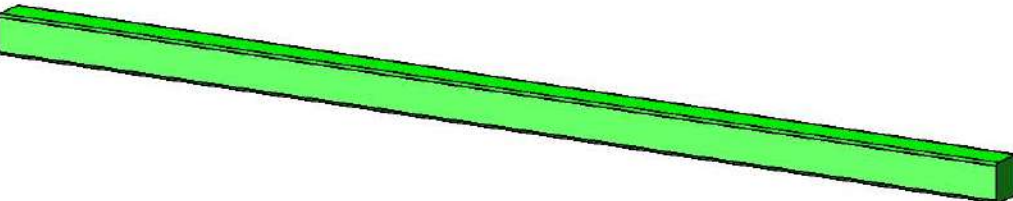
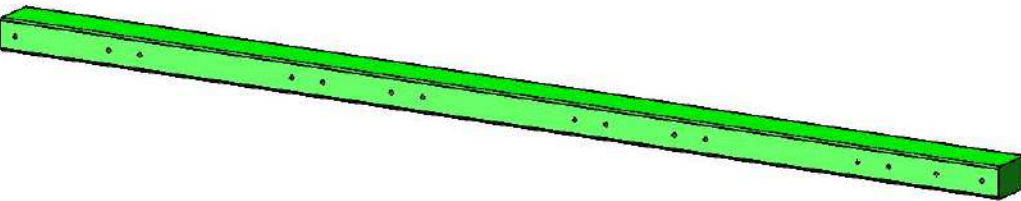
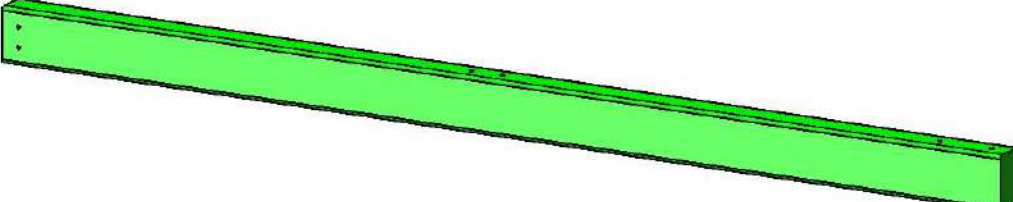
| PICTURE | DESCRIPTION | QTY. |
|--|---|-------------------|
|  | 2 X 4 X 32-1/2" PICNIC TABLE LEG 2-4-3250-PTL | 2 |
|  | 2 X 4 X 47-3/8" TARP BOARD SUPPORT 2-4-4738-TBS | 3 |
|  | 2 X 4 X 47 ¹ / ₂ " SAFETY BOARD/ END PANEL BOARD 2-4-4750-SBEP | 2 |
|  | 2 X 4 X 58" SWING BEAM CROSS MEMBER (2 HOLES ON CENTER) 2-4-5800-CM | 1 |
|  | 2 X 4 X 66" LADDER SIDE 2-4-6600-LLS 2-4-6600-LRS | 1 LEFT 1 RIGHT |
|  | 2 X 4 X 66" ROCK WALL SIDE (1 HOLE ON CENTER) 2-4-6600-RWS | 2 |
|  | 2 X 4 X 70" CENTER DECK SUPPORT 2-4-7000- CDS | 1 |

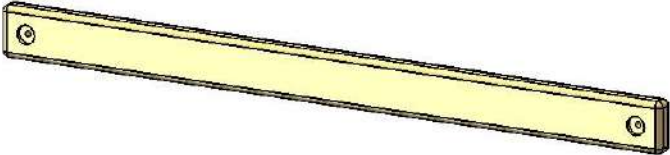
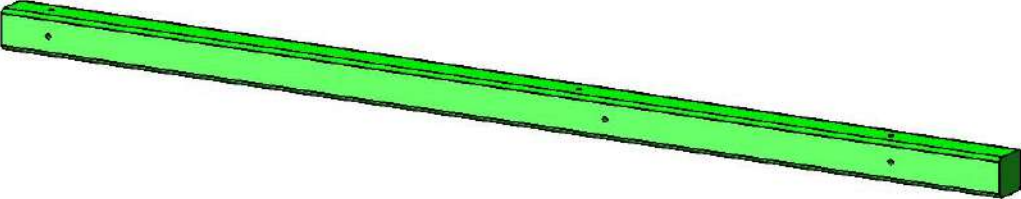
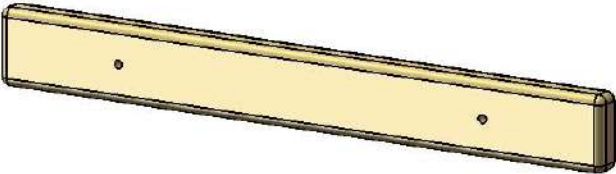
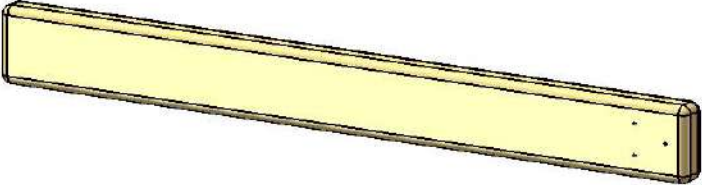
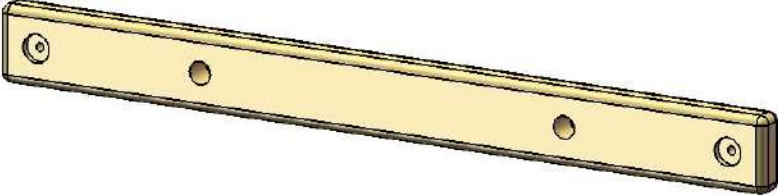
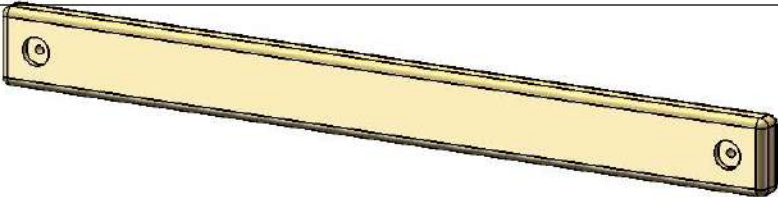
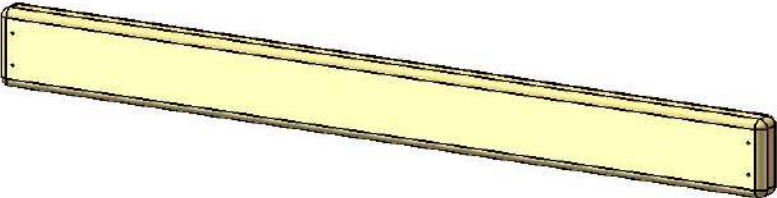
| PICTURE | DESCRIPTION | QTY. |
|---|--|------|
|  | 2 X 4 X 70" DECK SUPPORT (2 HOLES ON CENTER) 2-4-7000-DS | 2 |
|  | 2 X 4 X 70" REAR TOP PANEL BOARD (2 HOLES OFFSET/ 1 CENTERED) 2-4-7000-RTPB | 1 |
|  | 2 X 4 X 71-7/8" CENTER TARP SUPPORT 2-4-7186-CTS | 2 |
|  | 2 X 6 X 47 ¹ / ₂ " BOTTOM PANEL AND SANDBOX BOARD (4 HOLES OFFSET) 2-6-4750-ESPB | 4 |
|  | 2 X 6 X 47-1/2" TOP PANEL BOARD 2-6-4750-TPB | 1 |
|  | 2 X 6 X 70" FRONT FACE BOARD (4 HOLES OFFSET) 2-6-7000-FFB | 1 |
|  | 2 X 6 X 70" BOTTOM PANEL/ SANDBOX BOARD (4 HOLES OFFSET) 2-6-7000-SB | 2 |

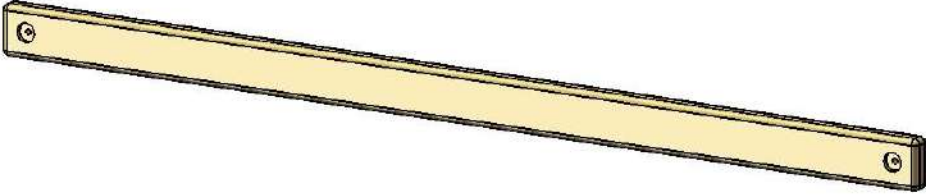
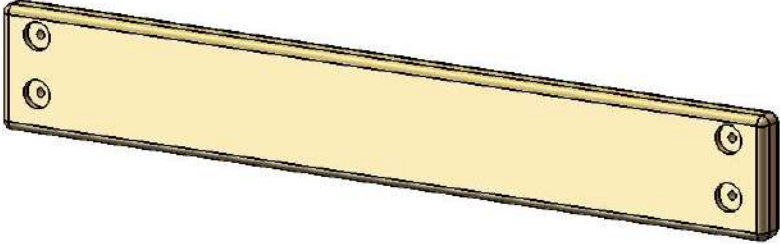
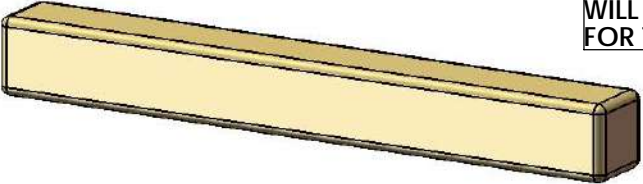
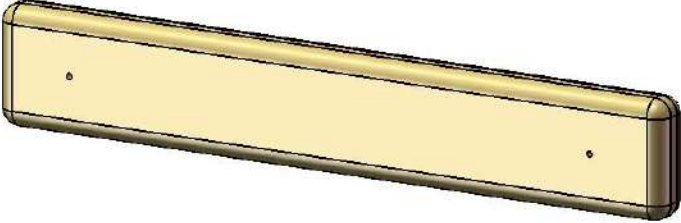
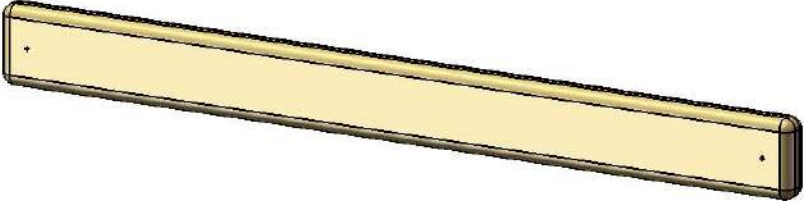
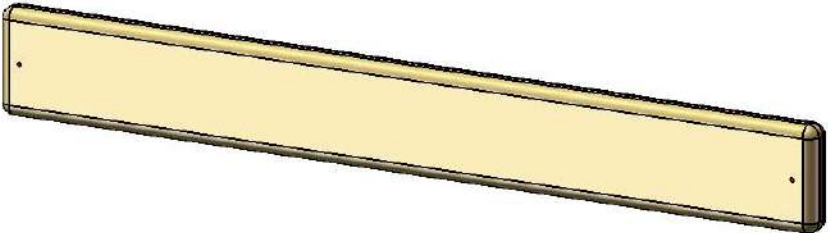
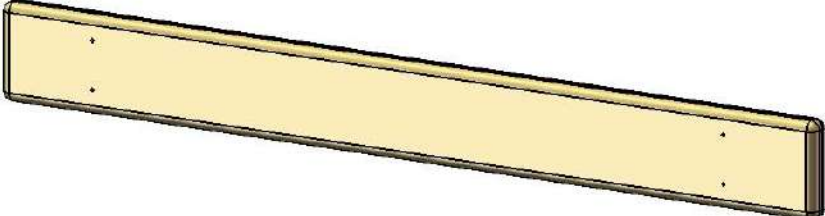
| PICTURE | DESCRIPTION | QTY. |
|---|--|------|
|  | 2 X 6 X 102" ROPE LADDER SUPPORT - FRONT RIGHT 2-6-10200-RLSFR | 1 |
|  | 2 X 6 X 102" ROPE LADDER RUNNER - FRONT RIGHT 2-6-10200-RLRFR | 1 |
|  | 4 X 4 X 47-1/2" SWING BEAM MOUNT 4-4-4750-SBM | 1 |
|  | 4 X 4 X 72" CENTER TARP SUPPORT 4-4-7200-CTS | 1 |
|  | $\frac{5}{4}$ X $2\frac{5}{8}$ X $13\frac{1}{4}$ " PICNIC TABLE SLAT 125-3-1325-PTS | 2 |
|  | $\frac{5}{4}$ X $2\frac{5}{8}$ X $17\frac{1}{2}$ " TIC TAC TOE MOUNT 125-3-1750-TTMM | 2 |
|  | 5/4 X 3 X 18-3/4" LADDER BACK 125-3-1875-LB | 1 |

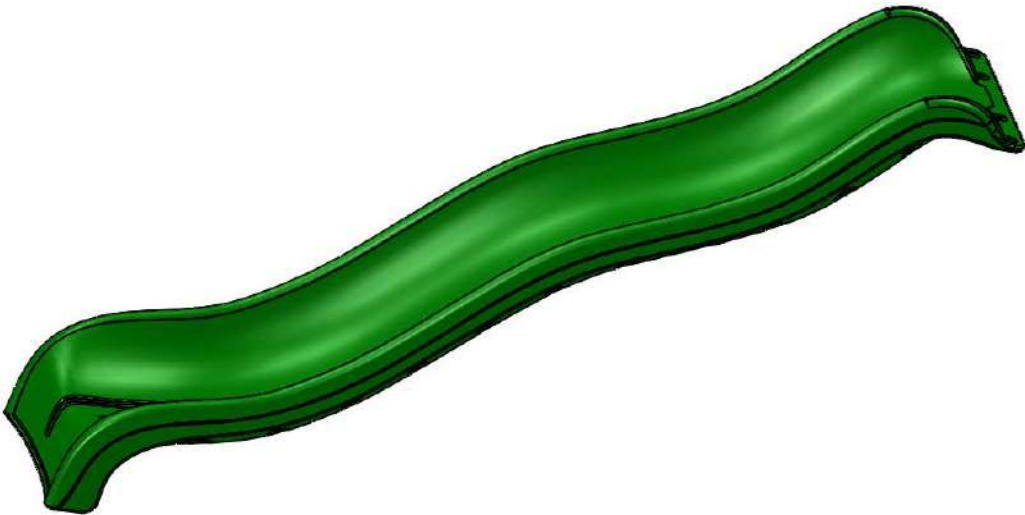
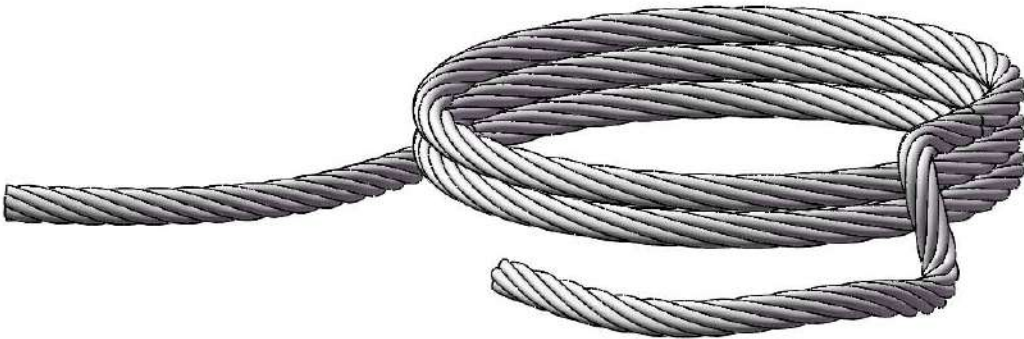

| PICTURE | DESCRIPTION | QTY. |
|---|---|------|
|  | $\frac{5}{4} \times 3 \times 23\frac{7}{8}$ ROCK WALL CAP 125-3-2387-RWC | 1 |
|  | $\frac{5}{4} \times 2\frac{5}{8} \times 28\frac{1}{4}$ PANEL SLAT 125-3-2825-PS | 24 |
|  | $\frac{5}{4} \times 4 \times 40\frac{3}{8}$ DECK SPACER 125-4-4038-DS | 2 |
|  | $\frac{5}{4} \times 6 \times 22$ SANDBOX SEAT 125-6-2200-SS | 2 |
|  | $\frac{5}{4} \times 6 \times 23\frac{7}{8}$ BOTTOM ROCK WALL BOARD 125-6-2387-BRW | 1 |
|  | $\frac{5}{4} \times 6 \times 23\frac{7}{8}$ ROCK WALL BOARD 125-6-2387-RWB | 11 |
|  | $\frac{5}{4} \times 6 \times 43$ PICNIC TABLE TOP AND SEATS 125-6-4300-PTTS | 4 |

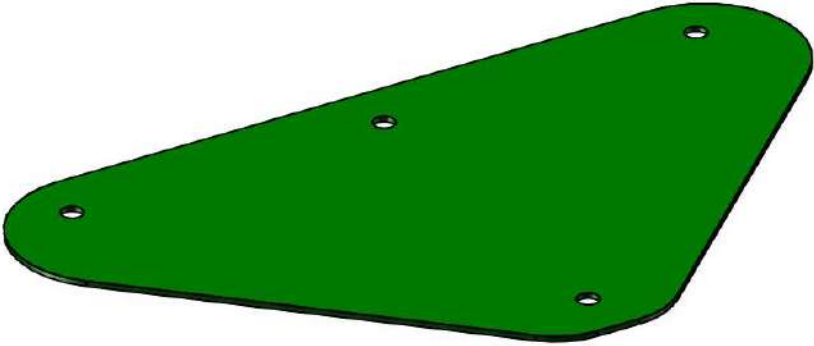
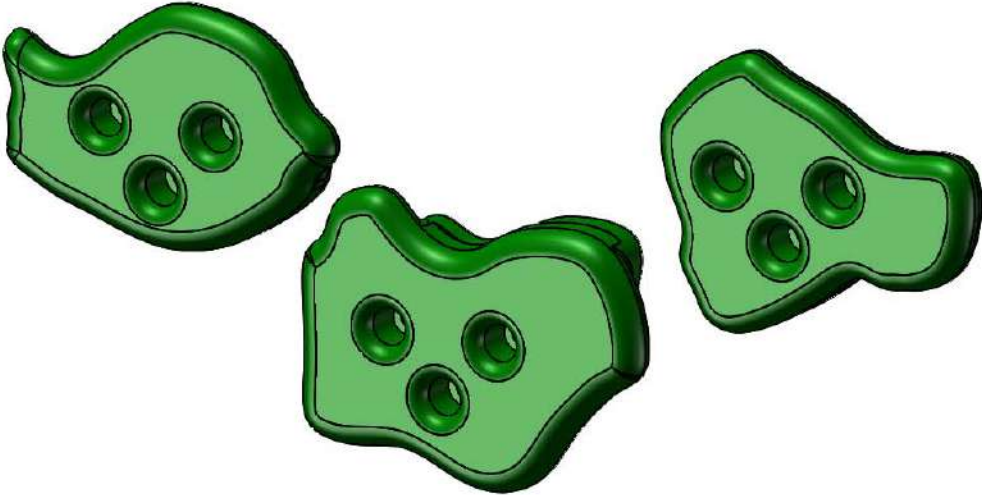
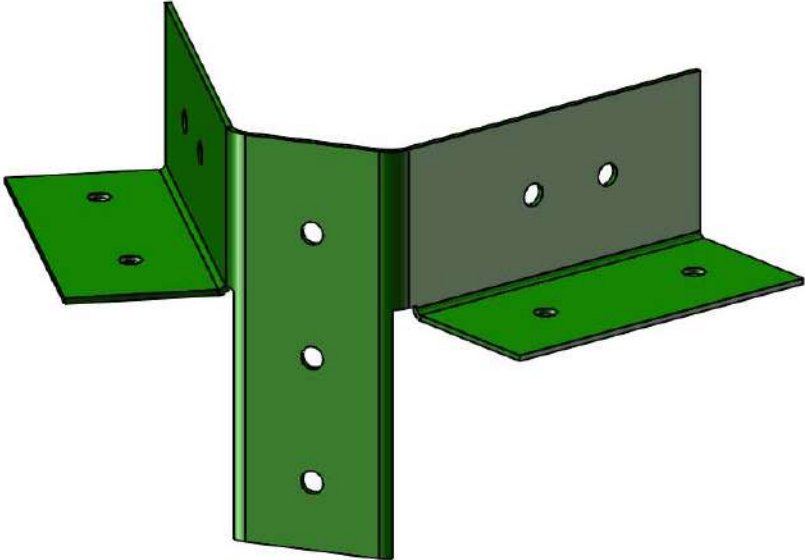
| PICTURE | DESCRIPTION | QTY. |
|--|--|------|
|  | $\frac{5}{4}$ X 6 X 47 $\frac{3}{8}$ " DECK BOARD 125-6-4737-DB | 11 |
|  | 4 X 4 X 72" TIRE SWING LEG 4-4-7200-AFL | 2 |
|  | 2 X 2 X 16" RAMP FLOOR SUPPORT 2-2-1600-FS | 7 |
|  | 2 X 4 X 18 RAMP POST BRACE 2-4-1800-RPB | 4 |
|  | 2 X 4 X 18 $\frac{3}{4}$ " RAMP SUPPORT 2-4-1875-RS | 3 |
|  | 2 X 4 X 33" RAMP POST 2-4-3300-RP | 2 |
|  | 2 X 4 X 95-1/2" MIDDLE FLOOR BOARD 2-4-9550-MFB | 1 |

| PICTURE | DESCRIPTION | QTY. |
|---|--|------|
|  | 2 X 4 X 96" RAMP SIDE BOARD 2-4-9600-SB | 2 |
|  | 2 X 6 X 95-1/2" RAMP FLOOR BOARD 2-6-9550-FB | 2 |
|  | 4 X 4 X 8" ROPE MOUNT 4-4-0800-RM | 2 |
|  <p data-bbox="649 976 1104 1092"> NOTE: ANYTHING ON THIS PAGE REFERRED TO AS "PLASTIC COATED" WILL BE AMBER STAINED WOOD FOR THE <u>SOLID CEDAR WOOD</u> OPTION. </p> | 4 X 4 X 96" PLASTIC COATED CORNER POST | 4 |
|  | 4 X 4 X 108" PLASTIC COATED SWING LEG | 2 |
|  | 4 X 6 X 120" PLASTIC COATED SWING BEAM | 1 |
|  | 4 X 6 X 108" PLASTIC COATED TIRE SWING BEAM | 1 |

| PICTURE | DESCRIPTION | QTY. |
|---|---|-----------|
|  | <p>2 X 4 X 47$\frac{1}{2}$" TIRE SWING CROSS MEMBER 2-4-4750-CM</p> | <p>1</p> |
|  | <p>4 X 4 X 96" PLASTIC COATED CORNER POST</p> | <p>4</p> |
|  | <p>2 X 4 X 29" BRIDGE DECK 2-4-2900-BD</p> | <p>15</p> |
|  | <p>2 X 4 X 33" VERTICAL TARP SUPPORT 2-4-3300-VTS</p> | <p>2</p> |
|  | <p>2 X 4 X 36-3/4" SAFETY BOARD WITH CHAIN HOLES 2-4-3675-SBH</p> | <p>2</p> |
|  | <p>2 X 4 X 36-3/4" RAILING/DECK SUPPORT 2-4-3675-SB</p> | <p>6</p> |
|  | <p>2 X 4 X 36-3/4" TARP BOARD 2-4-3675-TB</p> | <p>3</p> |

| PICTURE | DESCRIPTION | QTY. |
|--|--|-----------|
|  | <p>2 X 4 X 66" BRIDGE RAIL 2-4-6600-R</p> | <p>4</p> |
|  | <p>2 X 6 X 36-3/4" BOTTOM PANEL BOARD 2-6-3675-BPB</p> | <p>6</p> |
|  <p data-bbox="849 705 1084 789">NOTE: THIS ITEM WILL NOT BE USED FOR THIS PLAY SET.</p> | <p>4 X 4 X 29" CENTER POST 4-4-2900-CP</p> | <p>1</p> |
|  | <p>5/4 X 3 X 16" BRIDGE RAIL SLAT 125-3-1600-RS</p> | <p>20</p> |
|  | <p>5/4 X 3 X 28-1/2" PANEL SLAT 125-3-2850-PS</p> | <p>11</p> |
|  | <p>5/4 X 4 X 29-3/8" DECK SPACER 125-4-2937-DS</p> | <p>2</p> |
|  | <p>5/4 X 4 X 36-11/16" DECK BOARD 125-4-3668-DB</p> | <p>7</p> |

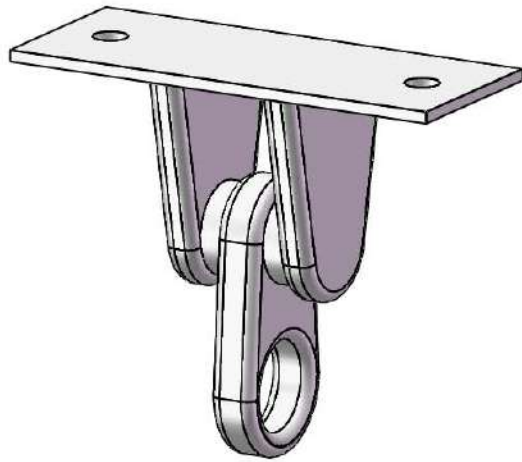
| PICTURE | DESCRIPTION | QTY. |
|--|--|----------------------------|
|  | <p>10' WIKI WAVE SLIDE</p> | <p>1</p> |
|  | <p>10' ROCK WALL ROPE</p> <p>12' OR 13' RAMP ROPE</p> <p>13' ROPE LADDER ROPES</p> | <p>1</p> <p>2</p> <p>3</p> |
|  | <p>SWING W/CHAINS 04-0002</p> <p>TRAPEZE BAR W/CHAINS 04-0006</p> | <p>2</p> <p>1</p> |

| PICTURE | DESCRIPTION | QTY. |
|--|---|---------------------|
|  | <p>SWING PLATE 11-5002</p> | <p>1</p> |
|  | <p>CLIMBING ROCK (5 ROCKS ARE IN ONE BAG) 07-0008</p> | <p>10 ROCKS</p> |
|  | <p>A-FRAME SWING LEG BRACKET 11-5010</p> | <p>2</p> |
| <p>HARDWARE BOXES: 1501, 1502, 1509N, 1510, 1511, 1517, 1523</p> | <p>HARDWARE BOXES INSTRUCTIONS</p> | <p>1 EA.</p> |

PICTURE

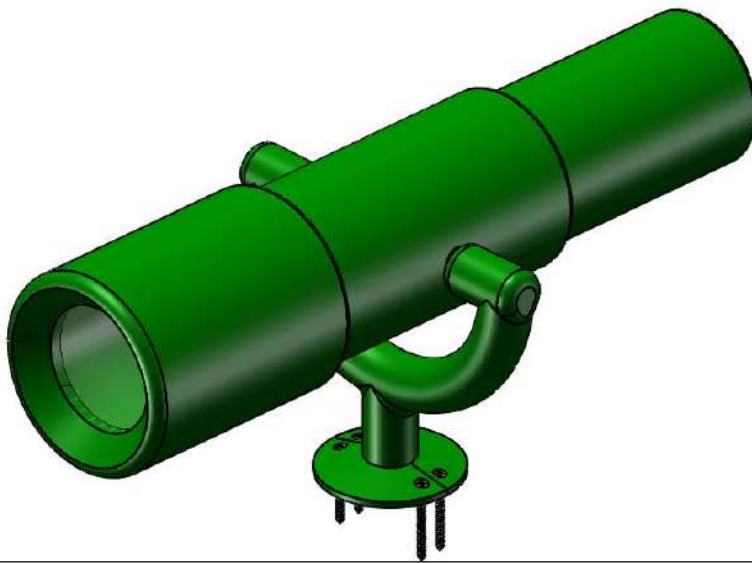
DESCRIPTION

QTY.



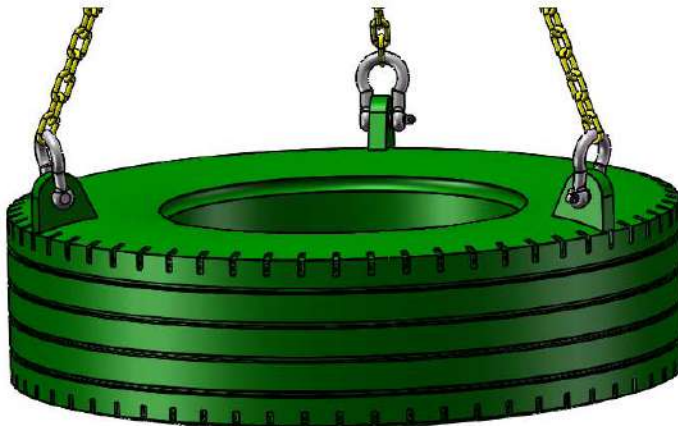
IRON
DUCTILE
SWING
HANGER
11-4012

6



TELESCOPE
07-0001

1



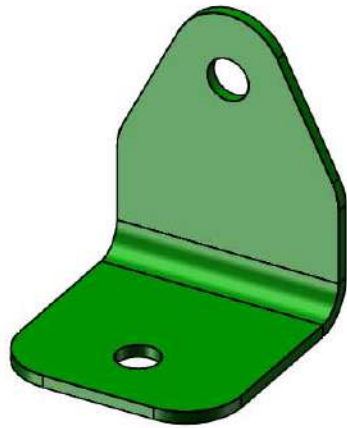
TIRE SWING
W/CHAINS
04-0014

1

PICTURE

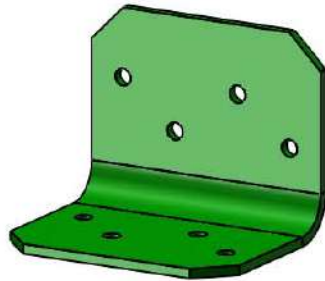
DESCRIPTION

QTY.



90° GREEN
BRACKET
11-5013

6



BRACKET
28-0001

2



SPRING
CLIP
11-4003

9



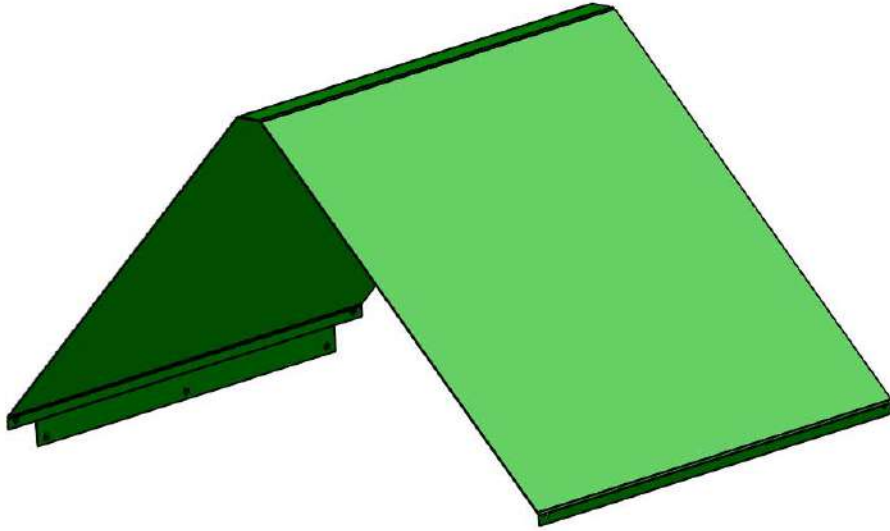
SAFETY
HANDLE
(PAIR)
07-0005

1 PR

PICTURE

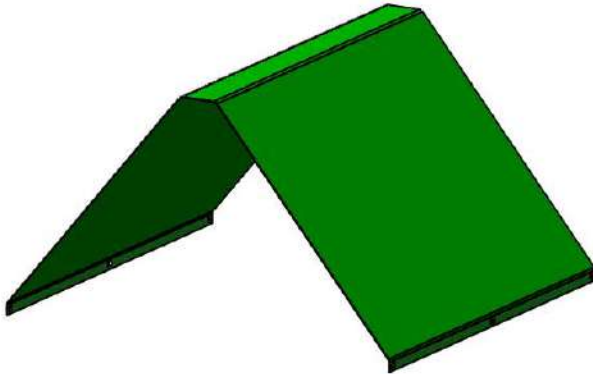
DESCRIPTION

QTY.



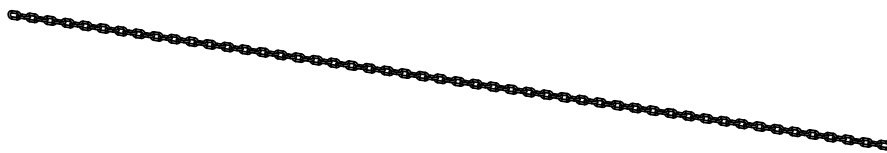
TARP
05-0010
(MATERIAL
AND
COLOR WILL
VARY BY
MODEL)

1



CLATTER-
BRIDGE TARP
57-1/2" X 34-
1/4"
05-1012

1



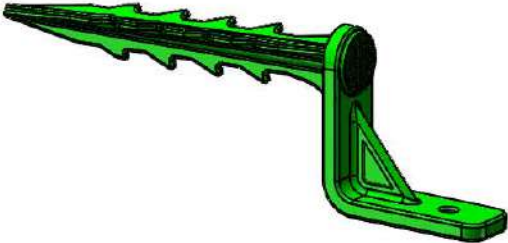



CLATTER-
BRIDGE
CHAIN
96"

2



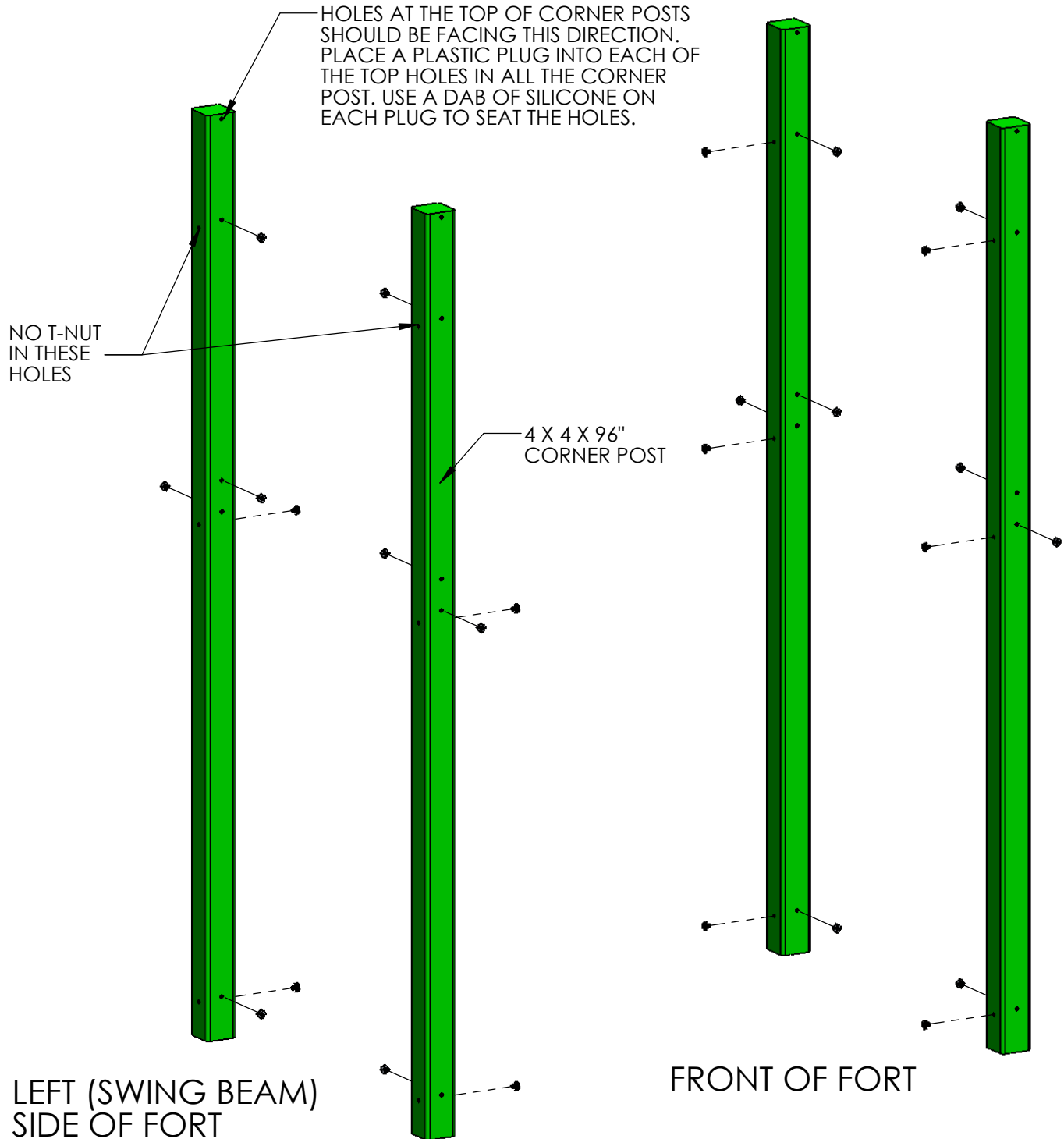
FLAG KIT
09-1014

2

| PICTURE | DESCRIPTION | QTY. |
|---|---|------|
| (NOT SHOWN) | MANUFACTURER LOGO PLATE | 1 |
| (NOT SHOWN) | CLATTER BRIDGE MESH PANELS 06-2004 | 1 PR |
|  | GROUND STAKE (PAIR) 07-0016-P | 1 |
|  | TIC TAC TOE (UNASSEMBLED) 07-0010 | 1 |
|  | STEERING WHEEL 07-0004 | 1 |
|  | TIRE SWING SWIVEL 11-4010 | 1 |

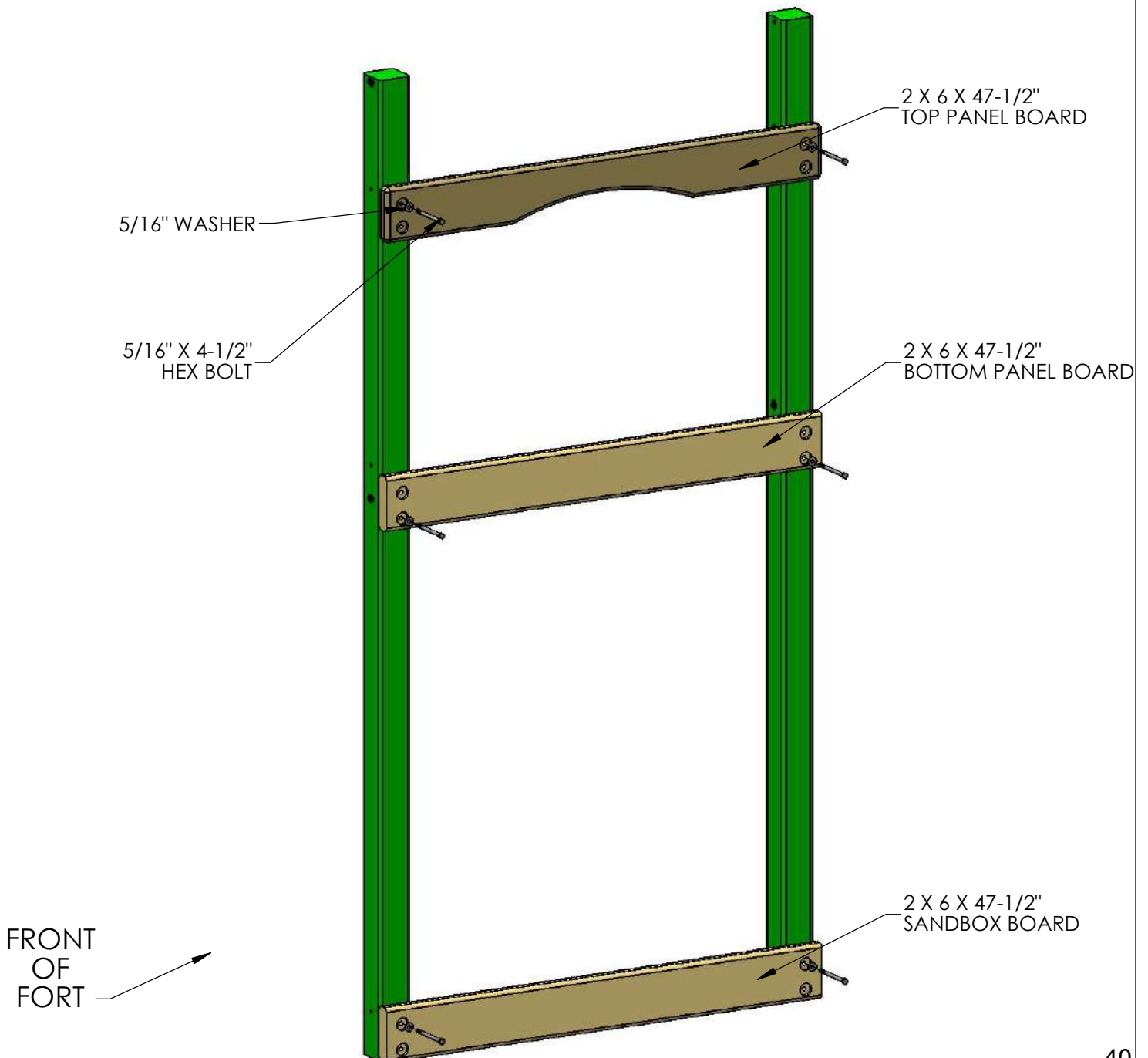
STEP 1: ATTACHING T-NUTS TO THE CORNER POSTS

- 1: THIS STEP IS CRITICAL TO BUILDING THE FORT PROPERLY. IF ANY MISTAKES ARE MADE HERE, YOU WILL NEED TO DIS-ASSEMBLE AND THEN RE-ASSEMBLE TO MAKE YOUR CORRECTIONS.
- 2: MAKE SURE HOLES ARE FREE OF ANY OBSTRUCTIONS. USE A BOLT TO CLEAN OUT ANY DEBRIS.
- 3: LAY OUT EACH OF THE 4 X 4 X 96" CORNER POSTS IN THE AREA YOU INTEND ON BUILDING THE FORT.
- 4: USE THE DIAGRAM BELOW TO CORRECTLY IDENTIFY AND ORIENT THE NECESSARY DIRECTION THE POSTS SHOULD FACE.
- 5: USE A HAMMER TO SEAT THE T-NUTS AFTER INSERTING THEM INTO THE HOLES SHOWN IN THE DIAGRAM BELOW.
- 6: THE BARREL OF THE T-NUT SHOULD GO IN THE HOLE FIRST. HAMMER THE T-NUT UNTIL IT IS FLUSH/ALMOST FLUSH TO THE CORNER POSTS.



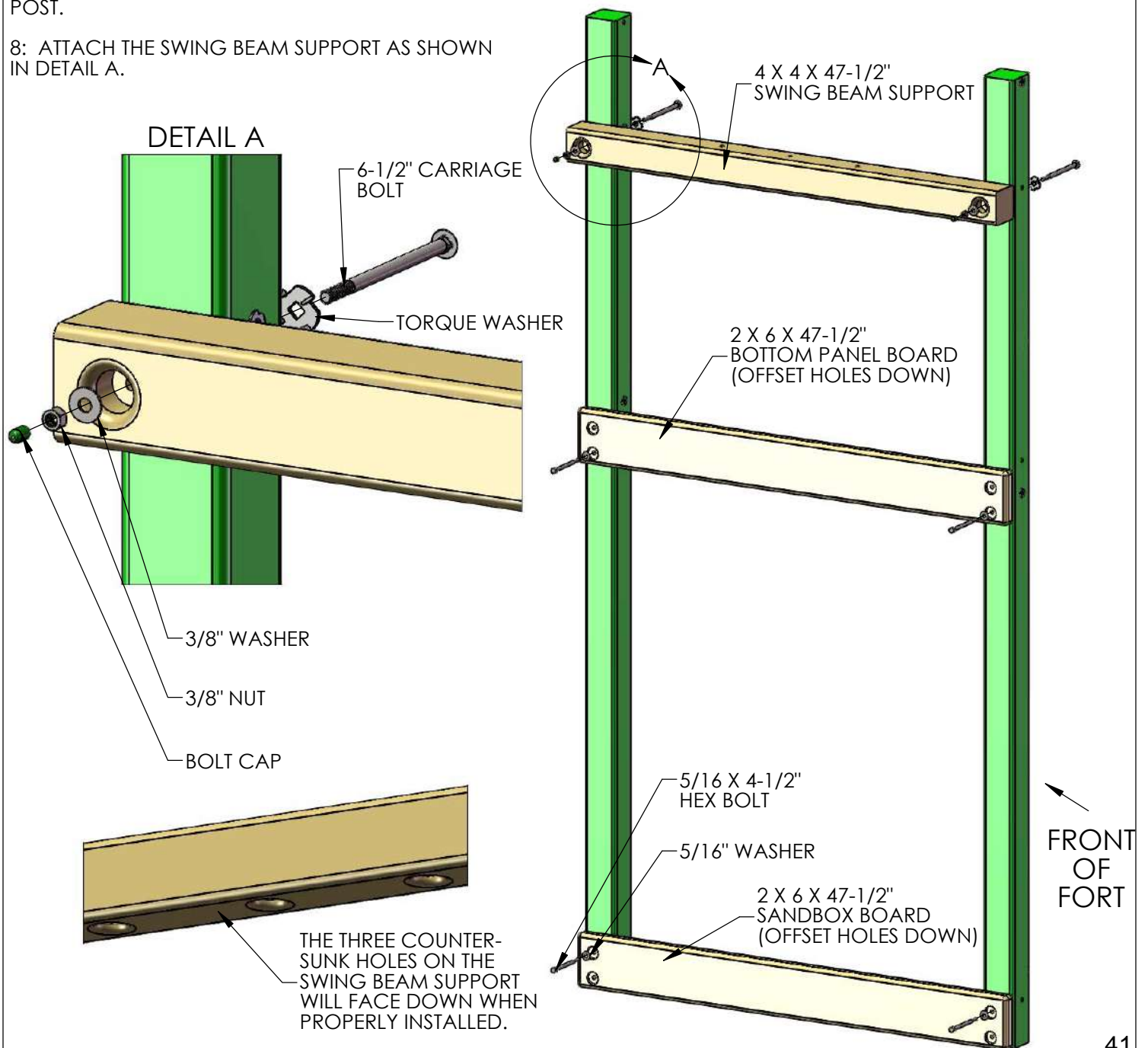
STEP 2: ASSEMBLING THE RIGHT SIDE FRAME

- 1: LAY THE 2 X 6 X 47-1/2" SANDBOX BOARD ON TOP OF THE RIGHT SIDE CORNER POSTS AT THE BOTTOM OF THE CORNER POSTS. THE HOLES IN THE SANDBOX BOARD MUST BE OFFSET DOWN.
- 2: USE 5/16 X 4-1/2" HEX BOLTS AND 5/16" WASHERS TO ATTACH THE TOP HOLES OF THE SANDBOX BOARD TO THE T-NUTS INSTALLED ON THE CORNER POSTS. THE BOTTOM HOLES WILL BE USED LATER.
- 3: LAY THE 2 X 6 X 47-1/2" BOTTOM PANEL BOARD ON TOP OF THE RIGHT SIDE CORNER POSTS IN THE MIDDLE OF THE CORNER POSTS. THE HOLES IN THE BOTTOM PANEL BOARD MUST BE OFFSET DOWN.
- 4: USE 5/16 X 4-1/2" HEX BOLTS AND 5/16" WASHERS TO ATTACH THE BOTTOM HOLES OF THE BOTTOM PANEL BOARD TO THE T-NUTS INSTALLED ON THE CORNER POSTS. THE TOP HOLES WILL BE USED LATER.
- 5: LAY THE 2 X 6 X 47-1/2" TOP PANEL BOARD ON TOP OF THE RIGHT SIDE CORNER POSTS. THE HOLES IN THE TOP PANEL BOARD MUST BE OFFSET DOWN.
- 6: USE 5/16 X 4-1/2" HEX BOLTS AND 5/16" WASHERS TO ATTACH THE TOP HOLES OF THE TOP PANEL BOARD TO THE T-NUTS INSTALLED ON THE CORNER POSTS.
- 7: DO NOT INSTALL LAG SCREWS AT THIS TIME.



STEP 3: ASSEMBLING THE LEFT SIDE FRAME

- 1: LAY THE LEFT SIDE CORNER POSTS ON THE GROUND IN THEIR PROPER ORIENTATION.
- 2: LAY THE 2 X 6 X 47-1/2" SANDBOX BOARD ON TOP OF THE LEFT SIDE CORNER POSTS AT THE BOTTOM OF THE CORNER POSTS. THE HOLES IN THE SANDBOX BOARD MUST BE OFFSET DOWN.
- 3: USE 5/16 X 4-1/2" HEX BOLTS AND 5/16" WASHERS TO ATTACH THE TOP HOLES OF THE SANDBOX BOARD TO THE T-NUTS INSTALLED ON THE CORNER POSTS. THE BOTTOM HOLES WILL BE USED LATER.
- 4: LAY THE 2 X 6 X 47-1/2" BOTTOM PANEL BOARD ON TOP OF THE LEFT SIDE CORNER POSTS IN THE MIDDLE OF THE CORNER POSTS. THE HOLES IN THE BOTTOM PANEL BOARD MUST BE OFFSET DOWN.
- 5: USE 5/16 X 4-1/2" HEX BOLTS AND 5/16" WASHERS TO ATTACH THE BOTTOM HOLES OF THE BOTTOM PANEL BOARD TO THE T-NUTS INSTALLED ON THE CORNER POSTS. THE TOP HOLES WILL BE USED LATER.
- 6: LAY THE 4 X 4 X 47-1/2" SWING BEAM SUPPORT ON TOP OF THE LEFT SIDE CORNER POSTS. THE THREE COUNTER-SUNK HOLES IN THE MIDDLE OF THE SWING BEAM SUPPORT MUST FACE DOWNWARD.
- 7: FIND TWO TORQUE WASHERS. PLACE A 6-1/2" CARRIAGE BOLT THROUGH THE TORQUE WASHER, MAKING SURE THAT THE TEETH ARE FACING IN THE SAME DIRECTION AS THE THREADS OF THE CARRIAGE BOLT. PLACE THE TORQUE WASHER/CARRIAGE BOLT ASSEMBLY INTO THE CORNER POST HOLES SO THAT THE HEAD OF THE CARRIAGE BOLT FACES WHAT WILL BE THE INSIDE OF THE FORT. USE A HAMMER TO SET THE TORQUE WASHER INTO THE CORNER POST.
- 8: ATTACH THE SWING BEAM SUPPORT AS SHOWN IN DETAIL A.

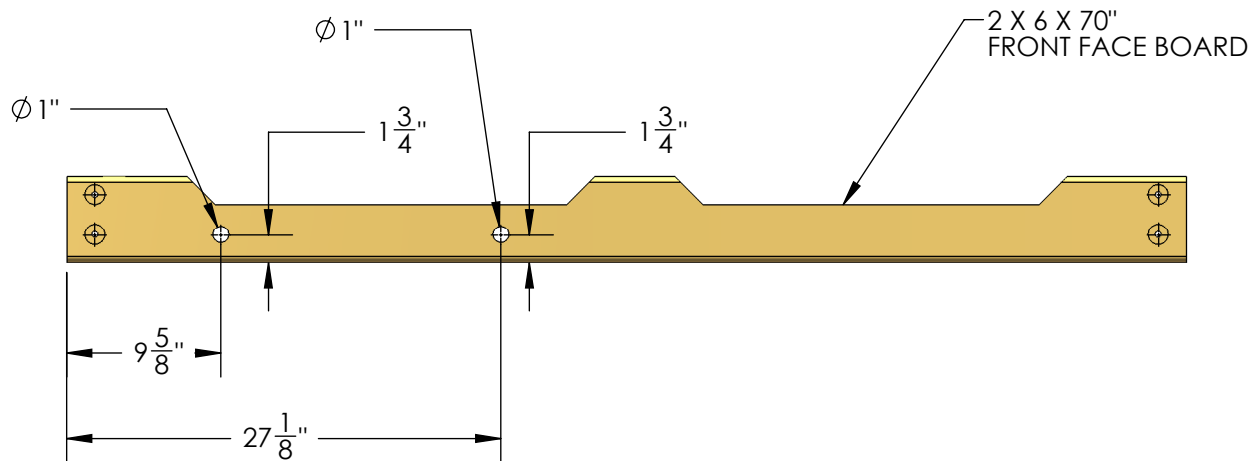
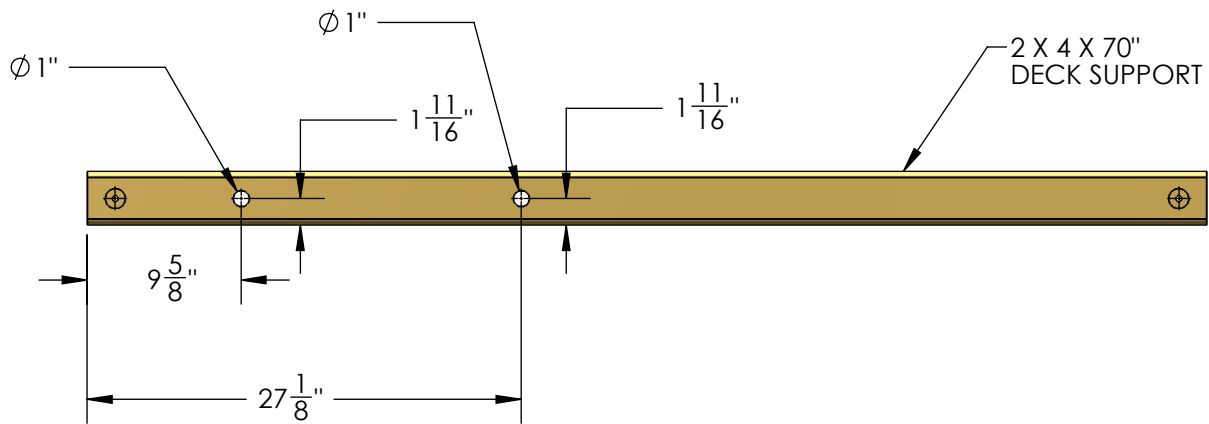


STEP 3A: DRILL HOLES FOR BRIDGE CHAINS

1: LOCATE ONE 2 X 4 X 70" DECK SUPPORT AND ONE 2 X 6 X 70" FRONT FACE BOARD.

2: MEASURE AS SHOWN BELOW AND MAKE MARKS ON EACH BOARD.

3: PLACE A SCRAP PIECE OF WOOD UNDER THE BOARD BEFORE YOU DRILL THE 1" HOLES WITH A SPADE BIT.

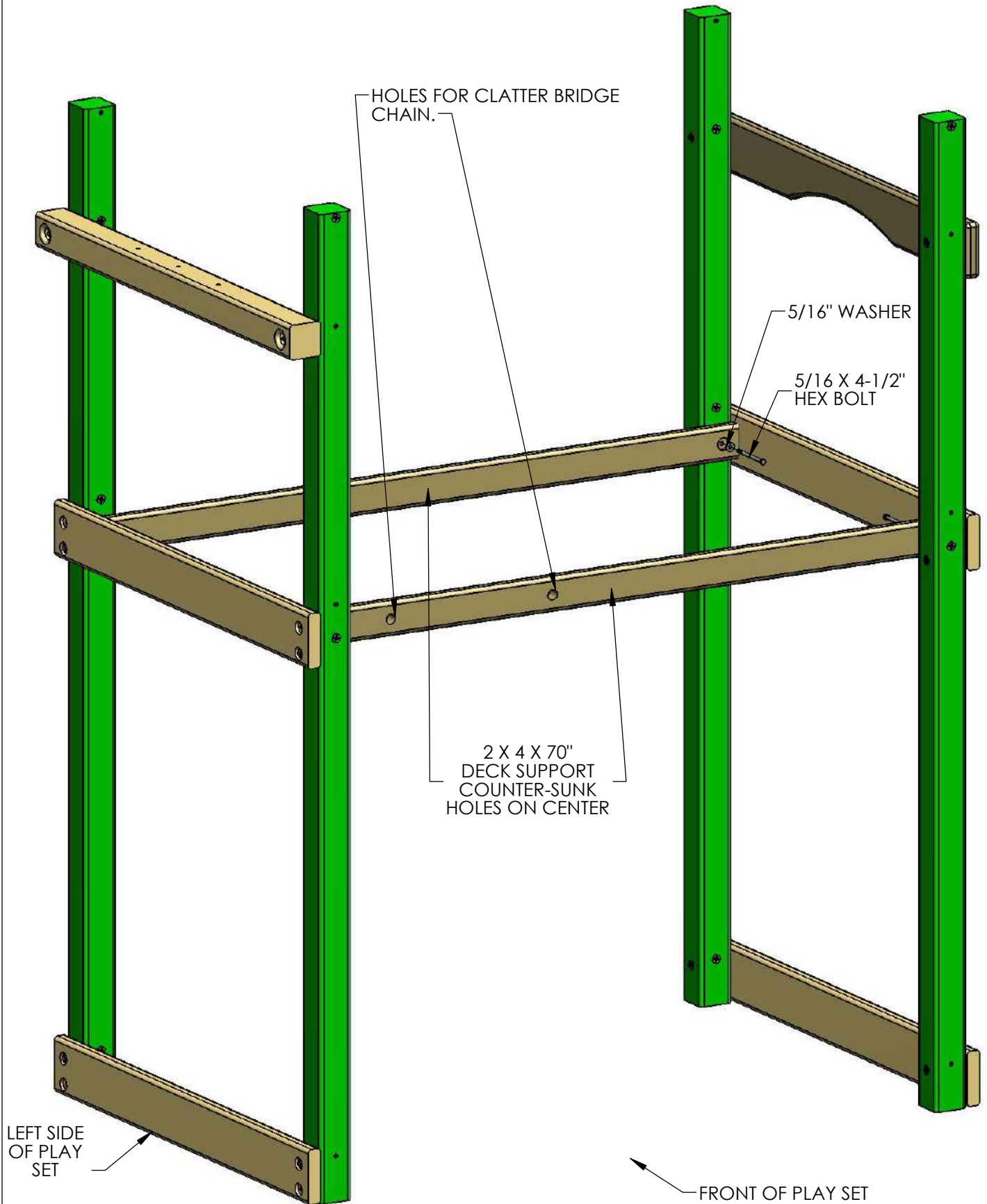


STEP 4: DECK SUPPORTS

YOU WILL NEED AN EXTRA PERSON FOR THIS STEP.

1: WITH HELP, STAND UP THE LEFT AND RIGHT SIDE ASSEMBLIES.

2: FASTEN THE 2 X 4 X 70" DECK SUPPORTS TO THE HOLES AT 54-3/4" WITH 5/16 X 4-1/2" HEX BOLTS AND 5/16" WASHERS FROM THE INSIDE OF THE FORT



STEP 5: FRONT FRAME ASSEMBLY

1: PLACE THE 2 X 6 X 102" ROPE LADDER RUNNER ON THE FRONT OF THE CORNER POSTS. THE HOLES IN THE ROPE LADDER RUNNER SHOULD BE OFFSET UP.

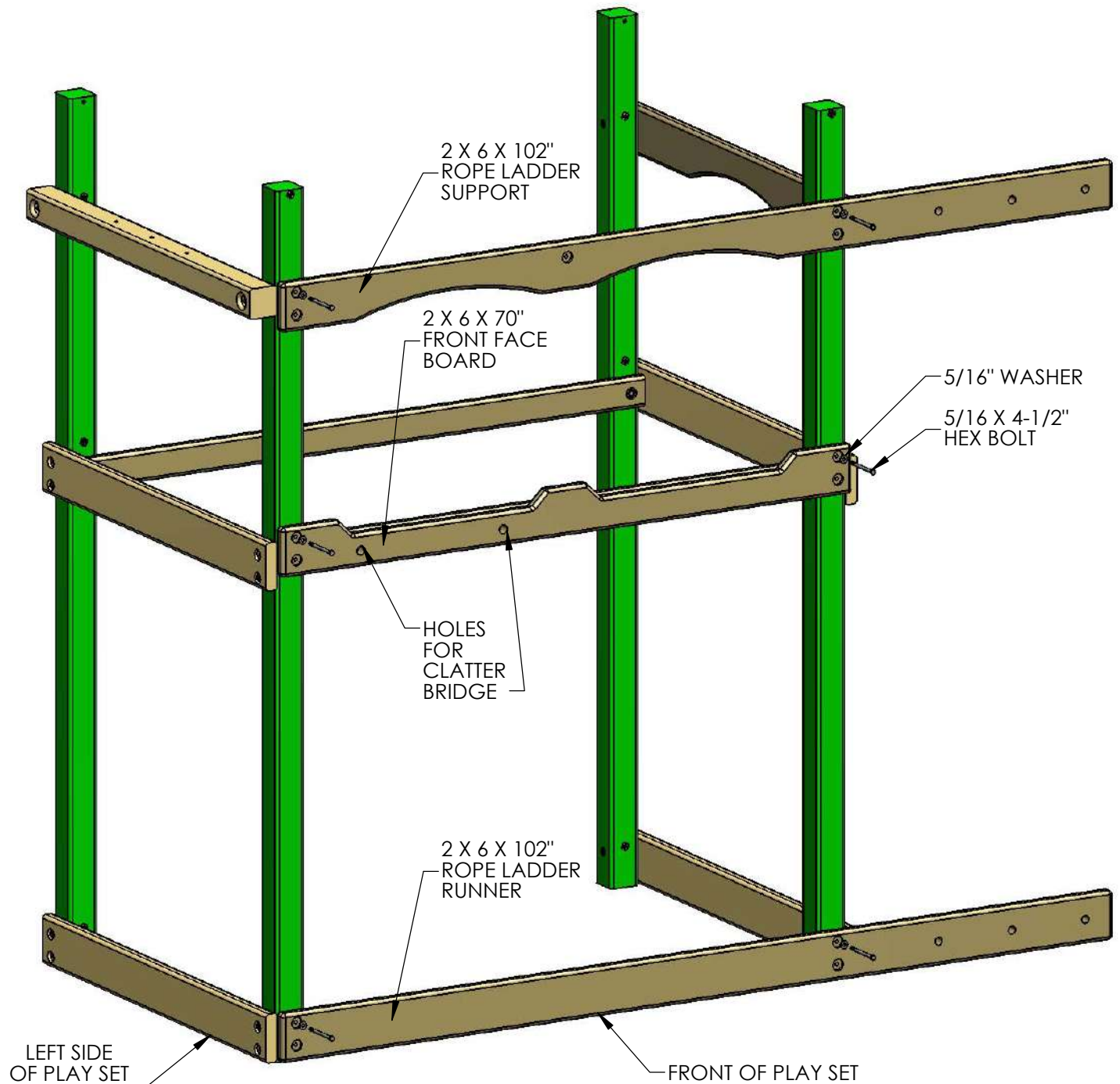
2: USE 5/16 X 4-1/2" HEX BOLTS AND 5/16" WASHERS TO ATTACH THE TOP HOLES OF THE SANDBOX BOARD TO THE T-NUTS INSTALLED ON THE CORNER POSTS. THE BOTTOM HOLES WILL BE USED LATER.

3: PLACE THE 2 X 6 X 70" FRONT FACE BOARD WITH NOTCHES ON THE FRONT OF THE CORNER POSTS. THE HOLES IN THE FRONT FACE BOARD SHOULD BE OFFSET UP.

4: USE 5/16 X 4-1/2" HEX BOLTS AND 5/16" WASHERS TO ATTACH THE TOP HOLES OF THE FRONT FACE BOARD TO THE T-NUTS INSTALLED ON THE CORNER POSTS. THE BOTTOM HOLES WILL BE USED LATER.

5: PLACE THE 2 X 6 X 102" ROPE LADDER SUPPORT ON THE FRONT OF THE CORNER POSTS. THE HOLES IN THE ROPE LADDER SUPPORT SHOULD BE OFFSET UP.

6: USE 5/16 X 4-1/2" HEX BOLTS AND 5/16" WASHERS TO ATTACH THE TOP HOLES OF THE ROPE LADDER SUPPORT TO THE T-NUTS INSTALLED ON THE CORNER POSTS.



STEP 6: REAR FRAME ASSEMBLY

1: PLACE THE 2 X 6 X 70" SANDBOX BOARD ON THE BOTTOM REAR OF THE CORNER POSTS. THE HOLES IN THE SANDBOX BOARD MUST BE OFFSET UP.

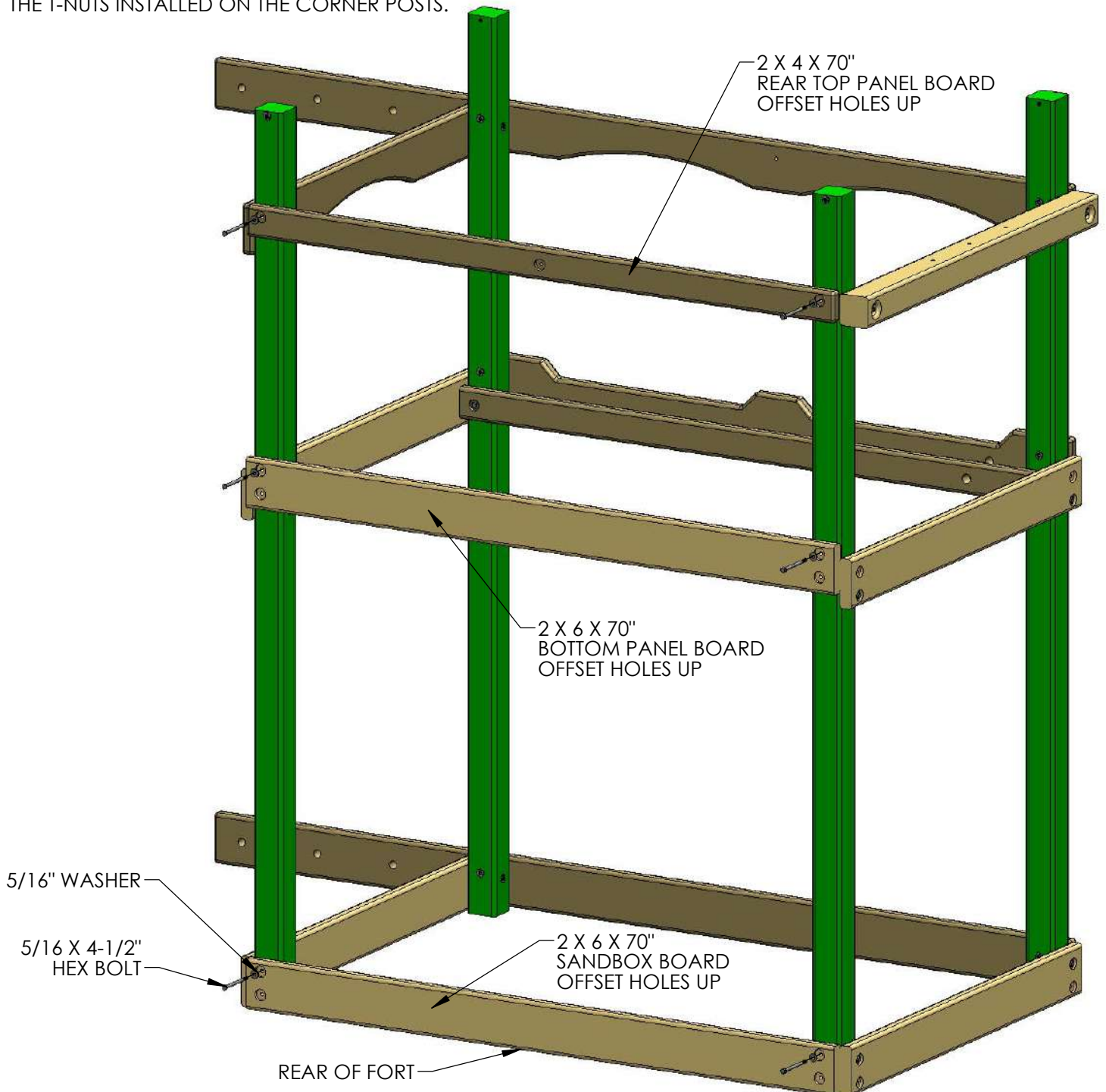
2: USE 5/16 X 4-1/2" HEX BOLTS AND 5/16" WASHERS TO ATTACH THE TOP HOLES OF THE SANDBOX BOARD TO THE T-NUTS INSTALLED ON THE CORNER POSTS. THE BOTTOM HOLES WILL BE USED LATER.

3: PLACE THE 2 X 6 X 70" BOTTOM PANEL BOARD AT THE MIDDLE OF THE REAR CORNER POSTS. THE HOLES IN THE FRONT FACE BOARD MUST BE OFFSET UP.

4: USE 5/16 X 4-1/2" HEX BOLTS AND 5/16" WASHERS TO ATTACH THE TOP HOLES OF THE BOTTOM PANEL BOARD TO THE T-NUTS INSTALLED ON THE CORNER POSTS. THE BOTTOM HOLES WILL BE USED LATER.

5: PLACE THE 2 X 4 X 70" REAR TOP PANEL BOARD NEAR THE TOP OF THE REAR CORNER POSTS. THE HOLES IN THE TOP PANEL BOARD MUST BE OFFSET UP.

6: USE 5/16 X 4-1/2" HEX BOLTS AND 5/16" WASHERS TO ATTACH THE HOLES OF THE TOP PANEL BOARD TO THE T-NUTS INSTALLED ON THE CORNER POSTS.

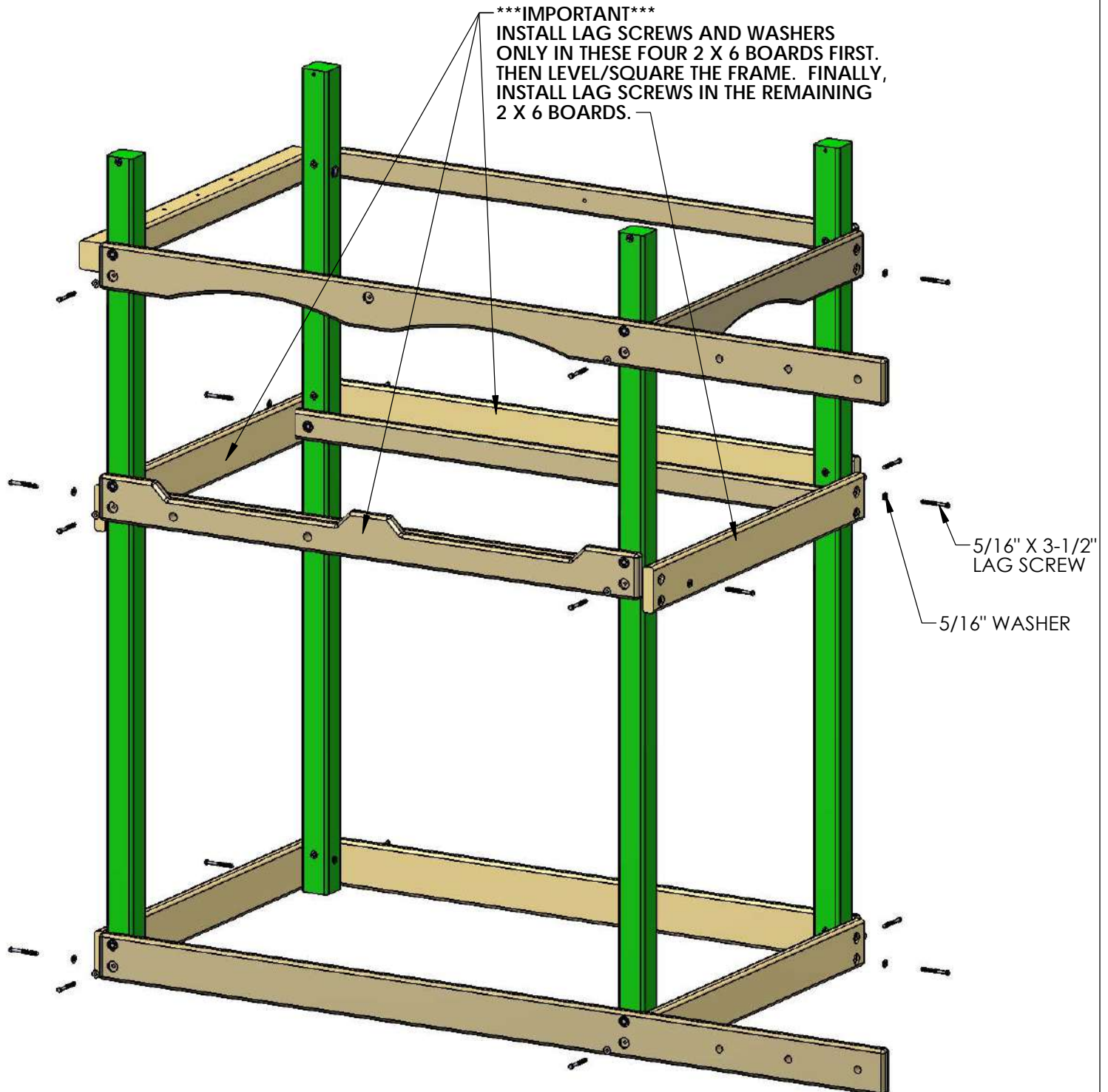


STEP 6A: LEVELING THE PLAY SET AND LAGS

1: INSTALL LAG SCREWS ONLY IN THE FOUR 2 X 6 BOARDS AT DECK HEIGHT AT THIS TIME. THIS IS TO MAKE THE STRUCTURE RIDGID FOR THE LEVELING AND SQUARING PROCESS.

2: PLACE THE FRAME IN ITS FINAL POSITION AND FOLLOW THE PROCEDURES AT THE FRONT OF THE MANUAL TO LEVEL AND SQUARE THE STRUCTURE. HAVE AN ASSISTANT HELP YOU LIFT THE FRAME AS REQUIRED. **DO NOT** INSTALL REMAINING LAG SCREWS UNTIL AFTER THE FRAME HAS BEEN LEVELED AND SQUARED.

3: ONCE THE FRAME IS LEVEL, SQUARE AND SET INTO POSITION; GO BACK AND INSERT THE 5/16" X 3-1/2" LAG SCREWS AND 5/16" WASHERS IN ALL OF THE REMAINING HOLES OF THE 2 X 6 PARTS ON THE FRONT, SIDES AND REAR OF THE PLAY SET. NOTE: THERE WILL NOT BE ANY PREDRILLED HOLES IN THE CORNER POSTS FOR THE LAG SCREWS.



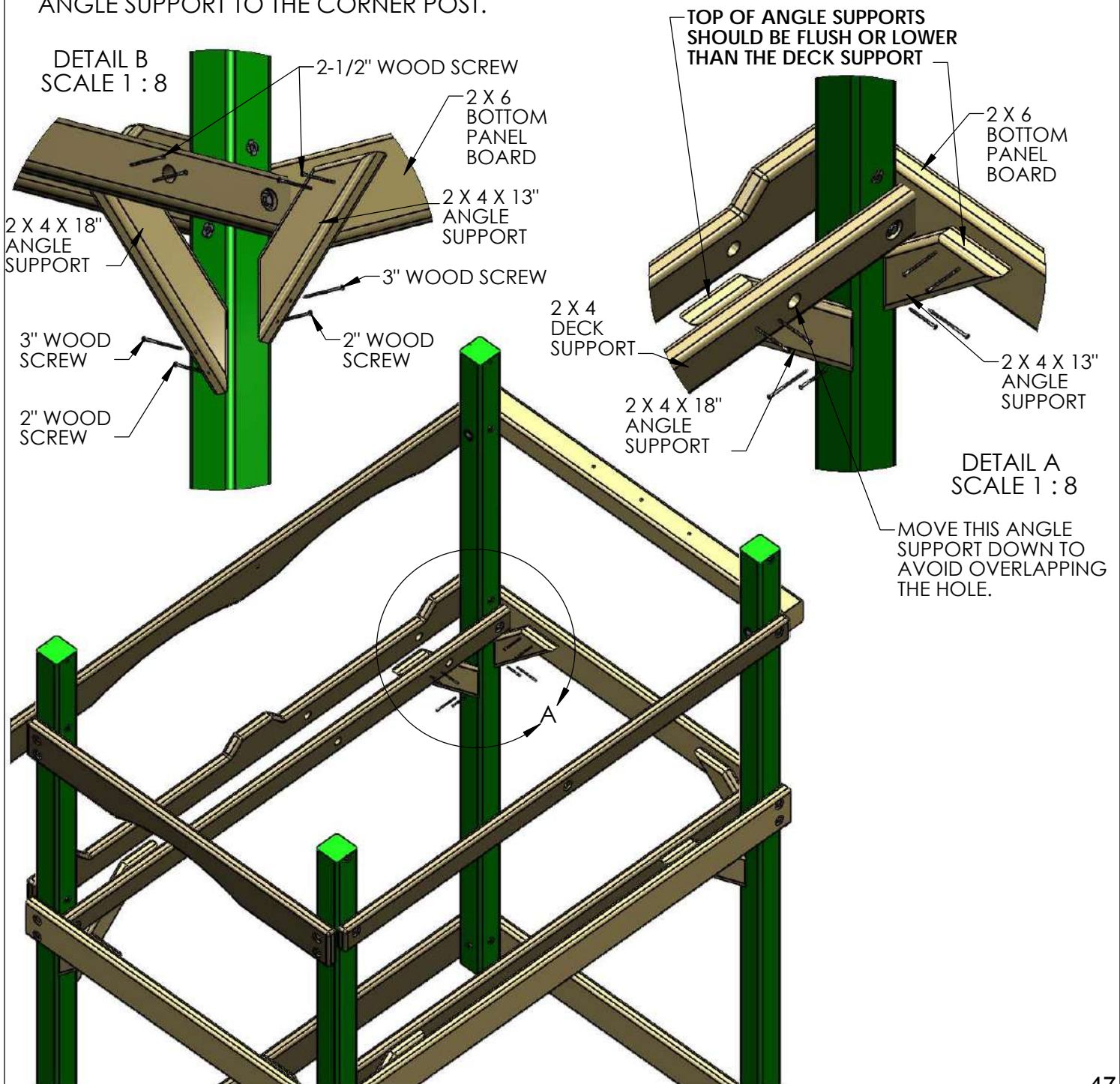
STEP 6B: ANGLE SUPPORTS

1: FOUR 2 X 4 X 13" ANGLE SUPPORTS ARE MOUNTED UNDER THE DECK ON THE LEFT AND RIGHT SIDES OF THE PLAY SET TO THE 2 X 6 BOTTOM PANEL BOARDS. **THE TOP OF THE ANGLE SUPPORT SHOULD BE FLUSH OR LOWER THAN THE TOP OF THE DECK SUPPORT.**

2: AT THE TOP USE 2-1/2" WOOD SCREWS THROUGH THE DECK SUPPORT INTO THE ANGLE SUPPORT. AT THE BOTTOM USE ONE 2" AND ONE 3" WOOD SCREW TO FASTEN THE ANGLE SUPPORT TO THE CORNER POST.

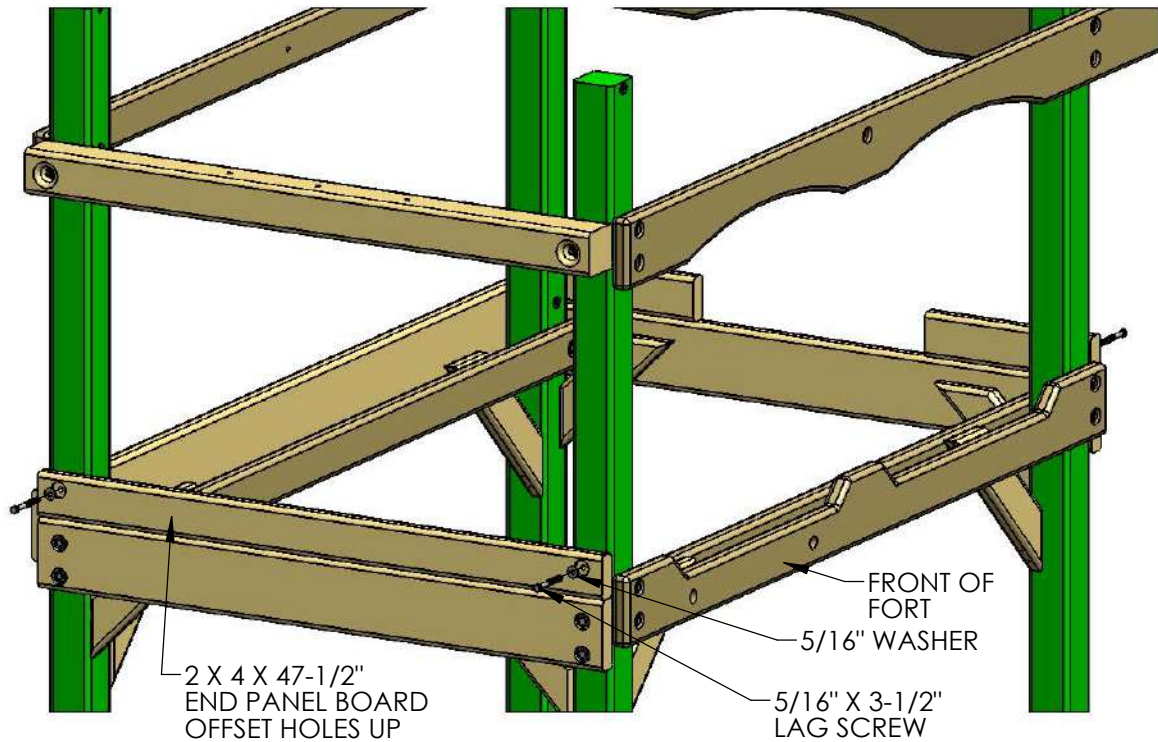
3: FOUR 2 X 4 X 18" ANGLE SUPPORTS ARE MOUNTED UNDER THE DECK ON THE FRONT AND REAR OF THE PLAY SET TO THE 2 X 4 DECK SUPPORTS. **THE TOP OF THE ANGLE SUPPORT SHOULD BE FLUSH OR LOWER THAN THE TOP OF THE DECK SUPPORT.**

4: AT THE TOP USE TWO 2-1/2" WOOD SCREWS THROUGH THE DECK SUPPORT INTO THE ANGLE SUPPORT. AT THE BOTTOM USE ONE 2" AND ONE 3" WOOD SCREW TO FASTEN THE ANGLE SUPPORT TO THE CORNER POST.

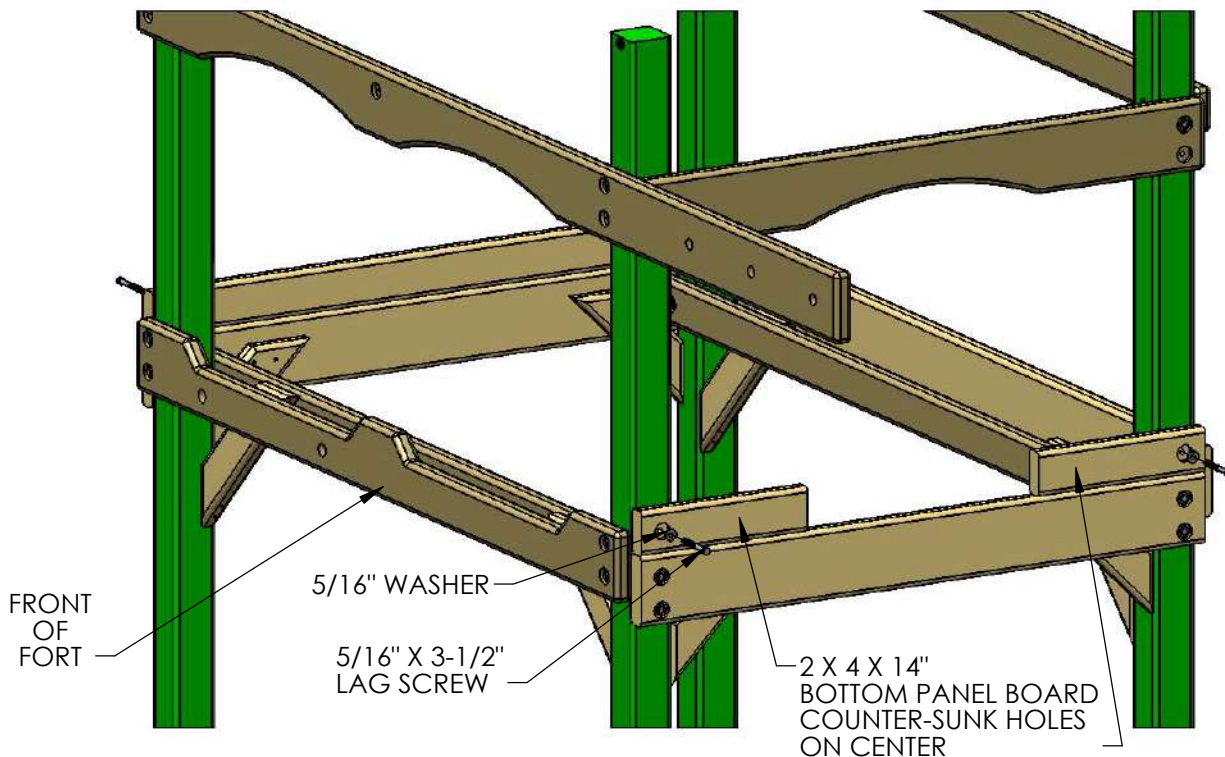


STEP 7: BOTTOM PANEL BOARDS

1: PLACE THE 2 X 4 X 47-1/2" END PANEL BOARD ON TOP OF THE 2 X 6 PANEL BOARD WITH OFFSET HOLES UP AND FASTEN TO THE CORNER POSTS WITH 5/16 X 3-1/2" LAG SCREWS WITH 5/16" WASHERS.



2: PLACE THE 2 X 4 X 14" BOTTOM PANEL BOARD ON TOP OF THE 2 X 6 PANEL BOARD AND FASTEN TO THE CORNER POSTS WITH 5/16 X 3-1/2" LAG SCREWS WITH 5/16" WASHERS.



! ATTENTION !

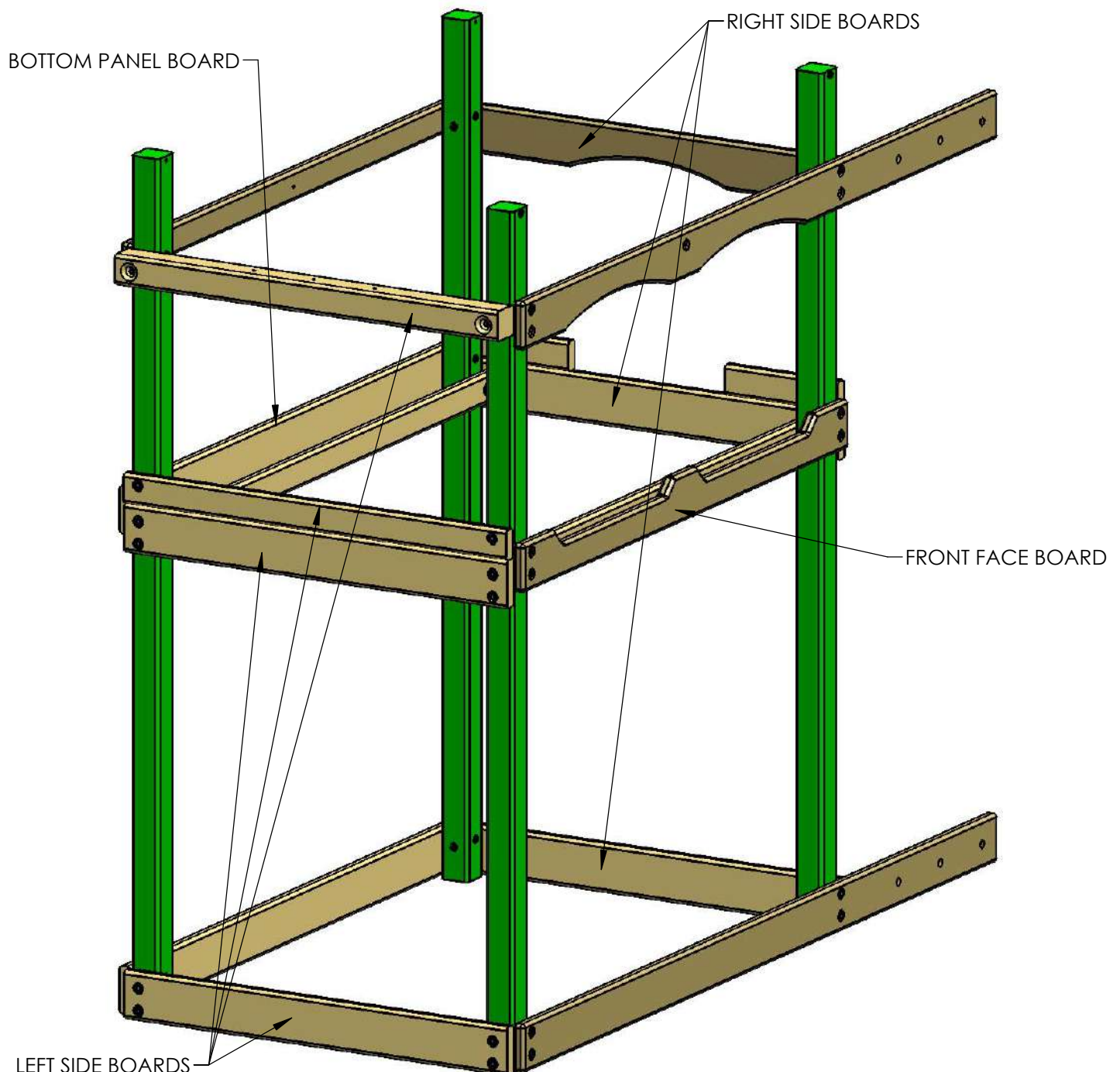
IN THE FOLLOWING THREE STEPS YOU WILL BEGIN THE INSTALLATION OF THE DECK SPACERS AND DECK BOARDS. IF YOU HAVE DIFFICULTY GETTING THE DECK BOARDS/DECK SPACERS TO FIT BETWEEN THE FRONT FACE BOARD AND BOTTOM PANEL BOARD DO THE FOLLOWING:

1: LOOSEN UP THE BOARDS ON THE LEFT AND RIGHT SIDES OF THE PLAY SET. REMOVE THE SCREWS ON ONE SIDE OF EACH DECK SPACER.

2: ALLOW THE DECK BOARDS TO DROP DOWN IN BETWEEN THE FRONT FACE BOARD AND BOTTOM PANEL BOARD.

3: TIGHTEN UP THE BOARDS ON THE LEFT AND RIGHT SIDES OF THE PLAY SET.

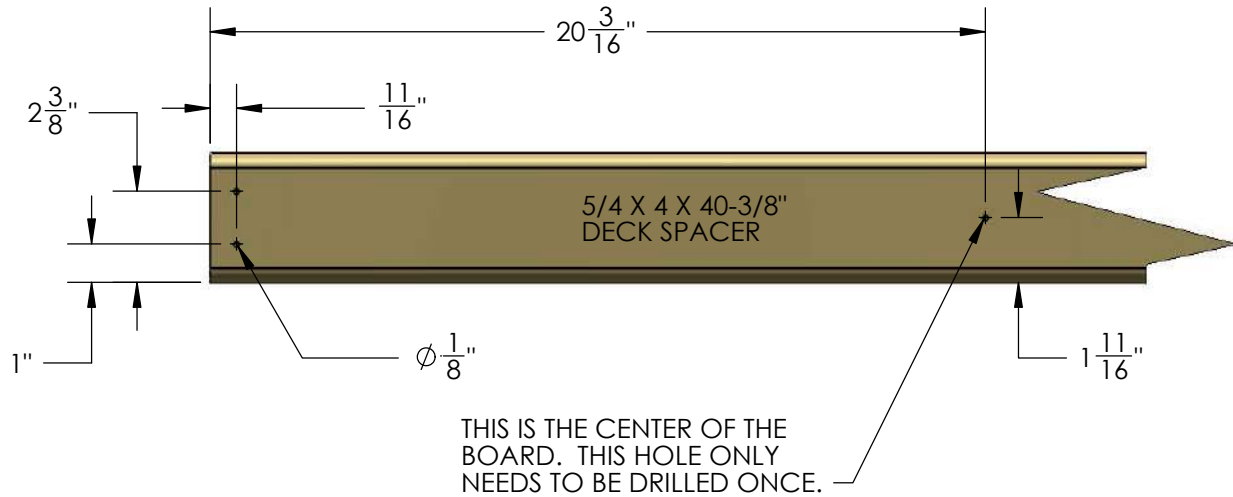
4: RE-INSTALL THE SCREWS IN THE DECK SPACERS. THEN INSTALL THE DECK BOARDS AS INDICATED IN THE INSTRUCTIONS.



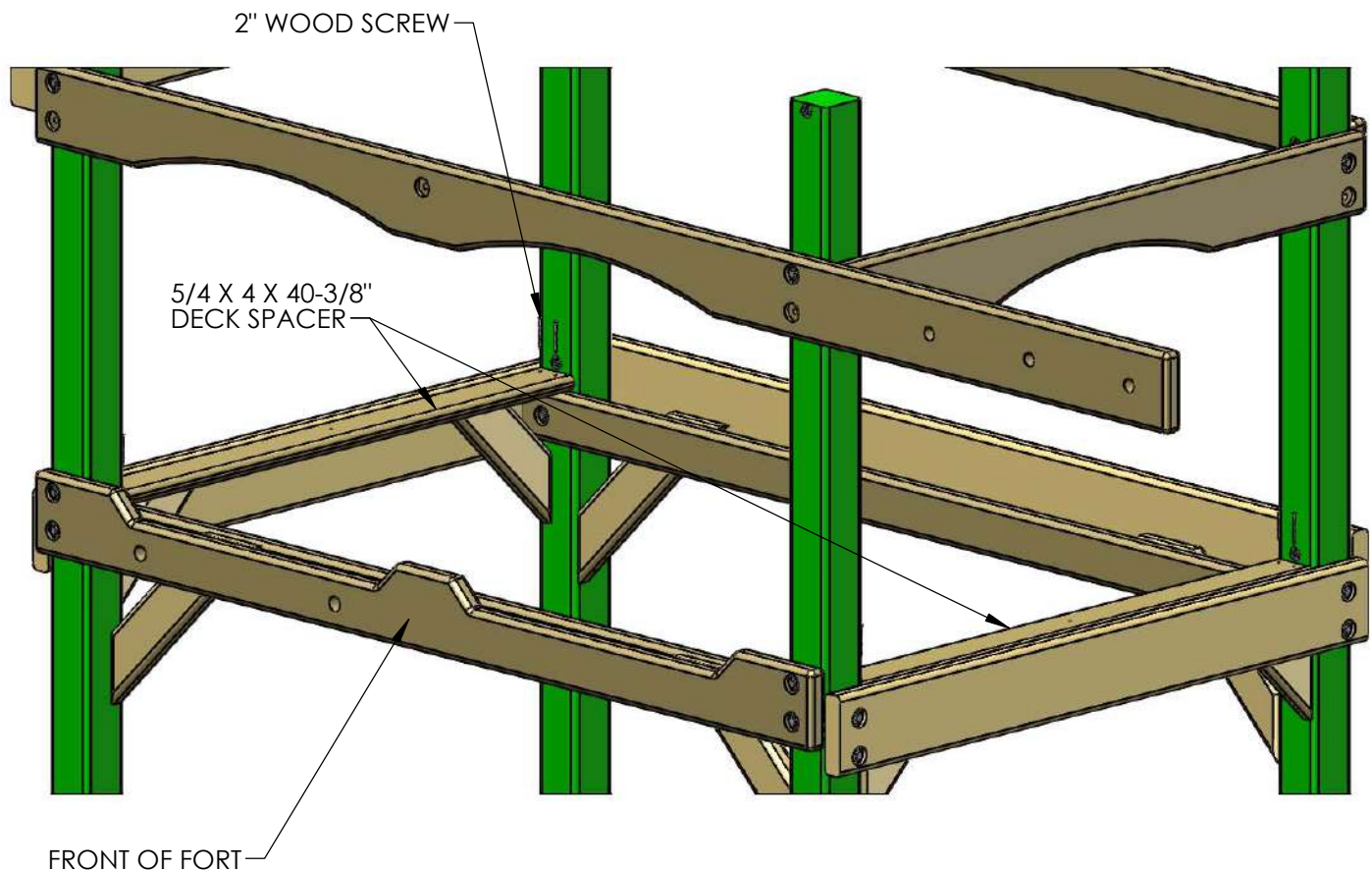
STEP 8: DECK SPACERS

THE FOLLOWING STEP IS RECOMMENDED TO PREVENT POSSIBLE SPLITS IN THE WOOD

1: PRE-DRILL THE ENDS OF THE 5/4 X 4 X 40-3/8" DECK SPACERS TO PREVENT INSTALLATION DAMAGE. PRE-DRILL BOTH ENDS WITH A 1/8" DRILL BIT AT THE DIMENSIONS SHOWN BELOW. THE HOLE AT 20-3/16" IS THE CENTER OF THE BOARD AND ONLY NEEDS TO BE DRILLED ONCE. THIS HOLE IS TO ATTACH THE CENTER DECK SUPPORT TO THE DECK SPACER.



2: PLACE THE 5/4 X 4 X 40-3/8" DECK SPACER AT ONE END OF THE FORT. CENTER THE BOARD BETWEEN THE CORNER POSTS AND ATTACH IT WITH 2" WOOD SCREWS THROUGH THE PREDRILLED HOLES AND INTO THE DECK SUPPORT BELOW. NOTE THE TOP OF THE SCREW HEAD SHOULD BE FLUSH TO THE TOP OF THE DECK SPACER.



NOTE: BOTTOM PANEL BOARDS AND END PANEL BOARD REMOVED FOR CLARITY.

STEP 9: CENTER DECK SUPPORT

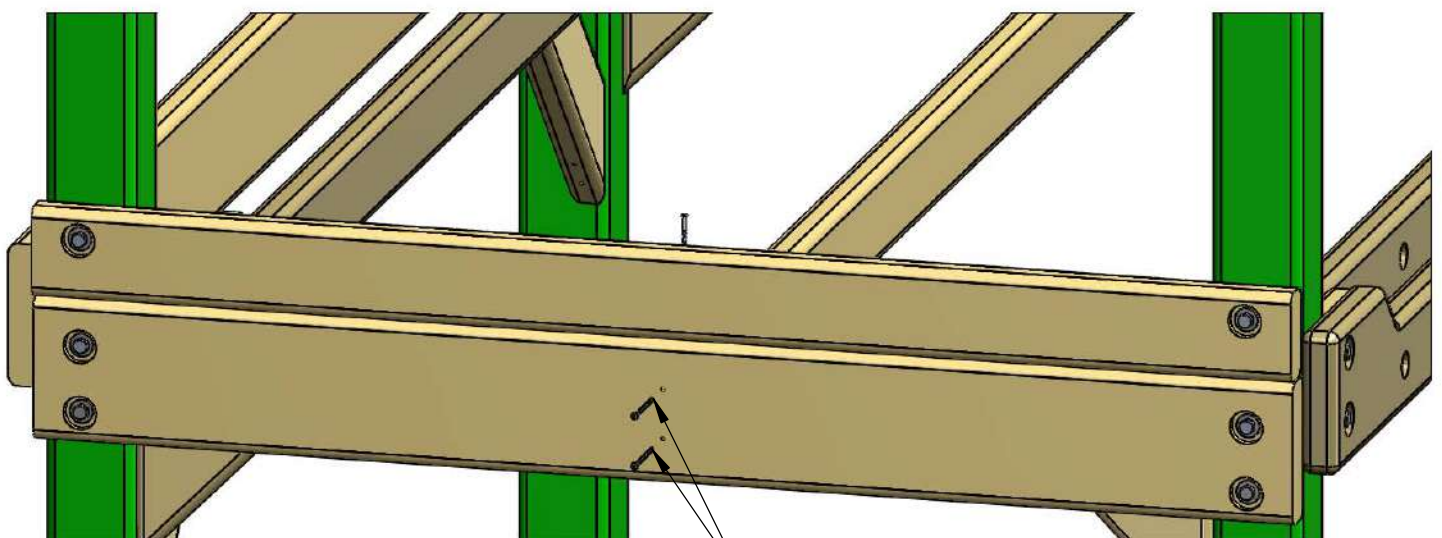
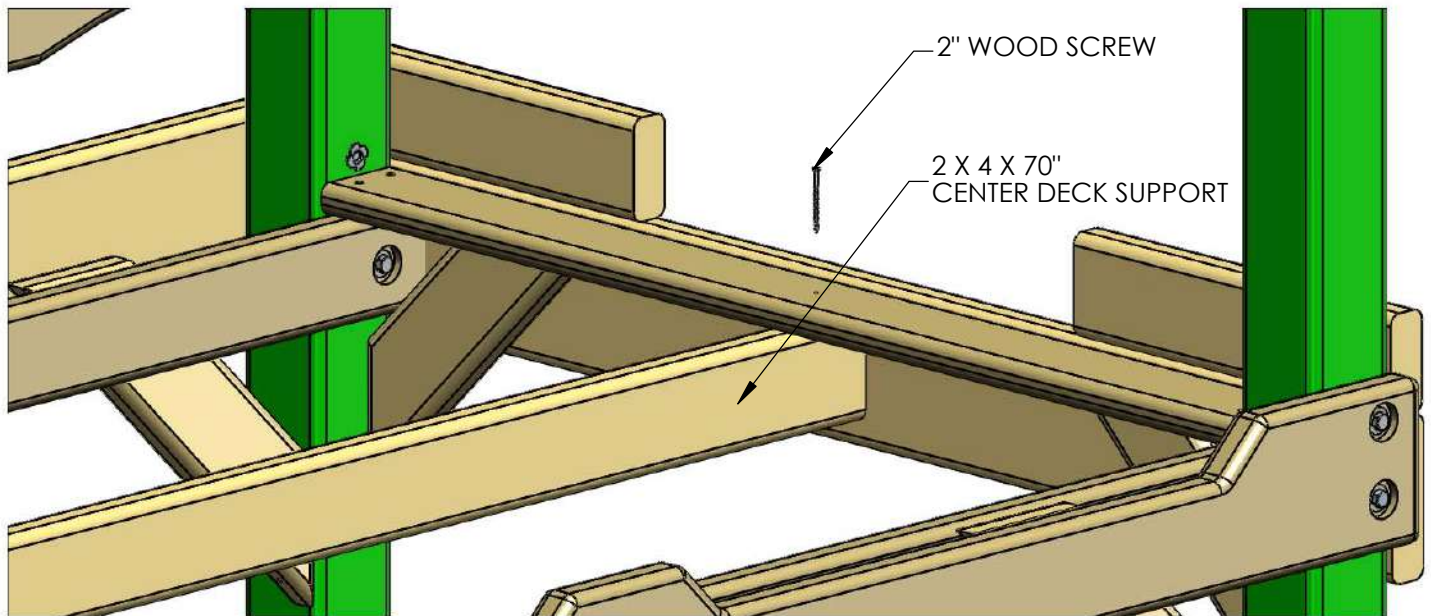
1: FIND THE 2 X 4 X 70" CENTER DECK SUPPORT WITHOUT HOLES.

2: FROM THE UNDERSIDE OF THE DECK SPACERS THAT WERE PREVIOUSLY INSTALLED, PLACE THE CENTER DECK SUPPORT AT THE CENTER OF THE DECK SPACERS (USE THE HOLE ON CENTER AS A GUIDE) AND MAKE A MARK ON THE OUTSIDE OF THE FORT TO REPRESENT A CENTER LINE.

3: USE 2" WOOD SCREWS TO ATTACH THE DECK SPACERS TO THE CENTER DECK SUPPORT.

4: CENTER THE 2 X 4 X 70" CENTER DECK SUPPORT ON THESE MARKS AND PUSH THE CENTER DECK SUPPORT FLUSH TO THE BOTTOM SIDE OF THE DECK BOARDS.

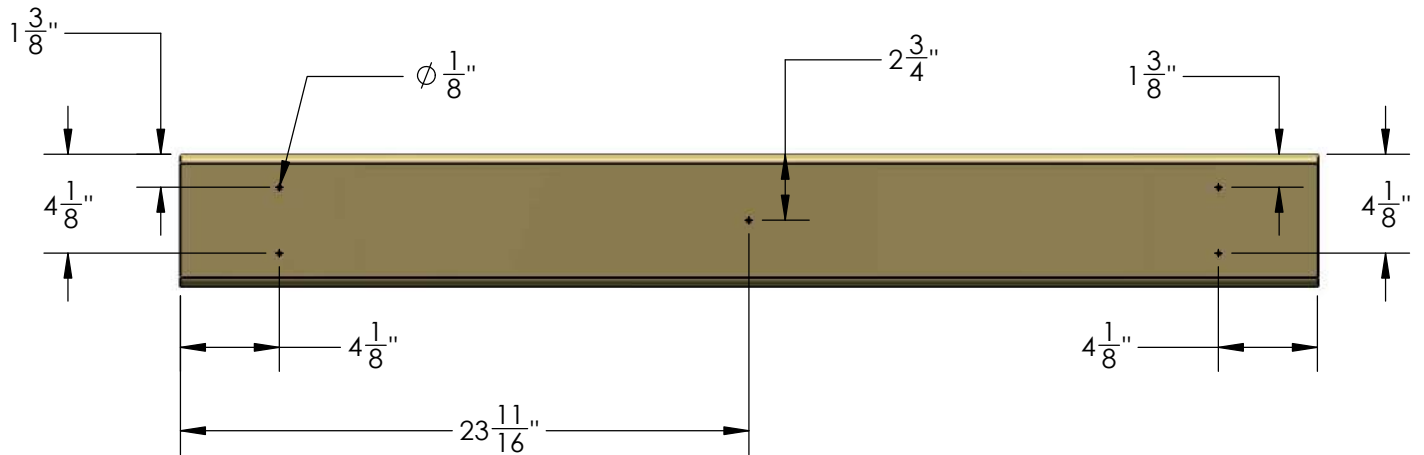
5: USING TWO 2-1/2" WOOD SCREWS, INSTALL THE 2 X 4 X 70" CENTER DECK SUPPORT THROUGH THE OUTSIDE OF THE 2 X 6, AND INTO THE END OF THE CENTER DECK SUPPORT. REPEAT THIS STEP ON THE OPPOSITE END OF THE FORT.



STEP 10: DECK BOARDS

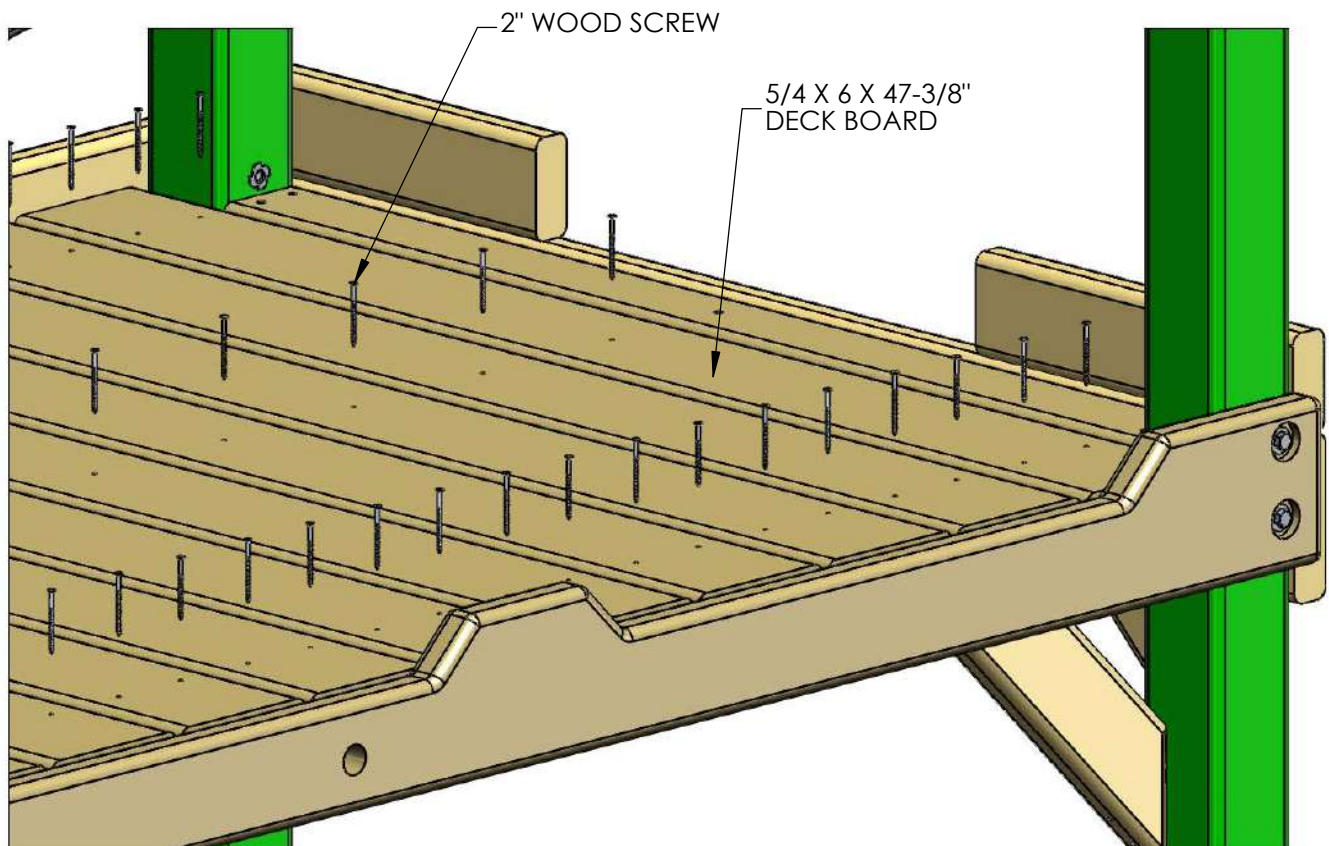
THE FOLLOWING STEP IS RECOMMENDED TO PREVENT POSSIBLE SPLITS IN THE WOOD

1: PRE-DRILL THE ENDS OF THE DECK BOARDS TO PREVENT INSTALLATION DAMAGE. PRE-DRILL BOTH ENDS WITH A 1/8" DRILL BIT AT THE DIMENSIONS SHOWN BELOW.



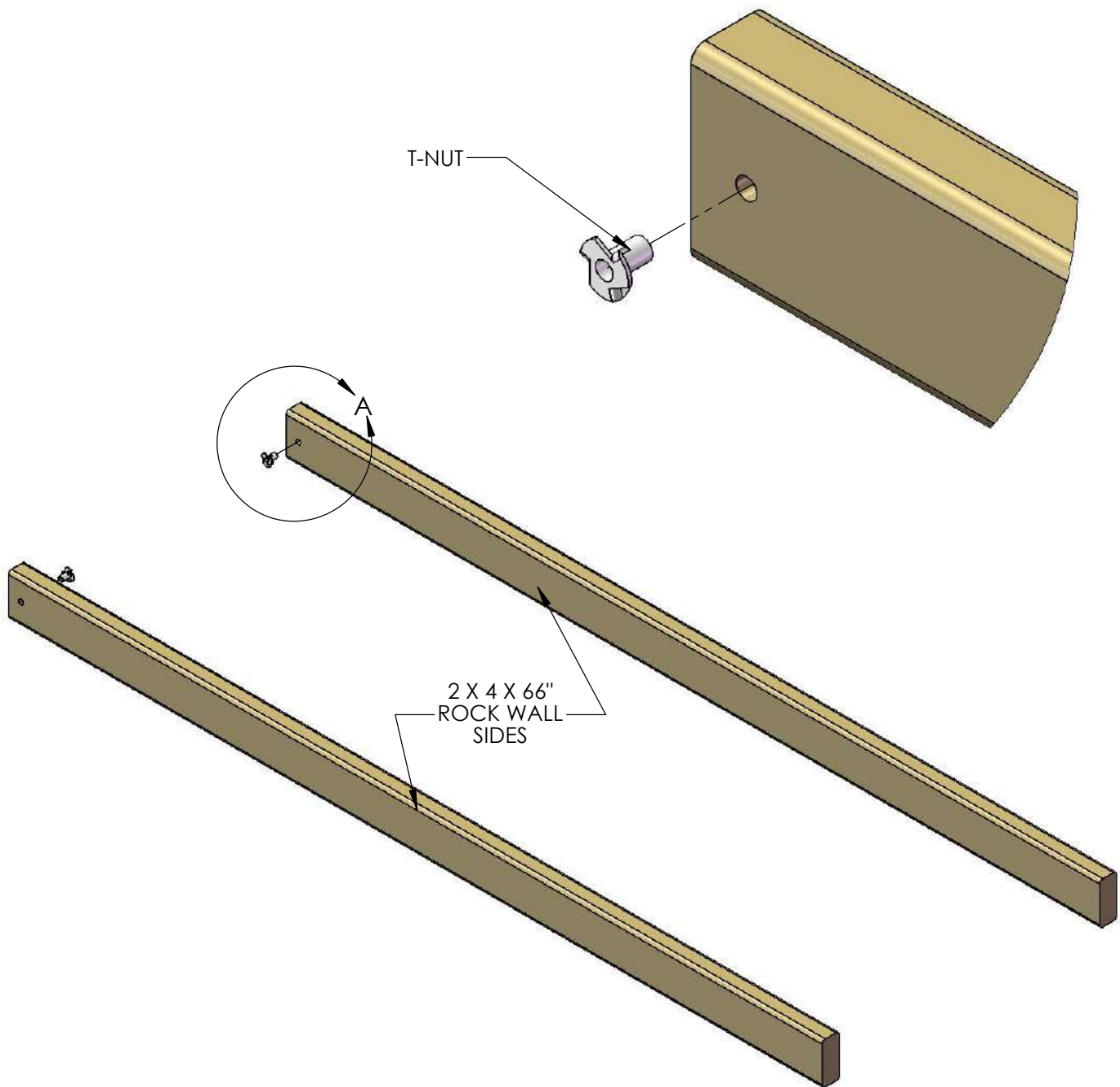
2: START WITH A 5/4 X 6 X 47-3/8" DECK BOARD AT ONE END OF THE FORT. CENTER THE BOARD BETWEEN THE FRONT FACE BOARD AND THE REAR BOTTOM PANEL BOARD AND ATTACH IT WITH 2" WOOD SCREWS THROUGH THE PREDRILED HOLES AND INTO THE DECK SUPPORT BELOW. LEAVE A UNIFORM (APPROX. 1/4") SPACE BETWEEN THE DECK BOARDS. NOTE: THE TOP OF THE SCREW HEAD SHOULD BE FLUSH TO THE TOP OF THE DECK BOARDS.

LAY ALL DECK BOARDS ACROSS THE DECK SUPPORTS BEFORE SECURING THEM TO THE FORT. THIS WILL ENSURE THAT YOU HAVE EQUAL SPACING ACROSS THE DECK.



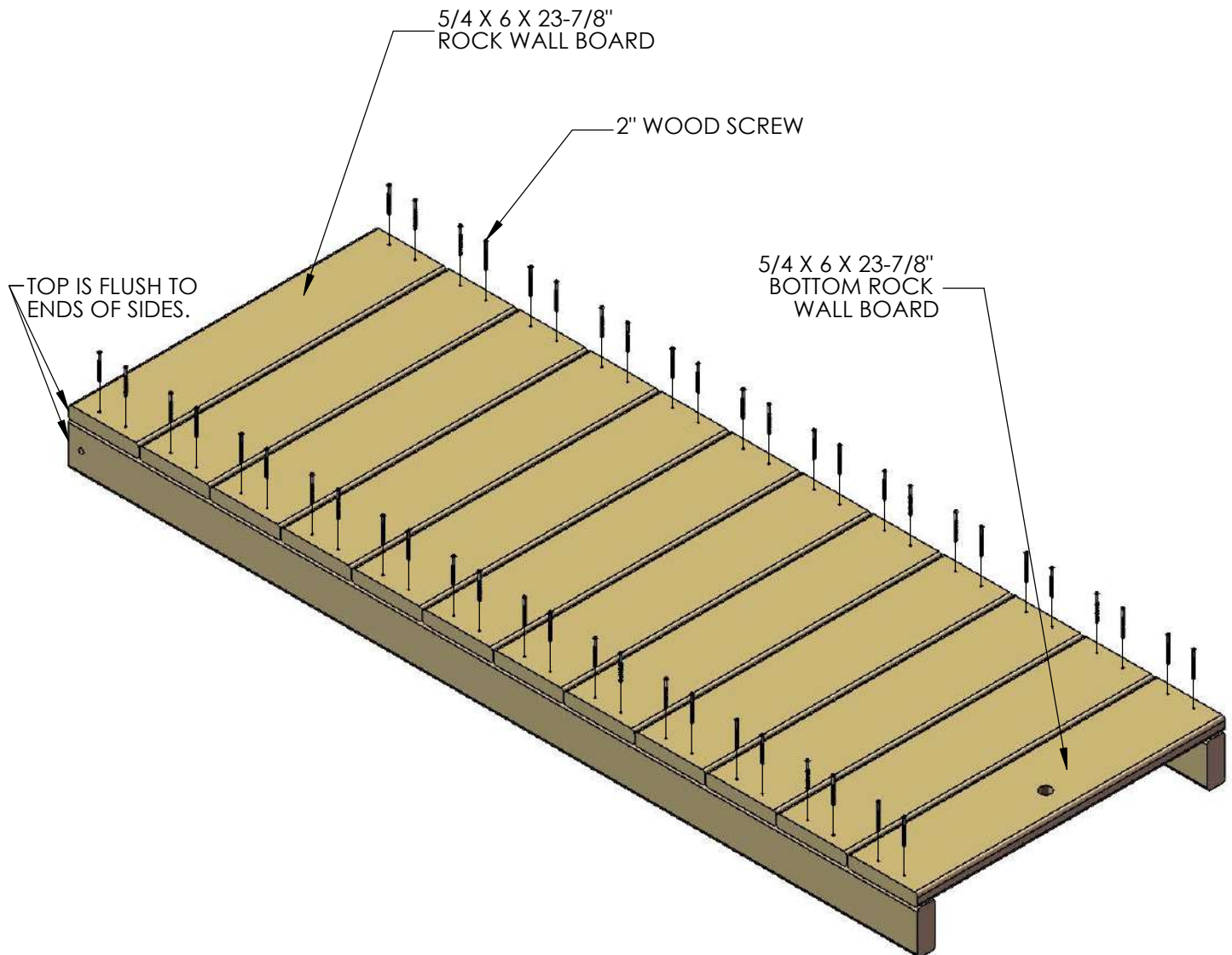
STEP 11: ROCK WALL

- 1: FIND TWO 2 X 4 X 66" ROCK WALL SIDES.
- 2: POSITION THE ROCK WALL SIDES SO THAT THE HOLES IN THE BOARDS ARE BOTH FACING THE SAME WAY.
- 3: INSERT T-NUTS INTO THE INSIDE OF THE ROCK WALL SIDES AND SET WITH A HAMMER.



STEP 12: ROCK WALL

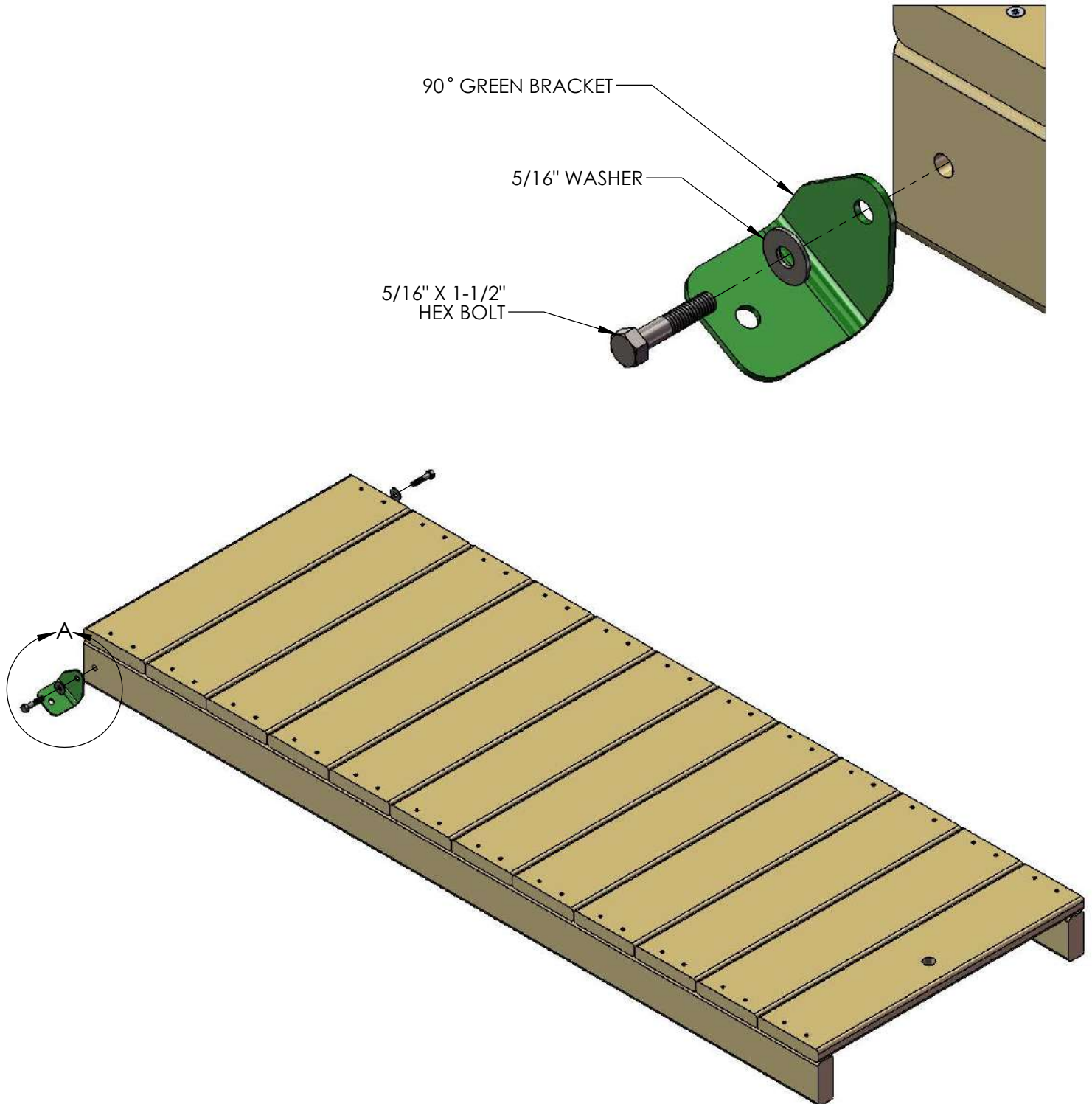
- 1: FIND ELEVEN 5/4 X 6 X 23-7/8" ROCK WALL BOARDS, AND ONE 5/4 X 6 X 23-7/8" BOTTOM ROCK WALL BOARD (1 HOLE).
- 2: STARTING FROM THE TOP, PLACE ONE ROCK WALL BOARD ON TOP OF THE ROCK WALL SIDES, FLUSH TO THE TOP OF THE ROCK WALL SIDES, AND ATTACH WITH TWO 2" WOOD SCREWS IN EACH SIDE.
- 3: CONTINUE DOWN THE ROCK WALL WITH THE REMAINING ROCK WALL BOARDS, FASTENING EACH BOARD WITH TWO 2" WOOD SCREWS ON EACH END.
- 4: THE FINAL BOARD WILL BE THE BOTTOM ROCK WALL BOARD WITH ONE HOLE. ATTACH WITH TWO 2" WOOD SCREWS PER SIDE.
- 5: IN SOME CASES, THERE WILL BE EXCESS LENGTH ON THE ROCK WALL SIDES. THIS IS DUE TO MILLING VARIATIONS, AND IS ALSO USED TO HELP LEVEL THE ROCK WALL SIDES ON UNEVEN GROUND.
- 6: ROCK WALL SIDES MAY NOT BE EVEN WITH THE BOTTOM ROCK WALL BOARD DUE TO MILLING VARIATIONS AND WOOD SHRINKAGE.



STEP 13: ROCK WALL

1: FASTEN THE 90° GREEN BRACKET TO THE ROCK WALL SIDES WITH 5/16" X 1-1/2" HEX BOLTS AND 5/16" WASHERS.

2: DO NOT FULLY TIGHTEN THE HEX BOLTS INTO THE T-NUTS AT THIS TIME.

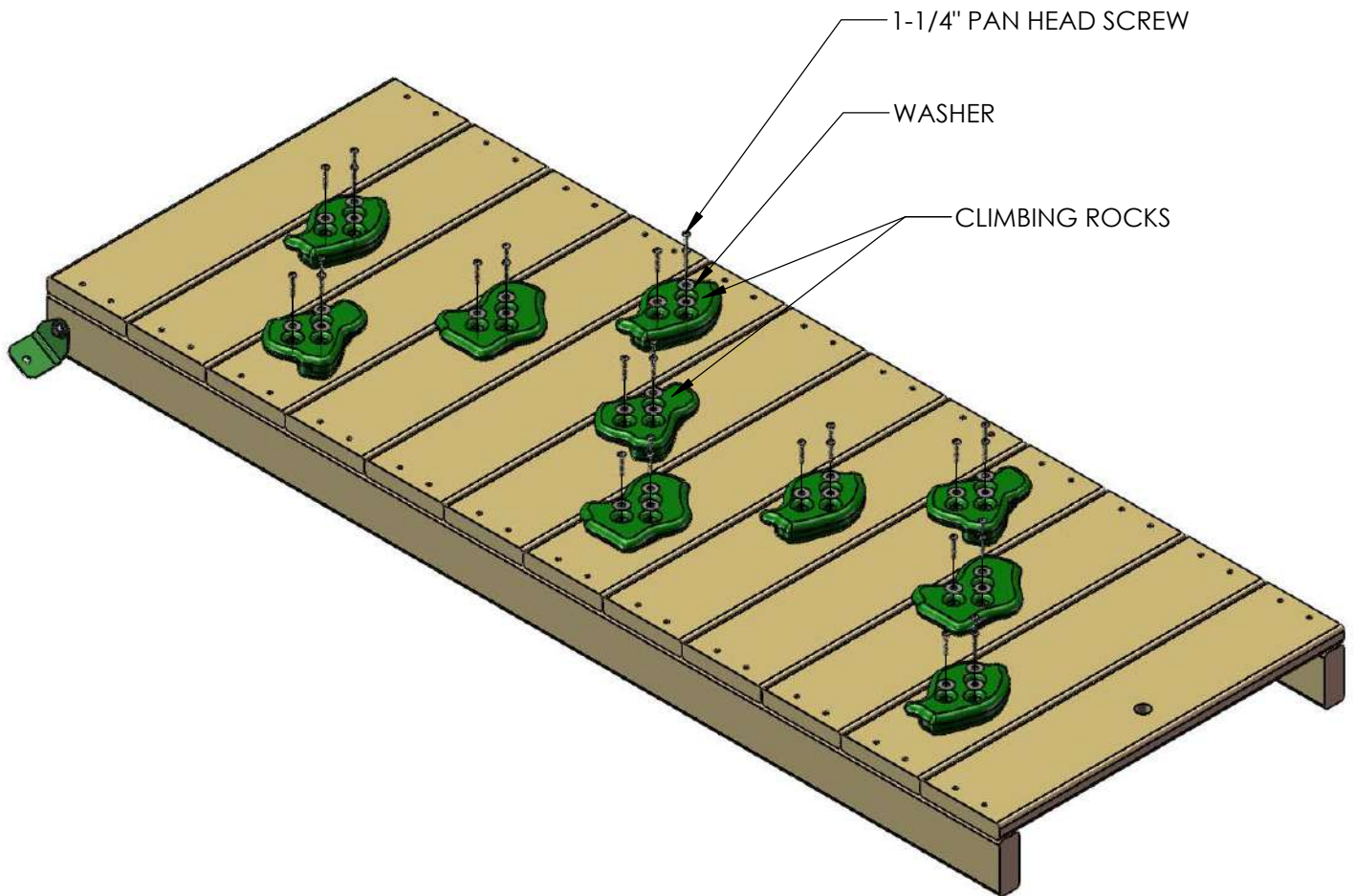


STEP 14: ROCK WALL

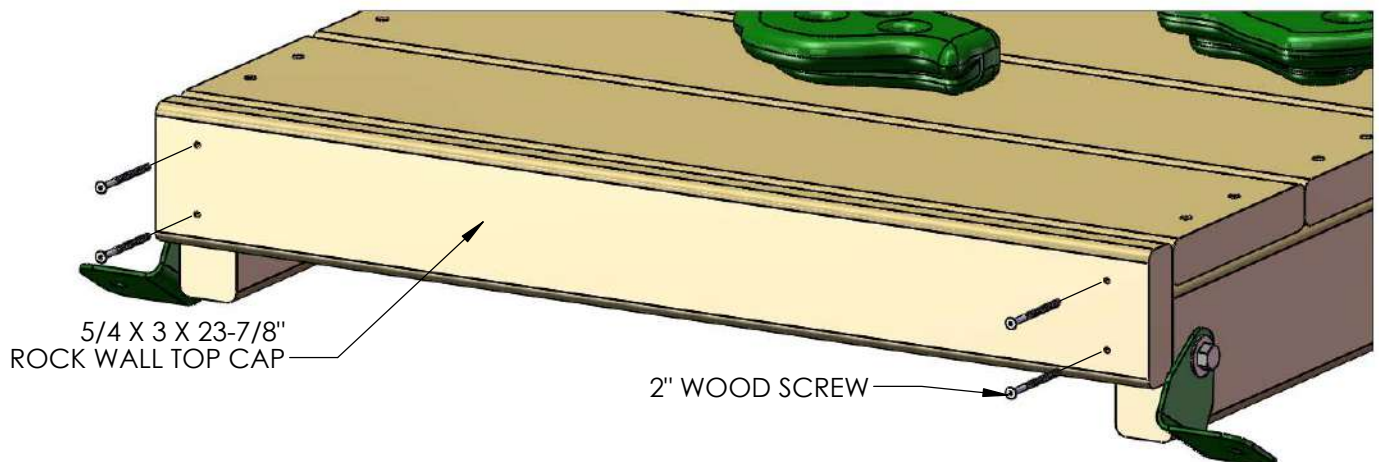
1: FIND TEN ROCKS AND THIRTY 1-1/4" PAN HEAD SCREWS WITH WASHERS.

2: MOUNT THE ROCKS IN A STAGGERED MANNER ON THE ROCK WALL BOARDS. THREE PAN HEAD SCREWS AND WASHERS WILL SECURE EACH ROCK TO THE WALL.

NOTE: THE IMAGE SHOWN BELOW IS A GENERIC ARRANGEMENT OF ROCKS ON THE ROCK WALL. YOUR ACTUAL CONFIGURATION MAY BE DIFFERENT THAT WHAT YOU SEE BELOW. ROCKS CAN BE ARRANGED IN ANY PATTERN AS LONG AS THEY WILL ALLOW PROPER ACCESS TO THE FORT. BE CREATIVE!



3: PLACE THE 5/4 X 3 X 23-7/8" ROCK WALL TOP CAP ON TOP OF THE ROCK WALL SIDES. FASTEN THE ROCK WALL TOP CAP TO THE ROCK WALL SIDES WITH 2" WOOD SCREWS.



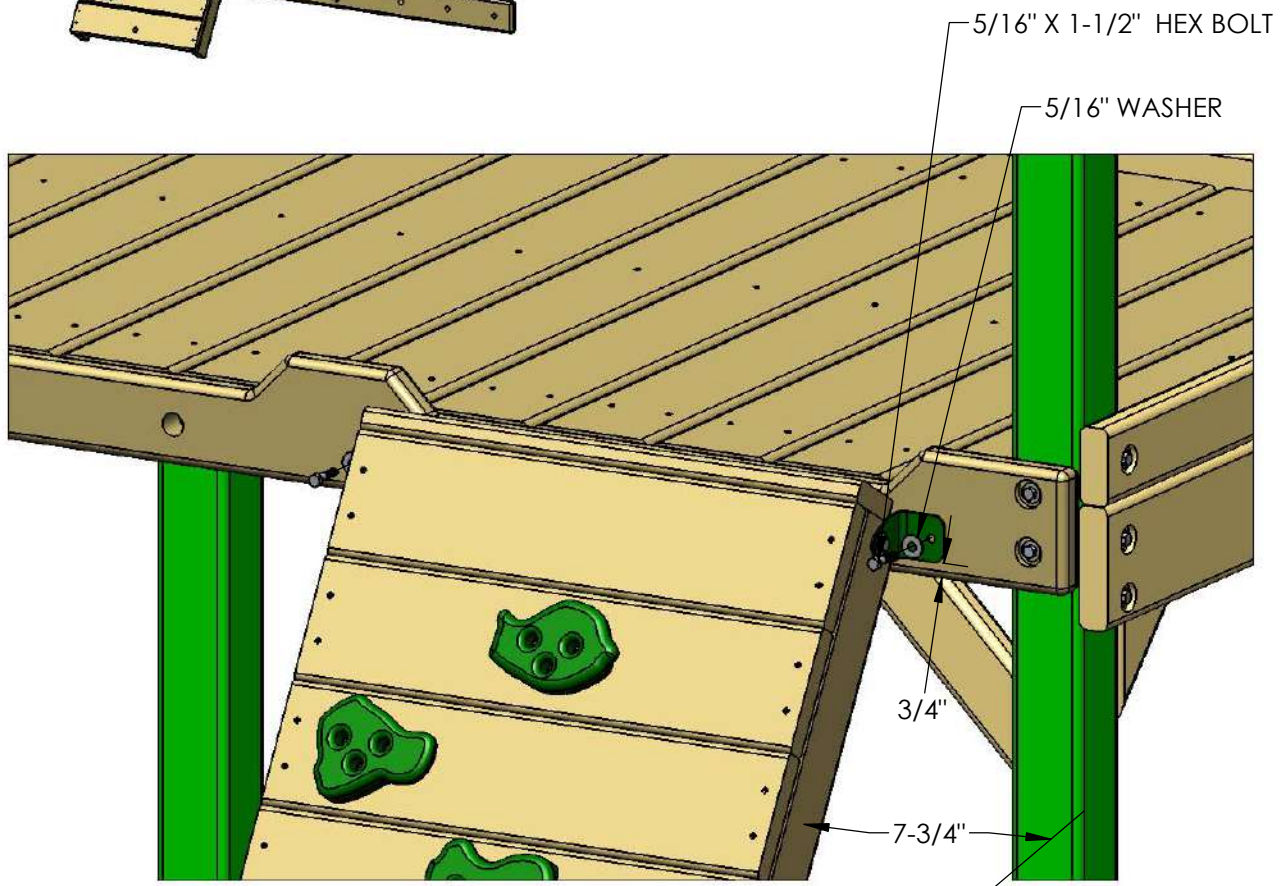
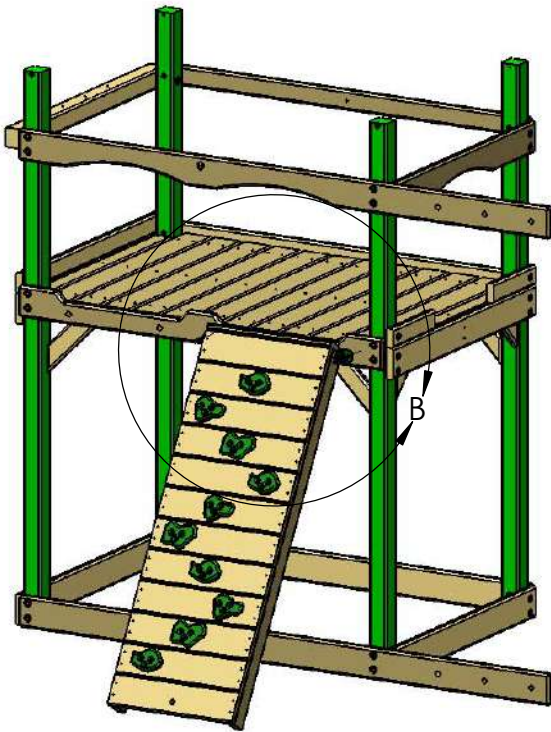
STEP 15: ATTACHING THE ROCK WALL

1: PLACE THE ROCK WALL INTO POSITION ON THE FRONT - RIGHT OF THE FORT AS SHOWN BELOW. THE GREEN BRACKETS SHOULD BE 3/4" ABOVE THE BOTTOM OF THE FRONT FACE BOARD. USING THE 90° GREEN BRACKETS AS A TEMPLATE; DRILL A 3/8" HOLE THROUGH THE BOTTOM PANEL BOARD.

2: GO UNDERNEATH THE DECK TO INSERT A T-NUT INTO THE BACKSIDE OF THE 3/8" HOLES IN THE FRONT FACE BOARD.

3: ATTACH THE ROCK WALL WITH 5/16 X 1-1/2" BOLTS AND 5/16" WASHERS.

4: WHEN THE BRACKETS ARE SECURE, AND THE ROCK WALL IS IN ITS FINAL POSITION; TIGHTEN THE 5/16 X 1-1/2" BOLTS ON THE ROCK WALL SIDES.



STEP 16: CLIMBING RAMP

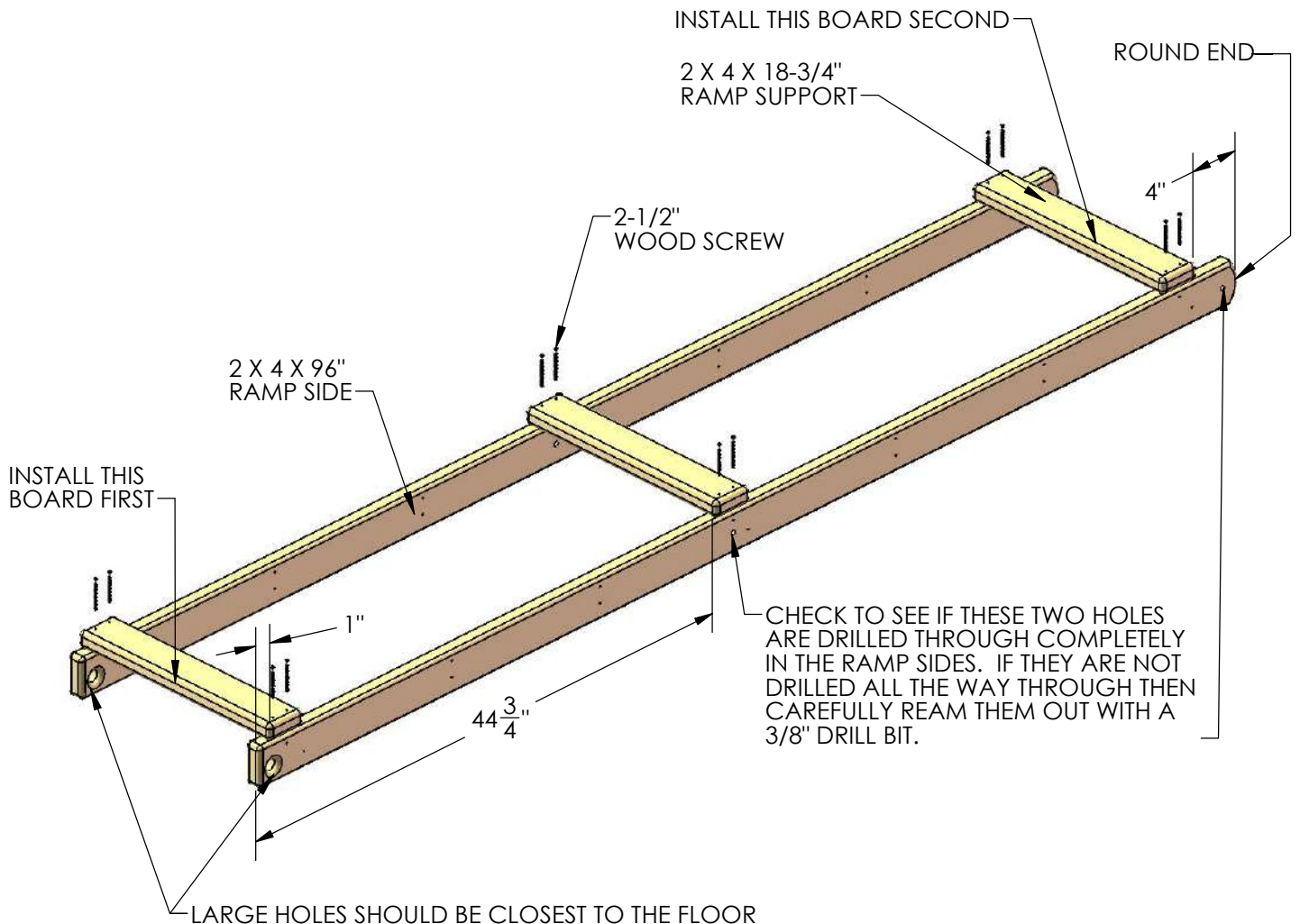
1: LAY OUT THE 2 X 4 X 96" RAMP SIDE BOARDS MAKING SURE THE LARGE HOLES ON THE ENDS ARE CLOSEST TO THE FLOOR.

2: FIRST PLACE ONE 2 X 4 X 18-3/4" RAMP SUPPORT BOARD AT THE SQUARE END OF THE 2 X 4 X 96" RAMP SIDE BOARDS. OFFSET THE BOARD 1" FROM THE END. FASTEN THE RAMP SUPPORT BOARD TO THE RAMP SIDE BOARDS WITH TWO 2-1/2" WOOD SCREWS PER SIDE.

3: SECOND PLACE ONE 2 X 4 X 18-3/4" RAMP SUPPORT BOARD AT THE ROUND END OF THE 2 X 4 X 96" RAMP SIDE BOARDS. OFFSET THE BOARD 4" FROM THE ROUND END. FASTEN THE RAMP SUPPORT BOARD TO THE RAMP SIDE BOARDS WITH TWO 2-1/2" WOOD SCREWS PER SIDE.

4: PLACE THE REMAINING 2 X 4 X 18-3/4" RAMP SUPPORT BOARD ACROSS THE RAMP SIDE BOARDS IN THE MIDDLE, 44-3/4" FROM THE SQUARE END AND FASTEN WITH TWO 2-1/2" WOOD SCREWS PER SIDE.

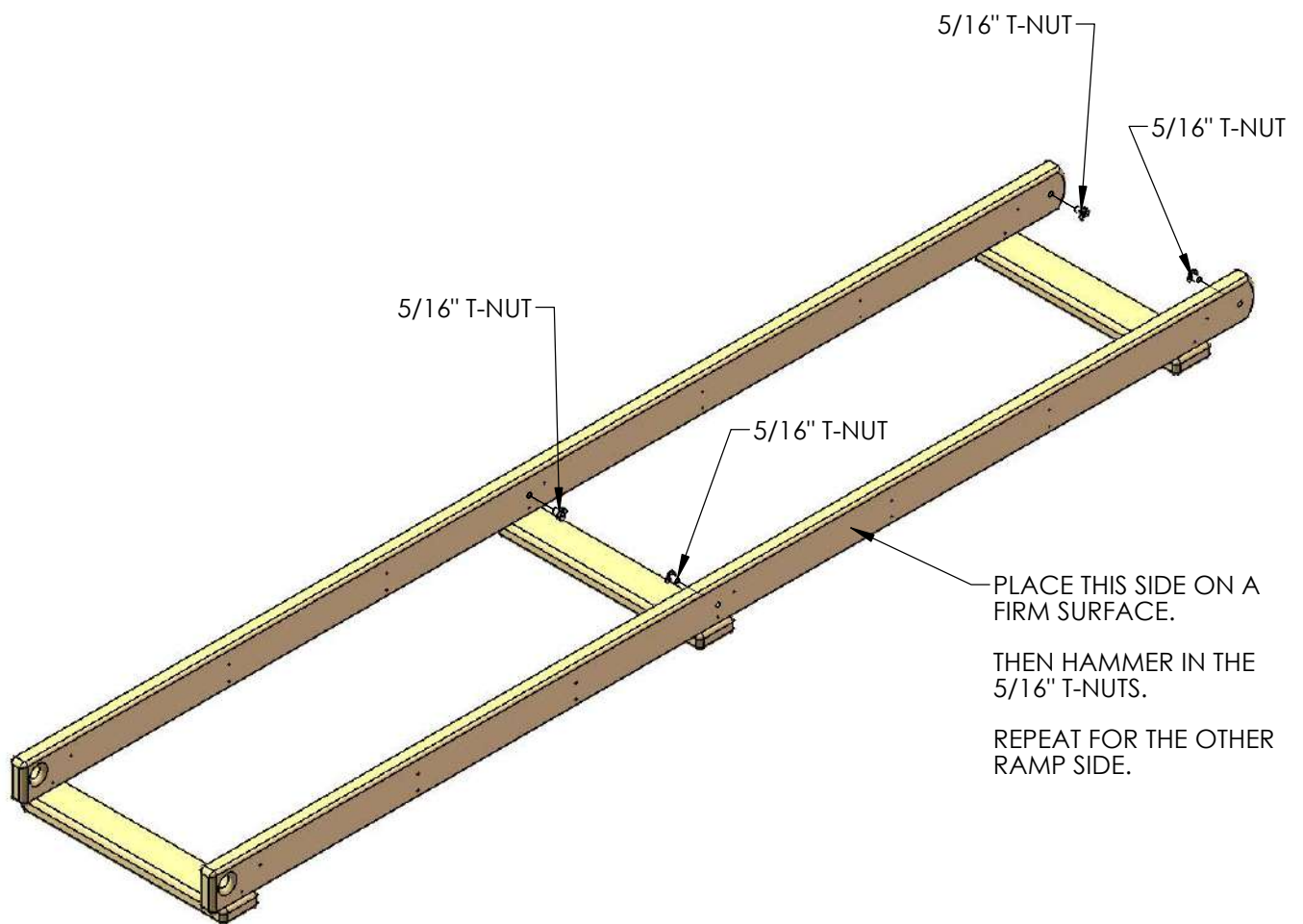
NOTE: CLIMBING RAMP TO BE INSTALLED INSTEAD OF LADDER ON THIS MODEL. THE LADDER PARTS ARE INCLUDED IN THE PACKAGE BUT ARE **NOT** USED.



STEP 16A: CLIMBING RAMP

1: PLACE THE RAMP SIDE ON A FIRM LEVEL SURFACE. HAMMER A 5/16" T-NUT INTO EACH HOLE ON THE INSIDE OF THE RAMP SIDE.

2: REPEAT FOR THE OTHER RAMP SIDE.

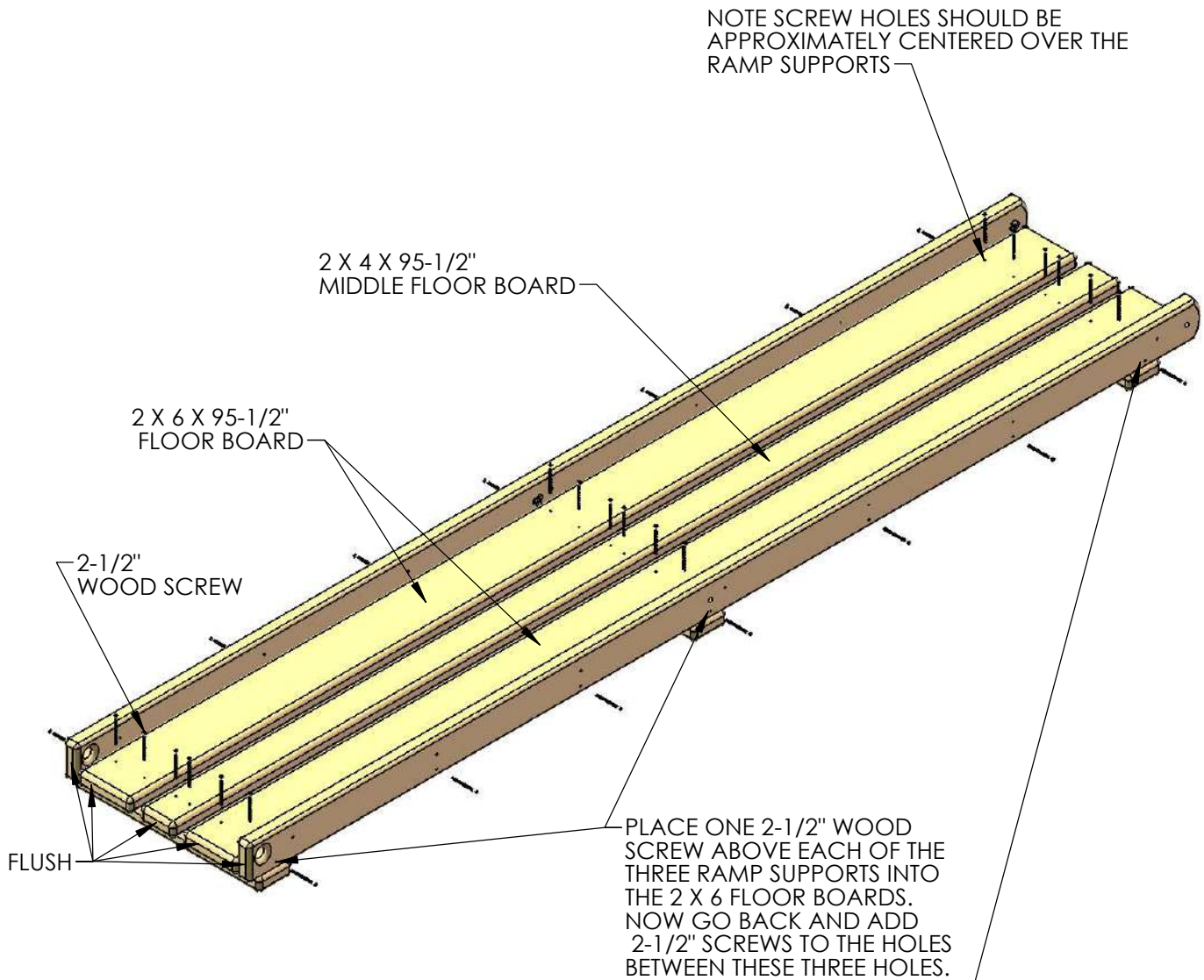


STEP 17: CLIMBING RAMP

1: PLACE ONE 2 X 6 X 95-1/2" FLOOR BOARD AGAINST EACH OF THE RAMP SIDE BOARDS. FASTEN THE FLOOR BOARDS TO THE RAMP SUPPORT BOARDS WITH TWO 2-1/2" WOOD SCREWS PER SUPPORT. THE BOARDS SHOULD BE FLUSH AT THE SQUARE END OF THE RAMP SIDES.

2: PLACE THE 2 X 4 X 95-1/2" MIDDLE FLOOR BOARD ON THE CENTER OF THE RAMP. FASTEN THE FLOOR BOARD TO THE RAMP SUPPORT BOARDS WITH TWO 2-1/2" WOOD SCREWS PER RAMP SUPPORT.

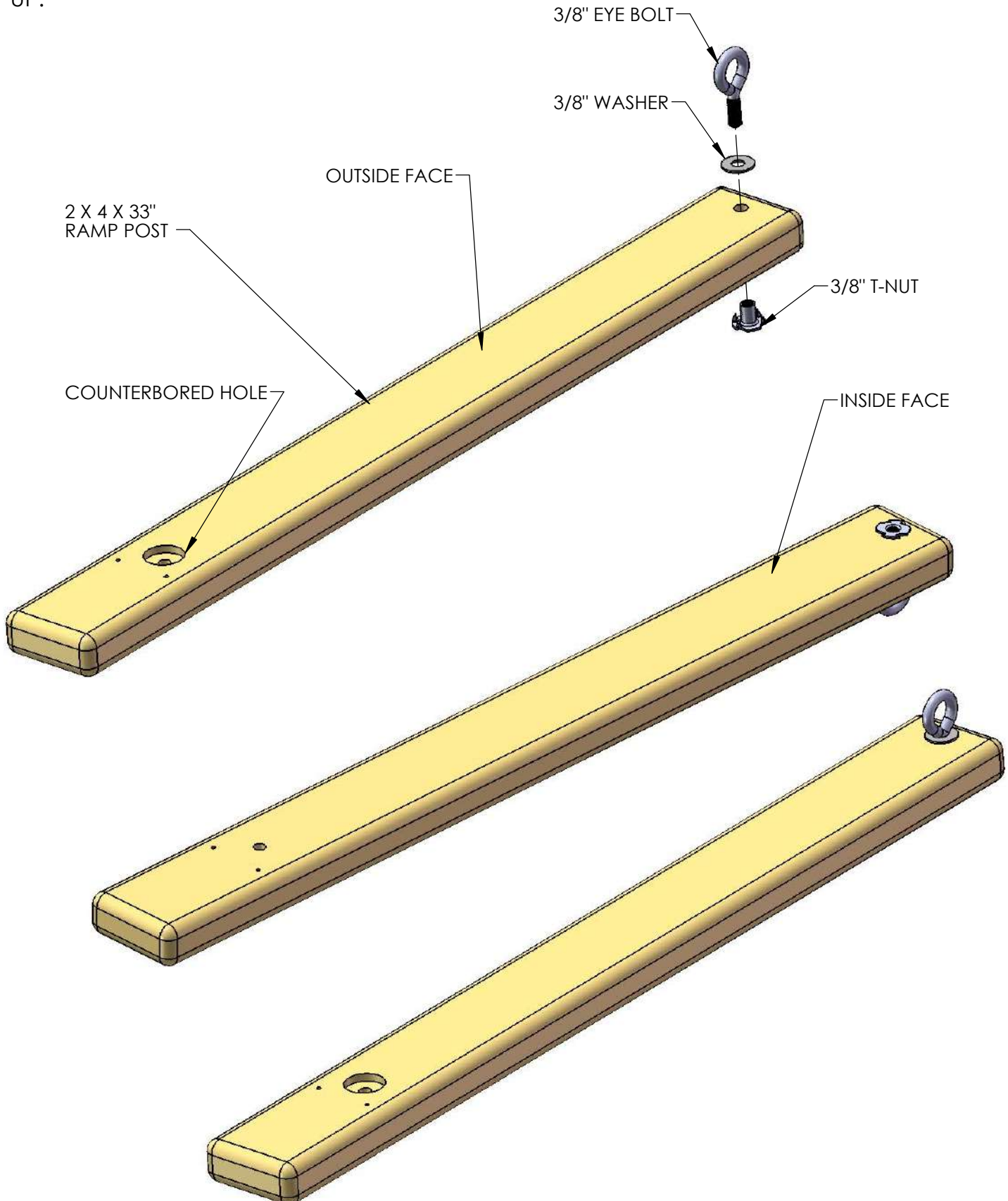
3: ABOVE EACH OF THE RAMP SUPPORTS PLACE ONE 2-1/2" WOOD SCREW THROUGH THE RAMP SIDE BOARDS INTO THE 2 X 6 FLOOR BOARDS. BETWEEN EACH RAMP SUPPORT, INSTALL TWO MORE 2-1/2" WOOD SCREWS THROUGH THE RAMP SIDE INTO THE FLOOR BOARD.



STEP 17A: CLIMBING RAMP

1: HAMMER A 3/8" T-NUT INTO THE INSIDE OF EACH POST. NOTE THIS IS THE SIDE OF THE POST THAT DOES NOT HAVE THE COUNTERBORED HOLE.

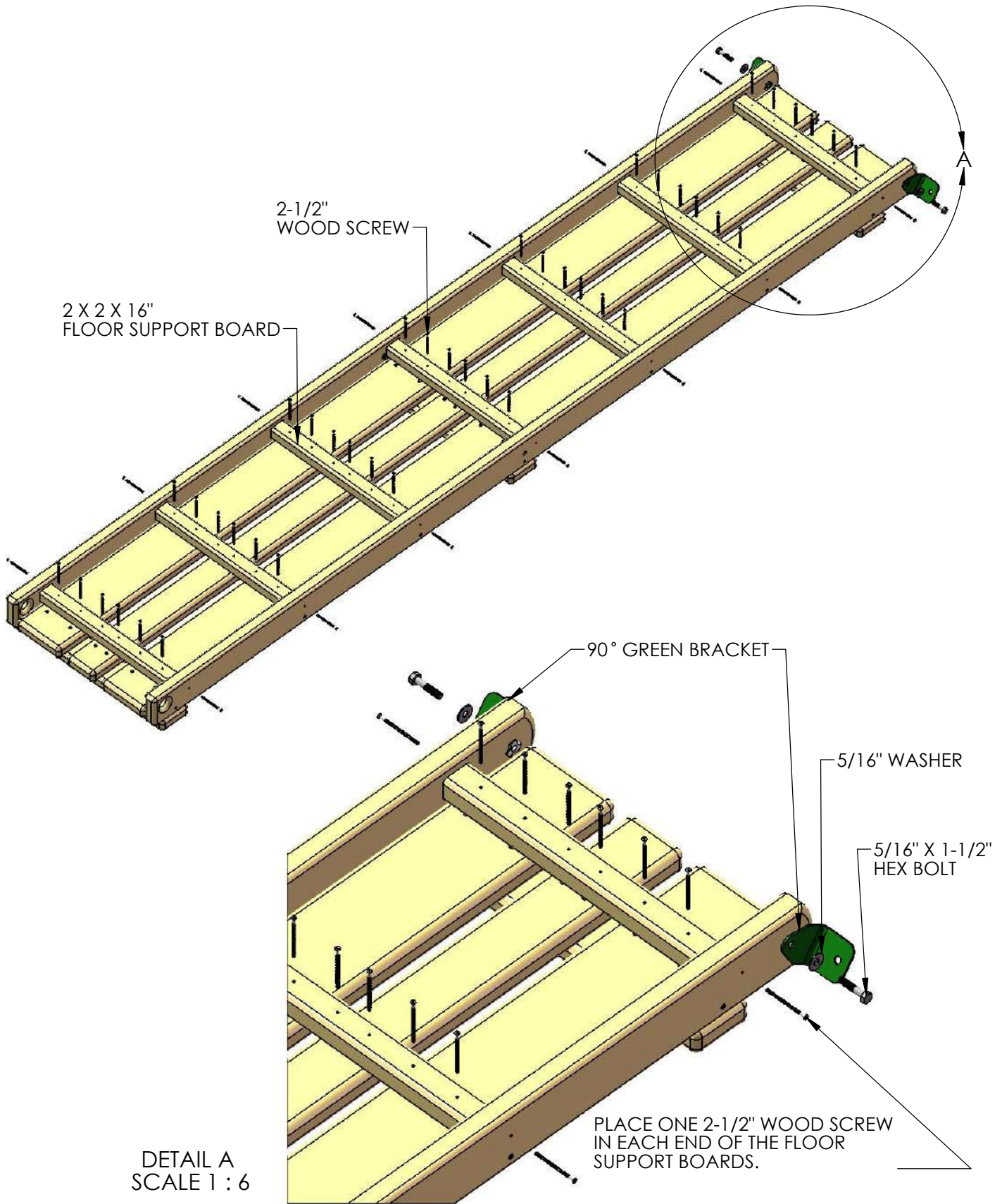
2: SCREW A 3/8" EYE BOLT WITH A WASHER INTO THE T-NUT SO IT LOOKS LIKE THE BOTTOM PICTURE. DO NOT TIGHTEN THE EYE BOLT SO TIGHTLY THAT IT CRACKS THE WOOD. JUST SNUG IT UP.



STEP 18: CLIMBING RAMP

1: ATTACH THE 2 X 2 X 16" FLOOR SUPPORT BOARDS TO THE FLOOR BOARDS WITH 2-1/2" WOOD SCREWS. (SEE DETAIL VIEW BELOW)

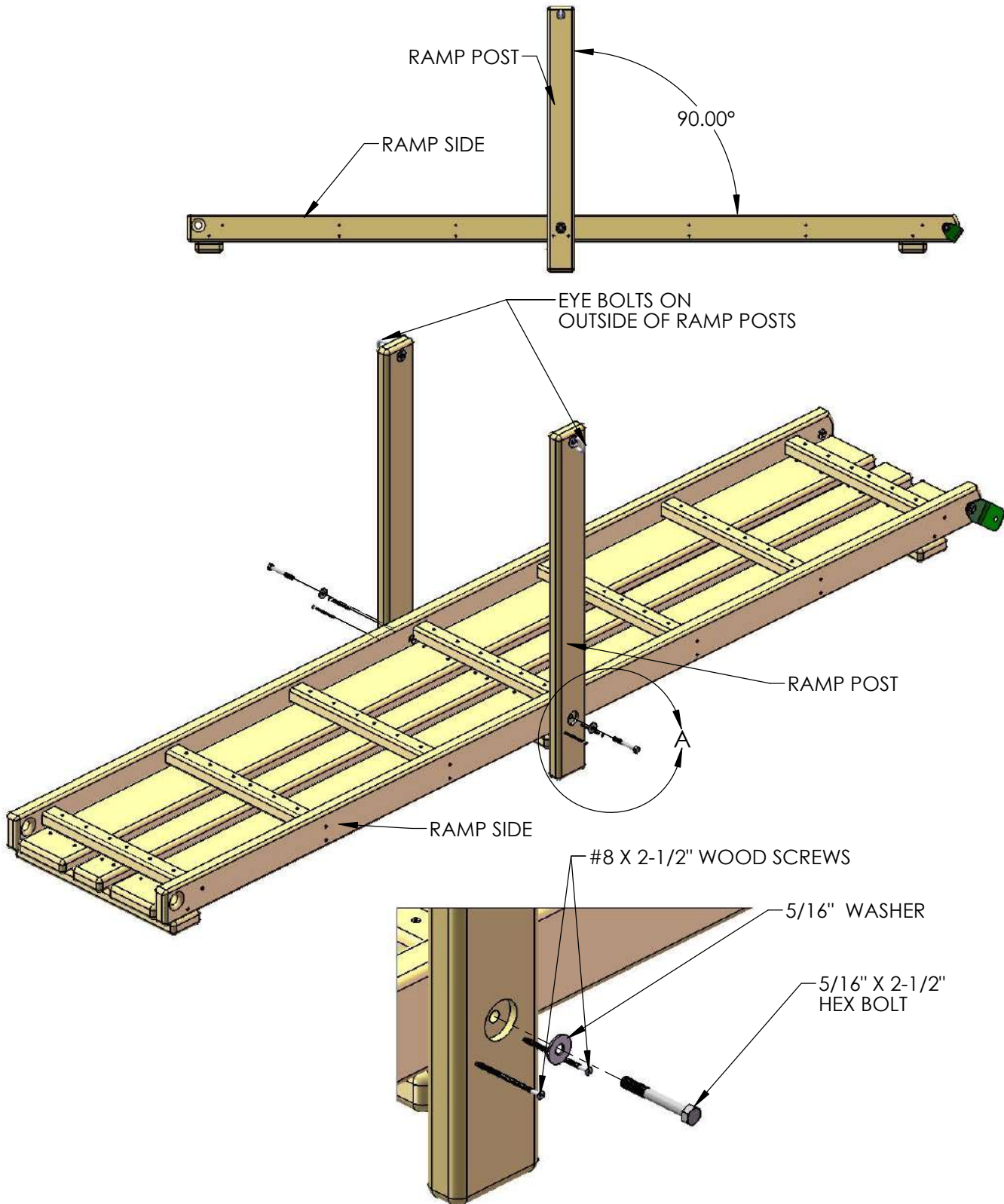
2: FASTEN THE 90° GREEN BRACKET TO THE RAMP SIDES WITH 5/16" X 1-1/2" HEX BOLTS AND 5/16" WASHERS.



STEP 18A: CLIMBING RAMP

1: ATTACH A RAMP POST TO EACH RAMP SIDE WITH 5/16" X 2-1/2" HEX BOLTS AND 5/16" WASHERS. THE EYE BOLTS SHOULD BE ON THE OUTSIDE OF THE RAMP POSTS

2: SQUARE THE RAMP POST TO THE RAMP SIDE AND DRIVE IN TWO 2-1/2" WOOD SCREWS TO SECURE IT.



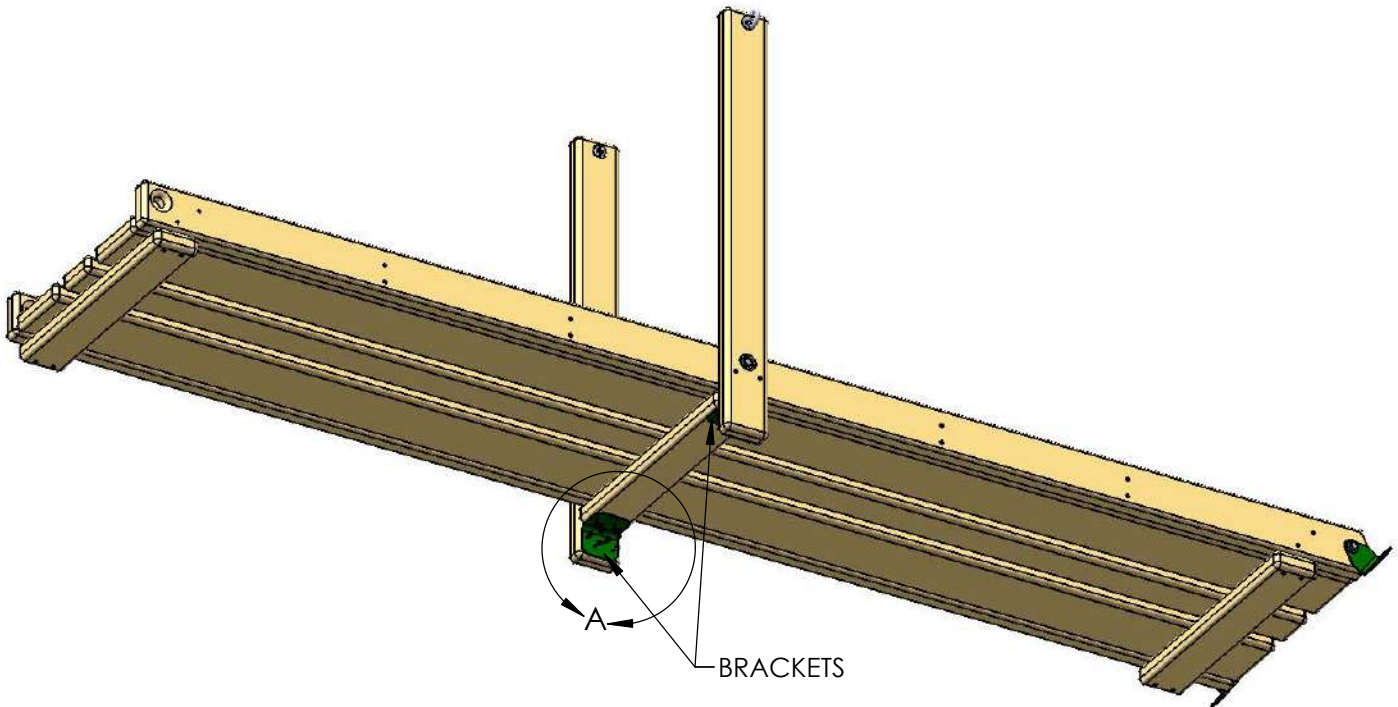
DETAIL A
SCALE 1 : 4

STEP 18B: CLIMBING RAMP

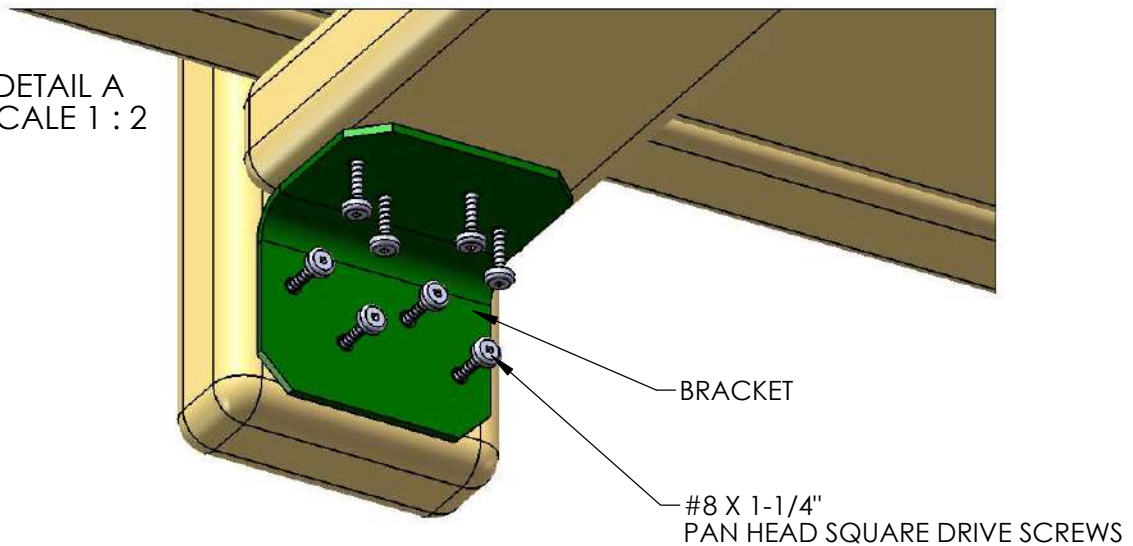
1: FASTEN A BRACKET AS SHOWN UNDERNEATH THE RAMP TO THE RAMP POST AND THE RAMP SUPPORT.

2: USE #8 X 1-1/4" PAN HEAD SQUARE DRIVE SCREWS TO ATTACH THE BRACKET.

3: REPEAT FOR THE RAMP POST ON THE OTHER SIDE.



DETAIL A
SCALE 1 : 2



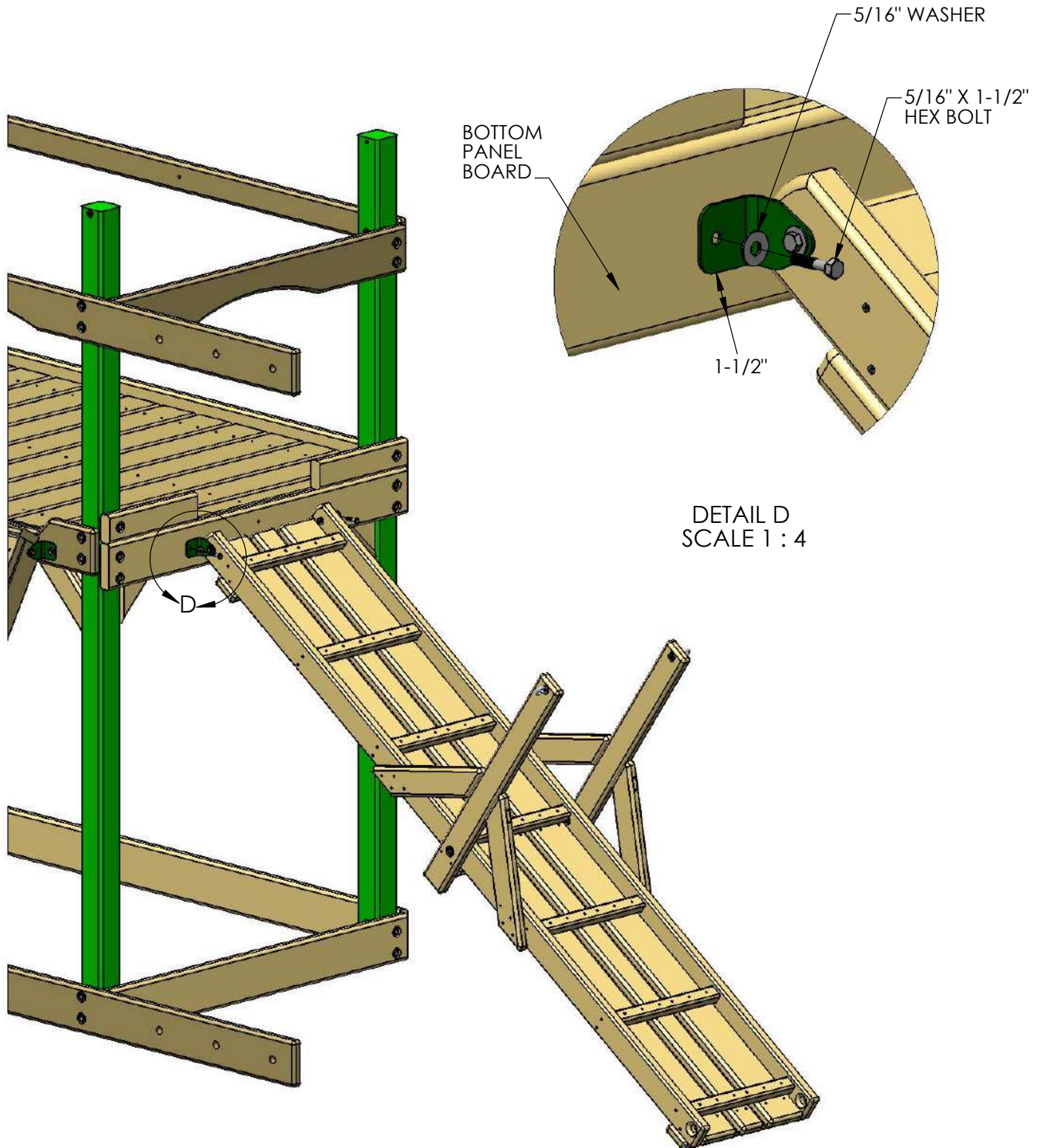
STEP 19: CLIMBING RAMP TO FORT

1: PLACE THE CLIMBING RAMP INTO POSITION CENTERED ON THE RIGHT SIDE ON THE FORT. THE BOTTOM EDGE OF THE GREEN BRACKETS SHOULD BE 1-1/2" ABOVE THE BOTTOM OF THE BOTTOM PANEL BOARD. USING THE BRACKETS AS A TEMPLATE DRILL A 3/8" HOLE THROUGH THE BOTTOM PANEL BOARD.

2: FROM THE UNDERSIDE OF THE DECK INSERT A T-NUT INTO THE BACKSIDE OF THE 3/8" HOLES IN THE BOTTOM PANEL BOARD.

3: ATTACH THE CLIMBING RAMP WITH 5/16 X 1-1/2" HEX BOLTS AND 5/16" WASHERS.

4: WHEN THE 90° BRACKETS ARE SECURE, AND THE RAMP IS IN ITS FINAL POSITION; TIGHTEN THE 5/16 X 1-1/2" BOLTS ON THE RAMP SIDES.



STEP 19A: ROPE MOUNT

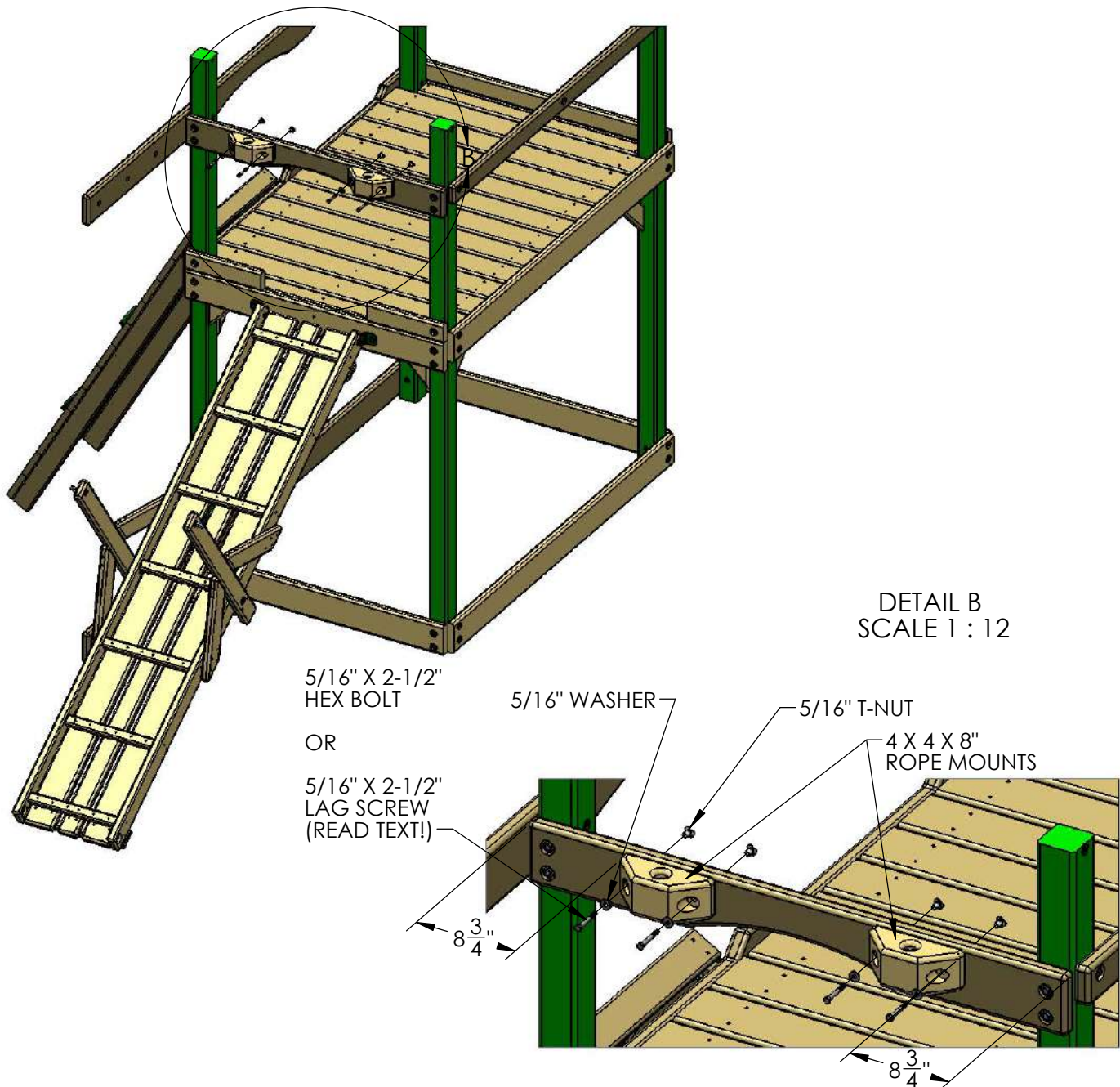
1: PLACE THE 4 X 4 X 8" ROPE MOUNTS ONTO THE FRONT OF THE ARCHED TOP PANEL BOARD FLUSH TO THE TOP. EACH ROPE MOUNT SHOULD BE 8-3/4" FROM THE END OF THE ARCHED TOP PANEL BOARD AS SHOWN IN DETAIL B BELOW.

YOU MAY CHOOSE TO USE 5/16" X 2-1/2" LAG SCREWS WITH WASHERS OR T-NUTS WITH BOLTS TO ATTACH THE ROPE BLOCKS. IF YOU USE LAG SCREWS THEN CONTINUE READING BELOW. IF YOU USE BOLTS THEN GO TO 2 BELOW.

IF YOU CHOOSE THE LAG SCREW METHOD THEN PRE-DRILL 9/64" HOLES BY 1" DEEP USING THE ROPE MOUNT HOLES AS A GUIDE. THEN ATTACH THE MOUNTS WITH 5/16" X 2-1/2" LAG SCREWS WITH WASHERS. DO NOT OVER-TIGHTEN.

2: USE THE HOLES AS A GUIDE TO DRILL 3/8" DIAMETER HOLES THROUGH THE ROPE LADDER SUPPORT. DRILL CAREFULLY SO YOU DO NOT SPLINTER THE WOOD AS THE DRILL BIT EXITS THE OTHER SIDE. YOU MAY PLACE A SCRAP BLOCK OF WOOD ON THE BACK SIDE OF WHERE YOU ARE DRILLING TO PREVENT SPLINTERING, **BUT DO NOT PLACE YOUR HAND NEAR THE DRILLING AREA.**

3: HAMMER IN 5/16" T-NUTS INTO THE BACK SIDE OF THE HOLES AS SHOWN. NOW ATTACH THE ROPE MOUNTS WITH 5/16" X 2-1/2" HEX BOLTS AND 5/16" WASHERS.



STEP 19B: RAMP ROPE HANDRAILS

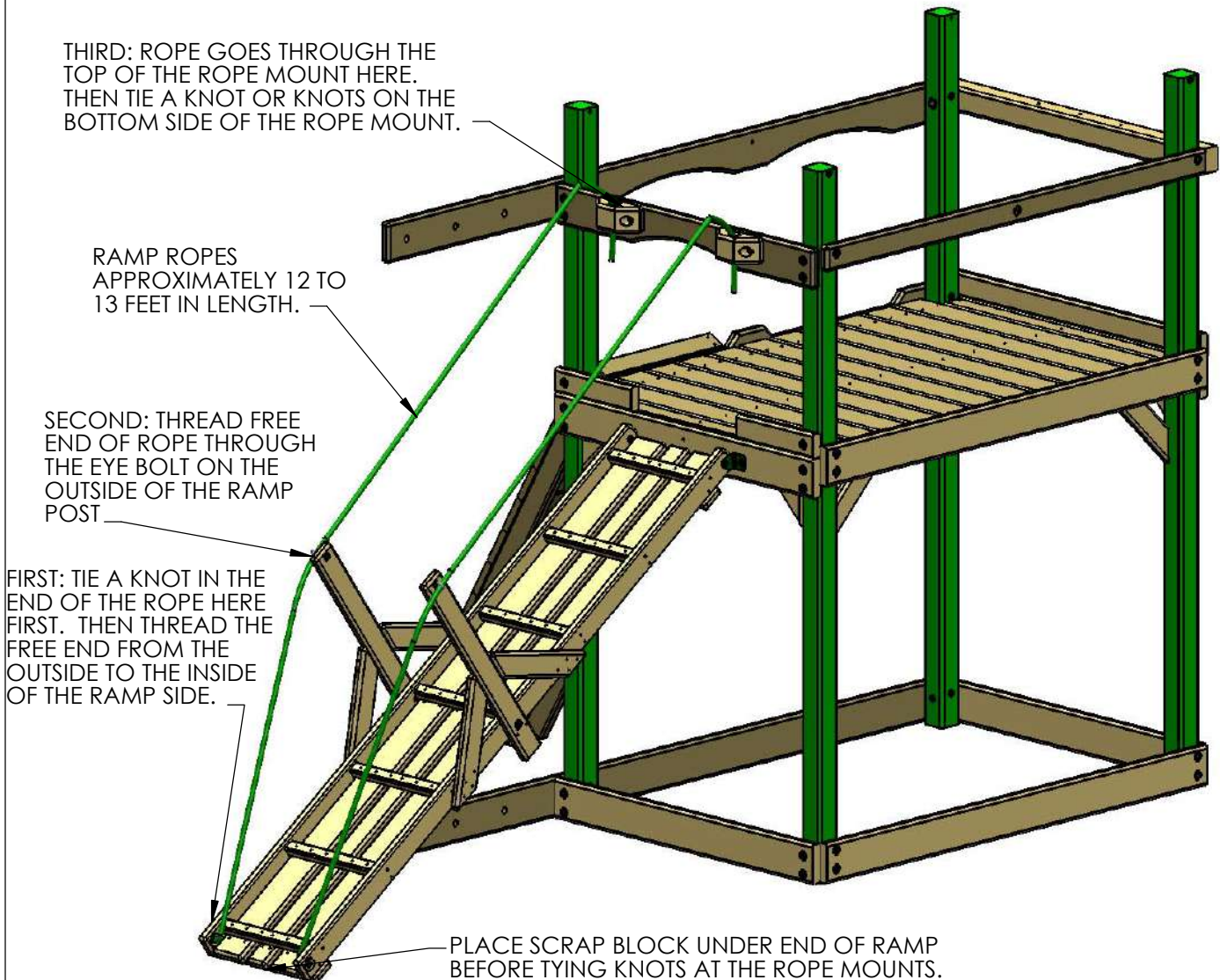
1: LOCATE THE RAMP ROPES THAT ARE IDENTICAL IN LENGTH. THEY SHOULD BE APPROXIMATELY 12 TO 13 FEET IN LENGTH. IF YOU HAVE FIVE 13 FOOT ROPES THAT IS FINE, HOWEVER IF TWO ARE 12 FEET THEN USE THEM.

2: TIE A KNOT IN ONE END OF A ROPE WITH THE END HANGING OUT ABOUT 2" FROM THE END OF THE KNOT. THREAD THE OTHER END OF THE ROPE THROUGH THE OUTSIDE OF THE RAMP SIDE. NOW THREAD IT THROUGH THE EYE BOLT. NOW THREAD IT THROUGH THE HOLE IN THE ROPE MOUNT ON THE ROPE LADDER SUPPORT. REPEAT THIS PROCESS FOR THE OTHER ROPE ON THE OTHER SIDE OF THE RAMP.

3: TO MAKE THE ROPE TIGHT PLACE A SCRAP BLOCK AROUND 4" THICK UNDER THE BOTTOM END OF THE RAMP TO ELEVATE IT. NOW TIE A KNOT IN THE END OF THE ROPES AT THE ROPE MOUNTS. REMOVE THE 4" SCRAP BLOCK FROM UNDER THE END OF THE RAMP. THE ROPES SHOULD TIGHTEN AND THE RAMP SHOULD BE ON THE GROUND. IF THE RAMP IS ELEVATED OFF THE GROUND THEN YOU SHOULD PUT A SMALLER BLOCK UNDER THE END OF THE RAMP AND THEN RETIE THE ENDS NEAR THE ROPE MOUNTS.

4: IF THERE IS ANY EXTRA LENGTH OF ROPE AT THE ROPE MOUNTS THEN TIE AN ADDITIONAL KNOT IN THE EXTRA LENGTH IF POSSIBLE.

****SAFETY CHECK**** - STAND ON THE END OF THE RAMP AT GROUND LEVEL WITH YOUR WEIGHT ON THE RAMP. GRAB EACH ROPE AND ATTEMPT TO WRAP THEM AROUND YOUR HAND. IF EITHER ROPE WRAPS AROUND YOUR HAND THEN IT IS TOO LOOSE, UNTIE THE ROPE AT THE ROPE MOUNT AND RETIE IT UNTIL IT NO LONGER WRAPS AROUND YOUR HAND.

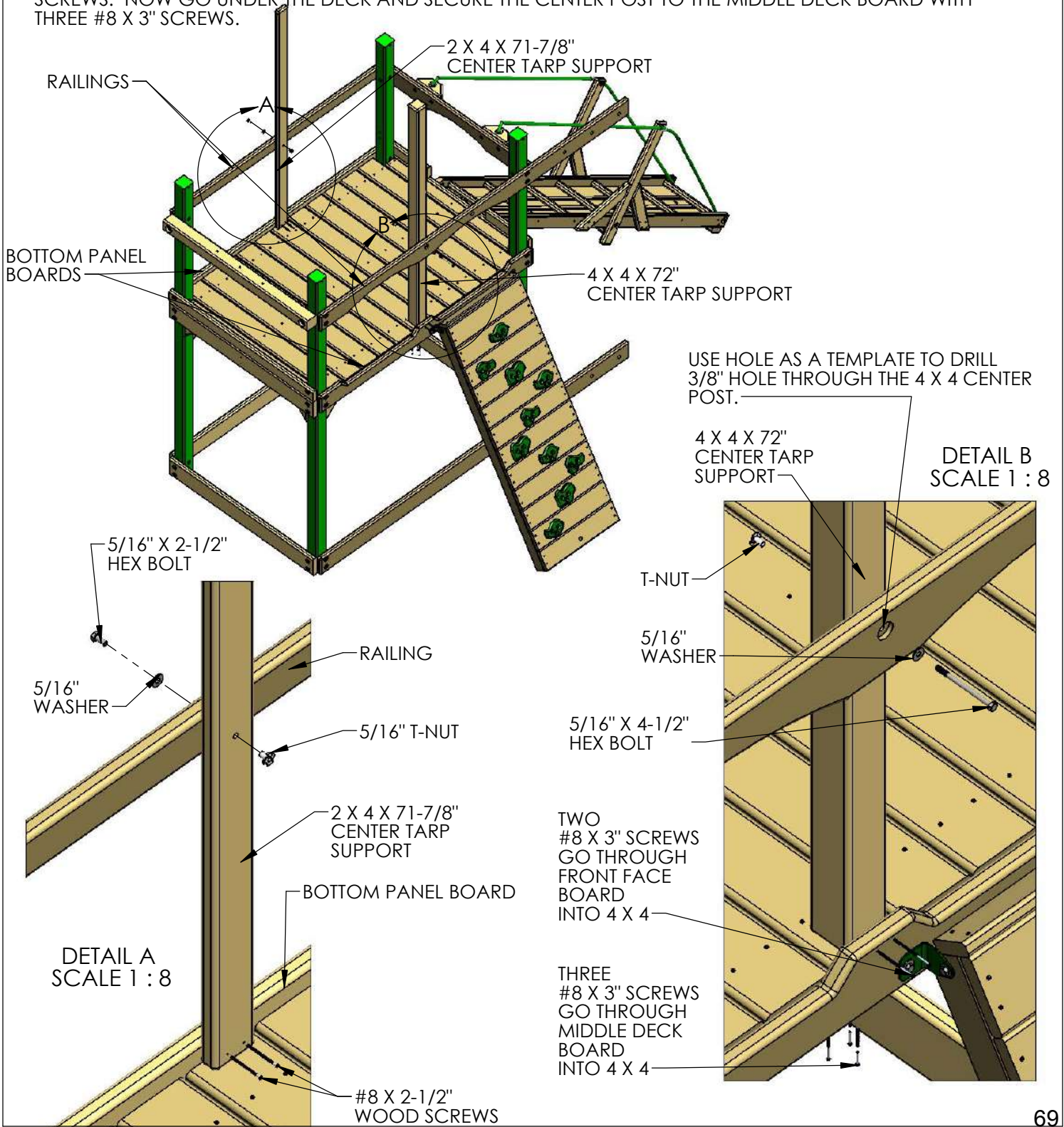


STEP 20: CENTER POSTS FRONT/REAR

1: HAMMER A T-NUT INTO THE HOLE OF THE 2 X 4 X 71-7/8" CENTER TARP SUPPORT.

2: PLACE THE CENTER POST INSIDE THE RAILING AT THE REAR OF THE PLAYSET. LINE UP THE HOLE IN THE CENTER POST WITH THE HOLE IN THE RAILING. FASTEN THE CENTER POST TO THE RAILING WITH A 5/16" X 2-1/2" HEX BOLT AND A 5/16" WASHER AT THE TOP. SQUARE THE CENTER POST TO THE DECK AND SECURE THE BOTTOM OF THE CENTER POST TO THE BOTTOM PANEL BOARD WITH #8 X 2-1/2" WOOD SCREWS.

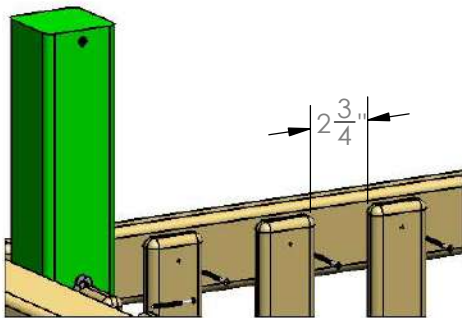
3: PLACE THE 4 X 4 X 72" CENTER TARP SUPPORT INSIDE THE RAILING AT THE FRONT OF THE PLAYSET. CENTER THE POST BEHIND THE HOLE. USE THE HOLE AS A TEMPLATE TO DRILL A 3/8" HOLE THROUGH THE CENTER POST. HAMMER A T-NUT INTO THE CENTER POST HOLE YOU JUST DRILLED. FASTEN THE CENTER POST TO THE RAILING WITH A 5/16" X 4-1/2" HEX BOLT AND 5/16" WASHER AT THE TOP. SQUARE THE CENTER POST TO THE DECK AND SECURE THE BOTTOM OF THE CENTER POST TO THE FRONT FACE BOARD WITH TWO #8 X 3" SCREWS. NOW GO UNDER THE DECK AND SECURE THE CENTER POST TO THE MIDDLE DECK BOARD WITH THREE #8 X 3" SCREWS.



STEP 21: PANEL SLATS

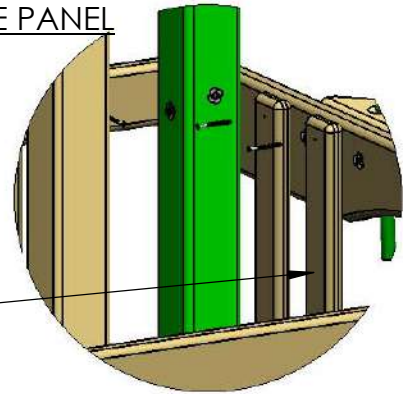
- 1: FIND TWENTY-TWO 5/4 X 2-5/8 X 28-1/4" PANEL SLATS.
- 2: PRE-DRILL THE SLATS 1" FROM EACH END ON CENTER WITH A 1/8" DRILL BIT.
- 3: INSTALL THE PANEL SLATS AT EQUAL LENGTHS. SEE DETAIL BELOW FOR MEASUREMENTS.
- 4: ATTACH THE PANEL SLATS TO THE FORT WITH 2" WOOD SCREWS IN THE PRE-DRILLED HOLES.

REAR PANEL SLAT SPACING



ROCK WALL SIDE PANEL

MAKE THIS SLAT FLUSH TO THE END OF THE 2 X 4 X 14" BOTTOM PANEL BOARD. SPACE THE NEXT SLAT EQUALLY BETWEEN THE FIRST SLAT AND THE CORNER POST.



5/4 X 2-5/8 X 28-1/4" PANEL SLAT

2" WOOD SCREW

REAR PANEL

LEAVE THIS SLAT OFF UNTIL AFTER INSTALLING THE TIRE SWING BEAM. ONCE THE TIRE SWING BEAM IS IN PLACE SECURE THIS SLAT FLUSH TO THE SIDE OF THE SWING BEAM.

ROCK WALL PANEL

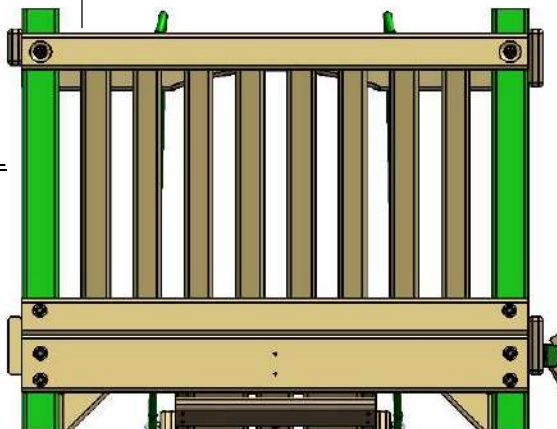
SWING BEAM PANEL

FRONT PANEL SLAT IS INSTALLED FLUSH TO THE NOTCH ON THE FRONT FACE BOARD.

LEAVE THIS SLAT OFF UNTIL AFTER THE CLATTER BRIDGE IS INSTALLED.

2 3/16" SPACING TYP.

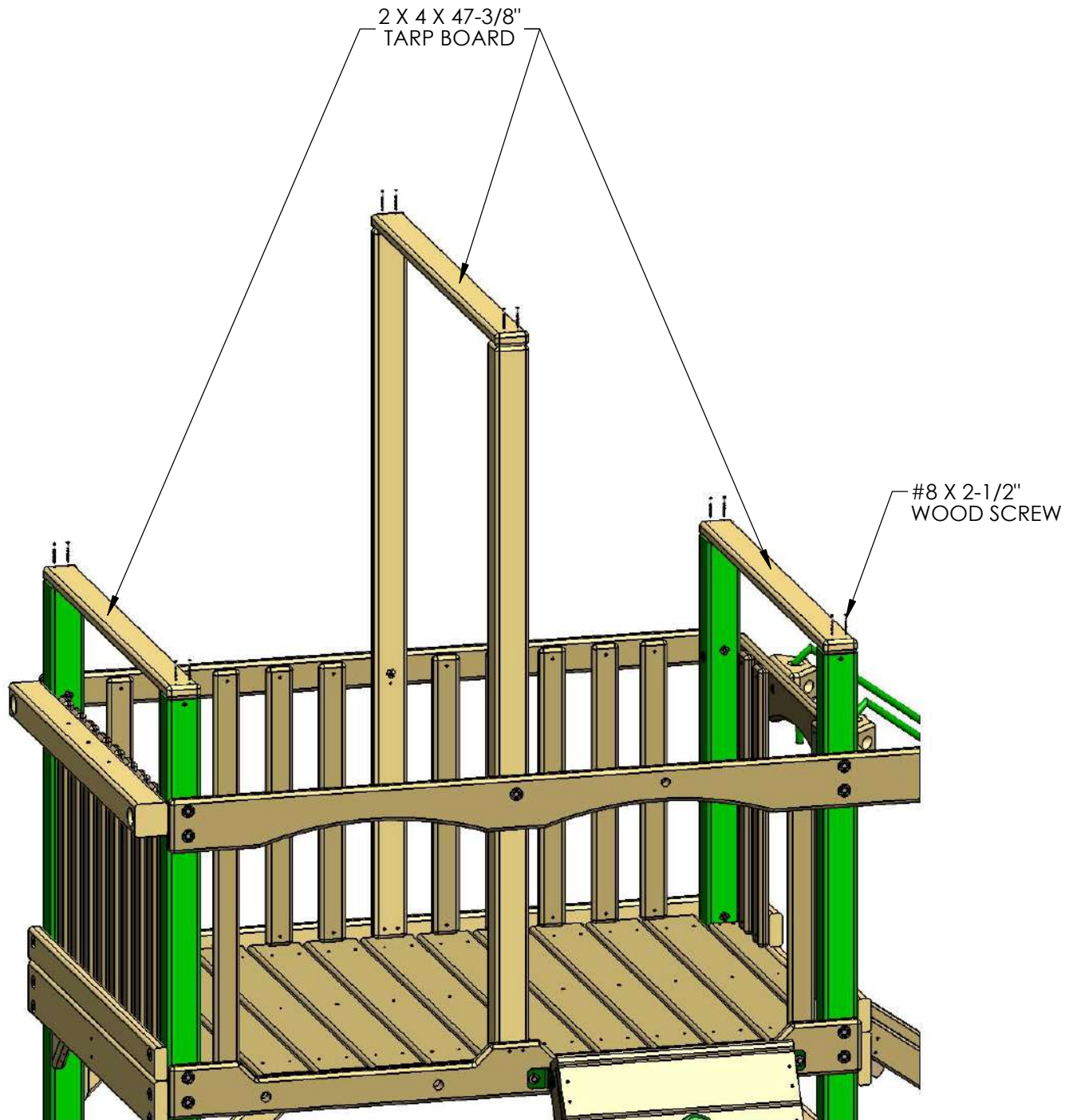
SWING BEAM PANEL
SLAT DIMENSIONS
(VIEW FROM OUTSIDE
THE PLAY SET.)



STEP 21A: TARP BOARDS

1: LOCATE THREE 2 X 4 X 47-3/8" TARP BOARDS.

2: ATTACH EACH TARP BOARD TO THE TOP OF THE CENTER TARP SUPPORT OR THE CORNER POSTS WITH #8 X 2-1/2" WOOD SCREWS.



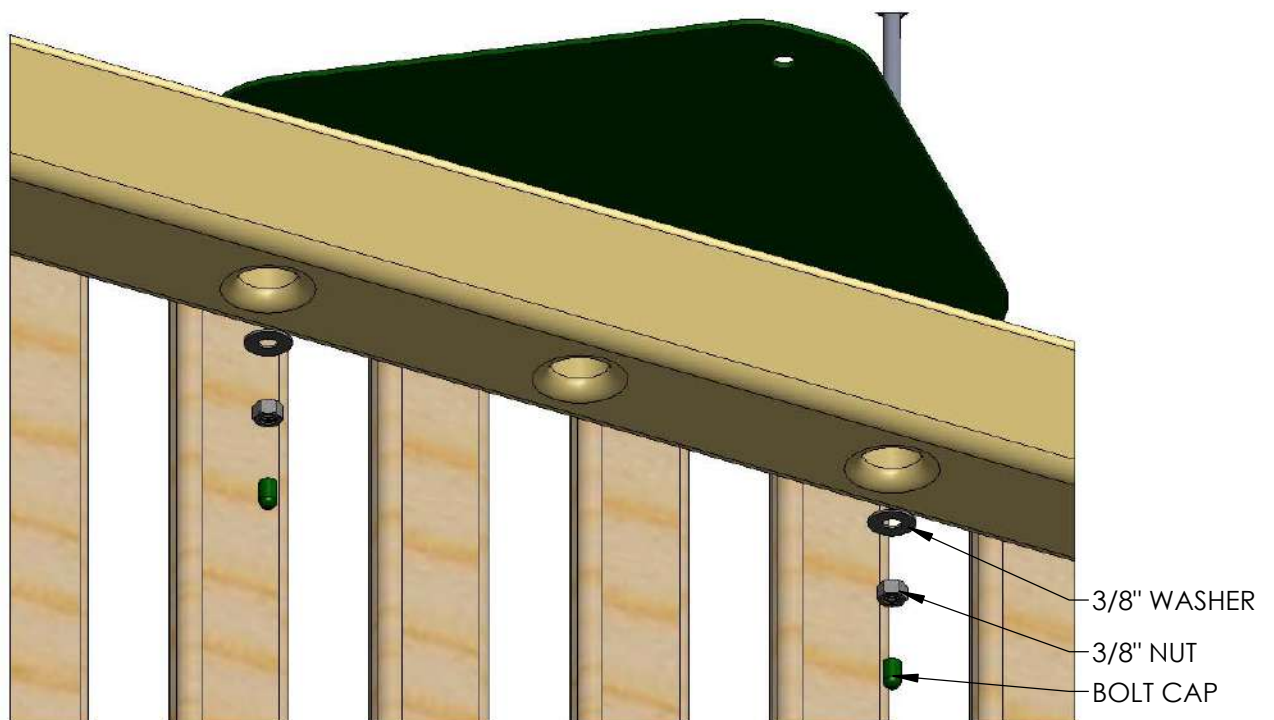
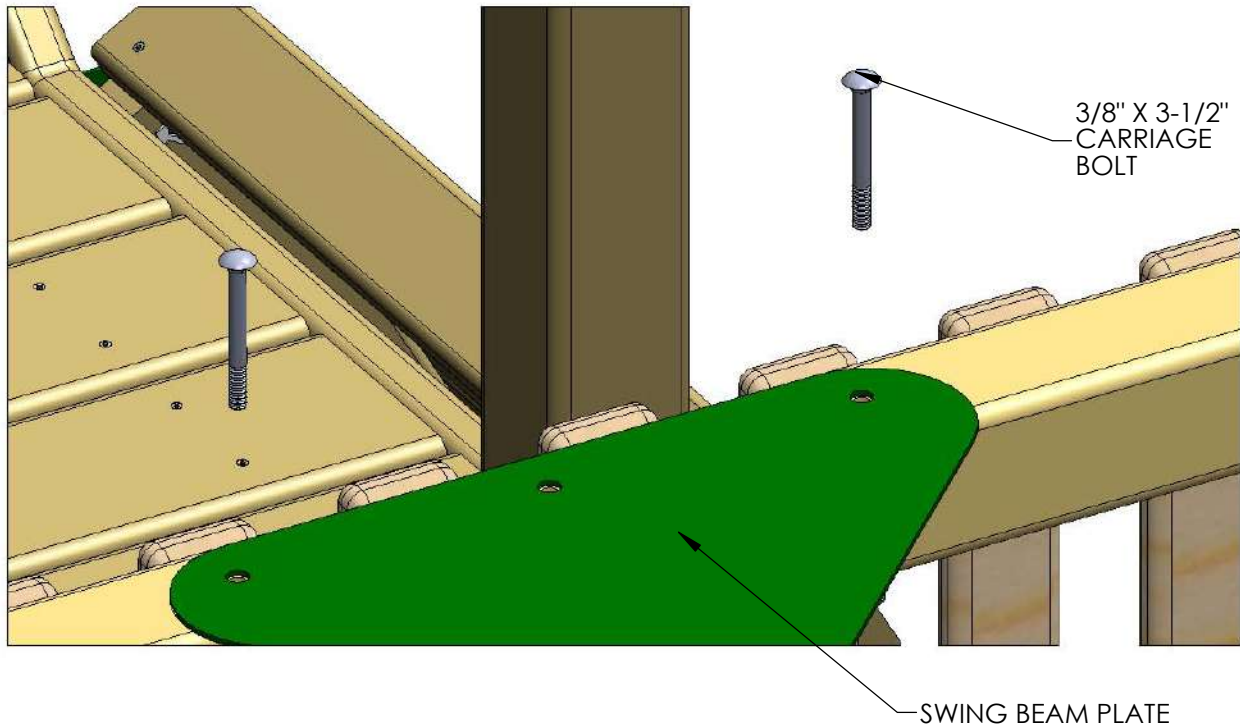
STEP 22: SWING BEAM PLATE

1: PLACE THE SWING BEAM PLATE ON TOP OF THE SWING BEAM SUPPORT, LINING UP THE PILOT HOLES.

2: FASTEN THE SWING BEAM PLATE TO THE SWING BEAM SUPPORT USING 3-1/2" CARRIAGE BOLTS ON TOP, AND 3/8" LOCK NUTS WITH 3/8" WASHERS FROM UNDERNEATH, IN THE COUNTER-SUNK HOLES OF THE SWING BEAM SUPPORT. USE BOLT CAPS TO COVER ANY EXPOSED THREADS.

3: LEAVE THE MIDDLE HOLE EMPTY, IT WILL BE USED LATER.

4: IF NECESSARY USE LOCKING PLIERS TO HOLD CARRIAGE BOLTS IN PLACE WHEN INSTALLING.

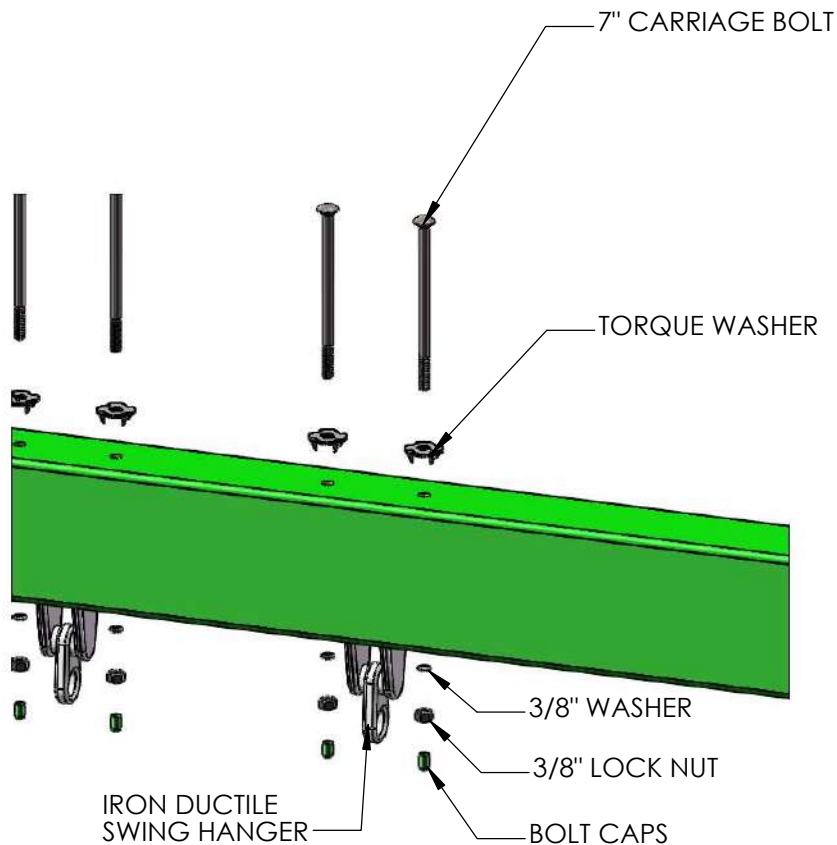
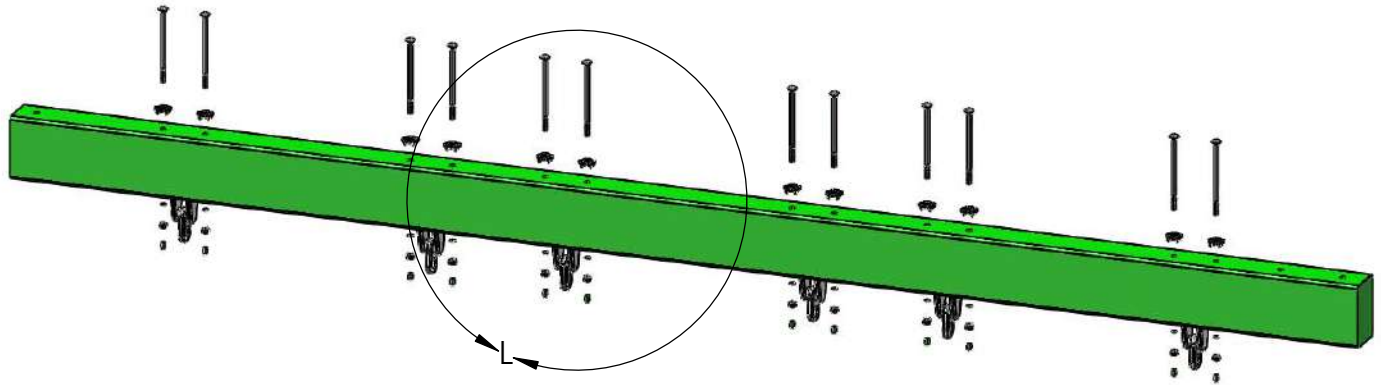


STEP 23: IRON DUCTILE SWING HANGERS

1: LINE UP THE HOLES OF THE IRON DUCTILE SWING HANGERS WITH THE HOLES IN THE SWING BEAM. IF YOUR BEAM IS BOWED SLIGHTLY PLACE THE BOW SIDE UP; THE SWING HANGERS WILL BE ON THE BOTTOM.

2: FASTEN EACH SWING HANGER TO THE SWING BEAM USING 7" CARRIAGE BOLTS WITH TORQUE WASHERS, AND 3/8" WASHERS WITH 3/8" LOCK NUTS.

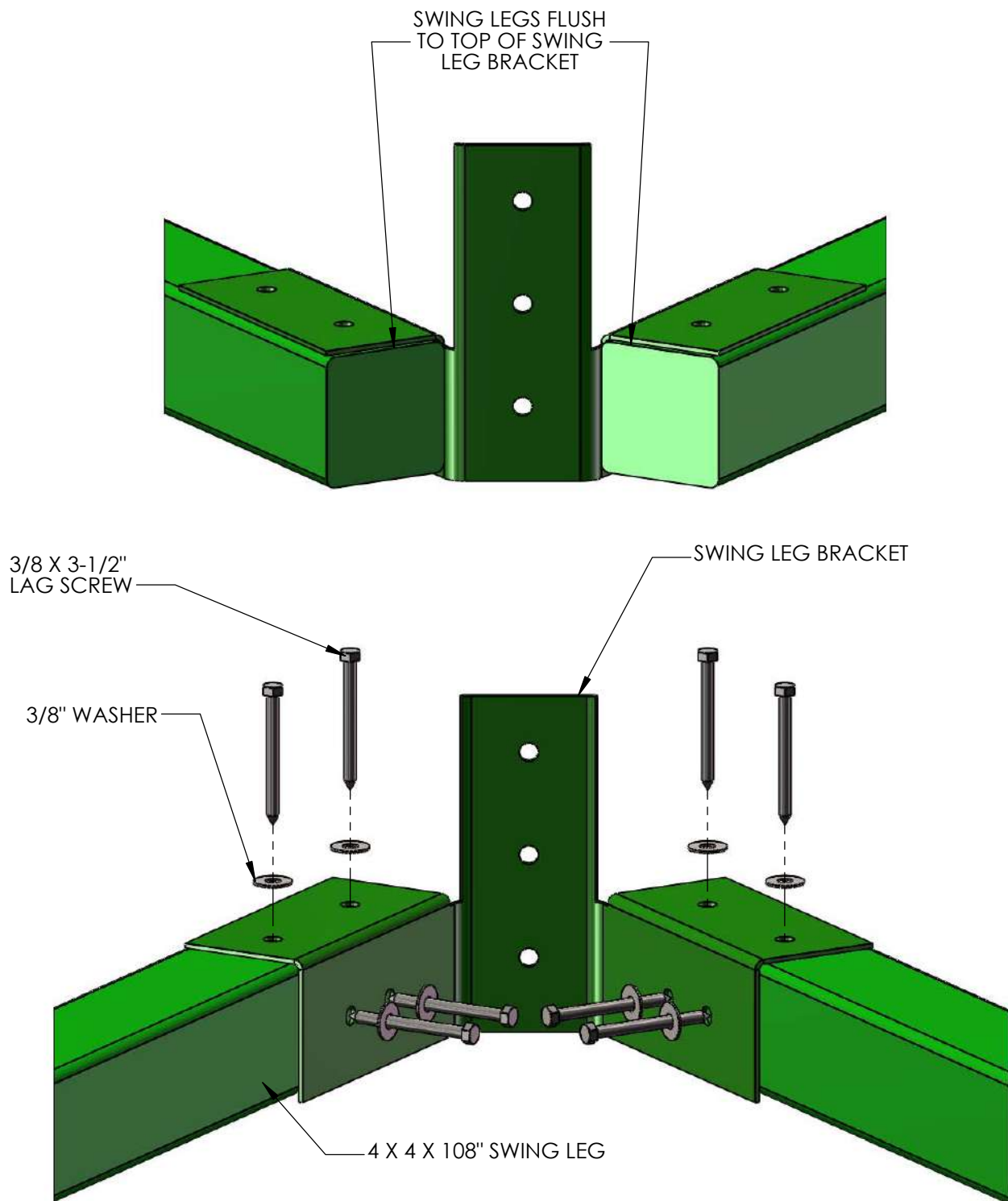
3: PLACE BOLT CAPS OVER EXPOSED THREADS.



STEP 24: ATTACH SWING LEGS TO BRACKET

1: PLACE THE 4 X 4 X 108" SWING LEGS FLUSH TO THE TOP OF THE SWING LEG BRACKET.

2: FASTEN THE SWING LEGS TO THE SWING LEG BRACKET WITH 3/8 X 3-1/2" LAG SCREWS AND 3/8" WASHERS.

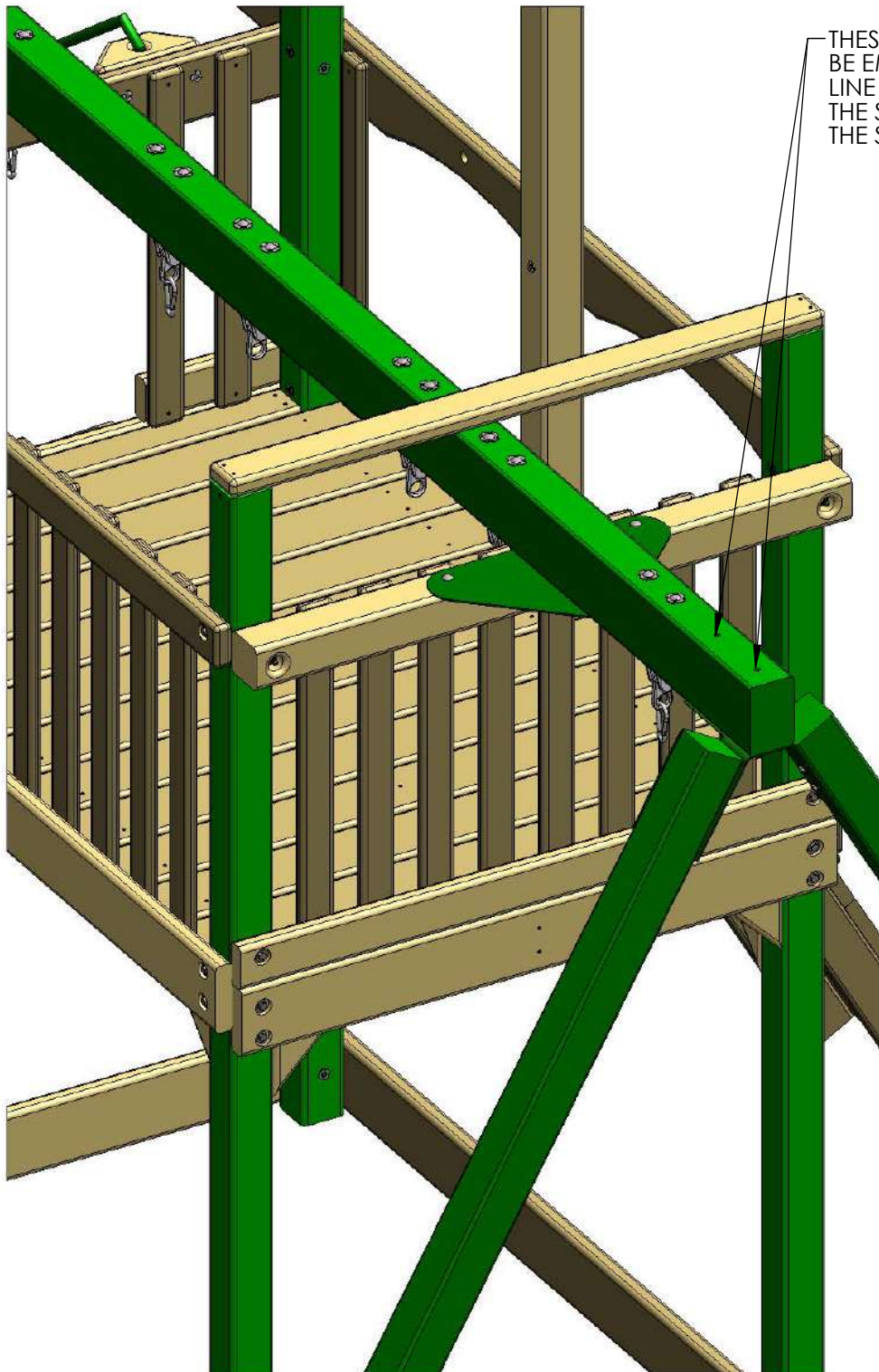


STEP 25: REST SWING BEAM ON FORT

*TWO PEOPLE ARE REQUIRED FOR THIS STEP

1: LAY THE SWING BEAM ACROSS THE TOP OF THE FORT RAILINGS. THE END OF THE SWING BEAM WITH TWO EMPTY HOLES SHOULD OVERHANG THE SIDE OF THE FORT WITH THE TRIANGULAR SWING BEAM PLATE.

2: SIT THE SWING BEAM LEGS UPRIGHT UNDER THE TWO EMPTY HOLES IN THE END OF THE SWING BEAM.



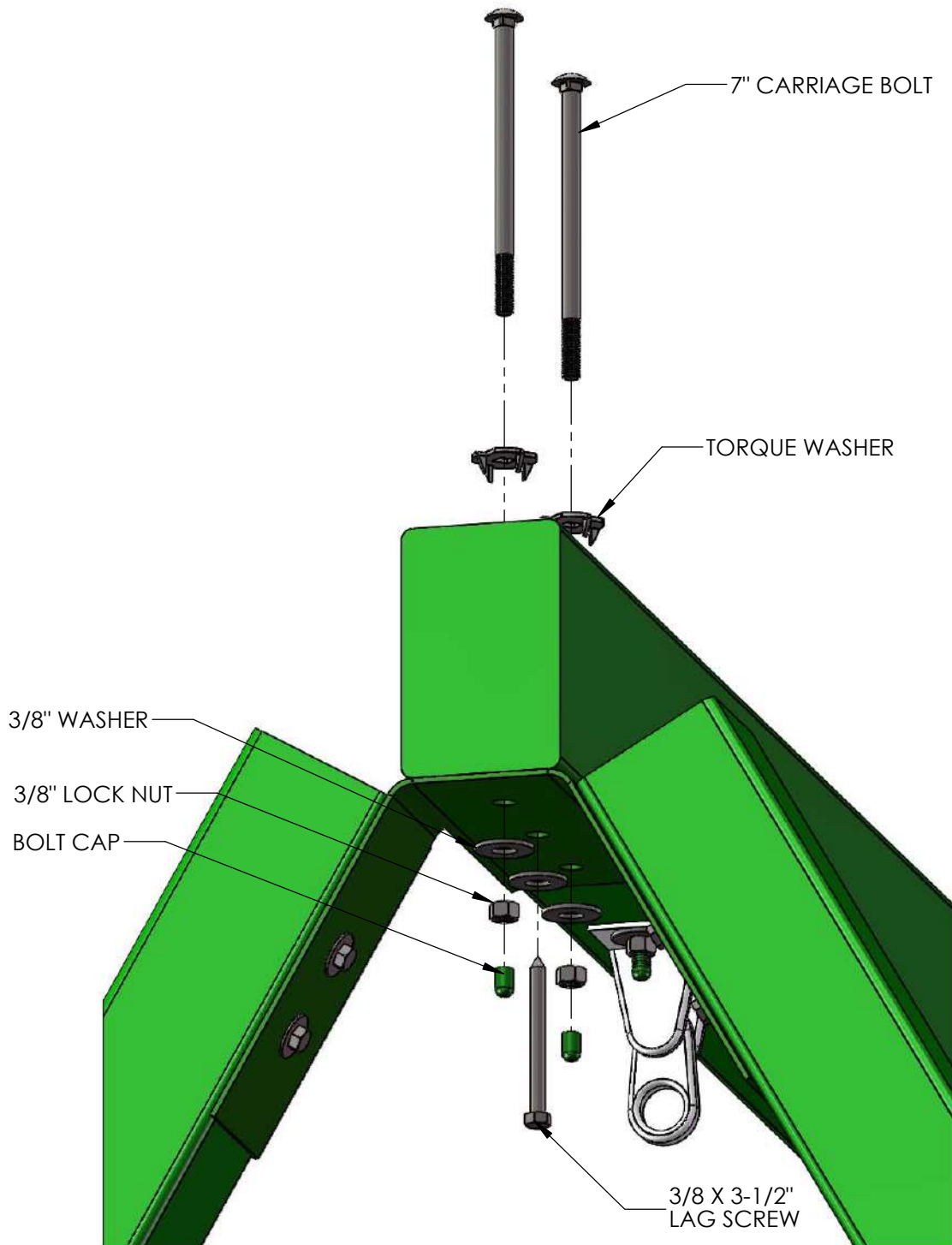
THESE TWO HOLE LOCATIONS WILL BE EMPTY ON YOUR SWING BEAM. LINE THEM UP WITH THE HOLES IN THE SWING LEG BRACKET UNDER THE SWING BEAM.

STEP 26: MOUNT SWING BEAM TO SWING BEAM LEGS

1: FASTEN THE SWING BEAM TO THE SWING BEAM BRACKET USING 7" CARRIAGE BOLTS WITH TORQUE WASHERS ON TOP OF THE SWING BEAM, AND 3/8" LOCK NUTS WITH 3/8" WASHERS FROM UNDERNEATH.

2: USE A 3/8 X 3-1/2" LAG SCREW WITH 3/8" WASHER FOR THE HOLE IN THE CENTER OF THE SWING BEAM BRACKET.

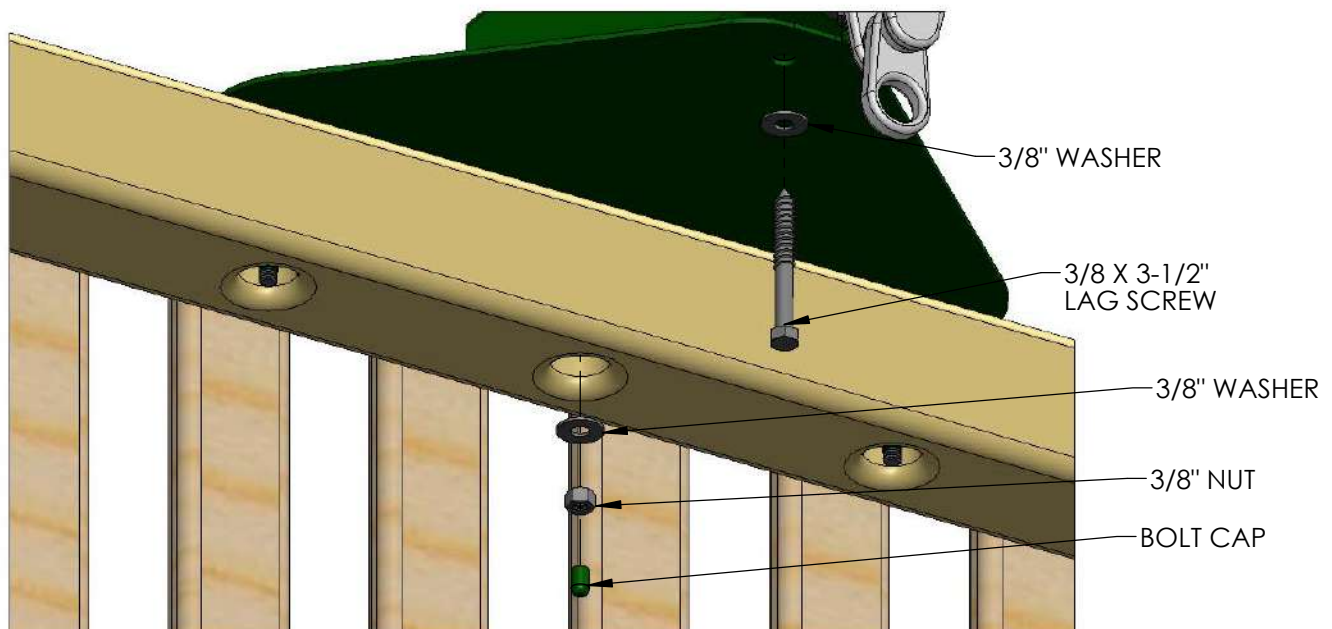
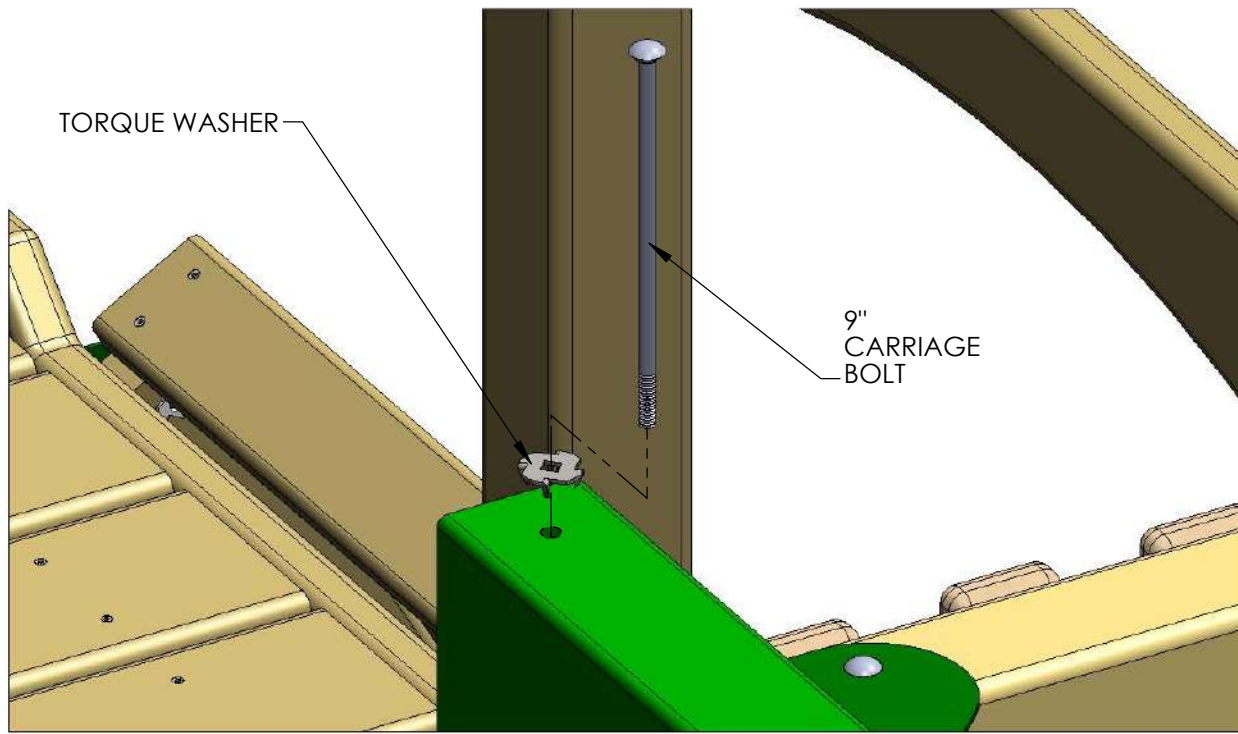
3: PLACE A BOLT CAP OVER ANY EXPOSED THREADS.



STEP 27: MOUNT SWING BEAM ON FORT

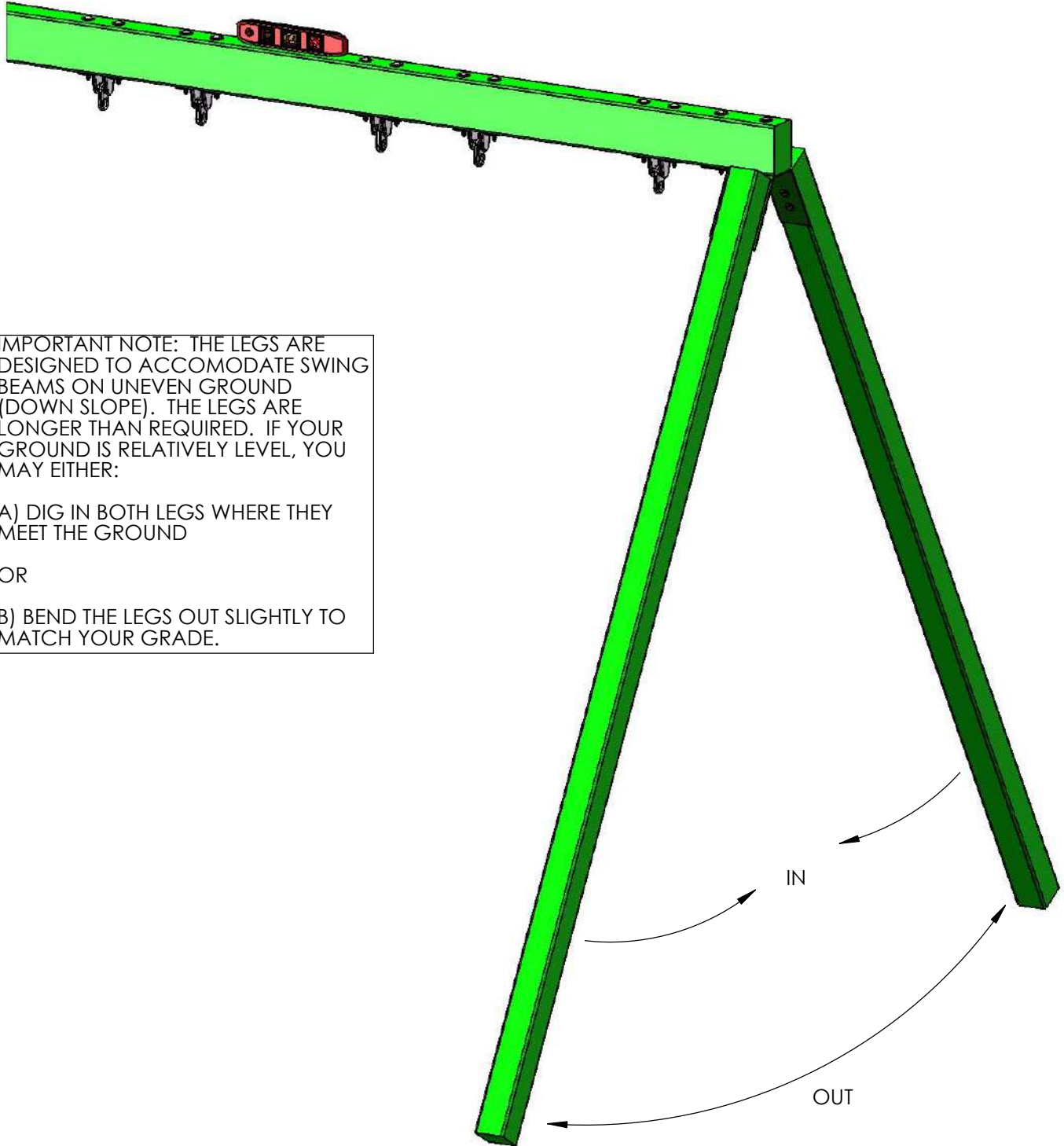
AN EXTRA PERSON IS NEEDED FOR THIS STEP.

- 1: HAVE ONE PERSON WALK THE SWING BEAM OUT TO THE END OF THE FORT FROM INSIDE THE FORT WHILE THE OTHER PERSON CARRIES IT BY THE LEGS.
- 2: LINE UP THE PILOT HOLE AT THE END OF THE SWING BEAM WITH THE MIDDLE HOLE ON THE SWING BEAM PLATE.
- 3: FASTEN THE SWING BEAM TO THE SWING BEAM PLATE AND THE SWING BEAM SUPPORT USING A 9" CARRIAGE BOLT WITH A TORQUE WASHER AND A 3/8" LOCK NUT WITH A 3/8" WASHER ON THE BOTTOM. PLACE GREEN BOLT CAPS OVER EXPOSED THREADS AFTER SECURING.
- 4: FASTEN THE SWING BEAM TO THE SWING BEAM PLATE FROM UNDERNEATH WITH A 3/8 X 3-1/2" LAG SCREW AND 3/8" WASHER.
- 5: IF NECESSARY USE VISE GRIPS TO HOLD CARRIAGE BOLTS IN PLACE WHEN INSTALLING.



STEP 28: LEVEL SWING BEAM

1: PLACE A LEVEL ON TOP OF THE SWING BEAM AND ADJUST THE BEAM LEGS IN OR OUT AS NEEDED TO MAKE THE SWING BEAM LEVEL.



IMPORTANT NOTE: THE LEGS ARE DESIGNED TO ACCOMODATE SWING BEAMS ON UNEVEN GROUND (DOWN SLOPE). THE LEGS ARE LONGER THAN REQUIRED. IF YOUR GROUND IS RELATIVELY LEVEL, YOU MAY EITHER:

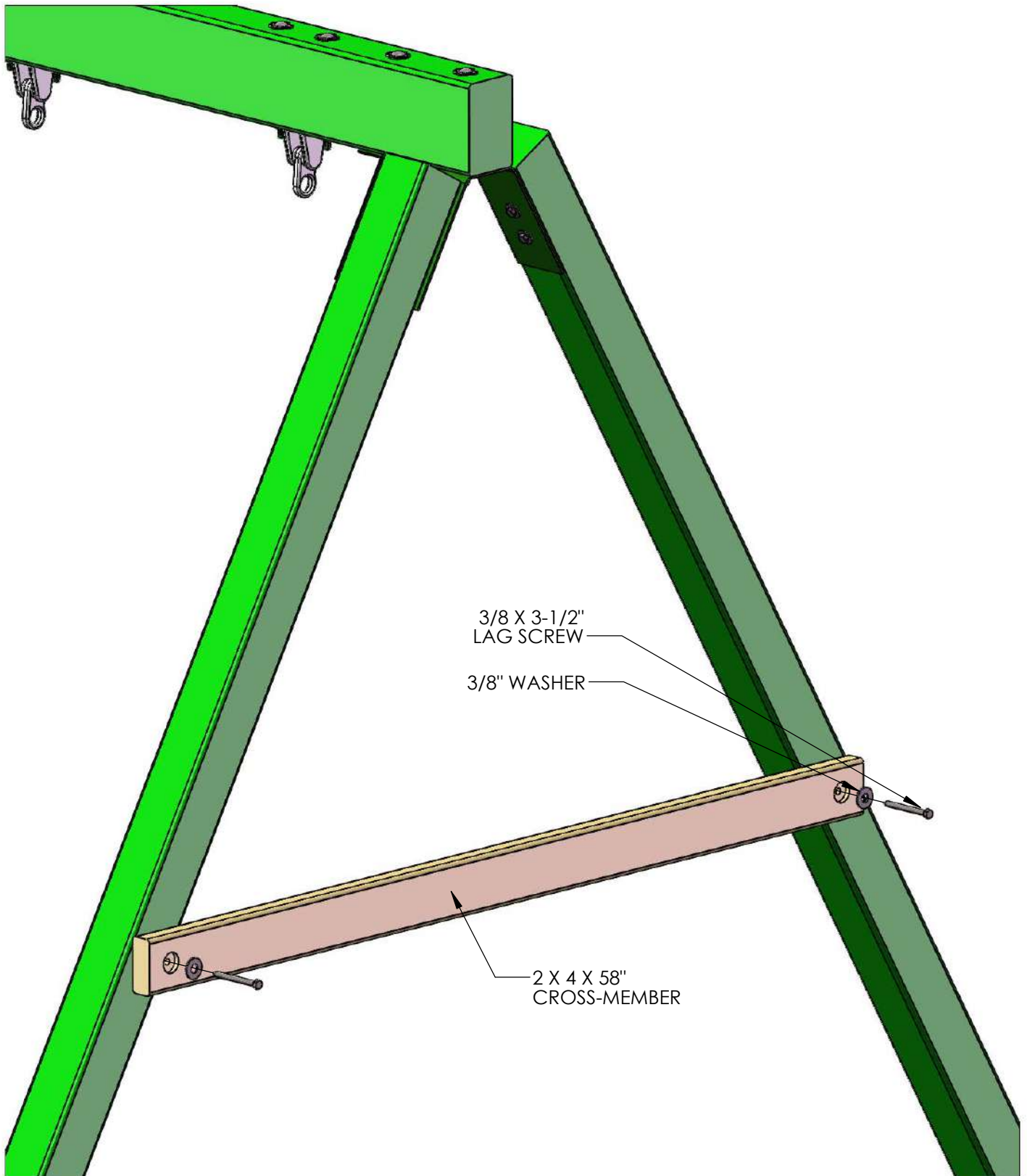
A) DIG IN BOTH LEGS WHERE THEY MEET THE GROUND

OR

B) BEND THE LEGS OUT SLIGHTLY TO MATCH YOUR GRADE.

STEP 29: SWING LEG CROSS-MEMBER

- 1: POSITION THE 2 X 4 X 58" SWING LEG CROSS-MEMBER AGAINST THE SWING BEAM LEGS.
- 2: LEVEL CROSS-MEMBER AND MARK THE LOCATION OF THE SECURING HOLES INSIDE THE CROSS-MEMBER HOLES.
- 3: USE 3/8 X 3-1/2" LAG SCREWS WITH 3/8" WASHERS TO SECURE THE CROSS-MEMBER TO THE SWING BEAM LEGS.



STEP 30: TARP

1: PLACE THE TARP ACROSS THE TARP BOARDS WITH THE HEMS ON THE INSIDE.

2: FASTEN THE OUTSIDE CORNERS OF THE TARP TO THE SIDE OF THE TARP BOARD FIRST. ATTACH THE GROMMETS IN THE TARP TO THE TARP BOARD WITH #14 X 1-1/4" PAN HEAD SCREWS WITH 1/4" WASHERS. REPEAT FOR OTHER SIDE. (NOTE IF YOU WISH YOU MAY PREDRILL HOLES FOR THE PAN HEAD SCREWS WITH A 1/8" DRILL BIT.)

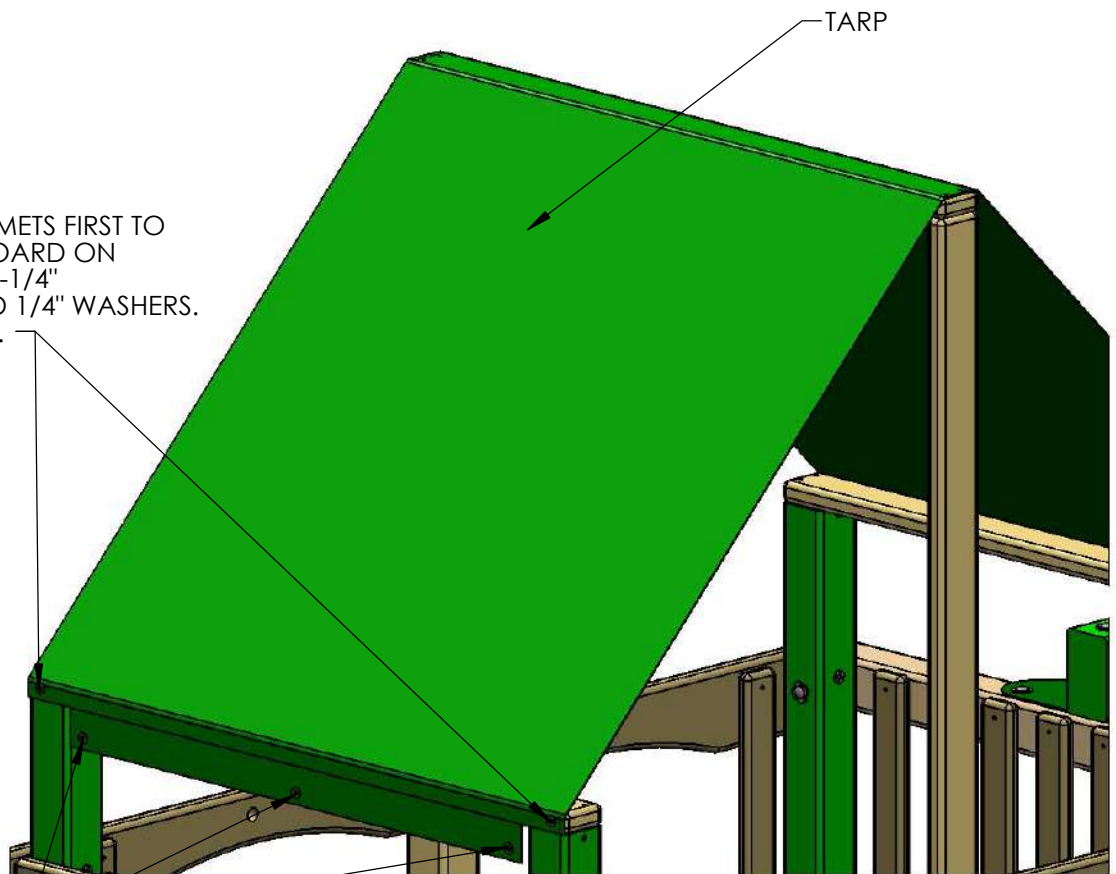
3: NOW FOLD THE FLAP UNDER THE TARP BOARD AND FASTEN THE GROMMETS UNDER THE TARP BOARD WITH #14 X 1-1/4" PAN HEAD SCREWS WITH 1/4" WASHERS. REPEAT FOR OTHER SIDE. (NOTE IF YOU WISH YOU MAY PREDRILL HOLES FOR THE PAN HEAD SCREWS WITH A 1/8" DRILL BIT.)



NOTE: IF YOU WISH YOU MAY DRILL 1/8" PILOT HOLES IN THE TARP BOARD FOR THE PAN HEAD SCREWS.

FASTEN OUTSIDE GROMMETS FIRST TO THE SIDE OF THE TARP BOARD ON EACH SIDE WITH #14 X 1-1/4" PAN HEAD SCREWS AND 1/4" WASHERS. REPEAT FOR OTHER SIDE.

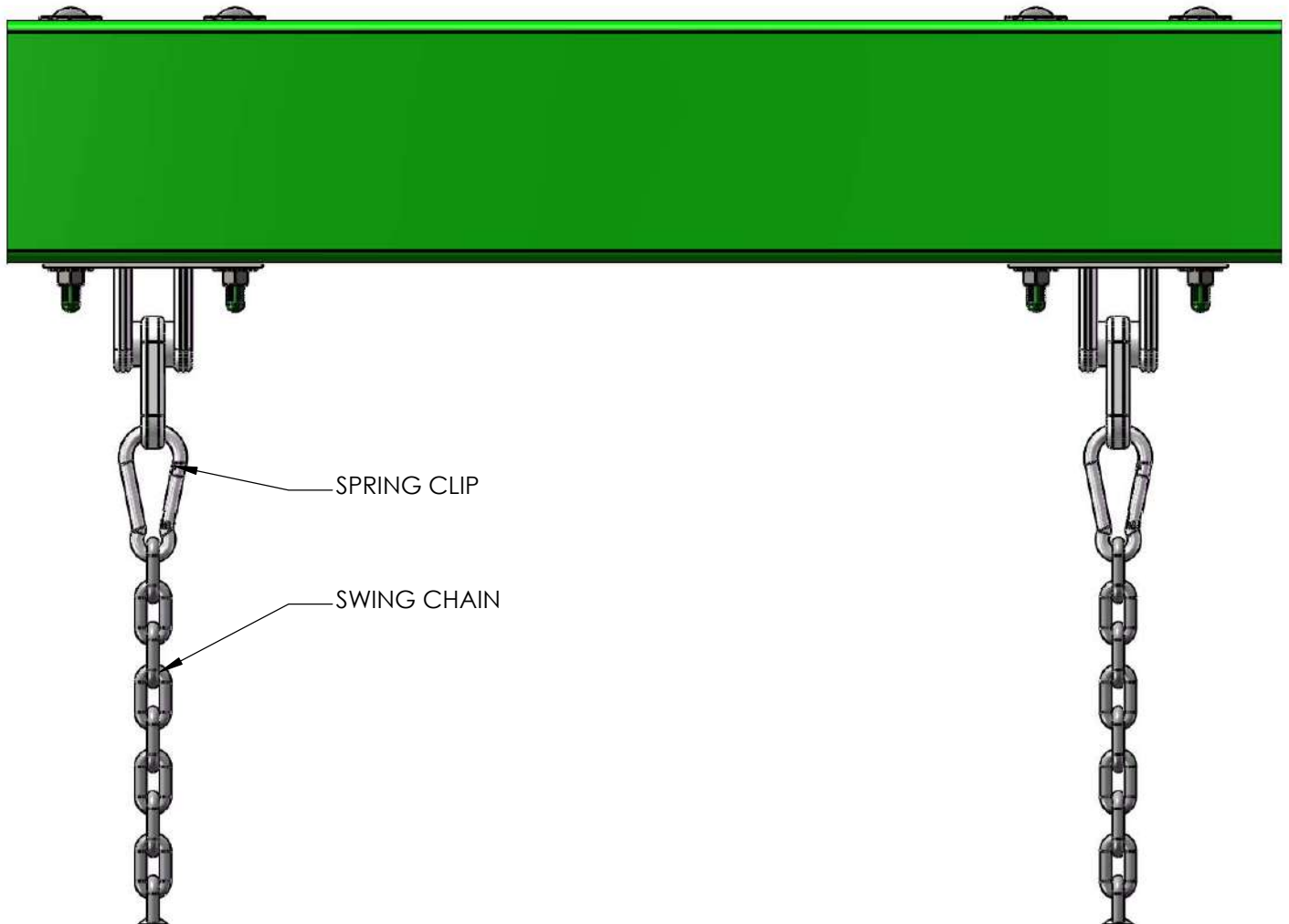
THEN FOLD THIS TAB UNDER THE TARP BOARD AND SECURE IT TO THE BOTTOM SIDE OF THE TARP BOARD WITH #14 X 1-1/4" PAN HEAD SCREWS AND 1/4" WASHERS. REPEAT FOR OTHER SIDE.



DETAIL A
SCALE 1 : 12

STEP 31: HANGING THE SWINGS

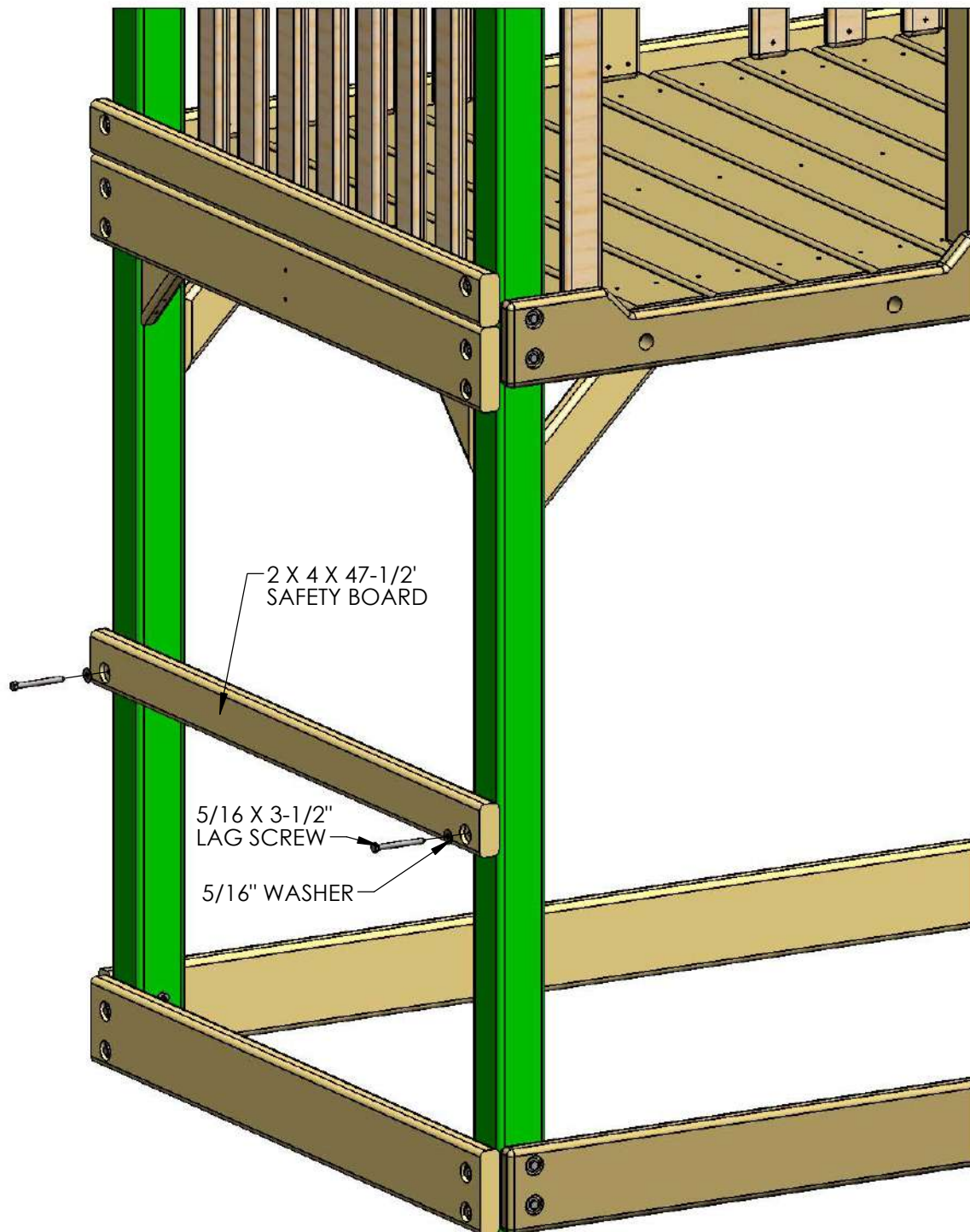
- 1: START BY ATTACHING ONE SPRING CLIP TO EACH IRON DUCTILE ON THE SWING BEAM.
- 2: ATTACH ONE CHAIN PER ACCESSORY TO EACH SPRING CLIP.
- 3: ADJUST HEIGHT AS NEEDED.



STEP 32: SAFETY BOARD

1: MEASURE 24" FROM THE BOTTOM OF THE CORNER POSTS ON THE LEFT SIDE OF THE FORT. MARK THESE POSITIONS ON THE OUTSIDE OF THE CORNER POSTS. ATTACH THE 2 X 4 X 47-1/2" SAFETY BOARD WITH HOLES OFFSET UP OR DOWN (YOUR CHOICE) TO THE CORNER POSTS WITH 5/16 X 3-1/2" LAG SCREWS AND 5/16 WASHERS.

NOTE: THE OFFSET HOLES CAN BE PLACED UP OR DOWN IN THIS STEP.



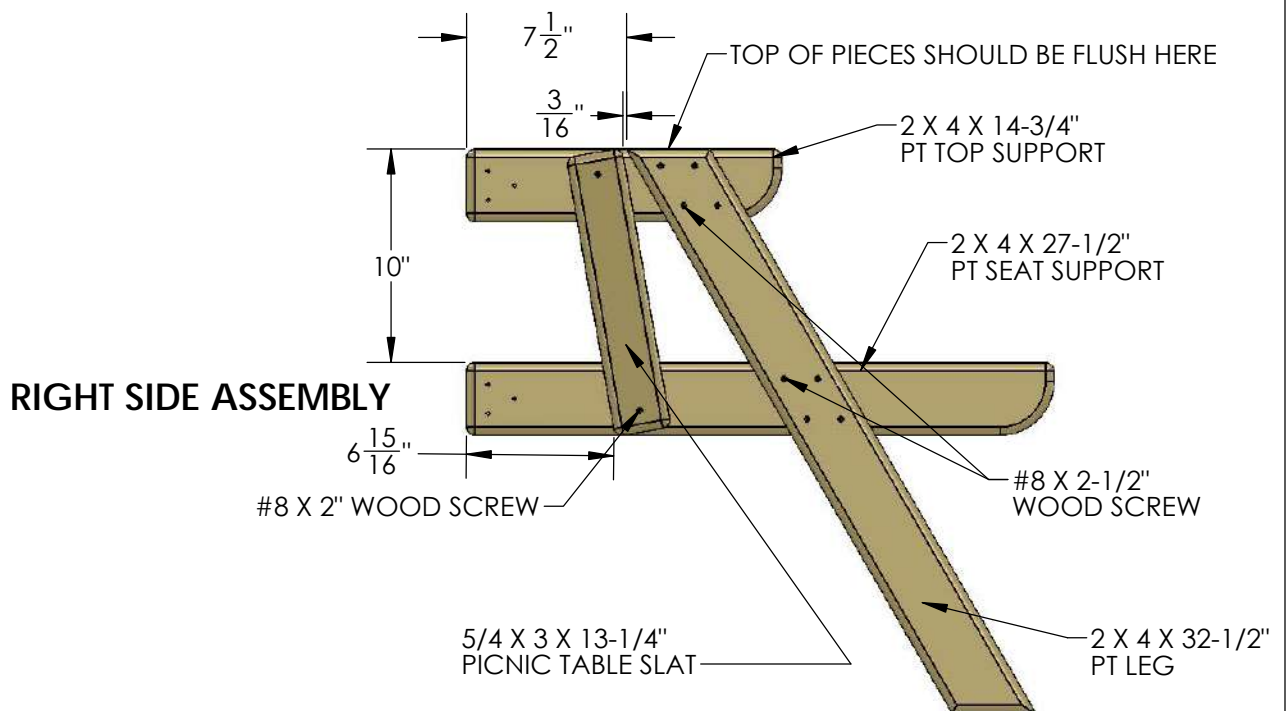
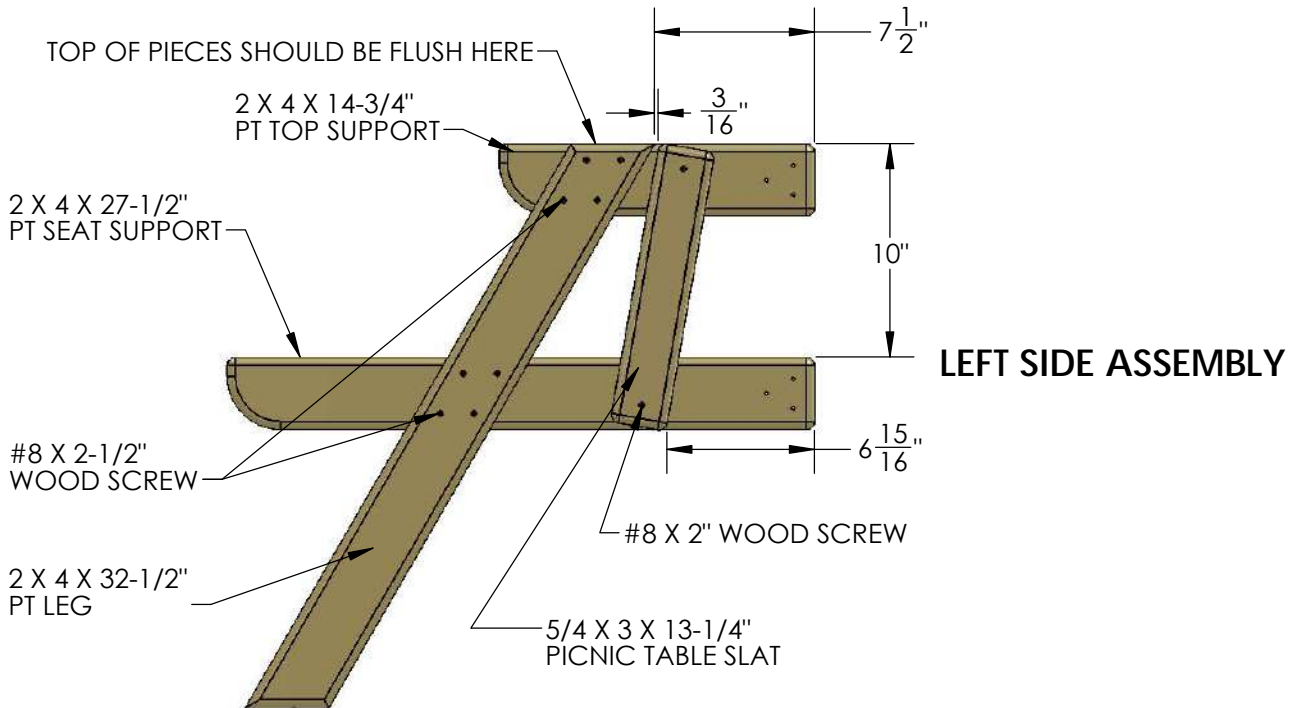
STEP 33: PICNIC TABLE

1: LOCATE TWO 2 X 4 X 14-3/4" PT TOP SUPPORTS, TWO 2 X 4 X 27-1/2" PT SEAT SUPPORTS, TWO 2 X 4 X 32-1/2" PT LEGS AND TWO 5/4 X 3 X 13-1/4" PICNIC TABLE SLATS.

2: FOR THE LEFT SIDE ASSEMBLY, PLACE A 2 X 4 X 14-3/4" PT TOP SUPPORT AND A 2 X 4 X 27-1/2" PT SEAT SUPPORT PARALLEL TO ONE ANOTHER. PLACE A 2 X 4 X 32-1/2" PT LEG ON TOP AT THE 7-1/2" DIMENSION. THE TOP OF THE PT LEG SHOULD BE FLUSH TO THE TOP OF THE PT TOP SUPPORT. ATTACH THE PT LEG TO THE SUPPORTS WITH #8 X 2-1/2" WOOD SCREWS.

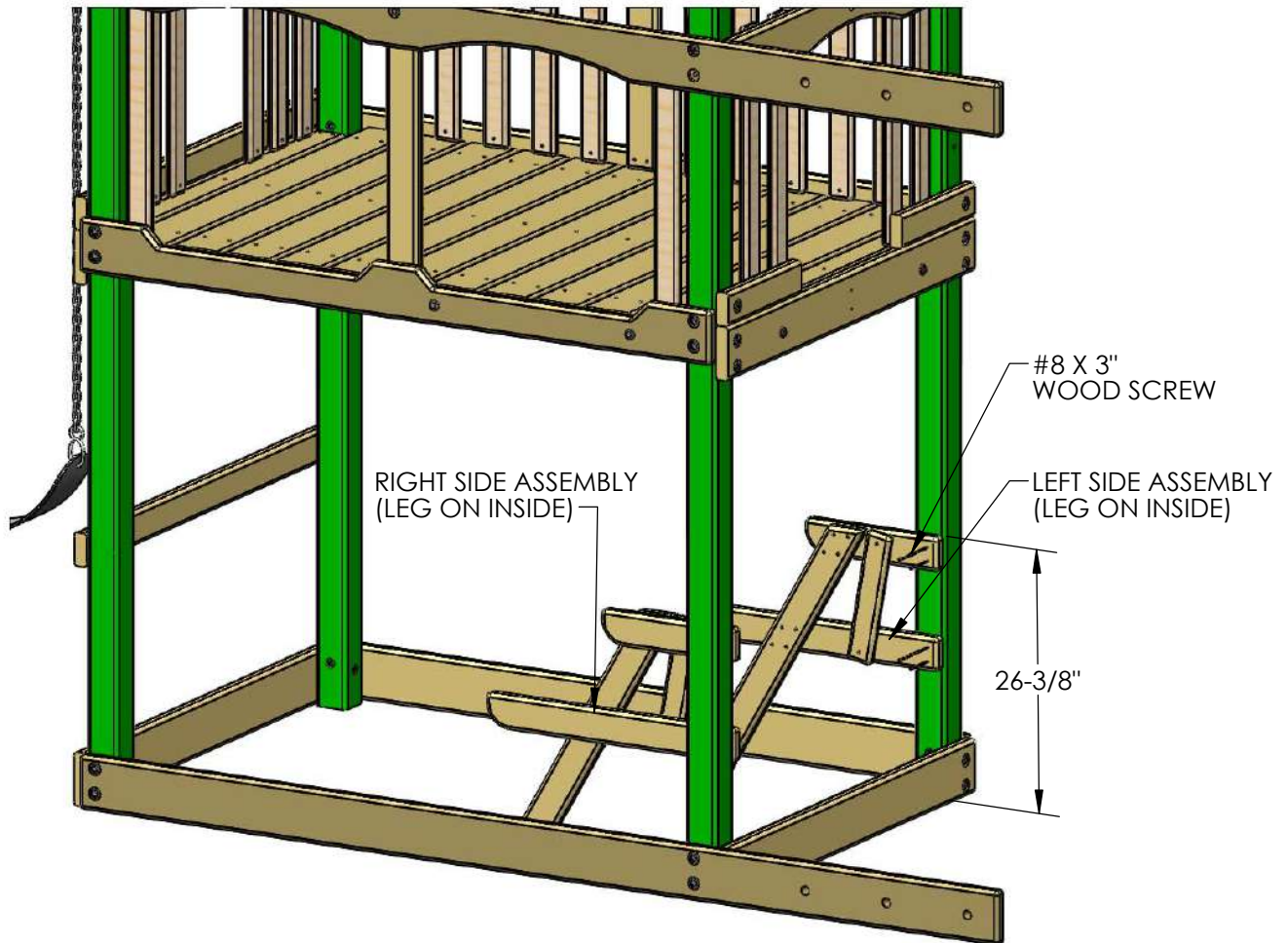
3: FOR THE RIGHT SIDE ASSEMBLY, PLACE A 2 X 4 X 14-3/4" PT TOP SUPPORT AND A 2 X 4 X 27-1/2" PT SEAT SUPPORT PARALLEL TO ONE ANOTHER. PLACE A 2 X 4 X 32-1/2" PT LEG ON TOP AT THE 7-1/2" DIMENSION. THE TOP OF THE PT LEG SHOULD BE FLUSH TO THE TOP OF THE PT TOP SUPPORT. ATTACH THE PT LEG TO THE SUPPORTS WITH #8 X 2-1/2" WOOD SCREWS.

4: PLACE THE PICNIC TABLE SLAT NEXT TO THE PICNIC TABLE LEG FOR EACH ASSEMBLY BELOW. LEAVE A 3/16" GAP BETWEEN THE TOP OF THE SLAT AND THE LEG. USE THE 6-15/16" DIMENSION TO LOCATE THE BOTTOM END OF THE SLAT. FASTEN THE PICNIC TABLE SLAT TO THE SUPPORTS WITH TWO #8 X 2" WOOD SCREWS.



STEP 34: PICNIC TABLE

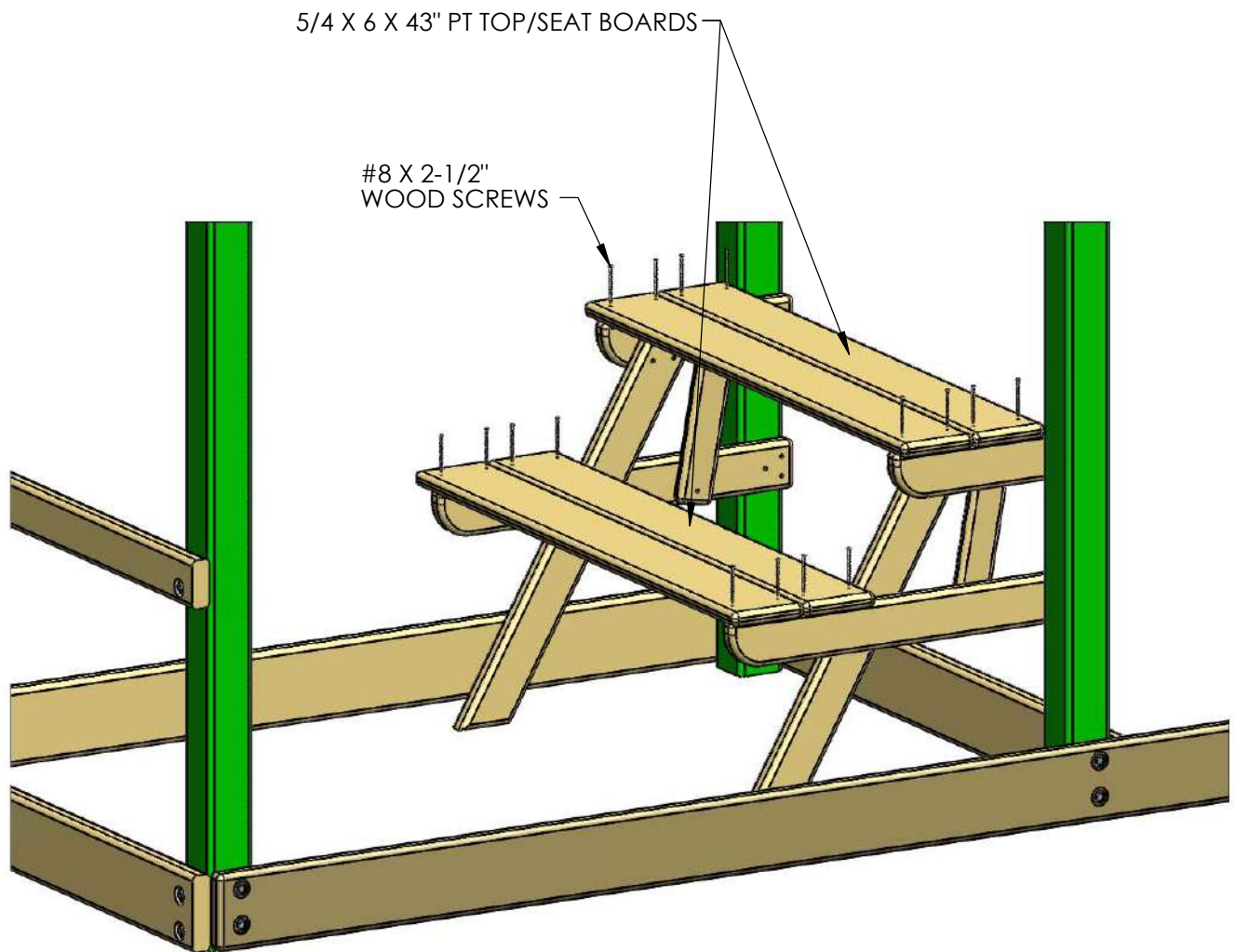
- 1: MEASURE 26-3/8" FROM THE BOTTOM OF THE CORNER POSTS ON THE RIGHT SIDE OF THE PLAYSET. MAKE MARKS ON THE INSIDE OF THE CORNER POSTS WITH A PEN OR PENCIL AT 26-3/8".
- 2: PLACE THE TOP OF THE RIGHT SIDE ASSEMBLY FLUSH TO THE MARK ON THE RIGHT FRONT CORNER POST. ATTACH THE RIGHT SIDE ASSEMBLY TO THE INSIDE OF THE CORNER POST WITH #8 X 3" WOOD SCREWS.
- 3: PLACE THE TOP OF THE LEFT SIDE ASSEMBLY FLUSH TO THE MARK ON THE RIGHT REAR CORNER POST. ATTACH THE LEFT SIDE ASSEMBLY TO THE INSIDE OF THE CORNER POST WITH #8 X 3" WOOD SCREWS.



NOTE: RAMP AND ROCK WALL
REMOVED FOR CLARITY.

STEP 35: PICNIC TABLE

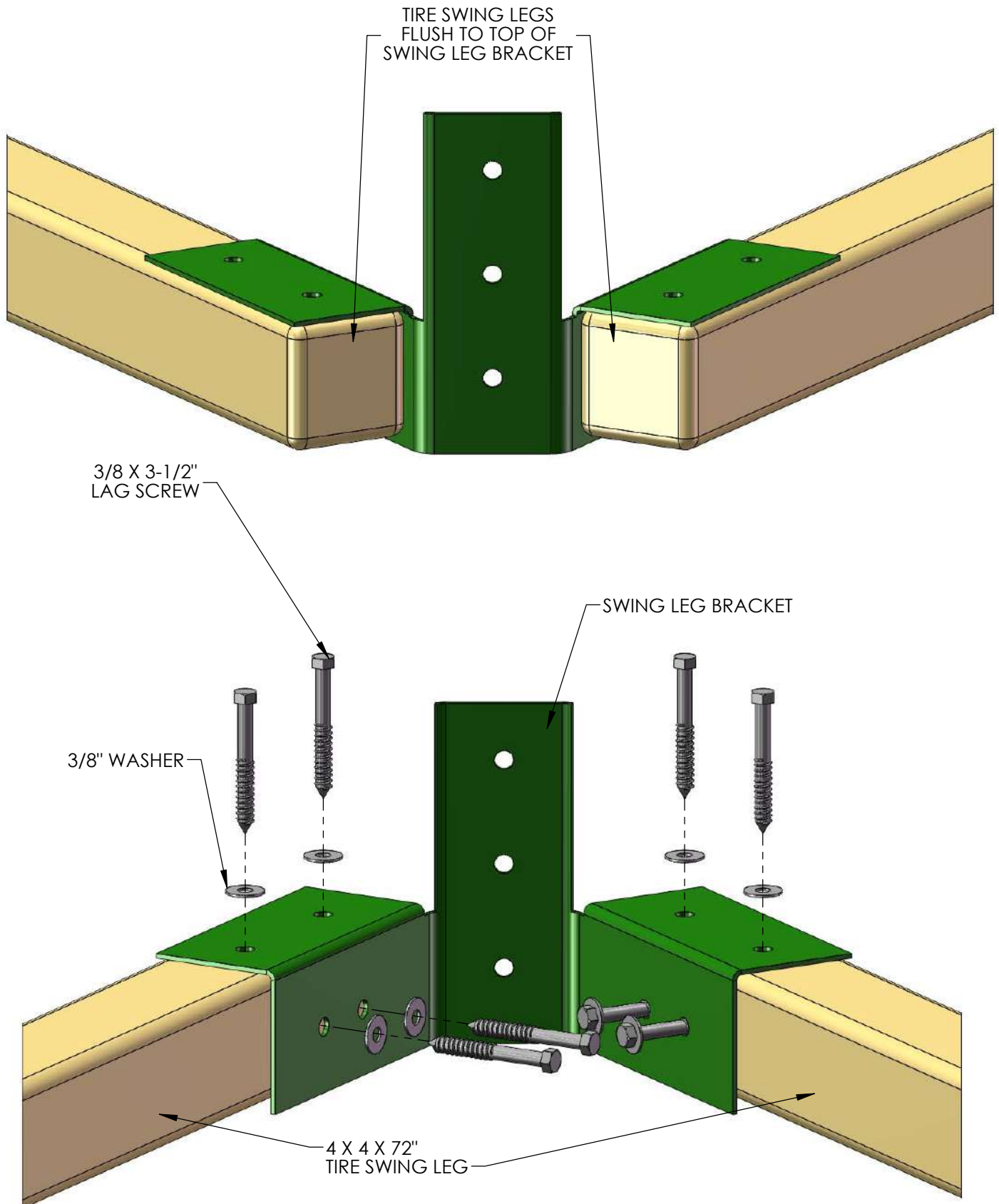
- 1: LOCATE FOUR 5/4 X 6 X 43" PT TOP AND SEAT BOARDS.
- 2: CENTER THE HOLES IN THE BOARDS OVER THE TOP OR SEAT SUPPORTS.
- 3: FASTEN THE PT TOP AND SEAT BOARDS TO THE TOP OR SEAT SUPPORTS WITH #8 X 2-1/2" WOOD SCREWS.



STEP 36: TIRE SWING

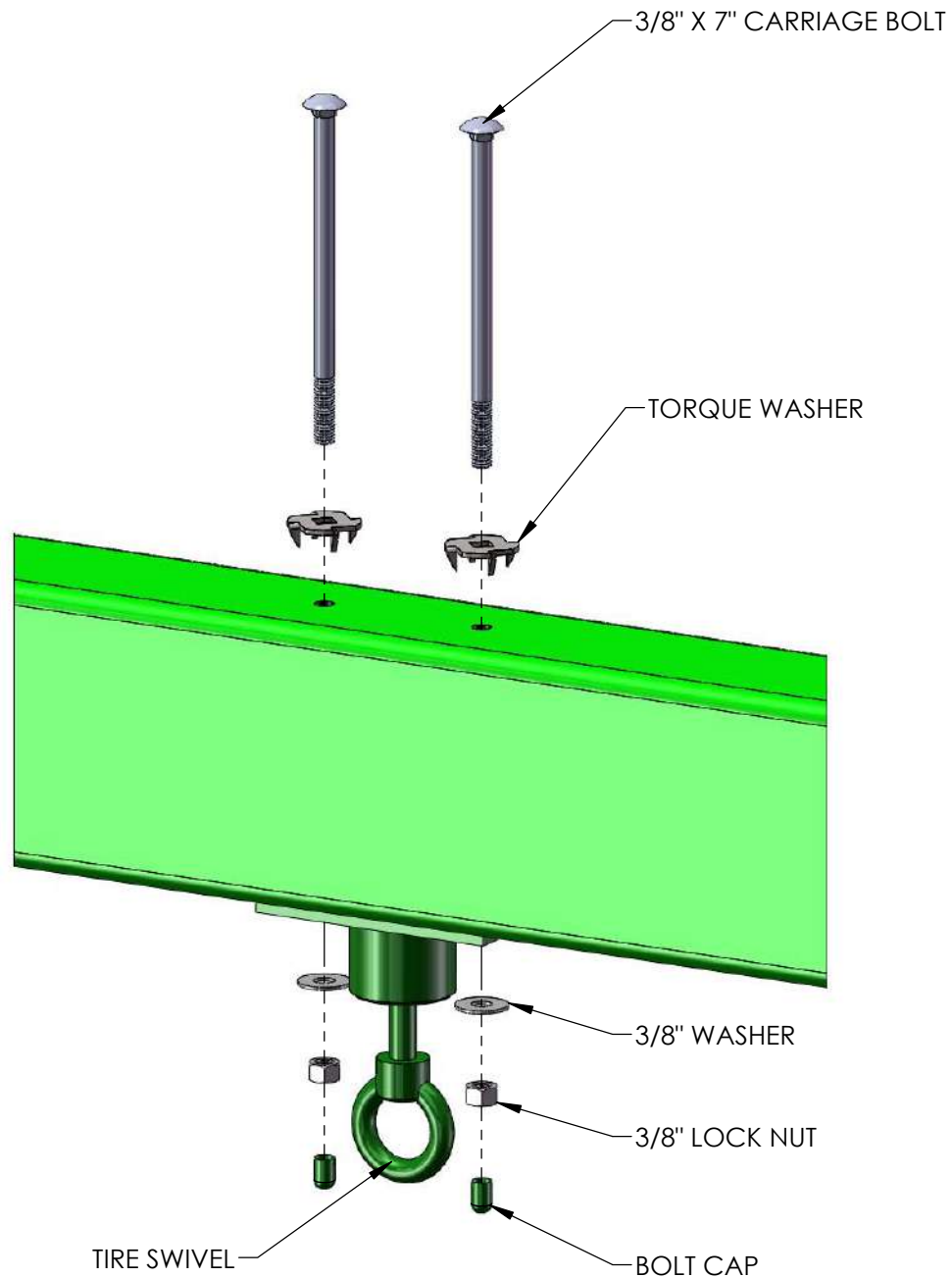
1: PLACE THE 4 X 4 X 72" TIRE SWING LEGS FLUSH TO THE TOP OF THE SWING LEG BRACKET.

2: FASTEN THE TIRE SWING LEGS TO THE SWING LEG BRACKET WITH 3/8 X 3-1/2" LAG SCREWS AND 3/8" WASHERS.



STEP 36A: TIRE SWING

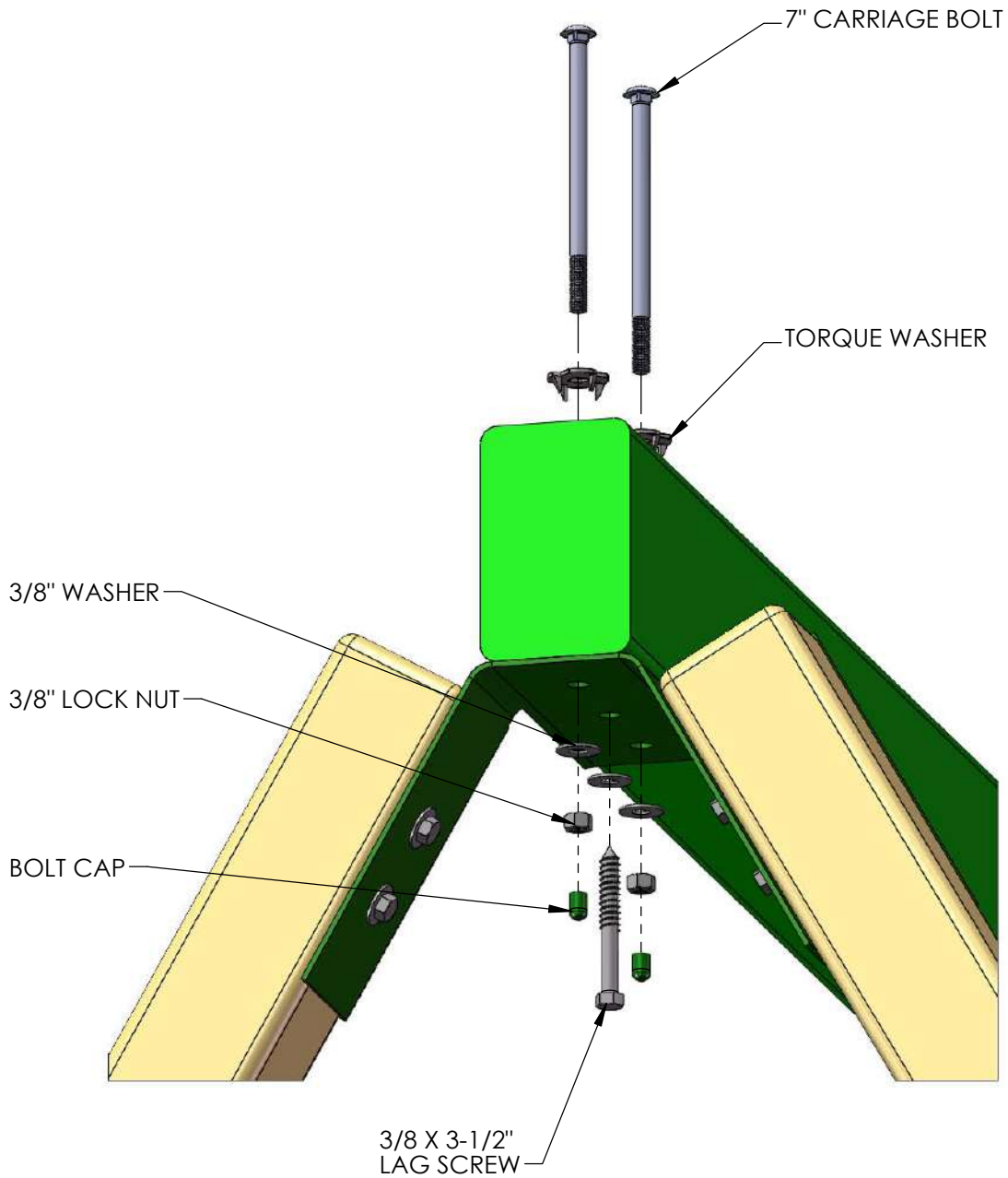
- 1: LINE UP THE HOLES OF THE TIRE SWIVEL WITH THE HOLES IN THE TIRE SWING BEAM.
- 2: FASTEN THE TIRE SWIVEL TO THE TIRE SWING BEAM USING 3/8" X 7" CARRIAGE BOLTS WITH TORQUE WASHERS, AND 3/8" WASHERS WITH 3/8" LOCK NUTS.
- 3: PLACE BOLT CAPS OVER EXPOSED THREADS.



STEP 36B: TIRE SWING

1: FASTEN THE TIRE SWING BEAM TO THE SWING BEAM BRACKET USING 3/8" X 7" CARRIAGE BOLTS WITH TORQUE WASHERS ON TOP OF THE TIRE SWING BEAM, AND 3/8" LOCK NUTS WITH 3/8" WASHERS FROM UNDERNEATH. PLACE A BOLT CAP OVER ANY EXPOSED THREADS.

2: USE A 3/8" X 3-1/2" LAG SCREW WITH 3/8" WASHER FOR THE HOLE IN THE CENTER OF THE SWING BEAM BRACKET.



STEP 36C: TIRE SWING

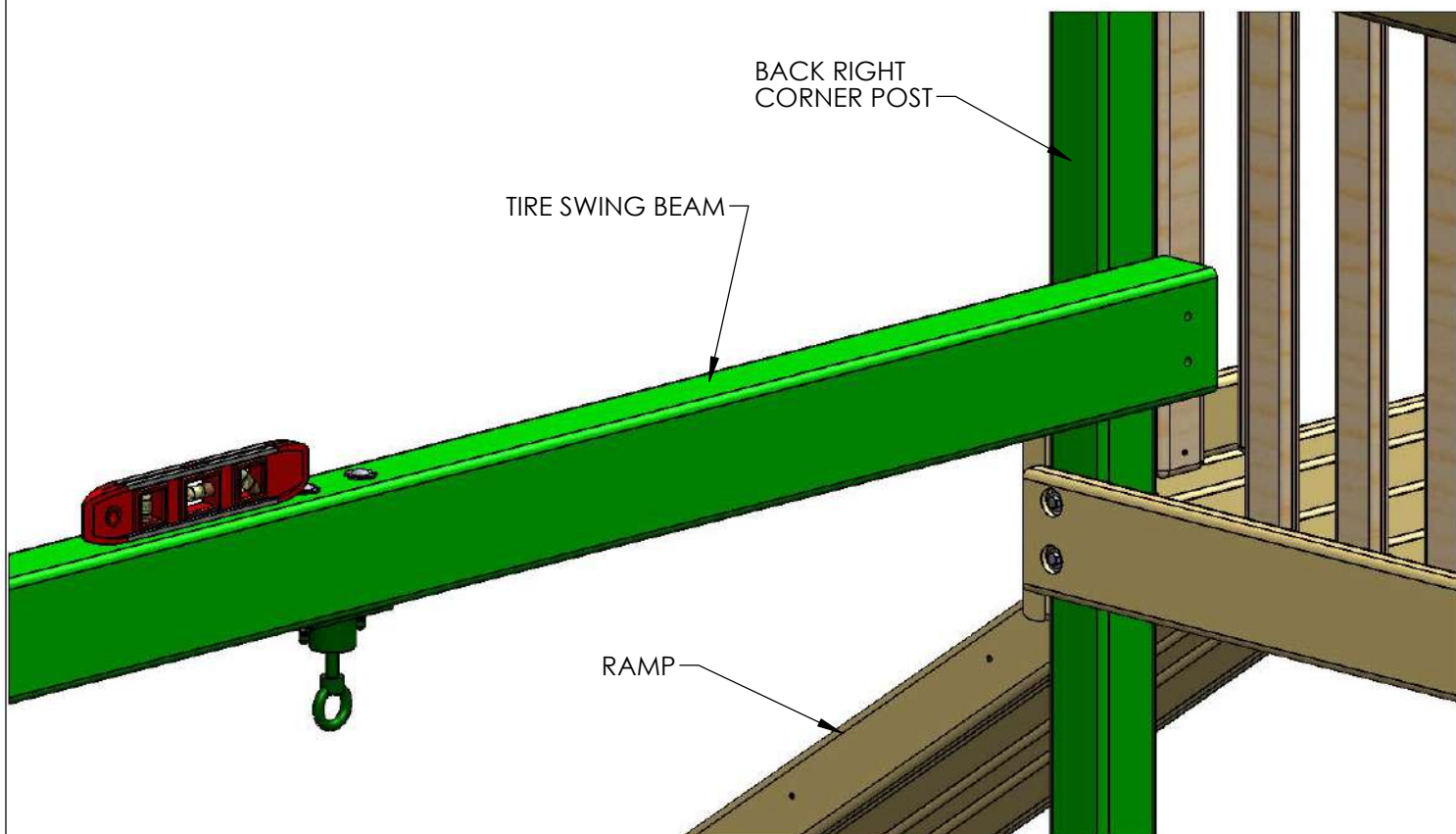
IMPORTANT: NOTE THE TIRE SWING LEGS ARE DESIGNED TO ACCOMODATE SWING BEAMS ON UNEVEN GROUND (DOWN SLOPE). THEY ARE LONGER THAN REQUIRED. IF YOUR GROUND IS RELATIVELY LEVEL, YOU MAY NEED TO EITHER A) DIG IN BOTH LEGS WHERE THEY MEET THE GROUND, OR B) BEND THE LEGS OUT SLIGHTLY TO MATCH YOUR GRADE. (ALSO SEE STEP 48)

AN EXTRA PERSON IS NEEDED FOR THIS STEP

1: SIT THE SWING BEAM LEGS UPRIGHT.

2: TAKE THE ASSEMBLED TIRE SWING BEAM AND LEGS AND INSERT THE SWING BEAM INTO THE GAP BETWEEN THE BACK RIGHT CORNER POST AND THE PANEL SLAT. PLACE A SMALL LEVEL ON TOP OF THE BEAM IN ORDER TO LEVEL CORRECTLY.

3: WITH A 3/8" DRILL BIT, USE THE PRE-DRILLED HOLES IN THE END OF THE TIRE SWING BEAM AS A TEMPLATE FOR THE HOLES THAT WILL BE DRILLED INTO THE CORNER POST.



STEP 36D: TIRE SWING

IN THIS STEP YOU WILL BE MOUNTING THE TIRE SWING BEAM TO THE FORT.

AN EXTRA PERSON IS NEEDED FOR THIS STEP.

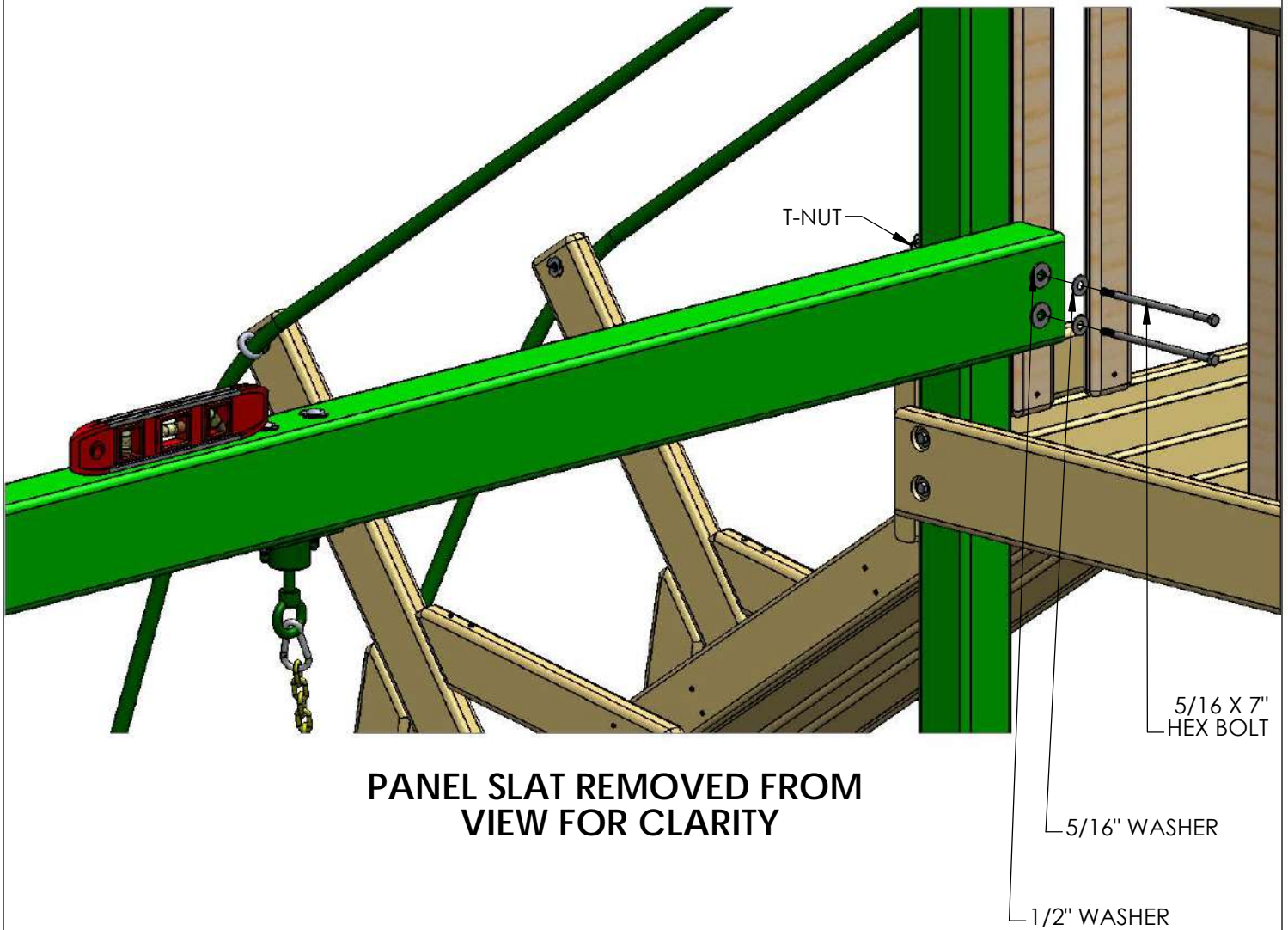
1: INSTALL T-NUTS IN THE PREVIOUSLY DRILLED HOLES AS SHOWN BELOW.

2: LINE UP THE PILOT HOLES AT THE END OF THE TIRE SWING BEAM WITH THE PREVIOUSLY DRILLED HOLES IN THE CORNER POST.

3: FASTEN THE TIRE SWING BEAM TO THE CORNER POST USING 5/16 X 7" HEX BOLTS WITH 5/16" AND 1/2" WASHERS THROUGH THE TIRE SWING BEAM AND CORNER POST, INTO THE T-NUTS.

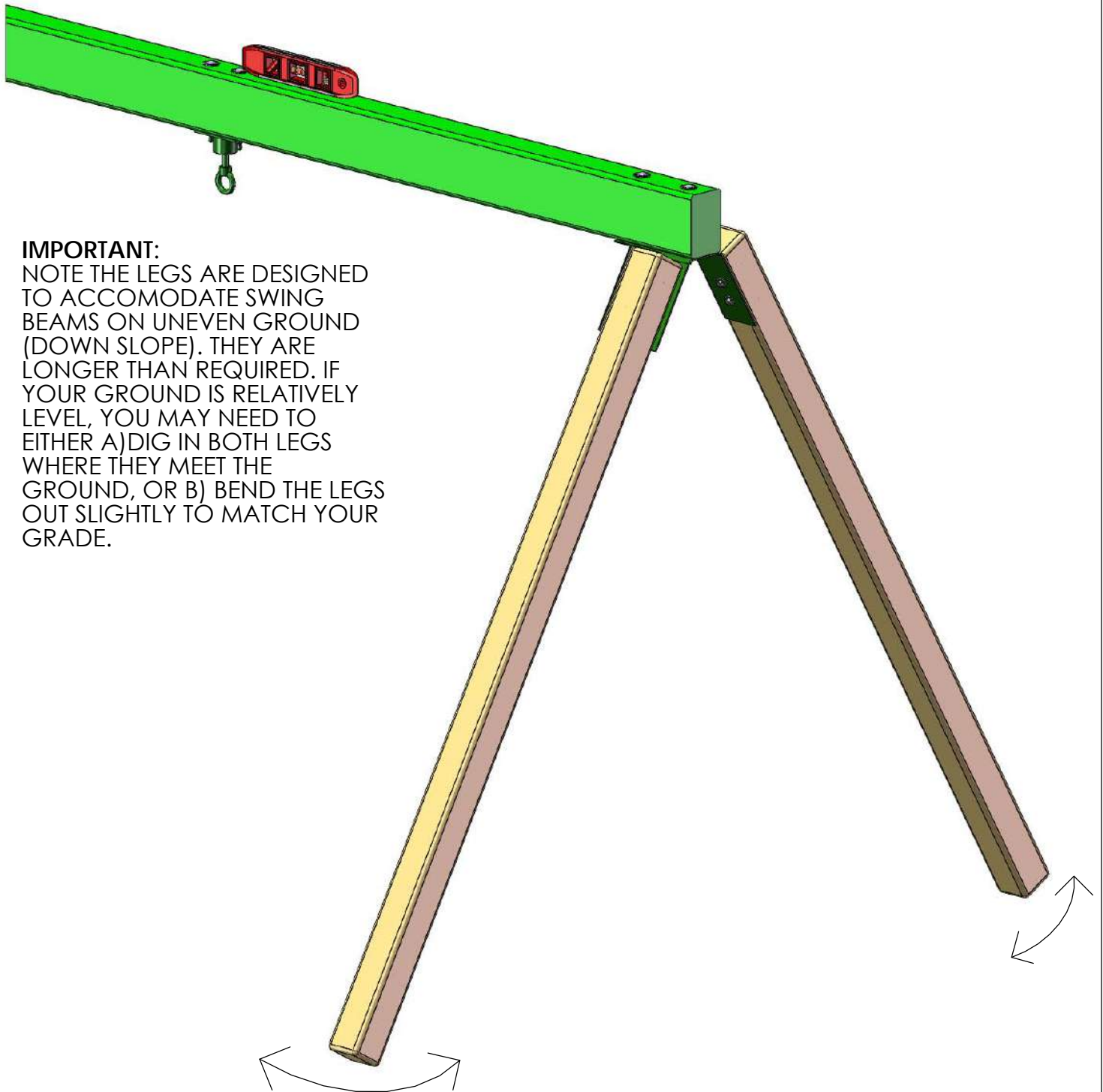
4: AFTER THE TIRE SWING BEAM HAS BEEN SECURED, INSTALL THE 5/4 X 3 X 28-1/4" PANEL SLAT FLUSH TO THE SIDE OF THE TIRE SWING BEAM WITH 2" WOOD SCREWS.

5: THE END OF THE 7" HEX BOLTS SHOULD NOT EXTEND PAST THE FLANGED SIDE OF THE T-NUT. IF IT DOES THEN PUT 5/16" BOLT CAPS OVER THE THREADED ENDS OF THE HEX BOLTS.



STEP 37: LEVEL TIRE SWING BEAM

1: PLACE A LEVEL ON TOP OF THE TIRE SWING BEAM AND ADJUST THE BEAM LEGS IN OR OUT AS NEEDED TO MAKE THE TIRE SWING BEAM LEVEL.



IMPORTANT:

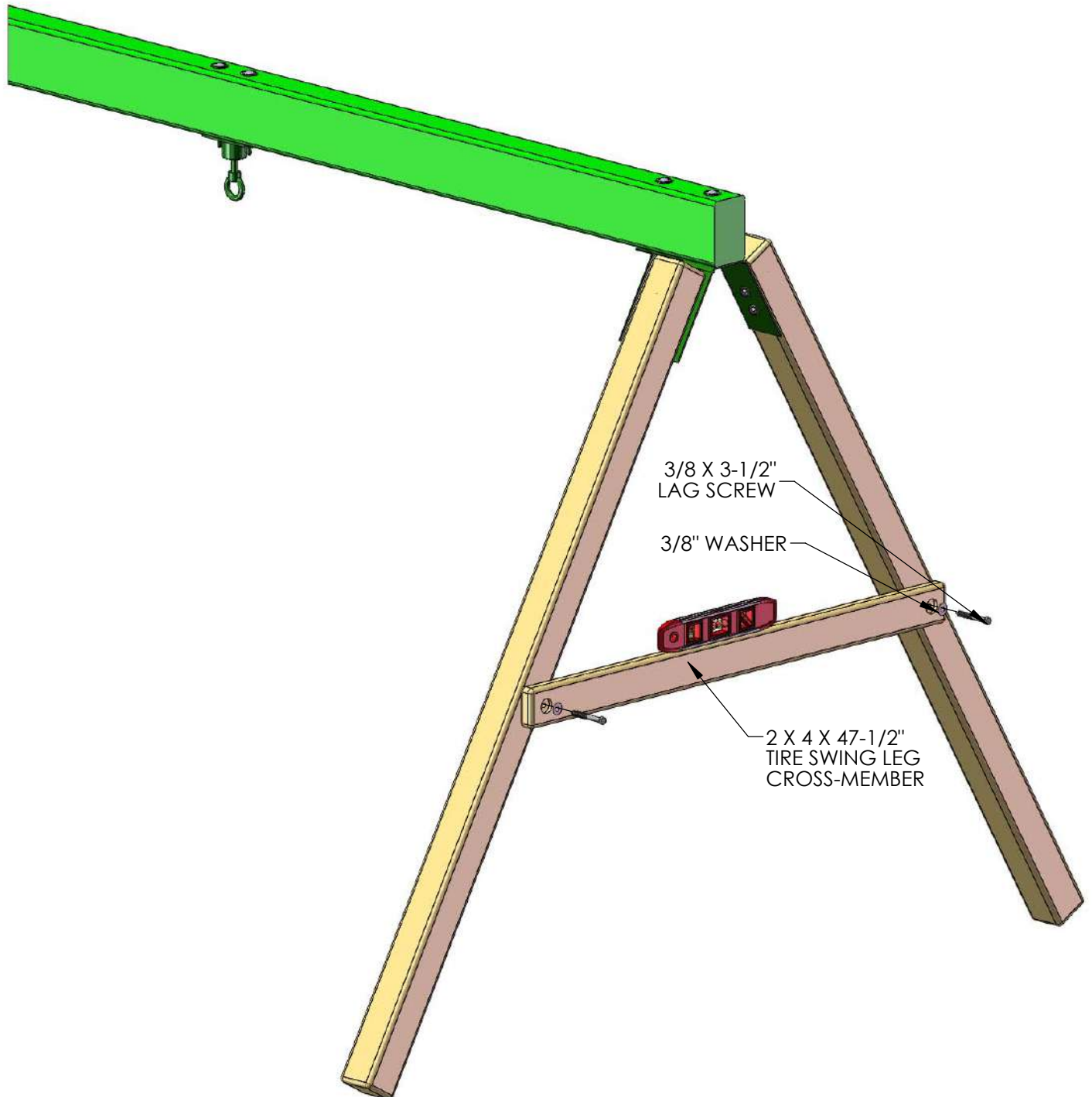
NOTE THE LEGS ARE DESIGNED TO ACCOMODATE SWING BEAMS ON UNEVEN GROUND (DOWN SLOPE). THEY ARE LONGER THAN REQUIRED. IF YOUR GROUND IS RELATIVELY LEVEL, YOU MAY NEED TO EITHER A) DIG IN BOTH LEGS WHERE THEY MEET THE GROUND, OR B) BEND THE LEGS OUT SLIGHTLY TO MATCH YOUR GRADE.

STEP 38: SWING LEG CROSS-MEMBER

1: POSITION THE 2 X 4 X 47-1/2" TIRE SWING LEG CROSS-MEMBER AGAINST THE SWING LEGS.

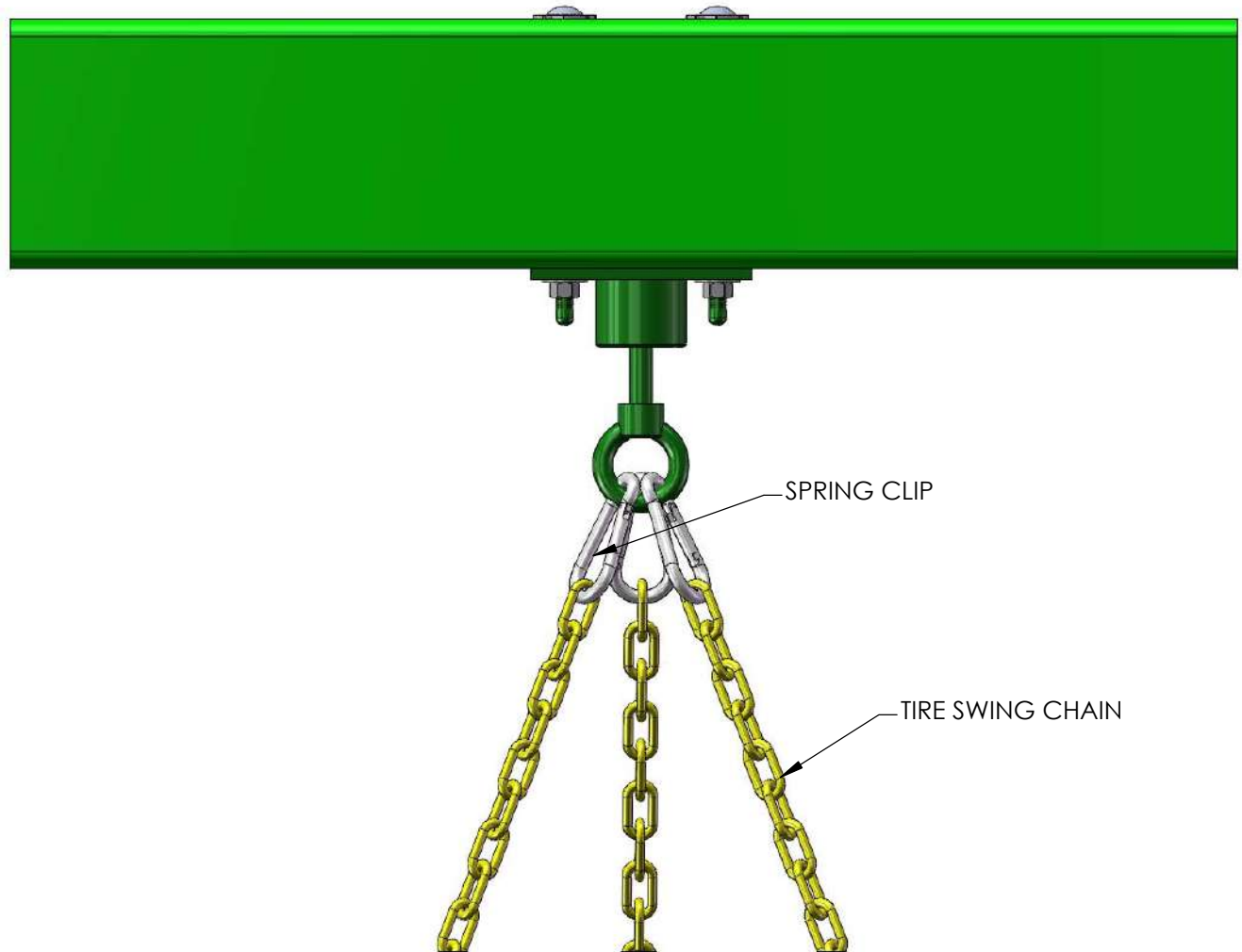
2: LEVEL THE TIRE SWING CROSS-MEMBER AND MARK THE LOCATION OF THE SECURING HOLES INSIDE THE CROSS-MEMBER HOLES ONTO THE SWING LEGS.

3: USE 3/8 X 3-1/2" LAG SCREWS WITH 3/8" WASHERS TO SECURE THE TIRE SWING CROSS-MEMBER TO THE SWING BEAM LEGS.



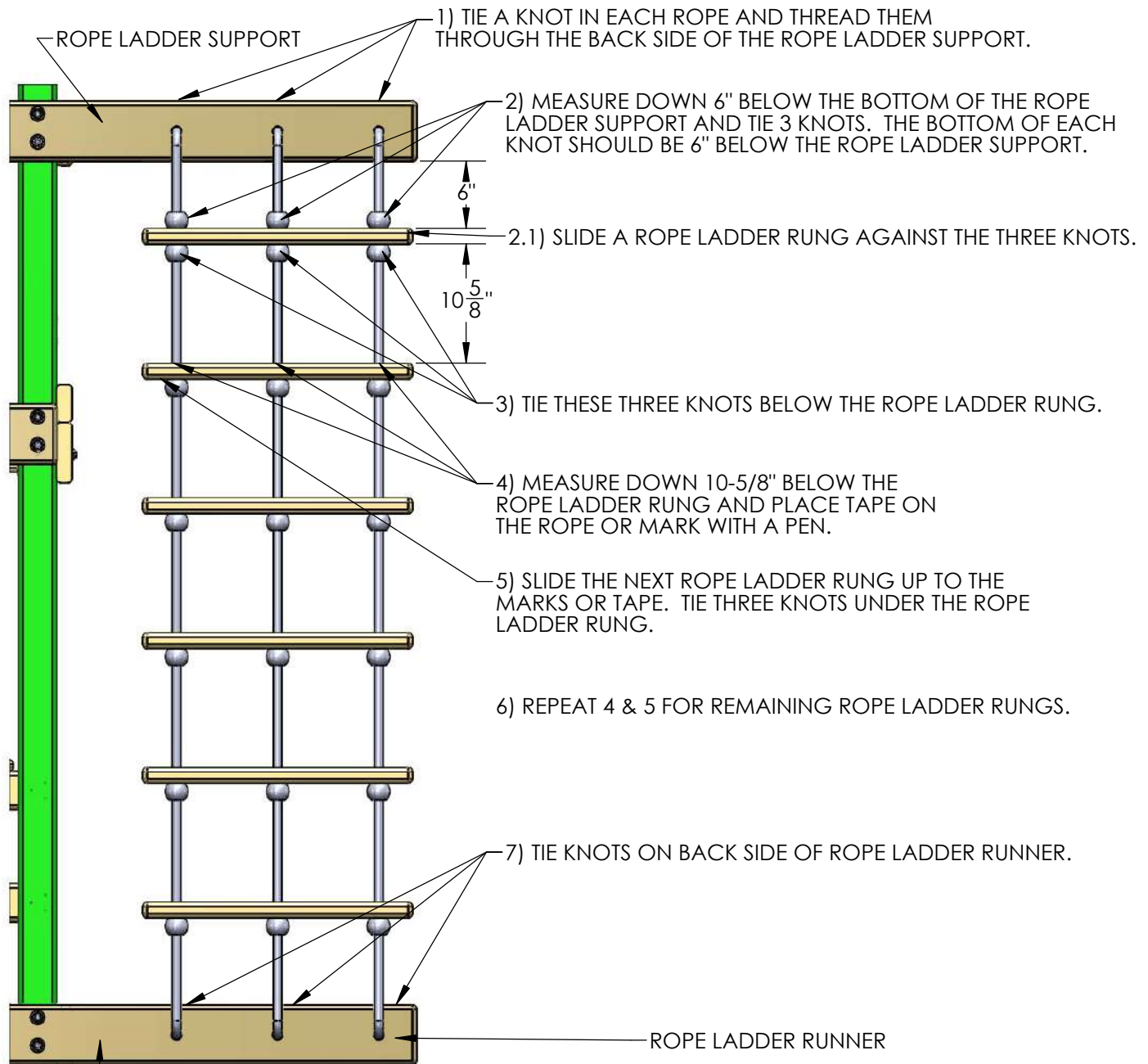
STEP 39: HANGING THE TIRE SWING

- 1: START BY ATTACHING THREE SPRING CLIPS TO THE TIRE SWIVEL ON THE SWING BEAM.
- 2: ATTACH ONE CHAIN AT A TIME TO ONE SPRING CLIP.
- 3: ADJUST HEIGHT AS NEEDED.



STEP 40: ROPE LADDER

- 1: FIND THREE ROPE LADDER ROPES. MAKE A KNOT IN THE END OF EACH ROPE AND THREAD THE FREE END THROUGH THE BACK SIDE OF THE ROPE LADDER SUPPORT. PULL EACH ROPE TAUGHT.
- 2: MEASURE DOWN FROM THE BOTTOM OF THE ROPE LADDER SUPPORT 6 INCHES AND TIE A KNOT. THE BOTTOM OF THE KNOT SHOULD BE 6 INCHES BELOW THE ROPE LADDER SUPPORT. SLIDE EACH ROPE THROUGH THE HOLES IN ONE ROPE LADDER RUNG. SLIDE THE RUNG UP AGAINST THE BOTTOM OF THE KNOTS.
- 3: TIE THREE KNOTS BELOW THE ROPE LADDER RUNG.
- 4: MEASURE DOWN FROM THE BOTTOM OF THE ROPE LADDER RUNG 10-5/8 INCHES AND MAKE A MARK ON THE ROPE WITH A PIECE OF TAPE OR A MARKER. THREAD ANOTHER ROPE LADDER RUNG ONTO THE ROPES.
- 5: WITH THE TOP OF THE RUNG EVEN WITH THE 10-5/8" MARK TIE THREE KNOTS BELOW THE SECOND ROPE LADDER RUNG.
- 6: REPEAT SUBSTEPS 4-5 FOR THE REMAINING ROPE LADDER RUNGS.
- 7: THREAD THE BOTTOM END OF EACH ROPE THROUGH THE HOLES IN THE ROPE LADDER RUNNER AND TIE THEM OFF. GRAB EACH ROPE AND ATTEMPT TO WRAP IT AROUND YOUR HAND. IF THE ROPE WRAPS AROUND YOUR HAND IT IS TOO LOOSE. IF THE ROPE IS TOO LOOSE UNTIE THE KNOT BEHIND THE ROPE LADDER RUNNER AND RETIE IT UNTIL YOU CAN NO LONGER WRAP THE ROPE AROUND YOUR HAND.



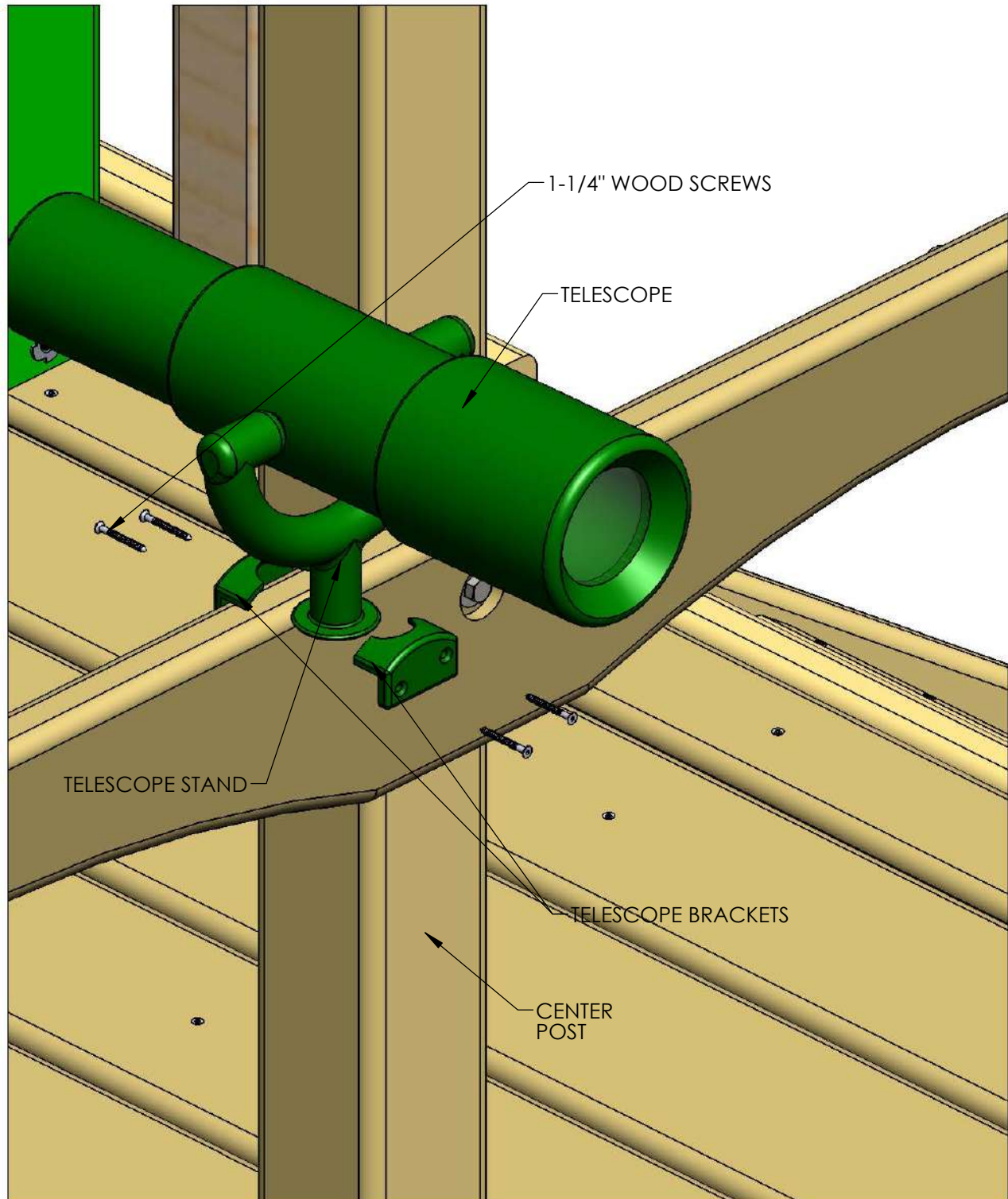
THIS IS THE VIEW AS IF YOU WERE STANDING AT THE FRONT - RIGHT OF THE PLAY SET

STEP 41: MOUNTING THE TELESCOPE

1: WITH THE 1-1/4" WOOD SCREWS PROVIDED IN THE TELESCOPE BAG, FASTEN ONE OF THE SQUARE TELESCOPE BRACKETS TO THE FRONT TOP PANEL BOARD ON THE SLIDE SIDE OF THE CENTER POST.

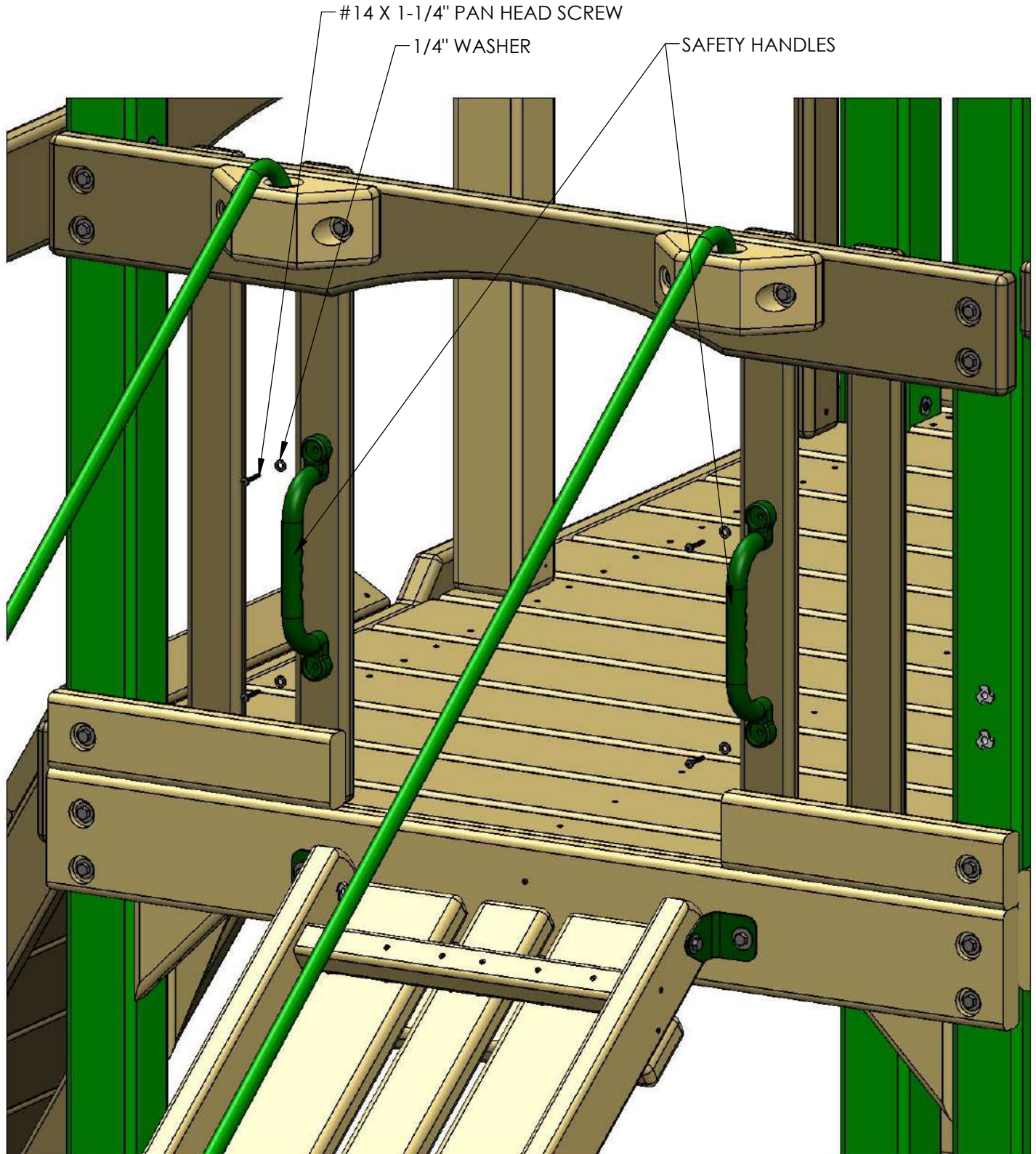
2: PLACE THE TELESCOPE STAND AND TELESCOPE INTO THE SLOT OF THE TELESCOPE BRACKET.

3: FASTEN THE REMAINING TELESCOPE BRACKET TO THE OPPOSITE SIDE THAT THE FIRST TELESCOPE BRACKET WAS INSTALLED ON WITH 1-1/4" WOOD SCREWS PROVIDED WITH THE TELESCOPE.



STEP 42: SAFETY HANDLES

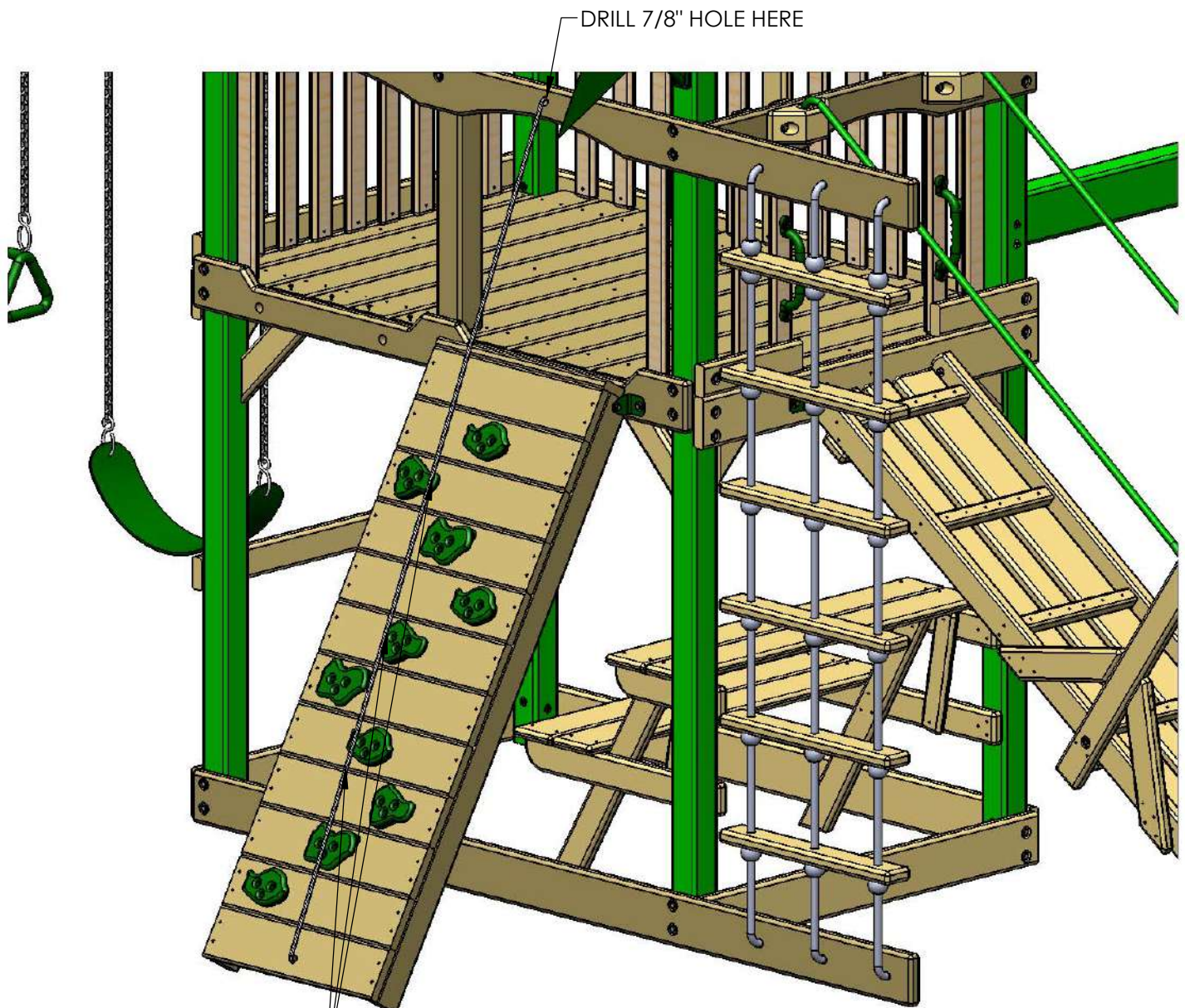
- 1: LOCATE THE SAFETY HANDLE BAG.
- 2: ADJUST THE SAFETY HANDLES UP OR DOWN TO SUIT THE NEEDS OF YOUR CHILD.
- 3: ATTACH EACH SAFETY HANDLE TO THE PANEL SLATS WITH TWO PAN HEAD SCREWS AND TWO WASHERS PROVIDED WITH THE SAFETY HANDLES.



STEP 43: INSTALLING CLIMBING ROPES

- 1: DRILL A 7/8" HOLE THROUGH THE ROPE LADDER SUPPORT (ABOVE THE ROCK WALL) FOR THE CLIMBING ROPE.
- 2: TIE A KNOT AT ONE END OF THE 10' ROPE AND THREAD IT THROUGH THE HOLE IN THE ROPE LADDER SUPPORT.
- 3: THE UNTIED END WILL GO THROUGH THE HOLE OF THE BOTTOM ROCK WALL BOARD. TIE A SECURE KNOT AT THE END MAKING SURE THAT THE ROPE IS TIGHT AND WILL NOT WRAP AROUND YOUR HAND. HINT: TO REDUCE THE AMOUNT OF SLACK IN THE ROPE, LIFT THE ROCK WALL ASSEMBLY SLIGHTLY WHEN TYING THE KNOT IN THE BOTTOM ROCK WALL BOARD. WHEN YOU LOWER THE ASSEMBLY, THE ROPE WILL TIGHTEN.

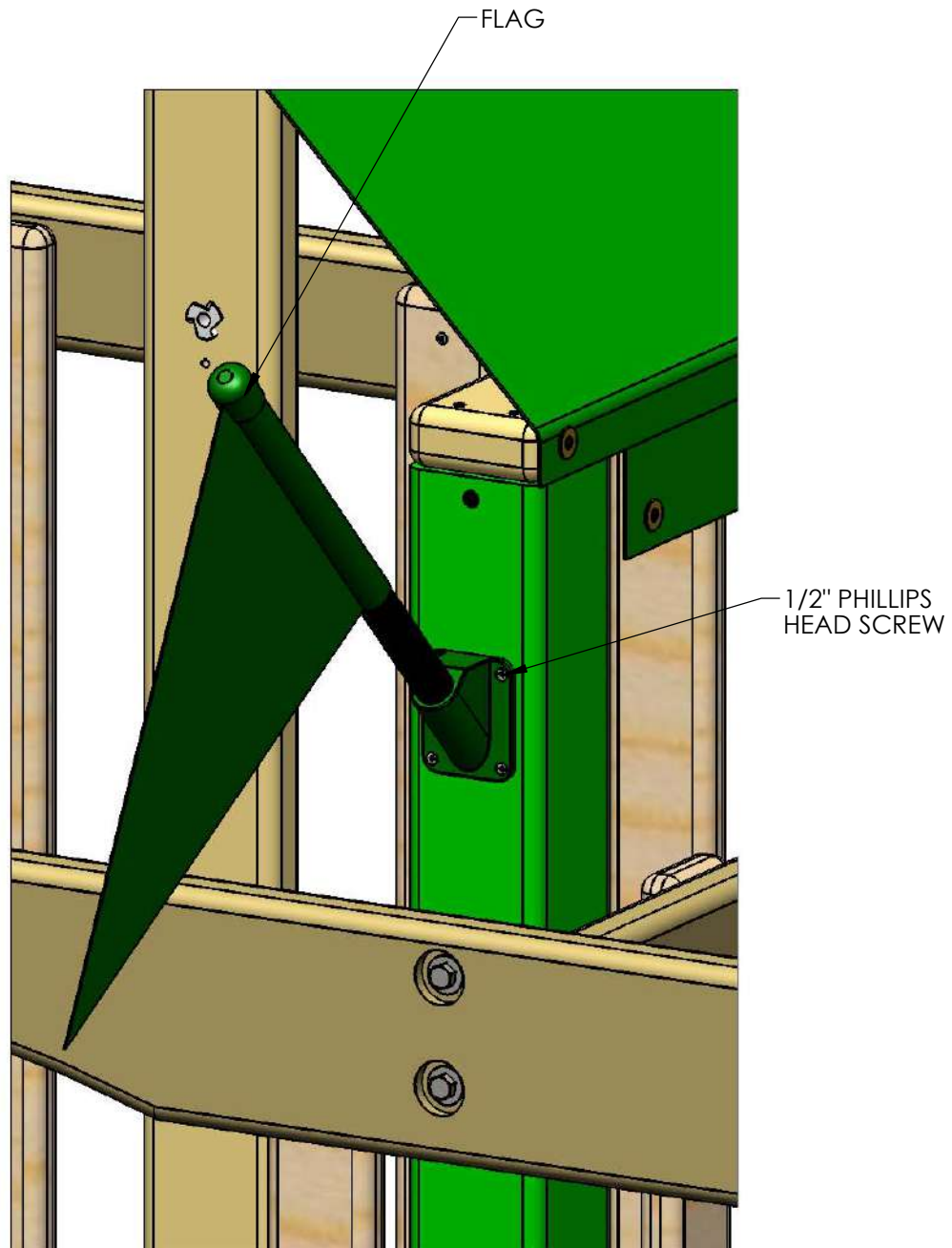
IF THERE IS A LARGE AMOUNT OF EXCESS ROPE ON THE ROCK WALL, YOU CAN TIE THREE KNOTS APPROXIMATELY 18" APART ON THE ROCK WALL TO AID YOUR CHILD IN CLIMBING.



YOU MAY TIE UP TO THREE KNOTS SPACED ABOUT 18" APART TO AID IN CLIMBING.

STEP 44: FLAG KIT

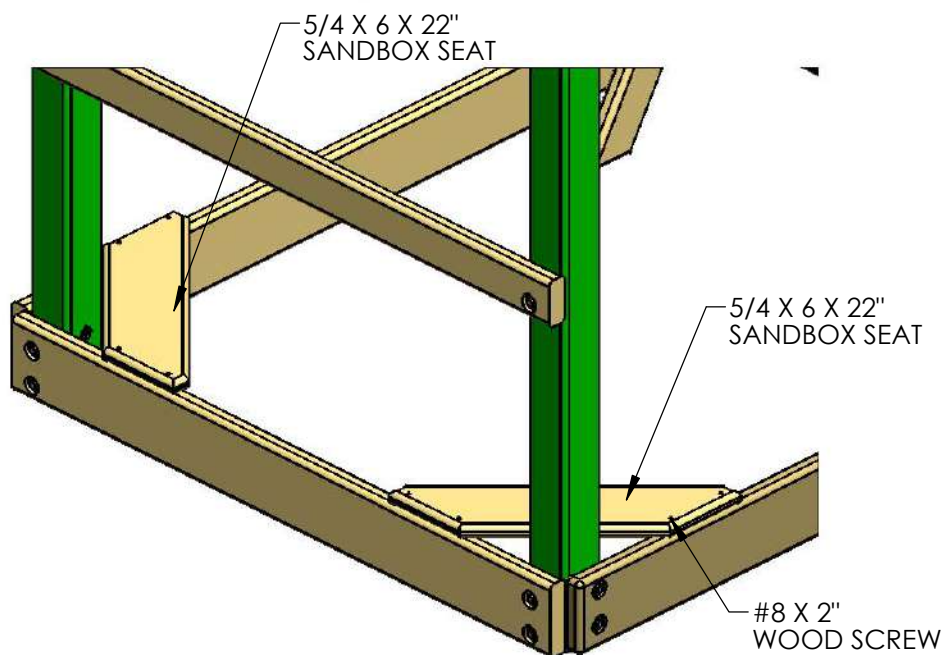
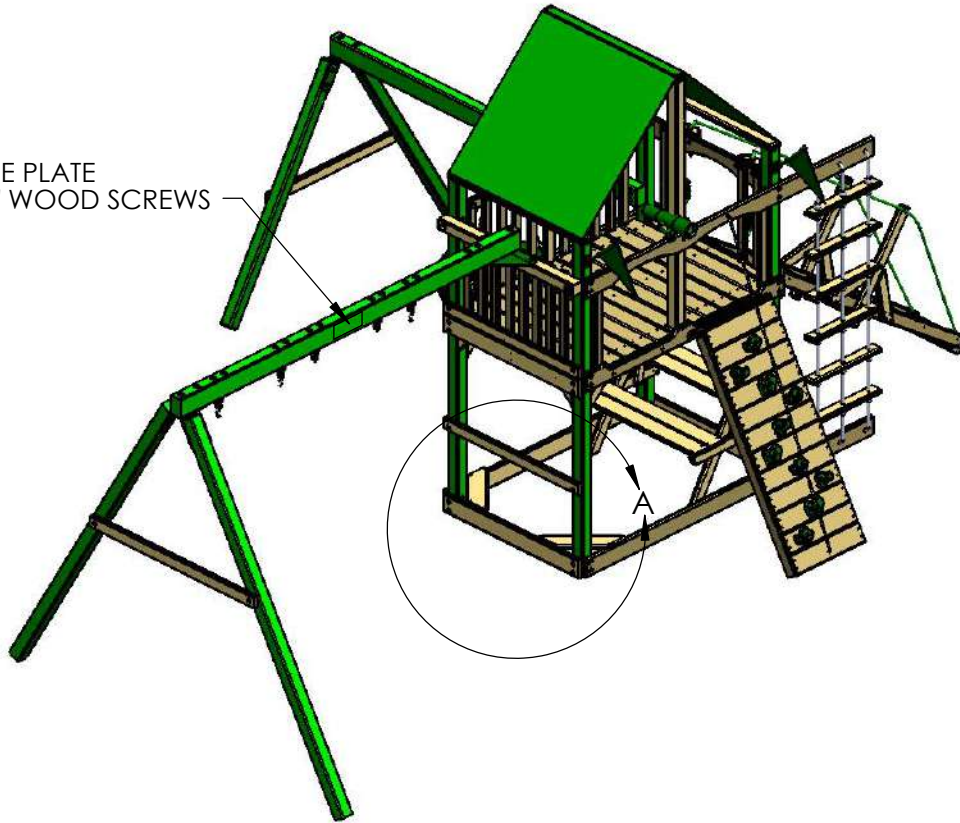
- 1: PLACE A FLAG ON THE CORNER POSTS AT THE FRONT OF THE FORT.
- 2: ATTACH THE BASE OF THE FLAG WITH THE 1/2" PHILLIPS HEAD SCREWS PROVIDED.
****DO NOT OVER-TIGHTEN****



STEP 45: SANDBOX SEATS AND NAMEPLATE

- 1: PLACE THE 5/4 X 6 X 22" SANDBOX SEATS ONTO THE TOP OF THE SANDBOX BOARDS AS SHOWN BELOW.
- 2: ATTACH THE SANDBOX SEATS TO THE SANDBOX BOARDS WITH #8 X 2" WOOD SCREWS.
- 3: LOCATE THE NAME PLATE FOR YOUR PLAY SET. ATTACH THE NAME PLATE TO THE FRONT OF THE SWING BEAM WITH #8 X 1" WOOD SCREWS.

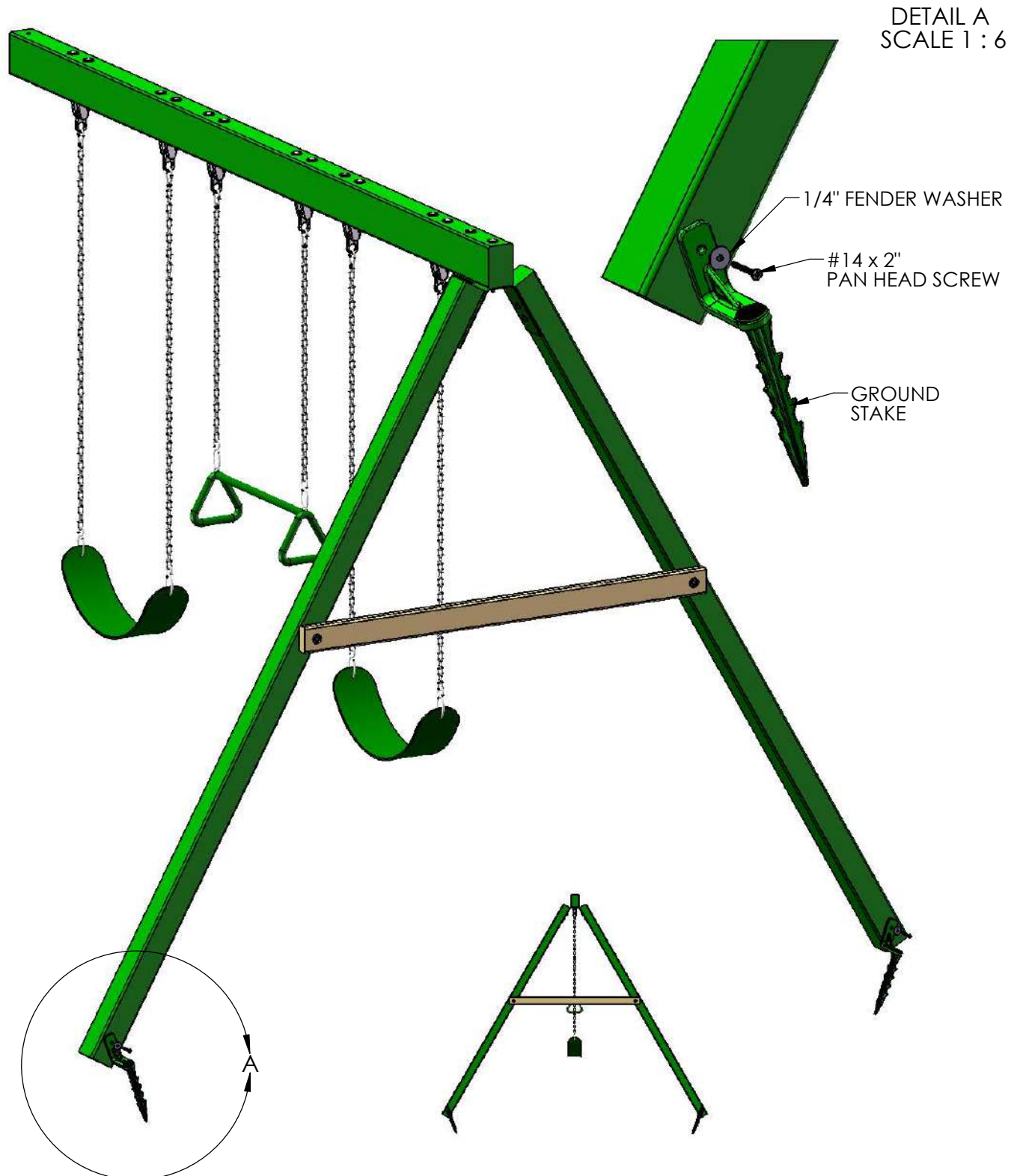
ATTACH NAME PLATE
HERE WITH 1" WOOD SCREWS



STEP 46: GROUND STAKES

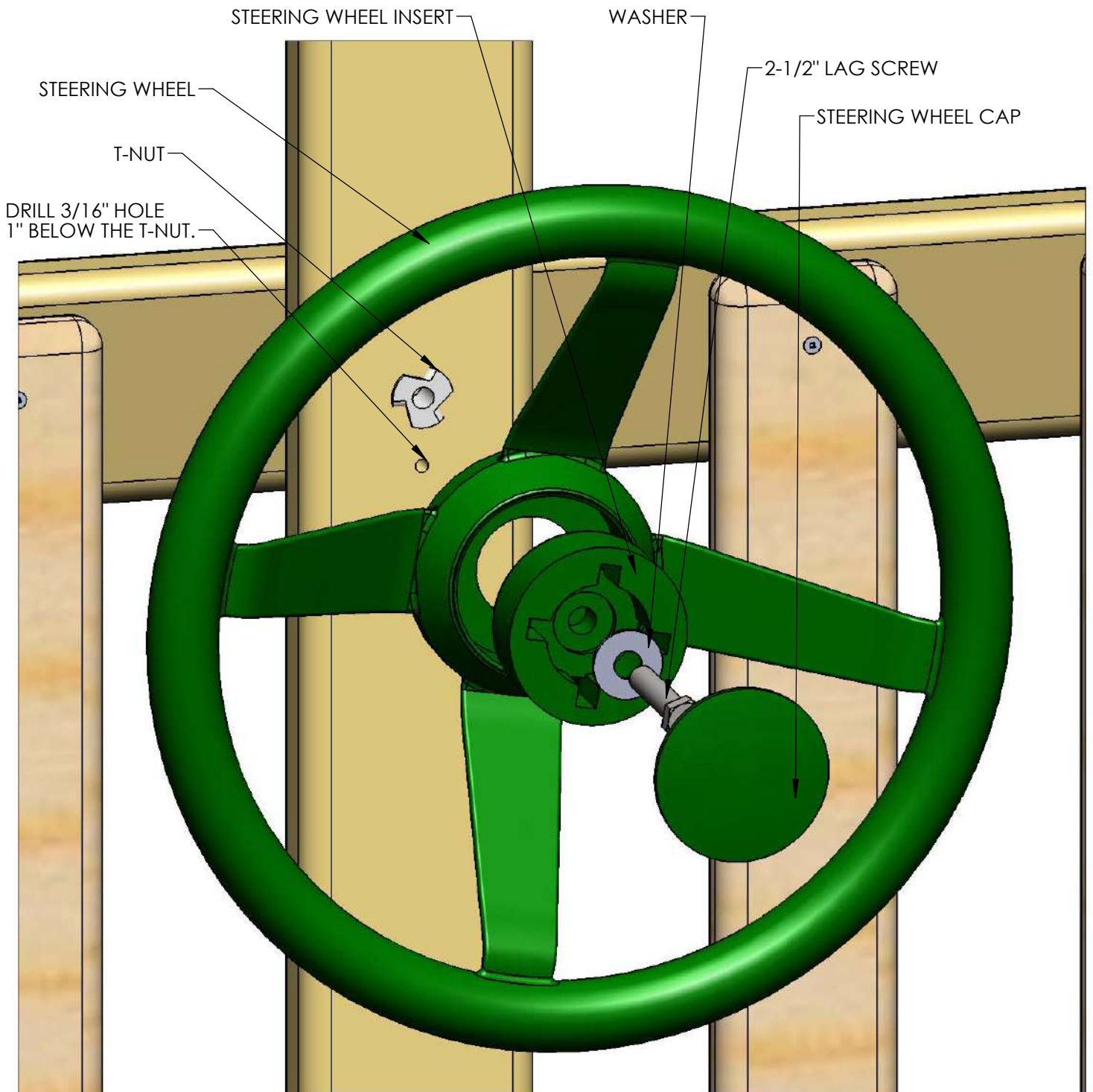
1: HAMMER A GROUND STAKE INTO THE EARTH NEXT TO EACH SWING LEG AT AN ANGLE. DO NOT HOLD THE UPPER PORTION OF THE STAKE AFTER THE FIRST COUPLE OF HITS OR IT MAY VIBRATE HARSHLY AGAINST YOUR HAND. IF THE TOP PART OF THE STAKE TWISTS WHEN IT ENCOUNTERS A ROCK OR ROOT YOU MAY HAVE TO BEND THE TOP PORTION OF THE STAKE AGAINST THE SWING LEG. FINALLY INSTALL THE SCREW AND WASHER.

2: ATTACH EACH GROUND STAKE TO THE SWING LEG WITH A #14 X 2" PAN HEAD SCREW AND A 1/4" FENDER WASHER PROVIDED WITH THE GROUND STAKE.



STEP 47: STEERING WHEEL

- 1: GO TO THE REAR CENTER TARP SUPPORT ON THE DECK.
- 2: DRILL A 3/16" PILOT HOLE 1" BELOW THE CENTER OF THE T-NUT. DRILL THE HOLE 2" DEEP.
- 3: PLACE THE STEERING WHEEL INSERT INSIDE THE STEERING WHEEL.
- 4: USE THE 2-1/2" LAG SCREW AND WASHER TO FASTEN THE STEERING WHEEL TO THE REAR CENTER POST. DO NOT OVER-TIGHTEN THE LAG SCREW OR THE STEERING WHEEL WILL NOT TURN.
- 5: PLACE THE STEERING WHEEL CAP OVER THE CENTER OF THE STEERING WHEEL AND SNAP IT INTO THE STEERING WHEEL INSERT.



PART 2

CLATTER BRIDGE ASSEMBLY

STEP 1: ATTACHING T-NUTS TO THE CORNER POSTS

1: THIS STEP IS CRITICAL TO BUILDING THE FORT PROPERLY. IF ANY MISTAKES ARE MADE HERE, YOU WILL NEED TO DIS-ASSEMBLE AND THEN RE-ASSEMBLE TO MAKE YOUR CORRECTIONS.

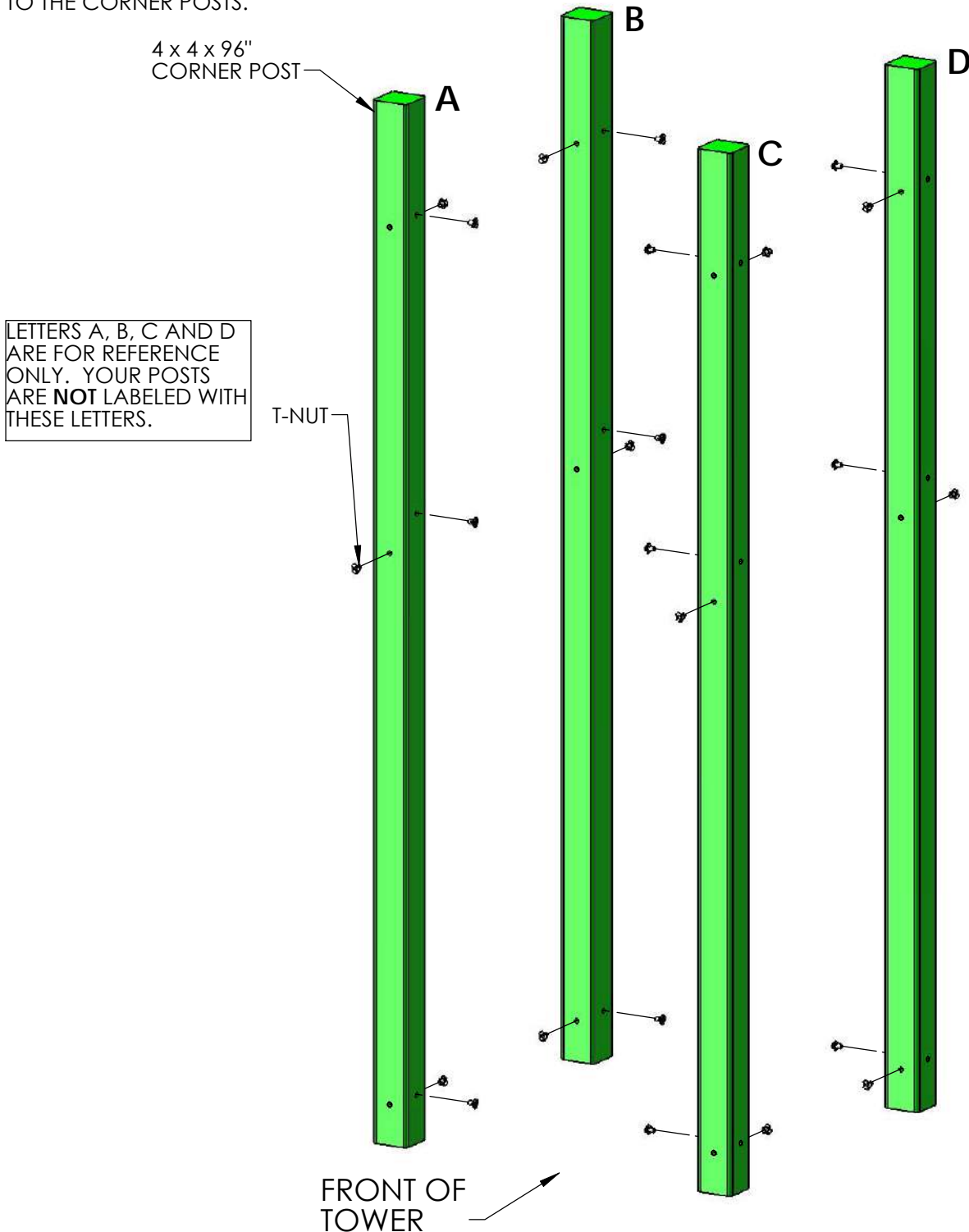
2: MAKE SURE HOLES ARE FREE OF ANY OBSTRUCTIONS. USE A BOLT TO CLEAN OUT ANY DEBRIS.

3: LAY OUT EACH OF THE 4 X 4 X 96" CORNER POSTS IN THE AREA YOU INTEND ON BUILDING THE TOWER OF THE CLATTER BRIDGE.

4: USE THE DIAGRAM BELOW TO CORRECTLY IDENTIFY AND ORIENT THE NECESSARY DIRECTION THE POSTS SHOULD FACE. NOTE LETTERS A, B, C AND D ARE FOR REFERENCE ONLY. YOUR POSTS ARE **NOT** LABELED WITH THESE LETTERS.

5: USE A HAMMER TO SEAT THE T-NUTS AFTER INSERTING THEM INTO THE HOLES SHOWN IN THE DIAGRAM BELOW.

6: THE BARREL OF THE T-NUT SHOULD GO IN THE HOLE FIRST. HAMMER THE T-NUT UNTIL IT IS FLUSH/ALMOST FLUSH TO THE CORNER POSTS.



STEP 2: ASSEMBLING THE RIGHT SIDE FRAME

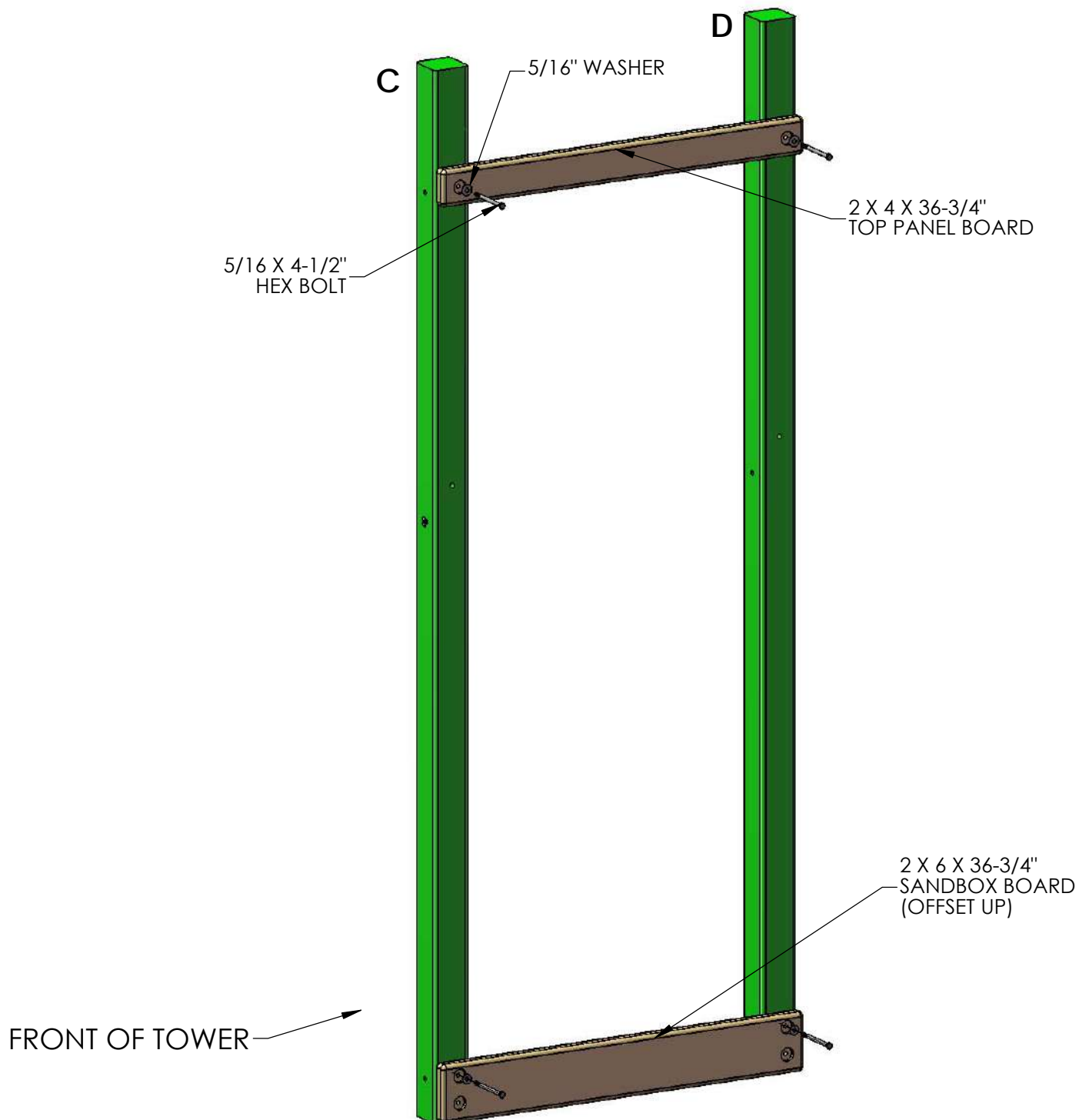
1: LAY THE 2 X 6 X 36-3/4" SANDBOX BOARD ON TOP OF THE RIGHT SIDE CORNER POSTS AT THE BOTTOM OF THE CORNER POSTS. THE COUNTERSUNK HOLES IN THE SANDBOX BOARD MUST BE OFFSET UP.

2: USE 5/16 X 4-1/2" HEX BOLTS AND 5/16" WASHERS TO ATTACH THE TOP HOLES OF THE SANDBOX BOARD TO THE T-NUTS INSTALLED ON THE CORNER POSTS. THE BOTTOM HOLES WILL BE USED LATER.

3: LAY THE 2 X 4 X 36-3/4" TOP PANEL BOARD ON TOP OF THE RIGHT SIDE CORNER POSTS.

4: USE 5/16 X 4-1/2" HEX BOLTS AND 5/16" WASHERS TO ATTACH THE COUNTERSUNK HOLES OF THE TOP PANEL BOARD TO THE T-NUTS INSTALLED ON THE CORNER POSTS.

5: DO NOT INSTALL LAG SCREWS AT THIS TIME.



STEP 3: ASSEMBLING THE LEFT SIDE FRAME

1: LAY THE 2 X 6 X 36-3/4" SANDBOX BOARD ON TOP OF THE LEFT SIDE CORNER POSTS AT THE BOTTOM OF THE CORNER POSTS. THE COUNTERSUNK HOLES IN THE SANDBOX BOARD MUST BE OFFSET UP.

2: USE 5/16 X 4-1/2" HEX BOLTS AND 5/16" WASHERS TO ATTACH THE TOP HOLES OF THE SANDBOX BOARD TO THE T-NUTS INSTALLED ON THE CORNER POSTS. THE BOTTOM HOLES WILL BE USED LATER.

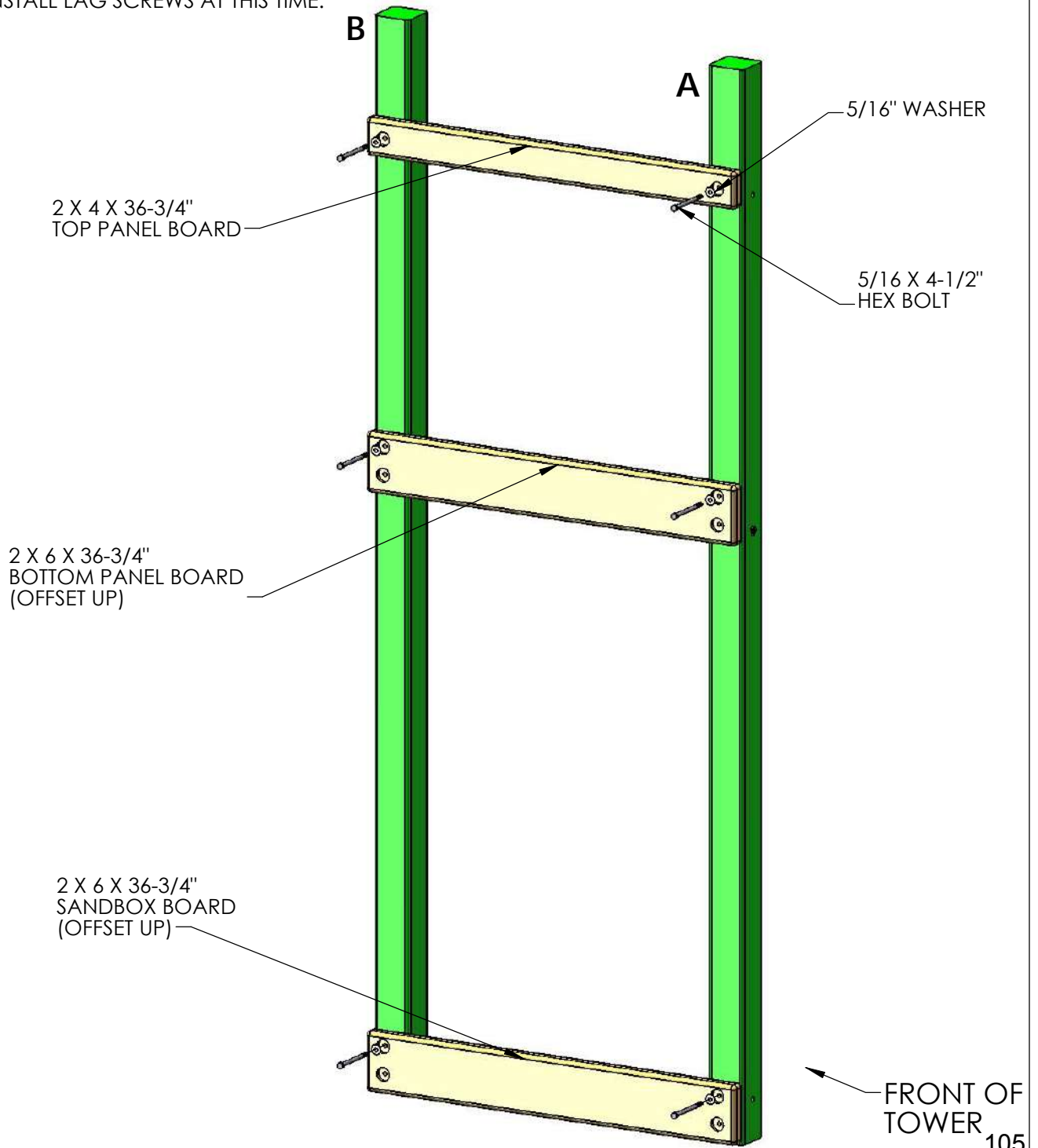
3: LAY THE 2 X 6 X 36-3/4" BOTTOM PANEL BOARD ON TOP OF THE LEFT SIDE CORNER POSTS IN THE MIDDLE OF THE CORNER POSTS. THE COUNTERSUNK HOLES IN THE BOTTOM PANEL BOARD MUST BE OFFSET UP.

4: USE 5/16 X 4-1/2" HEX BOLTS AND 5/16" WASHERS TO ATTACH THE TOP HOLES OF THE BOTTOM PANEL BOARD TO THE T-NUTS INSTALLED ON THE CORNER POSTS. THE BOTTOM HOLES WILL BE USED LATER.

5: LAY THE 2 X 4 X 36-3/4" TOP PANEL BOARD ON TOP OF THE LEFT SIDE CORNER POSTS.

6: USE 5/16 X 4-1/2" HEX BOLTS AND 5/16" WASHERS TO ATTACH THE COUNTERSUNK HOLES OF THE TOP PANEL BOARD TO THE T-NUTS INSTALLED ON THE CORNER POSTS.

7: DO NOT INSTALL LAG SCREWS AT THIS TIME.

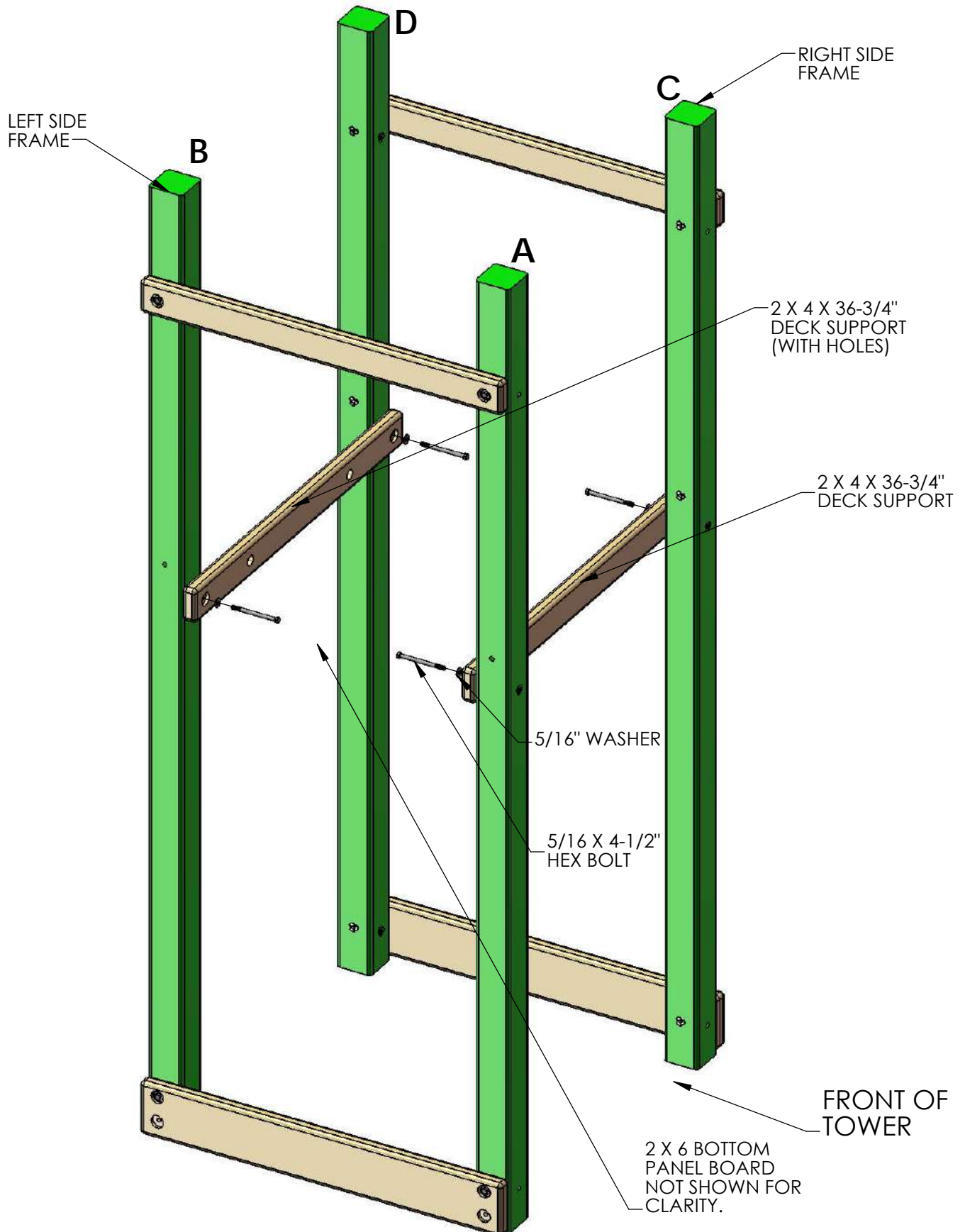


STEP 4: DECK SUPPORTS

YOU WILL NEED AN EXTRA PERSON FOR THIS STEP.

1: WITH HELP, STAND UP THE LEFT AND RIGHT SIDE ASSEMBLIES.

2: FASTEN THE 2 X 4 X 36-3/4" DECK SUPPORTS TO THE HOLES AT 54-1/2" WITH 5/16 X 4-1/2" HEX BOLTS AND 5/16" WASHERS FROM THE INSIDE OF THE CORNER POST.



STEP 5: FRONT FRAME ASSEMBLY

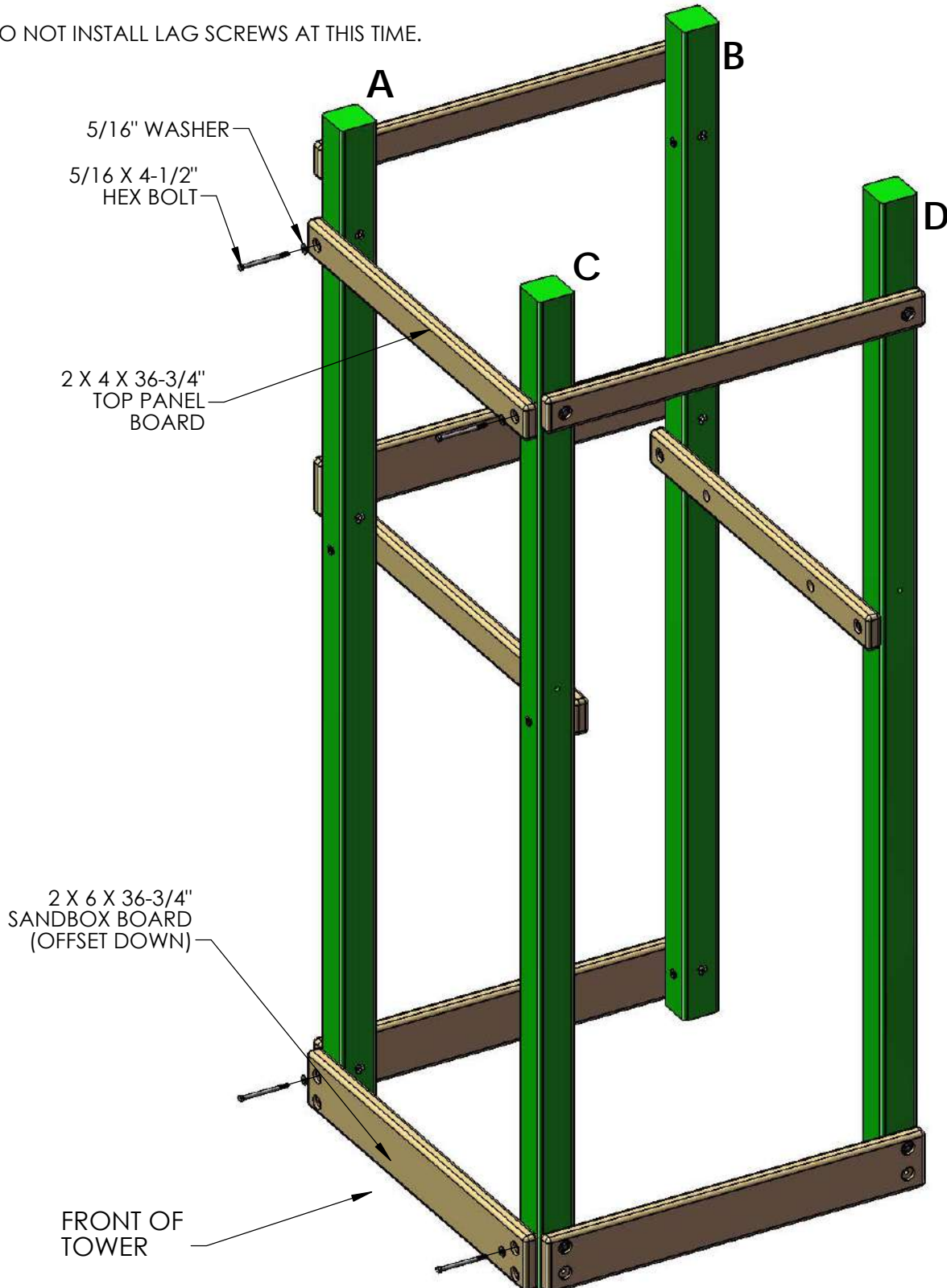
1: PLACE THE 2 X 6 X 36-3/4" SANDBOX BOARD ON THE FRONT OF THE CORNER POSTS. THE HOLES IN THE SANDBOX BOARD SHOULD BE OFFSET DOWN.

2: USE 5/16 X 4-1/2" HEX BOLTS AND 5/16" WASHERS TO ATTACH THE TOP HOLES OF THE SANDBOX BOARD TO THE T-NUTS INSTALLED ON THE CORNER POSTS. THE BOTTOM HOLES WILL BE USED LATER.

3: PLACE THE 2 X 4 X 36-3/4" TOP PANEL BOARD ON THE FRONT OF THE CORNER POSTS.

4: USE 5/16 X 4-1/2" HEX BOLTS AND 5/16" WASHERS TO ATTACH THE HOLES OF THE TOP PANEL BOARD TO THE T-NUTS INSTALLED ON THE CORNER POSTS.

5: DO NOT INSTALL LAG SCREWS AT THIS TIME.



STEP 6: REAR FRAME ASSEMBLY

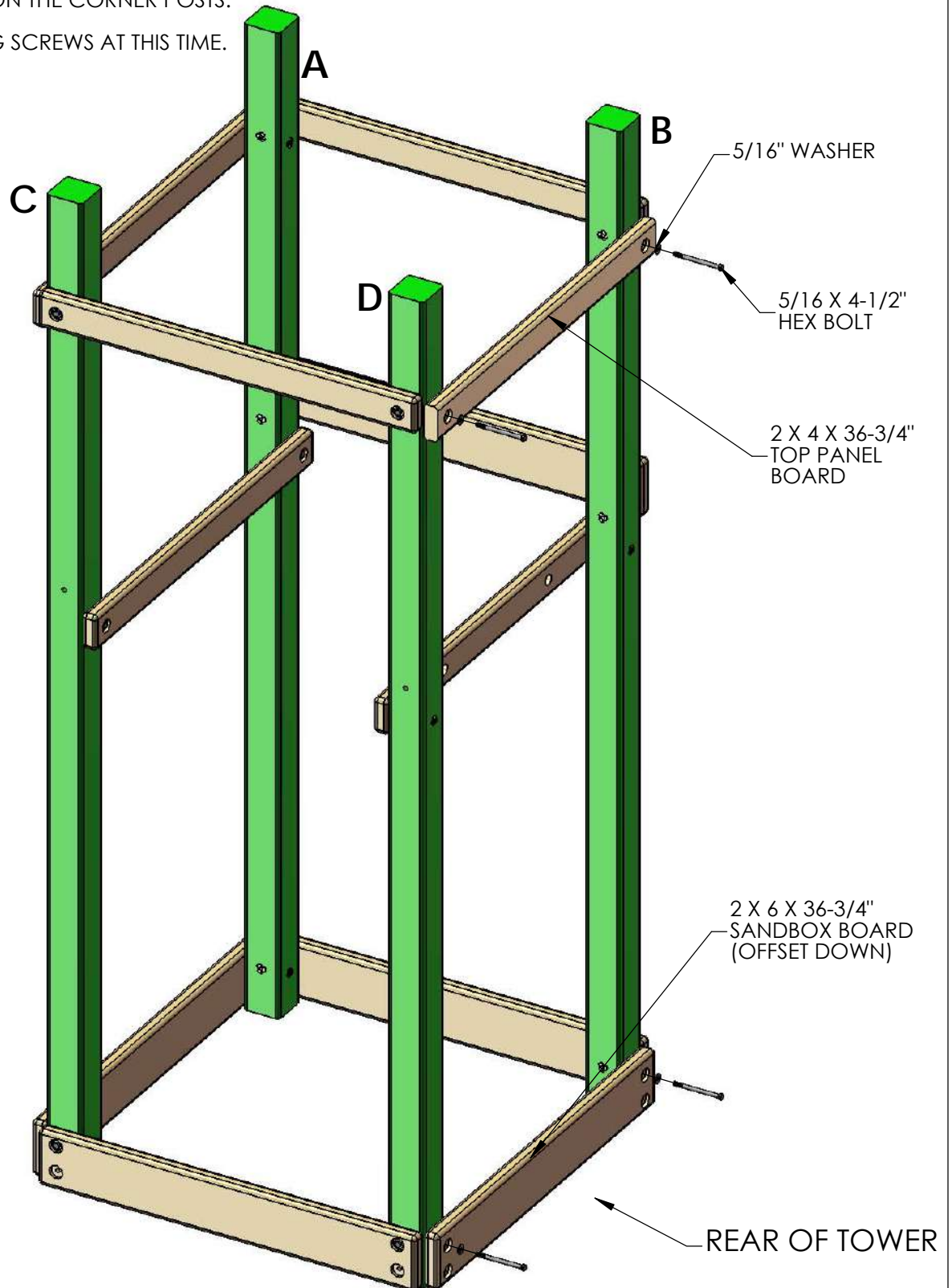
1: PLACE THE 2 X 6 X 36-3/4" SANDBOX BOARD ON THE REAR OF THE CORNER POSTS. THE HOLES IN THE SANDBOX BOARD SHOULD BE OFFSET DOWN.

2: USE 5/16 X 4-1/2" HEX BOLTS AND 5/16" WASHERS TO ATTACH THE TOP HOLES OF THE SANDBOX BOARD TO THE T-NUTS INSTALLED ON THE CORNER POSTS. THE BOTTOM HOLES WILL BE USED LATER.

3: PLACE THE 2 X 4 X 36-3/4" TOP PANEL BOARD ON THE REAR OF THE CORNER POSTS.

4: USE 5/16 X 4-1/2" HEX BOLTS AND 5/16" WASHERS TO ATTACH THE HOLES OF THE TOP PANEL BOARD TO THE T-NUTS INSTALLED ON THE CORNER POSTS.

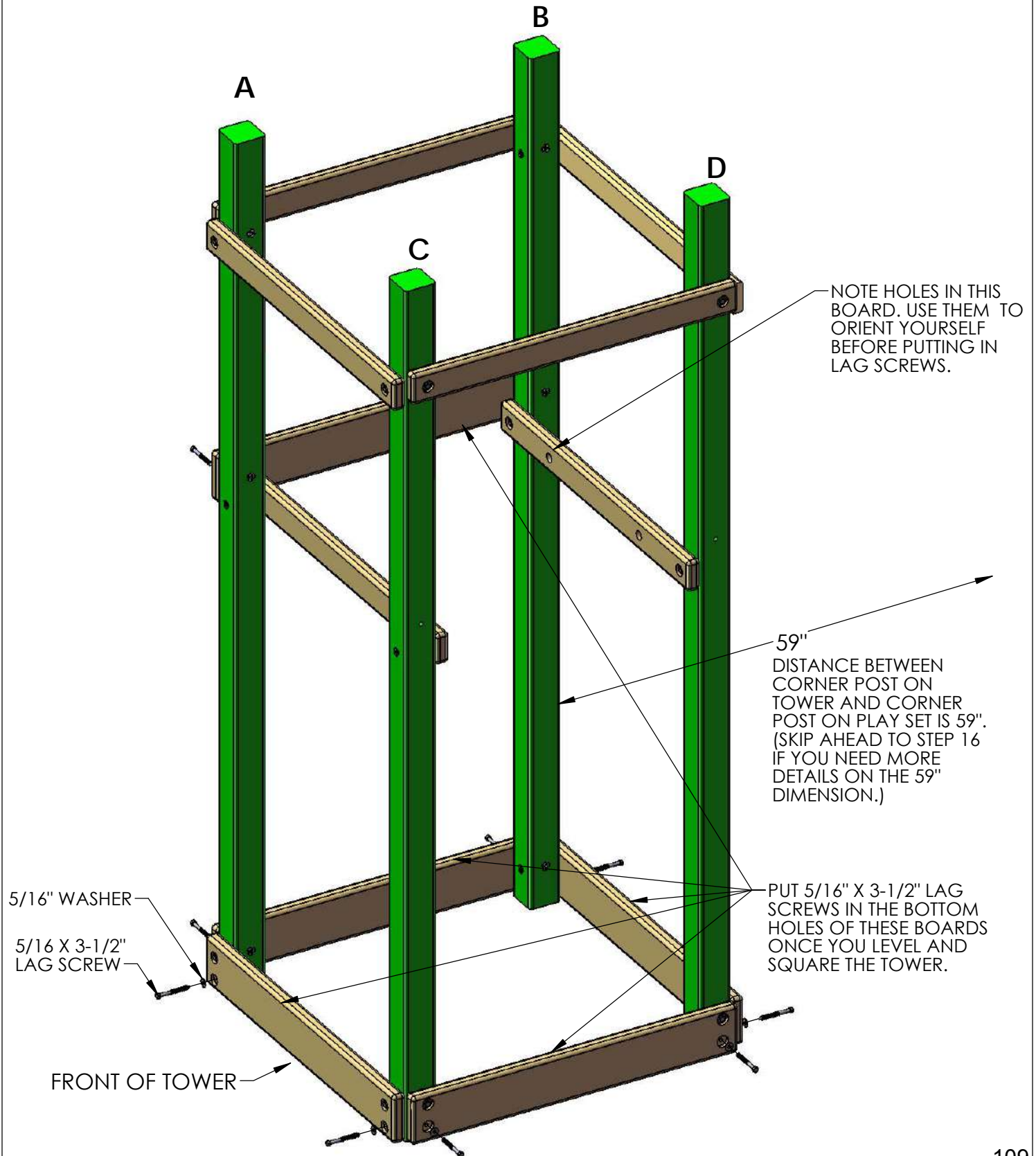
5: DO NOT INSTALL LAG SCREWS AT THIS TIME.



STEP 7: LAG SCREWS

1: PLACE THE FRAME IN ITS FINAL POSITION AND FOLLOW THE PROCEDURES AT THE FRONT OF THE MANUAL TO LEVEL AND SQUARE THE STRUCTURE. TO SQUARE AND LEVEL THE DECK OF THE TOWER TO THE DECK OF THE FORT PLACE A DECK BOARD ACROSS THE 2 X 4'S. THEN PLACE A 2 X 4 X 66" BRIDGE RAIL ON TOP OF THE DECK BOARD AND ON TOP OF THE FORT DECK. PLACE A LEVEL ON TOP OF THE 66" BRIDGE RAIL, THEN MAKE THE DECKS LEVEL TO ONE ANOTHER.

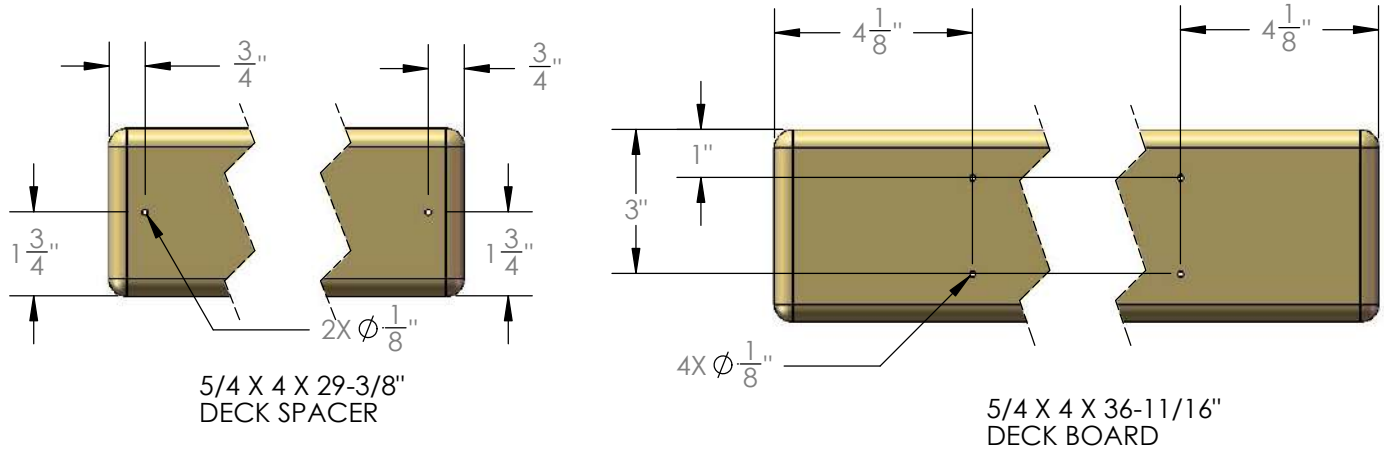
2: ONCE THE FRAME IS LEVEL, SQUARE, AND SET INTO POSITION; GO BACK AND INSERT THE 5/16 X 3-1/2" LAG SCREWS AND 5/16" WASHERS IN THE REMAINING HOLES OF THE 2 X 6 PARTS SHOWN BELOW. NOTE: THERE WILL NOT BE ANY PREDRILLED HOLES IN THE CORNER POSTS FOR THE LAG SCREWS.



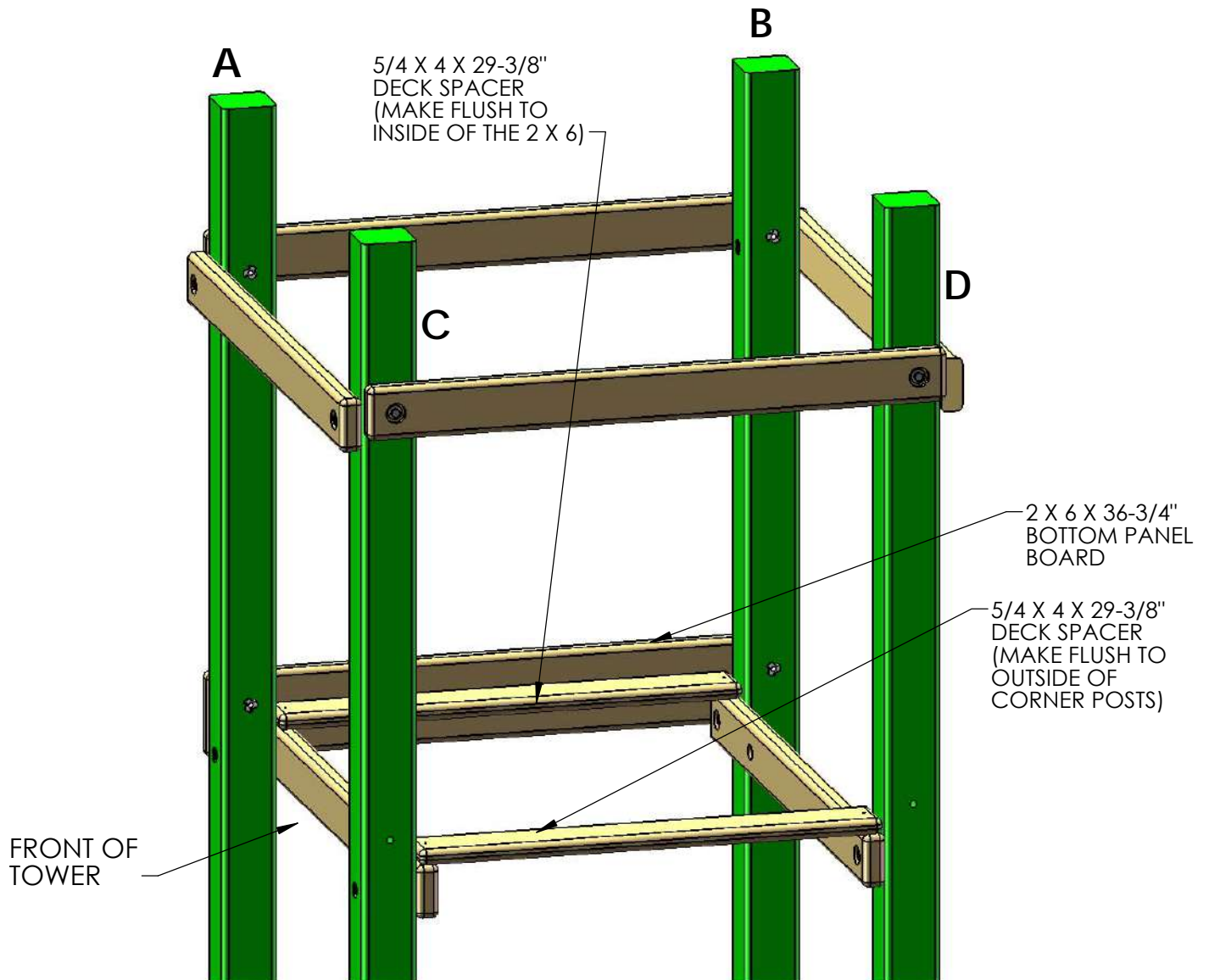
STEP 8: DECK BOARDS

THE FOLLOWING STEP IS RECOMMENDED TO PREVENT POSSIBLE SPLITS IN THE WOOD

1: IF YOUR DECK SPACERS AND DECKBOARDS ARE NOT ALREADY PRE-DRILLED THEN PRE-DRILL THEM TO PREVENT INSTALLATION DAMAGE. PRE-DRILL BOTH ENDS WITH A 1/8" DRILL BIT USING THE DIMENSIONS SHOWN BELOW.



2: PLACE THE 5/4 X 4 X 29-3/8" DECK SPACERS BETWEEN THE CORNER POSTS. MAKE EACH DECK SPACER FLUSH TO THE INSIDE SURFACE OF THE 2 X 6 OR THE OUTSIDE SURFACE OF THE CORNER POSTS. DO NOT ATTACH THE DECK SPACERS YET.

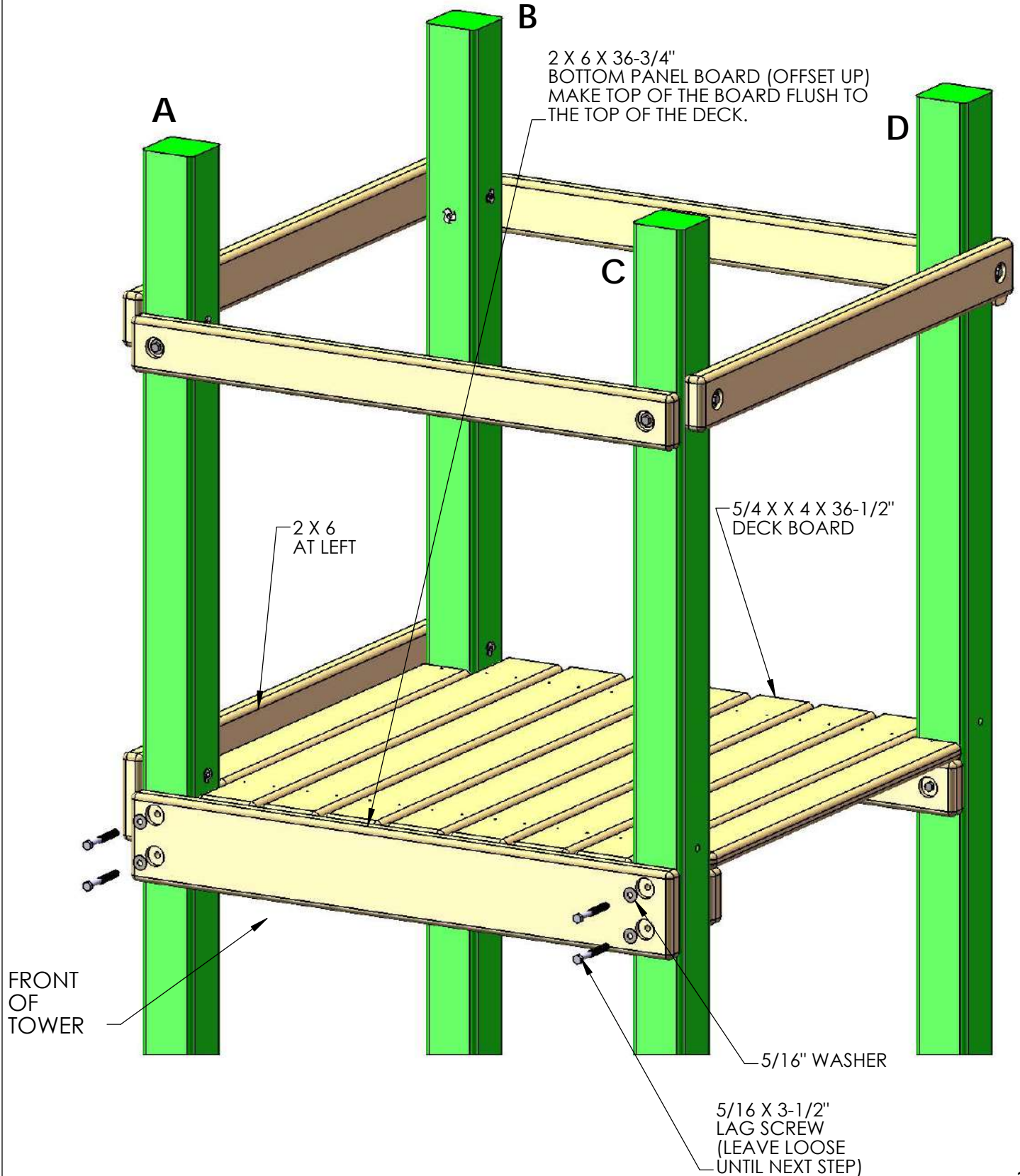


STEP 9: FRONT FACE BOARD

1: PLACE THE 5/4 X 4 X 36-1/2" DECK BOARDS ON TOP OF THE DECK SUPPORTS. DO NOT FASTEN THE DECK BOARDS AT THIS TIME.

2: PLACE THE 2 X 6 X 36-3/4" BOTTOM PANEL BOARD AGAINST THE FRONT CORNER POSTS. THE TOP OF THE BOTTOM PANEL BOARD SHOULD FLUSH TO THE TOP OF THE DECK.

3: FASTEN THE BOTTOM PANEL BOARD TO THE CORNER POSTS WITH 5/16 X 3-1/2" LAG SCREWS WITH 5/16" WASHERS. LEAVE THE LAG SCREWS LOOSE UNTIL THE NEXT STEP.



STEP 10: REAR BOTTOM PANEL BOARD

1: LOOSEN UP THE FASTENERS IN THE 2 X 6 ON THE LEFT SIDE OF THE TOWER.

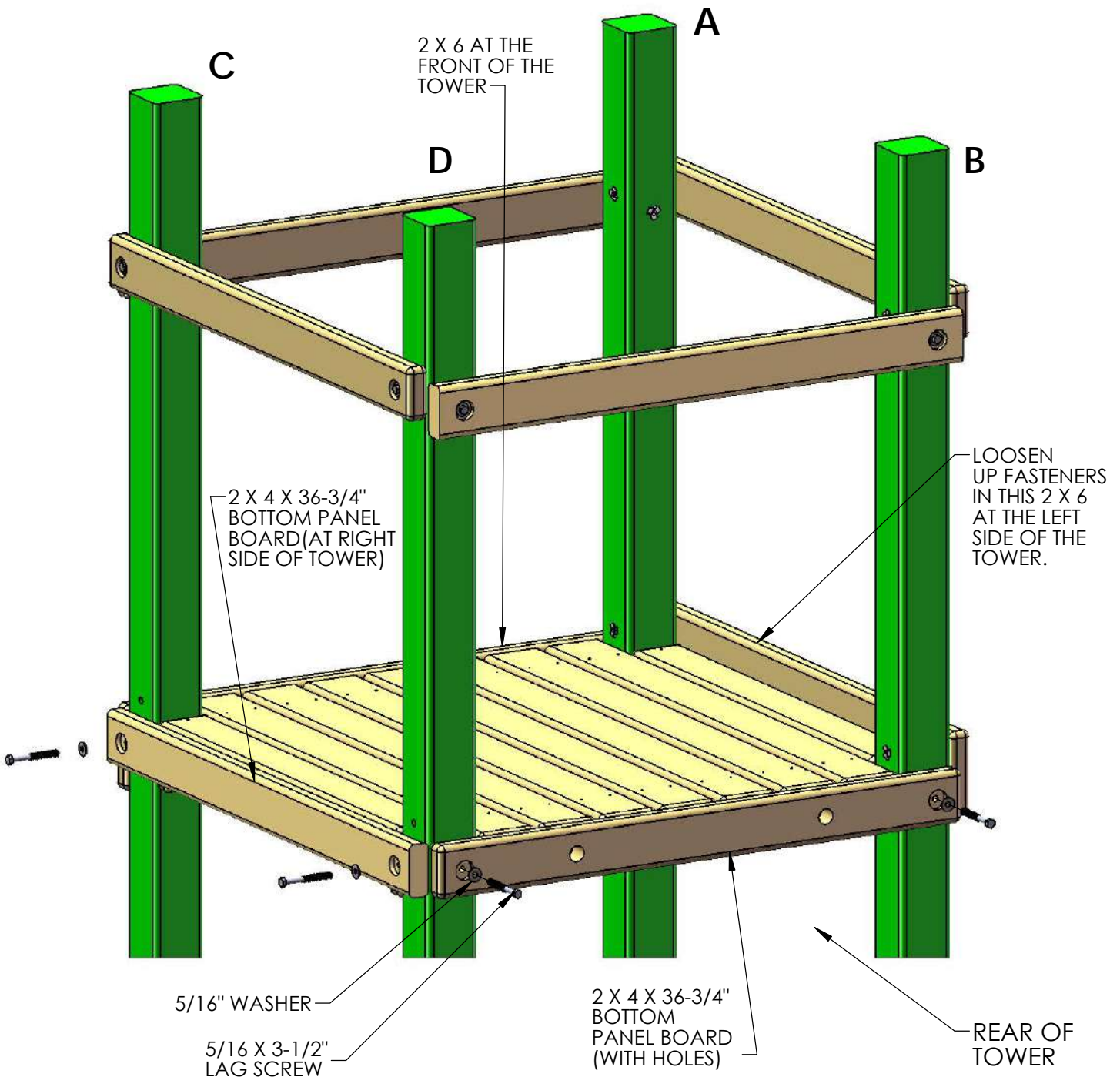
2: PLACE THE 2 X 4 X 36-3/4" BOTTOM PANEL BOARD (WITH HOLES) AGAINST THE REAR CORNER POSTS, AND LEVEL THE TOP OF THE BOARD WITH THE TOP OF THE DECK BOARDS.

3: FASTEN THE BOTTOM PANEL BOARD (WITH HOLES) TO THE CORNER POSTS WITH 5/16 X 3-1/2" LAG SCREWS WITH 5/16" WASHERS. LEAVE THE LAG SCREWS LOOSE.

4: TIGHTEN THE FASTENERS IN THE 2 X 6 AT THE FRONT OF THE TOWER AND IN THE BOTTOM PANEL BOARD (WITH HOLES).

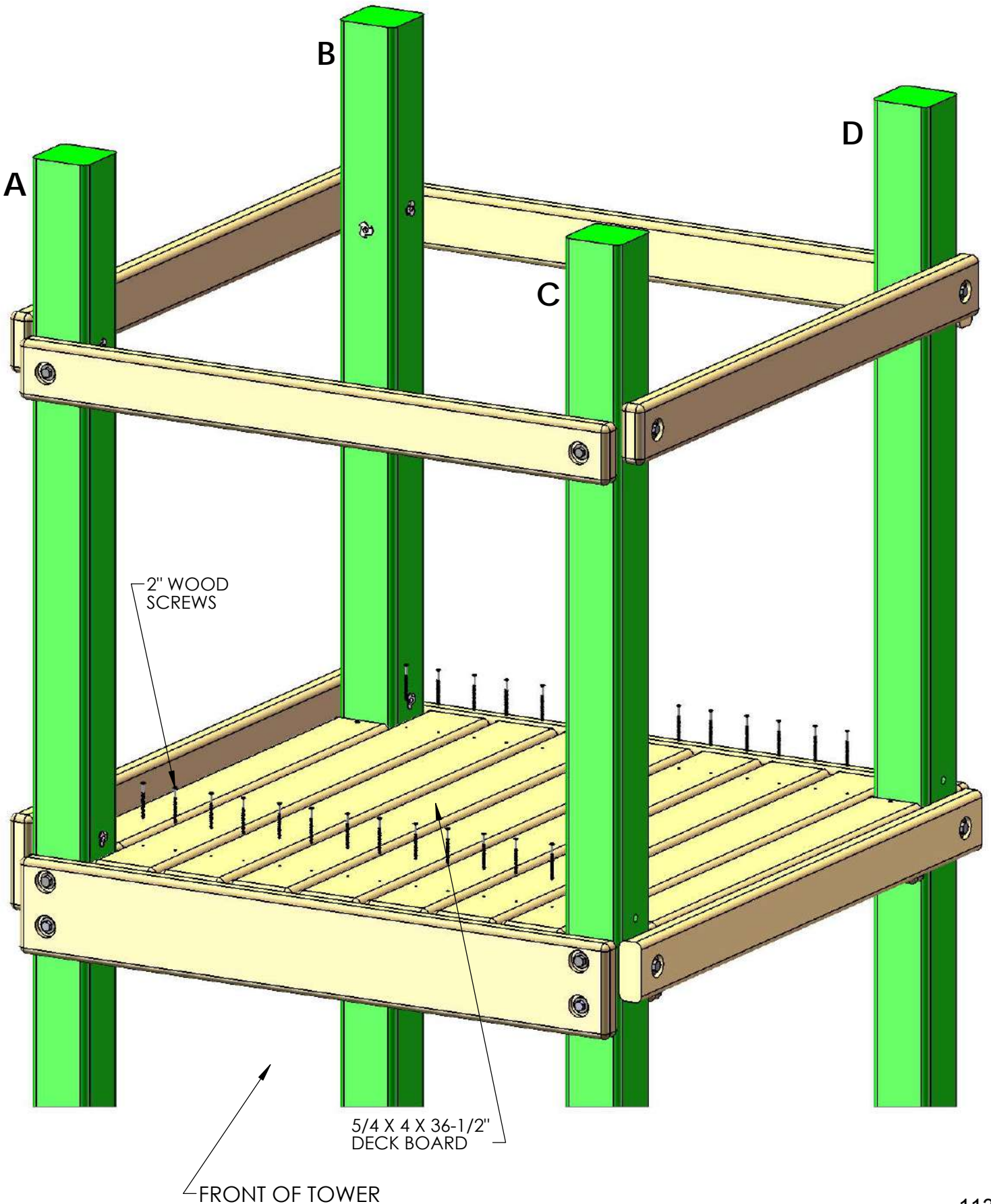
5: TIGHTEN THE FASTENERS IN THE 2 X 6 ON THE LEFT SIDE OF THE TOWER.

6: PLACE THE 2 X 4 X 36-3/4" BOTTOM PANEL BOARD AGAINST THE RIGHT SIDE OF THE TOWER. LEVEL THE TOP OF THE BOARD WITH THE TOP OF THE DECK BOARDS. FASTEN IT TO THE CORNER POSTS WITH 5/16 X 3-1/2" LAG SCREWS WITH 5/16" WASHERS.



STEP 11: DECK

1: INSTALL THE 5/4 X 4 X 36-1/2" DECK BOARDS. LEAVE A UNIFORM (APPROXIMATELY 1/4") SPACE BETWEEN THE DECK BOARDS. ATTACH THE DECK BOARDS TO THE DECK SUPPORTS WITH 2" WOOD SCREWS.

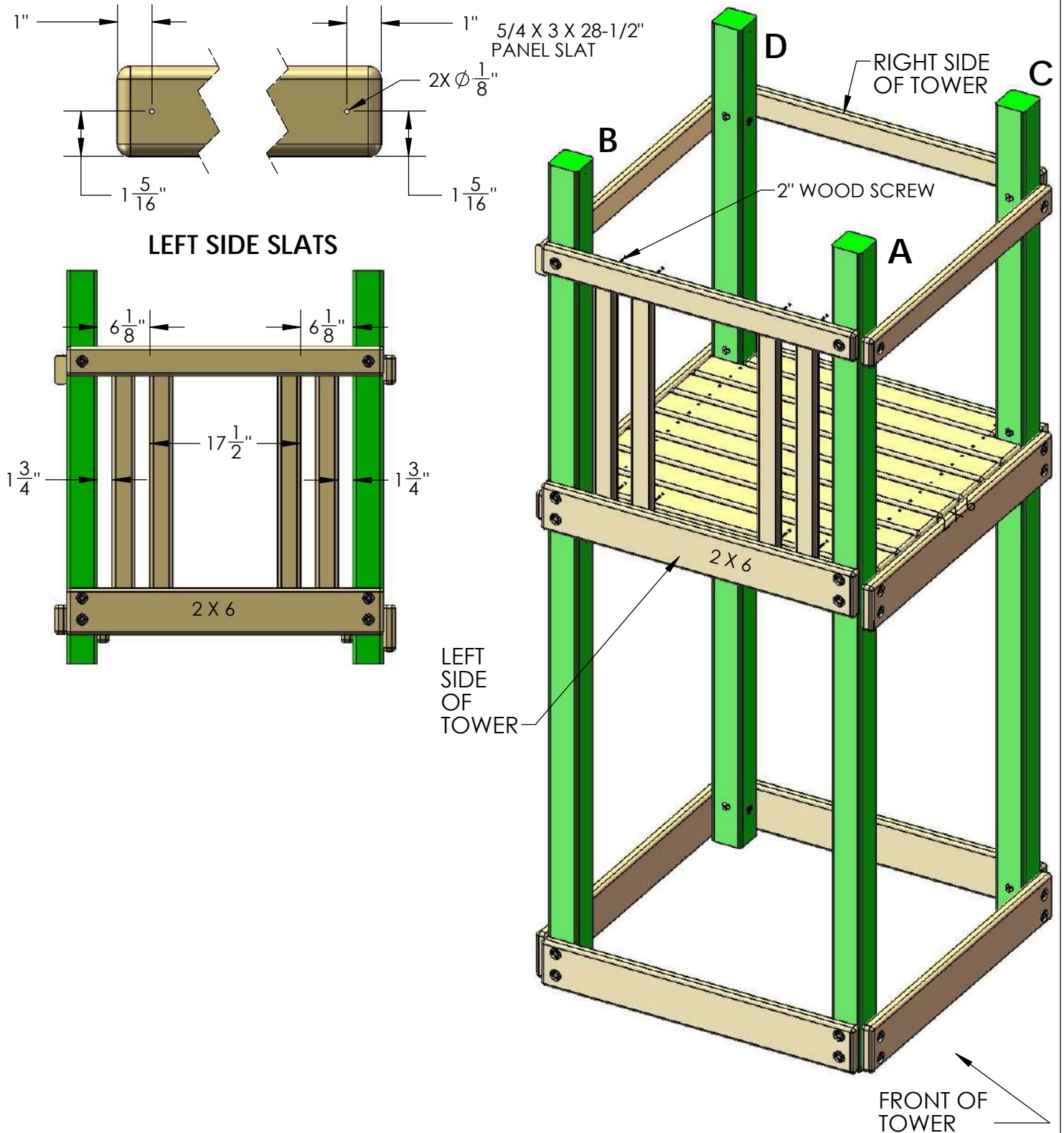


STEP 12: PANEL SLATS

1: FIND FOUR 5/4 X 3 X 28-1/2" PANEL SLATS.

2: IF THE SLATS ARE NOT ALREADY PRE-DRILLED THEN PRE-DRILL THE PANEL SLATS 1" FROM EACH END ON CENTER WITH A 1/8" DRILL BIT. (SEE TOP LEFT PICTURE BELOW)

3: ON THE LEFT SIDE OF THE TOWER INSTALL TWO PANEL SLATS 1-3/4" AWAY FROM EACH CORNER POST. THEN INSTALL THE REMAINING TWO PANEL SLATS AS SHOWN IN THE PICTURE AT THE BOTTOM LEFT BELOW. ATTACH THE PANEL SLATS WITH 2" WOOD SCREWS.



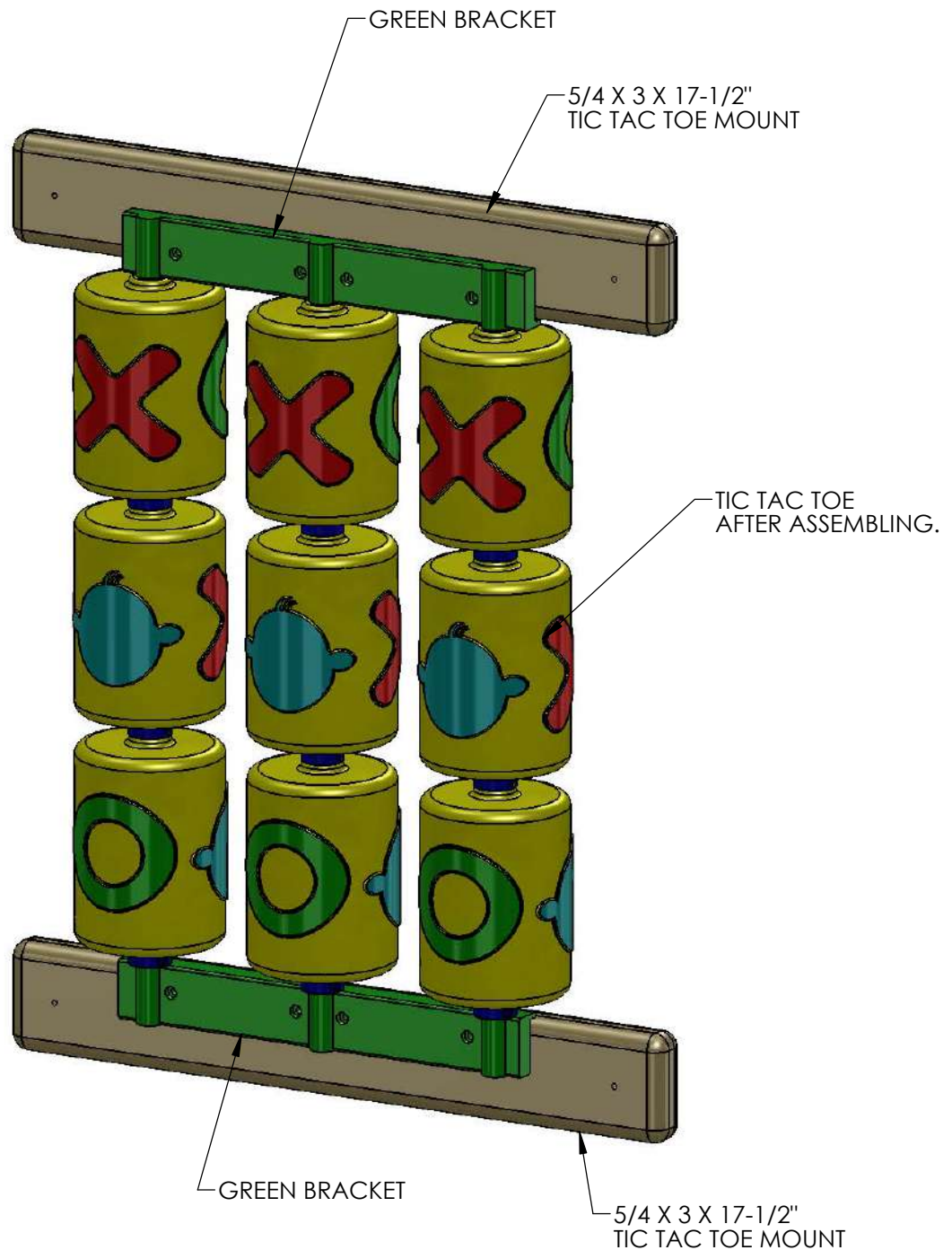
STEP 13: TIC TAC TOE ASSEMBLY

1: LOCATE THE TIC TAC TOE BOX.

2: FOLLOW THE INSTRUCTIONS IN THE BOX TO ASSEMBLE THE TIC TAC TOE OMITTING STEPS 6 AND 7.

3: LOCATE TWO 5/4 X 3 X 17-1/2" TIC TAC TOE MOUNTS.

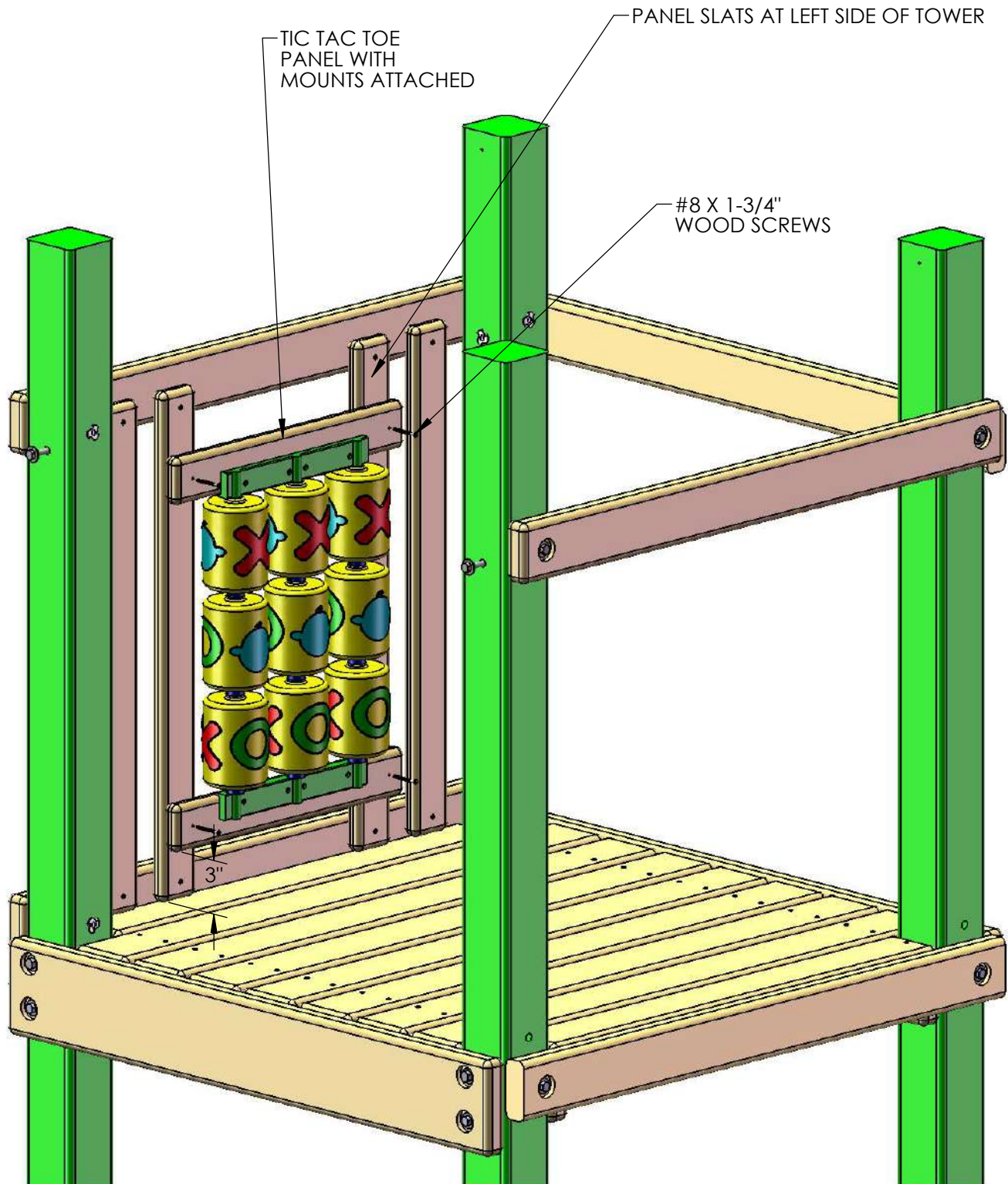
4: USE THE SCREWS INCLUDED WITH THE TIC TAC TOE TO ATTACH THE GREEN BRACKETS TO THE TIC TAC TOE MOUNTS. EACH GREEN BRACKET SHOULD BE CENTERED OVER THE TIC TAC TOE MOUNT.



STEP 14: TIC-TAC-TOE PANEL

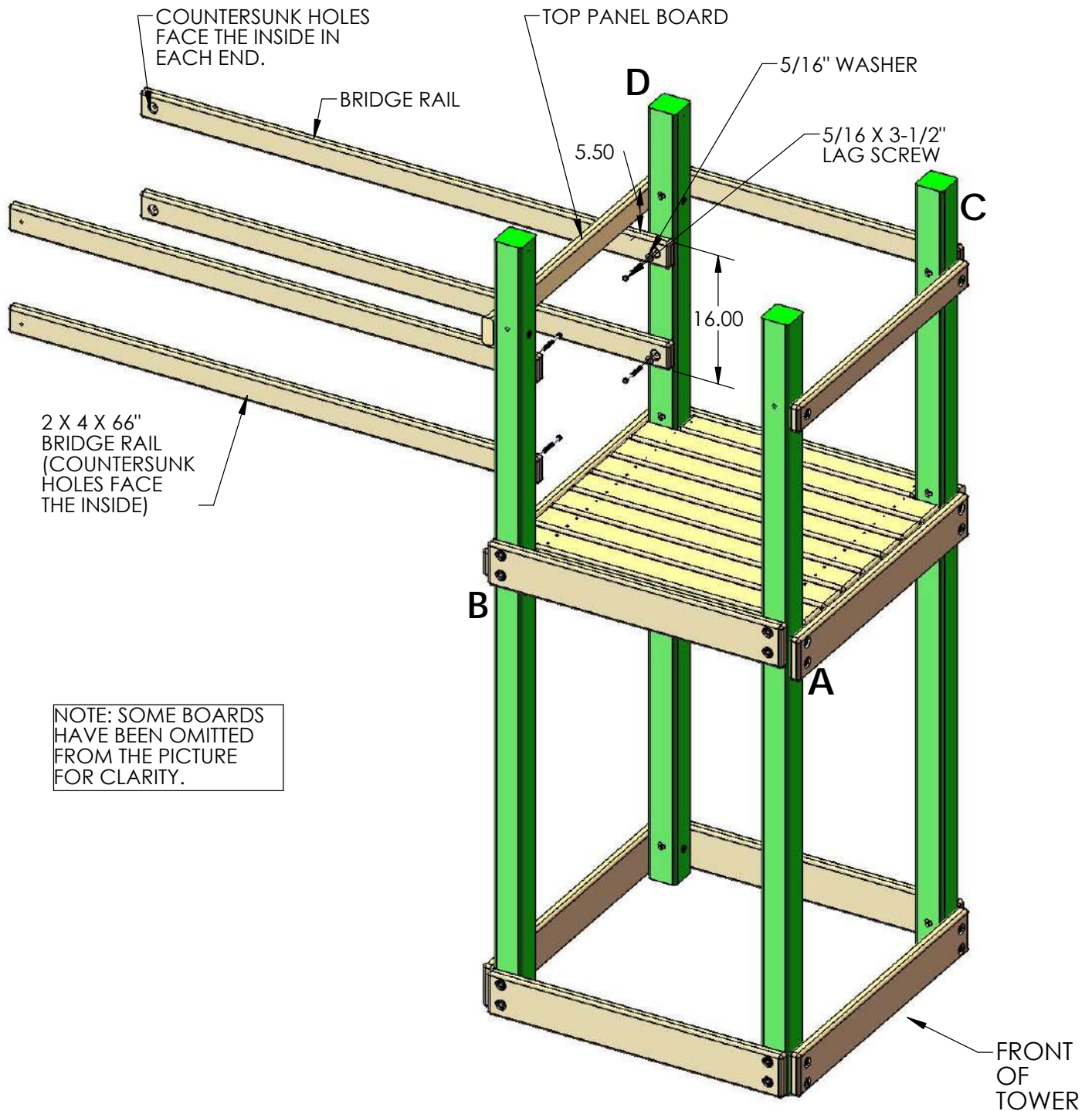
1: PLACE THE TIC TAC TOE AGAINST THE PANEL SLATS AT THE LEFT SIDE OF THE TOWER ON THE INSIDE. THE TIC TAC TOE SHOULD BE APPROXIMATELY 3" OFF THE DECK.

2: ATTACH THE TIC TAC TOE MOUNTS TO THE PANEL SLATS WITH #8 X 1-3/4" WOOD SCREWS.



STEP 15: BRIDGE RAILS

- 1: PLACE THE TOP SURFACE OF THE UPPER TWO 2 X 4 X 66" BRIDGE RAILS 5-1/2" BENEATH THE TOP SURFACE OF THE TOP PANEL BOARD. THE COUNTERSUNK HOLE IN THE END OF THE BRIDGE RAIL SHOULD FACE THE INSIDE. FASTEN THE BRIDGE RAIL TO THE CORNER POST WITH 5/16" X 3-1/2" LAG SCREWS WITH 5/16" WASHERS.
- 2: MEASURE 16" FROM THE TOP OF EACH BRIDGE RAIL AND MAKE A PENCIL MARK ON THE INSIDE OF THE CORNER POSTS.
- 3: PLACE THE BOTTOM OF EACH LOWER 2 X 4 X 66" BRIDGE RAIL ON THE MARK ON THE CORNER POST. FASTEN EACH BRIDGE RAIL TO THE CORNER POST WITH 5/16" X 3-1/2" LAG SCREWS WITH 5/16" WASHERS.

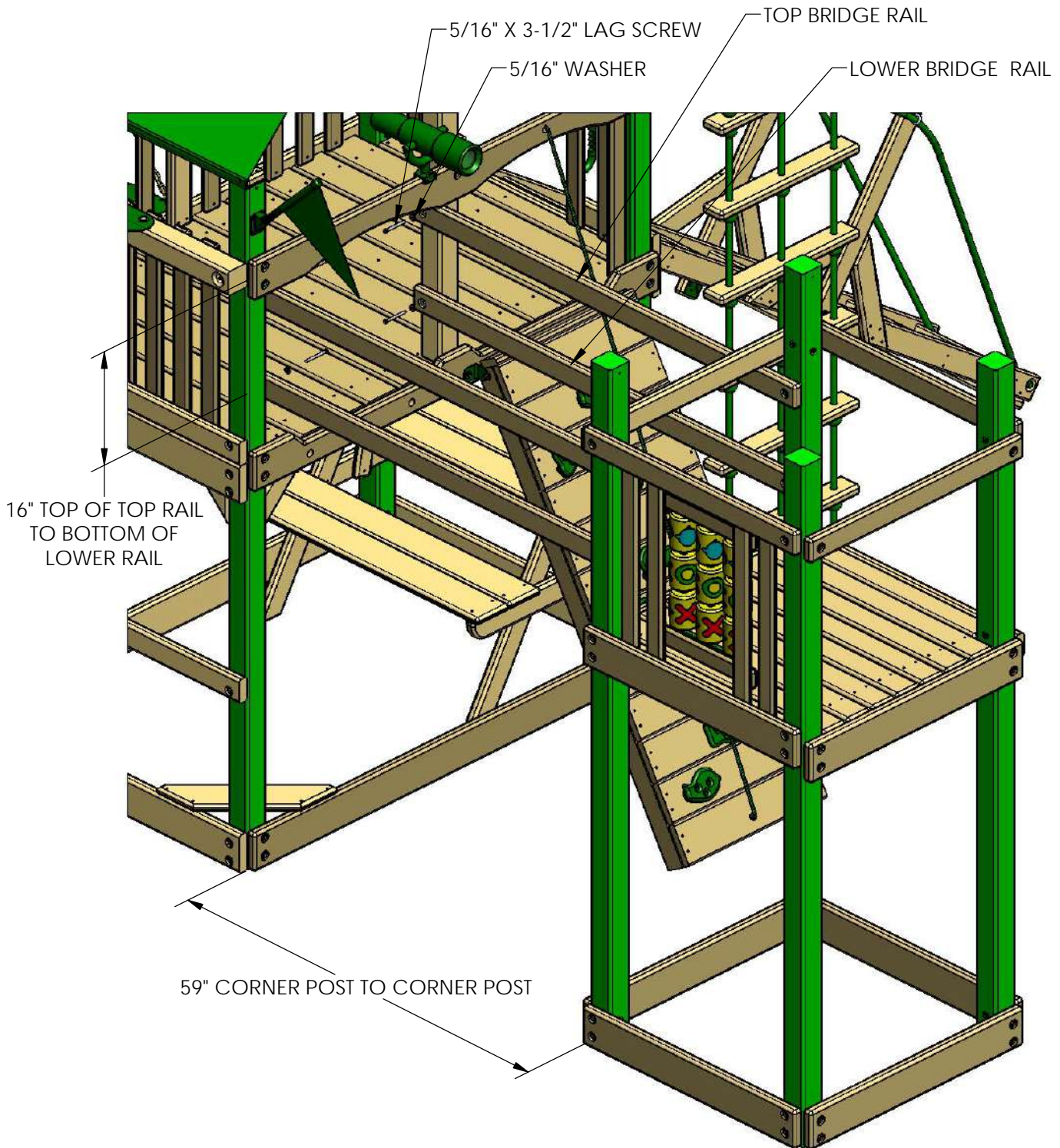


STEP 16: MOUNTING BRIDGE RAILS TO FORT

1: PLACE THE BRIDGE RAILS AGAINST THE GREEN CORNER POST AND CENTER POST ON THE PLAY SET.

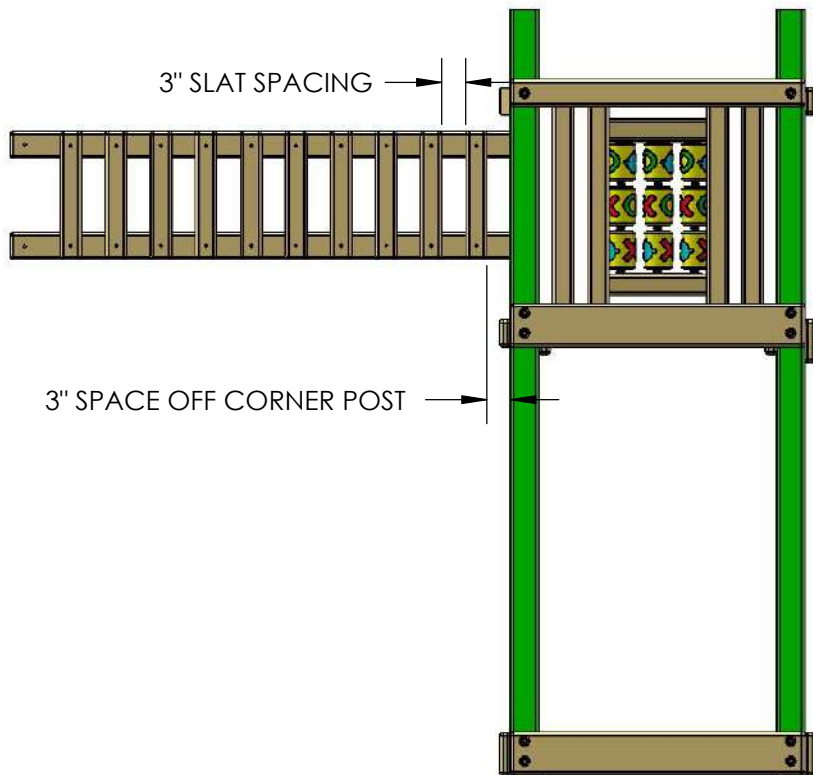
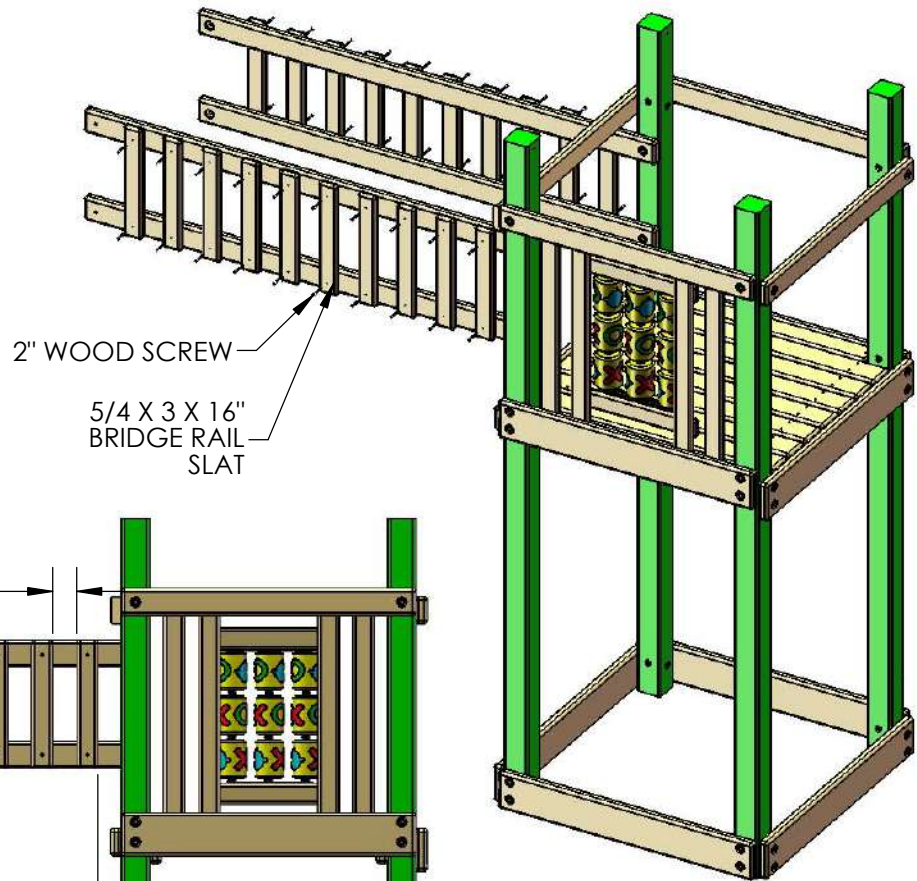
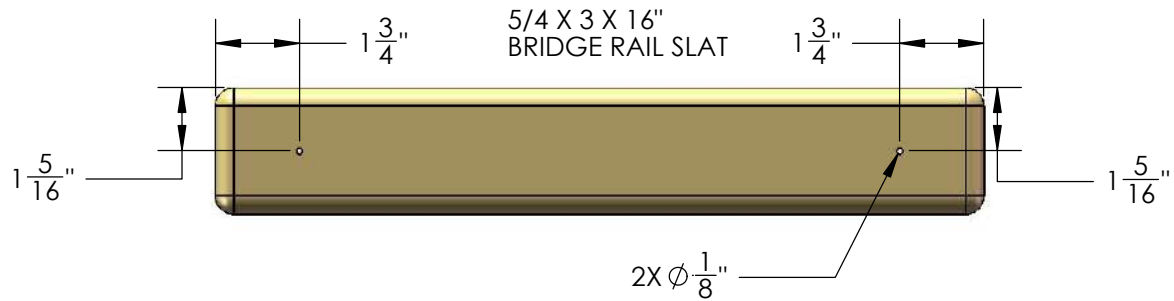
2: LEVEL EACH TOP BRIDGE RAIL AND ATTACH THEM TO THE CORNER POSTS WITH 5/16" X 3-1/2" LAG SCREWS AND 5/16" WASHERS.

3: ATTACH EACH LOWER BRIDGE RAIL TO THE CORNER POSTS USING THE 16" DIMENSION AT THE FORT AS SHOWN ON STEP 15 AND BELOW. ATTACH EACH LOWER BRIDGE RAIL WITH 5/16" X 3-1/2" LAG SCREWS AND 5/16" WASHERS.



STEP 17: BRIDGE RAIL SLATS

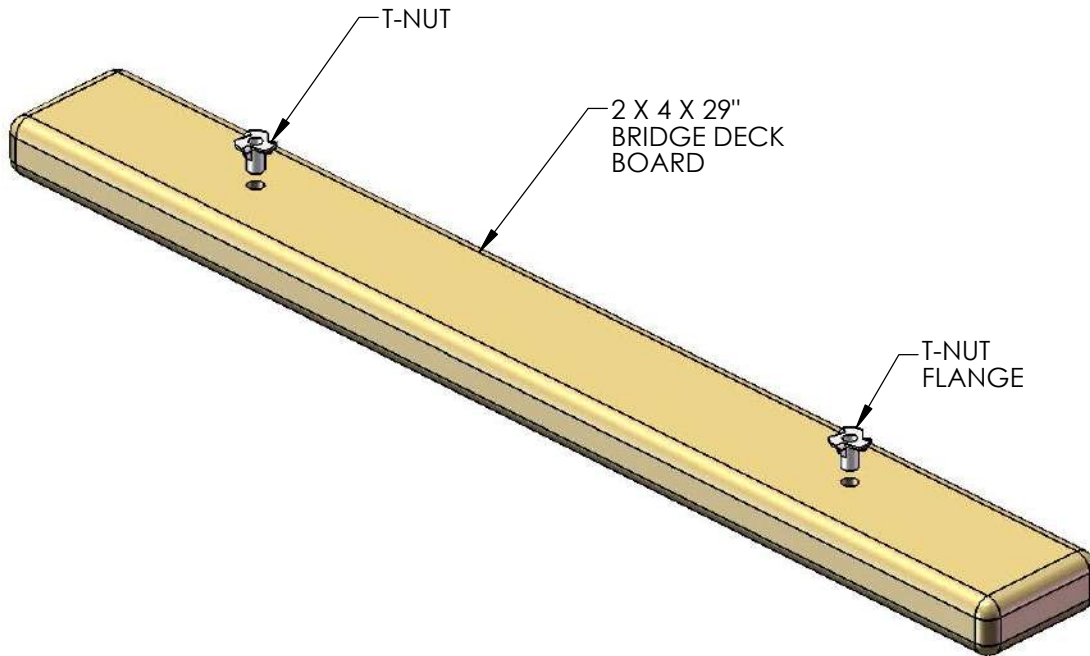
1. IF THE BRIDGE RAIL SLATS ARE NOT ALREADY PRE-DRILLED THEN PRE-DRILL THEM ON EACH END WITH A 1/8" DRILL BIT. (SEE TOP IMAGE BELOW)
2. PLACE THE BRIDGE RAIL SLATS 3" FROM THE FACE OF THE CORNER POSTS, AND ATTACH WITH 2" WOOD SCREWS. THE SLATS WILL MOUNT ON THE OUTSIDE OF THE BRIDGE RAILS.
3. ATTACH THE REMAINING SLATS TO THE UNIT WITH 3" SPACING BETWEEN THE SLATS.



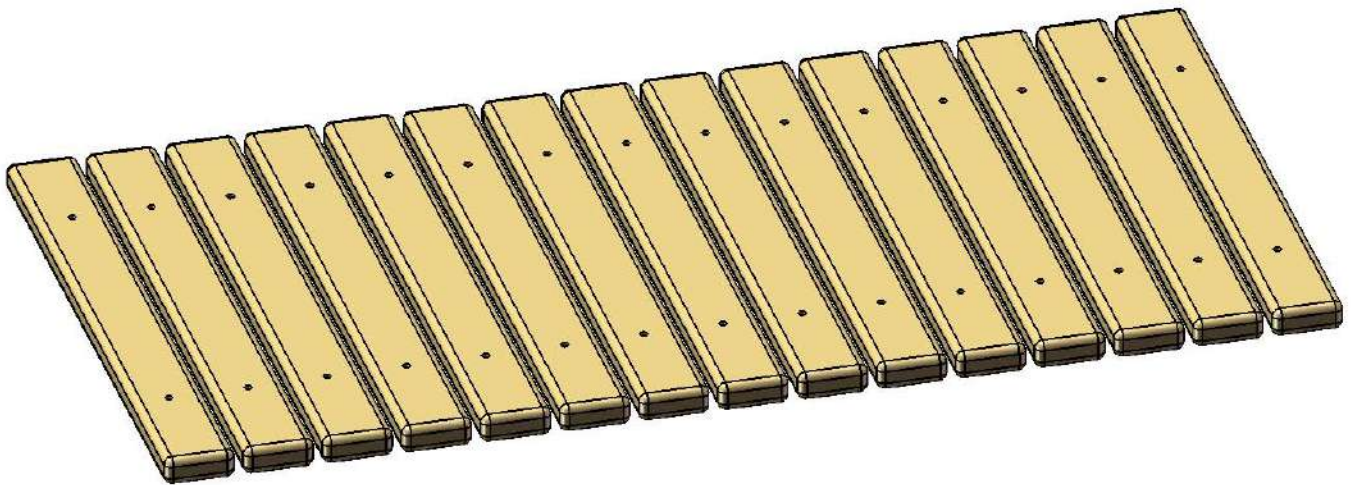
LEFT SIDE VIEW

STEP 18: BRIDGE DECK AND CHAIN ASSEMBLY

1: FIND FIFTEEN 2 X 4 X 29" BRIDGE DECK BOARDS AND INSERT T-NUTS INTO THE PRE-DRILLED HOLES. USE A HAMMER TO SEAT THE T-NUTS INTO THE BOARDS.

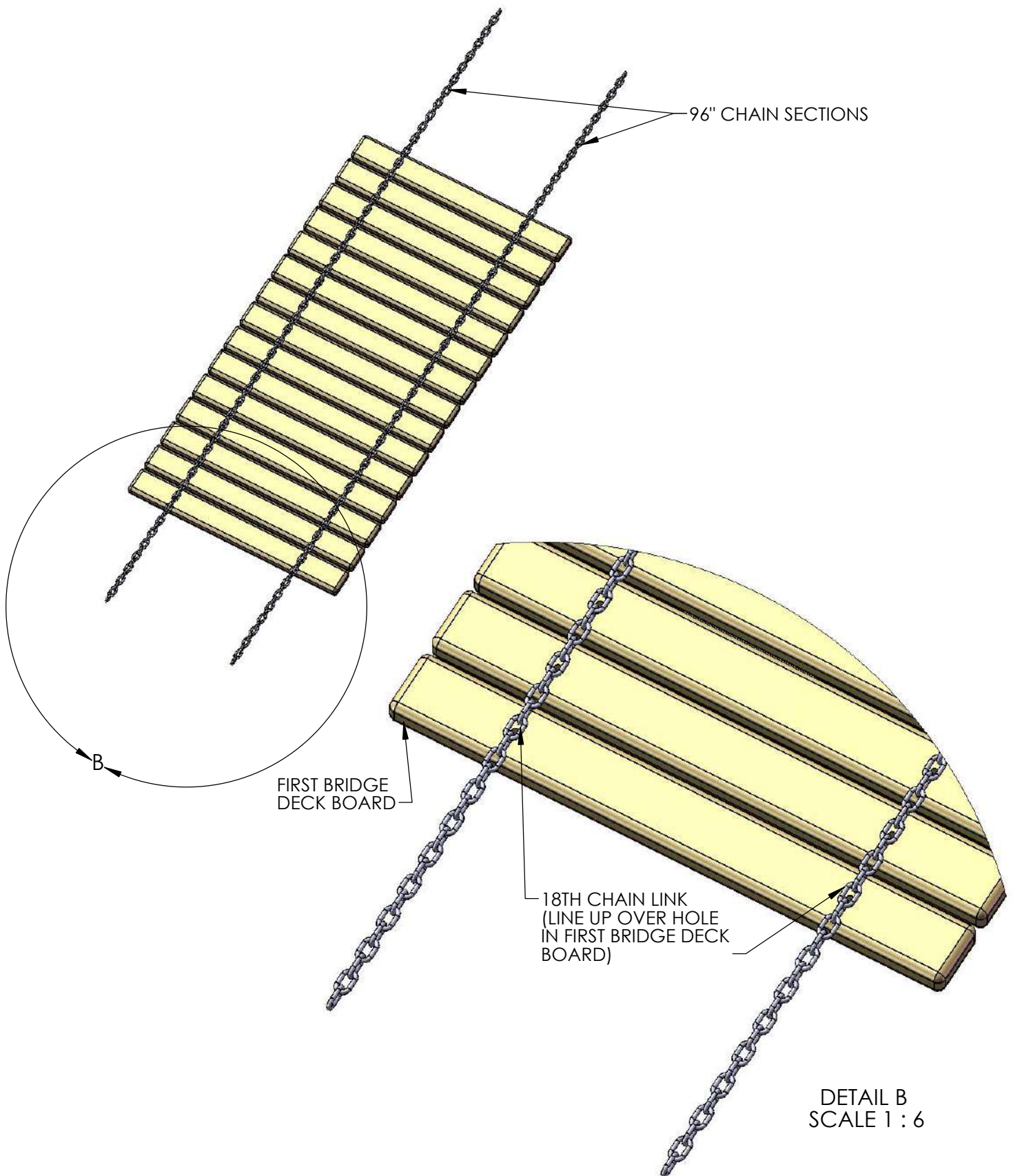


2: FLIP ALL 15 BRIDGE DECK BOARDS OVER SO THAT THE FLANGE OF THE T-NUT IS FACING DOWN. LAY THE BRIDGE DECK BOARDS OUT ON A FLAT SURFACE AS SHOWN BELOW.



STEP 19: BRIDGE DECK AND CHAIN ASSEMBLY

- 1: LOCATE TWO 96" CHAIN SECTIONS THAT SHIPPED WITH THE CLATTER BRIDGE.
- 2: PLACE THE CHAINS OVER THE HOLES IN THE BRIDGE DECK BOARDS AS SHOWN BELOW.
- 3: LINE UP THE 18TH LINK IN THE CHAINS WITH THE FIRST BRIDGE DECK BOARD HOLES.



STEP 20: BRIDGE DECK AND CHAIN ASSEMBLY

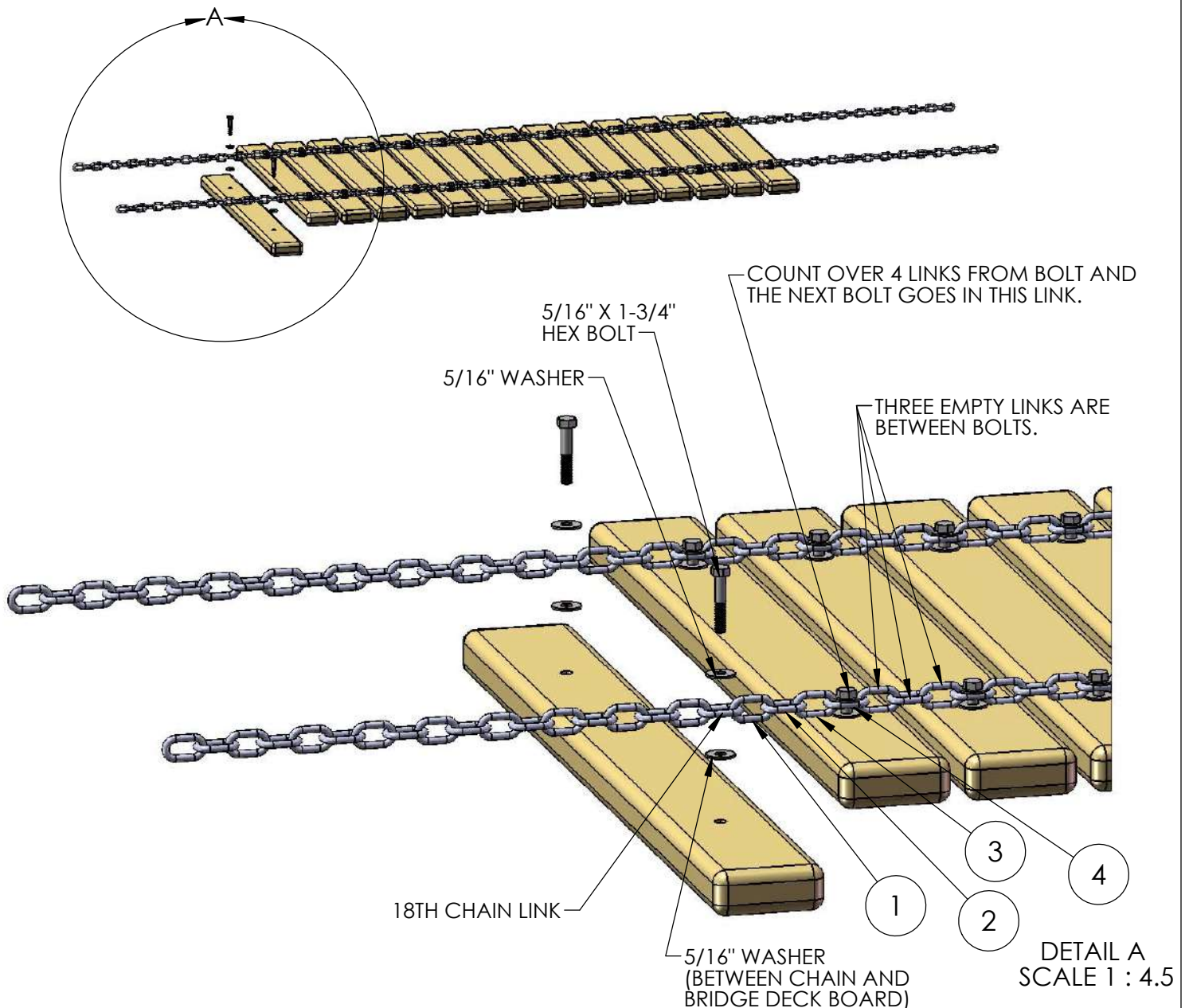
1: PLACE A 5/16" WASHER BETWEEN THE 18TH CHAIN LINK AND THE BRIDGE DECK BOARD.

2: PLACE A 5/16" X 1-3/4" HEX BOLT WITH 5/16" WASHER THROUGH THE 18TH CHAIN LINK, THEN THROUGH THE 5/16" WASHER, THEN THROUGH THE HOLE IN THE BRIDGE DECK BOARD AND SCREW IT INTO THE T-NUT. TIGHTEN THE BOLT BUT NOT SO TIGHT THAT YOU CRACK THE WOOD.

3: COUNT OVER 4 CHAIN LINKS FROM THE LAST HEX BOLT. AT THIS CHAIN LINK PLACE A 5/16" WASHER BETWEEN THE CHAIN LINK AND THE BRIDGE DECK BOARD. NOTE THAT THREE EMPTY CHAIN LINKS ARE BETWEEN THE BOLTS.

4: PLACE A 5/16" X 1-3/4" HEX BOLT WITH 5/16" WASHER THROUGH THE CHAIN LINK, THEN THROUGH THE 5/16" WASHER, THEN THROUGH THE HOLE IN THE BRIDGE DECK BOARD AND SCREW IT INTO THE T-NUT. TIGHTEN THE BOLT BUT NOT SO TIGHT THAT YOU CRACK THE WOOD.

5: REPEAT SUBSTEPS 3 & 4 UNTIL YOU HAVE SECURED THE CHAIN TO THE BRIDGE DECK BOARDS ALONG ONE SIDE. THEN START OVER WITH THE OTHER CHAIN AND REPEAT THIS ENTIRE PROCESS.

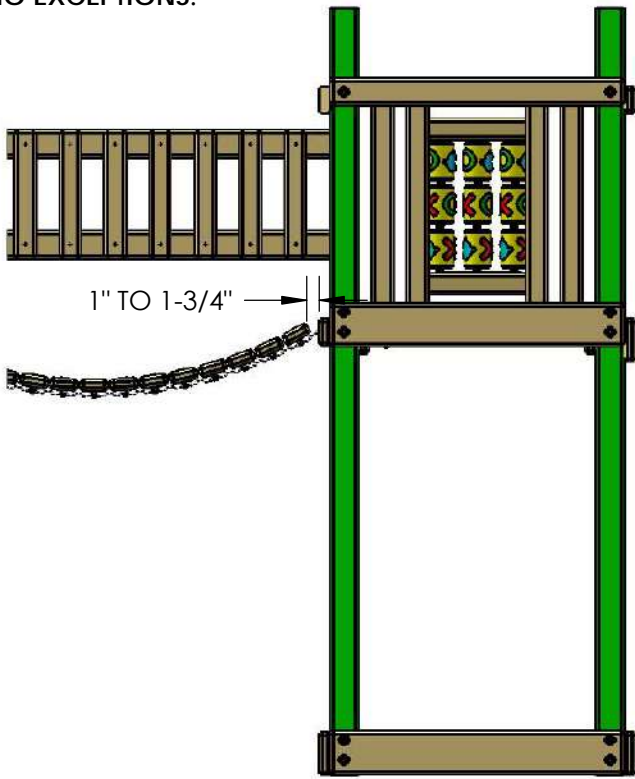


STEP 21: BRIDGE DECK/CHAIN INSTALLATION

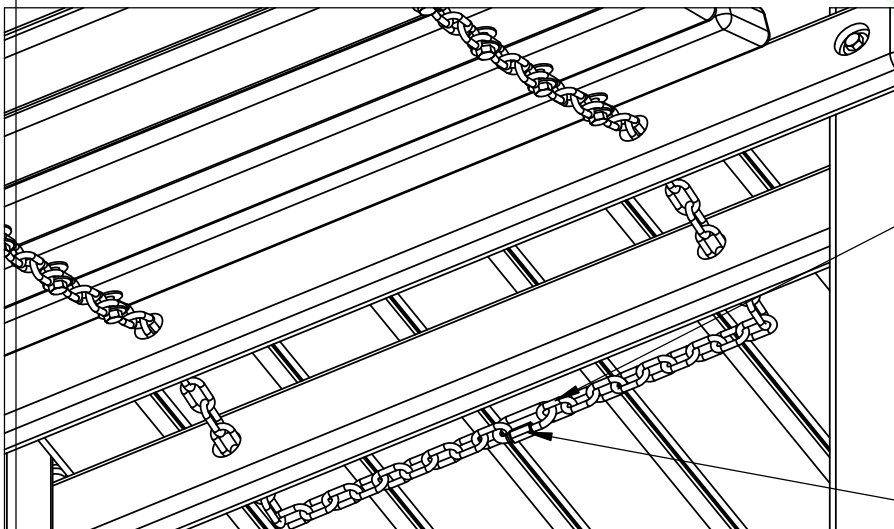
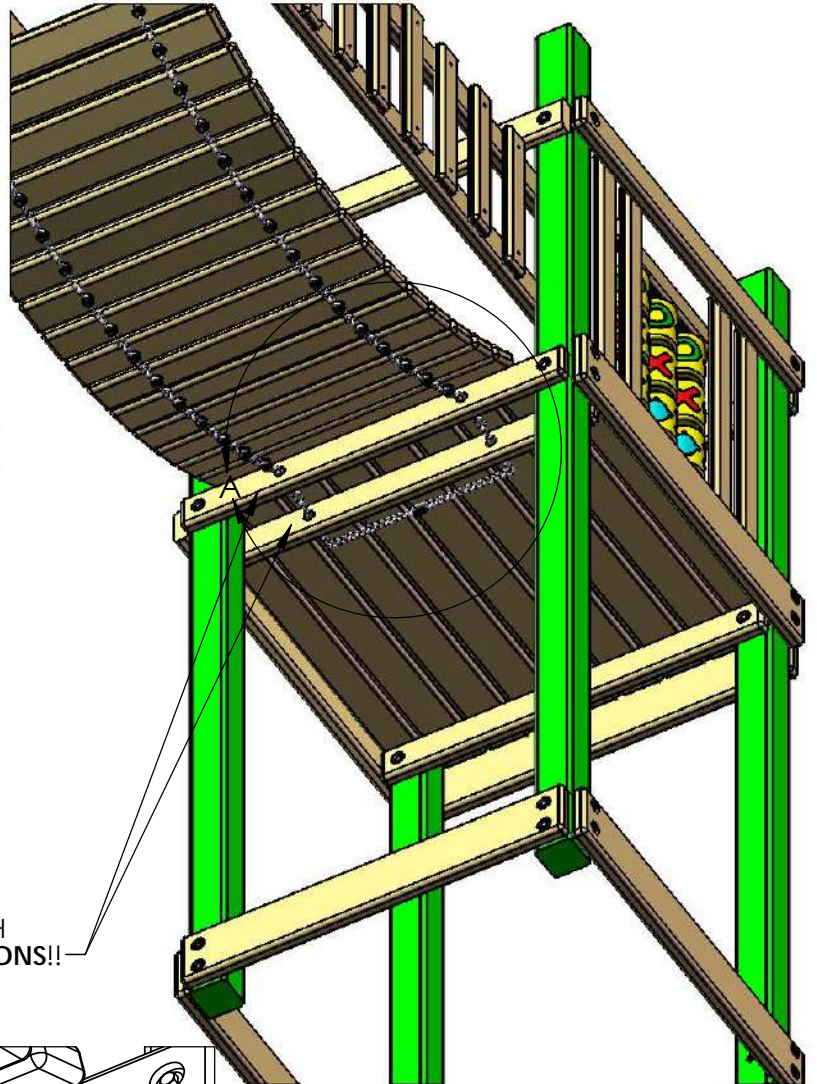
1: LAY THE BRIDGE DECK/CHAINS ASSEMBLY BETWEEN THE PLAY SET AND THE TOWER WITH THE CHAINS FACING THE GROUND. THREAD THE CHAIN ENDS IN THE BRIDGE DECK ASSEMBLY THROUGH THE HOLES IN THE BOTTOM PANEL BOARD AND DECK SUPPORT BOARD ON THE TOWER.

2: THERE SHOULD BE AT LEAST A 1" TO 1-3/4" GAP BETWEEN THE BRIDGE DECK BOARD AND THE BOTTOM PANEL BOARD ON THE TOWER. THIS MEANS THAT YOU WILL HAVE TO CONNECT THE ENDS OF THE CHAINS IN A MANNER TO ACHIEVE THE CORRECT GAP. GO UNDERNEATH THE TOWER DECK AND USE A QUICK LINK TO ATTACH THE CHAINS TOGETHER. IF YOU HAVE LOOSE ENDS OF THE CHAINS HANGING DOWN THREAD THEM THROUGH THE QUICK LINK TO KEEP THEM UP AND OUT OF THE WAY.

3: REPEAT THIS PROCESS AT THE PLAY SET TO ATTACH THE CHAINS. AT THE PLAY SET EACH CHAIN MUST GO THROUGH TWO BOARDS. **NO EXCEPTIONS.**



CHAIN MUST GO THROUGH TWO BOARDS NO EXCEPTIONS!!



DETAIL A
SCALE 1 : 6

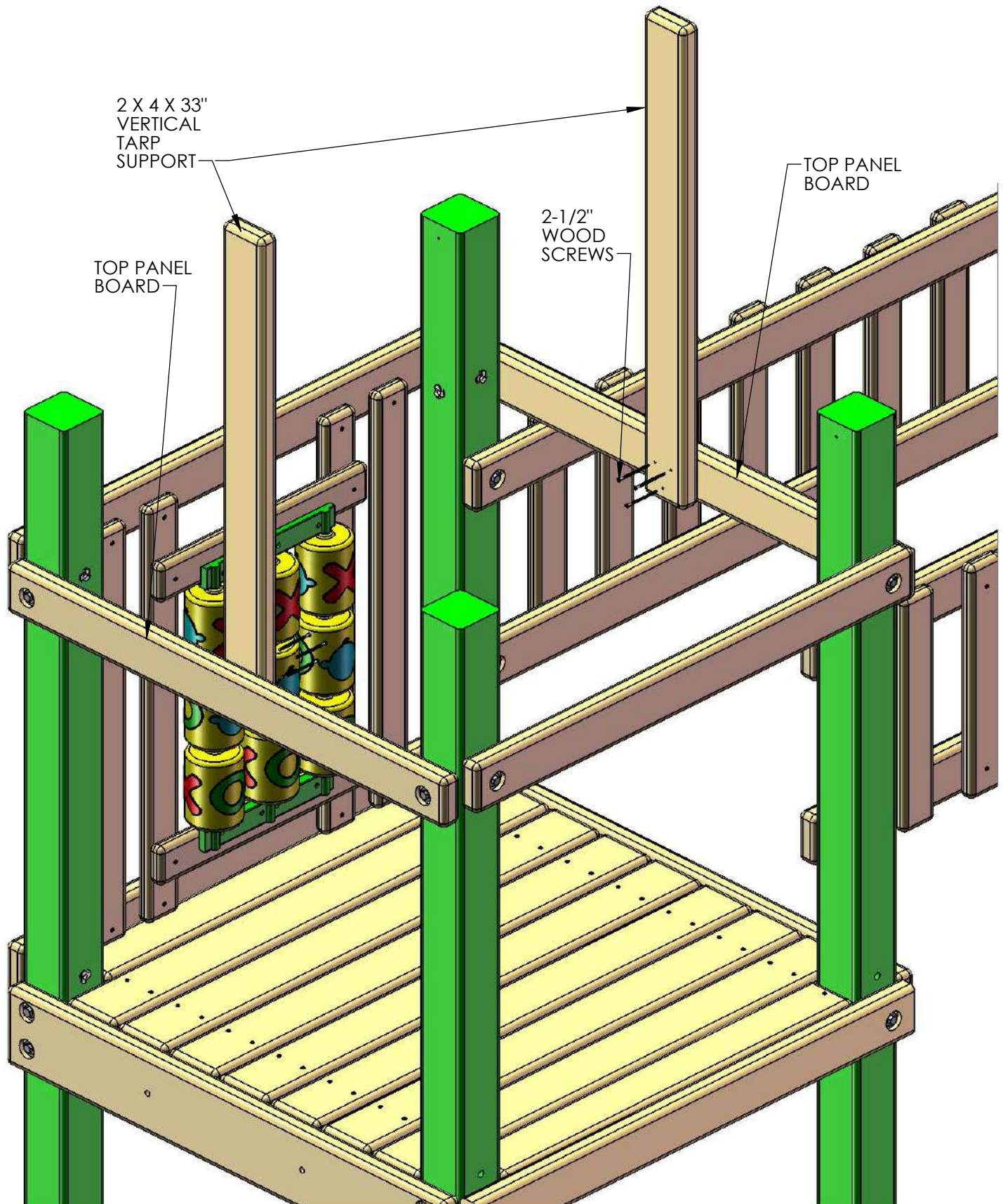
NOTE: TO ACHIEVE THE CORRECT GAP YOU MAY NOT BE CONNECTING THE END LINK OF EACH CHAIN. FOR EXAMPLE YOU MAY HAVE TO CONNECT THE SECOND, THIRD OR FORTH LINKS TOGETHER.

QUICK LINK

STEP 22: VERTICAL TARP SUPPORTS

1: PLACE THE 2 X 4 X 33" VERTICAL TARP SUPPORTS ON THE INSIDE OF THE TOP PANEL BOARDS. THE END OF EACH VERTICAL TARP SUPPORT SHOULD BE FLUSH TO THE BOTTOM OF THE TOP PANEL BOARD. CENTER EACH VERTICAL TARP SUPPORT WITH THE CENTER OF THE TOP PANEL BOARD. SQUARE EACH VERTICAL TARP SUPPORT TO THE TOP PANEL BOARD.

2: ATTACH THE VERTICAL TARP SUPPORTS TO THE TOP PANEL BOARDS WITH 2-1/2" WOOD SCREWS.



STEP 23: TARP BOARDS

1: LOCATE THREE 2 X 4 X 36-3/4" TARP BOARDS.

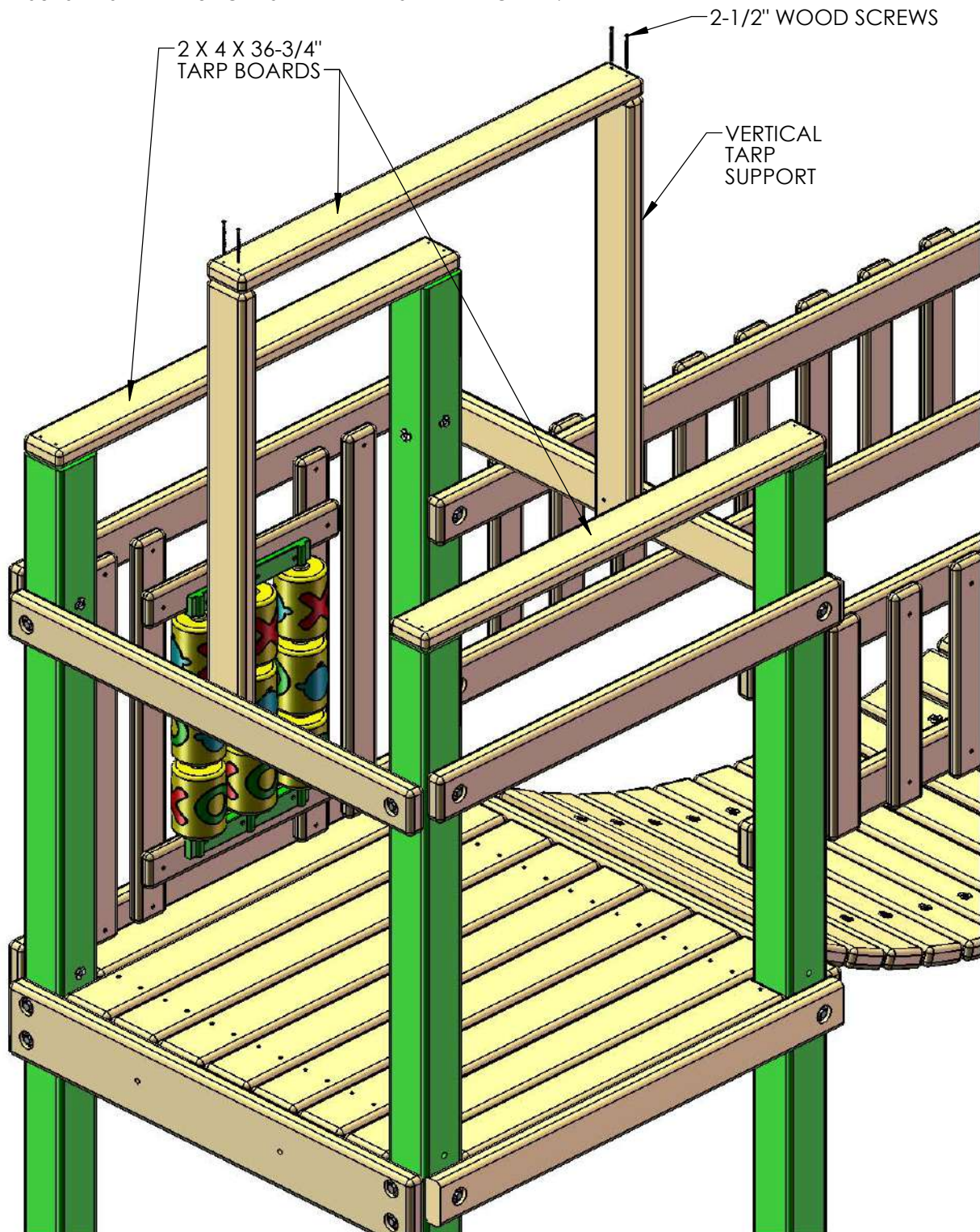
2: PLACE ONE TARP BOARD ON TOP OF THE VERTICAL TARP SUPPORTS. THE END OF THE TARP BOARD SHOULD BE FLUSH WITH THE SIDES OF THE VERTICAL TARPS SUPPORTS.

3: ATTACH THE TARP BOARD TO THE VERTICAL TARP SUPPORTS WITH 2-1/2" WOOD SCREWS.

4: PLACE ONE TARP BOARD ON TOP OF THE CORNER POSTS. THE TARP BOARD SHOULD BE FLUSH TO THE OUTSIDE OF THE CORNER POST.

5: ATTACH THE TARP BOARD TO THE TOP OF THE CORNER POSTS WITH 2-1/2" WOOD SCREWS.

6: REPEAT SUBSTEPS 4 AND 5 TO INSTALL THE LAST TARP BOARD.



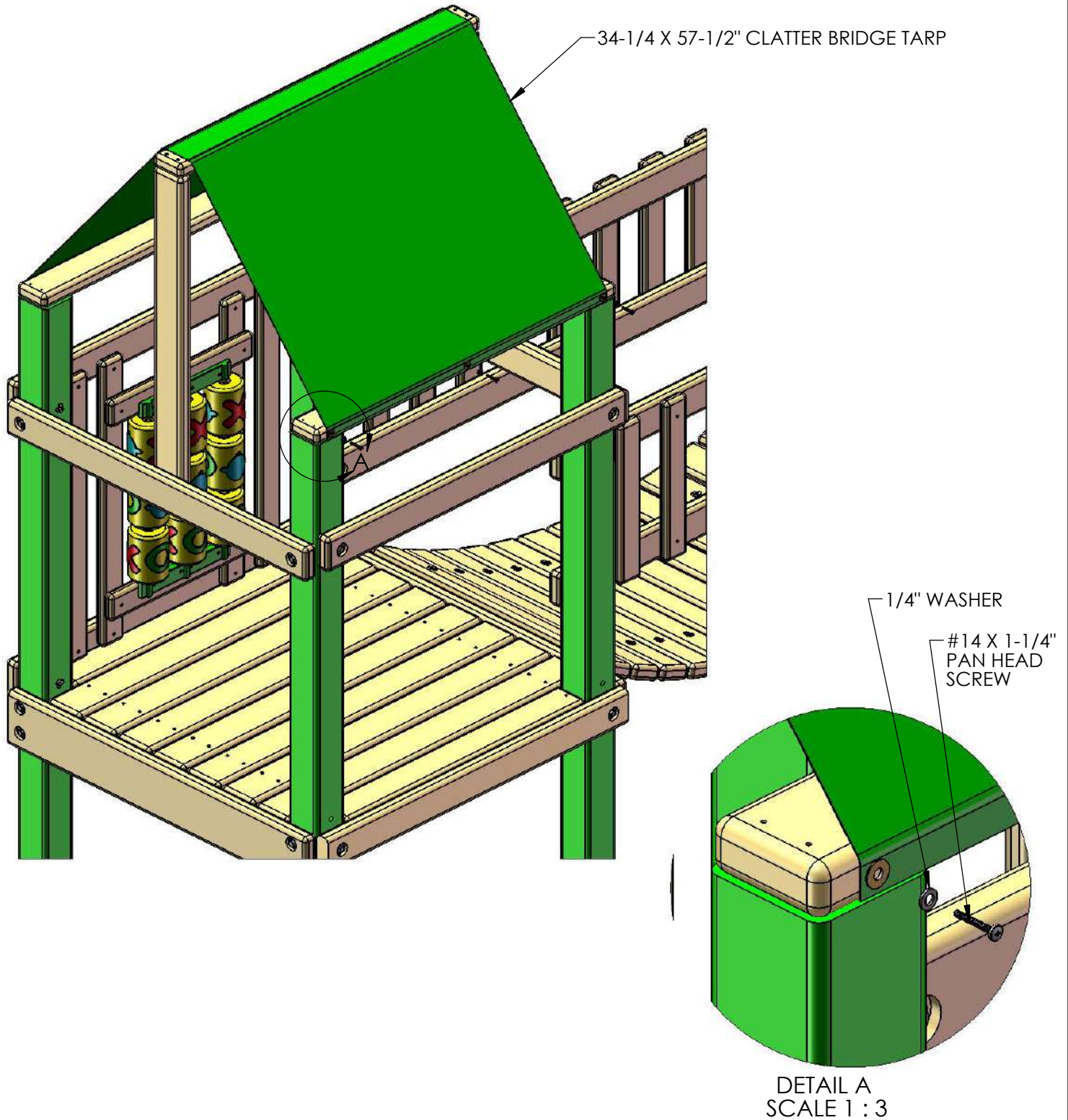
STEP 24: CLATTER BRIDGE TARP

1: LOCATE THE 34-1/4" X 57-1/2" CLATTER BRIDGE TARP.

2: PLACE THE TARP OVER THE TOP OF THE TARP BOARD ON TOP OF THE VERTICAL TARP SUPPORTS. THE HEMS SHOULD FACE THE INSIDE.

3: THE TARP WILL OVERLAP THE SIDE OF THE TARP BOARDS ON TOP OF THE CORNER POSTS.

4: ATTACH THE TARP THROUGH THE GROMMETS TO THE TARP BOARDS WITH #14 X 1-1/4" PAN HEAD SCREWS AND 1/4" FLAT WASHERS.

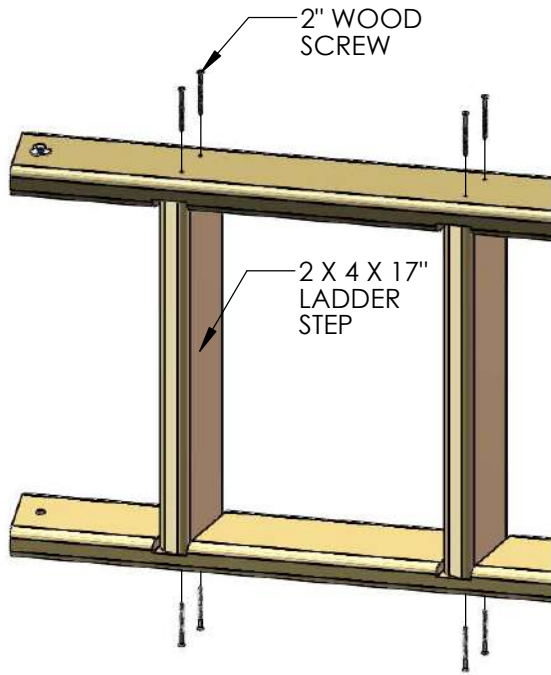
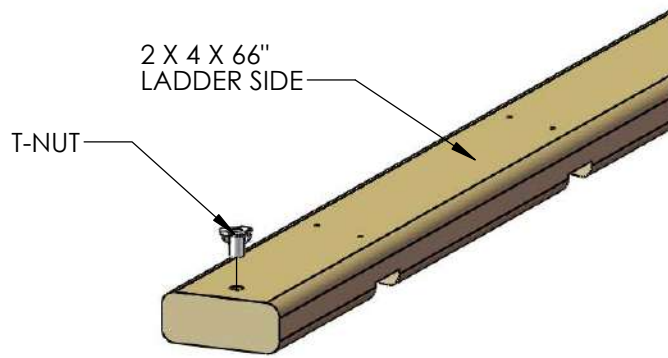


STEP 25: LADDER

1: FIND TWO 2 X 4 X 66" LADDER SIDES.

2: POSITION THE LADDER SIDES SO THAT THE SLOTS IN THE BOARDS ARE FACING EACH OTHER AND ARE PARALLEL.

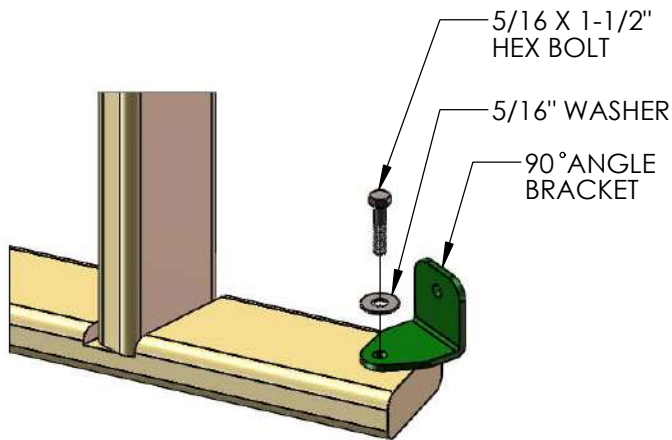
3: INSERT T-NUTS INTO THE OUTSIDE OF THE LADDER SIDES AND SET WITH A HAMMER.



4: FIND FIVE 2 X 4 X 17" LADDER STEPS.

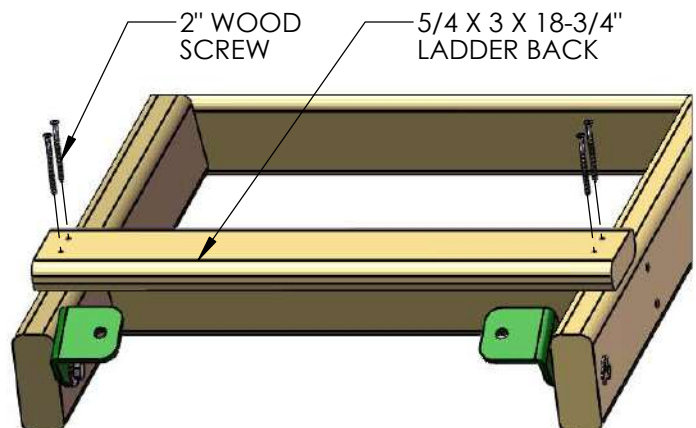
5: PLACE THE STEPS INTO THE SLOTS ON THE LADDER SIDES, AND FASTEN WITH 2" WOOD SCREWS.

6: CAREFULLY TURN THE LADDER OVER AND PUT THE SCREWS INTO THE OTHER SIDE.



7: INSTALL THE 90° ANGLE BRACKETS TO THE INSIDE OF THE LADDER RAILS WITH 5/16 X 1-1/2" BOLTS, 5/16 WASHERS, INTO THE 5/16" T-NUTS.

8: INSTALL THE 5/4 X 3 X 18-3/4" LADDER BACK ABOVE THE TOP STEP OF THE LADDER WITH TWO 2" WOOD SCREWS PER SIDE.

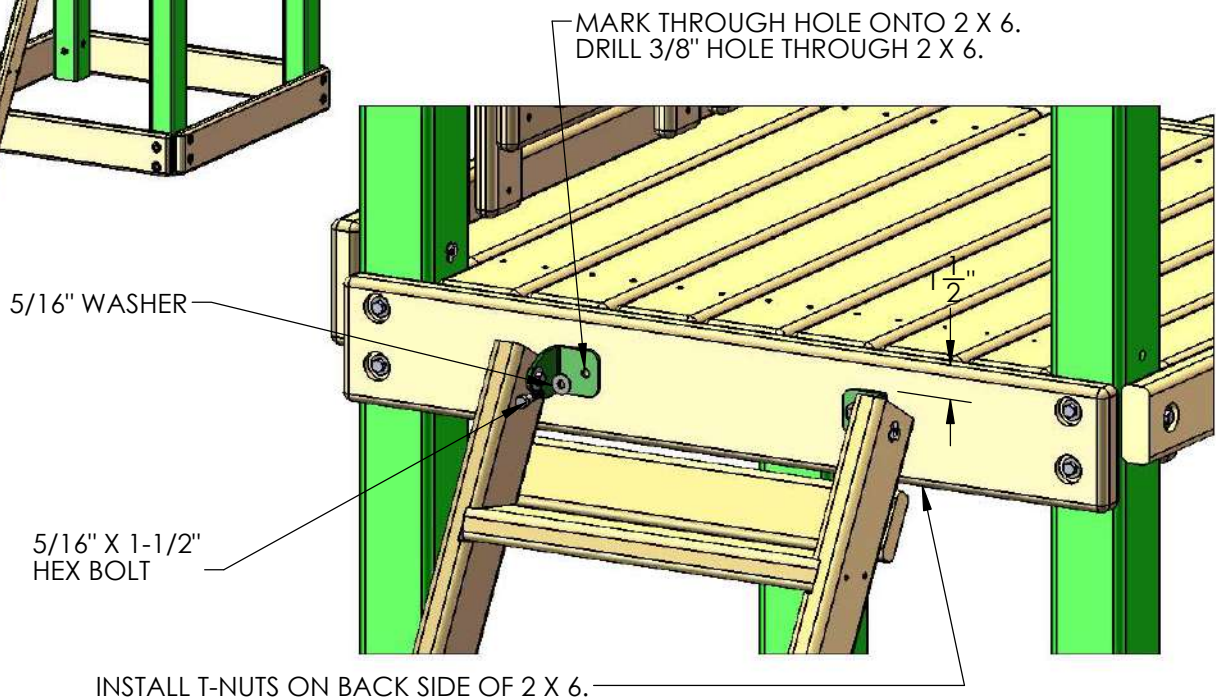


STEP 26: MOUNTING THE LADDER

- 1: PLACE THE TOP OF THE BRACKETS 1-1/2" DOWN FROM THE TOP OF THE 2 X 6.
- 2: CENTER THE LADDER SIDE TO SIDE.
- 3: MARK THROUGH EACH BRACKET ONTO THE 2 X 6.
- 4: DRILL 3/8" HOLES AT EACH MARK THROUGH THE 2 X 6.
- 5: INSTALL T-NUTS INTO THE BACK SIDE OF THE 2 X 6.
- 6: FASTEN THE BRACKETS TO THE 2 X 6 WITH 5/16" X 1-1/2" HEX BOLTS AND 5/16" WASHERS.

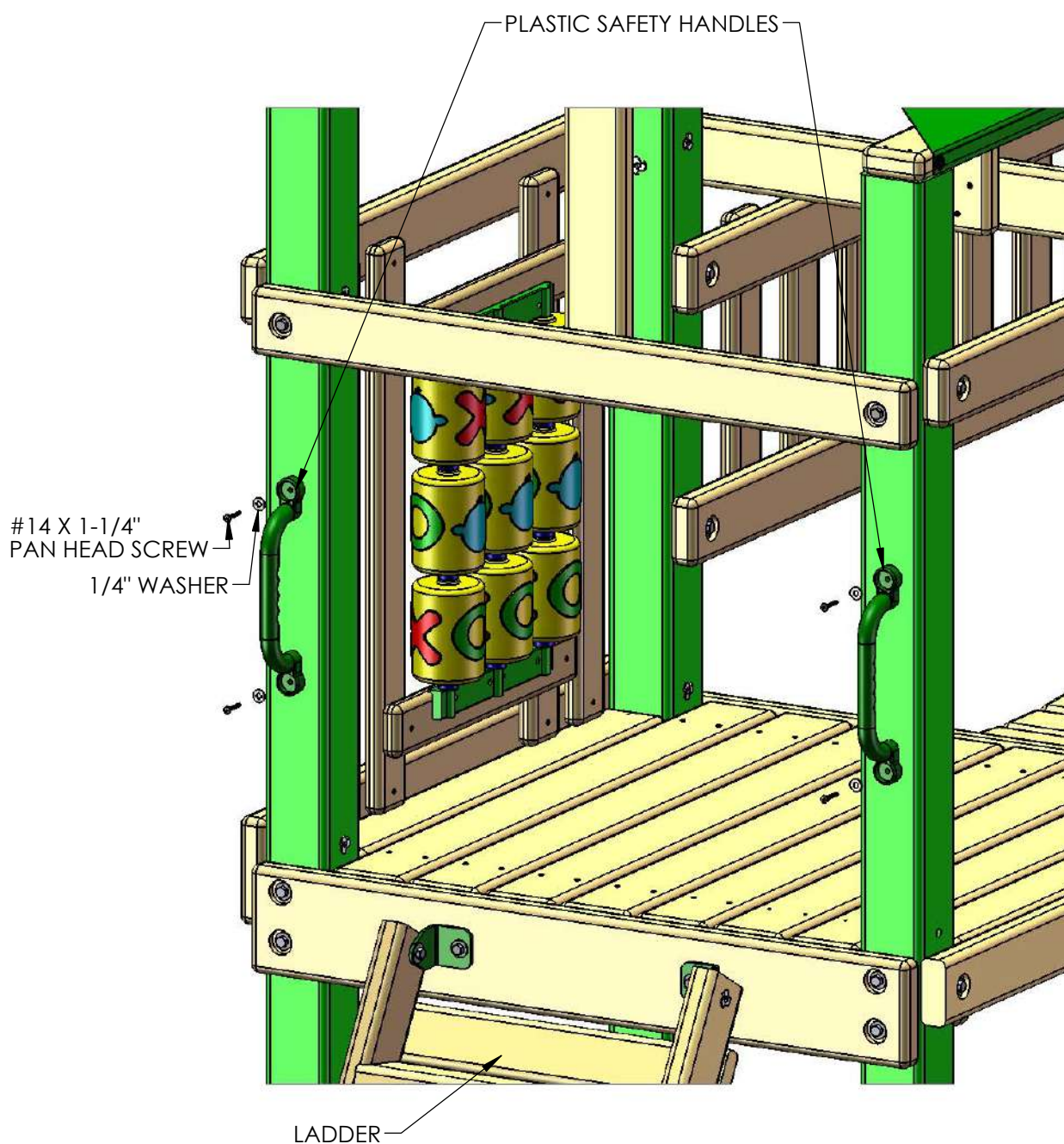


DETAIL A
SCALE 1 : 8



STEP 27: SAFETY HANDLES

- 1: PLACE A PLASTIC SAFETY HANDLE ON EACH CORNER POST ABOVE THE LADDER.
- 2: ADJUST THE SAFETY HANDLE UP OR DOWN TO SUIT THE NEEDS OF YOUR CHILD.
- 3: FASTEN EACH SAFETY HANDLE WITH THE 1/4" FLAT WASHERS AND #14 X 1-1/4" PAN HEAD SCREWS PROVIDED WITH THE SAFETY HANDLES.



STEP 28: MOUNTING THE SLIDE

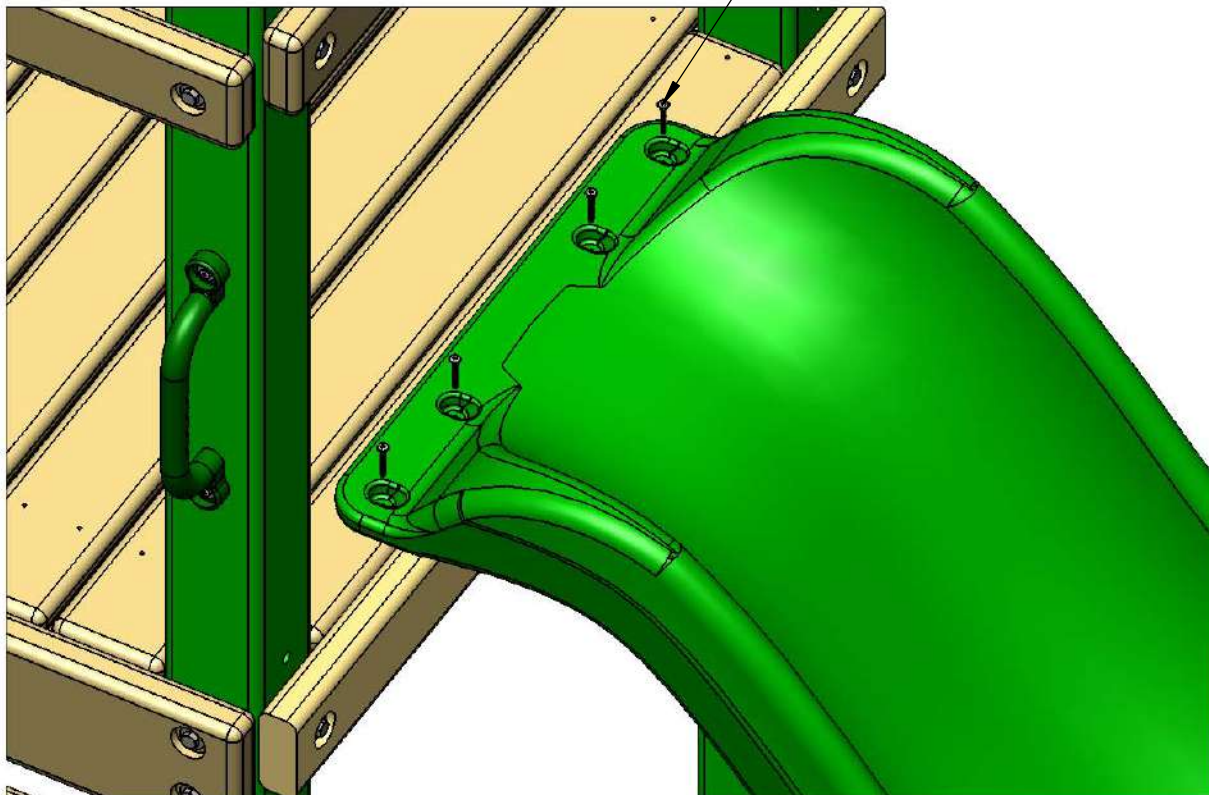
1: PLACE THE SLIDE IN THE OPENING AT THE FRONT RIGHT OF THE CLATTER BRIDGE. LAY THE SLIDE ON THE DECK WITH THE LIP EXTENDING ONTO THE DECK SPACER.

2: PREDRILL 1/8" HOLES INTO THE DECK SPACER AT THE SCREW LOCATIONS.

3: ATTACH THE SLIDE TO THE DECK SPACER WITH 1-1/4" PAN HEAD SCREWS. ****DO NOT OVERTIGHTEN****



1-1/4" PAN HEAD SCREW
****DO NOT OVERTIGHTEN****



STEP 29: PANEL SLAT

1: PLACE THE 5/4 X 3 X 28-1/4" PANEL SLAT FLUSH TO THE SIDE OF THE BRIDGE RAILS AS SHOWN BELOW.

2: ATTACH THE PANEL SLAT TO THE ROPE LADDER SUPPORT AND FRONT FACE BOARD ON THE INSIDE WITH #8 X 2" WOOD SCREWS.

ATTACH PANEL SLAT FLUSH TO SIDE OF BRIDGE RAILS.



APPENDIX

(06-2004) Clatter Bridge Mesh Panels

Tools Required:

#2 Phillips Bit or screwdriver
1/8" drill bit
Pencil
Drill

Kit Contents:

2 - Green Mesh Panels 66" x 24"
44 - Phillips Pan Head Screws
5.5mm x 25.4mm long
44 - Washers 16mm O.D. X 7.1mm I.D.

Note: Your mesh panels will be completely green. The pictures below show white border and black mesh panels but they are solely for the purposes of demonstrating how the mesh should be installed.

- 1) Center the mesh on the inside of the lower clatter bridge rail. The top of the mesh border should be flush to the top of the clatter bridge rail. If you wish you may mark through the center of the grommets and then drill a 1/8" pilot hole by 1" deep before installing the pan head screws.
- 2) The "recessed area" in the grommet will receive the washer. Place a pan head screw through a washer. Place the screw centered through the grommet and drive it in. The washer should seat centered with the grommet. Repeat this process for all the grommets across the top of the mesh.
- 3) Go to each end of the mesh. Push the end of the mesh tight to the corner post or clatter bridge post. Then install screws and washers into the two grommets on each end of the mesh.
- 4) Repeat substeps 1 through 3 for the mesh panel on the lower bridge rail on the opposite side.



TWO
GROMMETS
AT END
OF
MESH.

— CENTER THE MESH PANEL ON THE CLATTER BRIDGE RAIL ON THE INSIDE.
NOTE THE GROMMETS HAVE A RECESSED PART ON ONE SIDE AND IT SHOULD FACE YOU.

— YOU MAY PRE-DRILL 1/8" X 1" DEEP HOLES AT EACH GROMMET LOCATION ALONG THE TOP
PRIOR TO INSTALLING THE PAN HEAD SCREWS AND WASHERS PROVIDED.

****IMPORTANT** - Teach your children not to climb onto or hang from the mesh panels.
If the mesh ever becomes ripped please replace the damaged panel(s).**

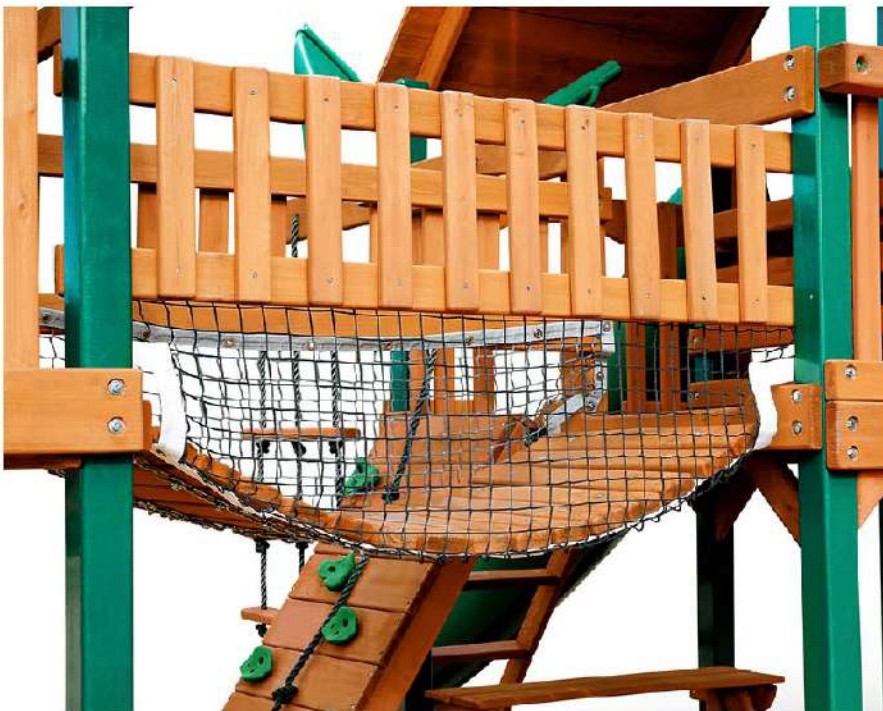
****FOR AGES 3-11**
FOR RESIDENTIAL USE ONLY**

5) It will be very helpful to have an assistant at this stage. We recommend predrilling holes for the screws on the bottom of the deckboards fastened to the chains. Align the edge of the mesh border with the end of the bridge deck boards. Mark through the center grommet onto the deck board. Drill a 1/8" hole by 1" deep. Have your assistant push down on the board while you install a pan head screw and washer into the hole. Go from the center grommet to one end of the mesh and repeat the mark/drill/install fasteners procedure. Then go from the center grommet to the other side and do the same.



MARK THROUGH THE CENTER OF THE CENTER GROMMET ONTO THE MIDDLE DECK BOARD. DRILL A 1/8" X 1" DEEP HOLE AT THE MARK. PLACE A PAN HEAD SCREW THROUGH A WASHER AND INSTALL INTO THE HOLE. TRY TO CENTER THE WASHER ONTO THE GROMMET BEFORE TIGHTENING COMPLETELY.

ALIGN EDGE OF BORDER UNDER THE DECK WITH THE END OF THE 2 X 4 BRIDGE DECK BOARDS THAT ARE FASTENED TO THE CHAINS.



Example picture of the completed Clatter Bridge Mesh Panels.

SOLD SEPARATELY

CANOPY ACCENT (07-0032)

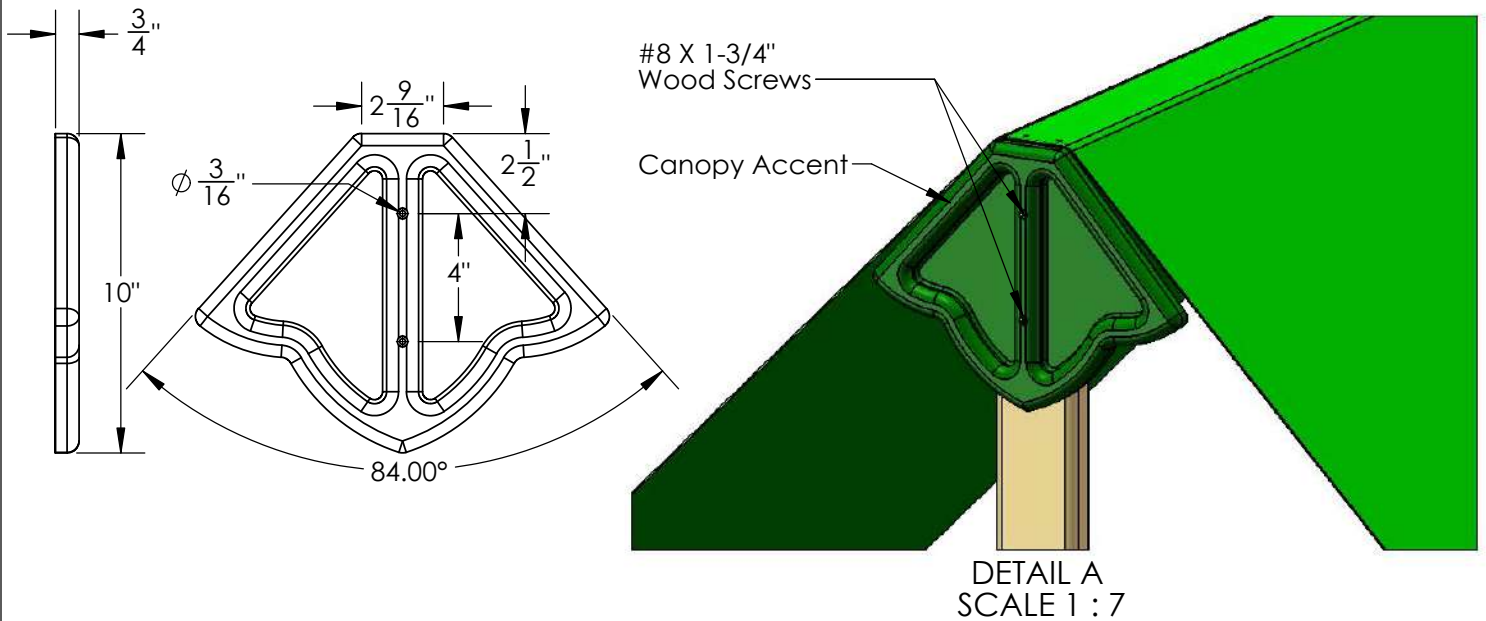
SOLD SEPARATELY

1: Center the Canopy Accent over the front or rear center post. The top of the Canopy Accent should be flush to the top of the center tarp board.

2: Install two #8 x 1-3/4" wood screws to secure the Canopy Accent to the front or rear center post.

Note: The Canopy Accent is sold individually with two screws. A single level play set such as the one shown below could use two Canopy Accents. One may be placed on the front center post as well as the rear center post.

A double level play set could use three Canopy Accents. One on the lower level front center post and two on the upper level front and rear center posts.



FOR RESIDENTIAL USE ONLY
FOR CHILDREN AGES 3-11