



Outing Treehouse with Dual Slides - Tarp Roof

Model: 1851DTF

(BOXES: 1851-1, 1851-2, 1852,
1856, 1860 & Slide Box)

Copyright © 2019 Gorilla Playsets
All Rights Reserved



166 Etowah Industrial Court
Canton, GA 30114

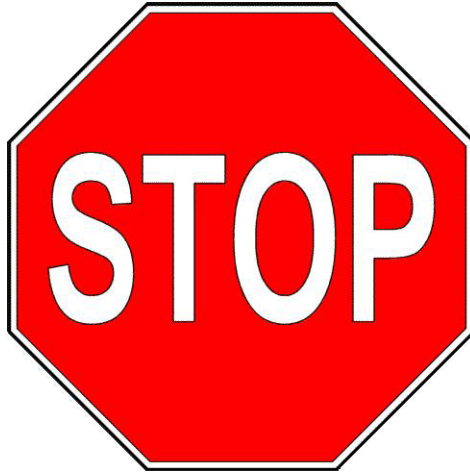
www.gorillaplaysets.com

51-1071-T

REV: 11.15.2019

-NOTICE-

This playset is intended for residential use only. it is not intended nor warranted for either public or commercial use.



Please inspect and inventory all parts immediately upon accepting delivery. Use the inventory pages in the manual to make sure you have received all necessary parts. The quickest method to get any parts that are missing or damaged is to use our “Quick Response Center” located at:

www.gorillaplaysets.com/support

DO NOT RETURN THIS PRODUCT TO THE RETAILER OR CONTACT THE RETAILER DIRECTLY. THE RETAILER DOES NOT STOCK COMPONENTS.

PLEASE RETAIN ALL INSTRUCTIONS FOR FUTURE REFERENCE. KEEP THEM IN A SAFE PLACE WHERE YOU CAN REFER TO THEM AS NEEDED. CHECK FOR REVISED INSTRUCTIONS AT:

www.gorillaplaysets.com/manuals

GORILLA PLAYSETS WARRANTY – 2019

Gorilla Playsets® (“Gorilla”) warrants its play sets to be free from defects in workmanship and materials, under normal use and conditions, for 10 years for above ground structural wood components and for one year for all other components (e.g., swings, hardware, plastics, tarps, rope ladder, etc.).

Gorilla warrants all remaining products, including but not limited to its, Malibu Playhouse, Free Standing Swing Set, Free Standing Tire Swing, See-Saw, Children’s Picnic Table with Umbrella, Play-Zee-Bo™, Cedar Toy Chest, Interlocking Sandbox and spring riders to be free from defects in workmanship and materials, under normal use and conditions, for a period of 1 year.

Cosmetic imperfections and natural tendencies of wood such as peeling, splintering, warping, seasonal checking or cracking, knots or knot holes, etc. are normal characteristics of all outdoor wooden play equipment and are not covered by this warranty. Checks or cracks in wood components that do not affect the intended function of the part, piece or overall swing set are not covered under this warranty.

Wood rot or decay that develops because the product was installed in an area with poor drainage is not covered under this warranty. Lumber that has been damaged by wood boring bees, or conditions that develop as a result of faulty or improper installation of the product, are not covered by this warranty. Fading of stain, discoloration or mold on any wood part or accessory is not covered by this warranty. Cracks in plastic components, surface rust on hardware and chips on powder coated materials are not considered defects in material as long as they do not affect the functionality or structural integrity of the part or component.

It is the owner’s responsibility to maintain the swing set. **This includes but is not limited to staining and sealing the lumber as needed and regular inspection to be sure all hardware is tight.** Instructions for proper maintenance can be found on Gorilla’s website. Imperfections or conditions that develop because of a failure to properly maintain the swing set are not covered by this warranty.

Gorilla will, at its discretion, replace any above ground part within the stated warranty period that is defective in workmanship or materials. This decision is subject to verification of the defect, which, at Gorilla’s discretion, may be accomplished by submitting photographs or by delivery of the defective part to Gorilla Playsets • 166 Etowah Industrial Ct. • Canton, GA 30114 • 1-800-882-0272 Monday to Friday 9AM-5PM EST. Any warranty claim must include proof of purchase, including the date of purchase. **In addition, within the first 30 days from the date of purchase, Gorilla will replace any parts discovered to be missing from or damaged in the original packaging.**

This warranty is valid only if the product is used for the purpose for which it was designed and installed at a residential, single-family dwelling. This warranty is void if the product is used in a commercial, institutional or multi-family setting. **This warranty does not cover normal wear and tear or (a) products that have been damaged by acts of God and/or nature, negligence, misuse or accident; (b) products that have been modified or repaired by unauthorized persons; (c) the cost of labor; or (d) the cost of shipping any replacement product or part.**

GORILLA DISCLAIMS ALL OTHER REPRESENTATIONS AND WARRANTIES OF ANY KIND, EXPRESSED, IMPLIED, STATUTORY OR OTHERWISE, INCLUDING THE IMPLIED WARRANTIES OF MERCHANTABILITY AND FITNESS FOR A PARTICULAR PURPOSE. GORILLA WILL NOT BE LIABLE FOR ANY INCIDENTAL OR CONSEQUENTIAL DAMAGES. This warranty is non-transferable and does not extend to the owners of the product subsequent to the original purchaser. Some states do not allow limitations on implied warranties or exclusion of incidental or consequential damages, so these restrictions may not be applicable to you. This warranty gives you specific legal rights. You may also have other rights which vary from state to state.

IMPORTANT SAFETY GUIDELINES

This product is recommended for use by children ages 3-11. This product is intended for residential use only and not intended for use in any public setting. A safety surface such as mulch or recycled tire should be used under the play set to prevent injury from falls. Also a 6 foot safety zone should be used around the entire play set.

As with any home project, good judgment and respect for power tools will greatly reduce the risk of injury. Gorilla recommends you follow all tool manufacturers' safety guidelines. Always wear eye protection and safety gloves to prevent injury. In several phases of construction two people may be required for lifting and securing of lumber. While the play set is being constructed, please keep children off the equipment until the project is complete. Bolts and screw heads should be checked regularly for tightness. The ground ladder, rope ladder, slide, swings and other areas where children spend a majority of their playtime should be checked more frequently.

Gorilla shall not be liable for incidental, indirect or consequential damages or injuries that result from building and/or playing on our play sets. Adult supervision is recommended anytime a play set is being used.

WEIGHT LIMITS FOR GORILLA PLAYSETS

- FORT PLATFORMS: 800 LBS. TOTAL WEIGHT
- SWING BELT: 225 LBS.
- TANDEM SWINGS: 70 LBS. PER CHILD. UP TO 140 LBS. TOTAL WEIGHT.
- TRAPEZE: 125 LBS.
- FULL BUCKET SWING/ HALF BUCKET SWING: 50 LBS.
- HEAVY DUTY TODDLER BUCKET SWING: 85 LBS.
- INFANT SWING: 35 LBS.
- TIRE SWING: 125 LBS. TOTAL WEIGHT
- ROPE LADDER: 75 LBS.
- ROCK WALL: 150 LBS.
- CLIMBING RAMP: 150 LBS.
- MONKEY BARS: 175 LBS.
- ALL SLIDES: 150 LBS.

Gorilla recommends that the weight limits for all components must not be exceeded. Failure to adhere to these and other safety guidelines could result in damage to the play set and injury to the users.

PRODUCT REGISTRATION

- OUTING TREEHOUSE WITH DUAL SLIDES - TARP ROOF (1851DTF) -

Gorilla Playsets™ manufactures the finest quality products that are designed for outstanding strength and durability. We back our products with unparalleled warranties. In the unlikely event that you need to contact us about covered repairs, we must have a valid Product Registration on file.

3 EASY WAYS TO REGISTER	
OPTION 1	Complete the online registration form at: http://www.gorillaplaysets.com/register
OPTION 2	Fax this completed form to: (678) 880-3300
OPTION 3	Mail this completed form to: Gorilla Playsets 166 Etowah Industrial Court Canton, GA 30114

Where did you buy this product?

Date of Purchase
Store
Store City
Store State

Your registration information:

Name: _____ Email: _____

Address: _____

Street

City

State

Zip

Please select 18-30 41-50

your age 31-40 51+

How old are 2-3 6-7

your children? 4-5 8+

Number of
children

How would ★ ★ ★ ★ ★ Excellent
you rate the ★ ★ ★ ★ Above Average
quality of this ★ ★ ★ Average
product? ★ ★ Below Average
 ★ Poor

Would you recommend this product to friends & family? Yes No

May we add you to our mailing list? Yes No

May we use your comments on websites or other marketing materials? Yes No

Comments: _____

THIS PAGE INTENTIONALLY LEFT BLANK

IMPORTANT – PLEASE READ

Congratulations! You have just purchase one of the finest residential wooden swing sets available today. As with any wooden product that spends its entire life outside, in varying elements, it is important to know what to expect with your new swing set so that your family can enjoy it for many years.

As your swing set acclimates to its new environment, natural characteristics of the wood can show in the form of checks, or “cracks” in the lumber. In almost all cases this is normal and it will not affect the structural integrity of your play set and is not covered under warranty.

KEEPING YOUR PLAYSET LIKE NEW

MUST DO's

The following owner responsibilities are crucial to the safety, integrity and aesthetic appeal of your swing set and may affect the warranty if not adhered to.

WITHIN 60 DAYS

- Check and tighten Hex Bolts/T-nuts, Carriage Bolts/Lock-nuts, and Lag Screws within the first 60 days and then twice annually – once before each season and then once during the season.

WITHIN 90 DAYS

- Apply a **sealant** or **semi-transparent stain with sealant** within the first 90 days of owning the swing set. Our own Stain/sealant is available online here: <http://www.gorillaplaysets.com/Playground-Sealant-p/10-0003.htm>

Oil based stain or water based stain may be used. Should you choose to use other stain we suggest asking the product covering specialists at any number of specialty paint stores or home improvement centers for a product that would work best for your local environment. ** TIP – while the set is new, take a small board from the store with you so they can color match the tint of the stain or sealant.

SEASONAL REMINDERS

- If your area experiences regular snowfall, remove your fabric tarp/canopy to avoid stretching, sagging or tearing of the material. Store it inside, folded up, and it will be as good as new when winter is over.
- If your area experiences extremely cold temperatures, remove swing belts and other pliable features to prolong the lifespan of these play activities.

OTHER TIPS

- Spray swing hangers with Pam, Mazola or olive oil to stop squeaking; do not use petroleum based products such as WD-40 or motor oil.
- To repel yellow jackets and wasps, use a cotton ball and dab interior wooden corners underneath the play set deck with a liquid dish soap. Avoid using insecticides.
- To speed up the slide wipe the center of slide with wax paper every 2 - 3 weeks.

For additional safety and maintenance guidelines, please visit our website.



IMPORTANT DOCUMENTS

CUSTOMER MUST READ AND RETAIN

Please go to the following links and read important SAFETY information prior to using your new play structure.

<http://www.gorillaplaysets.com/Swing-Set-Safety-s/85.htm>

<https://www.gorillaplaysets.com/Maintenance-s/129.htm>

<http://www.gorillaplaysets.com/manuals.html> (Click on your specific model)

<http://www.gorillaplaysets.com/Warranty-s/82.htm>

NOTE: Your children's safety is our #1 concern. Observing the following statements and warnings reduces the likelihood of serious injury. Please review these safety rules regularly with your children.

WARNING:

Children must NOT use this play set until it has been completely assembled and inspected by an adult to ensure it has been properly installed.

Gorilla Playsets
166 Etowah Industrial Court
Canton, GA. 30114



Model: 1851DTF

(BOXES: 1851-1, 1851-2, 1852,
1856, 1860 & SLIDE BOX)

REV: 11.15.2019

TABLE OF CONTENTS

Safety Guidelines.....	Pages 3-7
Leveling Fort, General Information and Definitions.....	Pages 7-9
How to Install T-nuts, and Swing Beam Loading.....	Pages 10-12
Site Plan, Safety Zone, Required Tool List and Kit Contents.....	Pages 13-15
Hardware, Lumber and Accessory Checklists.....	Pages 16-31
Framing Fort - Left Side, Right Side, Front, then Rear.....	Steps 1-13
Attaching Fort Side Supports.....	Step 14
Leveling the play set.....	Step 15
Building the Rockwall.....	Steps 16-18
Panel Supports.....	Step 19
Ladder Assembly and Installation.....	Steps 20-21
Deck Board Installation.....	Step 22
Swing Beam Assembly.....	Steps 23-29
Rear Arch Board.....	Step 30
Center Posts.....	Step 31
Deck Stringer.....	Step 32
Panel Supports/Panel Slats.....	Steps 33-34
Framing Tarp.....	Steps 35-37
Slide Blocks/Slides.....	Steps 38-39
Hanging Swings.....	Step 40
Securing Tarp.....	Step 41
Climbing Rope.....	Step 42
Flag Kits.....	Step 43
Attaching Accessories and Ground Stakes.....	Steps 44-47
Attaching Name Plate, Warning Plate and Bolt Caps.....	Steps 48-49
Treehouse Kit.....	Steps 50-51

PLEASE READ OWNER'S MANUAL CAREFULLY BEFORE STARTING ASSEMBLY!

Safety and Maintenance Tips for Your New Play Set:

NOTE: Your children's safety is our #1 concern. Observing the following statements and warnings reduces the likelihood of serious or fatal injury. Please review these safety rules regularly with your children.

- This play set is designed for the use of 4 occupants who have a combined weight not exceeding 800 pounds on the elevated floor, 3 occupants who have a combined weight of 425 pounds on the swing area, for a total Unit capacity of 7 occupants who have a combined weight of 1225. (This weight does not include any picnic table area(s).)
- On-site adult supervision is required.
- Teach children not to walk close to, in front of, behind, or between moving swings or other moving playground equipment.
- Teach children to sit in and never stand on swings
- Teach children not to twist the chains and ropes and not to loop them over the swing beam, since this may reduce the strength of the chain or rope.
- Teach children not to jump from swings or other playground equipment in motion.
- Teach children not to push empty seats. The seat may hit them and cause serious injury.
- Teach children to sit in the center of the swings with their full weight on the seats.
- Teach children not to use the equipment in a manner other than intended.
- Teach children to always go down slides feet first. Never slide headfirst.
- Teach children to look before they slide to make sure no one is at the bottom.
- Teach children to never run up a slide, as this increases their chances of falling.
- The parents should have the children dress appropriately with well-fitting shoes. No clogs, flip-flops, or sandals are allowed. Loose clothing such as scarves, ponchos or capes should not be worn. Always take off, tie up or tuck in cords and drawstrings on children's clothing. These things can get caught on playground equipment and strangle a child.
- Teach children not to climb when the equipment is wet.
- Teach children to never jump from a fort deck. They should always use the ladder, ramp or slide.
- Teach children to never crawl or walk across the top of monkey bars or swing beam.
- Teach children to never crawl on top of a fort roof or on the outside of a tube slide.
- Verify that any suspended climbing ropes, chains, or cables are secured at both ends and that they cannot be looped back onto itself.
- Teach children not to attach items to the playground equipment that are not specifically designed for use with the equipment, such as, but not limited to, jump ropes, clothesline, pet leashes, cables and chain as they may cause a strangulation hazard.
- Teach children to never wrap their legs around swing chain.
- Teach children to never slide down the swing chain.
- Teach children to remove their bike or other sports helmet before playing on the playground equipment.
- Teach children to NEVER look at the sun or other bright light through any accessory such as but not limited to a telescope, periscope or binoculars.
- Never add extra length to chain or rope. The chains or ropes provided are the maximum length designed for the swings.

WARNING: Children must NOT use this play set until it has been completely assembled and inspected by an adult to insure it has been properly installed and the swing beam legs are anchored.

Safety and Maintenance Tips for Your New Play Set: (continued)

Playgrounds should be inspected on a regular basis. If any of the following conditions are noted, they should be removed, corrected or repaired immediately to prevent injuries.

- Hardware that is loose, worn or that has protrusions or projections.
- Exposed equipment footings.
- Scattered debris, litter, rocks, or tree roots.
- Splinters, large cracks and decayed wood components.
- Deterioration and corrosion on structural components, which connect to the ground.
- Swing chains, rings, ropes, etcetera should always be fastened to a rotating swing hanger. NEVER attach a chain, ring, rope, etcetera to a stationary hanger such as but not limited to an eye bolt. Severe wear could occur leading to an injury.
- Missing or damaged equipment conditions, such as but not limited to handholds, guardrails or swing seats.

At the beginning of each play season:

- Tighten all hardware. (But not so tight that you crack the wood.)
- Lubricate all metallic moving parts per manufacturer instructions..
- Check all protective coverings on bolts, pipes, edges and corners. Replace if they are loose, cracked or missing.
- Check all moving parts including swing seats, ropes, cables and chains for wear, rust, or other deterioration. Replace as needed. Replacement should be made of any swing seat that has developed cracks in the plastic seat.
- Check metal parts for rust. If found, sand and repaint using a nonlead-based paint meeting the requirements of 16 C.F.R. 1303. These requirements are available at: <http://www.cpsc.gov/>
- Check all wood members for deterioration and splinters. Sand down splinters and replace deteriorating wood members. Once or twice a year, depending on your climate conditions, you must apply some type of protection (sealant) to the wood or your play set. Please note this is a requirement of your warranty.
- Reinstall any plastic parts, such as swing seats or any other items that were removed for the cold season.
- Rake and check depth of loose fill protective surfacing materials to prevent compaction and to maintain appropriate depth. Replace as necessary.
- Creating and maintaining the play set on a level location is very important. As your children play, your play set will slowly dig its way into the soil, and it is very important that it settles evenly. Make sure the play set is level and true.

Twice a month during play season:

- Tighten all hardware. (But not so tight that you crack the wood.)
- Check all protective coverings on bolts, pipes, edges and corners. Replace if they are loose, cracked or missing.
- Rake and check depth of loose fill protective surfacing materials to prevent compaction and to maintain appropriate depth. Replace as necessary.

Once a month during play season:

- Lubricate all metallic moving parts per manufacturer instructions.
- Check all moving parts including swing seats, ropes, cables and chains for wear, rust, or other deterioration. Replace as needed. Replacement should be made of any swing seat that has developed cracks in the plastic seat.

At the end of each play season or when the temperature drops below 32°F:

- Remove plastic swing seats and take indoors or do not use.
- Rake and check depth of loose fill protective surfacing materials to prevent compaction and to maintain appropriate depth. Replace as necessary.

Warning Label Maintenance

- Owners shall be responsible for maintaining the legibility of all warning labels. Replace as required.

Disposal Instructions:

When the playset is no longer desired or when it reaches the end of its lifetime it should be disassembled and disposed of in such a way that no unreasonable hazard will exist at the time the playset is discarded.

PLAYGROUND SURFACING MATERIALS

SECTION 4 OF THE CONSUMER PRODUCT SAFETY COMMISSION'S OUTDOOR HOME PLAYGROUND SAFETY HANDBOOK⁹

Select Protective Surfacing

One of the most important things you can do to reduce the likelihood of serious head injuries is to install shock-absorbing protective surfacing under and around your play equipment. The protective surfacing should be applied to a depth that is suitable for the equipment height in accordance with ASTM Specification F 1292. There are different types of surfacing to choose from; whichever product you select, follow these guidelines:

NOTE: Do not install home playground equipment over concrete, asphalt, or any other hard surface. A fall onto a hard surface can result in serious injury to the equipment user. Grass and dirt are not considered protective surfacing because wear and environmental factors can reduce their shock absorbing effectiveness. Carpeting and thin mats are generally not adequate protective surfacing. Ground level equipment – such as a sandbox, activity wall, playhouse or other equipment that has no elevated play surface – does not need any protective surfacing.

Loose-Fill Materials:

- ❑ Maintain a minimum depth of 9 inches of loose-fill materials such as wood mulch/chips, engineered wood fiber (EWF), or shredded/recycled rubber mulch for equipment up to 8 feet high; and 9 inches of sand or pea gravel for equipment up to 5 feet high. NOTE: An initial fill level of 12 inches will compress to about a 9-inch depth of surfacing over time. The surfacing will also compact, displace, and settle, and should be periodically refilled to maintain at least a 9-inch depth.
- ❑ Use a minimum of 6 inches of protective surfacing for play equipment less than 4 feet in height. If maintained properly, this should be adequate. (At depths less than 6 inches, the protective material is too easily displaced or compacted.)
- ❑ Use containment, such as digging out around the perimeter and/or lining the perimeter with landscape edging. Don't forget to account for water drainage. U.S. Consumer Product Safety Commission, Washington, D.C., 20207 or call the toll-free hotline :1-800-638-2772
- ❑ Check and maintain the depth of the loose-fill surfacing material. To maintain the right amount of loose-fill materials, mark the correct level on play equipment support posts. That way you can easily see when to replenish and/or redistribute the surfacing.
- ❑ **Do not** install loose fill surfacing over hard surfaces such as concrete or asphalt.

Poured-In-Place Surfaces or Pre-Manufactured Rubber Tiles:

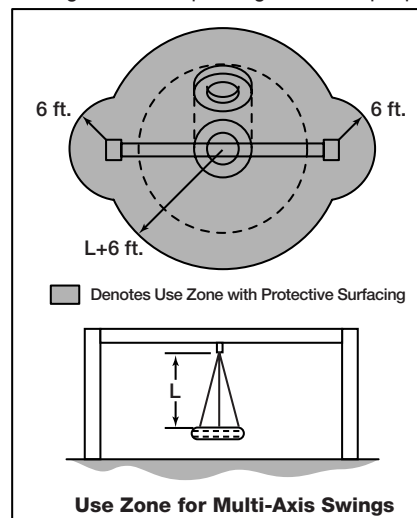
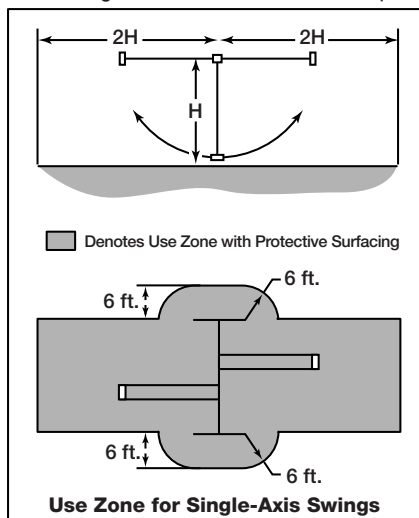
You may be interested in using surfacing other than loose-fill materials – like rubber tiles or poured-in-place surfaces.

- ❑ Installations of these surfaces generally require a professional and are not "do-it-yourself" projects.
- ❑ Review surface specifications before purchasing this type of surfacing. Ask the installer/manufacturer for a report showing that the product has been tested to the following safety standard: ASTM F 1292 Standard Specification for Impact Attenuation of Surfacing Materials within the Use Zone of Playground Equipment. This report should show the specific height for which the surface is intended to protect against serious head injury. This height should be equal to or greater than the fall height – vertical distance between a designated play surface (elevated surface for standing, sitting, or climbing) and the protective surfacing below – of your play equipment.
- ❑ Check the protective surfacing frequently for wear.

Placement

Proper placement and maintenance of protective surfacing is essential. Be sure to

- ❑ Extend surfacing at least 6 feet from the equipment in all directions.
- ❑ For to-fro swings, extend protective surfacing in front of and behind the swing to a distance equal to twice the height of the top bar from which the swing is suspended.
- ❑ For tire swings, extend surfacing in a circle whose radius is equal to the height of the suspending chain or rope, plus 6 feet in all directions.



⁹ This information has been extracted from the CPSC publications "Playground Surfacing—Technical Information Guide" and "Handbook for Public Playground Safety." Copies of these reports can be obtained by sending a postcard to the: Office of Public Affairs, U.S. Consumer Product Safety Commission, Washington, D.C., 20207 or call the toll-free hotline: 1-800-638-2772

Play Set Surfacing Recommendations:

Below are some of the recommendations that the U.S. Consumer Product Safety Commission (CPSC) offers from its Handbook for Public Playground Safety. The guide can be downloaded in full at www.cpsc.gov/PageFiles/122149/325.pdf

1. Protective Surfacing - Since almost 60% of all injuries are caused by falls to the ground, protective surfacing under and around all playground equipment is the most critical safety factor on playgrounds.

Certain manufactured synthetic surfaces also are acceptable; however, test data on shock absorbing performance should be requested from the manufacturer.

Asphalt and concrete are unacceptable. They do not have any shock absorbing properties. Similarly, grass and turf should not be used. Their ability to absorb shock during a fall can be reduced considerably through wear and environmental conditions.

Certain loose-fill surfacing materials are acceptable. Surfacing materials are acceptable, such as the types and depths shown in the table.

Fall Heights and Materials

Type Of Material	6 in. depth	9 in. depth	12 in. depth
Double-Shredded bark mulch	6' Fall Height	10' Fall Height	11' Fall Height
Wood Chips	6' Fall Height	7' Fall Height	12' Fall Height
Fine Sand	5' Fall Height	5' Fall Height	9' Fall Height
Shredded Tires*	10-12' Fall Height	N/A	N/A
Fine Gravel	6' Fall Height	7' Fall Height	10' Fall Height

*This data is from tests conducted by independent testing laboratories on a 6-inch depth of uncompressed shredded tire samples produced by four manufacturers. The tests reported critical heights, which varied from 10 feet to greater than 12 feet. It is recommended that persons seeking to install shredded tires as a protective surface request test data from the supplier showing the critical height of the material when it was tested in accordance with ASTM F1292.

It should be recognized that all injuries due to falls cannot be prevented no matter what surfacing material is used.

2. Fall Zones - A fall zone, covered with a protective surfacing material, is essential under and around equipment where a child might fall. This area should be free of other equipment and obstacles onto which a child might fall. Stationary climbing equipment and slides should have a fall zone extending a Minimum of 6' in all directions from the perimeter of the equipment.

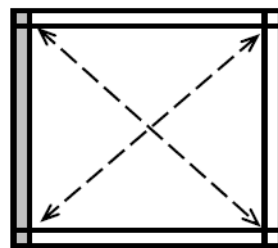
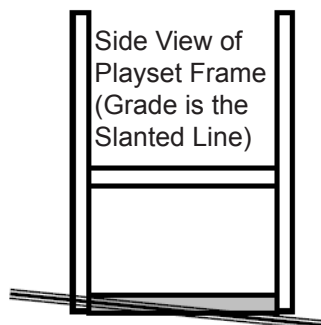
Swings should have a fall zone extending a minimum of 6' from the outer edge of the support structure on each side. The fall zone in front and back of the swing should extend out a minimum distance of twice the height of the swing as measured from the ground to the top of the swing support structure.

LEVELING YOUR FORT DURING ASSEMBLY

- Complete the steps which will be the basic frame of the fort. {i.e. four corner posts with base (sand box boards) and deck supports}
- Position in the most level area chosen for the play set, keeping in mind the location and size of the swing beam, ladder, slides, etc. that extend off the fort.
- Once the frame is in the final position, check for vertical and horizontal levelness to determine which side(s) will need to be dug into the ground to level the play set.
- With a shovel, score the ground around the outside edges of the sandbox boards on the 'high' side of the fort. This is the area that will be dug in. Make sure to score deep enough; the scored lines will be your digging template.
- Push the frame off and away from the scored area, far enough to dig and remove dirt to reach the appropriate depth.
- Dig a channel along the scored line(s) for the base of the fort (corner post and sandbox boards) to rest into. Dig the channel(s) to the same level depth. The bottom of the channel(s) should be level to each other so your frame doesn't teeter or rock because the channel(s) are uneven.
- Once you have removed enough grass and dirt, slide/push the frame into the channel(s). Place a level on the vertical and horizontal boards of the frame to determine if enough soil, or too much, was removed.
- Repeat this process until the basic frame is plumb and level and in its final position before completing the rest of the assembly.
- Measure to make sure fort is square.

Important: if you require a channel depth of more than 6", then we recommend you have your play set area professionally graded before completing assembly.

Example Play area:

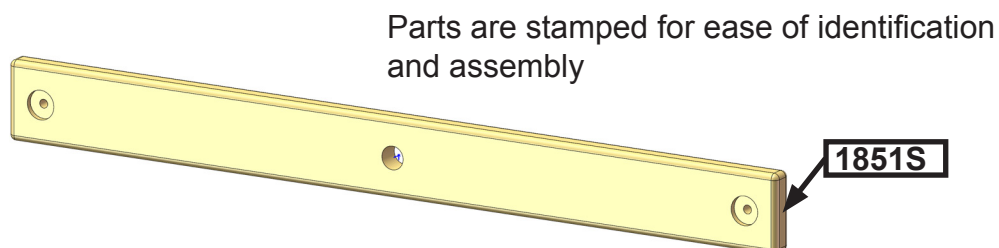


The diagonal measurements should be the same from corner post to corner post. If not, adjust corner posts so that the distance is equal.

■ = Area to be scored and channeled for levelness

General Info to Review Before Installation

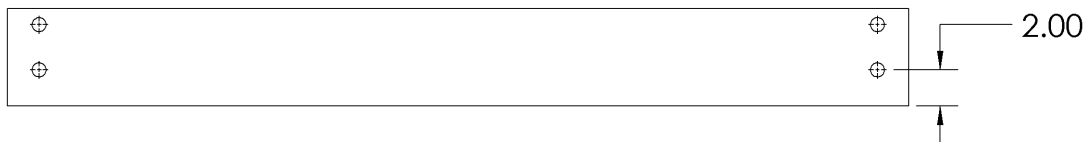
- Depending on your experience, assembly of the playset can take as little as 6 hours up to 24 hours, depending on size, after inventory of parts; therefore, we recommend you set aside a full two days for assembly.
- Identify all of the parts for your play set. Empty each box and lay out boards so you can see each part. Your instruction book will have detailed drawings that will make it easy for you to recognize individual parts. Keep all hardware and metal parts separate from wooden pieces.
- After everything is laid out, check carefully to ensure all parts are present. Make sure there are no broken boards.
- Find an area to sort your hardware. It is best to open the hardware on a solid surface so that you do not lose any pieces in the grass. This will save time and familiarize you with all the different pieces in the hardware bag.
- Important note: Wood has some natural defects such as knots, surface cracks, etc... We reject parts that are structurally defective. We use a high quality lumber in our structures; however, you should inspect each part for splinters or rough spots and sand them smooth to prevent injury.
- After familiarizing yourself with all of the components, read all instructions thoroughly. Reading instructions after you have studied the parts will help you understand the installation process, and help to eliminate unnecessary mistakes.
- Pay close attention to the diameter and length of each bolt and screw.
- Never tighten hardware completely at first. It helps to have some adjustment for bolt alignment while you are attaching parts together. After everything is square, tighten each joint.
- After the main unit is assembled it is critical that the floor is level and square. If the main frame is not level, the walls and floor will be out of square.
- After you complete installation, make sure every bolt, screw, and nut is tight, and every board is secure. Wood will expand and contract with the seasons.
- Place the set on level ground, not less than 6 feet from any structure or obstruction such as a fence, garage, house, overhanging branches, laundry lines, or electrical wires.



This page is a list of definitions and explanations used throughout our instructions to aid you in the assembly of your play set.

Offset Holes- Throughout the installation procedures we will refer to parts with offset holes. This refers to the orientation of the holes on the board. An offset hole is one that is closer to one side than it is the other or in other words, it is not centered on the board. In the procedures you will be instructed to attach the boards with the holes offset up or with the holes offset down. This refers to which side of the board the hole/holes should be closer to. Offset holes up= hole/holes will be closer to the top of the board. Offset holes down= hole/holes will be closer to the bottom of the board. Note: some parts do not have offset holes, but instead the holes are on center. Therefore there will not be any reference on how to offset these parts.

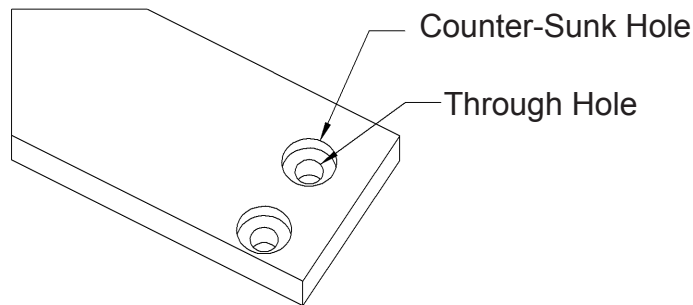
EXAMPLE OF OFFSET HOLES UP



EXAMPLE OF OFFSET HOLES DOWN



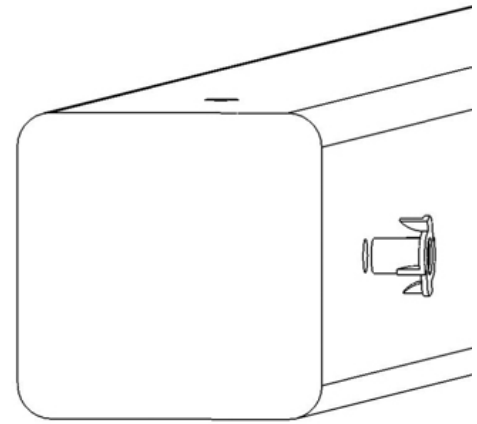
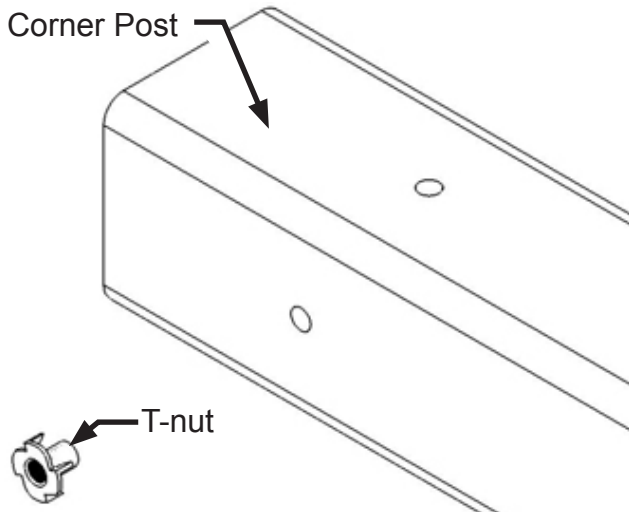
Counter-sunk holes - Many of the parts that will be used have counter-sunk holes. A counter-sunk hole is one that surrounds one side of a through hole, but does not extend through the wood it's self. When using a counter-sunk hole the bolt will be inserted through the through hole and either the head of the bolt and washer or nut and washer will occupy the counter sunk hole.



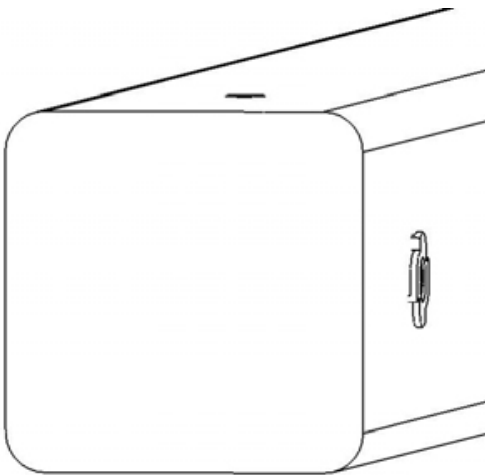
Lag Screws- Lag screws are used in the construction of our play sets to enhance the structural integrity of the unit. There will not be predrilled holes in the post for lag screw installation. Lag screws are self-tapping, though if you are using a manual socket wrench it may be advantageous to pre-drill a hole first. Instructions for this are provided on a separate page in the front of the manual. Be sure to tighten the lags completely when driving them in by hand. Power tools such as a heavy duty impact driver or large power drill should have enough torque to drive in the lag screws, but make sure not to over tighten as this can cause the threads to “strip out” in the post.

Common Installation Practice Installing T-nuts

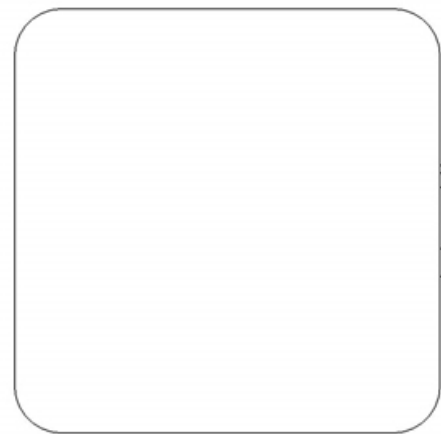
When installing T-nuts into the wood, use a smooth faced hammer to set the face of the T-nut flush into the wood.



Insert the barrel of the T-nut into the predrilled hole. Using a smooth faced hammer, drive the T-nut until the face of the T-nut is flush to the wood.

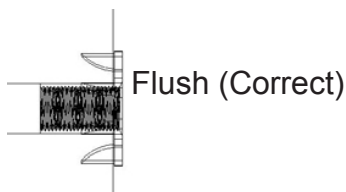


This picture shows the T-nut inserted and installed flush to the wood.



This picture shows an end view of the T-nut installed flush to the wood.

WARNING: DO NOT EMBED THE TOP OF THE T-NUT INTO THE FACE OF THE WOOD



Cross Section end view, you are looking at an X-ray view of the post and T-nut. The barrel of the T-nut is in the corner post the line is the face of the wood.

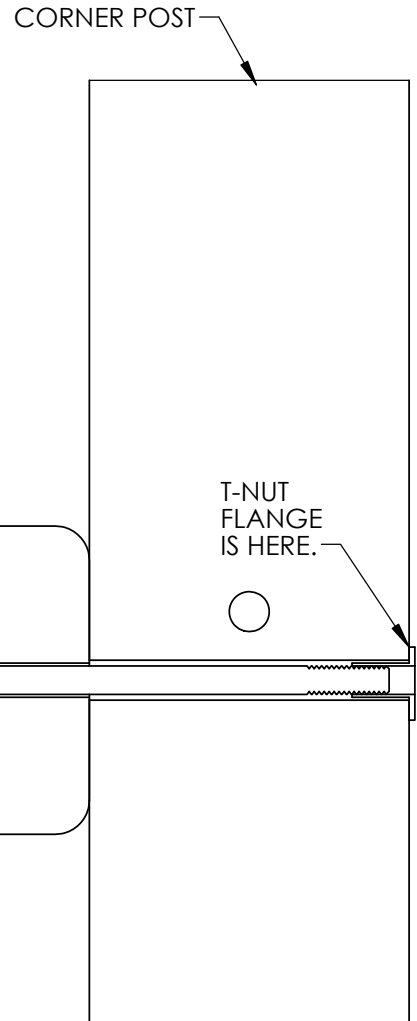
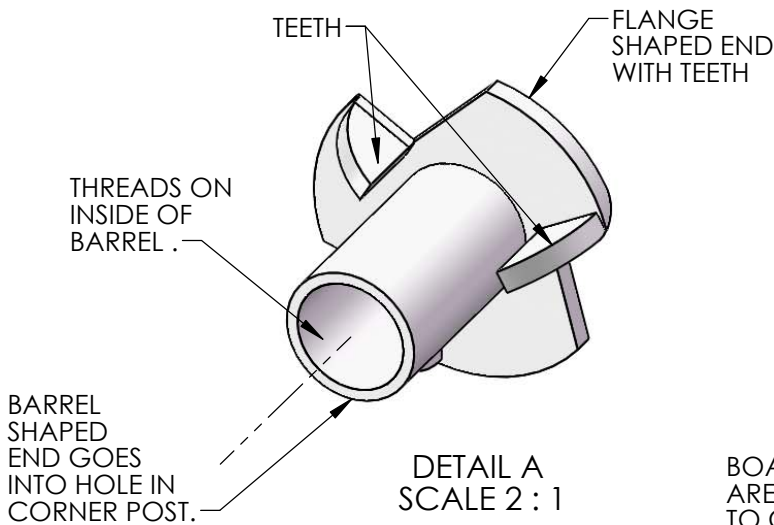
HOW A T-NUT WORKS

USUALLY THE FIRST STEP IN OUR ASSEMBLY INSTRUCTIONS IS TO INSERT T-NUTS INTO THE CORNER POSTS. A T-NUT IS A FASTENER WHICH IS THREADED ON THE INSIDE AND IT FUNCTIONS JUST LIKE A STANDARD HEX NUT. YOU INSERT THE T-NUTS INTO THE PREDRILLED HOLES IN THE CORNER POSTS.

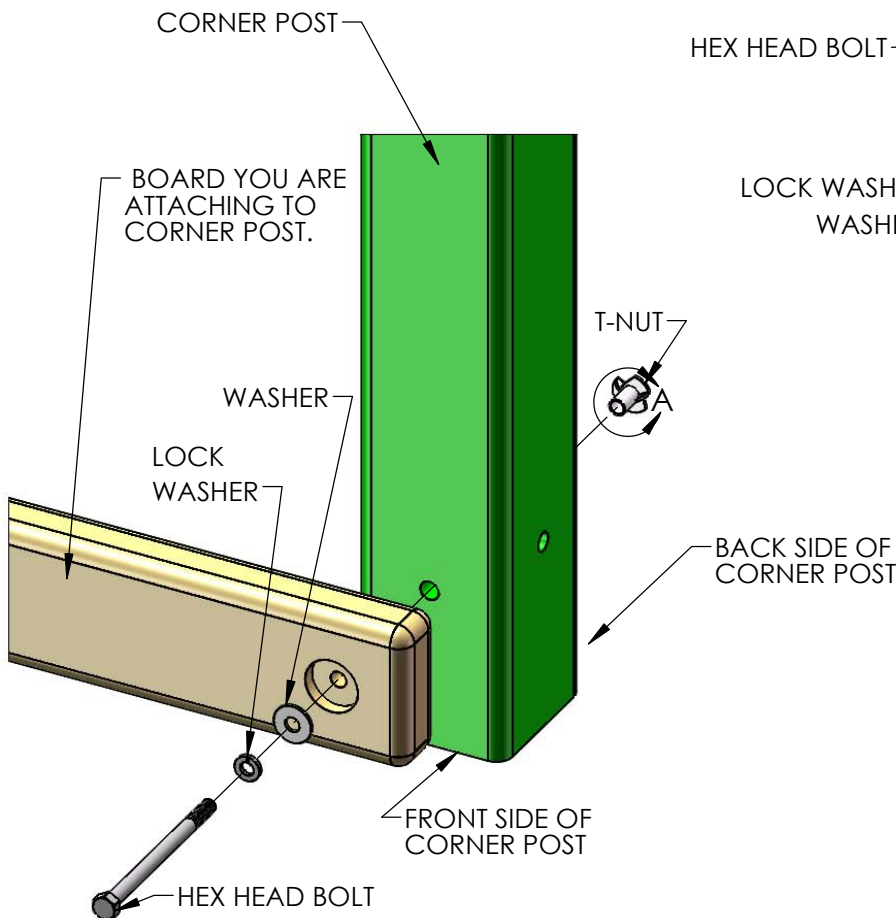
THE T-NUT HAS A BARREL SHAPED END WHICH GOES INTO THE HOLE IN THE CORNER POST. THE T-NUT ALSO HAS A FLANGE SHAPED END WITH TEETH. THE TEETH PENETRATE INTO THE CORNER POST WOOD TO PREVENT THE T-NUT FROM SPINNING WHEN YOU TIGHTEN THE HEX HEAD BOLT.

SHOWN BELOW YOU WILL SEE THE T-NUT IS HAMMERED INTO THE CORNER POST ON THE BACK SIDE. THE BOARD IS BEING ATTACHED ON THE FRONT SIDE OF THE CORNER POST.

T-NUT DETAILS



CROSS SECTION VIEW OF BOARD, CORNER POST AND FASTENERS.



SWING BEAM LOADING

Weight Limits for Accessories:

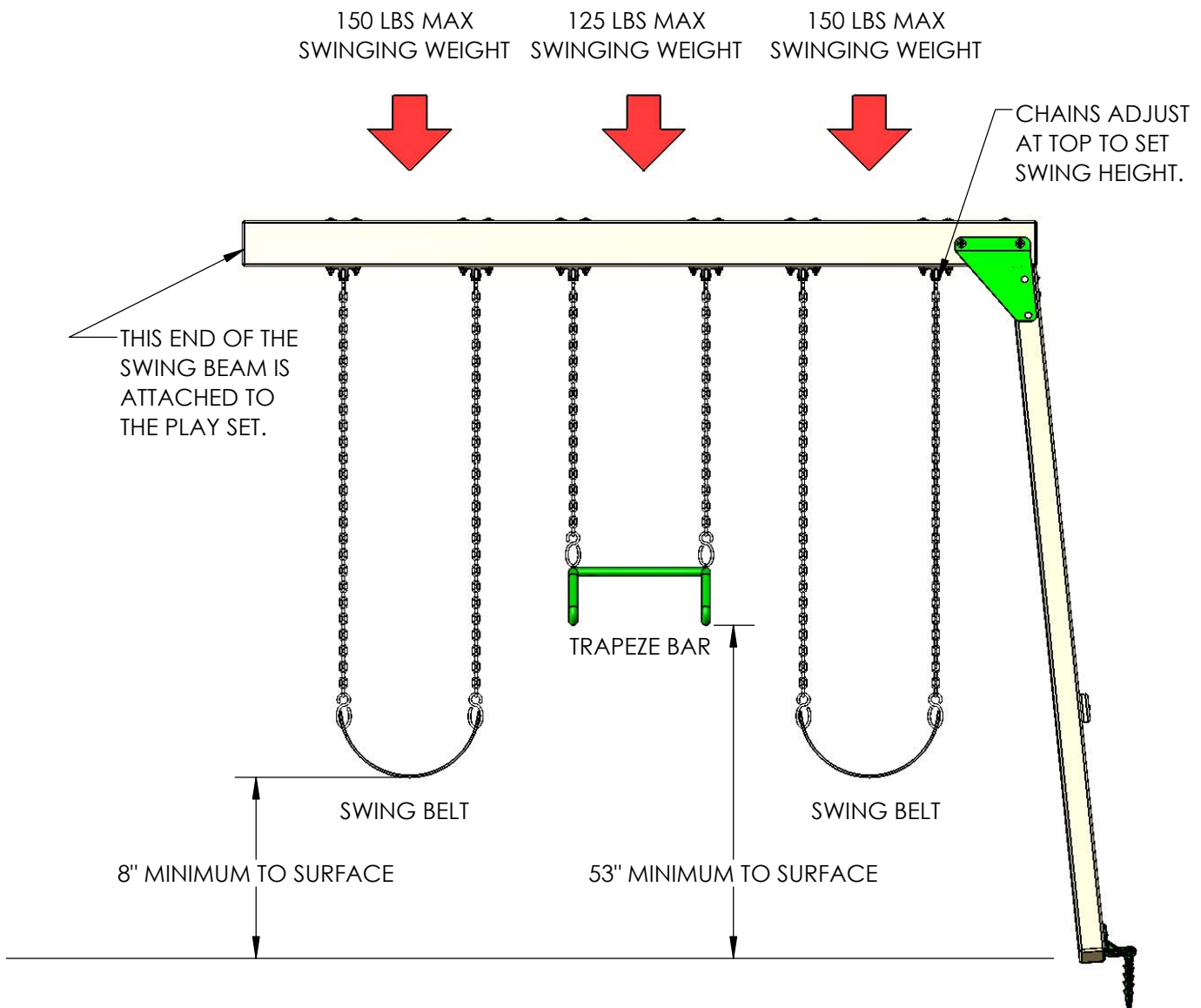
The weight limit for a Swing Belt is 225 lbs. (Although 150lbs is the maximum recommended swinging weight capacity for the swing position.)

The weight limit for a Trapeze Bar is 125 lbs.

Maximum Allowable swinging weight for a three position swing:

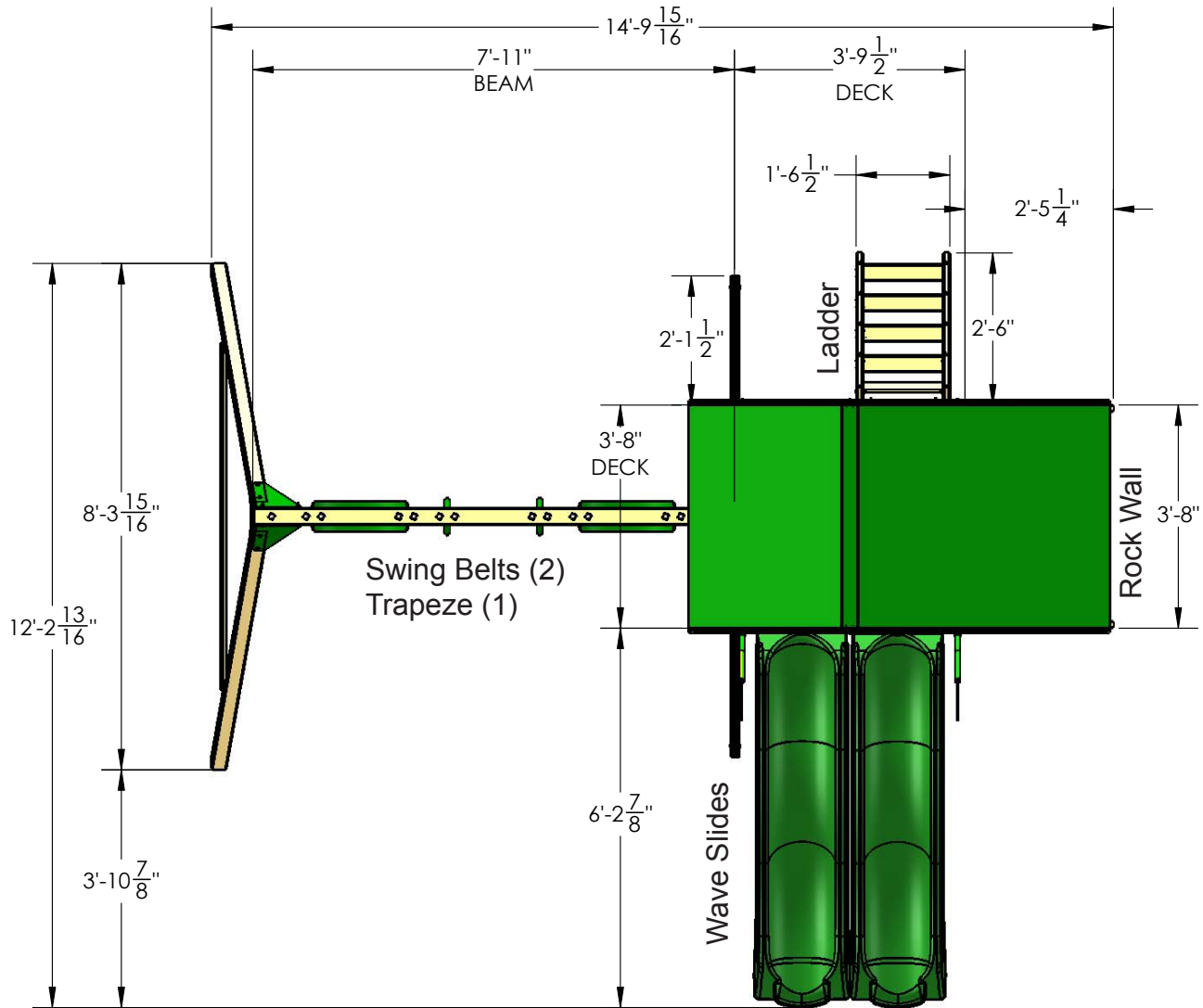
- 1) The maximum allowable swinging weight at each Swing Belt position is 150 lbs.
- 2) The maximum allowable swinging weight at the Trapeze position is 125 lbs.
- 3) The **MAXIMUM SWING BEAM LOAD IS 425 lbs.**

MAXIMUM SWING BEAM LOAD IS 425 LBS.



Please familiarize yourself with the manual, parts/components and general construction process of your new playset before getting started.

SITE PLAN:



Playset height: 10 feet - 1-5/8 inches

Fall height: 6 feet - 3 inches

Swing Beam height: 7 feet - 2-3/4 inches

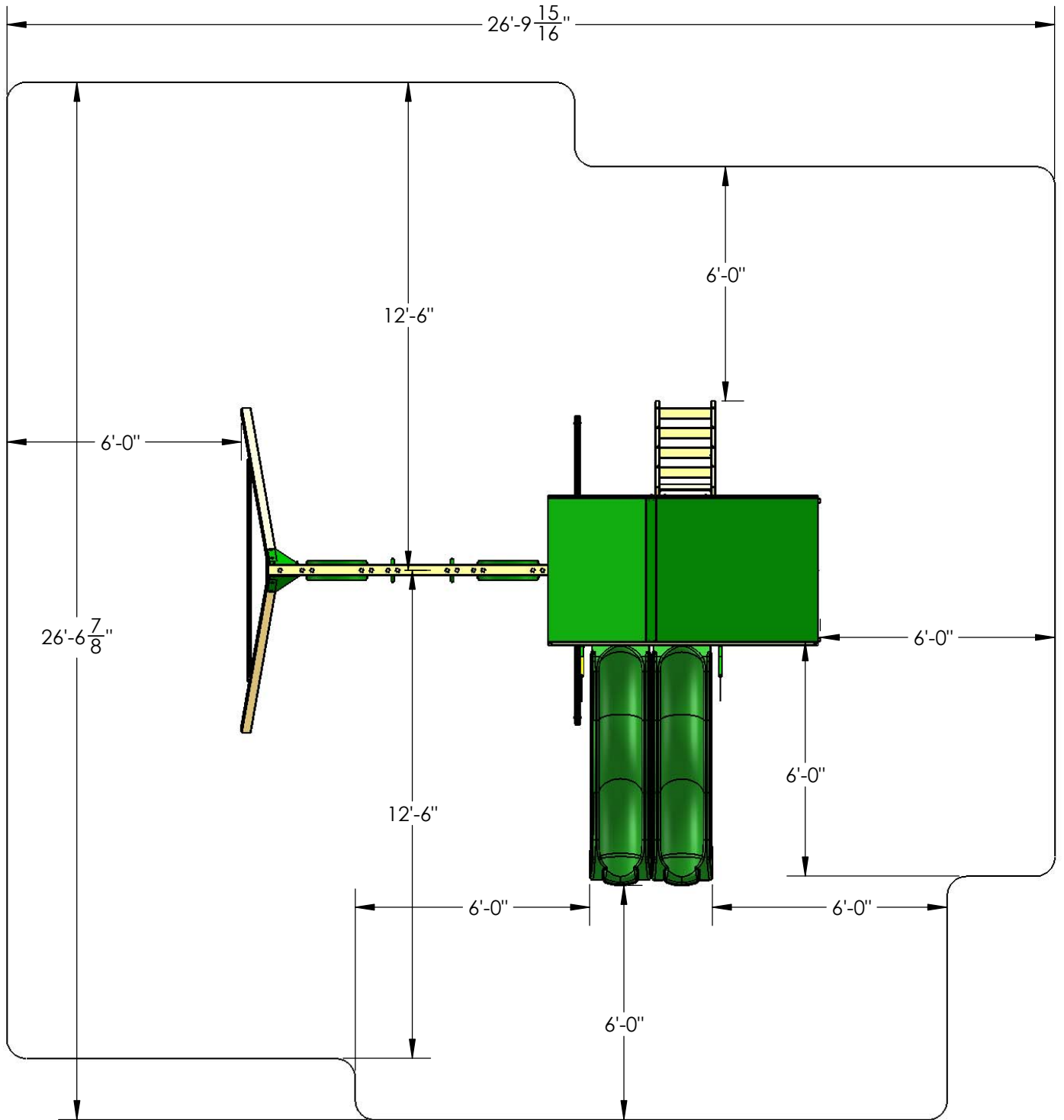
Deck height: 4 feet

Deck Size: 3 feet - 9-1/2 inches wide by 3 feet - 8 inches deep

Approximate assembly time: 6 to 10 hours

(6) foot unobstructed safety perimeter around playset recommended

SAFETY ZONE



(6) foot unobstructed safety perimeter around playset recommended

REQUIRED TOOL LIST:

- ___ Standard or Cordless Drill w/ Phillips Bit (#2 square bit provided)
- ___ Drill Bits 1/8", 3/16", 3/8".
- ___ 1/2" Wrench and Socket
- ___ 1/2" Deep Well Socket
- ___ 9/16" Deep Well Socket
- ___ 9/16" Wrench and Socket
- ___ Level
- ___ Tape Measure
- ___ Extension Cord (if using standard drill)
- ___ Hammer
- ___ Pencil
- ___ Locking Pliers (Vise Grips)
- ___ Shovel
- ___ Quick Square

KIT CONTENTS:

Swings, Slides, Accessories:

- ___ (Qty) Description
- ___ (2) Swingbelts w/ Chains
- ___ (1) Trapeze
- ___ (2) Wave Slide
- ___ (8) Rock Wall Grips (assorted colors)
- ___ (1) Tarp 44" x 113"
- ___ (1) Flag Kit (pair)
- ___ (1) Telescope
- ___ (1) Steering Wheel
- ___ (1) Safety Handles (pair)
- ___ (2) Ground Stakes (pair)
- ___ (2) Plastic Window (07-0029-G)

Fort Hardware:

see following pages

Swing Beam Hardware:

see following pages

Wood Components:

see following pages

#8 X 1"
 WOOD SCREW 1700Z
 QTY: 8



#8 X 1-1/4"
 WOOD SCREW 1325Z
 QTY: 48



#8 X 1-1/2"
 WOOD SCREW 1701Z
 QTY: 40



#8 X 2"
 WOOD SCREW 1342Z
 QTY: 100



#8 X 2-1/2"
 WOOD SCREW 1327Z
 QTY: 54



#8 X 3"
 WOOD SCREW 1077Z
 QTY: 10



#14 X 2-1/2"
 PAN HEAD
 WOOD SCREW 1329Z
 QTY: 2



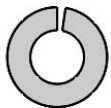
#14 X 1-1/4"
 TRUSS HEAD
 WOOD SCREW FS2897
 QTY: 6



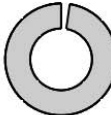
#2 SQUARE
 DRIVE BIT FS2824
 QTY: 1



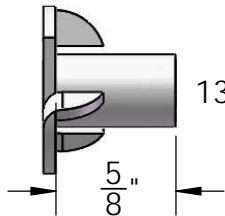
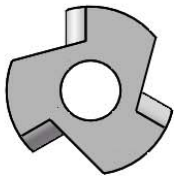
1/4" SPLIT
 LOCK WASHER 1341Z
 QTY: 2



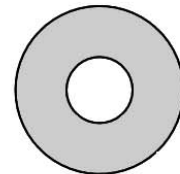
5/16" SPLIT
 LOCK WASHER 1332Z
 QTY: 32



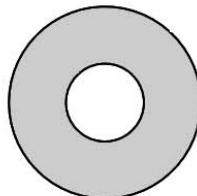
5/16 T-NUT 1381Z
 QTY: 34



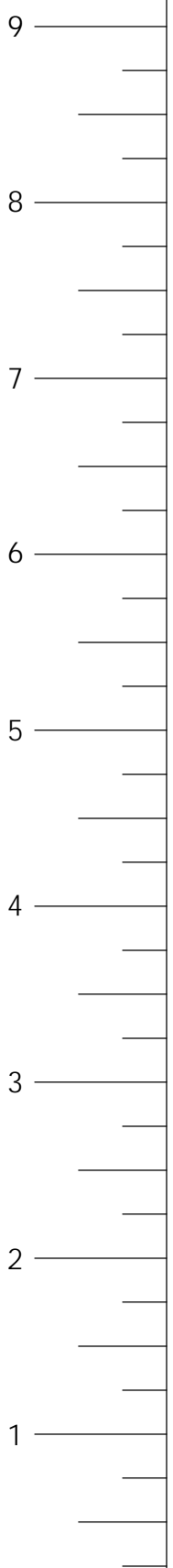
5/16" FLAT
 WASHER 1336Z
 QTY: 30



3/8" FLAT
 WASHER 1318Z
 QTY: 28

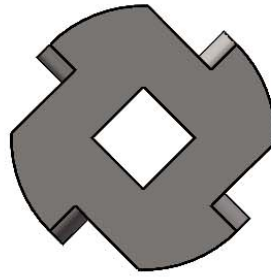


3/8" LOCK NUT 1320Z
 QTY: 28

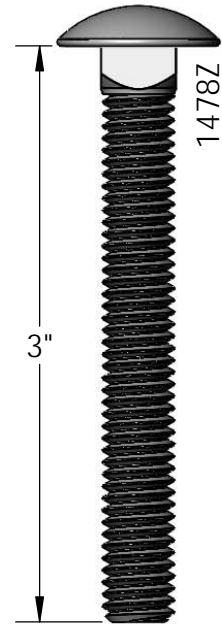


USE THE RULER TO THE RIGHT TO MEASURE YOUR BOLTS AND SCREWS. PICTURE VIEWS SHOWN ABOVE ARE 1:1 SCALE AND CAN BE USED TO MATCH BOLT AND SCREW SIZES.

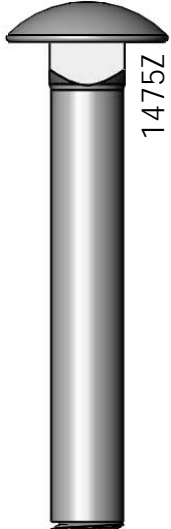
NOTE: CARRIAGE BOLTS OVER 6" MAY BE UP TO 1/4" SHORTER DUE TO MANUFACTURER TOLERANCES.



3/8" TORQUE WASHER
 QTY: 18
 1370Z



3/8" x 3"
 CARRIAGE BOLT
 QTY: 2



1475Z

3/8" X 8-1/2"
 CARRIAGE BOLT
 QTY: 1



1368Z

3/8" X 6-1/2"
 CARRIAGE BOLT
 QTY: 14



1367Z

3/8" X 6"
 CARRIAGE BOLT
 QTY: 2



1375Z

3/8" X 4-1/2"
 CARRIAGE BOLT
 QTY: 2



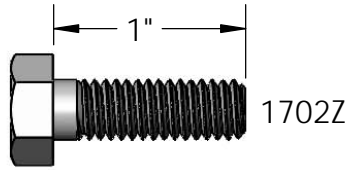
1384Z

3/8" x 3-3/4"
 CARRIAGE BOLT
 QTY: 6

USE THE RULER TO THE RIGHT TO MEASURE YOUR BOLTS AND SCREWS. PICTURE VIEWS SHOWN ABOVE ARE 1:1 SCALE AND CAN BE USED TO MATCH BOLT AND SCREW SIZES.

NOTE: HEX BOLTS MAY COME PARTIALLY OR FULLY
THREADED DEPENDING UPON THE MANUFACTURER.

5/16" X 1"
HEX BOLT
QTY: 2



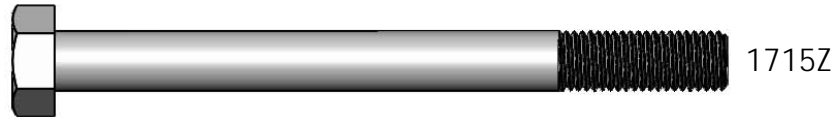
5/16" X 1-1/2"
HEX BOLT
QTY: 4



5/16" X 1-3/4"
HEX BOLT
QTY: 2



5/16" X 3-1/2"
HEX BOLT
QTY: 12



5/16" x 3-3/4"
HEX BOLT
QTY: 8



FS 2837

3/8" BOLT COVER
QTY: 20

9
8
7
6
5
4
3
2
1

USE THE RULER TO THE RIGHT TO MEASURE YOUR BOLTS AND SCREWS. PICTURE VIEWS SHOWN ABOVE ARE 1:1 SCALE AND CAN BE USED TO MATCH BOLT AND SCREW SIZES.

11-0105
1852 HARDWARE
PAGE 1 OF 1
REV A: 9/20/2019 JH

#8 X 1-1/2"
WOOD SCREW
QTY: 4



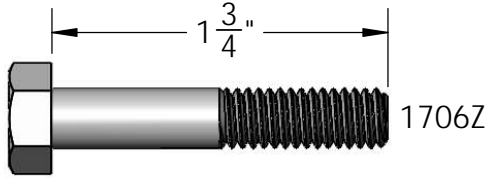
#8 X 2-1/2"
WOOD SCREW
QTY: 12



#14 X 1"
PAN HEAD SCREW
QTY: 6



5/16" X 1-3/4"
HEX BOLT
QTY: 2

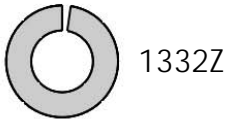


5/16" x 3-3/4"
HEX BOLT
QTY: 4

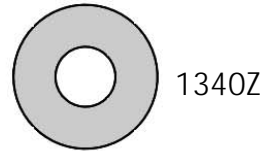


NOTE: HEX BOLTS MAY COME PARTIALLY OR FULLY
THREADED DEPENDING UPON THE MANUFACTURER.

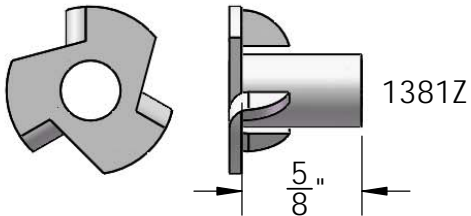
5/16" SPLIT
LOCK WASHER
QTY: 6



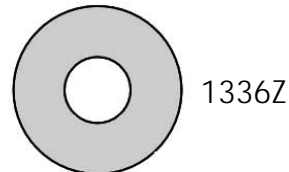
1/4" FLAT
WASHER
QTY: 6



5/16 T-NUT
QTY: 6



5/16" FLAT
WASHER
QTY: 8



USE THE RULER TO THE RIGHT TO MEASURE YOUR BOLTS AND SCREWS. PICTURE VIEWS SHOWN
ABOVE ARE 1:1 SCALE AND CAN BE USED TO MATCH BOLT AND SCREW SIZES.

#8 X 1-1/4"
 WOOD SCREW 1325Z
 QTY: 14



#8 X 1-1/2"
 WOOD SCREW 1701Z
 QTY: 5



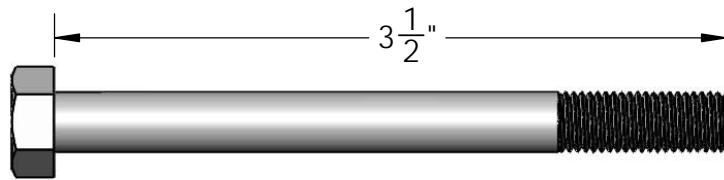
#8 X 2"
 WOOD SCREW 1342Z
 QTY: 2



#8 X 2-1/2"
 WOOD SCREW 1327Z
 QTY: 8

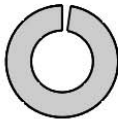


5/16" x 3-1/2"
 HEX BOLT
 QTY: 4

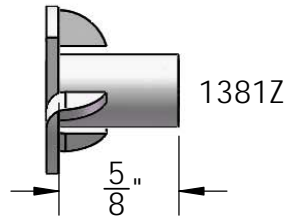
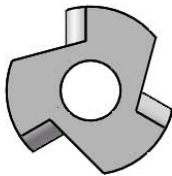


NOTE: HEX BOLTS MAY COME PARTIALLY OR FULLY
 THREADED DEPENDING UPON THE MANUFACTURER.

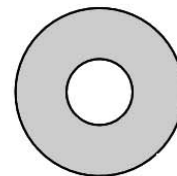
5/16" SPLIT
 LOCK WASHER 1332Z
 QTY: 4



5/16 T-NUT
 QTY: 4



5/16" FLAT
 WASHER 1336Z
 QTY: 4



9

8

7

6

5

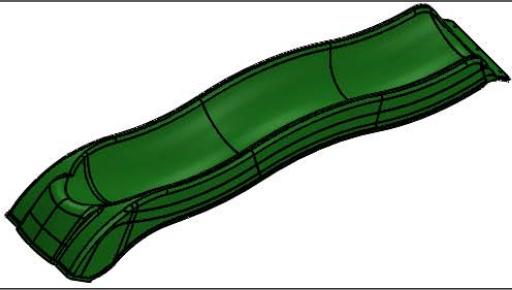


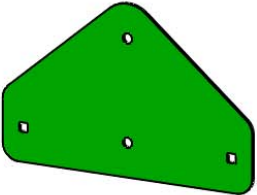
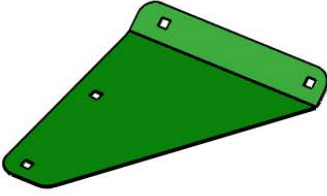
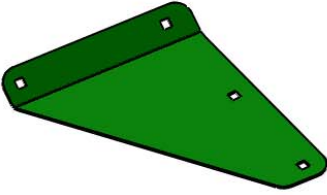
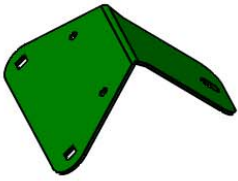
4




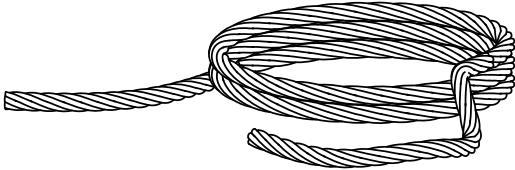
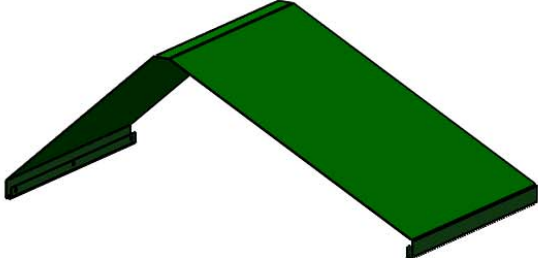
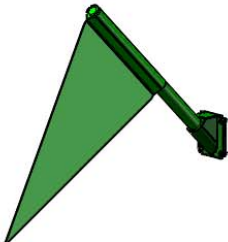
3

2

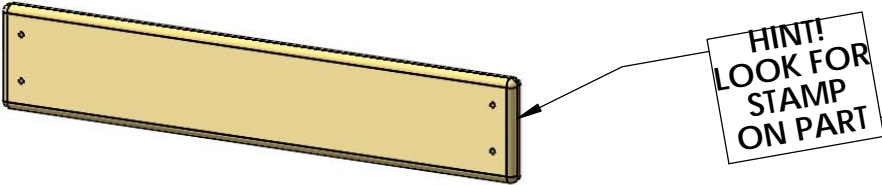
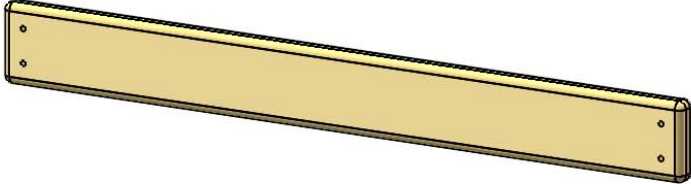
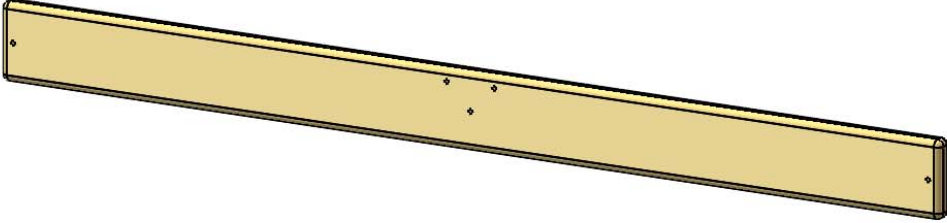
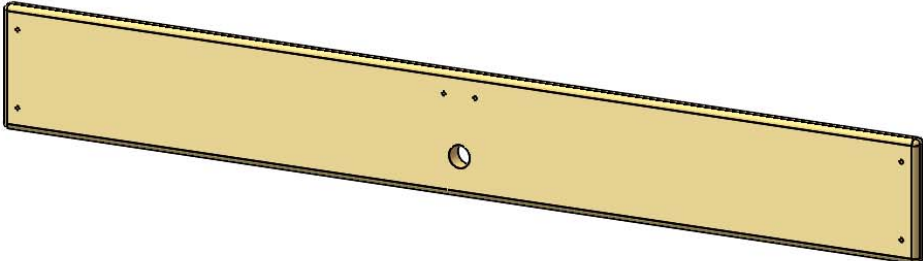
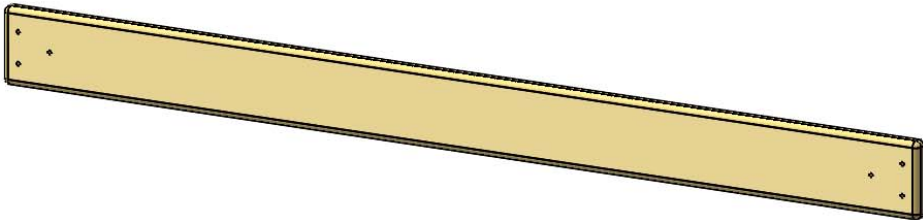
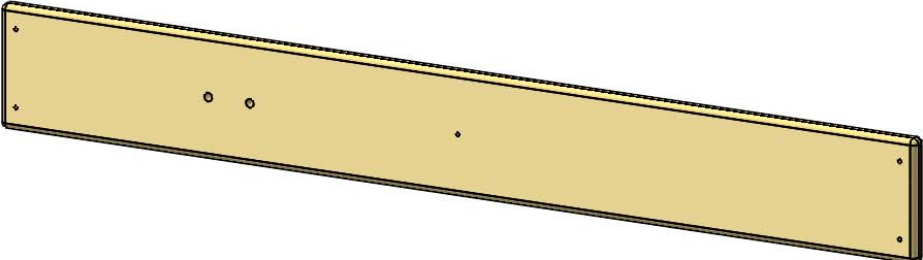
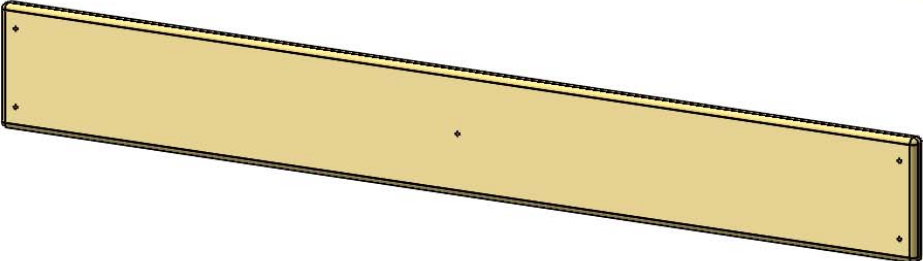
1

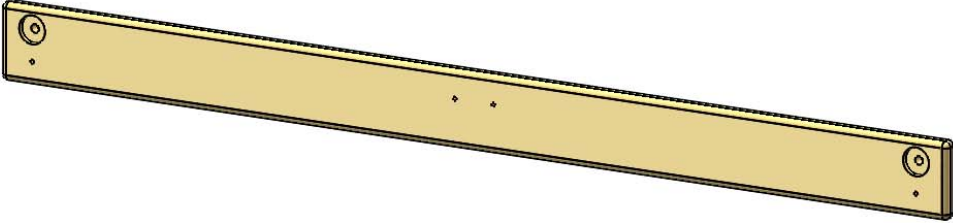
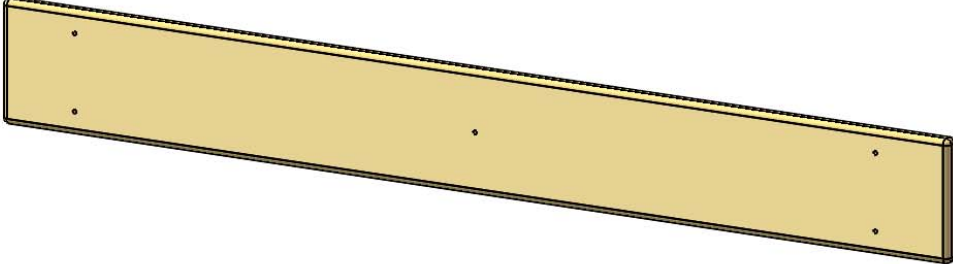
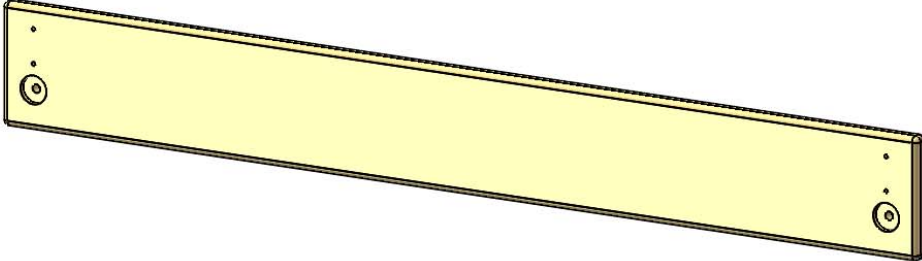
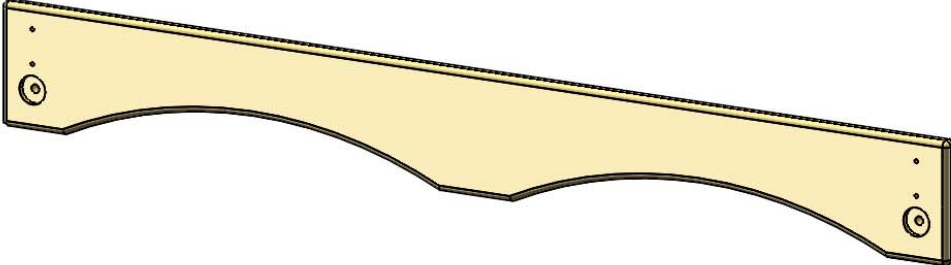
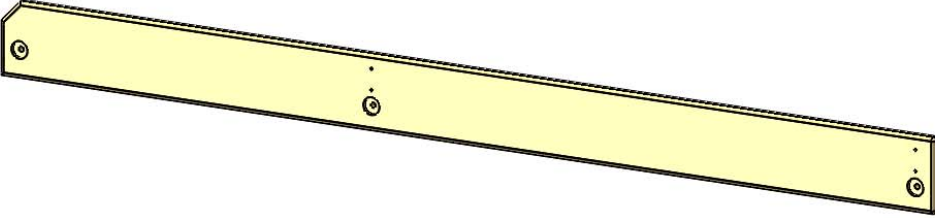
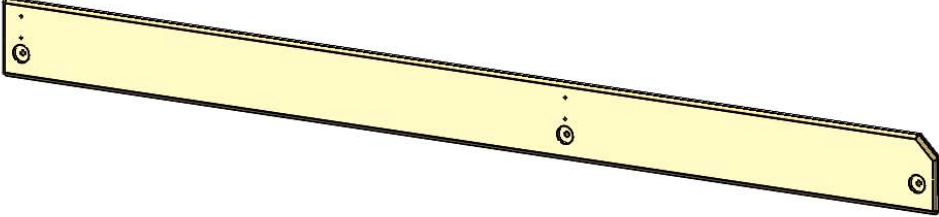
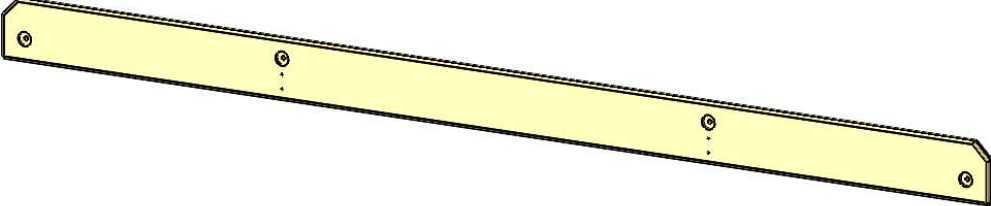
USE THE RULER TO THE RIGHT TO MEASURE YOUR BOLTS AND SCREWS. PICTURE VIEWS SHOWN
 ABOVE ARE 1:1 SCALE AND CAN BE USED TO MATCH BOLT AND SCREW SIZES.

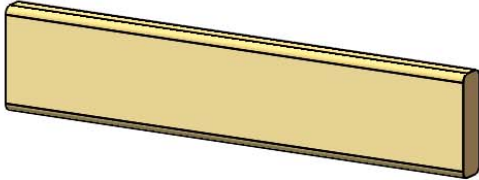
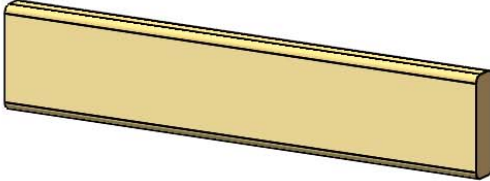
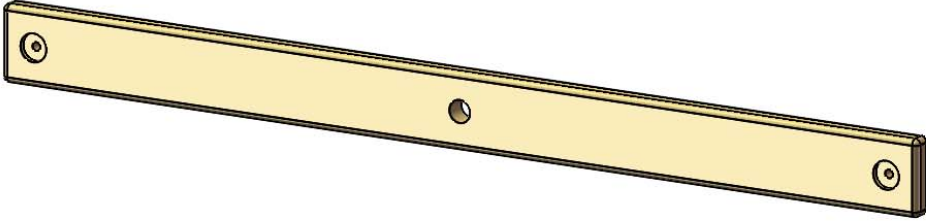
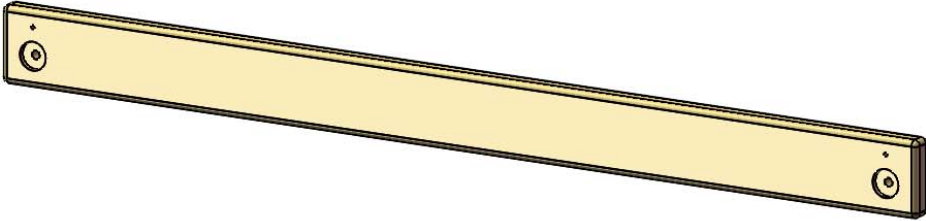
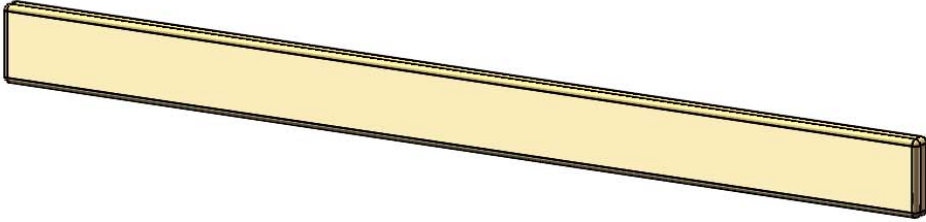
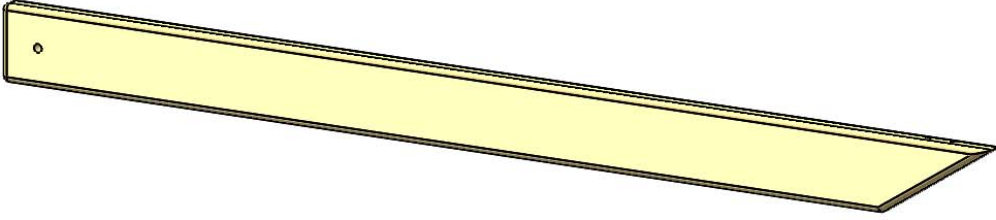
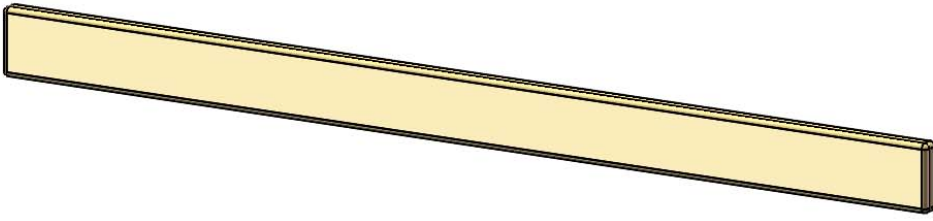
1851DT	PICTURE	DESCRIPTION	QTY.
		WAVE SLIDE 03-0016	2
		SWING W/CHAINS	2
		TRAPEZE BAR W/CHAINS	1
		SWING BEAM PLATE 11-5025 2411	1
		SWING BEAM ANGLED PLATE RIGHT 11-5019 2447	1
		SWING BEAM ANGLED PLATE LEFT 11-5020 2448	1
		SWING BEAM 90° PLATE 11-5021 2449	1

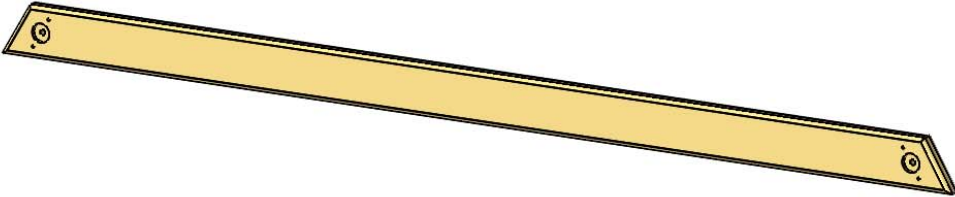
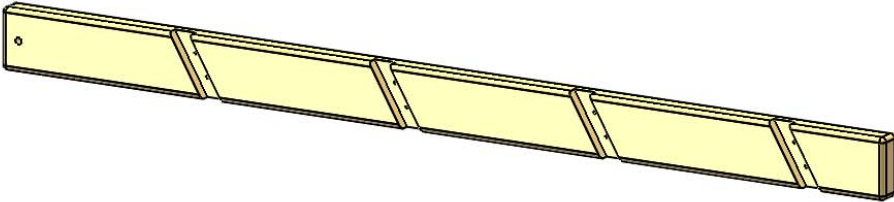
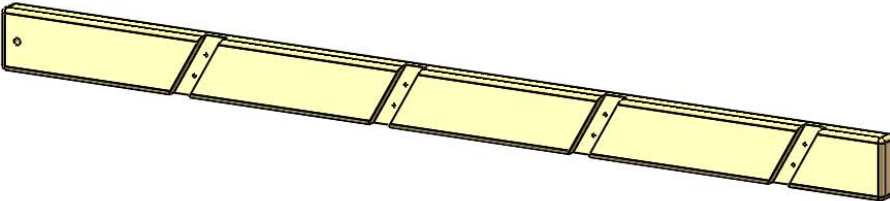
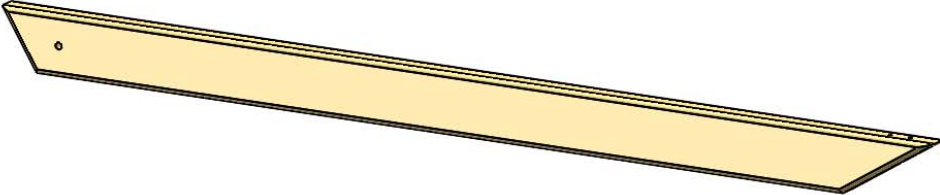
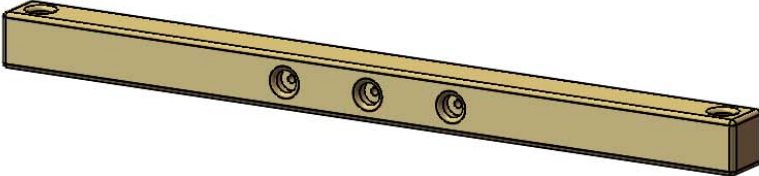
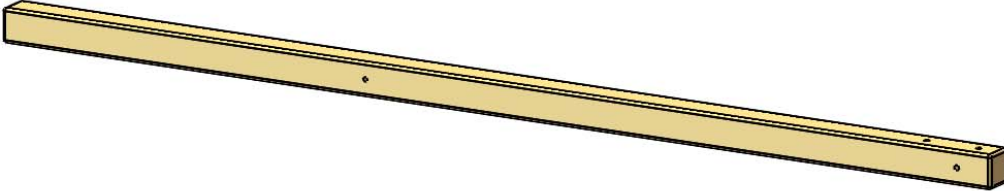
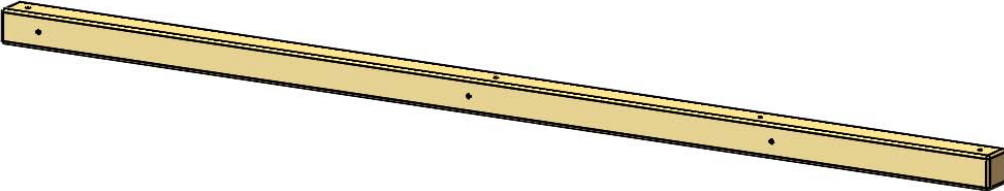
PICTURE	DESCRIPTION	QTY.
	<p>ROCK WALL ROCKS (COLOR & SIZE MAY VARY)</p> <p>07-0038-G/Y WS4545</p>	<p>8 rocks</p>
<p>HARDWARE BOXES: 1851, 1852, 1856</p> <p>(NOT SHOWN)</p>	<p>HARDWARE BOXES 1851 11-0104 1852 11-0105 1856 11-0108</p> <p>INSTRUCTIONS</p>	<p>1EA</p>
	<p>IRON DUCTILE SWING HANGER</p> <p>11-4024</p>	<p>6</p>
	<p>90° BRACKET</p> <p>11-5013</p>	<p>2</p>
	<p>10' ROPE</p> <p>10-1007</p>	<p>1</p>
	<p>TARP 44" X 113"</p> <p>05-0013</p>	<p>1</p>
	<p>FLAG KIT G/Y (PAIR)</p> <p>09-1014</p>	<p>1PR</p>

PICTURE	DESCRIPTION	QTY.
	GROUND STAKE (2 IN A BAG) 07-0016-P	2PR
<p>NOTE: ACTUAL PRODUCT MAY VARY</p> 	TELESCOPE W/COMPASS 07-0037-G WS 4610	1
<p>NOTE: ACTUAL PRODUCT MAY VARY</p> 	STEERING WHEEL 07-0004	1
	SAFETY HANDLE (PAIR) 07-0005	1PR
<p>(NOT SHOWN)</p>	LOGO PLATE	1
	SAFETY WARNING PLATE 11-5023 SA 4294	1
		23

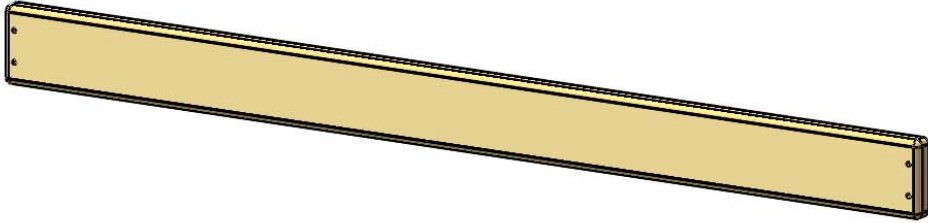
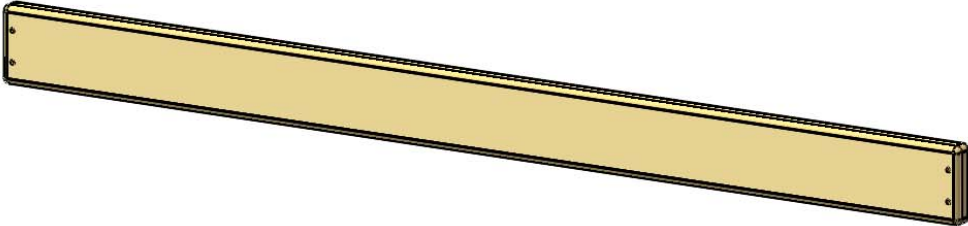
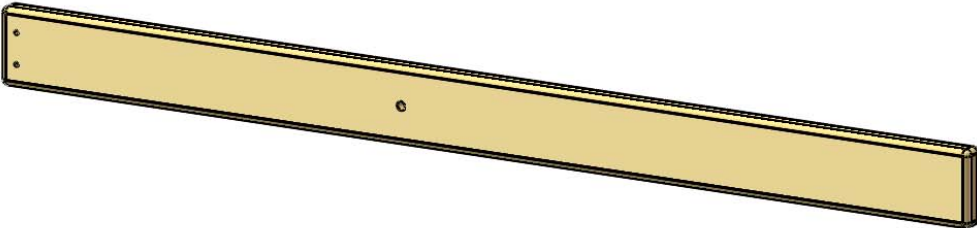
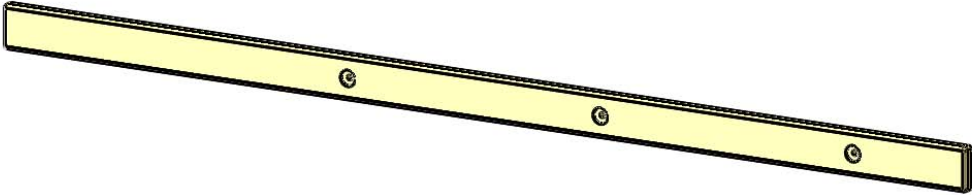
1851	PICTURE	STAMPED ID & DESCRIPTION	QTY.
		1851A LADDER BACK 5/8" X 3-3/8" X 18-1/2"	1
		1851B PANEL SLAT 3/4" X 2-5/8" X 24-1/2"	7
		1851D DECK SPACER 3/4" X 3" X 39-1/2"	2
		1851E BOTTOM ROCK WALL BOARD 3/4" X 5-3/8" X 44"	1
		1851F PANEL SUPPORT 3/4" X 3-3/8" X 44"	3
		1851G ROCK WALL BOARD 3/4" X 5-3/8" X 44"	8
		1851H ROCK WALL SPACER BOARD 3/4" X 5-3/8" X 44"	1

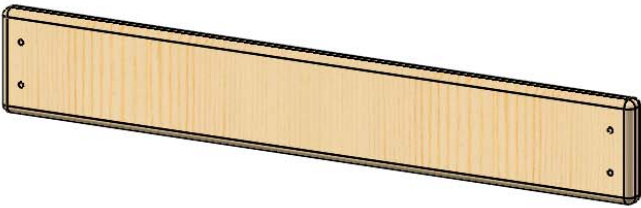
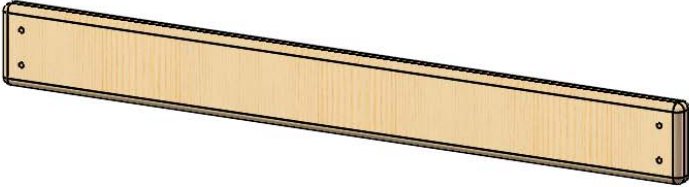
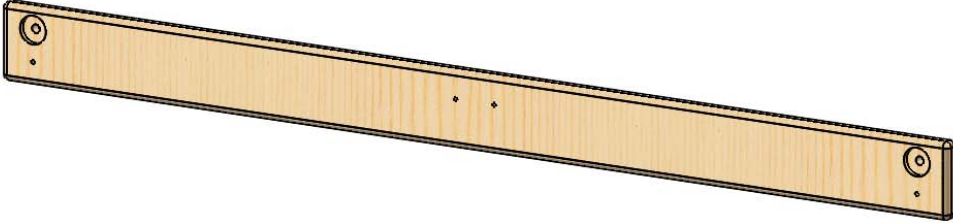
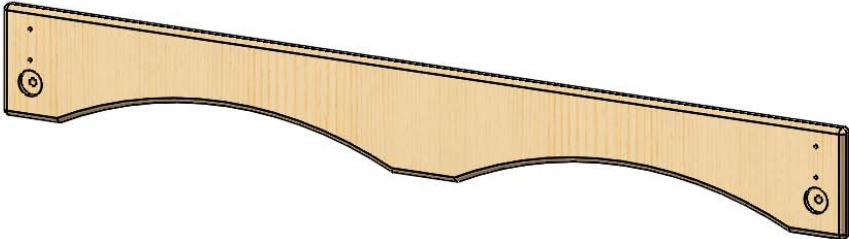
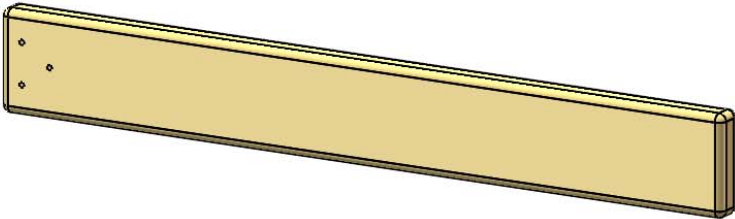
PICTURE	STAMPED ID & DESCRIPTION	QTY.
	<p>1851I PANEL SUPPORT 3/4" X 3-3/8" X 45-1/2"</p>	<p>1</p>
	<p>1851J DECK BOARD 3/4" X 5-3/8" X 45-1/2"</p>	<p>7</p>
	<p>1851K END SANDBOX BOARD 3/4" X 5-3/8" X 44"</p>	<p>1</p>
	<p>1851L ARCH BOARD 3/4" X 5-3/8" X 45-1/2"</p>	<p>1</p>
	<p>1851M SIDE SANDBOX BOARD L/H 3/4" X 5-3/8" X 73"</p>	<p>1</p>
	<p>1851N SIDE SANDBOX BOARD R/H 3/4" X 5-3/8" X 73"</p>	<p>1</p>
	<p>1851O END SANDBOX BOARD 3/4" X 5-3/8" X 95"</p>	<p>1</p>

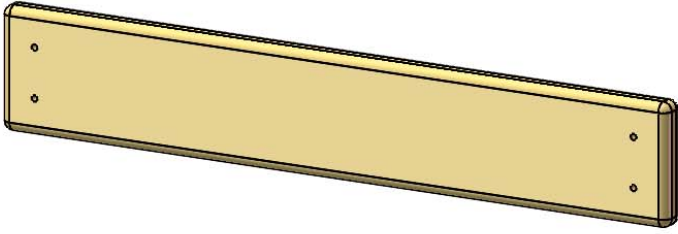

PICTURE	STAMPED ID & DESCRIPTION	QTY.
	<p>1851P SLIDE BLOCK 1" X 3-3/8" X 16-1/2"</p>	2
	<p>1851Q LADDER STEP 1" X 3-3/8" X 17"</p>	4
	<p>1851S RW SIDE TOP PANEL BOARD 1" X 3-3/8" X 44"</p>	1
	<p>1851T DECK SUPPORT 1" X 3-3/8" X 44"</p>	2
	<p>1851V STRINGER 1" X 3-3/8" X 44"</p>	1
	<p>1851Y FORT SIDE SUPPORT 1" X 3-3/8" X 47-1/2"</p>	2
	<p>1851Z ROCK WALL STRINGER 1" X 3-3/8" X 50"</p>	1

PICTURE	STAMPED ID & DESCRIPTION	QTY.
	<p>1851AA CROSS MEMBER 1" X 3-3/8" X 68-1/2"</p>	<p>1</p>
	<p>1851AC LADDER SIDE L/H 1-3/8" X 3-3/8" X 53"</p>	<p>1</p>
	<p>1851AD LADDER SIDE R/H 1-3/8" X 3-3/8" X 53"</p>	<p>1</p>
	<p>1851AE ROCK WALL SIDE SUPPORT 1-3/8" X 3-3/8" X 56"</p>	<p>2</p>
	<p>1851AF SWING BEAM MOUNT 3" X 3" X 44"</p>	<p>1</p>
	<p>1851AG SWING LEG 3" X 3" X 95"</p>	<p>2</p>
	<p>1851AH CORNER POST 1 3" X 3" X 95"</p>	<p>2</p>

PICTURE	STAMPED ID & DESCRIPTION	QTY.
	<p>1851AI CORNER POST 2 3" X 3" X 95"</p>	<p>2</p>
	<p>1851AJ SWING BEAM 3-3/8" X 5-3/8" X 95"</p>	<p>1</p>
		<p>28</p>

1852	PICTURE	STAMPED ID & DESCRIPTION	QTY.
		<p>1852A CENTER TARP BOARD 1" X 3-3/8" X 44"</p>	1
		<p>1852B END TARP BOARD 1" X 3-3/8" X 46"</p>	2
		<p>1852C CENTER POST TOP 1" X 3-3/8" X 46-1/2"</p>	2
		<p>1852D TARP SUPPORT BOARD 1" X 3-3/8" X 81"</p>	2
			29

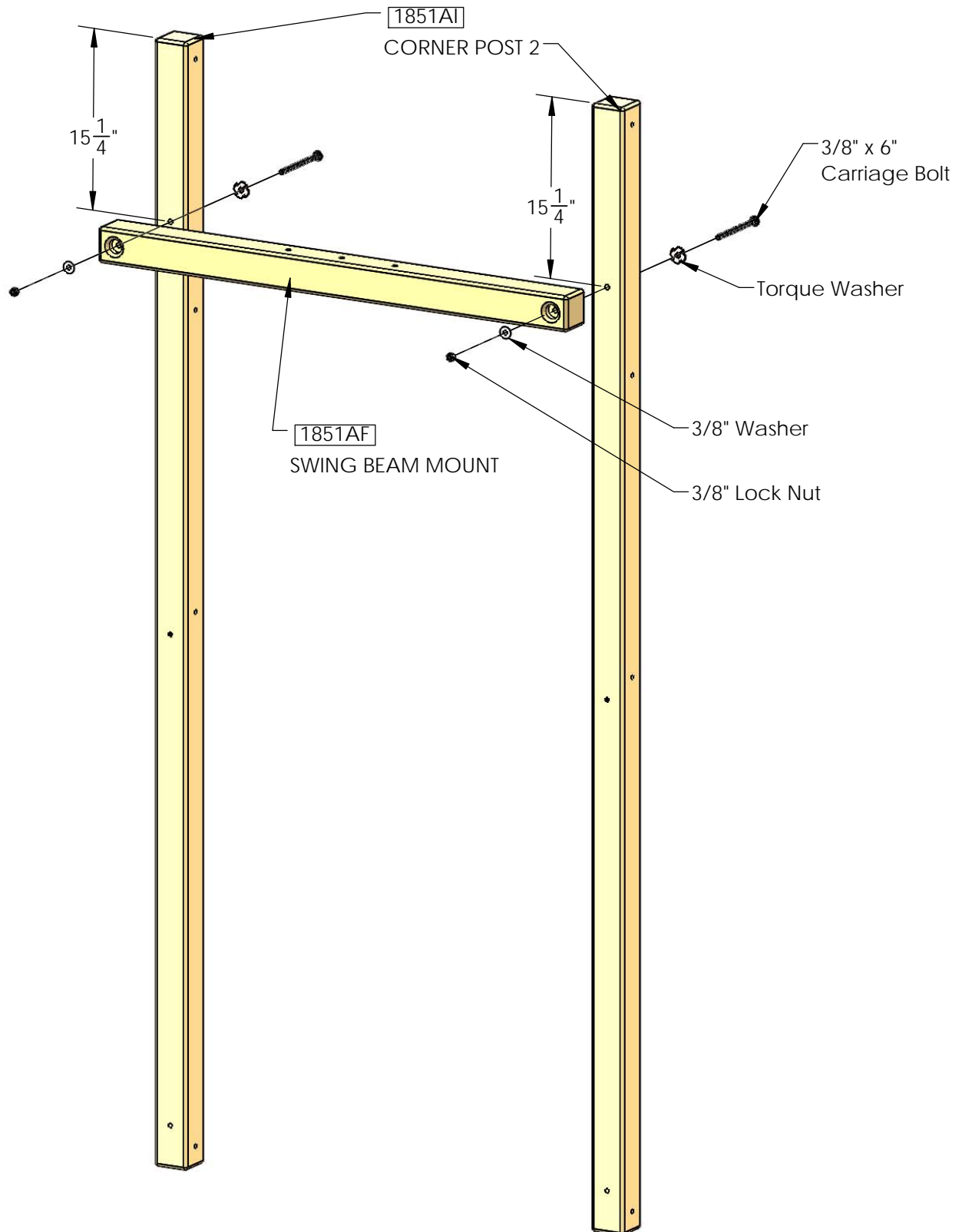
1856	PICTURE	DESCRIPTION	QTY.
		1856A PANEL SUPPORT 3/4" X 3-3/8" X 22-3/4"	1
		1856B PANEL SLAT 3/4" X 2-5/8" X 24-1/2"	3
		1856C PANEL SUPPORT 3/4" X 3-3/8" X 45-1/2"	1
		1856D ARCH BOARD 3/4" X 5-3/8" X 45-1/2"	1
		1856E CENTER POST BOTTOM 1" X 3-3/8" X 26"	1
			30

1860	PICTURE	DESCRIPTION	QTY.
		<p>1860A WINDOW PANEL BOARD 3/4" X 3-3/8" X 20"</p>	4
		<p>PLASTIC WINDOW 07-0029-G</p>	4
	<p>THE HARDWARE USED TO FASTEN THE 1860A BOARDS AND THE WINDOWS IS INCLUDED IN THE 1851 HARDWARE KIT.</p>		
			31

STEP 1: SWING BEAM MOUNT

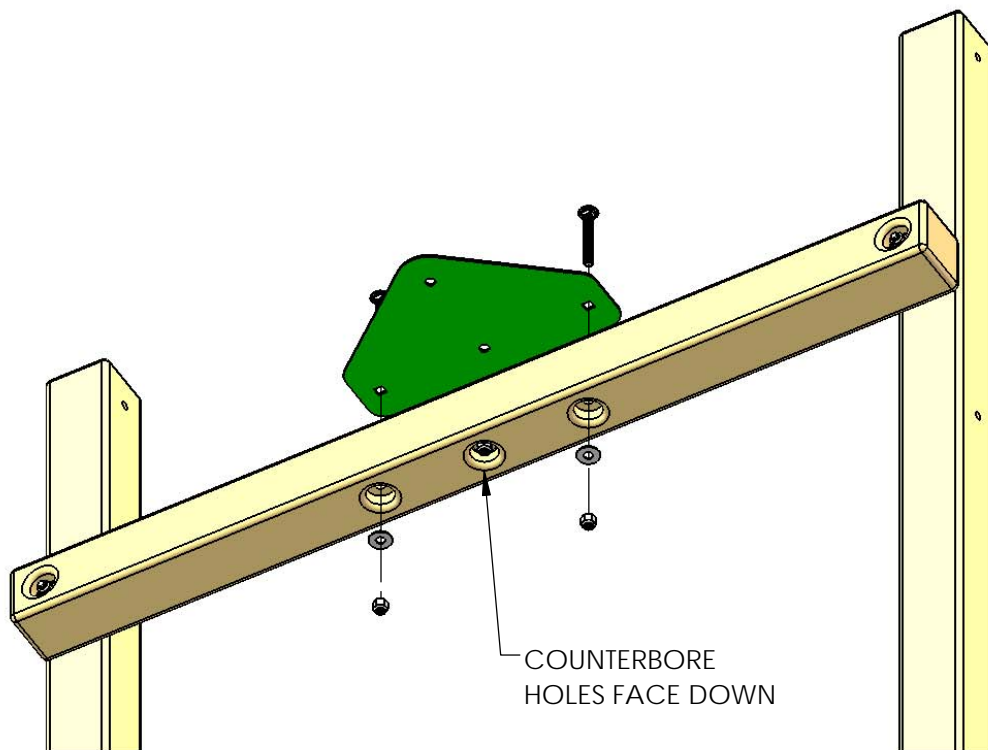
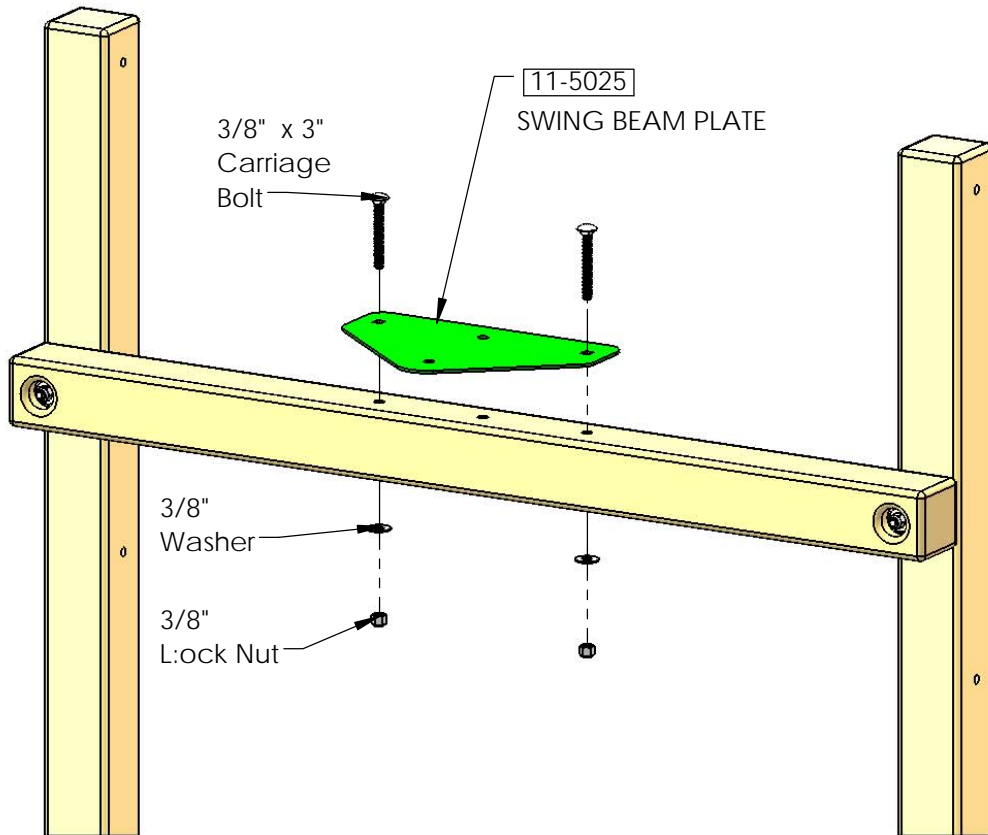
1: PLACE THE TORQUE WASHERS OVER THE END OF THE CARRIAGE BOLTS AS SHOWN WITH THE TEETH FACING AWAY FROM THE HEAD OF THE BOLT. HAMMER THE HEAD OF THE BOLT TO SET THE TEETH INTO THE CORNER POSTS.

2: FASTEN THE SWING BEAM MOUNT WITH WASHERS AND LOCK NUTS.



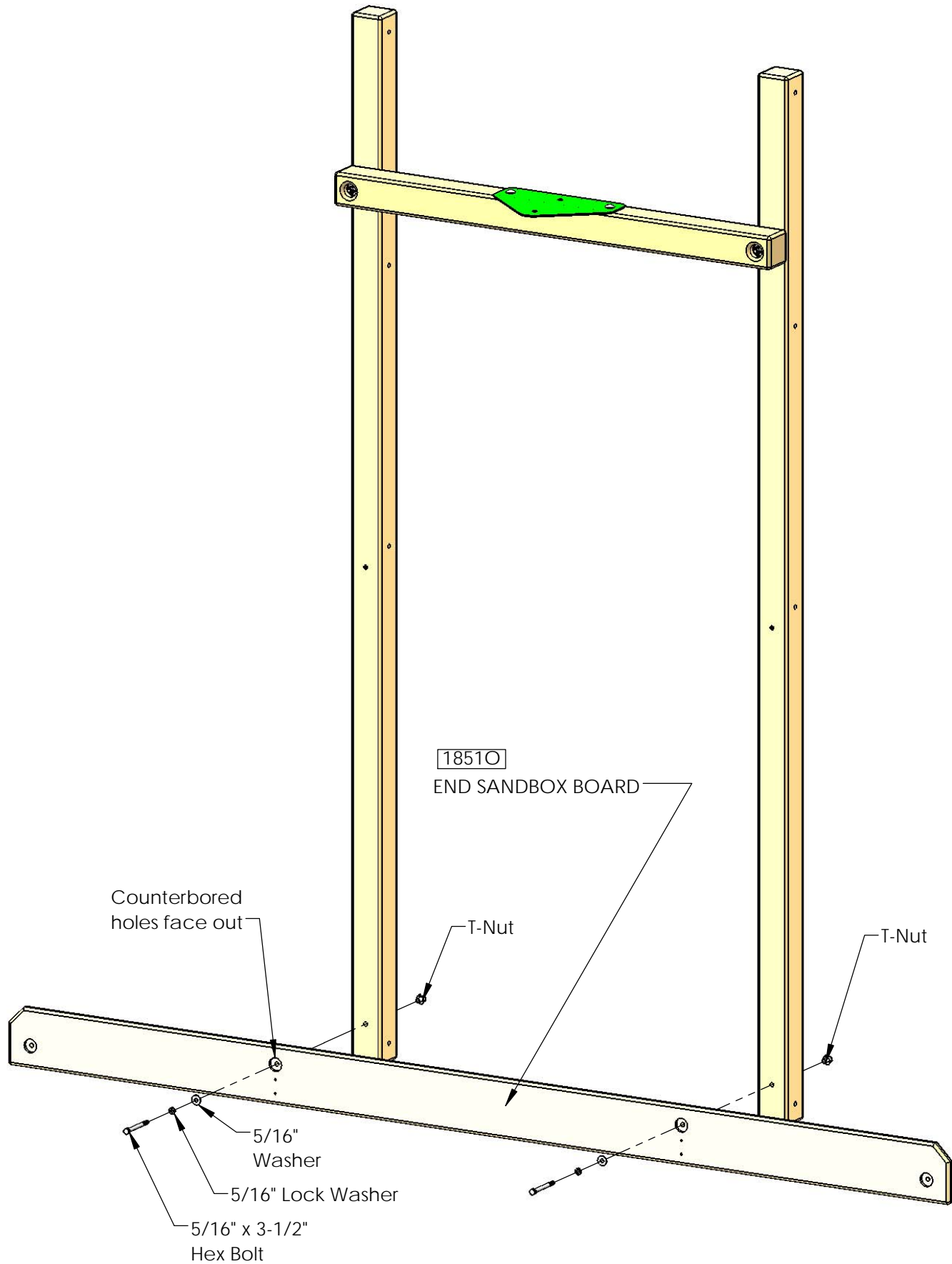
STEP 2: SWING BEAM PLATE

1: INSTALL THE SWING BEAM PLATE WITH THE POINTED END FACING AS SHOWN.



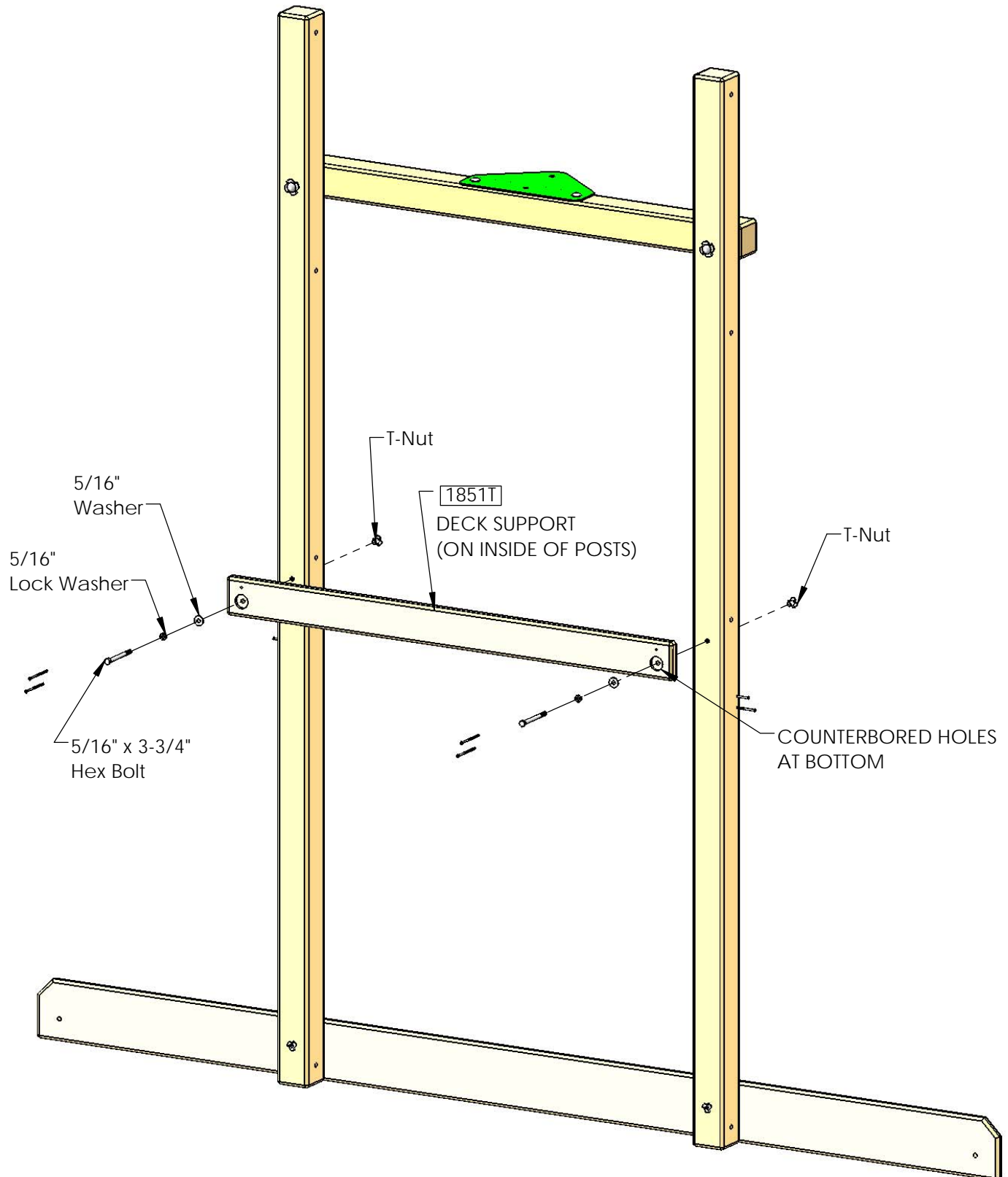
STEP 3: END SANDBOX BOARD

1: INSTALL T-NUTS AND THEN FASTEN THE END SANDBOX BOARD AS SHOWN BELOW. THE COUNTERBORED HOLES FACE OUT.



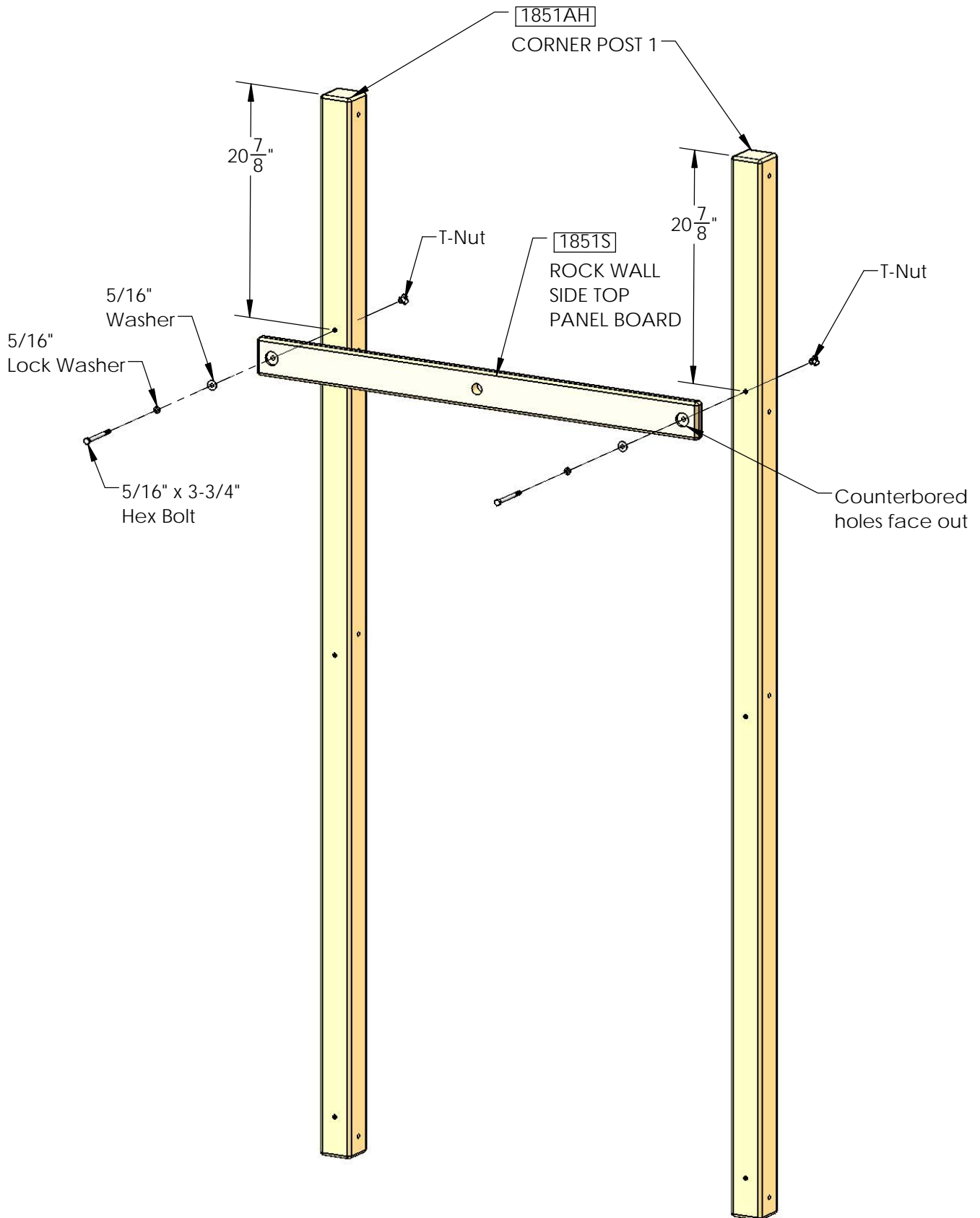
STEP 4: DECK SUPPORT

1: INSTALL T-NUTS AND THEN FASTEN THE DECK SUPPORT AS SHOWN BELOW. THE COUNTERBORED HOLES SHOULD BE ON THE BOTTOM AND SHOULD FACE OUT.



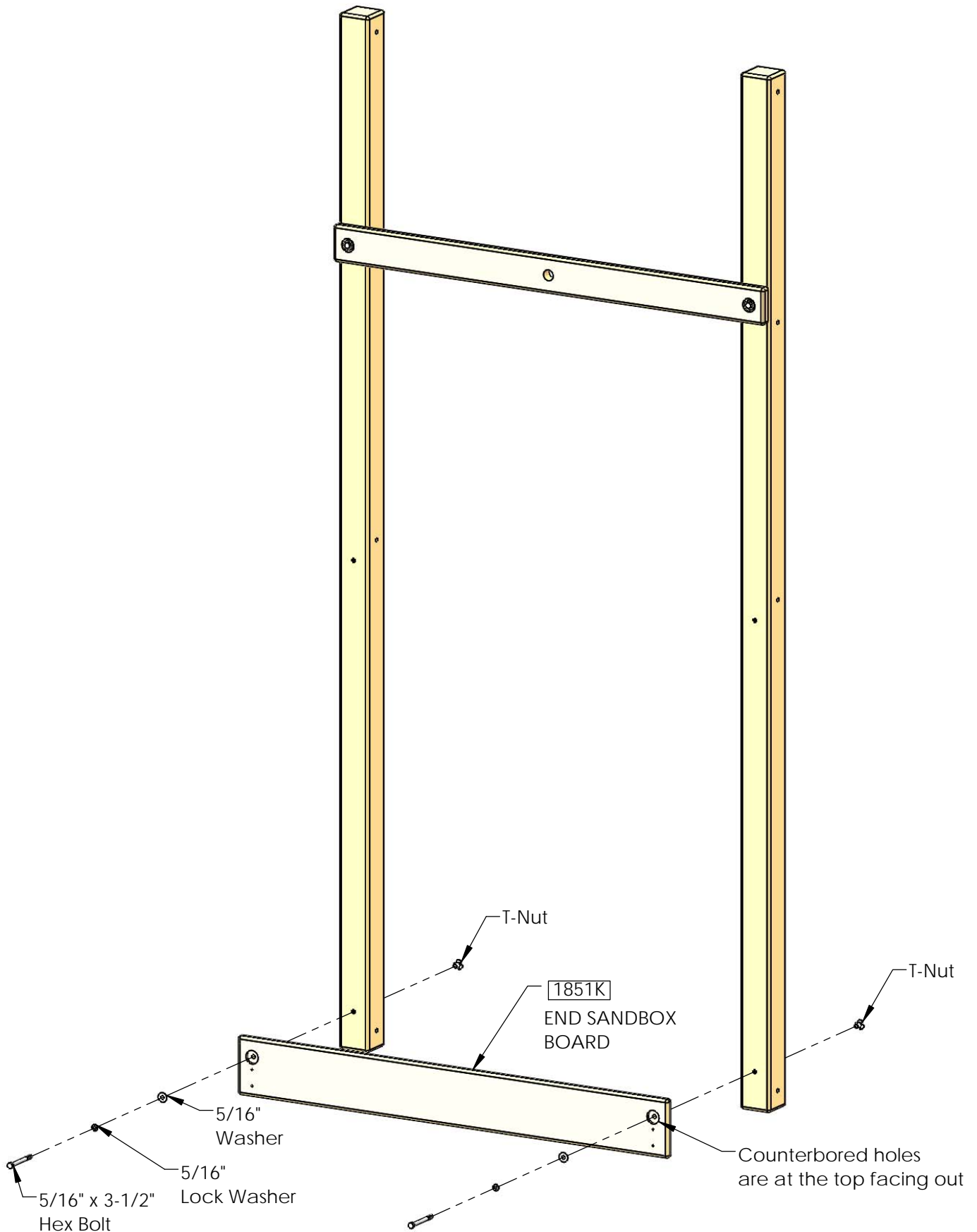
STEP 5: ROCK WALL SIDE TOP PANEL BOARD

1: INSTALL T-NUTS AND THEN FASTEN THE ROCK WALL SIDE TOP PANEL BOARD AS SHOWN BELOW. THE COUNTERBORED HOLES SHOULD FACE OUT.



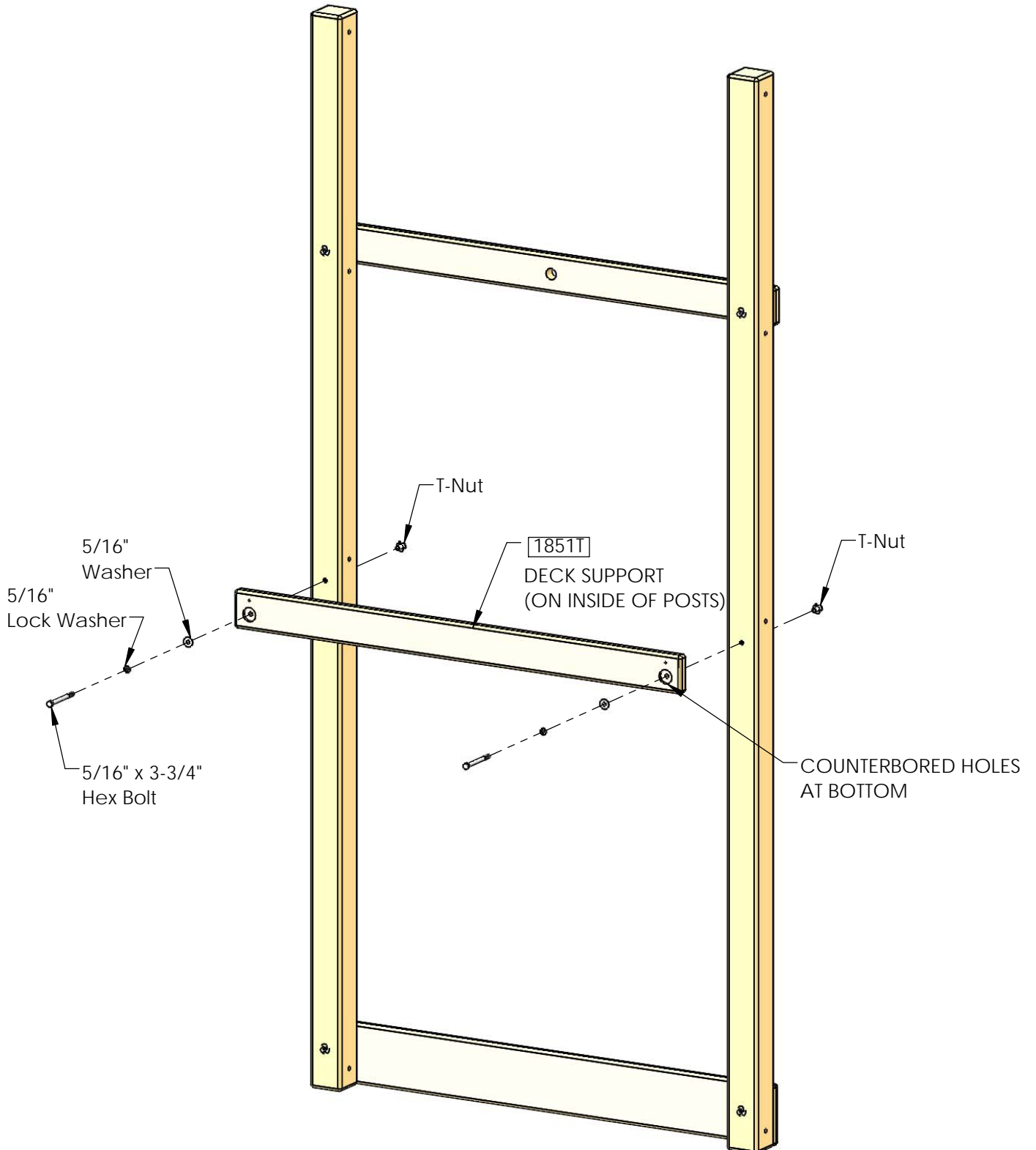
STEP 6: END SANDBOX BOARD

1: INSTALL T-NUTS AND THEN FASTEN THE END SANDBOX BOARD AS SHOWN BELOW. THE COUNTERBORED HOLES SHOULD BE AT THE TOP FACING OUT.



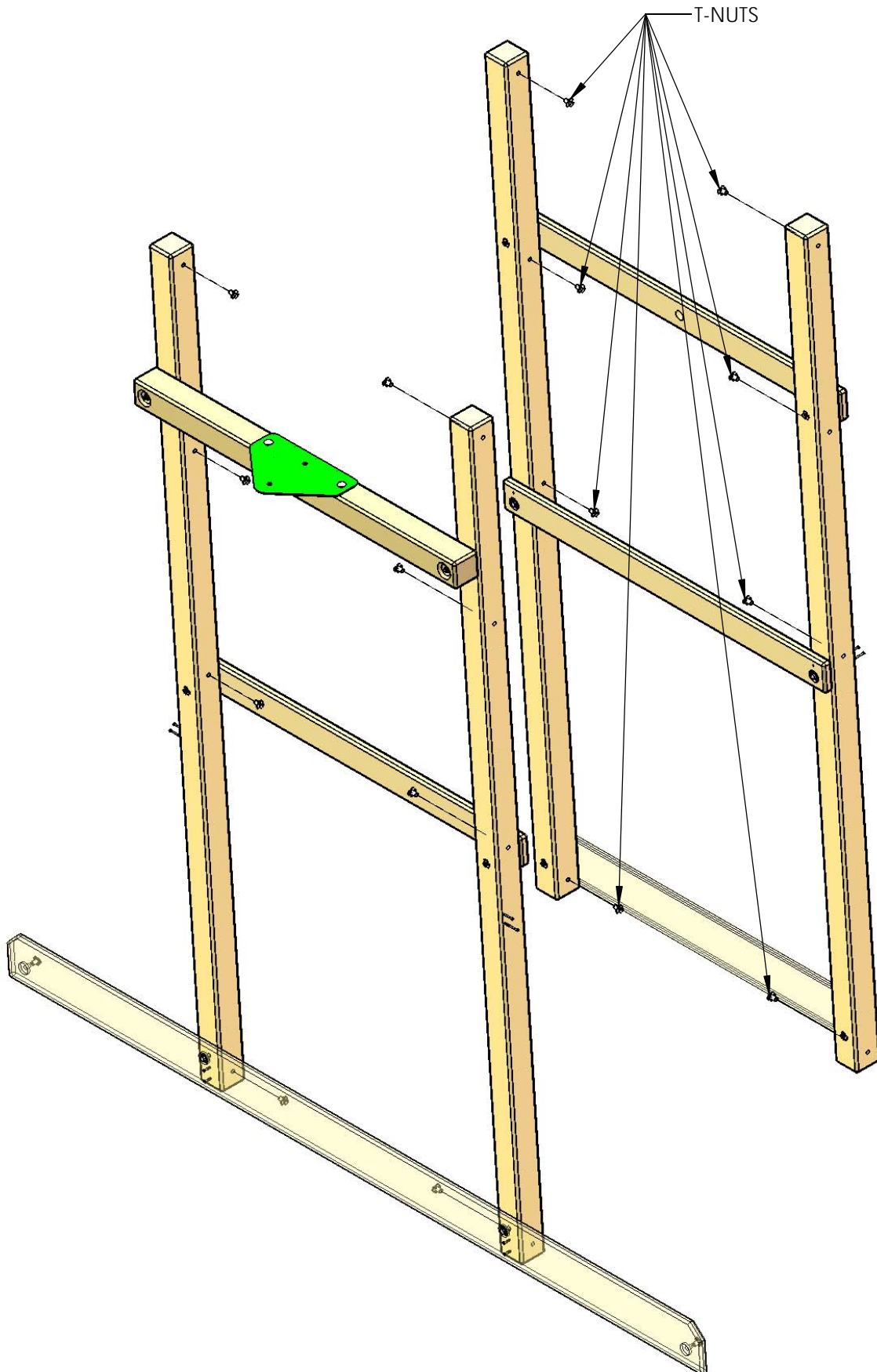
STEP 7: DECK SUPPORT

1: INSTALL T-NUTS AND THEN FASTEN THE DECK SUPPORT AS SHOWN BELOW. THE COUNTERBORED HOLES SHOULD BE ON THE BOTTOM AND SHOULD FACE OUT.



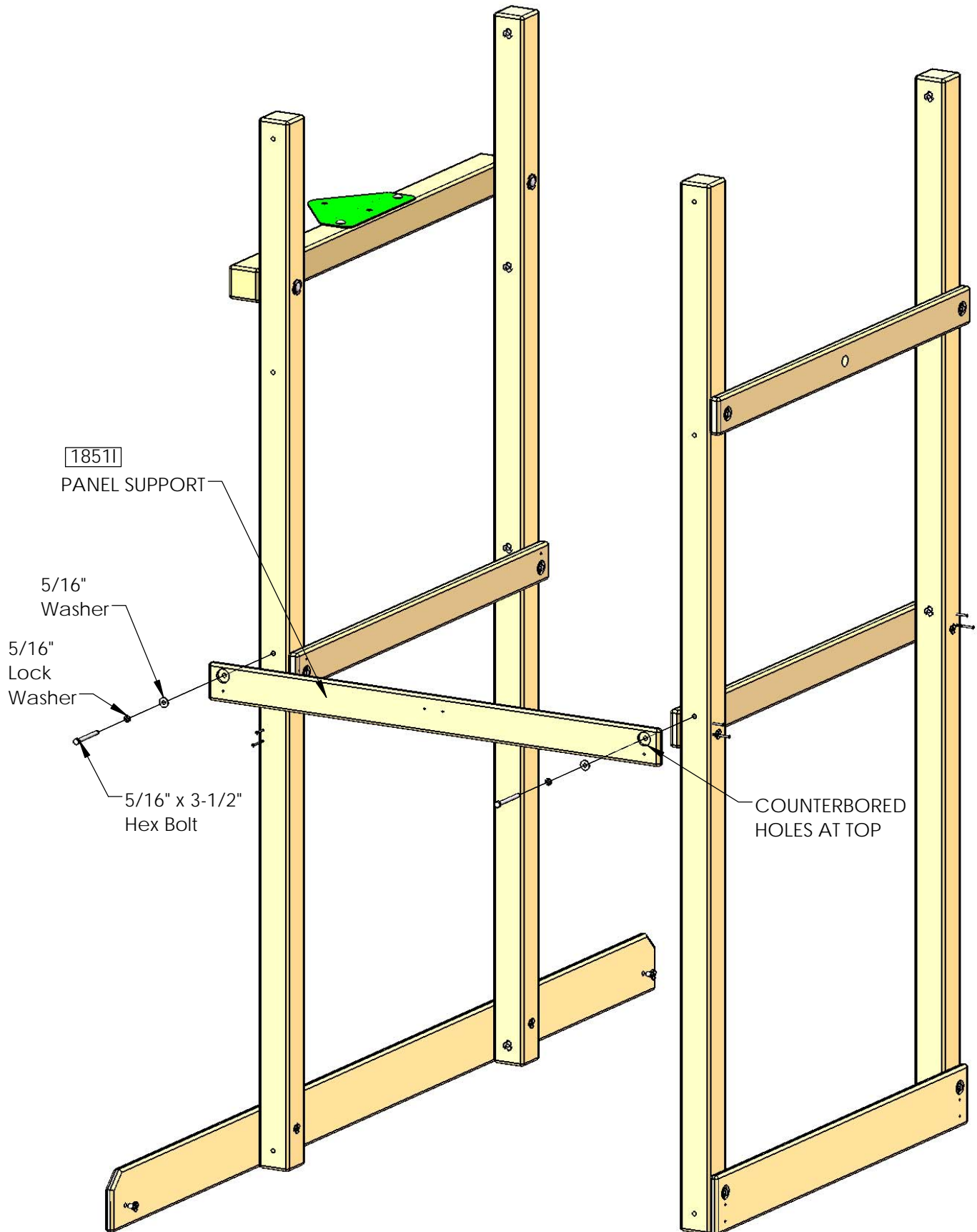
STEP 8: T-NUTS

1: INSTALL T-NUTS AS SHOWN BELOW ON THE INSIDE FACE OF EACH CORNER POST. 16 T-NUTS WILL BE USED.



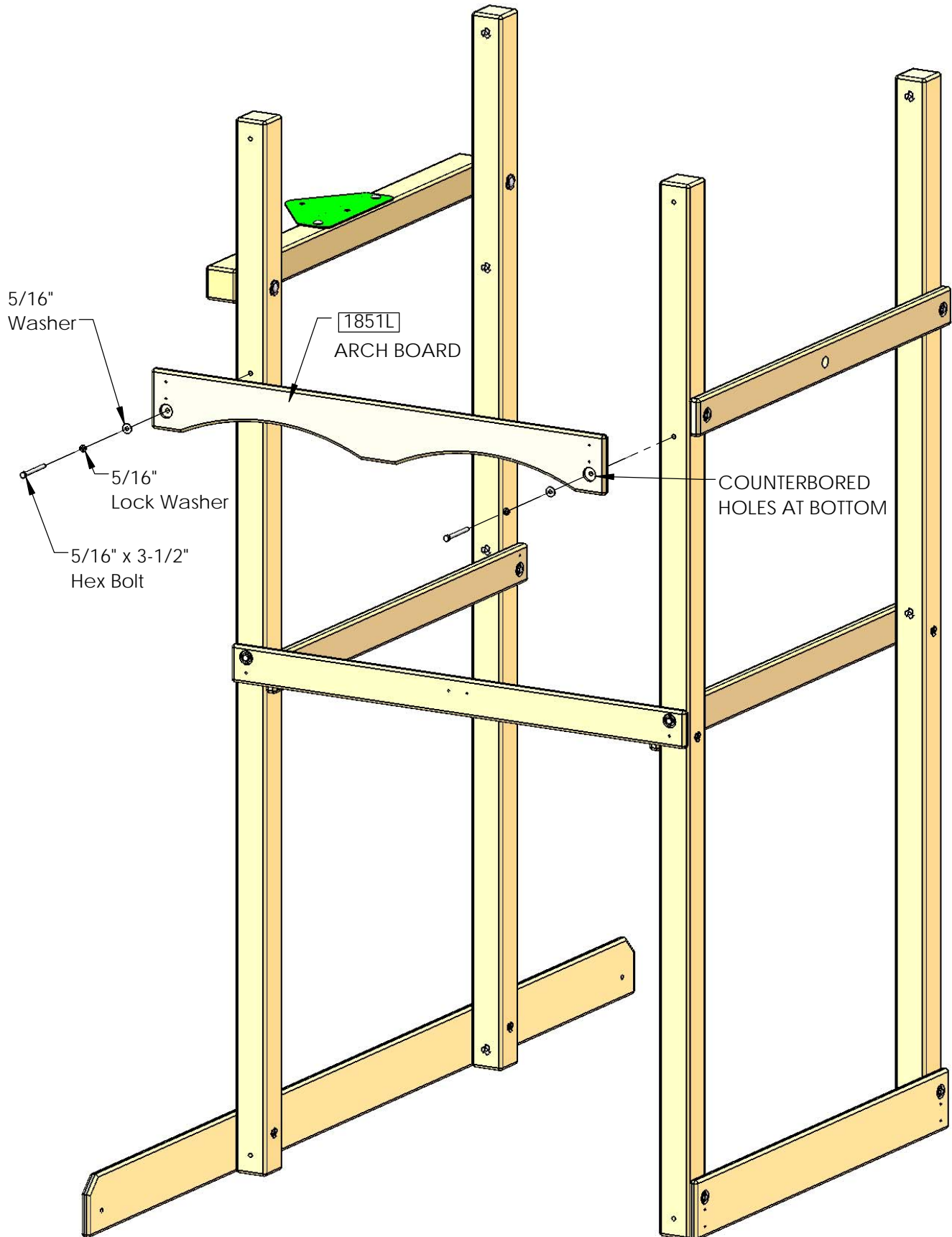
STEP 9: PANEL SUPPORT

1: FASTEN THE PANEL SUPPORT TO THE FRONT AS SHOWN. THE COUNTERBORED HOLES SHOULD BE ON THE TOP AND SHOULD FACE OUT.



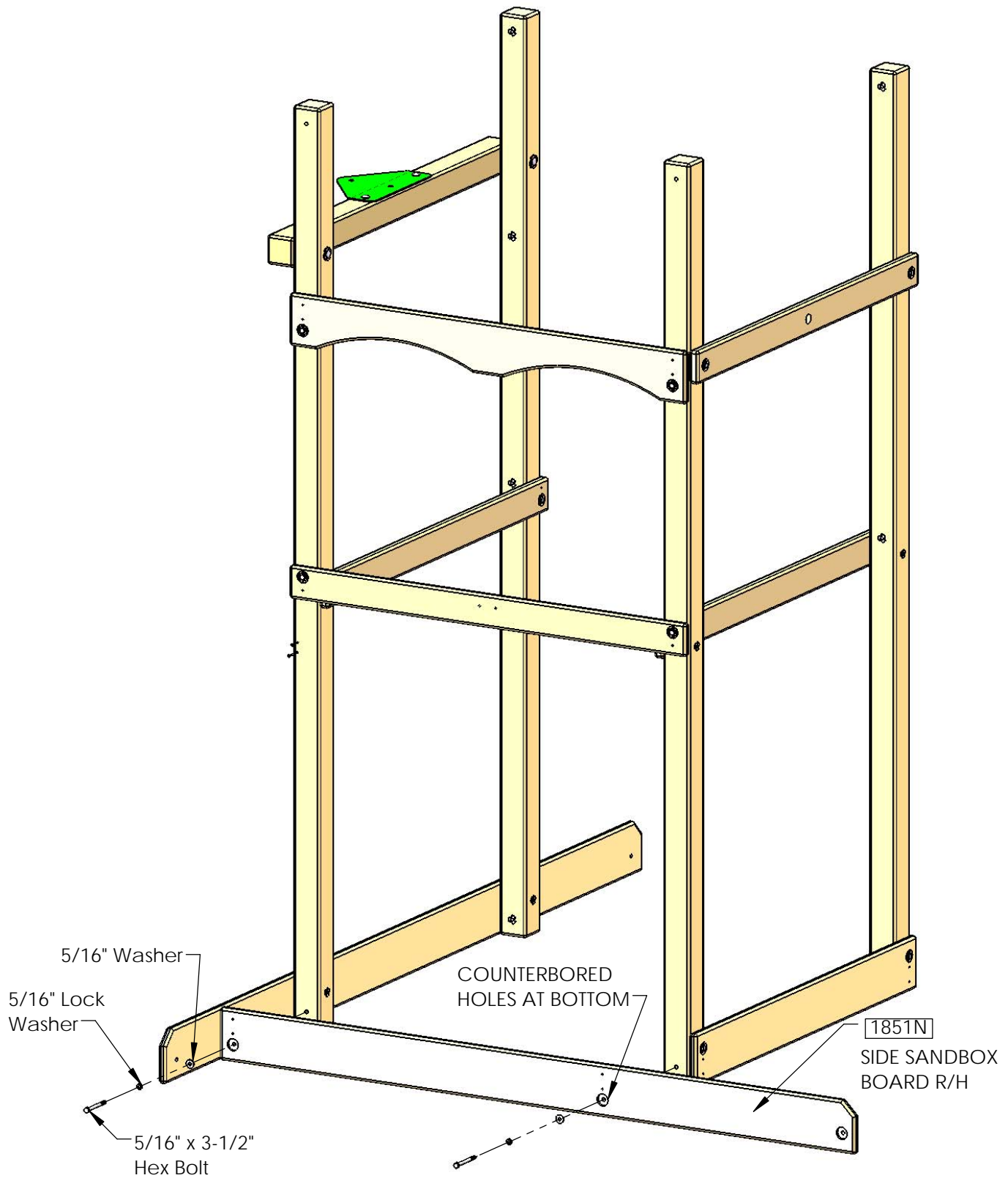
STEP 10: ARCH BOARD

1: FASTEN THE ARCH BOARD TO THE FRONT AS SHOWN. THE COUNTERBORED HOLES SHOULD BE ON THE BOTTOM AND SHOULD FACE OUT.



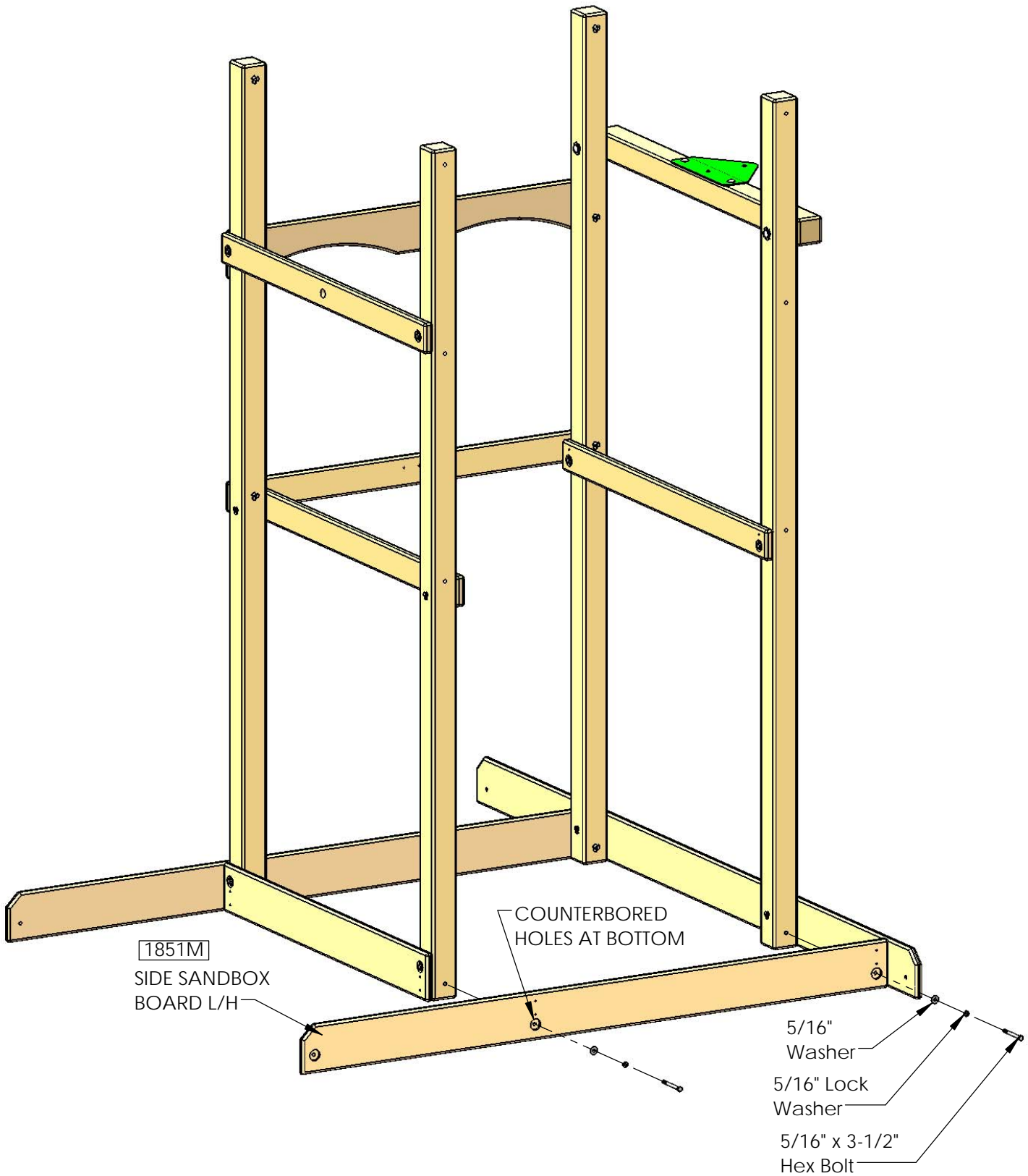
STEP 11: SIDE SANDBOX BOARD R/H

1: FASTEN THE SIDE SANDBOX BOARD R/H TO THE FRONT AS SHOWN. THE COUNTERBORED HOLES SHOULD BE ON THE BOTTOM AND SHOULD FACE OUT.



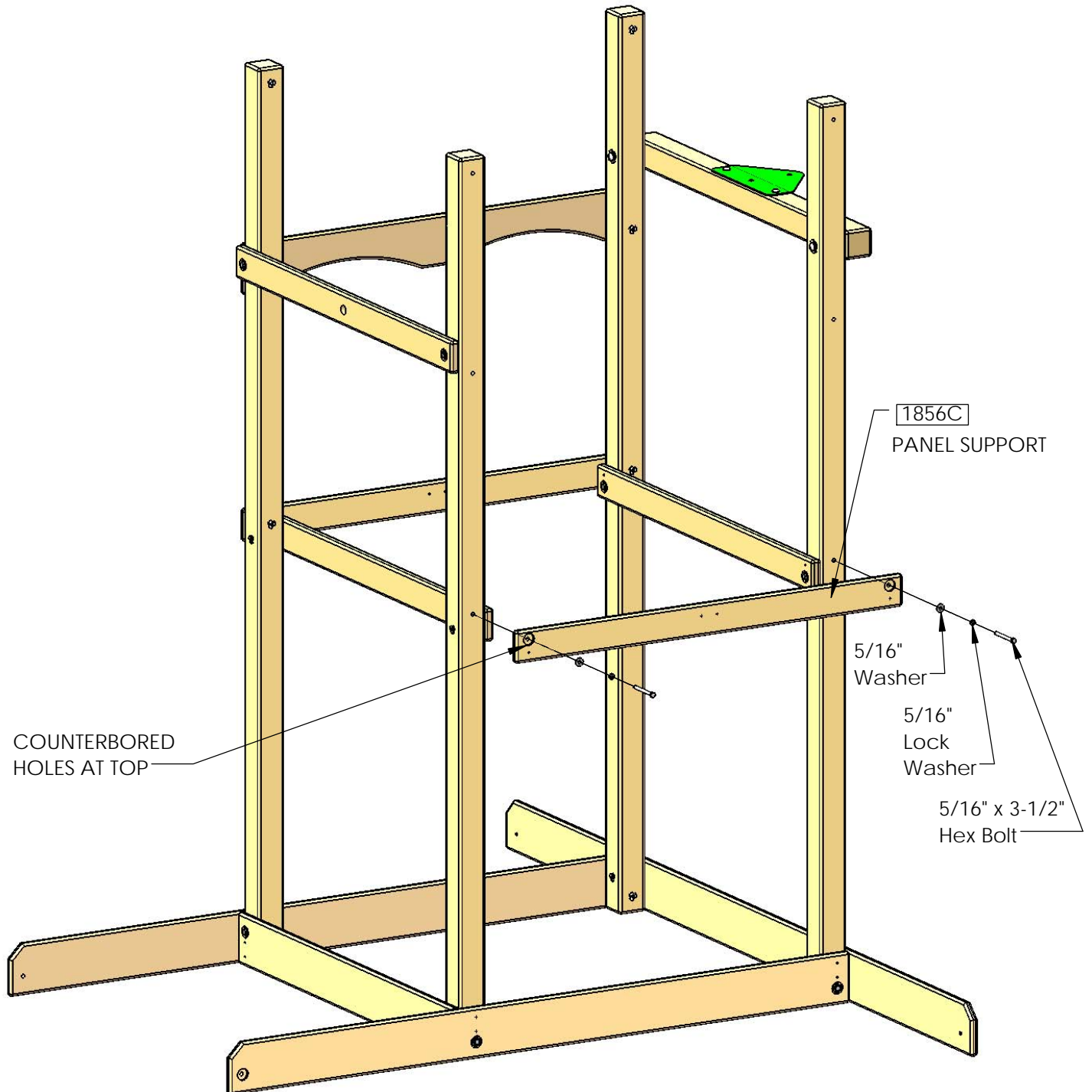
STEP 12: SIDE SANDBOX BOARD L/H

1: FASTEN THE SIDE SANDBOX BOARD L/H TO THE REAR AS SHOWN. THE COUNTERBORED HOLES SHOULD BE ON THE BOTTOM AND SHOULD FACE OUT.



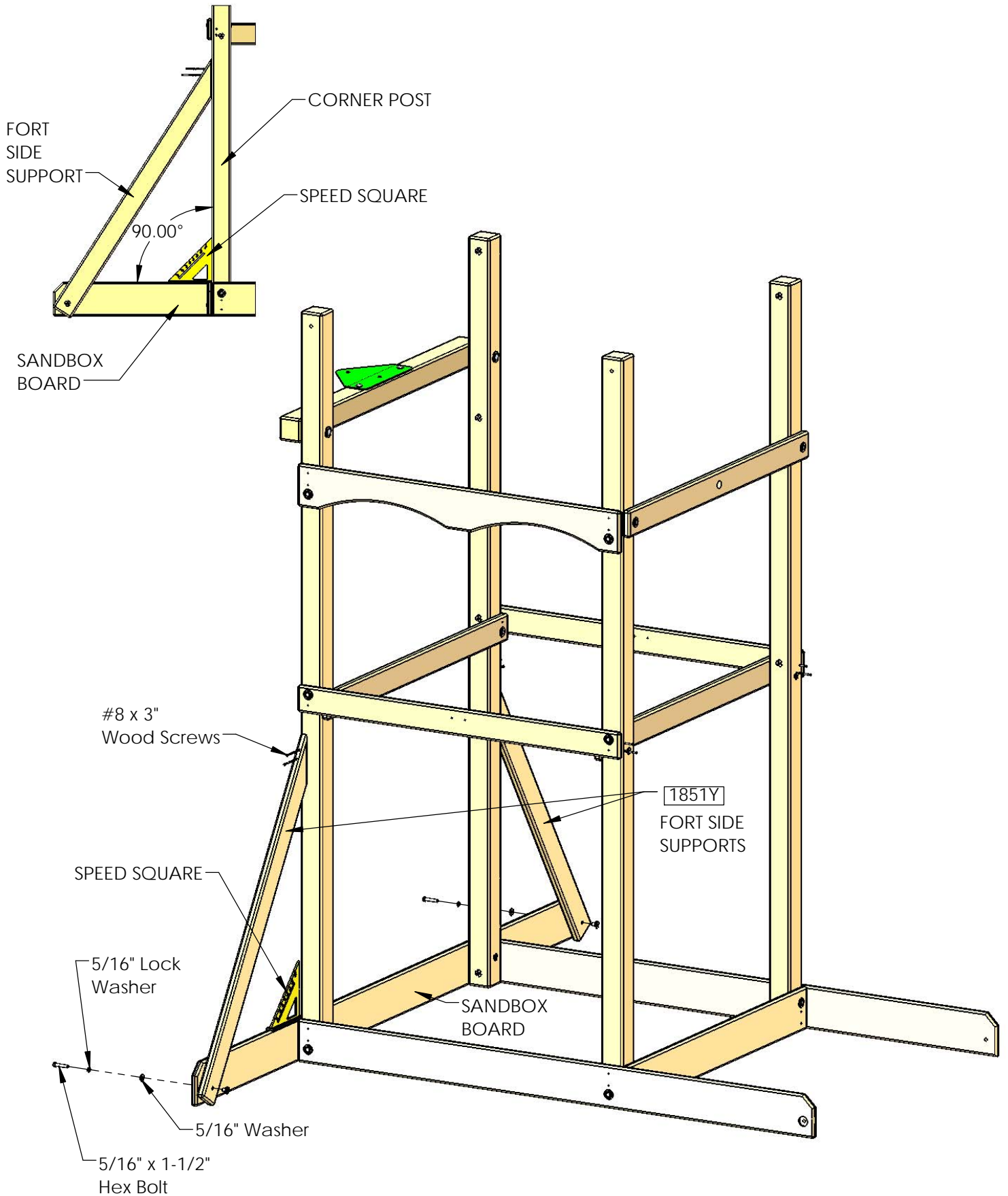
STEP 13: PANEL SUPPORT

1: FASTEN THE PANEL SUPPORT TO THE REAR AS SHOWN. THE COUNTERBORED HOLES SHOULD BE ON THE TOP AND SHOULD FACE OUT.



STEP 14: FORT SIDE SUPPORTS

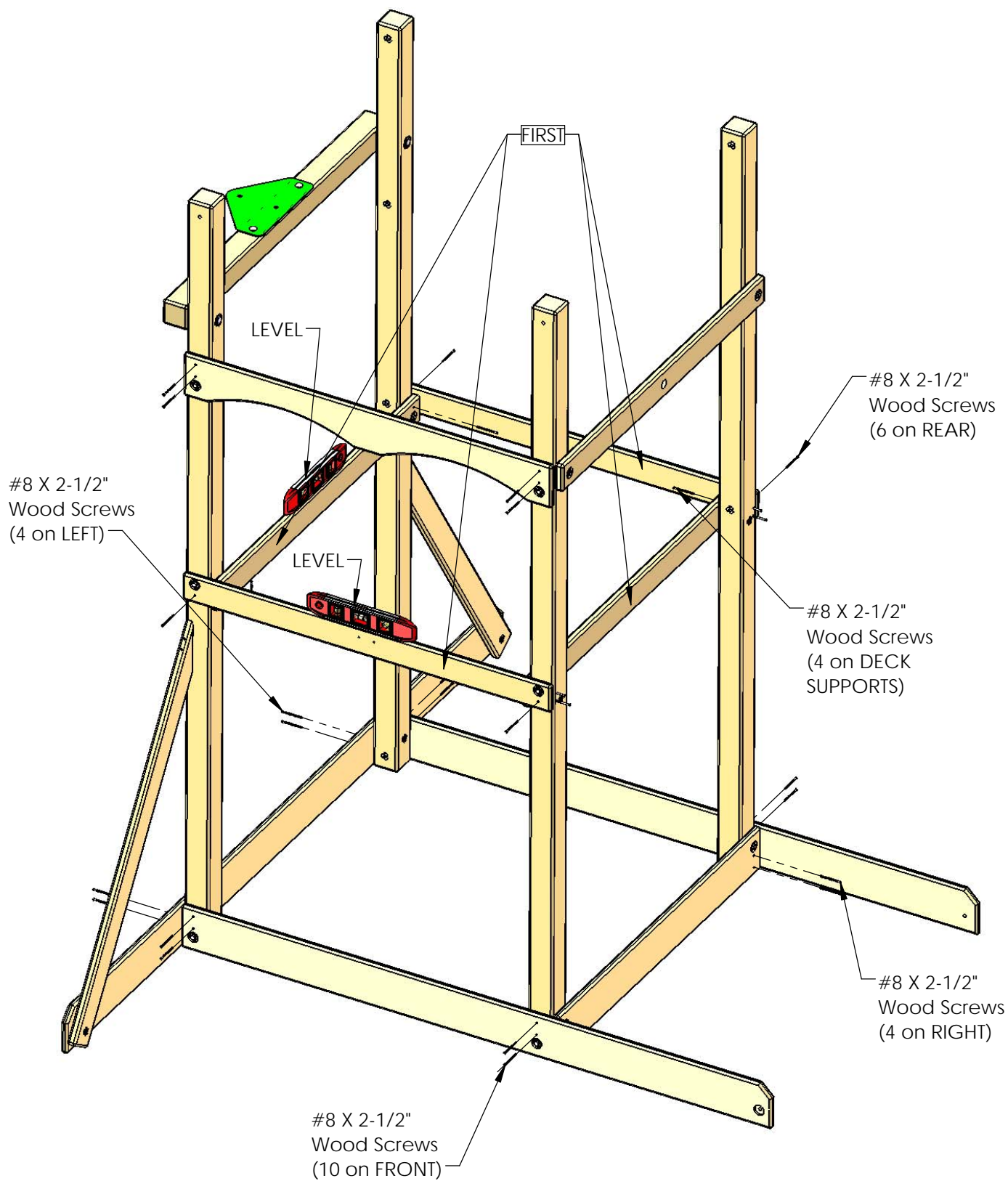
1: INSTALL A T-NUT INTO EACH FORT SIDE SUPPORT AND THEN FASTEN EACH SUPPORT AS SHOWN. USE A SPEED SQUARE TO ENSURE THE SANDBOX BOARD IS SQUARE TO THE CORNER POSTS PRIOR TO ATTACHING THE FORT SIDE SUPPORTS.



STEP 15: LEVELING THE PLAY SET AND ADDING SCREWS

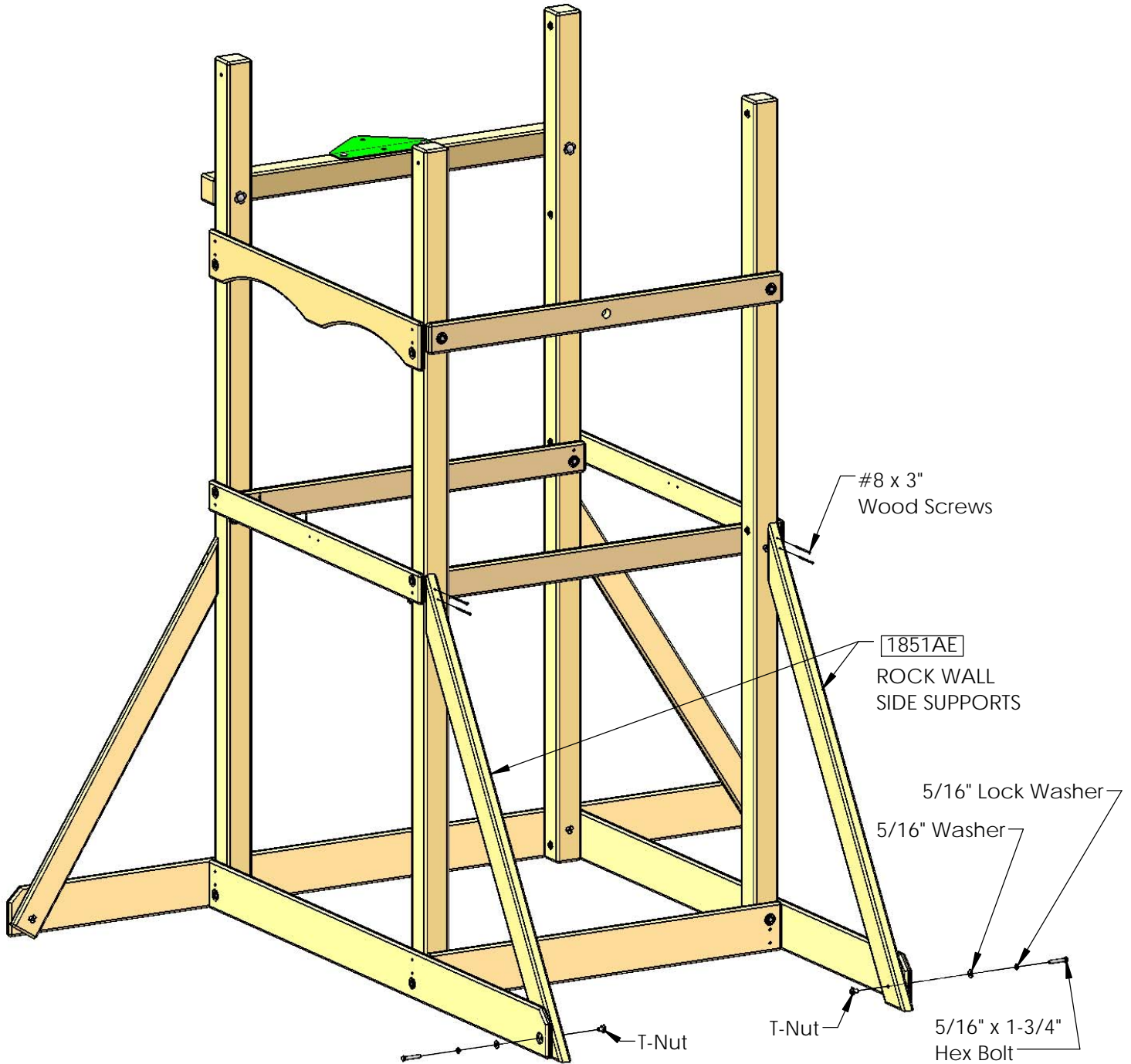
1: LEVEL AND SQUARE THE BOARDS AT THE DECK LEVEL FIRST. THEN INSTALL SCREWS.

2: LEVEL AND SQUARE THE REMAINDER OF THE BOARDS AND THEN INSTALL SCREWS.



STEP 16: ROCK WALL SIDE SUPPORTS

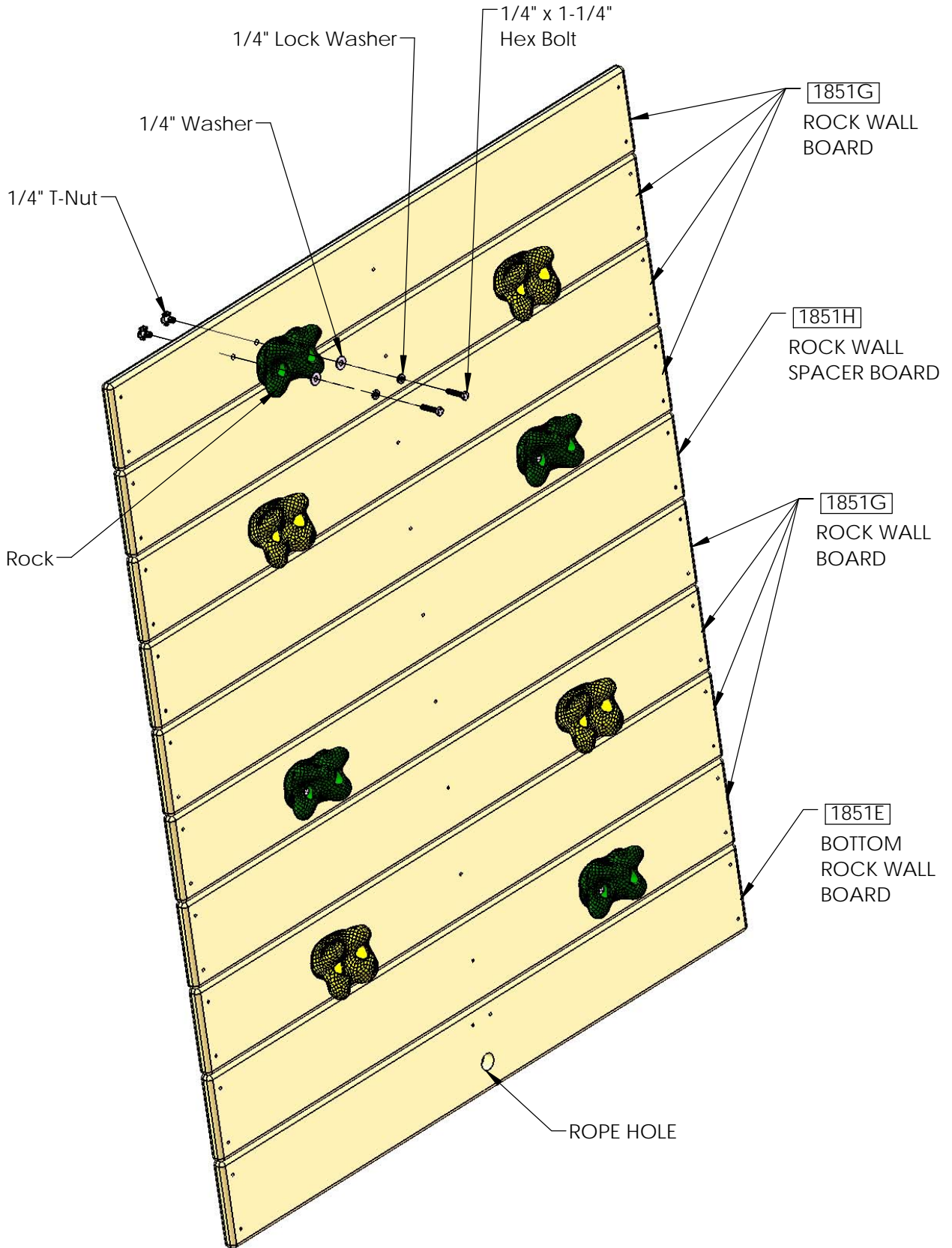
1: INSTALL A T-NUT INTO EACH ROCK WALL SIDE SUPPORT AND THEN FASTEN EACH SUPPORT AS SHOWN.



STEP 17: ROCK WALL ROCKS

1: LAY OUT THE ROCK WALL BOARDS ON THE GROUND IN A PATTERN AS SHOWN.

2: FASTEN EACH ROCK TO THE ROCK WALL BOARD WITH THE FASTENERS INCLUDED IN THE ROCK BAG.



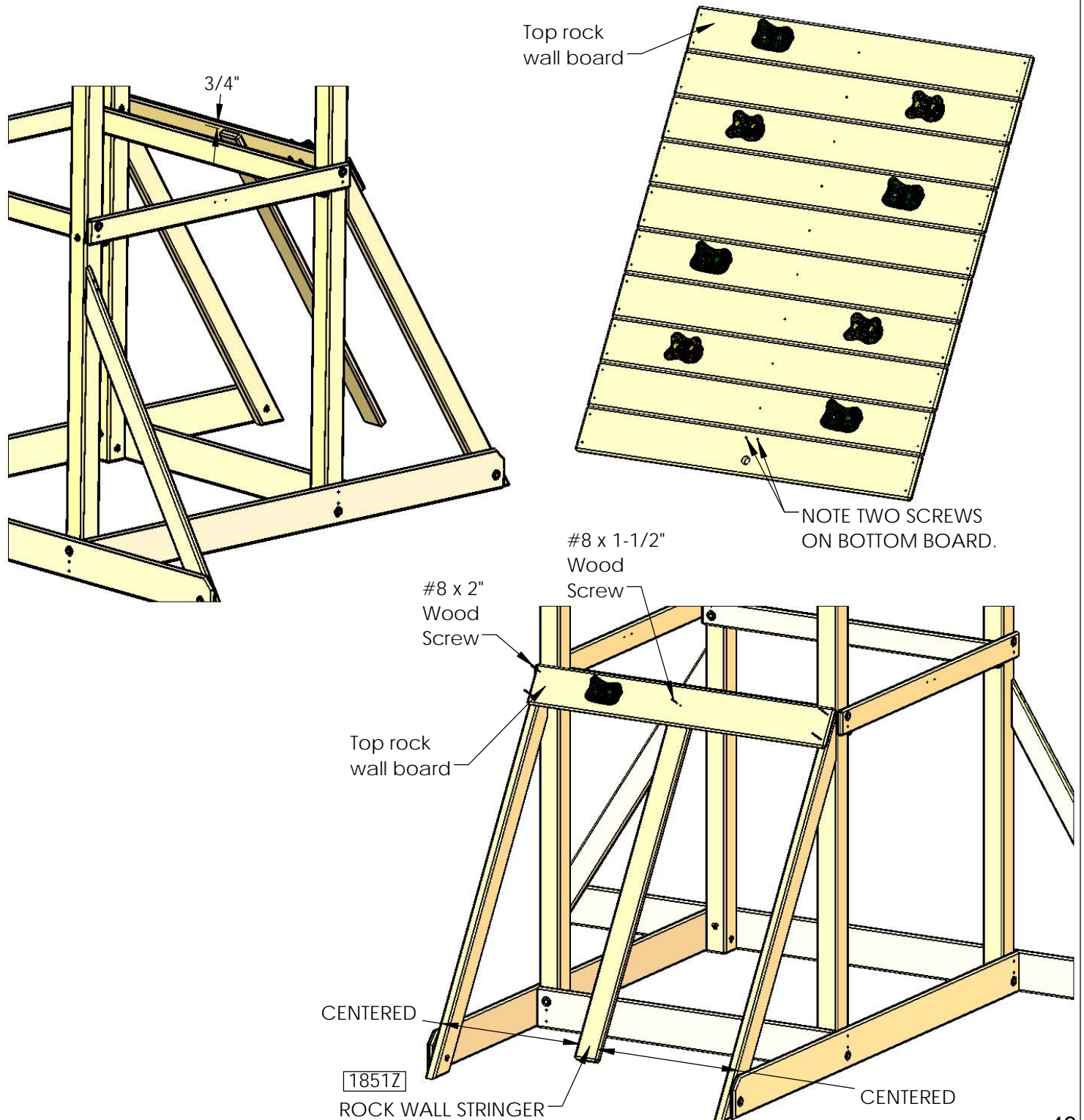
STEP 18: ROCK WALL BOARDS AND STRINGER

1: MEASURE DOWN 3/4" ON THE BACK SIDE OF THE TOP ROCK WALL BOARD AND MAKE A MARK.

2: PLACE THE TOP OF THE ROCK WALL STRINGER ON THE MARK AND FASTEN IT AS SHOWN.

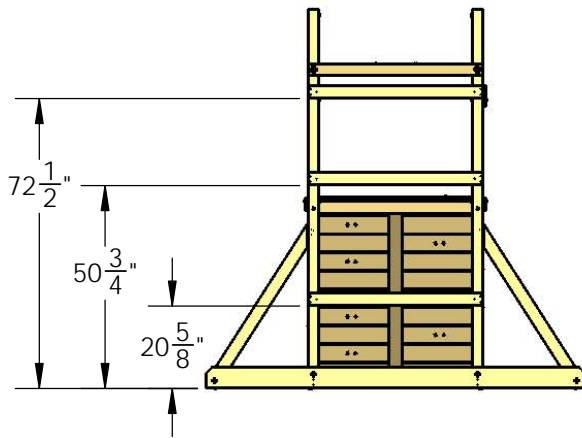
3: PLACE THE TOP ROCK WALL BOARD INTO POSITION FLUSH AGAINST THE CORNER POSTS. SECURE IT TO THE ROCK WALL SIDES WITH THE 2" SCREWS AS SHOWN.

4: CONTINUE DOWN THE ROCK WALL INSTALLING ALL OF THE ROCK WALL BOARDS IN THE PATTERN SHOWN.



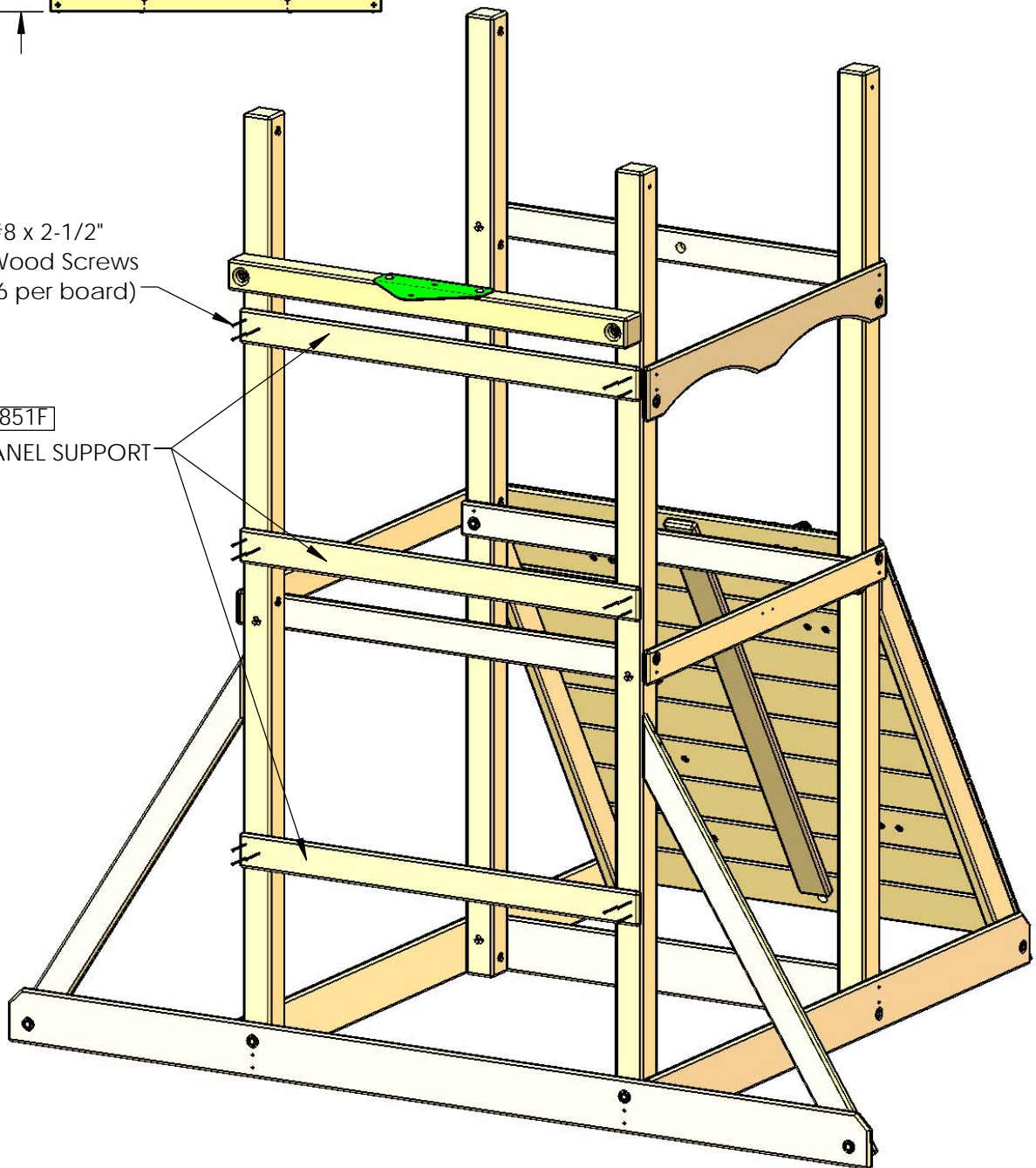
STEP 19: PANEL SUPPORTS

- 1: MAKE A MARK ON EACH CORNER POST AT THE DIMENSIONS SHOWN.
- 2: PLACE THE ***BOTTOM*** OF EACH PANEL SUPPORT ON THE MARK AND FASTEN AS SHOWN.



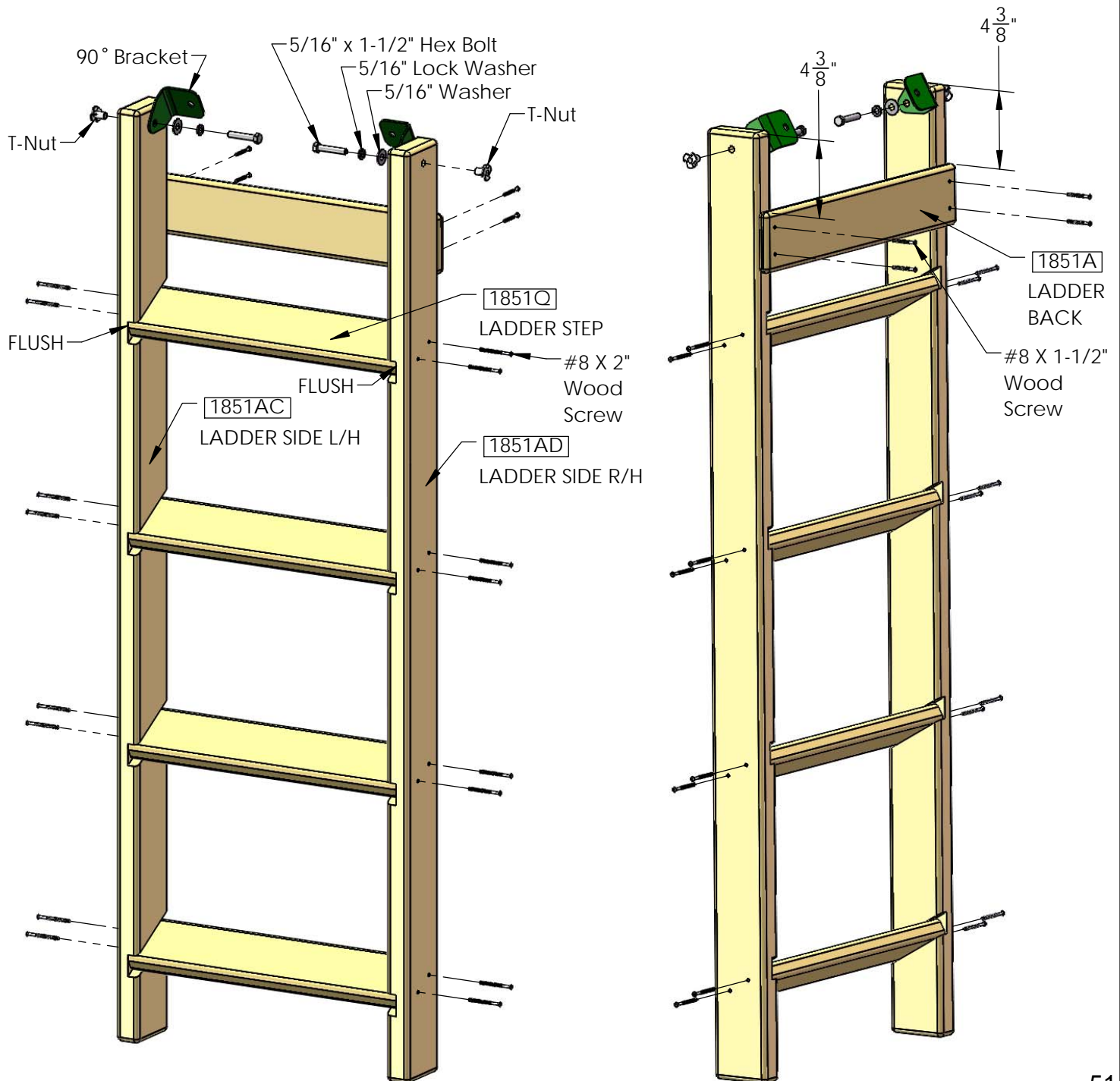
#8 x 2-1/2"
Wood Screws
(6 per board)

1851F
PANEL SUPPORT



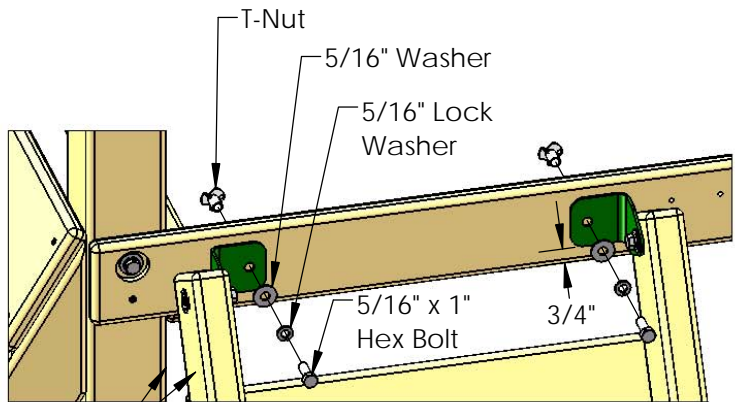
STEP 20: LADDER ASSEMBLY

- 1: INSTALL A T-NUT INTO EACH OF THE LADDER SIDES.
- 2: PLACE ONE OF THE LADDER SIDES ON THE GROUND WITH THE CHANNELS FACING UP.
- 3: INSERT THE LADDER STEPS INTO THE CHANNELS AND PLACE THE SECOND LADDER SIDE ON TOP.
- 4: FLUSH THE FRONT CORNER OF EACH STEP TO THE FRONT OF THE LADDER SIDE. THEN FASTEN THE STEP TO THE LADDER SIDE WITH TWO SCREWS. REPEAT FOR THE OTHER STEPS.
- 5: FLIP THE LADDER OVER AND REPEAT SUBSTEP 4 FOR THE OTHER SIDE.
- 6: MEASURE DOWN 4-3/8" ON THE BACK SIDE OF THE LADDER AND MAKE MARKS. ALIGN THE LADDER BACK AND FASTEN WITH FOUR SCREWS.
- 7: INSTALL TWO 90° BRACKETS ON THE INSIDE OF THE LADDER SIDES.



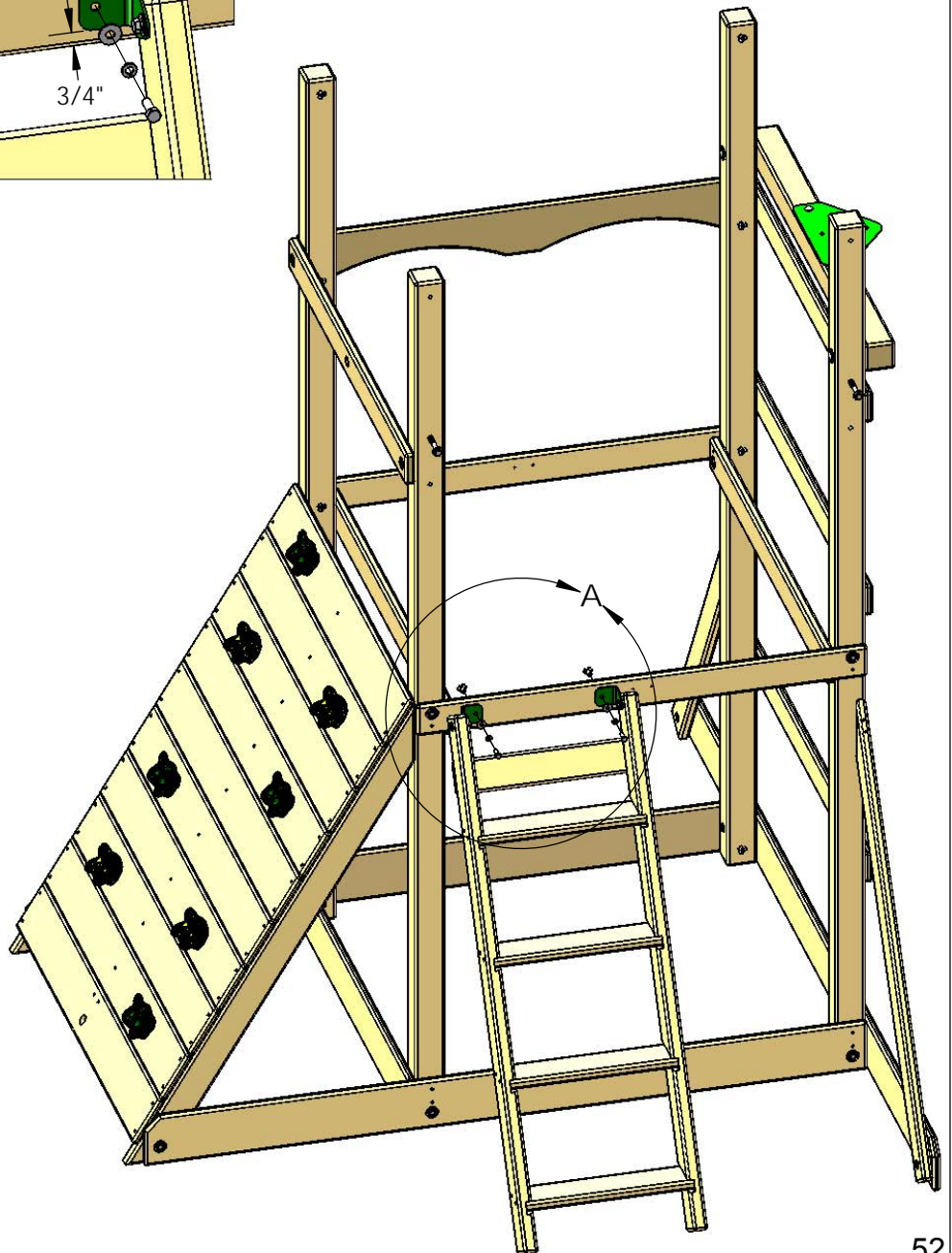
STEP 21: ATTACHING THE LADDER

- 1: FLUSH THE LEFT SIDE OF THE LADDER TO THE INSIDE OF THE CORNER POST.
- 2: MAKE THE BOTTOM OF EACH 90° BRACKET 3/4" ABOVE THE BOTTOM OF THE BOARD.
- 3: MARK THROUGH THE HOLES IN THE BRACKETS ONTO THE BOARD.
- 4: DRILL 3/8" HOLES WHERE MARKED.
- 5: INSTALL T-NUTS INTO THE BACK OF THE BOARD.
- 6: FASTEN THE BRACKETS AS SHOWN.



FLUSH

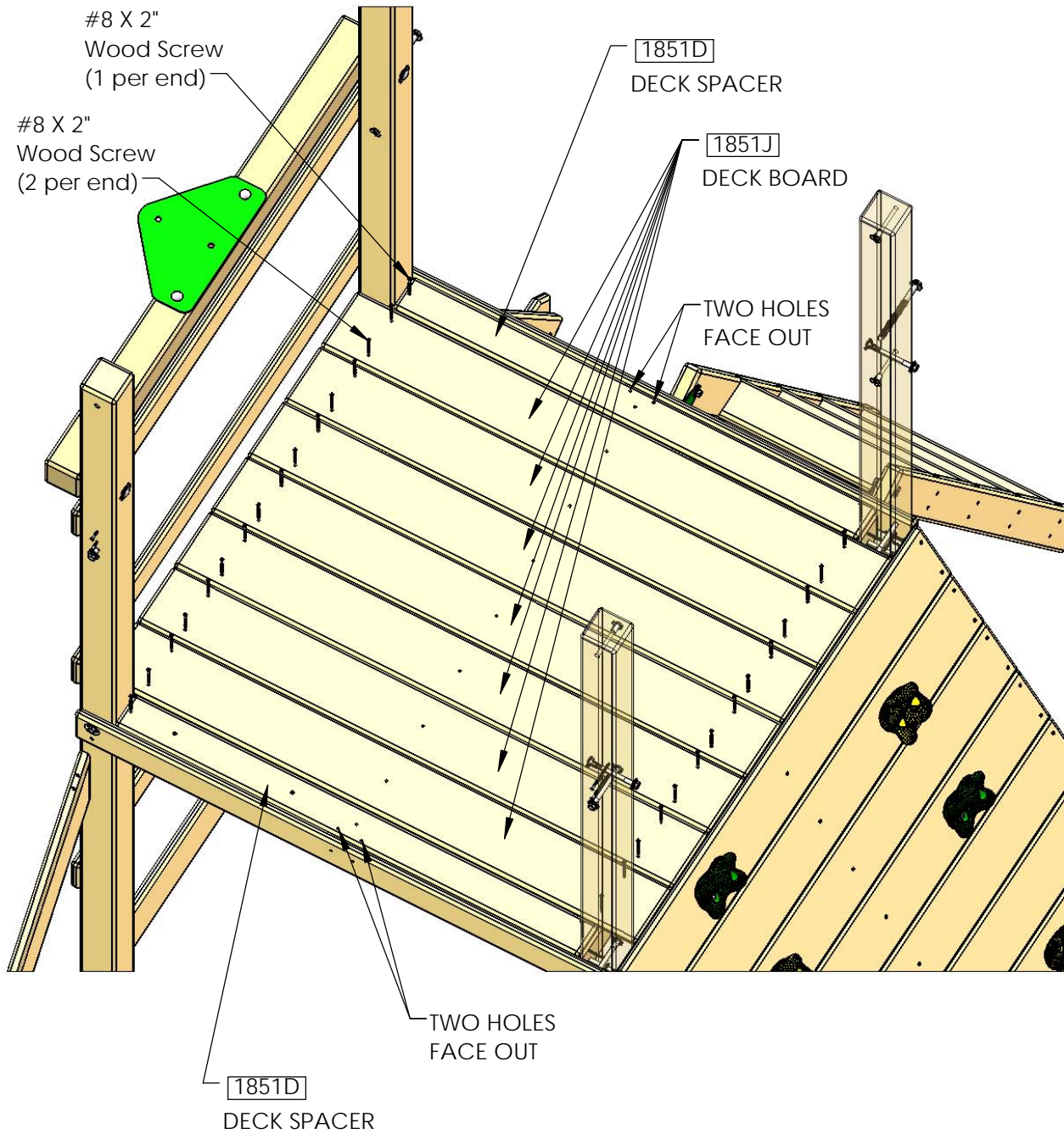
DETAIL A



STEP 22: DECK BOARDS

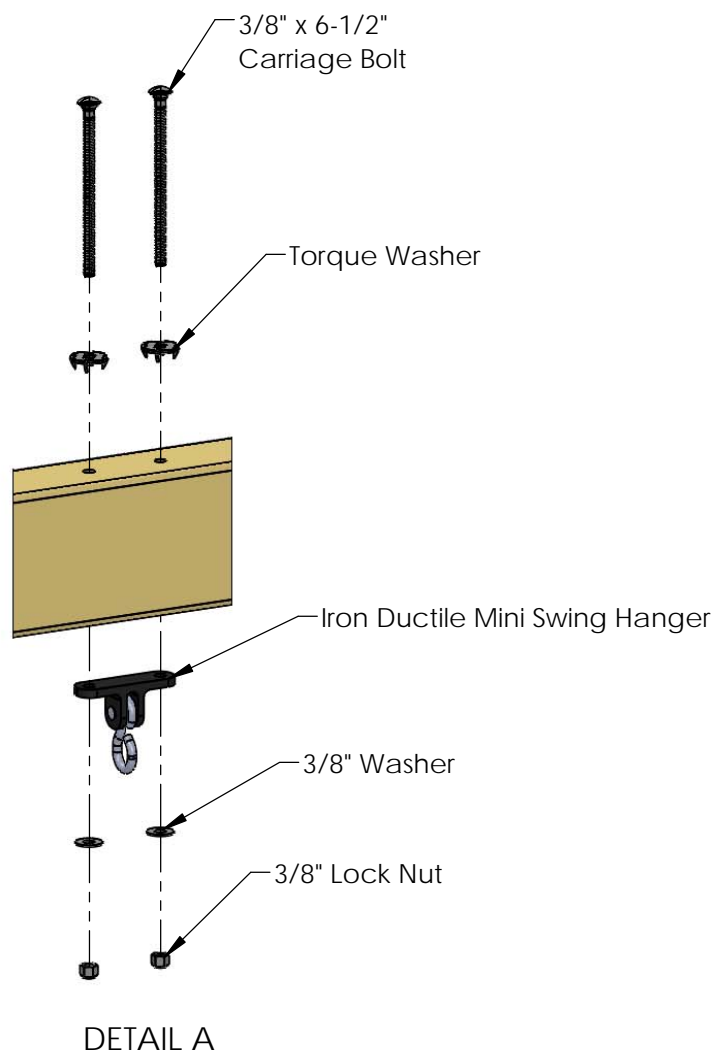
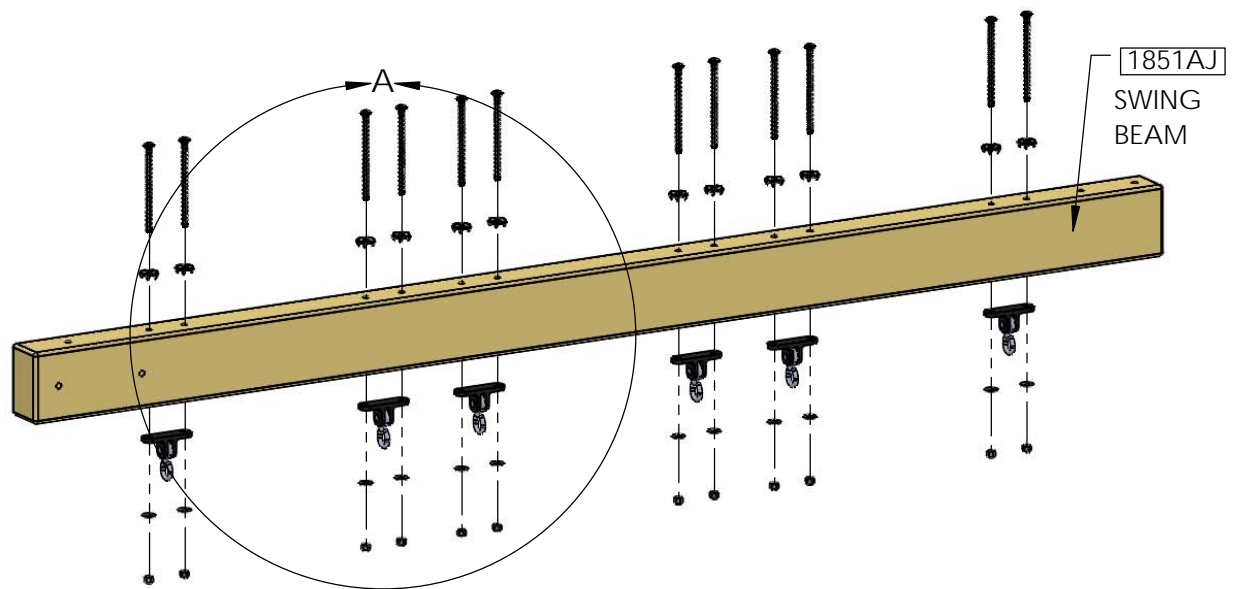
1: LAY THE DECK BOARDS AND DECK SPACERS ACROSS THE DECK SUPPORTS AS SHOWN. NOTE THE TWO HOLES AT THE CENTER OF THE DECK SPACER WILL FACE OUT.

2: FASTEN THE DECK SPACERS WITH ONE SCREW ON EACH END. FASTEN THE DECK BOARDS WITH TWO SCREWS ON EACH END.



STEP 23: SWING BEAM AND SWING HANGERS

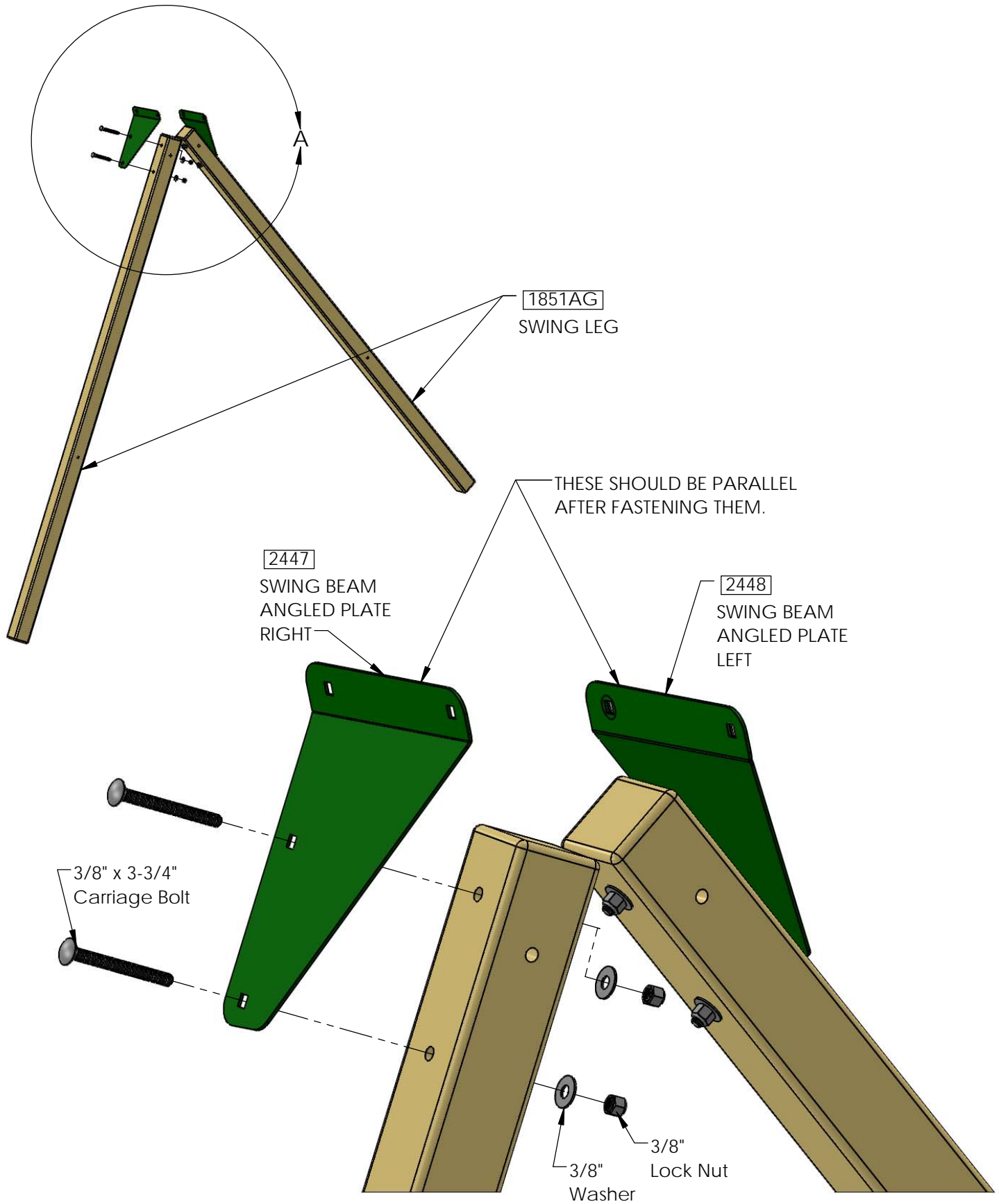
- 1: LINE UP THE HOLES IN THE SWING HANGERS WITH THE HOLES IN THE SWING BEAM.
- 2: FASTEN EACH HANGER WITH THE FASTENERS AS SHOWN.



STEP 24: SWING BEAM - ANGLED PLATES

1: INSTALL BRACKETS TO SWING LEGS AS SHOWN.

2: DO NOT TIGHTEN HARDWARE AT THIS POINT.

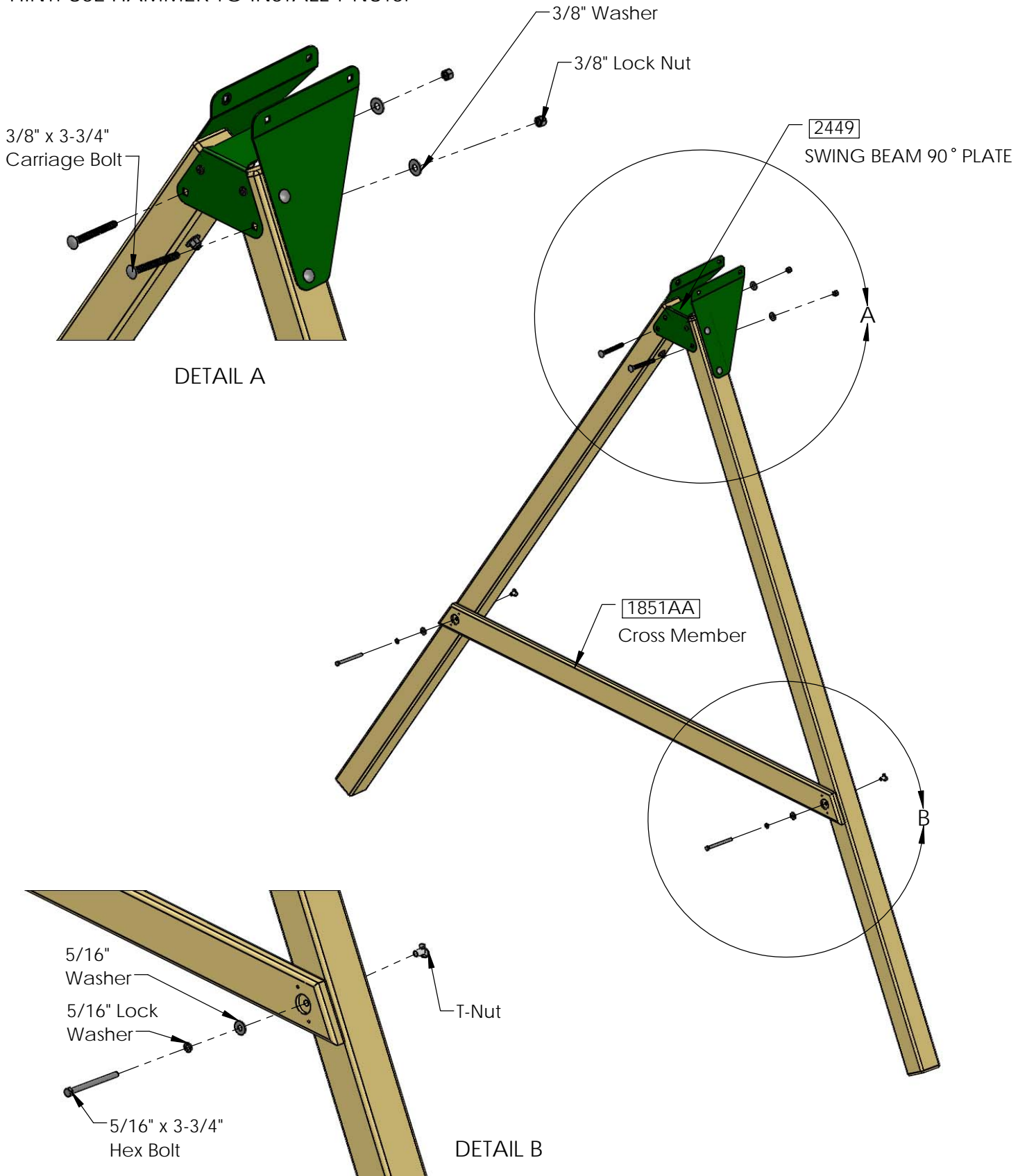


STEP 25: SWING BEAM - LEGS

1: INSTALL BEAM 90° PLATE AS SHOWN.

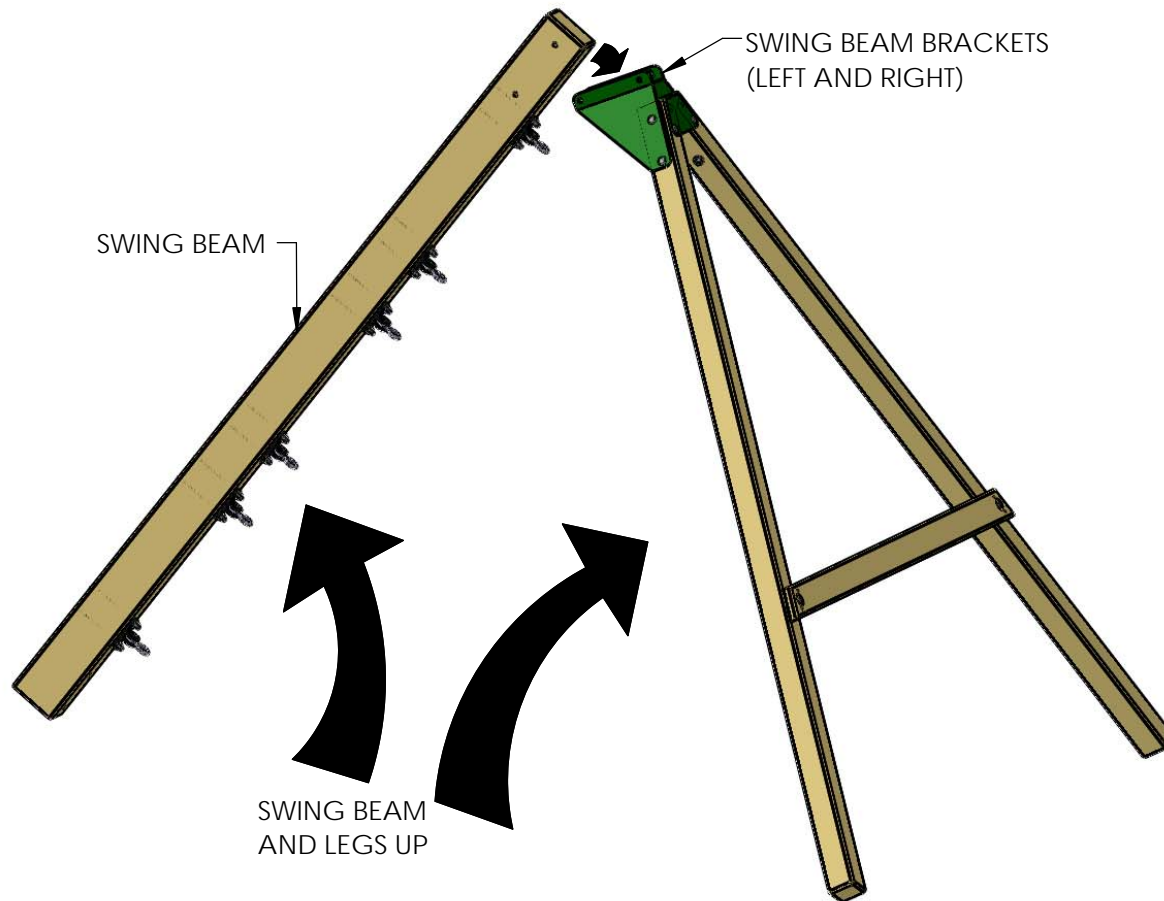
2: ATTACH CROSS MEMBER AS SHOWN.

HINT: USE HAMMER TO INSTALL T-NUTS.



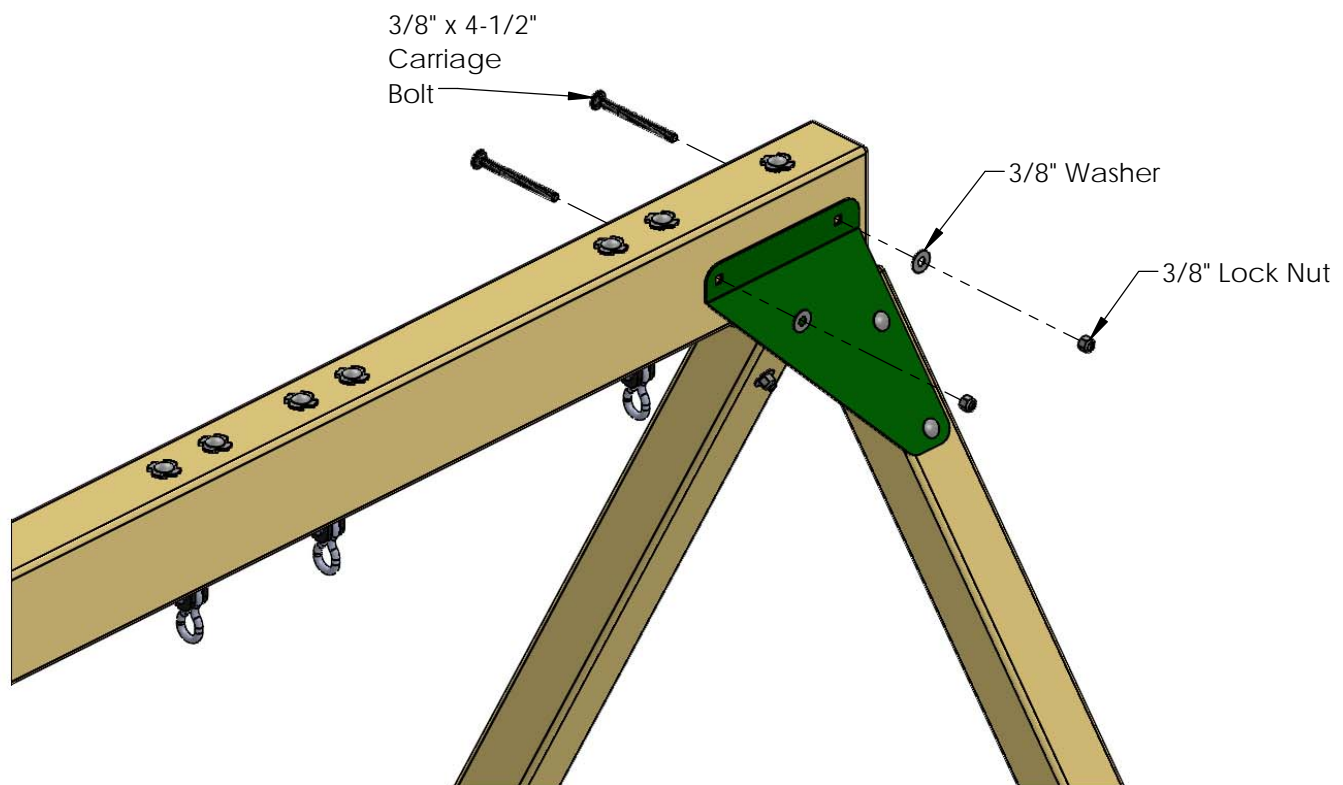
STEP 26: SWING BEAM TO SWING BEAM LEGS

1: CAREFULLY PLACE THE SWING BEAM BETWEEN THE SWING BEAM BRACKETS (LEFT AND RIGHT) AS SHOWN IN THE DIAGRAM BELOW.



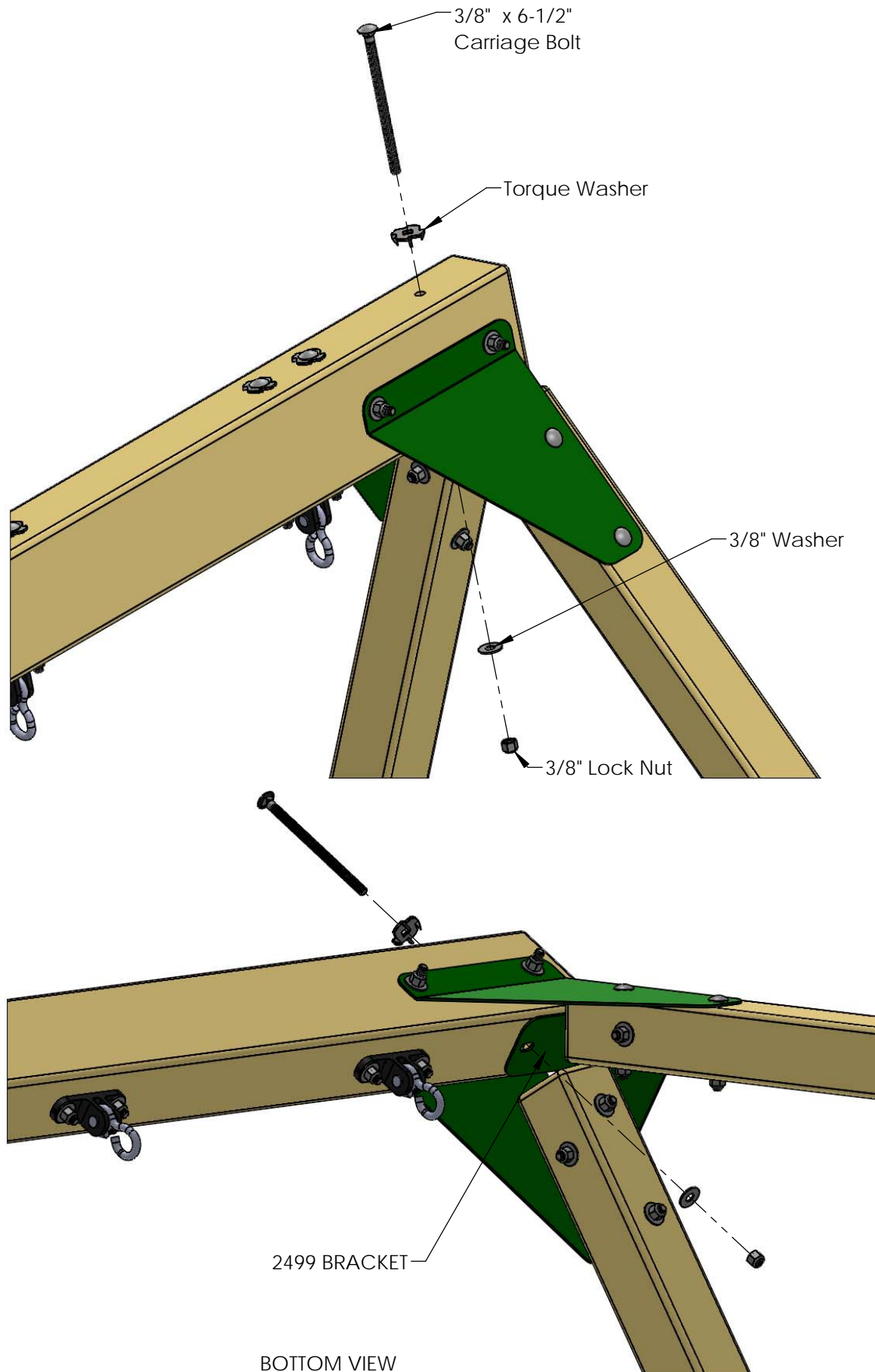
2: ASSEMBLE WITH FASTENERS AS SHOWN

****DO NOT FULLY TIGHTEN FASTENERS AT THIS POINT.****



STEP 27: SWING BEAM TO SWING BEAM LEGS

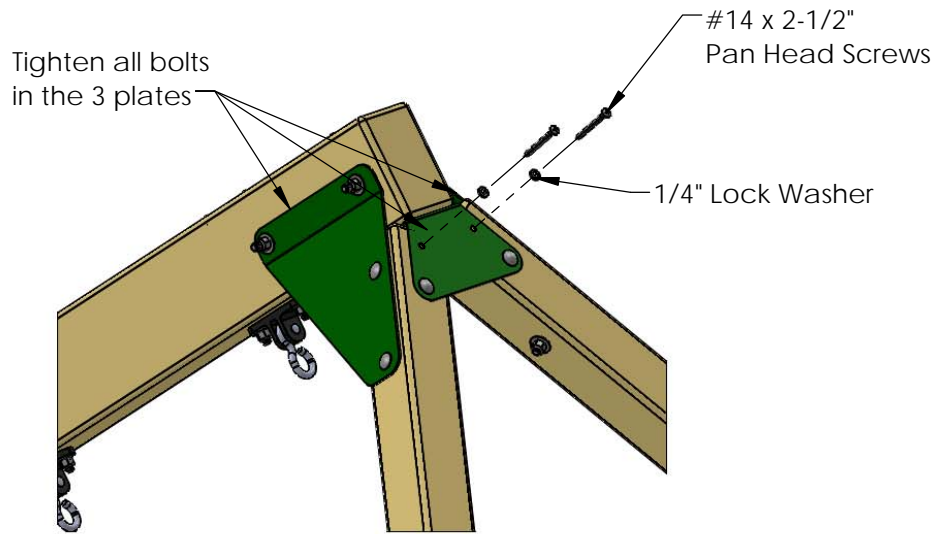
1: FASTEN THE SWING BEAM TO THE 2499 BRACKET WITH THE HARDWARE SHOWN.



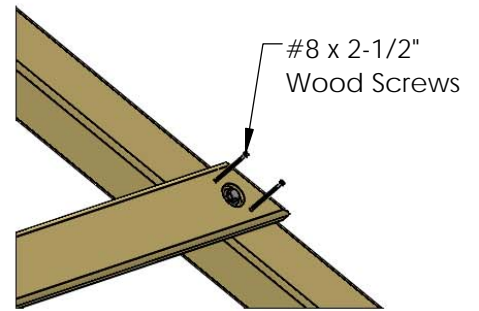
STEP 28: SWING BEAM - SCREWS

1: TIGHTEN UP ALL OF THE BOLTS AT THIS TIME.

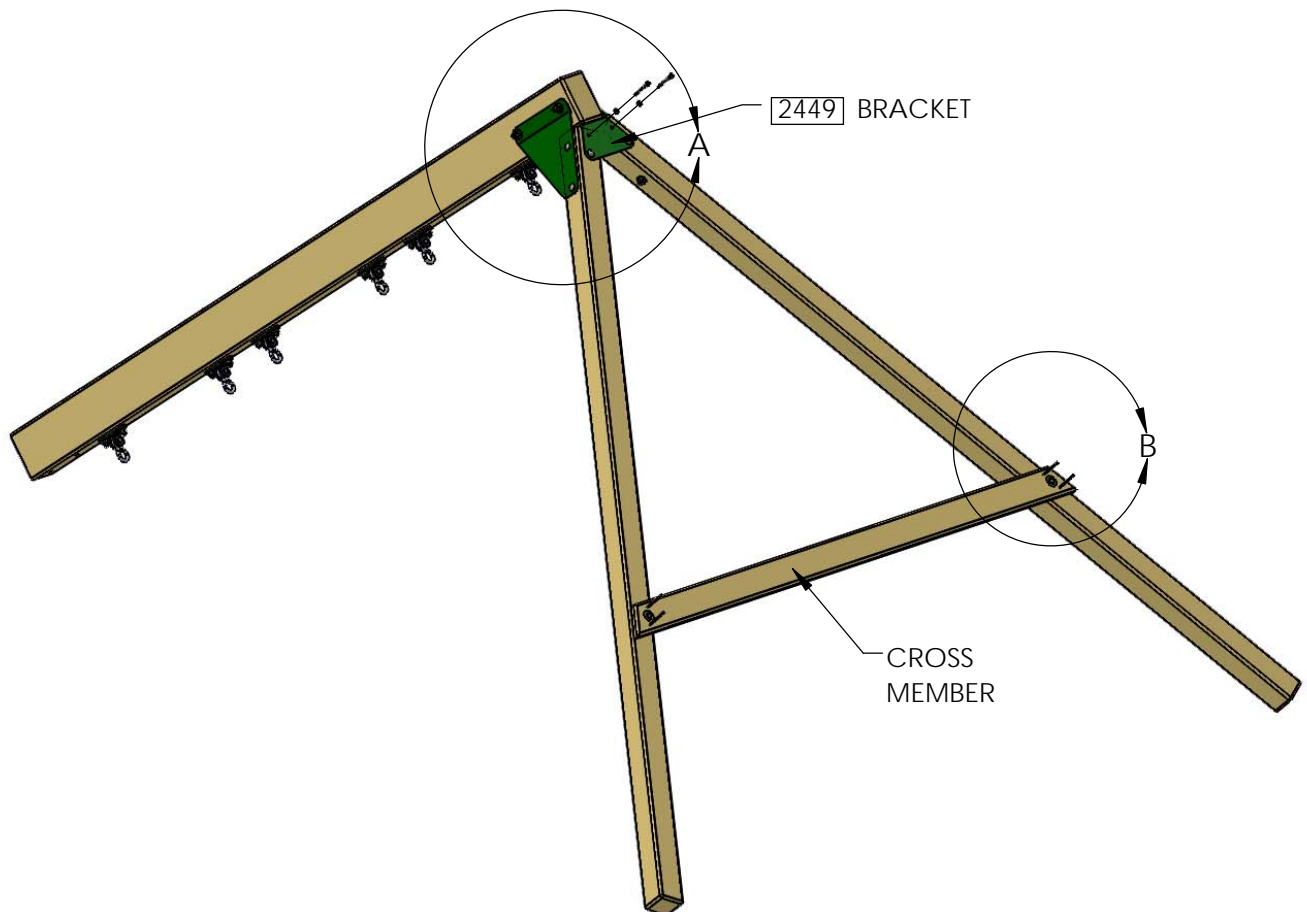
2: INSTALL SCREWS AS SHOWN BELOW.



DETAIL A



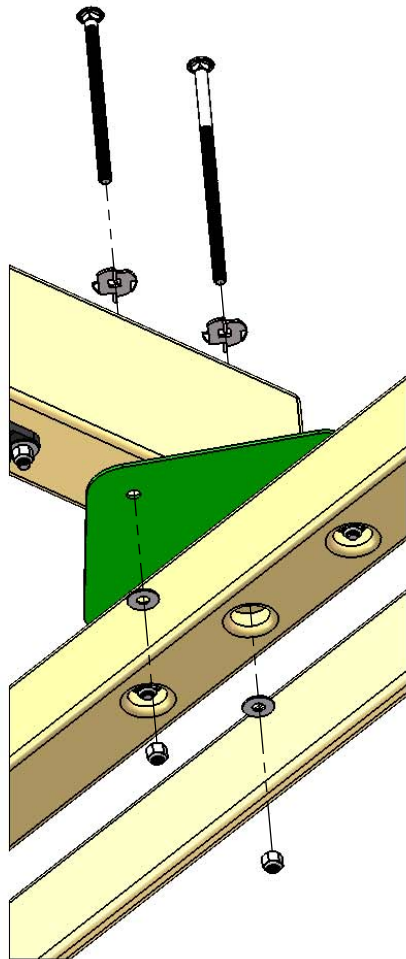
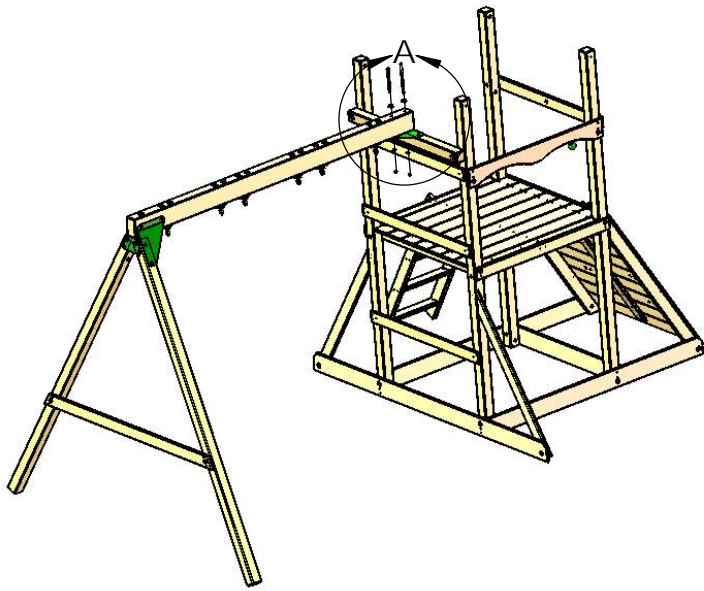
DETAIL B



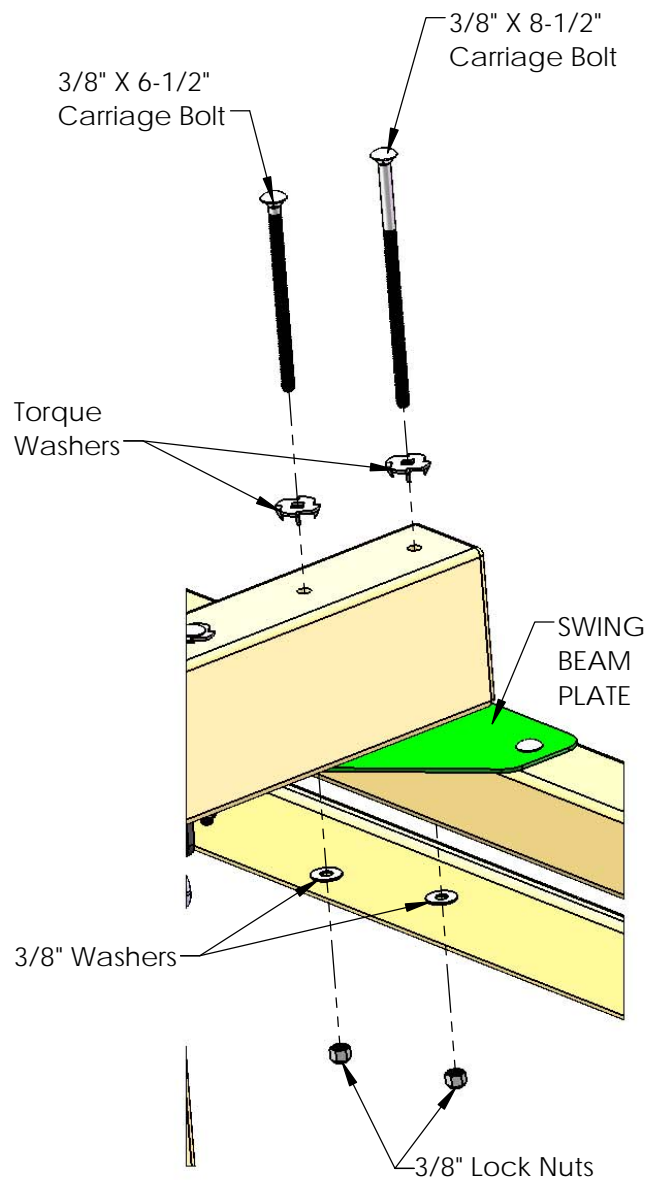
STEP 29: SWING BEAM - ATTACH TO PLAY SET

1: PLACE SWING BEAM ON SWING BEAM PLATE AND ATTACH AS SHOWN.

HINT: USE HAMMER TO TAP BOLT TO SEAT THE TORQUE WASHER.



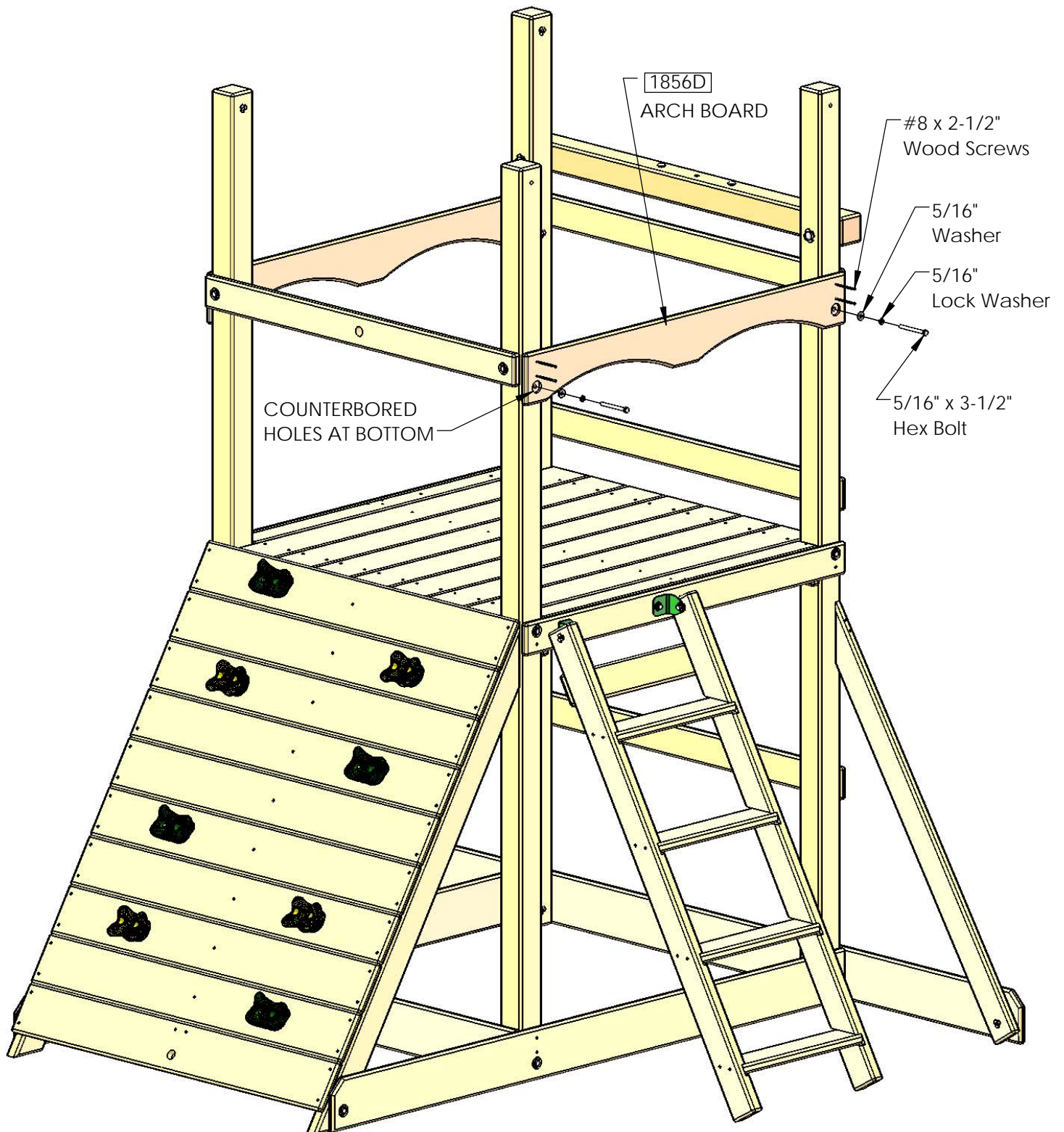
BOTTOM VIEW



DETAIL A

STEP 30: ARCH BOARD (REAR)

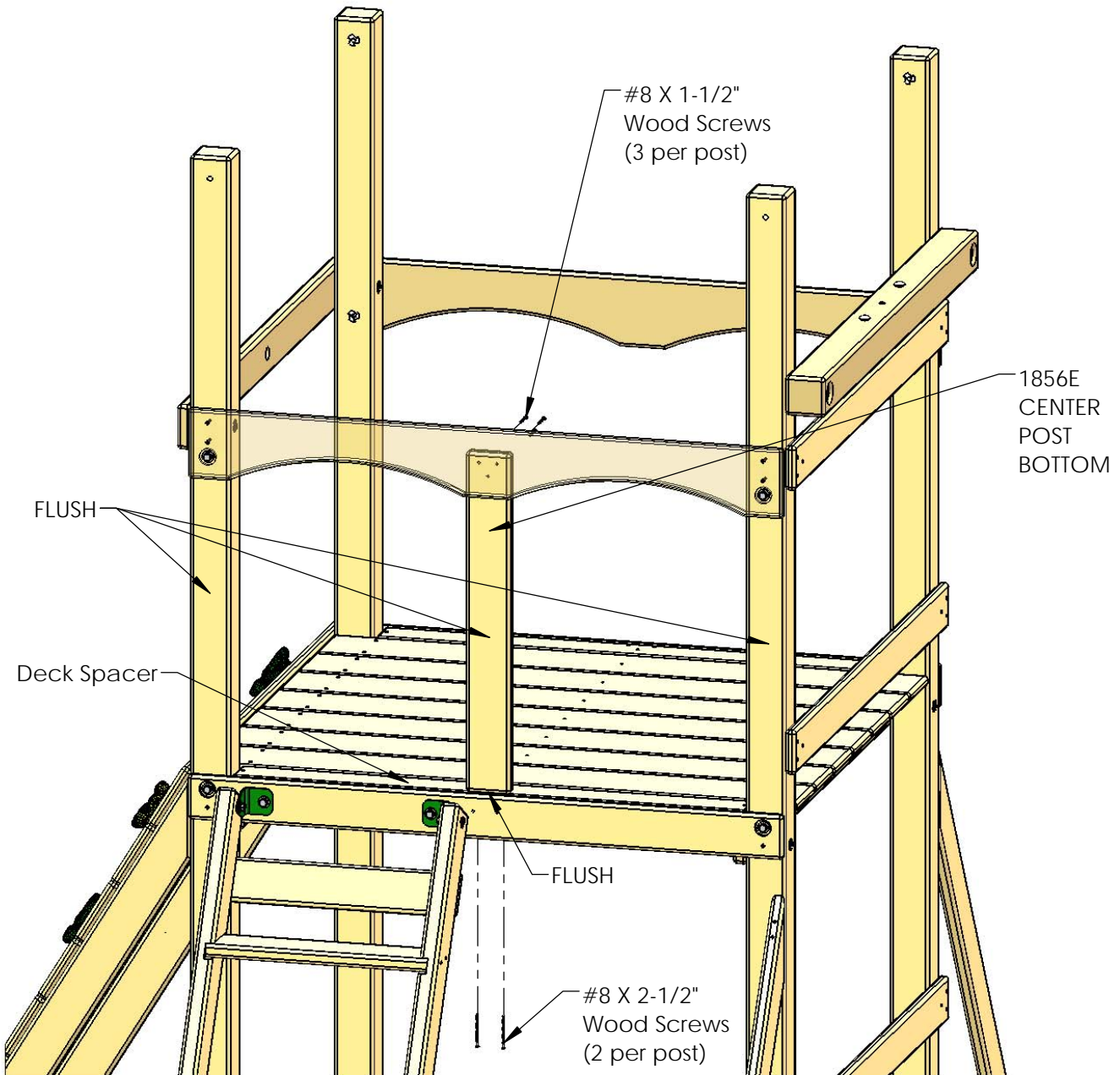
1: FASTEN THE ARCH BOARD TO THE REAR AS SHOWN. THE COUNTERBORED HOLES SHOULD BE ON THE BOTTOM AND SHOULD FACE OUT.



STEP 31: CENTER POSTS

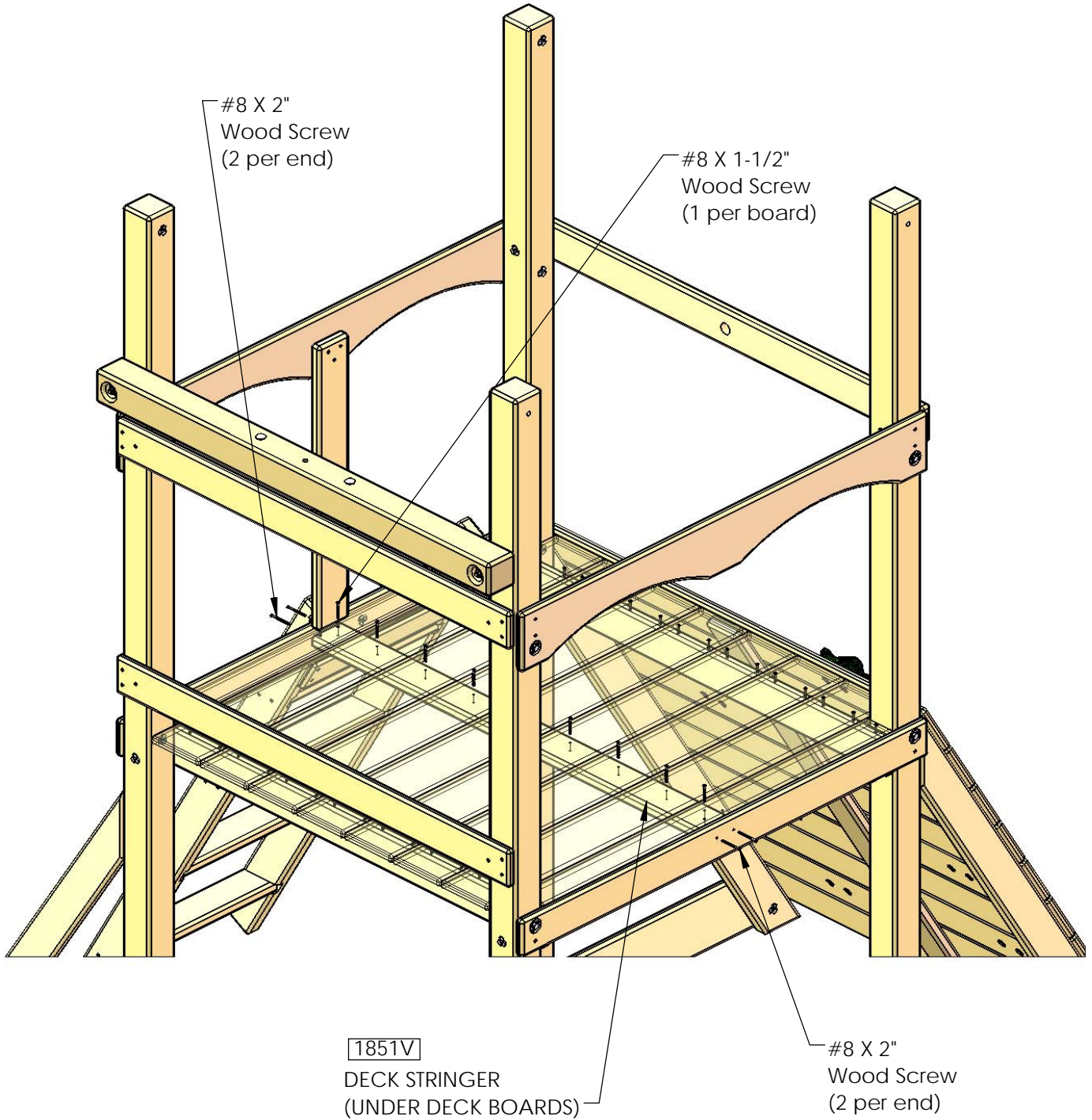
1: CENTER THE CENTER POST BETWEEN THE CORNER POSTS ON THE INSIDE OF THE ARCHED BOARD. MAKE SURE THE OUTSIDE FACE OF THE CENTER POST IS FLUSH TO THE OUTSIDE FACE OF THE CORNER POSTS.

2: THE BOTTOM OF THE CENTER POST MUST BE IN CONTACT WITH THE DECK SPACER PRIOR TO INSTALLING SCREWS THROUGH THE DECK SPACER. INSTALL SCREWS AS SHOWN.



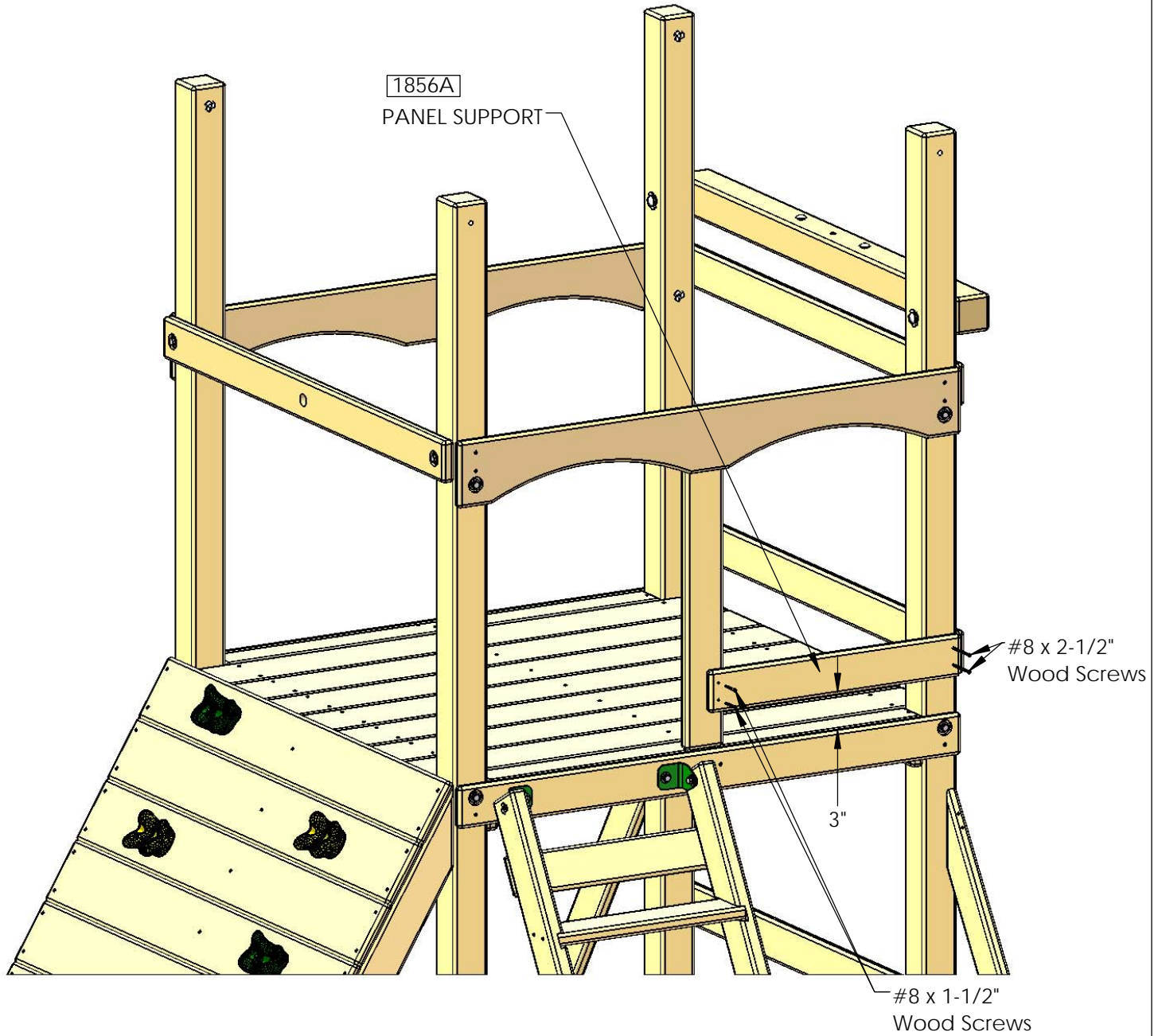
STEP 32 DECK STRINGER

- 1: CENTER THE DECK STRINGER UNDER THE DECK BOARDS AS SHOWN.
- 2: INSTALL THE 1-1/2" WOOD SCREWS FIRST, THEN THE 2" WOOD SCREWS.



STEP 33: PANEL SUPPORT

- 1: SPACE THE PANEL SUPPORT 3" OFF THE DECK AS SHOWN.
- 2: FASTEN THE PANEL SUPPORT.

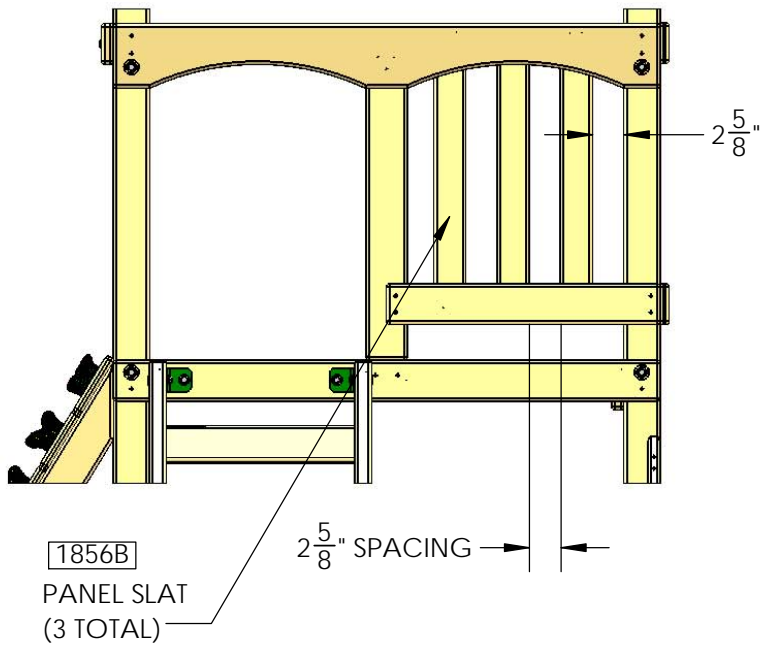


STEP 34: PANEL/WALL SLATS

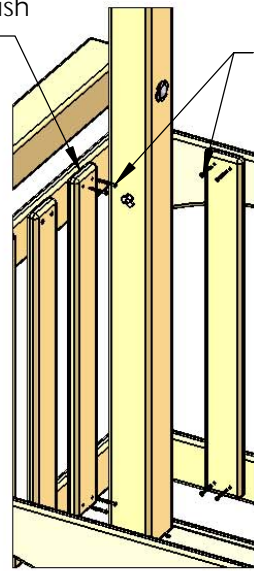
1: PLACE PANEL SLATS ON THE INSIDE OF THE PANEL SUPPORT BOARDS. THE TOP OF EACH PANEL SLAT SHOULD BE FLUSH TO THE TOP OF THE PANEL SUPPORT.

2: SPACE THE PANEL SLATS AS SHOWN BELOW AND FASTEN AS SHOWN.

REAR SLAT SPACING
(VIEW FROM REAR OF PLAY SET)

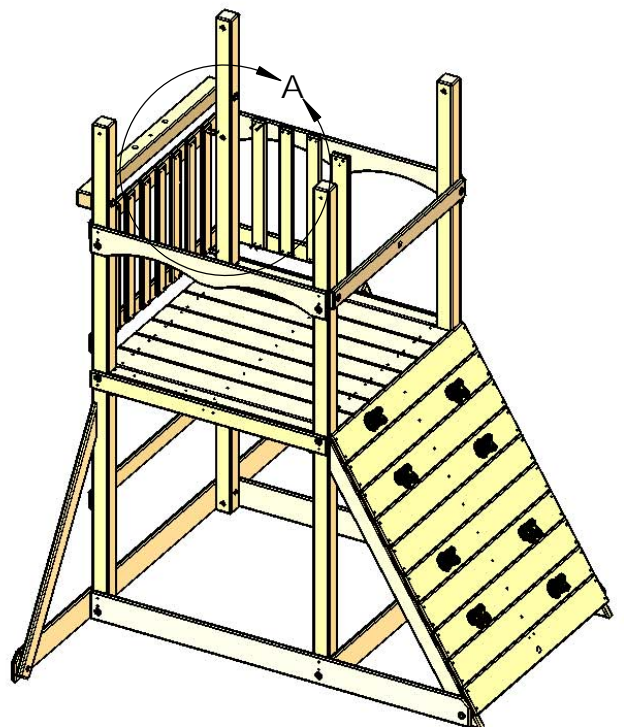
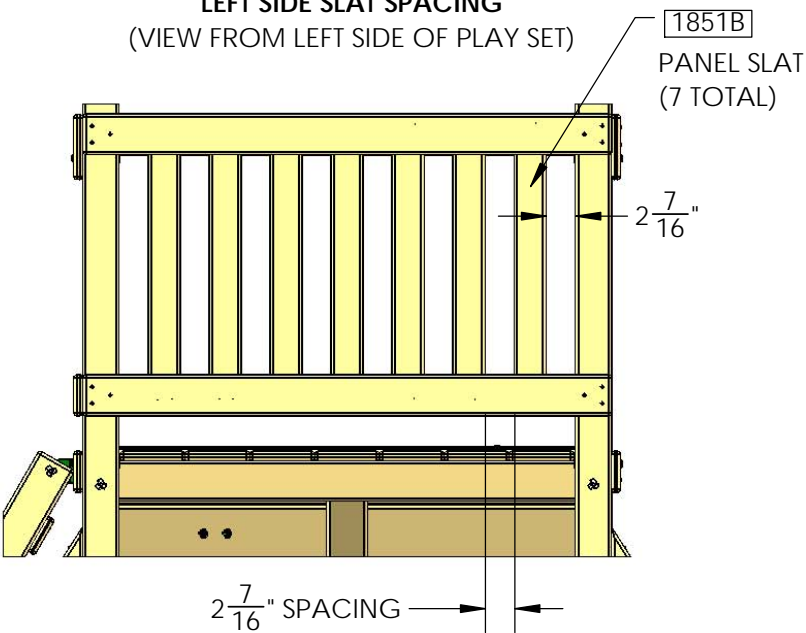


Slats Flush at top.
#8 x 1-1/4" Wood Screws



DETAIL A

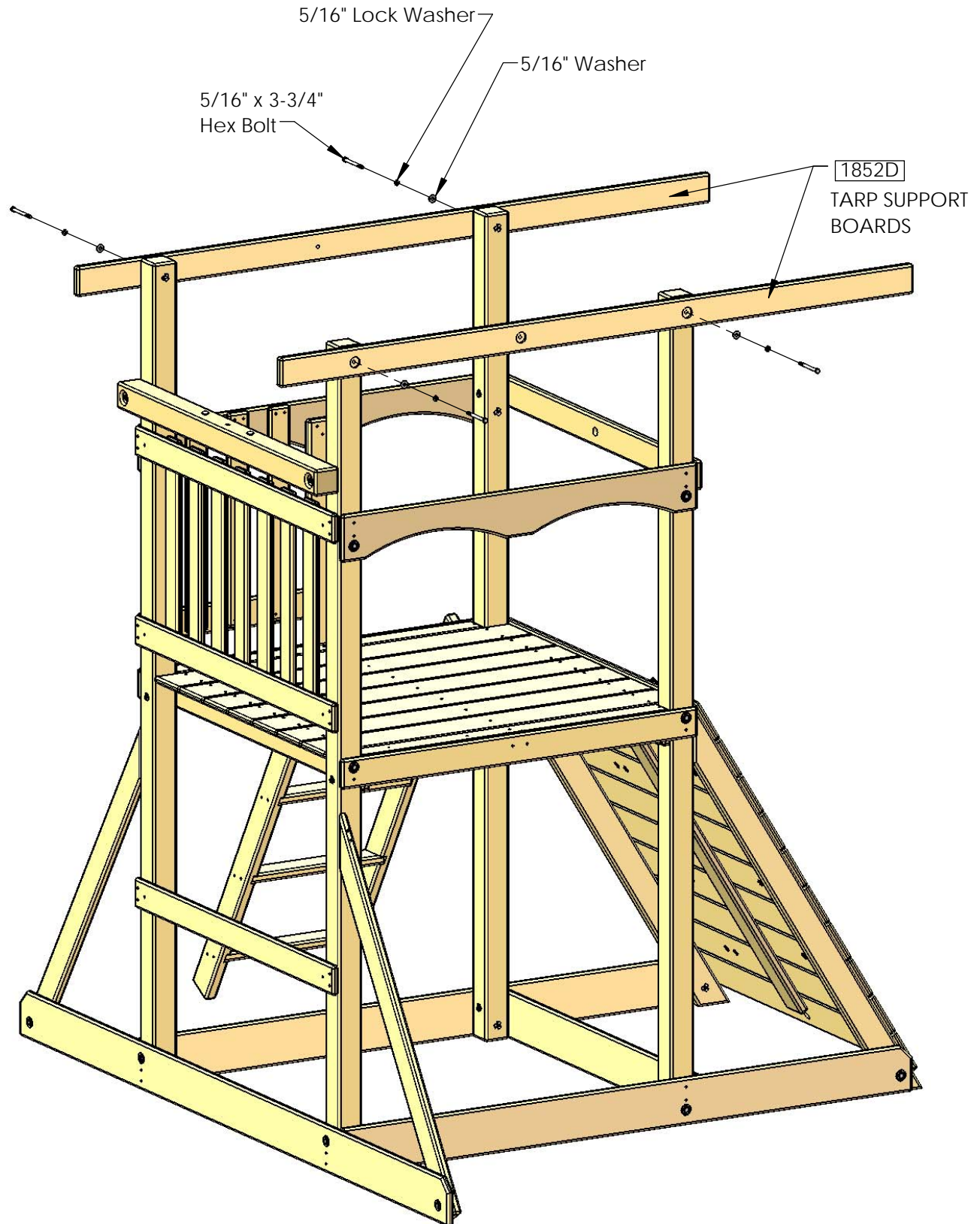
LEFT SIDE SLAT SPACING
(VIEW FROM LEFT SIDE OF PLAY SET)



STEP 35: TARP SUPPORT BOARDS

1: PLACE THE TARP SUPPORT BOARDS WITH THE LONG OVERHANG OVER THE ROCK WALL.

2: FASTEN AS SHOWN.

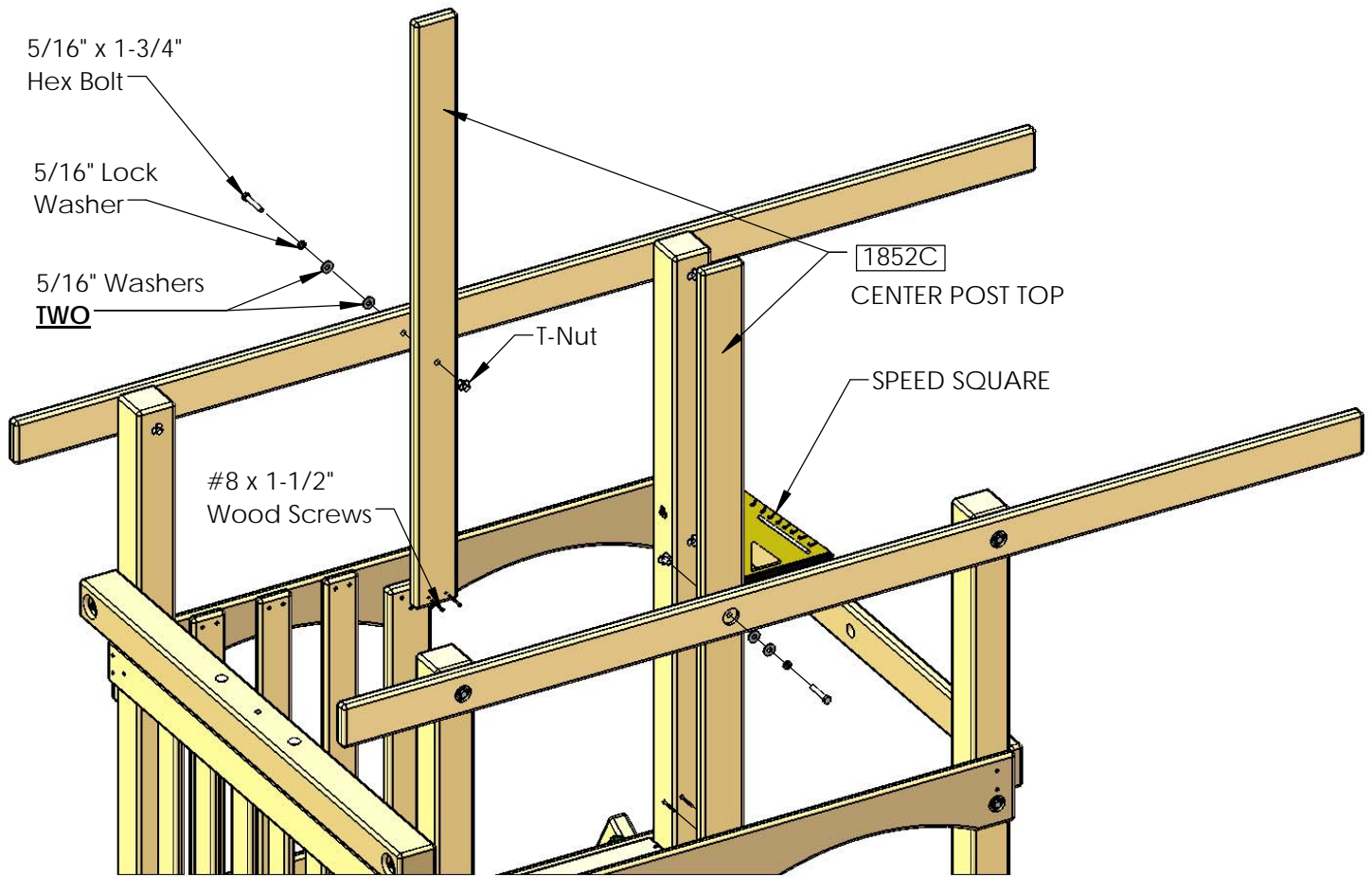


STEP 36: CENTER POSTS TOP

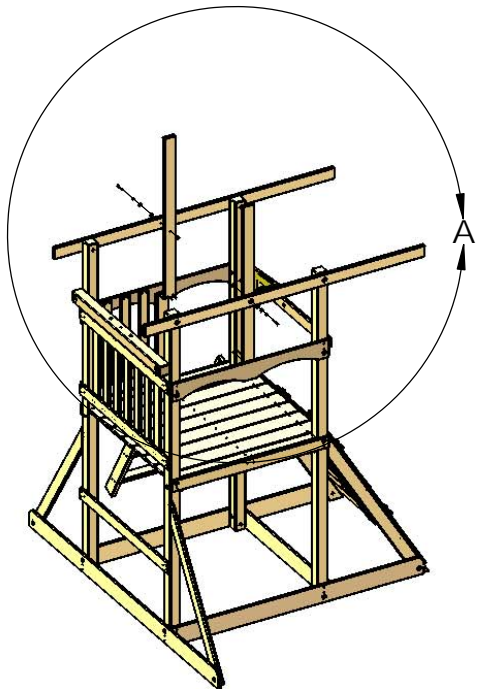
1: INSTALL A T-NUT INTO EACH BOARD AS SHOWN.

2: SQUARE THE CENTER POST TO THE TARP SUPPORT THEN FASTEN WITH THE HEX BOLT AND ALL WASHERS AS SHOWN.

3: FASTEN THE BOTTOM OF THE CENTER POST WITH SCREWS AS SHOWN.



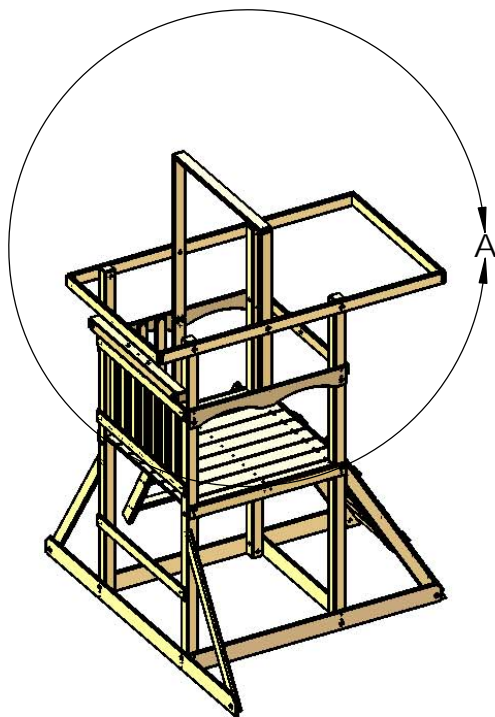
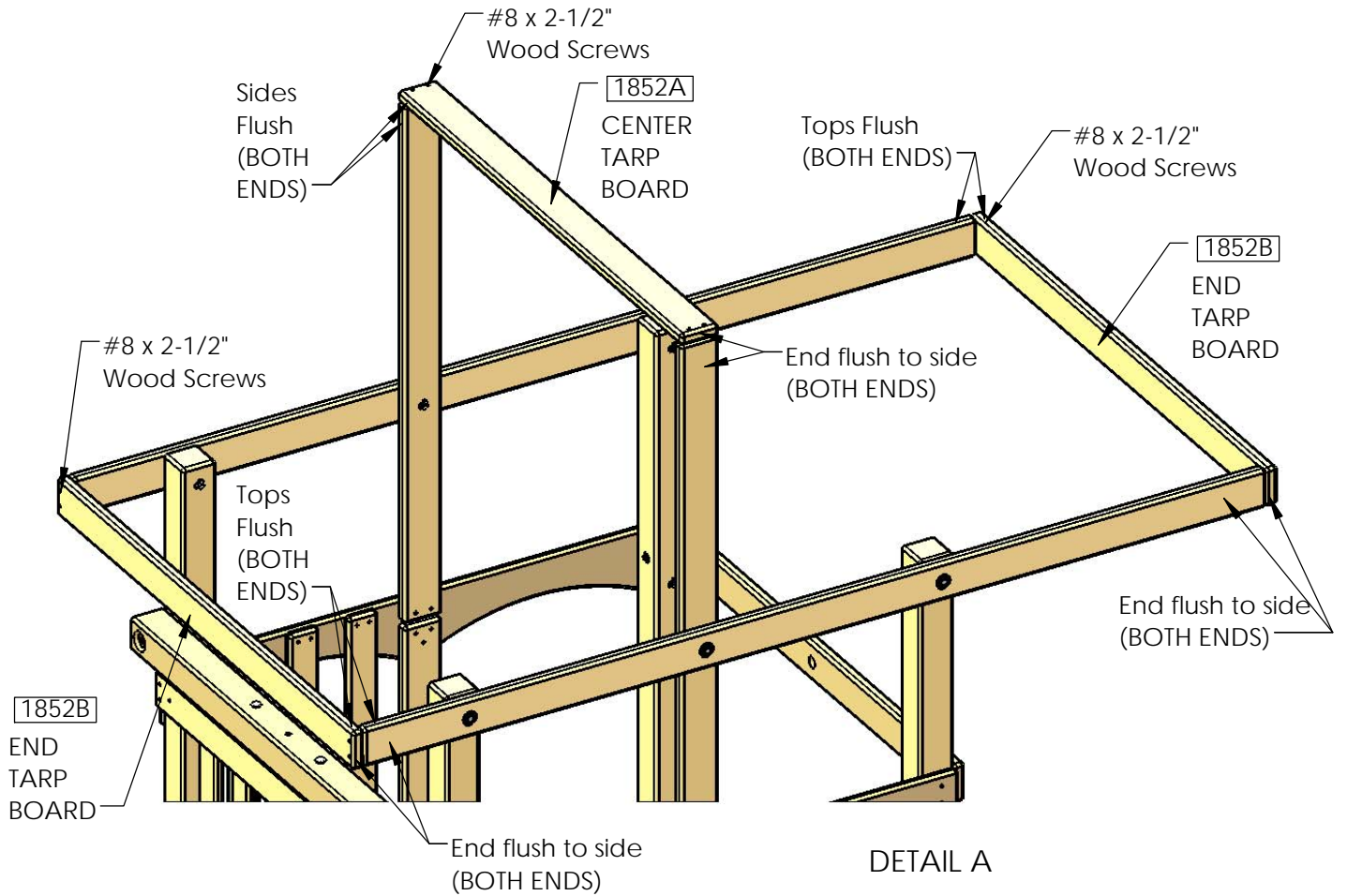
DETAIL A



STEP 37: TARP BOARDS

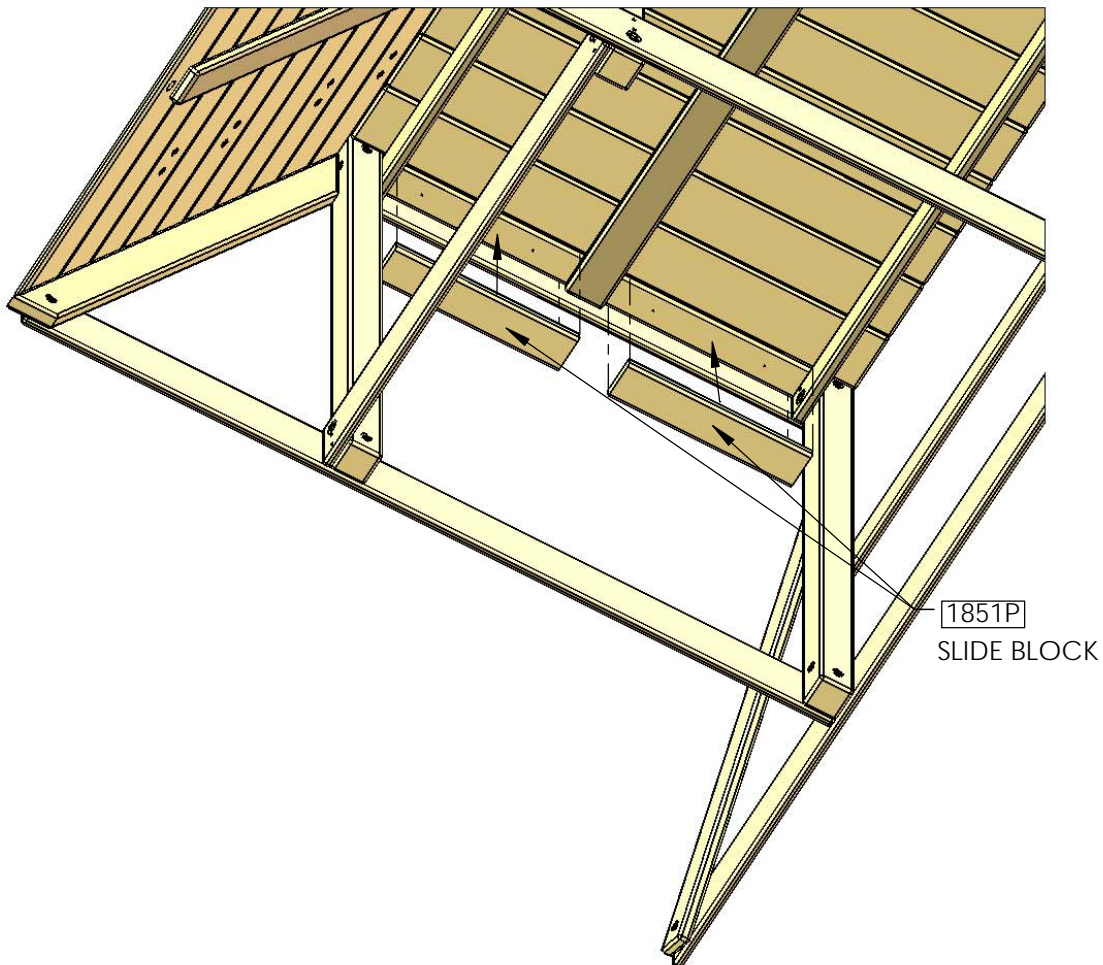
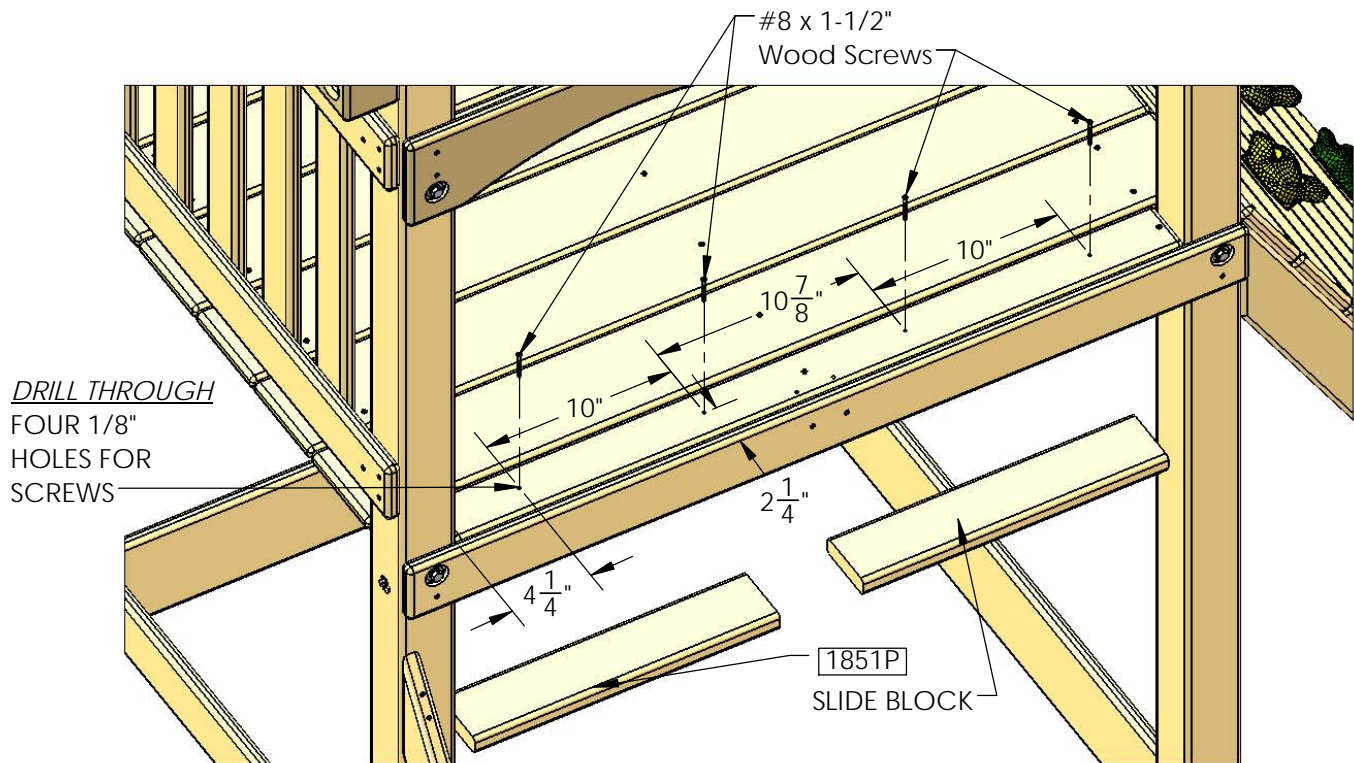
1: PLACE THE CENTER TARP BOARD ON TOP OF THE CENTER POSTS AND FASTEN AS SHOWN.

2: PLACE EACH END TARP BOARD ONTO THE ENDS OF THE TARP SUPPORTS AND FASTEN AS SHOWN.



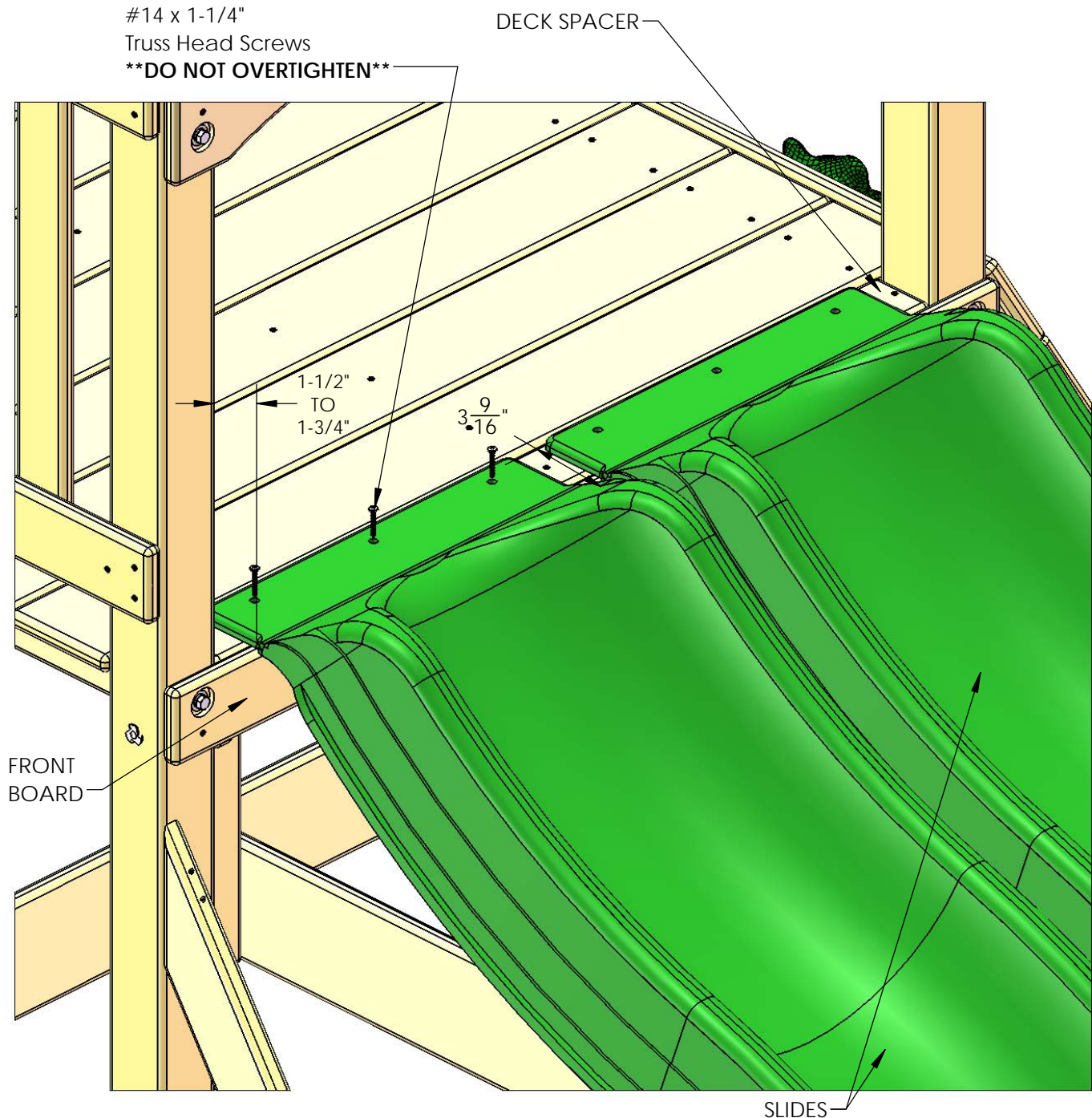
STEP 38: SLIDE BLOCKS

- 1: MEASURE TO DRILL THE HOLES AS SHOWN AND MAKE MARKS.
- 2: DRILL 1/8" HOLES AT THE MARKS AND INSTALL THE SLIDE BLOCKS.



STEP 39: SLIDES

- 1: PLACE THE SLIDE MOUNTING TAB BACK $3\frac{9}{16}$ " FROM THE FRONT BOARD ON THE PLAY SET.
 - 2: THE SIDE OF EACH SLIDE SHOULD BE $1\frac{1}{2}$ " TO $1\frac{3}{4}$ " AWAY FROM THE SIDE OF THE POST.
 - 3: PRE-DRILL $\frac{1}{8}$ " HOLES AT THE INDENTATIONS IN THE SLIDE INTO THE DECK SPACER 1" DEEP.
 - 4: SECURE EACH SLIDE TO THE DECK SPACER WITH #14 X $1\frac{1}{4}$ " TRUSS HEAD SCREWS.
- **DO NOT OVERTIGHTEN SCREWS****

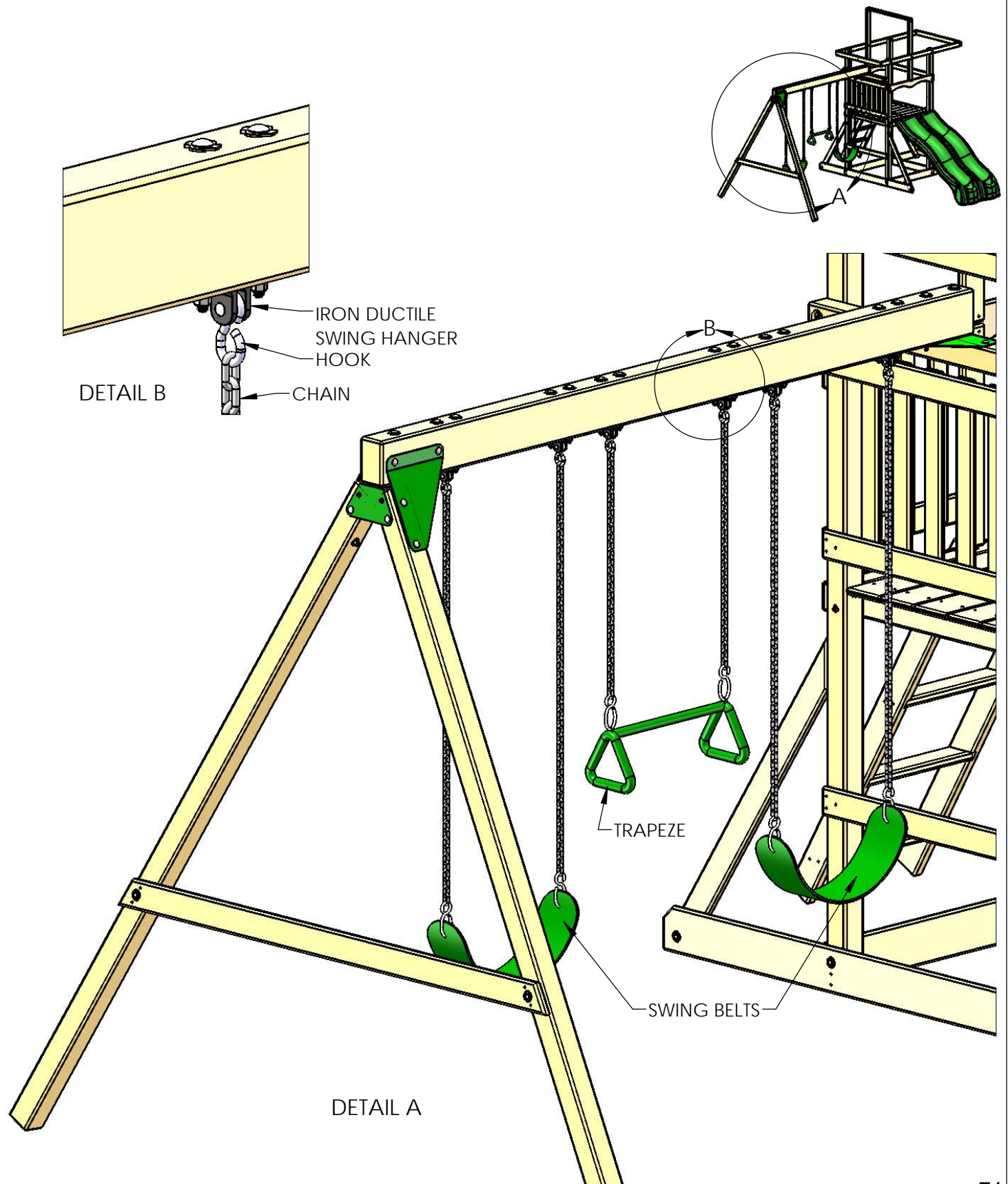


****ONCE SLIDE IS INSTALLED DO NOT LIFT THE BOTTOM END OR DAMAGE COULD OCCUR.****

STEP 40: HANGING THE SWINGS

1: PLACE EACH OF THE SWING CHAINS ONTO THE HOOK OF THE SWING HANGERS. PLACE CHAINS ONTO HIGHER OR LOWER LINKS TO ADJUST THE HEIGHT OF THE SWING.

2: REPEAT THIS PROCESS FOR THE TRAPEZE SWING.



STEP 41: TARP

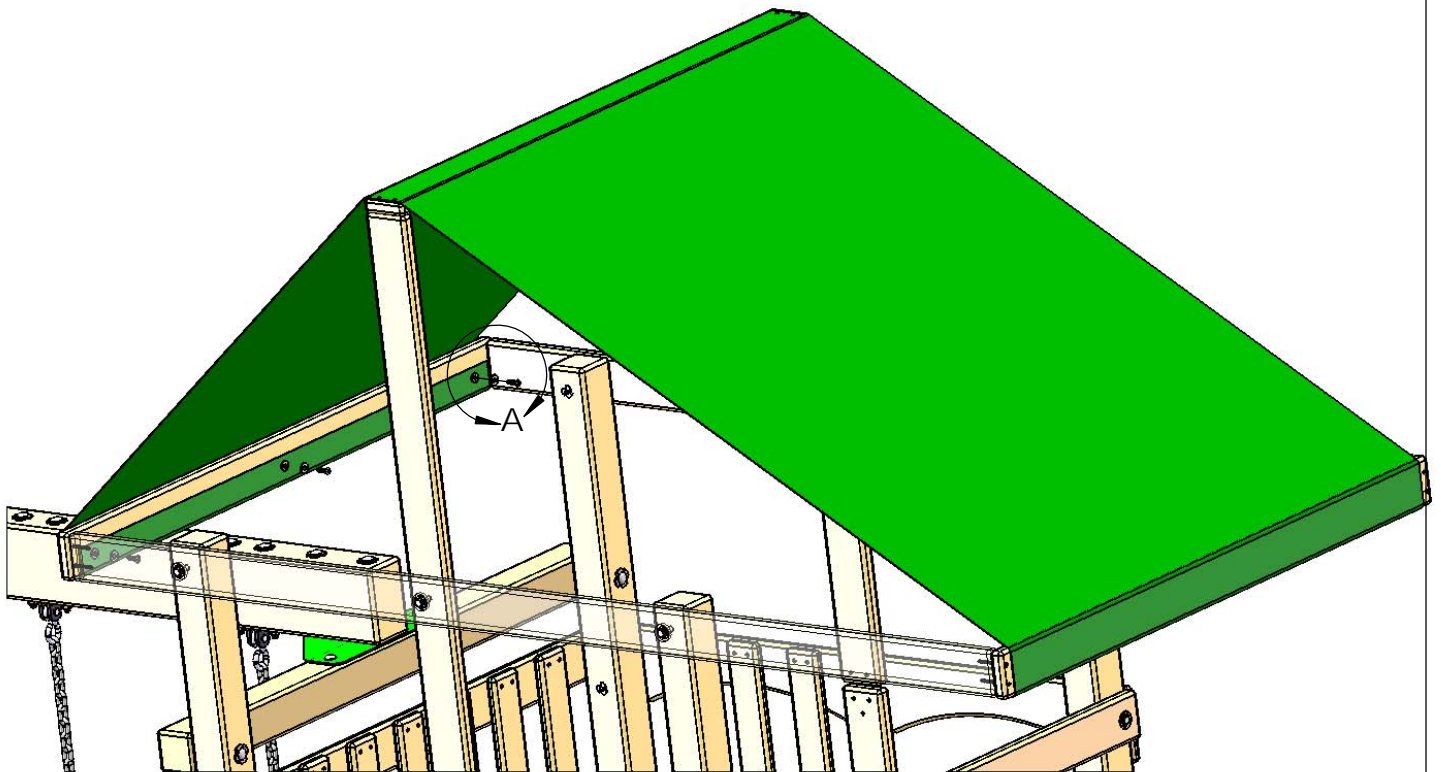
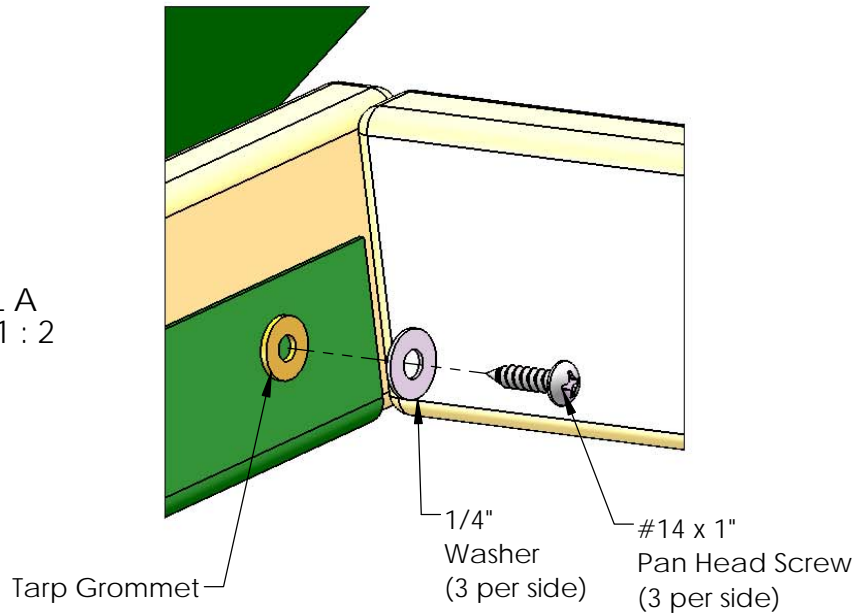
1: PLACE THE TARP ACROSS THE TARP BOARDS WITH THE HEMS ON THE INSIDE.

2: WRAP THE ENDS OF THE TARP EQUALLY AROUND THE END TARP BOARDS.

NOTE: IF YOU WISH YOU MAY PREDRILL 1/8" PILOT HOLES BY 3/4" DEEP FOR THE PAN HEAD SCREWS.

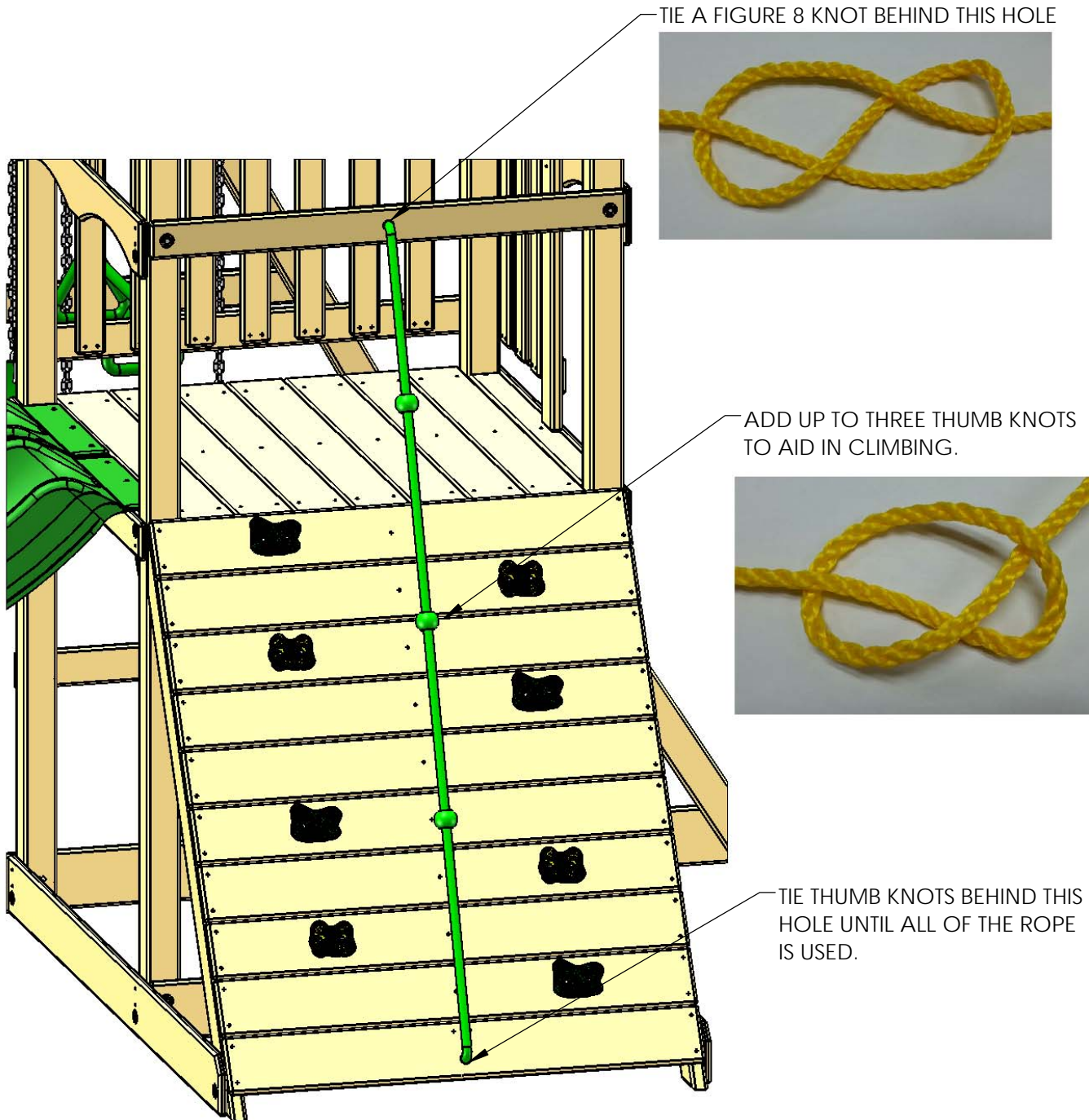
3: INSTALL A SCREW AND WASHER AT EACH GROMMET.

DETAIL A
SCALE 1 : 2



STEP 42: CLIMBING ROPE

1: THREAD THE ROPE AS SHOWN IN THE DIAGRAM BELOW.



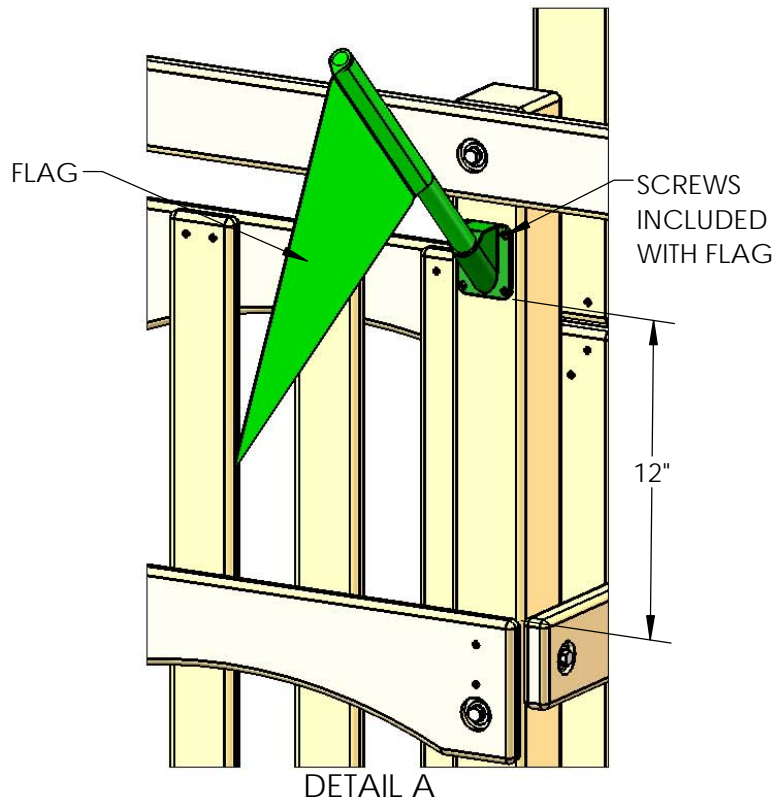
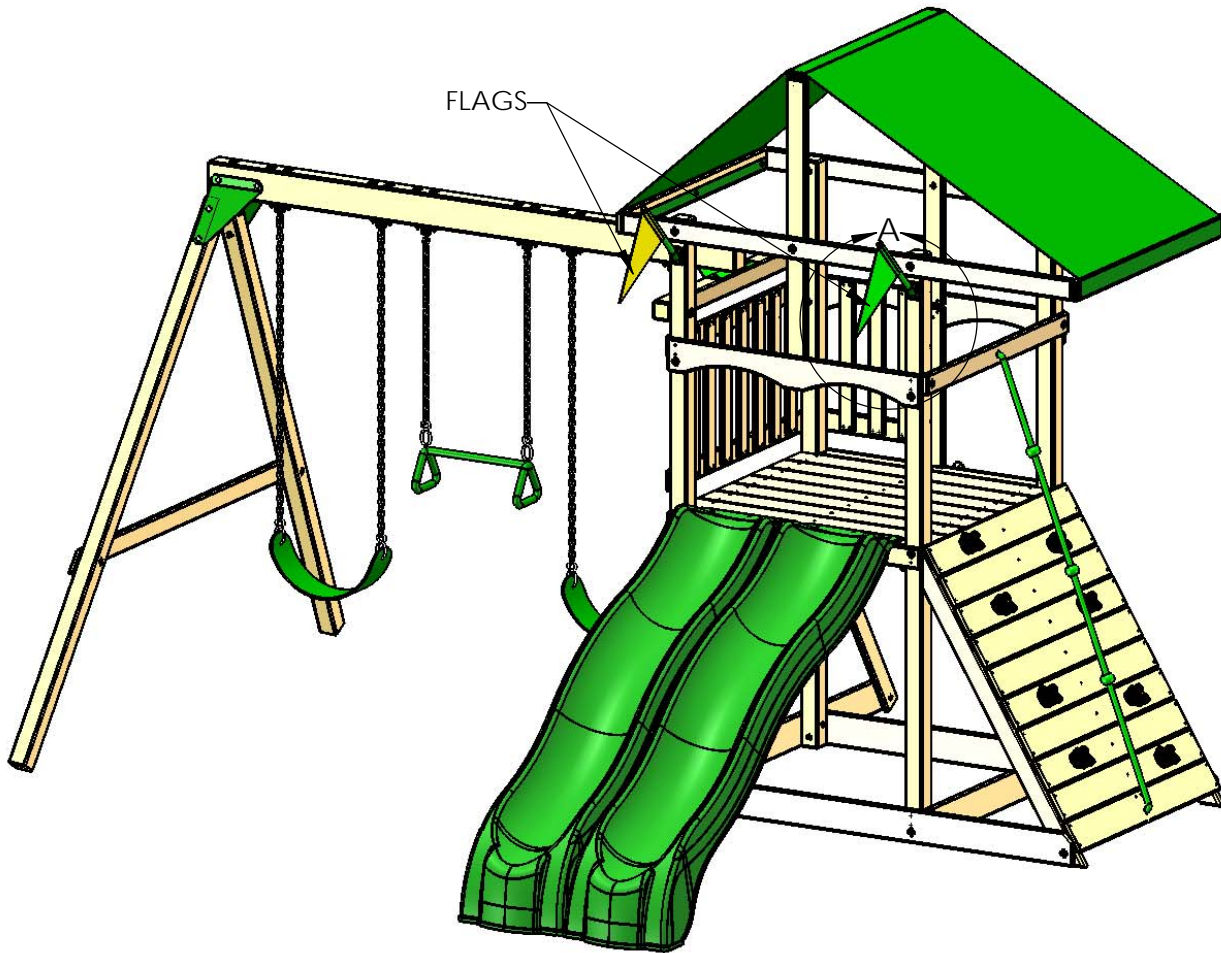
FOR SAFETY, ENSURE THAT THE ROPE IS TIGHT ENOUGH SO THAT IT CANNOT BE LOOPED BACK ON ITSELF.

KEEP TYING THUMB KNOTS AT THE BOTTOM END OF THE ROPE UNTIL THERE IS NO REMAINING LOOSE ROPE.

DO NOT CUT ENDS OF ROPE.

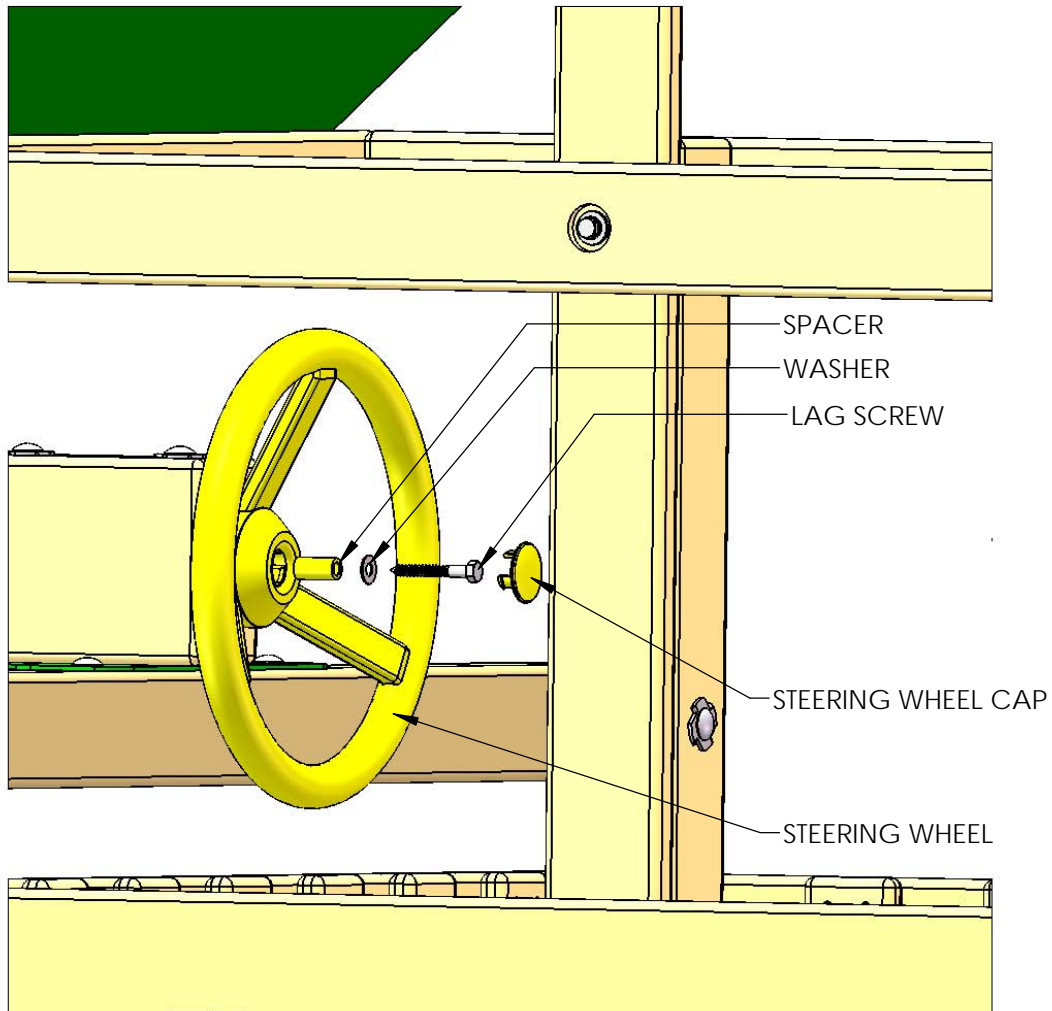
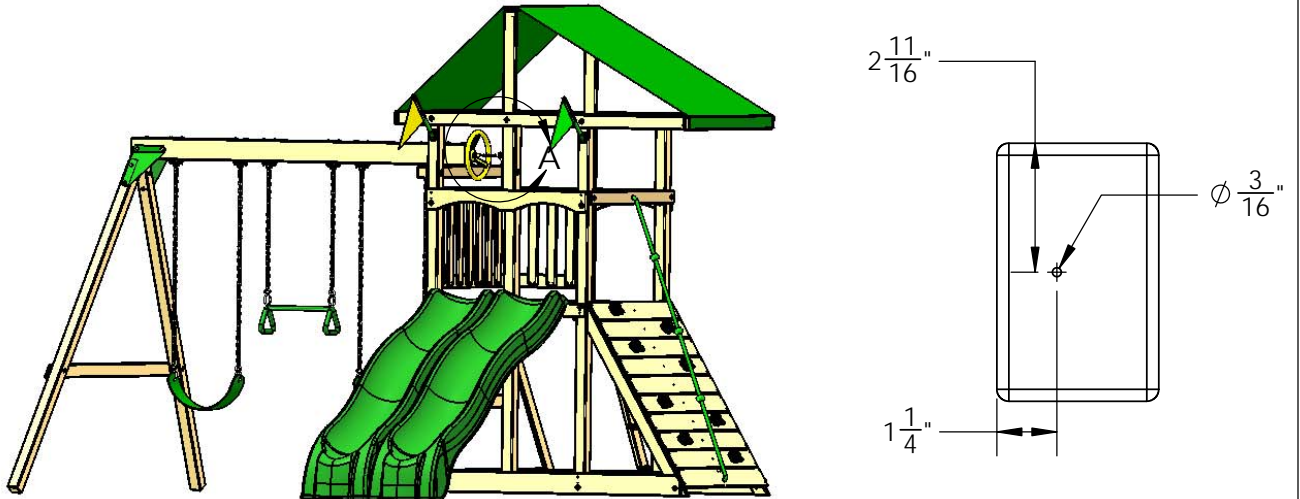
STEP 43: FLAG KITS

1: INSTALL THE FLAG KITS ON THE CORNER POSTS AT THE FRONT OF THE FORT. ATTACH THE FLAG KITS WITH THE HARDWARE PROVIDED.



STEP 44: STEERING WHEEL

- 1: DRILL A $\frac{3}{16}$ " DIAMETER HOLE BY 1" DEEP INTO THE END OF THE SWING BEAM AT THE DIMENSIONS SHOWN BELOW.
- 2: PLACE THE SPACER INSIDE THE STEERING WHEEL.
- 3: SECURE THE STEERING WHEEL TO THE END OF THE SWING BEAM WITH THE WASHER AND THE LAG SCREW PROVIDED.
- 4: SNAP THE STEERING WHEEL CAP INTO THE HUB OF THE STEERING WHEEL.

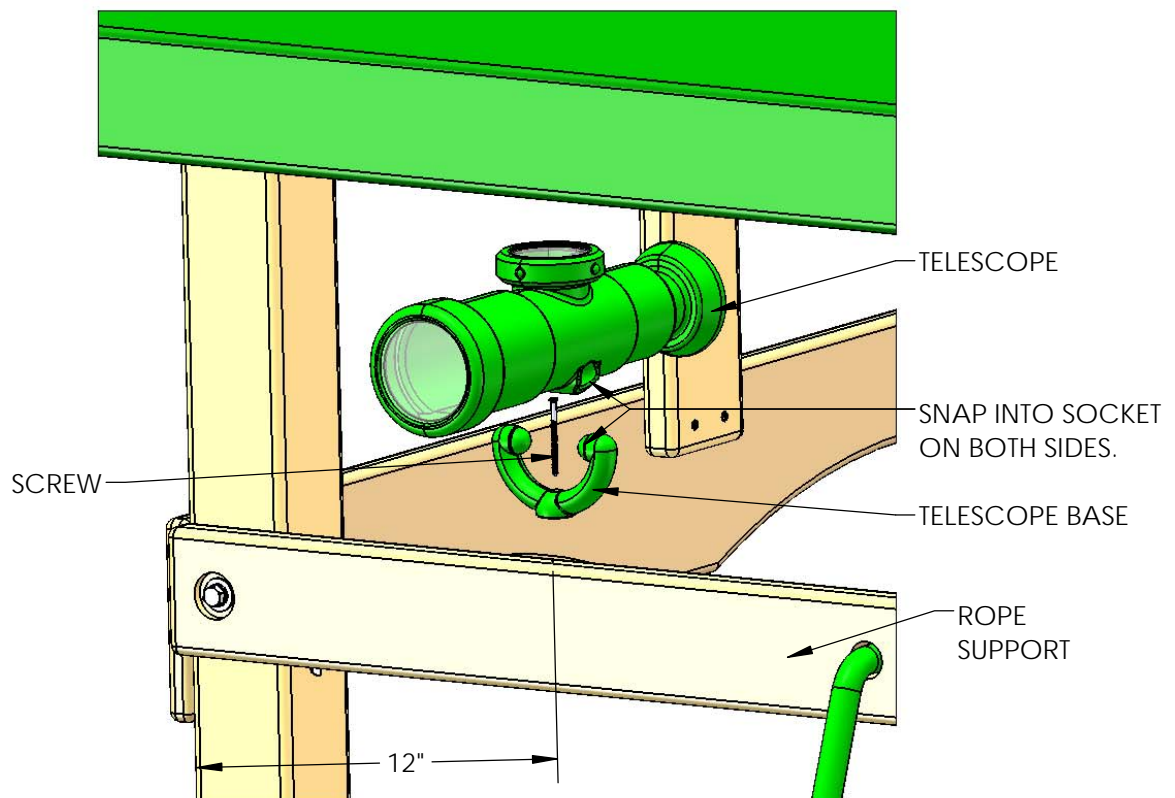


STEP 45: TELESCOPE

1: PLACE THE TELESCOPE BASE 12" AWAY FROM THE OUTSIDE OF THE FRONT CORNER POST.

2: CENTER THE TELESCOPE BASE ON THE ROPE SUPPORT AND ATTACH WITH SCREW. LEAVE THE SCREW A LITTLE LOOSE SO THAT THE BASE MAY ROTATE.

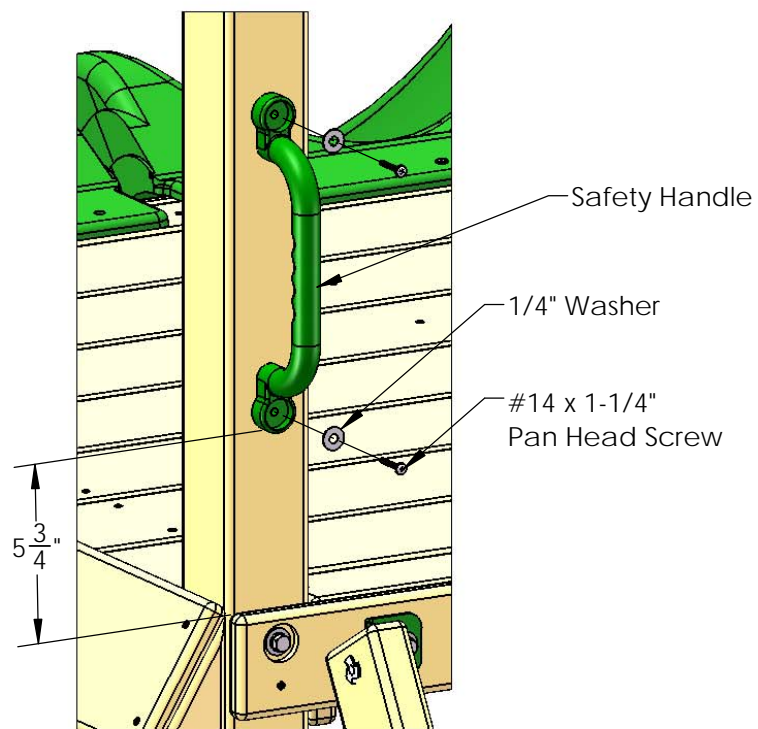
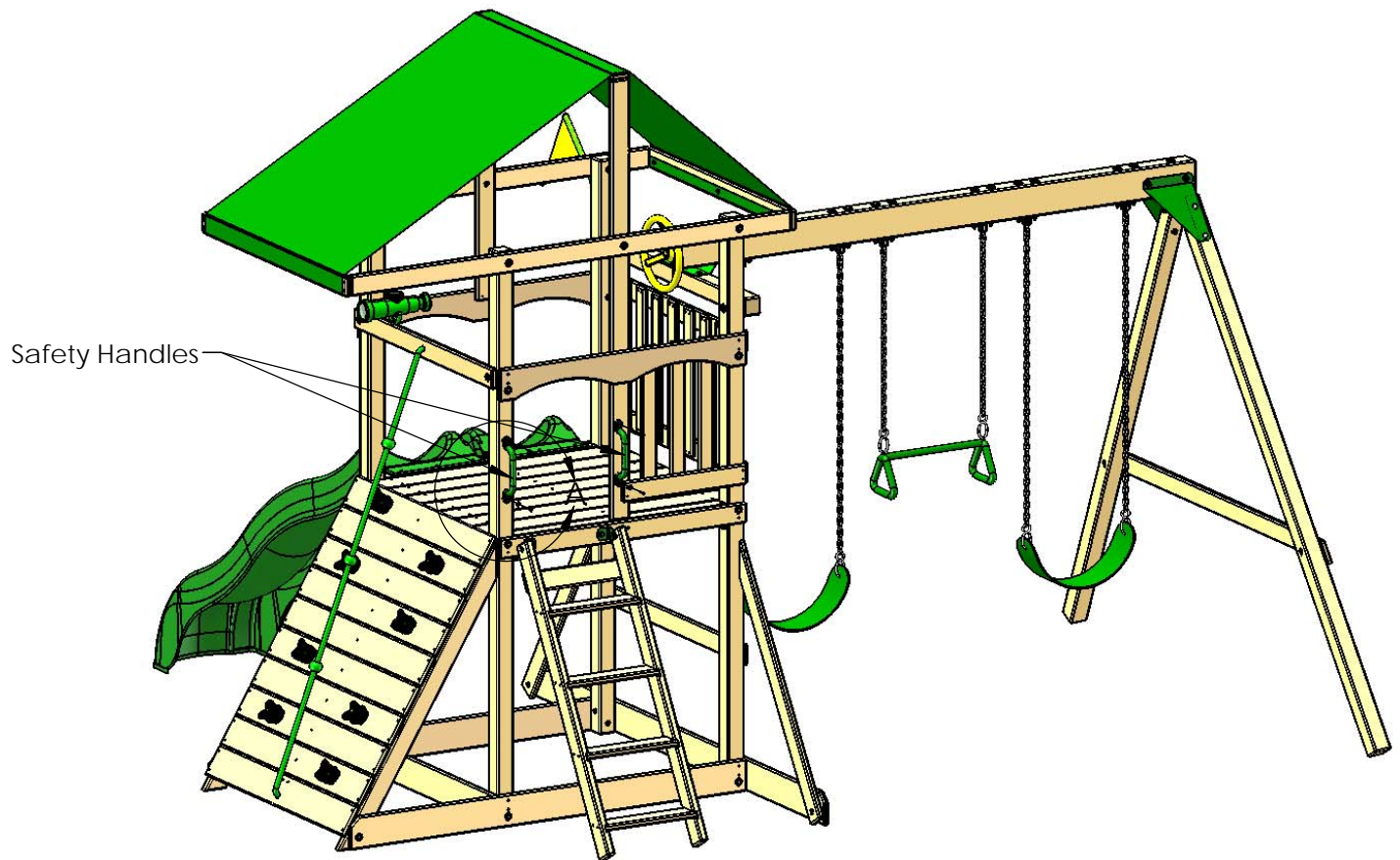
3: SNAP THE ENDS OF THE BASE INTO THE SOCKETS ON THE SIDE OF THE TELESCOPE.



DETAIL A

STEP 46: SAFETY HANDLES

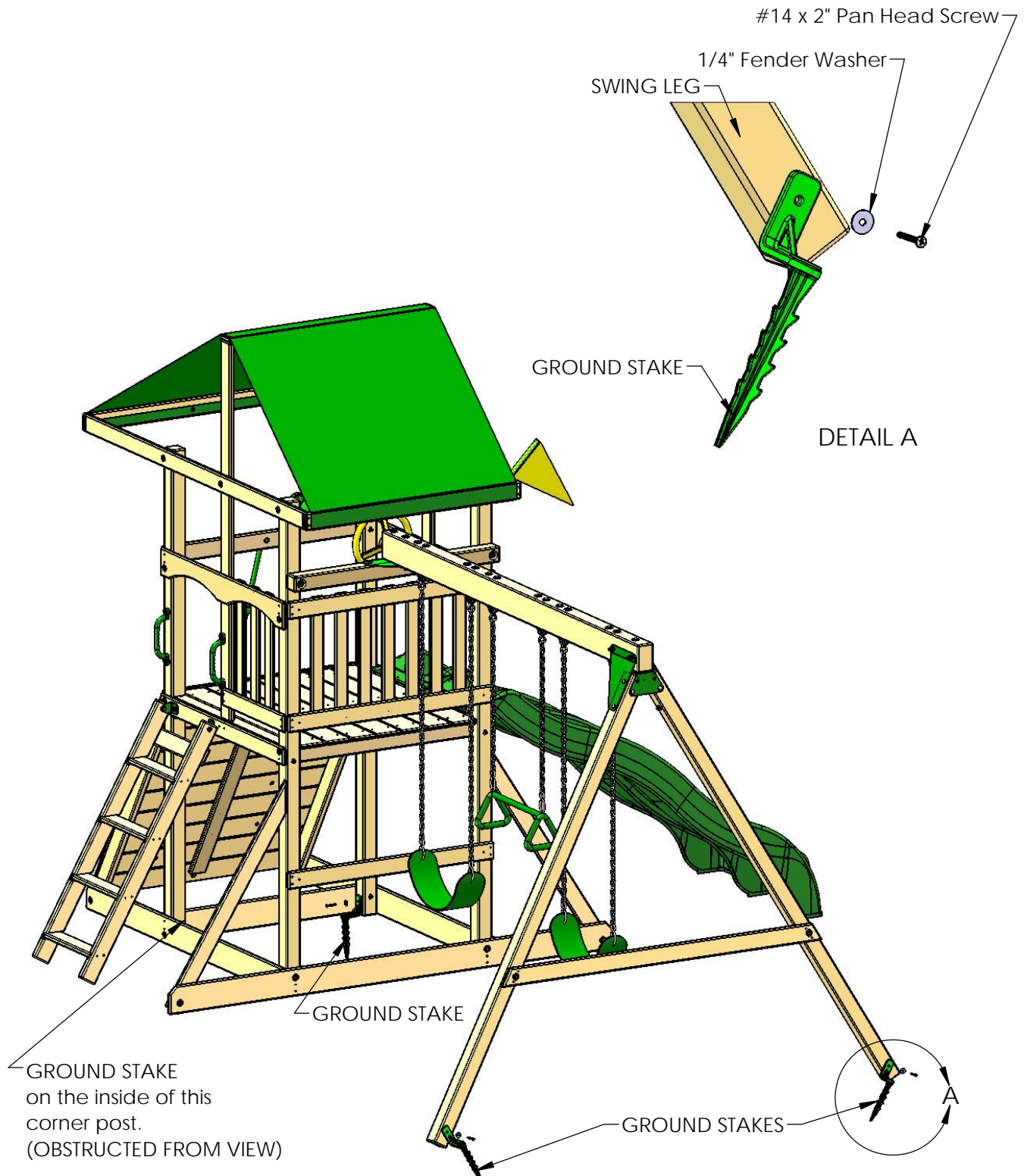
1: PLACE THE SAFETY HANDLES AS SHOWN. ATTACH THEM WITH THE HARDWARE THAT IS INCLUDED WITH THEM.



DETAIL A

STEP 47: GROUND STAKES

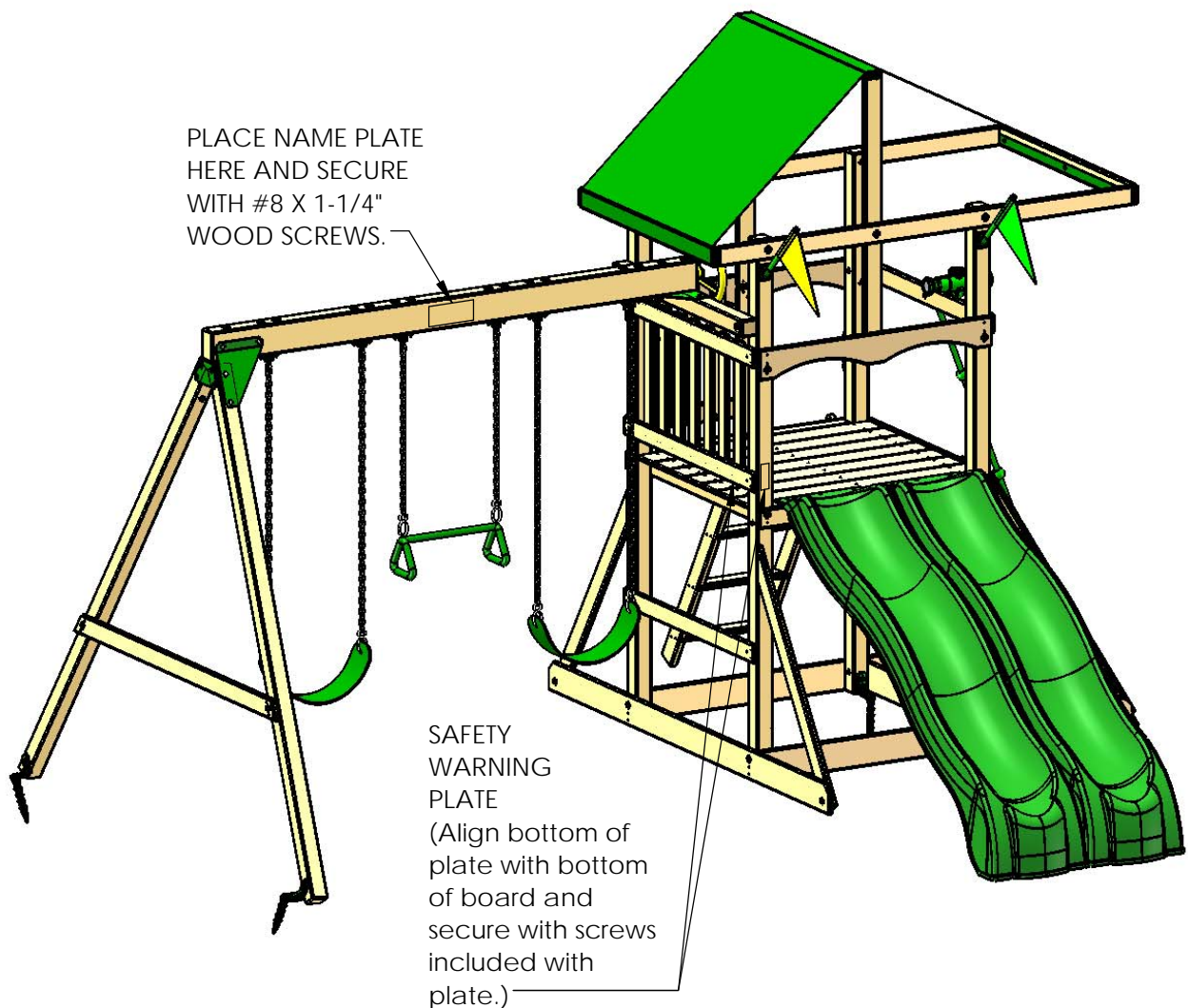
- 1: HAMMER A GROUND STAKE INTO THE EARTH NEXT TO EACH SWING LEG AT AN ANGLE. DO NOT HOLD THE UPPER PORTION OF THE STAKE.
- 2: ATTACH TO THE SWING LEG WITH THE HARDWARE PROVIDED WITH THE GROUND STAKE.
- 3: HAMMER A GROUND STAKE INTO THE EARTH NEXT TO EACH CORNER POST NEAR THE ROCK WALL SIDE. DO NOT HOLD THE UPPER PORTION OF THE STAKE.
- 4: ATTACH TO THE SWING LEG WITH THE HARDWARE PROVIDED WITH THE GROUND STAKE.



STEP 48: NAME PLATE/SAFETY WARNING PLATE

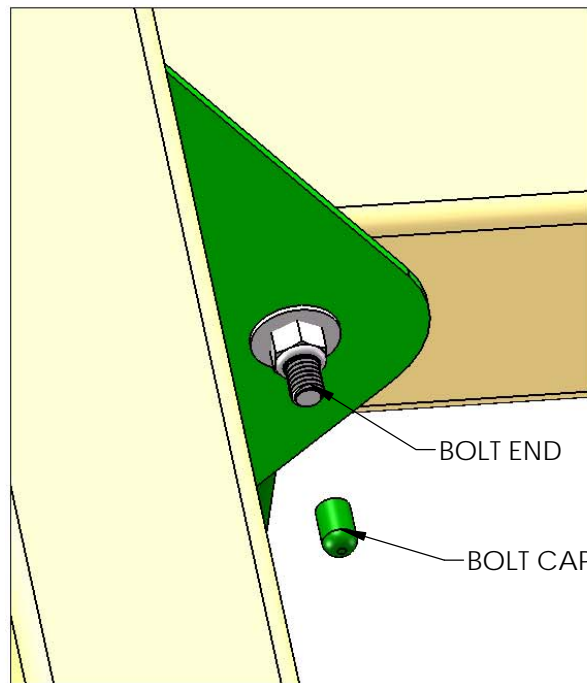
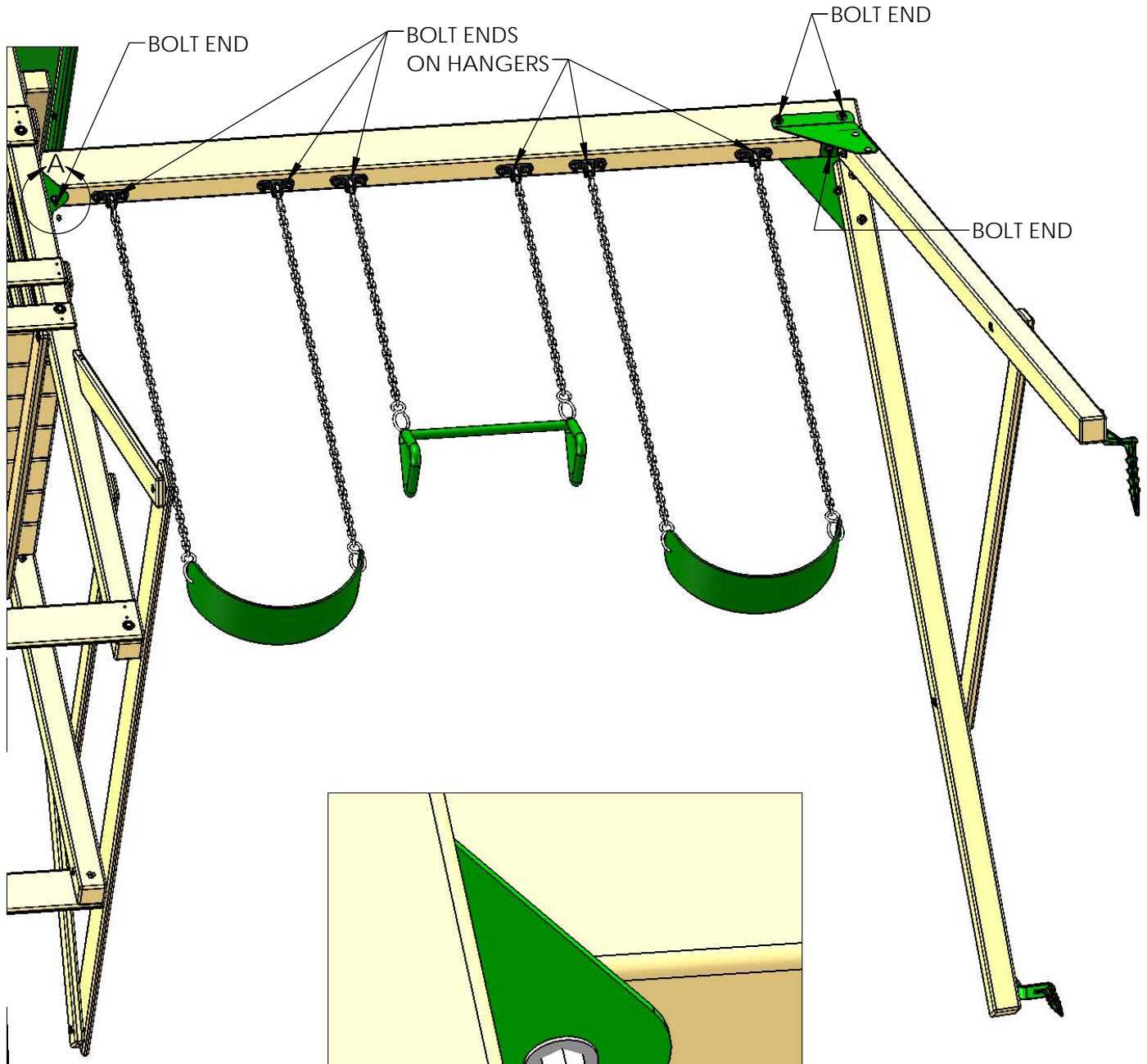
1: ATTACH THE ALUMINUM NAME PLATE CENTERED ON THE FRONT OF THE SWING BEAM WITH #8 X 1-1/4" WOOD SCREWS.

2: ATTACH SAFETY WARNING PLATE AS INDICATED WITH SCREWS INCLUDED WITH PLATE.



STEP 49: BOLT CAPS

1: IF A BOLT CAP MAY BE INSTALLED ONTO BOLT END AND IS NOT EASILY REMOVED THEN DO SO. IF IT IS EASILY REMOVED THEN DO NOT INSTALL.

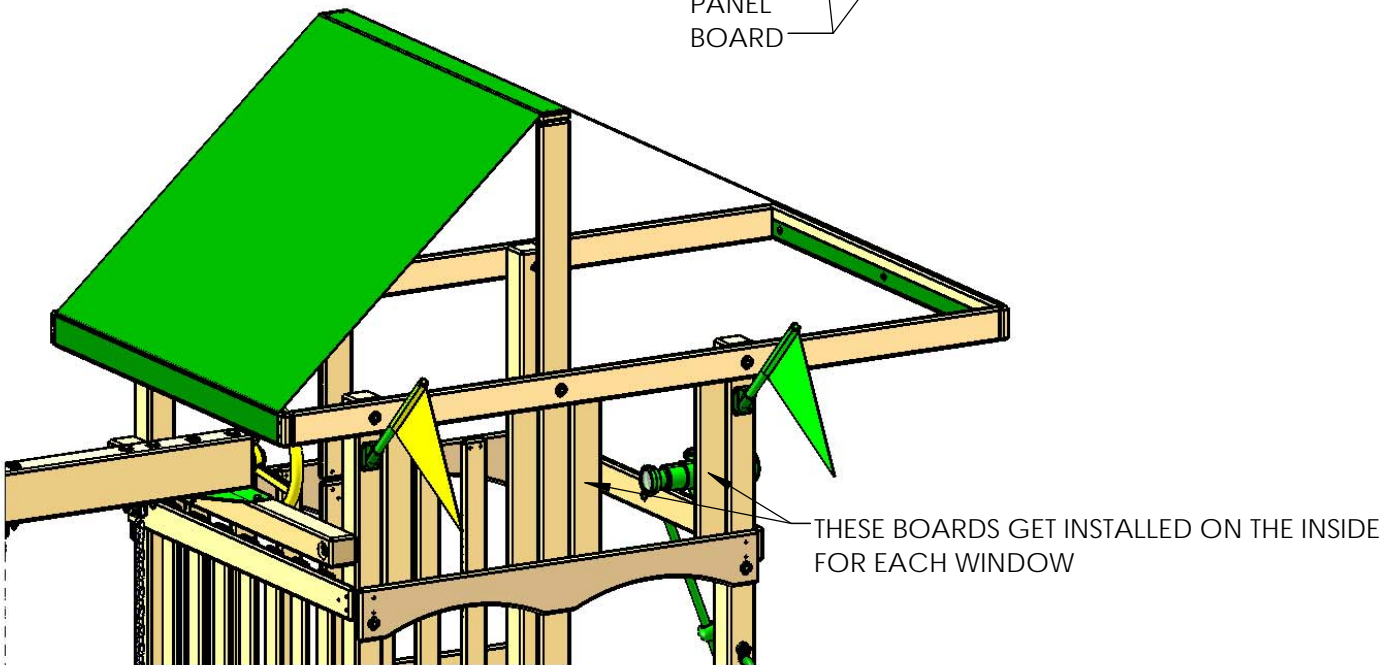
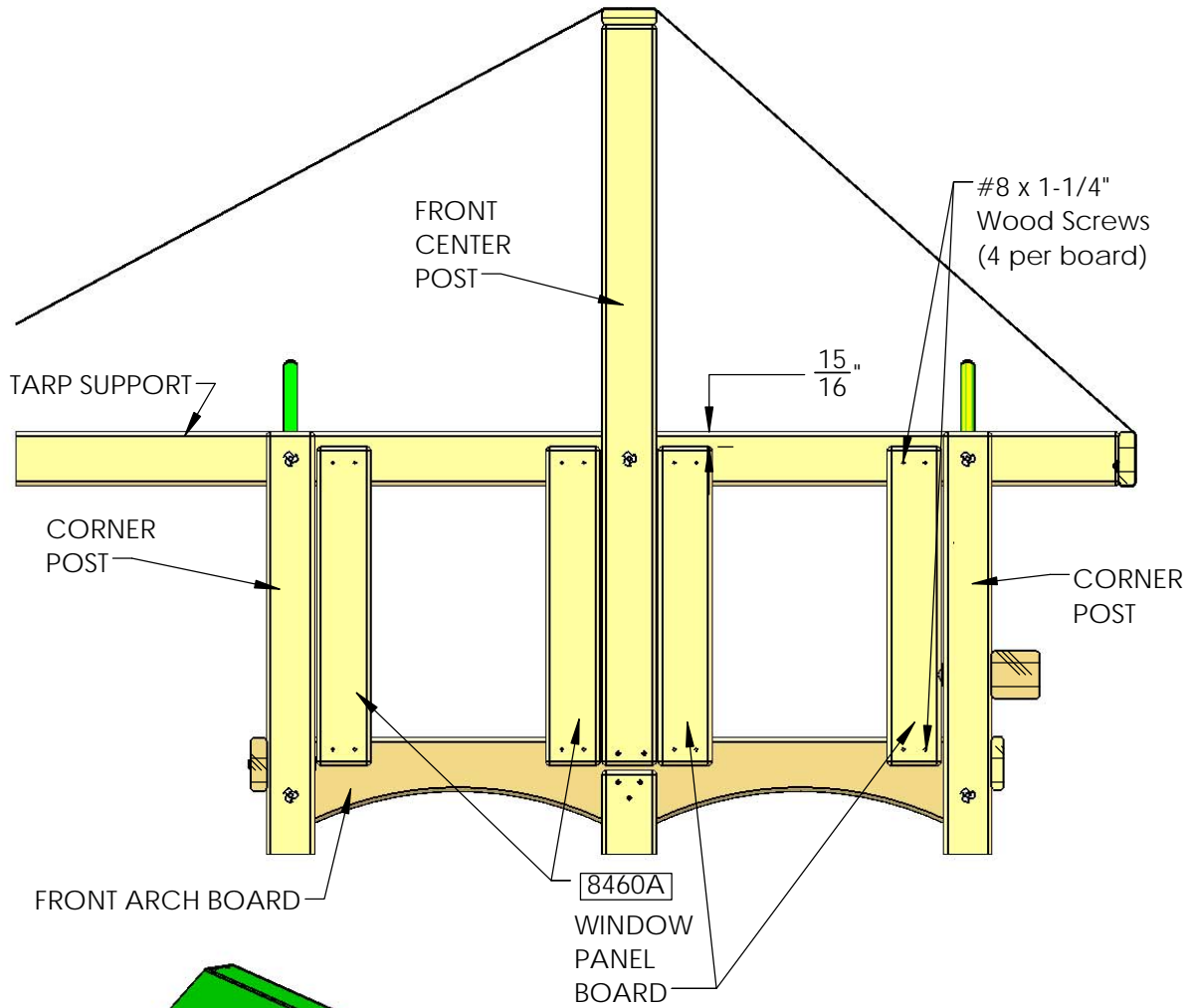


DETAIL A

STEP 50: WINDOW BOARDS

- 1: PLACE THE TOP OF EACH WINDOW PANEL BOARD 15/16" TO 1" DOWN FROM THE TOP OF THE FRONT TARP SUPPORT. EACH BOARD SHOULD BE FLUSH TO EITHER THE CENTER POST OR THE CORNER POST.
- 2: SECURE EACH WINDOW PANEL BOARD TO THE FRONT TARP SUPPORT AND THE FRONT ARCH BOARD AS SHOWN.

THIS IS A VIEW AS IF YOU WERE SITTING ON THE DECK WITH THE SLIDE IN FRONT OF YOU.



STEP 51 - TARP

1: CENTER EACH WINDOW OVER THE OPENING FROM SIDE TO SIDE. REST THE BOTTOM OF THE WINDOW ON TOP OF THE FRONT ARCH BOARD.

2: FASTEN EACH WINDOW TO THE WINDOW BOARDS AS SHOWN.

