

LifeRoom ONE Installation Manual



TABLE OF CONTENTS

LifeRoom ONE Roof & Frame...page 3

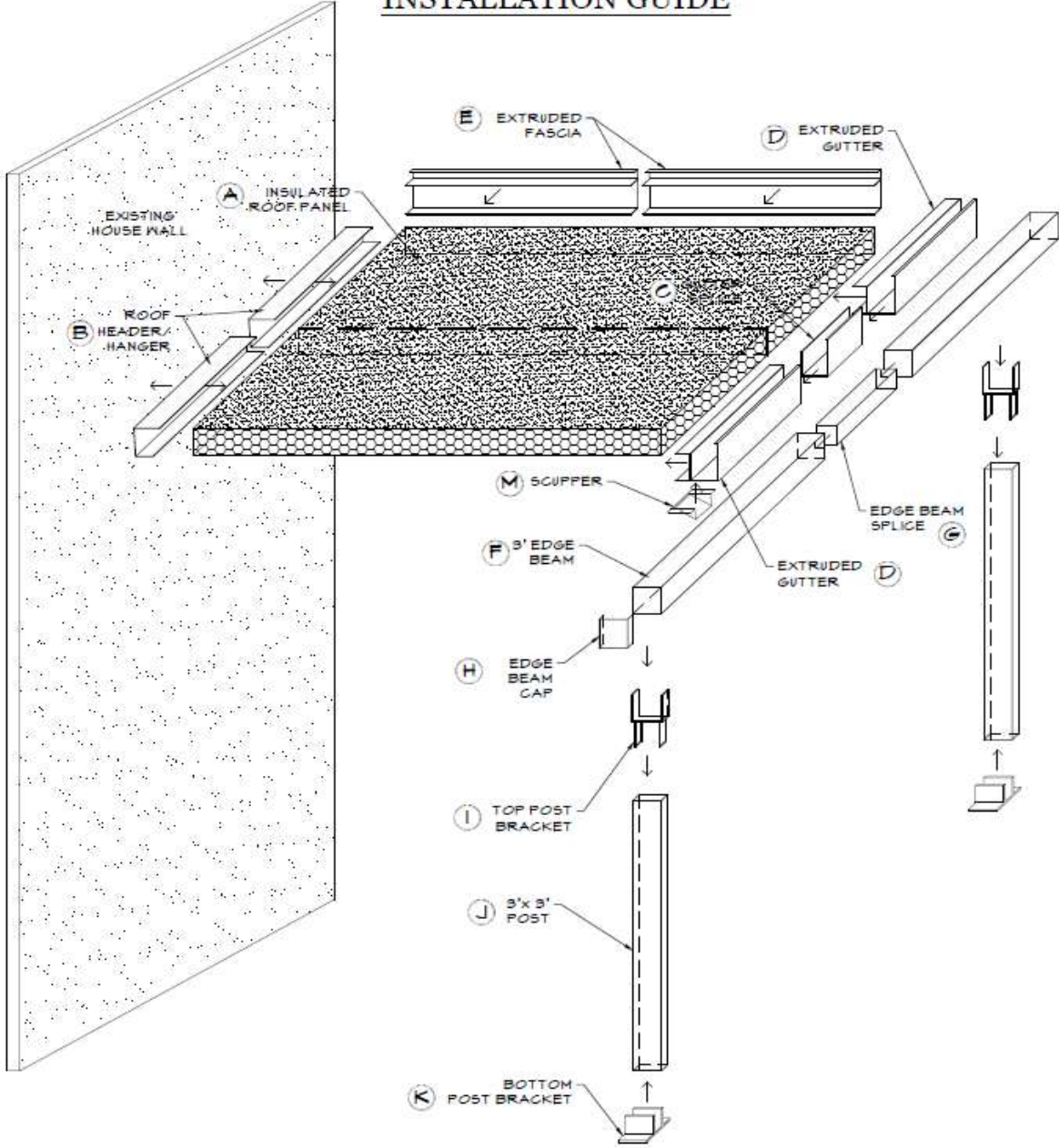
LifeRoom ONE Sidewall Framing...page 26

LifeRoom ONE Screen...page 30

LifeRoom ONE Installation Guide



INSULATED PATIO COVER INSTALLATION GUIDE

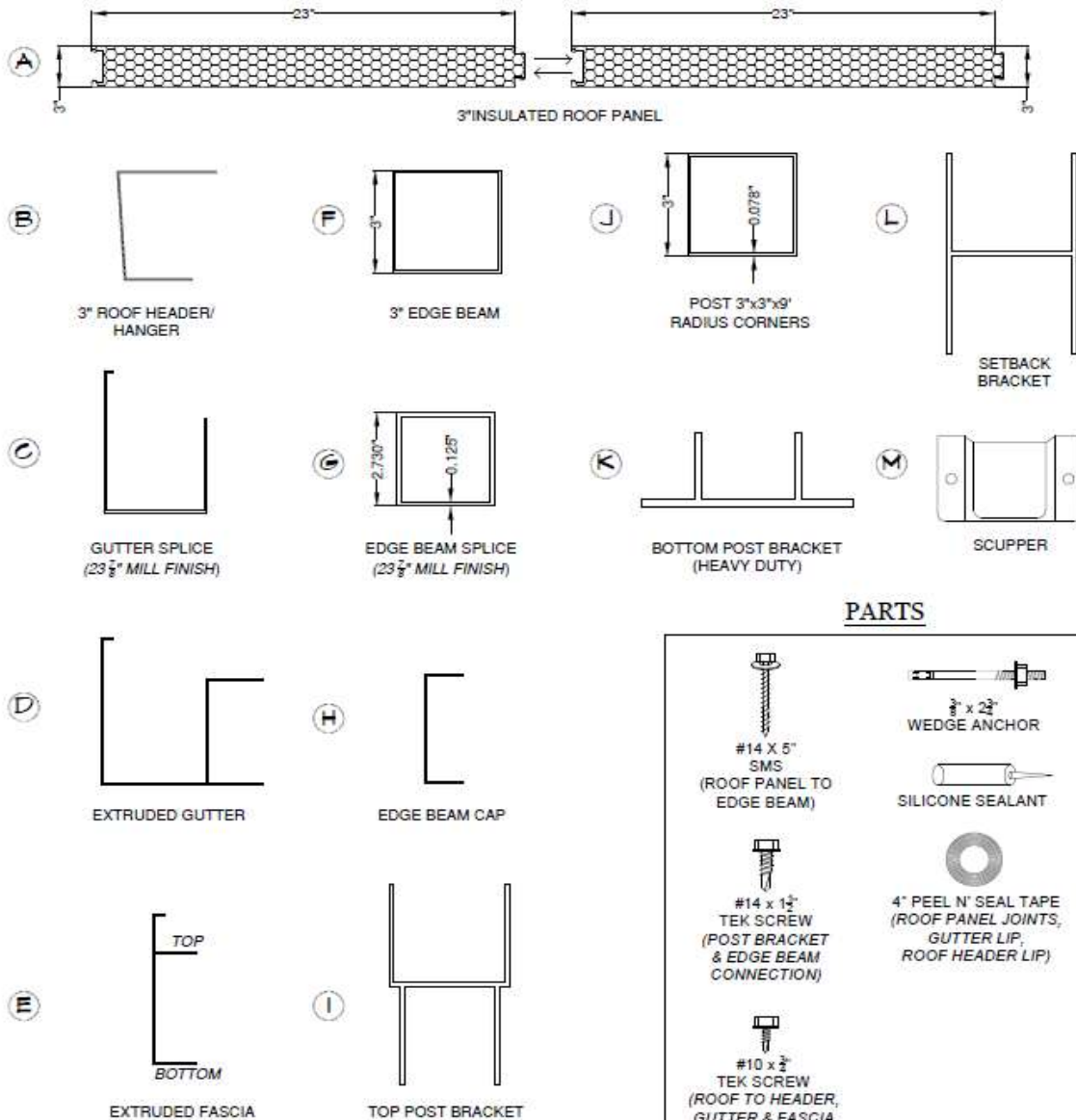


LifeRoom ONE Installation Guide

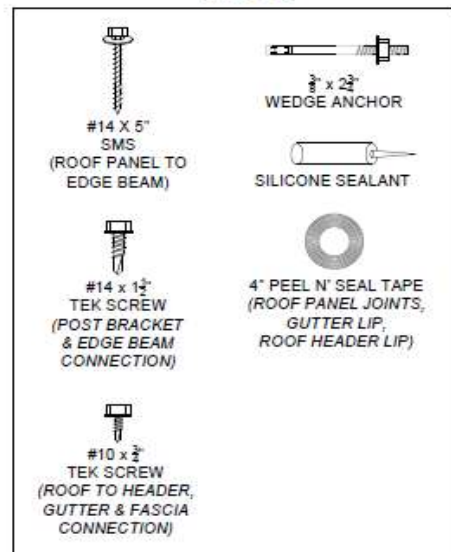


INSULATED PATIO COVER INSTALLATION GUIDE

COMPONENTS



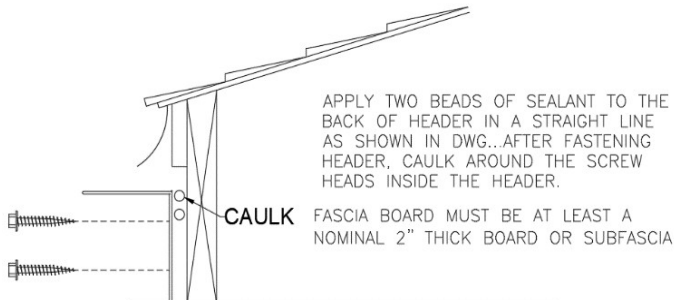
PARTS



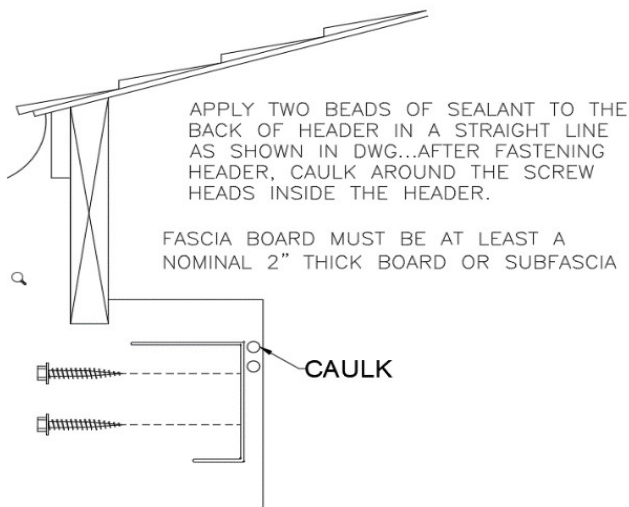
2 OF 2

LifeRoom ONE Installation Guide

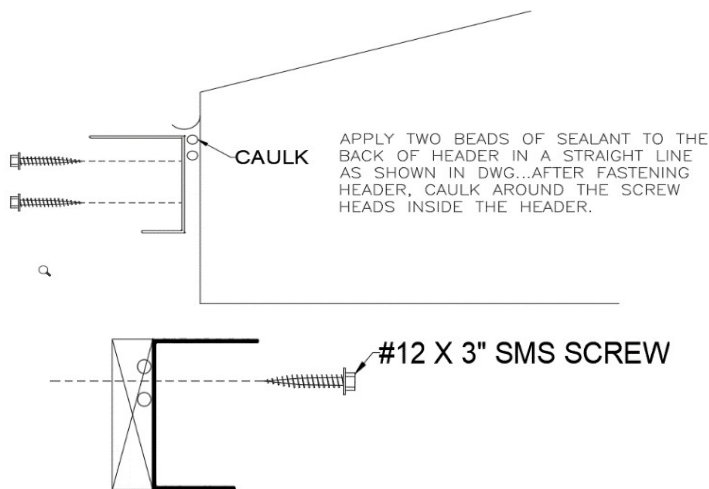
OPTION #1 HOUSE FASCIA



OPTION #2 HOUSE WALL



OPTION #3 MANUFACTURED HOME

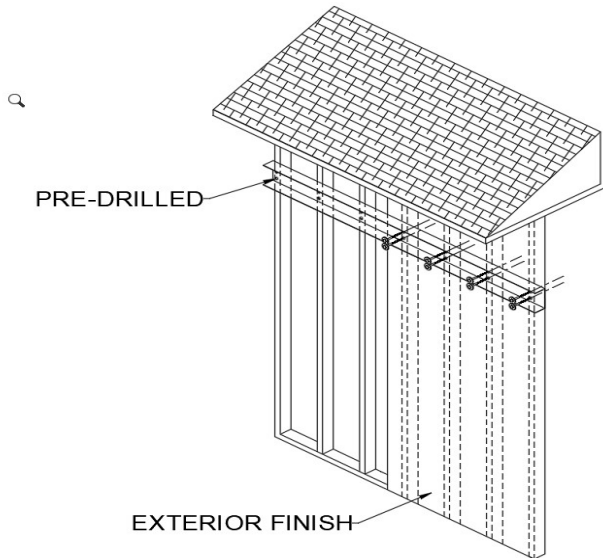


STEP #1: Installing Roof Header (#B)

- A Select which attachment method OPTION #1, #2 or #3. (**NOTE:** if mounting to a masonry wall the anchors are NOT INCLUDED)
- B Select the area on wall or fascia for the Roof Header #B. Using a chalkline, snap a level line.
- C **NOTE:** roof panels must have a Minimum of 1/2" per foot slope for the length of your roof panel for water drainage. If you can get more pitch DO IT.
- D If attaching per OPTION #1, mark on the fascia board the location of your roof truss ends...if OPTION #2 mark on the wall the location of your wall studs.
- E Hold up the **Roof Header(#B)** and transfer the marks of the truss ends or wall studs to the back side of the Roof Header near the top.
- F At each mark, drill a 3/16" hole through the back side of roof header 1/2" down from the top
- G Run a bead of sealant in a straight line above the predrilled holes near the very top edge and then run a second bead in a straight line directly under the predrilled holes
- HI Set the **Roof Header #B** against Fascia board and fasten using the #12x3" sms screws thru the fascia board into the truss ends. Go back and predrill a second 3/16" hole that will line up to hit the truss end and the predrill a 3/16" hole centered between each truss location.

LifeRoom ONE Installation Guide

Make sure to have 2 screws within 4" of each end of the Roof Header



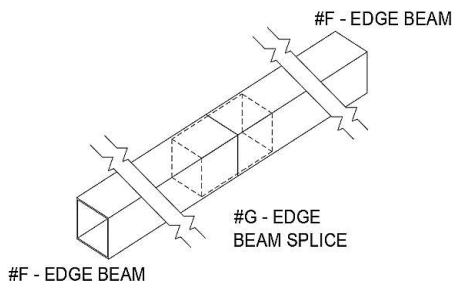
H2 If mounting to House wall OPTION #2 or #3,

After predrilling and caulking the **Roof Header(#B)**, Set the Roof Header against the Wall and fasten using the #12x3" sms screws thru the wall into the wall studs. Go back and predrill a second 3/16" hole that will line up to hit the wall studs. Fasten to the wall studs.

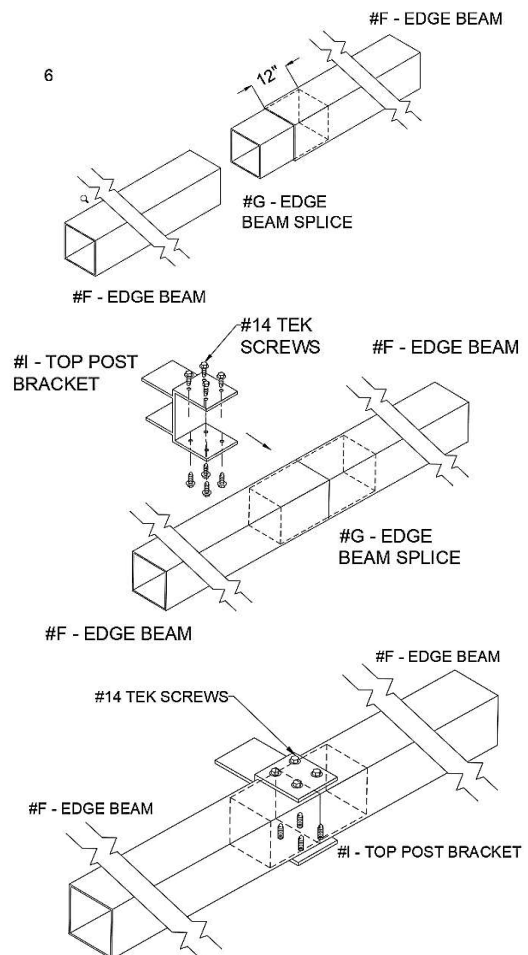
G After Roof Header is fastened, caulk around all the screw heads inside the header AND check top side and caulk spots if it did not squish out upward behind the Roof Header

STEP # 2A : 3" EDGE Single Beam Preparation (#F)

- A Set two pieces of the **3" Edge Beam (#F)** on a smooth flat surface (careful not to scratch)
- B Mark the **Edge Beam Splice (#G)** at 12" & slide into one Edge Beam (#F) to the 12" mark. Then slide the second Edge Beam over the splice and butt up against the first Beam.

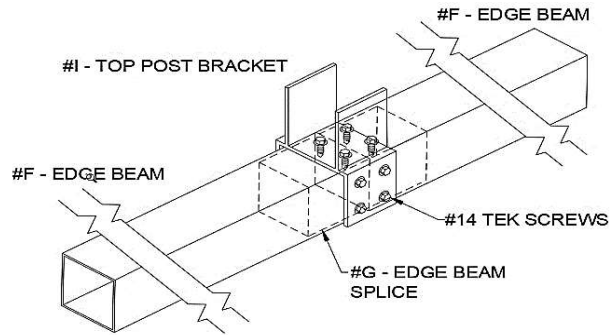


- C Take one **Top Post Bracket (#I)** and center it over the butt joint of the two **Edge Beams**. Fasten using **(2)two #14x1-1/4" teks screws** through the face of the Top Post Bracket, into one Edge Beam then into the Beam Splice(#G)



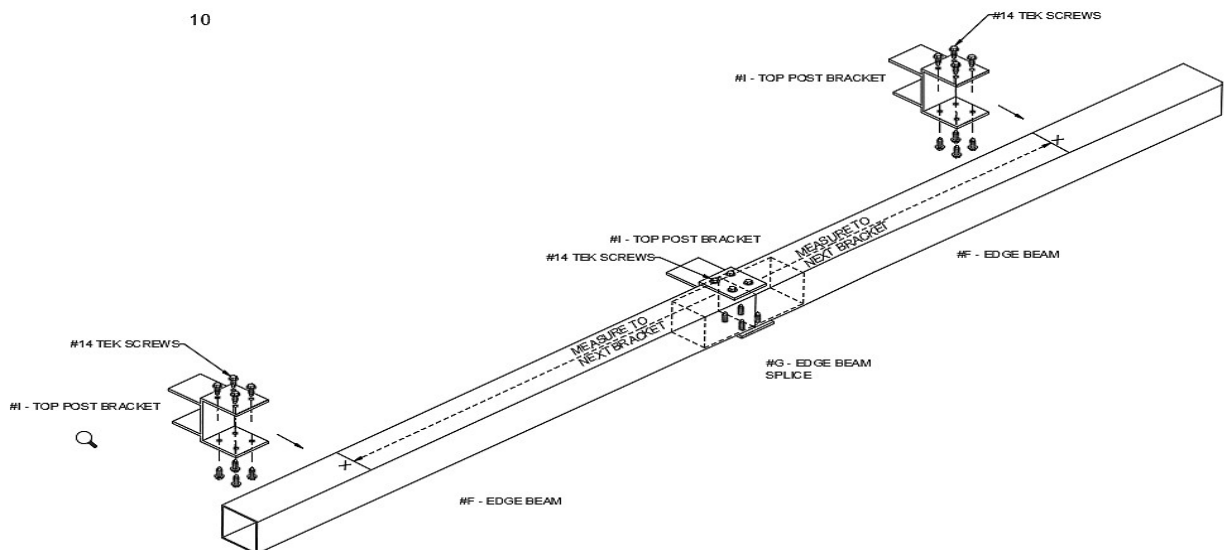
LifeRoom ONE Installation Guide

- D Make sure both halves of the beam are straight, then fasten through the Top Post Bracket into the **second Beam** then into the Beam Splice using **(2)two #14x1-1/4" tek screws**
- E Rotate the beam over twice, make sure the beam is straight, then fasten repeating steps C&D fastening through the Top Post Bracket(#1) into both Edge Beams & the Beam Splice(#G)
- F Rotate the beam over one time so the **Top Post Bracket** legs are up, then fasten **(2)two #14x1-1/4" tek screws** into each 3" Edge Beam (4 total)



- G Rotate the beam one time. Butt measuring tape to the Top Post Bracket(#1) & measure to the left ___" then move measuring tape to the other side of bracket and measure to the right ___"
- NOTE:** refer to the **LAYOUT SHEET** for your size S.I.P. Patio Cover Top Post Bracket spacing measurements

10



- A **STEP 2B: Double Beam Preparation & Assembly**
Follow & Complete STEP # 2A : 3" EDGE Beam Preparation STEPS A through G.

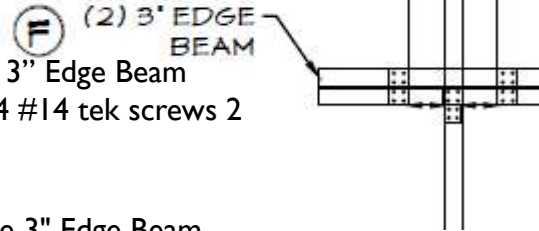
LifeRoom ONE Installation Guide

Find the 8 "Setback Brackets."

Measure and place a pencil mark on the prepared 3" Edge Beam, 6" from each side of the Top Post Brackets (I).

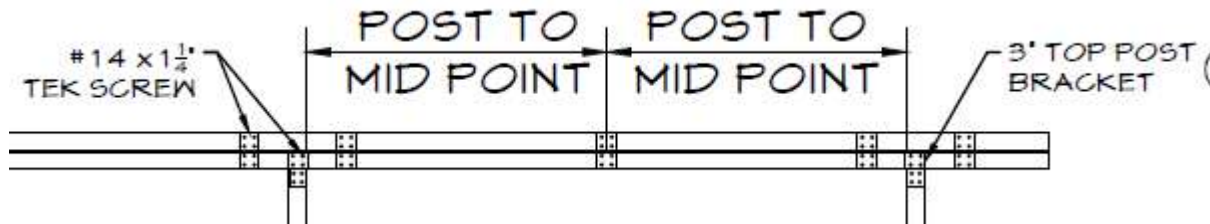
6" FROM POST
TO SETBACK
BRACKET

Set the brackets on the top side of the prepared 3" Edge Beam at the 6" pencil mark and fasten each side using 4 #14 tek screws 2 on each side.



6 Setback Brackets should now be fastened to the 3" Edge Beam.

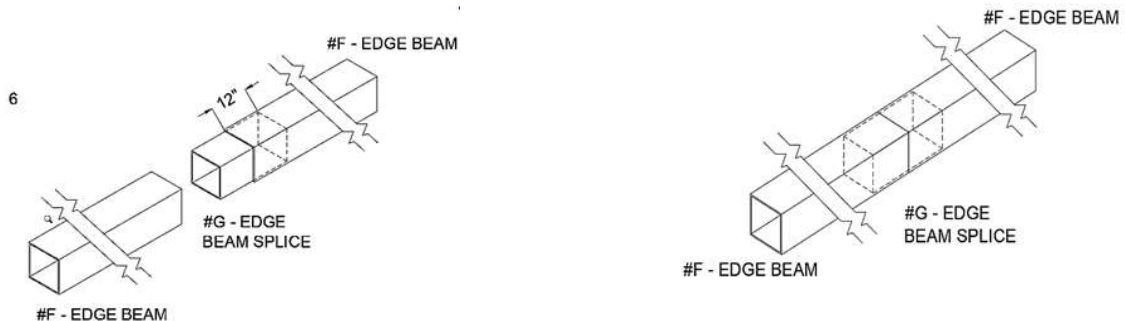
Measure between the Top Post Brackets and mark the midpoint on the 3" Edge Beam.



Center the Setback Brackets on the pencil mark and fasten using 4 #14 tek screws on each side.

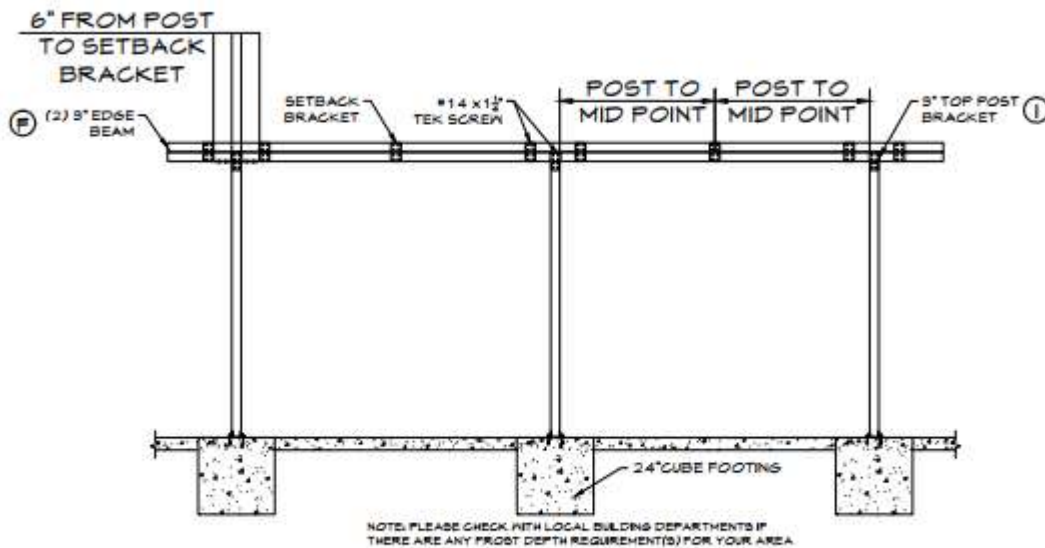
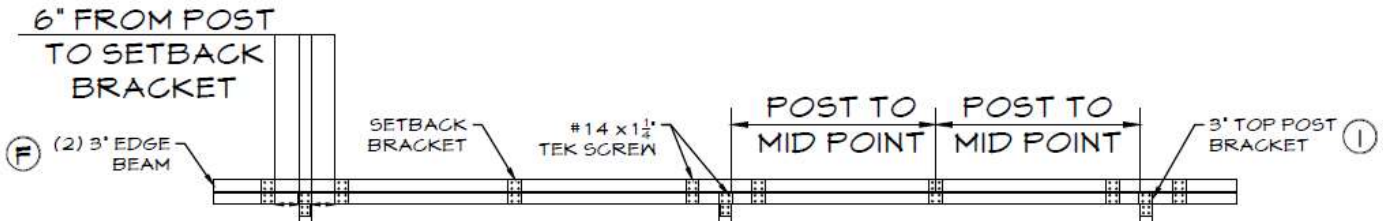
Set two pieces of the 3" Edge Beam (#F) on a smooth flat surface (being careful not to scratch it).

Mark the Edge Beam Splice (#G) at 12" & slide into one Edge Beam (#F) to the 12" mark. Then slide the second Edge Beam over the splice and butt up against the first Beam.



LifeRoom ONE Installation Guide

Insert this second 3" Edge Beam into the top of the Setback Brackets. Make sure the ends of both 3" beams are lined up. Fasten the Double beam to the Setback Brackets using 4 #14 tek screws each side.



FRONT VIEW

SCALE : $\frac{1}{4}" = 1'-0"$

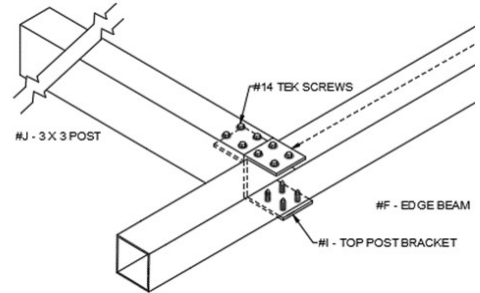
STEP # 3 : Measuring, Leveling, Cutting, Fastening 3 x 3 Posts(#J) Radius Corners to Edge Beam(#F)

NOTE: the bottom of the 3" Edge Beam(#F) should never be lower than 80 inches

Place a Level on **Front Edge** of slab to determine which is the **LOW Side** (the left side or the right side). After determining the **LOW Side**, measure from slab up to the **bottom of the Roof Header (#B)** on that **LOW side**

LifeRoom ONE Installation Guide

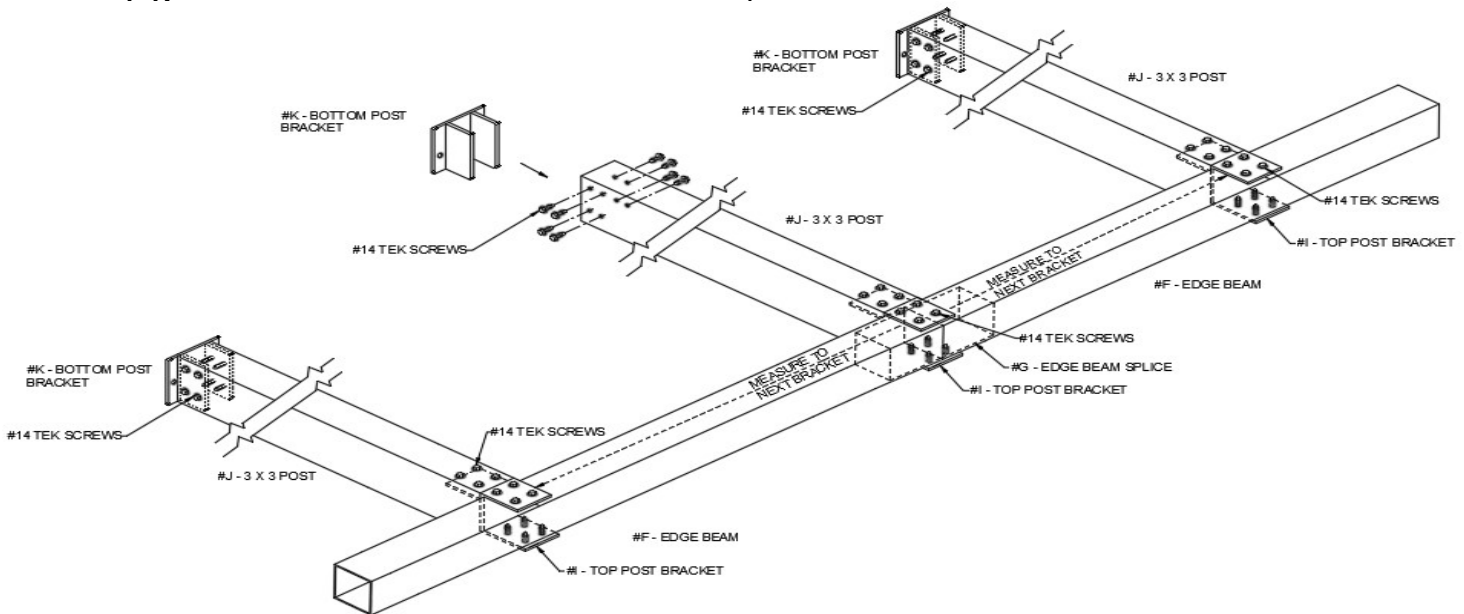
- B** **Subtract 3-1/2 inches** from your measurement **AND *1/2" per ft** of your roof panels (*minimum) if your roof panels are 10ft = **5"** ... if roof panels are 12ft = **6"** *if you can get more pitch do it*
Example: if you bought a 12ft deep x 22ft wide LifeRoom ONE:
 and you measured 98 inches to the bottom of Roof Header - $98" - 3-1/2" = 94-1/2"$
 then $94-1/2" - 6" = 88-1/2"$)
- C** **Example =** Cut your first post to 88-1/2 inches long
- D** Slip YOUR first post tightly over the **Top Post Bracket(I)** fasten through the post into the internal bracket leg using (4) **four #14 x 1-1/4" tek screws** evenly spaced on both sides
- E** Place a Ladder at the first End Post for Person #1. place second ladder near the opposite end for person #2. Stand up the attached Post and Front Edge Beam assembly while person #2 is holding the Front Edge Beam **LEVEL** & holding a **POST** against the Edge Beam



- F** Person #1 tells person #2 to **Raise or Lower** the **3x3 Edge Beam** to **get it level**. When it is level, person #2 will **Mark** along the bottom to the beam onto the post. **Cut the post under the line marked. Repeat STEP "3-D"** to **fasten** the **Post(#J)** to the **Edge Beam(#F)**
- G** Using ladders and or your building buddies, hold the assembly of the 2 posts and Edge Beam upright. Then double check to **make sure the Edge Beam is LEVEL**. If it is not LEVEL, then cut one of your posts to make that adjustment.

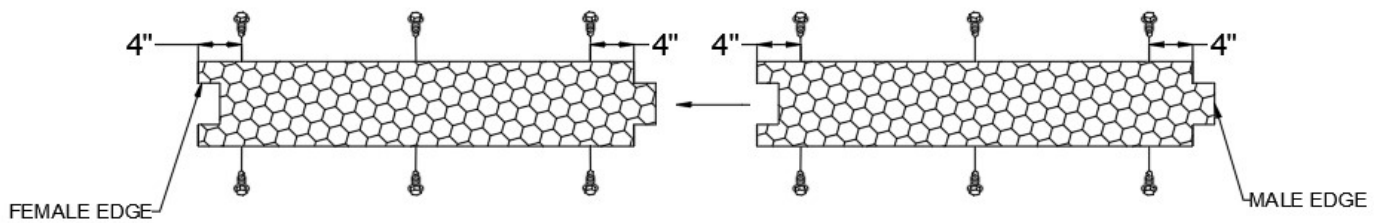
LifeRoom ONE Installation Guide

- H Once the Edge Beam assembly is LEVEL, take a third post, hold it against the Edge Beam in the center location near the Top Post Bracket(#I), mark a line on the post along the bottom of the beam. **Cut the post above the marked line.**
Repeat STEP "3-D" to fasten the Post(#J) to the Edge Beam(#F)
- I If you have more than 3 posts...**Repeat STEP "3-H" for any remaining posts**
- J **Laydown the Edge Beam and Post Assembly. Insert the Bottom Post Bases(K) into the bottom of each Post(#J). Fasten through the side of posts into the internal legs of the bottom base with (4)four #14 X 1-1/4" tek screws both sides of posts.**



STEP #4 Setting First and Last WeatherStopper INSULATED ROOF PANELS(#A)

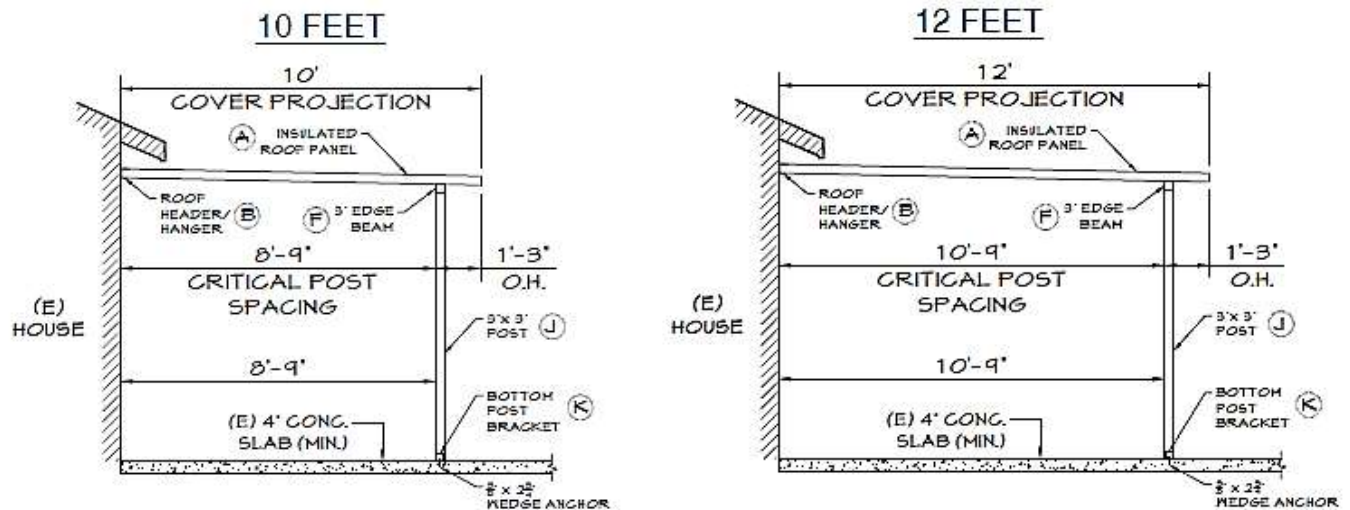
NOTE: keep ALL FASTENERS in all roof panels 4" AWAY from all Male & Female panel seam edges. Don't lay roof panels on ground flat, set standing up with male edge down



- A Carefully unpack and lift out two roof panels. Set one panel standing up with the MALE EDGE down on saw horses if you have them. Pull off the protector foam inserts along the female edge. Peel off the clear protective film off the aluminum skins on both sides of the roof panels. Carefully set panels aside.

LifeRoom ONE Installation Guide

- B See dwgs below, **measure and Mark the REAR SIDE of Post locations**. If you have **10ft roof panels measure/mark 8'-9"** or if **12ft roof panels measure/mark 10'-9"**. Mark post locations out from house wall for the first and last post....then pop a chalkline connecting the first and last marks.
****These post measurements are critical for future installation of Rolldown LifeScreens**

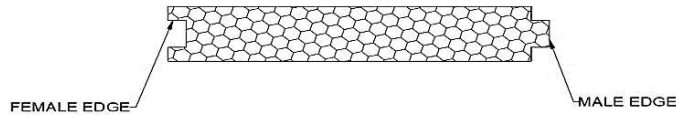


- C **Stand up the Edge Beam and Post Assembly** tying to ladders or with a few building buddies. Square up the **left end of the Edge Beam** with the **left end of the Roof Header** on the house
Set the posts in front of your post chalkline

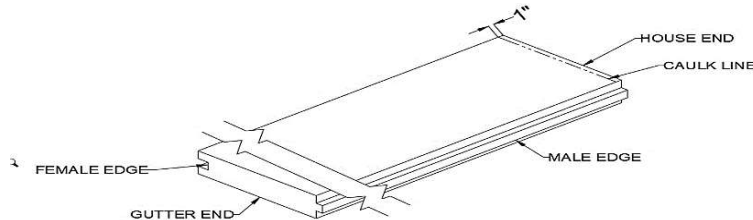


LifeRoom ONE Installation Guide

- D Cut open a tube of sealant and load into caulking gun. Set ladder at house side, left end of Roof Header. Looking from backyard at the house, **have the FEMALE EDGE of ROOF Panel to the LEFT side. Look at both sides of the panel for any dents...** if there is a dent or ding you can **flip the panel so the dent will be on the TOP** of the S.I.P. Patio Cover.

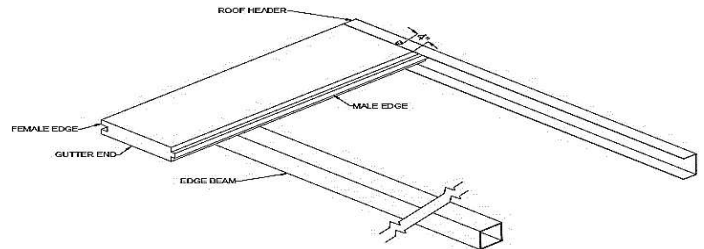
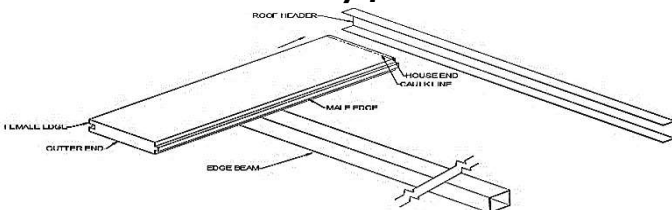


- E On the **HOUSE end of the ROOF PANEL, on the TOP side**, squeeze out a 1/4" bead of sealant on the Aluminum skin **ACROSS the 23" direction staying 1 inch away from the REAR edge of the panel**



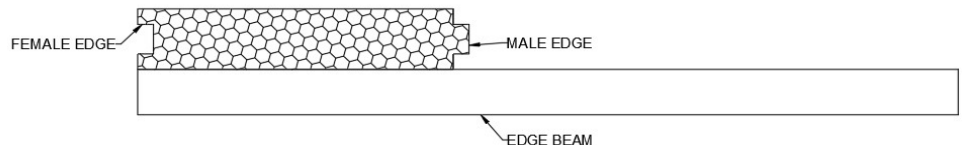
- F Use the cardboard end caps from roof panels or a towel and set on top of beam to protect roof panels from scratching.
- G Slide the gutter end of panel over the 3x3 Edge Beam... **then slide Roof Header end of panel into the Roof Header until it hits.**
- H Set the Female edge of roof panel even with the LEFT edge of Roof Header. Set a Framing Square inside the roof header and align with MALE Edge of panel.

Adjust the panel so it is square with the framing square. FASTEN down through top side of ROOF HEADER into the roof panel 4" away from the MALE edging using the #10 tek screw(stay 1 inch back from front leg of Roof Header)...recheck Roof Panel is Square and fasten a second screw 4 inches away from the FEMALE side



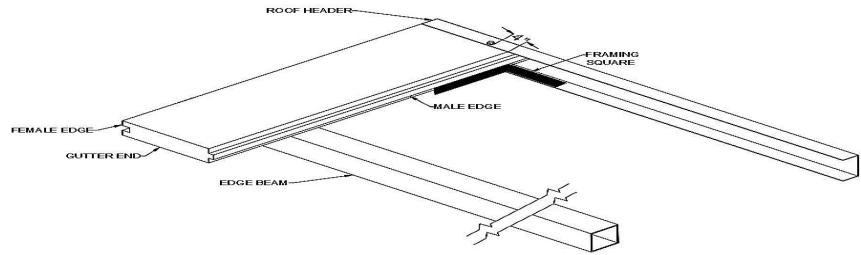
- I Slide post and beam assembly so the left end of the 3x3 Edge Beam is even with the left female edge of the roof panel.

RECHECK the roof Panel is SQUARE & adjust Edge Beam to be even to left FEMALE edge of roof panel

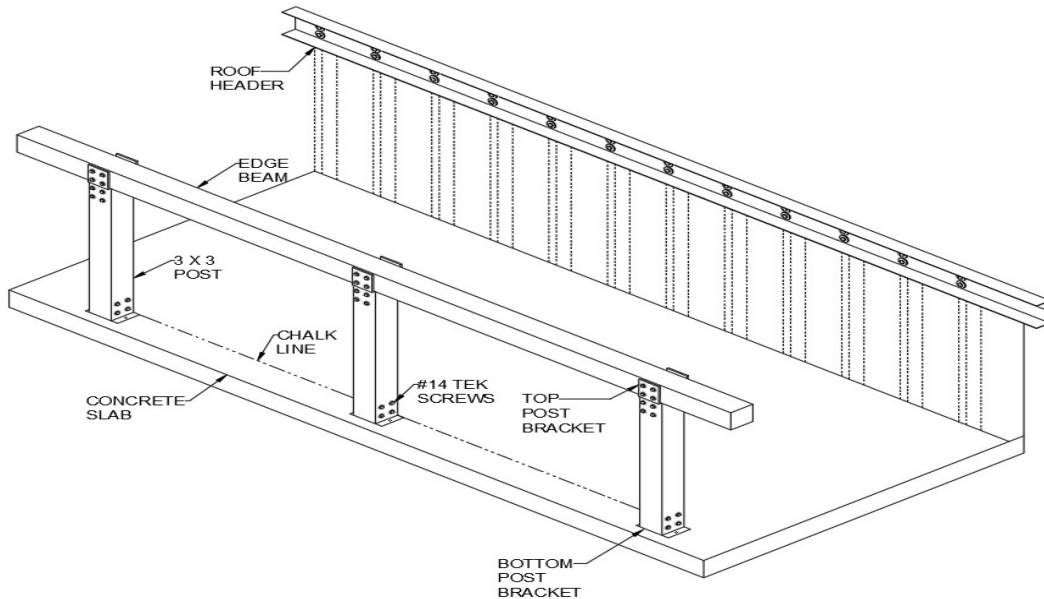


LifeRoom ONE Installation Guide

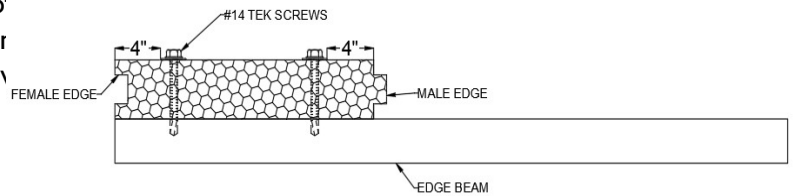
Check Roof panel is SQUARE



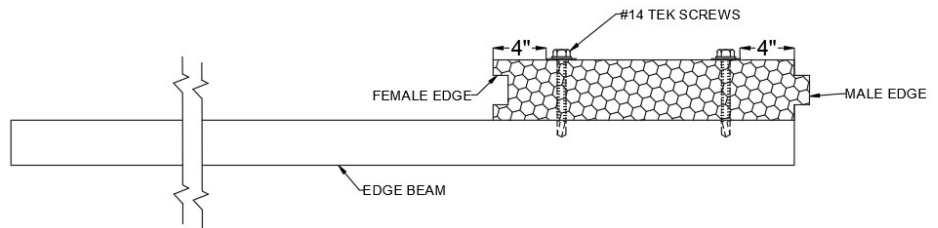
J Line up all **POSTS** on the front side of the chalk line popped in step #4-B



K **Keeping back side of post BOTTOMS on the chalk line...Plumb level the front side of the post, only moving the top...** when it is plumb level, REMOVE THE CARDBOARD... Then **Use a hammer to slowly drive a 5inch tek screw with washer SLOWLY through the top skin of ROOF PANEL until it hits the BEAM** keeping it **4 inches away from MALE edge** of screw into the BEAM until washer hits top skin of roof panel. FASTEN another 5inch tek screw 4 inches from the FEMALE side of Roof Panel



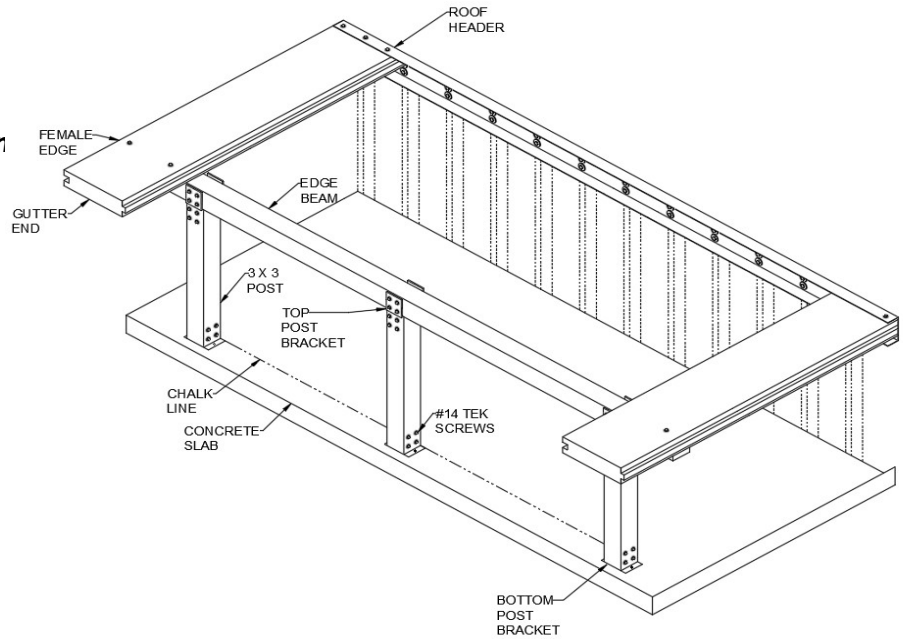
L Go to far right end of 3x3 Edge Beam with second roof panel. **Repeat steps 4E thru J ... Keep the MALE EDGE of roof panel even with right edge of beam**



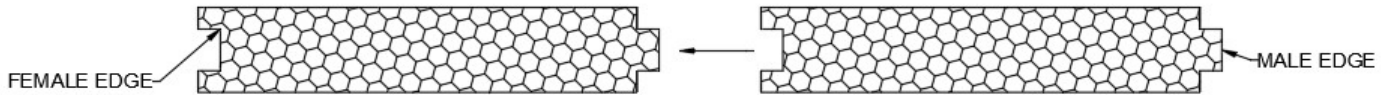
LifeRoom ONE Installation Guide

- M ANCHOR the POSTS:**
 Set each post in front of the chalk line...use 4ft level to **plumb level the post on front and side of each post.** Once **post is plumb level both directions drill a 3/8" hole** through the **Bottom Post Bracket(#K)** into the slab and insert the **WEDGE ANCHORS** and tighten

Repeat for each post

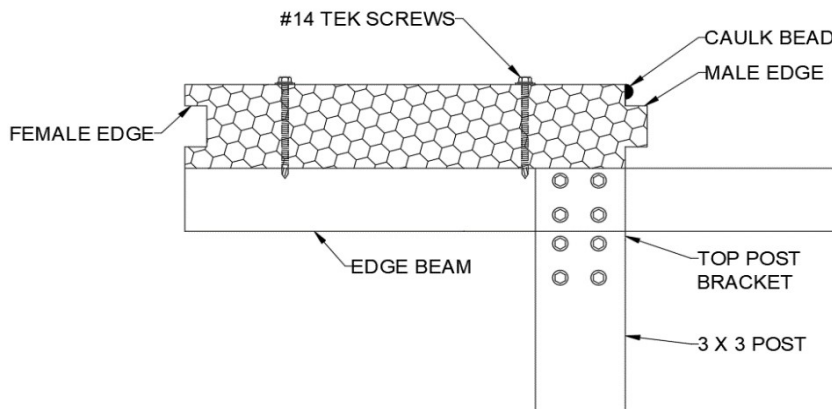


STEP #5 : Setting All Roof Panels



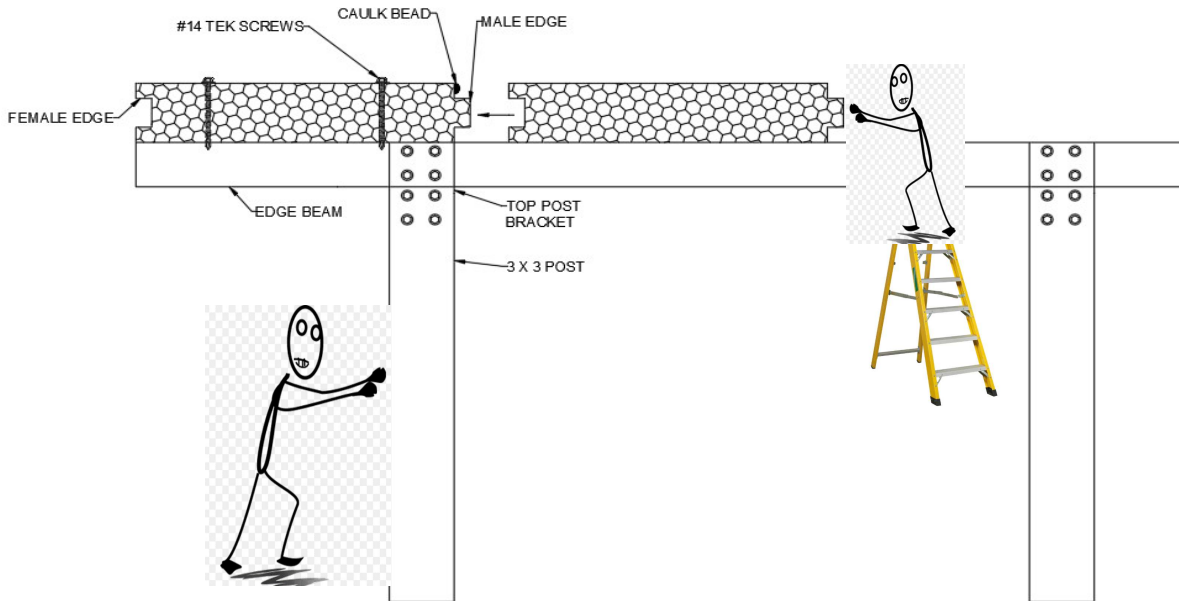
3' INSULATED ROOF PANEL

- A** Carefully unwrap the next roof panel...look for any dents....turn panel so any dents or dings are up on top side.
- B** You will be **starting on LEFT side** of patio cover (looking from backyard at the house). **Run a bead of sealant on the TOP SIDE** of the first installed roof **in the MALE EDGE only**, as shown in dwg.



LifeRoom ONE Installation Guide

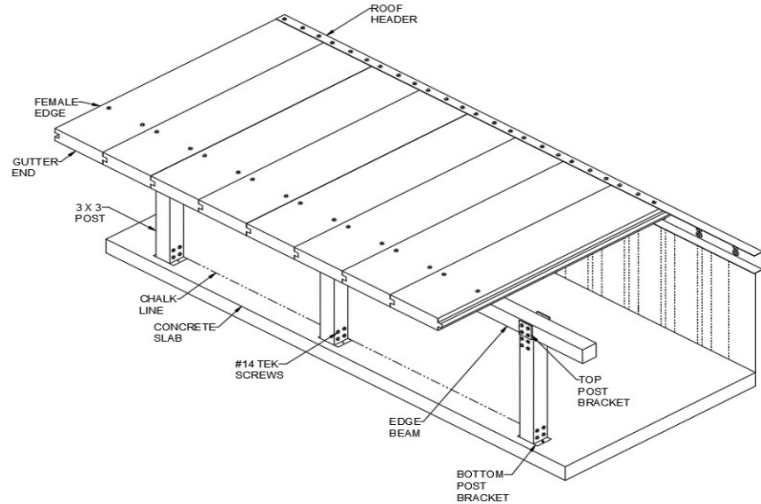
- C Having the **Next Panel Unwrapped... repeat Step 4-E&F**
Keep ROOF PANEL 4" away from first panel and slide it all the way into the ROOF HEADER
Person #1 stands by the first post to hold it steady while **person #2 is on ladder chest high with roof panel**. Person #2 counts "1,2,3 PUSH" then **Pushes the Roof Panel "medium Hard"** to lock into the first panel...person #1 will be bracing the post for the impact of the panels locking together



- D **Look at the Bottom Seam** of the two locked panels ... up to a **1/8" Seam Gap is Normal**.
If the Gap is larger, then **carefully push** the panel more.... to close the seam tighter.
BE CAREFUL not to dent the panel when pushing...
NOTE: CHECK EVERY SEAM AFTER PANELS ARE LOCKED BEFORE FASTENEING
- E Then **Fasten through Top of Roof Header downward** into the panel with one #10 tek screw keeping **4 inches away from the male panel edge & linc** back from the front edge of Roof Header Leg
- F Person #1 **checks FIRST Post SIDES to be Plumb Level** then person #2 Uses a hammer to tap a 5" long Tek screw with washer through the top of roof panel until it hits the beam...**STAY 4 INCHES AWAY FROM MALE EDGE... Fasten the 5" screw into beam** until washer hits top side of panel. DO NOT fasten too tightly as it will interfere with the next roof panel locking into it.
NOTE: THE SQUARE DOES NOT NEED TO BE USED ANYMORE. AFTER EVERY OTHER ROOF PANEL IS FASTENED, CHECK A POST TO BE PLUMB LEVEL ON THE SIDE OF THE POST (not the front or back)... **IF NEEDED GIVE THE POST & BEAM ASSEMBLY A PUSH IN THE NEEDED DIRECTION TO GET THE POST PLUMB LEVEL.**
- G **REPEAT STEPS 5-A,B,C,D,E,F until there is one roof panel left** to put up.

LifeRoom ONE Installation Guide

- H When there is one roof panel left on ground to put up. STOP.
Unfasten and remove the last panel

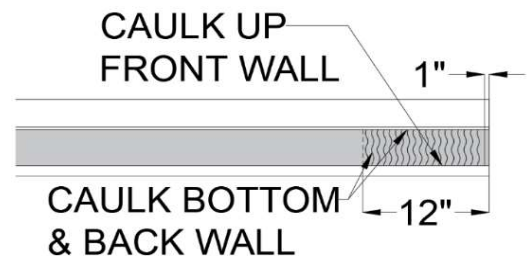
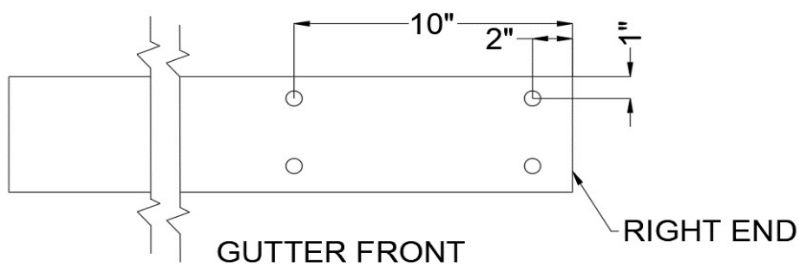


- I On the **HOUSE end of the next ROOF PANEL**, on the **TOP side**, squeeze out a **1/4" bead of sealant** on the Aluminum skin **ACROSS the 23" direction** 1 inch away from the REAR edge of the panel **Same as STEP 4E**
- J **REPEAT STEPS 5A,B,C,D,E,F**
- K **Put up the last ROOF PANEL & REPEAT STEPS 5I & J**
NOTE: the last ROOF PANEL, Male Edge might overhang the 3x3 FRONT EDGE BEAM and the ROOF HEADER slightly...that is OKAY... it will get covered up by the EXTRUDED FASCIA(#E)

STEP #6 : Installing Extruded Gutter(#D) A39I

- A Take one piece of **Extruded Gutter(#D)** and the **Gutter Splice(#C)**. Measure the **Gutter Splice(#C)** and mark it at 12". Measure inside the Right End of **Extruded Gutter(#D)** 12" and mark it.
- B **Hook Tape on Right End** of Extruded Gutter(#D) and **measure to the LEFT** and **mark at 2" & 10"**... then **Measure up 1" from Gutter Bottom and Down 1" from the TOP**. **Make the 4 Marks for Splice Screw Locations**
Use sealant in the bottom corners of the Gutter, zig zag across the bottom, the gutter front and back to the 12"mark ... **stay 1" away from RIGHT Gutter EDGE**

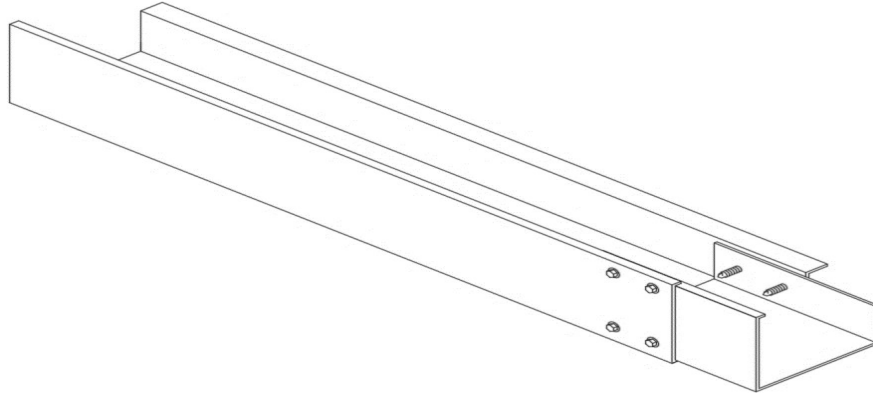
Gutter Top View



LifeRoom ONE Installation Guide

- C Set the **Gutter Splice(#C)** into the **Extruded Gutter(#D)** up to the 12" Mark

Push the Splice down tight into Gutter & the Sealant, **Fasten through the Gutter FACE** using (4) Four #10 tek screws **through the Four Marks** ...Fastening through the Gutter and into the Splice



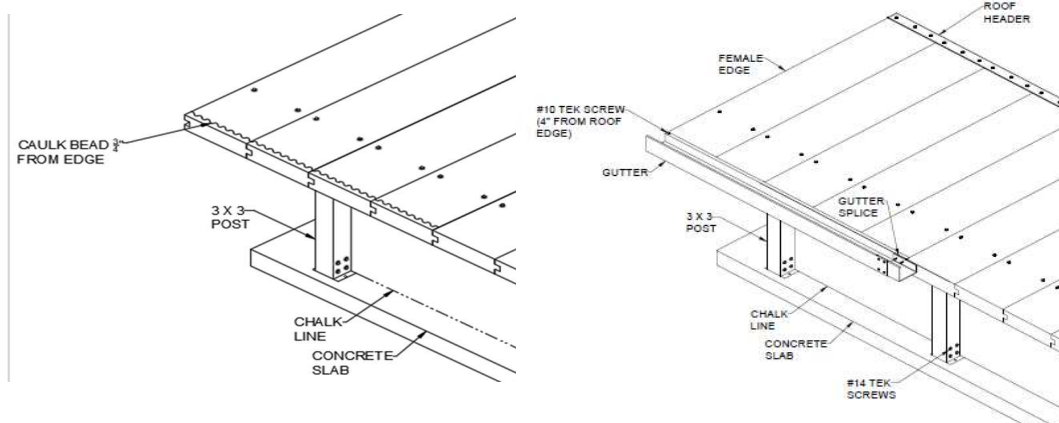
Fasten (2) Two #10 tek screws through the **Back Side of the Gutter 2" away from each end of the Splice & 1-1/2 inch up from bottom of gutter**

- D **Caulk the screw threads inside** the Gutter & Splice. **Caulk the LEFT edge of the Gutter Splice, gutter bottom and up the sides & smooth it out**

- E **Measure the Length of Extruded Gutter (#D).**

Transfer that measurement to TOP of ROOF Starting on LEFT end measuring to the RIGHT plus 1 inch Mark it

Squeeze a sealant bead 3/4" from front edge of roof panel **on TOP of Roof Panels to that mark**

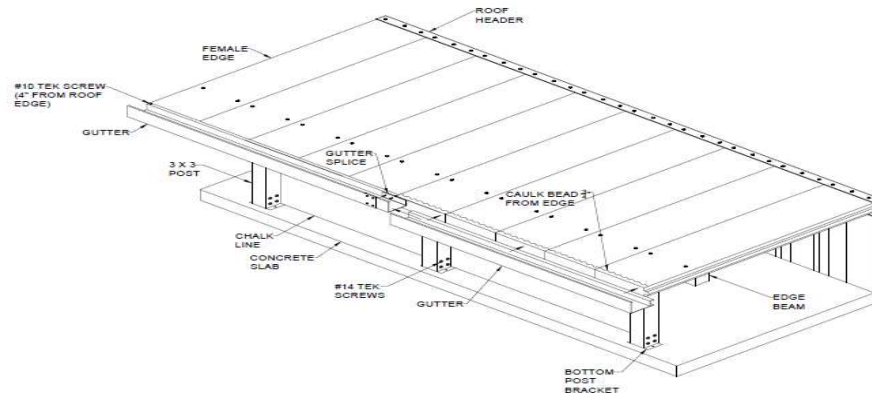


Lift up Gutter and Splice assembly, push it against the roof panels ...let the **Gutter be past the LEFT edge** of the FIRST LEFT Roof Panel by **1/16 inch**

- F **Stay 4 inches away from the left Edge** of Roof Panel, **Fasten through the Gutter Leg** downward into the Roof Panel **using (1) one #10 tek screw**...**ONLY ONE SCREW** for NOW

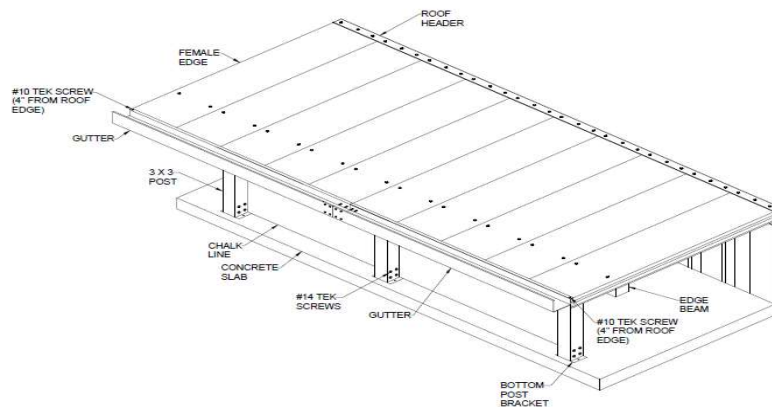
LifeRoom ONE Installation Guide

- G Take Second piece of Extruded Gutter(#D). **Measure inside the LEFT End of Extruded Gutter(#D) 11-1/2" and mark it. Hook Tape on Left End of extr Gutter(#D) and measure to the RIGHT and mark at 2" & 10" on gutter face...** then **Measure up 1" from Gutter Bottom and Down 1" from the TOP. Make the 4 Marks for Screw Locations on the Face of Extruded Gutter.** Use sealant in the bottom corners of the Gutter, zig zag across the bottom, the gutter front and back **as in STEP 6B. Squeeze a caulking bead 3/4" from front edge of roof panel on TOP of Roof Panels to the END**
- H **Hold the Second Extruded Gutter(#D) at the end of the Gutter Splice(#C). Slowly push the gutter onto the Roof Panels and slide to the LEFT over the Gutter. Splice** until the two gutters butt together



Align the two Gutters for a good fit, making sure they are straight, pull them in or out for that good tight fit...at the Four Marked locations **fasten through the FACE of second Gutter into the Gutter Splice. Caulk and Seal inside the splice ... screw threads and RIGHT edge of Splice** as in STEP 6D

- I When splice joint is a good tight fit, **adjust gutter to be straight on the roof panels.** Staying **4inches away from the Roof Panel Seam** near the Splice, **Fasten through the Gutter Leg** downward into the Roof Panel using one(1) #10 tek screw.
- J Go to **Far RIGHT END of Roof panels** staying **4inches away from the RIGHT Edge of Roof Panel, Fasten through the Gutter Leg downward** into the Roof Panel using one(1) #10 tek screw.

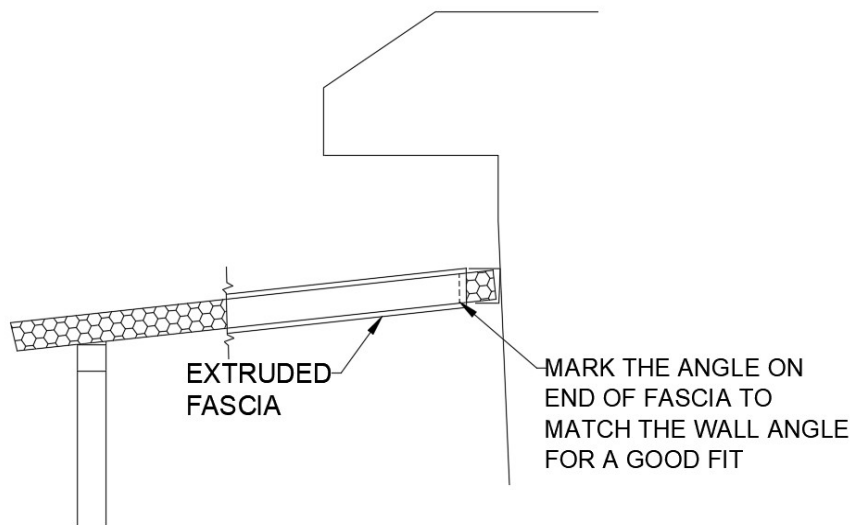


LifeRoom ONE Installation Guide

STEP #7 : Installing Extruded Fascia (#E)

NOTE: for ease of installation the Extruded Fascia for each side comes in 2 pieces to be butt together.

- A Take one piece of **Extruded Fascia(#E)** hold up **against roof panel at house end**. Check if it will need to be cut at an angle...**Mark the angle** at the very end of the Fascia(#E) **CAREFULLY Only cut near the very end of the Fascia(#E)**. Test fit the cut. Cut it again if needed for a better fit.



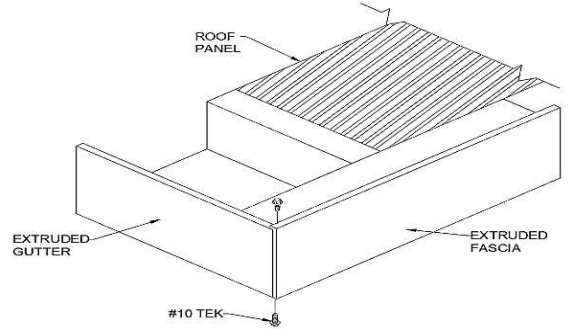
- B **Push the fascia on the roof panel**, slide it **against the house end**, Fasten the Fascia(#E) through the top leg into the roof panel using (1) one #10 tek screw
- C Take Second piece of Fascia(#E), **push onto roof panel and butt tightly against first fascia. Mark the front of Gutter onto the Fascia & CAREFULLY cut it. Push the Fascia on the Roof Panel, slide it tightly against first Fascia.** The TOP LEG of Fascia fits over the Top Leg of Gutter, the BOTTOM LEG of Fascia fits UNDER the Bottom of the Gutter.



- D **Fasten down through TOP LEG of Fascia into Gutter Top Leg** using (1) #10 tek screw
Fasten upward through BOTTOM LEG of Fascia into Bottom of Gutter near front corner

LifeRoom ONE Installation Guide

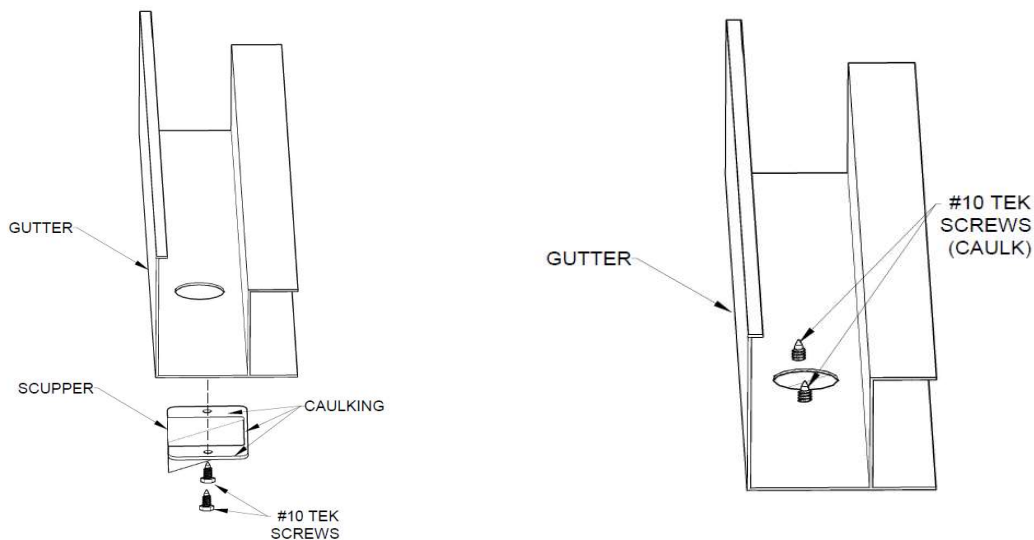
- E Adjust the two Fascias where they butt together for straight joint. Fasten through the top legs of Fascia into roof panels
- F Fasten the TOP LEG of Fascias down into Roof Panels...spacing screws no more than 24" apart. Then Fasten Upward through the bottom leg of the Fascia using the same 24" spacing.
- G Move to Left End of Patio Cover and repeat STEPS 7-A to F



STEP #8: Installing Scupper Drains(#L)

NOTE: you will need a 1-1/2" to 2-1/8" hole saw

- A Line up your **Scupper Drain Holes** typically centered with the First and Last Posts
Drill your holes using the HOLE SAW... one hole per drain, centered in gutter bottom



- B Squeeze a **light bead of sealant** on the top legs of Scupper Drain(#L)
Face the Drain OUTWARD to the Backyard & Push the Scupper Drain to bottom of the Gutter
CENTERED over the Hole
- C **Fasten upward to Bottom of the Gutter** using (2) two #10 tek screws and **caulk around the screws inside the gutter**

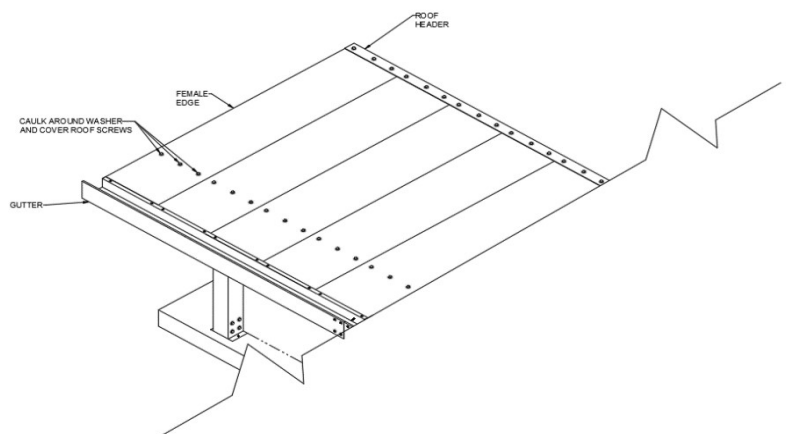
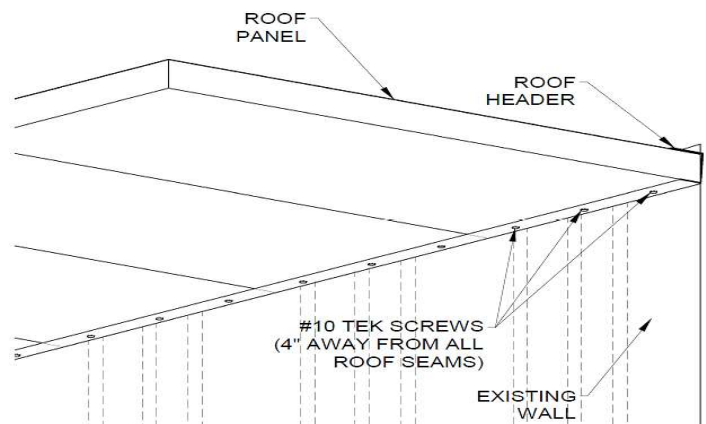
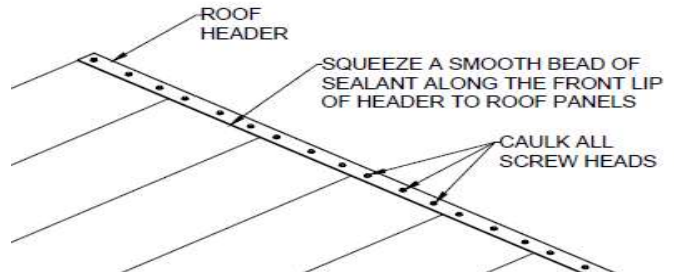
LifeRoom ONE Installation Guide

STEP #9: Finish Fastening & Sealing

NOTE: Do Not walk of Roof Panel SEAMS

ROOF PANELS

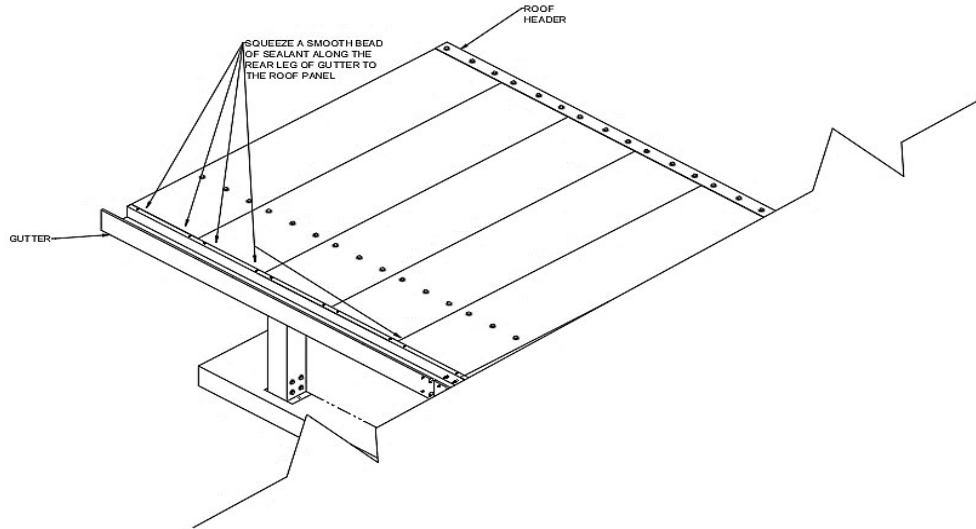
- A **Fasten TOP side of Roof Panels** downward through the **Roof Header(#B) Leg** into the roof panels **using (3)Three #10 tek screws**.
****Keep All fasteners 4inches away from all roof seams****
(3) Three screws in each panel.... 4" from each seam and (1) One in the Center
- B Caulk around and on Top of every roof screw just fastened
- C Squeeze a smooth **Bead of Sealant along the FRONT LIP of Roof Header(#B) and the Roof Panel**
- D If Sealant at **Roof Seams** did not Squish up, go ahead and **Caulk over the Roof Seams** where it is needed
****DO NOT WALK ON Roof Seams****
- E Caulk around & cover the TOP Screws of Fascia(E) and along the leg to the Roof Panel
- F **Fasten the BOTTOM of all Roof Panels Upward through the Bottom Leg of the Roof Header (#B)...** (3)Three screws each panel 4inches from each Seam & (1)one in the Center
- G **Fasten all Roof Panels to 3" Edge Beam(#F) using the 5" Tek screw with washer.** (3) Three screws each Roof Panel. Keep **4inches away from each Roof Seam and one in the Center**. Tighten to a very **Slight Dimple** of the top roof skin...NOTE: not too tight. **Seal around the washer and cover the screw head and washer completely**



LifeRoom ONE Installation Guide

Fastening & Sealing the GUTTER

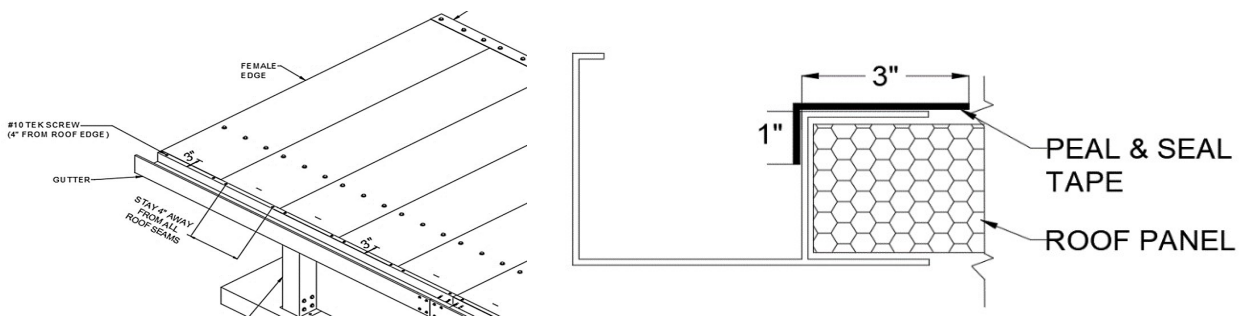
- A Fasten through the **TOP of Gutter Leg downward into the Roof Panels**
(2) Screws per roof panel, 4 inches away from all roof seams
- B Fasten Upward through the Bottom Leg of Gutter into the Roof Panels
(2) Screws per roof panel, 4 inches away from all roof seams
Caulk around and on Top of every Gutter Screw on TOP SIDE ONLY
- C **On TOP SIDE ONLY Squeeze a Smooth Bead of Sealant along the back Leg of the Gutter to the Roof Panel**



STEP #10: Peel n Seal taping the Roof Seams, Roof Header and Gutter

NOTE: ALL CAULKING SEALANT MUST BE CURED FOR 24 HOURS BEFORE YOU CAN INSTALL THE PEEL n SEAL TAPING & ROOF MUST BE CLEAN & DRY

- A **Wipe Off the Rear Leg of the Gutter** on TOP of the ROOF and about **4 inches of the Roof Panel** Hook Measuring Tape to the inside of Gutter and **Measure back onto the Roof Panel and Mark it at 3". Repeat & Mark at the Center of every Roof Panel**
Measure the Front Roof Width, add 3 inches and cut a strip of Roof Tape
- B **Peel off the paper backing about 24" at a time...**starting at one end of the roof...**Line up the Tape to run in FRONT of the 3inch marks** on the Roof Panels toward the gutter, **over the Gutter Leg & screws and roll it down into the Gutter...**trim it to fit at the end.



LifeRoom ONE Installation Guide

- C **Measure the Roof Top from the attachment against the house, outward to inside the Gutter Edge & add 2 inches**

Count how many roof Seam Joints you have then Cut that many Strips of Peel n Seal tape

NOTE: you can piece 2 pieces together if needed and overlap them 3 inches.

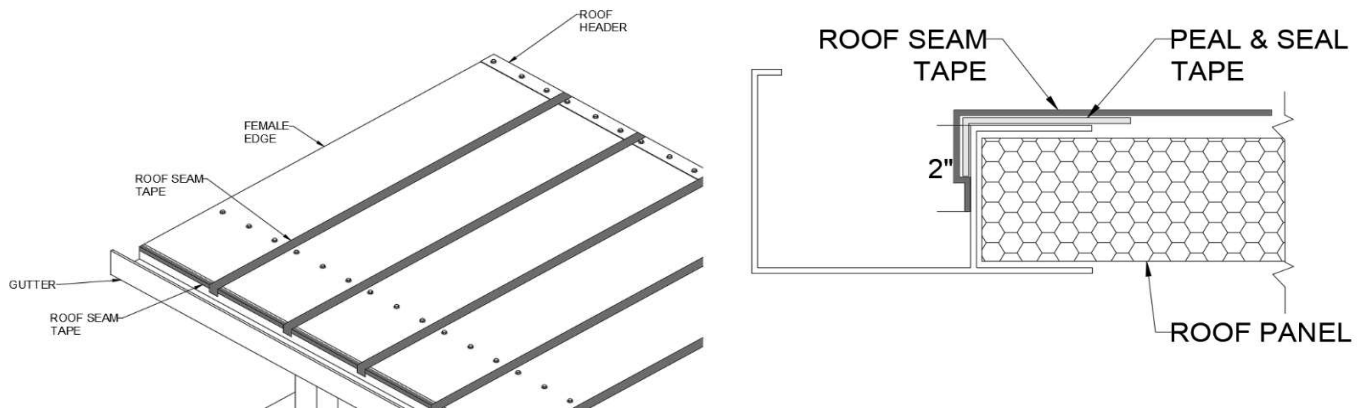
- D **Wipe Clean the Roof Seam Joints 4 inches on both sides of every Seam**

Peel off the paper backing about 24" at a time...**starting 2" on Top of the Roof Header, Centering the Tape 2 inches on each side of the Roof Seams...**moving Downward over the **Gutter Leg and down into the Gutter**

Smooth out the Tape as you move down toward the Gutter... **Smooth it Tightly against the Sealant and Outward away from the Seams in Both Directions...Make sure the Edges are stuck well**

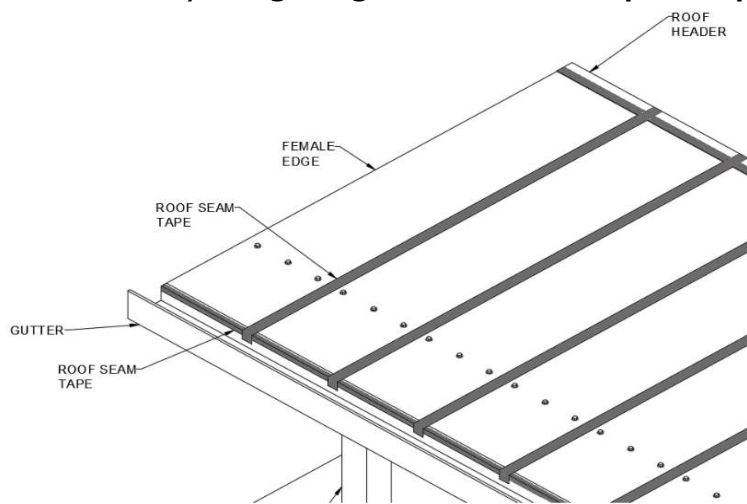
TIP: You can use an Old Credit Card or plastic putty knife to smooth out the Tape.

- E **Tape every Roof Seam Joint**



- F **Measure the Roof Width, add 3 inches and cut a strip of Roof Tape**

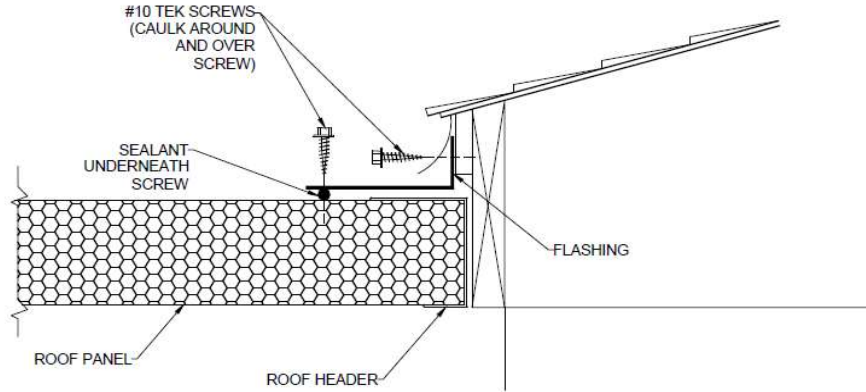
Peel off the paper backing about 24" at a time...**Start at one end of the Roof Header, Centering the Tape 2 inches on the Roof Header and 2 inches onto the roof panel ...** covering the Roof Header Screws. **Smooth out the Tape...** take care **when Tape Overlaps Tape or goes over screws** that it is smoothed over each other very well **getting Good Adhesion Tape to Tape**



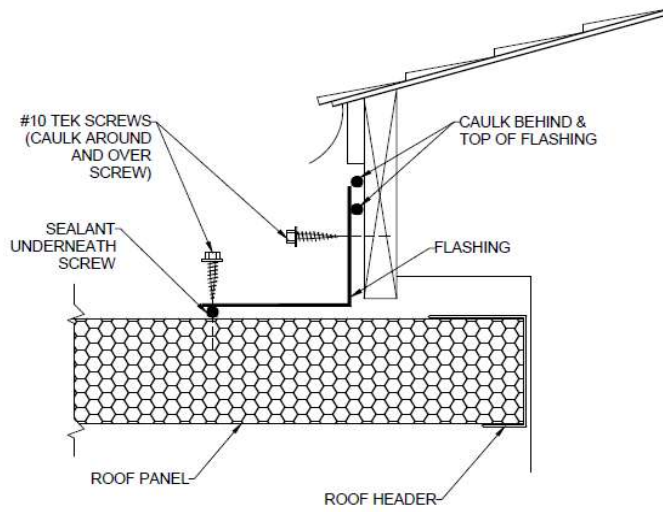
LifeRoom ONE Installation Guide

Step 11: Flashing

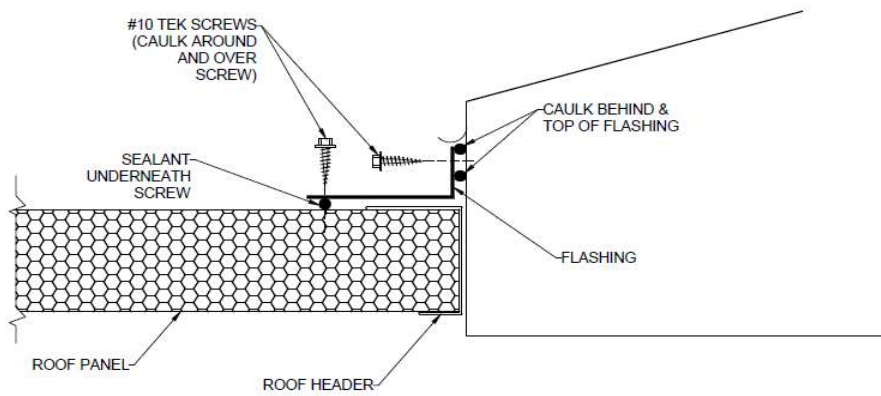
OPTION #1 FLASHING MOUNT



OPTION #2 FLASHING MOUNT



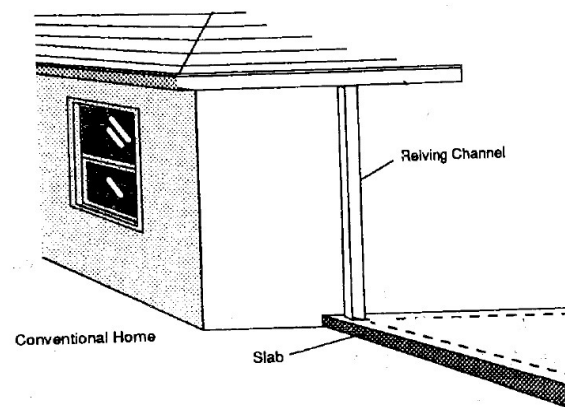
OPTION #3 FLASHING MOUNT
(MANUFACTURED HOME)



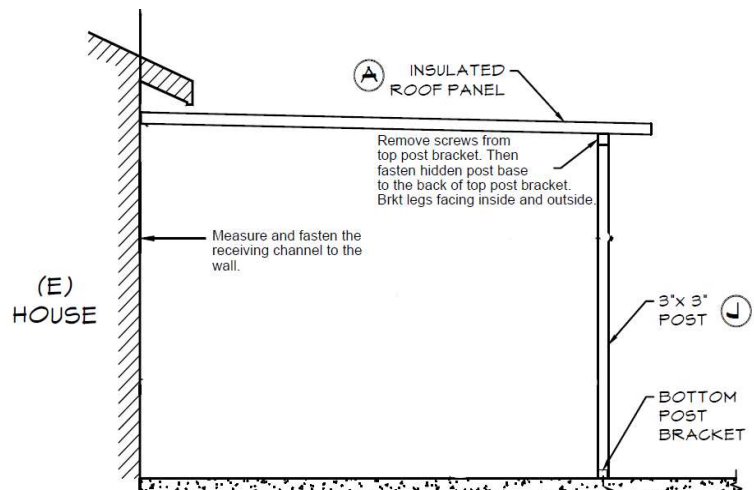
LifeRoom ONE

SIDE WALL FRAMING

STEP 15: Measure against the house wall and cut the 3" Receiving Channel: The Channel must be in line with the front Corner Post of the Patio Cover. Plumb level the Channel up the wall and mark the location on the wall. Predrill holes in the Channel. Caulk the back side of the channel and fasten to the house wall using 5 fasteners.



STEP 16: Remove the screws fastened through the backside (or inside) of the Top Post Bracket of the 3x3 Front Beam at the Corner Post. Fasten the hidden Post base to the Top Post Bracket 3/16" down front of the Roof Panel using 5 #14 tek screws.



LifeRoom ONE Installation Guide



LifeRoom ONE

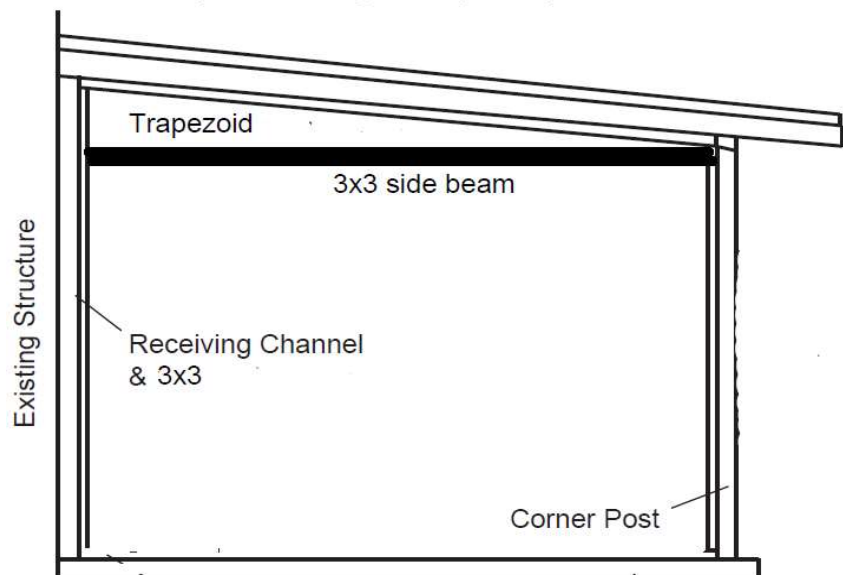
STEP 17: Measure for the 3x3 Side Beam.

Measure from the front 3x3 Beam to the inside of the Receiving Channel against the house wall, then subtract 1/2". Cut the 3x3 Beam to that measurement. Slip the 3x3 Beam over the hidden post base against the Front Beam, and then slide the other Beam end into the Receiving Channel.

STEP 18: Level and Fasten the 3x3 side beam:

Level the 3x3 side beam. Fasten through the side Beam into the hidden Post Bracket using 2 #14 tek screws inside and outside. At house wall, fasten through the Receiving Channel into the Side Beam using 2 #14 tek screws inside and outside.

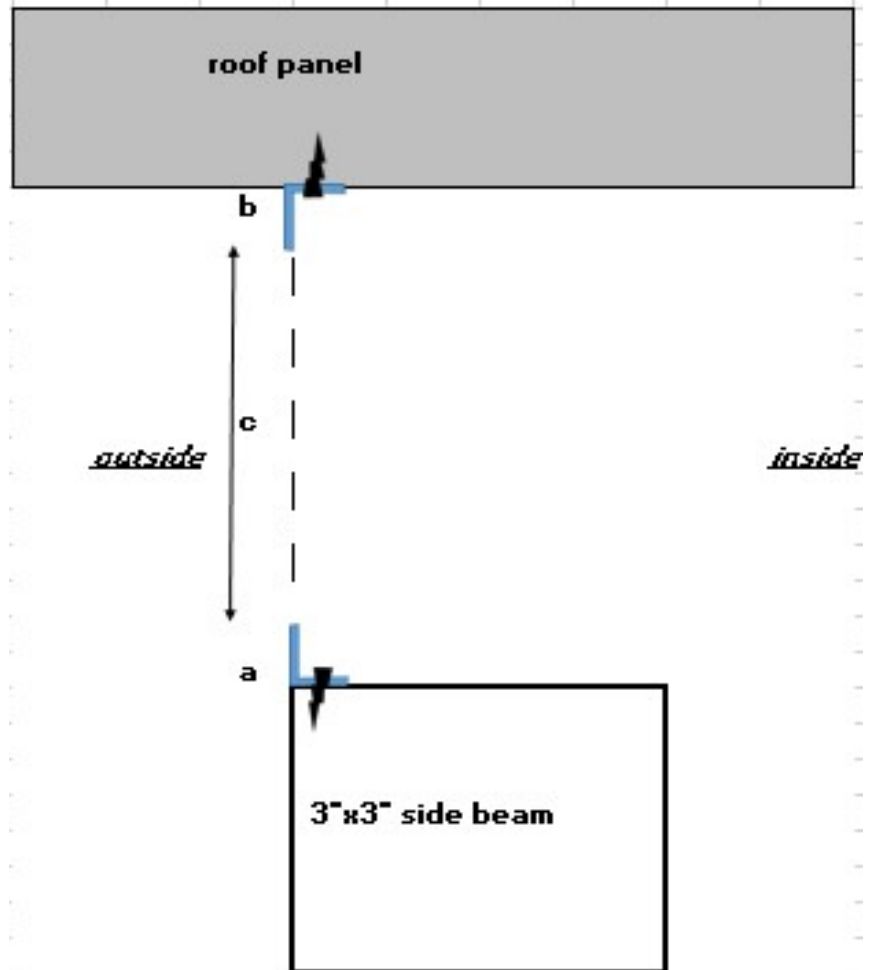
STEP 19: Measure and cut 3x3 posts for house wall: Measure from the floor to the bottom of the 3x3 Side Beam, and then cut the 3x3 post to fit, pushing it into the Receiving Channel. **DO NOT FASTEN** until installing the screen units. Measure from top of 3x3 Side Beam to the roof. Cut the 3x3 Post to fit, pushing it into the Receiving Channel, Fasten using 2 #14 tek screws on each side.



LifeRoom ONE

STEP 20: Assembling the Trapezoid Filler Panel:

- a) Measure across the top of the 3x3 Side Beam and cut the 1x1 angle to fit. Line up the angle flush with outside edge of the Side Beam and fasten using #8 tek screws spaced every 16".
- b) Cut the short piece of the 1x1 angle for the short 3x3 Post in the Receiving Channel & fasten using #8 tek screws.
- c) Measure, cut and fasten the 1x1 angle for the bottom of the roof panel, in line with the Side Beam using #8 tek screws.

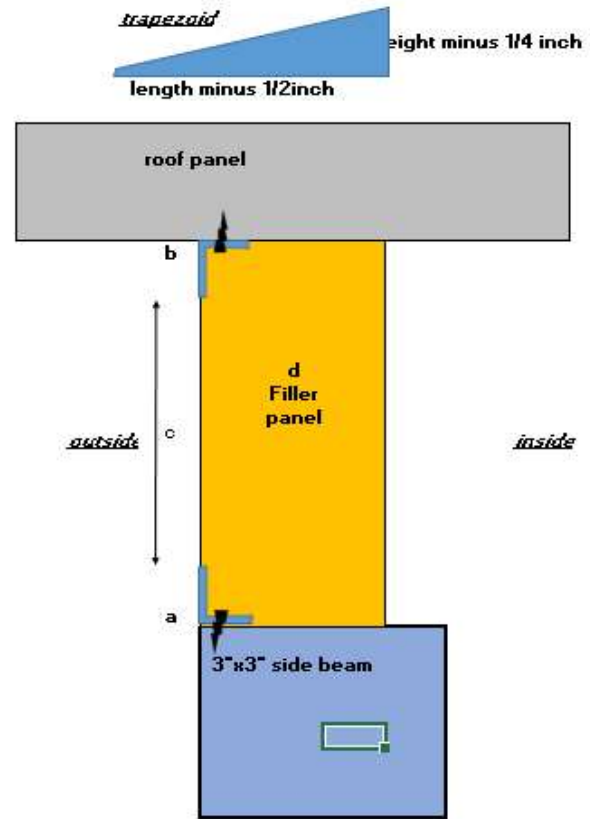


LifeRoom ONE

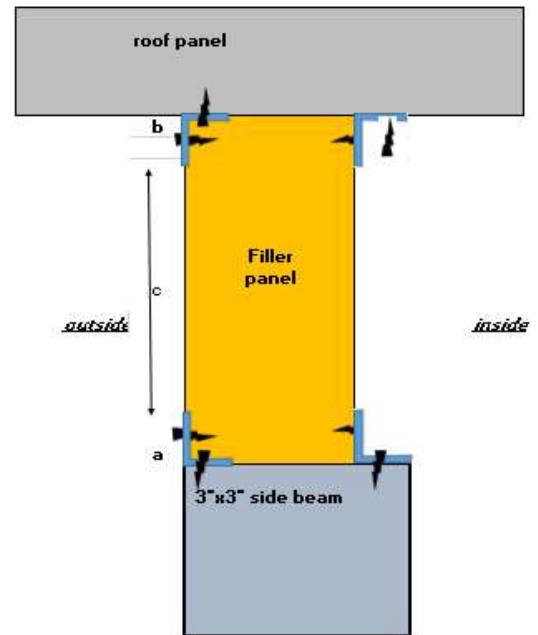
STEP 19

(continued):

d) Measure the trapezoid opening; transfer and mark measurements onto the 2" Filler Panel. Cut the Filler Panel with a skillsaw fitted with a carbide tip blade. Test fit it and push it into the opening.

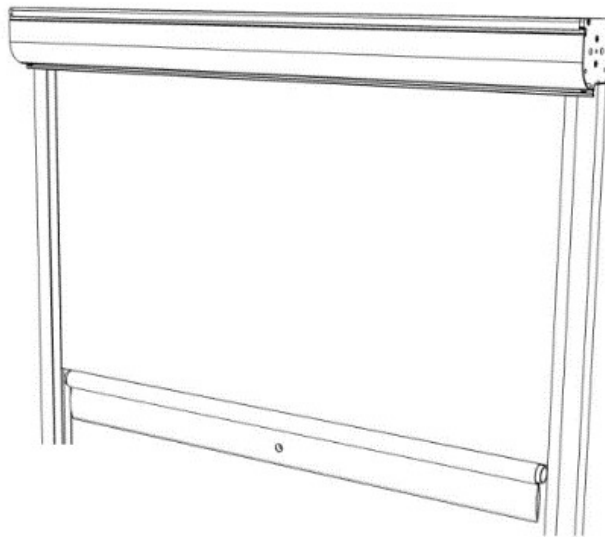


STEP 20: Measure, fit and fasten the remaining pieces of 1x1 angle. Repeat Steps 14-19 for the second side wall Filler Panel.



LifeRoom ONE

Screen Installation Guide

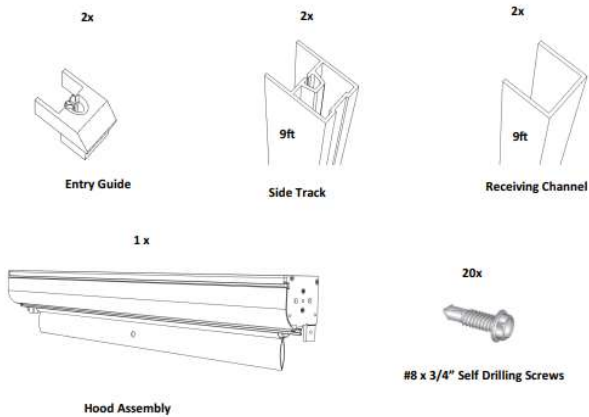


LifeRoom ONE Installation Guide

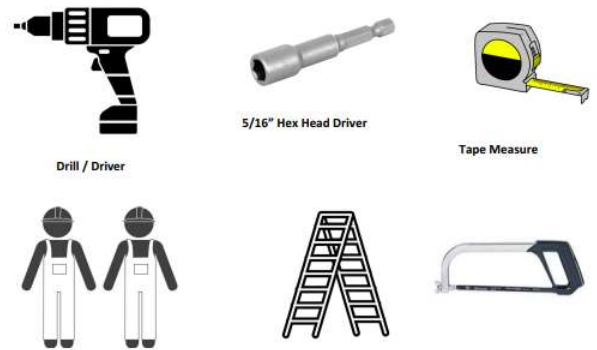


LifeRoom ONE

What's Included

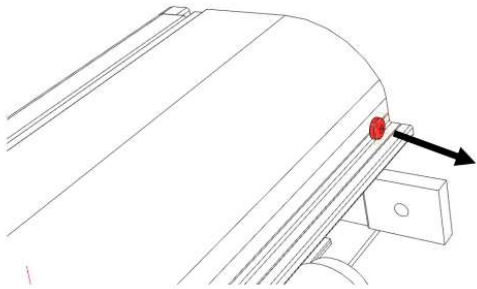


What You Need

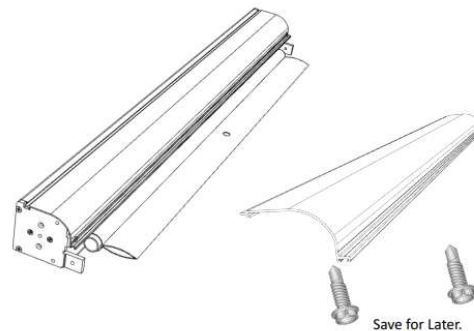


LifeRoom ONE

STEP 1: Remove the screws as shown below from both sides of the hood assembly.



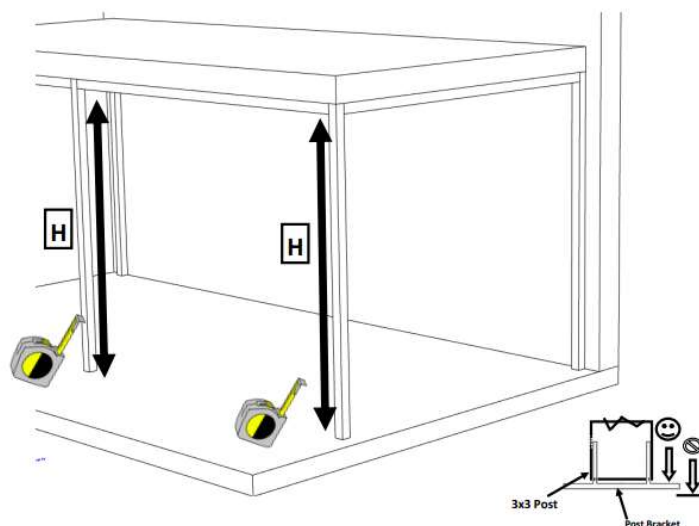
STEP 2: Remove the Cover and set aside.



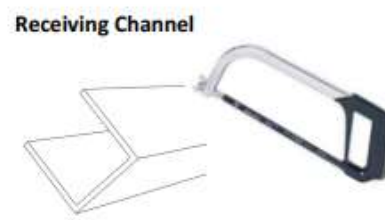


LifeRoom ONE

STEP 3: Measure up the post as shown, from the top of the floor post bracket—not the floor—to the bottom of the 3x3 beam.



STEP 4: Subtract 3 3/4" from the measurement you just made (H), and cut the Side Track. Then, subtract 3 1/4" from the measurement (H) and cut the Receiving Channel.

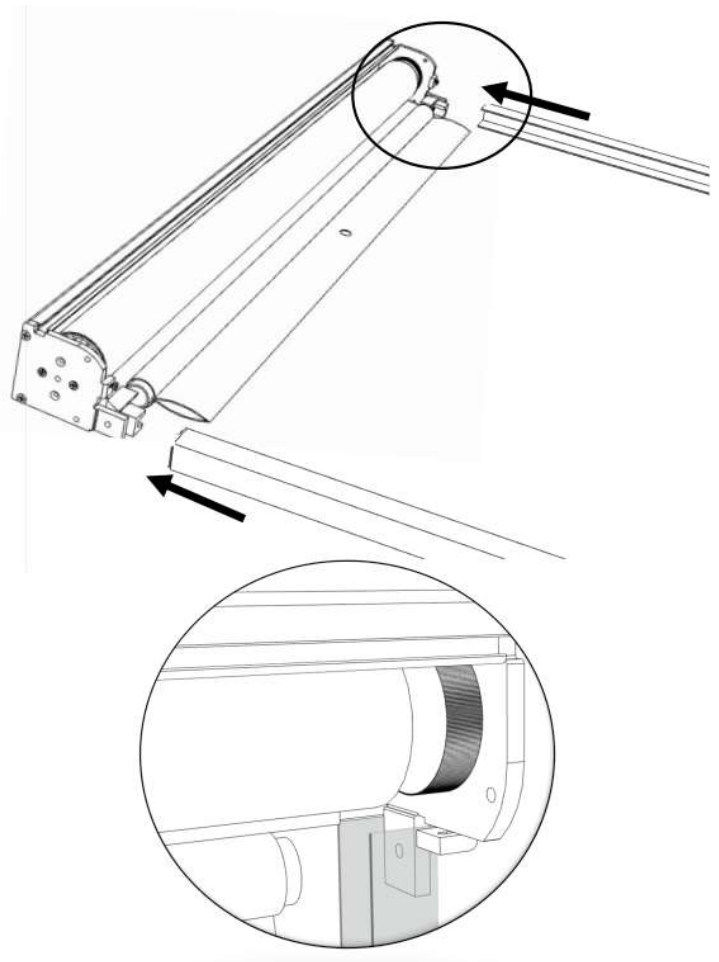


LifeRoom ONE Installation Guide



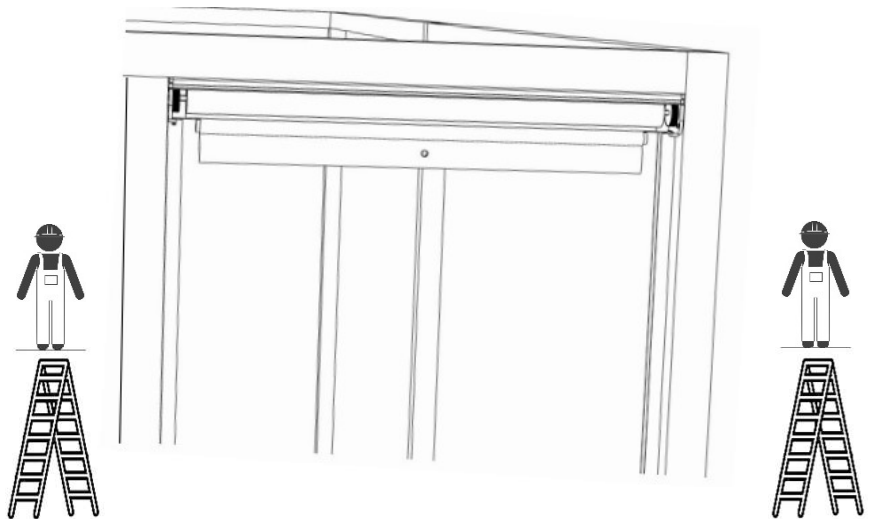
LifeRoom ONE

STEP 5: Slide the Receiving Channels over the leg of the End Caps as shown.

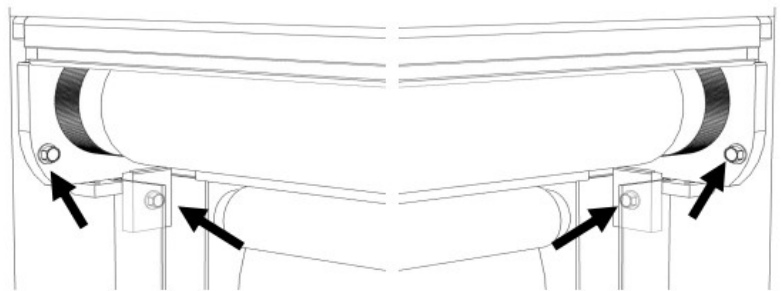


LifeRoom ONE

STEP 6: Using two people, lift the Hood Assembly and Receiving Channels between the Posts of your LifeRoom ONE, and push it up tight against the beam.



STEP 7: Make sure the Hood Assembly is facing upward and tight against the Beam. Fasten through each End Cap through the Receiving Channel and to the Posts as shown.

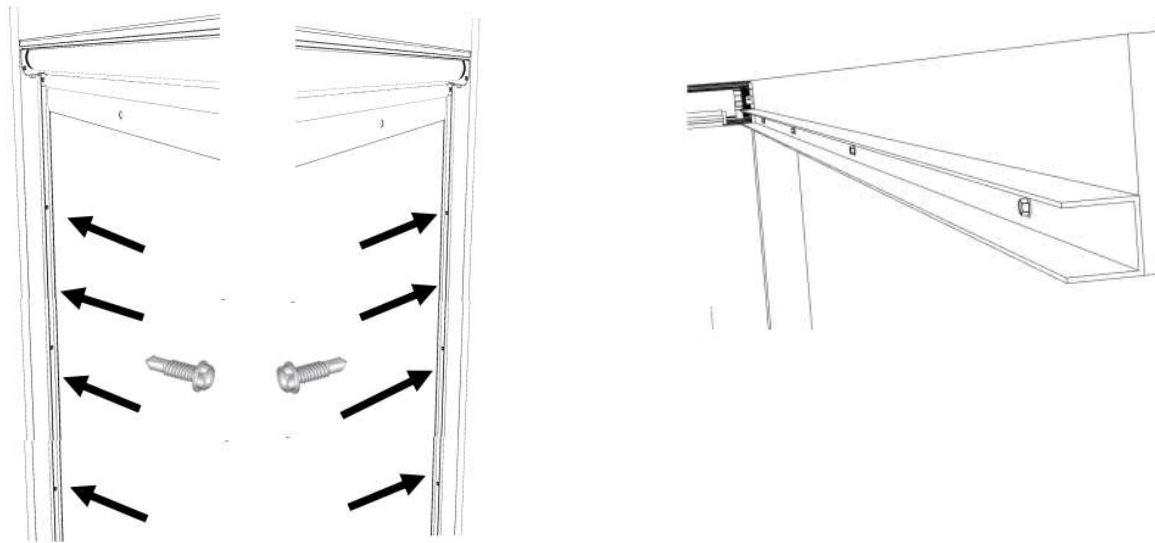


LifeRoom ONE Installation Guide



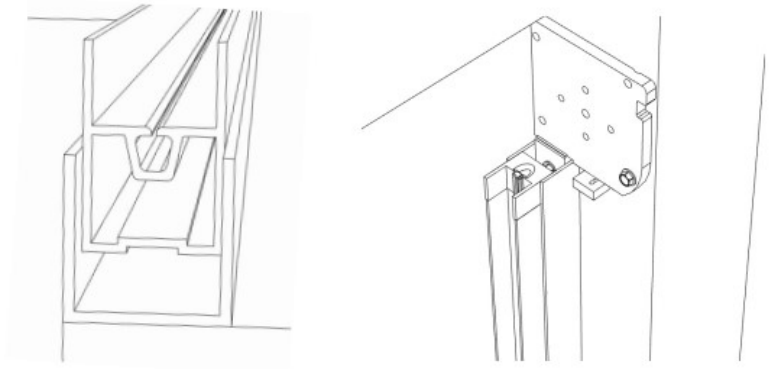
LifeRoom ONE

STEP 8: Push the Hood Assembly up tight against the 3” Edge Beam. Then, secure the Receiving Channels to each Post using self-drilling screws. Keep the bottom screw 5” up from the ground and then equally space the remaining screws .

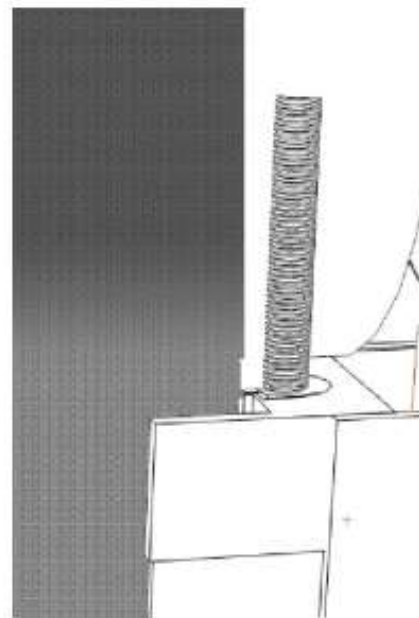


LifeRoom ONE

STEP 9: Insert the Side Rails into the Receiving Channels as shown. The Plastic Entry Guide should be on the top; do not fasten the Rails yet.



STEP 10: Pull the Screen down into the Side Rails, ensuring that the Zipper goes through the Entry Guide as shown.

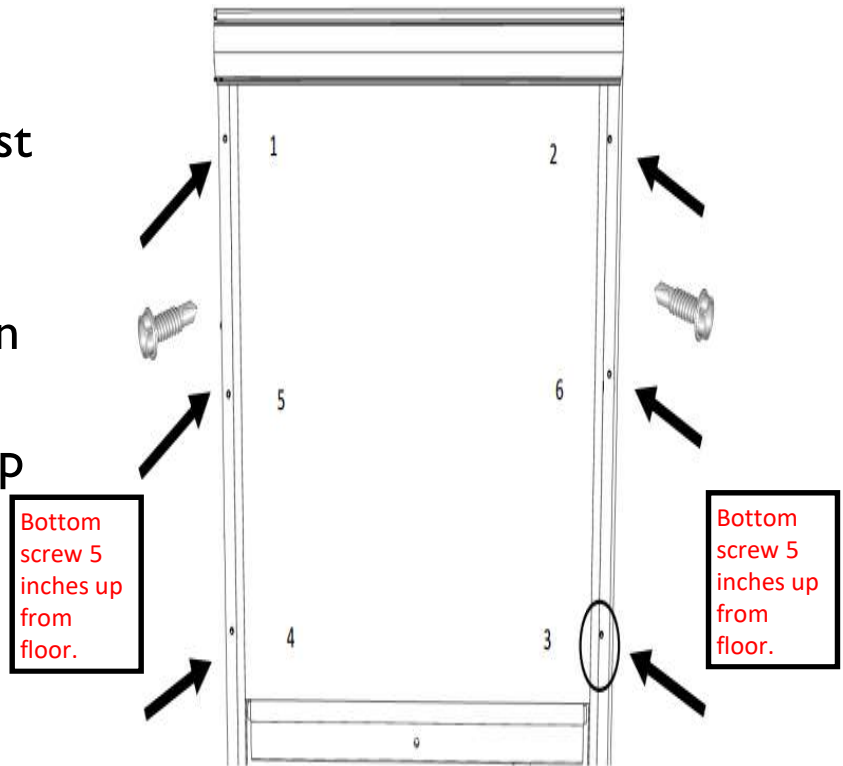


LifeRoom ONE Installation Guide

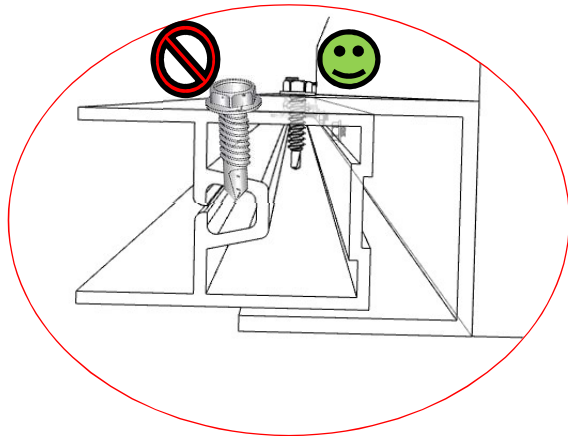


LifeRoom ONE

STEP 11: Pull the Screen down to the floor. Adjust the Side Rail Tracks so they are parallel with each other. Minor Screen wrinkles are normal; sunlight will typically help smooth them out.



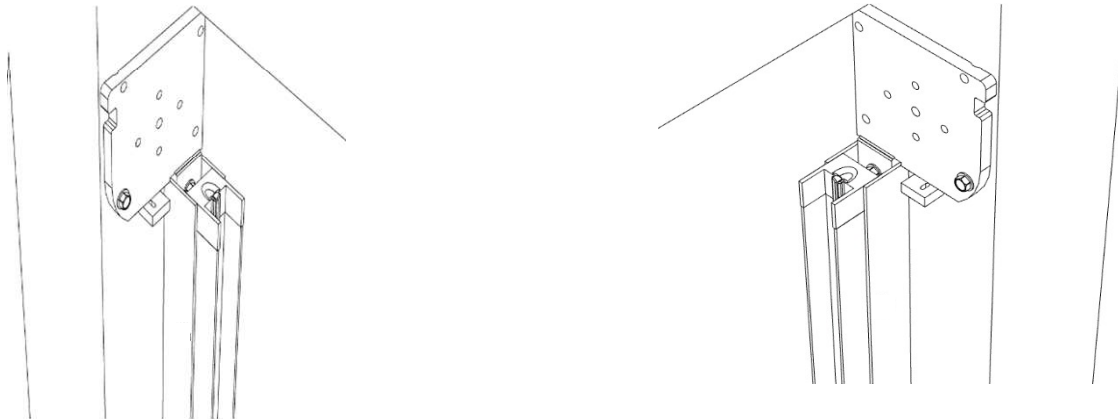
STEP 12: Fasten the Track to the Receiving Channel using 5 Self-drilling Screws on each side. **Be sure not to screw into the Zipper groove.**





LifeRoom ONE

STEP 13: With the Screens pulled down, attach a fastener through the End Cap on both sides as shown below.



STEP 14: For 10'5" screens, use 2 additional screws to fasten the hood upward to the 3" Edge Beam, spaced into thirds. For all other Screen units, use 1 screw in the center of the hood to the Edge Beam.

