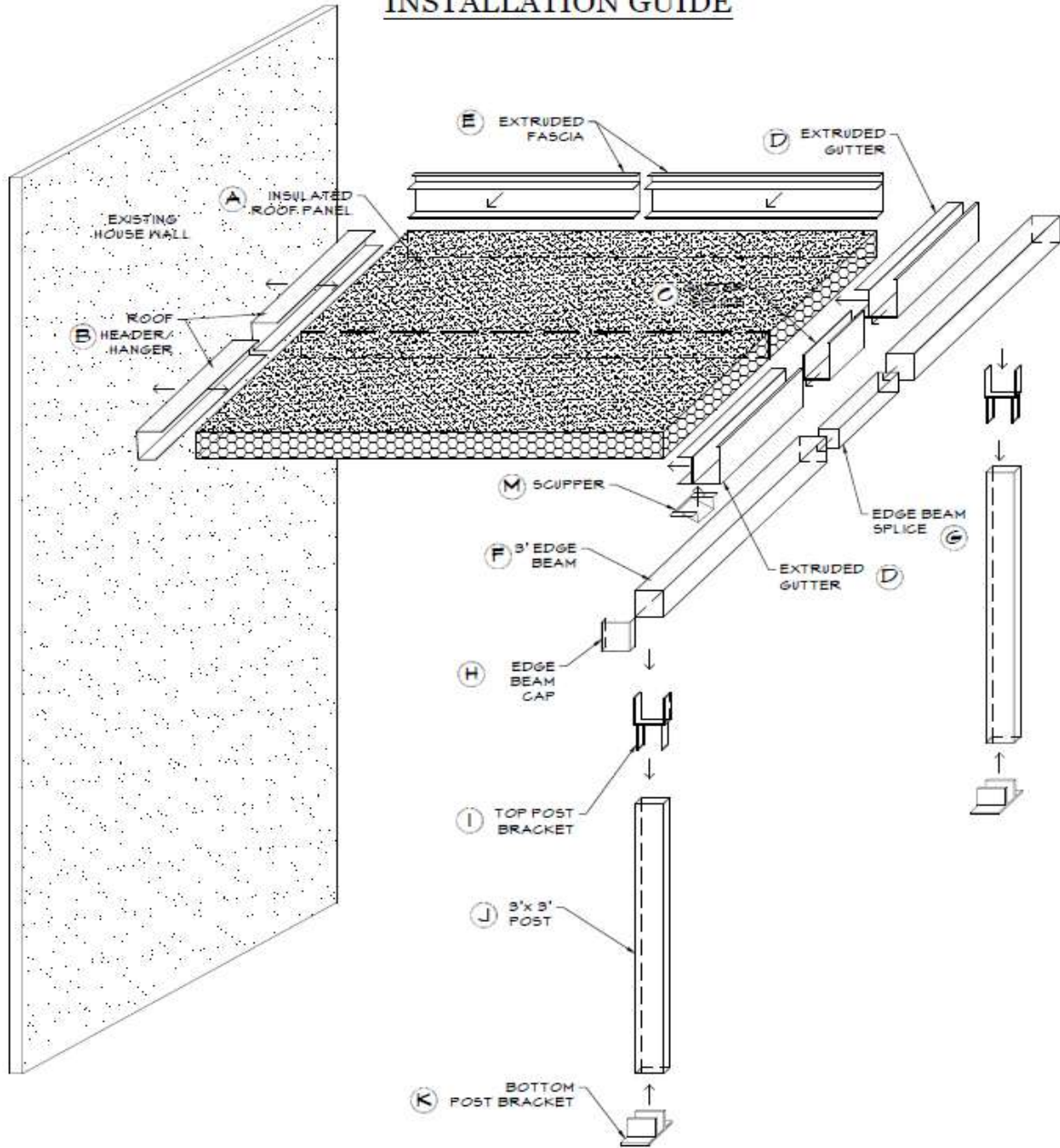


PATIO COVER INSTRUCTION SHEETS



INSULATED PATIO COVER INSTALLATION GUIDE



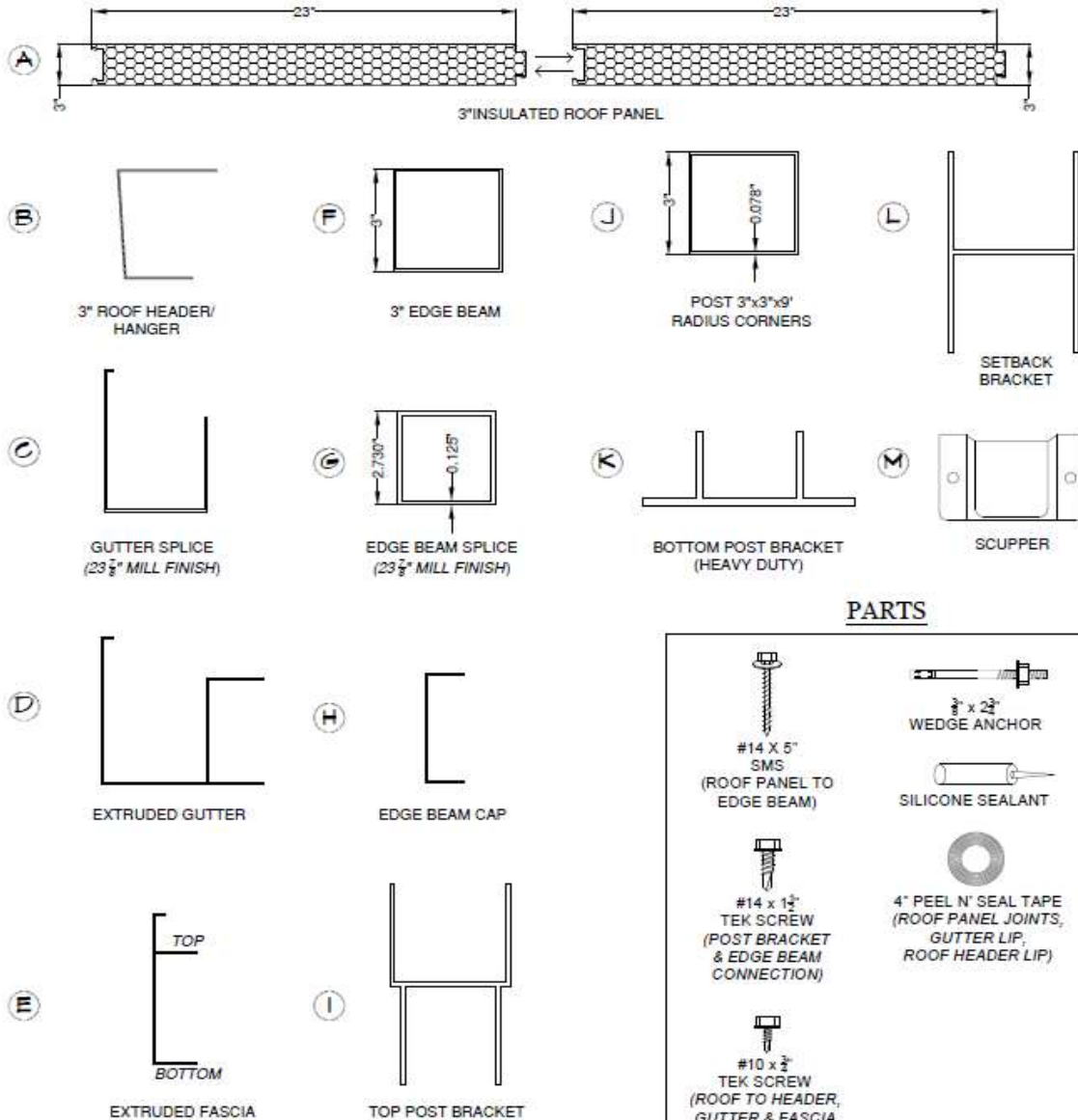
1 OF 2

PATIO COVER INSTRUCTION SHEETS

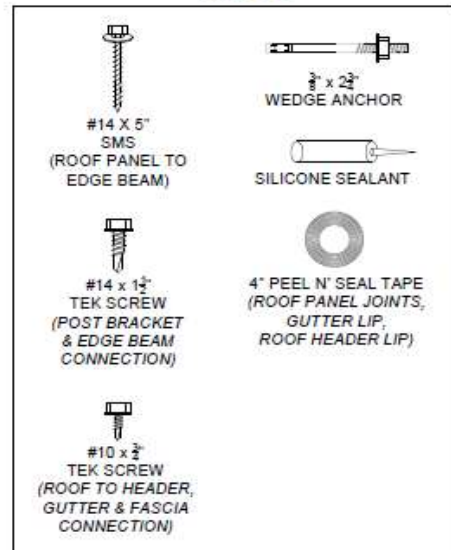


INSULATED PATIO COVER INSTALLATION GUIDE

COMPONENTS



PARTS



2 OF 2



www.fourseasonsols.com
800-533-0887

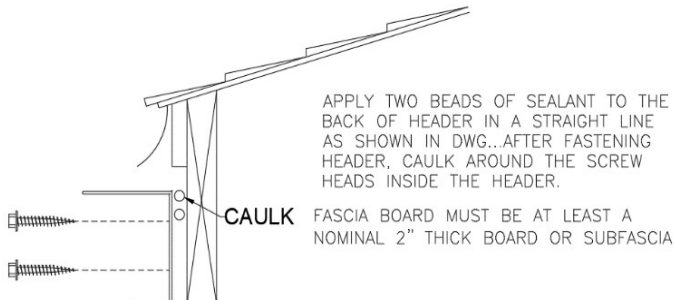
support@FourSeasonsOLS.Com

PATIO COVER INSTRUCTION SHEETS

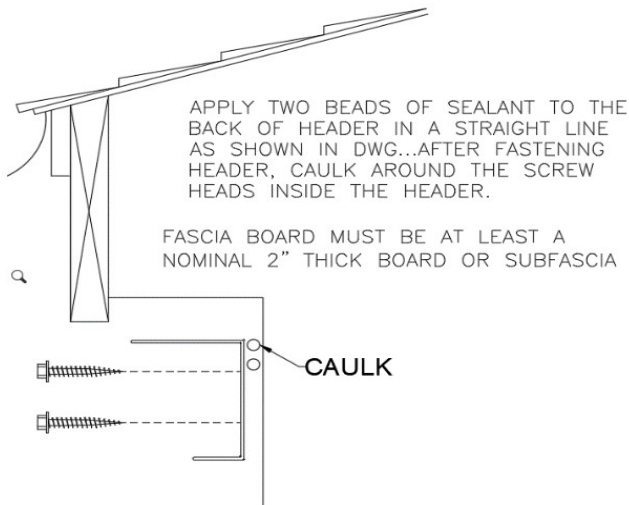
WeatherStopper Patio Cover Installation

Structural Insulated Panels

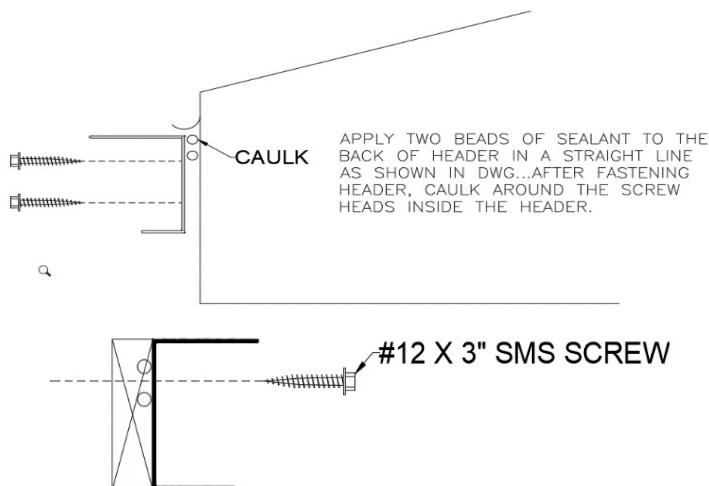
OPTION #1 HOUSE FASCIA



OPTION #2 HOUSE WALL



OPTION #3 MANUFACTURED HOME

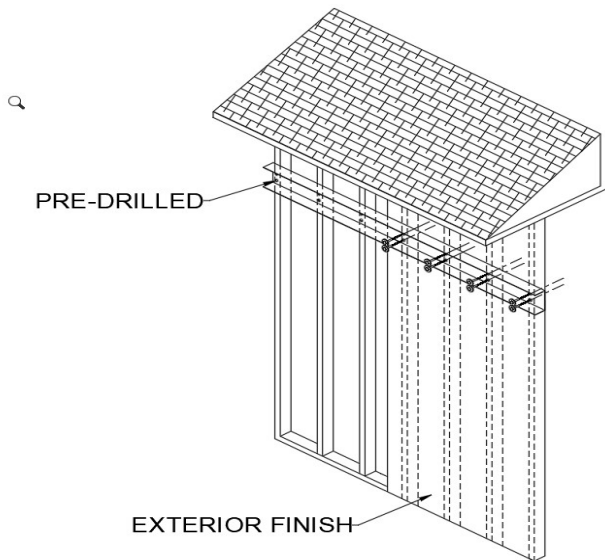


STEP #1: Installing Roof Header (#B)

- A Select which attachment method OPTION #1, #2 or #3. (**NOTE:** if mounting to a masonry wall the anchors are NOT INCLUDED)
- B Select the area on wall or fascia for the Roof Header #B. Using a chalkline, snap a level line.
- C **NOTE:** roof panels must have a Minimum of 1/2" per foot slope for the length of your roof panel for water drainage. If you can get more pitch DO IT.
- D If attaching per OPTION #1, mark on the fascia board the location of your roof truss ends...if OPTION #2 mark on the wall the location of your wall studs.
- E Hold up the **Roof Header(#B)** and transfer the marks of the truss ends or wall studs to the back side of the Roof Header near the top.
- F At each mark, drill a 3/16" hole through the back side of roof header 1/2" down from the top
- G Run a bead of sealant in a straight line above the predrilled holes near the very top edge and then run a second bead in a straight line directly under the predrilled holes
- H I Set the **Roof Header #B** against Fascia board and fasten using the #12x3" sms screws thru the fascia board into the truss ends. Go back and predrill a second 3/16" hole that will line up to hit the truss end and the predrill a 3/16" hole centered between each truss location.

PATIO COVER INSTRUCTION SHEETS

Make sure to have 2 screws within 4" of each end of the Roof Header



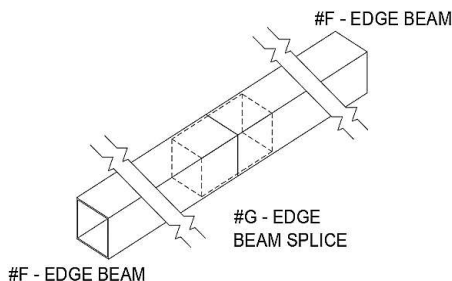
H2 If mounting to House wall OPTION #2 or #3,

After predrilling and caulking the **Roof Header(#B)**, Set the Roof Header against the Wall and fasten using the #12x3" sms screws thru the wall into the wall studs. Go back and predrill a second 3/16" hole that will line up to hit the wall studs. Fasten to the wall studs.

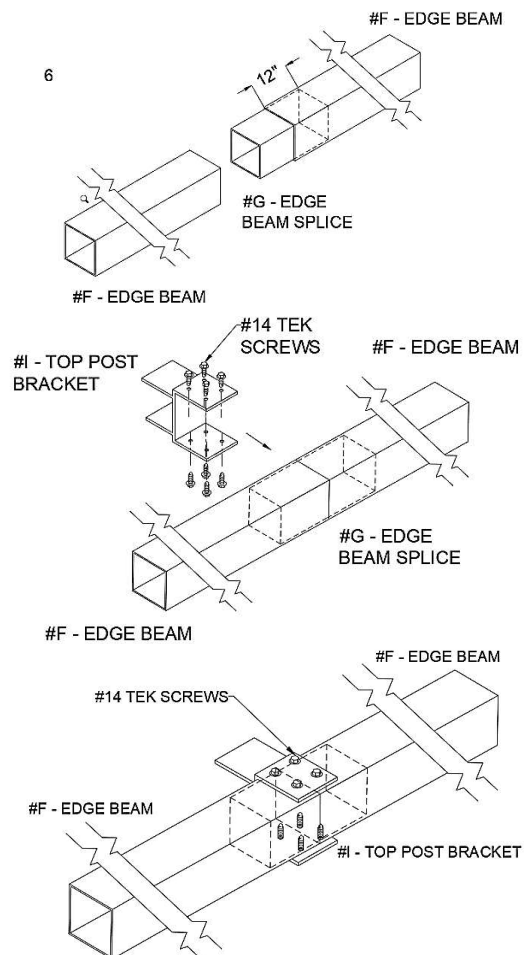
G After Roof Header is fastened, caulk around all the screw heads inside the header AND check top side and caulk spots if it did not squish out upward behind the Roof Header

STEP # 2A : 3" EDGE Single Beam Preparation (#F)

- A Set two pieces of the **3" Edge Beam (#F)** on a smooth flat surface (careful not to scratch)
- B Mark the **Edge Beam Splice (#G)** at 12" & slide into one Edge Beam (#F) to the 12" mark. Then slide the second Edge Beam over the splice and butt up against the first Beam.

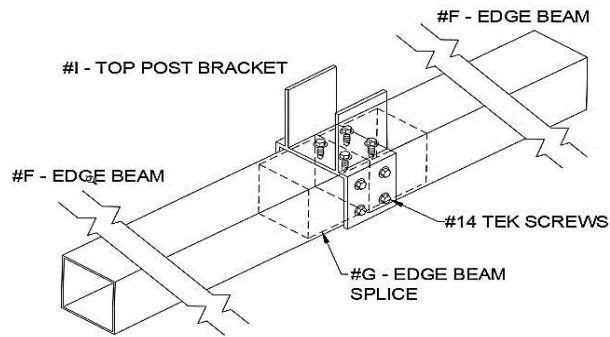


- C Take one **Top Post Bracket (#I)** and center it over the butt joint of the two **Edge Beams**. Fasten using **(2)two #14x1-1/4" teks screws** through the face of the Top Post Bracket, into one Edge Beam then into the Beam Splice(#G)



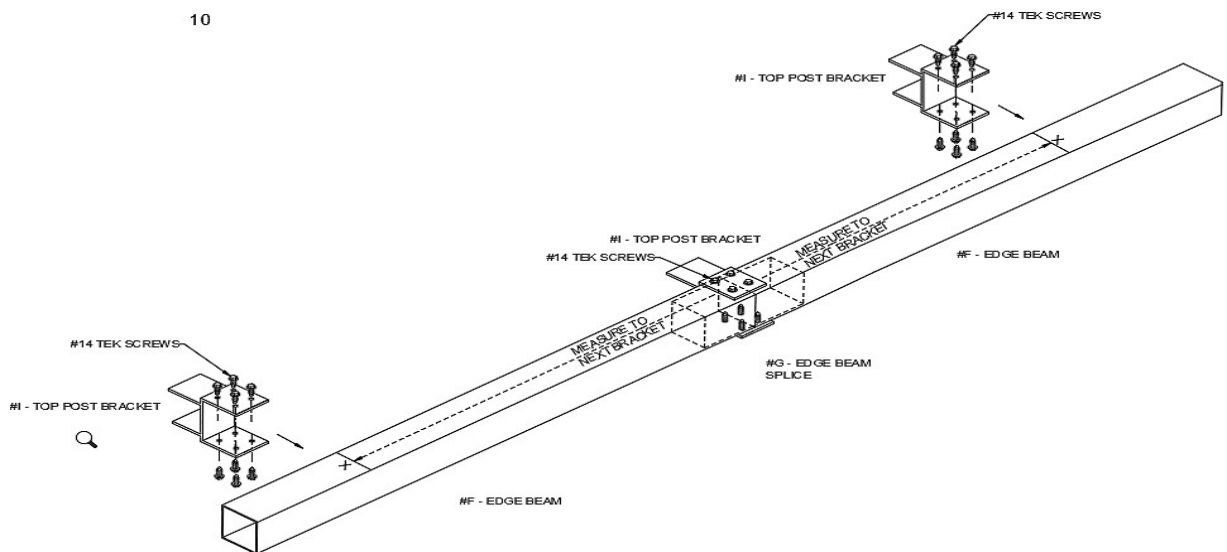
PATIO COVER INSTRUCTION SHEETS

- D Make sure both halves of the beam are straight, then fasten through the Top Post Bracket into the **second Beam** then into the Beam Splice using **(2)two #14x1-1/4" tek screws**
- E Rotate the beam over twice, make sure the beam is straight, then fasten repeating steps C&D fastening through the Top Post Bracket(#1) into both Edge Beams & the Beam Splice(#G)
- F Rotate the beam over one time so the **Top Post Bracket** legs are up, then fasten **(2)two #14x1-1/4" tek screws** into each 3" Edge Beam (4 total)



- G Rotate the beam one time. Butt measuring tape to the Top Post Bracket(#1) & measure to the left ___" then move measuring tape to the other side of bracket and measure to the right ___"
NOTE: refer to the **LAYOUT SHEET** for your size S.I.P. Patio Cover Top Post Bracket spacing measurements

10



- A **STEP 2B: Double Beam Preparation & Assembly**
 Follow & Complete STEP # 2A : 3" EDGE Beam Preparation STEPS A through G.

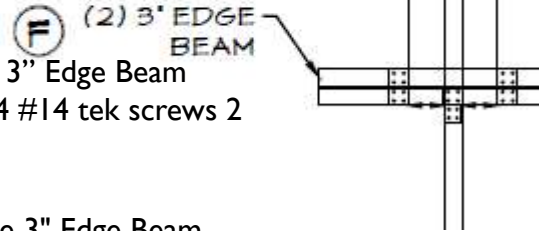
PATIO COVER INSTRUCTION SHEETS

Find the 8 "Setback Brackets."

Measure and place a pencil mark on the prepared 3" Edge Beam, 6" from each side of the Top Post Brackets (I).

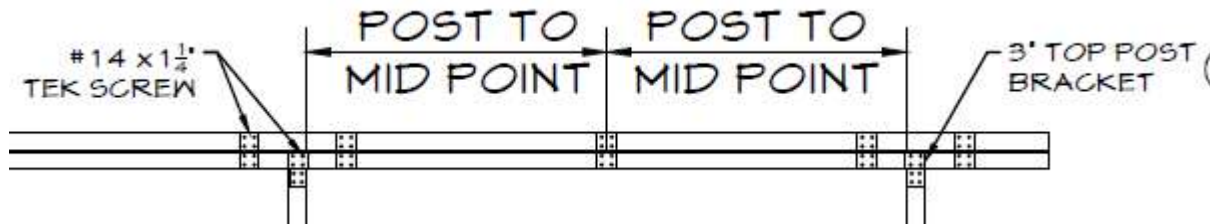
6" FROM POST
TO SETBACK
BRACKET

Set the brackets on the top side of the prepared 3" Edge Beam at the 6" pencil mark and fasten each side using 4 #14 tek screws 2 on each side.



6 Setback Brackets should now be fastened to the 3" Edge Beam.

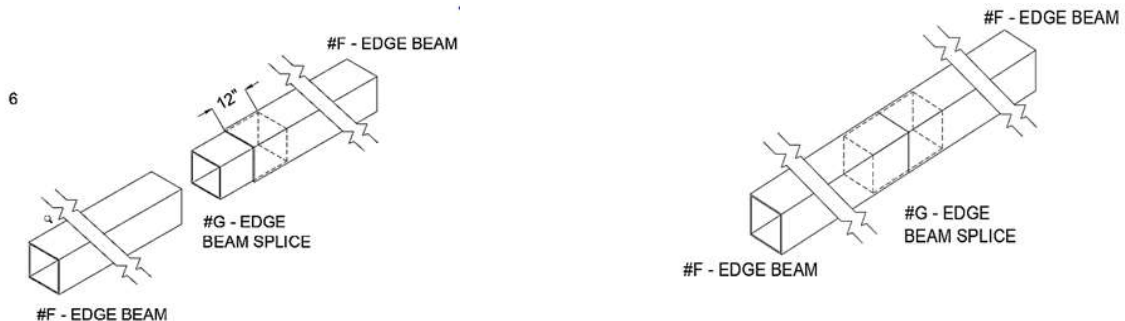
Measure between the Top Post Brackets and mark the midpoint on the 3" Edge Beam.



Center the Setback Brackets on the pencil mark and fasten using 4 #14 tek screws on each side.

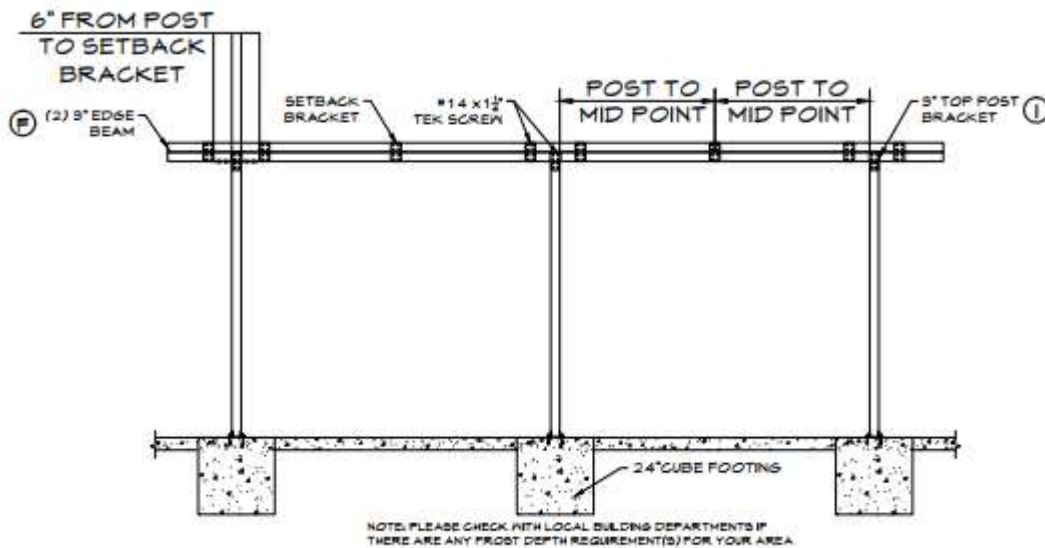
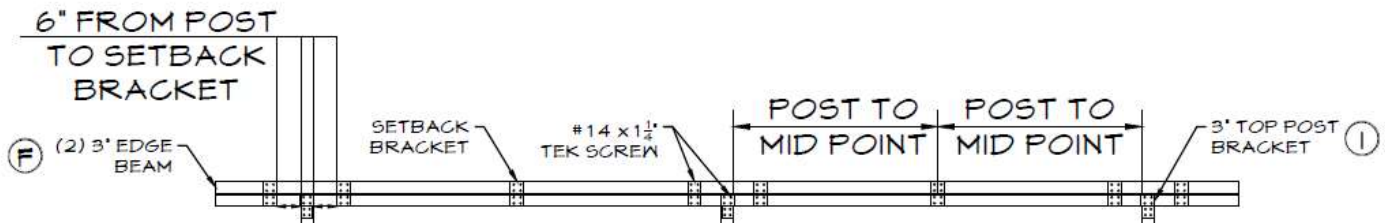
Set two pieces of the 3" Edge Beam (#F) on a smooth flat surface (being careful not to scratch it).

Mark the Edge Beam Splice (#G) at 12" & slide into one Edge Beam (#F) to the 12" mark. Then slide the second Edge Beam over the splice and butt up against the first Beam.



PATIO COVER INSTRUCTION SHEETS

Insert this second 3" Edge Beam into the top of the Setback Brackets. Make sure the ends of both 3" beams are lined up. Fasten the Double beam to the Setback Brackets using 4 #14 tek screws each side.



FRONT VIEW

SCALE : 1/4" = 1'-0"

STEP # 3 : Measuring, Leveling, Cutting, Fastening 3 x 3 Posts(#J) Radius Corners to Edge Beam(#F)

NOTE: the bottom of the 3" Edge Beam(#F) should never be lower than 80 inches

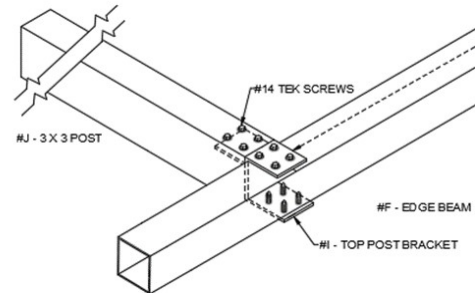
Place a Level on **Front Edge** of slab to determine which is the **LOW Side** (the left side or the right side). After determining the **LOW Side**, measure from slab up to the **bottom of the Roof Header (#B)** on that **LOW side**

PATIO COVER INSTRUCTION SHEETS

- B **Subtract 3-1/2 inches** from your measurement **AND *1/2" per ft** of your roof panels (*minimum) if your roof panels are 10ft = **5"** ... if roof panels are 12ft = **6"** *if you can get more pitch do it*

Example: if you bought a 12ft deep x 22ft wide S.I.P. Patio Cover :
and you measured **98** inches to the bottom of Roof Header - **98" - 3-1/2"** = 94-1/2"
then 94-1/2" - 6" = 88-1/2")

- C **Example = Cut your first post to 88-1/2 inches long**
D Slip YOUR first post tightly over the **Top Post Bracket(I)**
fasten through the post into the internal bracket leg
using **(4) four #14 x 1-1/4" tek screws** evenly spaced
on both sides



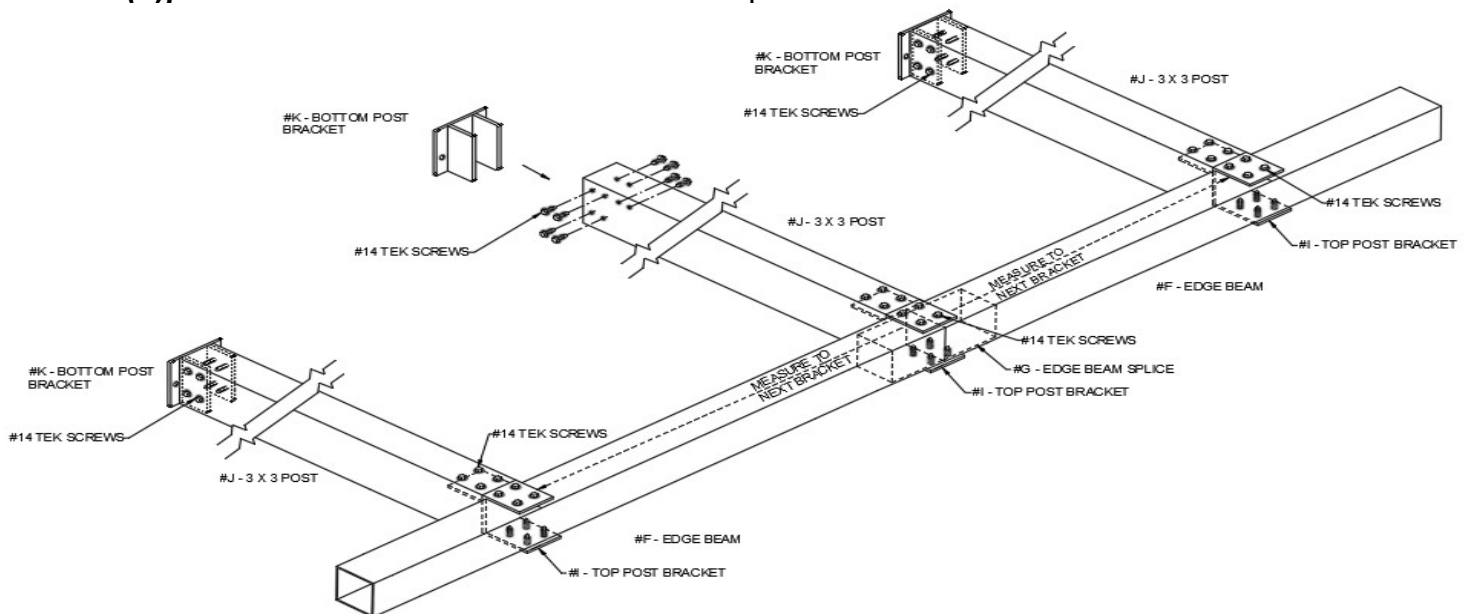
- E Place a Ladder at the first End Post for Person #1.
place second ladder near the opposite end for person #2. Stand up the attached Post and Front Edge Beam assembly while person #2 is holding the Front Edge Beam **LEVEL** & holding a **POST** against the Edge Beam



- F Person #1 tells person #2 to **Raise or Lower the 3x3 Edge Beam to get it level.** When it is level, person #2 will Mark along the bottom to the beam onto the post. **Cut the post under the line marked. Repeat STEP "3-D" to fasten the Post(#J) to the Edge Beam(#F)**
- G Using ladders and or your building buddies, hold the assembly of the 2 posts and Edge Beam upright. Then double check to **make sure the Edge Beam is LEVEL.** If it is not LEVEL, then cut one of your posts to make that adjustment.

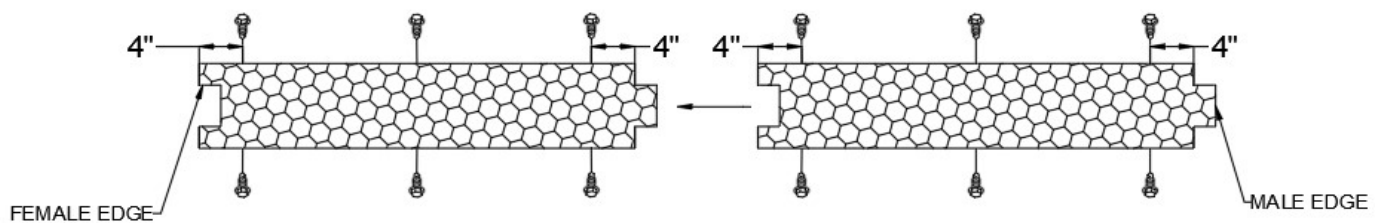
PATIO COVER INSTRUCTION SHEETS

- H Once the Edge Beam assembly is LEVEL, take a third post, hold it against the Edge Beam in the center location near the Top Post Bracket(#I), mark a line on the post along the bottom of the beam.
Cut the post above the marked line.
Repeat STEP "3-D" to fasten the Post(#J) to the Edge Beam(#F)
- I If you have more than 3 posts...**Repeat STEP "3-H" for any remaining posts**
- J **Laydown the Edge Beam and Post Assembly. Insert the Bottom Post Bases(K) into the bottom of each Post(#J). Fasten through the side of posts into the internal legs of the bottom base with (4)four #14 X 1-1/4" tek screws both sides of posts.**



STEP #4 Setting First and Last WeatherStopper INSULATED ROOF PANELS(#A)

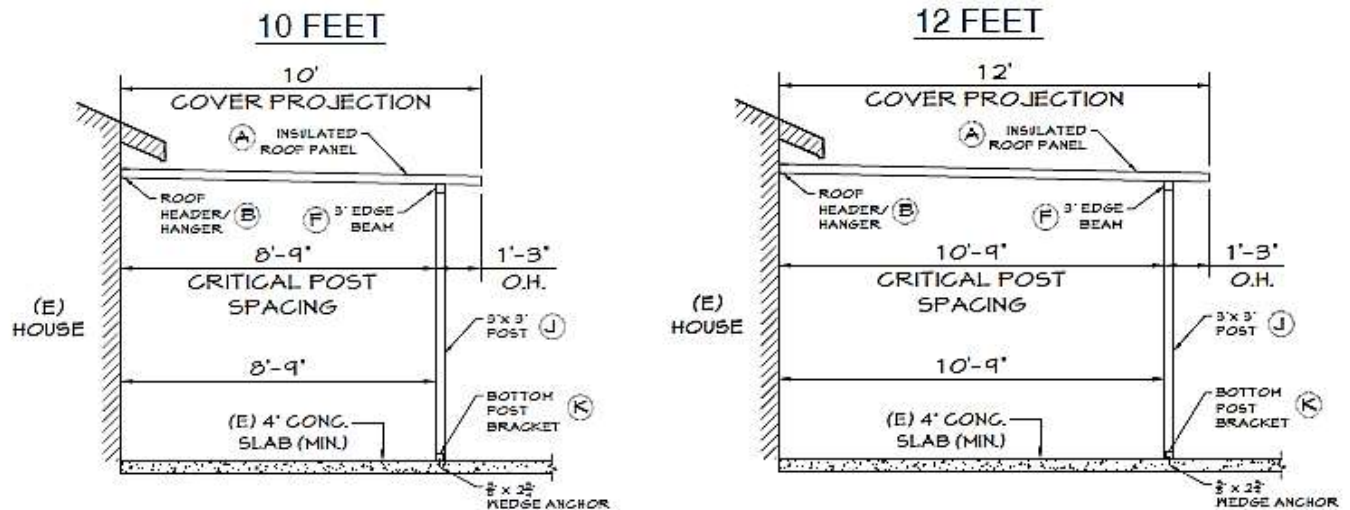
NOTE: keep ALL FASTENERS in all roof panels 4" AWAY from all Male & Female panel seam edges. Don't lay roof panels on ground flat, set standing up with male edge down



- A Carefully unpack and lift out two roof panels. Set one panel standing up with the MALE EDGE down on saw horses if you have them. Pull off the protector foam inserts along the female edge. Peel off the clear protective film off the aluminum skins on both sides of the roof panels. Carefully set panels aside.

PATIO COVER INSTRUCTION SHEETS

- B** See dwgs below, **measure and Mark the REAR SIDE of Post locations.** If you have **10ft roof panels** **measure/mark 8'-9"** or if **12ft roof panels** **measure/mark 10'-9"**. Mark post locations out from house wall for the first and last post....then pop a chalkline connecting the first and last marks.
****These post measurements are critical for future installation of Rolldown LifeScreens**

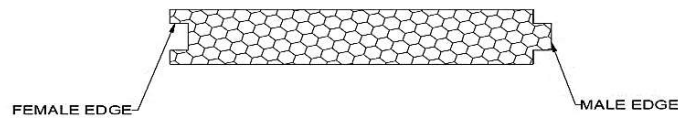


- C** **Stand up the Edge Beam and Post Assembly** tying to ladders or with a few building buddies. Square up the **left end of the Edge Beam** with the **left end of the Roof Header** on the house
Set the posts in front of your post chalkline

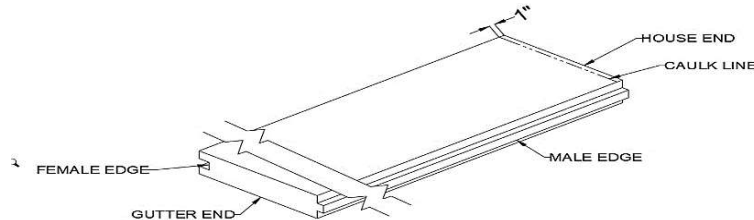


PATIO COVER INSTRUCTION SHEETS

- D Cut open a tube of sealant and load into caulking gun. Set ladder at house side, left end of Roof Header. Looking from backyard at the house, **have the FEMALE EDGE of ROOF Panel to the LEFT side. Look at both sides of the panel for any dents...** if there is a dent or ding you can **flip the panel so the dent will be on the TOP** of the S.I.P. Patio Cover.

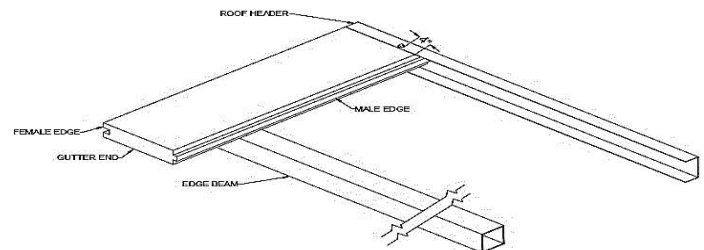
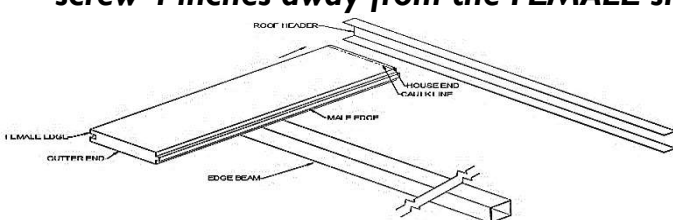


- E On the **HOUSE end of the ROOF PANEL, on the TOP side**, squeeze out a 1/4" bead of sealant on the Aluminum skin **ACROSS the 23" direction staying 1 inch away from the REAR edge of the panel**



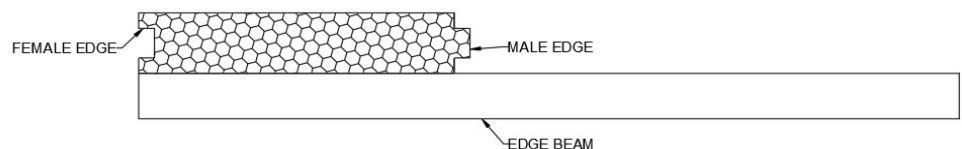
- F Use the cardboard end caps from roof panels or a towel and set on top of beam to protect roof panels from scratching.
- G Slide the gutter end of panel over the 3x3 Edge Beam... **then slide Roof Header end of panel into the Roof Header until it hits.**
- H Set the Female edge of roof panel even with the LEFT edge of Roof Header. Set a Framing Square inside the roof header and align with MALE Edge of panel.

Adjust the panel so it is square with the framing square. FASTEN down through top side of ROOF HEADER into the roof panel 4" away from the MALE edging using the #10 tek screw(stay 1 inch back from front leg of Roof Header)...recheck Roof Panel is Square and fasten a second screw 4 inches away from the FEMALE side



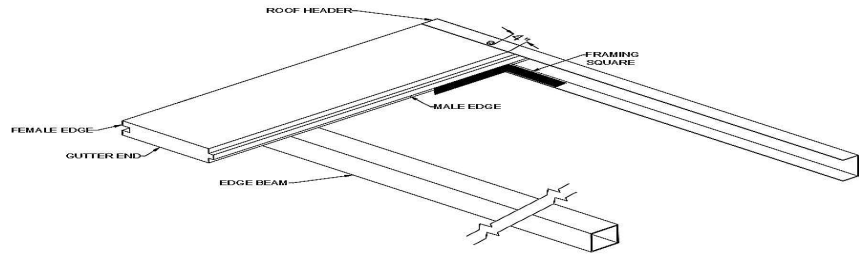
- I Slide post and beam assembly so the left end of the 3x3 Edge Beam is even with the left female edge of the roof panel.

RECHECK the roof Panel is SQUARE & adjust Edge Beam to be even to left FEMALE edge of roof panel

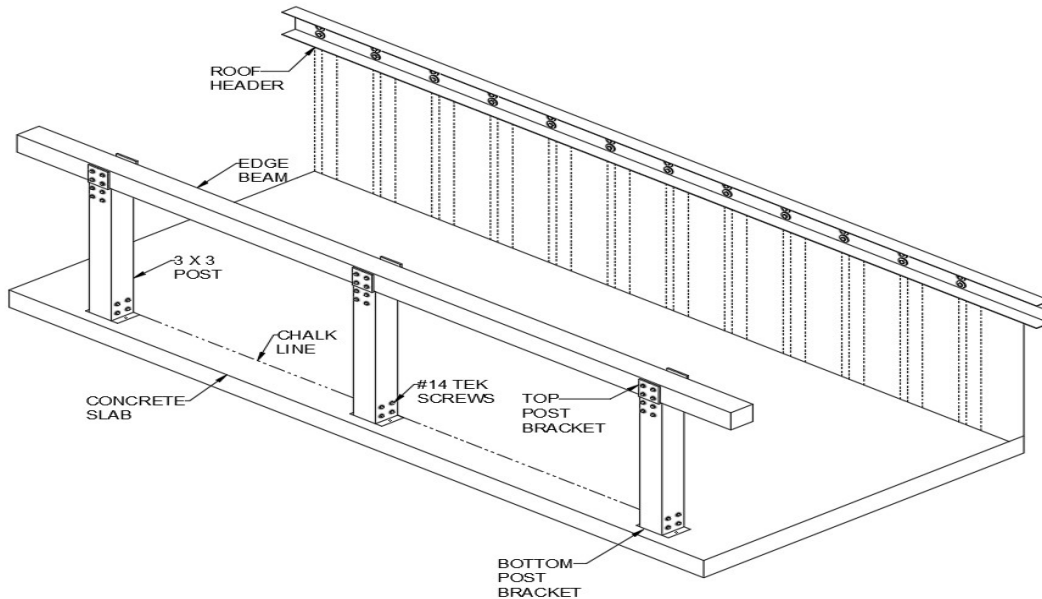


PATIO COVER INSTRUCTION SHEETS

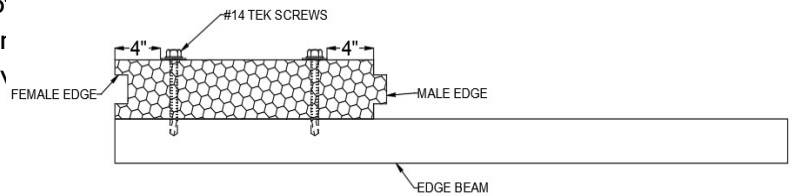
Check Roof panel is SQUARE



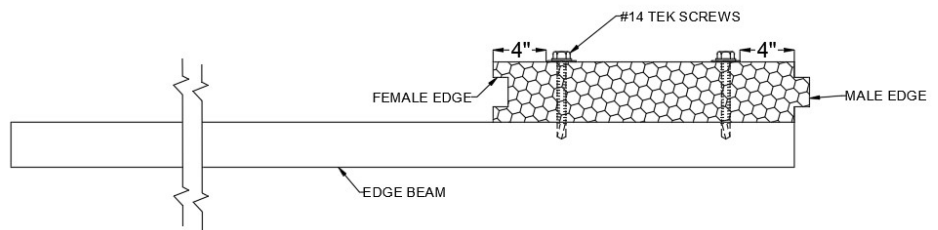
J Line up all **POSTS** on the front side of the chalk line popped in step #4-B



K **Keeping back side of post BOTTOMS on the chalk line...Plumb level the front side of the post, only moving the top...when it is plumb level, REMOVE THE CARDBOARD... Then Use a hammer to slowly drive a 5inch tek screw with washer SLOWLY through the top skin of ROOF PANEL until it hits the BEAM** keeping it **4 inches away from MALE edge** of screw into the BEAM until washer hits top skin of roof panel. FASTEN another 5inch tek screw 4 inches from the FEMALE side of Roof Panel



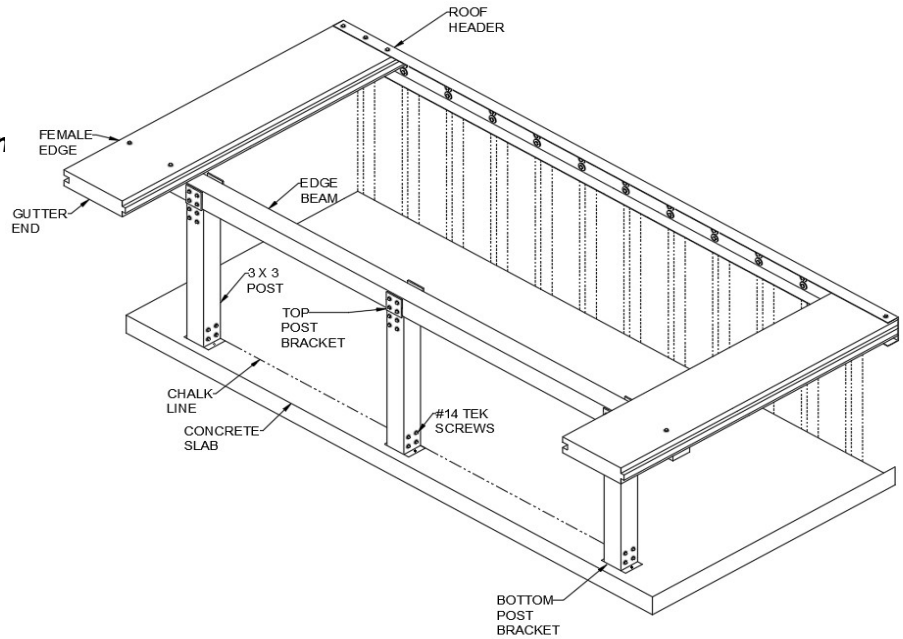
L Go to far right end of 3x3 Edge Beam with second roof panel. **Repeat steps 4E thru J ... Keep the MALE EDGE of roof panel even with right edge of beam**



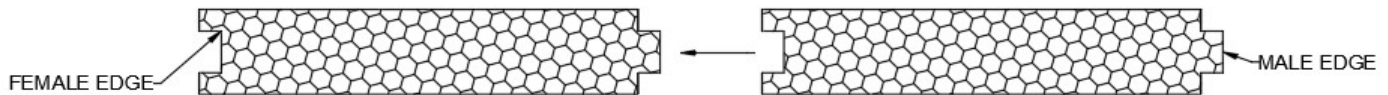
PATIO COVER INSTRUCTION SHEETS

- M ANCHOR the POSTS:**
 Set each post in front of the chalk line...use **4ft level** to **plumb level the post on front and side of each post.** Once **post is plumb level both directions drill a 3/8" hole** through the **Bottom Post Bracket(#K)** into the slab and insert the **WEDGE ANCHORS** and tighten

Repeat for each post

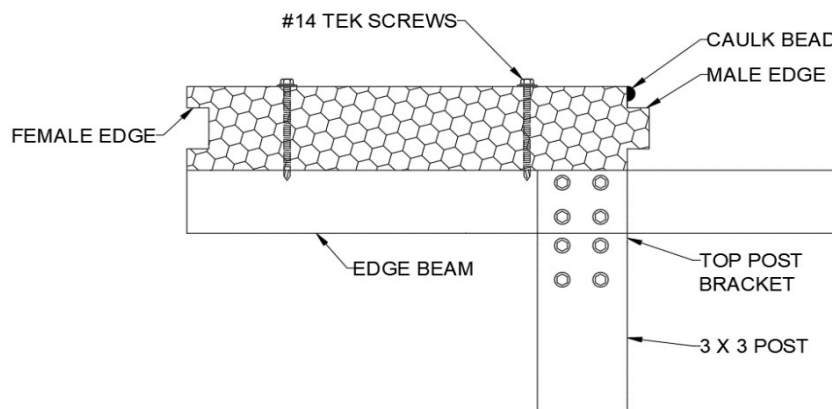


STEP #5 : Setting All Roof Panels



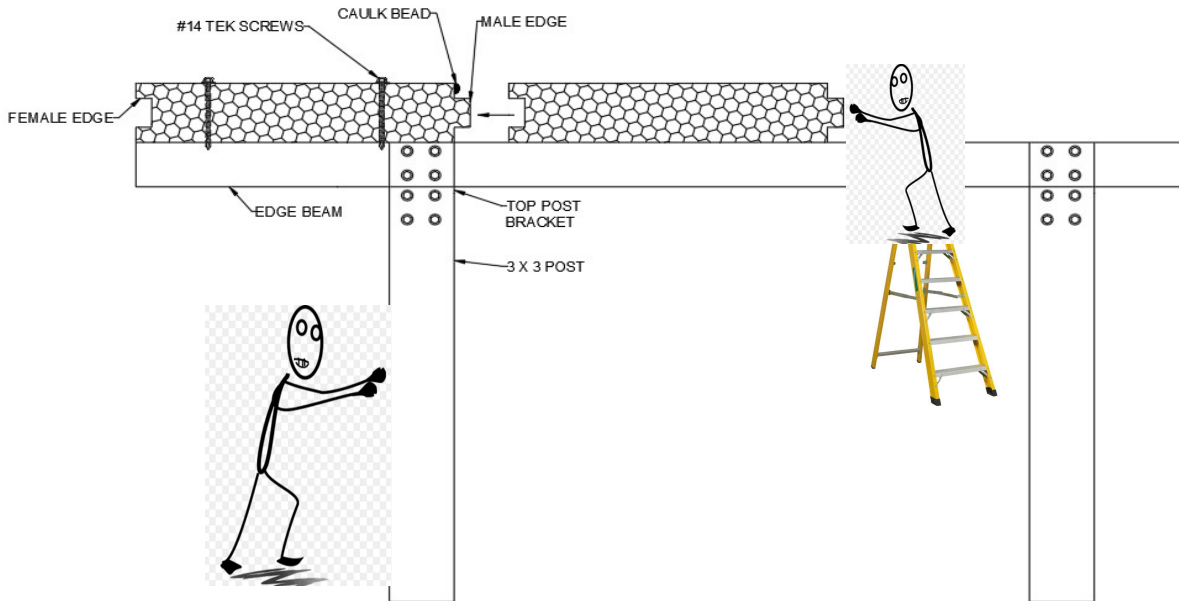
3' INSULATED ROOF PANEL

- A** Carefully unwrap the next roof panel...look for any dents....turn panel so any dents or dings are up on top side.
- B** You will be **starting on LEFT side** of patio cover (looking from backyard at the house). **Run a bead of sealant** on the **TOP SIDE** of the first installed roof **in the MALE EDGE only**, as shown in dwg.



PATIO COVER INSTRUCTION SHEETS

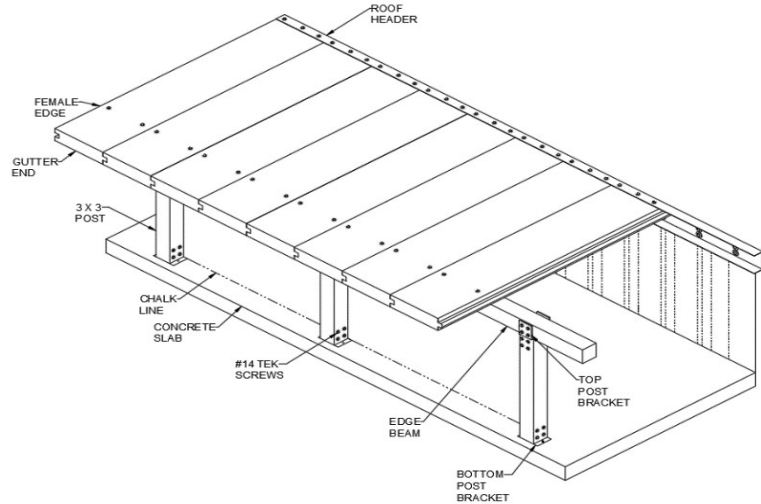
- C Having the **Next Panel Unwrapped... repeat Step 4-E&F**
Keep ROOF PANEL 4" away from first panel and slide it all the way into the ROOF HEADER
Person #1 stands by the first post to hold it steady while **person #2 is on ladder chest high with roof panel**. Person #2 counts "1,2,3 PUSH" then **Pushes the Roof Panel "medium Hard"** to lock into the first panel...person #1 will be bracing the post for the impact of the panels locking together



- D **Look at the Bottom Seam** of the two locked panels ... up to a **1/8" Seam Gap is Normal**.
If the Gap is larger, then **carefully push** the panel more.... to close the seam tighter.
BE CAREFUL not to dent the panel when pushing...
NOTE: CHECK EVERY SEAM AFTER PANELS ARE LOCKED BEFORE FASTENEING
- E Then **Fasten through Top of Roof Header downward** into the panel with one #10 tek screw keeping **4 inches away from the male panel edge & 1 inch back from the front edge of Roof Header Leg**
- F Person #1 **checks FIRST Post SIDES to be Plumb Level** then person #2 Uses a hammer to tap a 5" long Tek screw with washer through the top of roof panel until it hits the beam...**STAY 4 INCHES AWAY FROM MALE EDGE... Fasten the 5" screw into beam** until washer hits top side of panel. DO NOT fasten too tightly as it will interfere with the next roof panel locking into it.
NOTE: THE SQUARE DOES NOT NEED TO BE USED ANYMORE. AFTER EVERY OTHER ROOF PANEL IS FASTENED, CHECK A POST TO BE PLUMB LEVEL ON THE SIDE OF THE POST (not the front or back)... **IF NEEDED GIVE THE POST & BEAM ASSEMBLY A PUSH IN THE NEEDED DIRECTION TO GET THE POST PLUMB LEVEL.**
- G **REPEAT STEPS 5-A,B,C,D,E,F until there is one roof panel left** to put up.

PATIO COVER INSTRUCTION SHEETS

- H When there is one roof panel left on ground to put up. STOP.
Unfasten and remove the last panel

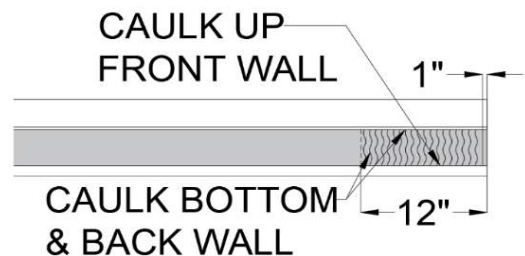
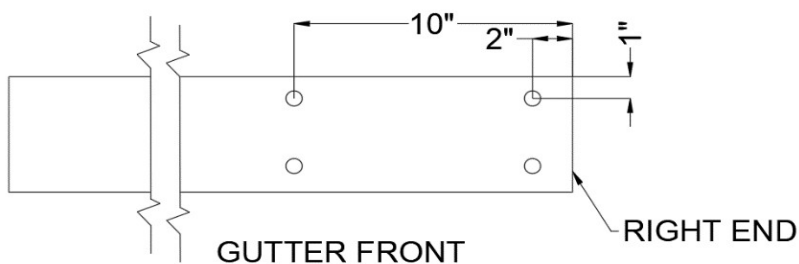


- I On the **HOUSE end of the next ROOF PANEL**, on the **TOP side**, **squeeze out a 1/4" bead of sealant** on the Aluminum skin **ACROSS the 23" direction** 1 inch away from the REAR edge of the panel **Same as STEP 4E**
- J **REPEAT STEPS 5A,B,C,D,E,F**
- K **Put up the last ROOF PANEL & REPEAT STEPS 5I & J**
NOTE: the last ROOF PANEL, Male Edge might overhang the 3x3 FRONT EDGE BEAM and the ROOF HEADER slightly...that is OKAY... it will get covered up by the EXTRUDED FASCIA(#E)

STEP #6 : Installing Extruded Gutter(#D) A39I

- A Take one piece of **Extruded Gutter(#D)** and the **Gutter Splice(#C)**. Measure the **Gutter Splice(#C)** and mark it at 12". Measure inside the Right End of **Extruded Gutter(#D)** 12" and mark it.
- B **Hook Tape on Right End** of Extruded Gutter(#D) and **measure to the LEFT** and **mark at 2" & 10"**... then **Measure up 1" from Gutter Bottom and Down 1" from the TOP**. **Make the 4 Marks for Splice Screw Locations**
Use sealant in the bottom corners of the Gutter, zig zag across the bottom, the gutter front and back to the 12"mark ... **stay 1" away from RIGHT Gutter EDGE**

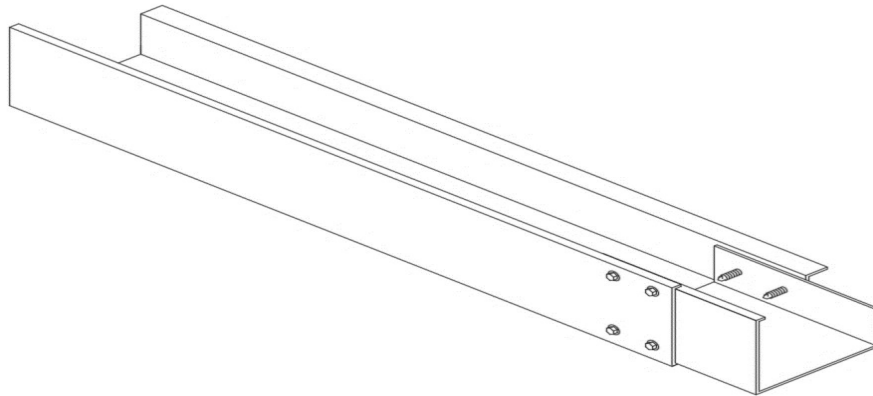
Gutter Top View



PATIO COVER INSTRUCTION SHEETS

- C Set the **Gutter Splice(#C)** into the **Extruded Gutter(#D)** up to the 12" Mark

Push the Splice down tight into Gutter & the Sealant, **Fasten through the Gutter FACE** using (4) Four #10 tek screws **through the Four Marks** ...Fastening through the Gutter and into the Splice



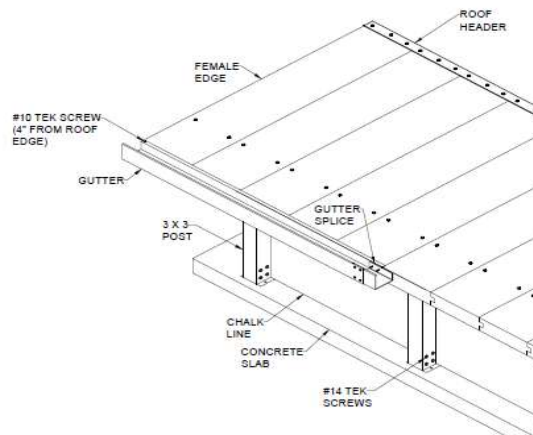
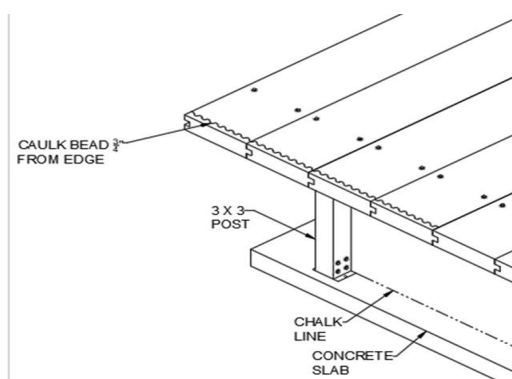
Fasten (2)Two #10 tek screws through the **Back Side of the Gutter 2" away from each end of the Splice & 1-1/2 inch up from bottom of gutter**

- D **Caulk the screw threads inside** the Gutter & Splice. **Caulk the LEFT edge of the Gutter Splice, gutter bottom and up the sides & smooth it out**

- E **Measure the Length of Extruded Gutter (#D).**

Transfer that measurement to TOP of ROOF Starting on LEFT end measuring to the RIGHT plus 1 inch Mark it

Squeeze a sealant bead 3/4" from front edge of roof panel **on TOP of Roof Panels to that mark**

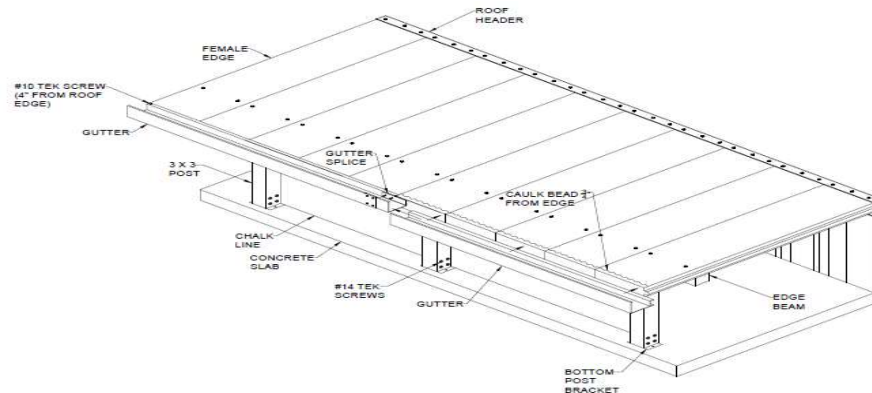


Lift up Gutter and Splice assembly, push it against the roof panels ...let the **Gutter be past the LEFT edge** of the FIRST LEFT Roof Panel by **1/16 inch**

- F **Stay 4 inches away from the left Edge** of Roof Panel, **Fasten through the Gutter Leg** downward into the Roof Panel **using (1)one #10 tek screw**...**ONLY ONE SCREW** for NOW

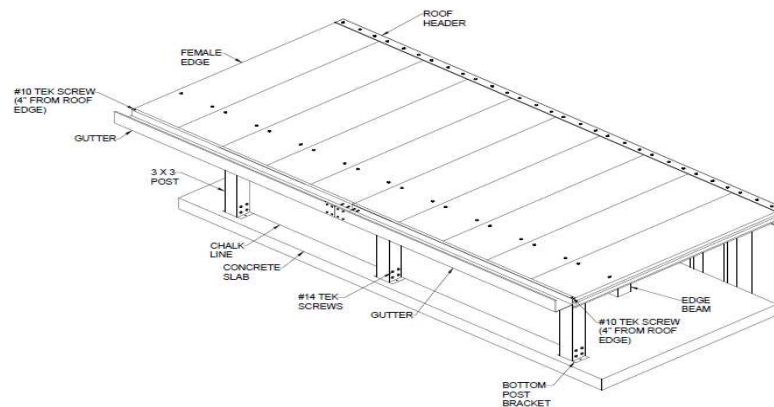
PATIO COVER INSTRUCTION SHEETS

- G Take Second piece of Extruded Gutter(#D). **Measure inside the LEFT End of Extruded Gutter(#D) 11-1/2" and mark it. Hook Tape on Left End of extr Gutter(#D) and measure to the RIGHT and mark at 2" & 10" on gutter face...** then **Measure up 1" from Gutter Bottom and Down 1" from the TOP. Make the 4 Marks for Screw Locations on the Face of Extruded Gutter.** Use sealant in the bottom corners of the Gutter, zig zag across the bottom, the gutter front and back **as in STEP 6B. Squeeze a caulking bead 3/4" from front edge of roof panel on TOP of Roof Panels to the END**
- H **Hold the Second Extruded Gutter(#D) at the end of the Gutter Splice(#C). Slowly push the gutter onto the Roof Panels and slide to the LEFT over the Gutter. Splice** until the two gutters butt together



Align the two Gutters for a good fit, making sure they are straight, pull them in or out for that good tight fit...at the Four Marked locations **fasten through the FACE of second Gutter into the Gutter Splice. Caulk and Seal inside the splice ... screw threads and RIGHT edge of Splice** as in STEP 6D

- I When splice joint is a good tight fit, **adjust gutter to be straight on the roof panels.** Staying **4inches away from the Roof Panel Seam** near the Splice, **Fasten through the Gutter Leg** downward into the Roof Panel using one(1) #10 tek screw.
- J Go to **Far RIGHT END of Roof panels** staying **4inches away from the RIGHT Edge of Roof Panel, Fasten through the Gutter Leg downward** into the Roof Panel using one(1) #10 tek screw.

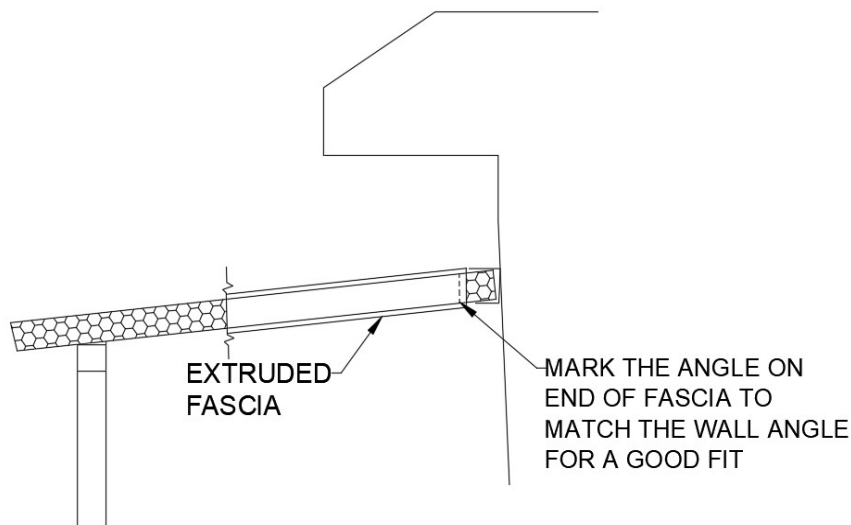


PATIO COVER INSTRUCTION SHEETS

STEP #7 : Installing Extruded Fascia(#E)

NOTE: for ease of installation the Extruded Fascia for each side comes in 2 pieces to be butt together.

- A Take one piece of **Extruded Fascia(#E)** hold up **against roof panel at house end**. Check if it will need to be cut at an angle...**Mark the angle** at the very end of the Fascia(#E) **CAREFULLY Only cut near the very end of the Fascia(#E)**. Test fit the cut. Cut it again if needed for a better fit.



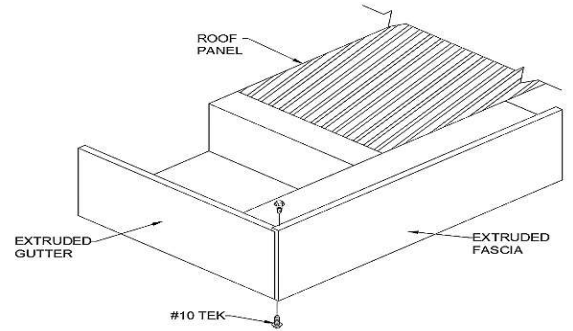
- B **Push the fascia on the roof panel**, slide it **against the house end**, Fasten the Fascia(#E) through the top leg into the roof panel using (1) one #10 tek screw
- C Take Second piece of Fascia(#E), **push onto roof panel and butt tightly against first fascia. Mark the front of Gutter onto the Fascia & CAREFULLY cut it. Push the Fascia on the Roof Panel, slide it tightly against first Fascia.** The TOP LEG of Fascia fits over the Top Leg of Gutter, the BOTTOM LEG of Fascia fits UNDER the Bottom of the Gutter.



- D **Fasten down through TOP LEG of Fascia into Gutter Top Leg** using (1) #10 tek screw
Fasten upward through BOTTOM LEG of Fascia into Bottom of Gutter near front corner

PATIO COVER INSTRUCTION SHEETS

- E Adjust the two Fascias where they butt together for straight joint. Fasten through the top legs of Fascia into roof panels
- F Fasten the TOP LEG of Fascias down into Roof Panels...spacing screws no more than 24" apart. Then Fasten Upward through the bottom leg of the Fascia using the same 24" spacing.

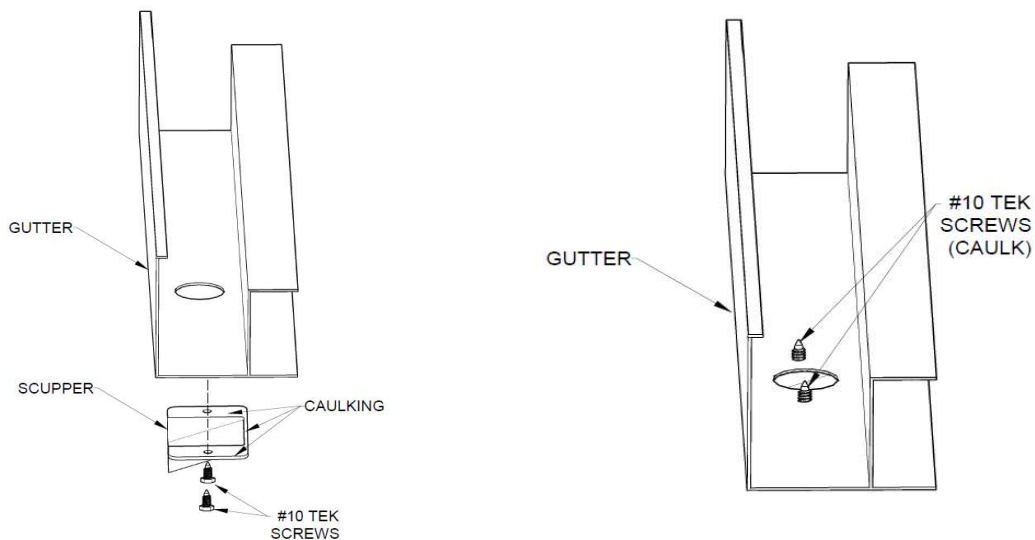


- G Move to Left End of Patio Cover and repeat STEPS 7-A to F

STEP #8: Installing Scupper Drains(#L)

NOTE: you will need a 1-1/2" to 2-1/8" hole saw

- A Line up your **Scupper Drain Holes** typically centered with the First and Last Posts
Drill your holes using the HOLE SAW... one hole per drain, centered in gutter bottom



- B Squeeze a **light bead of sealant** on the top legs of Scupper Drain(#L)
Face the Drain OUTWARD to the Backyard & Push the Scupper Drain to bottom of the Gutter
CENTERED over the Hole
- C **Fasten upward to Bottom of the Gutter** using (2) two #10 tek screws and **caulk around the screws inside the gutter**

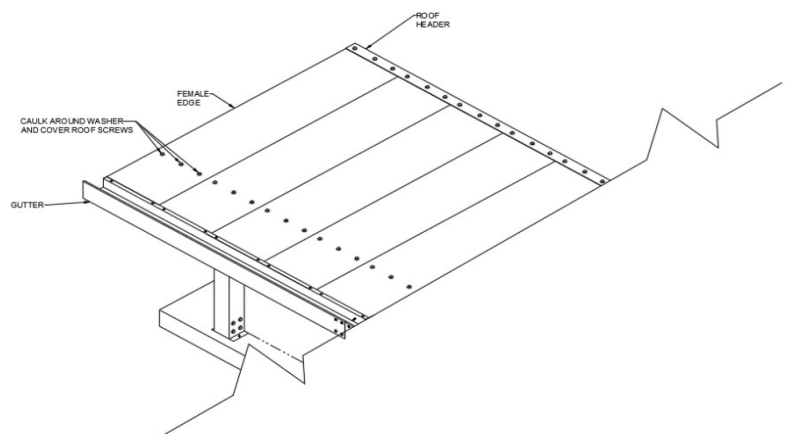
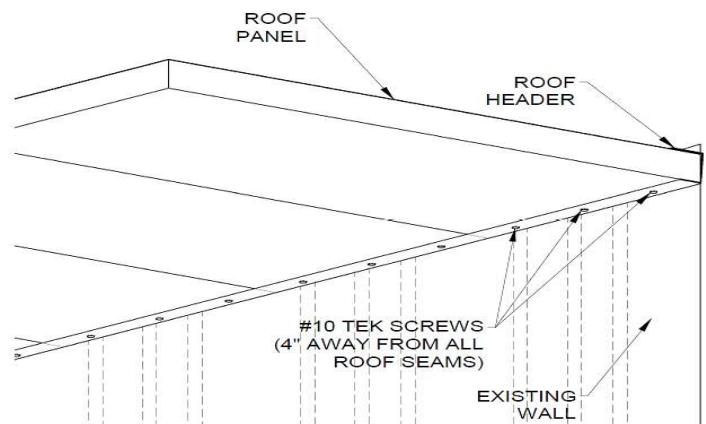
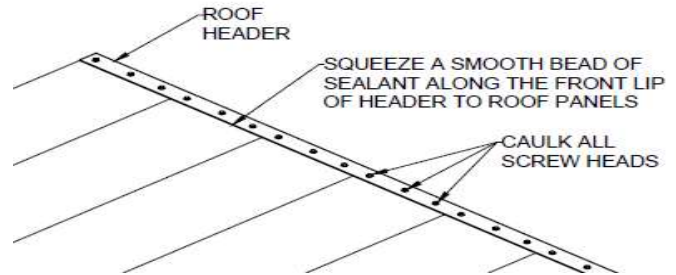
PATIO COVER INSTRUCTION SHEETS

STEP #9: Finish Fastening & Sealing

NOTE: Do Not walk of Roof Panel SEAMS

ROOF PANELS

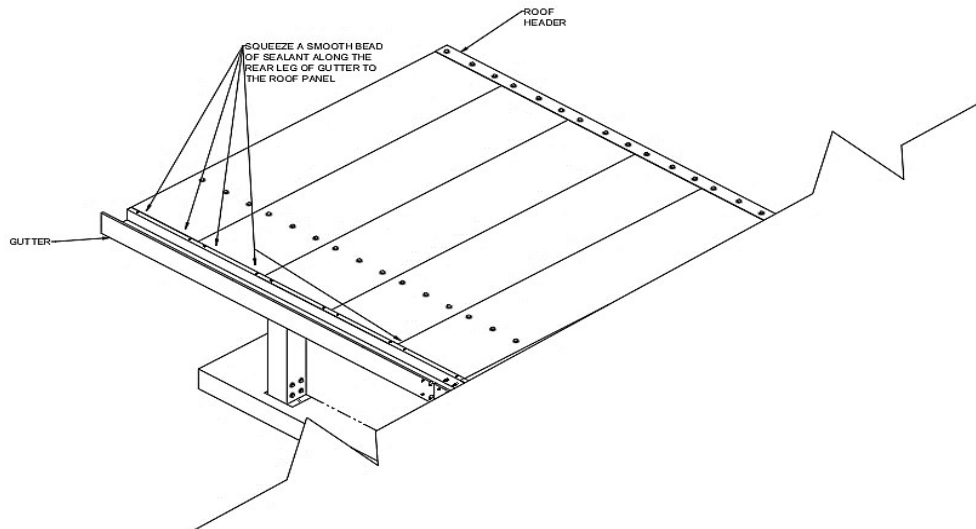
- A **Fasten TOP side of Roof Panels** downward through the **Roof Header(#B) Leg** into the roof panels **using (3)Three #10 tek screws**.
****Keep All fasteners 4inches away from all roof seams****
(3) Three screws in each panel.... 4" from each seam and (1) One in the Center
- B Caulk around and on Top of every roof screw just fastened
- C Squeeze a smooth **Bead of Sealant along the FRONT LIP of Roof Header(#B) and the Roof Panel**
- D If Sealant at **Roof Seams** did not Squish up, go ahead and **Caulk over the Roof Seams** where it is needed
****DO NOT WALK ON Roof Seams****
- E Caulk around & cover the TOP Screws of Fascia(E) and along the leg to the Roof Panel
- F **Fasten the BOTTOM of all Roof Panels Upward through the Bottom Leg of the Roof Header (#B)...** (3)Three screws each panel 4inches from each Seam & (1)one in the Center
- G **Fasten all Roof Panels to 3" Edge Beam(#F) using the 5" Tek screw with washer.** (3) Three screws each Roof Panel. Keep **4inches away from each Roof Seam and one in the Center**. Tighten to a very **Slight Dimple** of the top roof skin...NOTE: not too tight. **Seal around the washer and cover the screw head and washer completely**



PATIO COVER INSTRUCTION SHEETS

Fastening & Sealing the GUTTER

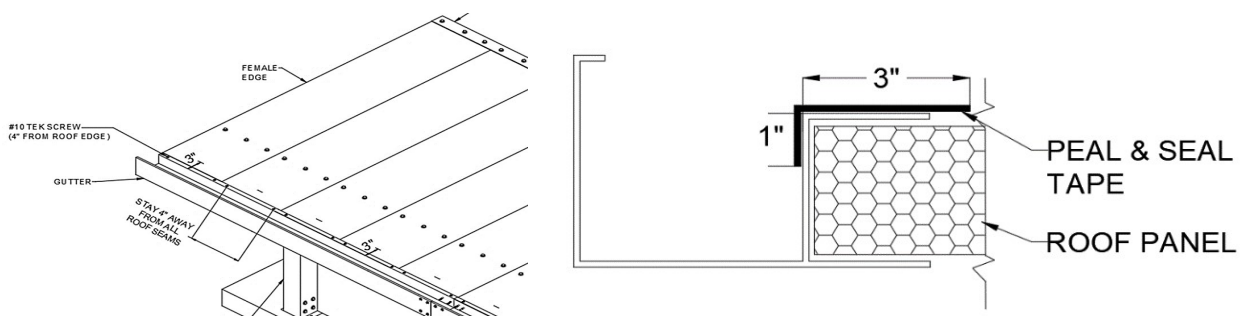
- A Fasten through the **TOP of Gutter Leg downward into the Roof Panels**
(2) Screws per roof panel, 4inches away from all roof seams
- B Fasten Upward through the Bottom Leg of Gutter into the Roof Panels
(2) Screws per roof panel, 4inches away from all roof seams
Caulk around and on Top of every Gutter Screw on TOP SIDE ONLY
- C **On TOP SIDE ONLY Squeeze a Smooth Bead of Sealant along the back Leg of the Gutter to the Roof Panel**



STEP #10: Peel n Seal taping the Roof Seams, Roof Header and Gutter

NOTE: ALL CAULKING SEALANT MUST BE CURED FOR 24 HOURS BEFORE YOU CAN INSTALL THE PEEL n SEAL TAPING & ROOF MUST BE CLEAN & DRY

- A **Wipe Off the Rear Leg of the Gutter** on TOP of the ROOF and about **4inches of the Roof Panel** Hook Measuring Tape to the inside of Gutter and **Measure back onto the Roof Panel and Mark it at 3". Repeat & Mark at the Center of every Roof Panel**
Measure the Front Roof Width, add 3inches and cut a strip of Roof Tape
- B **Peel off the paper backing about 24" at a time...**starting at one end of the roof...**Line up the Tape to run in FRONT of the 3inch marks** on the Roof Panels toward the gutter, **over the Gutter Leg & screws and roll it down into the Gutter...**trim it to fit at the end.



PATIO COVER INSTRUCTION SHEETS

- C **Measure the Roof Top from the attachment against the house, outward to inside the Gutter Edge & add 2 inches**

Count how many roof Seam Joints you have then Cut that many Strips of Peel n Seal tape

NOTE: you can piece 2 pieces together if needed and overlap them 3 inches.

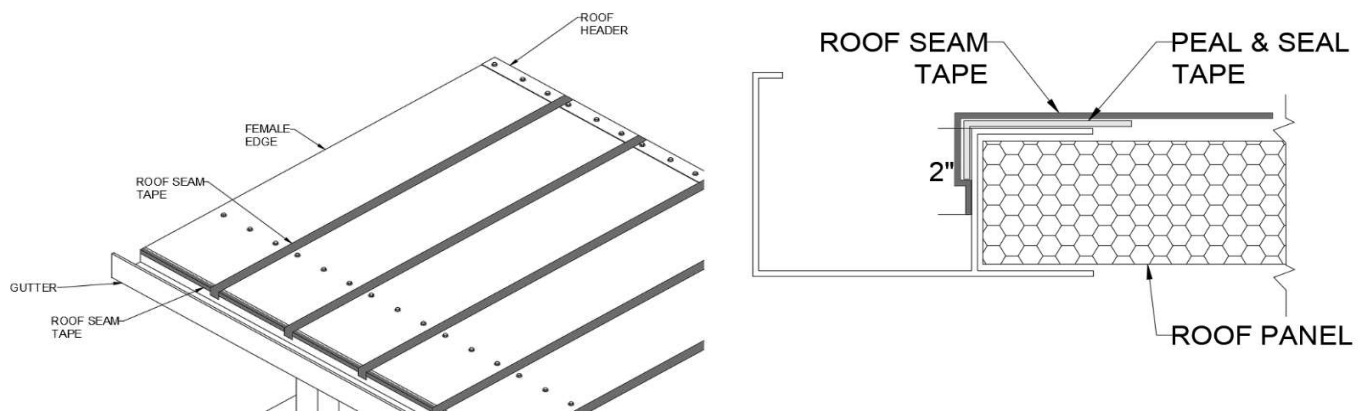
- D **Wipe Clean the Roof Seam Joints 4 inches on both sides of every Seam**

Peel off the paper backing about 24" at a time...**starting 2" on Top of the Roof Header, Centering the Tape 2 inches on each side of the Roof Seams...**moving Downward over the **Gutter Leg and down into the Gutter**

Smooth out the Tape as you move down toward the Gutter... **Smooth it Tightly against the Sealant and Outward away from the Seams in Both Directions...Make sure the Edges are stuck well**

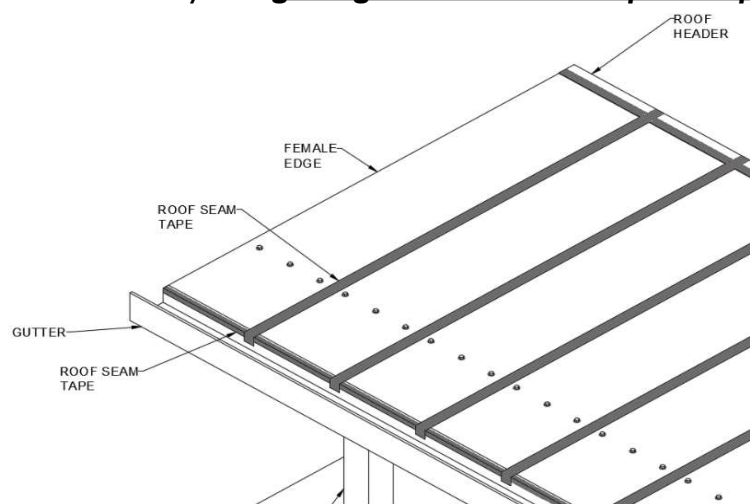
TIP: You can use an Old Credit Card or plastic putty knife to smooth out the Tape.

- E **Tape every Roof Seam Joint**



- F **Measure the Roof Width, add 3 inches and cut a strip of Roof Tape**

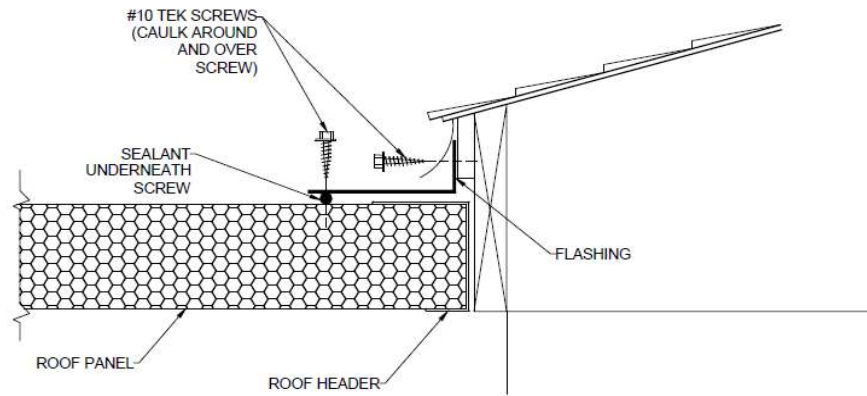
Peel off the paper backing about 24" at a time...**Start at one end of the Roof Header, Centering the Tape 2 inches on the Roof Header and 2 inches onto the roof panel ...** covering the Roof Header Screws. **Smooth out the Tape...** take care **when Tape Overlaps Tape or goes over screws** that it is smoothed over each other very well **getting Good Adhesion Tape to Tape**



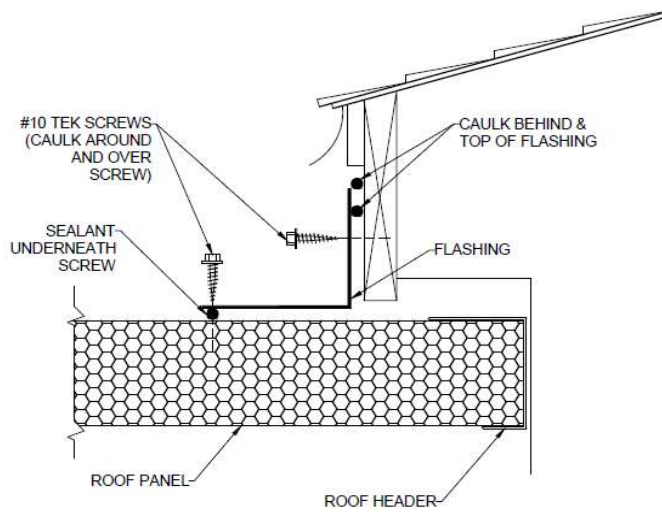
PATIO COVER INSTRUCTION SHEETS

Step 11: Flashing

OPTION #1 FLASHING MOUNT



OPTION #2 FLASHING MOUNT



OPTION #3 FLASHING MOUNT
(MANUFACTURED HOME)

