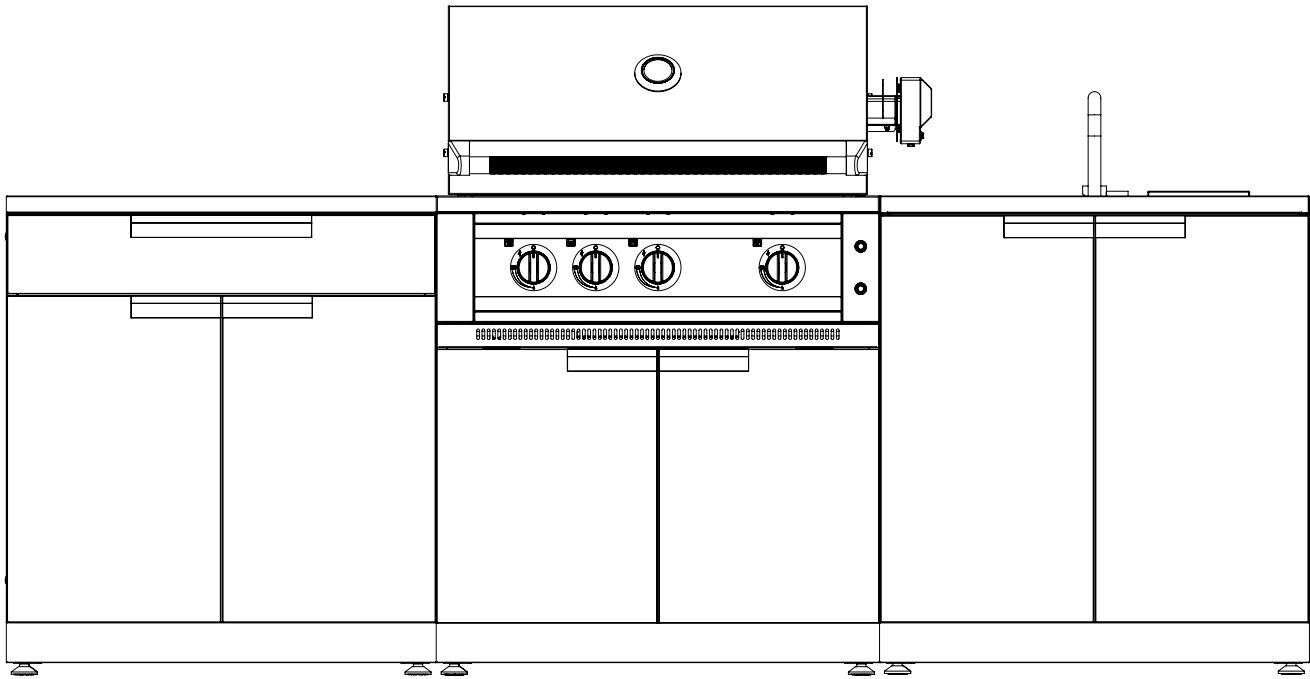




Classic Outdoor Kitchen Cabinet Series

MASTER INSTALLATION GUIDE



Warning: Excessive weight hazard!



Use two or more people to move, assemble, or install Cabinet to avoid back injury. Do not leave children unattended near the cabinets. High risk of tipping if cabinets are installed incorrectly. For assistance, call 1.877.306.8930; e-mail at info@newageproducts.com.



ATTENTION:

Is your Cabinet damaged?
Need help or spare parts? For fastest service, contact NewAge Products at 1-877-306-8930; or support@newageproducts.com.
Do not return to the retailer.

IM-OKC1.80A-01

Index

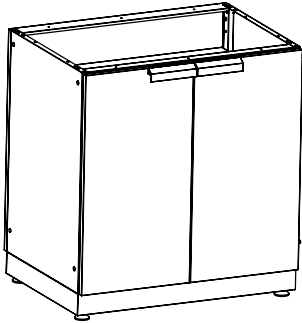
Unpacking	4
Product Inspection	4
The Classic Outdoor Kitchen Cabinets - Stainless Steel	5
The Classic Outdoor Kitchen Cabinets - Grove	6
The Classic Outdoor Kitchen Cabinets - Aluminum Grey Glass	7
Tools Needed	8
Components of Assembled Cabinets	9
Outdoor Area Preperation	16
Installing Anti-Tipping Brackets	19
Installing the Wall Cabinets	21
Installing the Legs/Floor Levelers	23
Installing the Handles	24
Installing/Removing the Drawers	25
Preparing the Sink Cabinets	26
Assembling the 90° Corner Cabinet	29
Creating the 90° Corner	31
Creating the 45° Corner	33
Attaching the Cabinets	35
Adjusting the Door Hinges	36
Installing the Countertops	37
Inserting the Cabinet Shelves	41
Installing the NewAge Insert Grills	42

Installing Custom BBQ & Filler Brackets	44
Installing the NewAge Side Burner	45
Installing Propane Tank	46
Preparing the Kamado Cabinet	47
Installing the Kamado onto the Cabinet	48
Installing the Cabinet Covers	49
Care and Mainenance	55
Spare Parts List	57
MANUFACTURER WARRANTY	64

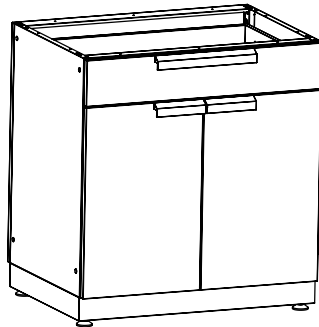


The Classic Outdoor Kitchen Cabinets

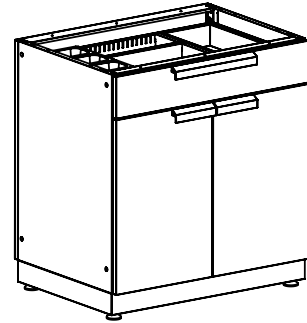
Cabinets - Stainless Steel



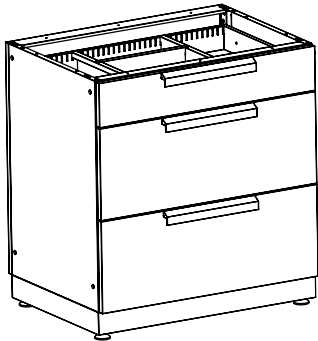
32" 2-Door Cabinet
SKU# 65000 | SKU# 70001



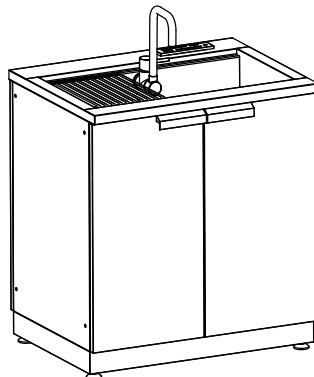
32" 2-Door Split Cabinet
SKU# 65014 | SKU# 70004



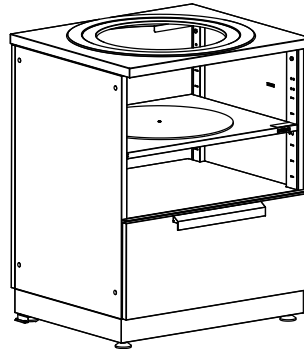
32" Bar Cabinet
SKU# 65003 | SKU# 70005



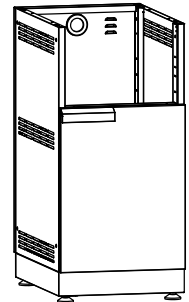
32" 3 Drawer
SKU# 65002 | SKU# 70003



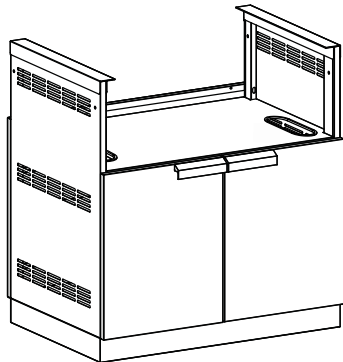
32" Sink Cabinet
SKU# 65001 | SKU# 70002



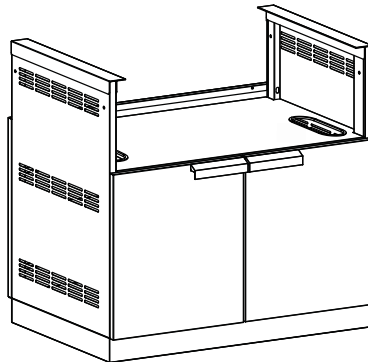
28" Kamado Cabinet
SKU# 65010 | SKU# 70006



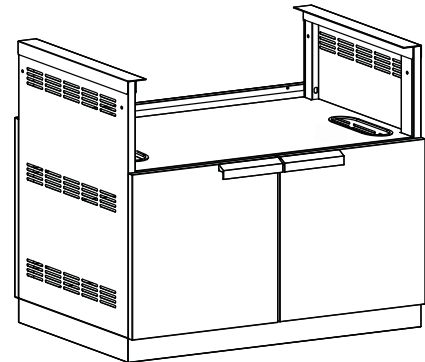
16" DSB Cabinet
SKU# 65012 | SKU# 70000



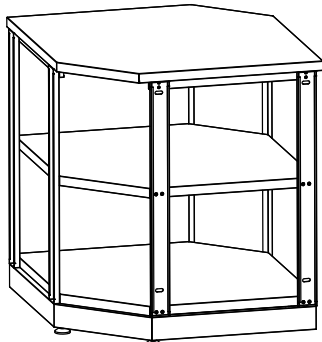
33" Insert Grill Cabinet
SKU# 65047 | SKU# 70007



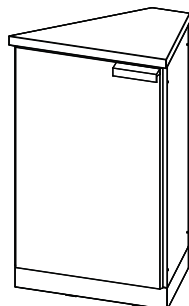
36" Insert Grill Cabinet
SKU# 65048 | SKU# 70008



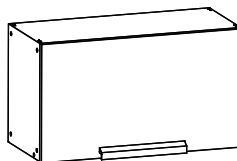
40" Insert Grill Cabinet
SKU# 65049 | SKU# 70009



90° Corner Shelf
SKU# 65006

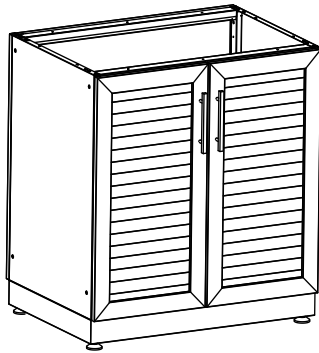


45° Corner Cabinet
SKU# 65005

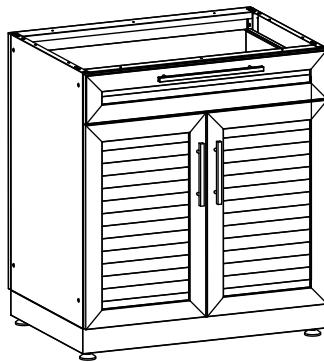


32" Wall Cabinet
SKU# 65013

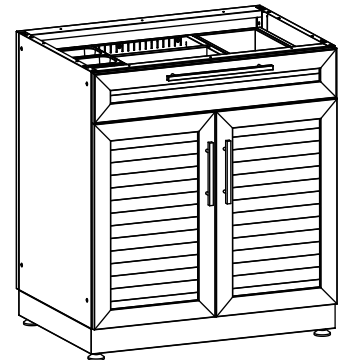
Cabinets - Grove



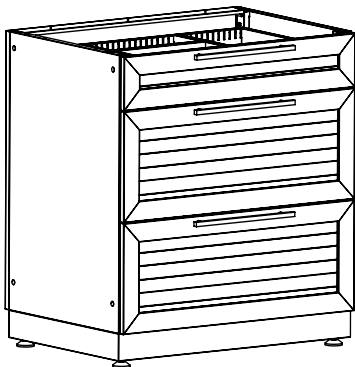
32" 2-Door Cabinet
SKU# 65600 | SKU# 70101



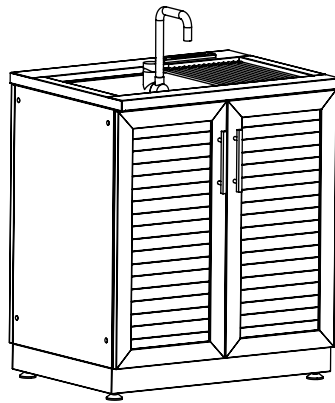
32" 2-Door Split Cabinet
SKU# 65614 | SKU# 70104



32" Bar Cabinet
SKU# 65603 | SKU# 70105



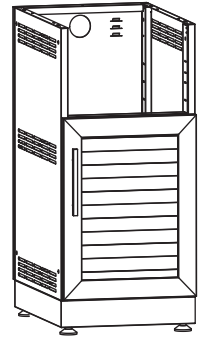
32" 3 Drawer Cabinet
SKU# 65602 | SKU# 70103



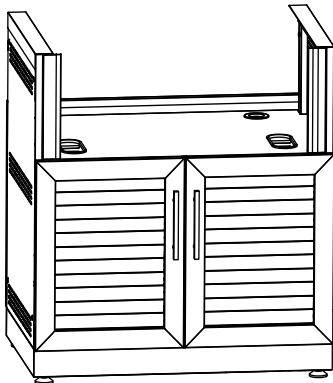
32" Sink Cabinet
SKU# 65601 | SKU# 70102



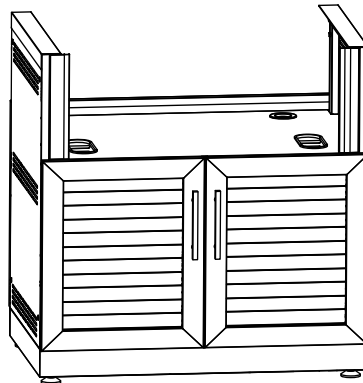
28" Kamado Cabinet
SKU# 65610 | SKU# 70106



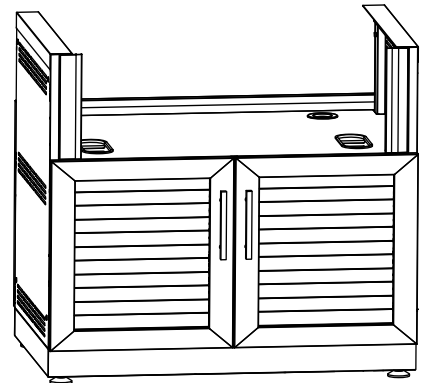
16" DSB Cabinet
SKU# 65612 | SKU# 70100



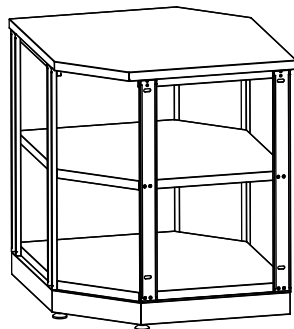
33" Insert Grill Cabinet
SKU# 65630 | SKU# 70108



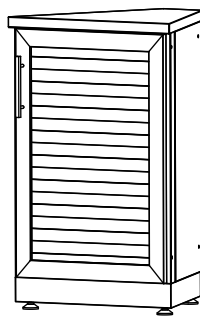
36" Insert Grill Cabinet
SKU# 65631 | SKU# 70107



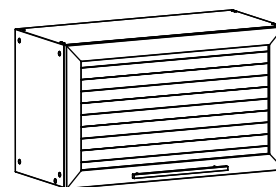
40" Insert Grill Cabinet
SKU# 65632 | SKU# 70109



90° Corner Shelf
SKU# 65606

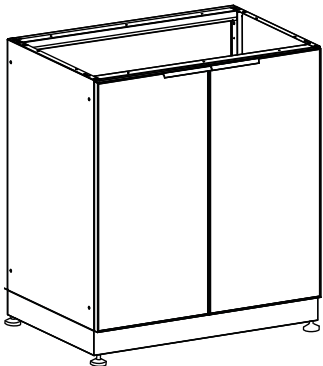


45° Corner Cabinet
SKU# 65605

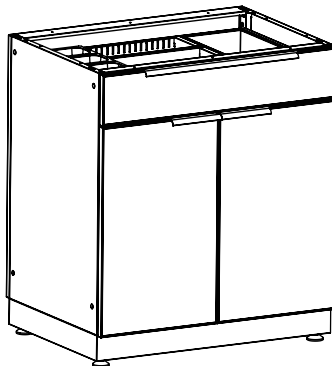


32" Wall Cabinet
SKU# 65613

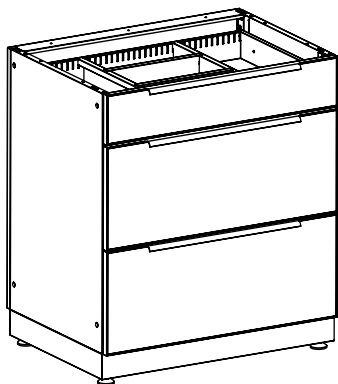
Cabinets - Aluminum Grey Glass



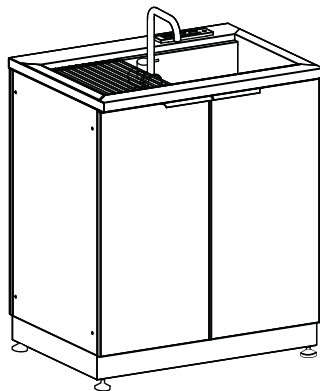
32" 2-Door Cabinet
SKU# 65200 | SKU# 70201



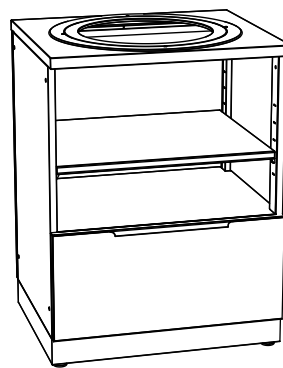
32" Bar Cabinet
SKU# 65203 | SKU# 70204



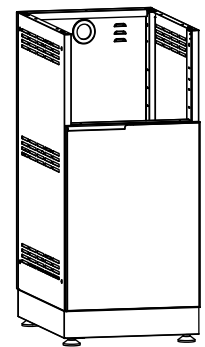
32" 3 Drawer Cabinet
SKU# 65202 | SKU# 70203



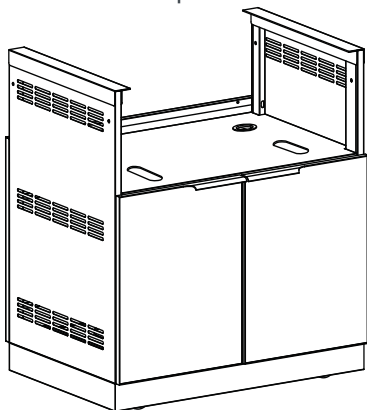
32" Sink Cabinet
SKU# 65201 | SKU# 70202



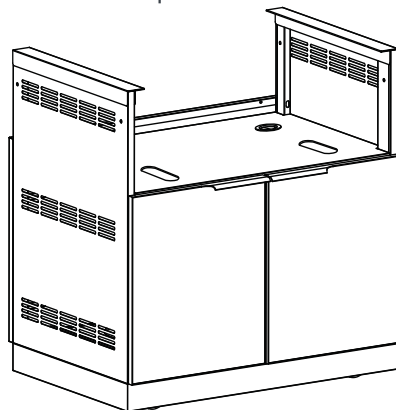
28" Kamado Cabinet
SKU# 65210 | SKU# 70205



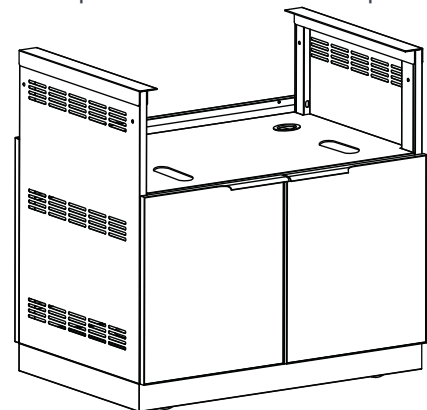
16" DSB Cabinet
SKU# 65212 | SKU# 70200



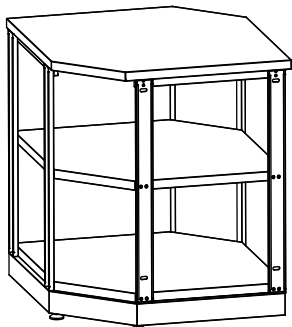
33" Insert Grill Cabinet
SKU# 65230 | SKU# 70208



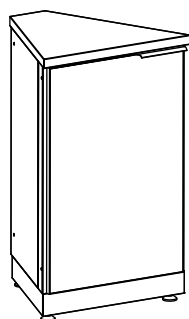
36" Insert Grill Cabinet
SKU# 65231 | SKU# 70206



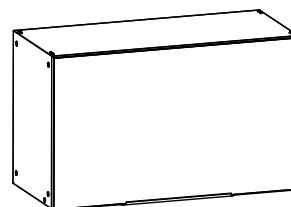
40" Insert Grill Cabinet
SKU# 65232 | SKU# 70207



90° Corner Shelf
SKU# 65206

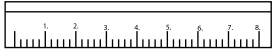


45° Corner Cabinet
SKU# 65205

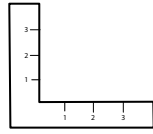


32" Wall Cabinet
SKU# 65213

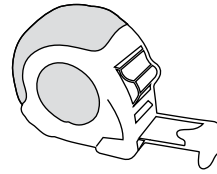
Tools Needed



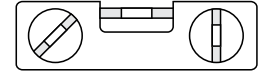
Straight Edge



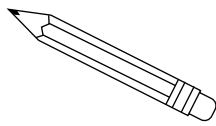
Set Square



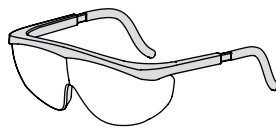
Tape Measure



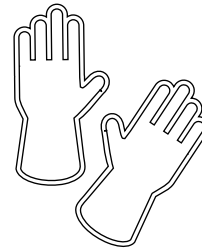
Magnetic Levelers
(Small and Large)



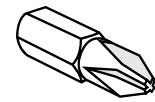
Pencil



Safety Glasses



Hand Gloves



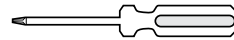
Phillips Bit



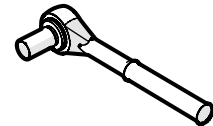
Adjustable wrench



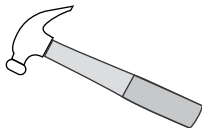
Socket driver wrench



Phillips head screw driver



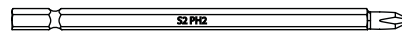
Socket wrench



Hammer



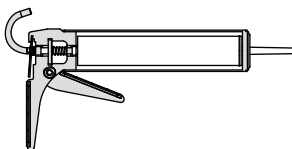
Cordless Power Drill



PHILLIPS #2
6" Extension Bit



7/16" socket



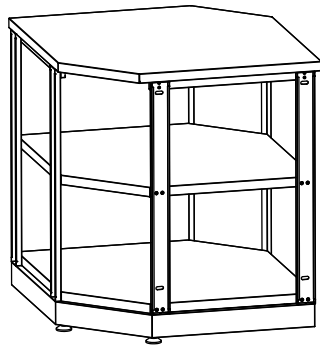
Caulking Gun



100% Silicone
(Mildew Resistant)

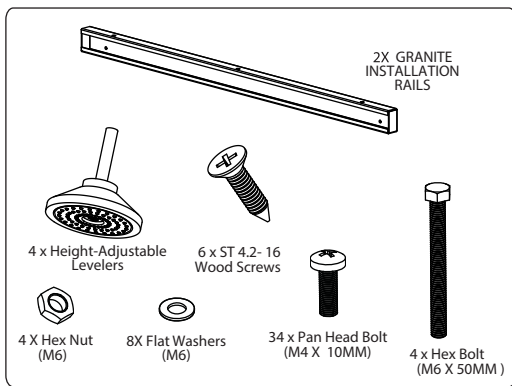
Components For Assembled Cabinets

90° Corner Cabinet



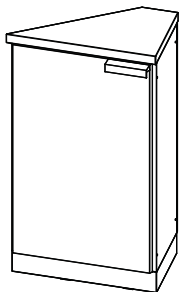
90° Corner Shelf

SKU# 65006
SKU# 65606
SKU# 65206

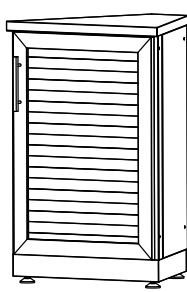


Components	Function	Engg part No	Qty
Cabinet Frame	-		1
Hex Head Bolt (M6 X 50)	Connecting Cabinets	H00198A-01	4
Flat Washer (M6)	Connecting Cabinets	H00199A-01	8
Hex Nut (M6)	Connecting Cabinets	H00200A-01	4
Height-Adjustable Levelers	-	H00196A-01	4
Cabinet Shelf	-	OKC1-02.004.01A-01	1
Pan Head Bolt (M4 X 10MM)	Connecting SS Countertop and vertical supports	H00204A-01	44
Included Granite Top Installation Hardware			
Granite Installation Rails	-	OKC1-02.005A-01	2
Pan Head Screw (ST 4.2-16MM Wood Screw)	-	H00400A-01	6

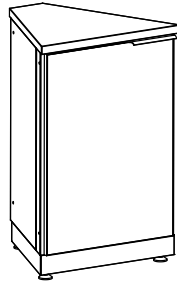
45° Corner Cabinet



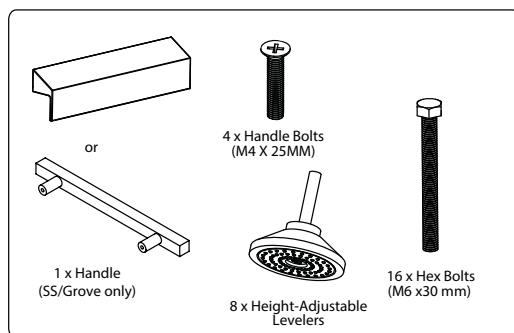
SKU# 65005



SKU# 65605



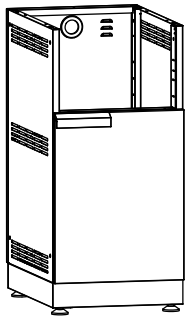
SKU# 65205



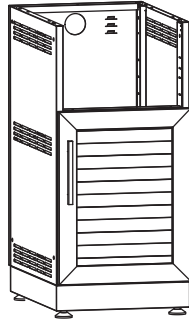
Components	Function	Engg part No	Qty
Cabinet Frame + Door	-		1
Hex Head Bolt (M6 X 30)	Connecting Cabinets	H00465A-01	16
Height-Adjustable Levelers	-	H00196A-01	8
Cabinet Shelf	-	OKC1-03.002.06A-01	2
Handle	-	SS : OKC1-03.003.04A-01 Grove : OKC1-19.003A-01 Alum : NA	1
Head Bolt (M4 x 25mm) (For SS & Grove only)	Connecting Handles	H00467A-01	2

Components For Assembled Cabinets

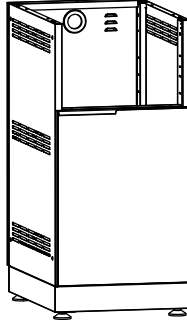
16" Dual Side Burner Cabinet



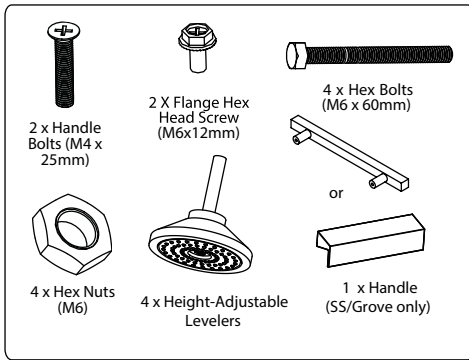
SKU# 65012
SKU# 70000



SKU# 65612
SKU# 70100

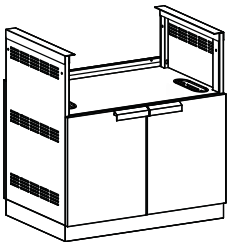


SKU# 65212
SKU# 70200

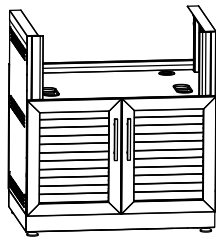


Components	Function	Engg part No	Qty
Cabinet Frame + Door	-		1
Hex Head Bolt (M6 X 60)	Connecting Cabinets	H00402A-01	4
Hex Nut (M6)	Connecting Cabinets	H00200A-01	4
Height-Adjustable Levelers	-	H00196A-01	4
Handle	-	SS : OKC1-03.003.04A-01 Grove : OKC1-19.003A-01 Alum : NA	1
Head Bolt (M4 x 25mm) (For SS & Grove Cabinets only)	Connecting Cabinets	H00467A-01	2

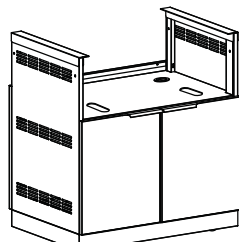
33" Insert Grill Cabinet



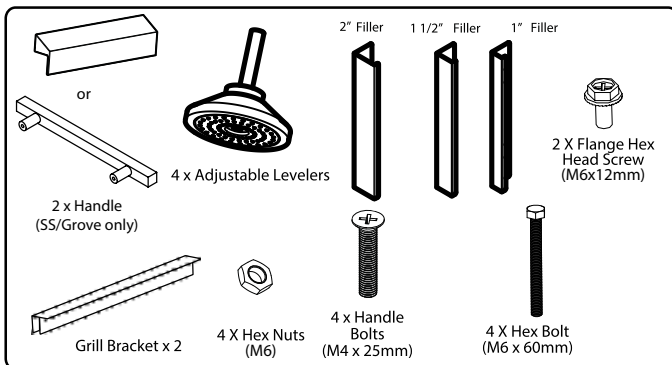
SKU# 65047
SKU# 70007



SKU# 65630
SKU# 70108



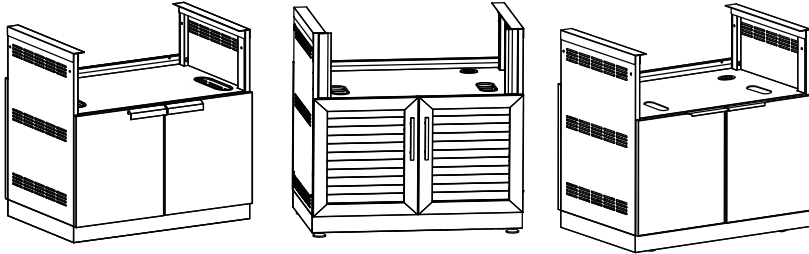
SKU# 65230
SKU# 70208



Components	Function	Engg part No	Qty
Cabinet Frame + Door	-		1
Hex Head Bolt (M6 X 60)	Connecting Cabinets	H00402A-01	4
Hex Nut (M6)	Connecting Cabinets	H00200A-01	4
Height-Adjustable Levelers	-	H00196A-01	4
Handle	-	SS : OKC1-03.003.04A-01 Grove : OKC1-19.003A-01 Alum : NA	2
Head Bolt (M4 x 25mm) (For SS & Grove Cabinets only)	Connecting Cabinets	H00467A-01	4
Grill Bracket	-	OKC1-04.010A-01	2
Grill Inside Bracket	-	OKC1-04.011A-01	2
Hex Bolt M6 x 12mm	Connecting Cabinets	H00201A-01	4
Filler Brackets	-	OKC1-04.013A-01 OKC1-04.014A-01 OKC1-04.015A-01	6

Components For Assembled Cabinets

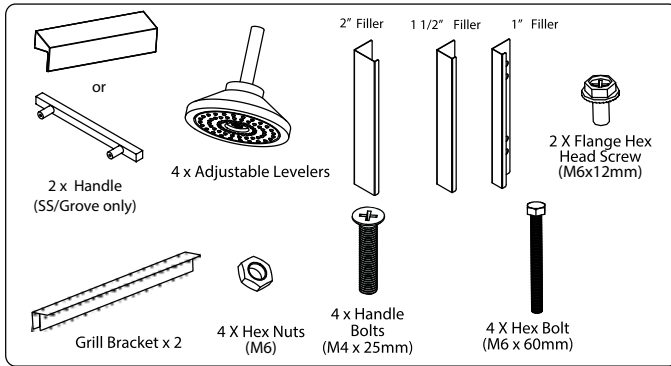
36" Insert Grill Cabinet



SKU# 65048
SKU# 70008

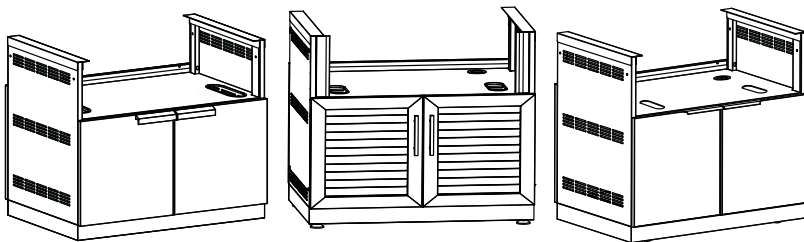
SKU# 65631
SKU# 70107

SKU# 65231
SKU# 70206



Components	Function	Engg part No	Qty
Cabinet Frame + Door	-		1
Hex Head Bolt (M6 X 60)	Connecting Cabinets	H00402A-01	4
Hex Nut (M6)	Connecting Cabinets	H00200A-01	4
Height-Adjustable Levelers	-	H00196A-01	4
Handle	-	SS : OKC1-03.003.04A-01 Grove : OKC1-19.003A-01 Alum : NA	2
Head Bolt (M4 x 25mm) (For SS & Grove Cabinets only)	Connecting Cabinets	H00467A-01	4
Grill Bracket	-	OKC1-04.010A-01	2
Grill Inside Bracket	-	OKC1-04.011A-01	2
Hex Bolt M6 x 12mm	Connecting Cabinets	H00201A-01	4
Filler Brackets	-	OKC1-04.013A-01 OKC1-04.014A-01 OKC1-04.015A-01	6

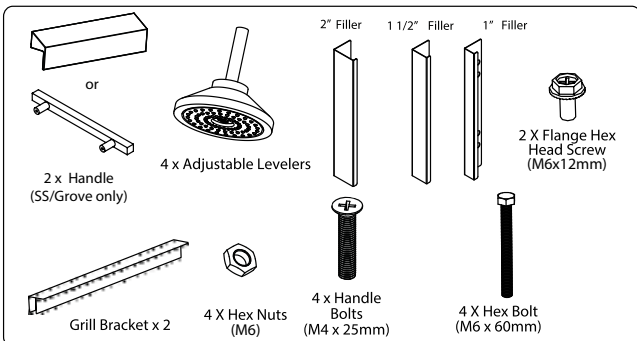
40" Insert Grill Cabinet



SKU# 65049
SKU# 70009

SKU# 65632
SKU# 70109

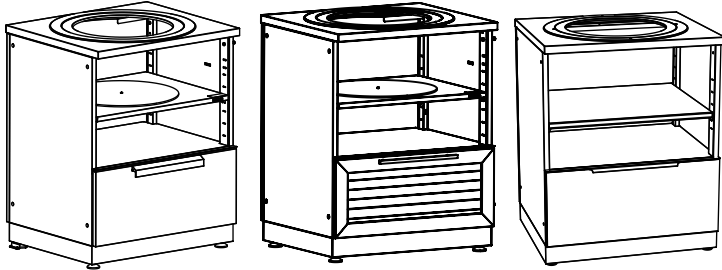
SKU# 65232
SKU# 70207



Components	Function	Engg part No	Qty
Cabinet Frame + Door	-		1
Hex Head Bolt (M6 X 60)	Connecting Cabinets	H00402A-01	4
Hex Nut (M6)	Connecting Cabinets	H00200A-01	4
Height-Adjustable Levelers	-	H00196A-01	4
Handle	-	SS : OKC1-03.003.04A-01 Grove : OKC1-19.003A-01 Alum : NA	2
Head Bolt (M4 x 25mm) (For SS & Grove Cabinets only)	Connecting Cabinets	H00467A-01	4
Grill Bracket	-	OKC1-04.010A-01	2
Grill Inside Bracket	-	OKC1-04.011A-01	2
Hex Bolt M6 x 12mm	Connecting Cabinets	H00201A-01	4
Filler Brackets	-	OKC1-04.013A-01 OKC1-04.014A-01 OKC1-04.015A-01	6

Components For Assembled Cabinets

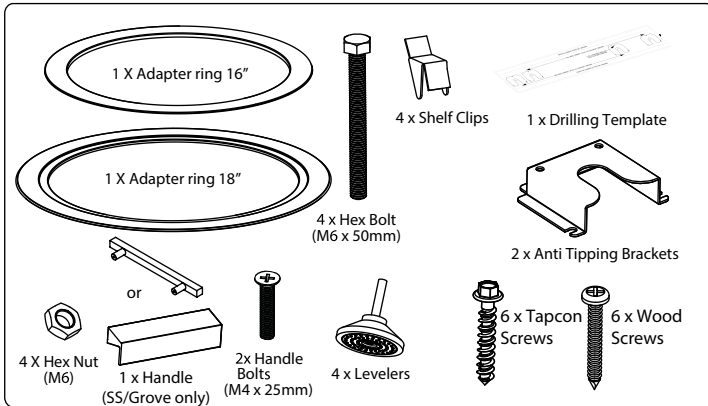
28" Kamado Cabinet



SKU# 65010
SKU# 70006

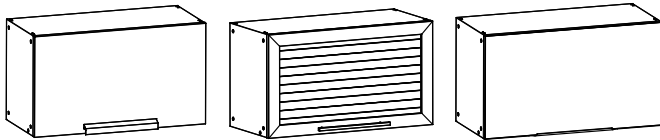
SKU# 65610
SKU# 70106

SKU# 65210
SKU# 70205



Components	Function	Engg part No	Qty
Cabinet Frame + Door	-		1
Hex Head Bolt (M6 X 50)	Connecting Cabinets	H00198A-01	4
Hex Nut (M6)	Connecting Cabinets	H00200A-01	4
Height-Adjustable Levelers	-	H00196A-01	4
Handle	-	SS : OKC1-09.004A-01 Grove : OKC1-25.003A-01 Alum : NA	1
Head Bolt (M4 x 25mm) (For SS & Grove only)	Connecting Cabinets	H00467A-01	2
Shelf Clips	For Shelves	OKC1-07.007A-01	4
Shelf	-	OKC1-12.004.01A-01	1
Adapter Ring 18" Diameter	-	OKC1-12.009A-01	1
Adapter Ring 16" Diameter	-	OKC1-12.008A-01	1
Drilling Template		OKC1-09.007A-01	1
Wood Screws	For Anti-Tipping Brackets	H00232A-01	6
Tapcon Screws	For Anti-Tipping Brackets	H00231A-01	6
Anti-Tipping Brackets	For Anti-Tipping Brackets	OKC1-09.006A-01	2

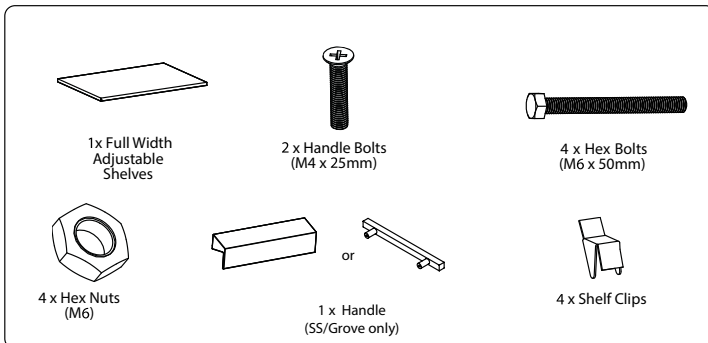
32" Wall Cabinet



SKU# 65013

SKU# 65613

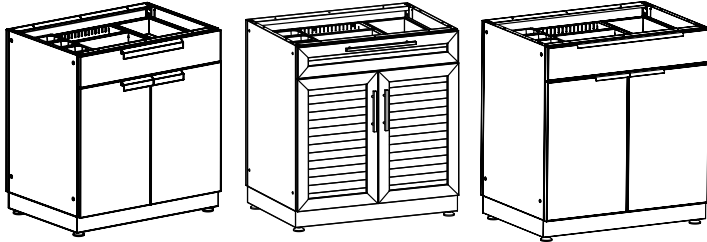
SKU# 65213



Components	Function	Engg part No	Qty
Cabinet Frame + Door	-		1
Hex Head Bolt (M6 X 50)	Connecting Cabinets	H00198A-01	4
Hex Nut (M6)	Connecting Cabinets	H00200A-01	4
Handle	-	SS : OKC1-09.004A-01 Grove : OKC1-25.003A-01 Alum : NA	1
Head Bolt (M4 x 25mm) (For SS & Grove only)	Connecting Cabinets	H00467A-01	2
Shelf Clips	For Shelves	OKC1-07.007A-01	4
Shelf	-	OKC1-13.004.01A-01	1

Components For Assembled Cabinets

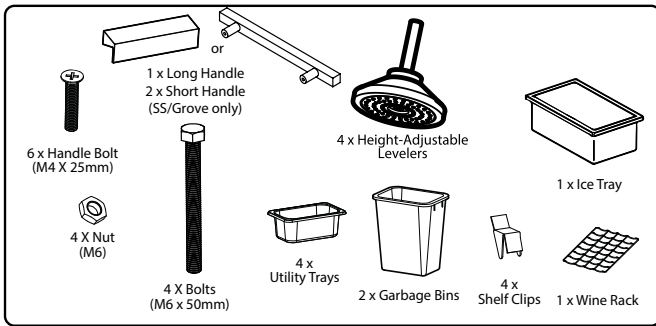
32" Bar Cabinet



SKU# 65003
SKU# 70005

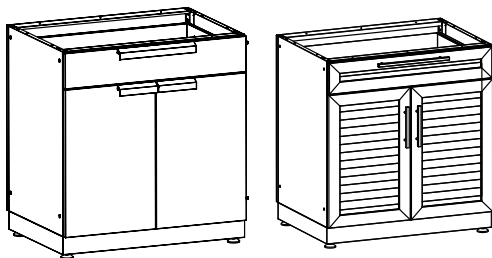
SKU# 65603
SKU# 70105

SKU# 65203
SKU# 70204



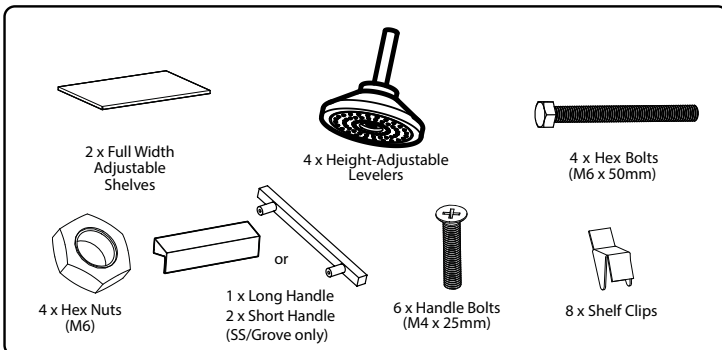
Components	Function	Engg Part No	Qty
Cabinet Frame + Door	-		1
Hex Head Bolt (M6 X 50)	Connecting Cabinets	H00198A-01	4
Hex Nut (M6)	Connecting Cabinets	H00200A-01	4
Height-Adjustable Levelers	-	H00196A-01	4
Short Handle	-	SS : OKC1-03.003.04A-01 Grove : OKC1-19.003A-01 Alum : NA	2
Long Handle	-	SS : OKC1-09.004A-01 Grove : OKC1-25.003A-01 Alum : NA	1
Head Bolt (M4 x 25mm) (For SS & Grove only)	Connecting Handles	H00467A-01	6
Shelf Clips	For Shelves	OKC1-07.007A-01	4
Shelf	-	OKC1-11.005A-01	1
Wine Rack	-	OKC1-11.010A-01	1
Ice Tray	-	OKC1-11.011A-01	1
Utility Trays	-	H00242A-01	4
Garbage Bins	-	H00241A-01	2

32" 2 - Door Split Cabinet



SKU# 65014
SKU# 70004

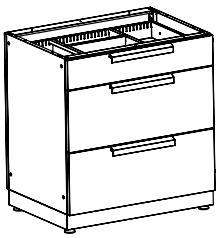
SKU# 65614
SKU# 70104



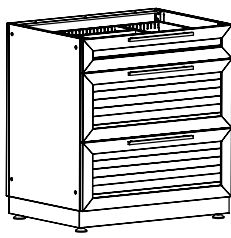
Components	Function	Engg part No	Qty
Cabinet Frame + Door	-		1
Hex Head Bolt (M6 X 50)	Connecting Cabinets	H00198A-01	4
Hex Nut (M6)	Connecting Cabinets	H00200A-01	4
Height-Adjustable Levelers	-	H00196A-01	4
Short Handle	-	SS : OKC1-03.003.04A-01 Grove : OKC1-19.003A-01	2
Long Handle	-	SS : OKC1-09.004A-01 Grove : OKC1-25.003A-01	1
Head Bolt (M4 x 25mm) (For SS & Grove only)	Connecting Handles	H00467A-01	6
Shelf Clips	For Shelves	OKC1-07.007A-01	8
Shelf	-	OKC1-07.006A-01	2

Components For Assembled Cabinets

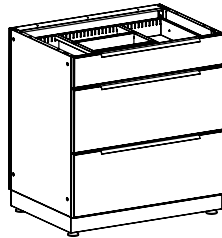
32" 3 - Drawer Cabinet



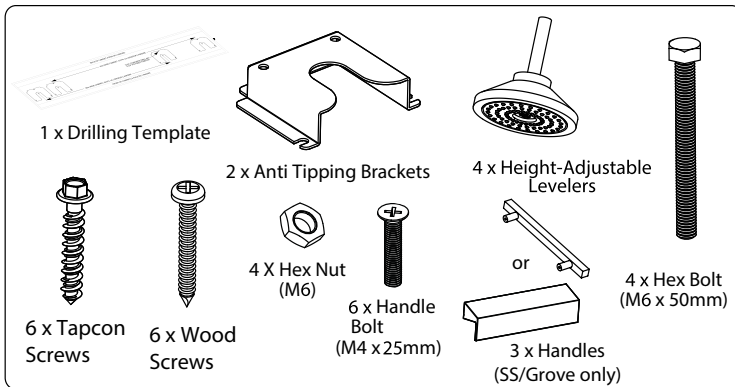
SKU# 65002
SKU# 70003



SKU# 65602
SKU# 70103

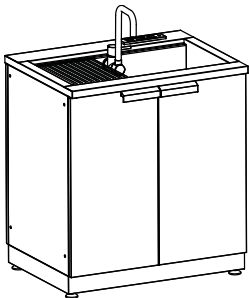


SKU# 65202
SKU# 70203

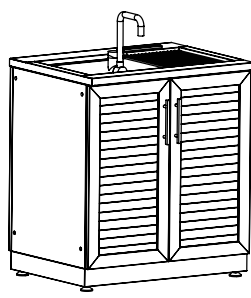


Components	Function	Engg part No	Qty
Cabinet Frame + Door	-		1
Hex Head Bolt (M6 X 50)	Connecting Cabinets	H00198A-01	4
Hex Nut (M6)	Connecting Cabinets	H00200A-01	4
Height-Adjustable Levelers	-	H00196A-01	4
Handle	-	SS : OKC1-09.004A-01 Grove : OKC1-25.003A-01 Alum : NA	3
Head Bolt (M4 x 25mm) (For SS & Grove only)	Connecting Cabinets	H00467A-01	2
Drilling Template	For Anti-Tipping Brackets	OKC1-09.007A-01	1
Wood Screws	For Anti-Tipping Brackets	H00232A-01	6
Tapcon Screws	For Anti-Tipping Brackets	H00231A-01	6
Anti-Tipping Brackets	-	OKC1-09.006A-01	2

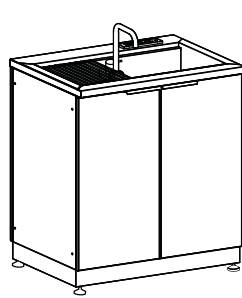
32" 2 - Sink



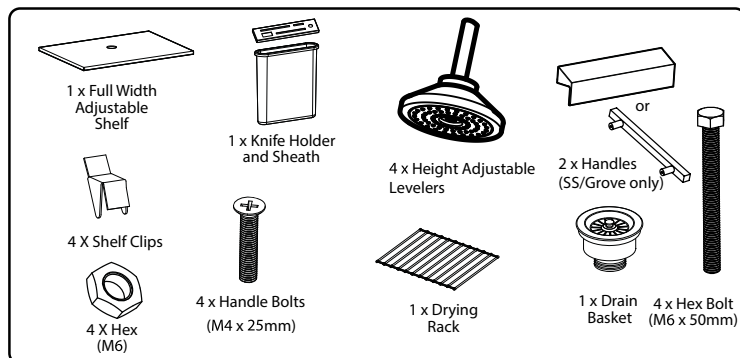
SKU# 65001
SKU# 70002



SKU# 65601
SKU# 70102



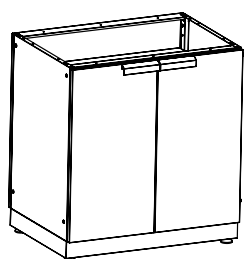
SKU# 65201
SKU# 70202



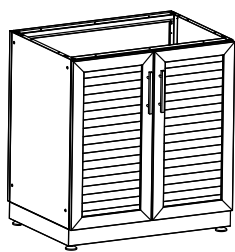
Components	Function	Engg part No	Qty
Cabinet Frame + Door	-		1
Hex Head Bolt (M6 X 50)	Connecting Cabinets	H00198A-01	4
Hex Nut (M6)	Connecting Cabinets	H00200A-01	4
Height-Adjustable Levelers	-	H00196A-01	4
Handle	-	SS : OKC1-03.003.04A-01 Grove : OKC1-19.003A-01 Alum : NA	2
Head Bolt (M4 x 25mm) (For SS & Grove only)	Connecting Handles	H00467A-01	4
Shelf Clips	For Shelves	OKC1-07.007A-01	4
Shelf	-	OKC1-08.003A-01	1
Knife Holder and Sheath	-	OKC1-08.005A-01	1
Drying Rack	-	OKC1-08.006A-01	1
Sink Drain Basket	-	-	1

Components For Assembled Cabinets

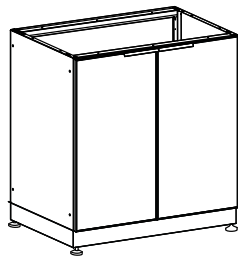
32" 2 - Door Cabinet



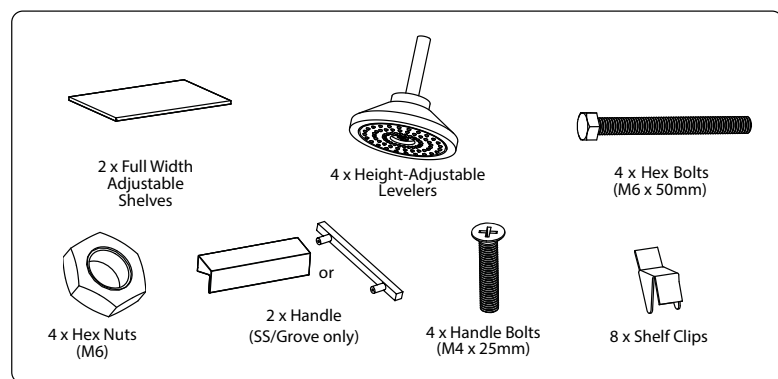
SKU# 65000
SKU# 70001



SKU# 65600
SKU# 70101



SKU# 65200
SKU# 70201



Components	Function	Engg part No	Qty
Cabinet Frame + Door	-		1
Hex Head Bolt (M6 X 50)	Connecting Cabinets	H00198A-01	4
Hex Nut (M6)	Connecting Cabinets	H00200A-01	4
Height-Adjustable Levelers	-	H00196A-01	4
Handle	-	SS : OKC1-03.003.04A-01 Grove : OKC1-19.003A-01 Alum : NA	2
Head Bolt (M4 x 25mm) (For SS & Grove only)	Connecting Handles	H00467A-01	4
Shelf Clips	For Shelves	OKC1-07.007A-01	8
Shelf	-	OKC1-07.006A-01	2

Outdoor Area Preperation



ATTENTION : NewAge recommends using a professional kitchen installer to prepare and install kitchen cabinets.



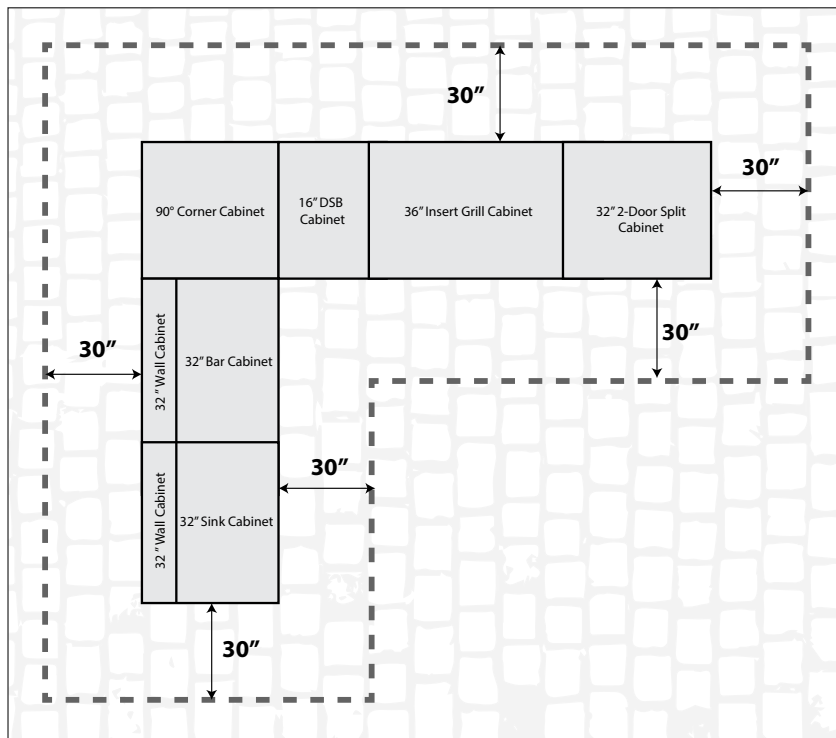
NOTE: If you are unfamiliar or unsure of how to handle utility connections, have a qualified professional perform these duties.

Components For Assembled Cabinets

- Shut off all existing water, power and utility lines.
- Remove existing cabinets and appliances. It is best to move these out of the Outdoor Area for easier access to the work area while the installation is being done.
- Make sure having a flat leveled surface to install your Classic Outdoor Kitchen.
- Having the adjustable leveling legs, the Classic Outdoor Kitchen cabinets can be installed on any flat decking, concrete, or paving surface, however, the surface has to be leveled for the proper installation.

STEP 1 : FIND THE BEST LOCATION AND UNDERSTAND YOUR NEEDS

- The first step to setting up an outdoor kitchen is conducting a site survey.
- Determine how large of an area you can dedicate to your outdoor kitchen, measure the proposed area's square footage.
- Be sure that the planned location is close to accessible utilities, and provides a clear path to your Outdoor kitchen.
- We would recommend a 30" border space surrounding your kitchen cabinets to ensure that you have plenty of room for food prep, cooking, serving, and entertaining.



NOTE : If you want to maintain the view you currently have looking outside of your home, be sure to position your outdoor kitchen space in such a way that the view is not blocked.

Sketching out your layout on graph paper will help you to visualize where things should go, later determining what you may need.

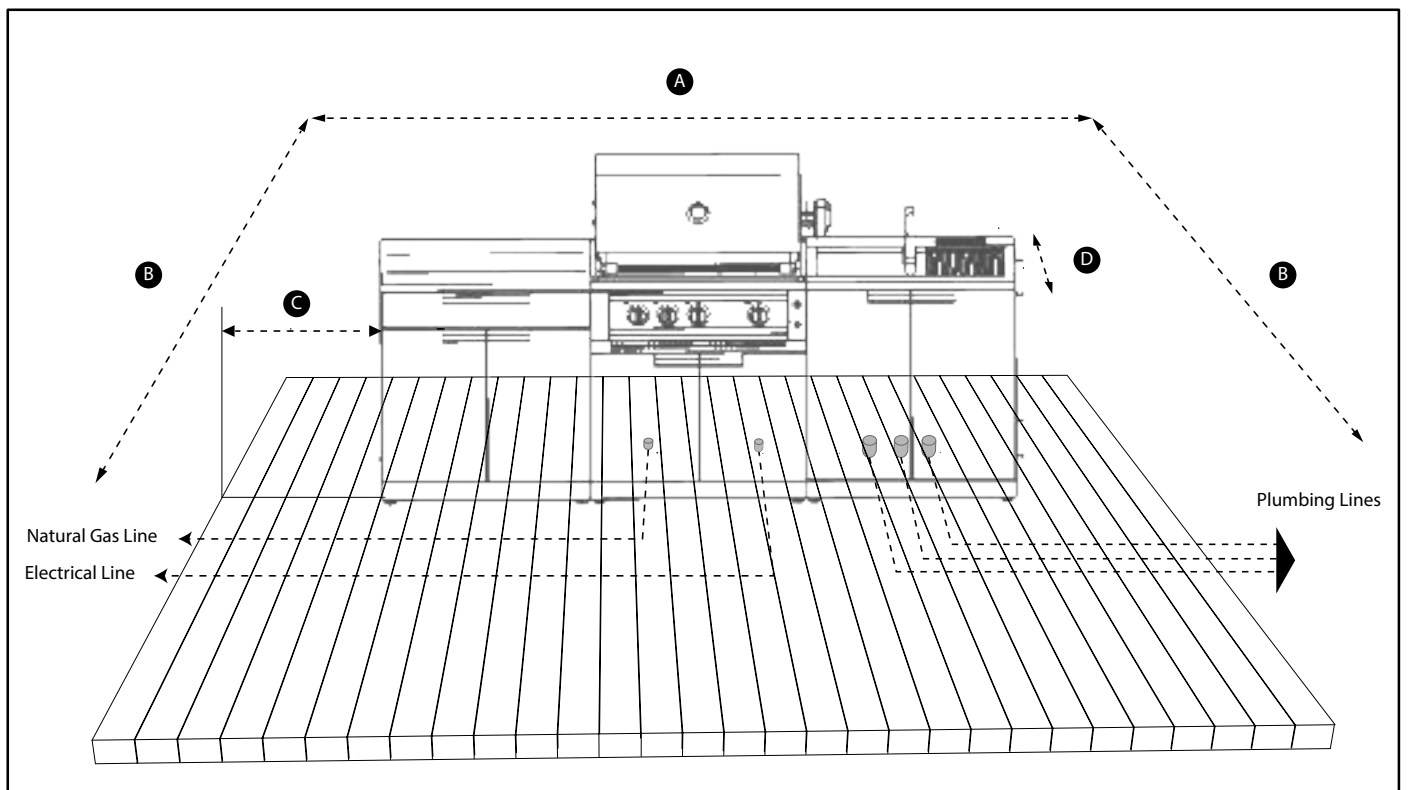
Outdoor Area Preparation

STEP 2 : HOW TO UTILIZE YOUR SPACE

- Determine the ideal spot for the appliances and the other cabinet features into the Outdoor Kitchen setup
- Determine how many appliances should be included, along with storage requirements and added features like bar service.

Measuring and Marking your Space

- Now Use a tape measure and list down the following to help you through the cabinet set installation.
- A. Width of the Outdoor Area to be used.
- B. Depth of the Outdoor Area to be used
- C. Distance of Platform edge to the side of the cabinet (30" or more)
- D. Distance of Platform edge to the back of the cabinets (30" or more)
- It is recommended that the plumbing, natural gas and electrical lines be mounted from the bottom or back of the cabinets as shown below, before assembling the cabinet sets.



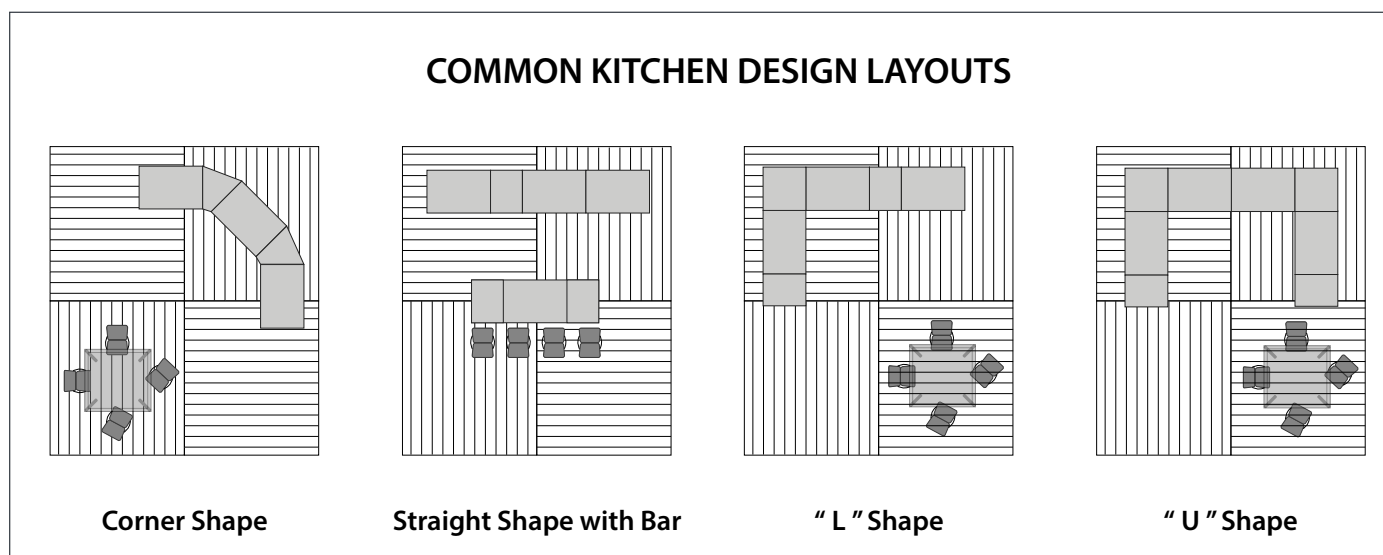
NOTE: To have the exact location of the plumbing access holes in the sink cabinets and the gas/ electrical pass-through holes for the Appliance cabinets, refer to the individual cabinet sections in the manual.

Outdoor Area Preperation

STEP 3 : HOW SHOULD YOU DESIGN YOUR OUTDOOR KITCHEN

- Once you've chosen which appliances you want in your outdoor kitchen, it's time to consider how each appliance and cabinet will fit within the greater design scheme—how much room to allow for each, and how they will 'flow' into each other.
- You may have heard of the "golden triangle" rule of kitchen design, designing an outdoor kitchen is no exception. The close proximity of sink, grill and prep station is key for effective food preparation and service.

Preparing your Outdoor Area as per your Cabinet Layout



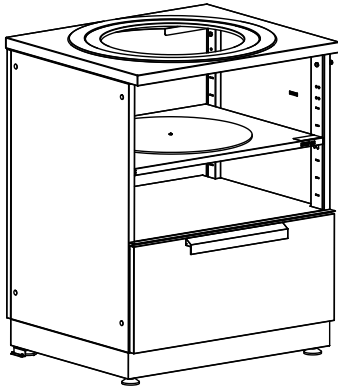
- While preparing your cabinet layout ensure the plumbing, gas and electrical pipelines are laid as per the regional certifications and ensure it is done with professional help.
- Once you have finalised on the cabinet set layout, assemble the cabinets as per detail instructions given in the following pages to ensure a smooth process throughout the activity.
- Cabinets must be installed on a leveled surface. Levelling Legs are provided to provide adjustments between the high and low spots in the installations but are not intended to be installed on a non-level surface.
- Take note of existing Gas/electrical/plumbing access in relation to your planned installation.
- Take note of existing access holes on the cabinets for ease of installation.

Installing Anti-Tipping Brackets

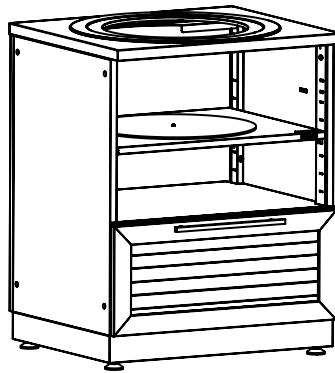
Ensure area is leveled and install the anti-tipping brackets

i NOTE: The following instructions apply to the cabinets below

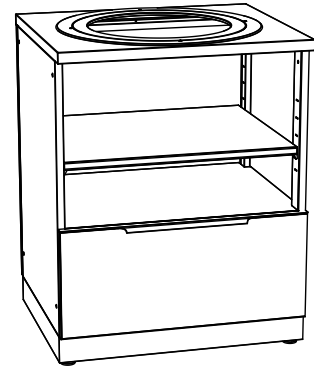
28" Kamado Cabinet



SKU# 65010
SKU# 70006

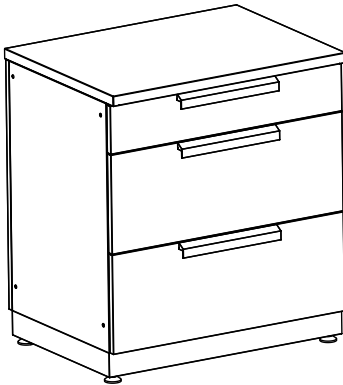


SKU# 65610
SKU# 70106

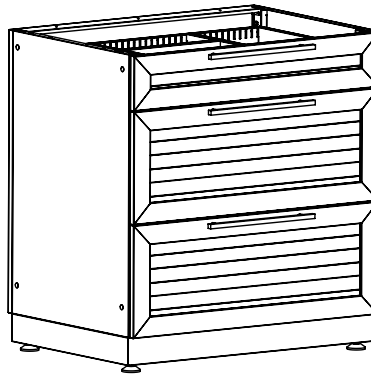


SKU# 65210
SKU# 70205

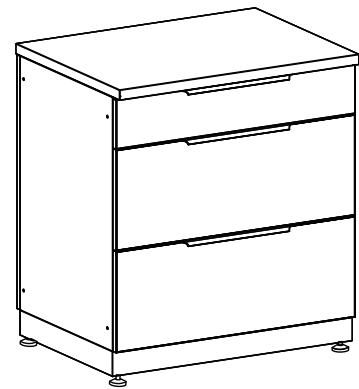
32" 3 Drawer Cabinet



SKU# 65002
SKU# 70003



SKU# 65602
SKU# 70103



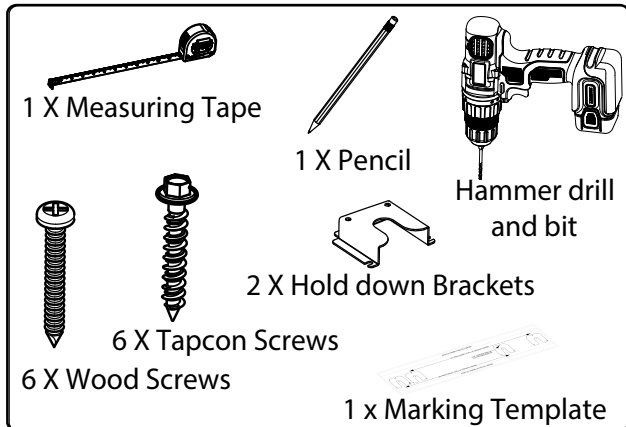
SKU# 65202
SKU# 70203

Serious or fatal crushing injuries can occur from furniture tip over. To prevent tip over, this furniture must be used with the anti-tipping brackets provided. Open one drawer at a time.

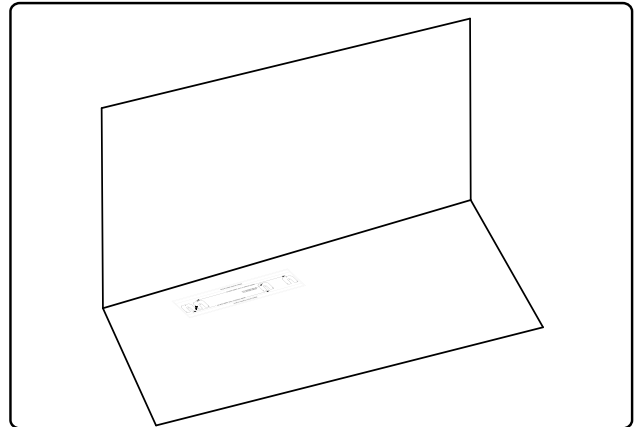


Installing Anti-Tipping Brackets

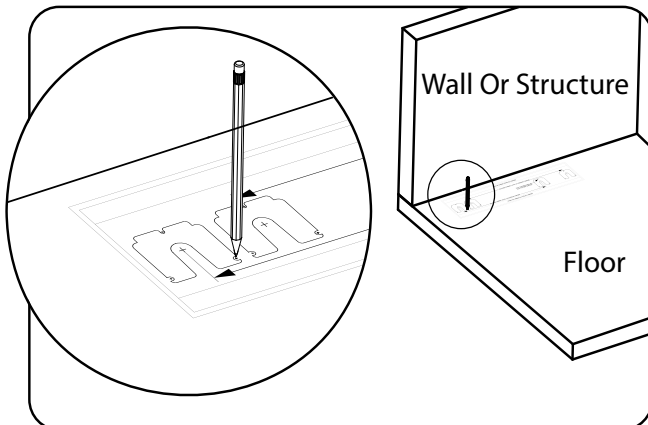
i Parts Needed



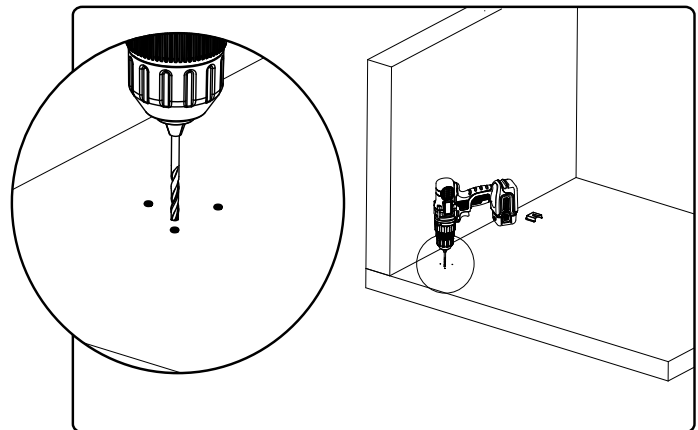
1 Position the Marking Template on the floor to where the rear foot of the cabinet should be installed.



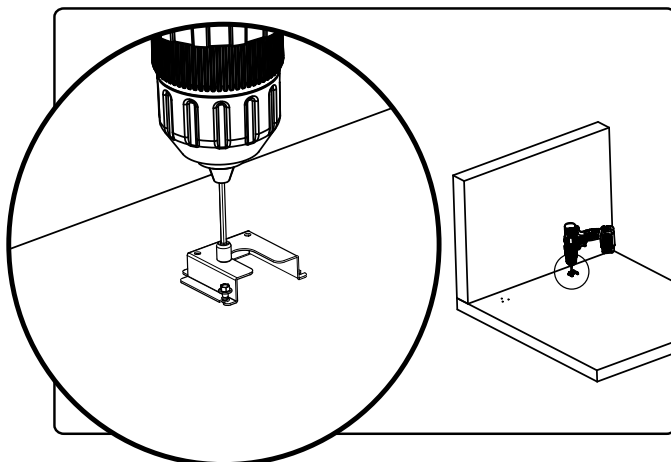
2 Mark 6 drill locations using template to place brackets



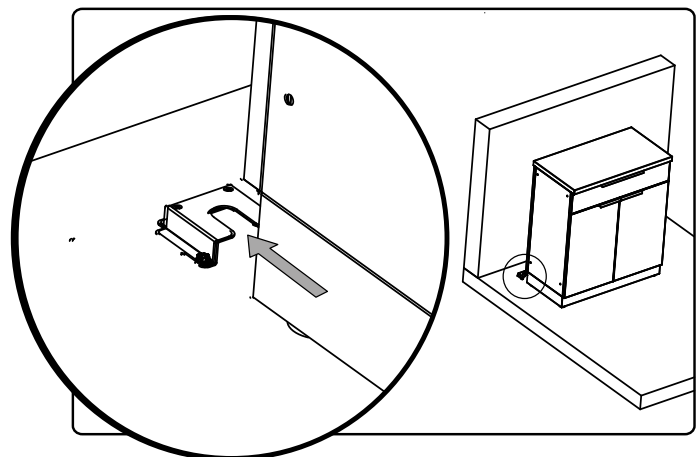
3 Drill Floor in marked positions with appropriate drill for substrate



4 Fasten each Anti-Tipping Bracket with 3 Tapcons into concrete surfaces or 3 wood screws for wood surfaces.



5 Slide cabinet into the Anti-Tipping Brackets until both rear foot are engaged to secure cabinet.

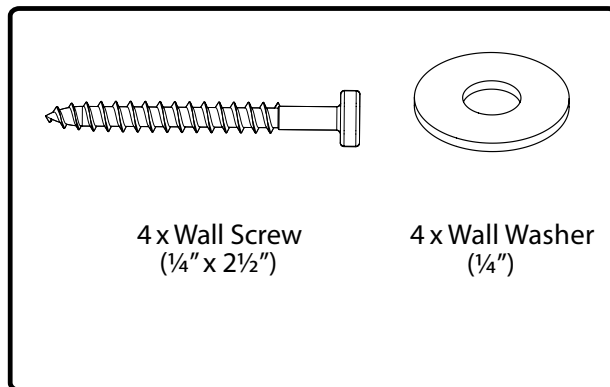
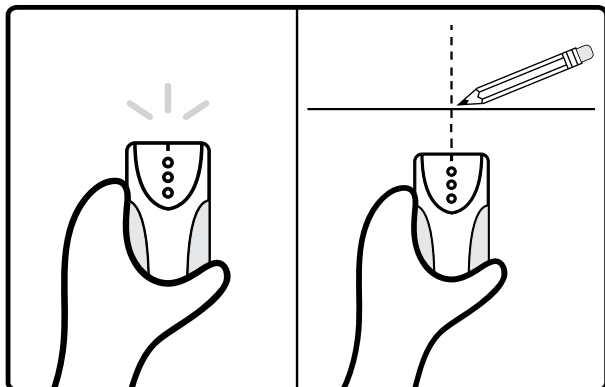


Installing the Wall Cabinets

Securing Cabinets on Studded Wall

i Use stud finder to locate the studs and mark a line on the wall with a pencil at desired height.

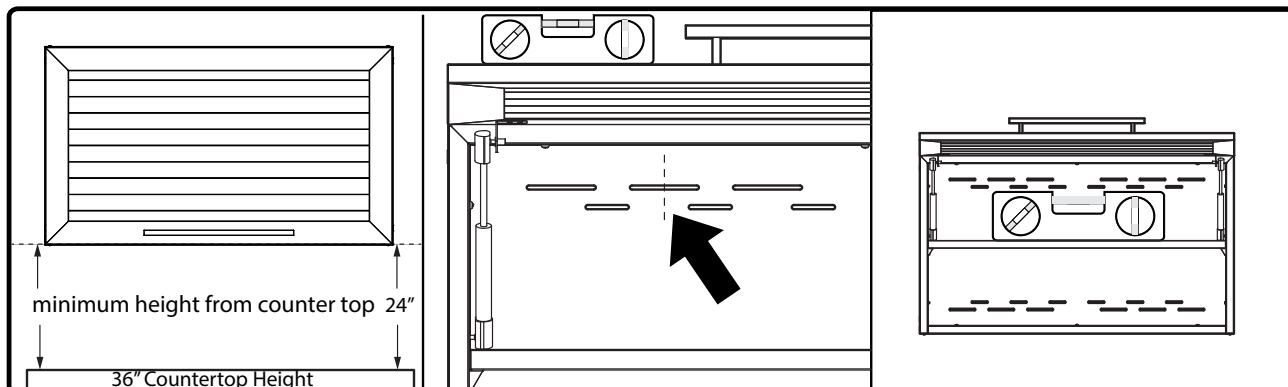
i Parts Needed



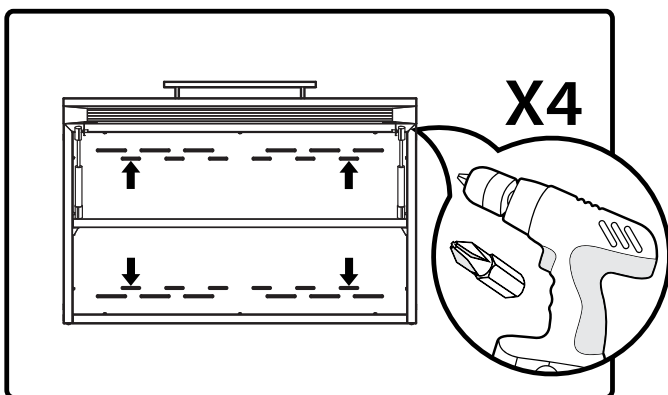
1 Place cabinet tight against the wall.

2 Align cabinet to stud marks.

3 Level cabinet.



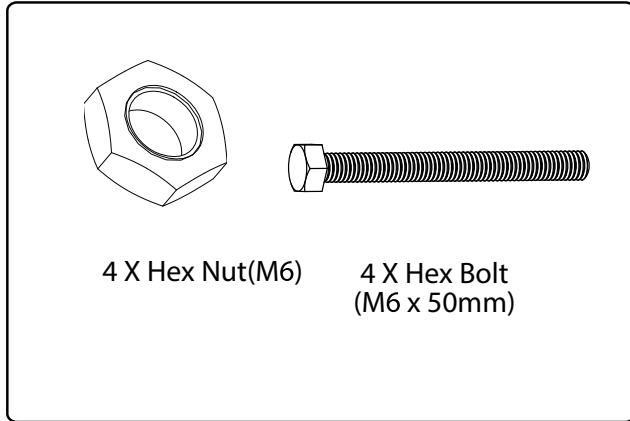
4 Pre-drill (4) 1/4" (6.5mm) then drill 4 wall screws and washers through perforated holes into studs.



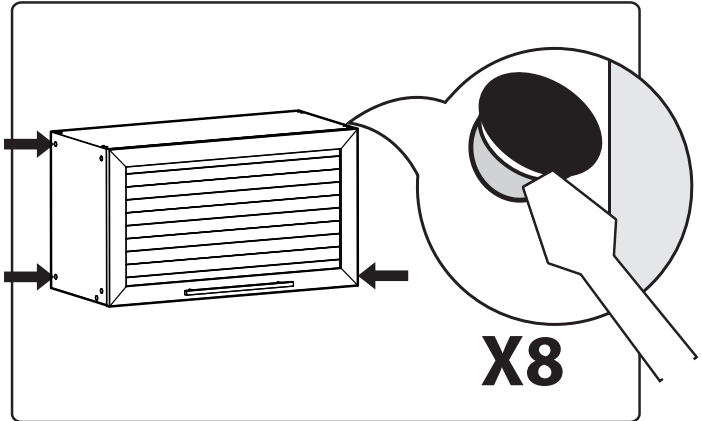
Installing the Wall Cabinets

Fastening Cabinets(to each other)

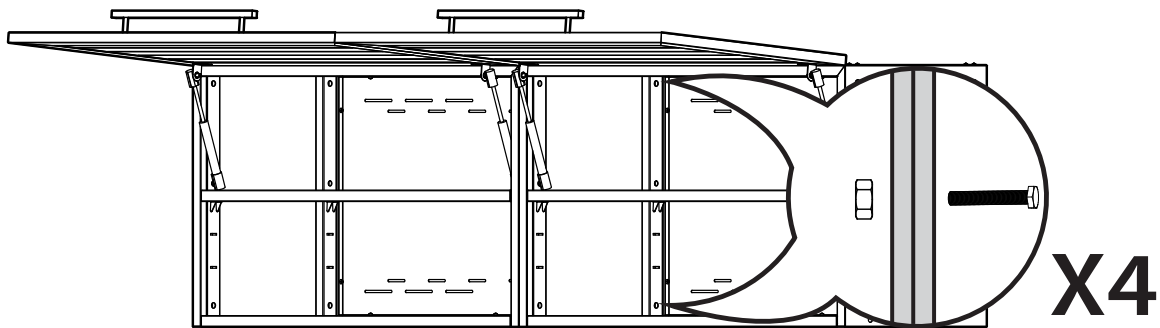
i Parts Needed.



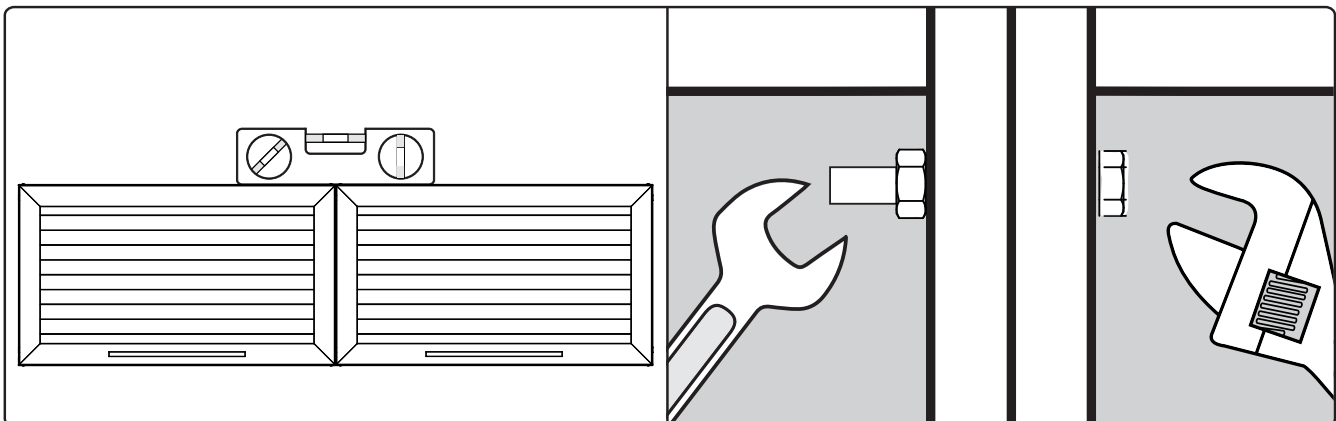
1 Remove plastic caps from cabinets.



2 Align bolts, tighten lightly.



3 Level cabinets and tighten all bolts.

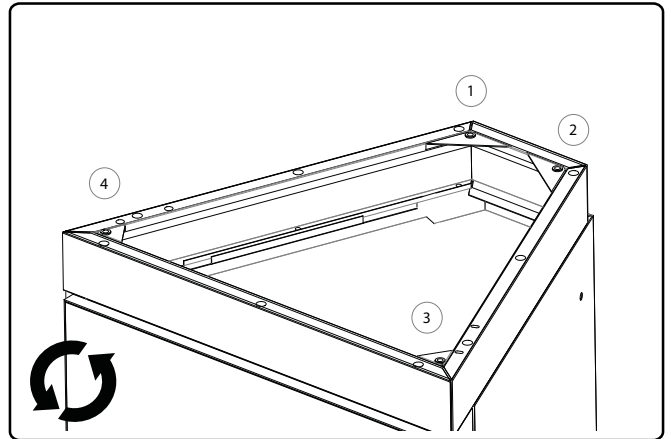


Installing the Legs

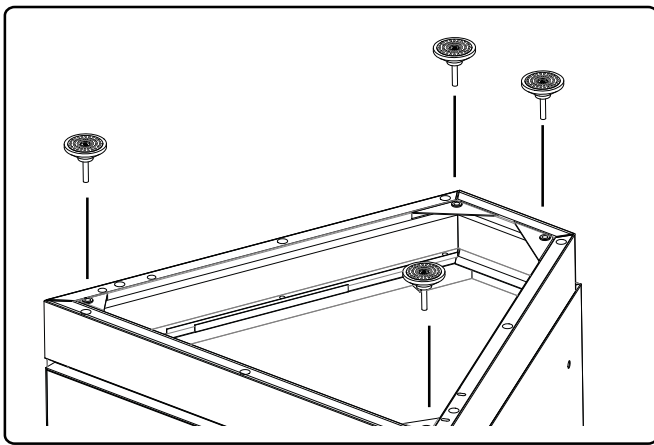
i Parts Needed.



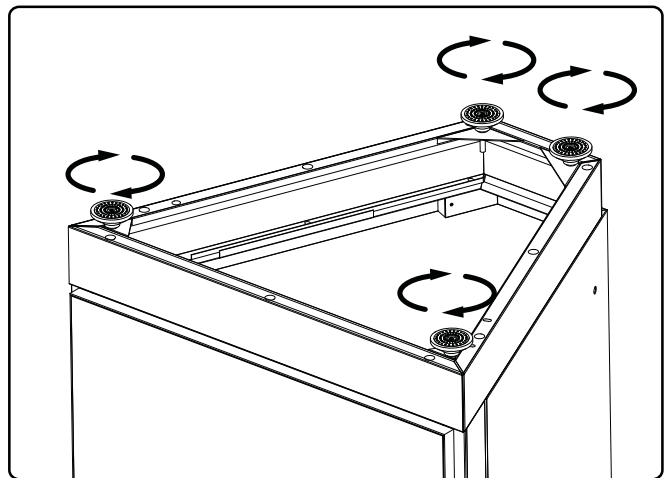
1 Flip cabinet upside down, locate corner leveler brackets.



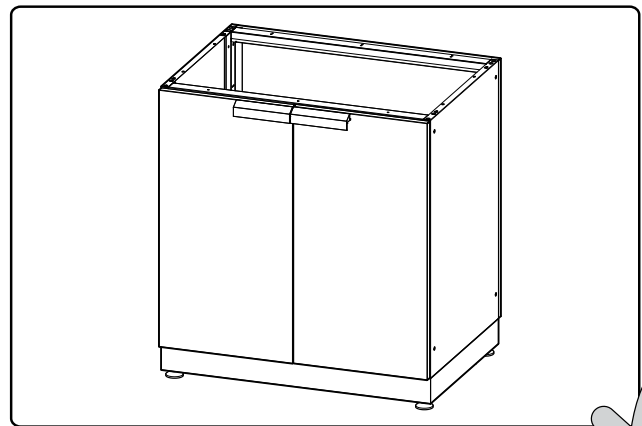
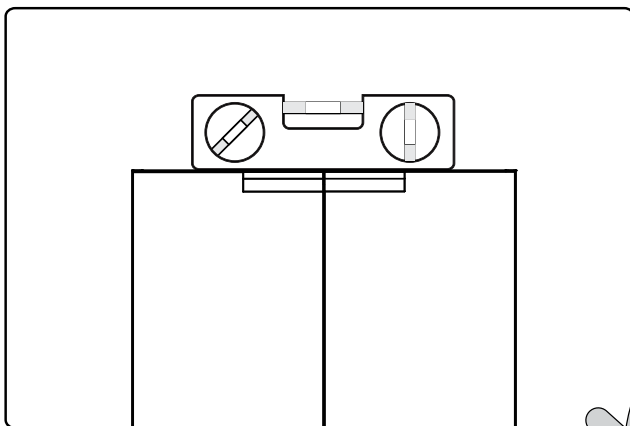
2 Align levelers with insert nuts in corner brackets.



3 Rotate clockwise to tighten each leveler.



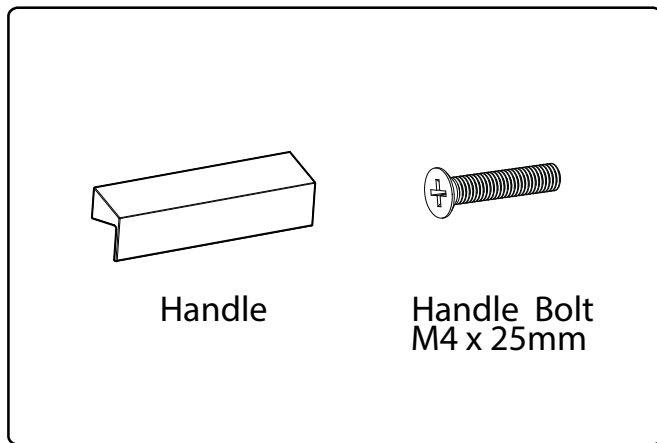
4 Flip over Cabinet and level the Cabinet by adjusting the leveler.



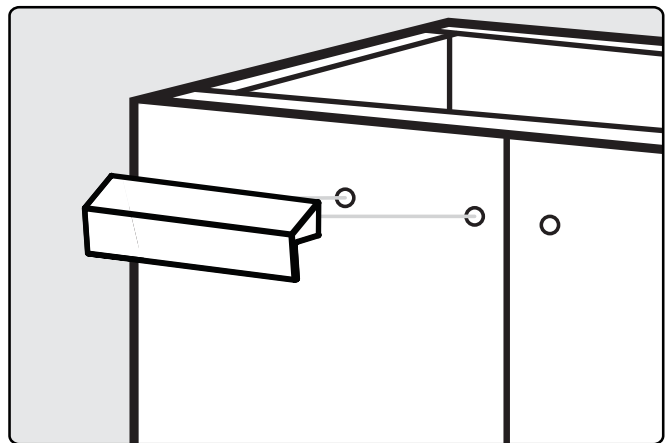
Installing the Handles

Cabinet Door & Drawer Handles

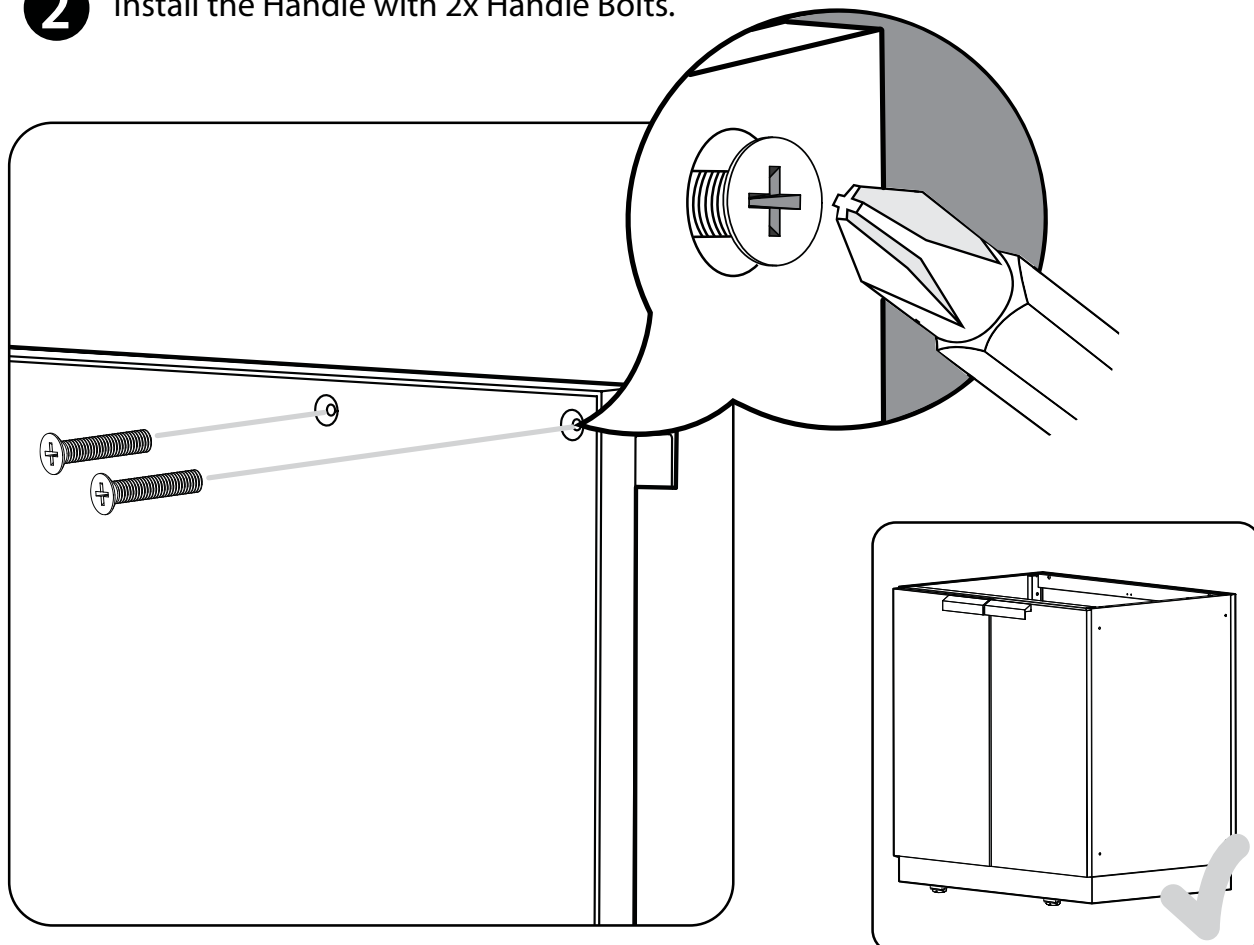
i Parts Needed



1 Align handle to holes

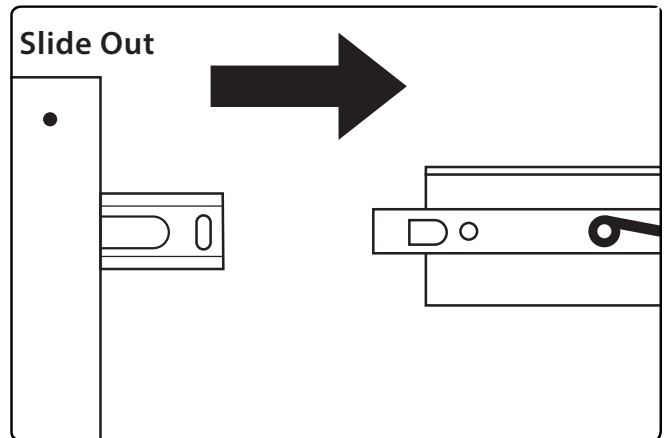
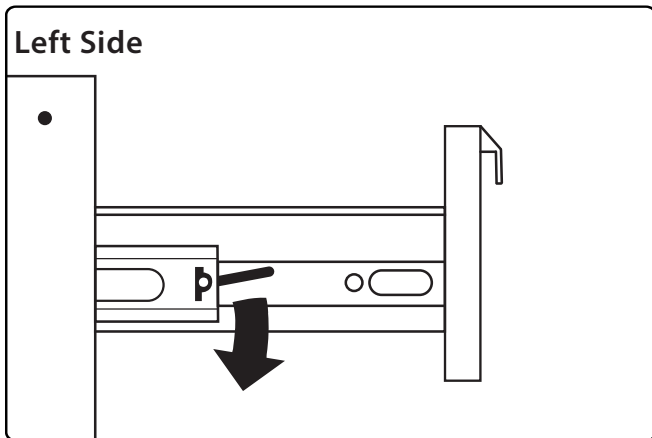
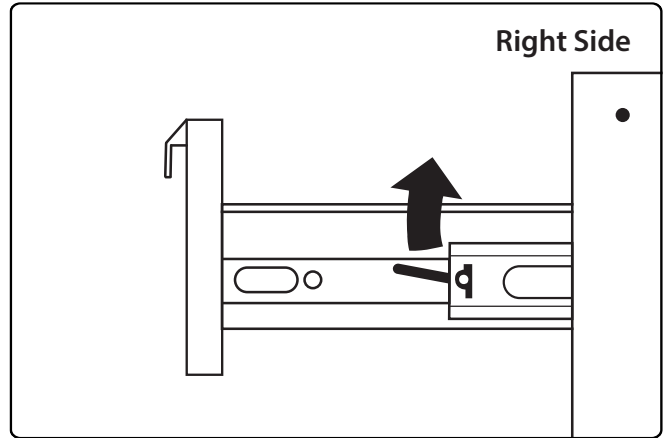
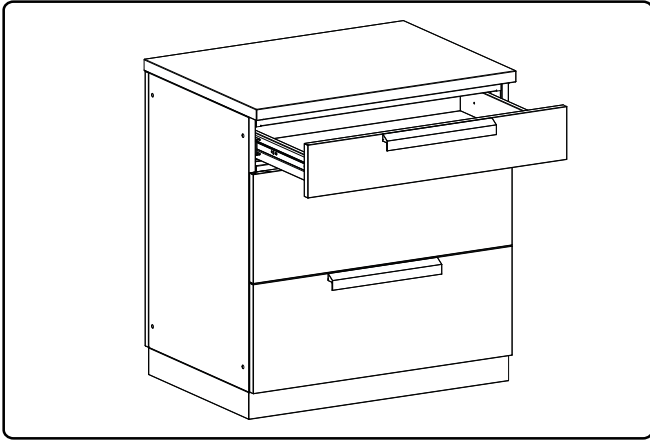


2 Install the Handle with 2x Handle Bolts.

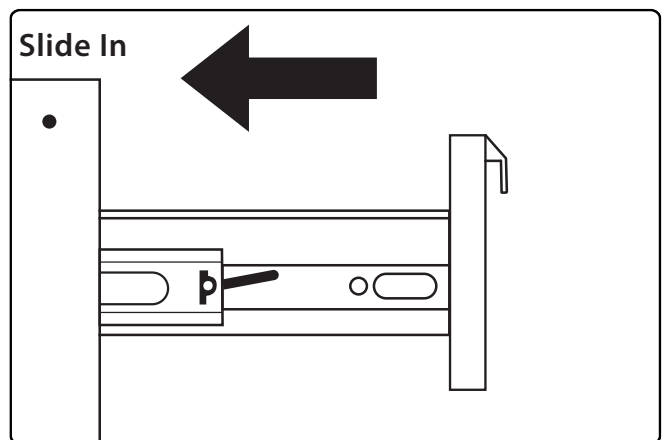
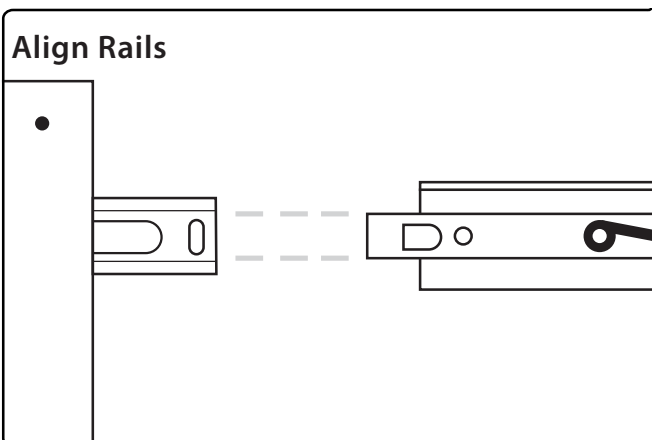


Installing/Removing the Drawers

Removing Drawers

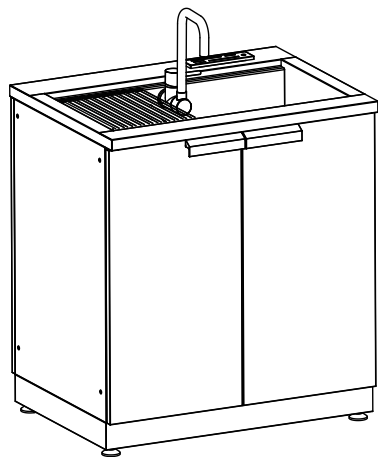


Inserting Drawers

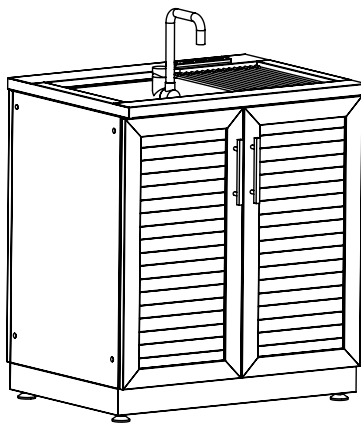


Preparing the Sink Cabinets

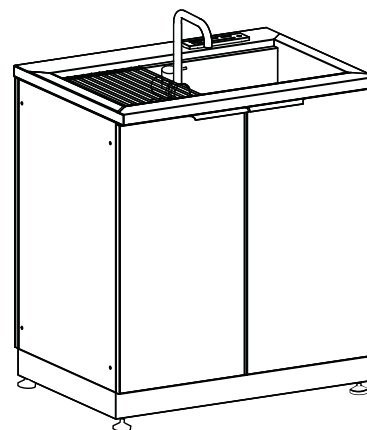
i NOTE: The following instructions apply to the cabinets below



SKU# 65001
SKU# 70002



SKU# 65601
SKU# 70102



SKU# 65201
SKU# 70202

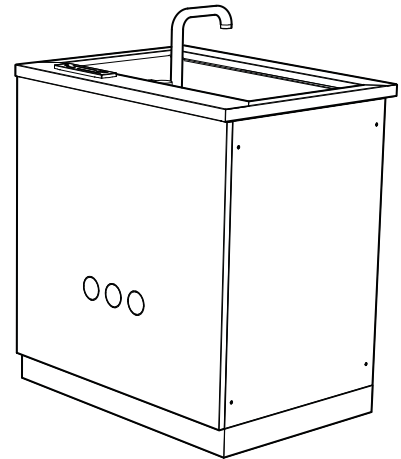
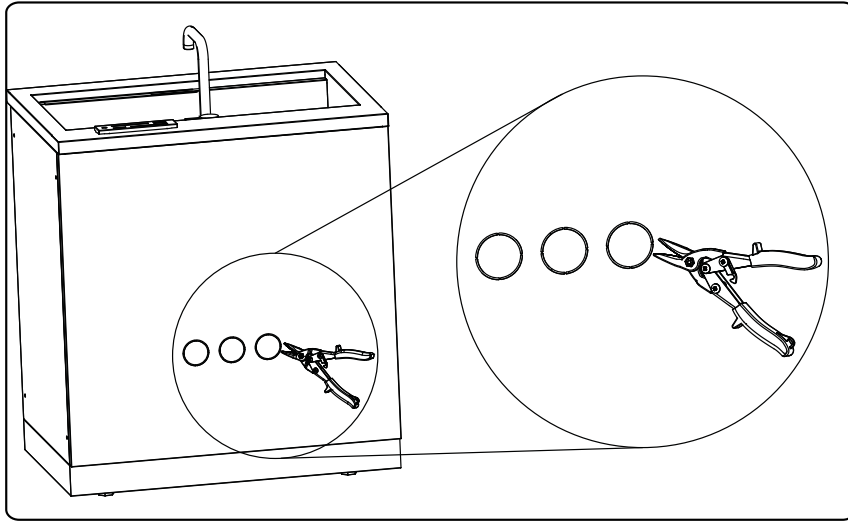
i NOTE: Make sure the plumbing work is done as per the Building codes of the region.

i NOTE: It is recommended to have a certified plumber for installing the sink Cabinets.

Preparing the Sink Cabinets

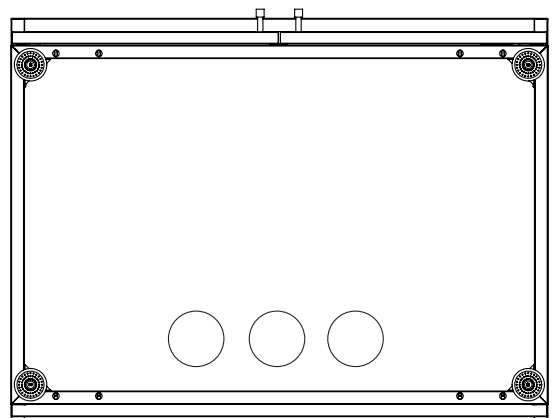
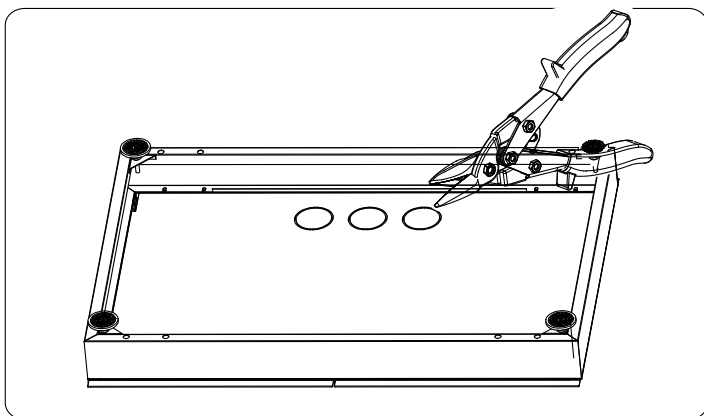
i Make sure the plumbing line (Cold/Hot water lines and drain pipe) are located underneath or behind the back wall of the cabinet, aligned with the three pre-slotted holes at the bottom of the cabinet. Follow Steps 1a or 1b as per the location of the plumbing lines.

1a Locate the 3 pre-slotted holes at the back wall of the cabinet for the plumbing lines. Using tin snips cut small webs to release the knockouts.



Backview of Sink Cabinet

1b Locate the 3 pre-slotted holes at the bottom of the cabinet for the plumbing lines. Using tin snips cut small webs to release the knockouts.

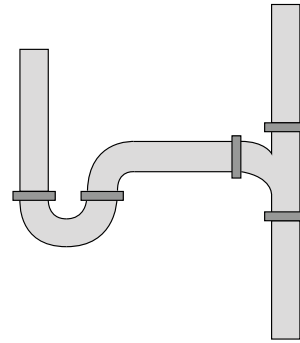


Bottom view of Sink Cabinet

Preparing the Sink Cabinets

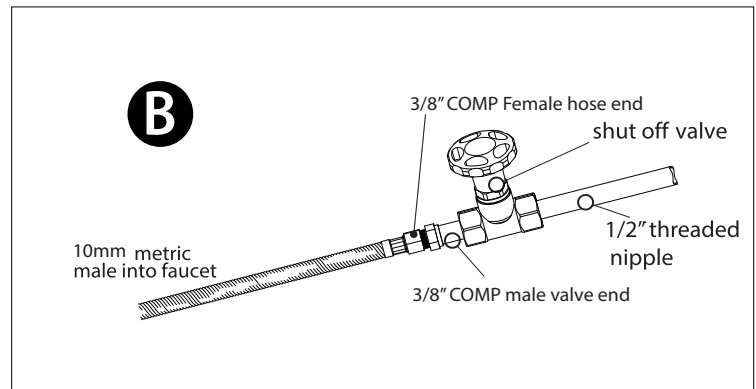
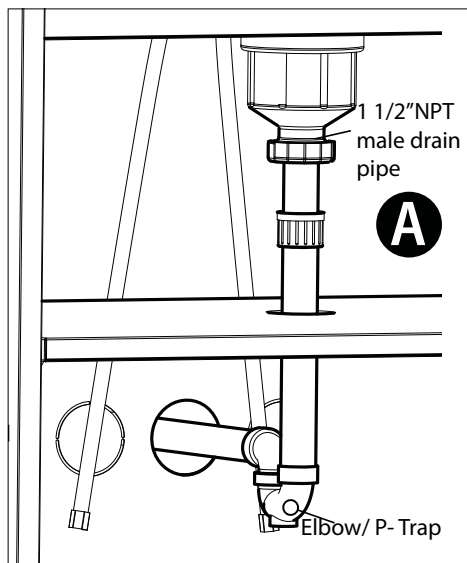


Make sure to apply the latest plumbing standards and requirements of your regional building codes. The P-Trap drainage is recommended for the plumbing. It is recommended to have a certified plumber for installing the sink Cabinets

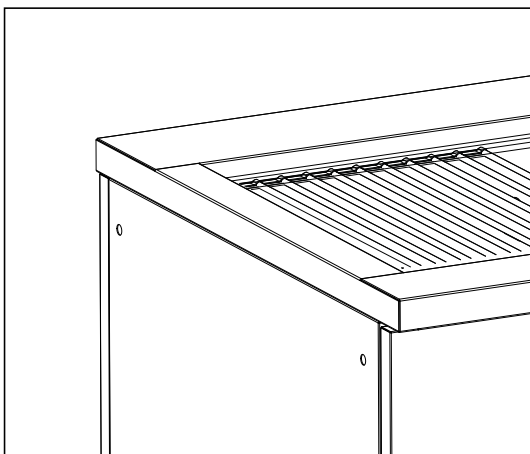


P-Trap

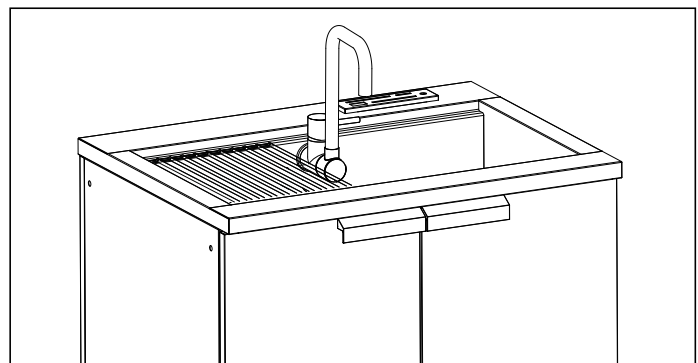
- 3** Connect the drain trap adapter to a P-trap and drainage tubing (A). Connect the braided water inlet lines hot and cold to the supply lines(B).



- 4** Place the drying tray on the surface of the sink



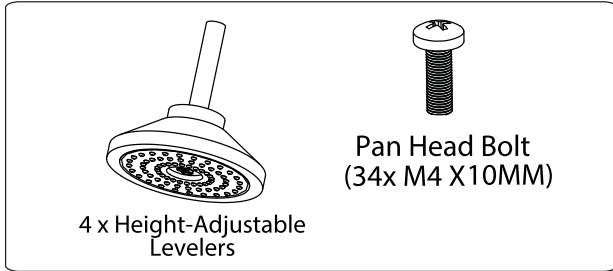
- 5** The faucet is pre-installed into the cabinet. The head is folded sideways inside the packaging. Unfold it upwards to restore its position.



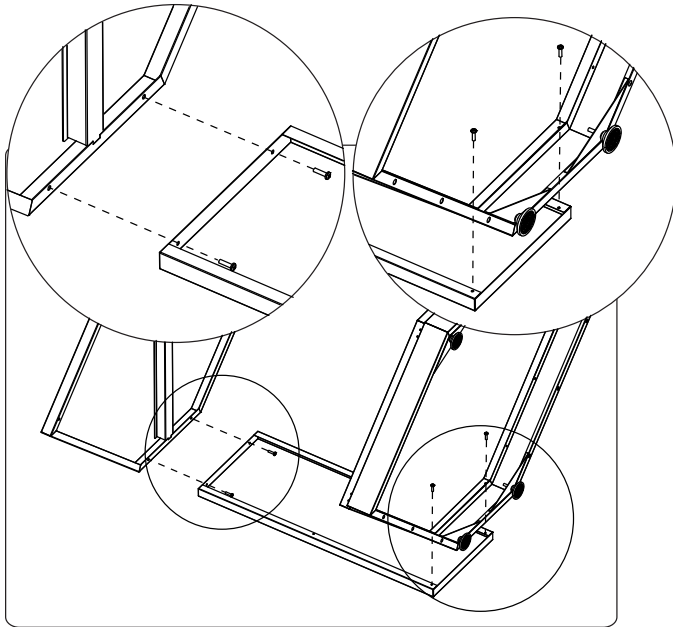
Assembling the 90° Corner Cabinet

Frame Assembly

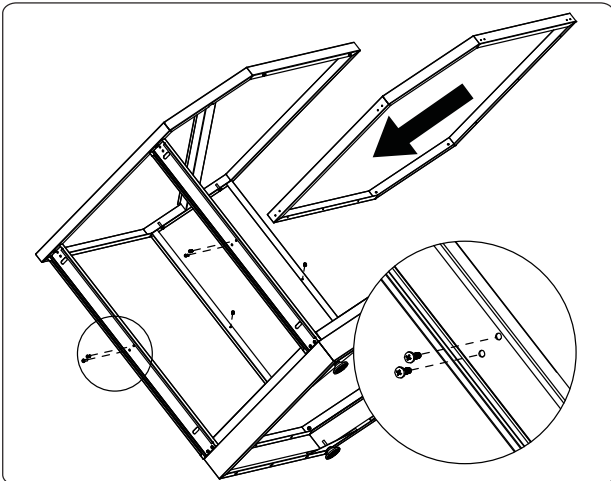
i Parts Needed



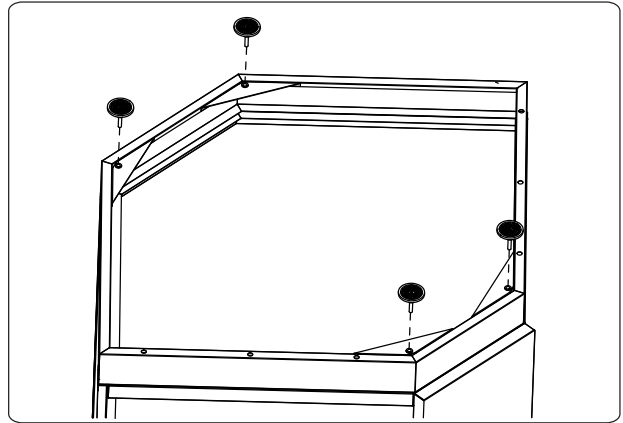
2 Attach Top, Back Panel and Base 2 with 4 X M4 x 10mm pan head bolts.



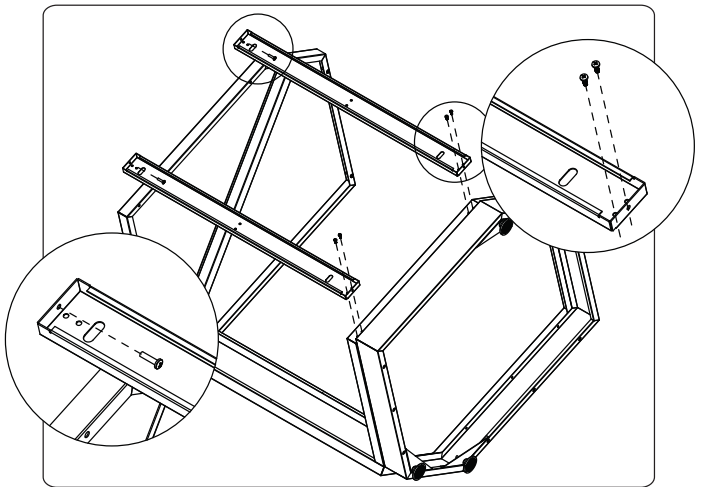
4 Attach shelf to vertical supports using 4X M4 X 10MM Pan Head Bolts.



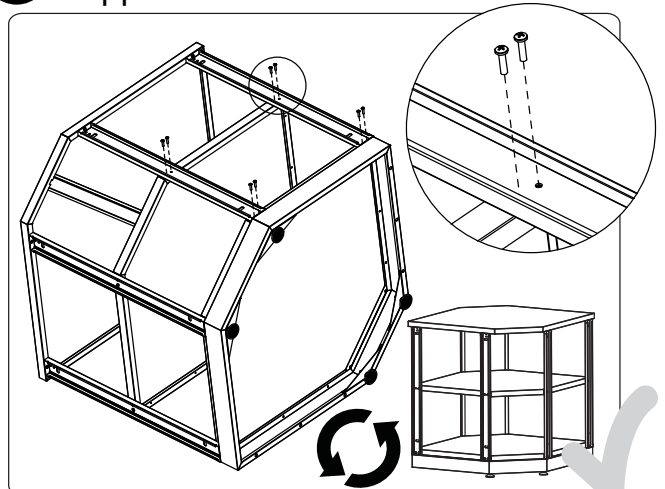
1 Attach 4 Levelers to 4 corner brackets with insert nuts.



3 Attach 2 uprights to assembly using 4x M4 x 10mm pan head bolts



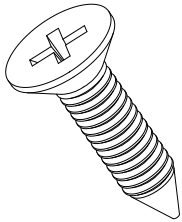
5 Repeat step 4 for 2 more vertical supports.



Assembling the 90° Corner Cabinet

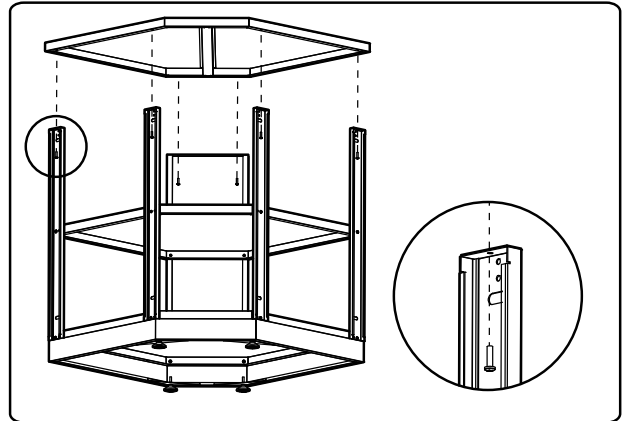
Frame Assembly for Granite Top

i Parts Needed

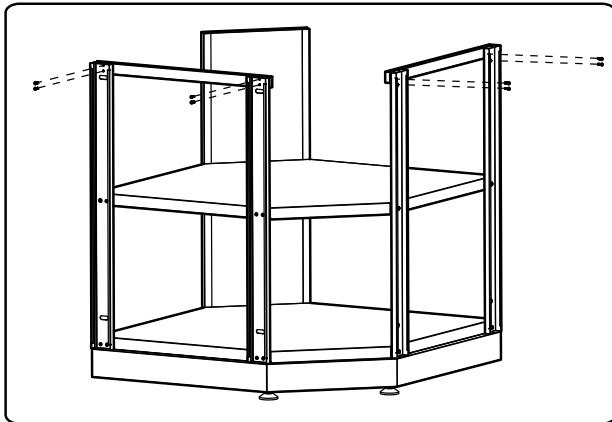


6 x Flat Head Wood
Screw
(ST 4.2-16 mm)

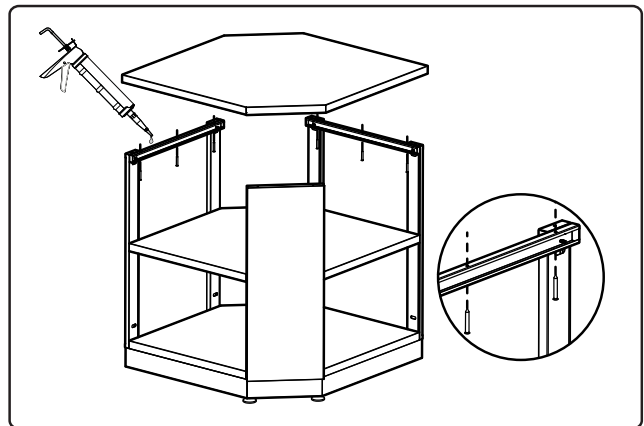
1 Undo Stainless Steel Top by removing 6 x Pan head M4 X 10MM bolts



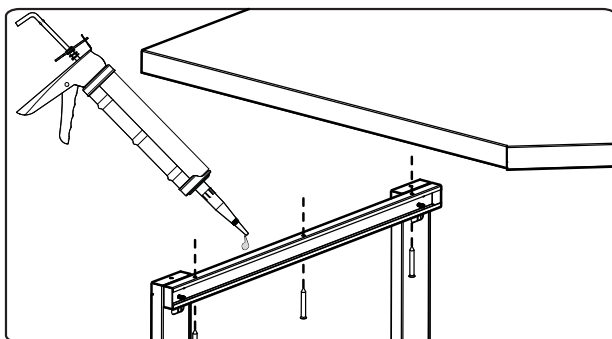
2 Attach 2 included Granite rails using 4 x M4 X 10MM pan head bolts at top of supports.



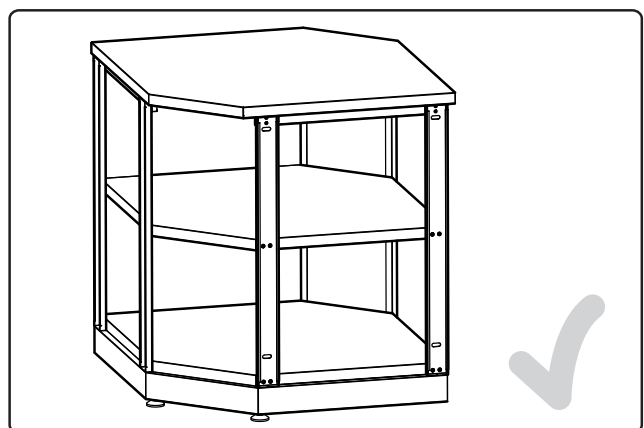
3 Attach Granite corner top with 6 x ST 4.2-16 mm flat Head wood screws into Outdoor plywood granite backer.



4 Add silicone using 8 small dabs to hold top in place. Wipe up any extra silicone that seeps out during installation.

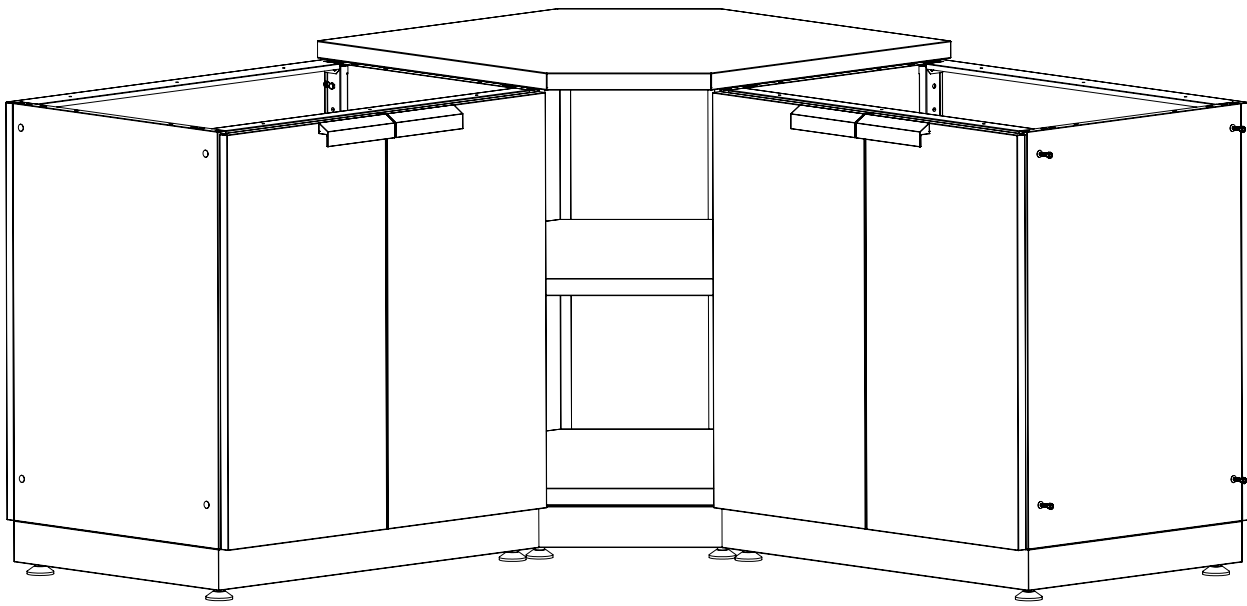


5 Undo Stainless Steel Top by removing 6 x Pan head M4 X 10MM bolts



Creating the 90° Corner

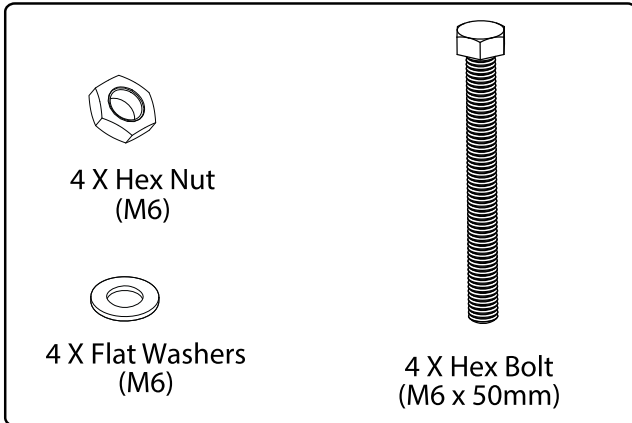
90° Corner Cabinet



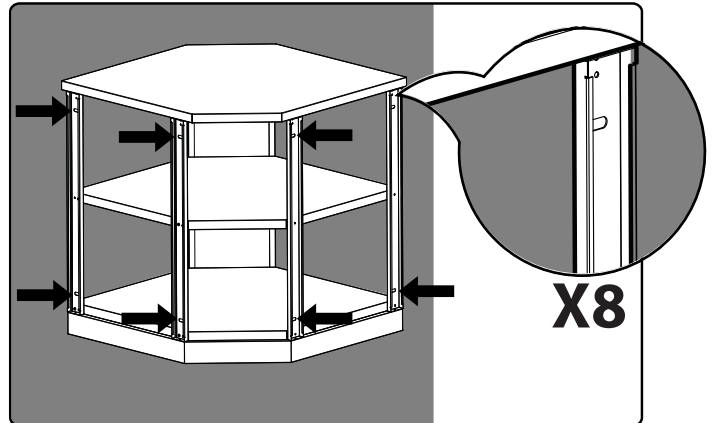
Creating the 90° Corner

Fastening the cabinets

i Parts Needed

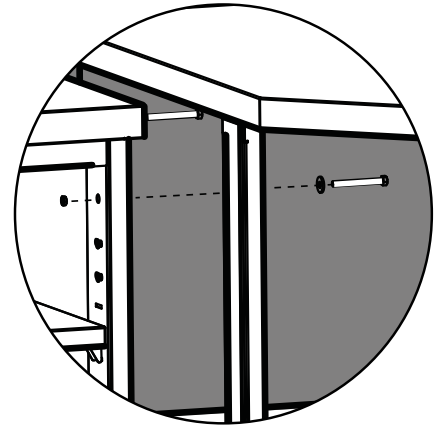
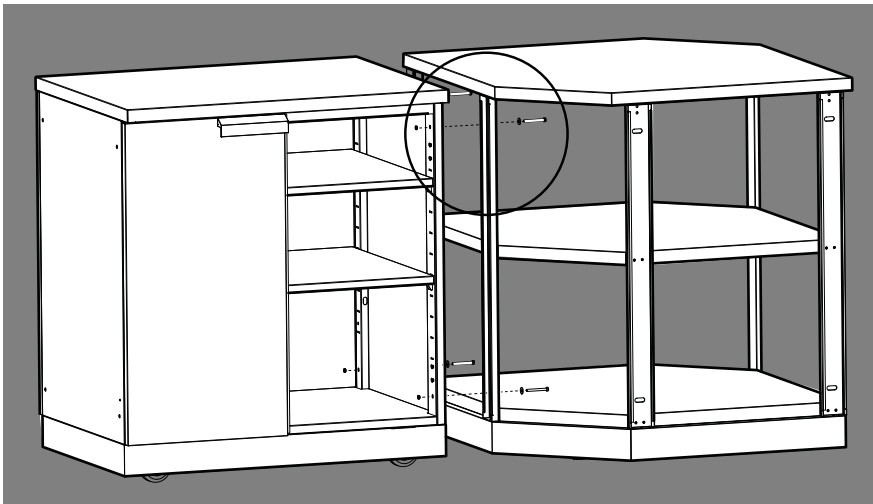


1 Locate bolt slots on upright supports.



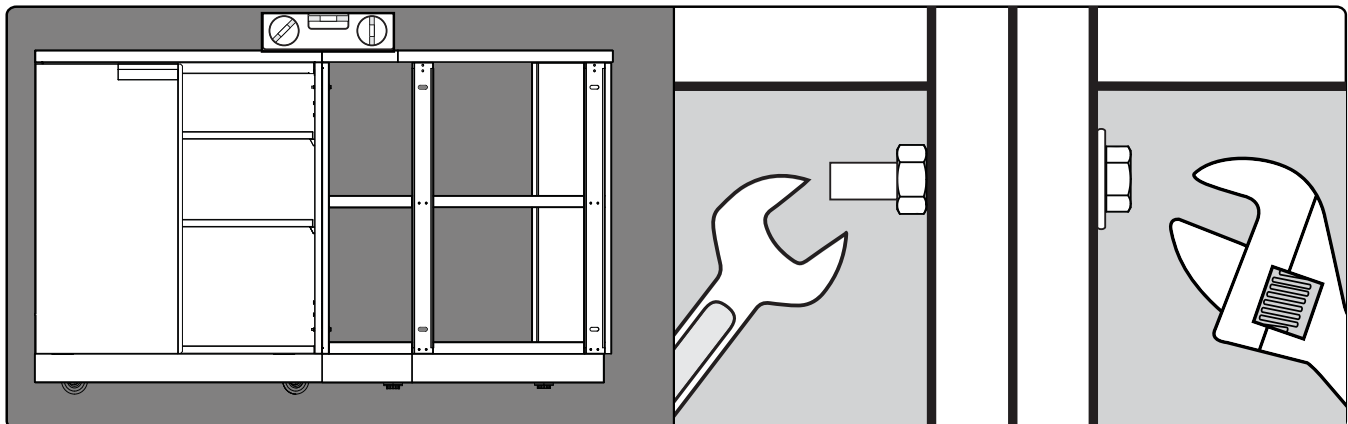
*** Door removed for ease of explanation ***

2 Align hole locations, put bolt and washer through holes and then tighten the nut lightly.



X4

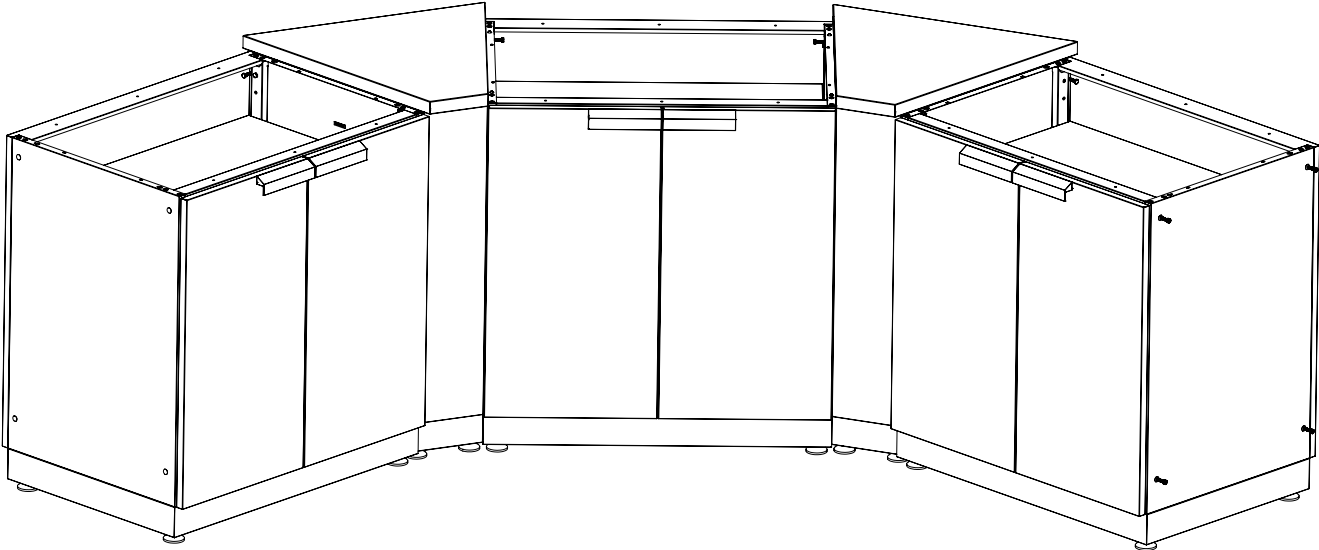
3 Level cabinets and tighten all bolts.



Creating the 45° Corner

45° Corner Cabinet

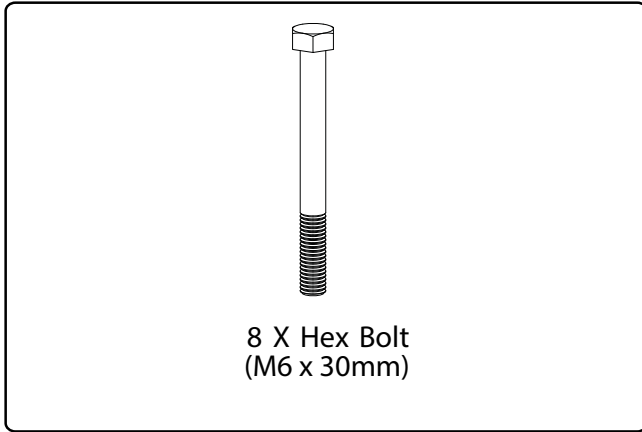
45° Corner Cabinet



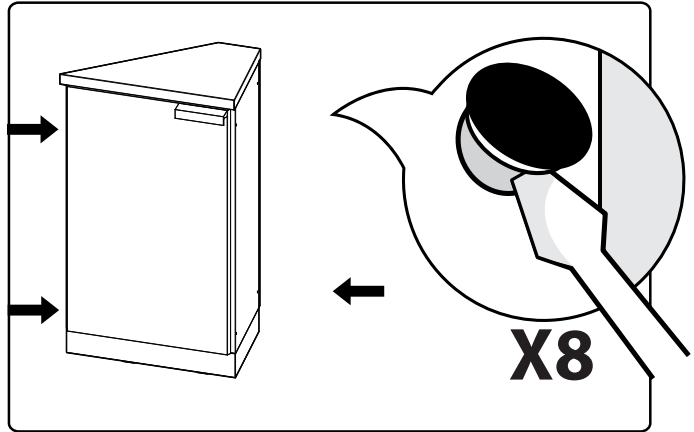
Creating the 45° Corner

Fastening the cabinets

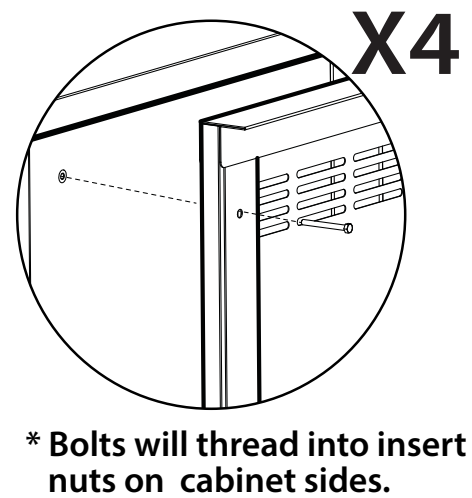
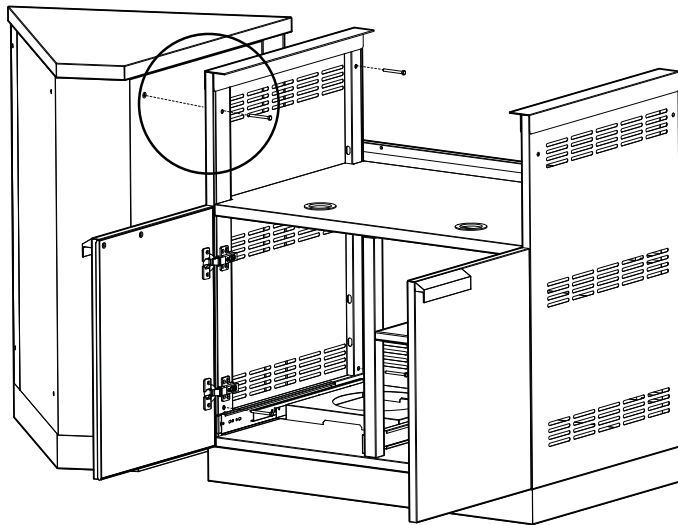
i Parts Needed



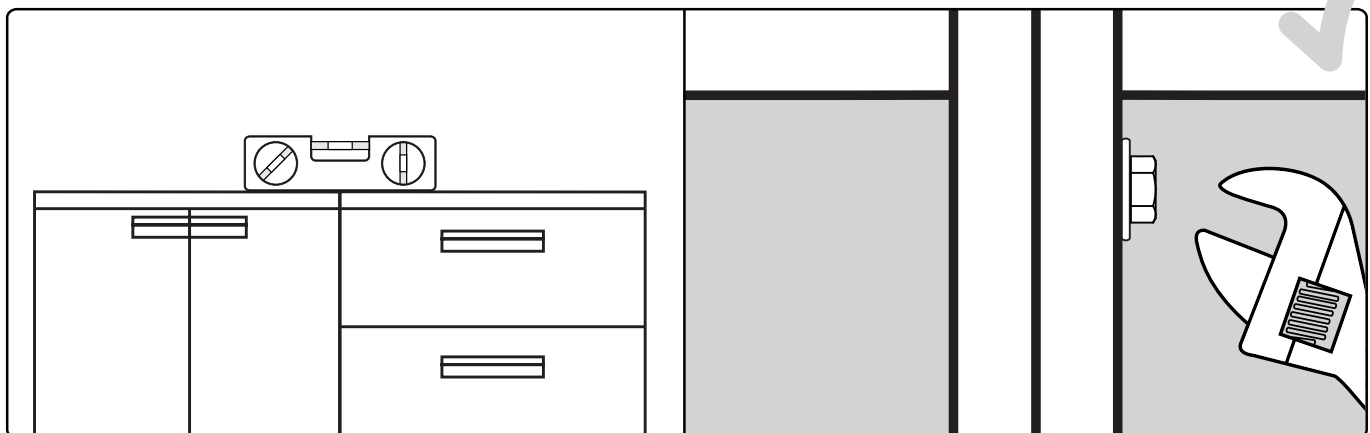
1 Remove plastic caps from the cabinet if installed.



2 Align bolts, tighten lightly.



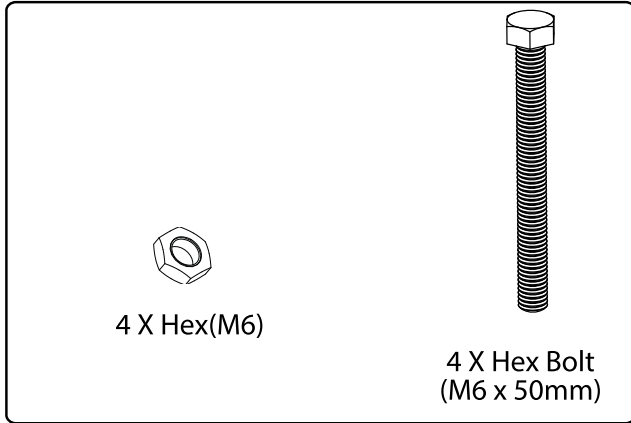
3 Level cabinets and tighten all bolts.



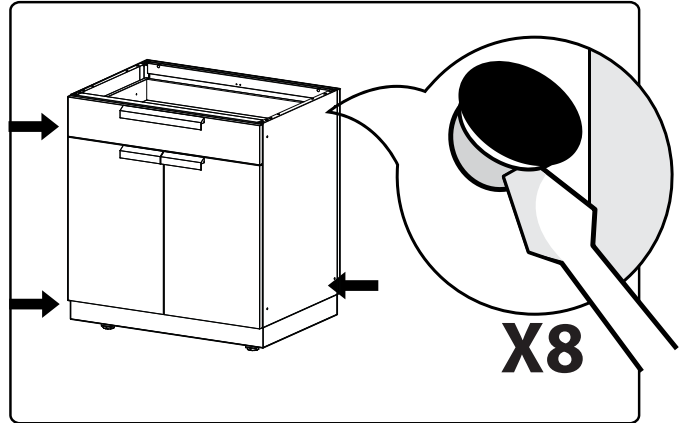
Attaching the Cabinets

Fastening the cabinets with each other

i Parts Needed

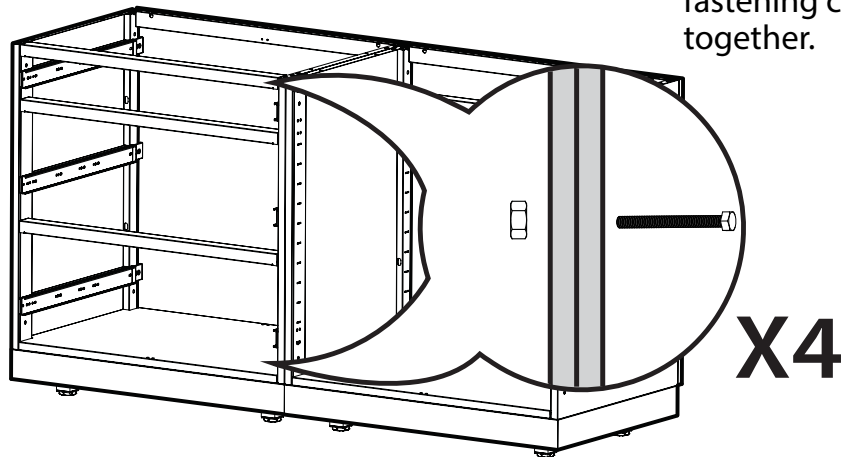


1 Remove plastic caps from the cabinets

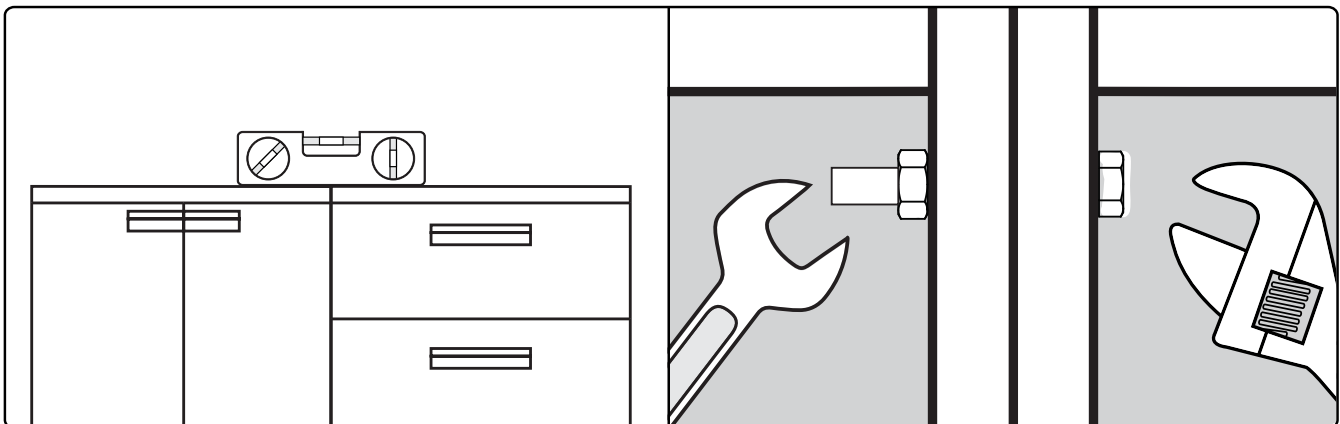


2 Align bolts, and tighten lightly.

i **NOTE:** All doors and drawers must be removed prior to fastening cabinets together.



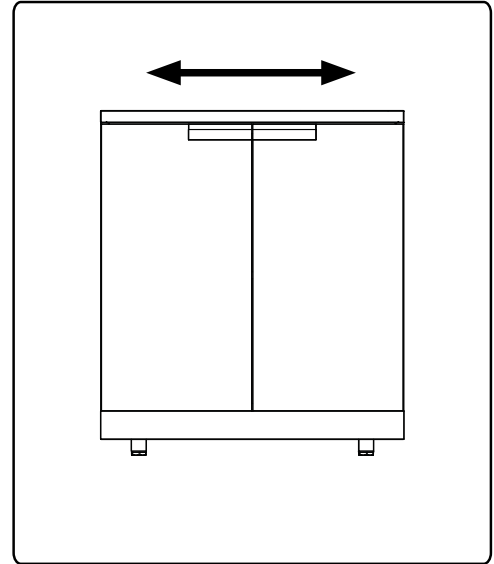
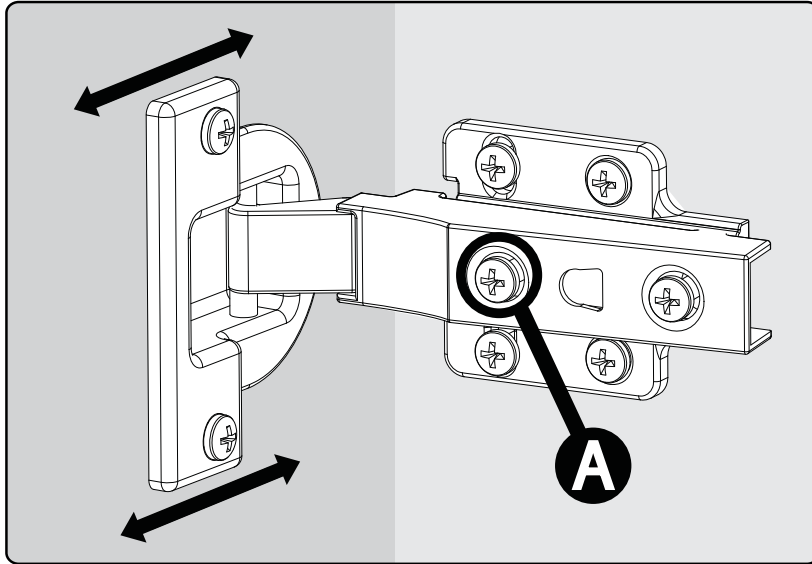
3 Level cabinets and tighten all fasteners.



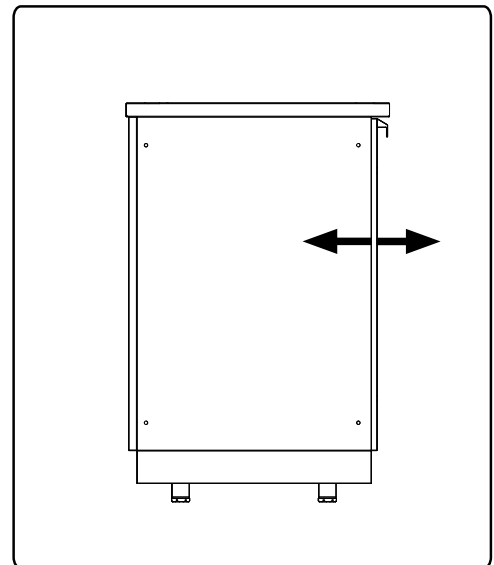
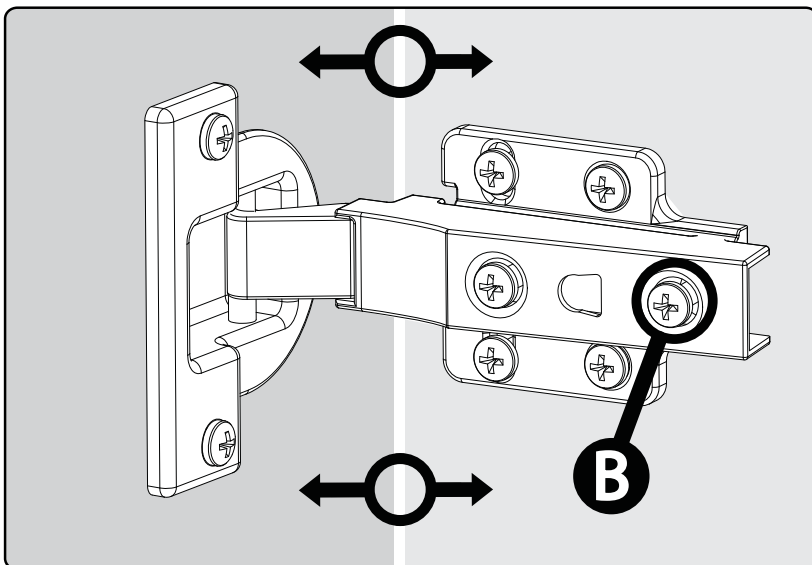
Adjusting the Door Hinges

i NOTE: Using a Philips screwdriver, the doors can be adjusted:
Left, right, forwards and backwards.

1 To adjust the doors left or right, turn the screw (A) clockwise or counterclockwise.



2 To adjust the gap between the doors and frame, turn the screw (B) clockwise or counterclockwise.



Installing the Countertops

Classic Outdoor Kitchen Cabinets SS Worktop

SKU	Description
65800	Classic Outdoor Kitchen Cabinets 32in Worktop
65801	Classic Outdoor Kitchen Cabinets 56in Worktop
65802	Classic Outdoor Kitchen Cabinets 64in Worktop
65803	Classic Outdoor Kitchen Cabinets 88in Worktop
65804	Classic Outdoor Kitchen Cabinets 96in Worktop

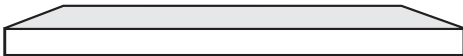
Worktops



32" Worktop. Fits over 1 Cabinet



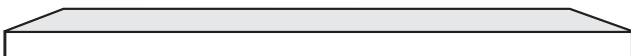
56" Worktop. Fits over 1 Cabinet & Fridge nook.



64" Worktop. Fits over 2 Cabinets



88" Worktop. Fits over 2 Cabinets & Fridge nook.



96" Worktop. Fits over 3 Cabinets

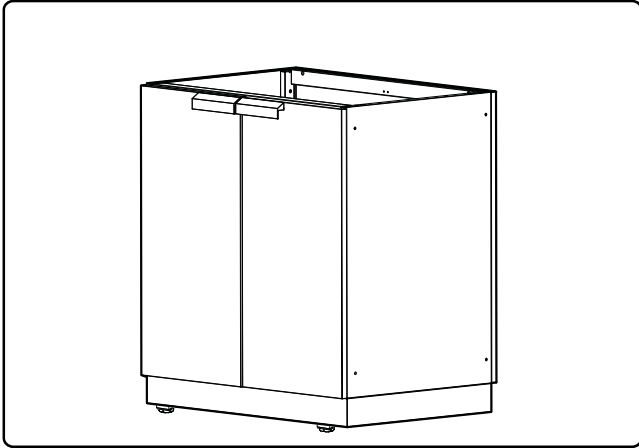
Classic Outdoor Kitchen Cabinets Granite Countertop

SKU	Description
89121	Classic Outdoor Kitchen Cabinets 32in Black Galaxy Granite Countertop
89122	Classic Outdoor Kitchen Cabinets 56in Black Galaxy Granite Countertop
89123	Classic Outdoor Kitchen Cabinets 64in Black Galaxy Granite Countertop
89124	Classic Outdoor Kitchen Cabinets 88in Black Galaxy Granite Countertop
89221	Classic Outdoor Kitchen Cabinets 32in Gold Sand Granite Countertop
89222	Classic Outdoor Kitchen Cabinets 56in Gold Sand Granite Countertop
89223	Classic Outdoor Kitchen Cabinets 64in Gold Sand Granite Countertop
89224	Classic Outdoor Kitchen Cabinets 88in Gold Sand Granite Countertop

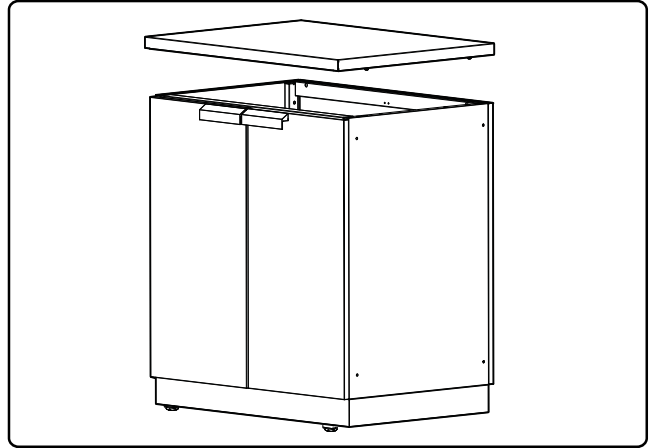
Installing the Countertops

Mounting the SS Worktop on Cabinets

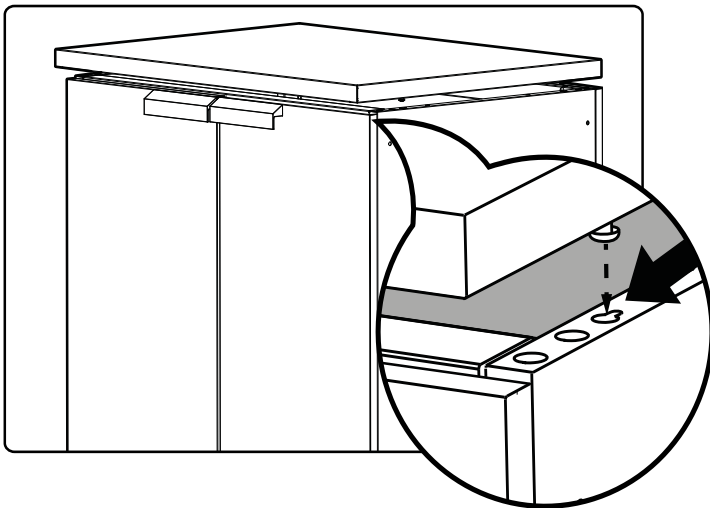
1 Stand cabinet upright.



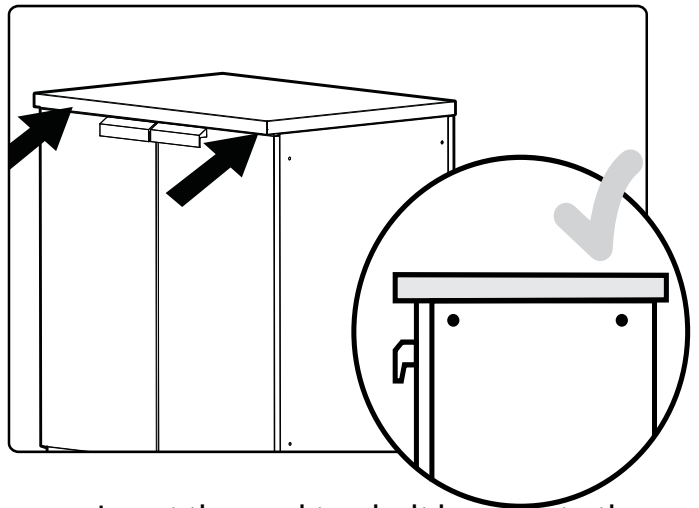
2 Place worktop over cabinets.



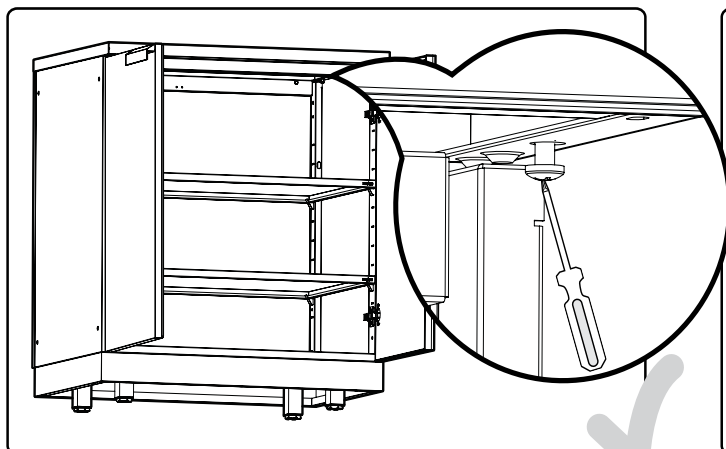
3 Insert the worktop bolt heads into the keyhole shape slots.



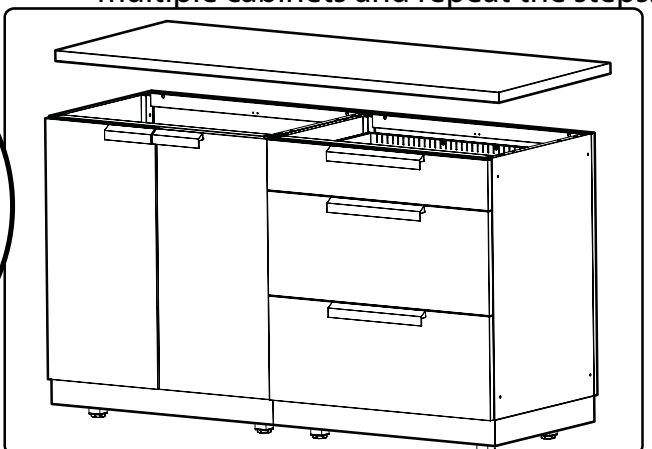
4 Push worktop in to lock.



5 Tighten screws to secure cabinets.



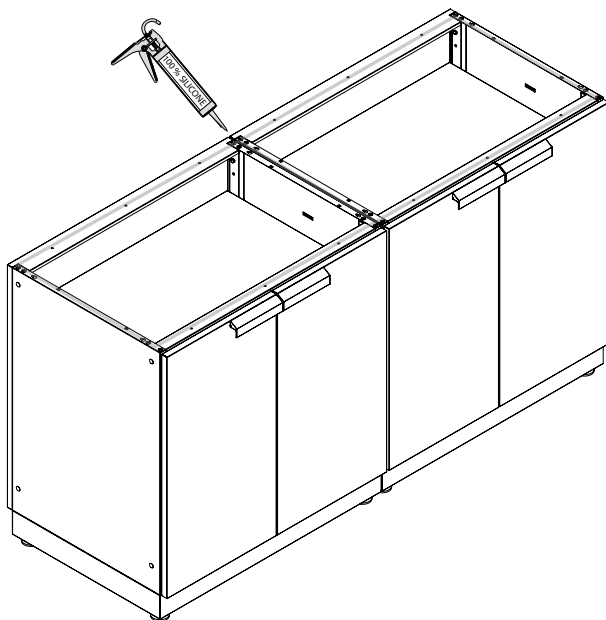
6 Insert the worktop bolt heads into the keyhole shape slots for the worktops on multiple cabinets and repeat the steps.



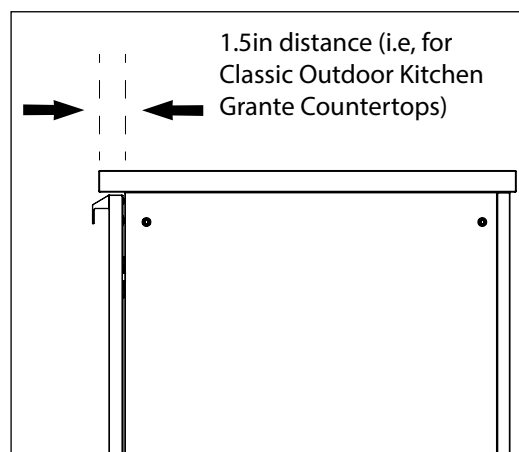
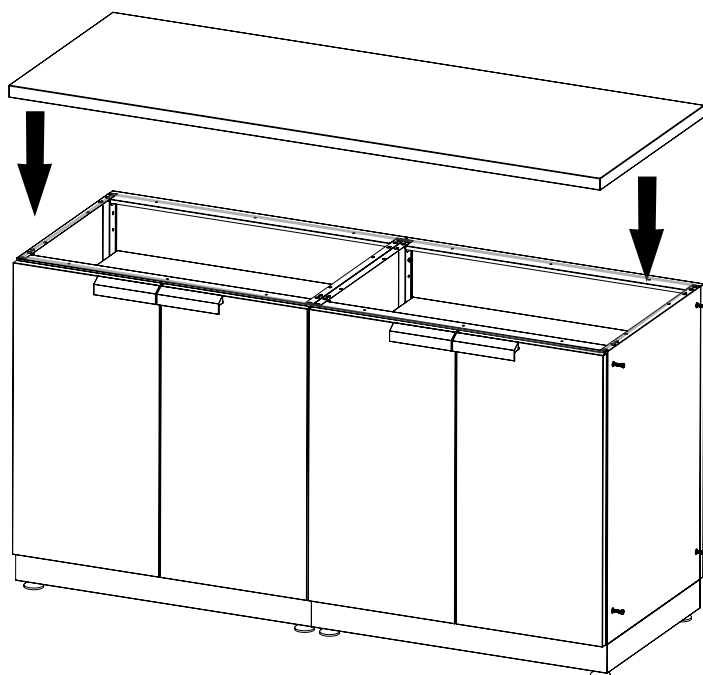
Installing the Countertops

Mounting the Granite Countertops on Cabinets

- 1 Using a caulking gun with 100% silicone (not included), apply a bead of Silicone on the top panel of the cabinets



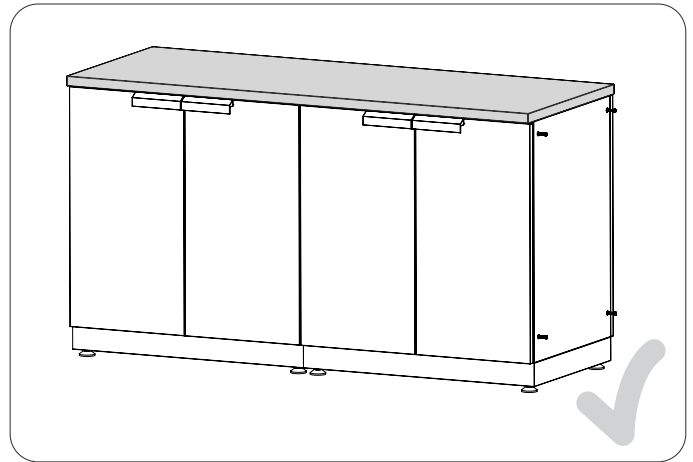
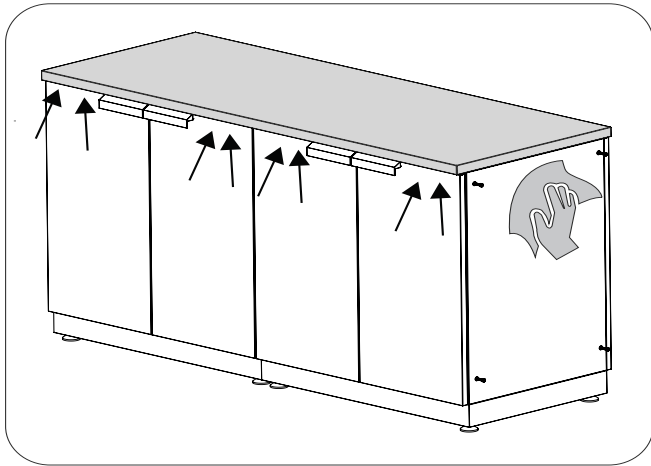
- 2 Using two people, lift countertop carefully. Align the front edge of the granite top to the front edge of the cabinets with a 1.5in offset and then slowly place it on top.



Installing the Countertops

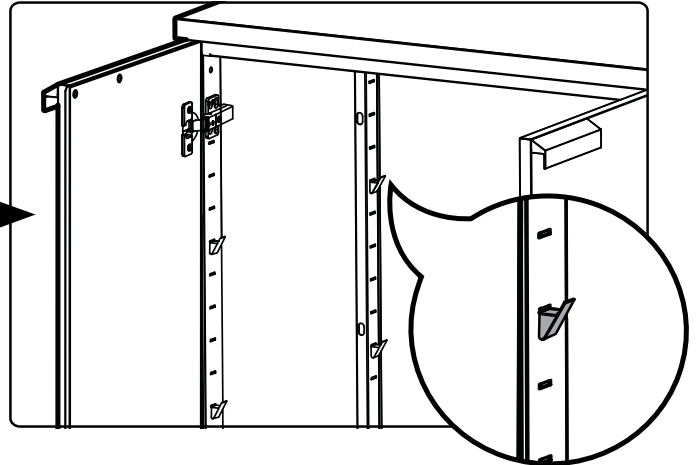
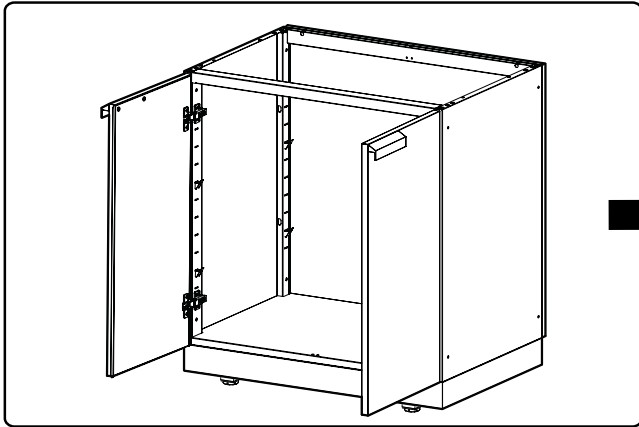
Mounting the Granite Countertops on Cabinets

- 3** Using a wet cloth, wipe away any excess silicone along joint between countertop and cabinet.
Follow the silicone manufacturers instructions for dry time.

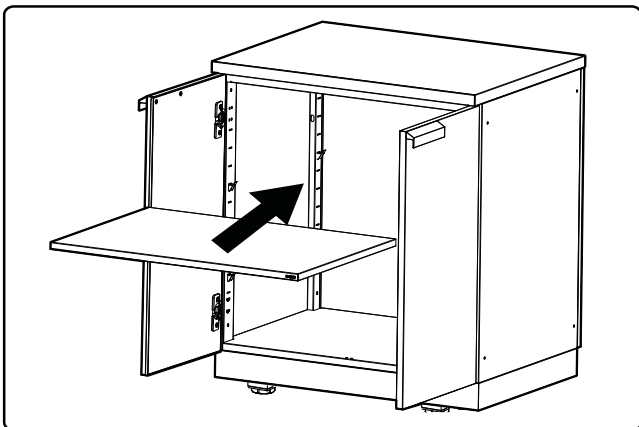


Inserting Cabinet Shelves

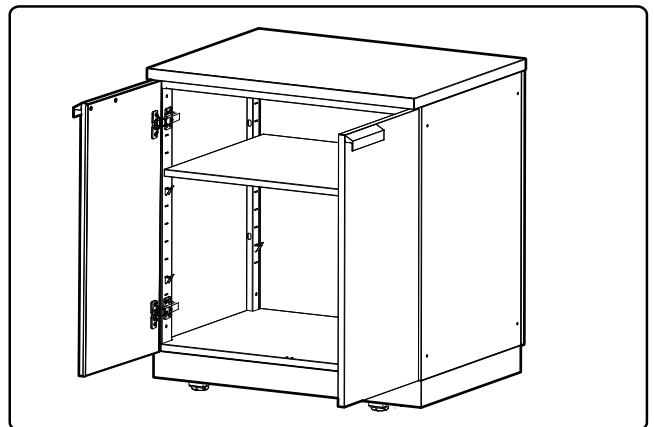
1 Open cabinet doors. Attach shelf clips to desired height.



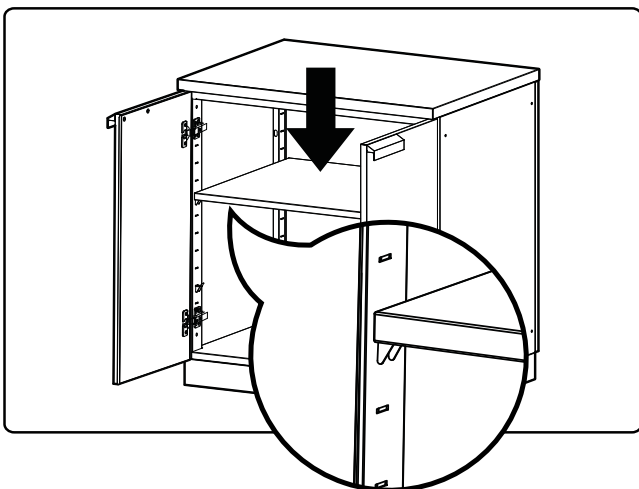
2 Begin by leveling the shelf.



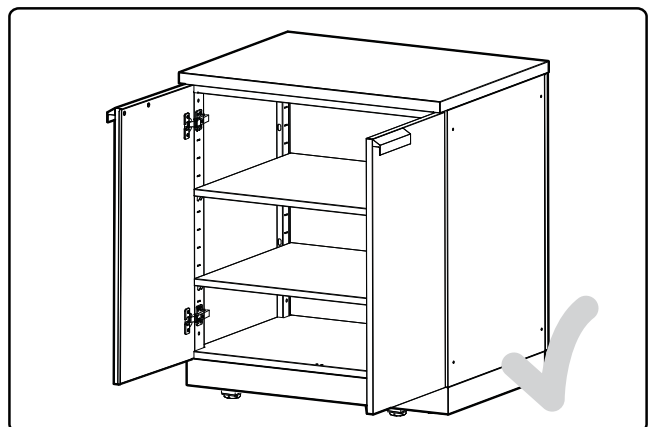
3 Insert and position the shelf above the shelf clips.



4 Lower the shelf down onto the shelf clips



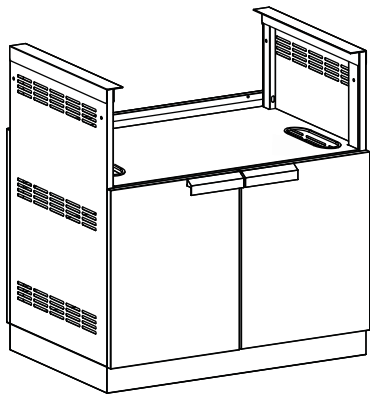
5 Install the remaining shelves.



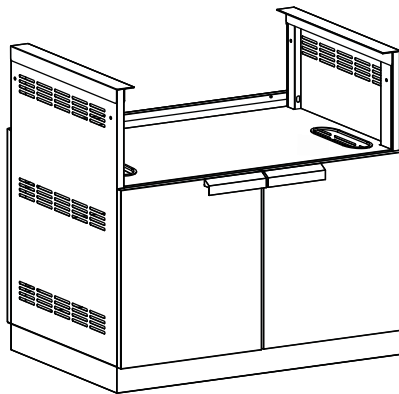
Installing NewAge Insert Grills



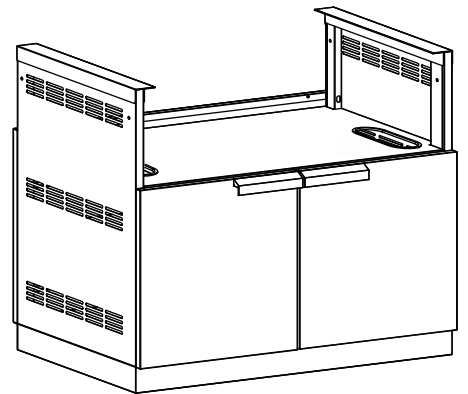
The following instructions apply to the cabinets below



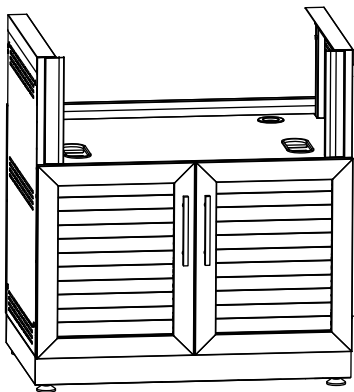
33" Insert Grill Cabinet
SKU# 65047
SKU# 70007



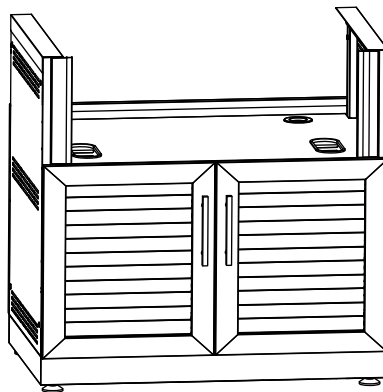
36" Insert Grill Cabinet
SKU# 65048
SKU# 70008



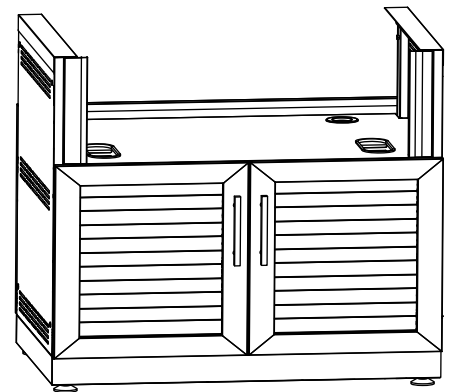
40" Insert Grill Cabinet
SKU# 65049
SKU# 70009



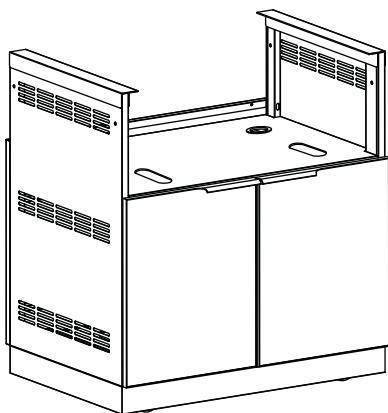
33" Insert Grill Cabinet
SKU# 65630
SKU# 70108



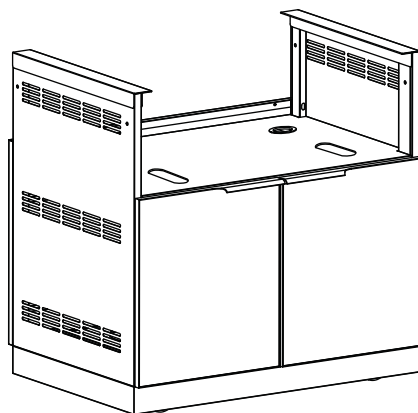
36" Insert Grill Cabinet
SKU# 65631
SKU# 70107



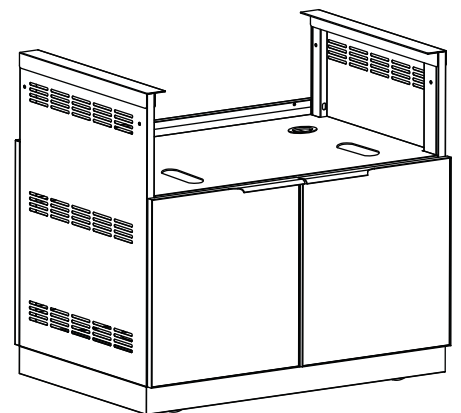
40" Insert Grill Cabinet
SKU# 65632
SKU# 70109



33" Insert Grill Cabinet
SKU# 65230
SKU# 70208



36" Insert Grill Cabinet
SKU# 65231
SKU# 70206

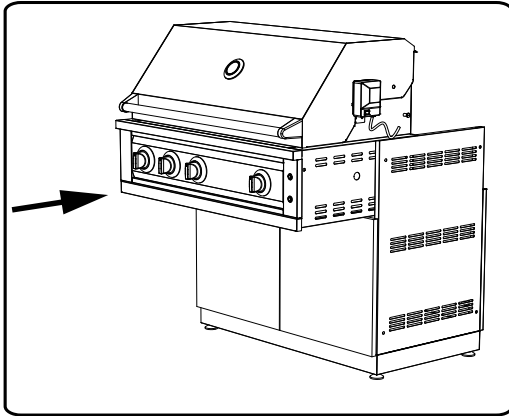


40" Insert Grill Cabinet
SKU# 65232
SKU# 70207

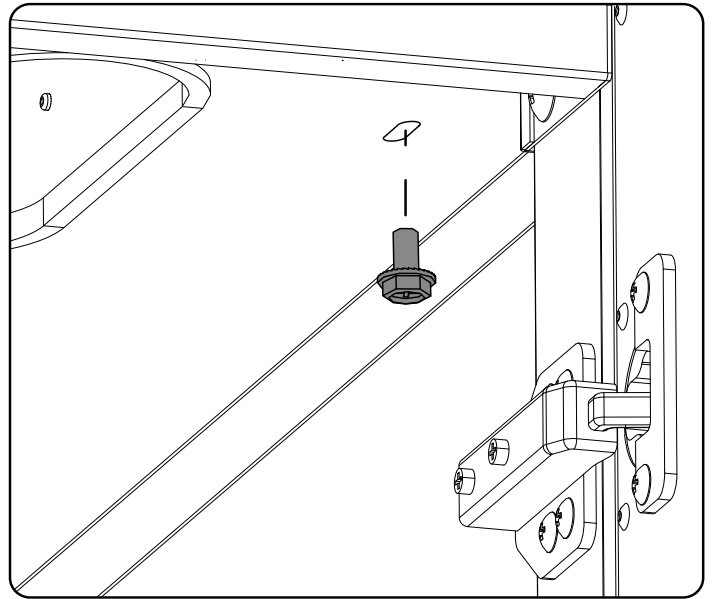
Installing NewAge Insert Grills

Mounting the NewAge Insert Grills on Cabinets

1 Place grill onto the cabinet

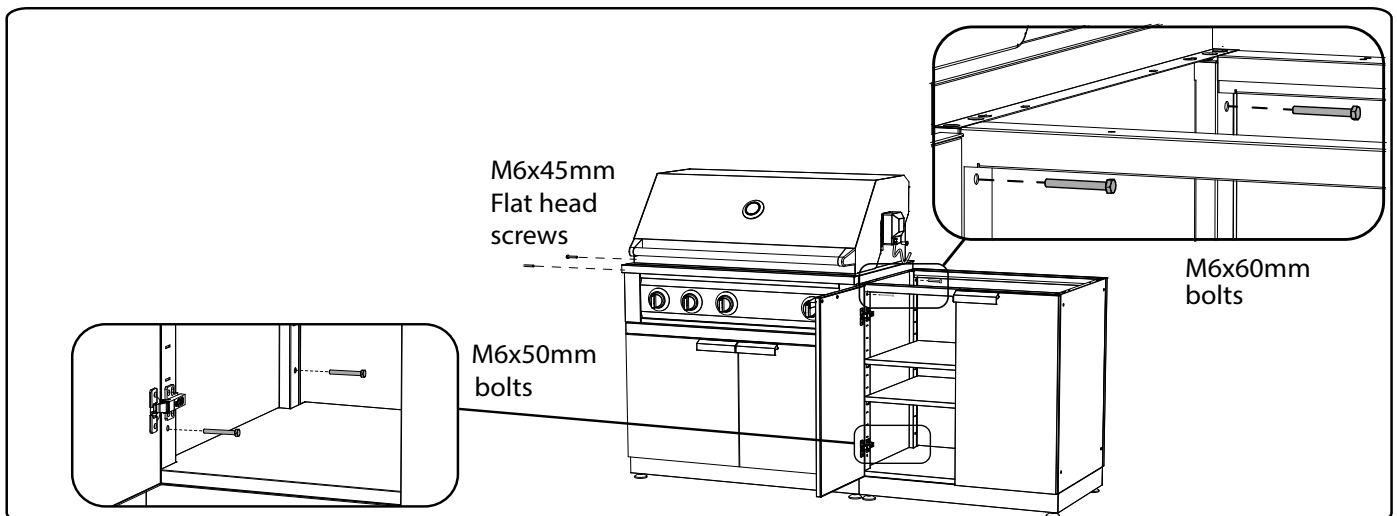


2 Secure grill to cabinet by inserting two M6X12 Flange hex head screws (supplied with Cabinet) that line up with insert nuts on the bottom side of the grill.



Installing Grill on Grill cabinet attached to other cabinets

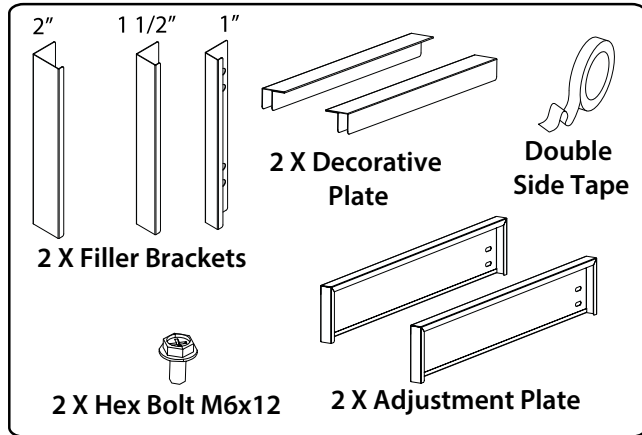
3 To add an additional cabinet, attach both the cabinets using two M6x60mm bolts through top mounting holes and two M6x50mm through bottom mounting holes. Follow same to install additional cabinet on other side, else use two flat head screws to secure grill to cabinet on open end.



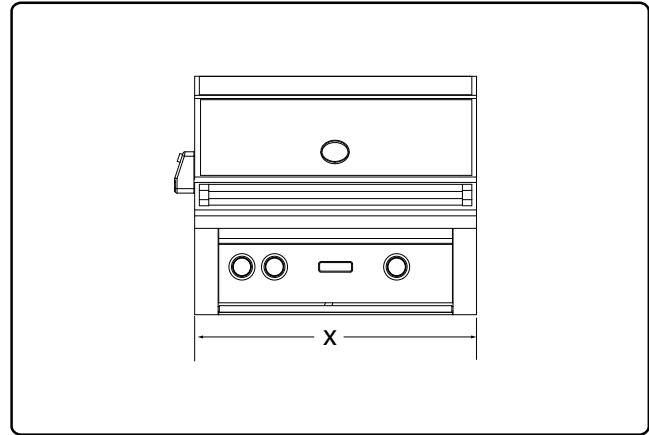
Note: For more details please refer NewAge Grill Install Manual supplied with grill for installing NewAge Grill on Cabinet.

Installing Custom BBQ Grills & Filler Brackets

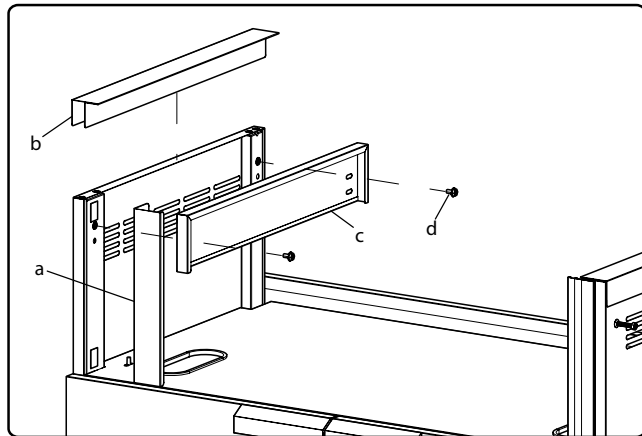
i Parts needed



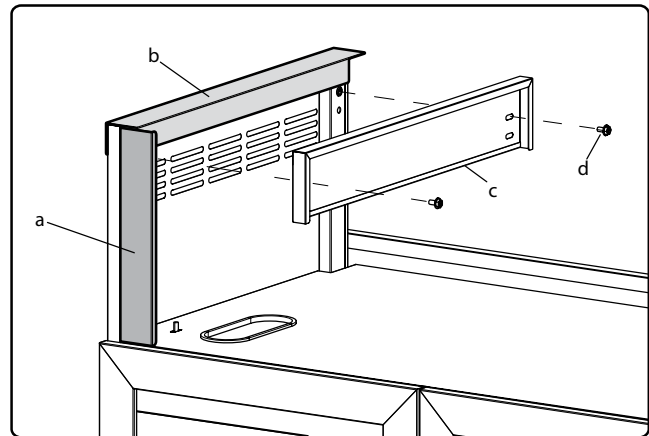
1 Measure the length "X" of the grill to be assembled. Select the filler brackets that suits the size of your grill.



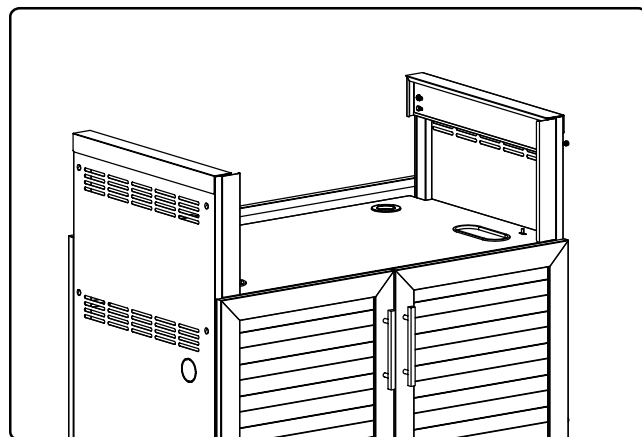
2 Place the decorative plate (b) with double side tape on top of the grill cabinet side panels with the filler bracket (a).



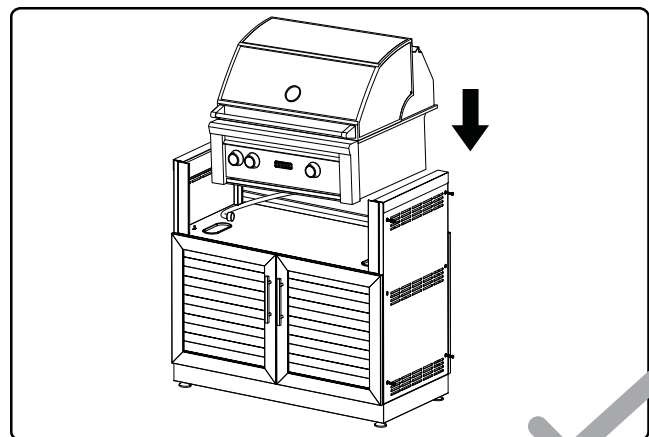
3 Install the adjustment plate (c) to the assembled filler bracket with hex bolts (d).



4 Repeat steps 2 & 3 to install on the other side.



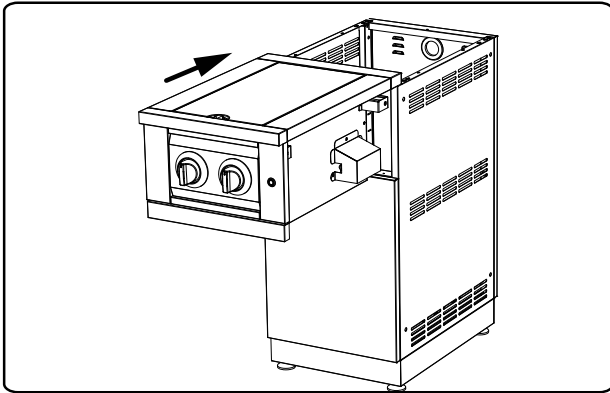
5 Place grill so that the rails touch the brackets.



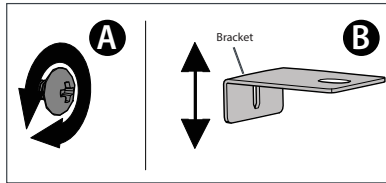
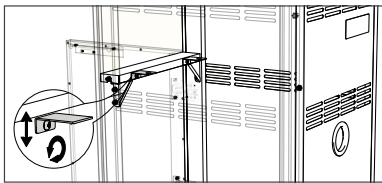
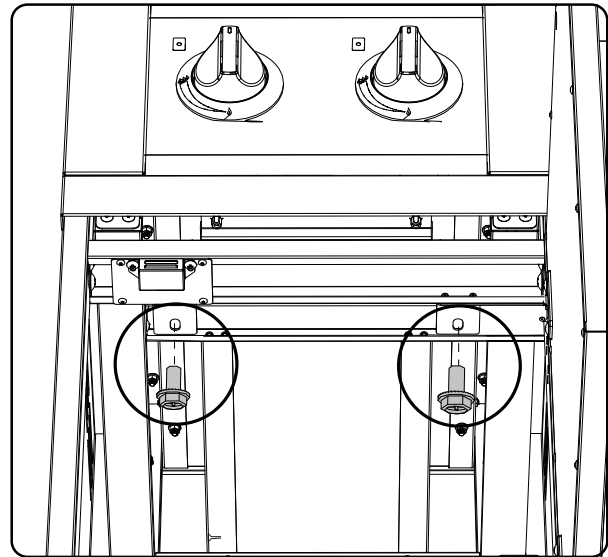
Installing NewAge Side Burner

Installing the Side Burner on individual Side Burner cabinet

- 1** Place the Side Burner appliance onto the cabinet.

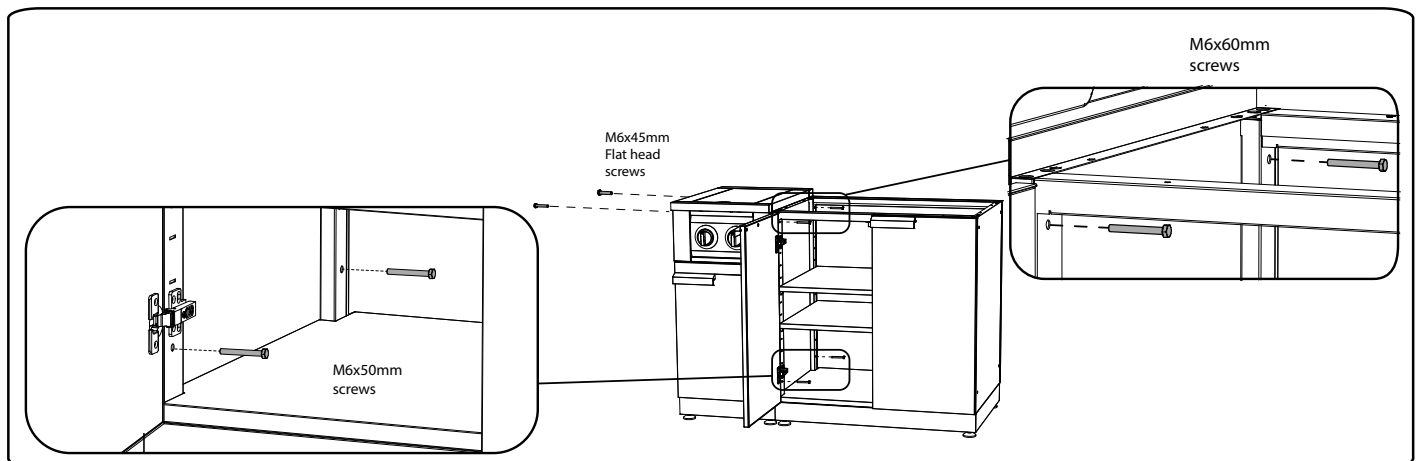


- 2** Use two M6X12 flange hex head screws (supplied with cabinet) to secure the Side Burner from bottom.



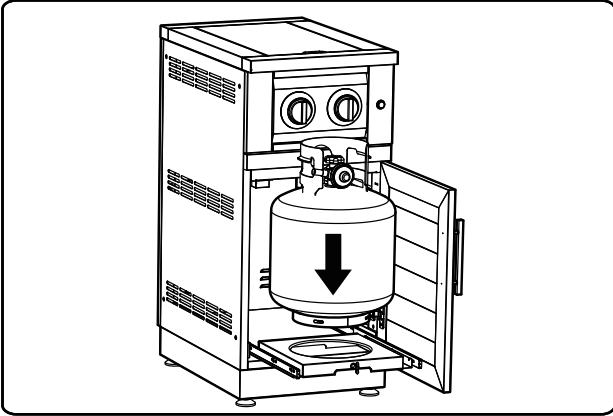
NOTE: To install Side Burner from bottom, Open the cabinet door. Partially loosen the screw mounted onto the brackets (A). Adjust height of the bracket and level the Side Burner base so it rest properly on bracket (B). Then tighten the Screws.

- 3** To add an additional cabinet, attach both the cabinets using two M6x60mm bolts through top mounting holes and two M6x50mm through bottom mounting holes. Follow same to install additional cabinet on otherside, else use two flat head screws to secure Side Burner to cabinet on open end.

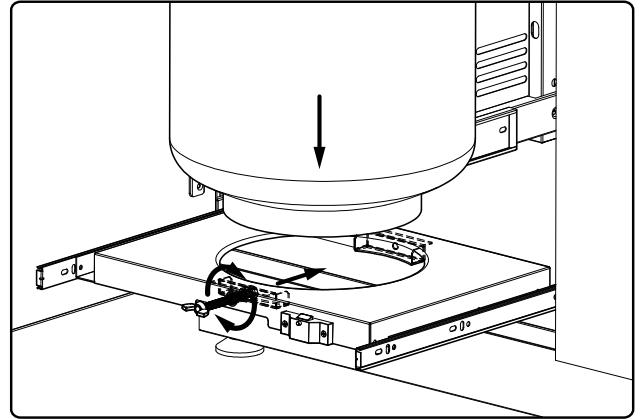


Installing Propane Tank

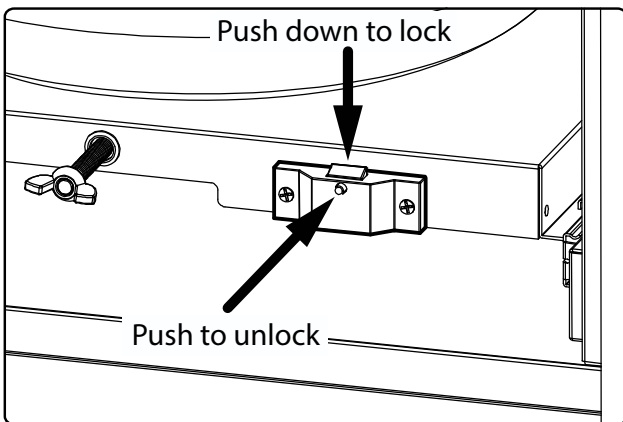
- 1** Place the propane tank in the ring of the tank tray.



- 2** Turn Wing nut bolt until the tank ring clamp which is underneath the tray is tight to the propane tank.

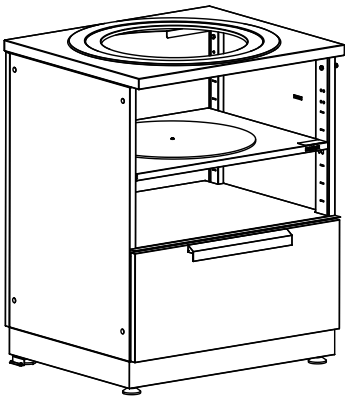


- 3** Once tank tray is pushed to the back of the cabinet, lock the tank tray by pushing down on the lock button. Push the release button to unlock.

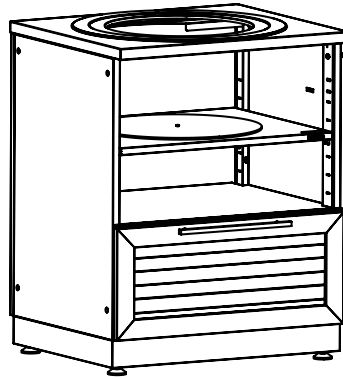


Preparing the Kamado Cabinet

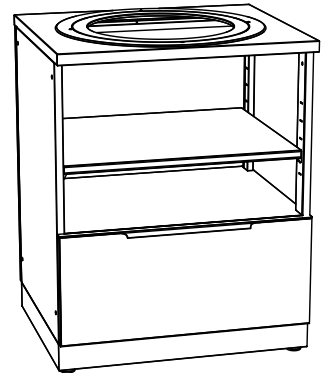
28" Kamado Cabinet



SKU# 65010
SKU# 70006

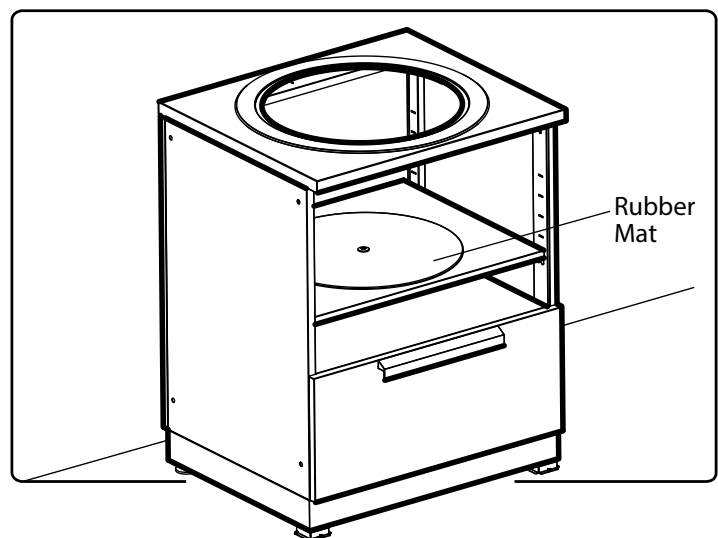
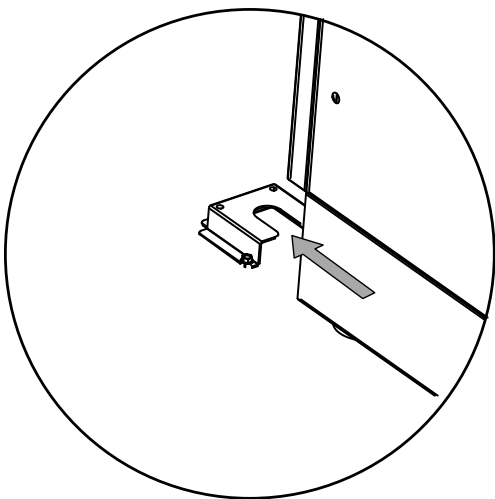


SKU# 65610
SKU# 70106



SKU# 65210
SKU# 70205

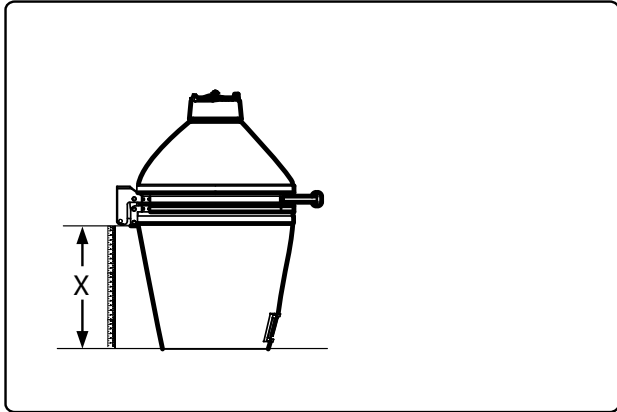
i NOTE: Ensure area is leveled and install the anti-tipping brackets Refer Installing the Anti-tipping Bracket section for more details



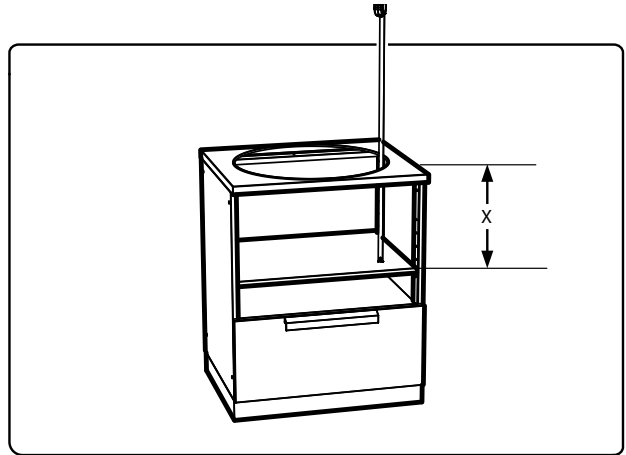
NOTE: Place the rubber mat at the Kamado sitting area.

Installing the Kamado onto the Cabinet

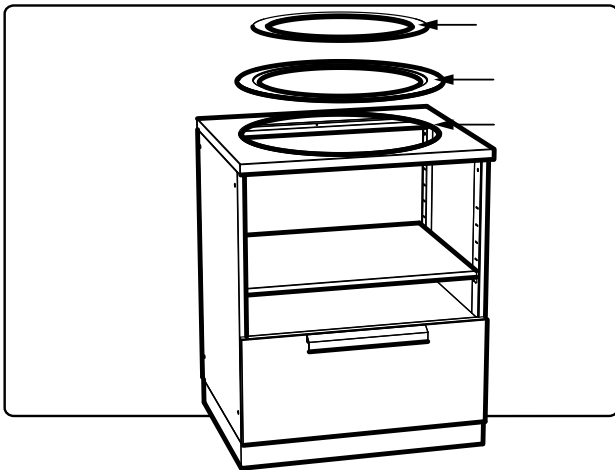
- 1** Measure "X" From Base of Kamado to bottom of lid bracket at rear of unit.



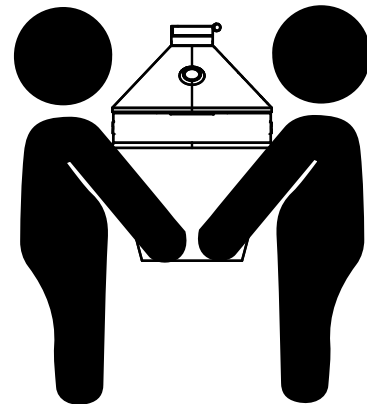
- 2** Adjust shelf height to dimension "X" from step 1.



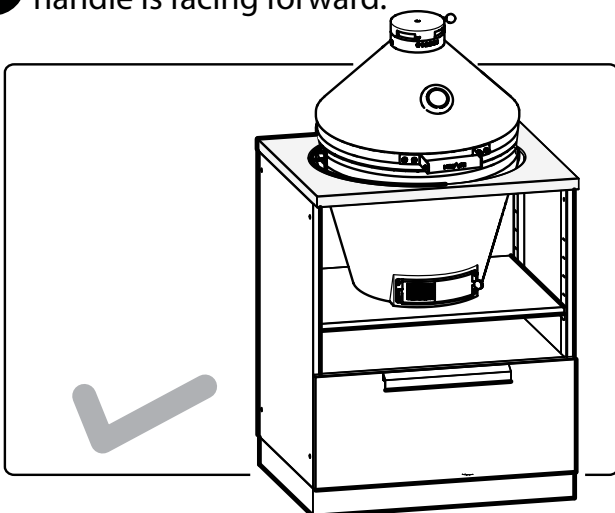
- 3** Select a ring which fits your Kamado and install it onto the cabinet.



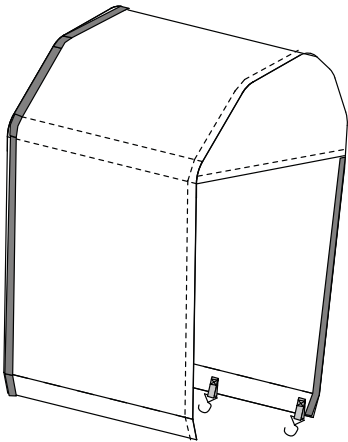
- 4** Carefully lift and place the Kamado into the Cabinet. (2 or more people may be required)



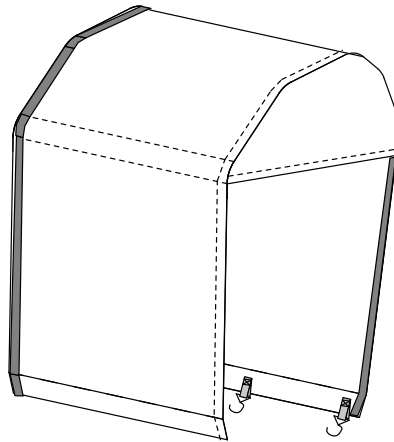
- 5** Ensure while placing the kamado, the handle is facing forward.



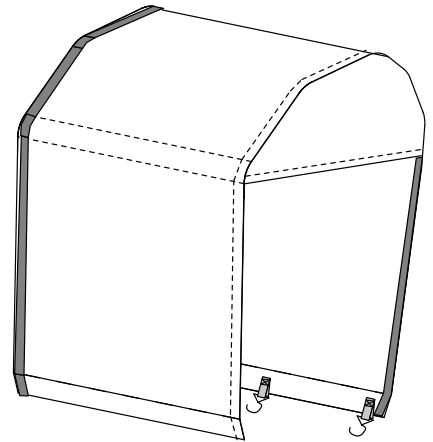
Installing the Cabinet Covers



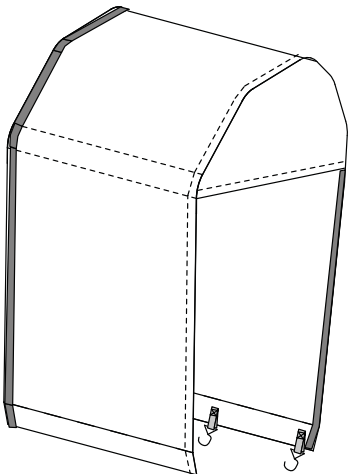
33" Platinum Grill Cabinet Black Cover
SKU# 65877



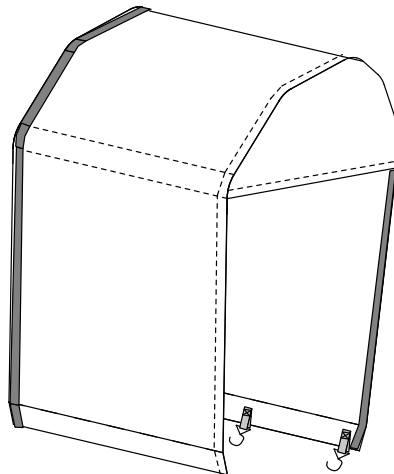
36" Platinum Grill Cabinet Black Cover
SKU# 65885



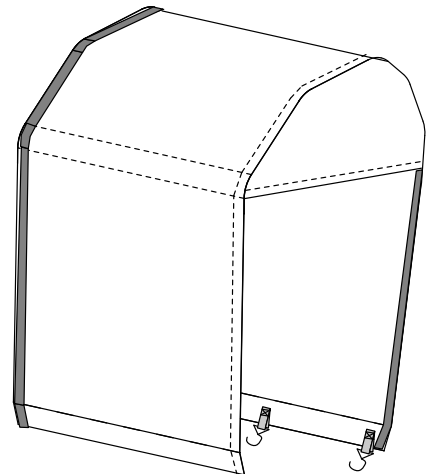
40" Platinum Grill Cabinet Black Cover
SKU# 65878



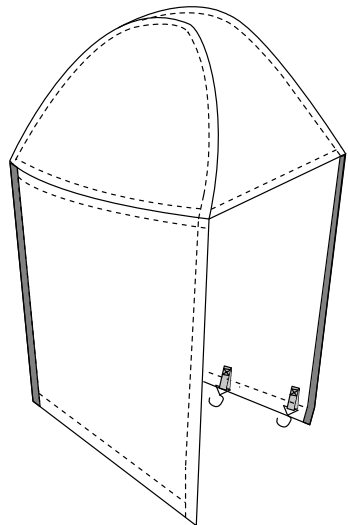
33" Performance Grill Cabinet Black Cover
SKU# 65887



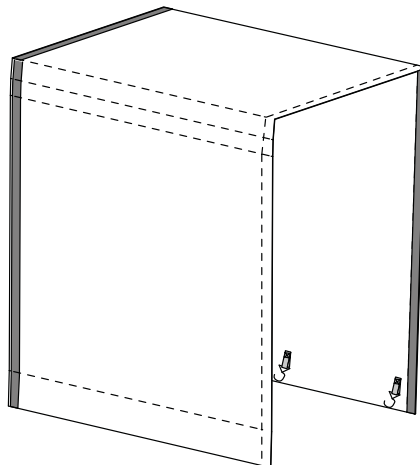
36" Performance Grill Cabinet Black Cover
SKU# 65888



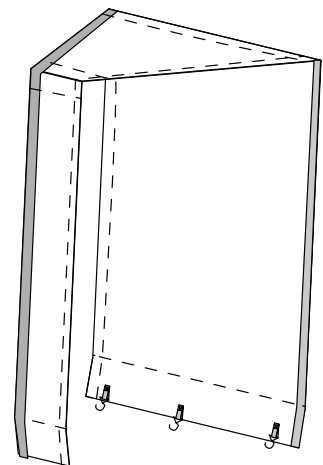
40" Performance Grill Cabinet Black Cover
SKU# 65889



28" Kamado Large Cabinet Black Cover
SKU# 65883

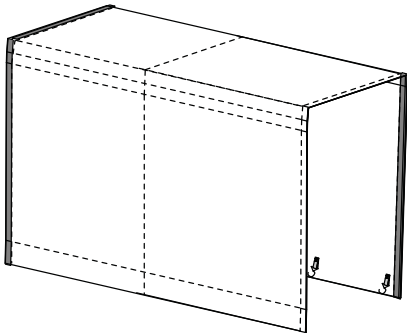


32" Black Cabinet Cover
SKU# 65870

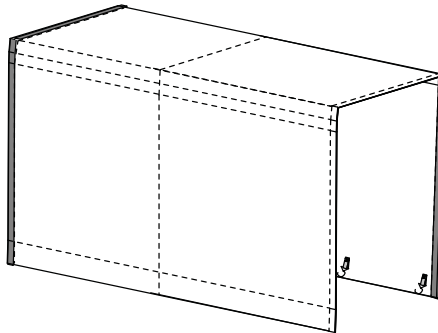


45" Black Cabinet Cover
SKU# 65875

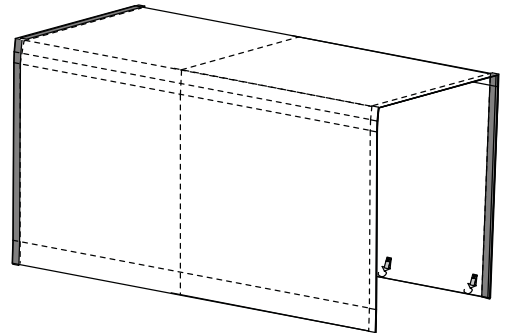
Installing the Cabinet Covers



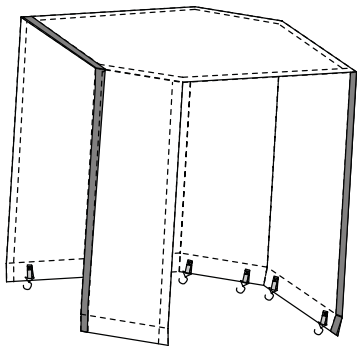
56" Black Cabinet Cover
SKU# 65871



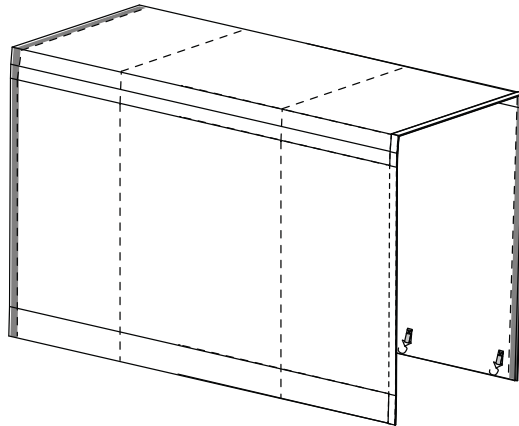
64" Black Cabinet Cover
SKU# 65872



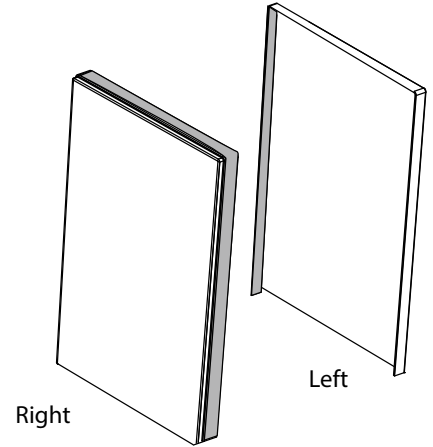
88" Black Cabinet Cover
SKU# 65873



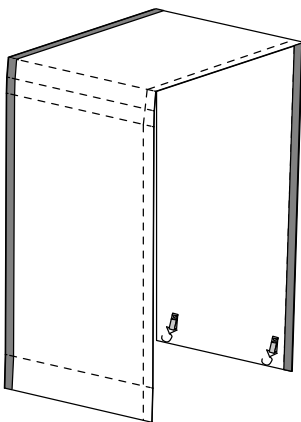
90° Corner Shelf Black Cover
SKU# 65876



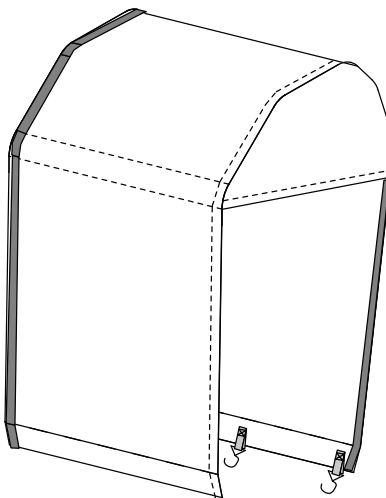
96" Black Cabinet Cover
SKU# 65874



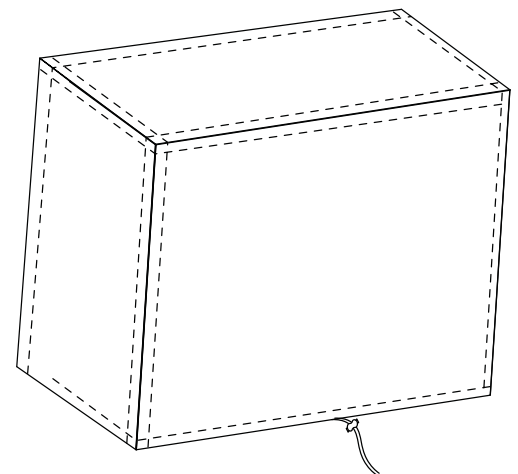
Right and Left Side Panels Black Cover
SKU# 65881



16" Black Cover
SKU# 65882



33" Built-in Pizza Oven Cabinet Black Cover
SKU# 65886



88" Black Cabinet Cover
SKU# 65880

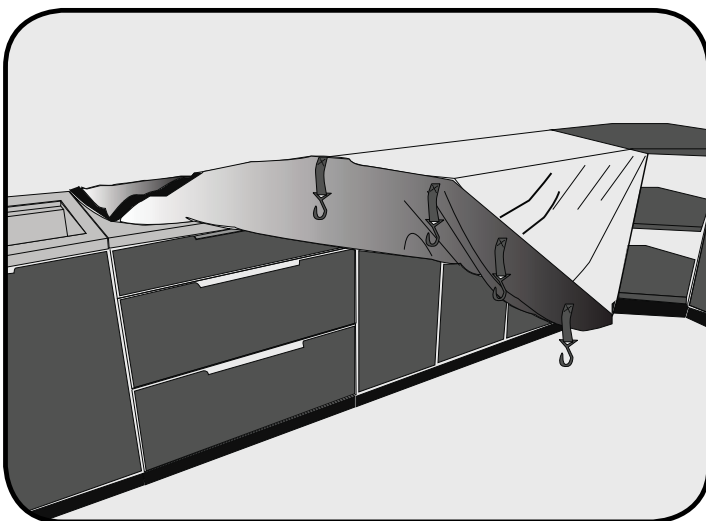
Installing the Cabinet Covers

Covers List

SKU	Description
65870	Classic Outdoor Kitchen Cabinets 32in Black Cabinet Cover
65871	Classic Outdoor Kitchen Cabinets 56in Black Cabinet Cover
65872	Classic Outdoor Kitchen Cabinets 64in Black Cabinet Cover
65873	Classic Outdoor Kitchen Cabinets 88in Black Cabinet Cover
65874	Classic Outdoor Kitchen Cabinets 96in Black Cabinet Cover
65875	Classic Outdoor Kitchen Cabinets 45 Degree Black Cover (pack of 2)
65876	Classic Outdoor Kitchen Cabinets 90 Degree Corner Shelf Black Cover
65877	Classic Outdoor Kitchen Cabinets 33in Platinum Grill Cabinet Black Cover
65878	Classic Outdoor Kitchen Cabinets 40in Platinum Grill Cabinet Black Cover
65881	Classic Outdoor Kitchen Cabinets Right and Left Side Panels Black Cover
65882	Classic Outdoor Kitchen Cabinets 16in Black Cover
65883	Classic Outdoor Kitchen Cabinets Kamado Large Cabinet Black Cover
65885	Classic Outdoor Kitchen Cabinets 36in Platinum Grill Cabinet Black Cover
65886	Classic Outdoor Kitchen Cabinets 33in Built-in Pizza Oven Cabinet Black Cover
65887	Classic Outdoor Kitchen Cabinets 33in Performance Grill Cabinet Black Cover
65888	Classic Outdoor Kitchen Cabinets 36in Performance Grill Cabinet Black Cover
65889	Classic Outdoor Kitchen Cabinets 40in Performance Grill Cabinet Black Cover

Cabinet Main Covers Installation

- 1 Remove cover from the poly bag. Lay cover on top of cabinet.



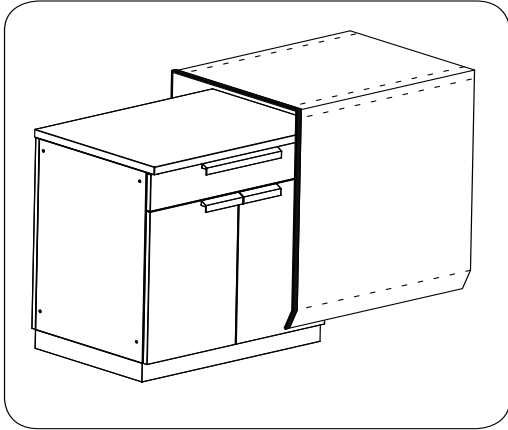
Warning : Dispose of Polybag Immediately

Do not leave children unattended near cabinets. For assistance, call 1.877.306.8930; e-mail at support@newageproducts.com

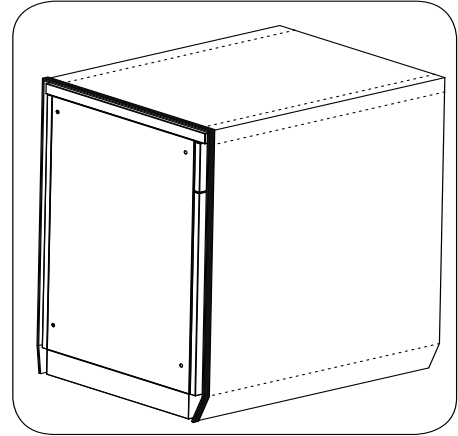
Installing the Cabinet Covers

Cabinet Main Covers Installation

- 2** Make sure that the velcro is on the left side of the cabinet.



- 3** Side cover to the left to align with side of cabinet.

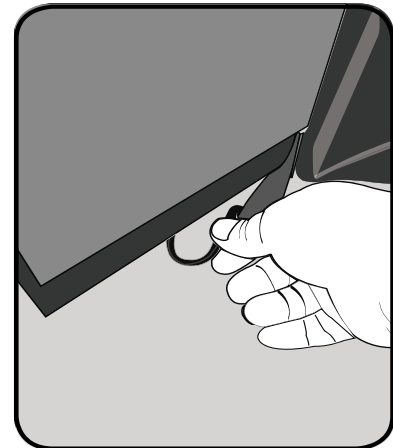


- i** **NOTE** : For Cabinets with BBQ Grills and Kamado installed.

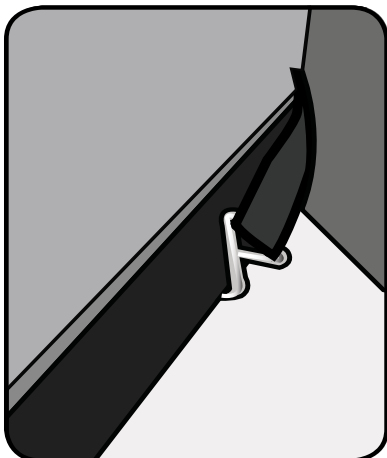


The cover shall not be used while the unit is in operation and shall not be installed until the unit has cooled.

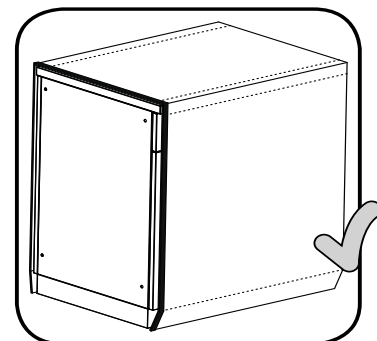
- 4** Locate the hooks on the front bottom flap. Pull down on hook by stretching elastic strap place hook under kick edge and rotate 90degrees to engage on kick frame.



- 5** Repeat this process for both of the hooks on the front and rear lower flaps.



- 6** Completed

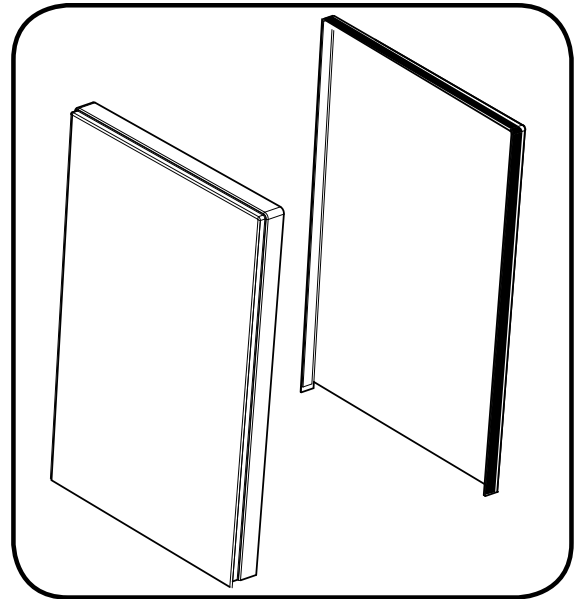


Installing the Cabinet Covers

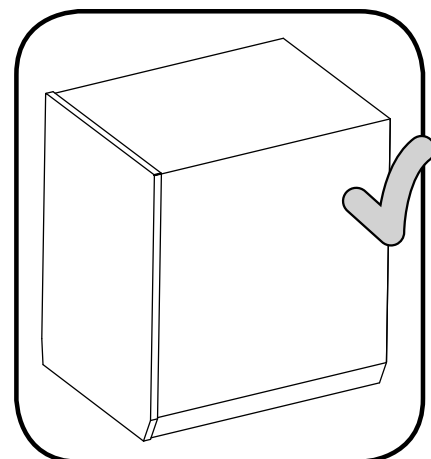
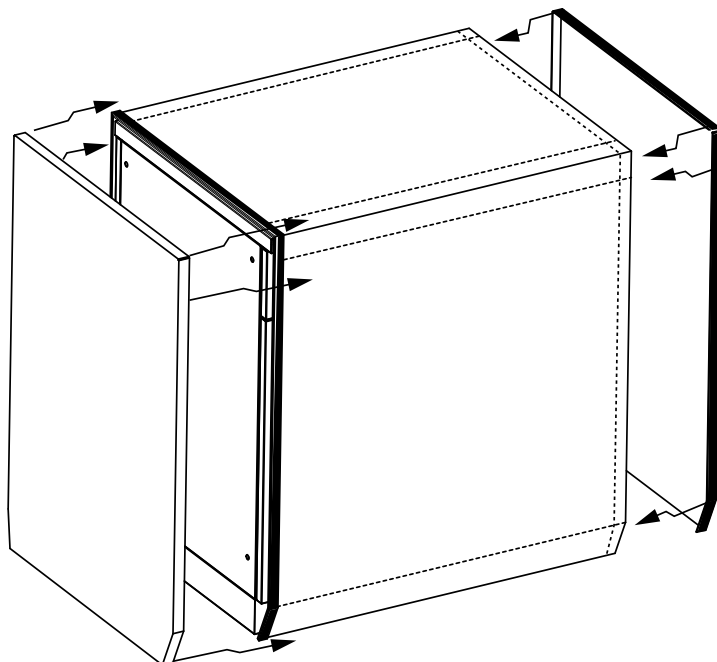
Cabinet Side Cover Panels- Installation

Remove Right and left side panel covers from the poly bag.

- 1** Locate Right Side panel - Loop tape above cover surface, on right side.
Locate Left Side panel - Hook tape on underside of panel, on left side.



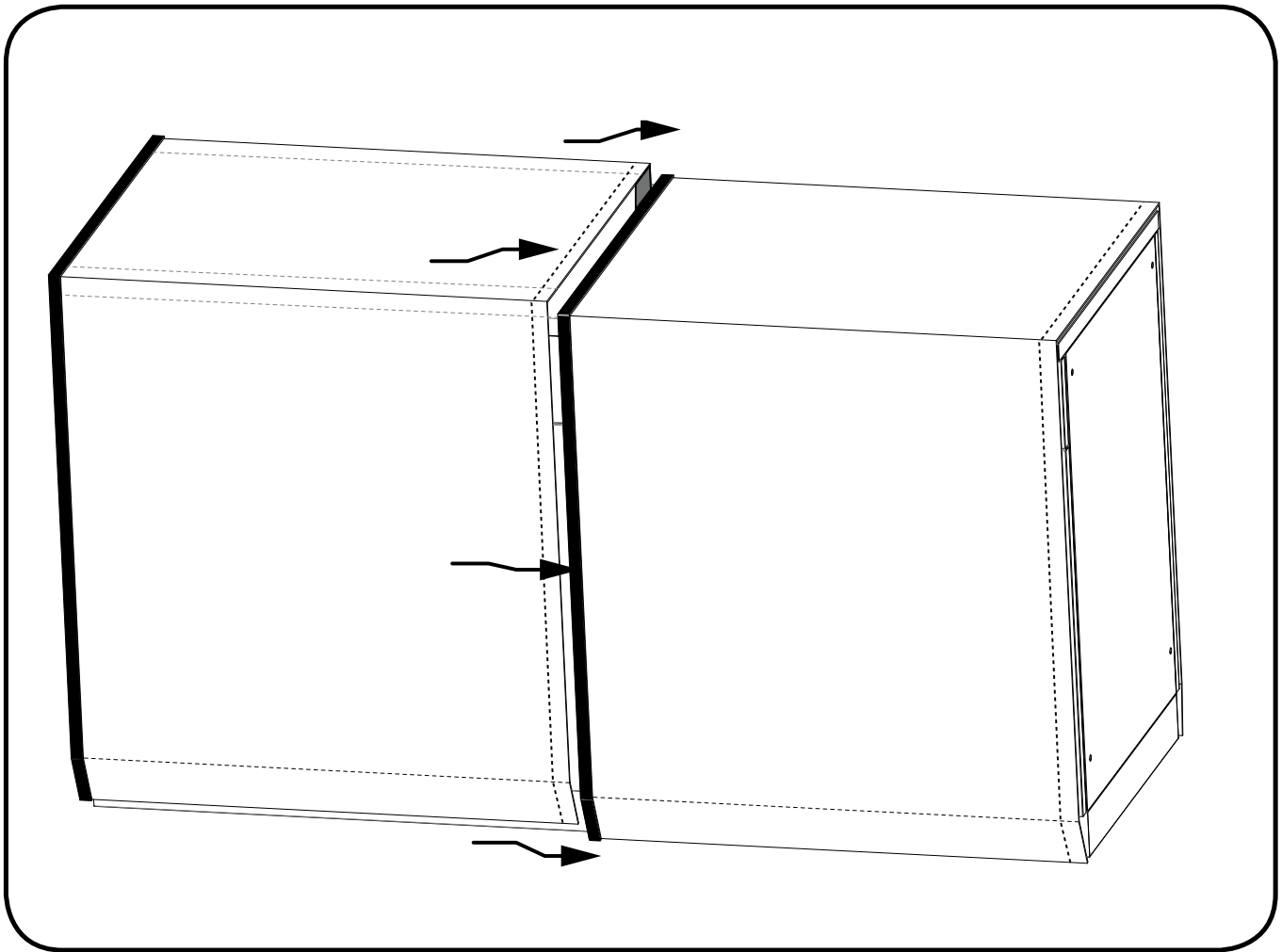
- 2** Align top band velcro hook of left side panel and right side panel to the main panel cover's velcro hook seam.



Installing the Cabinet Covers

Cabinet Connecting Panels- Installation

- 1** Overlay Velcro seam (hook) of left cabinet cover on top of right cabinet cover (loop) seam. Continue to attach Velcro seams together on front and back of covers.



Care and Maintenance

Outdoor Kitchen Cabinets & SS Countertops

Perform Regular Maintenance

1. Wash regularly with clean fresh water, mild detergent and a micro fiber cloth.
2. After washing rinse in clean water and wipe the surface dry with your cloth remembering to go with the grain on brushed stainless steel.
3. Generally you should wash your stainless steel every three months. Coastal areas or next to a chlorine pool more frequently every 2 weeks.
4. Do not use abrasive cleaners or a scouring pad of any type as they will cause excessive wear and dull the finish.
5. Stainless steel finishes in coastal environments may show tea staining if not washed regularly. We recommend Hopes "Perfect Stainless" as a cleaner with a microfiber cloth.
6. For better protection use a thin coating of protectant on the surface. We do not recommend using this coating for food prep areas.

List of common conditions that cause corrosion or discoloration of stainless steel and should be avoided:

1. Chloride containing cleansers – this includes bleach and any cleaners containing bleach
2. Muriatic acid (hydrochloric acid) – commonly used to clean up after tile/concrete installation
3. Concentrated soap residue – chemical additives will cause discoloration and some dried soaps actually look like rust
4. Water with high iron content – can leave a rusty residue, especially if allowed to drip continuously
5. Contact with iron materials – including steel wool, iron residue/dust from installation or cleaning of other steel products
6. Trapped moisture between the product and cover – rubber mats, metal cans or cleaner cans- Allow cabinets to completely dry before covering.
7. Salts – contain chlorides
8. Extreme Heat by Flame
9. Do not permit citrus or tomato juice to remain on stainless steel surfaces.
10. No abrasive cleaners, steel wool pads, or abrasive cloths as they will scratch the finish.

OXIDIZATION Removal

If you have oxidation there are a few steps to take to bring your stainless steel cabinets back to "as new" condition.

Apply clean water with a cleaning sponge and rub gently in the direction of the grain. If the mark won't shift, it may be necessary to use a stainless steel cleaner, in which case apply the cleaner and rub gently. After cleaning it is important to rinse the stainless steel with clean fresh water and buff with a soft cloth. Remember to always rub with the grain, NEVER across as you will ruin the finish, and the stainless can lose its shine. If you must use a scourer, use a plastic scrub pad with no metal content.

Care and Maintenance

Granite Countertops

The consumer is responsible for proper use and maintenance of the granite countertop, please see following points that should be followed for a countertop that will be last a long time.

Usage :

Do's :

- Use coasters for cups, glasses and bottles, especially alcohol or acidic beverages, as these have potential to stain granite stone.
- Use a hot pad for hot dishes, drinks and pots and pans. Hot pots and pans can stain/burn granite.

Do Not :

- Do not directly use the Granite top as a cutting surface, use a cutting board for chopping.
- Do not turn your countertop into a worktable or worktop, heavy objects dropped on the top can easily crack or damage the granite, and sharp objects may scratch the surface.
- Do not leave outside without covers if countertops are non-sealed.
- Do not leave mess on countertop as it can leave prints or stains over time.

Maintenance :

Do's :

- Use a mild solution of warm water and soap to remove dirt and grime.
- Use a soft cloth when cleaning surface.

Do Not :

- Do not use a brush or scouring pad or any other similar implement with rough surfaces.
- Don't use vinegar, bleach, ammonia, other general purpose cleaners, bathroom cleaners or tub and tile cleaners.
- Don't use abrasive cleaners such as dry cleansers or soft cleansers.
- Don't use alkaline cleaners not specifically formulated for stone.
- Don't use lemon juice, oils or acidic substances to clean the granite.
- Don't spill acidic substances like tomato sauce, coffee, or wine, on your countertop. Clean up spills immediately to minimize permanent damage to the granite.

Fabric Covers

Light Soil Removal

- Wash regularly with clean fresh water, mild detergent and a soft plastic bristle brush.
- After washing rinse with clean water and hang the covers to dry.
- Generally, you should wash your covers every 2 months. Coastal areas or next to a chlorine pool more frequently every 2 weeks.
- Do not use abrasive cleaners or a scouring pad of any type as they will cause excessive wear and abrade the finish of the covers.
- Covers in coastal environments may show white salt powder blotches if not washed regularly.

Spare Parts

Spare Part Description	Engineering Part Number	SKU# Stainless Steel	SKU# Aluminium Grey Glass	SKU# Stainless Steel Grove
Outdoor Kitchen Classic SS Door Set R/L 2-Door/ Sink	OKC1-07.004A-01, OKC1-07.005A-01	65015	-	-
Outdoor Kitchen Classic SS Door Set R/L 33" IGC	OKC1-05.004A-01, OKC1-05.005A-01	65016	-	-
Outdoor Kitchen Classic SS Door Set R/L BAR	OKC1-11.003A-01, OKC1-11.004A-01	65017	-	-
Outdoor Kitchen Classic SS Drawer Front - Top 3 Drawer/Bar	OKC1-09.002.01A-01	65018	-	-
Outdoor Kitchen Classic SS Drawer Front - BTM/MID 3 Drawer	OKC1-09.003.01A-01	65019	-	-
Outdoor Kitchen Classic SS 45 Degree Door (set of 2)	OKC1-03.003A-01	65020	-	-
Outdoor Kitchen Classic SS Drawer Organizer	OKC1-09.002.04A-01, OKC1-09.002.05A-01	65021	-	-
Outdoor Kitchen Classic SS Fold Down Faucet	H00097A-01	65022	-	-
Outdoor Kitchen Classic SS Drawer Handle	OKC1-09.004A-01	65024	-	-
Outdoor Kitchen Classic SS Door Handle	OKC1-03.003.04A-01	65025	-	-
Outdoor Kitchen Classic SS Hardware Pack - Cabinet Series	H00467A-01, H00402A-01, H00200A-01, H00210A-01	65026	-	-
Outdoor Kitchen Classic SS Shelf (2-Door)	OKC1-07.006A-01	65027	-	-
Outdoor Kitchen Classic SS Door Hinges (set of 4 + 24 screws)	H00206A-01	65028	-	-
Outdoor Kitchen Classic SS Hardware Pack- 45 Degree Cabinets	H00467A-01, H00465A-01, H00210A-01	65029	-	-
Outdoor Kitchen Classic SS Hardware Pack- 90 Degree Shelf	H00198A-01, H00200A-01, H00204A-01, H00199A-01	65030	-	-
Outdoor Kitchen Worktop Pan-head Screws (4-pack)	H00204A-01	65031	-	-
Outdoor Kitchen Braided SS Red/Blue band Sink water supply hoses	H00097.001A-01	65032	-	-
Outdoor Kitchen Classic SS 33" IGC Pull out tank tray	OKC1-05.006A-01-SS	65033	-	-
Outdoor Kitchen Classic SS Top Drawer (Bar Cabinet)	OKC1-09.002A-01	65035	-	-

Spare Part Description	Engineering Part Number	SKU#	SKU#	SKU#
		Stainless Steel	Aluminium Grey Glass	Stainless Steel Grove
Outdoor Kitchen Classic SS Top Drawer (3 Drawer Cabinet)	OKC1-09.002A-01	65036	-	-
Outdoor Kitchen Classic SS Top Drawer (Bar Cart)	OKC1-09.002A-01	65037	-	-
Outdoor Kitchen Classic SS Door Set R/L 40in IGC	OKC1-04.004A-01	65039	-	-
Outdoor Kitchen Classic SS Door for Side Burner Cabinet	OKC1-06.004A-01	65040	-	-
Outdoor Kitchen Classic SS Drawer Front - Kamado	OKC1-12.006.01A-01	65041	-	-
Outdoor Kitchen SS 33" BBQ Toe-kick	OKC1-05.002A-01-SS	65044	-	-
Outdoor Kitchen SS 40" BBQ Toe-kick	OKC1-04.002A-01-SS	65045	-	-
Outdoor Kitchen 32" Cabinet Sink	H00112A-01	65046		
Outdoor Kitchen Alum Grey Glass Door Set R/L 2-Door/ Sink	OKC1-35.001A.01, OKC1-35.002A.01	-	65215	-
Outdoor Kitchen Alum Grey Glass Door Set R/L 33" IGC	OKC1-32.002A-01, OKC1-32.001.05A-01	-	65216	-
Outdoor Kitchen Alum Grey Glass Door Set R/L BAR	OKC1-38.001A-01, OKC1-38.002A-01	-	65217	-
Outdoor Kitchen Alum Grey Glass Drawer Front - Top 3 Drawer/Bar	OKC1-36.001.01A-01	-	65218	-
Outdoor Kitchen Alum Grey Glass Drawer Front - BTM/MID 3 Drawer	OKC1-36.002.01A-01	-	65219	-
Outdoor Kitchen Alum Grey Glass 45 Degree Doors (set of 2)	OKC1-30.001A-01	-	65220	-
Outdoor Kitchen Alum Grey Shelf (2-Door)	OKC1-08.003A-01	-	65221	-
Outdoor Kitchen Alum Door Hinges (set of 4 + 24 screws)	H00206A-01	65222		
Outdoor Kitchen Drying Rack for Aluminium Sink	OKC1-08.006A-01	-	65223	-
Outdoor Kitchen Alum Grey Glass Door-Wall Cabinet	OKC1-40.001.01A-01	-	65224	-

Spare Part Description	Engineering Part Number	SKU# Stainless Steel	SKU# Aluminium Grey Glass	SKU# Stainless Steel Grove
Outdoor Kitchen Aluminum 33" IGC Pull out tank tray	OKC1-05.006A-01-GR	-	65233	-
Outdoor Kitchen Alum Grey Top Drawer (Bar Cabinet)	OKC1-36.001A-01	-	65235	-
Outdoor Kitchen Alum Grey Top Drawer (3 Drawer Cabinet)	OKC1-36.002A-01	-	65236	-
Outdoor Kitchen Alum Grey Glass Door Set R/L 40in IGC	OKC1-31.001A.01, OKC1-31.002A.01	-	65239	-
Outdoor Kitchen Alum Grey Glass Door for Side Burner Cabinet	OKC1-33.001A-01	-	65240	-
Outdoor Kitchen Alum Grey Glass Drawer Front - Kamado	OKC1-39.001.01A-01	-	65241	-
Outdoor Kitchen Alu Glass Door 33" BBQ Toekick	OKC1-32A-01-BK	-	65244	-
Outdoor Kitchen Alu Glass Door 40" BBQ Toekick	OKC1-20.001A-01-BK	-	65245	-
Outdoor Kitchen SS Grove Door Set R/L 2-Door/ Sink	OKC1-23.002A-01, OKC1-23.003A-01	-	-	65615
Outdoor Kitchen SS Grove Door Set R/L 33" IGC	OKC1-21.002A-01, OKC1-21.003A-01	-	-	65616
Outdoor Kitchen SS Grove Door Set R/L BAR	OKC1-27.001A-01, OKC1-27.002A-01	-	-	65617
Outdoor Kitchen SS Grove Drawer Front - Top 3 Drawer/Bar	OKC1-25.001.01A-01	-	-	65618
Outdoor Kitchen SS Grove Drawer Front - BTM/MID 3 Drawer	OKC1-25.002.01A-01	-	-	65619
Outdoor Kitchen SS Grove 45 Degree Door (set of 2)	OKC1-19.002A-01	-	-	65620
Outdoor Kitchen SS Grove Top Drawer (Bar Cabinet)	OKC1-25.001A-01	-	-	65635
Outdoor Kitchen SS Grove Top Drawer (3 Drawer Cabinet)	OKC1-25.001.01A-01	-	-	65636
Outdoor Kitchen SS Grove Door Set R/L 40in IGC	OKC1-20.002A-01, OKC1-20.003A-01	-	-	65639
Outdoor Kitchen SS Grove Door for Side Burner Cabinet	OKC1-22.002A-01	-	-	65640

Spare Part Description	Engineering Part Number	SKU# Stainless Steel	SKU# Aluminium Grey Glass	SKU# Stainless Steel Grove
Outdoor Kitchen SS Grove Drawer Front - Kamado	OKC1-28.002.01A-01	-	-	65641
Outdoor Kitchen SS Grove 33" BBQ Toekick	OKC1-21A-01-BK	-	-	65644
Outdoor Kitchen SS Grove 40" BBQ Toekick	OKC1-20.001A-01-BK	-	-	65645
Outdoor Kitchen SS Grove 13.75" Stainless Steel Handle	OKC1-25.003A-01	-	-	65646
Outdoor Kitchen SS Grove 7.25" Stainless Steel Handle	OKC1-19.003A-01			65647
Outdoor Kitchen Bar Cabinet Garnish Tray	H00242A-01	65840		
Outdoor Kitchen Wall Cabinet Gas Shock	H00246A-01	65841		
Outdoor Kitchen Bar Cabinet Ice Tray	OKC1-11.011A-01	65842		
Outdoor Kitchen Sink Cabinet Knife Holder	OKC1-08.005A-01	65843		
Outdoor Kitchen Shelf Clip	OKC1-07.007A-01	65844		
Outdoor Kitchen Floor Leveler	H00196A-01	65845		
Outdoor Kitchen 40" Insert Grill Cabinet Grill Inside Bracket	OKC1-04.011A-01	65846		
Outdoor Kitchen Insert Grill Cabinet Grill Bracket	OKC1-04.010A-01	65847		
Outdoor Kitchen Grey Garbage Can	H00241A-01	65860		
Outdoor Kitchen Drawer Slide set 14" (one pair + 12 screws) - Bar Cart Drawer		65862		
Outdoor Kitchen Drawer Slide set 16" (one pair + 12 screws) - Propane Tank Drawer	H00217A-01	65863		
Outdoor Kitchen Drawer Slide set 20" (one pair + 12 screws) 3 DRW / Bar Cab drawers	H00240A-01	65864		

Spare Part Description	Engineering Part Number	SKU#	SKU#	SKU#
		Stainless Steel	Aluminium Grey Glass	Stainless Steel Grove
Outdoor Kitchen Drawer Slide set 20" (one pair + 12 screws) - Ice Tray / Garbage Can on Bar Cabinet	H00233A-01	65865		
Outdoor Kitchen Insert Grill Cabini- net Filler Brackets	OKC1-04.013A-01, OKC1-04.014A-01, OKC1-04.015A-01	65890	65891	-
Outdoor Kitchen Cabinet Anti- Tipping Brackets	OKC1-09.006A-01	65892		
Classic Outdoor Kitchen Cabinets SS Grove 36in Grill Cabinet Toe kick	OKC1-55.002A-01-SS	-	-	65893
Classic Outdoor Kitchen Cabinets SS Alum 36in Grill Cabinet Toe kick	OKC1-55.002A-01-BK	65894		-
Classic Outdoor Kitchen Cabinets SS 36in Grill Cabinet Door set	OKC1-55.004A-01, OKC1-55.005A-01	65895	-	-
Classic Outdoor Kitchen Cabinets Grove 36in Grill Cabinet Door set	OKC1-56.001A-01, OKC1-56.002A-01	-	-	65896
Classic Outdoor Kitchen Cabinets Alum Grey Glass 36in Grill Cabinet Door set	OKC1 57.001A.01, OKC1 57.002A.01	-	65897	-
Outdoor Kitchen Classic Wine Rack	OKC1-11.010A-01	65968		
Outdoor Kitchen Classic SS 40" IGC Pull out tank tray	OKC1-04.009A-01 H00204A-01 H00215A-01	67800	-	-
IGC Fixed Shelf SS 40"(with 4 screws)	OKC1-04.012A-01 H00204A-01	67801	-	-
Outdoor Kitchen Classic SS 36" IGC Pull out tank tray (with 6 screws & 6 nuts)	OK2-129.005A-01 H00204A-01 H00215A-01	67802	-	-
IGC Fixed Shelf SS 36"(with 4 screws)	OKC1-55.006A-01 H00204A-01	67803	-	-
IGC Fixed Shelf SS 33"(with 4 screws)	OKC1-05.007A-01 H00204A-01	67804	-	-
Outdoor Kitchen Aluminum 40" IGC Pull out tank tray (with 6 screws & 6 nuts)	OKC1-04.009A-01 H00204A-01 H00215A-01	-	67805	-
IGC Fixed Shelf Alu 40" (with 4 screws)	OKC1-04.012A-01 H00204A-01	-	67806	-

Spare Part Description	Engineering Part Number	SKU#	SKU#	SKU#
		Stainless Steel	Aluminium Grey Glass	Stainless Steel Grove
Outdoor Kitchen Aluminum 36" IGC Pull out tank tray (with 6 screws & 6 nuts)	OK2-129.005A-01 H00204A-01 H00215A-01	-	67807	-
IGC Fixed Shelf Alu 36" (with 4 screws)	OKC1-55.006A-01 H00204A-01	-	67808	-
IGC Fixed Shelf Alu 33" (with 4 screws)	OKC1-05.007A-01 H00204A-01	-	67809	-
Outdoor Kitchen SS 16" IGC Pull out tank tray (with 6 screws & 6 nuts)	OKC1-06.005.01.01A-01 H00204A-01 H00215A-01	67810	-	-
Outdoor Kitchen Aluminum 16" IGC Pull out tank tray	OKC1-06.005.01.01A-01 H00204A-01 H00215A-01	-	67811	-
Mounting Bracket (with 1 screw)	OKC1-06.006A-01 H00204A-01	67812		
45deg Toe Kick	OKC1-19.001.01A-01	67814	67815	67813
Outdoor Kitchen Al Hardware Pack – Sink Cabinet Series	H00402A-01 H00200A-01 H00210A-01	-	67816	-
Corner Shelf-Toe kick SS	OKC1-02.001.01A-01-XX	67817	-	-
Outdoor Kitchen Classic Hardware Pack- Prep Table with Connection Plate	H00198A-01,H00201A-01, H00204A-01,H00466A-01, H00203A-01,H00204A-01, OKC1-01.004A-01, H00466A-01	67818		
Preparation table feet	H00191A-01	67820		
SS Grove 32in Toe Kick	OKC1-23.001A-01	-	-	67821
32in Toe Kick	OKC1-07.002A-01	67822	67823	-
Outdoor Kitchen Classic SS Shelf (Sink)	OKC1-08.003A-01	67824	-	-
Outdoor Kitchen Classic Hardware Pack- 3 Drawer Cabinet	H00467A-01,H00231A-01, H00198A-01,H00200A-01, H00210A-01,H00232A-01	67825	-	67825
Outdoor Kitchen Aluminum Hardware Pack- 3 Drawer Cabinet	H00231A-01,H00198A-01, H00200A-01,H00210A-01, H00232A-01	-	67826	-

Spare Part Description	Engineering Part Number	SKU# Stainless Steel	SKU# Aluminium Grey Glass	SKU# Stainless Steel Grove
Outdoor Kitchen Alum Drawer Organizer	OKC1-09.002.04A-01, OKC1-09.002.05A-01	-	67827	-
Outdoor Kitchen SS Grove Door-Wall Cabinet Door without handle & hinges	OKC1-29.001A-01	-	-	67828
Outdoor Kitchen SS Door-Wall Cabinet Door without handle & hinges	OKC1-13.003A-01	67829	-	-
OKC 1.0 32" Wall Cabinet Shelf	OKC1-13.004A-01	67830	67831	-
SS Grove 28in Toe Kick	OKC1-28.001A-01	-	-	67832
28in Toe Kick	OKC1-12.002A-01	67833	67834	-
Shelf for Kamado Cabinet	OKC1-12.004A-01	67835	67836	-
(1X) Worktop Fixing bracket (4x) M4x10mm mounting screws	OK1-15.003A-01	65225		

NEWAGE PRODUCTS INC. CLASSIC OUTDOOR KITCHEN CABINETS MANUFACTURER WARRANTY

PROOF OF PURCHASE IS REQUIRED TO OBTAIN WARRANTY SERVICE.

Please have the following information available when you call our customer service team:

- Name, address and telephone number
- Product Name / SKU Number
- A clear, detailed description of the problem
- Proof of purchase including order number

Register your NewAge Products purchase online for quicker customer assistance and access to exclusive benefits

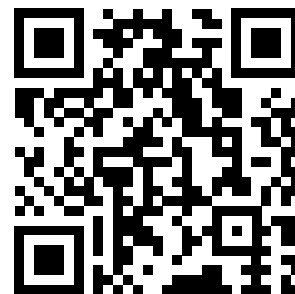
Visit www.newageproducts.com/register/

Warranty Claim

For warranty service please contact NewAge Products at **1-877-306-8930**; or support@newageproducts.com

Please review all warranty details below, prior to contacting NewAge Products for a claim.

Scan the QR code on the right to access our support page or visit www.newageproducts.com/contact-us/



Scan this QR code with the camera on your mobile device to visit the NewAge Products Support Hub
www.newageproducts.com/support-hub/

10 YEARS LIMITED WARRANTY

NewAge is proud to offer a 10 Years Limited Warranty from the date of purchase. This is subject to the limitations and disclaimers set forth below and other product documentations.

Length of warranty	Warranty covered items	Cost to NewAge	Cost to Customer
10 Years	Stainless Steel Cabinet Overall Structural Integrity	Materials	Shipping
2 Years	Drawer Slides, Door Hinges, Drawer & Door Handles	Materials	Shipping
3 Years	Product Finishes free from defects for initial customer	Materials	Shipping

WHAT IS COVERED

When this product is installed, operated and maintained according to the instructions attached to or furnished with the product, NewAge Products Inc. will replace the defective product or parts if the part fails as a result of defective materials or workmanship for the warranty duration from the purchase date of the product.

WHAT IS NOT COVERED

1. Service calls to correct the installation of any NewAge products or to instruct you how to use or install them.
2. Damage resulting from improper handling, or products damaged by accident, misuse, abuse, fire, flood, improper installation, acts of God, neglect, corrosion, modification or mishandling.
3. Products damaged by improperly loading beyond the specified maximum weight capacity outlined in the instructions provided with the product.
4. Repairs or replacement when your product is used in other than normal, single-family household use, such as a commercial environment, or handled in anyway inconsistent with the installation instructions included with the product.
5. Cosmetic damage, including scratches, dings, dents or cracks in paint that do not affect the structural or functional capability of the product.
6. Surfaces damaged due to chemical interaction resulting in corrosion of paint or metal.
7. Color discoloration due to UV or sunlight. Product may change color overtime under exposure of sunlight.
8. Replacement parts for NewAge products outside Canada and the United States.
9. Loss of product contents due to theft, fire, flood, accident or acts of God.
10. Any labor costs during the limited warranty period.

DISCLAIMER OF IMPLIED WARRANTIES

IMPLIED WARRANTIES, INCLUDING TO THE EXTENT APPLICABLE WARRANTIES OF MERCHANTABILITY OR FITNESS FOR A PARTICULAR PURPOSE, ARE EXCLUDED TO THE EXTENT LEGALLY PERMISSIBLE. ANY IMPLIED WARRANTIES THAT MAY BE IMPOSED BY LAW ARE LIMITED TO ONE YEAR, OR THE SHORTEST PERIOD ALLOWED BY LAW. THIS WARRANTY IS LIMITED TO THE ORIGINAL BUYER. Some states and provinces do not allow limitations on the duration of implied warranties of merchantability or fitness, so this limitation may not apply to you. This warranty gives you specific legal rights, and you also may have other rights that vary from state to state or province to province.

LIMITATION OF REMEDIES; EXCLUSION OF INCIDENTAL AND CONSEQUENTIAL DAMAGES

YOUR SOLE AND EXCLUSIVE REMEDY UNDER THIS LIMITED WARRANTY SHALL BE PRODUCT REPAIR OR REPLACEMENT AT OUR DISCRETION AS PROVIDED HEREIN. NEWAGE SHALL NOT BE LIABLE FOR INCIDENTAL OR CONSEQUENTIAL DAMAGES. Some states and provinces do not allow the exclusion or limitation of incidental or consequential damages, so these limitations and exclusions may not apply to you. This warranty gives you specific legal rights, and you also may have other rights that vary from state to state or province to province.

NEWAGE PRODUCTS INC. OUTDOOR COVERS

MANUFACTURER WARRANTY

PROOF OF PURCHASE IS REQUIRED TO OBTAIN WARRANTY SERVICE.

Please have the following information available when you call our customer service team:

- Name, address and telephone number
- Product Name / SKU Number
- A clear, detailed description of the problem
- Proof of purchase including order number

Register your NewAge Products purchase online for quicker customer assistance and access to exclusive benefits

Visit www.newageproducts.com/register/

Warranty Claim

For warranty service please contact NewAge Products at **1-877-306-8930**; or support@newageproducts.com

Please review all warranty details below, prior to contacting NewAge Products for a claim.

Scan the QR code on the right to access our support page or visit www.newageproducts.com/contact-us/



Scan this QR code with the camera on your mobile device to visit the NewAge Products Support Hub
www.newageproducts.com/support-hub/

ONE YEAR LIMITED WARRANTY

WHAT IS COVERED

When the granite countertop is installed, used and maintained according to the Use, Care and Maintenance of Granite Countertop section in the instructions attached to or furnished with the countertop, NewAge Products Inc. will replace the defective granite as a result of defective materials or workmanship for warranty duration from the purchase date of the product.

WHAT IS NOT COVERED

1. Service calls to correct the installation of any NewAge products or to instruct you how to use or install them.
2. Damage resulting from products caused by accident, misuse, abuse, fire, flood, improper installation, acts of God, neglect, modification or mishandling.
3. Products damaged by improperly loading beyond the specified maximum weight capacity outlined in the instructions provided with the product.
4. Repairs or replacement when your product is used in other than normal, residential use, such as a commercial environment, or handled in anyway inconsistent with the installation instructions included with the product.
5. Product damaged due to weather.
6. Color Discoloration due to UV or sunlight. Product may change color overtime under exposure of sunlight.
7. Replacement parts for NewAge products outside Canada and the United States.
8. Loss due to theft.
9. Damage resulting from use of the product contrary and not in accordance to the instruction manual.
10. Any labor costs during the warranty period.

DISCLAIMER OF IMPLIED WARRANTIES

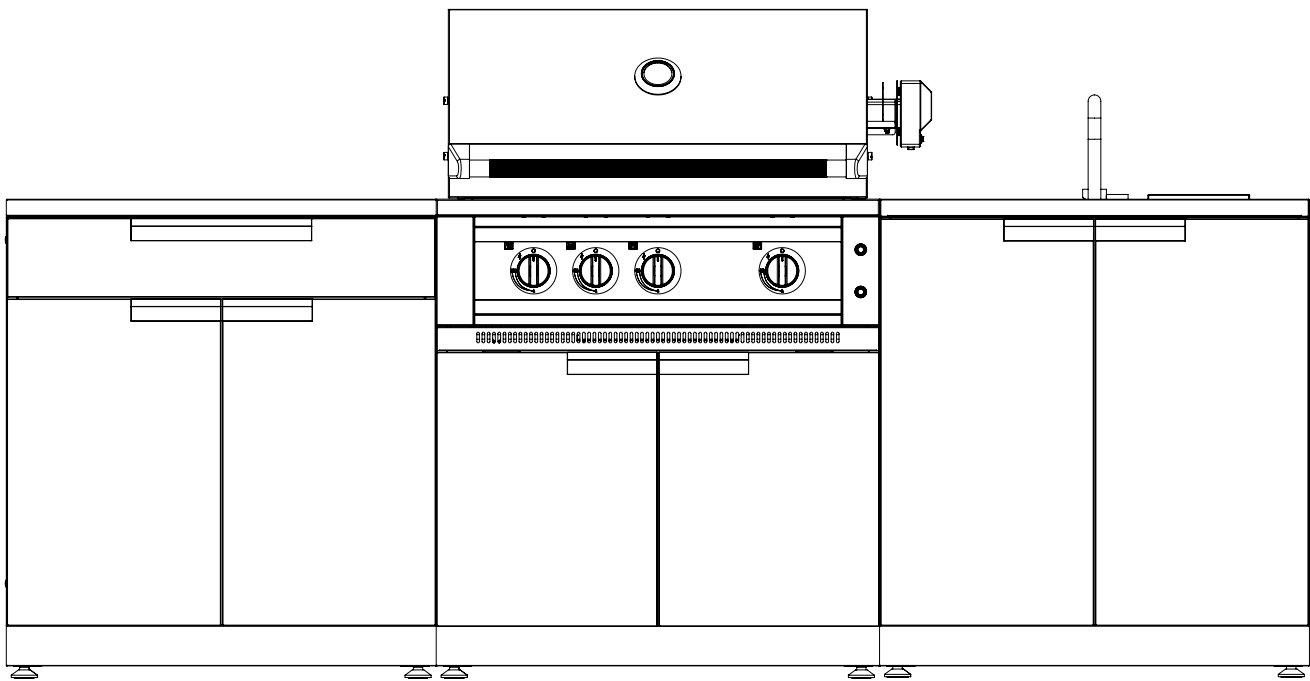
IMPLIED WARRANTIES, INCLUDING TO THE EXTENT APPLICABLE WARRANTIES OF MERCHANTABILITY OR FITNESS FOR A PARTICULAR PURPOSE, ARE EXCLUDED TO THE EXTENT LEGALLY PERMISSIBLE. ANY IMPLIED WARRANTIES THAT MAY BE IMPOSED BY LAW ARE LIMITED TO ONE YEAR, OR THE SHORTEST PERIOD ALLOWED BY LAW. THIS WARRANTY IS LIMITED TO THE ORIGINAL BUYER. Some states and provinces do not allow limitations on the duration of implied warranties of merchantability or fitness, so this limitation may not apply to you. This warranty gives you specific legal rights, and you also may have other rights that vary from state to state or province to province.

LIMITATION OF REMEDIES; EXCLUSION OF INCIDENTAL AND CONSEQUENTIAL DAMAGES

YOUR SOLE AND EXCLUSIVE REMEDY UNDER THIS LIMITED WARRANTY SHALL BE PRODUCT REPAIR OR REPLACEMENT AT OUR DISCRETION AS PROVIDED HEREIN. NEWAGE SHALL NOT BE LIABLE FOR INCIDENTAL OR CONSEQUENTIAL DAMAGES. Some states and provinces do not allow the exclusion or limitation of incidental or consequential damages, so these limitations and exclusions may not apply to you. This warranty gives you specific legal rights, and you also may have other rights that vary from state to state or province to province.

Armoires de cuisine extérieure Classique

GUIDE D'INSTALLATION PRINCIPAL



AVERTISSEMENT : Danger de charge excessive!



Pour éviter les blessures au dos, déplacez, assemblez et installez les armoires avec l'aide de deux personnes ou plus. Ne laissez pas d'enfants sans surveillance près des armoires. Risque élevé de basculement si les armoires sont installées incorrectement :

Pour obtenir de l'aide, composez le 1 877-306-8930; envoyez un courriel à info@newageproducts.com.



ATTENTION:

Votre armoire est-elle endommagée?

Vous avez besoin d'assistance ou de pièces de rechange?

Pour un service plus rapide, contactez NewAge Products au 1 877-306-8930 ou écrivez à support@newageproducts.com.

Ne retournez pas ce produit au détaillant.

Index

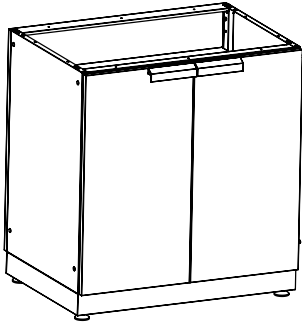
Déballage	4
Inspection du produit	4
Les armoires de cuisine extérieure Classique - L'acier inoxydable	5
Les armoires de cuisine extérieure Classique - Grove	6
Les armoires de cuisine extérieure Classique - Verre gris aluminium	7
Outils requis	8
Composants pour les armoires assemblées	9
Préparation de l'espace extérieur	16
Installation du support anti-basculement	19
Installation des armoires murales	21
Installation des pieds	23
Installation des poignées	24
Installation/Retrait des tiroirs	25
Préparation des armoires à évier	26
Assemblage du meuble d'angle à 90°	29
Création d'un angle de 90°	31
Création d'un angle de 45°	33
Fixation des armoires	35
Réglage des charnières de portes	36
Installation des comptoirs	37
Insertion des étagères de l'armoire	41
Installation du gril encastrable	42

Installation de barbecues personnalisés et du Supports	44
Installation du brûleur latéral NewAge	45
Installation du réservoir de propane	46
Préparation de l'armoire Kamado	47
Installation d'un Kamado puis au Cabinet	48
Installation des embouts d'armoire	49
Soins et entretien	55
Pièces de rechange	57
GARANTIE DU FABRICANT	64

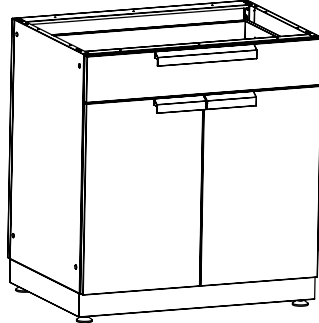


Les armoires de cuisine extérieure Classique

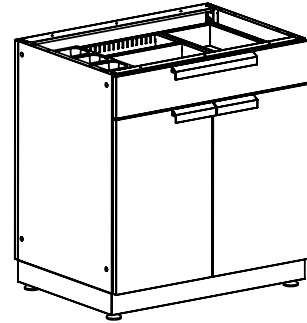
L'acier inoxydable



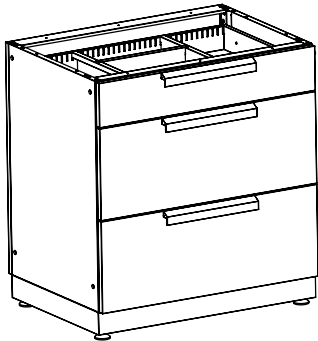
Armoire 2 portes 32po
SKU# 65000 | SKU# 70001



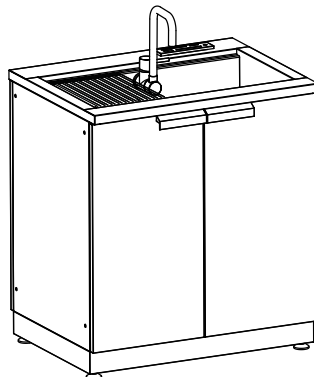
Armoire divisée 2 portes de 32 po
SKU# 65014 | SKU# 70004



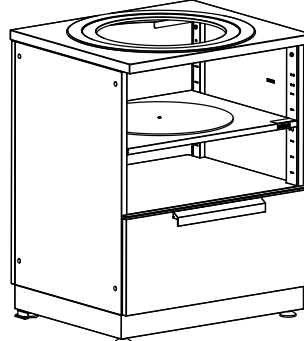
Armoire de bar 32po
SKU# 65003 | SKU# 70005



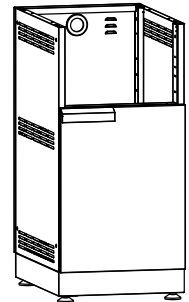
3 tiroirs 32po
SKU# 65002 | SKU# 70003



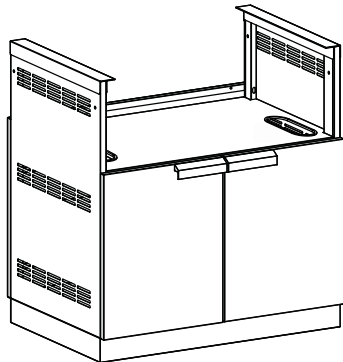
Armoire d'évier de 32 po
SKU# 65001 | SKU# 70002



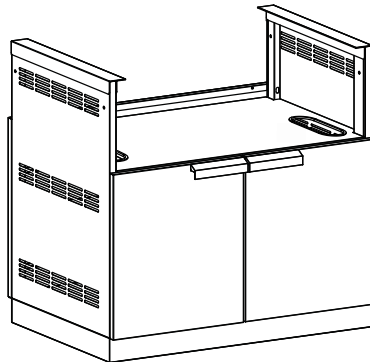
Armoire Kamado 28po
SKU# 65010 | SKU# 70006



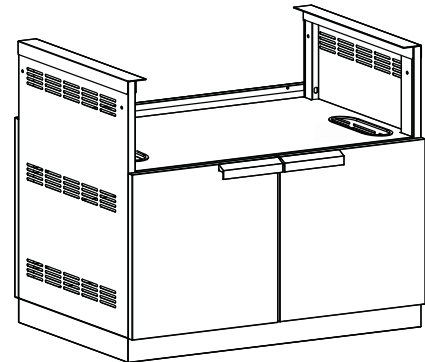
Armoire SB 16po
SKU# 65012 | SKU# 70000



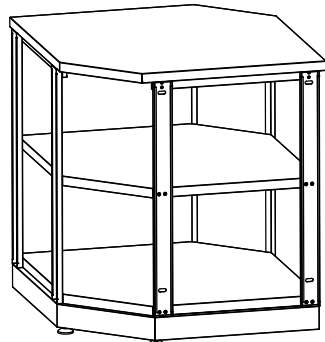
Armoire à grill encastrable de 33 po
SKU# 65047 | SKU# 70007



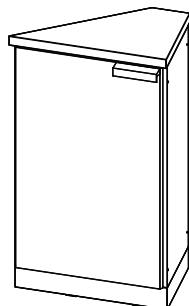
Armoire à grill encastrable de 36 po
SKU# 65048 | SKU# 70008



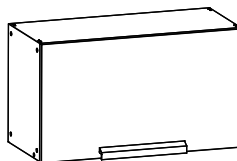
Armoire à grill encastrable de 40 po
SKU# 65049 | SKU# 70009



Étagère d'angle à 90°
SKU# 65006

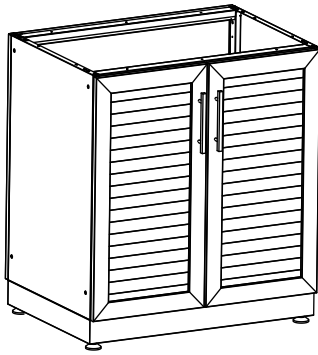


Étagère d'angle à 45°
SKU# 65005

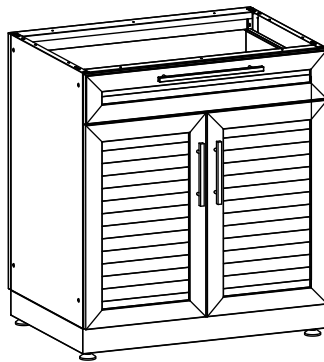


Armoire murale de 32 po
SKU# 65013

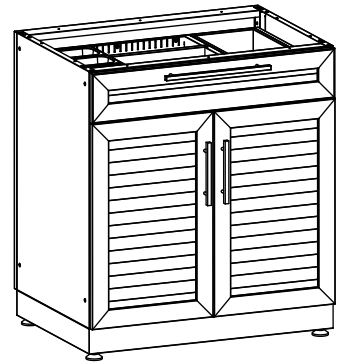
Grove



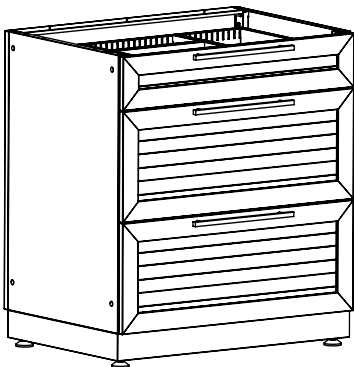
Armoire 2 portes 32po
SKU# 65600 | SKU# 70101



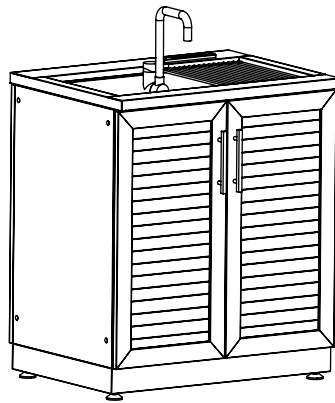
Armoire divisée 2 portes de 32 po
SKU# 65614 | SKU# 70104



Armoire de bar 32po
SKU# 65603 | SKU# 70105



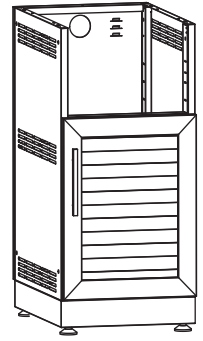
3 tiroirs 32po
SKU# 65602 | SKU# 70103



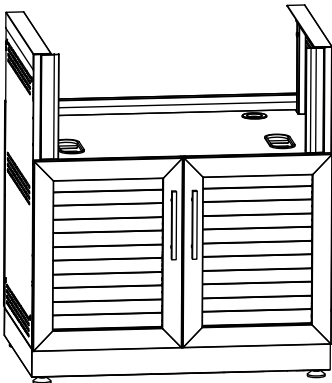
Armoire d'évier de 32 po
SKU# 65601 | SKU# 70102



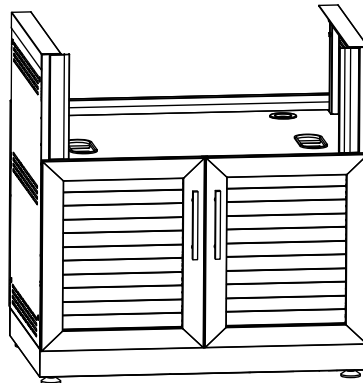
Armoire Kamado 28po
SKU# 65610 | SKU# 70106



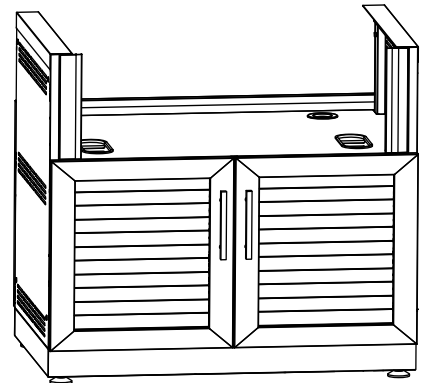
Armoire SB 16po
SKU# 65612 | SKU# 70100



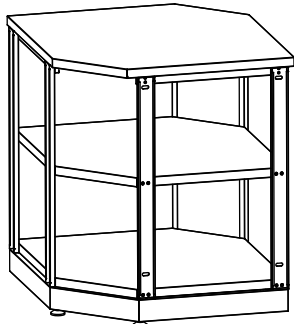
Armoire à grill encastrable de 33 po
SKU# 65630 | SKU# 70108



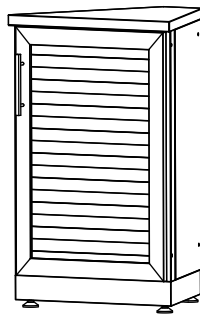
Armoire à grill encastrable de 36 po
SKU# 65631 | SKU# 70107



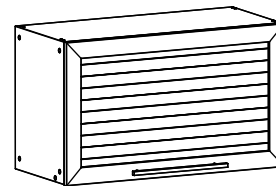
Armoire à grill encastrable de 40 po
SKU# 65632 | SKU# 70109



Étagère d'angle à 90°
SKU# 65606

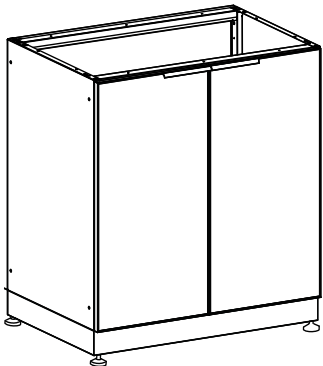


Étagère d'angle à 45°
SKU# 65605

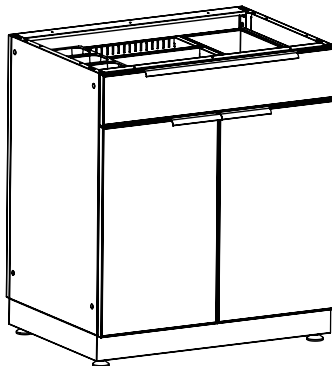


Armoire murale de 32 po
SKU# 65613

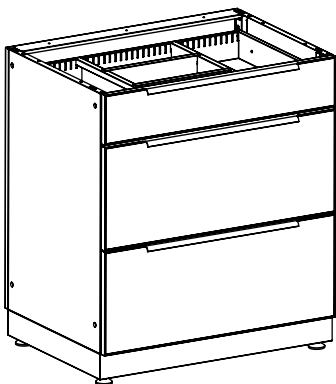
Verre gris aluminium



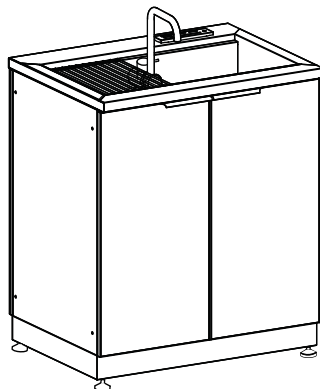
Armoire 2 portes 32po
SKU# 65200 | SKU# 70201



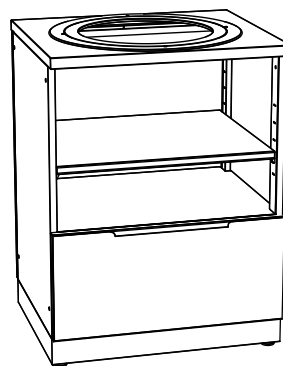
Armoire de bar 32po
SKU# 65203 | SKU# 70204



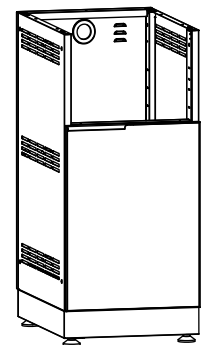
3 tiroirs 32po
SKU# 65202 | SKU# 70203



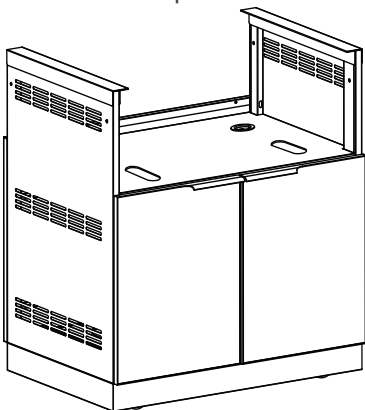
Armoire d'évier de 32 po
SKU# 65201 | SKU# 70202



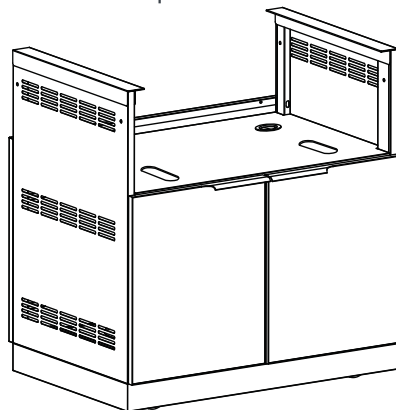
Armoire Kamado 28po
SKU# 65210 | SKU# 70205



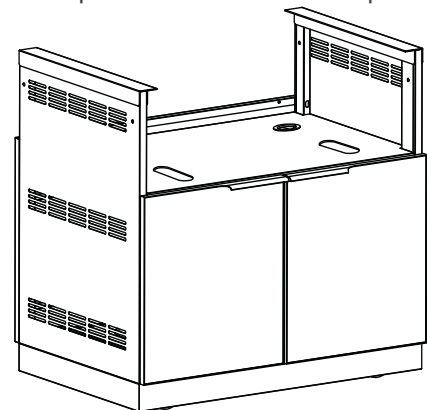
Armoire SB 16po
SKU# 65212 | SKU# 70200



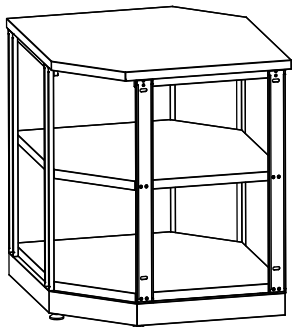
Armoire à grill encastrable de 33 po
SKU# 65230 | SKU# 70208



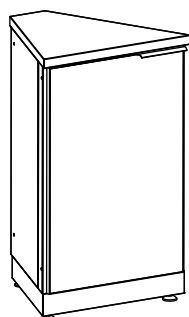
Armoire à grill encastrable de 36 po
SKU# 65231 | SKU# 70206



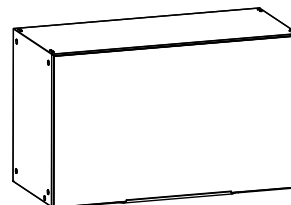
Armoire à grill encastrable de 40 po
SKU# 65232 | SKU# 70207



Étagère d'angle à 90°
SKU# 65206

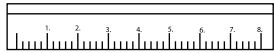


Étagère d'angle à 45°
SKU# 65205

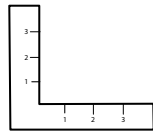


Armoire murale de 32 po
SKU# 65213

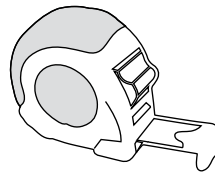
Outils requis



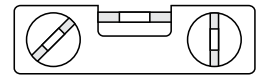
Bord droit



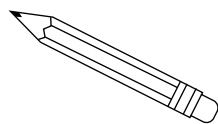
Équerre



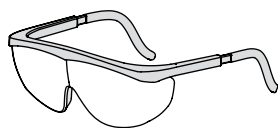
Mètre ruban



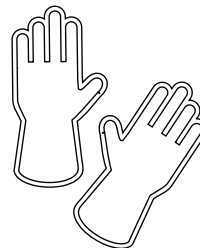
Leviers magnétiques



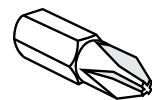
Crayon



Lunettes de protection



Des Gants



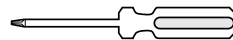
Embout Philips



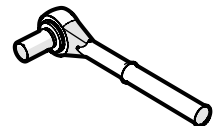
Clé à molette



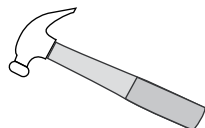
Clé à douille



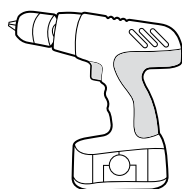
Tournevis cruciforme



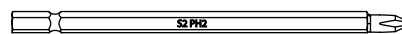
Clé à douille



Marteau



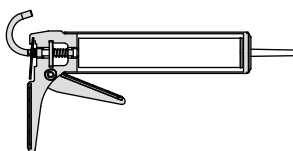
Perceuse électrique sans fil



Embout d'extension Philips #2 6"



Douille 7/16"



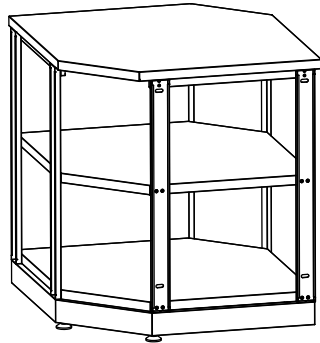
Pistolet à calfeutrer



100 % silicone (résistant à la moisissure)

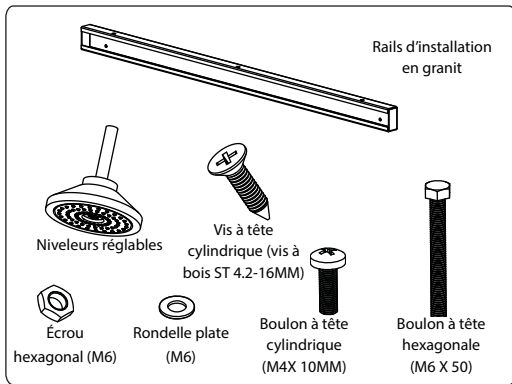
Composants pour les armoires assemblées

Armoire d'angle à 90°



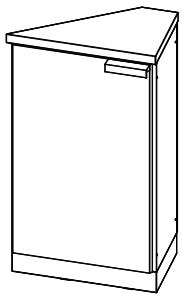
Armoire d'angle à 90°

SKU# 65006
SKU# 65606
SKU# 65206

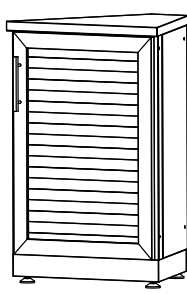


Composants	La Fonction	N° de pièce d'ingénierie	Qté
Cadre d'armoire sans porte	-		1
Boulon à tête hexagonale (M6 X 50)	Armoires de connexion	H00198A-01	4
Rondelle plate (M6)	Armoires de connexion	H00199A-01	8
Écrou hexagonal (M6)	Armoires de connexion	H00200A-01	4
Niveleurs réglables en hauteur	-	H00196A-01	4
Étagère d'armoire	-	OKC1-02.004.01A-01	1
Boulon à tête cylindrique (M4 X 10MM)	Connexion du comptoir en acier inoxydable et des supports verticaux	H00204A-01	44
Quincaillerie d'installation en granit en option			
Rails d'installation en granit	-	OKC1-02.005A-01	2
Vis à tête cylindrique (vis à bois ST 4.2-16MM)	-	H00400A-01	6

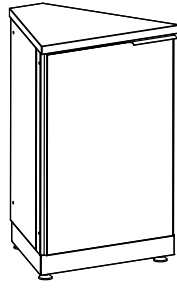
Armoire d'angle à 45°



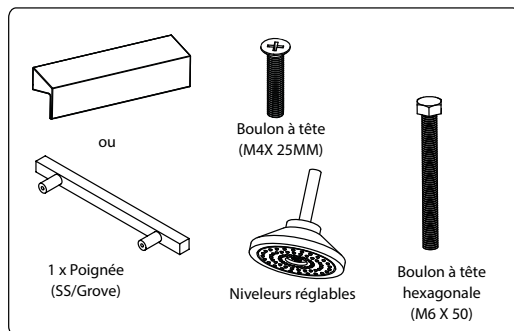
SKU# 65005



SKU# 65605



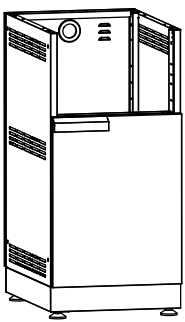
SKU# 65205



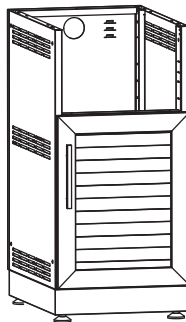
Composants	La Fonction	N° de pièce d'ingénierie	Qté
Cadre d'armoire avec porte	-		1
Boulon à tête hexagonale (M6 X 30)	Armoires de connexion	H00465A-01	16
Niveleurs réglables en hauteur	-	H00196A-01	8
Étagère d'armoire	-	OKC1-03.002.06A-01	2
Poignée	-	SS : OKC1-03.003.04A-01 Grove : OKC1-19.003A-01 Alum : NA	1
Boulon à tête (M4 x 25 mm)	Poignées de connexion	H00467A-01	2

Composants pour les armoires assemblées

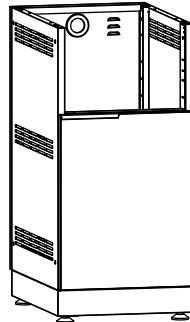
Armoire à brûleur latéral de 16 po



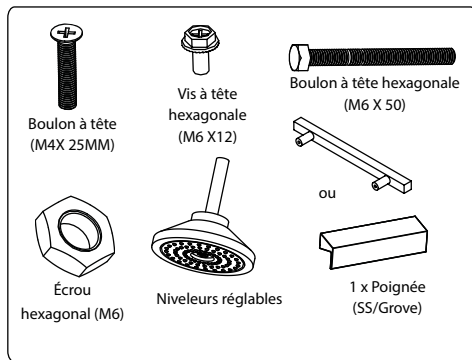
SKU# 65012
SKU# 70000



SKU# 65612
SKU# 70100

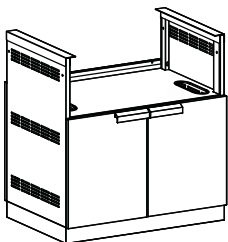


SKU# 65212
SKU# 70200

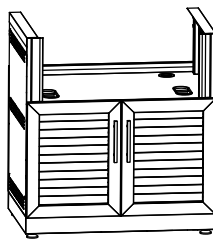


Composants	La Fonction	N° de pièce d'ingénierie	Qté
Cadre d'armoire avec porte	-		1
Boulon à tête hexagonale (M6 X 50)	Armoires de connexion	H00402A-01	4
Écrou hexagonal (M6)	Armoires de connexion	H00200A-01	4
Niveleurs réglables en hauteur	-	H00196A-01	4
Poignée	-	SS : OKC1-03.003.04A-01 Grove : OKC1-19.003A-01 Alum : NA	1
Boulon à tête (M4 x 25 mm) (Pour SS et Grove)	Armoires de connexion	H00467A-01	2

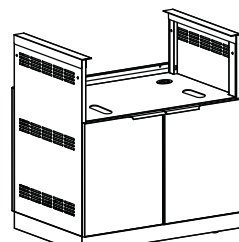
Armoire à grill encastrable de 33 po



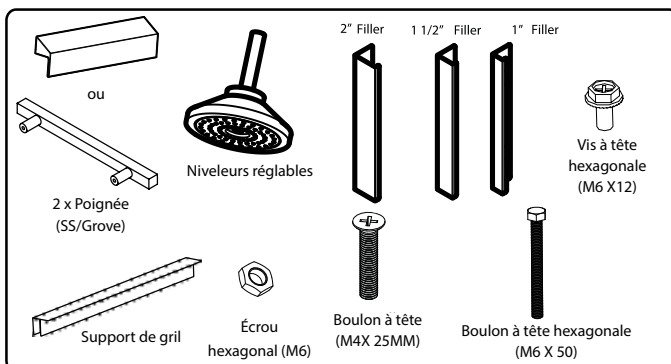
SKU# 65047
SKU# 70007



SKU# 65630
SKU# 70108



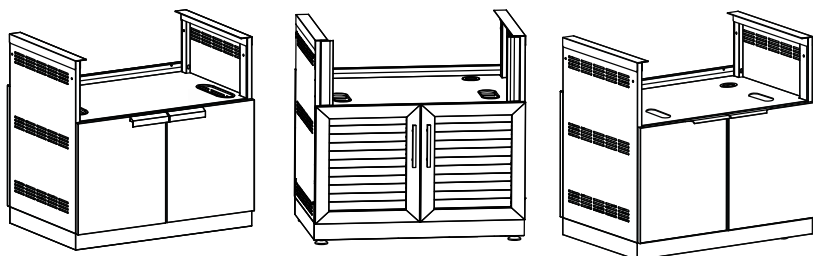
SKU# 65230
SKU# 70208



Composants	La Fonction	N° de pièce d'ingénierie	Qté
Cadre d'armoire avec porte	-		1
Boulon à tête hexagonale (M6 X 50)	Armoires de connexion	H00402A-01	4
Écrou hexagonal (M6)	Armoires de connexion	H00200A-01	4
Niveleurs réglables en hauteur	-	H00196A-01	4
Poignée)	-	SS : OKC1-03.003.04A-01 Grove : OKC1-19.003A-01 Alum : NA	2
Boulon à tête (M4 x 25 mm) (Pour SS et Grove)	Armoires de connexion	H00467A-01	4
Support de grill	-	OKC1-04.010A-01	2
Support intérieur du grill	-	OKC1-04.011A-01	2
Boulon hexagonal M6 x 12 mm	Armoires de connexion	H00201A-01	4
Supports de remplissage	-	OKC1-04.013A-01 OKC1-04.014A-01 OKC1-04.015A-01	6

Composants pour les armoires assemblées

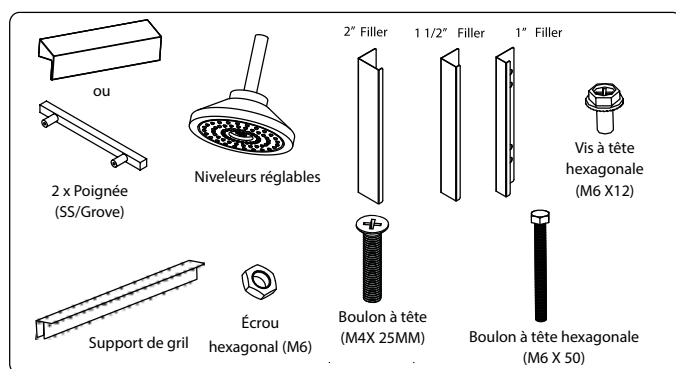
Armoire à grill encastrable de 36 po



SKU# 65048
SKU# 70008

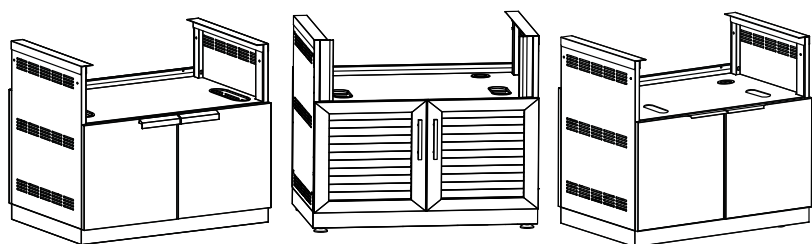
SKU# 65631
SKU# 70107

SKU# 65231
SKU# 70206



Composants	La Fonction	N° de pièce d'ingénierie	Qté
Cadre d'armoire avec porte	-		1
Boulon à tête hexagonale (M6 X 50)	Armoires de connexion	H00402A-01	4
Écrou hexagonal (M6)	Armoires de connexion	H00200A-01	4
Niveleurs réglables en hauteur	-	H00196A-01	4
Poignée	-	SS : OKC1-03.003.04A-01 Grove : OKC1-19.003A-01 Alum : NA	2
Boulon à tête (M4 x 25 mm) (Pour SS et Grove)	Armoires de connexion	H00467A-01	4
Support de grill	-	OKC1-04.010A-01	2
Support intérieur du grill	-	OKC1-04.011A-01	2
Boulon hexagonal M6 x 12 mm	Armoires de connexion	H00201A-01	4
Supports de remplissage	-	OKC1-04.013A-01 OKC1-04.014A-01 OKC1-04.015A-01	6

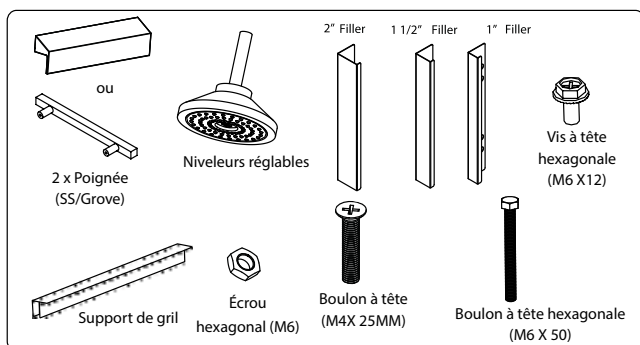
Armoire à grill encastrable de 40 po



SKU# 65049
SKU# 70009

SKU# 65632
SKU# 70109

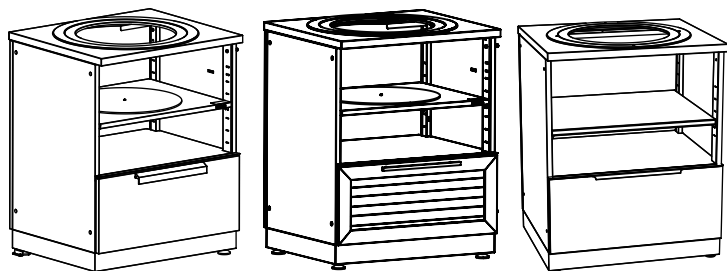
SKU# 65232
SKU# 70207



Composants	La Fonction	N° de pièce d'ingénierie	Qté
Cadre d'armoire avec porte	-		1
Hex Head Bolt (M6 X 50)	Armoires de connexion	H00402A-01	4
Hex Nut (M6)	Armoires de connexion	H00200A-01	4
Height-Adjustable Levelers	-	H00196A-01	4
Poignée	-	SS : OKC1-03.003.04A-01 Grove : OKC1-19.003A-01 Alum : NA	2
Boulon à tête (M4 x 25 mm) (Pour SS et Grove)	Armoires de connexion	H00467A-01	4
Support de grill	-	OKC1-04.010A-01	2
Support intérieur du grill	-	OKC1-04.011A-01	2
Boulon hexagonal M6 x 12 mm	Armoires de connexion	H00201A-01	4
Supports de remplissage	-	OKC1-04.013A-01 OKC1-04.014A-01 OKC1-04.015A-01	6

Composants pour les armoires assemblées

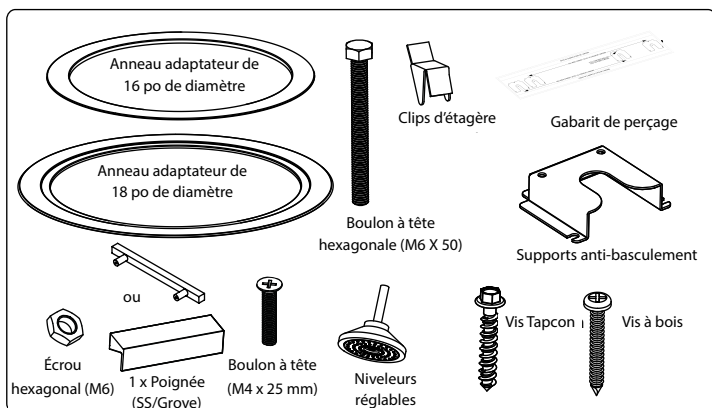
Armoire Kamado 28 po



SKU# 65010
SKU# 70006

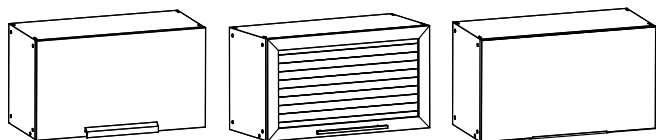
SKU# 65610
SKU# 70106

SKU# 65210
SKU# 70205



Composants	La Fonction	N° de pièce d'ingénierie	Qté
Cadre d'armoire avec porte	-		1
Boulon à tête hexagonale (M6 X 50)	Armoires de connexion	H00198A-01	4
Écrou hexagonal (M6)	Armoires de connexion	H00200A-01	4
Niveleurs réglables	-	H00196A-01	4
Poignée	-	SS : OKC1-09.004A-01 Grove : OKC1-25.003A-01 Alum : NA	1
Boulon à tête (M4 x 25 mm) (Pour SS et Grove)	Armoires de connexion	H00467A-01	2
Clips d'étagère	Pour étagère	OKC1-07.007A-01	4
Étagère	-	OKC1-12.004.01A-01	1
Anneau adaptateur de 18 po de diamètre	-	OKC1-12.009A-01	1
Anneau adaptateur de 16 po de diamètre	-	OKC1-12.008A-01	1
Gabarit de perçage		OKC1-09.007A-01	1
Les vis à bois	Pour supports anti-basculement	H00232A-01	6
Vis Tapcon	Pour supports anti-basculement	H00231A-01	6
Supports anti-basculement	Pour supports anti-basculement	OKC1-09.006A-01	2

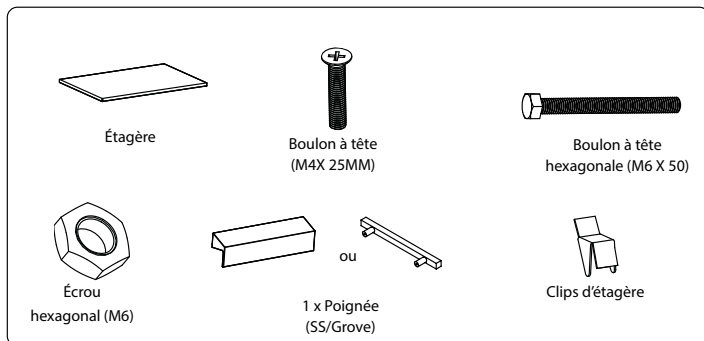
Armoire murale de 32 po



SKU# 65013

SKU# 65613

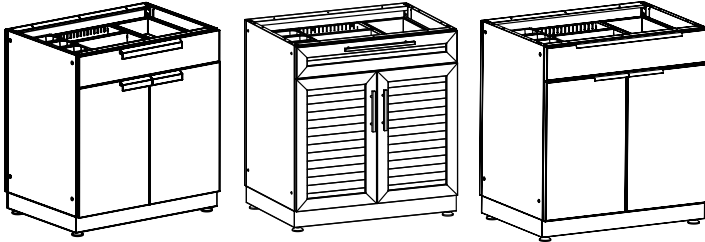
SKU# 65213



Composants	La Fonction	N° de pièce d'ingénierie	Qté
Cadre d'armoire avec porte	-		1
Boulon à tête hexagonale (M6 X 50)	Armoires de connexion	H00198A-01	4
Écrou hexagonal (M6)	Armoires de connexion	H00200A-01	4
Poignée	-	SS : OKC1-09.004A-01 Grove : OKC1-25.003A-01 Alum : NA	2
Boulon à tête (M4 x 25 mm) (Pour SS et Grove)	Armoires de connexion	H00467A-01	2
Clips d'étagère	Pour étagère	OKC1-07.007A-01	4
Étagère	-	OKC1-13.004.01A-01	1

Composants pour les armoires assemblées

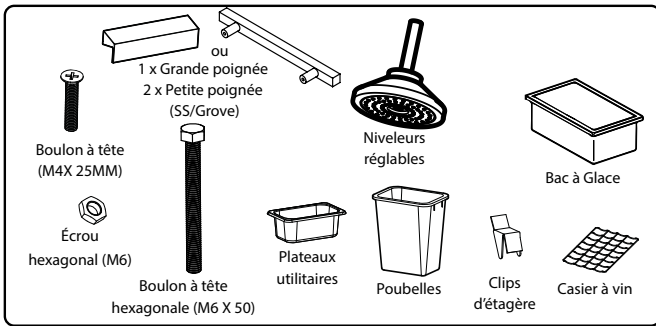
Armoire de bar 32 po



SKU# 65003
SKU# 70005

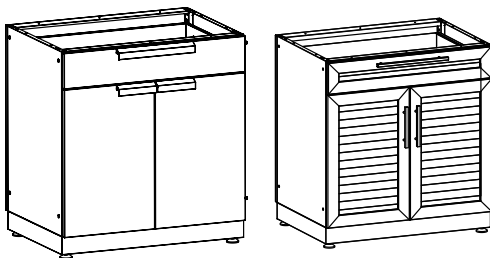
SKU# 65603
SKU# 70105

SKU# 65203
SKU# 70204



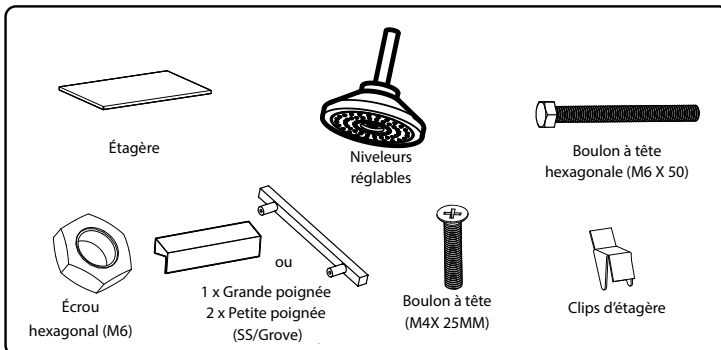
Composants	La Fonction	N° de pièce d'ingénierie	Qté
Cadre d'armoire avec porte	-		1
Boulon à tête hexagonale (M6 X 50)	Armoires de connexion	H00198A-01	4
Écrou hexagonal (M6)	Armoires de connexion	H00200A-01	4
Niveleurs réglables	-	H00196A-01	4
Petite poignée	-	SS : OKC1-03.003.04A-01 Grove : OKC1-19.003A-01 Alum : NA	2
Grande poignée	-	SS : OKC1-09.004A-01 Grove : OKC1-25.003A-01 Alum : NA	1
Boulon à tête (M4 x 25 mm) (Pour SS et Grove)	Poignées de connexion	H00467A-01	6
Clips d'étagère	Pour étagère	OKC1-07.007A-01	4
Étagère	-	OKC1-11.005A-01	1
Casier à vin	-	OKC1-11.010A-01	1
Bac à Glace	-	OKC1-11.011A-01	1
Plateaux utilitaires	-	H00242A-01	4
Poubelles	-	H00241A-01	2

Armoire à deux portes de 32 po



SKU# 65014
SKU# 70004

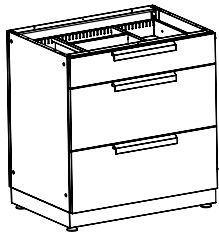
SKU# 65614
SKU# 70104



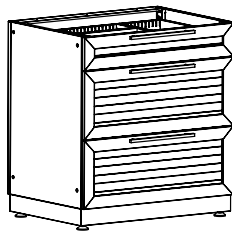
Composants	La Fonction	N° de pièce d'ingénierie	Qté
Cadre d'armoire avec porte	-		1
Boulon à tête hexagonale (M6 X 50)	Armoires de connexion	H00198A-01	4
Écrou hexagonal (M6)	Armoires de connexion	H00200A-01	4
Niveleurs réglables	-	H00196A-01	4
Petite poignée	-	SS : OKC1-03.003.04A-01 Grove : OKC1-19.003A-01	2
Grande poignée	-	SS : OKC1-09.004A-01 Grove : OKC1-25.003A-01	1
Boulon à tête (M4 x 25 mm) (Pour SS et Grove)	Poignées de connexion	H00467A-01	6
Clips d'étagère	Pour étagère	OKC1-07.007A-01	8
Étagère	-	OKC1-07.006A-01	2

Composants pour les armoires assemblées

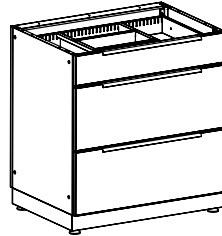
Armoire à 3 tiroirs de 32 po



SKU# 65002
SKU# 70003

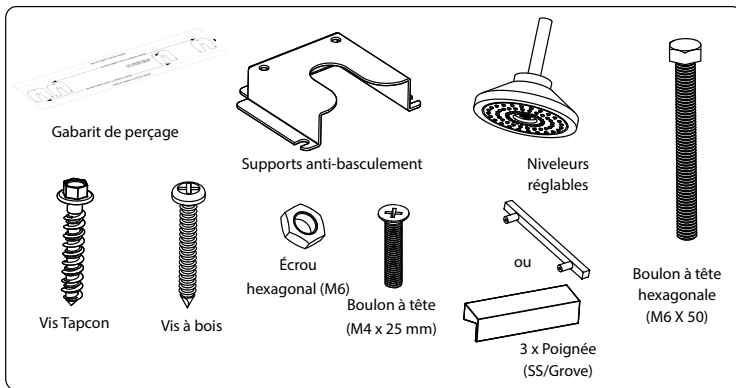


SKU# 65602
SKU# 70103

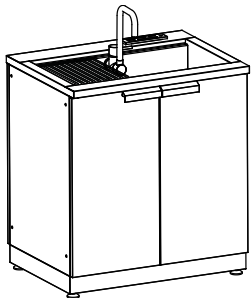


SKU# 65202
SKU# 70203

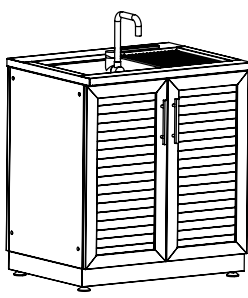
Composants	La Fonction	N° de pièce d'ingénierie	Qté
Cadre d'armoire avec porte	-		1
Boulon à tête hexagonale (M6 X 50)	Armoires de connexion	H00198A-01	4
Écrou hexagonal (M6)	Armoires de connexion	H00200A-01	4
Niveleurs réglables	-	H00196A-01	4
Poignée	-	SS : OKC1-09.004A-01 Grove : OKC1-25.003A-01 Alum : NA	3
Boulon à tête (M4 x 25 mm) (Pour SS et Grove)	Armoires de connexion	H00467A-01	6
Gabarit de perçage	Pour supports anti-basculement	OKC1-09.007A-01	1
Les vis à bois	Pour supports anti-basculement	H00232A-01	6
Vis Tapcon	Pour supports anti-basculement	H00231A-01	6
Supports anti-basculement	-	OKC1-09.006A-01	2



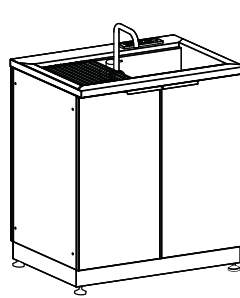
Évier 2 portes 32 po



SKU# 65001
SKU# 70002

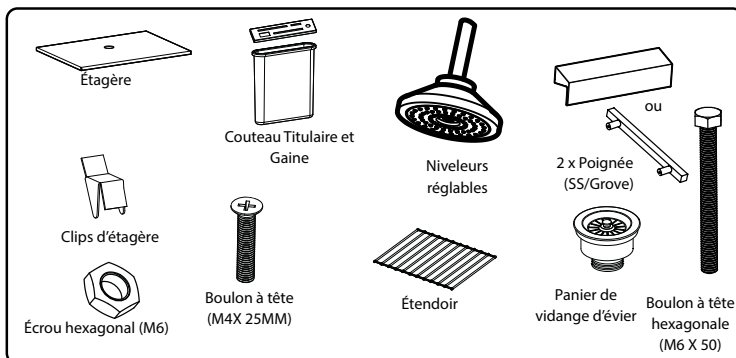


SKU# 65601
SKU# 70102



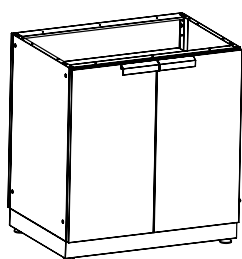
SKU# 65201
SKU# 70202

Composants	La Fonction	N° de pièce d'ingénierie	Qté
Cadre d'armoire avec porte	-		1
Boulon à tête hexagonale (M6 X 50)	Armoires de connexion	H00198A-01	4
Écrou hexagonal (M6)	Armoires de connexion	H00200A-01	4
Niveleurs réglables	-	H00196A-01	4
Poignée	-	SS : OKC1-03.003.04A-01 Grove : OKC1-19.003A-01 Alum : NA	2
Boulon à tête (M4 x 25 mm) (Pour SS et Grove)	Armoires de connexion	H00467A-01	4
Clips d'étagère	Pour étagère	OKC1-07.007A-01	4
Étagère	-	OKC1-08.003A-01	1
Couteau Titulaire et Gaine	-	OKC1-08.005A-01	1
Étendoir	-	OKC1-08.006A-01	1
Panier de vidange d'évier	-	-	1

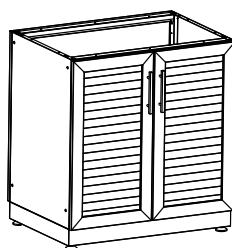


Composants pour les armoires assemblées

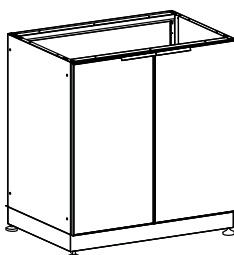
Armoire à 2 portes de 32 po



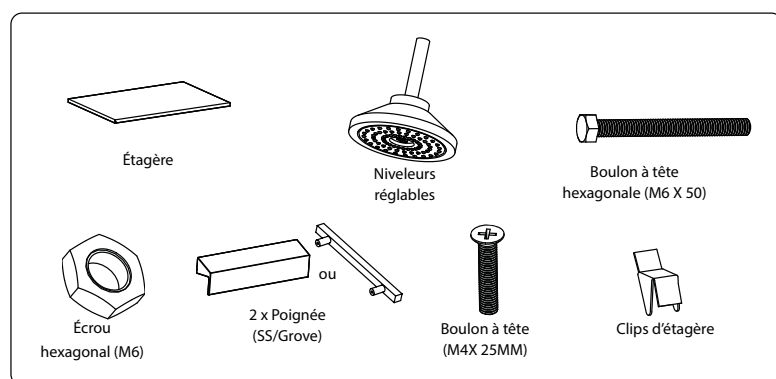
SKU# 65000
SKU# 70001



SKU# 65600
SKU# 70101



SKU# 65200
SKU# 70201



Composants	La Fonction	N° de pièce d'ingénierie	Qté
Cadre d'armoire avec porte	-		1
Boulon à tête hexagonale (M6 X 50)	Armoires de connexion	H00198A-01	4
Écrou hexagonal (M6)	Armoires de connexion	H00200A-01	4
Niveleurs réglables	-	H00196A-01	4
Poignée	-	SS : OKC1-03.003.04A-01 Grove : OKC1-19.003A-01 Alum : NA	2
Boulon à tête (M4 x 25 mm) (Pour SS et Grove)	Armoires de connexion	H00467A-01	4
Clips d'étagère	Pour étagère	OKC1-07.007A-01	8
Étagère	-	OKC1-07.006A-01	2

Préparation de l'espace extérieur



ATTENTION: NewAge recommande d'utiliser un installateur de cuisines professionnel pour préparer et installer les armoires de cuisine.



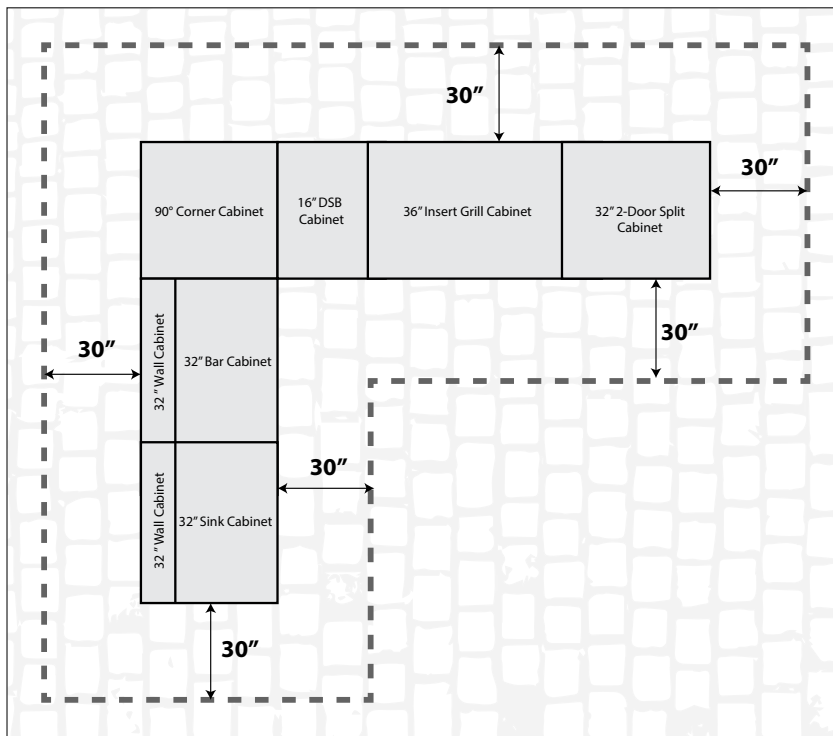
REMARQUE : Si vous n'êtes pas familier ou certain de la manière de traiter les raccordements aux services publics, faites en sorte qu'un professionnel qualifié se charge de ces tâches.

Avant de commencer

- Coupez toutes les conduites d'eau, d'électricité ou d'autres services publics.
- Enlevez les armoires et les appareils existants. Pendant que l'installation est en cours, il est préférable de les déplacer hors de l'espace extérieur pour faciliter l'accès à l'espace de travail.
- Assurez-vous d'avoir une surface plane et nivelée pour installer votre cuisine extérieure Classique.
- Grâce à leurs pattes de mise à niveau ajustables, les armoires de cuisine extérieure Classique peuvent être installées sur n'importe quelle terrasse plate, sur du béton ou sur une surface pavée, mais la surface doit être nivelée pour une installation correcte.

ÉTAPE 1 : TROUVER LE MEILLEUR EMPLACEMENT ET COMPRENDRE VOS BESOINS

- La première étape de l'installation d'une cuisine extérieure consiste à effectuer une étude du site.
- Déterminez la surface que vous pouvez consacrer à votre cuisine extérieure et mesurez la superficie de la zone proposée.
- Assurez-vous que l'emplacement prévu est proche des services publics accessibles et qu'il offre un chemin clair vers votre cuisine intérieure.
- Nous recommandons un espace de 30 po autour de vos armoires de cuisine pour vous assurer que vous avez suffisamment d'espace pour préparer les aliments, cuisiner, servir et recevoir.



REMARQUE : Si vous souhaitez conserver la vue que vous avez actuellement sur l'extérieur de votre maison, veillez à positionner votre espace cuisine extérieure de manière à ce que la vue ne soit pas bloquée. Faire des croquis de votre aménagement sur du papier millimétré vous aidera à visualiser l'emplacement des objets, puis à déterminer ce dont vous aurez besoin.

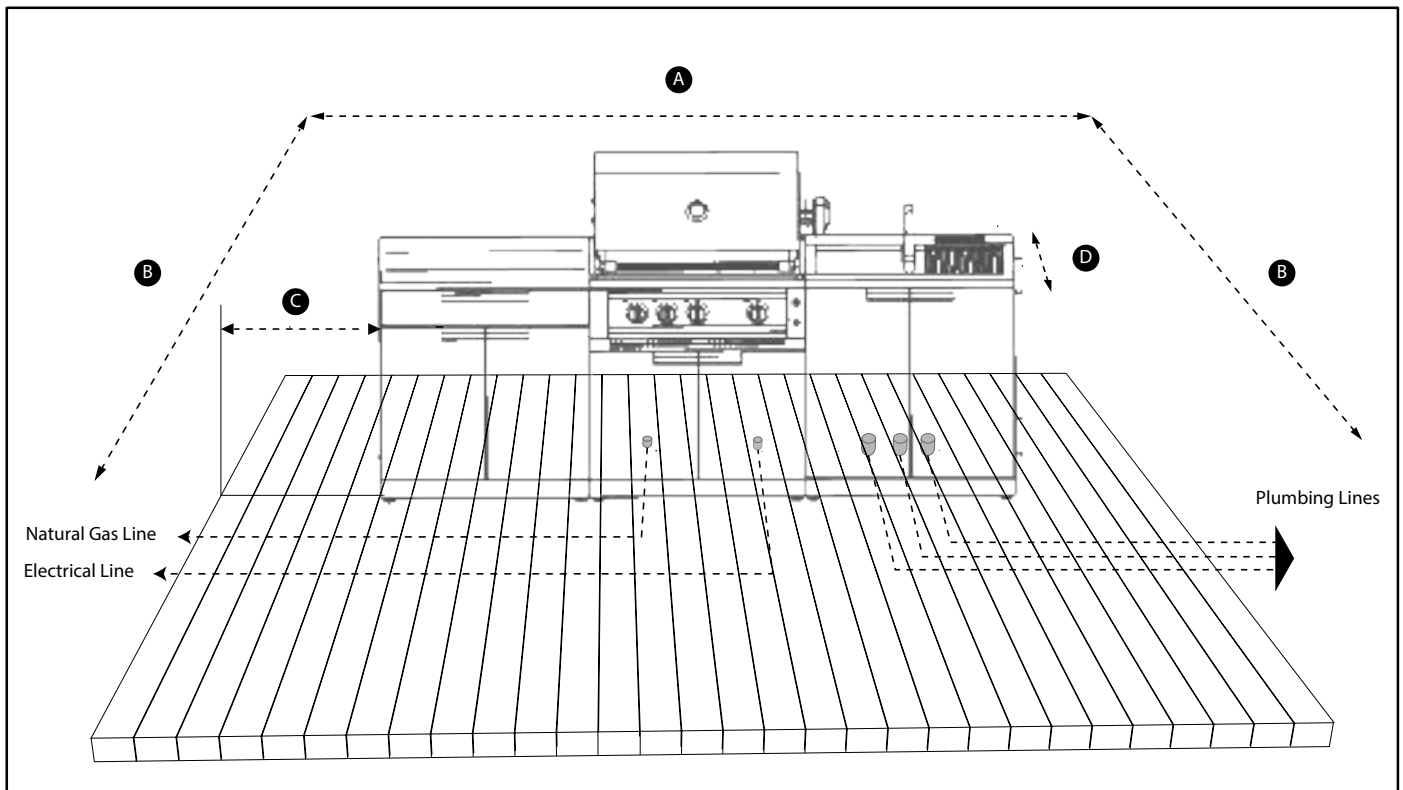
Préparation de l'espace extérieur

ÉTAPE 2 : COMMENT UTILISER VOTRE ESPACE

- Déterminez l'emplacement idéal pour les appareils électroménagers et les autres éléments du meuble dans la configuration de la cuisine extérieure
- Déterminez le nombre d'électroménagers à inclure, ainsi que les besoins en matière de rangement et les caractéristiques supplémentaires comme le service des consommations.

Mesure et marquage de l'espace

- Utilisez maintenant un galon à mesurer et notez les éléments suivants pour vous aider à installer l'ensemble d'armoires.
- **A. Largeur de l'espace extérieur à utiliser.**
- **B. Profondeur de l'espace extérieur à utiliser**
- **C. Distance entre le bord de la plateforme et le côté de l'armoire (30 po ou plus)**
- **D. Distance entre le bord de la plateforme et l'arrière des armoires (30 po ou plus)**
- Il est recommandé de monter les conduites de plomberie, de gaz naturel et d'électricité à partir du bas ou d'arrière des armoires, comme indiqué ci-dessous, avant d'assembler les ensembles d'armoires.



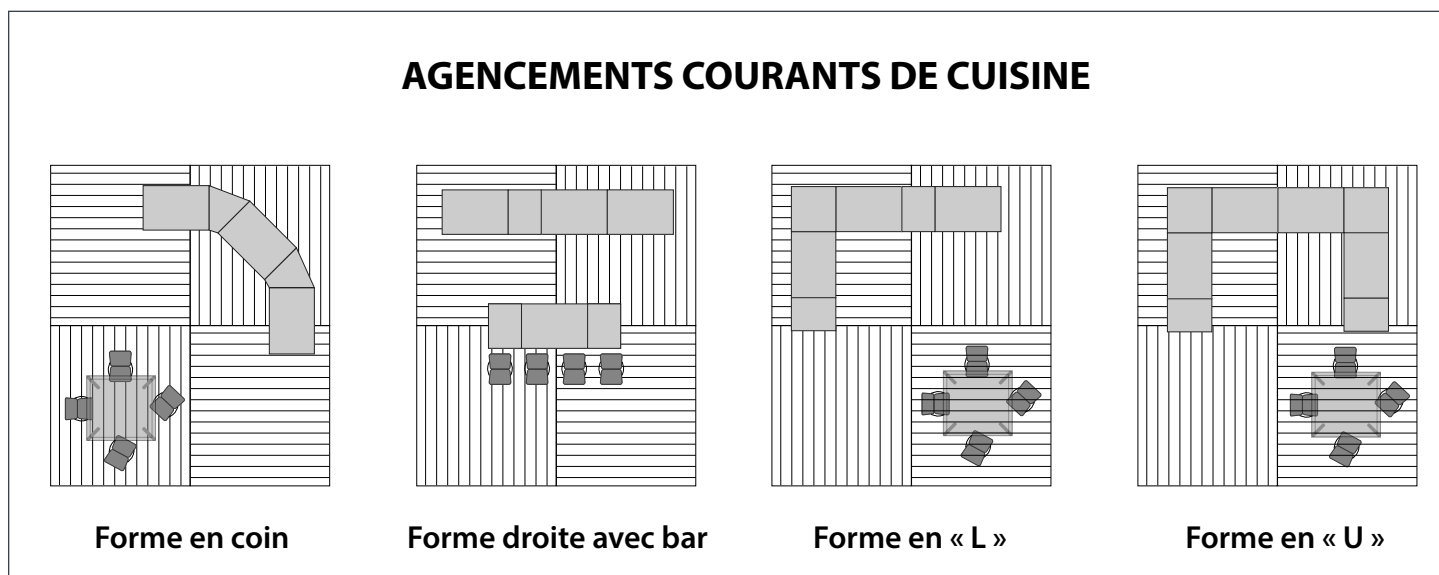
REMARQUE : Pour connaître l'emplacement exact des trous d'accès de la plomberie dans les armoires à évier et des trous de passage du gaz et de l'électricité dans les armoires d'appareils, reportez-vous aux sections relatives à chaque armoire dans le manuel.

Préparation de l'espace extérieur

ÉTAPE 3 : COMMENT CONCEVOIR VOTRE CUISINE EXTÉRIÈRE

- Une fois que vous avez choisi les électroménagers que vous souhaitez installer dans votre cuisine extérieure, il est temps de réfléchir à la manière dont chaque électroménager et chaque armoire s'intégrera dans le schéma de conception général - quel espace prévoir pour chacun d'eux et comment ils s'intégreront les uns aux autres.
- Vous avez peut-être entendu parler de la règle du « triangle d'or » pour la conception d'une cuisine. La conception d'une cuisine extérieure ne fait pas exception. La proximité de l'évier, du gril et du poste de préparation est essentielle pour une préparation et un service efficaces des aliments.

Préparer votre espace extérieur en fonction de la configuration de vos armoires.



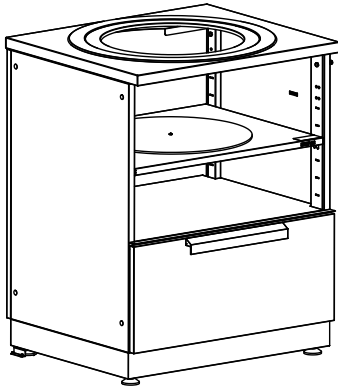
- Lorsque vous préparez la configuration de vos armoires, assurez-vous que la plomberie, le gaz et les canalisations électriques sont posés conformément aux certifications régionales et assurez-vous que cela est fait avec l'aide d'un professionnel.
- Une fois que vous avez finalisé la disposition des armoires, assemblez-les en suivant les instructions détaillées données dans les pages suivantes afin de garantir un processus sans heurts tout au long de l'activité.
- Les armoires doivent être installées sur une surface nivelée. Les pattes de mise à niveau sont fournies pour permettre des ajustements entre les points hauts et bas des installations, mais ne sont pas destinées à être installées sur une surface non plane.
- Prenez note de l'accès existant au gaz/électricité/plomberie par rapport à l'installation prévue.
- Prenez note des trous d'accès existants sur les armoires pour faciliter l'installation.

Installation du support anti-basculement

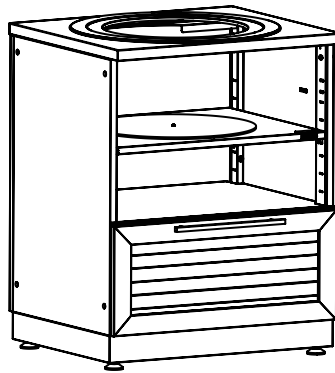
Assurez-vous que la zone est nivelée et installez le support anti-basculement

REMARQUE: Les instructions suivantes s'appliquent aux armoires ci-dessous

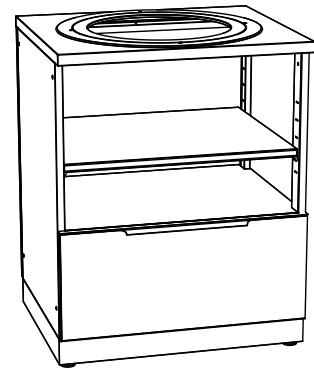
28" Kamado Cabinet



SKU# 65010
SKU# 70006

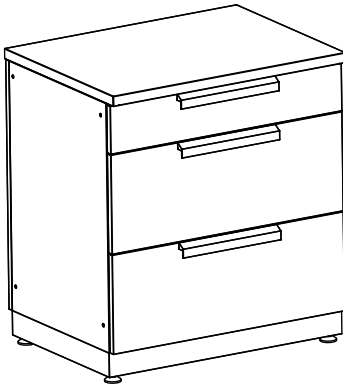


SKU# 65610
SKU# 70106

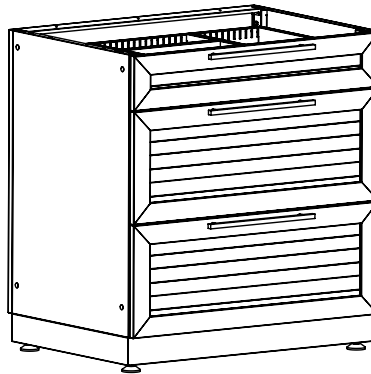


SKU# 65210
SKU# 70205

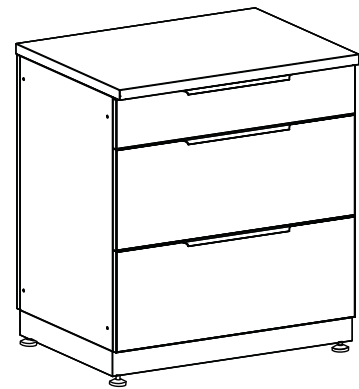
32" 3 Drawer Cabinet



SKU# 65002
SKU# 70003



SKU# 65602
SKU# 70103



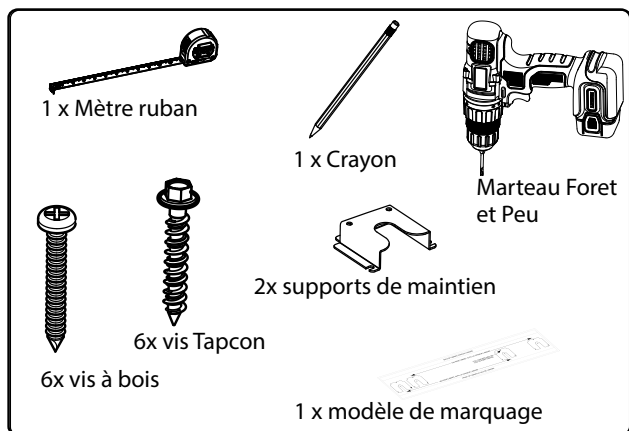
SKU# 65202
SKU# 70203

Des blessures graves ou mortelles par écrasement peuvent survenir si les meubles se renversent. Pour éviter le basculement, ce meuble doit être utilisé avec le support anti-basculement fourni. Ouvrez un tiroir à la fois.

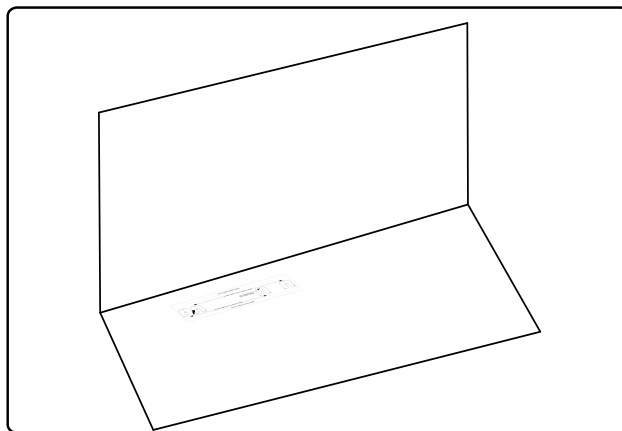


Installation du support anti-basculement

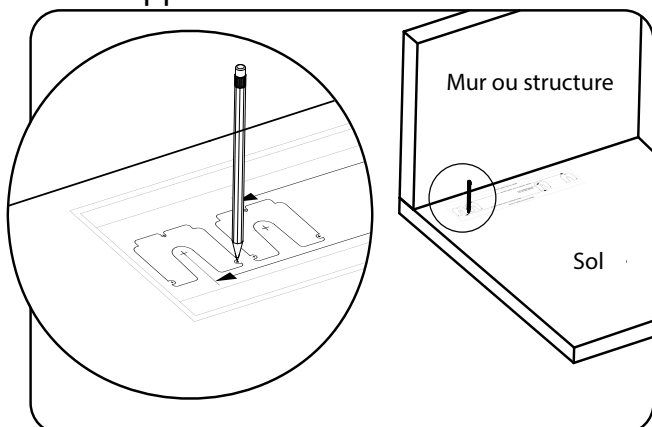
i Pièces requises



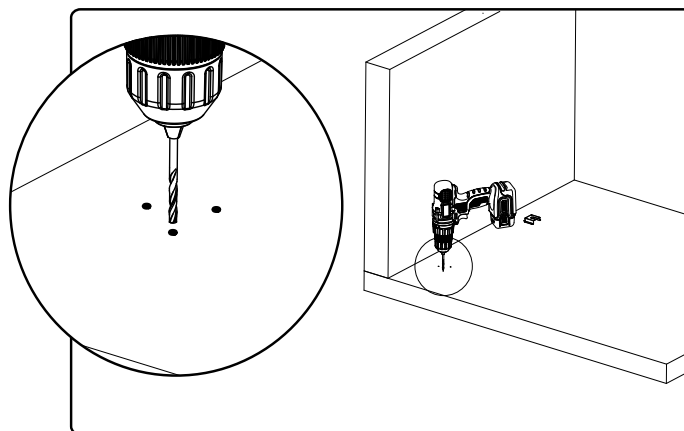
1 Placez le gabarit de marquage sur le sol à l'endroit où le pied arrière de l'armoire doit être installé.



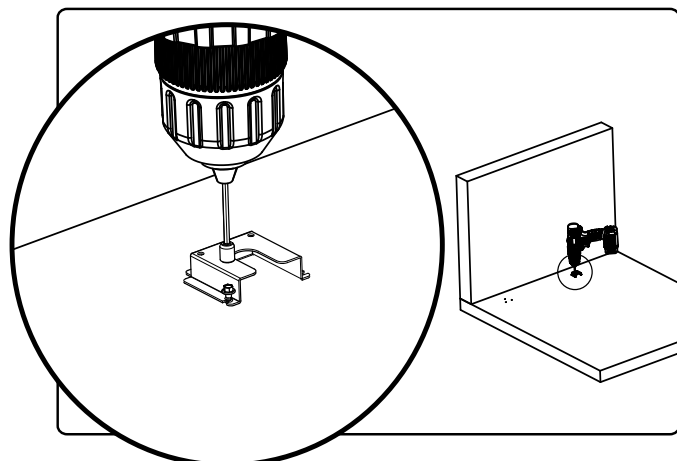
2 Marquez 6 emplacements de perçage à l'aide d'un gabarit pour placer les supports.



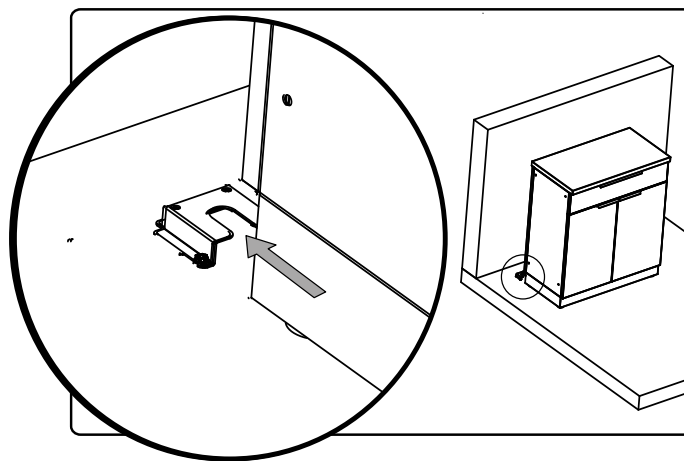
3 Percez le sol dans les positions marquées avec une perceuse appropriée pour le substrat



4 Fixez les supports anti-basculement avec 3 vis Tapcon (béton) ou 3 vis à bois (bois) selon le substrat du sol.



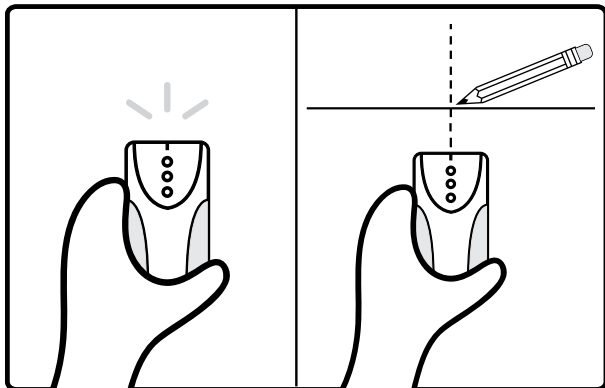
5 Déplacez l'armoire et guidez les pattes à travers les supports pour fixer l'armoire.



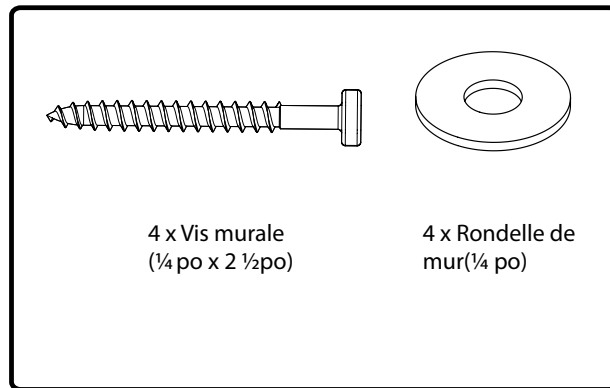
Installation des armoires murales

Montages des armoires sur clouté mur

i Utiliser le localisateur de montants pour repérer les montants et tracer une ligne sur la cloison avec un crayon.



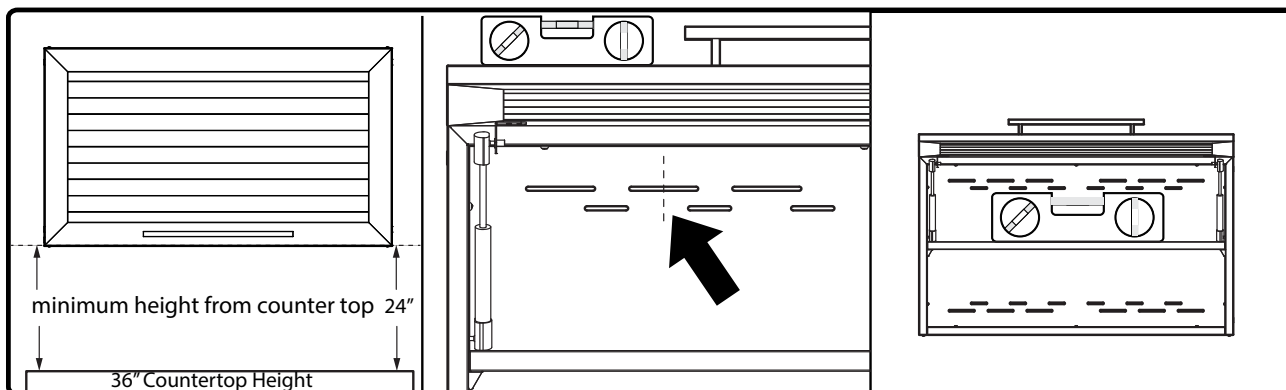
i Rassembler les pièces.



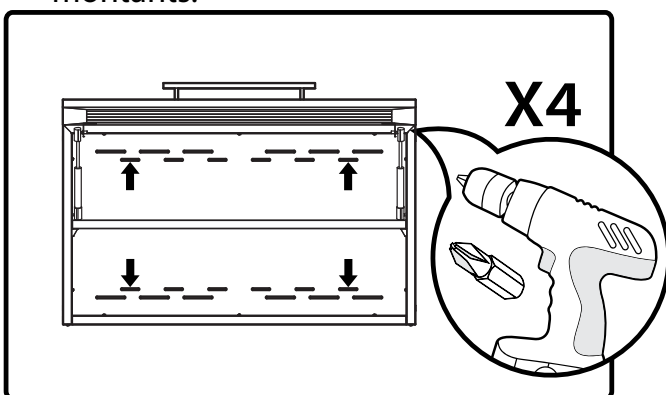
1 Bien appuyer l'armoire contre le mur.

2 Aligner l'armoire sur les marques des montants.

3 Mettre l'armoire à niveau



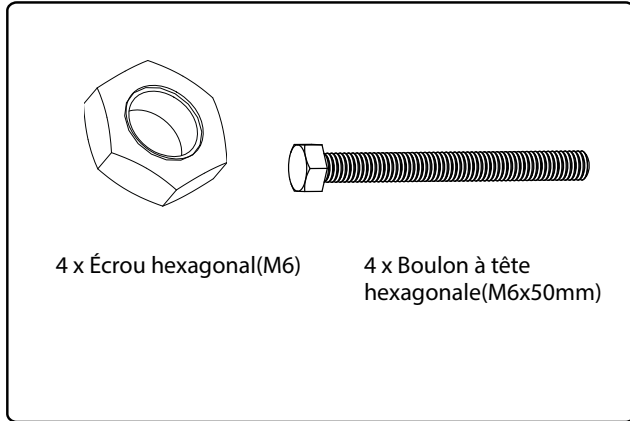
4 Pré-forage (4) 1/4\" (6.5mm) trous puis percer 4 vis et rondelles murales à travers des trous percés dans les montants.



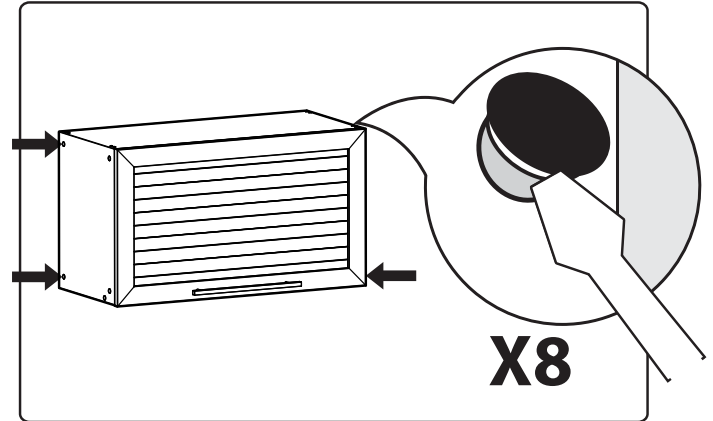
Installation des armoires murales

Fixation des armoires (les unes aux autres)

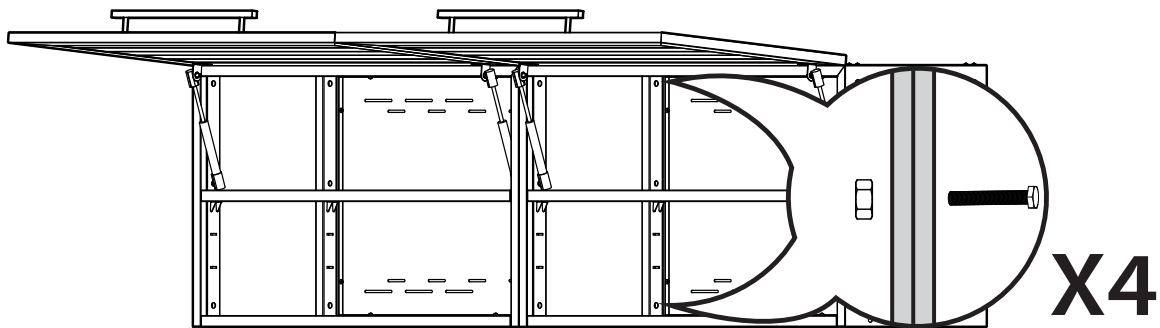
i Pièces requises



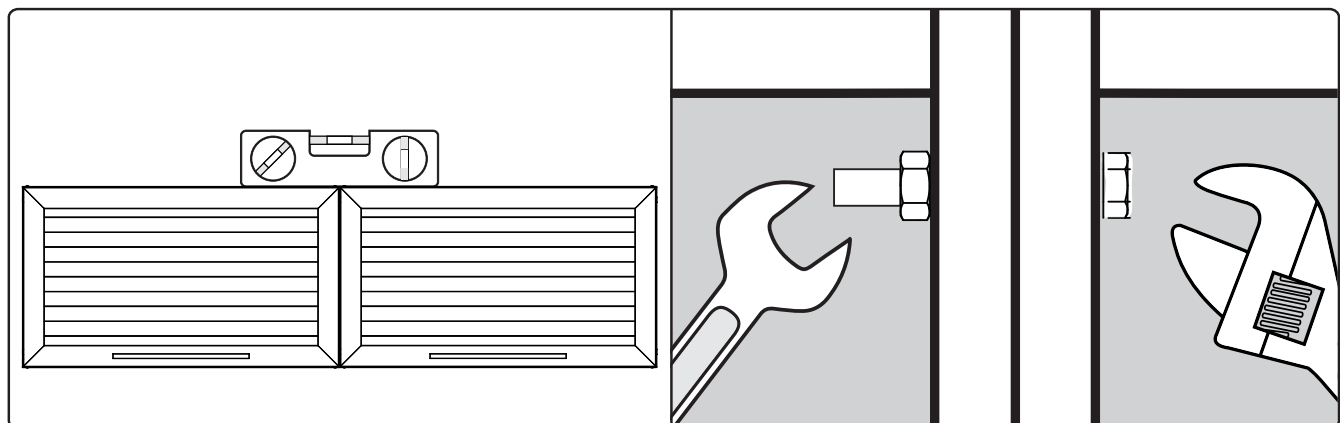
1 Enlevez les bouchons en plastique des armoires.



2 Alignez les boulons, puis serrez-les légèrement.



3 Mettez les armoires de niveau, puis resserrez tous les boulons.

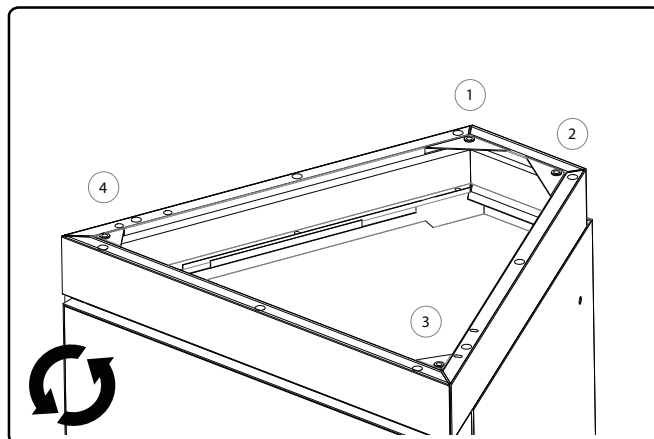


Installation des pieds

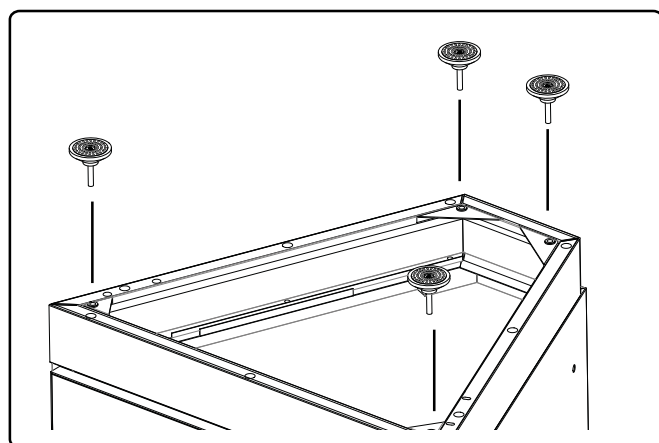
i Pièces requises



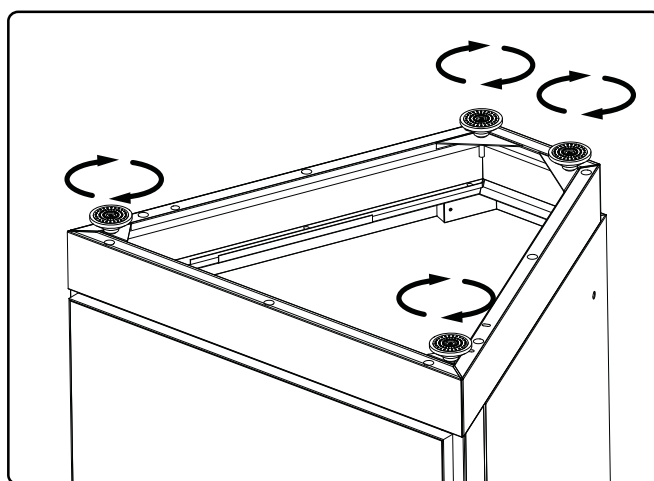
1 Faites basculer pour accéder



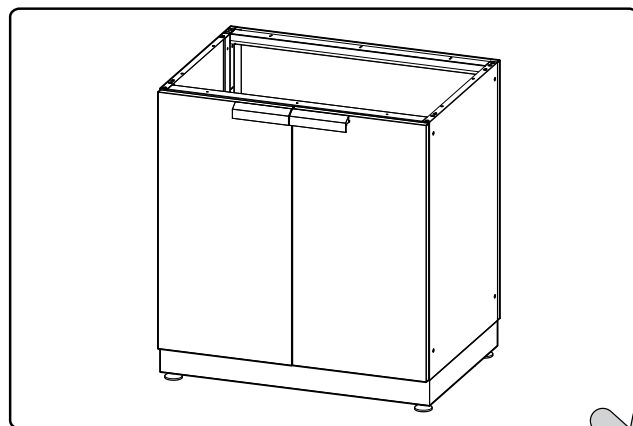
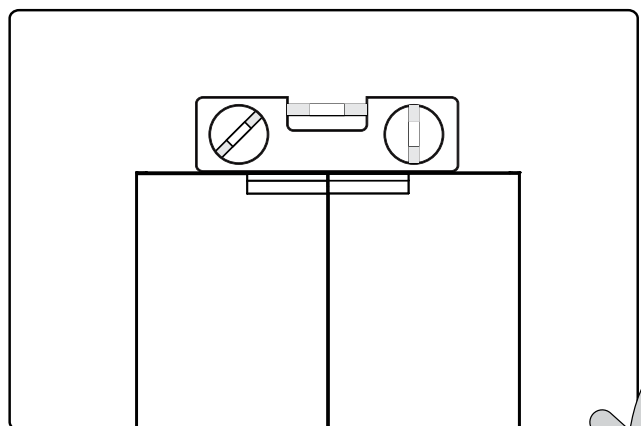
2 Aligner les niveleurs avec les écrous dans les cornières.



3 Tourner dans le sens des aiguilles d'une montre pour serrer chaque niveau.



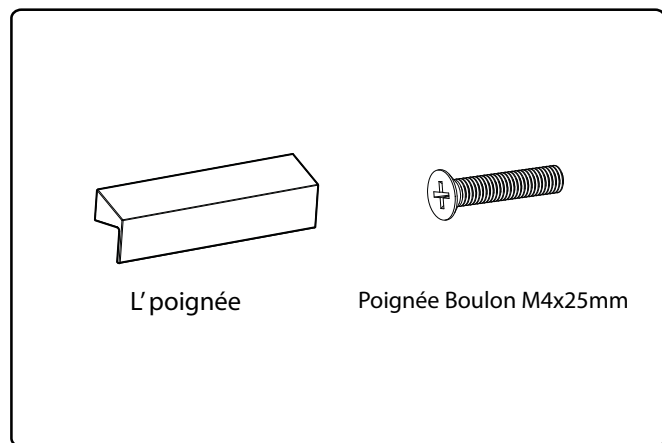
4 Retournez l'armoire et nivelez l'armoire en ajustant le niveleur.



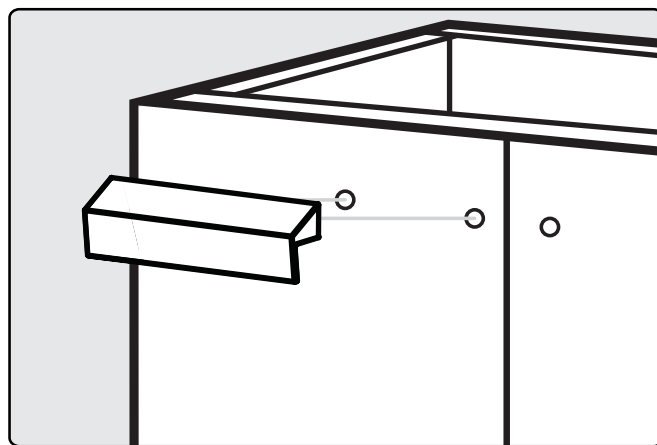
Installation des poignées

Poignées de porte et de tiroir d'armoire

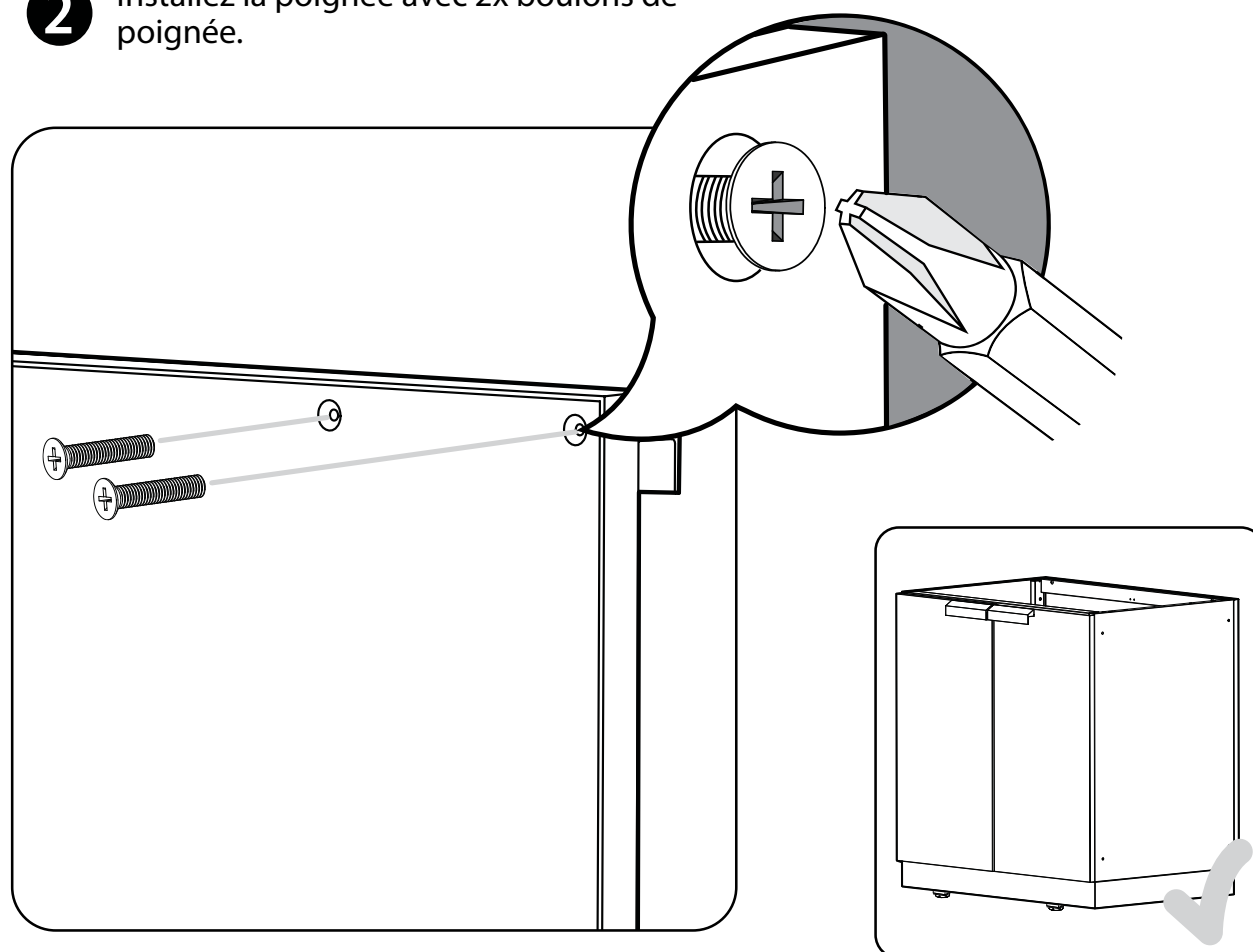
i Pièces nécessaires



1 Aligner la poignée sur les trous

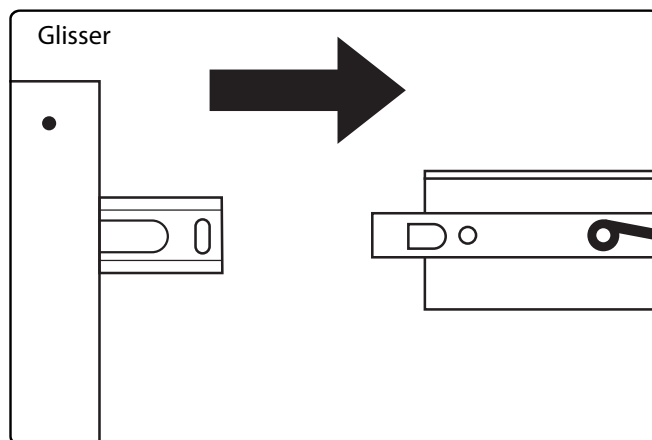
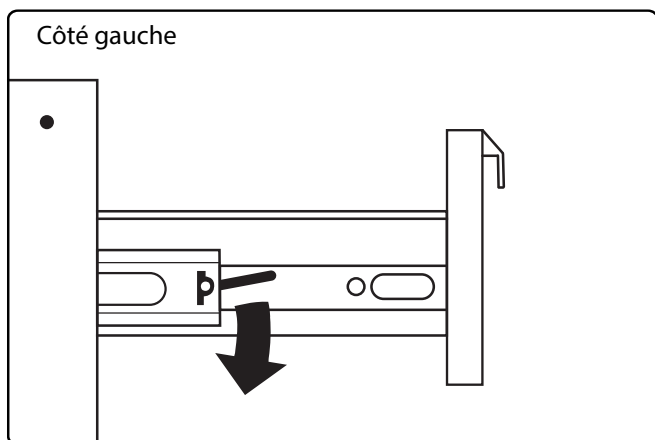
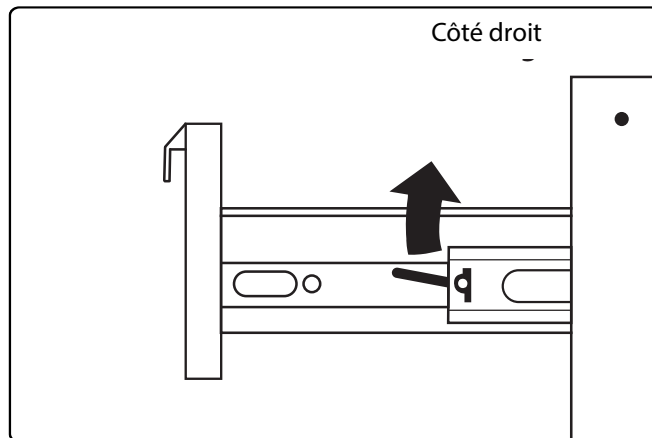
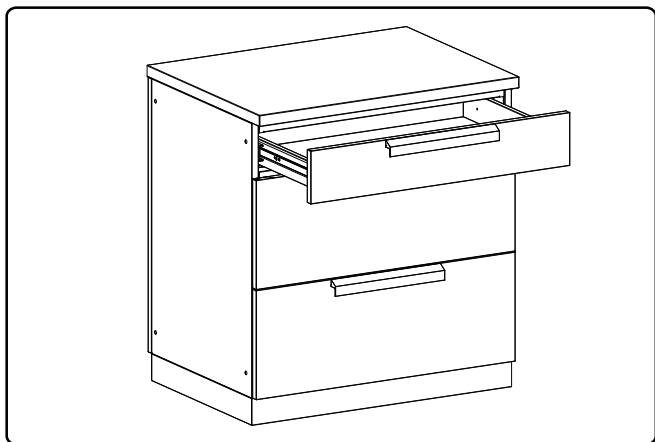


2 Installez la poignée avec 2x boulons de poignée.

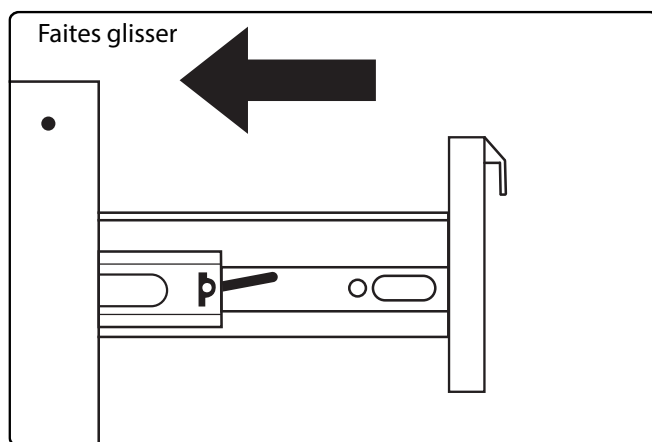
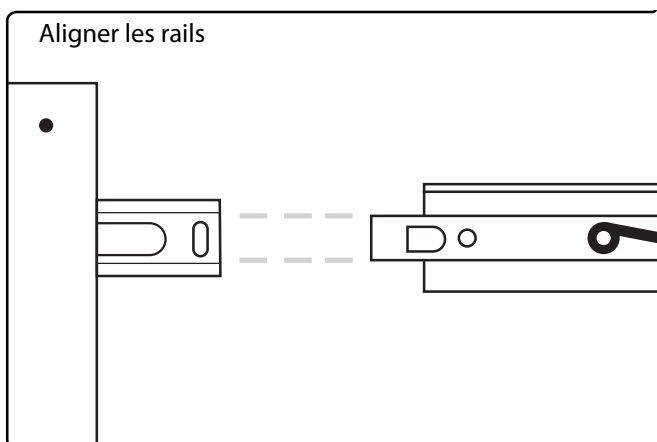


Installation/Retrait des tiroirs

Démontage des tiroirs

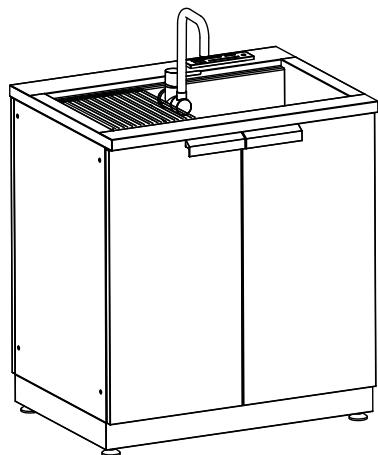


Insertion des tiroirs

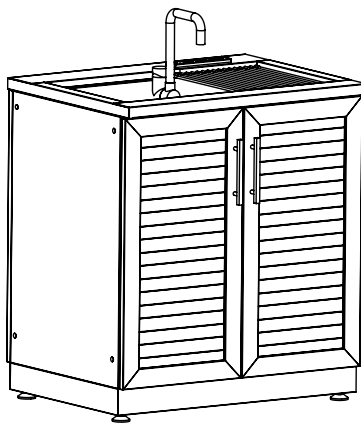


Préparation des armoires à évier

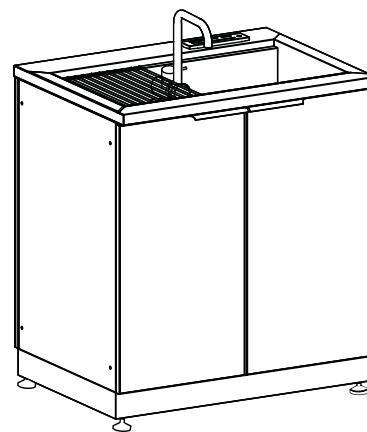
i REMARQUE: Les instructions suivantes s'appliquent aux armoires ci-dessous



SKU# 65001
SKU# 70002



SKU# 65601
SKU# 70102



SKU# 65201
SKU# 70202

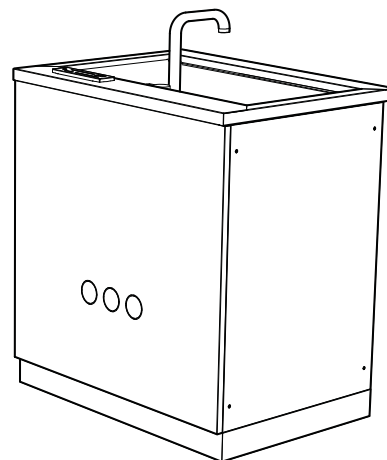
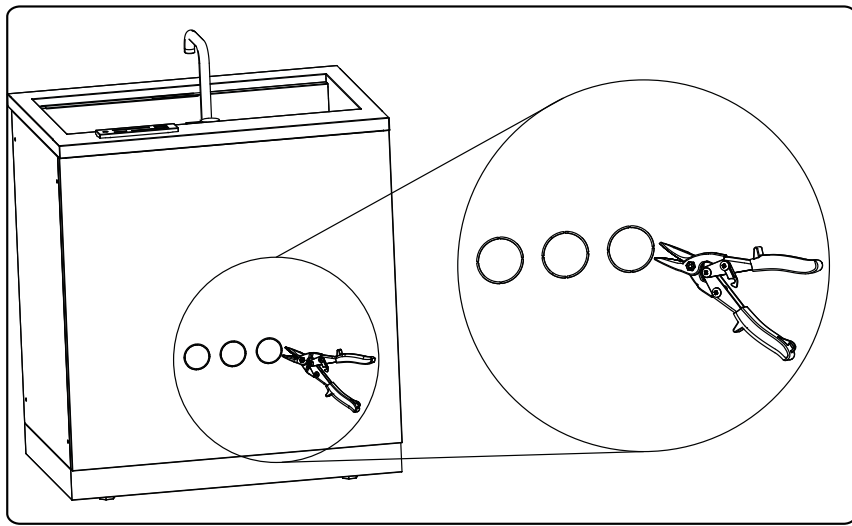
i REMARQUE: Assurez-vous que les travaux de plomberie sont effectués selon les codes du bâtiment de la région.

i REMARQUE: Il est recommandé qu'un plombier qualifié installe les armoires à évier.

Préparation des armoires à évier

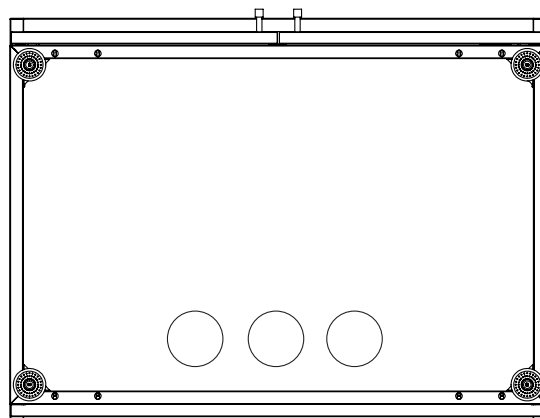
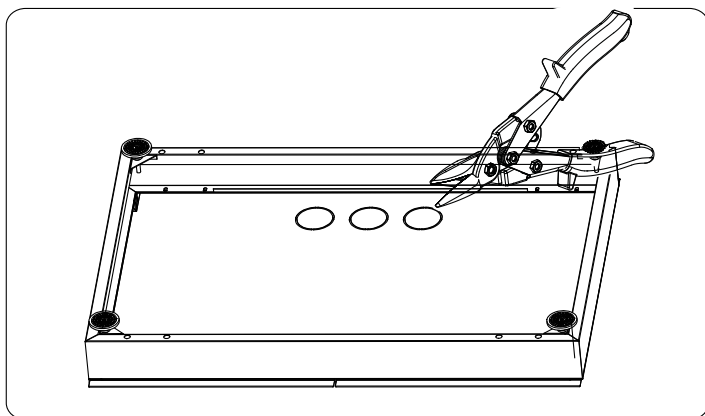
i Assurez-vous que les conduites de plomberie (conduites d'eau froide/chaude et tuyau d'évacuation) sont situées sous l'armoire, alignées avec les trois trous pré-perçés au bas de l'armoire.

1a Repérez les 3 trous pré-perçés au bas de l'armoire pour les conduites de plomberie. À l'aide de ciseaux à métaux, coupez de petites bandes pour ouvrir les entrées défonçables.



Vue arrière du meuble-lavabo

1b Repérez les 3 trous pré-perçés au bas de l'armoire pour les conduites de plomberie. À l'aide de ciseaux à métaux, coupez de petites bandes pour ouvrir les entrées défonçables.

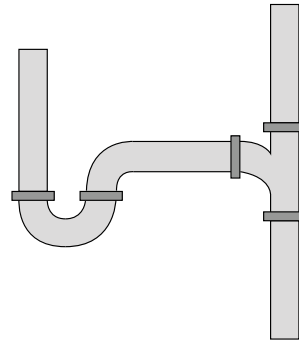


Vue de dessous du meuble lavabo

Préparation des armoires à évier

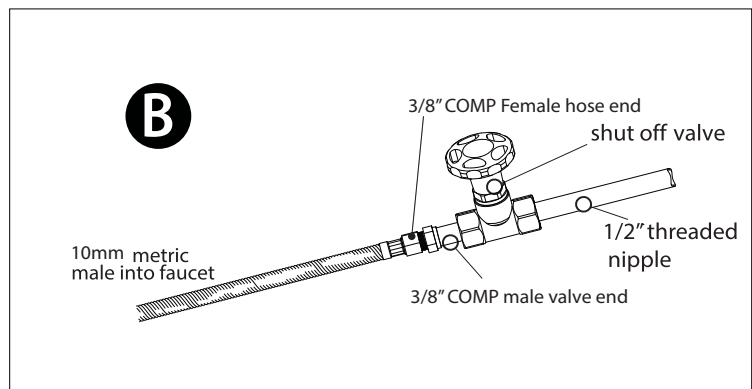
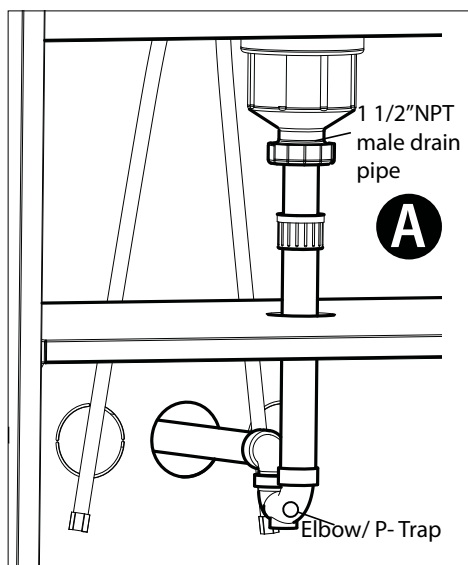


Veillez à appliquer les dernières normes de plomberie et les exigences des codes de construction de votre région. Le drainage siphon-P est recommandé pour la plomberie.

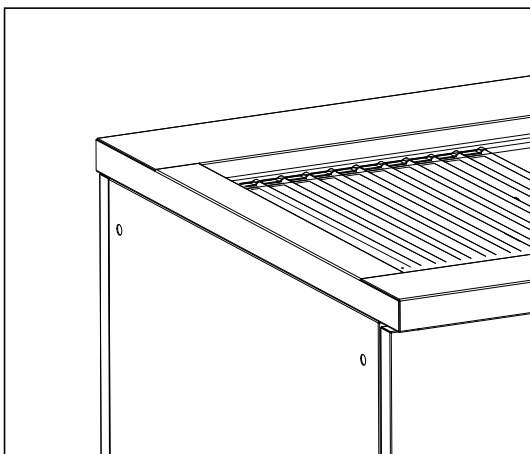


P-Trap

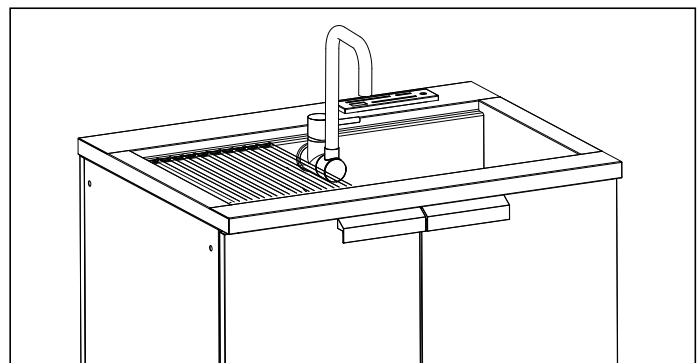
- 3** Raccordez l'adaptateur du siphon à un siphon-P et à un tuyau de drainage(A). Connectez les lignes tressées d'arrivée d'eau chaude et froide aux lignes d'alimentation(B).



- 4** Placez le plateau de séchage sur la surface de l'évier.



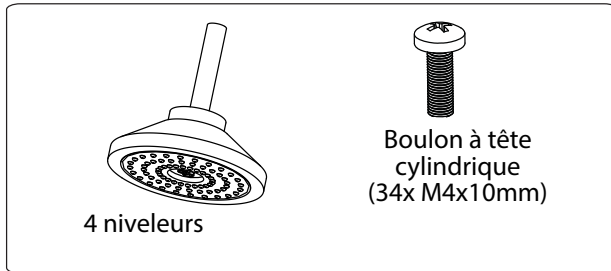
- 5** Le robinet est préinstallé dans l'armoire. La tête est pliée latéralement à l'intérieur de l'emballage. Dépliez-le vers le haut pour rétablir sa position.



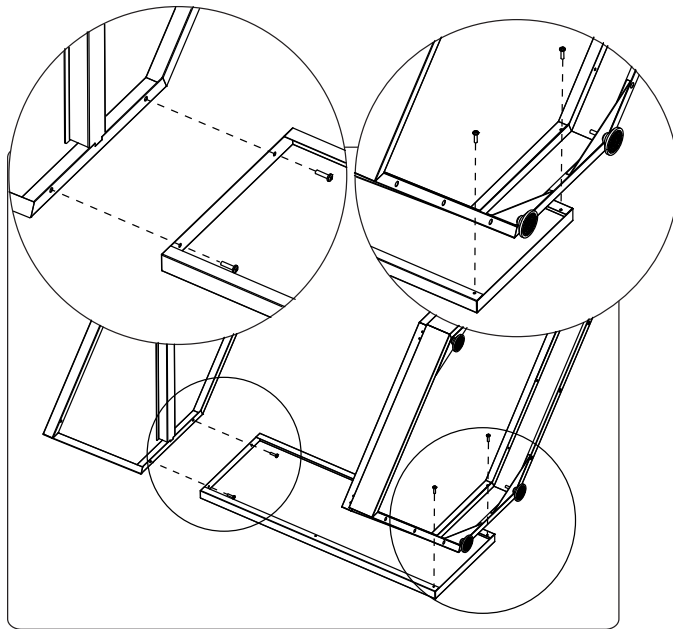
Assemblage du meuble d'angle à 90°

Frame Assembly

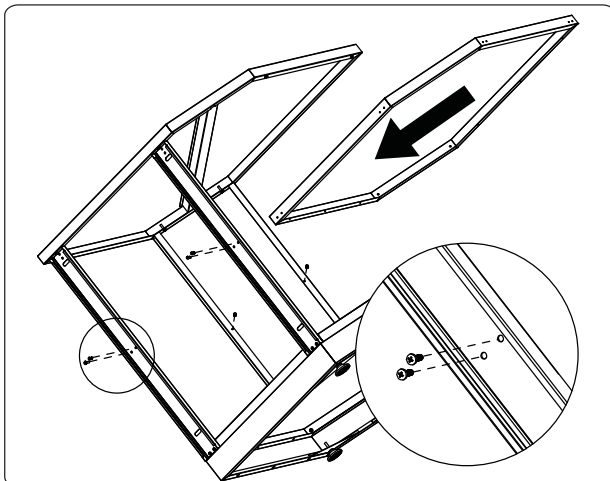
i Pièces requises



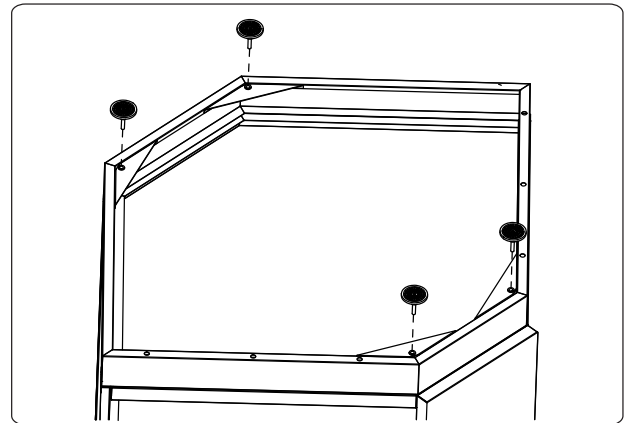
2 Fixer le dessus, l'arrière et la base avec bée. 4 vis à tête cylindrique x M4 x 10mm.



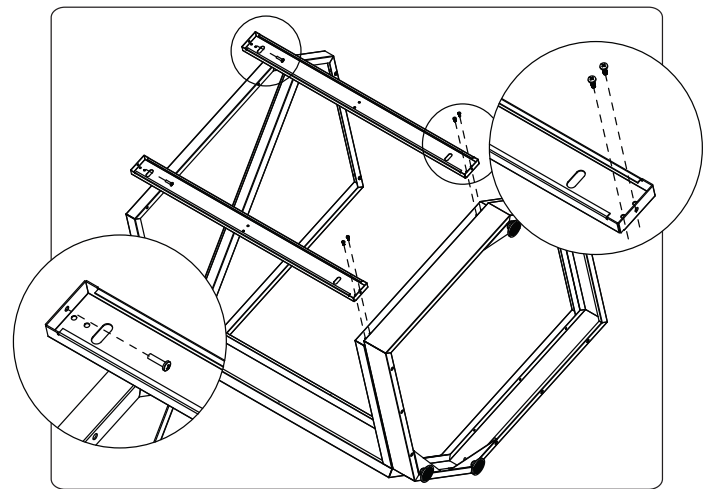
4 Fixer le dessus, l'arrière et la base avec bée. 4 vis à tête cylindrique x M4 x 10mm.



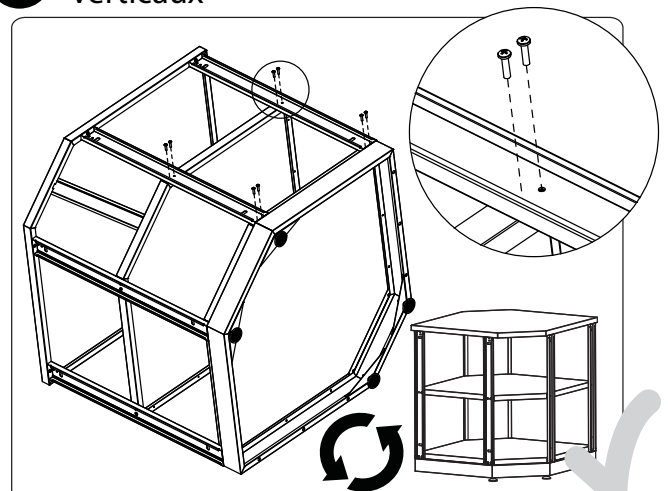
1 Fixez 4 niveleurs à 4 supports avec des écrous d'insertion.



3 Fixer 2 montants verticaux avec 4 vis à tête cylindrique bombée de boulon (M4 X 10MM)



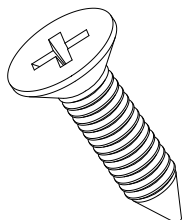
5 Répétez l'étape 4 pour 2 plus poteaux verticaux



Assemblage du meuble d'angle à 90°

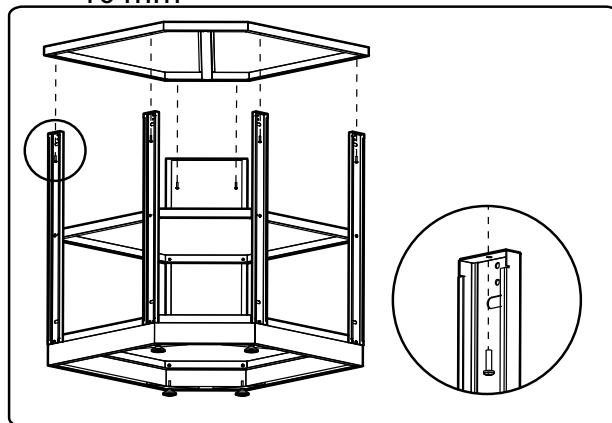
Assemblage du cadre et du dessus de granit

i Pièces requises

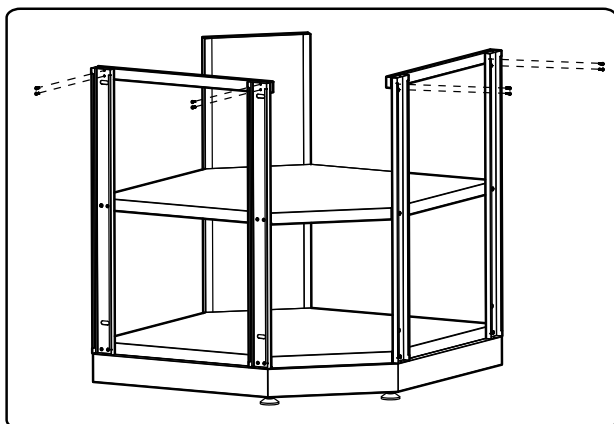


6 x Vis à bois à tête plate
ST 4.2-16mm

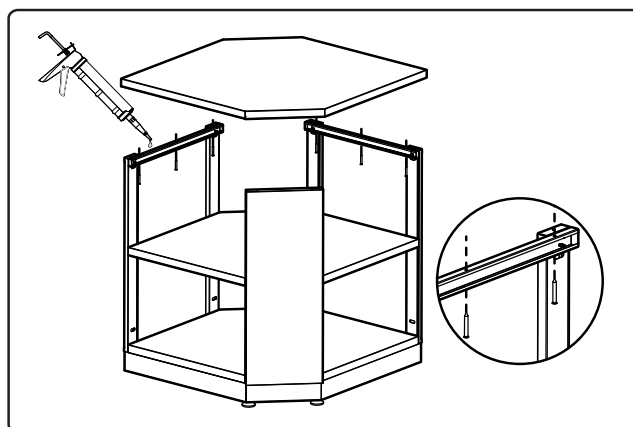
1 Enlever le dessus en acier inoxydable en retirant 6 x tête cylindrique bombée M4 x 10 mm



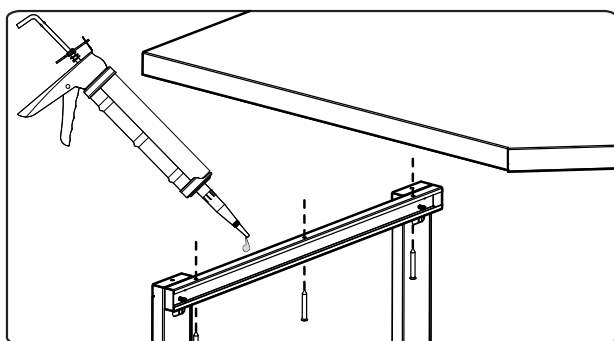
2 Fixer les 2 montants de granit inclus avec 4 x M4 x 10 mm pan head bolts au sommet des montants.



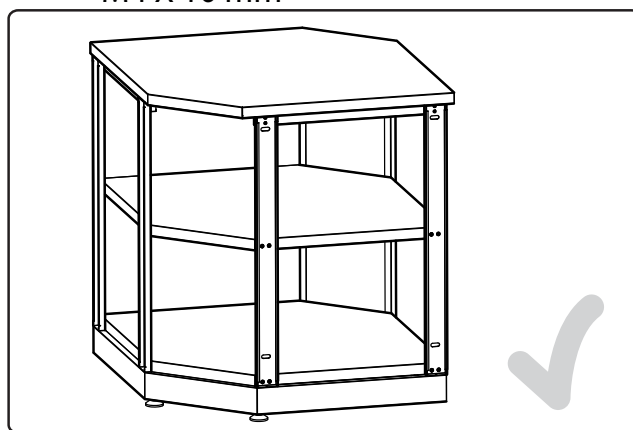
3 Fixer le dessus de granit avec 6 vis pour bois à tête plate bombée ST4.2-16 sur le support de granit en contreplaqué.



4 Appliquer un peu de silicone à 8 endroits pour fixer le comptoir en place. Essuyer l'excédent de silicone qui dépasse pendant l'installation.

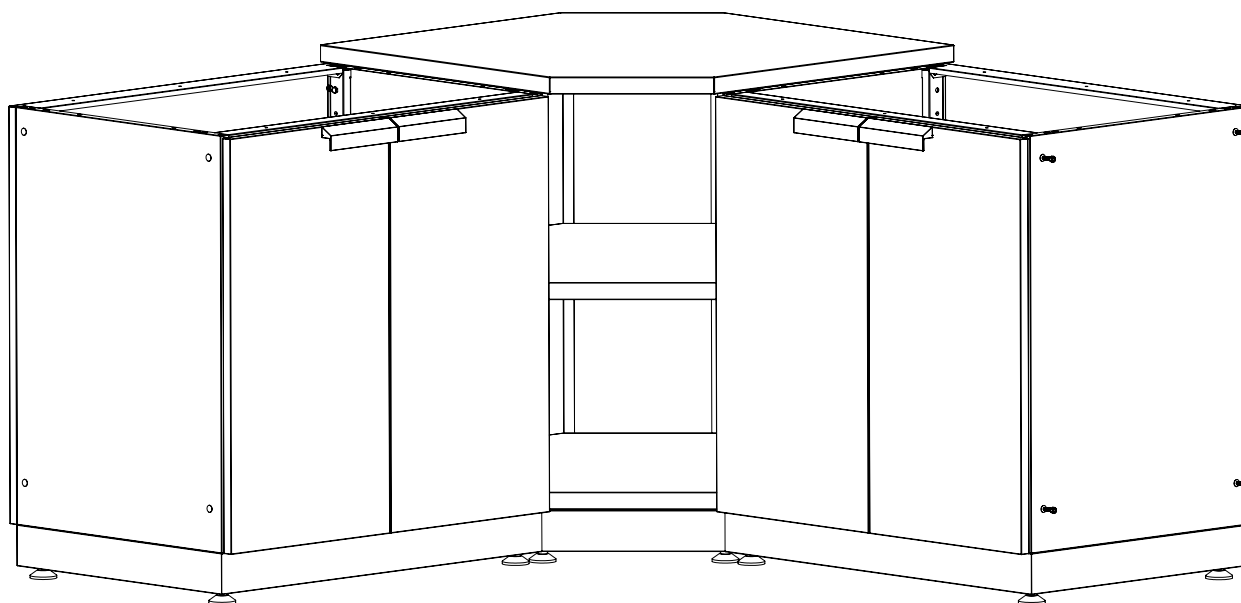


5 Défaire le dessus en acier inoxydable en retirant 6 boulons à tête cylindrique M4 X 10 mm



Création d'un angle de 90°

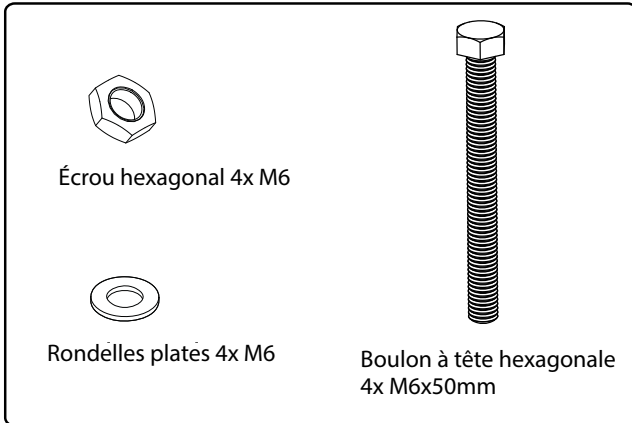
Armoire d'angle à 90°



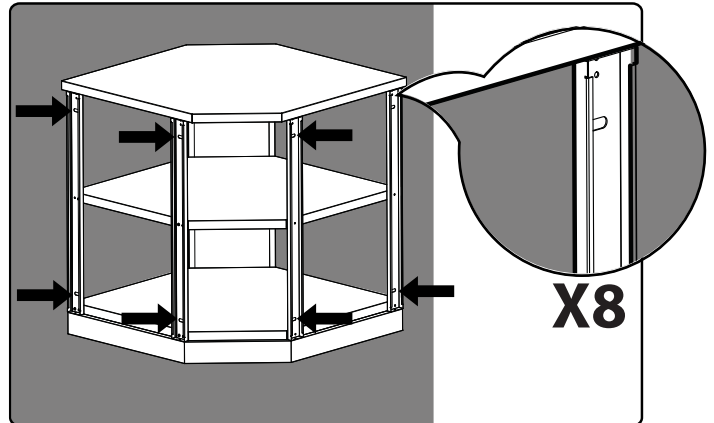
Création d'un angle de 90°

Fixation des armoires

i Parts Needed

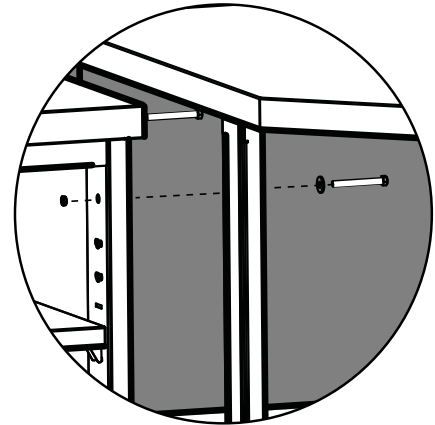
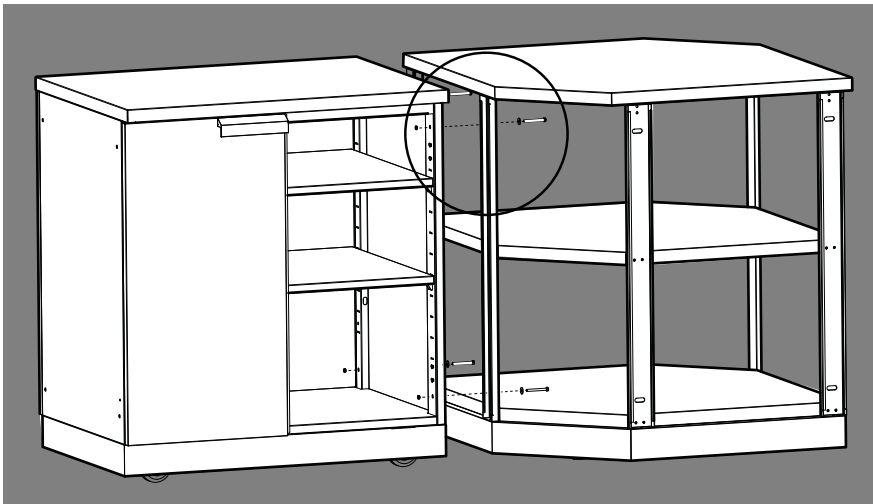


1 Localisez les fentes des boulons sur le support vertical.



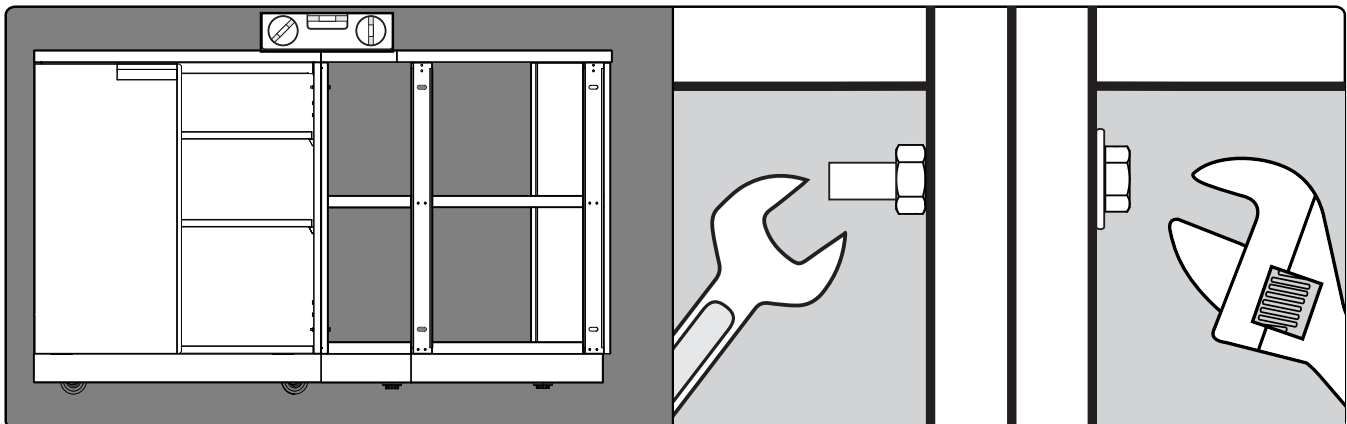
*** Door removed for ease of explanation ***

2 Alignez les boulons, puis serrez-les légèrement



X4

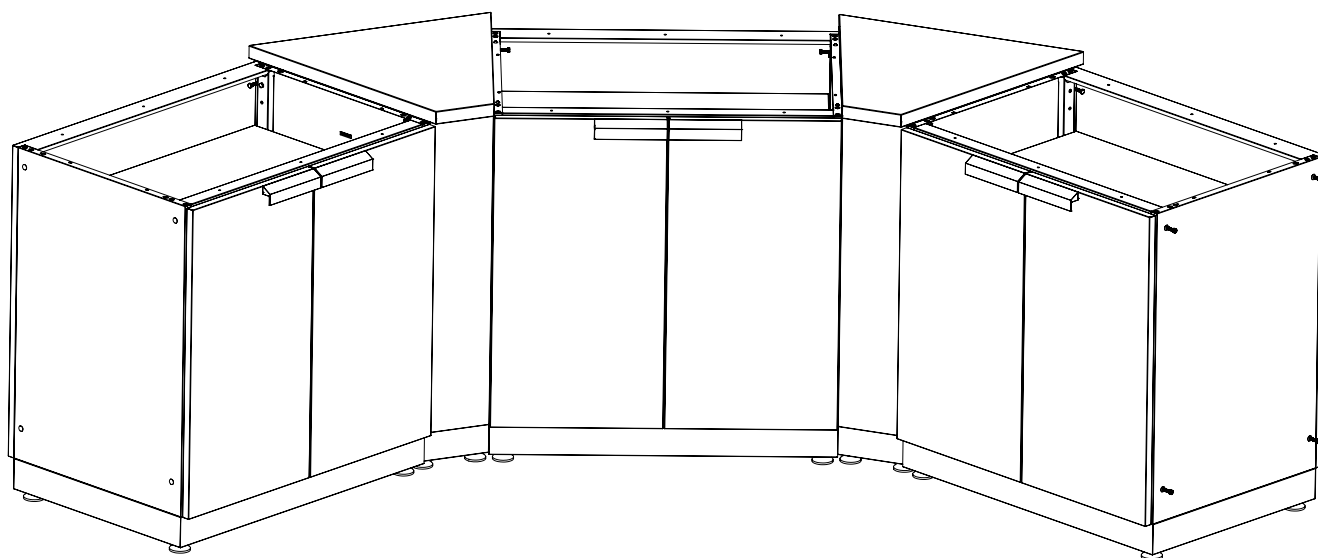
3 Mettez les armoires de niveau, puis resserrez tous les boulons.



Création d'un angle de 45°

Meuble d'angle 45°

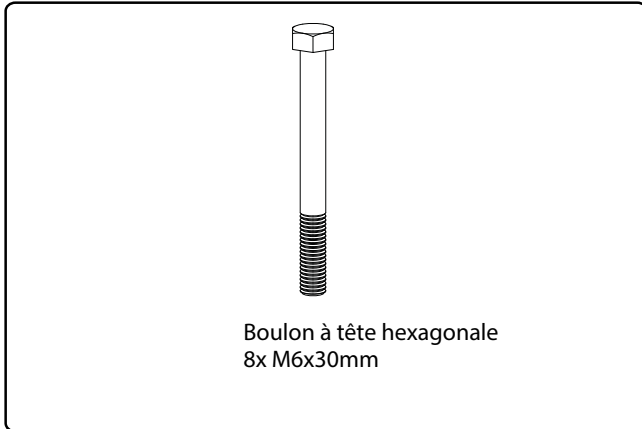
Meuble d'angle 45°



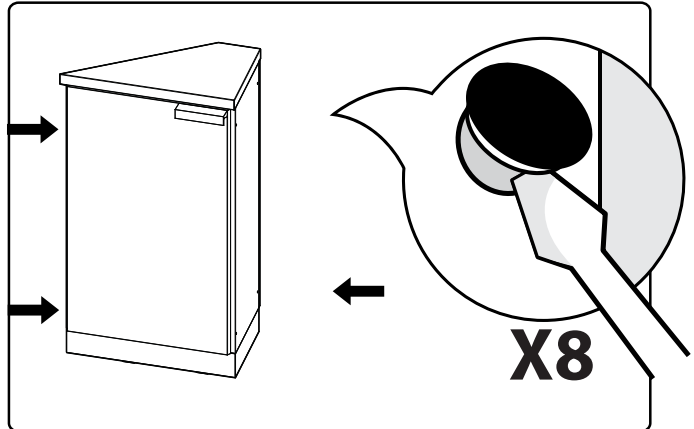
Création d'un angle de 45°

Fixation des armoires

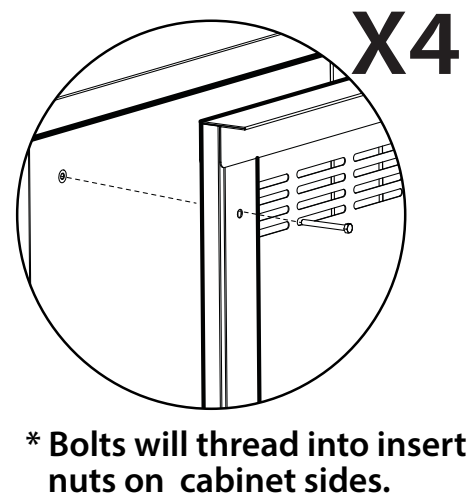
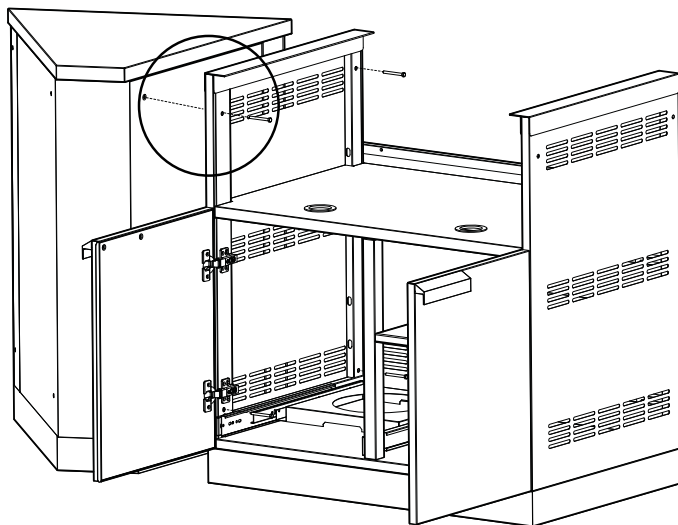
i Pièces requises



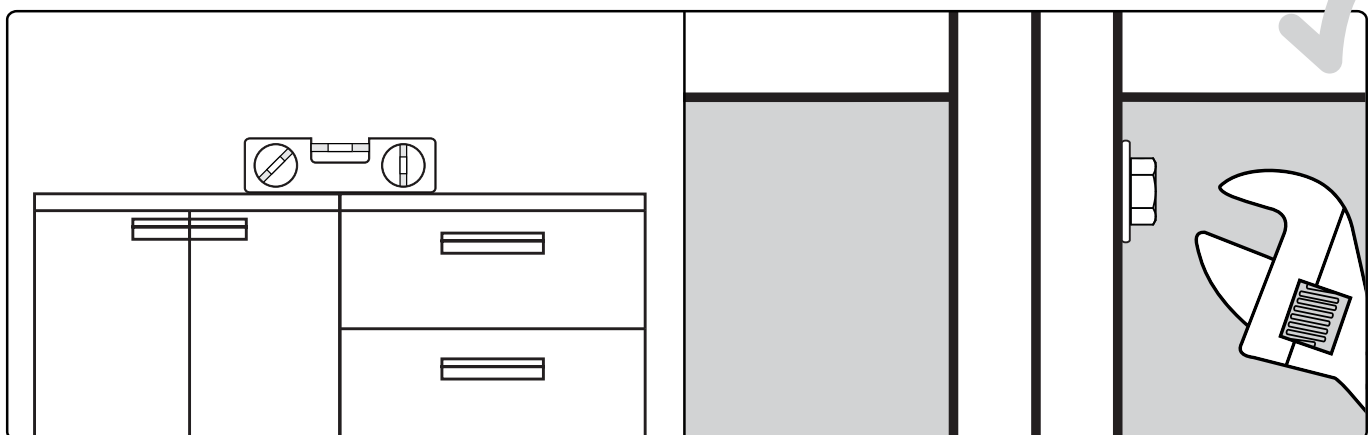
1 Enlevez les bouchons en plastique des armoires.



2 Alignez les boulons, puis serrez-les légèrement.



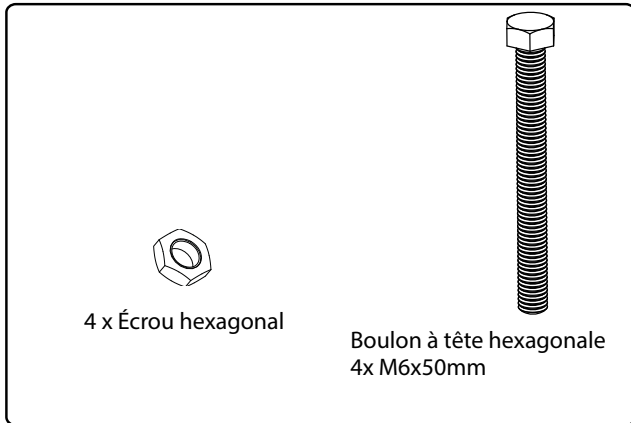
3 Mettez les armoires de niveau, puis resserrez tous les boulons.



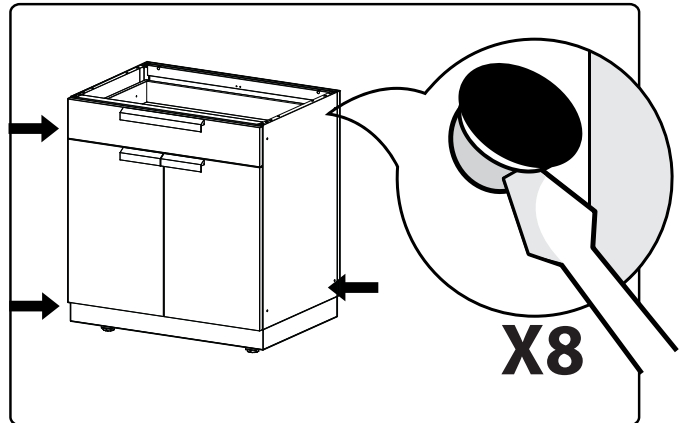
Fixation des armoires

Fixation des armoires (les unes aux autres)

i Pièces requises

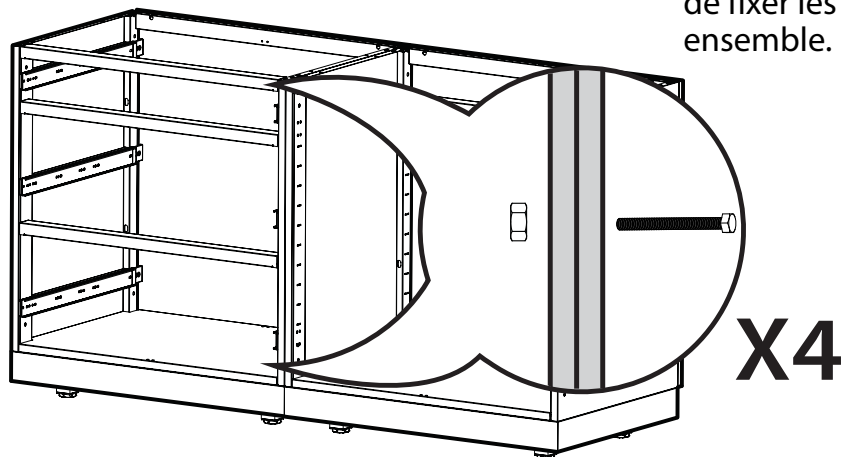


1 Enlevez les bouchons en plastique des armoires.

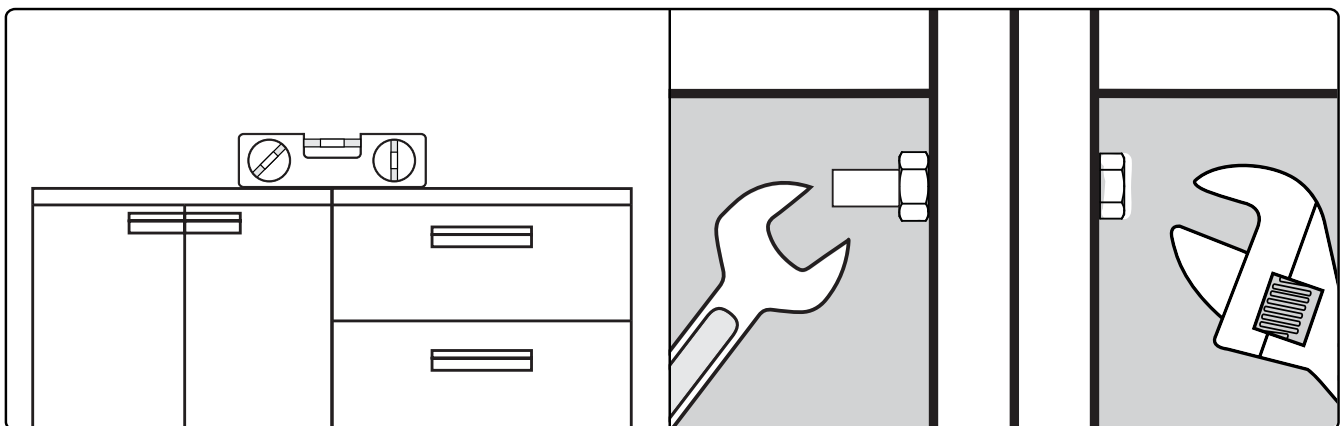


2 Alignez les boulons, puis serrez-les légèrement.

i **REMARQUE:** Toutes les portes et tous les tiroirs doivent être retirés avant de fixer les armoires ensemble.



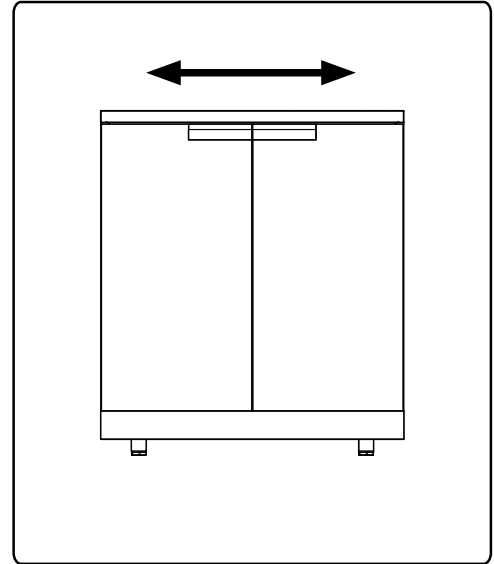
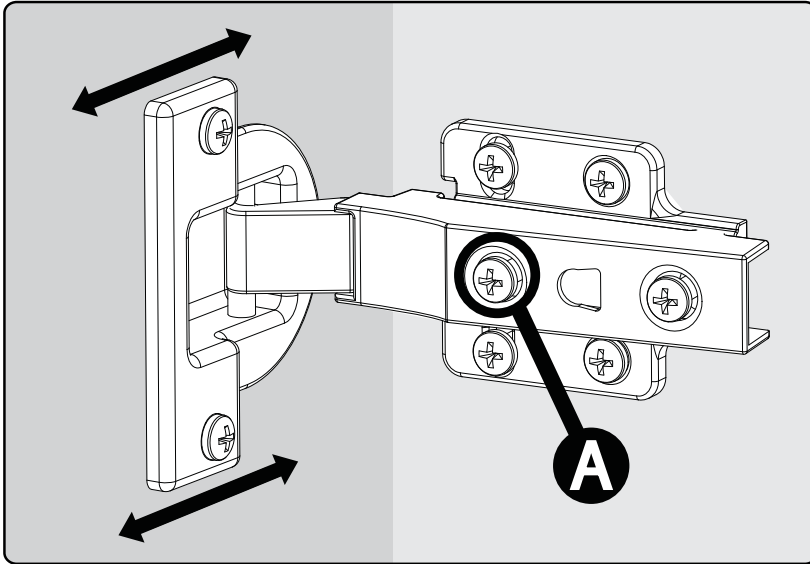
3 Mettez les armoires de niveau, puis resserrez tous les boulons.



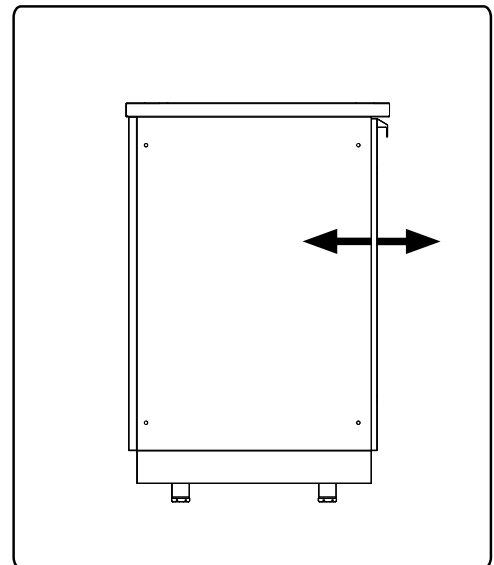
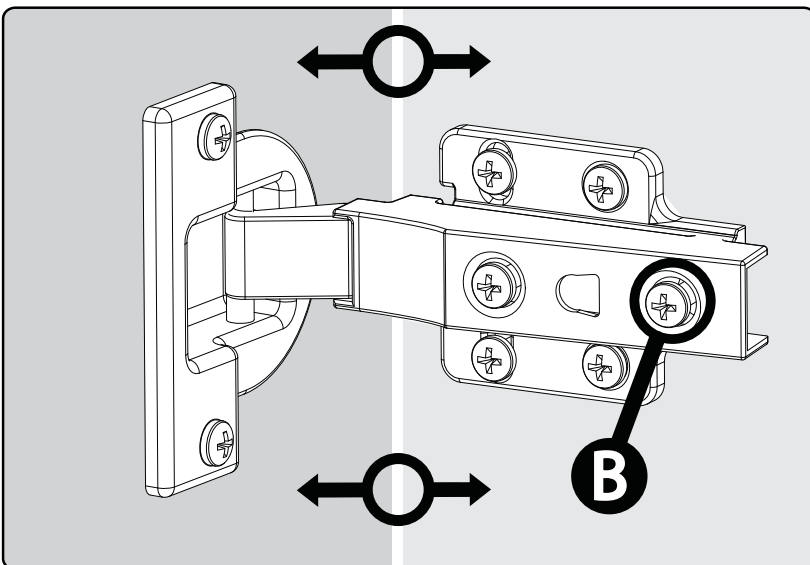
Réglage des charnières de portes

i Remarque: Il est possible de régler les portes avec un tournevis Phillips : vers la gauche, la droite, l'avant ou l'arrière.

1 Pour régler les portes vers la gauche ou la droite, tourner la vis (A) dans le sens des aiguilles d'une montre ou dans le sens inverse des aiguilles d'une montre.



2 Pour ajuster l'interstice entre les portes et le cadre, tourner la vis (B) dans le sens des aiguilles d'une montre ou dans le sens inverse des aiguilles d'une montre.



Installation des comptoirs

Armoires de cuisine extérieures classiques Plan de travail en acier inoxydable

UGS	Description
65800	Armoires de cuisine d'extérieur classiques, plan de travail de 32 po
65801	Armoires de cuisine d'extérieur classiques, plan de travail de 56 po
65802	Armoires de cuisine d'extérieur classiques, plan de travail de 64 po
65803	Armoires de cuisine d'extérieur classiques, plan de travail de 88 po
65804	Armoires de cuisine d'extérieur classiques, plan de travail de 96 po

Plans de travail



Plan de travail de 32 po, s'adapte sur 1 armoire



Plan de travail de 56 po, s'adapte sur 1 armoire et Coin réfrigérateur



Plan de travail de 64 po, s'adapte sur 2 armoire



Plan de travail de 88 po, s'adapte sur 2 armoire et Coin réfrigérateur



Plan de travail de 96 po, s'adapte sur 3 armoire

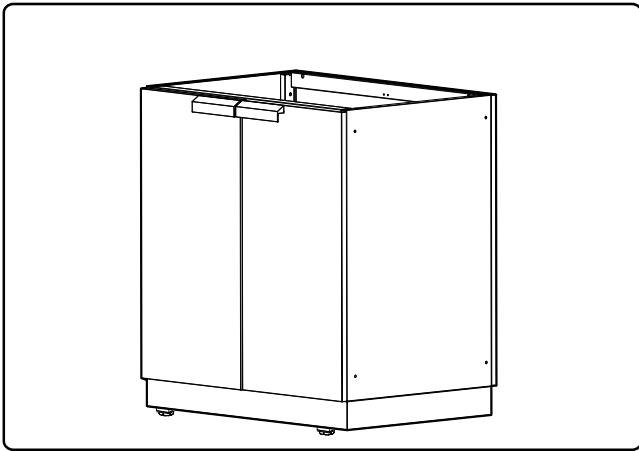
Comptoir en granit d'armoires de cuisine extérieures classiques

UGS	Description
89121	Armoires de cuisine extérieures classiques 32 po Comptoirs en granit noir Galaxy
89122	Armoires de cuisine extérieures classiques 56 po Comptoirs en granit noir Galaxy
89123	Armoires de cuisine extérieures classiques 64 po Comptoirs en granit noir Galaxy
89124	Armoires de cuisine extérieures classiques 88 po Comptoirs en granit noir Galaxy
89221	Armoires de cuisine extérieures classiques 32 po Comptoirs en granit sable doré
89222	Armoires de cuisine extérieures classiques 56 po Comptoirs en granit sable doré
89223	Armoires de cuisine extérieures classiques 64 po Comptoirs en granit sable doré
89224	Armoires de cuisine extérieures classiques 88 po Comptoirs en granit sable doré

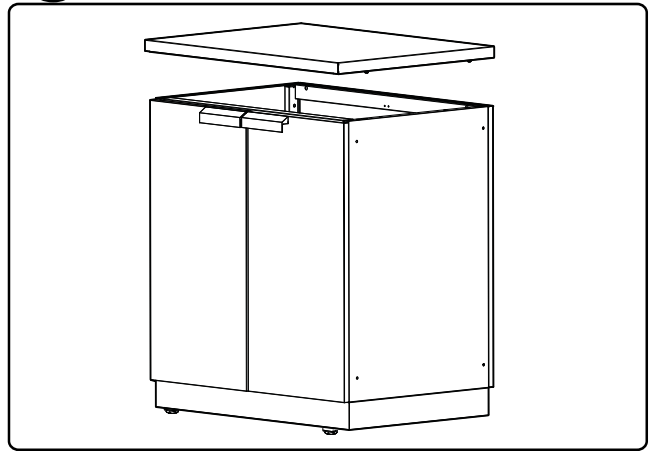
Installation des comptoirs

Montage du plan de travail en acier inoxydable sur des armoires

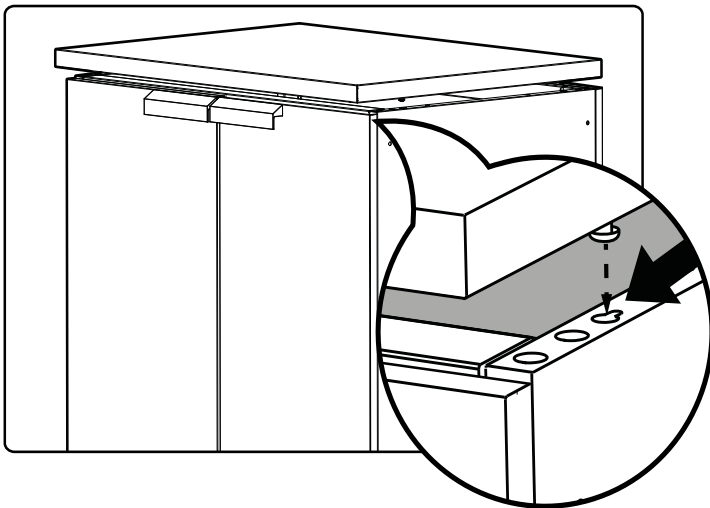
1 Remettez l'armoire debout.



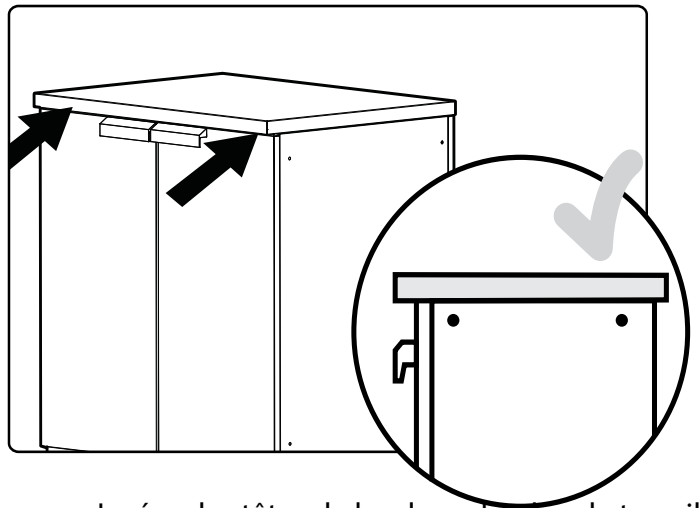
2 Posez le plan de travail sur les armoires.



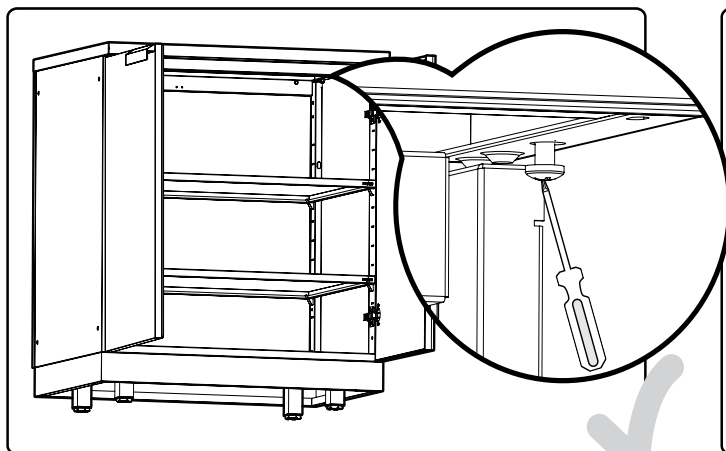
3 Insérez les têtes des boulons du plan de travail dans les encoches en trou de serrure.



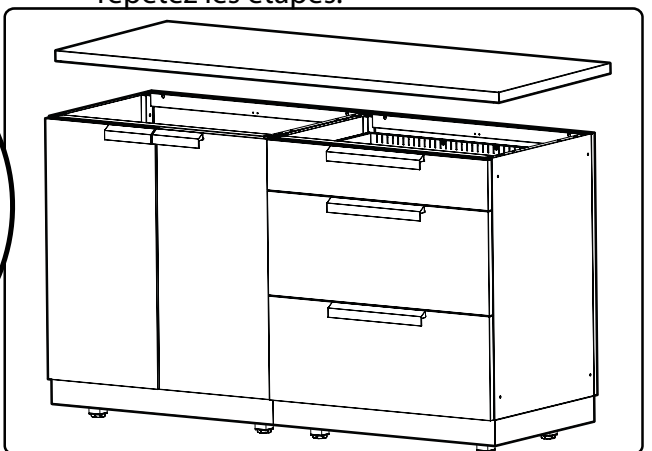
4 Poussez sur le plan de travail de façon à le verrouiller en place.



5 Serrez les vis de manière à attacher les armoires solidement.



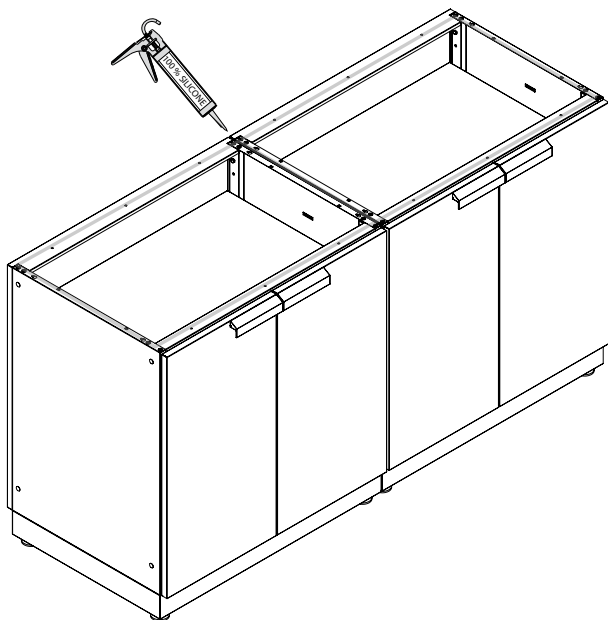
6 Insérez les têtes de boulons du plan de travail dans les fentes en forme de trou de serrure pour les plans de travail sur plusieurs armoires et répétez les étapes.



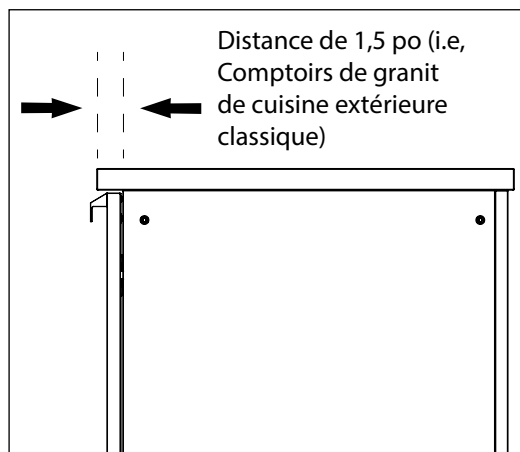
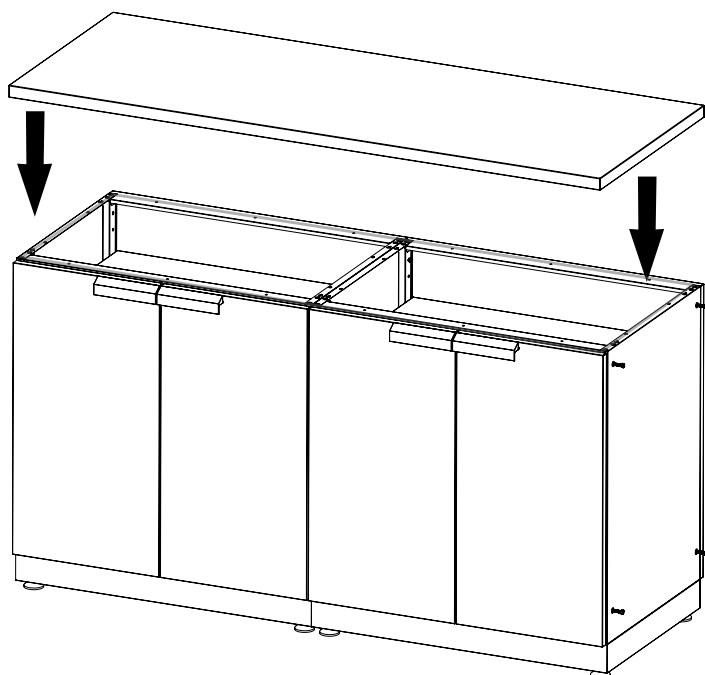
Installation des comptoirs

Montage des comptoirs en granit sur les armoires

- 1 À l'aide d'un pistolet à calfeutrer 100% silicone (non inclus), appliquez un cordon de silicone sur le panneau supérieur des armoires



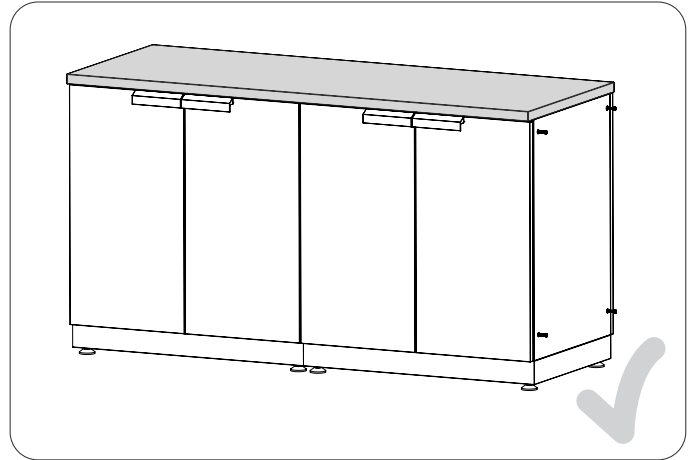
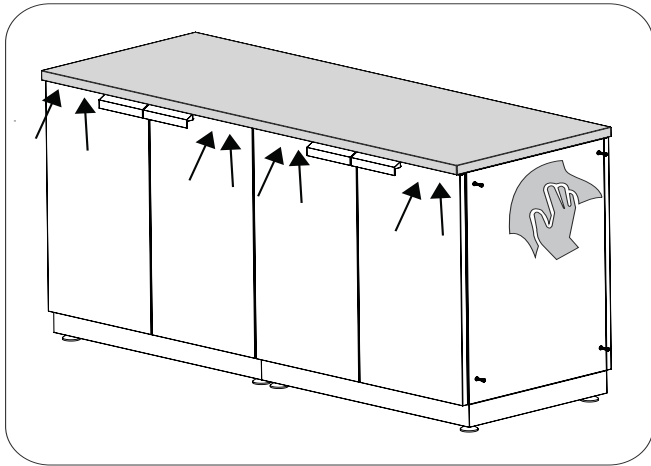
- 2 À l'aide de deux personnes, soulevez le comptoir avec précaution. Alignez le bord avant du dessus en granit avec le bord avant des armoires avec un décalage de 1,5 po, puis placez-le lentement sur le dessus.



Installation des comptoirs

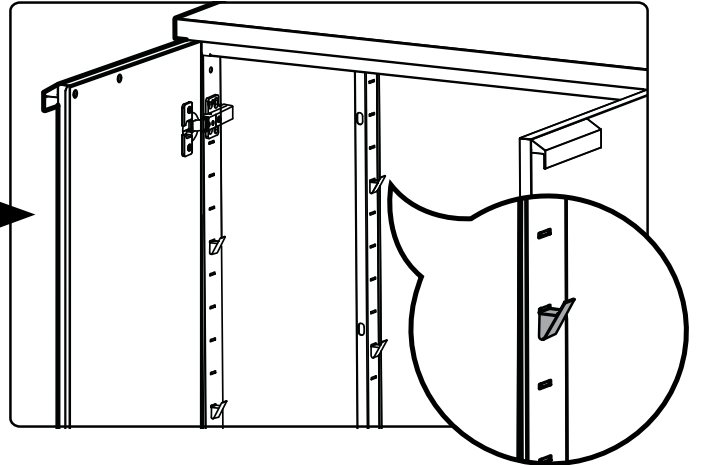
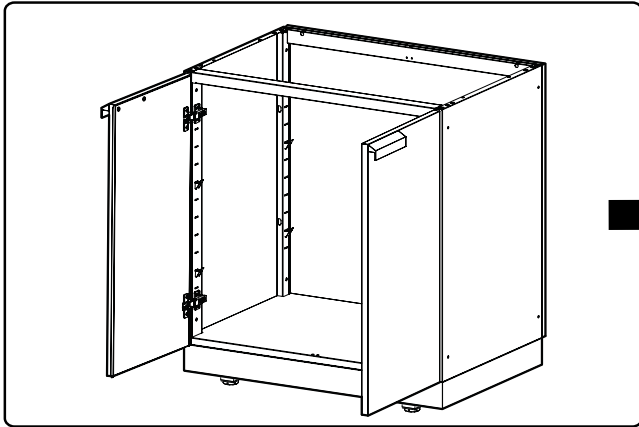
Montage des comptoirs en granit sur les armoires

- 3** À l'aide d'un chiffon humide, essuyez tout excès de silicone le long du joint entre le comptoir et l'armoire.
Suivez les instructions du fabricant de silicone pour le temps de séchage.

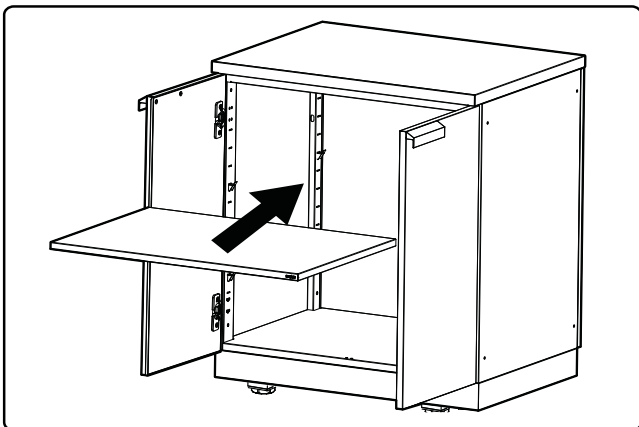


Insertion des étagères de l'armoire

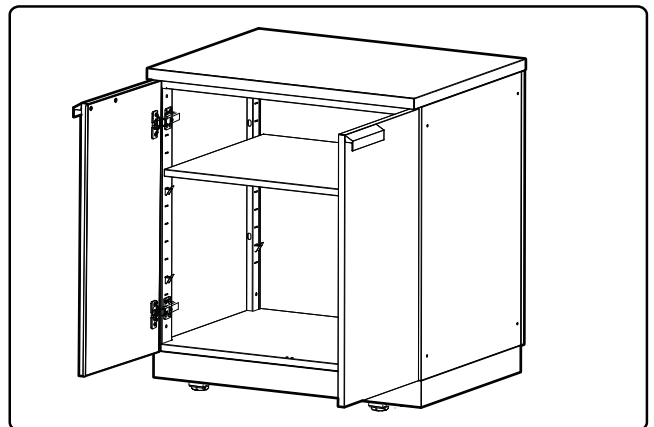
- 1** Ouvrez les portes de l'armoire. Fixez les taquets à la hauteur voulue.



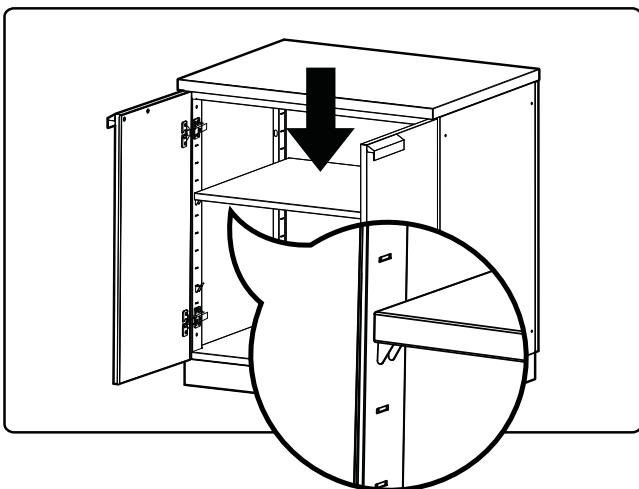
- 2** Assurez-vous que l'étagère est de niveau.



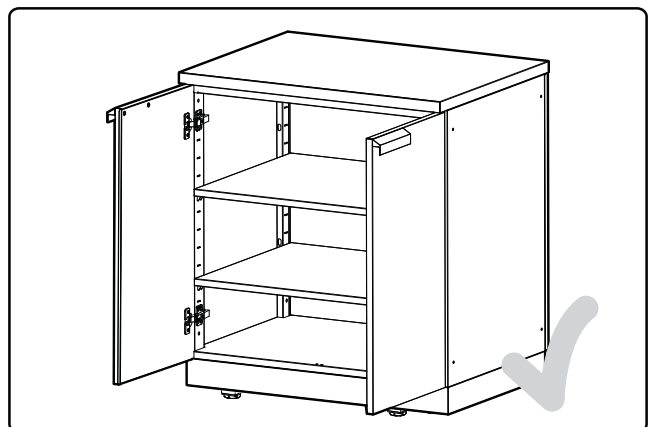
- 3** Insérez l'étagère dans l'armoire et placez-la au-dessus des taquets.



- 4** Déposez l'étagère sur les taquets.



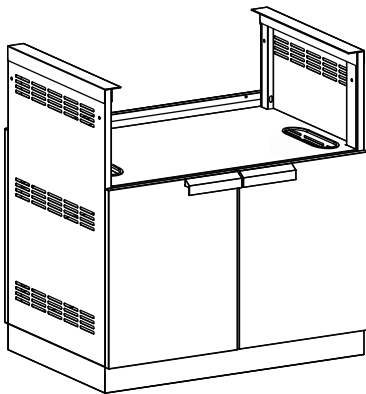
- 5** Installez les étagères restantes.



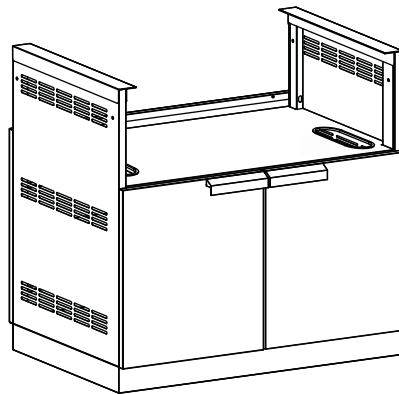
Installation du gril encastrable



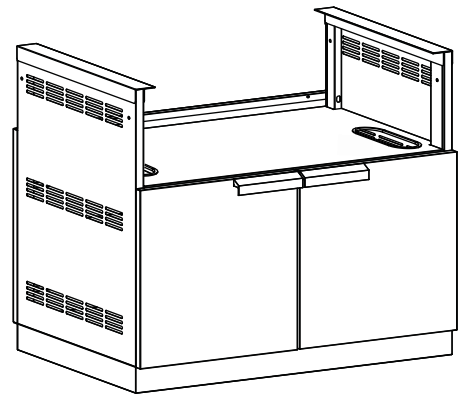
Les instructions suivantes s'appliquent aux armoires ci-dessous.



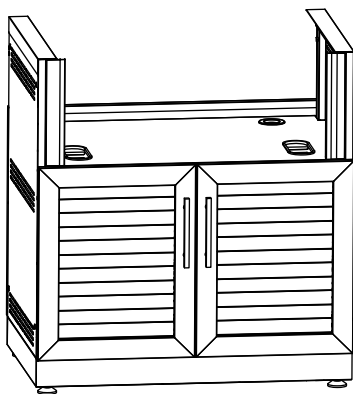
Armoire de 33 po pour
gril encastrable
SKU# 65047
SKU# 70007



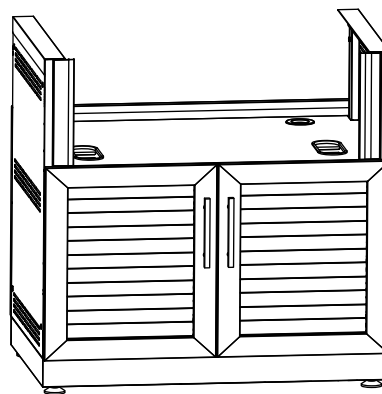
Armoire de 36 po pour
gril encastrable
SKU# 65048
SKU# 70008



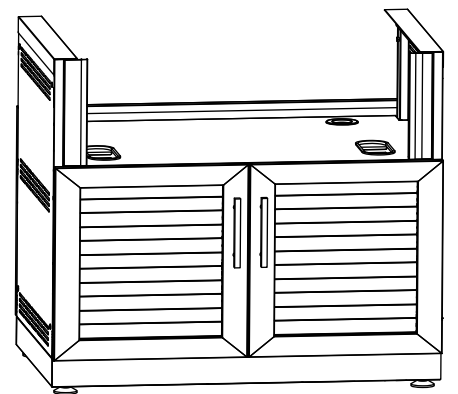
Armoire de 40 po pour
gril encastrable
SKU# 65049
SKU# 70009



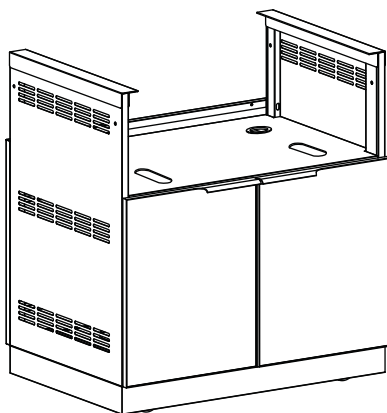
Armoire de 33 po pour
gril encastrable
SKU# 65630
SKU# 70108



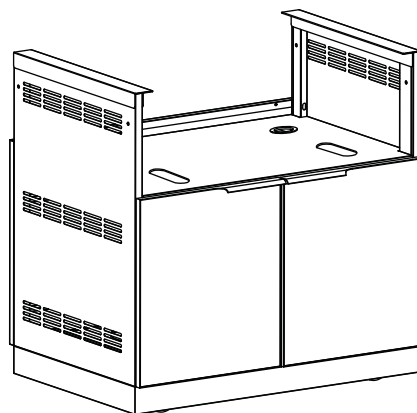
Armoire de 36 po pour
gril encastrable
SKU# 65631
SKU# 70107



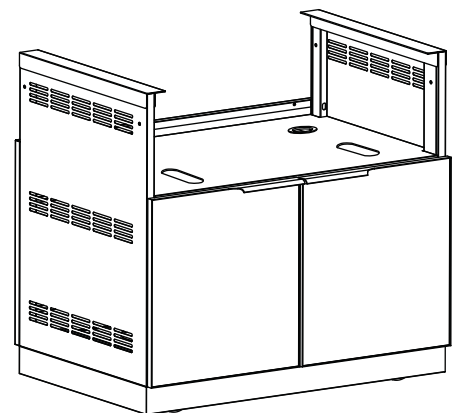
Armoire de 40 po pour
gril encastrable
SKU# 65632
SKU# 70109



Armoire de 33 po pour
gril encastrable
SKU# 65230
SKU# 70208



Armoire de 36 po pour
gril encastrable
SKU# 65231
SKU# 70206

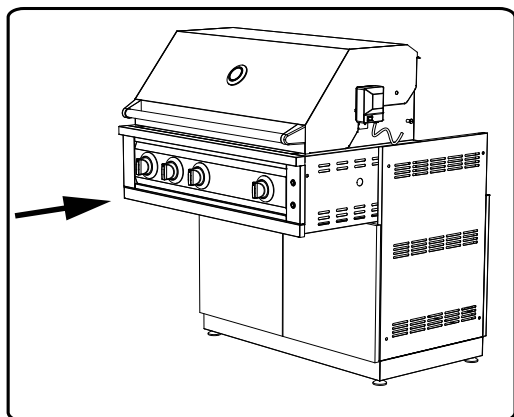


Armoire de 40 po pour
gril encastrable
SKU# 65232
SKU# 70207

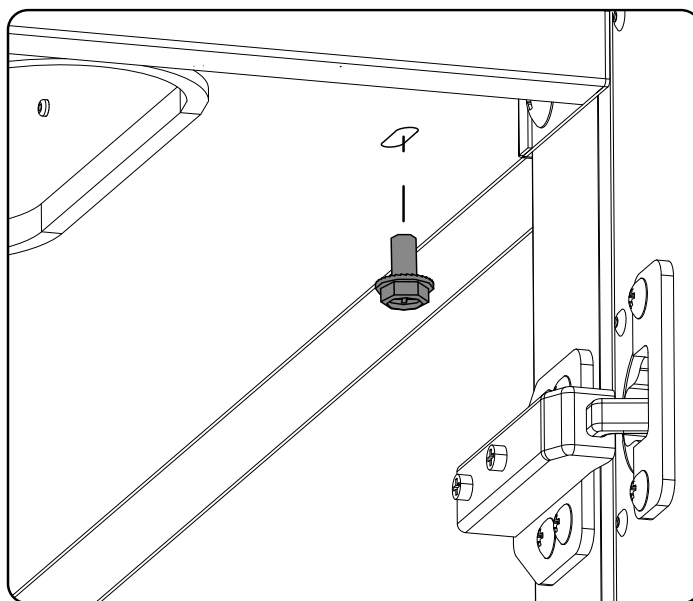
Installation du gril encastrable

Montage des grilles d'insertion NewAge sur les armoires

1 Placez le gril au-dessous de l'armoire.

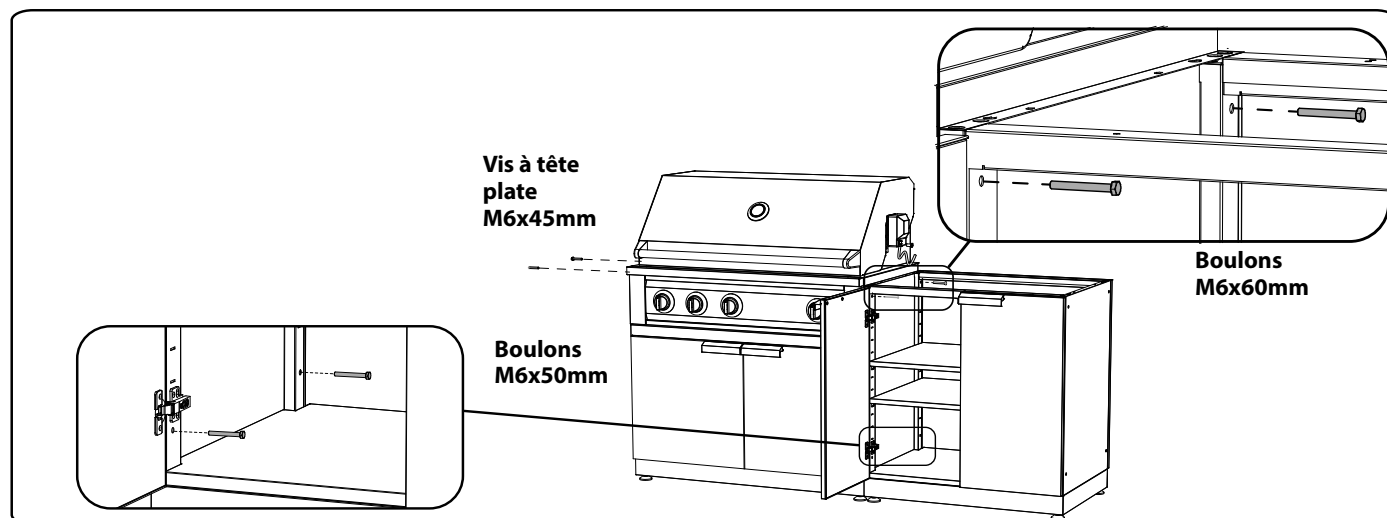


2 Fixez le gril à l'armoire en insérant deux vis à tête hexagonale à bride M6X12 (fournies avec l'armoire) qui s'alignent avec les écrous d'insertion sur le côté inférieur du gril.



Installation du brûleur à sur une armoire de brûleur attachée à d'autres armoires

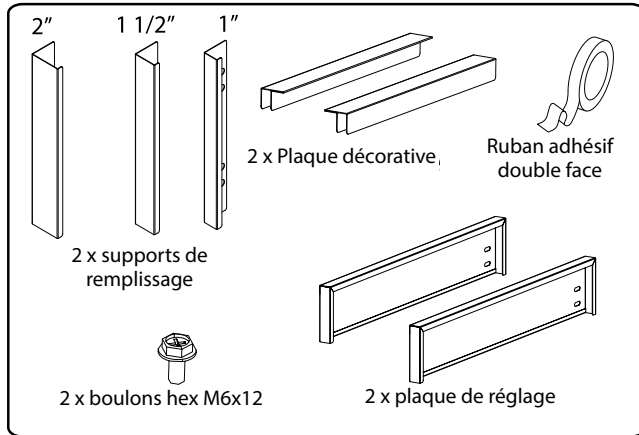
3 Pour ajouter une armoire supplémentaire, fixez les deux armoires à l'aide de deux boulons M6x60 mm dans les trous de montage supérieurs et de deux boulons M6x50 mm dans les trous de montage inférieurs. Suivez la même chose si l'installation d'armoires supplémentaires de l'autre côté, sinon utiliser deux vis à tête plate pour fixer le gril à l'armoire sur l'extrémité ouverte.



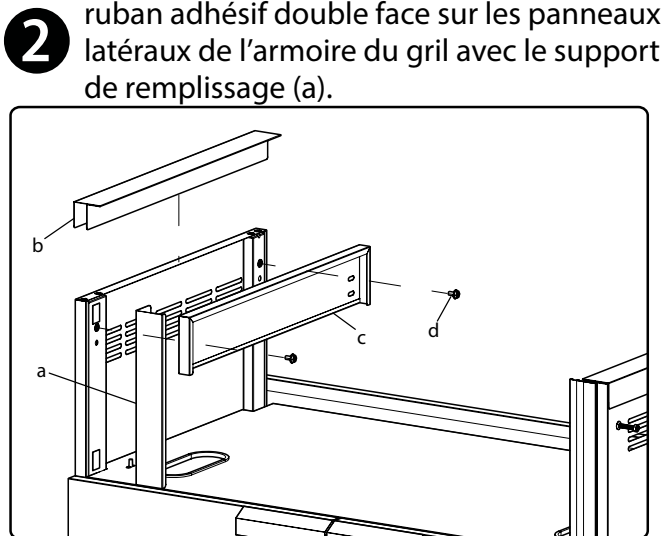
REMARQUE: Pour plus de détails, veuillez consulter le manuel d'installation du gril NewAge fourni avec le gril pour installer le gril NewAge sur l'armoire.

Installation de barbecues personnalisés et du Supports

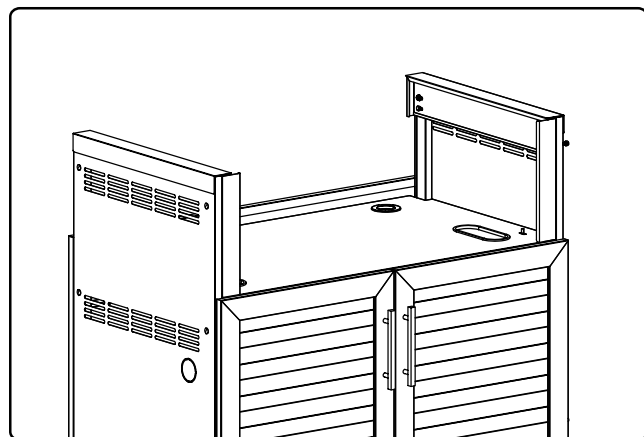
i Pièces nécessaires.



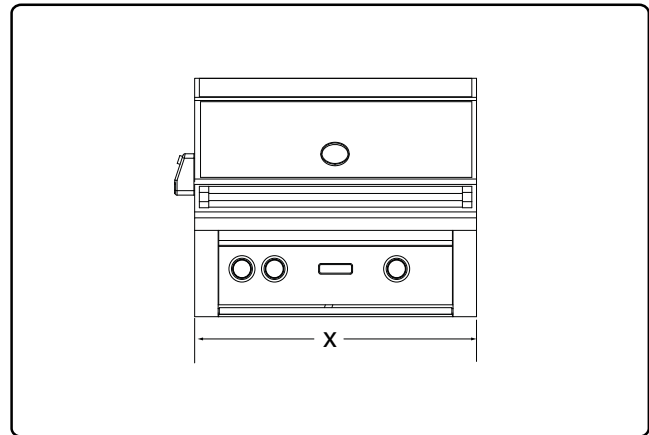
Placez la plaque décorative (b) avec du ruban adhésif double face sur les panneaux latéraux de l'armoire du grill avec le support de remplissage (a).



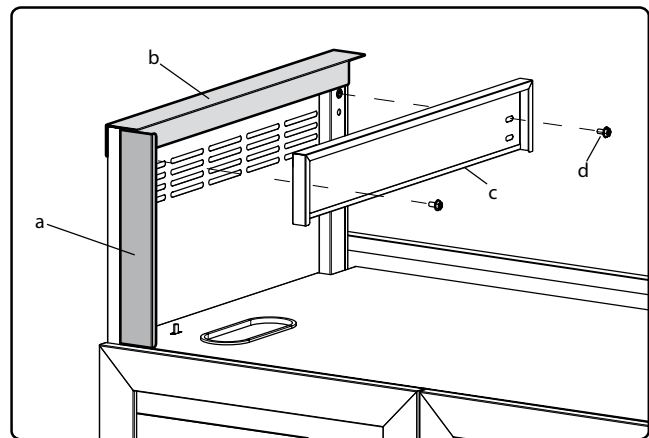
4 Répétez les étapes 2 et 3 pour installer de l'autre côté.



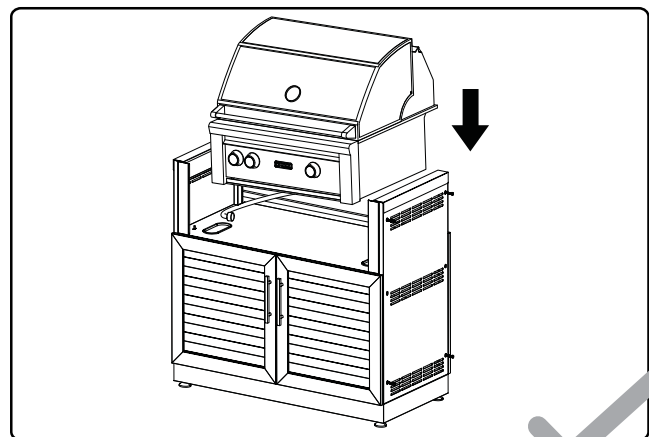
1 Mesurez la longueur "X" du gril à assembler. Sélectionnez les supports de remplissage qui conviennent à la taille de votre gril.



3 Installez la plaque de réglage (c) sur le support de remplissage assemblé avec des boulons hexagonaux (d).



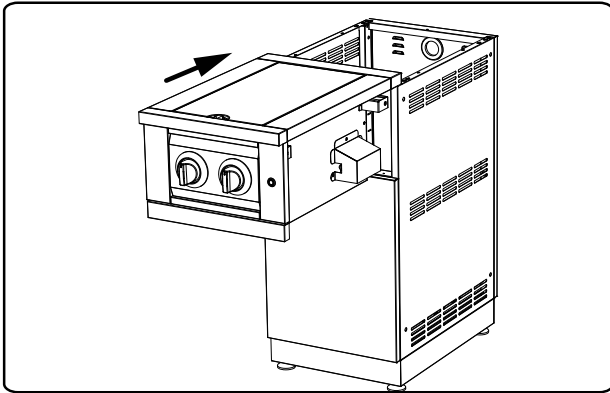
5 Placez le gril de manière à ce que les rails touchent les supports.



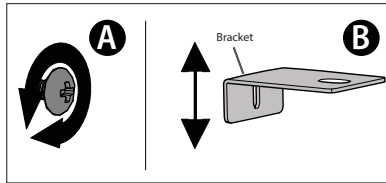
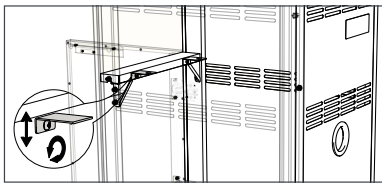
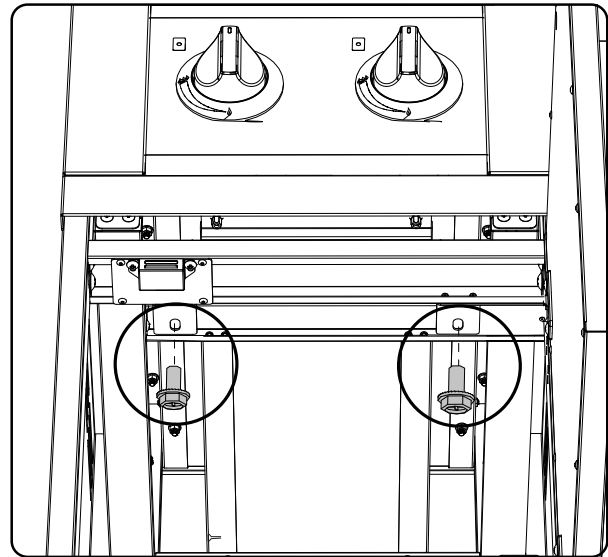
Installation du brûleur latéral NewAge

Installation du brûleur latéral sur une armoire individuelle du brûleur latéral

- 1** Placez brûleur latéral au-dessous de l'armoire.



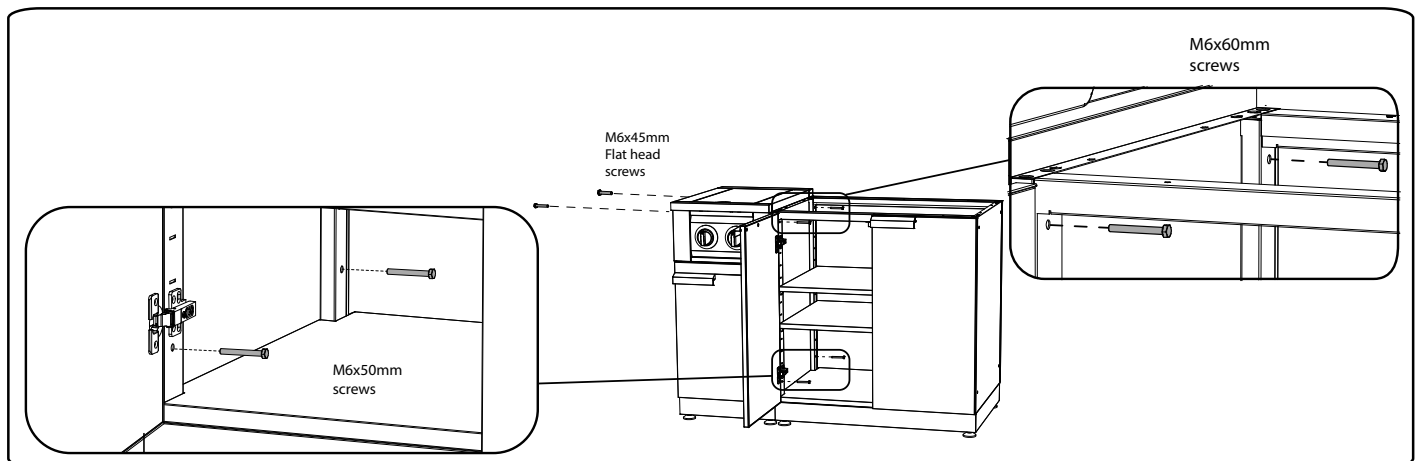
- 2** Utilisez deux vis à tête hexagonale à embase M6X12 (fournies avec l'armoire) pour fixer le brûleur latéral par le bas.



REMARQUE: Pour installer le brûleur latéral par le bas, ouvrez la porte de l'armoire. Desserrez partiellement la vis montée sur les supports (A). Réglez la hauteur du support et nivelez la base du brûleur latéral afin qu'elle repose correctement sur le support (B). Serrez ensuite les Vis.

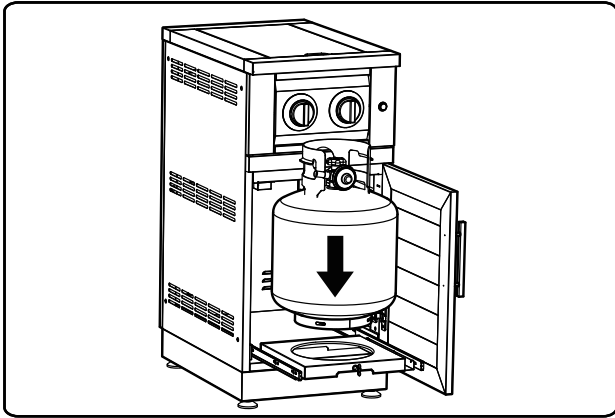
Pour ajouter une armoire supplémentaire, xez les deux armoires à l'aide de deux boulons M6x60 mm dans les trous de montage supérieurs et de deux boulons M6x50 mm dans les trous de montage inférieurs. Suivez la même chose si l'installation d'armoires supplémentaires de l'autre côté, sinon utiliser deux vis à tête plate pour xer le gril à l'armoire sur l'extrémité ouverte.

- 3**

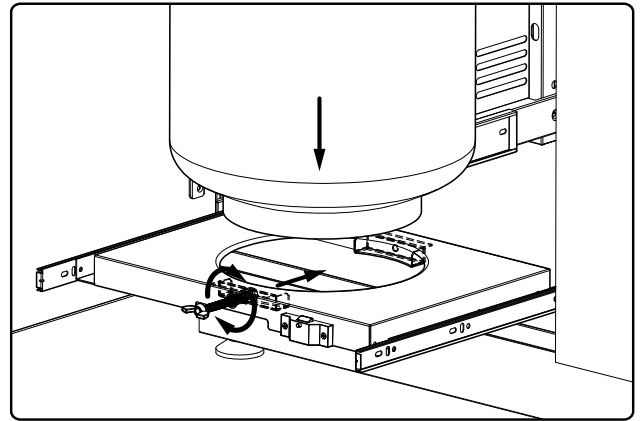


Installation du réservoir de propane

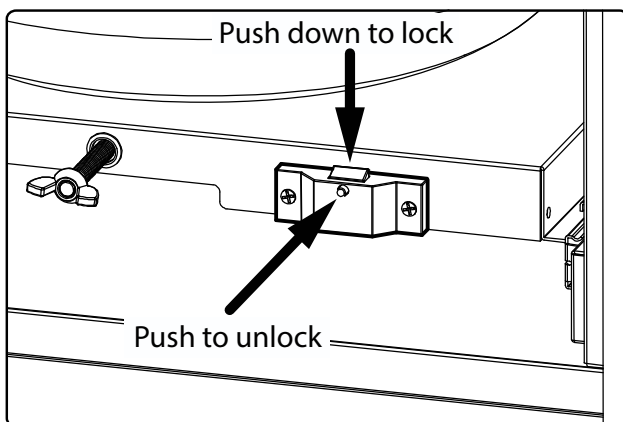
- 1** Placez le réservoir de propane dans l'anneau du plateau du réservoir.



- 2** Tournez le boulon de l'écrou à oreilles jusqu'à ce que l'anneau de serrage du réservoir qui se trouve sous le plateau soit serré contre le réservoir de propane.

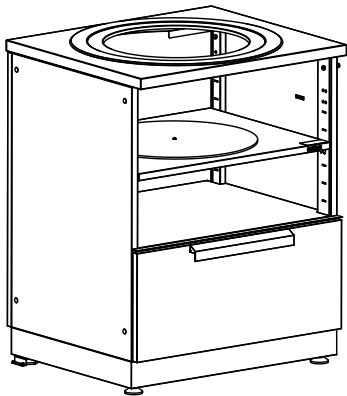


- 3** Une fois que le plateau du réservoir est poussé à l'arrière de l'armoire, verrouillez le plateau du réservoir en appuyant sur le bouton de verrouillage. Appuyez sur le bouton de déverrouillage pour déverrouiller.

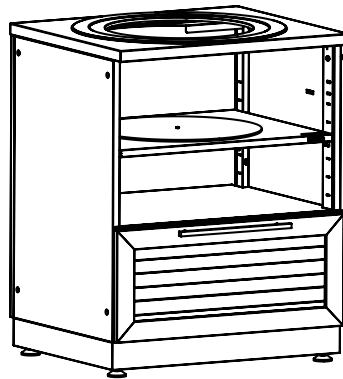


Préparation de l'armoire Kamado

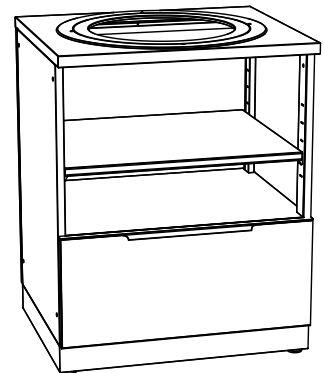
L'armoire Kamado de 28 po



SKU# 65010
SKU# 70006

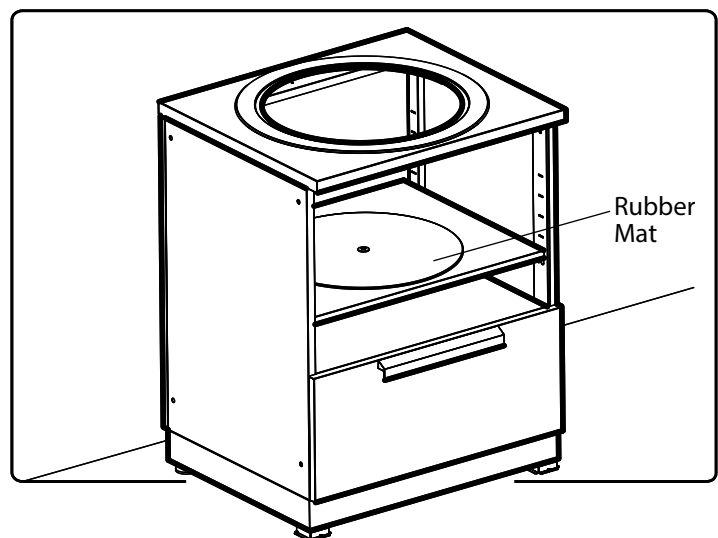
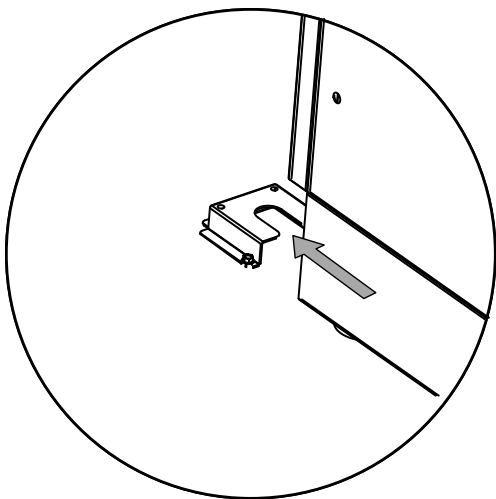


SKU# 65610
SKU# 70106



SKU# 65210
SKU# 70205

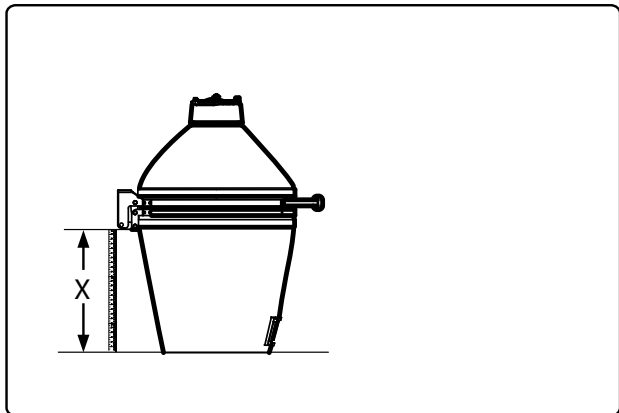
i REMARQUE: Assurez-vous que la zone est nivelée et installez le support anti-basculement. Reportez-vous à la section Installation du support anti-basculement pour plus de détails.



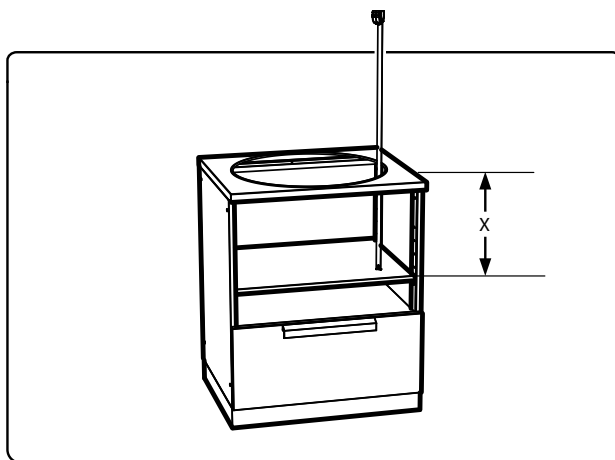
REMARQUE : Placez le tapis en caoutchouc sur le coin salon Kamado.

L'installation d'un Kamado puis au Cabinet

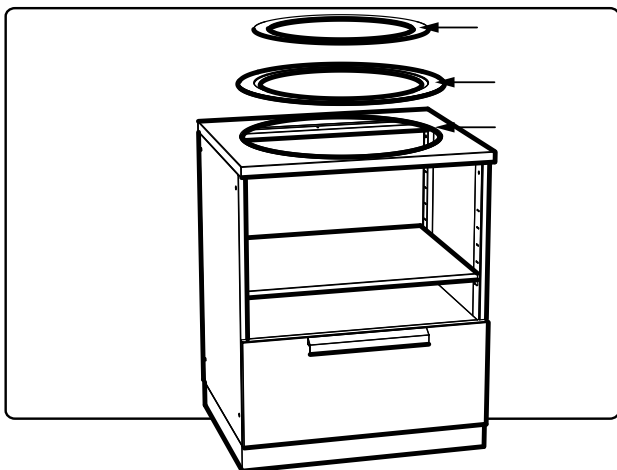
- 1** Mesurer "X" de la base du Kamado à la base du charnière de couvercle a l'arrière du Kamado



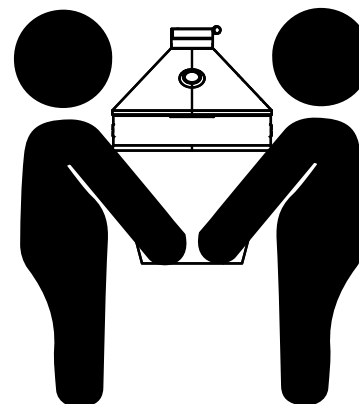
- 2** Ajustez la hauteur de l'étagère à la dimension "X" de l'étape 1.



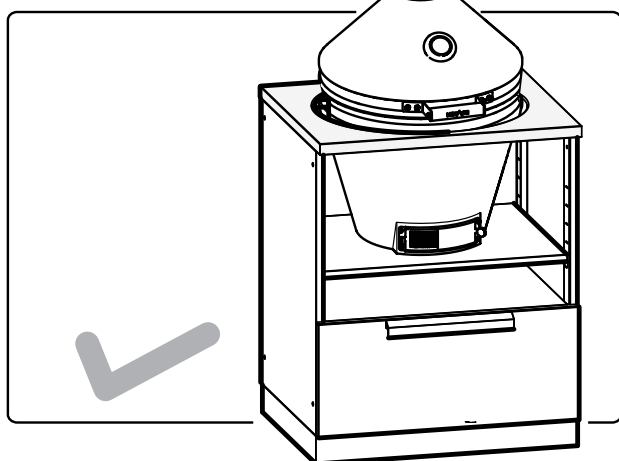
- 3** Sélectionnez un anneau qui s'adapte à votre Kamado et installez-le sur l'armoire.



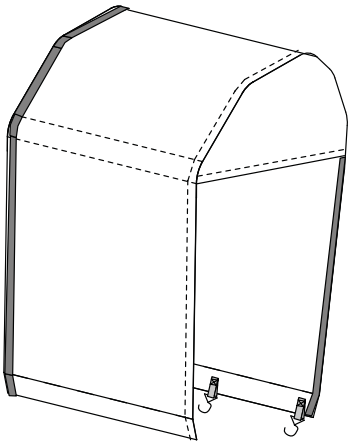
- 4** Soulevez délicatement et placez le kamado dans l'armoire. (2 personnes ou plus peuvent être nécessaires)



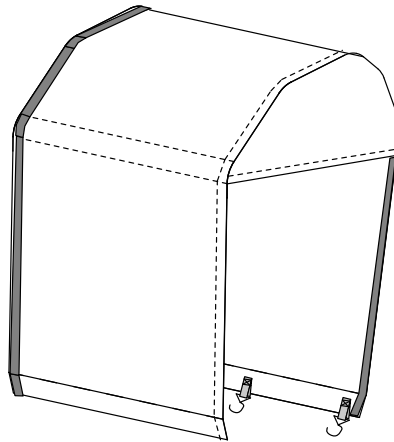
- 5** Protéger le surface avec un chion ou avec un carton.



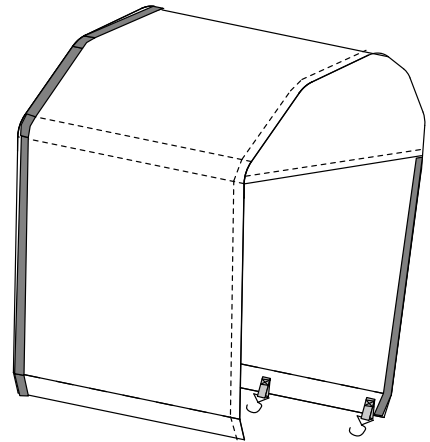
Installation des embouts d'armoire



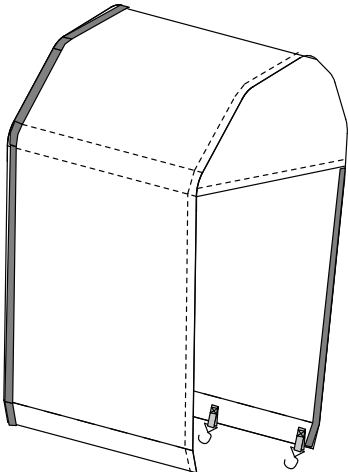
33 po Platine Grill Armoire Couverture noire
SKU# 65877



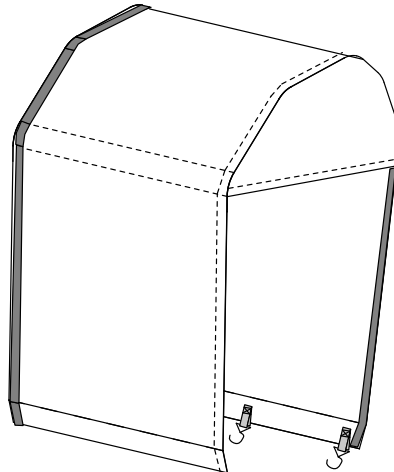
36 po Platine Grill Armoire Couverture noire
SKU# 65885



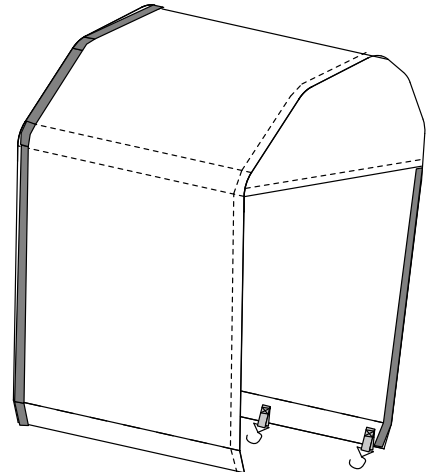
40 po Platine Grill Armoire Couverture noire
SKU# 65878



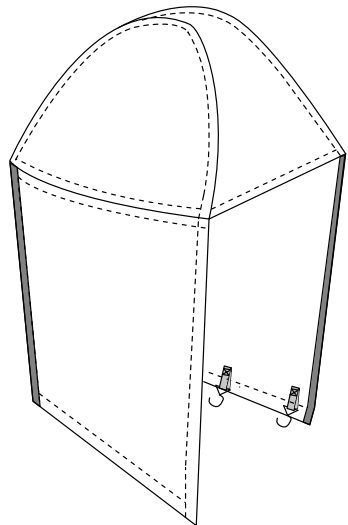
33 po Performance Grill Cabinet Couverture noire
SKU# 65887



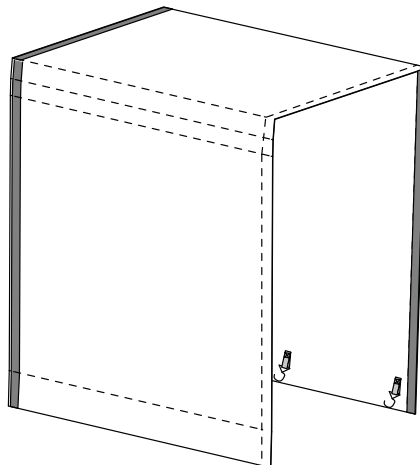
36 po Performance Grill Cabinet Couverture noire
SKU# 65888



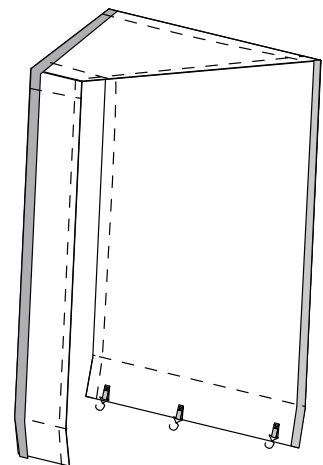
33 po Performance Grill Cabinet Couverture noire
SKU# 65889



Kamado Grande armoire Couverture noire
SKU# 65883

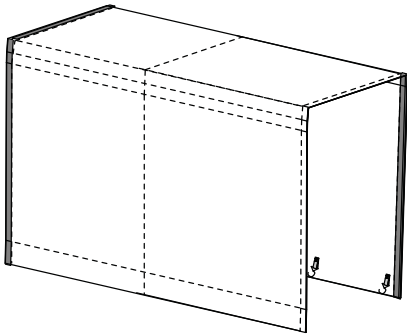


32 po Embouts d'armoire noire
SKU# 65870

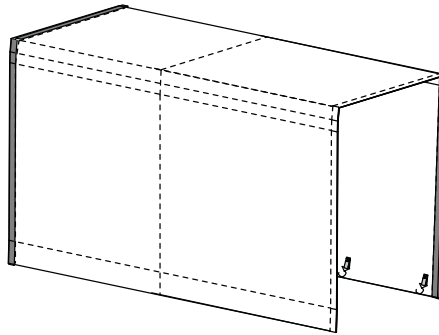


Embouts noire à 45 degrés
SKU# 65875

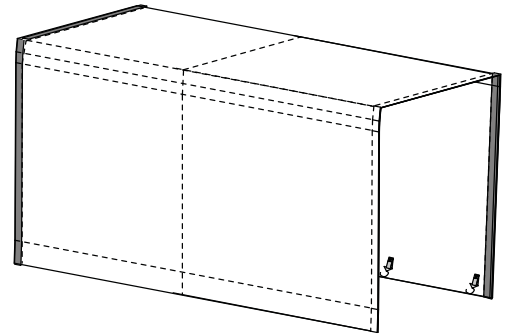
Installation des embouts d'armoire



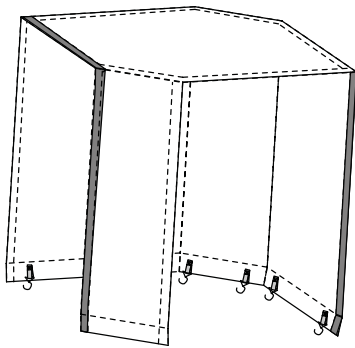
56 po Embouts d'armoire noire
SKU# 65871



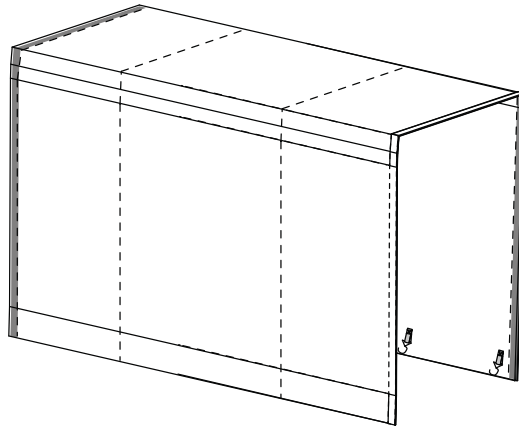
64 po Embouts d'armoire noire
SKU# 65872



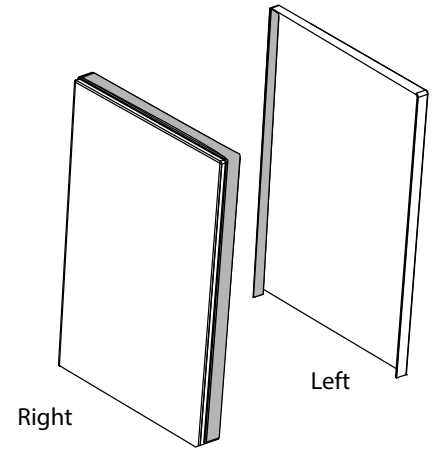
88 po Embouts d'armoire noire
SKU# 65873



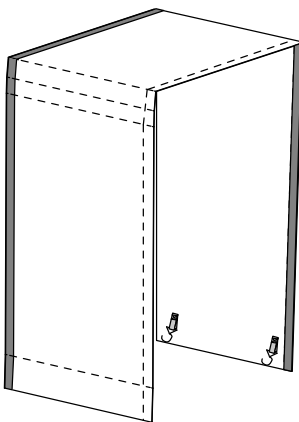
Étagère d'angle à 90 degrés, couverture
noire
SKU# 65876



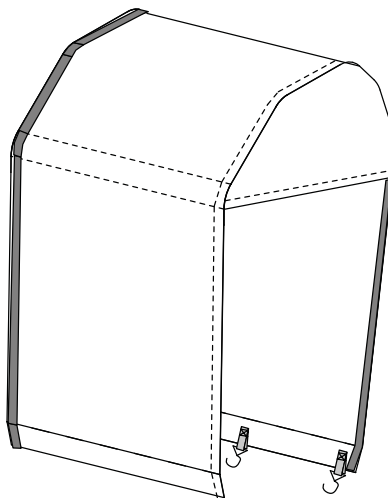
96 po Embouts d'armoire noire
SKU# 65874



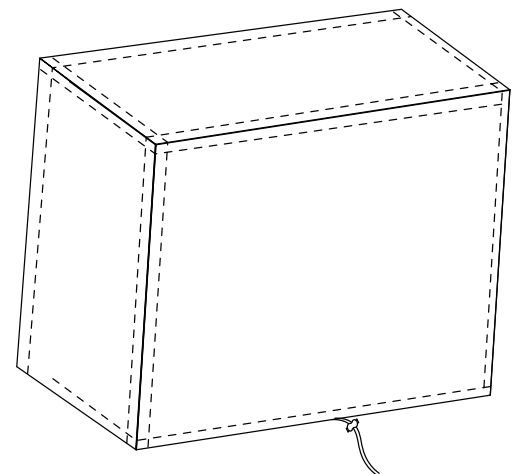
Panneaux latéraux droit et gauche Couverture
noire
SKU# 65881



16 po Embouts d'armoire noire
SKU# 65882



33 po Armoire de four à pizza encastrée
Couverture noire
SKU# 65886



88 po Embouts d'armoire noire
SKU# 65880

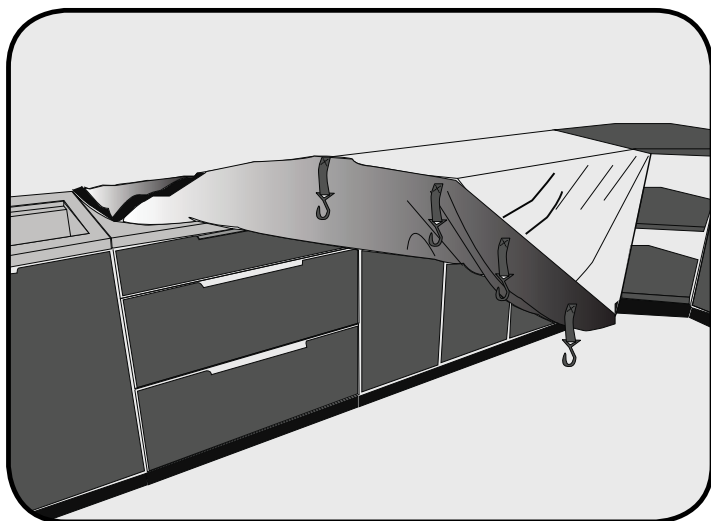
Installation des embouts d'armoire

Liste des couvertures

UGS	Description
65870	Armoires de cuisine extérieures classiques 32 po Embouts d'armoire noire
65871	Armoires de cuisine extérieures classiques 56 po Embouts d'armoire noire
65872	Armoires de cuisine extérieures classiques 64 po Embouts d'armoire noire
65873	Armoires de cuisine extérieures classiques 88 po Embouts d'armoire noire
65874	Armoires de cuisine extérieures classiques 96 po Embouts d'armoire noire
65875	Armoires de cuisine extérieures classiques Embouts noire à 45 degrés(un paquet de 2)
65876	Armoires de cuisine extérieures classiques, étagère d'angle à 90 degrés, couverture noire
65877	Armoires de cuisine d'extérieur classiques 33 po Platine Grill Armoire Couverture noire
65878	Armoires de cuisine d'extérieur classiques 40 po Platine Grill Armoire Couverture noire
65881	Armoires de cuisine d'extérieur classiques Panneaux latéraux droit et gauche Couverture noire
65882	Armoires de cuisine extérieures classiques 16po Embouts d'armoire noire
65883	Armoires de cuisine d'extérieur classiques Kamado Grande armoire Couverture noire
65885	Armoires de cuisine d'extérieur classiques 36 po Platine Grill Armoire Couverture noire
65886	Armoires de cuisine d'extérieur classiques 33 po Armoire de four à pizza encastrée Couverture noire
65887	Armoires de cuisine d'extérieur classiques 33 po Performance Grill Cabinet Couverture noire
65888	Armoires de cuisine d'extérieur classiques 36 po Performance Grill Cabinet Couverture noire
65889	Armoires de cuisine d'extérieur classiques 40 po Performance Grill Cabinet Couverture noire

Installation du couvercle principal de l'armoire

- 1 Retirez le couvercle du sac en polyéthylène. Poser le couvercle sur le dessus de l'armoire.



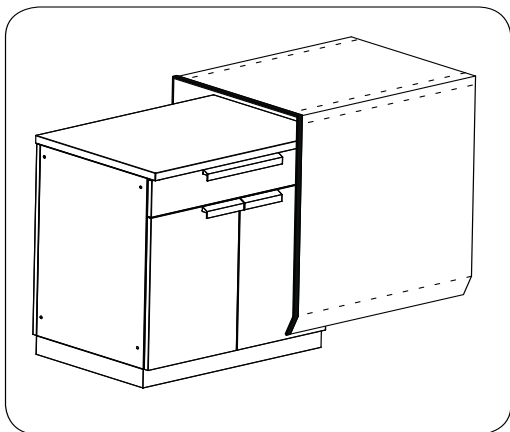
Avertissement : Jeter immédiatement le poly-sac

Ne laissez pas les enfants sans surveillance près des armoires. Pour obtenir de l'aide, appelez le 1.877.306.8930 ; e-mail à support@newageproducts.com

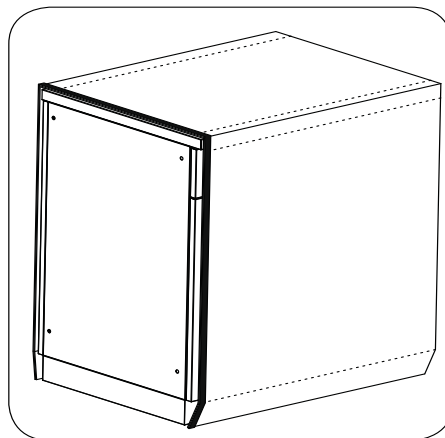
Installation des embouts d'armoire

Installation du couvercle principal de l'armoire

- 2** Assurez-vous que le velcro est sur le côté gauche de l'armoire.



- 3** Couvercle latéral vers la gauche pour s'aligner avec le côté de l'armoire.

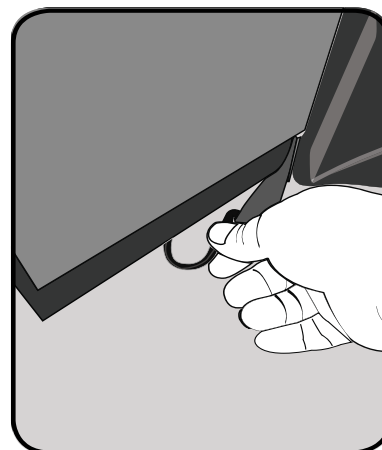


- i** **REMARQUE :** Pour les armoires avec grilles de barbecue et Kamado installés.

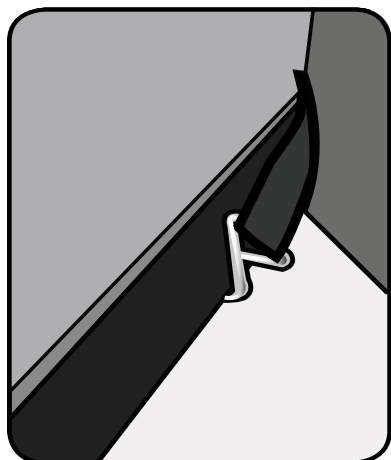


Le couvercle ne doit pas être utilisé lorsque l'unité est en marche et ne doit pas être installé tant que l'unité n'a pas refroidi.

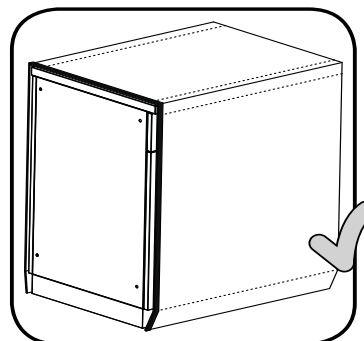
- 4** Repérez les crochets sur le rabat inférieur avant. Tirez sur le crochet en étirant la sangle élastique, placez le crochet sous le bord du coup de pied et faites pivoter de 90 degrés pour l'engager sur le cadre du coup de pied.



- 5** Répétez ce processus pour les deux les crochets à l'avant et à l'arrière volets inférieurs.



- 6** Complété



Installation des embouts d'armoire

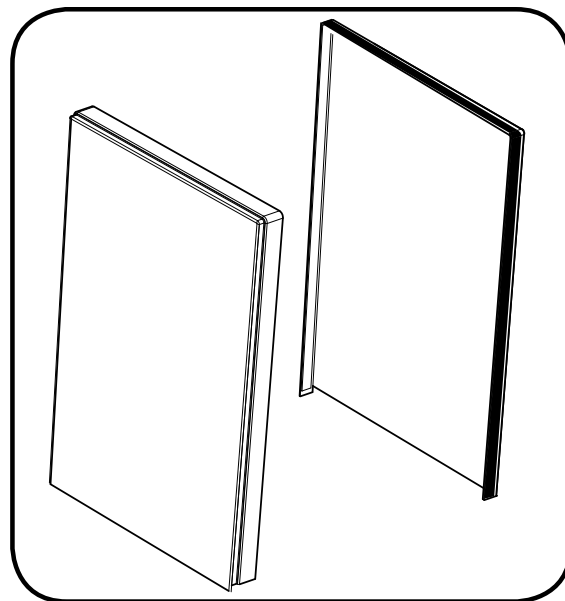
Panneaux latéraux de l'armoire - Installation

1

Retirez les couvercles des panneaux latéraux droit et gauche du sac en polyéthylène.

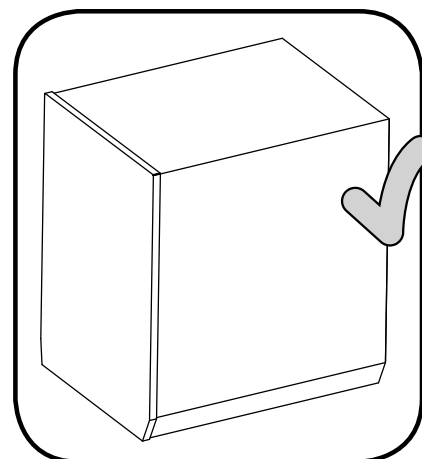
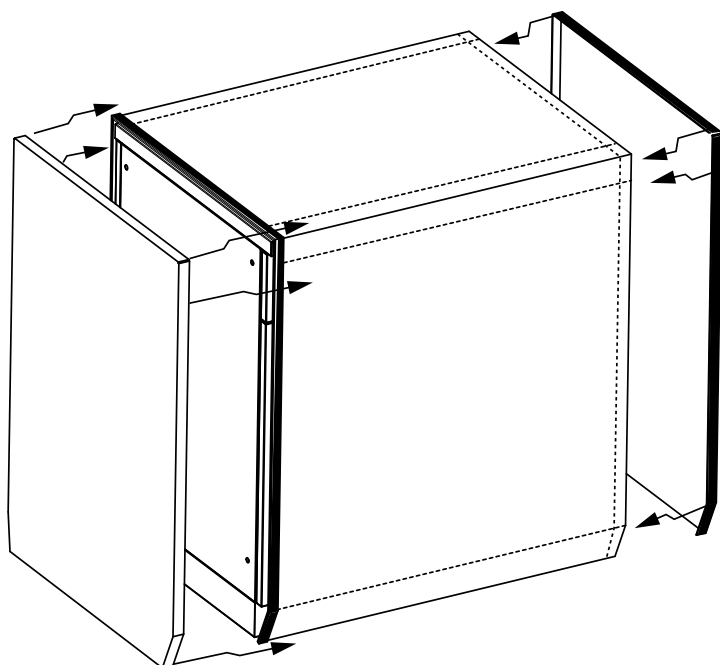
Localisez le panneau latéral droit - Bouclez le ruban adhésif au-dessus de la surface du couvercle, sur le côté droit.

Localisez le panneau latéral gauche - Ruban adhésif sous le panneau, sur le côté gauche.



2

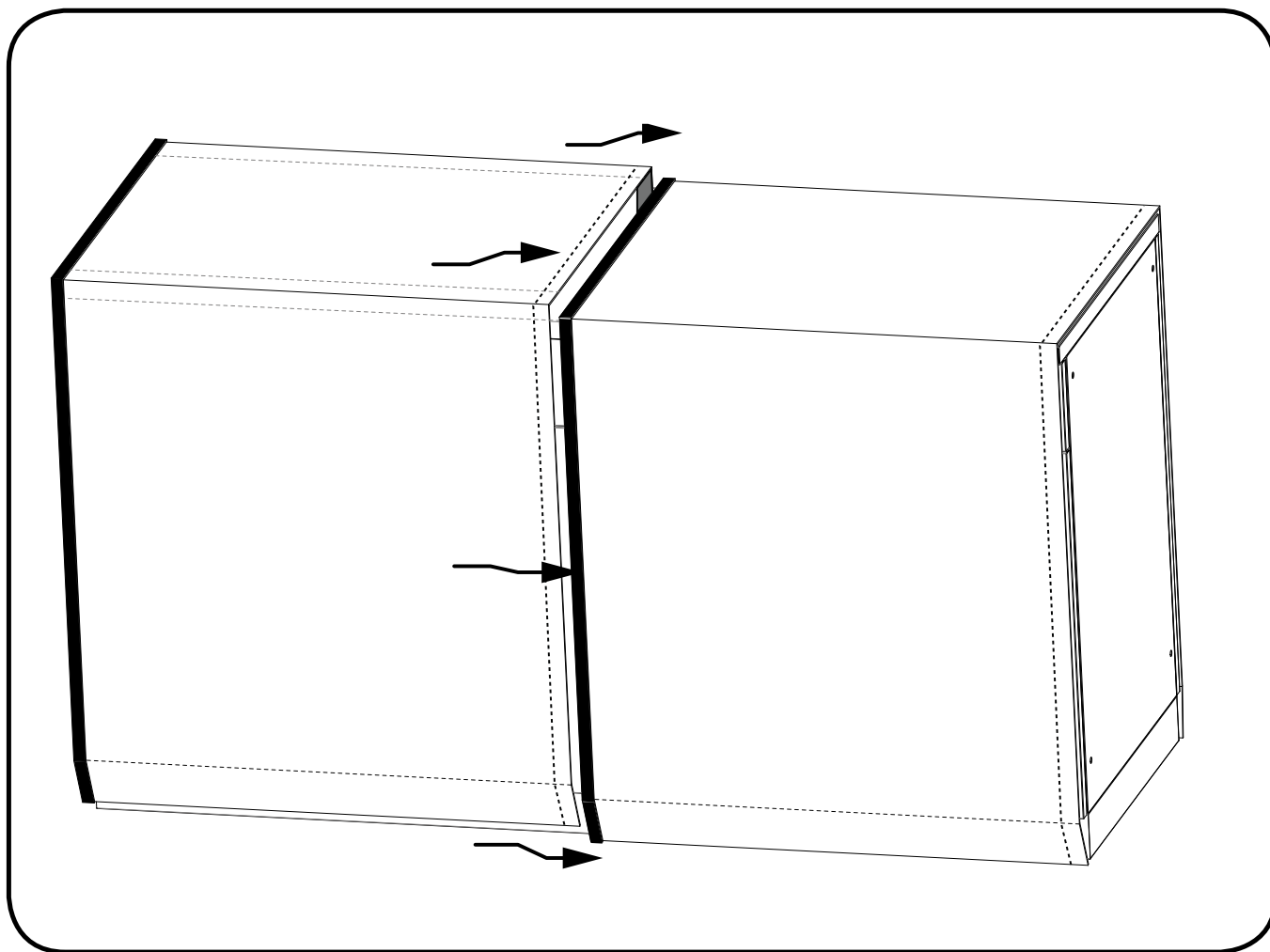
Alignez le crochet velcro de la bande supérieure du panneau latéral gauche et du panneau latéral droit sur la couture du crochet velcro du couvercle du panneau principal.



Installation des embouts d'armoire

Panneaux de connexion d'armoire - Installation

- 1 Superposez la couture Velcro (crochet) du couvercle de l'armoire gauche sur la couture du couvercle de l'armoire droite (boucle). Continuez à attacher les coutures Velcro ensemble sur le devant et le dos des couvertures.



Soins et entretien

Armoires de cuisine extérieures et comptoirs en acier inoxydable

Effectuer un entretien régulier

1. Laver régulièrement avec de l'eau douce propre, un détergent doux et un chiffon en microfibre.
2. Après le lavage, rincez à l'eau claire et essuyez la surface avec votre chiffon en vous rappelant d'aller dans le sens du grain de l'acier inoxydable brossé.
3. En règle générale, vous devez laver votre acier inoxydable tous les trois mois. Zones côtières ou à côté d'une piscine de chlore plus fréquemment toutes les 2 semaines.
4. N'utilisez pas de nettoyeurs abrasifs ou de tampons à récurer de quelque type que ce soit, car ils causeraient une usure excessive et terniraient la finition.
5. Les finitions en acier inoxydable dans les environnements côtiers peuvent montrer des taches de thé si elles ne sont pas lavées régulièrement. Nous recommandons Hopes "Perfect Stainless" comme nettoyeur avec un chiffon en microfibre.
6. Pour une meilleure protection, utilisez une fine couche de protecteur sur la surface. Nous ne recommandons pas d'utiliser ce revêtement pour les zones de préparation des aliments.

Liste des conditions courantes qui provoquent la corrosion ou la décoloration de l'acier inoxydable et doivent être évitées :

1. Nettoyeurs au chlorure – y compris l'eau de Javel et tout nettoyeur contenant du javellisant
2. Acide muriatique (acide chlorhydrique) – couramment utilisé pour nettoyer des carreaux/du béton après l'installation
3. Résidu de savon concentré – les additifs chimiques entraînent une altération de couleur et certains savons séchés ressemblent à de la rouille
4. Eau à forte teneur en fer – elle peut laisser des traces de rouille, surtout si elle dégoutte continuellement.
5. Contact avec des matières ferreuses – y compris la laine d'acier et les résidus/la poussière de fer produits par l'installation ou le nettoyage d'autres objets en acier.
6. Humidité emprisonnée entre la surface et tout objet – tapis de caoutchouc, boîtes métalliques ou cannettes de nettoyeurs. Laisser sécher complètement les armoires avant de poser un objet dessus.
7. Sels – contiennent du chlorure
8. Chaleur extrême produite par une flamme
9. Ne laissez aucune tache de jus d'agrumes ou de tomate sur les surfaces en acier inoxydable.
10. N'utilisez pas de nettoyeur abrasif, de tampon de laine d'acier ni de chiffon abrasif, car ils égratigneront la surface

Faites briller l'acier inoxydable

Si l'acier inoxydable de vos armoires a l'air terne, il existe quelques moyens de lui redonner l'éclat qu'il avait à l'état neuf.

À l'aide d'une éponge mouillée à l'eau claire, frottez doucement dans le sens du grain. Si la tache ne s'enlève pas, il pourra être nécessaire d'employer un nettoyeur pour acier inoxydable. Appliquez le nettoyeur et frottez doucement. Après le nettoyage, il est important de rincer l'acier inoxydable à l'eau claire et de le polir avec un chiffon doux. Rappelez-vous de toujours frotter dans le sens du grain, JAMAIS dans le sens contraire, ce qui abîmerait la surface et ternirait le fini brillant de l'acier inoxydable. S'il faut absolument utiliser un tampon à récurer, choisissez un tampon en plastique Scotchbrite qui ne contient pas de métal.

Soins et entretien

Comptoirs en granit

Le consommateur est responsable de l'utilisation et de l'entretien appropriés du comptoir de granit, veuillez consulter les points suivants qui doivent être suivis.

L'Usage :

À faire :

- Utilisez des sous-verres pour les tasses, les verres et les bouteilles, en particulier l'alcool ou les boissons acides, car ils ont potentiel de tacher la pierre de granit.
- Utilisez une plaque chauffante pour les plats chauds, les boissons et les casseroles et poêles. Les casseroles et poêles chaudes peuvent tacher/brûler le granit.

Ne pas :

- N'utilisez pas directement le dessus en granit comme surface de coupe, utilisez une planche à découper pour hacher.
- Ne transformez pas votre plan de travail en table ou plan de travail, des objets lourds sont tombés dessus peut facilement fissurer ou endommager le granit, et les objets pointus peuvent rayer la surface.
- Ne laissez pas dehors sans couvercles si les comptoirs ne sont pas scellés.
- Ne laissez pas de désordre sur le comptoir car il peut laisser des empreintes ou des taches au fil du temps.

Entretien :

À faire :

- Utilisez une solution douce d'eau tiède et de savon pour enlever la saleté et la crasse.
- Utilisez un chiffon doux pour nettoyer la surface.

Ne pas :

- N'utilisez pas de brosse ou de tampon à récurer ou tout autre instrument similaire avec des surfaces rugueuses.
- N'utilisez pas de vinaigre, d'eau de javel, d'ammoniac, d'autres nettoyeurs à usage général, de nettoyeurs pour salle de bain ou de baignoire et nettoyeurs de carreaux.
- N'utilisez pas de nettoyeurs abrasifs tels que des nettoyeurs à sec ou des nettoyeurs doux.
- N'utilisez pas de nettoyeurs alcalins non spécifiquement formulés pour la pierre.
- N'utilisez pas de jus de citron, d'huiles ou de substances acides pour nettoyer le granit.
- Ne renversez pas de substances acides comme la sauce tomate, le café ou le vin sur votre plan de travail. Nettoyer renverse immédiatement pour minimiser les dommages permanents au granit.

Housses en tissu

Enlèvement du sol léger

- Laver régulièrement avec de l'eau douce propre, un détergent doux et une brosse à poils en plastique souple.
- Après le lavage, rincez à l'eau claire et suspendez les housses pour les faire sécher.
- Généralement, vous devez laver vos housses tous les 2 mois. Zones côtières ou à côté d'une piscine de chlore plus fréquemment toutes les 2 semaines.
- N'utilisez pas de nettoyeurs abrasifs ou de tampons à récurer de quelque type que ce soit, car ils causeraient une usure excessive et abraseraient la finition des couvercles.
- Les couvertures dans les environnements côtiers peuvent présenter des taches blanches de poudre de sel si elles ne sont pas lavées régulièrement.

Pièces de rechange

Description de la pièce de rechange	Numéro de pièce d'ingénierie	UGS	UGS	UGS
		Acier Inoxydable	Verre gris Aluminium	Grove en acier inoxydable
OKC SS Ensemble de porte D/G 2 portes/évier	OKC1-07.004A-01, OKC1-07.005A-01	65015	-	-
OKC SS Ensemble de porte D/G 33" IGC	OKC1-05.004A-01, OKC1-05.005A-01	65016	-	-
OKC SS Ensemble de porte D/G BAR	OKC1-11.003A-01, OKC1-11.004A-01	65017	-	-
OKC SS Tiroir Avant - Top 3 Tiroir/ Barre	OKC1-09.002.01A-01	65018	-	-
Avant de tiroir OKC SS - Tiroir BTM/ MID 3	OKC1-09.003.01A-01	65019	-	-
Porte OKC SS 45 degrés (ensemble de 2)	OKC1-03.003A-01	65020	-	-
OKC SS Organisateur de tiroir	OKC1-09.002.04A-01, OKC1-09.002.05A-01	65021	-	-
OKC SS Robinet rabattable	H00097A-01	65022	-	-
OKC SS Poignée de tiroir	OKC1-09.004A-01	65024	-	-
OKC SS Poignée de porte	OKC1-03.003.04A-01	65025	-	-
OKC SS Ensemble de quincaillerie - Série Cabinet	H00467A-01, H00402A-01, H00200A-01, H00210A-01	65026	-	-
OKC SS Étagère (2 portes)	OKC1-07.006A-01	65027	-	-
OKC SS Charnières de porte (jeu de 4 + 24 vis)	H00206A-01	65028	-	-
OKC SS Ensemble de quincaillerie - Armoires à 45 degrés	H00467A-01, H00465A-01, H00210A-01	65029	-	-
OKC SS Ensemble de quincaillerie - Étagère à 90 degrés	H00198A-01, H00200A-01, H00204A-01, H00199A-01	65030	-	-
OKC Vis à tête cylindrique pour plan de travail (paquet de 4)	H00204A-01	65031	-	-
OKC Tressé SS Bande rouge/bleue Tuyaux d'alimentation en eau pour évier	H00097.001A-01	65032	-	-
OKC SS IGC Tiroir réservoir amovible de 33 po	OKC1-05.006A-01-SS	65033	-	-
OKC SS Tiroir supérieur (armoire de bar)	OKC1-09.002A-01	65035	-	-

Description de la pièce de rechange	Numéro de pièce d'ingénierie	UGS	UGS	UGS
		Acier Inoxydable	Verre gris Aluminium	Grove en acier inoxydable
OKC SS Tiroir supérieur (armoire à 3 tiroirs)	OKC1-09.002A-01	65036	-	-
OKC SS Tiroir supérieur (chariot de bar)	OKC1-09.002A-01	65037	-	-
OKC SS Ensemble de porte D/G 40 po IGC	OKC1-04.004A-01	65039	-	-
OKC SS Porte pour armoire à brûleur latéral	OKC1-06.004A-01	65040	-	-
OKC SS Façade de tiroir - Kamado	OKC1-12.006.01A-01	65041	-	-
OKC SS Coup-de-pied pour barbecue de 33 po	OKC1-05.002A-01-SS	65044	-	-
OKC SS Coup-de-pied pour barbecue de 40 po	OKC1-04.002A-01-SS	65045	-	-
OKC Évier de 32 po	H00112A-01	65046		
OKC Ensemble de porte en verre gris alun D/G 2 portes/lavabo	OKC1-35.001A.01, OKC1-35.002A.01	-	65215	-
OKC Ensemble de porte en verre gris alun D/G 33po IGC	OKC1-32.002A-01, OKC1-32.001.05A-01	-	65216	-
OKC Ensemble de porte en verre gris alun D/G BAR	OKC1-38.001A-01, OKC1-38.002A-01	-	65217	-
OKC Façade de tiroir en verre gris alun - 3 tiroirs supérieurs/barre	OKC1-36.001.01A-01	-	65218	-
OKC Façade de tiroir en verre gris alun - BTM/MID 3 tiroirs	OKC1-36.002.01A-01	-	65219	-
OKC Portes à 45 degrés en verre gris alun (ensemble de 2)	OKC1-30.001A-01	-	65220	-
OKC Etagère Gris Alun (2 Portes)	OKC1-08.003A-01	-	65221	-
OKC Charnières de porte en alun (jeu de 4 + 24 vis)	H00206A-01	65222		
OKC Séchoir pour évier en aluminium	OKC1-08.006A-01	-	65223	-
OKC Armoire murale à portes vitrées gris alun	OKC1-40.001.01A-01	-	65224	-

Description de la pièce de rechange	Numéro de pièce d'ingénierie	UGS	UGS	UGS
		Acier Inoxydable	Verre gris Aluminium	Grove en acier inoxydable
OKC Plateau de réservoir coulissant en aluminium 33" IGC	OKC1-05.006A-01-GR	-	65233	-
OKC Tiroir supérieur gris alun (armoire de bar)	OKC1-36.001A-01	-	65235	-
OKC Tiroir supérieur gris alun (armoire à 3 tiroirs)	OKC1-36.002A-01	-	65236	-
OKC Ensemble de porte en verre gris alun D/G 40po IGC	OKC1-31.001A.01, OKC1-31.002A.01	-	65239	-
OKC Porte en verre gris alun pour armoire à brûleur latéral	OKC1-33.001A-01	-	65240	-
OKC Façade de tiroir en verre gris alun - Kamado	OKC1-39.001.01A-01	-	65241	-
OKC Porte vitrée alu 33" BBQ Coup de pied	OKC1-32A-01-BK	-	65244	-
OKC Coup-de-pied pour BBQ de 40 po avec porte vitrée en alu	OKC1-20.001A-01-BK	-	65245	-
OKC SS Grove Ensemble de porte D/G 2 portes/lavabo	OKC1-23.002A-01, OKC1-23.003A-01	-	-	65615
OKC SS Grove Ensemble de porte D/G 33po IGC	OKC1-21.002A-01, OKC1-21.003A-01	-	-	65616
OKC SS Grove Ensemble de porte D/G BAR	OKC1-27.001A-01, OKC1-27.002A-01	-	-	65617
OKC SS Grove Façade de tiroir - 3 tiroirs supérieurs/barre	OKC1-25.001.01A-01	-	-	65618
OKC SS Grove Façade de tiroir - BTM/MID 3 tiroirs	OKC1-25.002.01A-01	-	-	65619
OKC SS Grove Porte à 45 degrés (ensemble de 2)	OKC1-19.002A-01	-	-	65620
OKC SS Grove Tiroir supérieur (armoire de bar)	OKC1-25.001A-01	-	-	65635
OKC SS Grove Tiroir supérieur (armoire à 3 tiroirs)	OKC1-25.001.01A-01	-	-	65636
OKC SS Grove Ensemble de porte D/G 40po IGC	OKC1-20.002A-01, OKC1-20.003A-01	-	-	65639
OKC SS Grove Porte pour armoire à brûleur latéral	OKC1-22.002A-01	-	-	65640

Description de la pièce de rechange	Numéro de pièce d'ingénierie	UGS	UGS	UGS
		Acier Inoxydable	Verre gris Aluminium	Grove en acier inoxydable
OKC SS Grove Façade de tiroir - Kamado	OKC1-28.002.01A-01	-	-	65641
OKC SS Grove Coup de pied pour barbecue de 33 po	OKC1-21A-01-BK	-	-	65644
OKC SS Grove Coup de pied pour barbecue de 40 po	OKC1-20.001A-01-BK	-	-	65645
OKC SS Grove Poignée en acier inoxydable de 13,75 po	OKC1-25.003A-01	-	-	65646
OKC SS Grove Poignée en acier inoxydable de 7,25 po	OKC1-19.003A-01			65647
OKC Plateau de décoration pour armoire de bar	H00242A-01	65840		
OKC Choc à gaz pour armoire murale	H00246A-01	65841		
OKC Bac à glaçons pour armoire de bar	OKC1-11.011A-01	65842		
OKC Porte-couteau pour armoire d'évier	OKC1-08.005A-01	65843		
OKC Clip d'étagère	OKC1-07.007A-01	65844		
OKC Niveleur de sol	H00196A-01	65845		
OKC Support intérieur de gril d'armoire de gril d'insertion de 40 po	OKC1-04.011A-01	65846		
OKC Insérez le support de gril d'armoire de gril	OKC1-04.010A-01	65847		
OKC Poubelle grise	H00241A-01	65860		
OKC Ensemble de glissières de tiroir 14" (une paire + 12 vis) - Tiroir pour chariot de bar		65862		
OKC Ensemble de coulisses de tiroir 16" (une paire + 12 vis) - Tiroir de bonbonne de propane	H00217A-01	65863		
OKC Ensemble de glissières de tiroir 20" (une paire + 12 vis) 3 tiroirs DRW / Bar Cab	H00240A-01	65864		

Description de la pièce de rechange	Numéro de pièce d'ingénierie	UGS		
		Acier Inoxydable	Verre gris Aluminium	Grove en acier inoxydable
OKC Ensemble de coulisses de tiroir 20" (une paire + 12 vis) - Bac à glaçons / Poubelle sur meuble bar	H00233A-01	65865		
OKC Insérer les supports de remplissage de l'armoire du gril	OKC1-04.013A-01, OKC1-04.014A-01, OKC1-04.015A-01	65890	65891	-
OKC Support anti-basculement de l'armoire	OKC1-09.006A-01	65892		
OKC Armoire de gril SS Grove 36 po Coup-de-pied	OKC1-55.002A-01-SS	-	-	65893
OKC Armoire de gril SS Alum 36 po Coup-de-pied	OKC1-55.002A-01-BK	65894		-
OKC Ensemble de porte d'armoire de gril en acier inoxydable 36 po	OKC1-55.004A-01, OKC1-55.005A-01	65895	-	-
OKC Ensemble de porte d'armoire pour gril Grove de 36 po	OKC1-56.001A-01, OKC1-56.002A-01	-	-	65896
OKC Ensemble de porte d'armoire de gril en verre gris alun 36 po	OKC1 57.001A.01, OKC1 57.002A.01	-	65897	-
OKC Casier à vin	OKC1-11.010A-01	65968		
OKC SS 40" IGC Plateau de réservoir coulissant	OKC1-04.009A-01 H00204A-01 H00215A-01	67800	-	-
IGC Étagère fixe SS 40"(avec 4 vis)	OKC1-04.012A-01 H00204A-01	67801	-	-
OKC SS 36" IGC Tiroir de réservoir amovible (avec 6 vis et 6 écrous)	OK2-129.005A-01 H00204A-01 H00215A-01	67802	-	-
IGC Étagère fixe SS 36"(avec 4 vis)	OKC1-55.006A-01 H00204A-01	67803	-	-
IGC Étagère fixe SS 33"(avec 4 vis)	OKC1-05.007A-01 H00204A-01	67804	-	-
OKC Plateau de réservoir coulissant en aluminium 40" IGC (avec 6 vis et 6 écrous)	OKC1-04.009A-01 H00204A-01 H00215A-01	-	67805	-
IGC Tablette Fixe Alu 40" (avec 4 vis)	OKC1-04.012A-01 H00204A-01	-	67806	-

Description de la pièce de rechange	Numéro de pièce d'ingénierie	UGS	UGS	UGS
		Acier Inoxydable	Verre gris Aluminium	Grove en acier inoxydable
OKC Plateau de réservoir coulissant en aluminium 36" IGC (avec 6 vis et 6 écrous)	OK2-129.005A-01 H00204A-01 H00215A-01	-	67807	-
IGC Tablette Fixe Alu 36" (avec 4 vis)	OKC1-55.006A-01 H00204A-01	-	67808	-
IGC Tablette Fixe Alu 33" (avec 4 vis)	OKC1-05.007A-01 H00204A-01	-	67809	-
OKC SS 16" IGC Tiroir réservoir amovible (avec 6 vis & 6 écrous)	OKC1-06.005.01.01A-01 H00204A-01 H00215A-01	67810	-	-
OKC Plateau de réservoir coulissant en aluminium 16" IGC	OKC1-06.005.01.01A-01 H00204A-01 H00215A-01	-	67811	-
Support de montage (avec 1 vis)	OKC1-06.006A-01 H00204A-01	67812		
Coup de pied à 45 degrés	OKC1-19.001.01A-01	67814	67815	67813
OKC Ensemble de quincaillerie en alun – Série d'armoires pour évier	H00402A-01 H00200A-01 H00210A-01	-	67816	-
Étagère d'angle-Coup de pied SS	OKC1-02.001.01A-01-XX	67817	-	-
OKC Pack matériel - Table de préparation avec plaque de connexion	H00198A-01,H00201A-01, H00204A-01,H00466A-01, H00203A-01,H00204A-01, OKC1-01.004A-01, H00466A-01	67818		
Pieds de table de préparation	H00191A-01	67820		
Coup de pied SS Grove 32po	OKC1-23.001A-01	-	-	67821
Coup de pied de 32 pouces	OKC1-07.002A-01	67822	67823	-
Étagère OKC SS (évier)	OKC1-08.003A-01	67824	-	-
OKC Ensemble de quincaillerie - Armoire à 3 tiroirs	H00467A-01,H00231A-01, H00198A-01,H00200A-01, H00210A-01,H00232A-01	67825	-	67825
OKC Ensemble de quincaillerie en aluminium - Armoire à 3 tiroirs	H00231A-01,H00198A-01, H00200A-01,H00210A-01, H00232A-01	-	67826	-

Description de la pièce de rechange	Numéro de pièce d'ingénierie	UGS	UGS	UGS
		Acier Inoxydable	Verre gris Aluminium	Grove en acier inoxydable
OKC Organisateur de tiroir en alun	OKC1-09.002.04A-01, OKC1-09.002.05A-01	-	67827	-
OKC SS Grove Door-Wall Cabinet Door sans poignée ni charnières	OKC1-29.001A-01	-	-	67828
OKC SS Porte d'armoire murale sans poignée ni charnières	OKC1-13.003A-01	67829	-	-
OKC 1.0 Étagère d'armoire murale de 32 po	OKC1-13.004A-01	67830	67831	-
SS Grove Coup de pied de 28 po	OKC1-28.001A-01	-	-	67832
Coup de pied de 28 po	OKC1-12.002A-01	67833	67834	-
Étagère pour armoire Kamado	OKC1-12.004A-01	67835	67836	-
(1X) Support de fixation du plan de travail (4x) vis de montage M4x10mm	OK1-15.003A-01	65225		

ARMOIRES DE CUISINE EXTÉRIEURE CLASSIQUE

GARANTIE DU FABRICANT

UNE PREUVE D'ACHAT EST REQUISE POUR OBTENIR UN SERVICE SOUS GARANTIE.

Veuillez avoir les renseignements suivants lorsque vous appelez notre équipe du service à la clientèle :

- Le nom, l'adresse et le numéro de téléphone
- Le nom du produit / numéro d'UGS
- Une description claire et détaillée du problème
- Une preuve d'achat, y compris un numéro de commande

Enregistrez votre achat de produits NewAge en ligne pour obtenir une assistance à la clientèle plus rapide et un accès à des avantages exclusifs

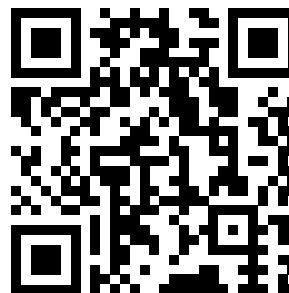
Visitez www.newageproducts.com/register/

Réclamation sous garantie

Pour un service sous garantie, veuillez contacter NewAge Products au **1 877-306-8930**; ou support@newageproducts.com

Veuillez examiner tous les détails de la garantie ci-dessous avant de contacter NewAge Products pour une réclamation.

Balayez le code à barres 2D à droite pour accéder à la page d'assistance ou visitez le www.newageproducts.com/contact-us/



Balayez ce code à barres 2D avec la caméra de votre téléphone mobile pour visiter le centre d'assistance de NewAge Products www.newageproducts.com/support-hub/

GARANTIE LIMITÉE 10 AN

NewAge est fière d'offrir une garantie complète du produit pour une période de. Sous réserve des limitations et des exclusions de responsabilité énoncées ci-dessous ou dans toute autre documentation relative au produit, NewAge fournit les garanties supplémentaires suivantes au client initial ;

Durée de la garantie	Articles couverts par la garantie	Coût pour NewAge	Coût pour le client
10 ans	Intégrité structurelle globale de l'armoire en acier inoxydable	Matériaux	Expédition
2 ans	Glissières de tiroir, charnières de porte, poignées de tiroir et de porte	Matériaux	Expédition
3 ans	Finitions du produit exemptes de défauts pour le client initial	Matériaux	Expédition

CE QUI EST COUVERT

Pendant la durée de la garantie à compter de la date d'achat, lorsque ce produit est installé, utilisé et entretenu conformément aux instructions fournies, NewAge Products Inc. remplacera les pièces ou le produit défectueux, si le bris provient d'un défaut de matériau ou de fabrication.

CE QUI N'EST PAS COUVERT

1. Les appels de service pour corriger l'installation de tout produit NewAge ou pour vous montrer comment l'utiliser ou l'installer
2. Les dommages résultant des produits causés par un accident, une mauvaise utilisation, un abus, un incendie, une inondation, une installation inadéquate, un cas fortuit, une négligence, une modification ou une mauvaise manipulation.
3. Les produits endommagés en raison d'une charge supérieure au poids maximum précisé dans les instructions fournies avec le produit.
4. Les réparations ou le remplacement lorsque votre produit est utilisé pour un usage autre que résidentiel normal, comme dans un milieu commercial, ou manipulé d'une manière incohérente avec les instructions d'installation comprises avec le produit.
5. Des dommages cosmétiques qui se produisent après l'achat du produit par le client, y compris les éraflures, les entailles, la corrosion ou les taches sur le matériau qui n'affecte pas la capacité fonctionnelle ou structurelle du produit.
6. Les surfaces endommagées en raison d'un usage inadéquat de produits chimiques et de détergents.
7. La décoloration due à la chaleur, par exemple à côté d'un gril, est une caractéristique de l'acier inoxydable.
8. La rouille de surfacerésultant des pluies acides ou de produits chimiques dans l'environnement
9. Une perte en raison d'un vol.
10. Des dommages résultant d'une utilisation contraindiquée du produit et non conforme au manuel d'instructions.
11. Tout coût de main-d'oeuvre pendant la période de garantie.

EXCLUSION DE GARANTIES IMPLICITES

DANS LA MESURE PERMISE, LES GARANTIES IMPLICITES, Y COMPRIS LES GARANTIES APPLICABLES DE QUALITÉ MARCHANDE OU DE CONFORMITÉ À UN USAGE PARTICULIER, SONT EXCLUES DANS LA LIMITE OÙ LA LOI LE PERMET. TOUTE GARANTIE IMPLICITE QUI POURRAIT ÊTRE IMPOSÉE PAR LA LOI DOIT SE LIMITER À UN AN, OU À LA PÉRIODE LA PLUS COURTE PERMISE PAR LA LOI. CETTE GARANTIE SE LIMITE À L'ACHETEUR D'ORIGINE. Certains États ainsi que certaines provinces ne permettent pas les limitations sur la durée d'une garantie implicite de qualité marchande ou de conformité, il est donc possible que les limitations ci-dessus ne s'appliquent pas à vous. Cette garantie vous donne des droits légaux particuliers et vous pourriez également disposer d'autres droits variant selon l'État ou la province.

LIMITATION DES RECOURS; EXCLUSION DES DOMMAGES ACCESSOIRES ET INDIRECTS

EN VERTU DE CETTE GARANTIE LIMITÉE, VOTRE SEUL ET UNIQUE RECOURS DOIT ÊTRE LA RÉPARATION OU LE REMPLACEMENT DU PRODUIT, À NOTRE DISCRÉTION, COMME INDIQUÉ AUX PRÉSENTES. NEWAGE NE DOIT PAS ÊTRE TENU RESPONSABLE DES DOMMAGES ACCESSOIRES ET INDIRECTS. Certains États ainsi que certaines provinces ne permettent pas l'exclusion ou la limitation des dommages accessoires ou indirects, il est par conséquent possible que ces limitations et exclusions ne s'appliquent pas à vous. Cette garantie vous donne des droits légaux particuliers et vous pourriez également disposer d'autres droits variant selon l'État ou la province.

COUVERTURES GARANTIE DU FABRICANT

UNE PREUVE D'ACHAT EST REQUISE POUR OBTENIR UN SERVICE SOUS GARANTIE.
Veuillez avoir les renseignements suivants lorsque vous appelez notre équipe du service à la clientèle :

- Le nom, l'adresse et le numéro de téléphone
- Le nom du produit / numéro d'UGS
- Une description claire et détaillée du problème
- Une preuve d'achat, y compris un numéro de commande

Enregistrez votre achat de produits NewAge en ligne pour obtenir une assistance à la clientèle plus rapide et un accès à des avantages exclusifs

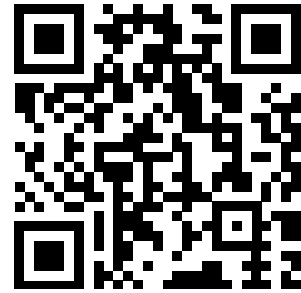
Visitez www.newageproducts.com/register/

Réclamation sous garantie

Pour un service sous garantie, veuillez contacter NewAge Products au **1 877-306-8930**; ou support@newageproducts.com

Veuillez examiner tous les détails de la garantie ci-dessous avant de contacter NewAge Products pour une réclamation.

Balayez le code à barres 2D à droite pour accéder à la page d'assistance ou visitez le www.newageproducts.com/contact-us/



Balayez ce code à barres 2D avec la caméra de votre téléphone mobile pour visiter le centre d'assistance de NewAge Products
www.newageproducts.com/support-hub/

GARANTIE LIMITÉE D'UN AN

CE QUI EST COUVERT

Pendant la durée de la garantie à compter de la date d'achat, lorsque ce produit est installé, utilisé et entretenu conformément aux instructions fournies, NewAge Products Inc. remplacera les pièces ou le produit défectueux, si le bris provient d'un défaut de matériau ou de fabrication.

CE QUI N'EST PAS COUVERT

1. Les appels de service pour corriger l'installation de tout produit NewAge ou pour vous montrer comment l'utiliser ou l'installer.
2. Les dommages aux produits causés par un accident, une mauvaise utilisation, un abus, un incendie, une inondation, une installation inadéquate, un cas fortuit, une négligence, une modification ou une mauvaise manipulation.
3. Les produits endommagés en raison d'une charge supérieure au poids maximum précisé dans les instructions fournies avec le produit.
4. Les réparations ou le remplacement lorsque votre produit est utilisé pour un usage autre que résidentiel normal, comme dans un milieu commercial, ou manipulé d'une manière incohérente avec les instructions d'installation comprises avec le produit.
5. Les dommages cosmétiques, y compris les éraflures, les marques, les entailles ou les fissures qui n'affectent pas la capacité fonctionnelle du produit.
6. Produit endommagé en raison des conditions météorologiques.
7. Décoloration des couleurs due aux UV ou à la lumière du soleil. Le produit peut changer de couleur au fil du temps sous l'effet de la lumière du soleil.
8. Les pièces de rechange pour des produits NewAge à l'extérieur du Canada et des États-Unis.
9. Une perte en raison d'un vol.
10. Les dommages résultant d'une utilisation contraindiquée du produit et non conforme au manuel d'instructions.
11. Tout coût de main-d'œuvre pendant la période de garantie.

EXCLUSION DE GARANTIES IMPLICITES

DANS LA MESURE PERMISE, LES GARANTIES IMPLICITES, Y COMPRIS LES GARANTIES APPLICABLES DE QUALITÉ MARCHANDE OU DE CONFORMITÉ À UN USAGE PARTICULIER, SONT EXCLUES DANS LA LIMITE OÙ LA LOI LE PERMET. TOUTE GARANTIE IMPLICITE QUI POURRAIT ÊTRE IMPOSÉE PAR LA LOI DOIT SE LIMITER À UN AN, OU À LA PÉRIODE LA PLUS COURTE PERMISE PAR LA LOI. CETTE GARANTIE SE LIMITE À L'ACHETEUR D'ORIGINE. Certains États ainsi que certaines provinces ne permettent pas les limitations sur la durée d'une garantie implicite de qualité marchande ou de conformité, il est donc possible que les limitations ci-dessus ne s'appliquent pas à vous. Cette garantie vous donne des droits légaux particuliers et vous pourriez également disposer d'autres droits variant selon l'État ou la province.

LIMITATION DES RECOURS; EXCLUSION DES DOMMAGES ACCESSOIRES ET INDIRECTS

EN VERTU DE CETTE GARANTIE LIMITÉE, VOTRE SEUL ET UNIQUE RECOURS DOIT ÊTRE LA RÉPARATION OU LE REMPLACEMENT DU PRODUIT, À NOTRE DISCRÉTION, COMME INDIQUÉ AUX PRÉSENTES. NEWAGE NE DOIT PAS ÊTRE TENU RESPONSABLE DES DOMMAGES ACCESSOIRES ET INDIRECTS. Certains États ainsi que certaines provinces ne permettent pas l'exclusion ou la limitation des dommages accessoires ou indirects, il est par conséquent possible que ces limitations et exclusions ne s'appliquent pas à vous. Cette garantie vous donne des droits légaux particuliers et vous pourriez également disposer d'autres droits variant selon l'État ou la province.