

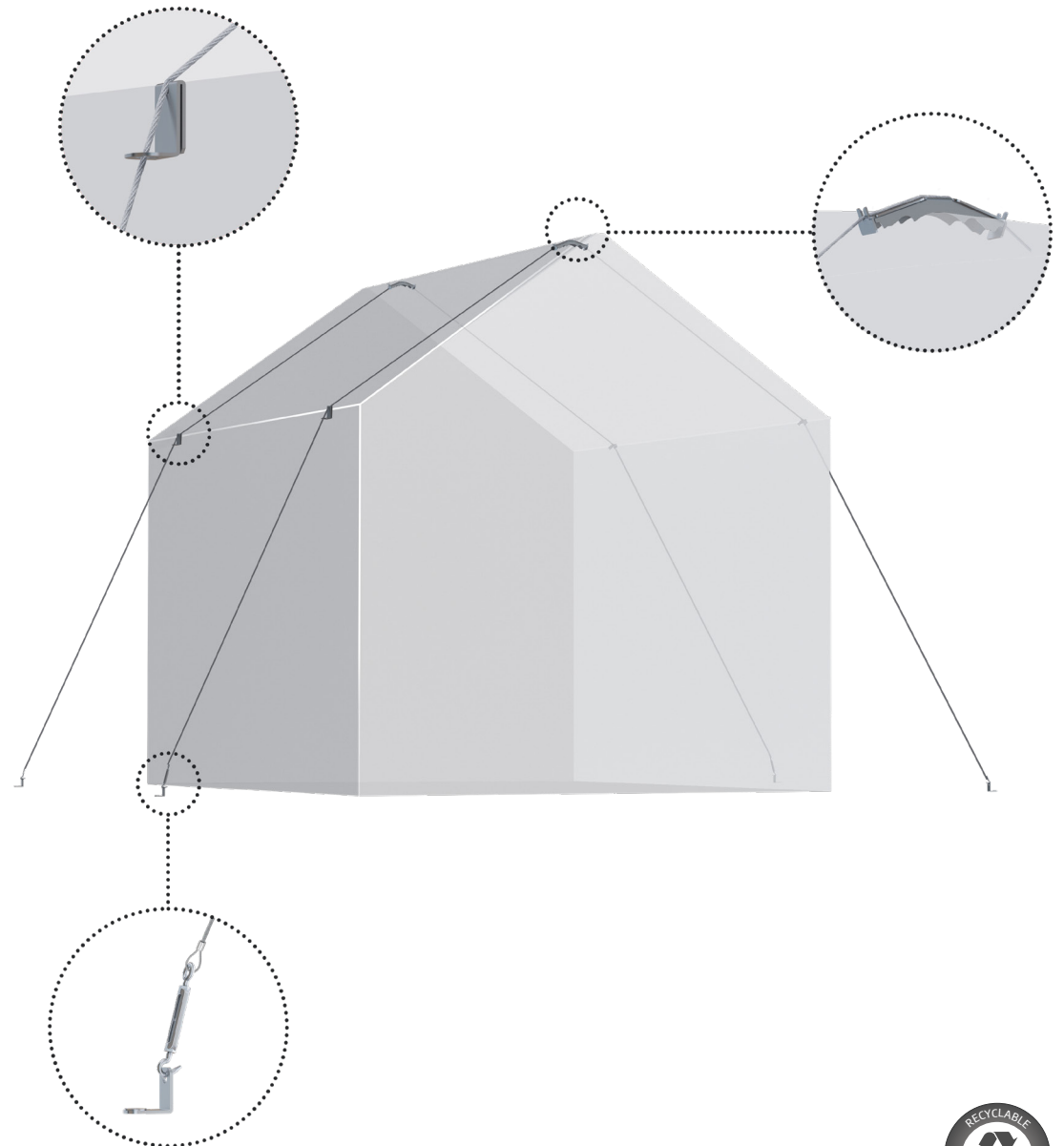
HOW TO ASSEMBLE

ANCHORING KIT

Suitable for: Snap&Grow

IMPORTANT!

Please read these instructions carefully before starting assembly.
Keep these instructions in a safe place for future reference.



HAVE A CONCERN? WE CAN HELP.

Before returning your purchase:

You didn't find what you
were looking for?
We can help at
canopia.shop/support

Still can't find what you
are looking for?
Please see next page for
local customer care.

HABEN SIE BEDENKEN? WIR KÖNNEN HELFEN.

Bevor Sie Ihren Kauf zurücksenden:

Haben Sie nicht gefunden,
wonach Sie gesucht haben?
Unter canopia.shop/support
können wir helfen.

Sie haben noch nicht
gefunden wonach Sie suchen?
Auf der nächsten Seite
finden Sie den Kontakt zu
unserem lokalen Kundendienst.

TIENE ALGUNA INQUIETUD? PODEMOS AYUDARLE.

Antes de retornar su compra:

No encontró lo que
estaba buscando?
Podemos ayudarle en
canopia.shop/support

Aún no encontró lo que buscaba?
Por favor vea en la siguiente
página el Servicio Local al Cliente.

UN SOUCI? UNE QUESTION? NOUS POUVONS VOUS AIDER.

Avant de renvoyer ce produit:

Vous n'avez pas trouvé
ce que vous cherchez ?
Nous pouvons vous aider sur
canopia.shop/support

Insatisfait/e ou sans réponse ?
Merci de contacter notre Service
Client local ci-dessous.





WE ARE HERE TO HELP

For general questions: canopia.com/contact-us

NORWAY • SWEDEN • ARGENTINA • GREECE • GREENLAND • ICELAND • ESTONIA • JAPAN • LATVIA • LITHUANIA
MAURITIUS • MEXICO • ROMANIA • RUSSIA • TURKEY • UZBEKISTAN • UKRAINE • SWAZILAND • KOREA

+972-4-848-6816 | customer.service@palram.com

USA	CANADA	HUNGARY • SLOVAKIA
877-627-8476 generalsupport@poly-tex.com	905-5646007 sales@footprintproducts.com	+420-493-523-523 servis@garland.cz
UNITED KINGDOM • IRELAND	GERMANY	NEW ZEALAND
01302-380775 customer.serviceUK@palram.com	0180-522-8778 customer.serviceDE@palram.com	0800 800 880 customer.service@palram.com
FRANCE • BELGIUM	ISRAEL	DENMARK
+33-169-791-094 customer.serviceFR@palram.com	04-848-6800 customer.service@palram.com	07-575 42 70 post@nshnordic.com
ITALY • NETHERLANDS • PORTUGAL • SPAIN	AUSTRIA • LUXEMBURG • LIECHTENSTEIN	SOUTH AFRICA
+33-169-791-094 customer.serviceFR@palram.com	+49-180-522-8778 customer.serviceDE@palram.com	011-397-7771 receptionza@palram.com
AUSTRALIA	AUSTRALIA - GREENHOUSES	CROATIA • SLOVENIA
03-9219-4444 salesvic@palram.com	03-9544-6-999 info@mazedistribution.com.au	0599-37-057 info@ms-viscom.com
CZECH REPUBLIC	SWITZERLAND	POLAND
0493-523-523 servis@garland.cz	062-287-33-77 info@ritter.ch	Infolinia: 801-011-929 22-349-93-36 kontakt@ogrodosfera.pl
CYPRUS	FINLAND	
0224-971-13 alpaco@alpacodomica.com www.alpacodomica.com	Neuvonta: 09-6866720 Tuki / Varaosat: 050-3715350 www.horizontenterprises.fi tuki@horizontenterprises.fi	

SAFETY ADVICE

- It is of utmost importance to assemble all of the parts according to the directions. Do not skip any steps.
- Always wear work gloves during panel sliding.
- Always wear shoes and safety goggles when working with extruded aluminium.
- If using a step ladder or power tools make sure that you follow the manufacturer's safety advice.
- Do not touch overhead power cables with the aluminium profiles.
- Do not attempt to assemble the product in windy or wet conditions.
- Do not climb or stand on the roof.
- Dispose of all plastic bags. Keep them out of reach of small children.
- Keep children away from the assembly area.
- Do not lean against or push the products during construction.
- Do not position your product in an area exposed to excessive winds.
- Do not attempt to assemble this product if you are tired, have taken drugs or alcohol or if you are prone to dizzy spells.
- Hot items such as recently used grills, blowtorches etc. must not be stored in the product.
- Make sure there are no hidden pipes or cables in the ground before anchoring to foundation.
- **Make sure to anchor the product directly to a solid foundation to increase the product's stability and wind resistance in areas with severe weather conditions.**
Make sure that there are no obstructions between the assembly area and the final position of the product.

CARE & MAINTENANCE

- When your product needs to be cleaned, use a mild detergent solution and rinse with cold clean water.
- DO NOT use acetone, abrasive cleaners or other special detergents to clean the panels.
- Clean the product once assembly is complete.

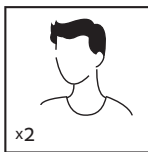
BEFORE ASSEMBLY

- Selecting a site:
 - Choose your site carefully before beginning assembly.
 - Choose a sunny position away from overhanging trees.
 - The product must be positioned and fixed on a flat level surface.
- The product must be secured directly to a solid foundation.
- This is a multi-part assembly best achieved by two people. Allow at least half a day for the assembly process.
- Take all components & parts out of the packages. Sort the parts and check against the content parts list.
- Parts should be laid out close at hand. Keep all small parts (screws etc.) in a bowl so they do not get lost.
- Please note multi-sided profiles are used in this product. As a result some holes in the profiles are not used during assembly.
- Please review entire instructions before starting. Carry out the assembly steps in exact order.
- Please consult your local authorities if any permits are required prior to constructing the product.
- **This product is suitable for all Snap&Grow greenhouses up to 8 feet long.**

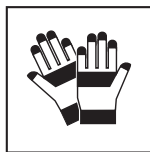
IMPORTANT!

- Firmly connect the product to a level surface immediately after completion of the assembly.
- Anchoring this product to the ground is essential to its stability and rigidity. It is required to complete this stage in order for your warranty to be valid.
- During assembly use a soft surface below the parts to avoid scratches and damages.

TOOLS & EQUIPMENT



2 people needed



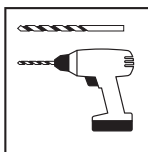
Work gloves



Wrench



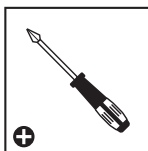
Needle Nose Pliers



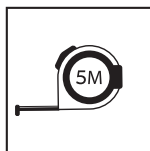
Electric Drill
With Drill Bit



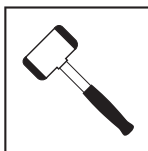
Ladder



Philips head
Screwdriver



Tape measure



Rubber Mallet



IMPORTANT ASSEMBLY STEPS

When encountering this information icon during assembly, please refer the relevant assembly step for important additional comments.

Do not cut the steel cable unless a final decision on the mounting location has been made.

Step 3: According to the ground surface type, follow the appropriate mounting procedure.

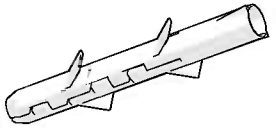
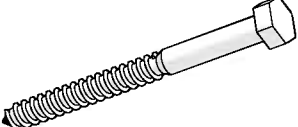
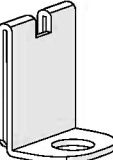
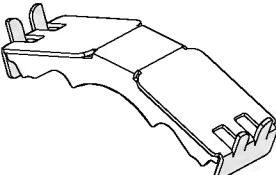
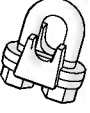
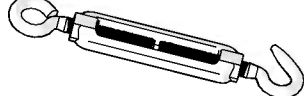
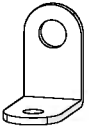
Option 1: for hard surfaces (concrete or wood).


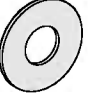
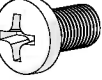

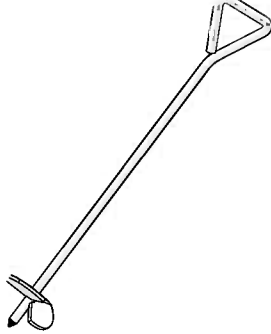
Option 2: soft/ground installation.

Step 5: After the product has been installed, fasten the steel cable by turning part #7332.

Tighten all screws when completing assembly.

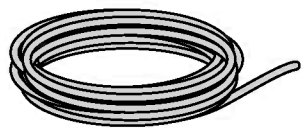
Contents

Item		Qty.
4010		4 (+1)
4000		4 (+1)
7409		4
7410		2
7333		4
7332		2
7331		4

Item		Qty.
414		2 (+1)
433		6 (+1)
7283		2 (+1)
7327		2
7336		4

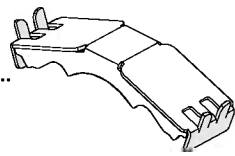
1

7327.....

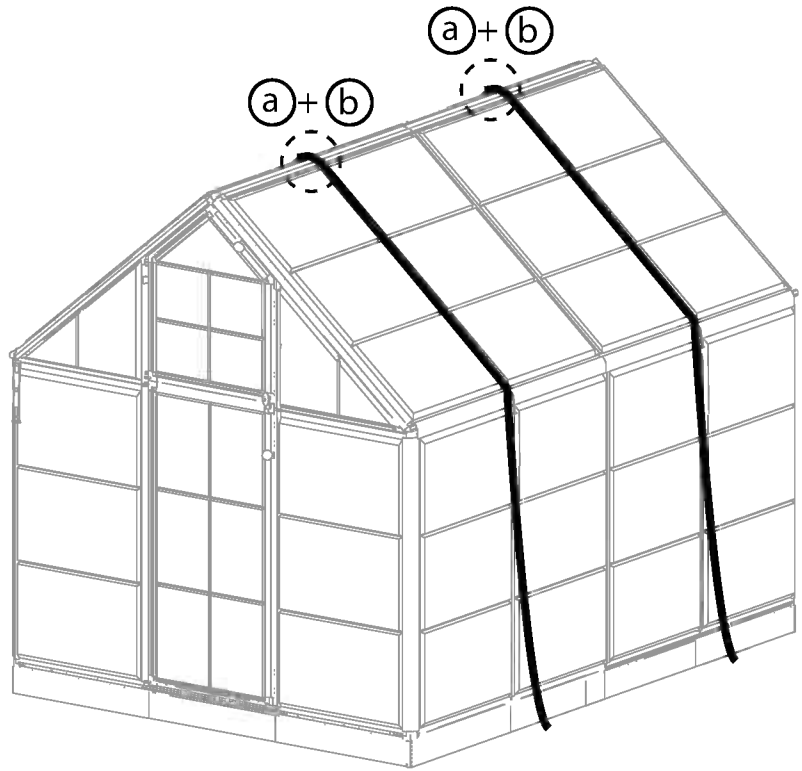


..... 2

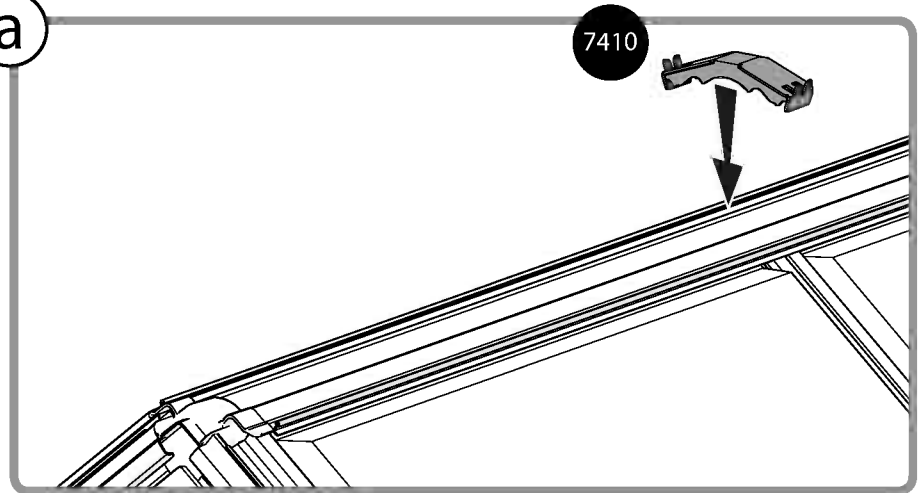
7410.....



..... 2

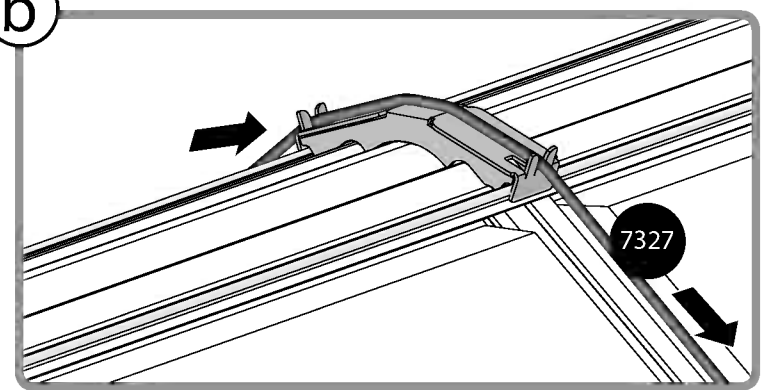


a



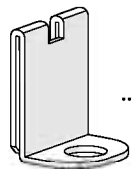
7410

b

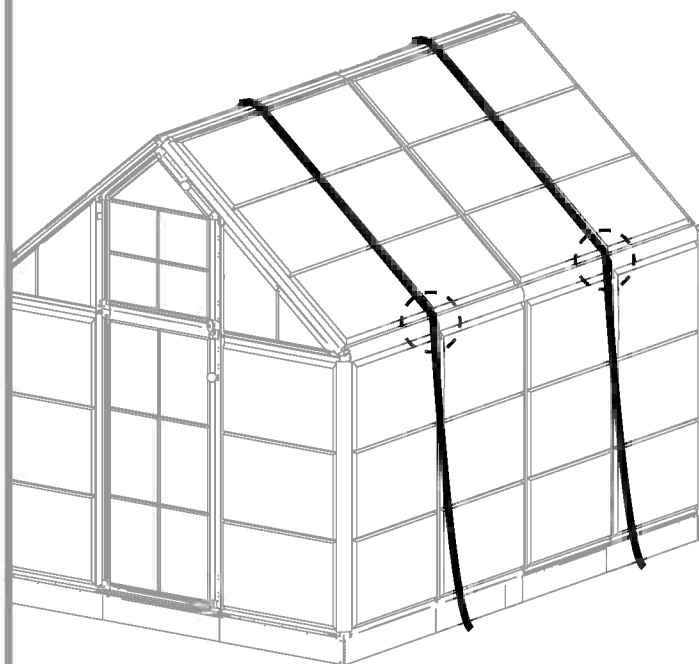


7327

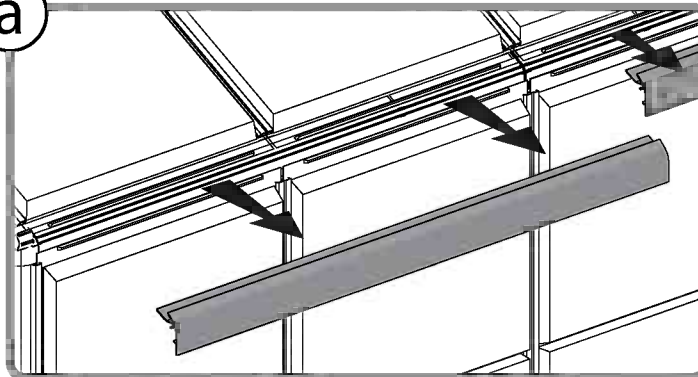
7409.....



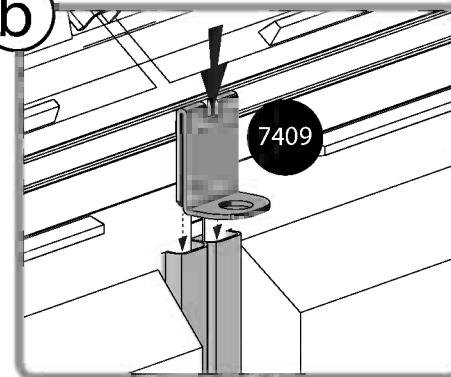
..... 4



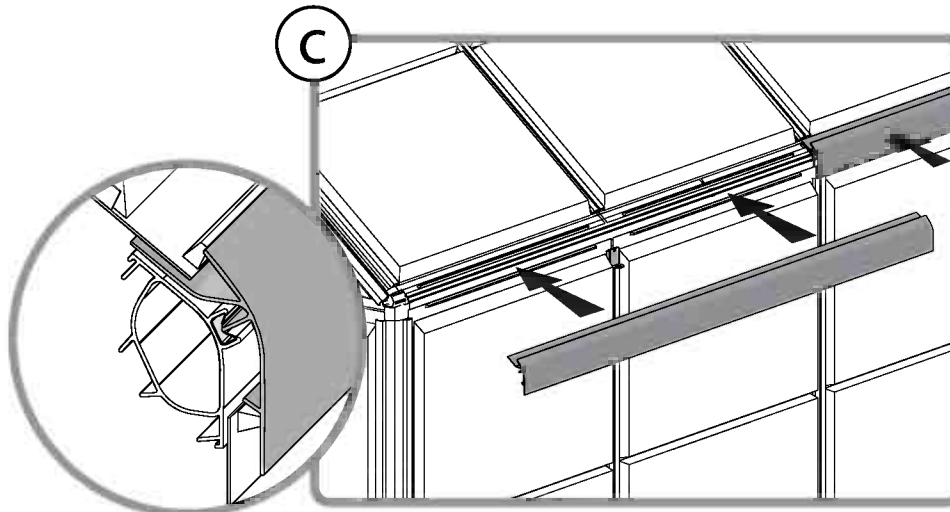
a



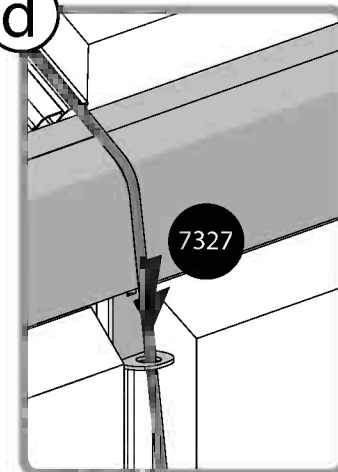
b



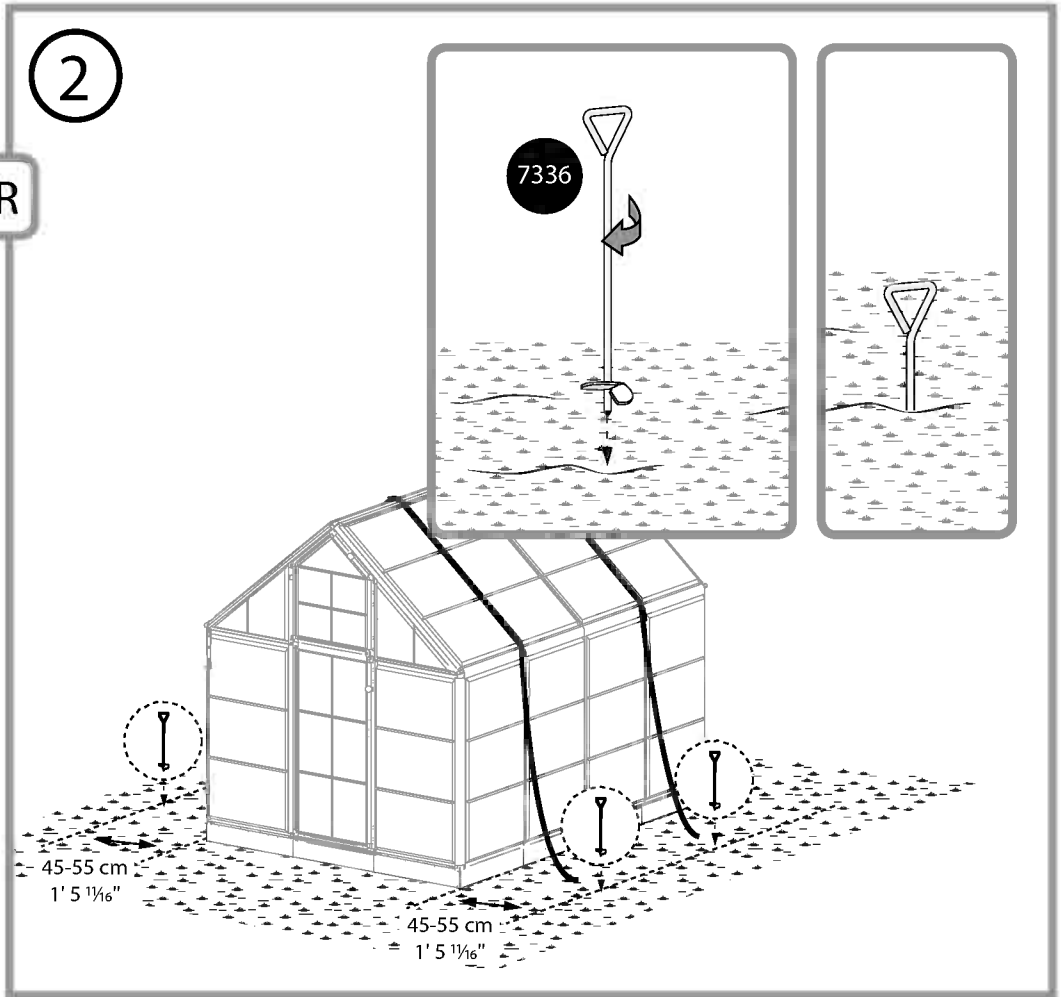
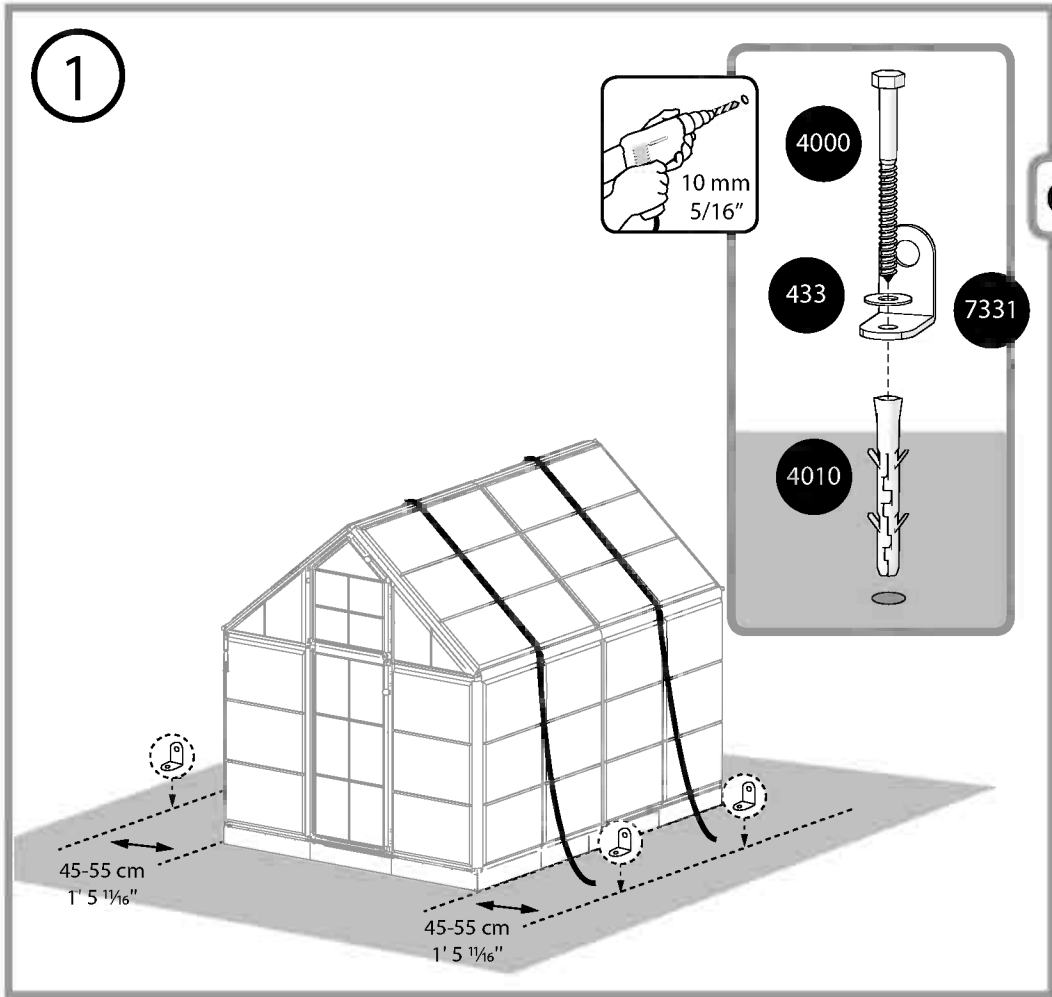
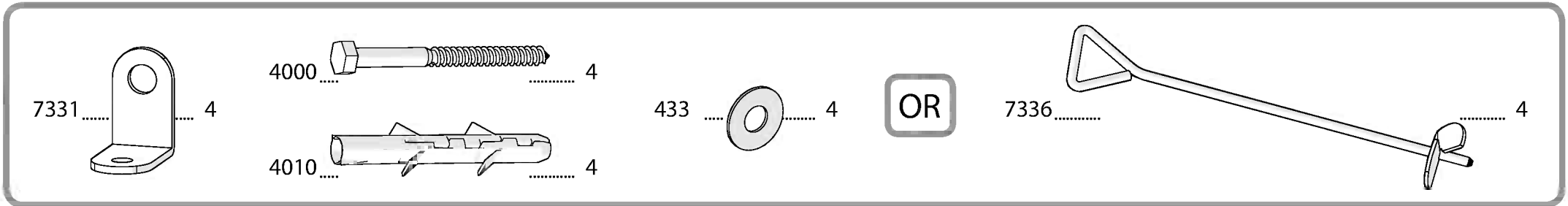
c



d

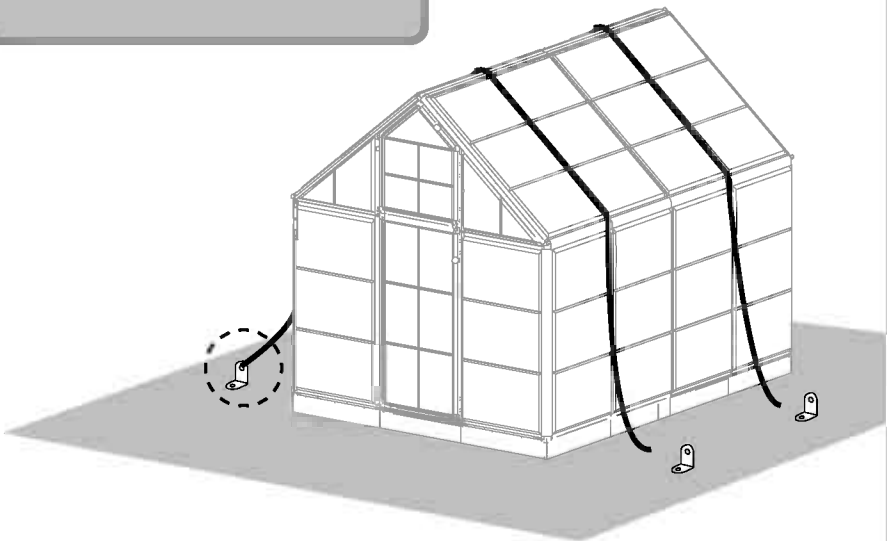
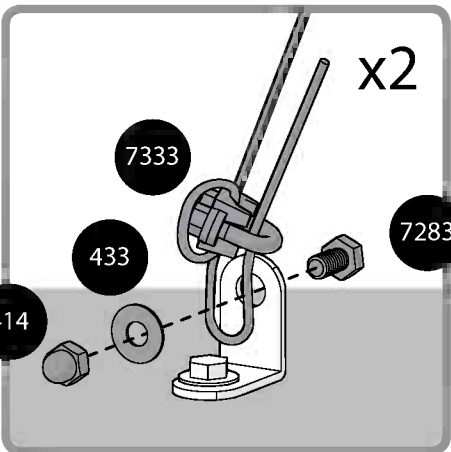


3 **i**



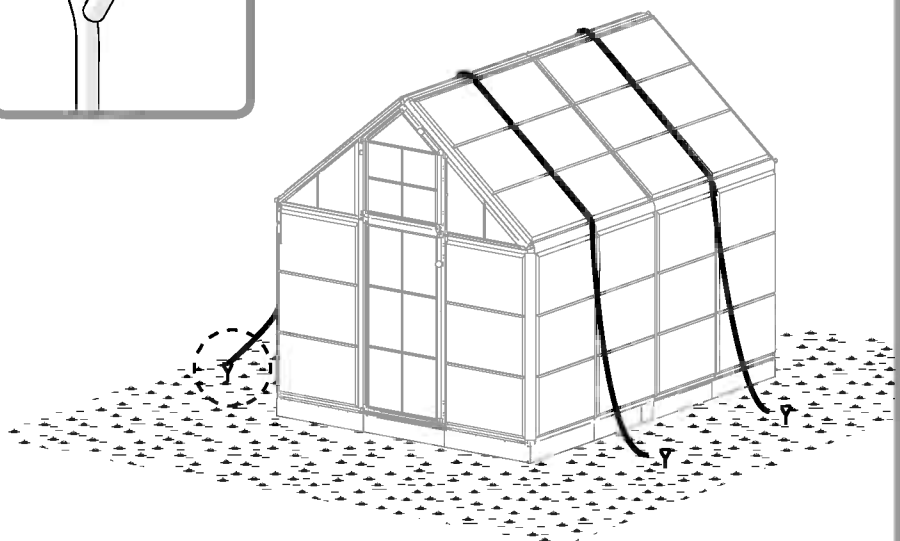
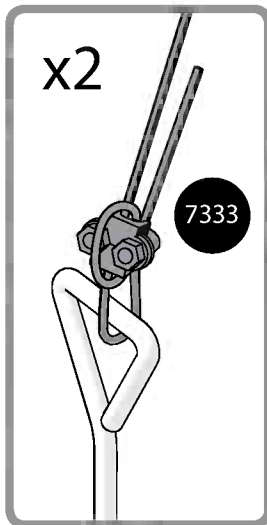
- 7333..... 2 7283..... 2 414 2 433 2

1

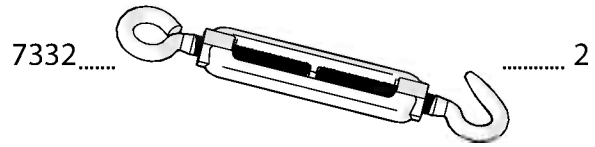
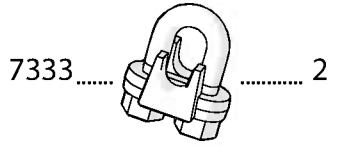


2

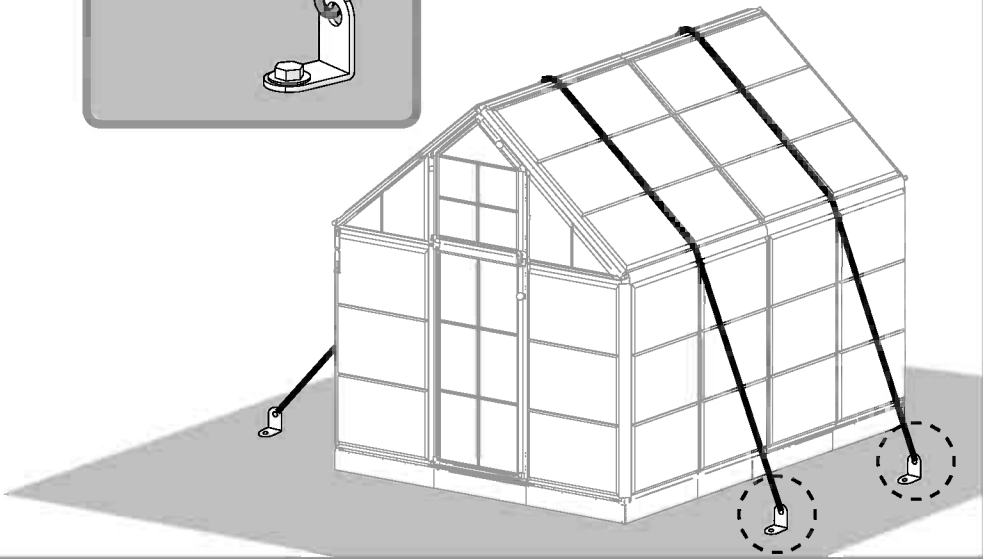
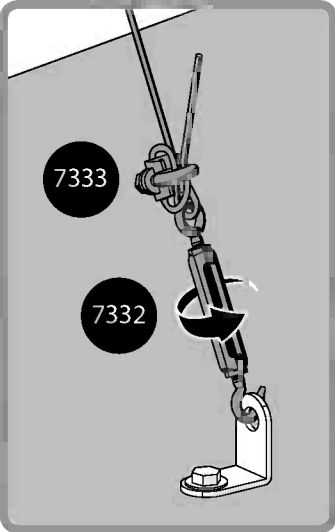
OR



5 **i**



1



2

OR

