



12x8 Cabana - Plywood T&G - Assembly Manual

Version #1.2
January 26, 2022

Thank you for purchasing a 12x8 Cabana. Please take the time to identify all the parts prior to assembly.

Roof Area: 115 sqft



Safety Points and Other Considerations

Our products are built for use based on proper installation on level ground and normal residential use. Please follow the instruction manual when building your shed and retain the manual for future maintenance purposes.

Customers are responsible for ensuring a solid, level, well-draining site for construction.

Please check with your local municipal or county by-laws before ordering this product to confirm it complies with building codes.

- Snow load ratings vary by geographical location. If heavy or wet snowfall occurs, it is advisable to sweep snow off roof frequently.
- If the product is elevated, any structural and building code requirements are solely the customer's responsibility, and should be abided by.
- In areas with high or gusty wind conditions, it is advisable to install the structure securely to the ground.
- Have a regular maintenance plan to ensure screws, doors, windows and parts are tightly affixed.



Customer agrees to hold Outdoor Living Today and any Authorized Dealers free of any liability for improper installation, maintenance and repair.

In the event of a missing or broken piece, call the Outdoor Living Today Customer Support Line @ 1-888-658-1658 within 30 days of the delivery of your purchase. It is our commitment to you to courier replacement parts, free of charge, within 10 business days of this notification. Replacement parts will not be provided free of charge after the 30 day grace period.

All structures purchased from Outdoor Living Today are covered for a period of one year for defects in manufacturing and workmanship. Costs incurred for customer installations are not included.

Failure to use supplied parts included in this kit could result in poor product performance and may void your warranty. Please contact Outdoor Living Today's Customer Toll Free Line if you plan to deviate from our written instructions.

What to do before my Shed arrives?



- Become familiar with this assembly manual and determine if you can complete the project yourself or will require a professional contractor.



- One helper is recommended to assist in constructing your shed. It generally takes two people over two days to assemble a shed. If you're hiring a contractor, their rate should be in line with that duration of work.



- Clear the construction area and ensure a clear pathway for delivery when the freight company arrives. Remove all debris: roots, grass, rocks, etc.



- Excavate the site. Contact your local utilities company to ensure there are no gas or electric lines buried in the area before digging.



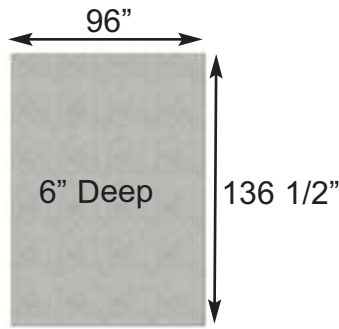
- Decide on the type of foundation you will be using:
 - Concrete slab, or
 - 4-6 inches of crushed gravel with paver stones or 4x4 stringers.

You can find the footprint for your shed on Page 3 of your Assembly Manual.

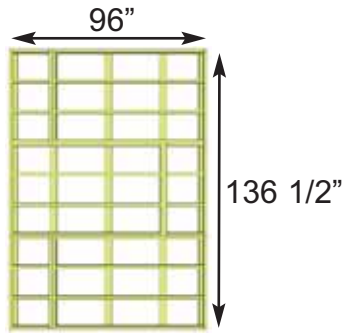


- If doing the assembly yourself, have all the necessary tools ready to go and in working condition. A list of required tools can be found after the parts list.

Foundation Types for 8x12 Garden Shed



Concrete Foundation



Floor Frame

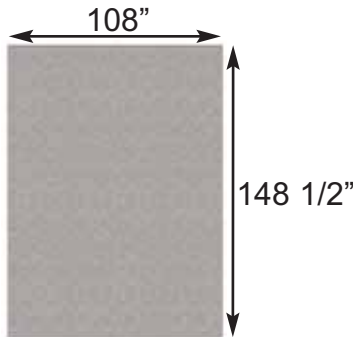


Completed Foundation

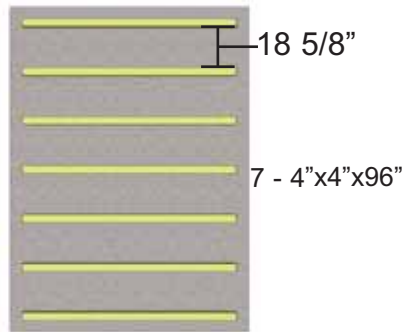
Concrete Slab Foundation:

- Slab must be at least the same size as assembled floor frame (136 1/2" x 96") or larger.
- 6" Deep foundation.
- 1.7 Cubic Yards of concrete required.
- A concrete slab will have the longest durability out of your foundation options.

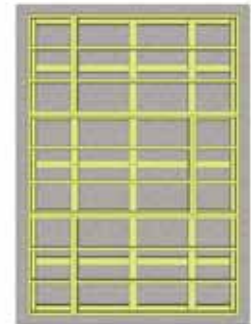
Once level, a concrete slab is the easiest surface to build on.



Gravel Foundation



Gravel Foundation with treated stringers

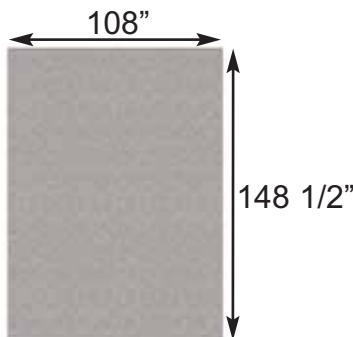


Completed Foundation

Gravel with 4x4 Pressure Treated Stringers:

- Excavate at least 6" deep, and 6" wider than floor frame on each side.
- 2.1 Cubic Yards of gravel required, approximately 19 wheelbarrows.
- 7 - 4x4 Pressure Treated Stringers 8' long required.
- Evenly spaced, with one at each end of floor frame.

Saves money on materials, easy to level and work with.

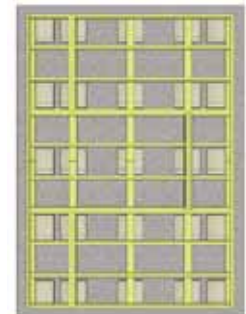


Gravel Foundation

25 Patio Stones



Gravel Foundation with Patio Pavers



Completed Foundation

Gravel with Patio Paver Stones:

- Excavate at least 6" deep, and 6" wider than floor frame on each side.
- 2.1 Cubic Yards of gravel required, approximately 19 wheelbarrows.
- 25 patio pavers (8" x 8" or larger).
- Center patio paver stones underneath floor runners and underneath seams in floor joists.

Patio paver stones are widely available from most landscape stores.

**Thank you for purchasing our 12x8 Cabana Garden Shed.
Please take the time to identify all the parts prior to assembly.**

1. Floor Section	Parts List - Pages 4 and 5	Steps ↓
Floors ----- 3 - 45 1/2" x 75" - Floor Joist Frames - Large 3 - 45 1/2" x 21" - Floor Joist Frames - Small 6 - 1 1/2" x 3 1/2" x 71 7/8" - Center Floor Joists - Unattached 10 - 1 1/2" x 3 1/2" x 68 3/16" - Floor Runners 3 - 45 3/8" x 74 7/8" - Plywood Floor - Large 3 - 45 3/8" x 20 7/8" - Plywood Floor - Small		1-12
2. Wall Section Main Wall Panels ----- 4 - 45 1/2" x 75" - Solid Wall Panels 4 - 34 1/8" x 75" - Small Solid Wall Panels 4 - 1 1/2" x 2 1/2" x 45 1/2" - Bottom Wall Plates Long 4 - 1 1/2" x 2 1/2" x 34 1/8" - Bottom Wall Plates Short 2 - 45 1/2" x 75" - Window Wall Panels 1 - 12" x 73" - Narrow Wall Panel		Steps ↓ 13-20
Door Header & Jamb ----- 1 - 1 1/2" x 3 1/8" x 73" - Vertical Door Jamb 1 - 2" x 3 1/8" x 45 1/2" - Door Header (Dado cut on edge)		21-22
Top Wall Plates & Gables ----- 6 - 3/4" x 2 1/2" x 32" - Side Top Plates (4 pieces angle cut on end, 2 piece straight cut both ends) 4 - 3/4" x 2 1/2" x 65 3/4" - Front & Rear Top Plates (angle cut edge) 4 - Gable Half Walls - Triangular Shaped		24-27
3. Rafter and Roof Section Rafter Assembly ----- 2 - 3/4" x 4 1/2" x 84" - Roof Ridge Boards 2 - 3/4" x 4 1/2" x 52 1/2" - Roof Ridge Boards 18 - 1 1/2" x 3 1/2" x 56 1/2" - Roof Rafters 4 - 1/2" x 4 1/2" x 68 1/4" - Soffits 4 - 3/4" x 1 1/2" x 48" Rafter Nailing Cleats 3 - 3/4" x 3 1/2" x 72" - Roof Gussets (angle cut on ends)		Steps ↓ 28-41
Roof ----- 4 - 5/8" x 48" x 72" - Roof Plywood Large 4 - 5/8" x 8 5/8" x 72" - Roof Plywood Small		42-47
4. Trim & Miscellaneous Section Outer Wall Trim ----- 7 - 1/2" x 4 1/2" x 45 1/4" - Bottom Skirting Long 4 - 1/2" x 4 1/2" x 34 1/8" - Bottom Skirting Short 4 - 5/8" x 2 1/2" x 75" - Filler Trim 4 - 1/2" x 4 1/2" x 45 1/4" - Horizontal Gable Trim 4 - 1/2" x 3 1/2" x 79" - Corner Trim 4 - 1/2" x 5 1/2" x 82" - Wide Corner Trim 3 - 1/2" x 2 1/2" x 79" - Rear Wall Narrow Trim 2 - 1/2" x 2 1/2" x 77 1/2" - Side Wall Narrow Trim		Steps ↓ 48-54
Facia Trim ----- 4 - 3/4" x 2 1/2" x 51" - Facia Nailing Strips 4 - 3/4" x 3 1/2" x 58" - Side Facia (Angle cut on ends - 2 right / 2 left) 4 - 3/4" x 3 1/2" x 71 3/4" - Front and Rear Facia 2 - Pentagon Facia Plate - For Side Facia Peaks 2 - Horizontal Gable Trim Detail Plates - 4 1/2" high 2 - Facia Detail Plates - 3 1/2" high		55-58

Continued on next page

Note: All Trim, Facia and Bottom Skirting pieces will be positioned rough face out when installed.

Door Section

- 2 - 1/2" x 3 1/2" x 79" - Vertical Door Trim
- 1 - 1/2" x 2 1/2" x 79" - Front Wall Narrow Trim
- 1 - 1/2" x 1 1/4" x 32" - Horizontal Door Trim
- 1 - 1/2" x 1 1/4" x 7" - Horizontal Narrow Wall Trim
- 1 - 31 1/2" x 30" - Top Dutch Door Section
- 1 - 31 1/2" x 42" - Bottom Dutch Door Section
- 2 - 1/2" x 2 1/2" x 72" - Interior Vertical Door Stops
- 1 - 1/2" x 2 1/2" x 36" - Interior Top Horizontal Door Stop

59-66










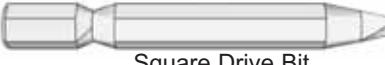





Miscellaneous

- 2 - Metal Window Inserts
- 2 - Window Trim Pkgs - (1 - 24 1/16" angle cut / 3 - 23" square cut)
- 2 - Flower Box Kits
- 1 - Spare Wall Siding
- 2 - Spare Shingles - use to shim door, etc

67-70

12 x 8 CABANA - PLYWOOD ROOF - HARDWARE SHEET

Hardware Kit (Provided)

S1 - 2 1/2"		270 Pcs	S2 - 1 1/4"		270 Pcs
S3 - 2"		155 Pcs	SS2 - 3/4"		25 Pcs Silver
SB2 - 2"		28 Pcs Black Headed	SB1 - 3/4"		10 Pcs Black Headed
Y3 - Black Handle			N1 - 1 1/2"		365 Pcs Finishing
Y4 - Black Drop Latch			BR1		2 Pcs Square Drive Bit
Y1 - Tee Hinge x4			Y30 - Single Rafter Bracket x 6		
Y5 - Interior Silver Barrel Bolt Connector x 2			Y31 - Double Rafter Bracket x 4		
Y9 - Ridge Board					

Tools Required (Not Provided)

			
Hammer	Screw Gun/Drill	Tape Measure	Wood Clamp
			
Level	Pliers	Ladder	1/8" Drill Bit

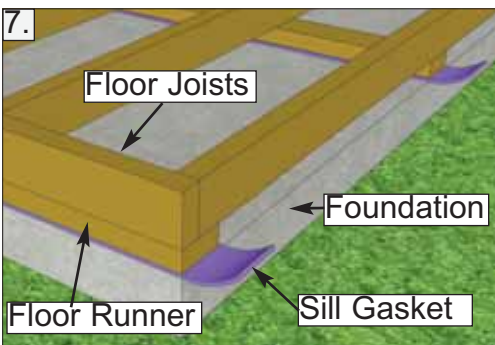
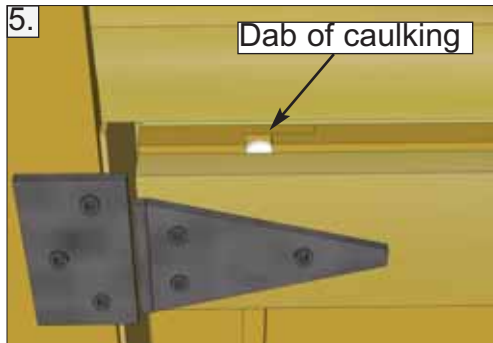
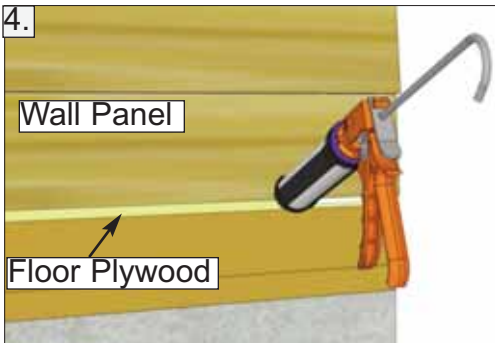
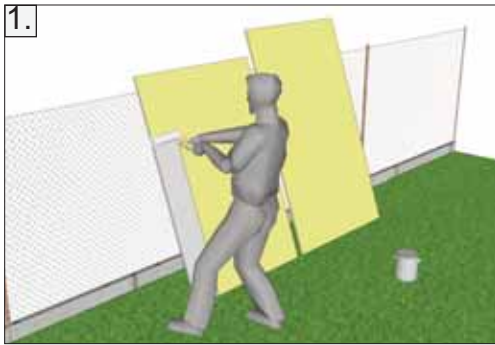
Safety Equipment Required (Not Provided)


Safety Glasses

Work Gloves

Before/During Assembly:

- 1.) Paint each face and edge of your plywood floor with a latex exterior paint.
- 2.) Caulk wall seams if gaps appear.
- 3.) Caulk around window framing.
- 4.) Caulk perimeter between floor plywood and bottom wall plate.
- 5.) Caulk channels in lap siding at the top of your door above the trim, just a drop in each channel.
- 6.) Caulk edge of door threshold (if applicable).
- 7.) Optional: Install a Sill Gasket between floor runners and foundation.
- 8.) Optional: Install an 8" strip of roofing paper below Cedar Ridge Caps for Cedar Roof Sheds.



Routine Maintenance:

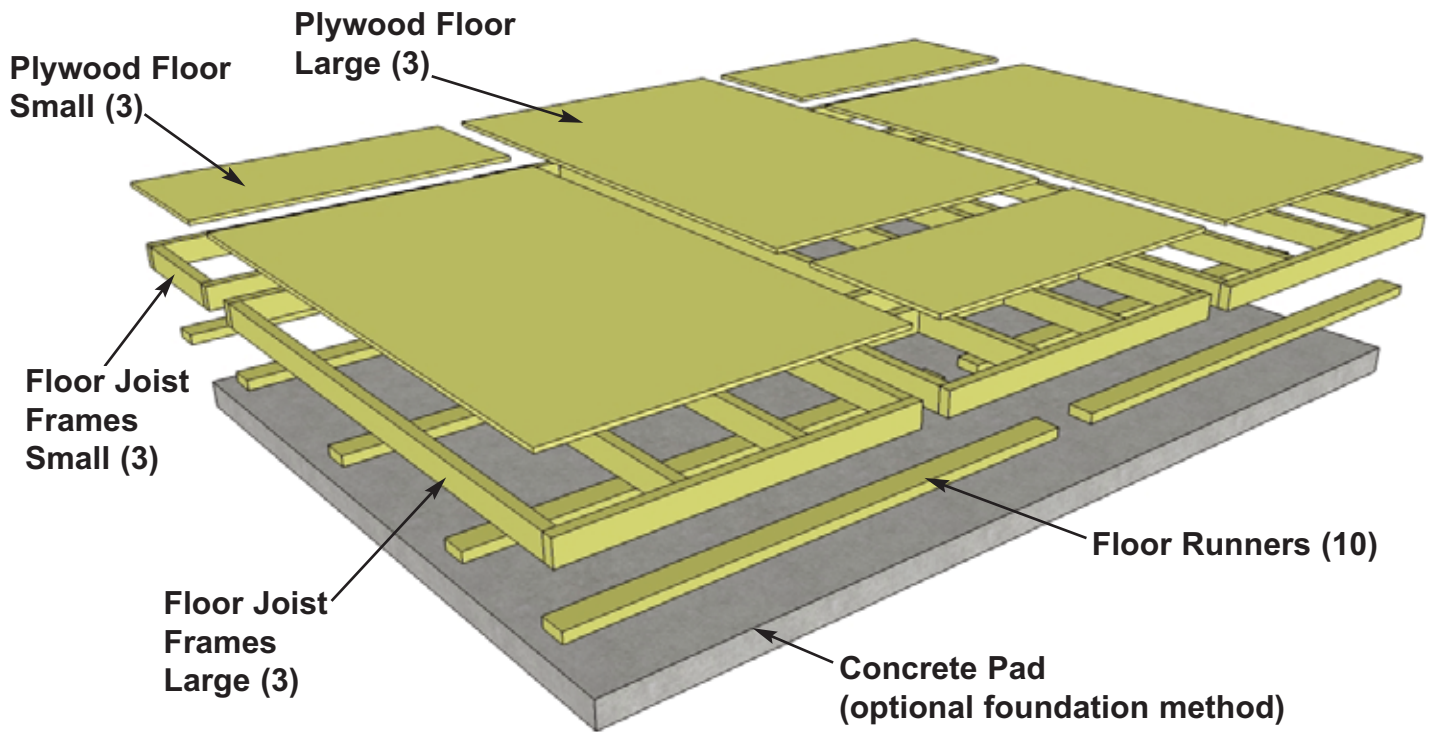
- Routinely check all fasteners are tight (ex. Door Hinges, Nails)
- Brush off dirt from walls.
- Brush off snow from roof regularly.
- Routinely remove needles and leaves from roof.

Painting/Staining

- Your cedar shed, if left untreated, will weather to a silvery grey colour.
- Painting or staining your structure is highly recommended and will prolong the life of your shed.
- You do not need to wait to paint or stain your shed, the wood in your kit has been dried and can be stained or painted immediately.
- Consult your local paint store for the best paint or stain for cedar.
- Optional: stain the inside of your shed. (Note: this will remove the fresh cedar smell.)

A. Floor Section

Exploded view of all parts necessary to complete Floor Section. Identify all parts prior to starting. Note: Floor Footprint is 136 1/2" wide x 96" deep.



Flush with framing



1. Lay out **Large Floor Joist Frame** and **2 Floor Joists** as illustrated above. Position Joists equally in Floor Joist Frame. Use **Small Floor Joist Frame** as a template to determine joist position. Position Joist so flush with framing.

Parts (Steps 1 - 6)

Floor Joists

(1 1/2" x 3 1/2" x 71 7/8") x 6

Floor Joist Frames - Large

(45 1/2" x 75") x 3

Floor Joist Frames - Small

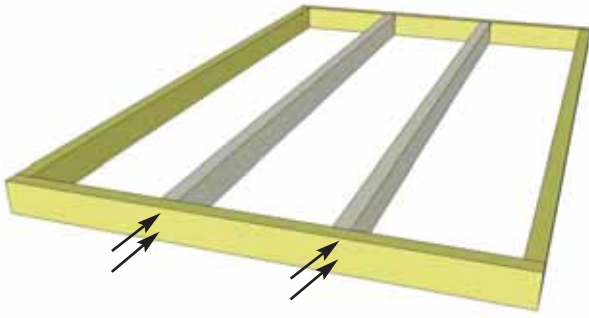
(45 1/2" x 21") x 3

Hardware (Steps 1 - 6)

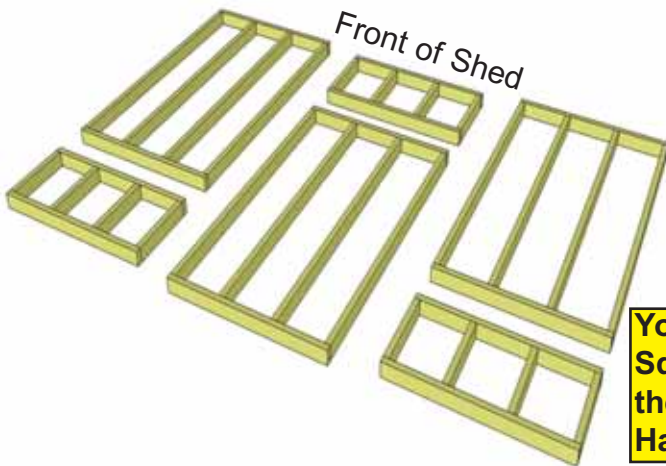
S1 - 2 1/2" Screws

x 58 total

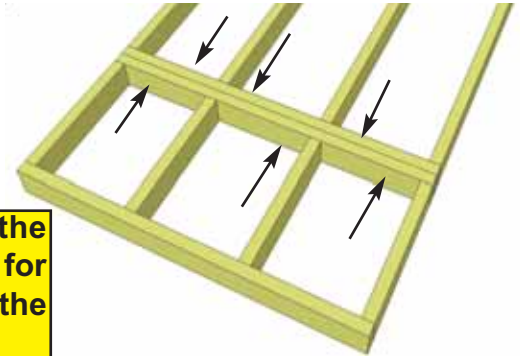
You can find the Square Drive Bit for the screws in with the Hardware Kit Bag.



2. When correctly positioned, attach each Joist with 4 - 2 1/2" screws (2 per end). **You can find the Square Drive Screw Bit in the Hardware Kit Bag.**

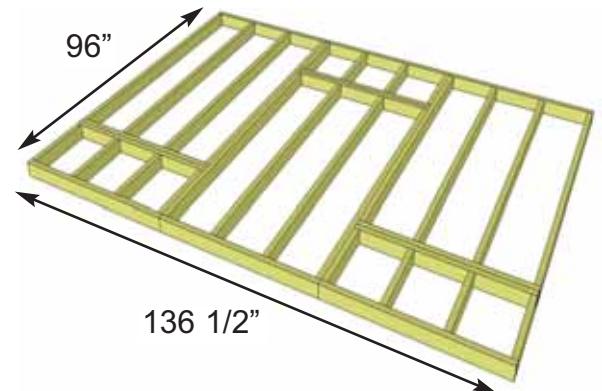


You can find the Square Drive Bit for the screws in with the Hardware Kit Bag.



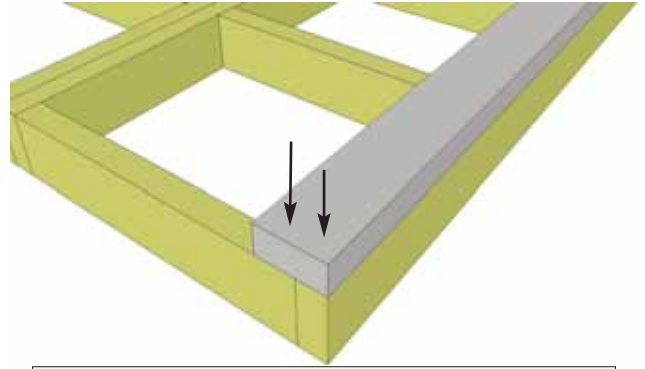
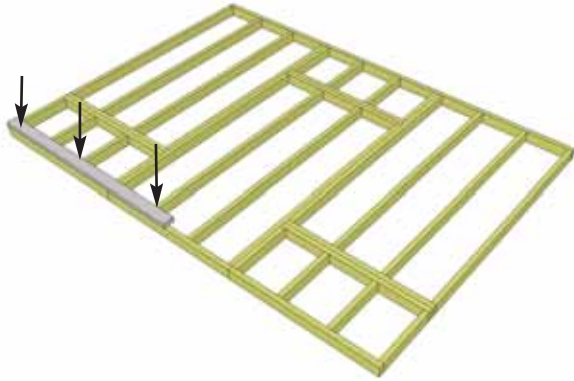
3. Lay out **Floor Joist Frames** as illustrated. There are 3 larger and 3 smaller Frame Sections. The Footprint for the floor when attached together will be 136 1/2" wide x 96" deep.

4. Attach each large and small floor joist frame together with **6 - 2 1/2" Screws** per section.



5. Complete all large and small frame attachments. Screw each completed section together with **8 - 2 1/2" Screws**.

6. When completed, your floor footprint should be 136 1/2" wide x 96" deep.



7. Attach **Floor Runners** to completed floor frame. There are 2 Floor Runners per 136 1/2" side and 5 completed Runners in total. Use **6 - 2 1/2" Screws** per Runner.

8. Make sure Runners are flush with outside and front and rear floor framing but not overhanging.

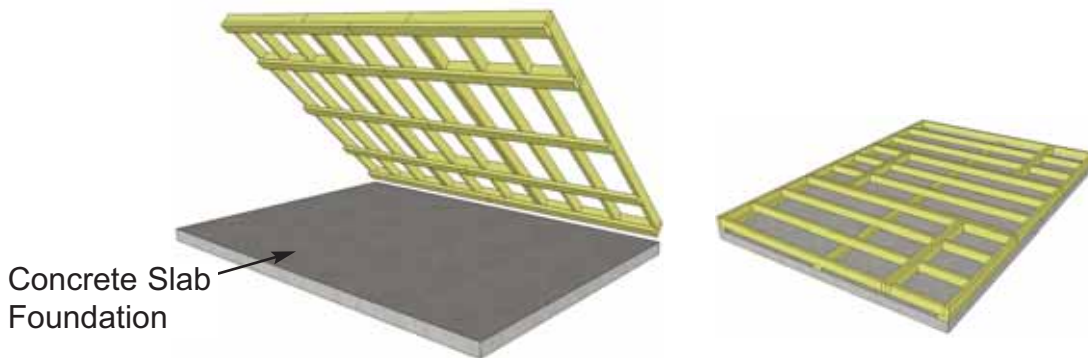
<u>Parts (Steps 7 - 9)</u>	<u>Hardware (Steps 7 - 9)</u>
Floor Runners (1 1/2" x 3 1/2" x 68 3/16") x 10	S1 - 2 1/2" Screws x 60 total



Foundations

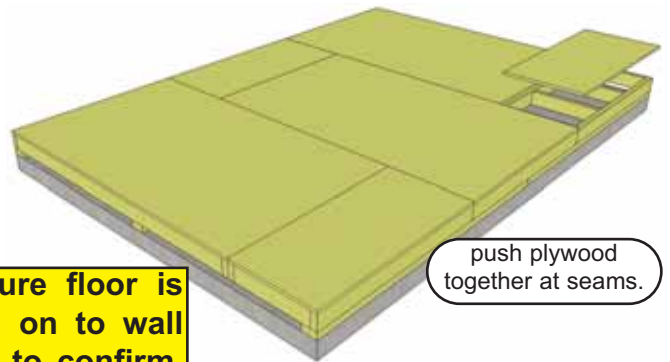
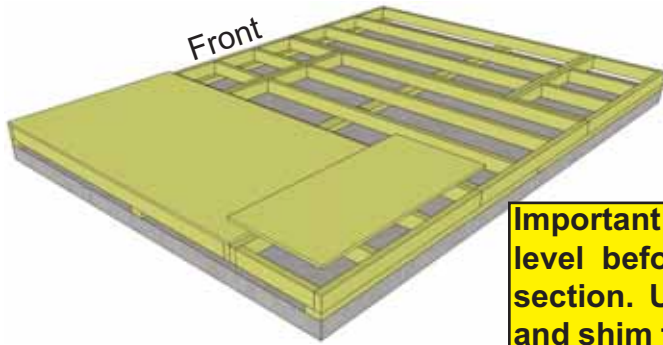
Note: The floor will be flipped over and the floor runners will sit on your foundation. It is important to note, that having a level foundation is critical. Choosing a foundation will vary between regions. Typical foundations can be concrete pads or patio stones positioned underneath the floor runners.

9. Complete remaining Floor Runners.



10. With Floor Runners attached, carefully flip the floor over and place on your foundation.

Caution: you will need 2 people to assist you. Be careful when laying floor down not to bend or twist floor. When in place, level floor completely.



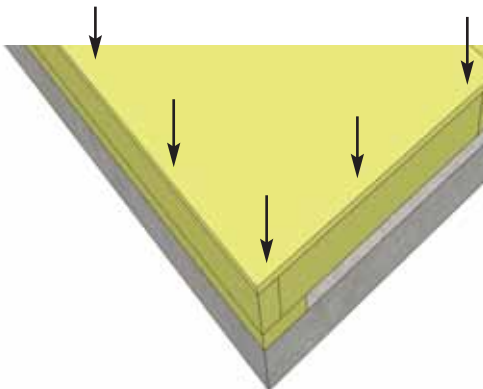
Important - Make sure floor is level before moving on to wall section. Use a level to confirm, and shim floor joists as required.

push plywood together at seams.

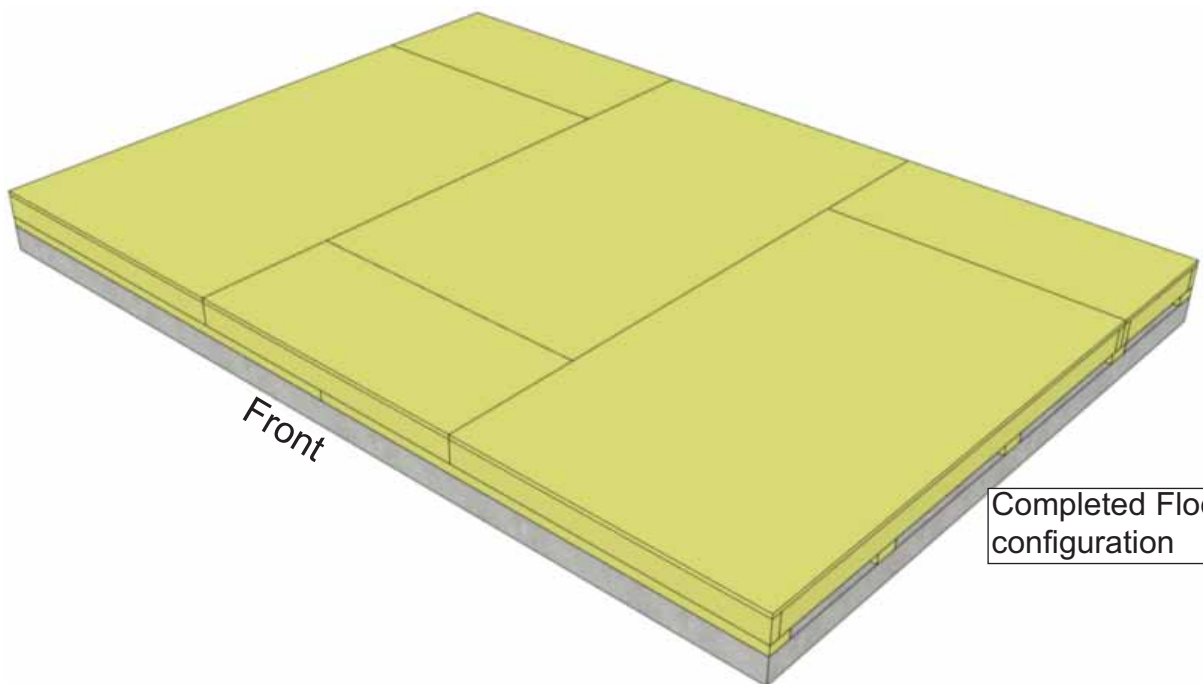
Hint: Use a chalk line to mark location of floor joists to determine screw placement.

11. Position all **Large & Small Plywood Floor** pieces on top of completed floor joists. Plywood will sit flush with outside of floor joist frame.

Parts (Steps 11 - 12)	Hardware (Steps 11 - 12)
Plywood Floor - Large (45 3/8" x 74 7/8") x 3	S2 - 1 1/4" Screws x 70 total (approx)
Plywood Floor - Small (45 3/8" x 20 7/8") x 3	



12. With Plywood positioned correctly on floor framing, attach with **1 1/4" Screws**. Use screws every 16".



Completed Floor configuration

B. Wall Section

Exploded view of all parts necessary to complete the Wall Section.
Identify all parts prior to starting.

Side Top Plates (6)
(4 Angle cut on one end and 2 square cut.)

Front and Rear Top Plates (4)
(Angle cut on edge)

Gable Walls (4)

Small Solid Wall Panels (4)

Short Bottom Wall Plates(4)

Window Wall Panel (2)

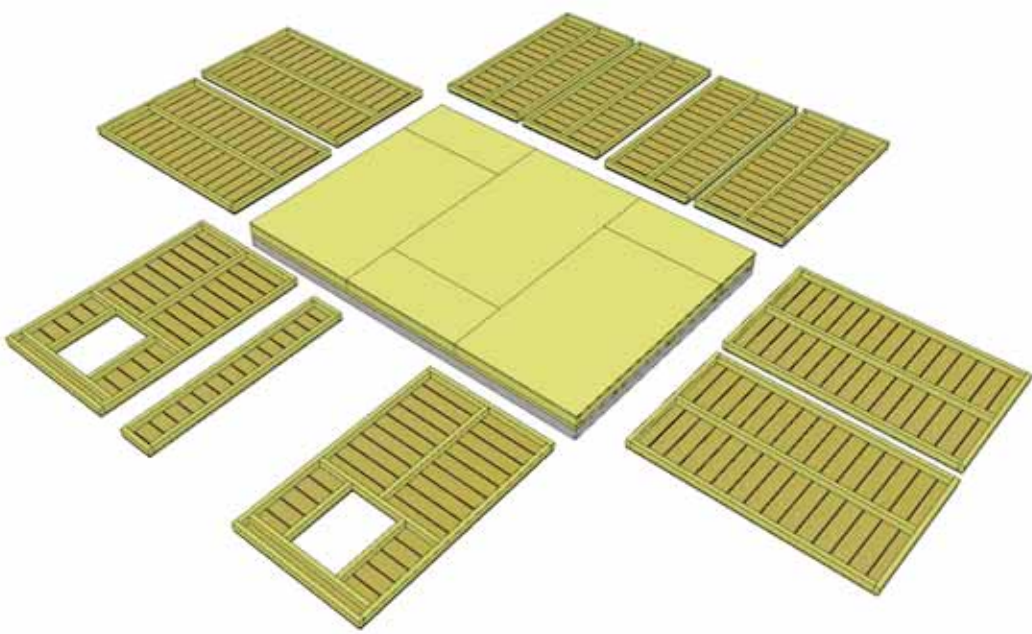
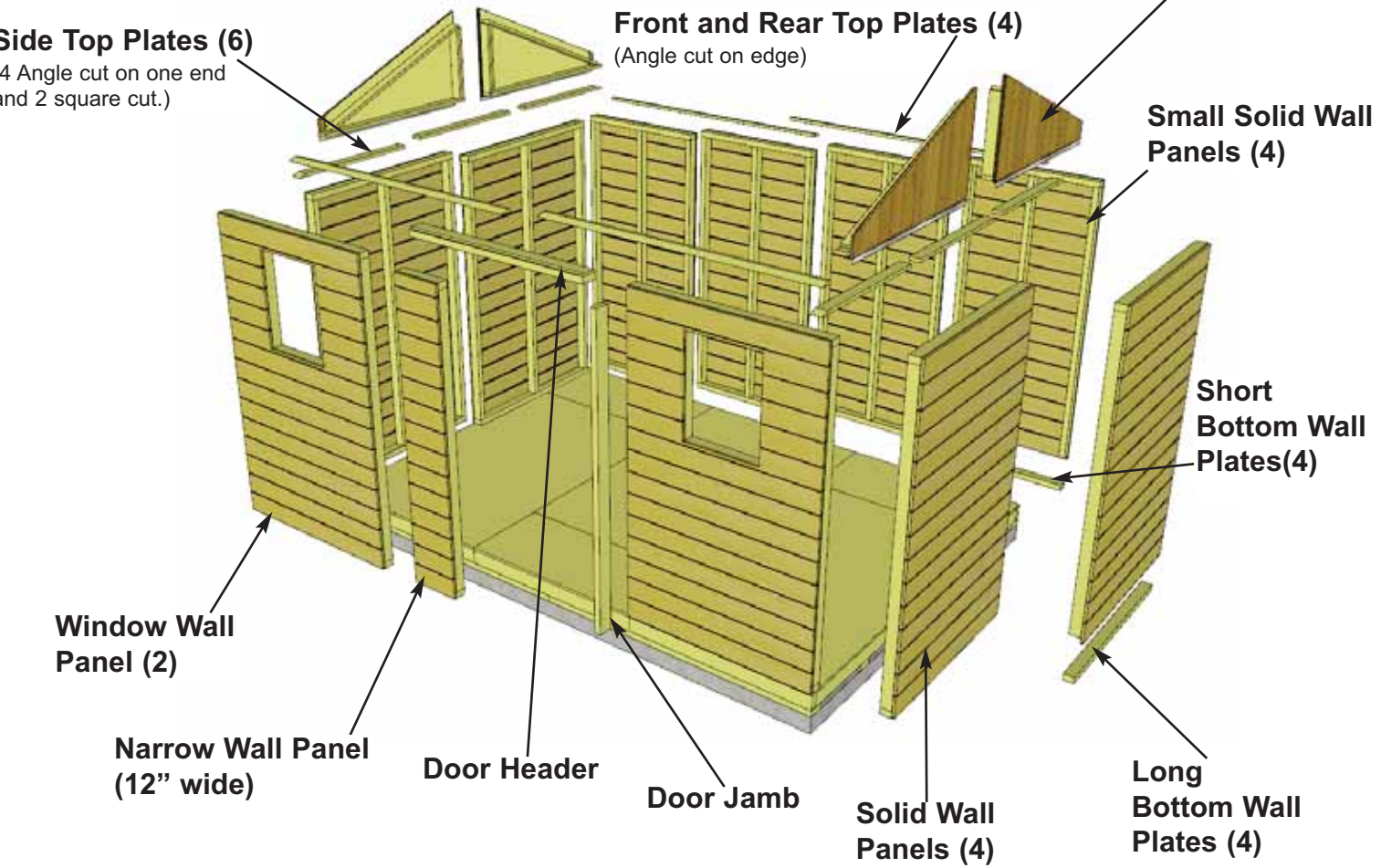
Narrow Wall Panel (12" wide)

Door Header

Door Jamb

Solid Wall Panels (4)

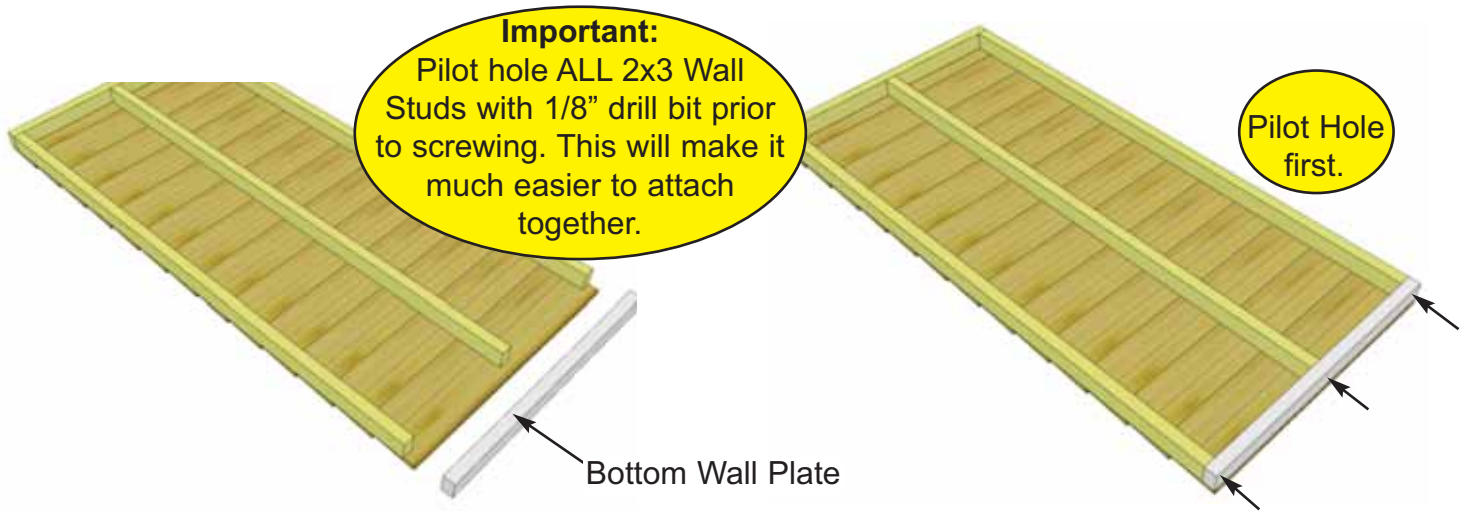
Long Bottom Wall Plates (4)



13. Lay out all the wall panels and become familiar with their location.

On Standard Kits, there are **2 Window Wall Panels, 4 Solid Wall Panels, 4 Small Solid Wall Panels, and 1 Narrow Wall Panel.**

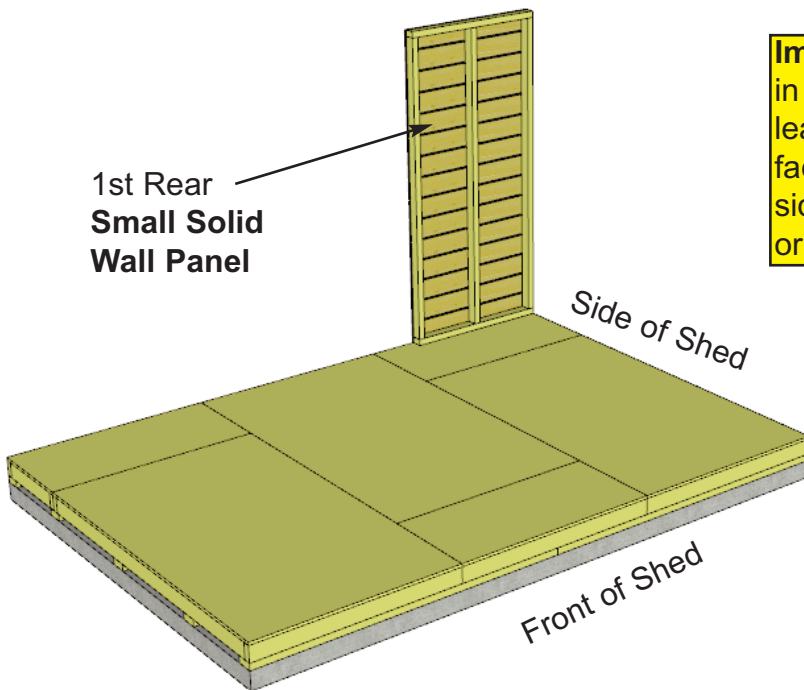
Make sure to position panels right side up so water is directed away from and not into shed. Look at window wall panels to determine proper wall position to confirm.



14. For each **Solid Wall Panel/Small Solid Wall Panel**, carefully lay panel face down. Position and attach a **Bottom Wall Plate Long/Bottom Wall Plate Short** to bottom of wall studs of each wall panel with **3 - 2 1/2" Screws**. Position so plates are flush with framing.

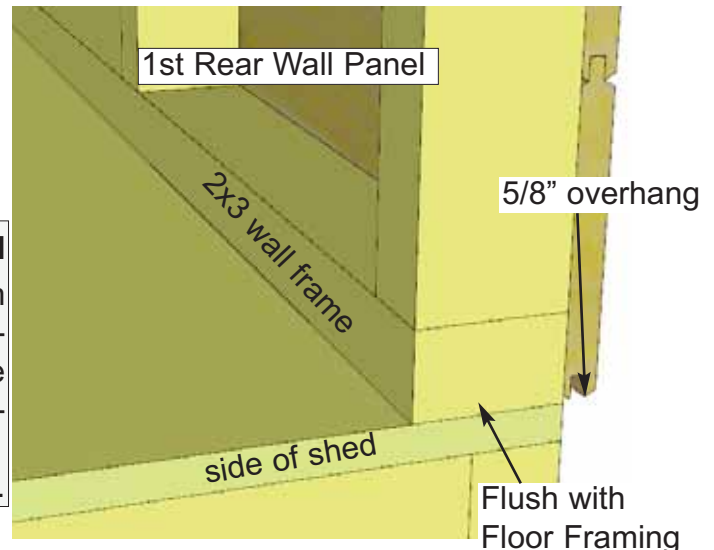
Parts
Solid Wall Panels (45 1/2" x 75") x 4
Bottom Wall Plates Long (1 1/2" x 2 1/2" x 45 1/2") x 4
Small Solid Wall Panels (34 1/8" x 75") x 4
Bottom Wall Plates Short (1 1/2" x 2 1/2" x 34 1/8") x 4

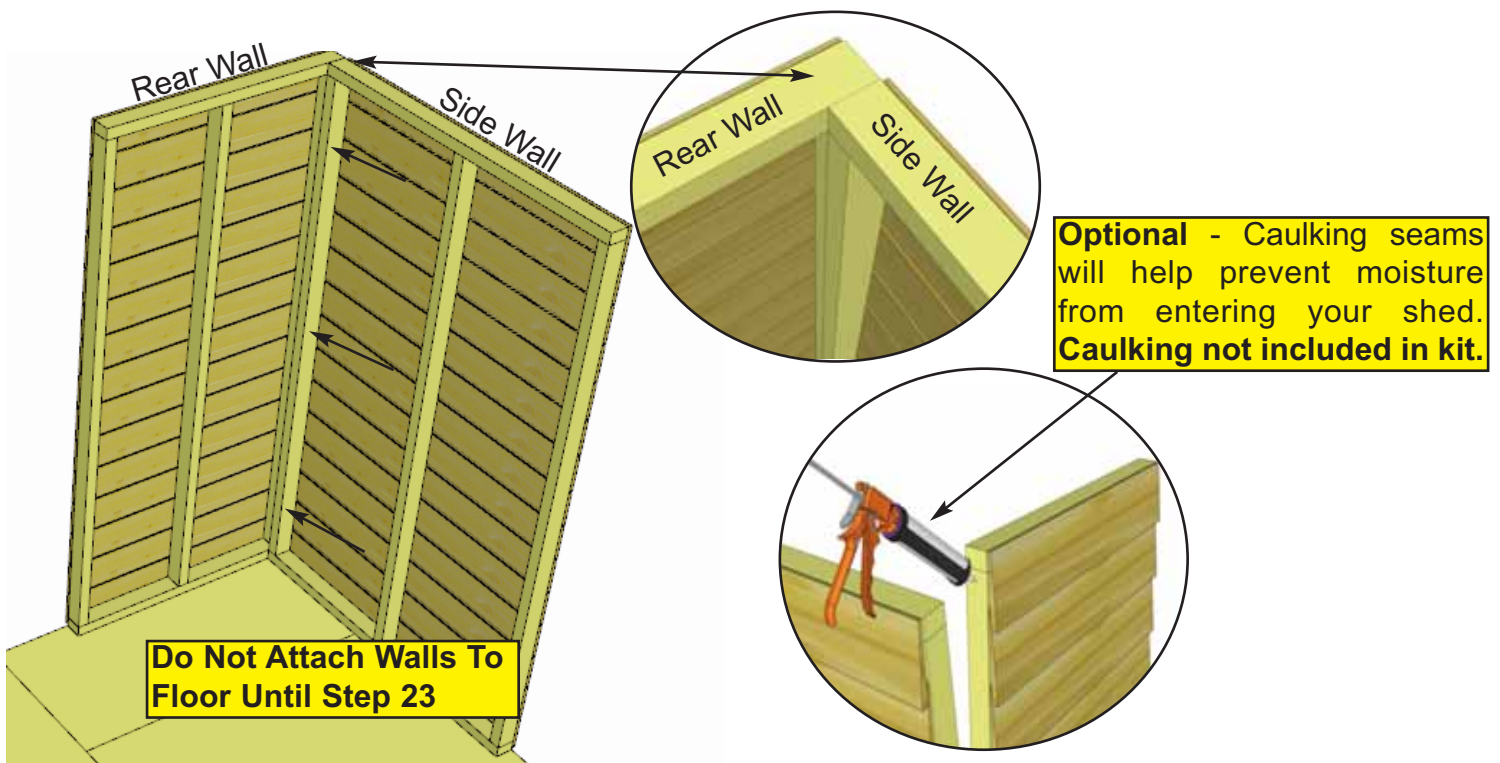
Hardware
S1 - 2 1/2" Screws x 24 total



Important - Make sure all walls are aligned in their upright position. If not, water may leak into your shed. Unsure if panel is facing up or down? Compare solid wall siding to window wall siding and match orientation.

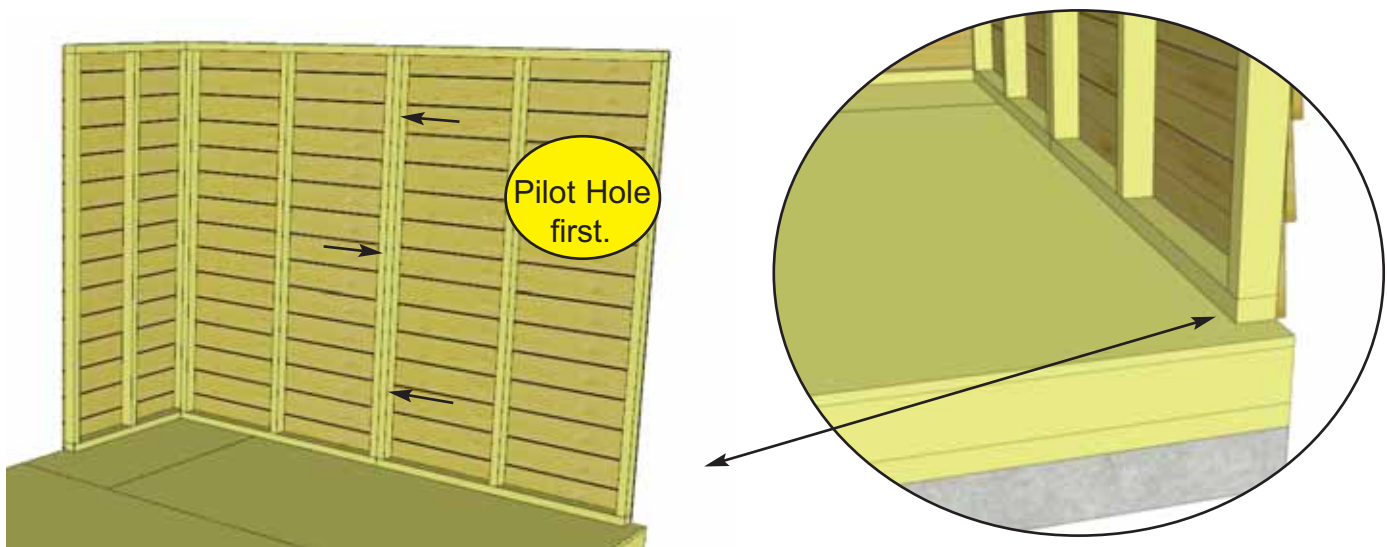
15. Starting at Rear Corner, position a **Small Solid Wall Panel** on top of plywood floor. The Wall Panel bottom framing will sit flush with plywood. Wall siding will overhang the floor. The Rear Wall panels will sit flush at the end of the plywood floor with the side wall panels sandwiched between them
Note: Siding will overhang the floor by approximately 5/8".



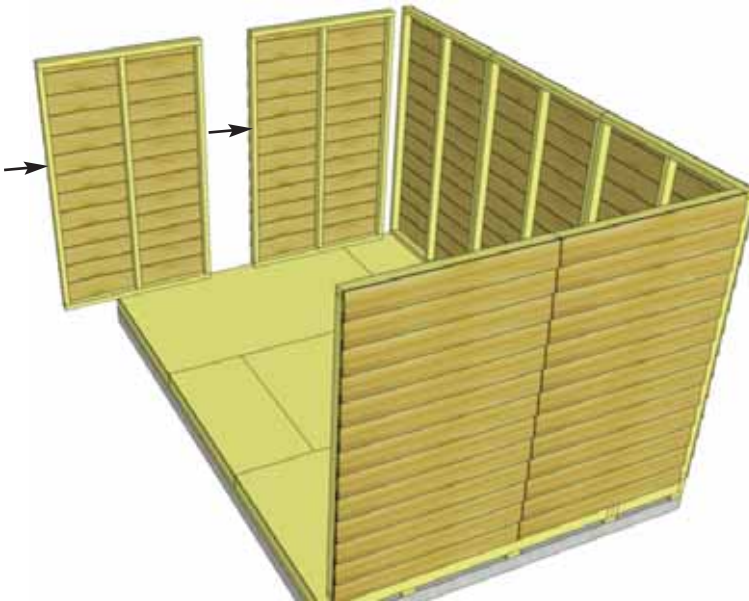
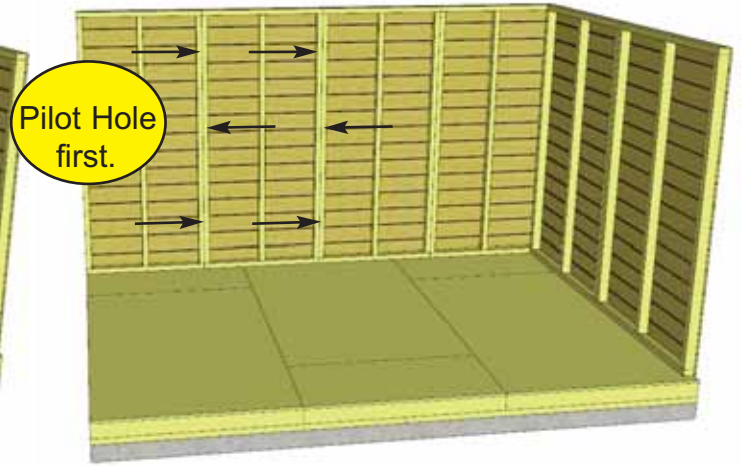
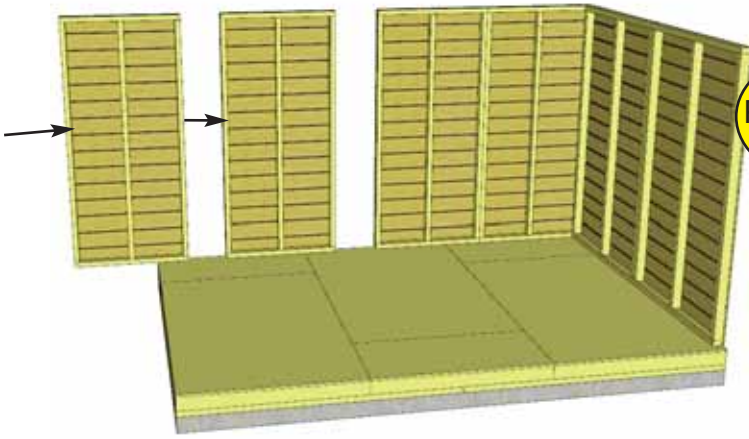
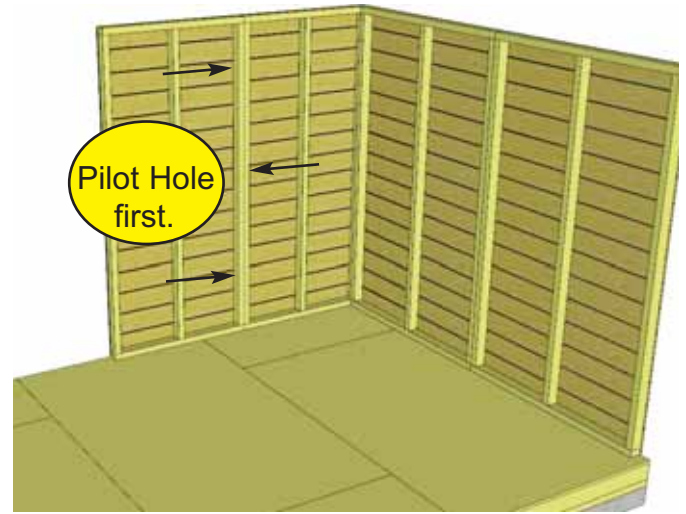
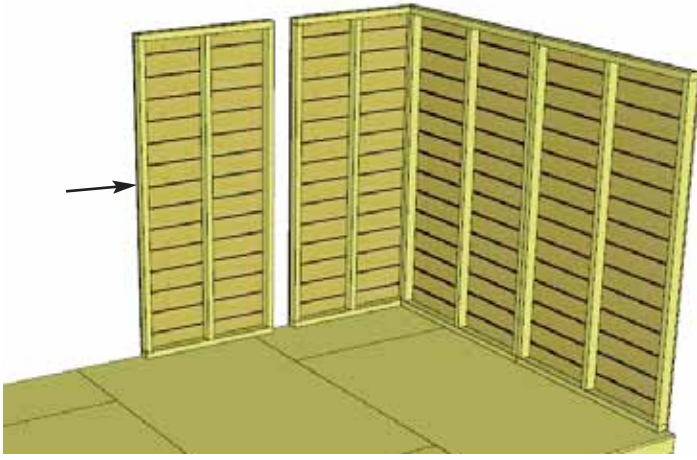


16. Position side **Solid Wall Panel** into place on plywood floor. Butt both vertical wall studs of side and rear walls together and attach with **3 - 2 1/2" Screws**. Screw at the bottom, middle and top of stud to secure properly.

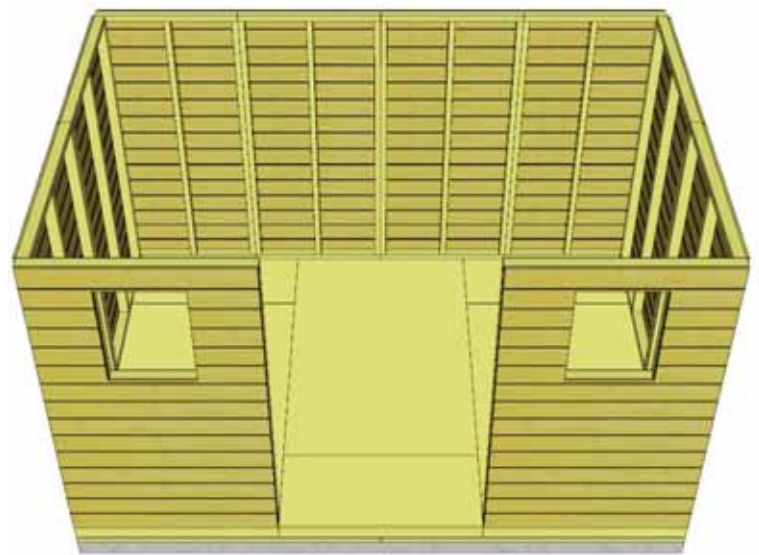
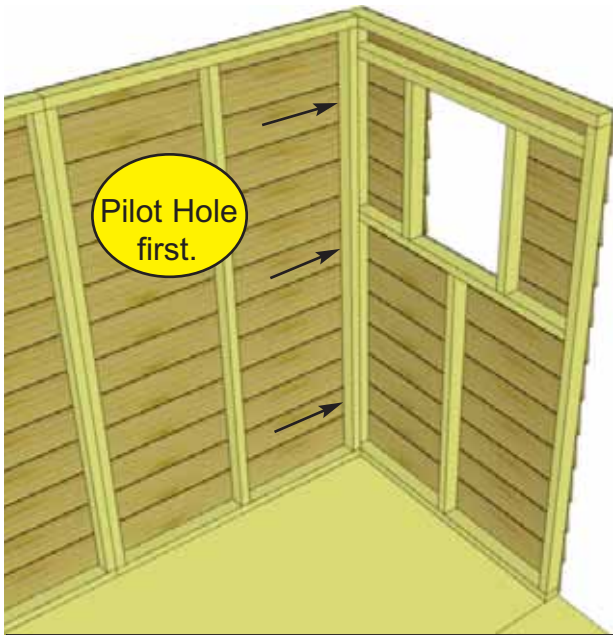
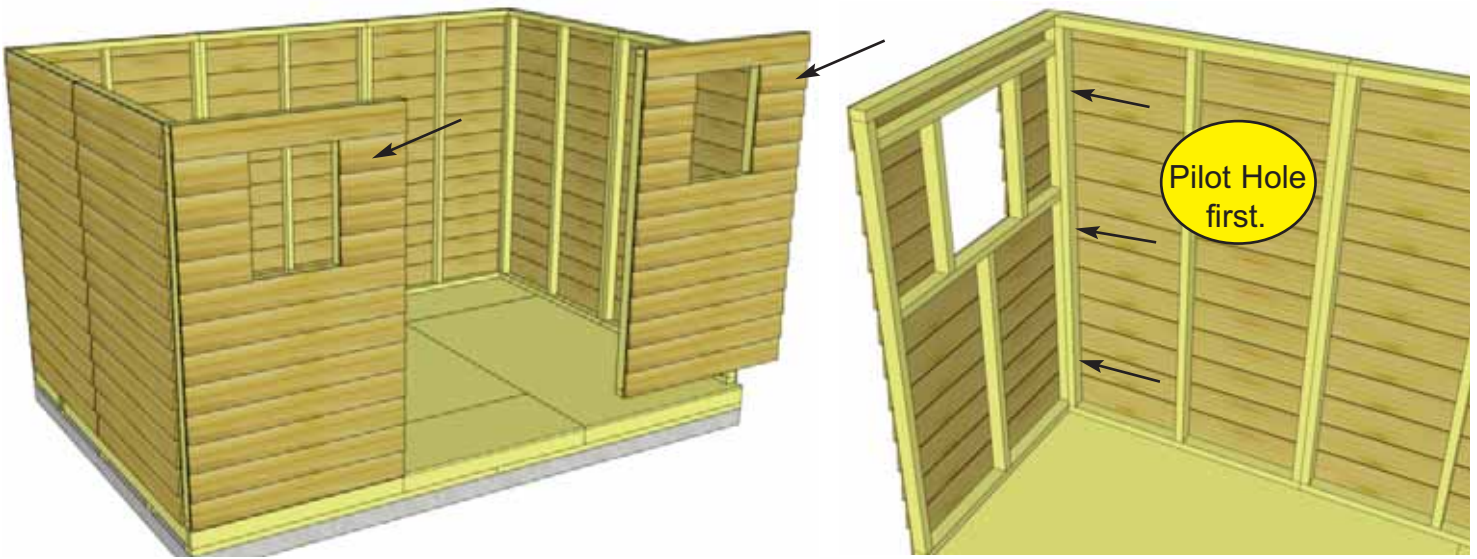
Hardware (Steps 16 -18)
S1 - 2 1/2" Screws
 x 21 total



17. With the corner wall attachment complete, position a second Side **Solid Wall Panel** in place so bottom 2x3 wall framing is sitting flush with outside floor joists and plywood floor. Wall siding should overhang floor by approximately 5/8". When positioned correctly, attach both Side Wall panel studs together as shown.



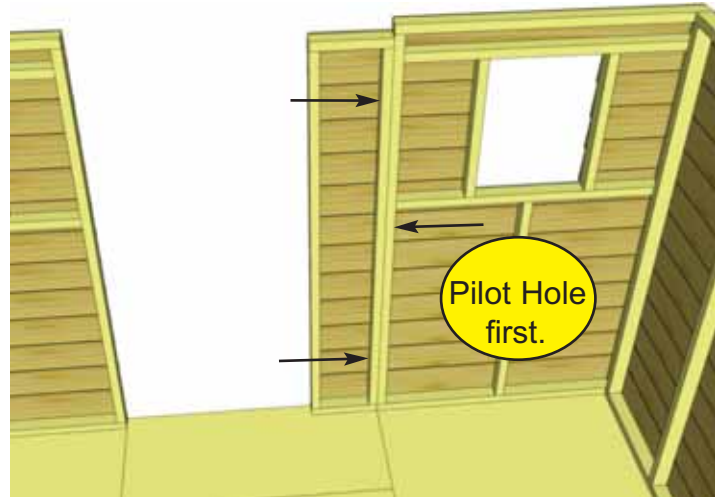
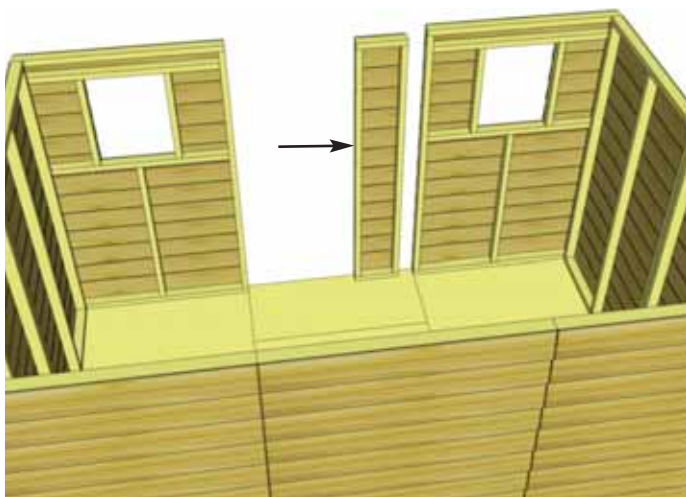
18. Complete all **Side** and **Rear Wall** attachments as per **Steps 15 - 17**. The rear wall is made up of four **Small Solid Wall Panels**.



19. Position and attach both **Window Walls** as per **Steps 15 - 18.**

Parts
Window Walls
(45 1/2" x 75") x 2

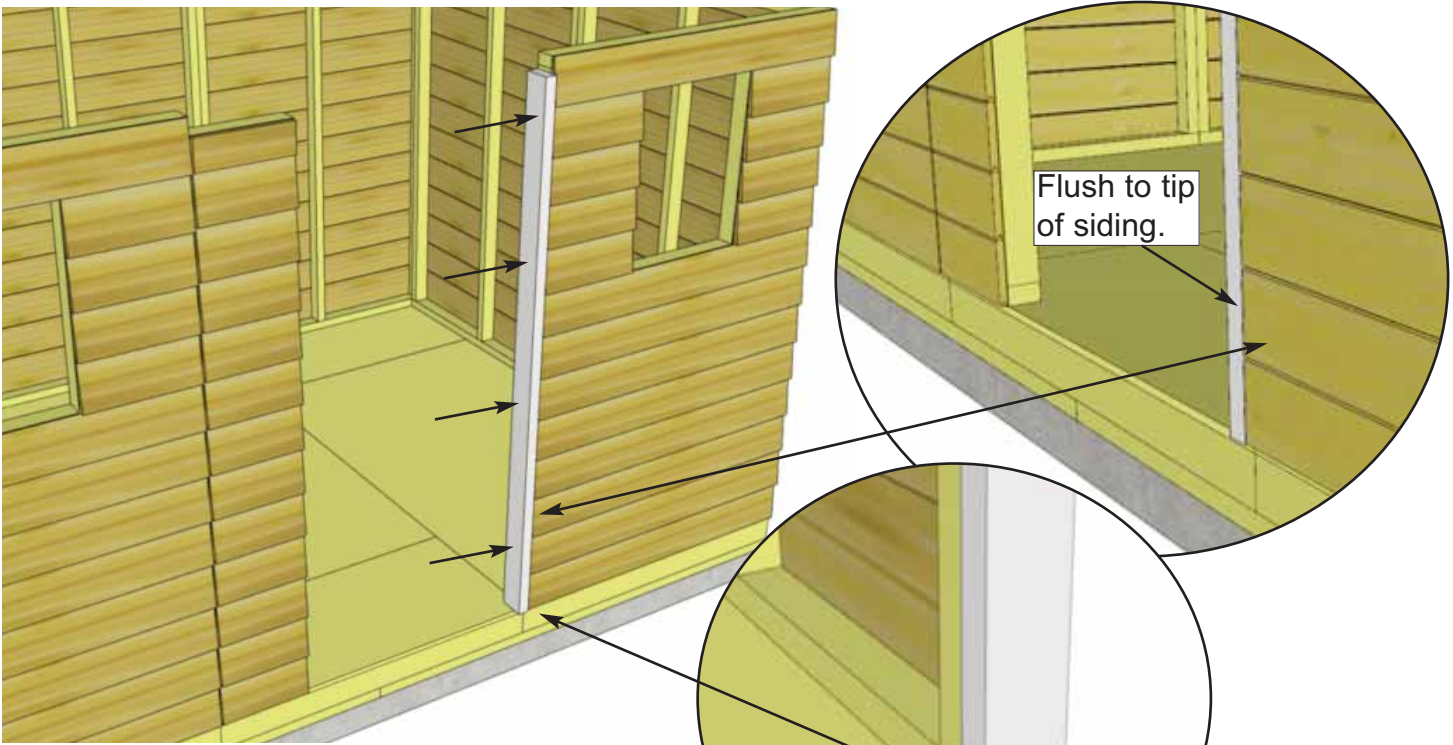
Hardware
S1 - 2 1/2" Screws
x 6 total



20. Position and attach **Narrow Wall** as per **Steps 15 - 18.**

Parts
Narrow Wall
(12" x 73") x 1

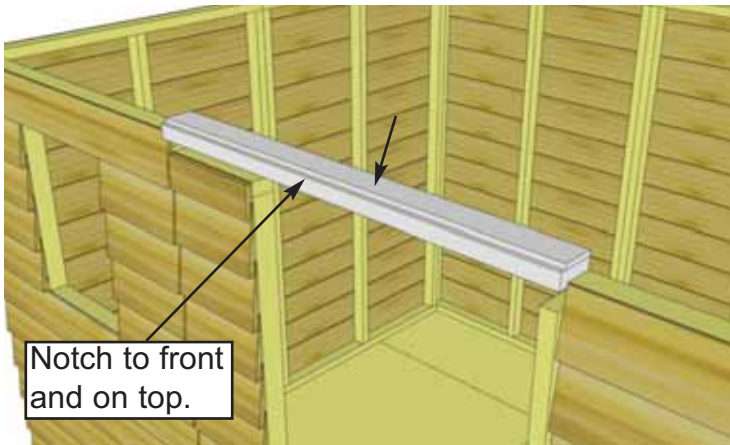
Hardware
S1 - 2 1/2" Screws
x 3 total



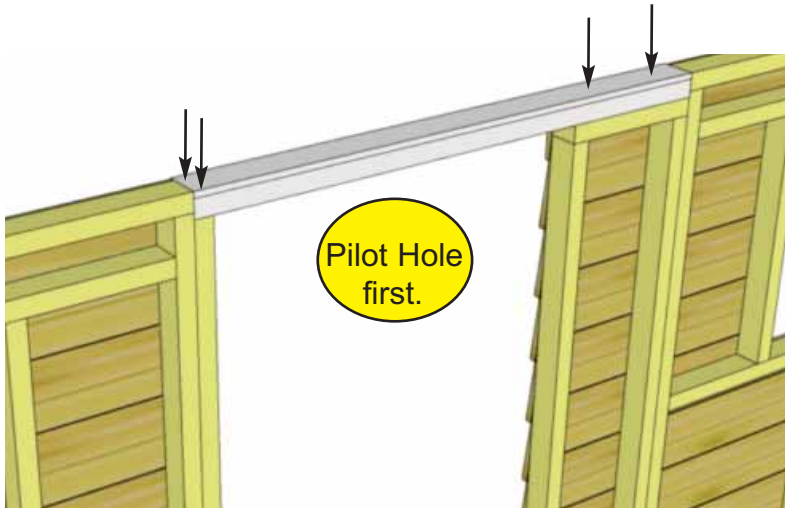
21. Attach **Vertical Door Jamb** to Window Wall stud in door opening with **4 - 2 1/2" Screws**. Position so Jamb is flush with tip of T&G siding on front Window Walls.

Parts	Hardware
Vertical Door Jamb (1 1/2" x 3 1/8" x 73") x 1	S1 - 2 1/2" Screws x 4 total

Flush with Window Wall stud on inside.



Notch to front and on top.



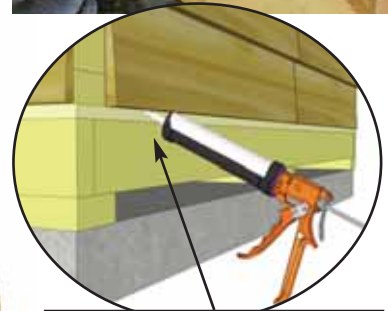
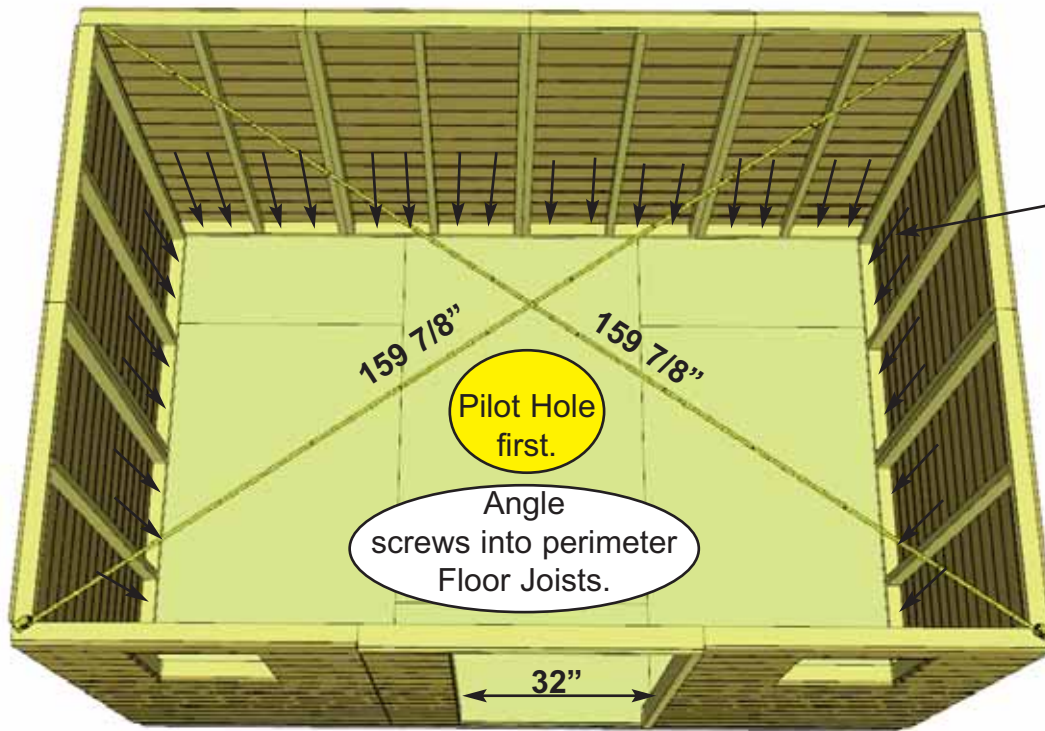
Pilot Hole first.

22. Attach **Door Header** to Vertical Door Jamb and Narrow Wall with **2 - 2 1/2" Screws** per side. Header is 3 1/8" wide at bottom and has a 1/2" thick x 3" wide strip of wood stapled to the top creating a notch or dado effect. This notch needs to be positioned on the top facing the front. The notch is necessary as the roof panel may hang up on the Header and must sit flush on the rafter tops when attached. **Pre-drill to prevent splitting!**

Parts
Door Header (2" x 3 1/8" x 45 1/2") x 1
Hardware
S1 - 2 1/2" Screws x 4 total

Advice: Prior to fastening walls and installing rafters, take time to confirm your walls are level, square and plumb.

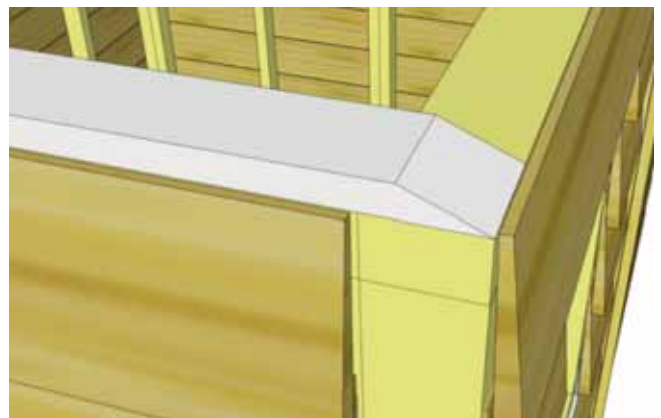
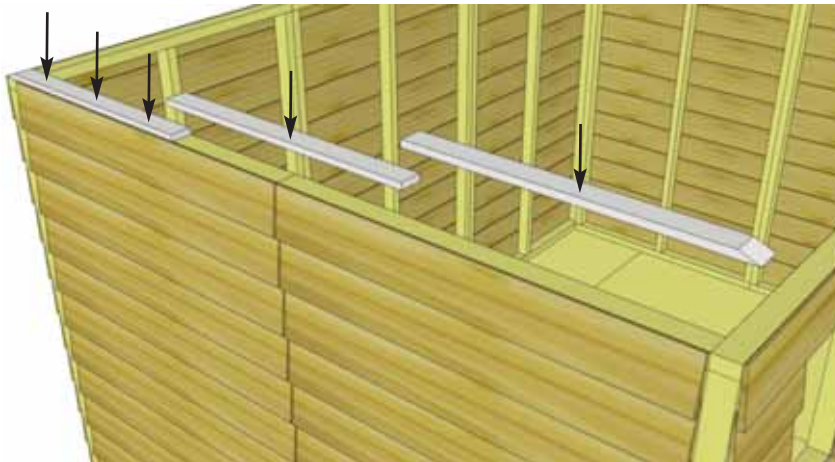
Measure diagonal at top and bottom of walls corner-to-corner. This should be approximately 159 7/8". More importantly, if measurements are not within 1/4", your walls are not square. Adjusting now will make it easier to install roof section.



Optional - Caulking seams will help prevent moisture from entering your shed. **Caulking not included in kit.**

23. When all walls are attached together, check alignment with the floor. Bottom of wall frames should sit flush with outside of floor framing, with siding overhanging by approximately 5/8". Confirm 32" wide door opening at bottom. When positioned correctly, fasten Bottom Wall Plates to floor using **4 - 2 1/2" Screws** per wall panel.

Hardware
S1 - 2 1/2" Screws
 x 42 total



24. Position **Side Top Plates** (one side only) on top of wall studs so they are flush on the inside. There are 3 Side Top Plate pieces per side (2 angle cut on one end and one straight cut - both ends). Together, the plates should be centered evenly on the wall left to right. Attach by screwing down into top wall framing with **3 - 2" Screws** per plate.

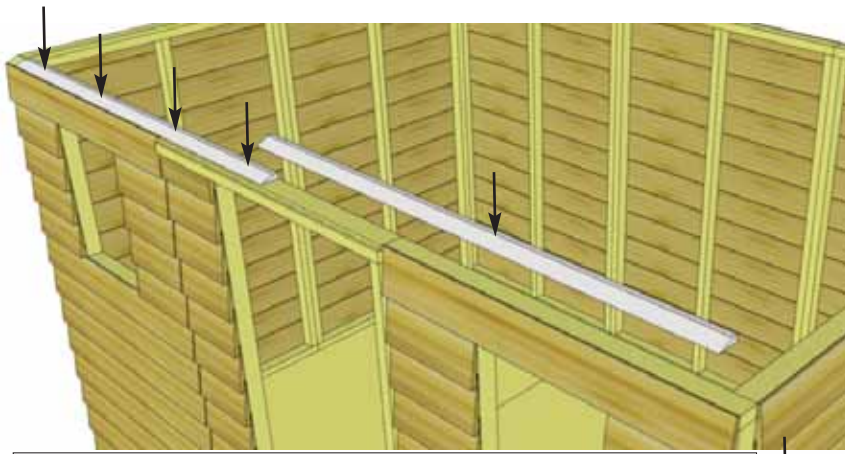
Parts (Steps 24 - 25)

Side Wall Top Plates - 4 Angle Cut End, 2 Straight Cut
 (3/4" x 2 1/2" x 32") x 6

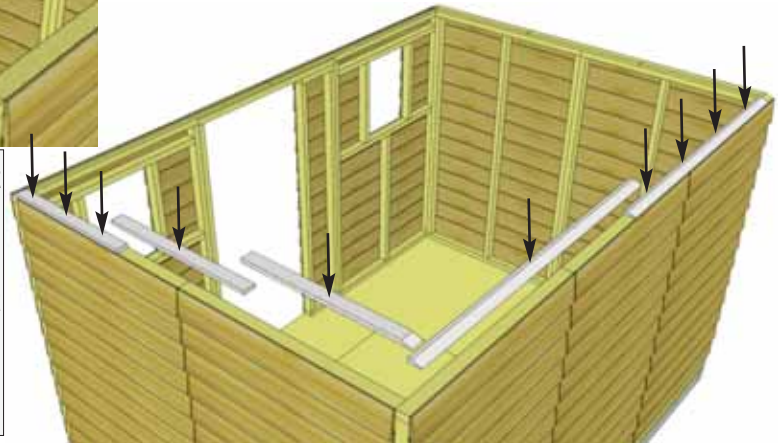
Front & Rear Wall Top Plates - Angle Cut Edge
 (3/4" x 2 1/2" x 65 3/4") x 4

Hardware (Steps 24 - 25)

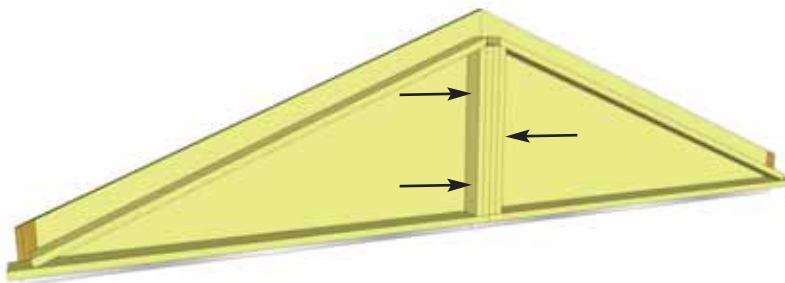
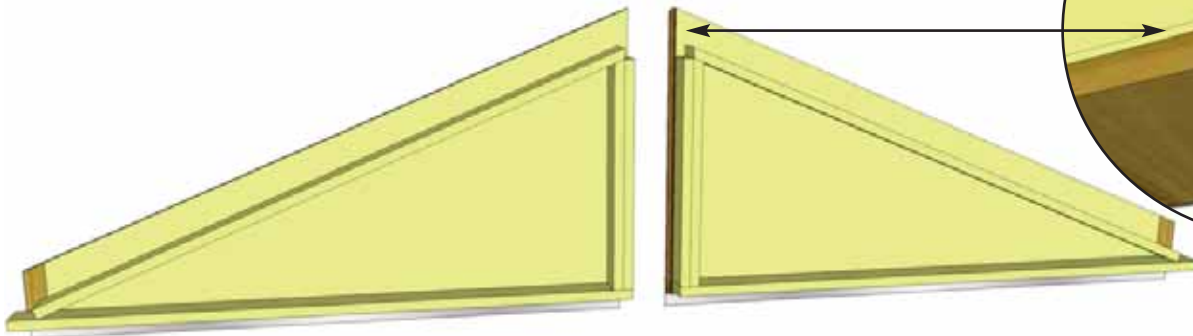
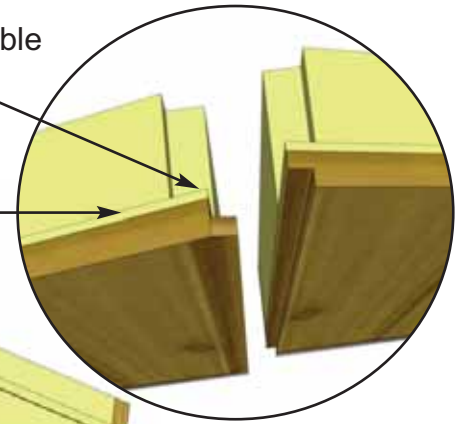
S3 - 2" Screws
 x 34 total



25. Next, attach the **Front Top Plates**. The Front and Rear Top Plates are angle cut down the length. Once again, position Top Plates on wall frame so they are flush. Front and Rear Top Plates will fit between Side Top Plates. Attach with **4 - 2" Screws** per plate. Complete all other **Side & Rear Top Plate** attachments the same.



Male / Female Gable Siding Overlap



26. Locate **Triangular Gable Half Walls** for both sides of the shed. Align framing and wall siding lap together. Screw center wall framing of each piece together with **3 - 2 1/2" Screws**. **Note:** Prior to attaching, try each combination of Gables for best fit.

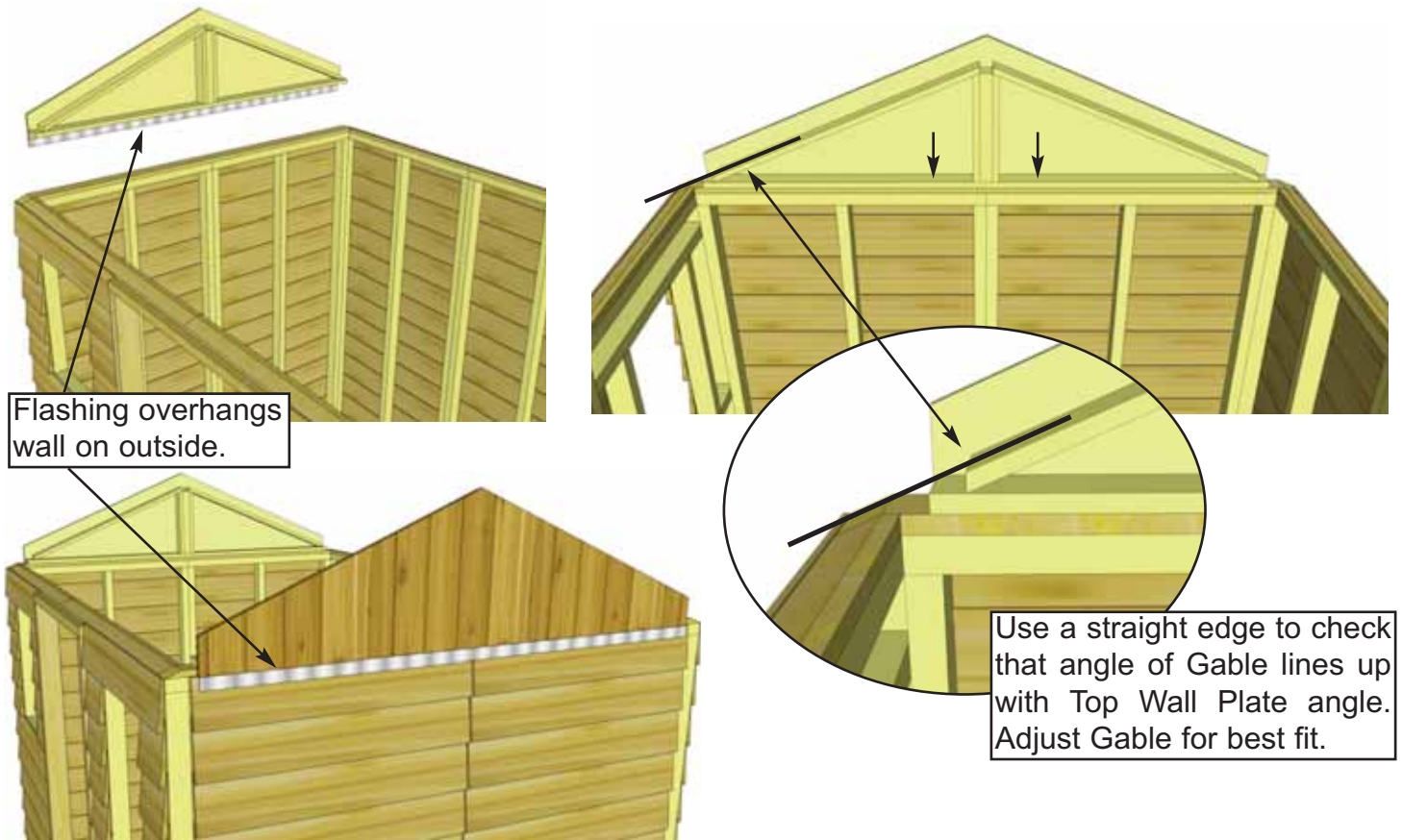
Parts

Triangular Gable Half Walls x 4

Hardware

S1 - 2 1/2" Screws x 6 total



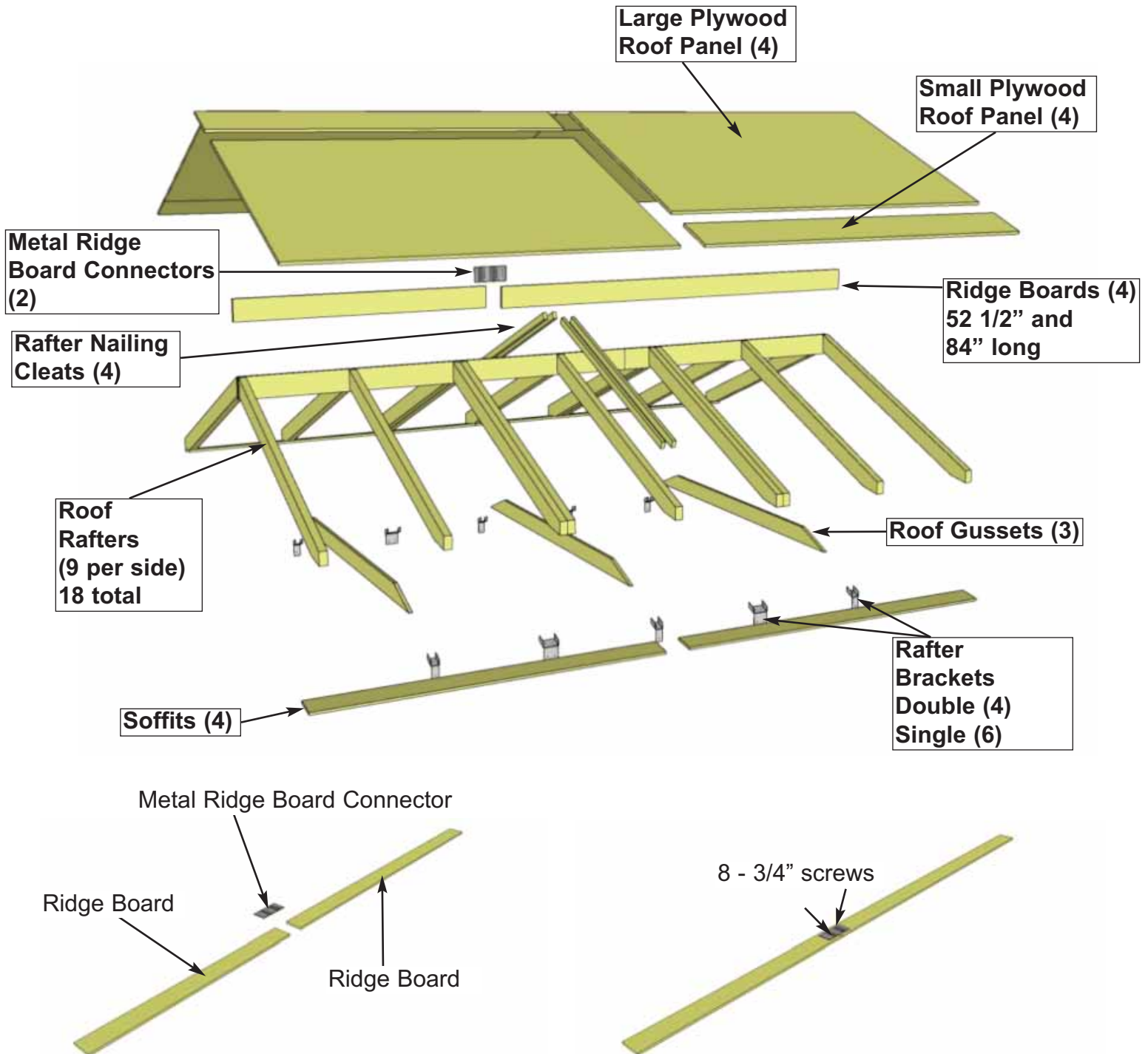


27. Place completed Gable section so framing sits flush with the inside of the Top Wall Plate. It should also be centered side-to-side on the Top Wall Plate. Gable Flashing overhangs wall on the outside. Temporarily attach to Gables and Top Wall Plate with **2 - 2" Screws**. Gables may need slight adjustment in **Step 37** when attachment will be completed with an additional 6 Screws. Screw from the bottom of Gable framing down into Top Wall Plate and Wall Framing. Complete Gable positioning and attachment on the other side.
Hint: Use a straight edge to check the angle of the Gable framing and Top Plate. Both angles should line up (see diagram above).

Hardware
S3 - 2" Screws x 4 total

C. Rafter and Roof Section

Exploded view of all parts necessary to complete the Roof Section.
Identify all parts prior to starting.



28. Locate (1 each) **Long & Short Ridge Boards** and attach together with a metal **Ridge Board Connector** using **8 - 3/4" Screws**. Total Length when connected is 136 1/2". Connect other set of Ridge Boards the same. Position metal Ridge Board Connector evenly on Ridge Boards.

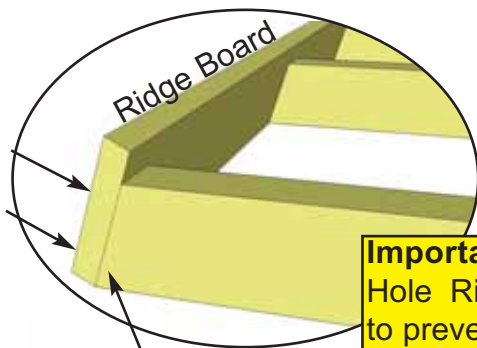
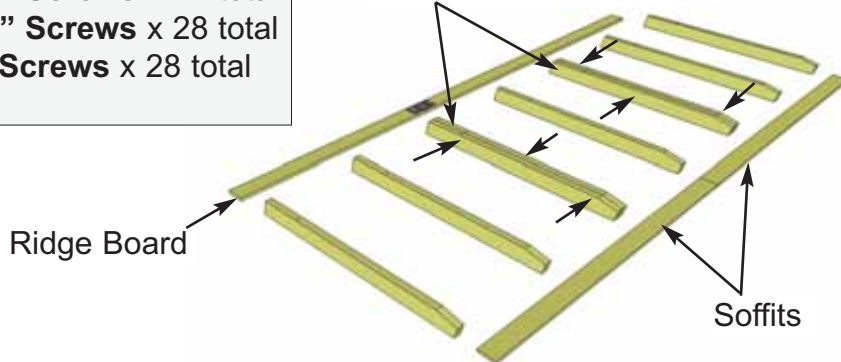
Parts
Ridge Boards - Long (3/4" x 4 1/2" x 84") x 2
Ridge Boards - Short (3/4" x 4 1/2" x 52 1/2") x 2

Hardware
SS2 - 3/4" Screws x 16 total
Y9 - Ridge Board Connector x 2 total

29. Locate 9 **Rafters**, 2 **Soffits** and a completed Ridge Board. Lay out on level ground as shown to the right. Double up Rafters as illustrated. Screw doubled up Rafters together with **3 - 2 1/2" Screws** per piece.

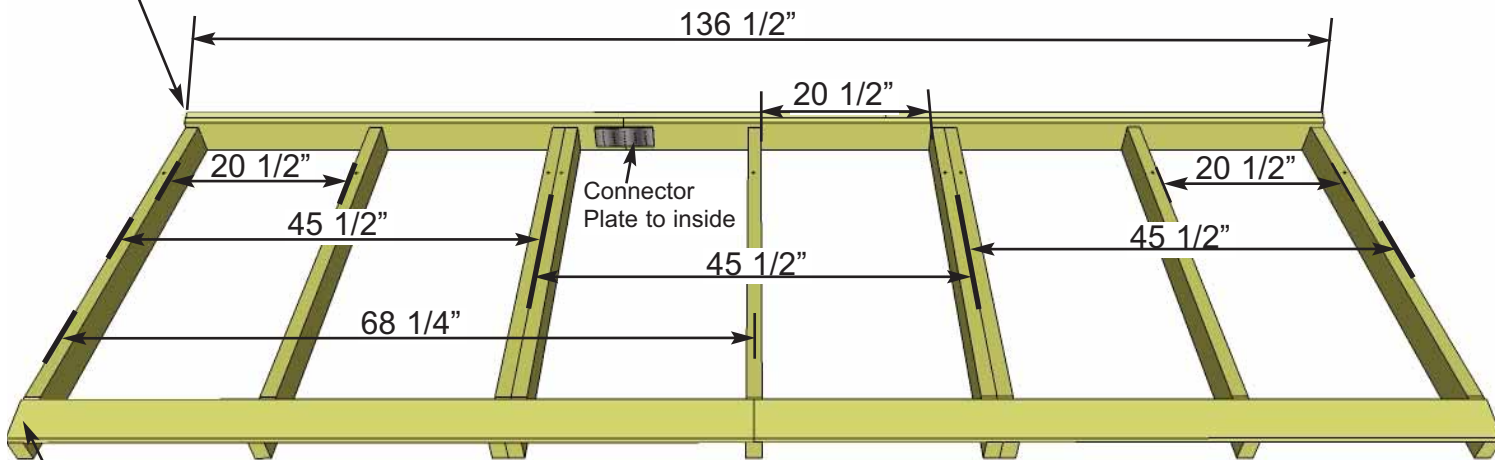
Parts (Steps 29 - 31)	Hardware (Steps 29 - 31)
Rafters (1 1/2" x 3 1/2" x 56 1/2") x 18	S1 - 2 1/2" Screws x 12 total
Soffits (1/2" x 4 1/2" x 68 1/4") x 4	S2 - 1 1/4" Screws x 28 total
	S3 - 2" Screws x 28 total

Doubled up Rafters - screw together with 3 - 2 1/2" Screws.

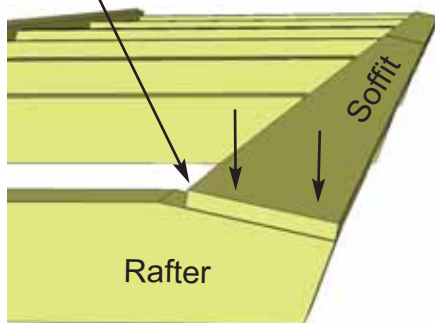


Important: Pilot Hole Ridge Board to prevent splitting!

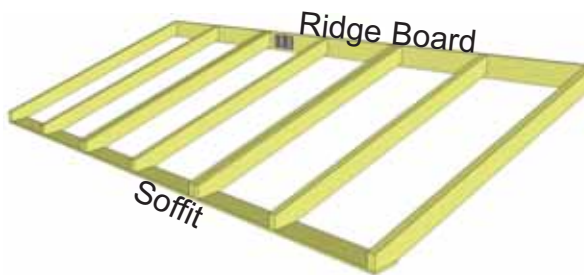
30. Attach completed Ridge Board to ends of both outside Rafters with **2 - 2" Screws** per end. Measure and position interior Rafters as illustrated below. When positioned correctly, attach Ridge Board to remaining Rafters with **2 - 2" Screws** / Rafter end.



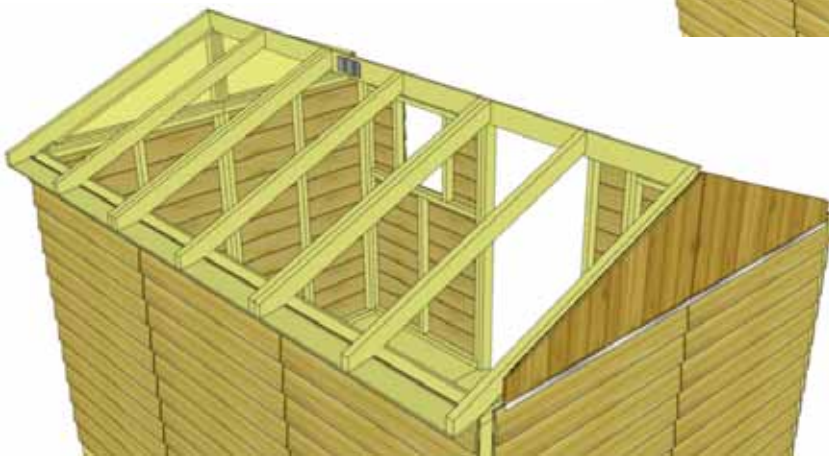
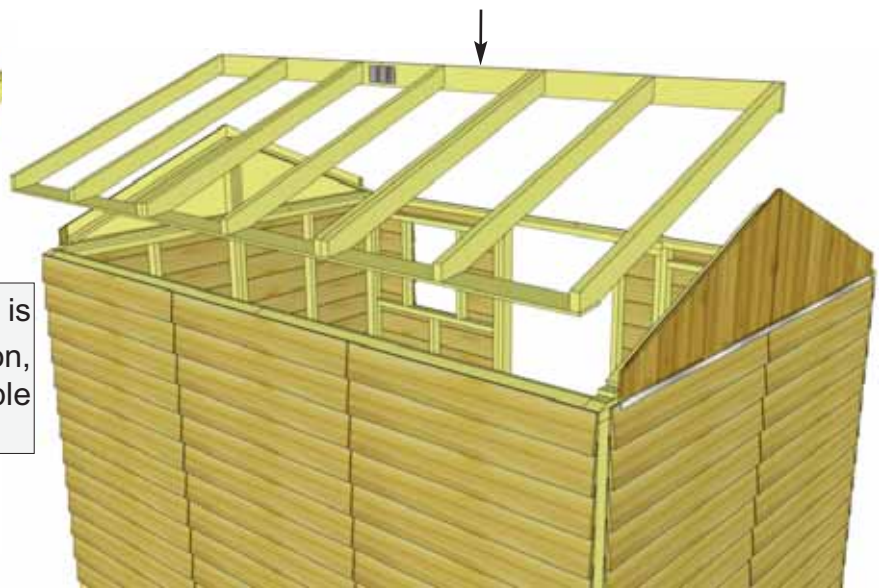
Important: Pilot Hole Soffit to prevent splitting!



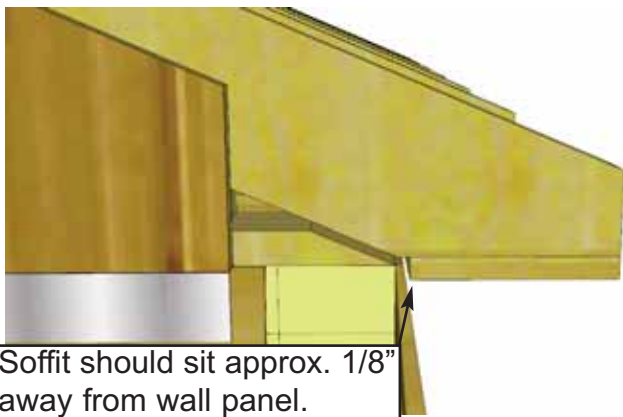
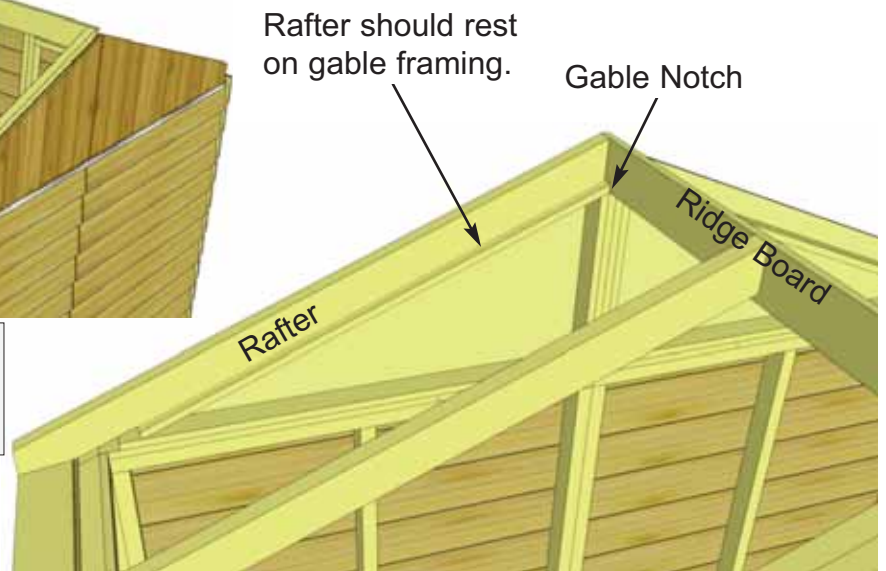
31. Attach end of a Soffit flush to ends of outside rafters with **2 - 1 1/4" Screws** per Rafter end. Drill pilot holes in Soffit to prevent splitting. Complete both outside Rafter / Soffit connections first. Measure and position interior Rafters as illustrated above. When positioned correctly, attach Soffit to remaining Rafters with **2 - 1 1/4" Screws** per Rafter. Flip completed rafter section over. Complete 2nd Rafter section now as per the , but with the following exception - **When attaching Ridge Board to Rafter ends, make sure Metal Ridge Board Connector is positioned so offset to first Rafter Section. See Step 36 for illustration.**



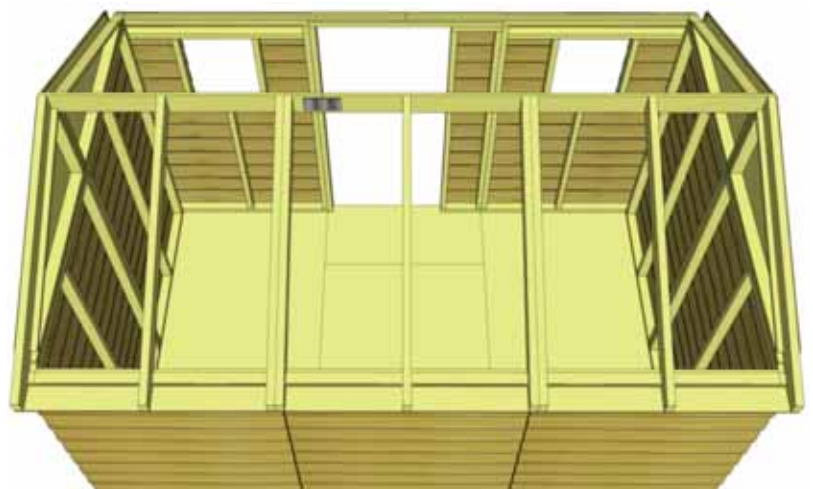
32. Flip Rafter Section over so Soffit is facing down. Starting with the rear Section, lift completed rafters up and place on gable framing.



33. Slide Rafter Section up on gable framing until bottom of Ridge Board slips into gable notch.

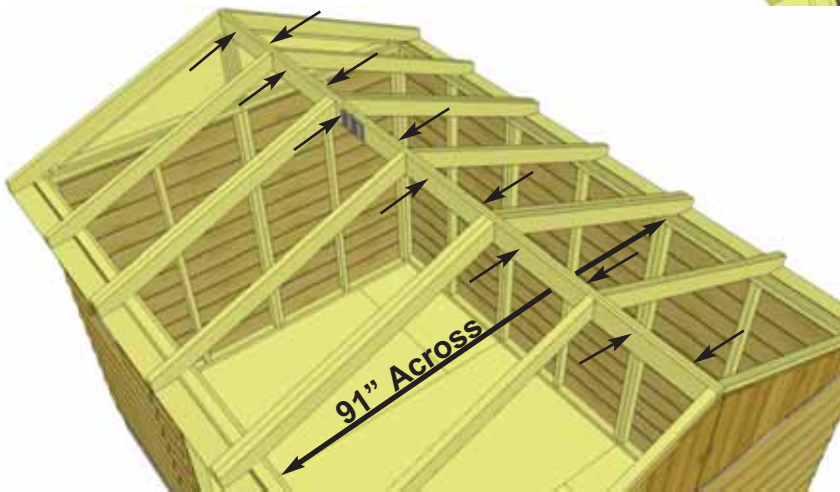
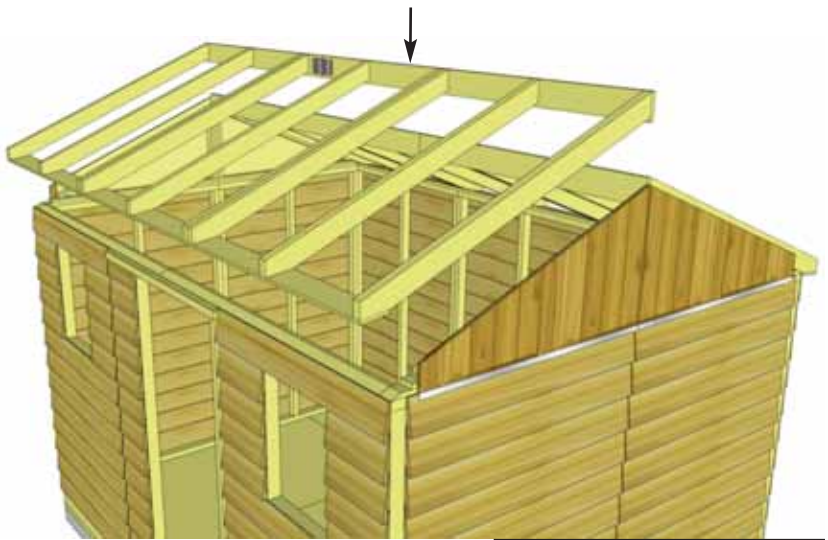
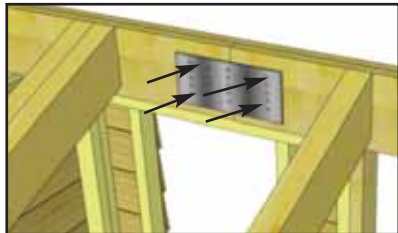
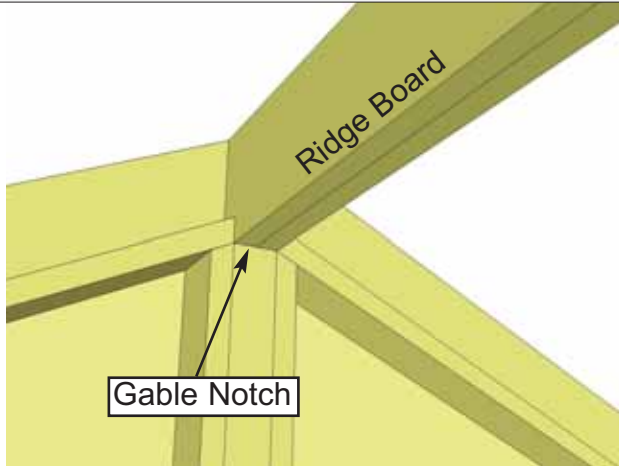


Soffit should sit approx. 1/8" away from wall panel.



34. When Rafter Section is correctly positioned, outside rafters will sit equally on gable framing and Soffit will sit approximately 1/8" away from wall panels.

35. Place front completed Rafter Section on gable walls as per **Steps 32 - 34.**



36. At the peak, align Ridge Boards so they are flush together and secure them with **12 - 1 1/4" Screws.**

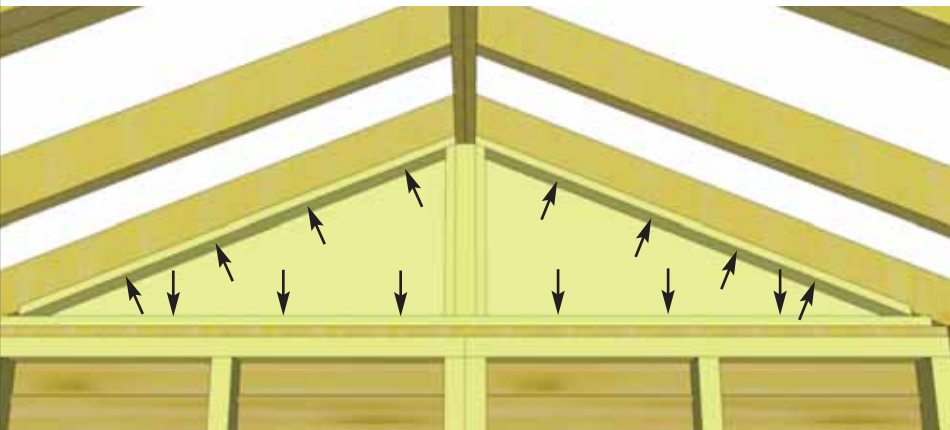
Important: If there is a gap between Ridge Boards, have a helper push the front and rear walls closer together from outside. Walls should be 91" apart at top from inside of wall plate to opposite wall plate. To completely secure Ridge Boards, place **1 1/4" Screws** into any of the remaining metal Ridge Board Connector holes. Complete both sides.

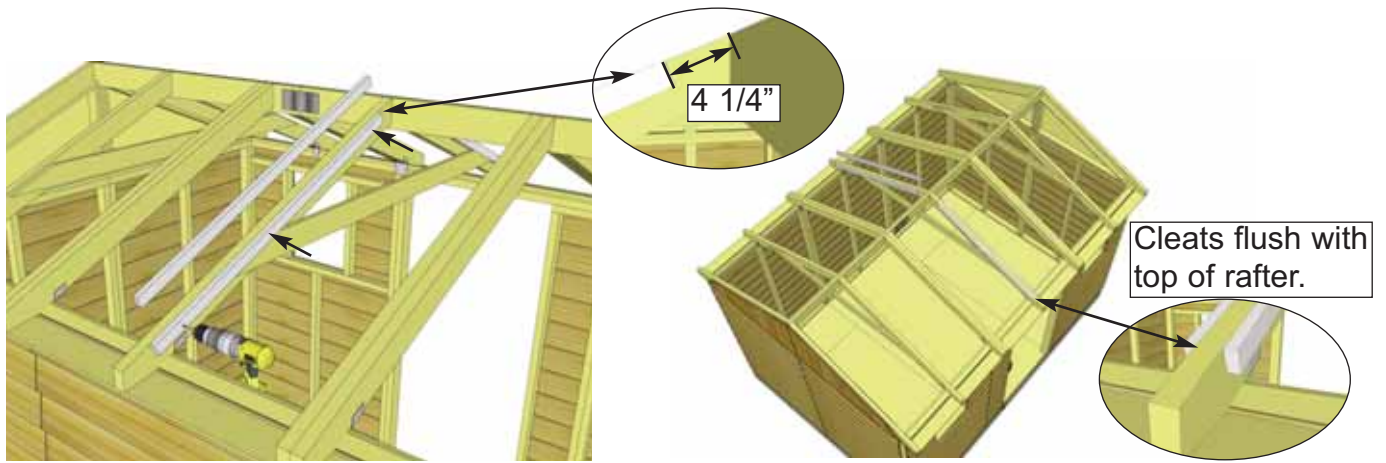
Hardware
S2 - 1 1/4" Screws x 20 total (approx.)

37. With both Ridge Boards connected, completely secure Gable framing to walls and rafters. Use **4 - 2" Screws** per Rafter. Use an additional **6 - 2" Screws** to secure Gable to wall.

Note: you may have to remove the 2 temporary screws in Gable from Step 27 and reposition Gable for best fit prior to completing Gable attachment.

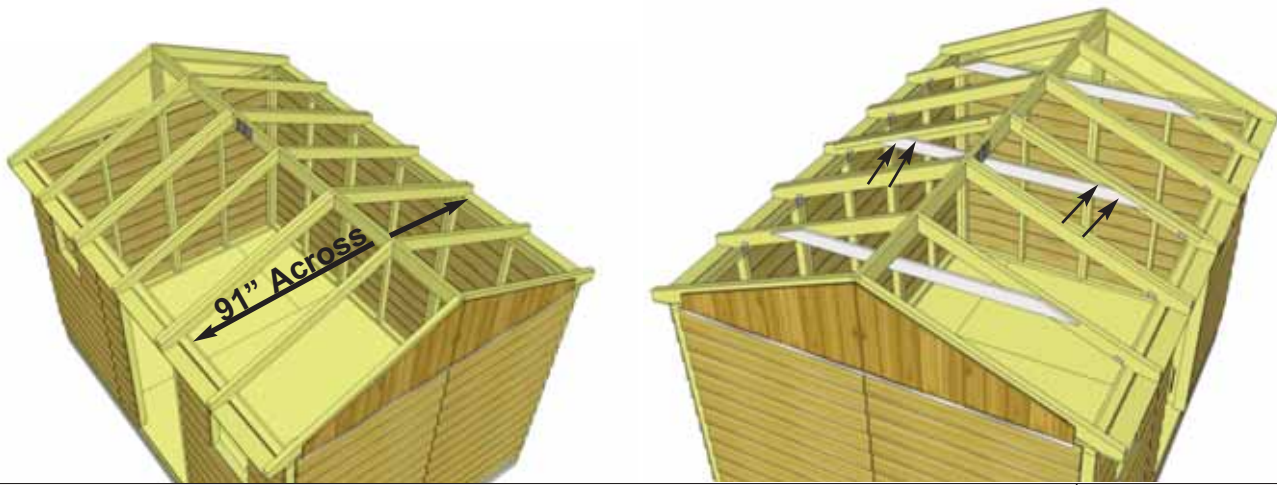
Hardware
S3 - 2" Screws x 28 total





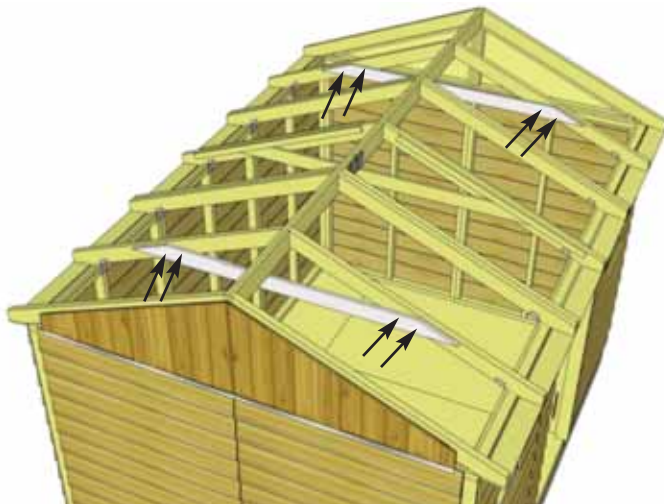
38. Attach **2 - Rafter Nailing Cleats** on the middle **Rafter** on both sides of shed. Cleat will sit **4 1/4"** from end of **Rafter** and **Ridge Board**. Cleats aligned flush with top of rafter and attached with **3 - 1 1/4"** screws per piece.

Parts (Step 38)
Rafter Nailing Cleat
 (3/4" x 1 1/2" x 48") x 4
 Hardware (Step 38)
S2 - 1 1/4" Screws
 x 12 total



39. **Roof Gussets** are positioned on mid rafters. Have two helpers push the Front and Rear Walls at the top from the outside of shed until inside to inside measurement between the Top Plates is **91"**. Slide Gusset up on side of Rafters. Gusset must be below top edge of Rafter. Use level to square Gusset and attach to Rafters with **4 - 2" Screws**. Pilot hole each Gusset end with 1/8" drill bit.

Parts (Steps 39 - 40)
Roof Gussets
 (3/4" x 3 1/2" x 72") x 3
 Hardware (Steps 39 - 40)
S3 - 2" Screws
 x 12 total



40. Complete remaining 2 Gussets as per **Step 39**.

41. Attach all Single and Double Rafter Brackets where rafters meet Top Wall Plates inside of shed. Attach with **2 - 1 1/4" Screws** and **2 - 2" Screws** per **Single Rafter Bracket** and **6 - 2" Screws** per **Double Rafter Bracket**.

Have two helpers hold the Front and Rear Walls at the top from the outside of shed to keep the inside-to-inside measurement between the Top Plates at 91".

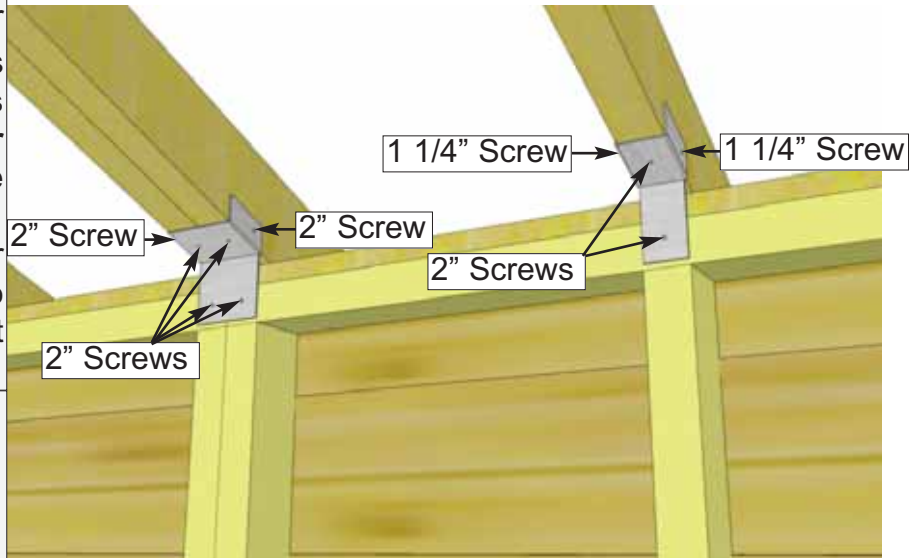
Hardware

Y30 - Single Rafter Brackets x 6 total

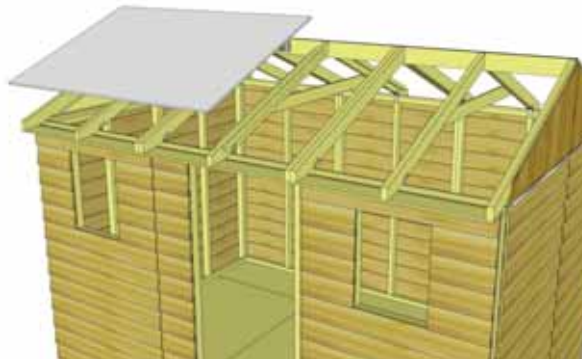
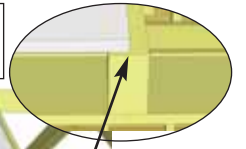
Y31 - Double Rafter Brackets x 4 total

S2 - 1 1/4" Screws x 12 total

S3 - 2" Screws x 36 total



Centered on 5th Rafter and recessed 1/8" from Rafter end.



Overhang outside rafter by 3 3/4".

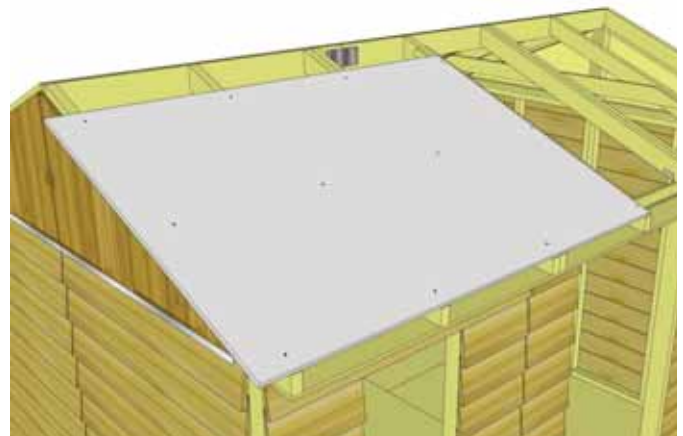
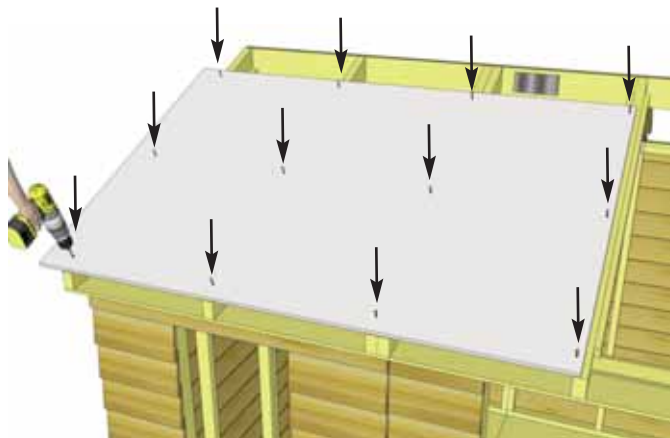
42. Locate one sheet of **Roof Plywood Large**. Position on right side of shed. Recess plywood back approximately 1/8" from end of **Rafter**. Plywood will overhang outside Rafter by 3 3/4" and on opposite side, plywood will be centered on 5th rafter, being supported by **Rafter Nailing Cleat**.

Parts (Steps 42 - 43)

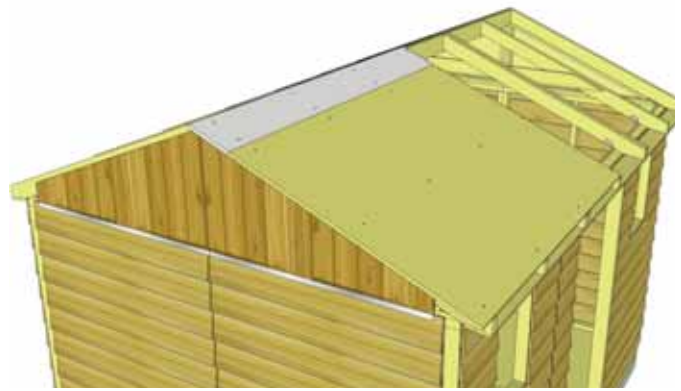
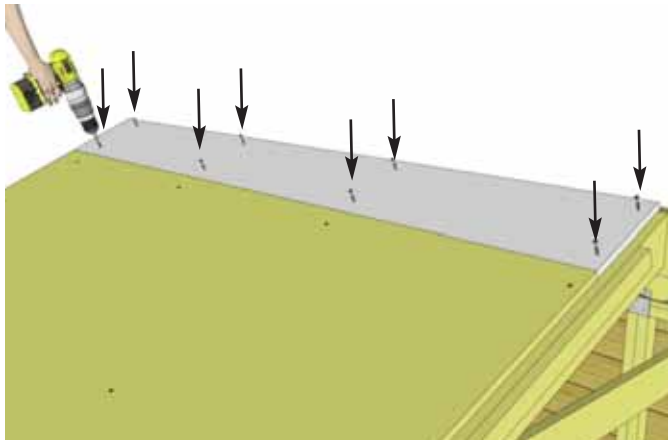
Roof Plywood Large
(5/8" x 48" x 72") x 1

Hardware (Steps 42 - 43)

S2 - 1 1/4" Screws
x 12 total



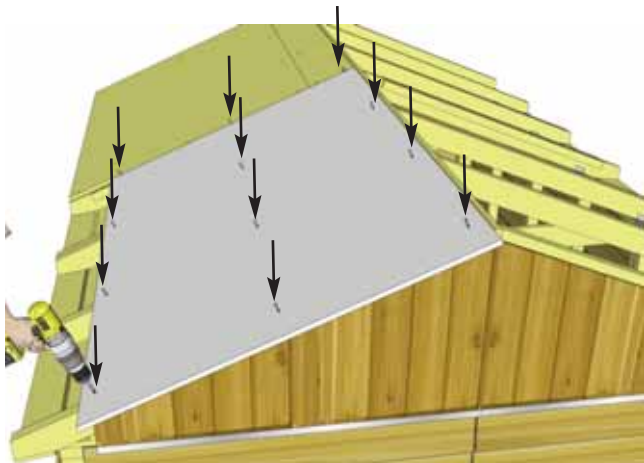
43. With **Roof Plywood Large** correctly positioned on rafters, attach plywood to rafters with **12 - 1 1/4" screws**. On 5th rafter, be sure to angle screw to hit the meat of the rafter.



44. Locate one sheet of **Roof Plywood Small**. Position above previous piece and attach with **8 - 1 1/4"** screws.

Parts (Step 44)
Roof Plywood Small
 (5/8" x 8 5/8" x 72") x 1

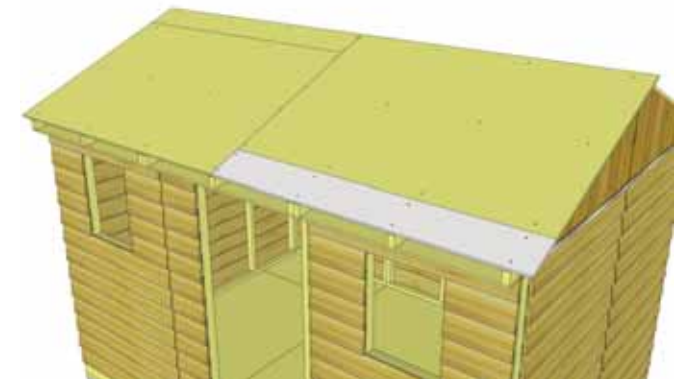
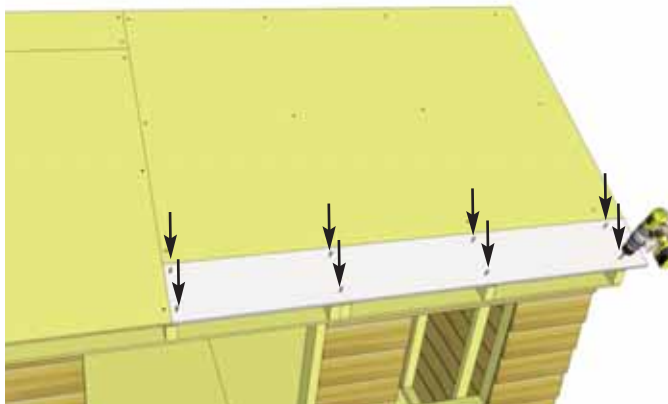
Hardware (Step 44)
S2 - 1 1/4" Screws
 x 8 total



45. Locate second sheet of **Roof Plywood Large**. Position next to first two panels near **Ridge Board** and attach with **12 - 1 1/4"** screws.

Parts (Step 45)
Roof Plywood Large
 (5/8" x 48" x 72") x 1

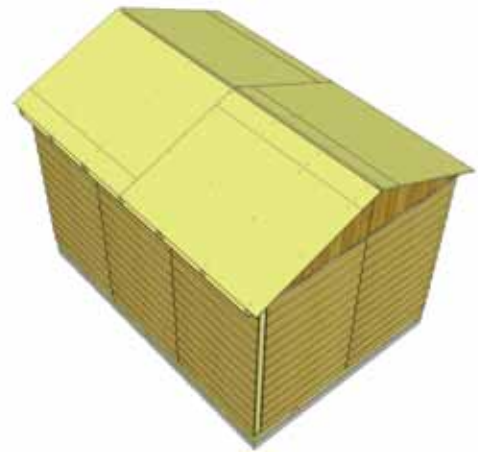
Hardware (Step 45)
S2 - 1 1/4" Screws
 x 12 total



46. Locate second sheet of **Roof Plywood Small**. Position below previous panel and attach with **8 - 1 1/4"** screws.

Parts (Step 46)
Roof Plywood Small
 (5/8" x 8 5/8" x 72") x 1

Hardware (Step 46)
S2 - 1 1/4" Screws
 x 8 total



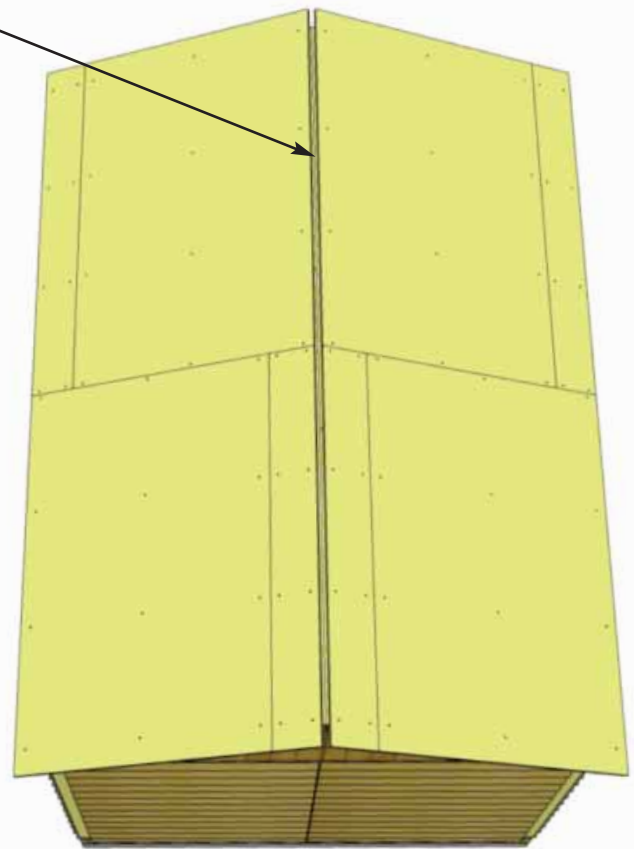
47. Repeat **Steps 42 - 46** to complete opposite side of plywood roof.

Parts (Step 47)
Roof Plywood Small
 (5/8" x 8 5/8" x 72") x 2
Roof Plywood Large
 (5/8" x 48" x 72") x 2

Hardware (Step 47)
S2 - 1 1/4" Screws
 x 40 total

Small gap at apex of roof

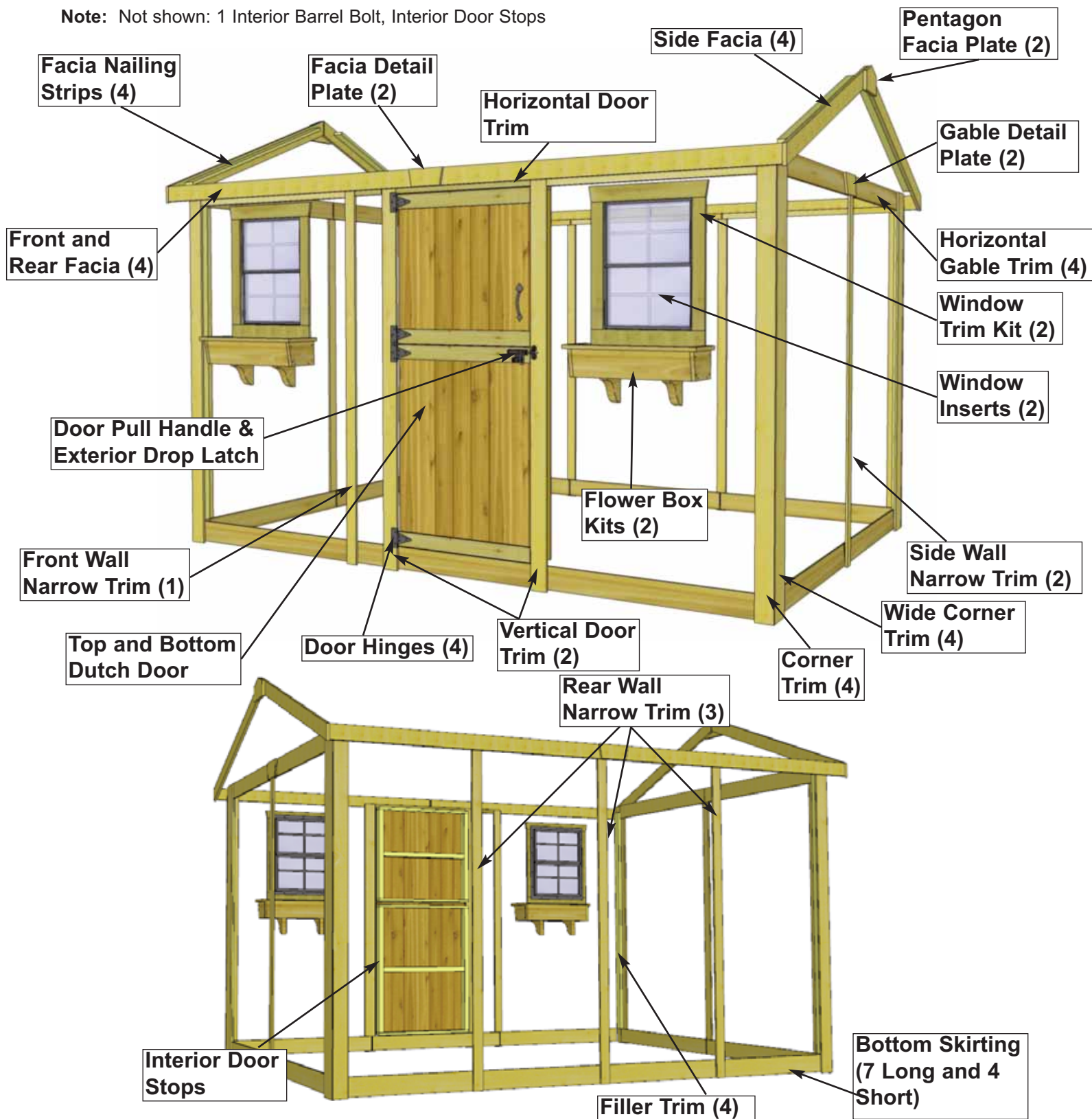
Important: Plywood roof panels must be covered with water proof roofing paper or equivalent material now. Roofing paper and roofing material is not supplied in this kit. Leaving plywood roof panels unprotected will result in water damage to the shed as well as delamination of the plywood.



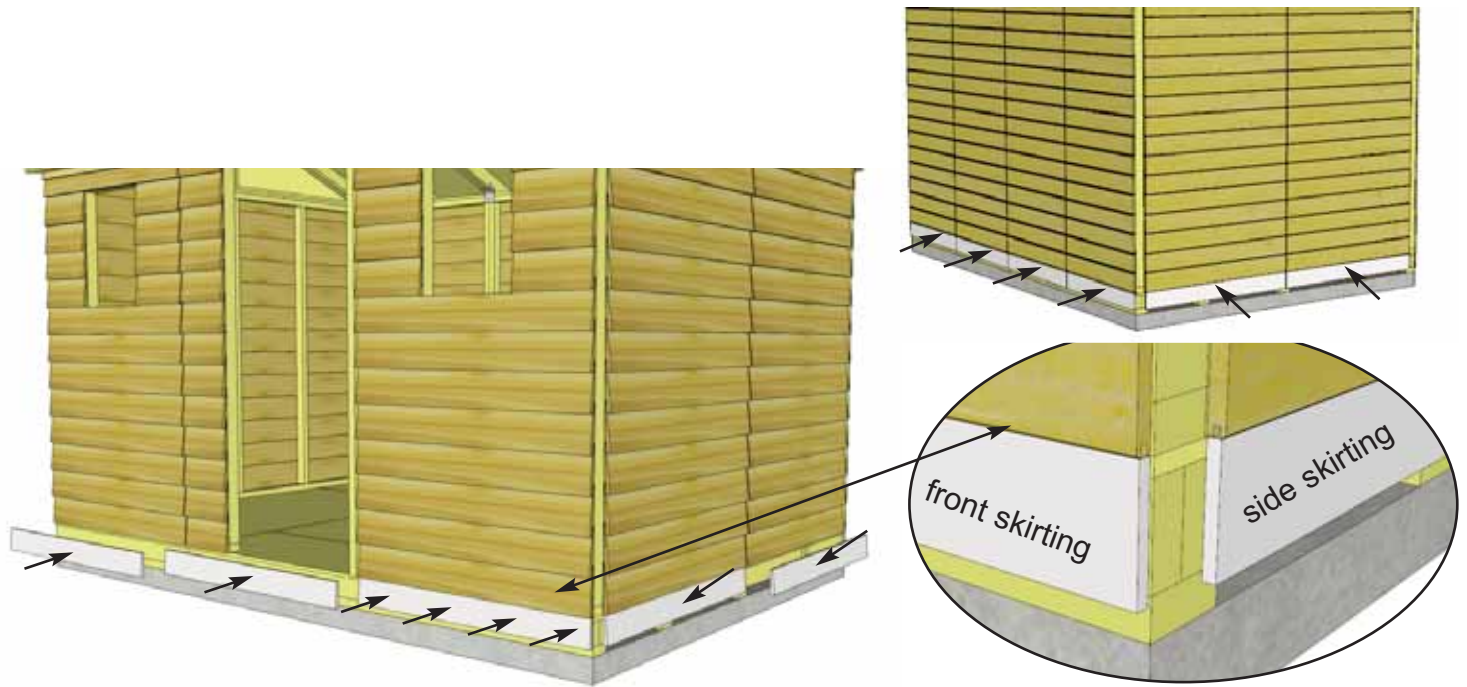
D. Miscellaneous Section

Exploded view of all parts necessary to complete the Miscellaneous Section. Identify all parts prior to starting.

Note: Not shown: 1 Interior Barrel Bolt, Interior Door Stops

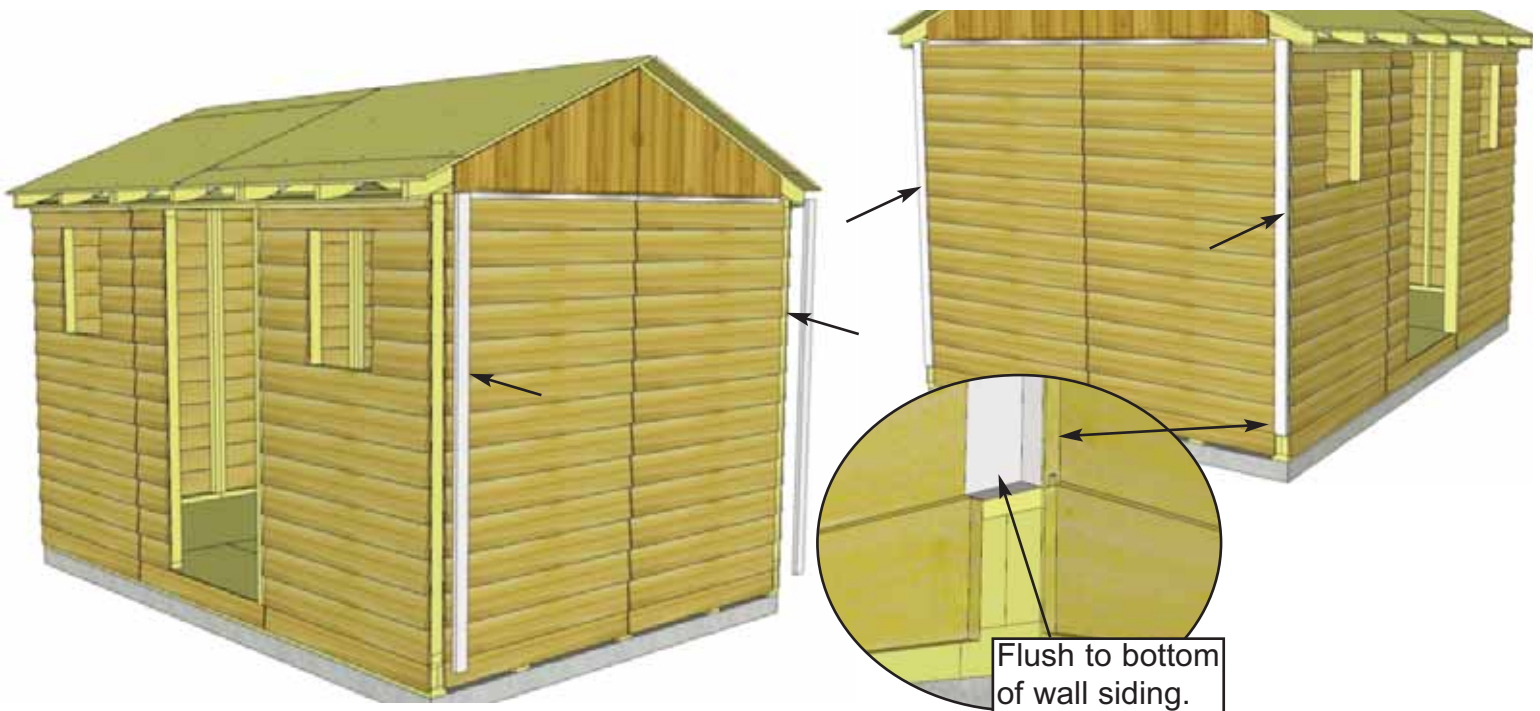


Expert Advice: When installing trim, sort pieces according to color and pieces that are most pleasing to the eye. Start with least visible side of shed and use the least desirable pieces first. Install trim to most visible side of shed as your skill installing trim improves.



48. Attach **Bottom Skirting Long** and **Bottom Skirting Short** around the base of the shed (**Bottom Skirting Short** goes along the rear wall). Skirting will hide floor framing. Gaps on side will be covered by Wide Trim pieces later. Start with Front and Rear Skirting pieces first and attach with **4 - 1 1/2" Finishing Nails** per piece.

<u>Parts</u>	
Bottom Skirting Long (1/2" x 4 1/2" x 45 1/4") x 7	
Bottom Skirting Short (1/2" x 4 1/2" x 34 1/8") x 4	
<u>Hardware</u>	
N1 - 1 1/2" Finishing Nails x 44 total	

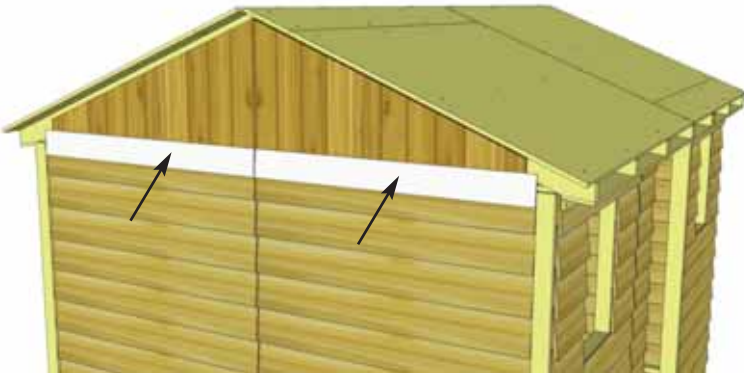


49. Attach **Filler Trim** to each corner side wall. Align Filler Trim so it sits flush with the bottom of the last piece of Wall siding. Attach with **8 - 1 1/2" Finishing Nails** per piece.

<u>Parts</u>		<u>Hardware</u>	
Filler Trim (5/8" x 2 1/2" x 75") x 4		N1 - 1 1/2" Finishing Nails x 32 total	



50. Attach **Horizontal Gable Trims** to both sides of shed (2 per side). Position over gable and wall seam. Use **4 - 1 1/2" Finishing Nails** to secure each piece.

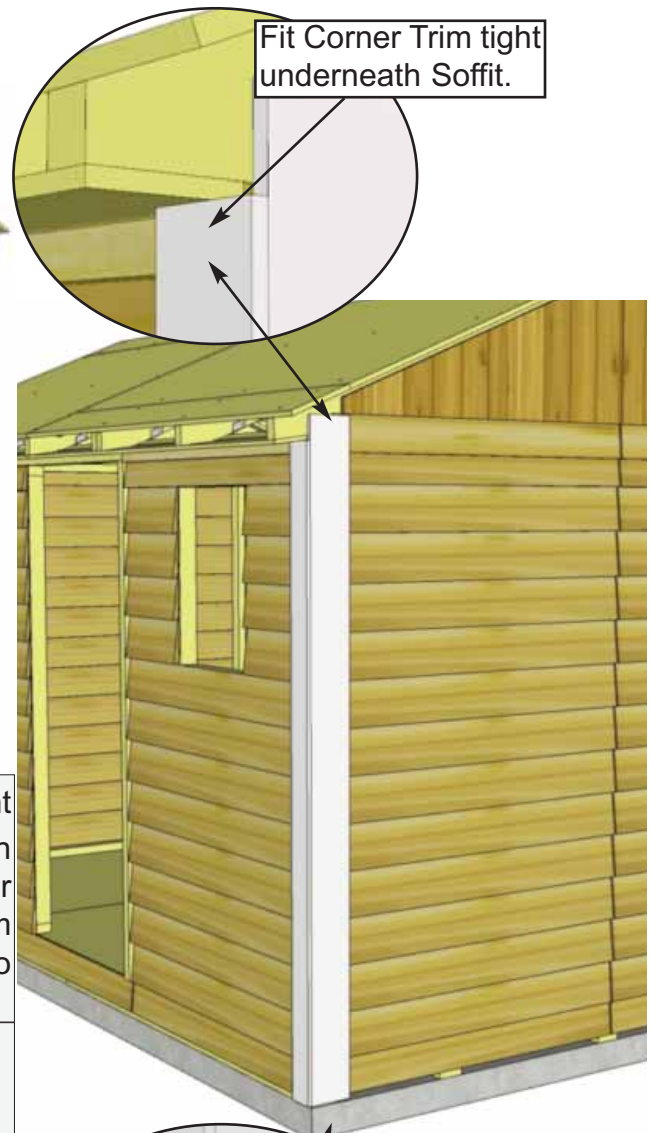
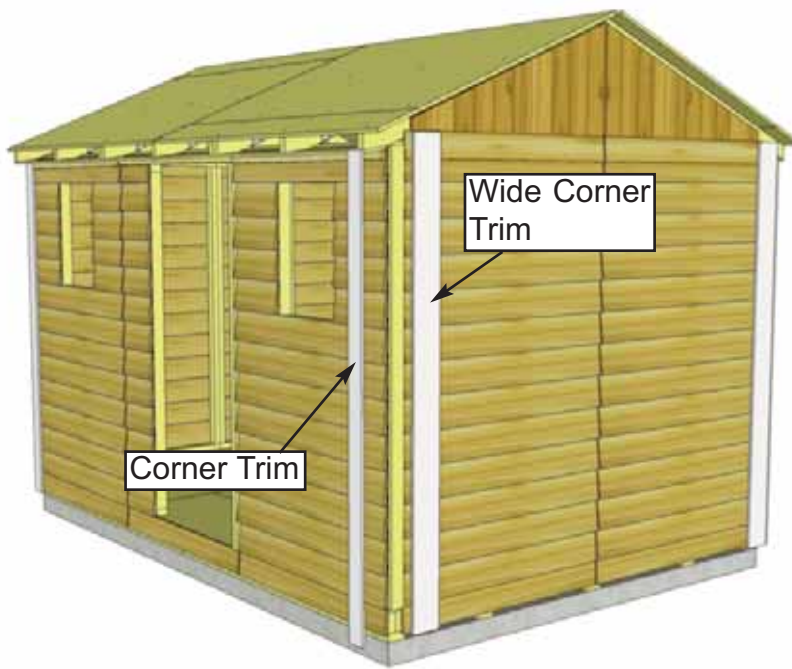


Parts

Horizontal Gable Trims
(1/2" x 4 1/2" x 45 1/4") x 4

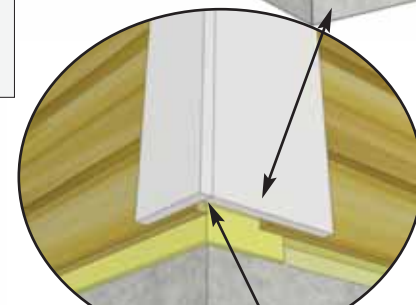
Hardware

N1 - 1 1/2" Finishing Nails x 16 total



51. To trim out corners, start with a **Corner Trim**, align tight underneath Soffit and Rafter. Align **Wide Corner Trim** with bottom of Corner Trim. Corner Trim will cap the Wide Corner Trim. Do a dry run in each corner before attaching to confirm positioning. Use **8 - 1 1/2" Finishing Nails** per piece to secure. Complete other front corner the same.

<u>Parts (Steps 51 - 52)</u> Corner Trim (1/2" x 3 1/2" x 79") x 4 Wide Corner Trim (1/2" x 5 1/2" x 82") x 4	<u>Hardware (Steps 51 - 52)</u> N1 - 1 1/2" Finishing Nails x 64 total
---	---



Align bottoms of both corner trim pieces flush.



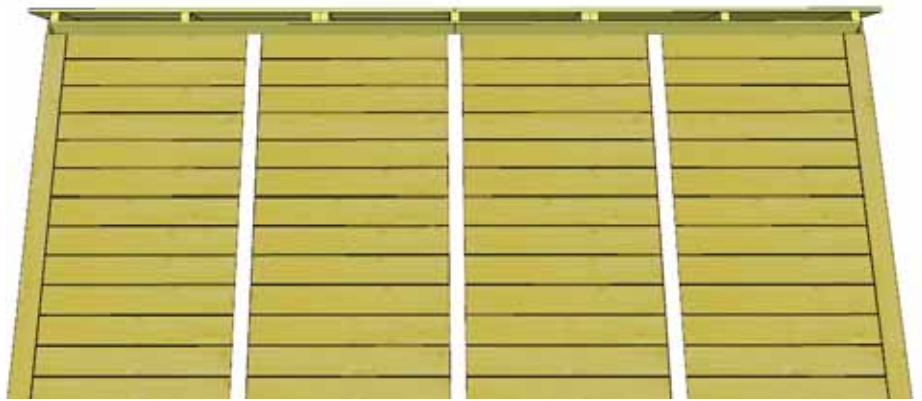
52. Trim out rear corners with remaining pieces of **Corner Trim** and **Wide Corner Trim**. Align and attach with **8 - 1 1/2" Finishing Nails** per piece as per **Step 51**.



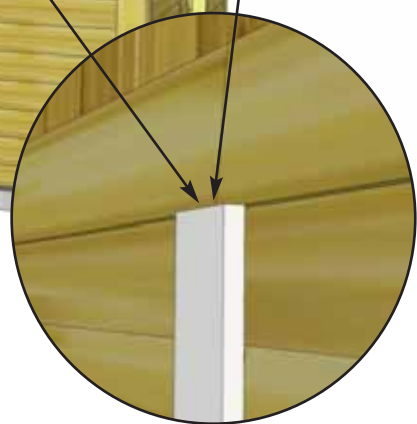
53. Attach **Rear Wall Narrow Trim** where wall panels come together and leave a seam. Position trim equally on wall seam and tight underneath Soffit and Rafter. Use **8 - 1 1/2" Finishing Nails** per piece to secure.

Parts
Rear Wall Narrow Trim
 (1/2" x 2 1/2" x 79") x 3

Hardware
N1 - 1 1/2" Finishing Nails x 24 total



Align with bottom of Horizontal Gable Trim.



54. Attach both **Side Wall Narrow Trims** where wall seams come together on sides. Position trim equally on wall seam and flush with the bottom of the Horizontal Gable Trim. Use **8 - 1 1/2" Finishing Nails** per piece to secure.

Parts
Side Wall Narrow Trim
 (1/2" x 2 1/2" x 77 1/2") x 2

Hardware
N1 - 1 1/2" Finishing Nails
 x 16 total



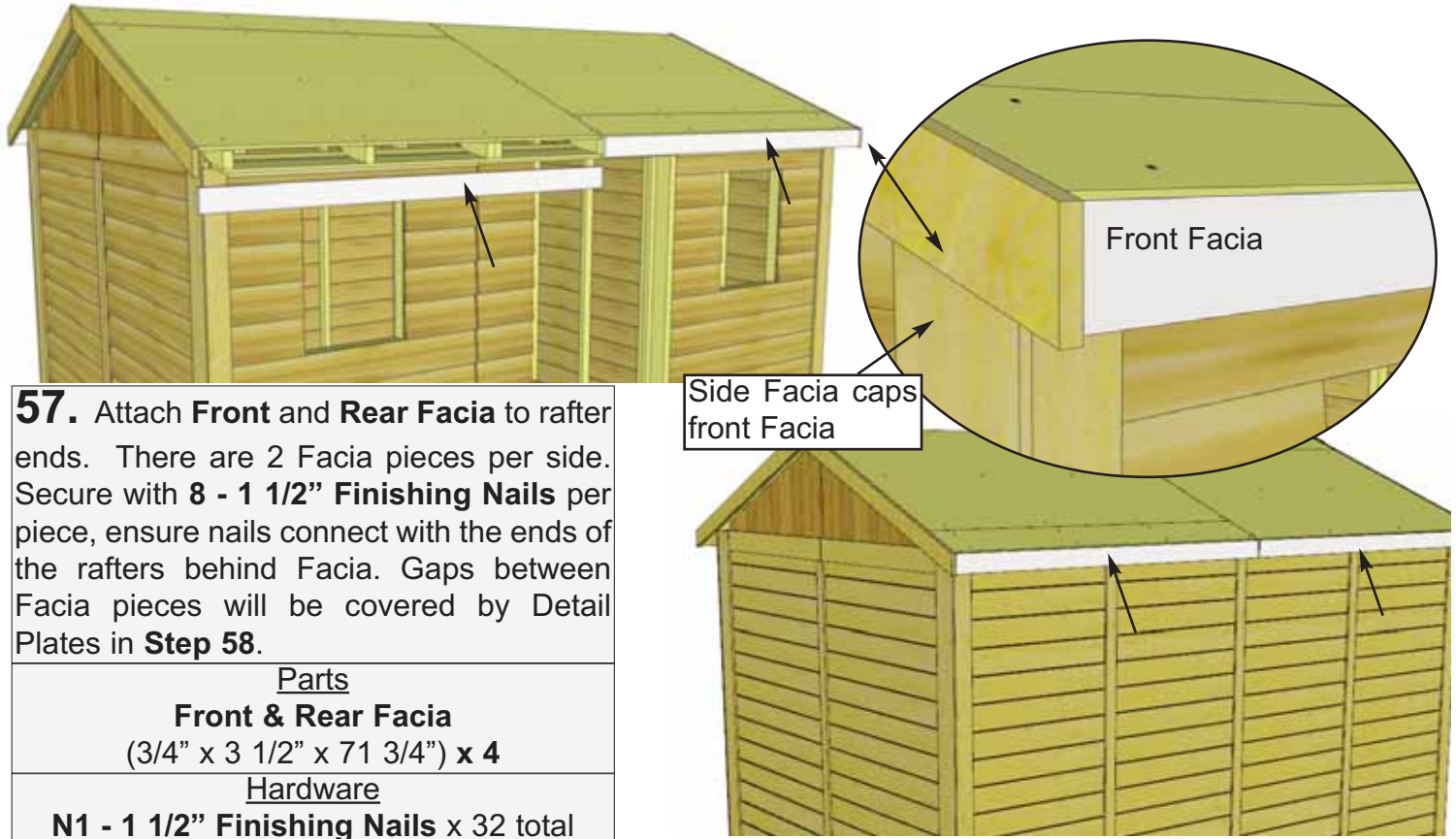
55. Attach **Facia Nailing Strips** to the underside edge of the plywood roof. Align corner of Nailing Strip with edge of roof plywood. Secure each Strip with **3 - 1 1/4" Screws**. Complete all four pieces, two on each side of the shed.

<u>Parts</u> Facia Nailing Strips (3/4" x 2 1/2" x 51") x 4
<u>Hardware</u> S2 - 1 1/4" Screws x 12 total



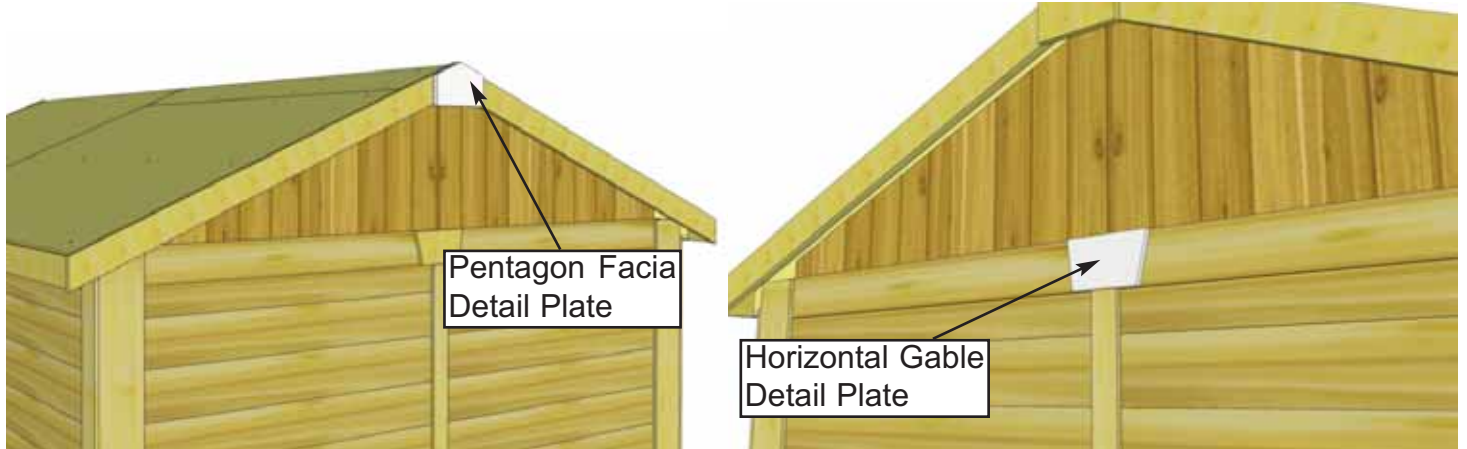
56. Attach **Side Facia** to end of roof panel plywood and Nailing Strip. Line Facia up to form a peak and attach to Nailing Strip/plywood with **6 - 1 1/2" Finishing Nails** per piece. End of Facia should be aligned flush with end of Rafter. See **Step 57** for detail. Gap where Facia boards come together at peak will be covered in **Step 58**.

<u>Parts</u> Side Facia - Angle Cut Ends (3/4" x 3 1/2" x 58") x 4
<u>Hardware</u> N1 - 1 1/2" Finishing Nails x 24 total

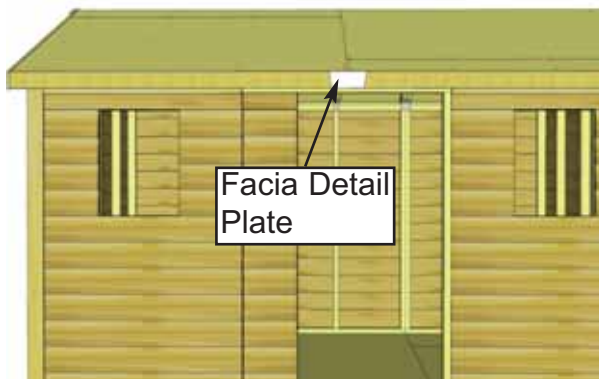


57. Attach **Front** and **Rear Facia** to rafter ends. There are 2 Facia pieces per side. Secure with **8 - 1 1/2" Finishing Nails** per piece, ensure nails connect with the ends of the rafters behind Facia. Gaps between Facia pieces will be covered by Detail Plates in **Step 58**.

<p><u>Parts</u> Front & Rear Facia (3/4" x 3 1/2" x 71 3/4") x 4</p>
<p><u>Hardware</u> N1 - 1 1/2" Finishing Nails x 32 total</p>



58. Attach **Pentagon Facia Plates** where Side Facias meet at the peak. Secure with **4 - 1 1/2" Finishing Nails** per piece. Attach **Facia Detail Plates** to cover seams where Front and Rear Facia pieces meet. Secure with **4 - 1 1/2" Finishing Nails** per piece. Attach **Horizontal Gable Detail Plates** to cover seams where Horizontal Gable Trims meet. Secure with **4 - 1 1/2" Finishing Nails** per piece.

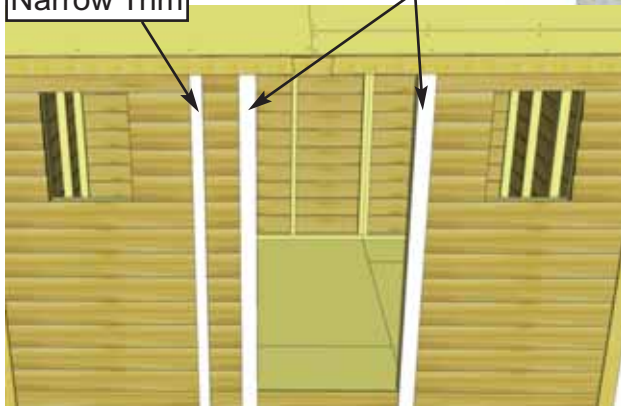


<p><u>Parts</u> Pentagon Facia Plates (1/2" x 5 1/2" x 8") x 2 Facia Detail Plates (1/2" x 3 1/2" x 8") x 2 Horizontal Gable Plates (1/2" x 4 1/2" x 8") x 2</p>	<p><u>Hardware</u> N1 - 1 1/2" Finishing Nails x 24 total</p>
---	--



Front Wall
Narrow Trim

Vertical Door Trim
flush with inside of
door opening.



59. Position **Vertical Door Trim** pieces flush with inside edge of Door opening and tight to Soffits on top. Position **Front Wall Narrow Trim** evenly on seam where Narrow Wall and Window Wall come together. Attach with **8 - 1 1/2" Finishing Nails** per piece.

Parts	Hardware
Vertical Door Trim (1/2" x 3 1/2" x 79") x 2	N1 - 1 1/2" Finishing Nails x 24 total
Front Wall Narrow Trim (1/2" x 2 1/2" x 79") x 1	



Horizontal Door Trim

60. Attach **Horizontal Door Trim** with **4 - 1 1/2" Finishing Nails** and **Horizontal Narrow Wall Trim** with **2 - 1 1/2" Finishing Nails** to cover Door Header.

Parts

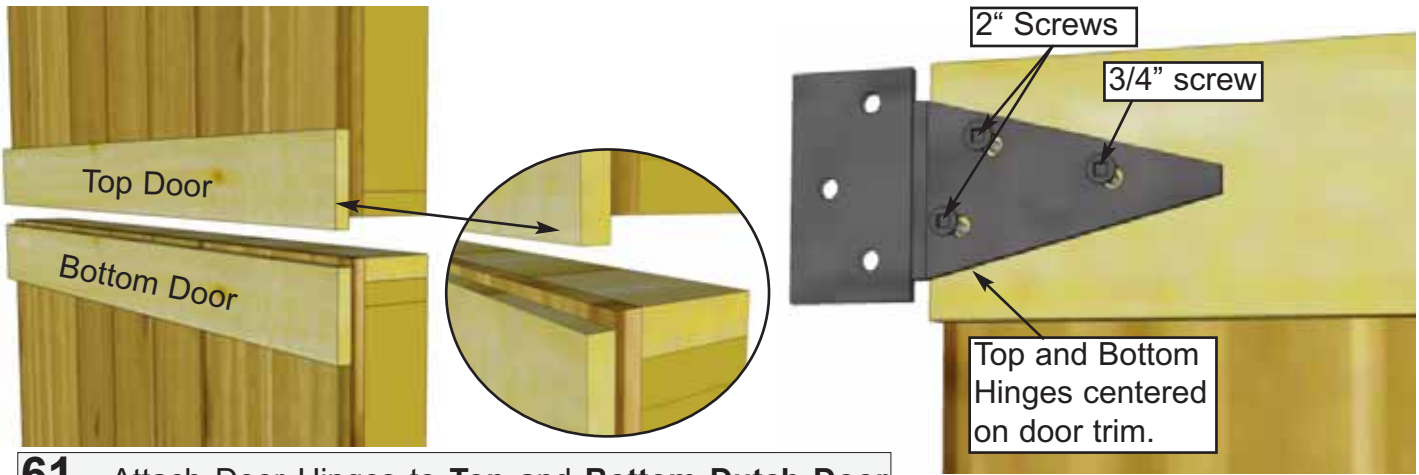
Horizontal Door Trim
(1/2" x 1 1/4" x 32") x 1

Horizontal Narrow Wall Trim
(1/2" x 1 1/4" x 7") x 1

Hardware

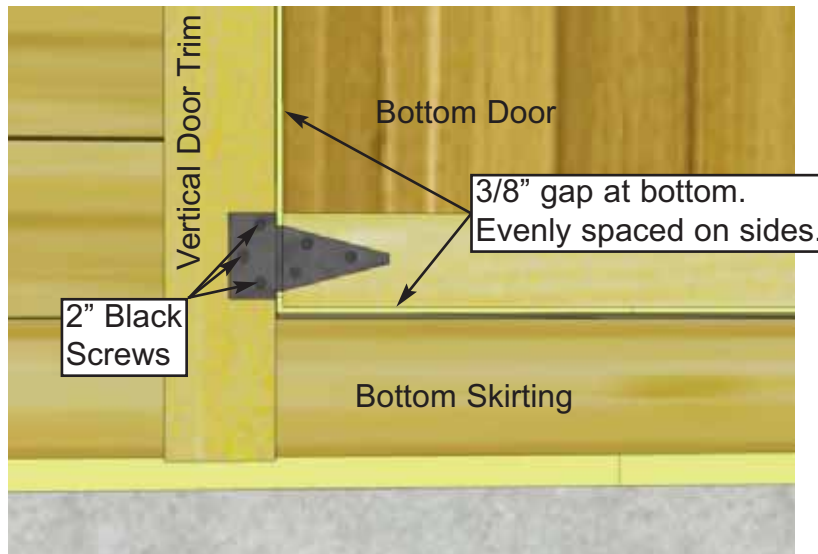
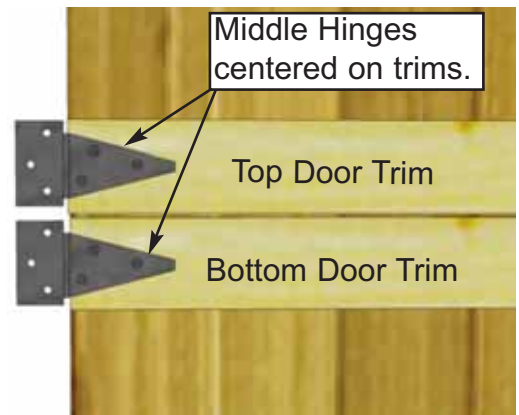
N1 - 1 1/2" Finishing Nails
x 6 total



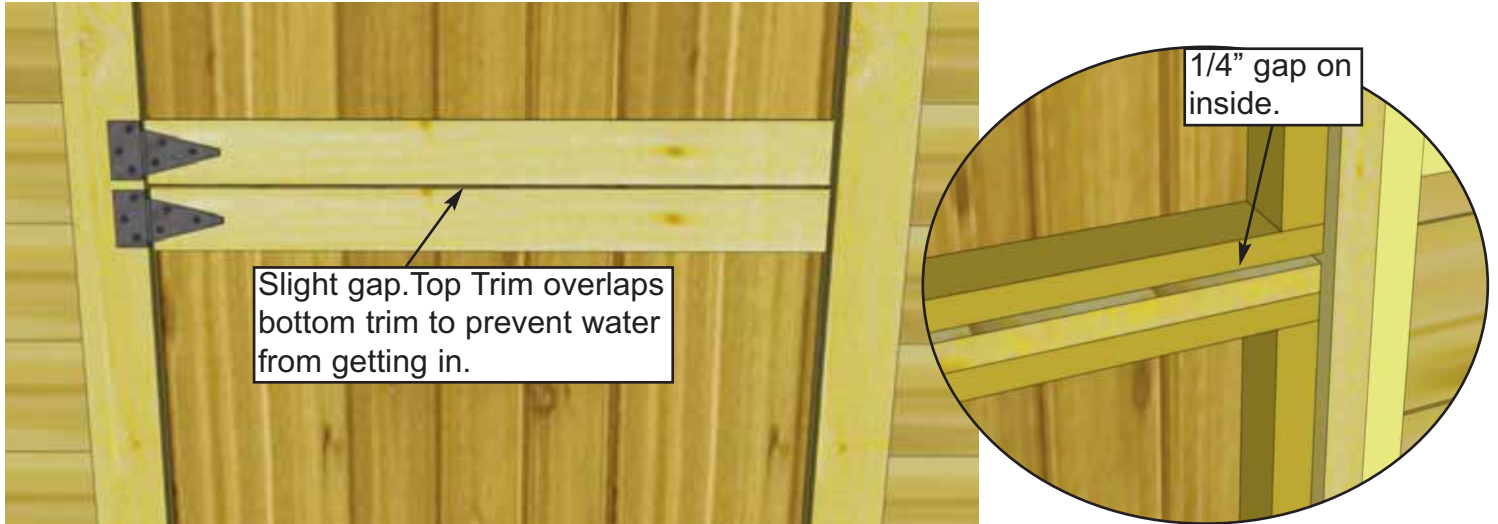


61. Attach Door Hinges to **Top** and **Bottom Dutch Door** sections. Top Door has trim overhanging door at bottom while bottom door has trim recessed slightly. Hinges should be centered on door trim with barrel nudged to end of trim. Use **2" & 3/4" Black Headed Screws** as shown above.

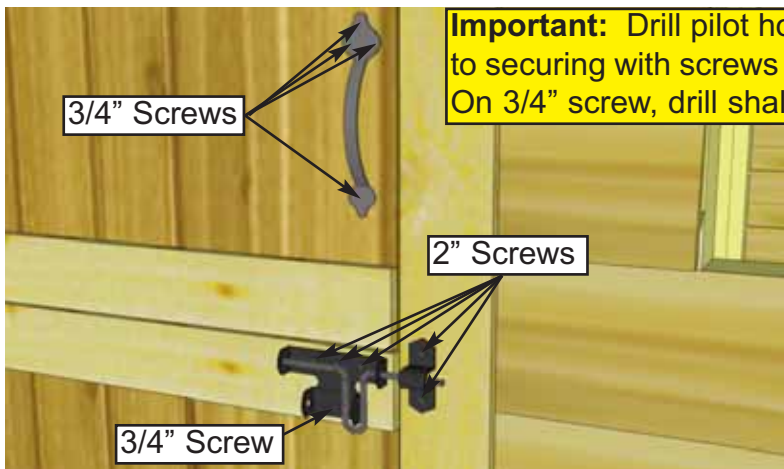
Parts (Steps 61 - 63)	Hardware (Steps 61 - 63)
Dutch Door - Top (31 1/2" x 30") x 1	Y1 - Tee Hinges x 4 total
Dutch Door - Bottom (31 1/2" x 42") x 1	SB1 - 3/4" Black Screws x 4 total
	SB2 - 2" Black Screws x 20 total



62. Place Bottom Dutch Door panel into position. Gap 3/8" on bottom, evenly space on sides, and attach hinge to doorway seam trim with **2" Black Headed Screws**. Use shim to help keep the door evenly spaced on bottom. One of the extra roof shingles (see parts list) can be used.



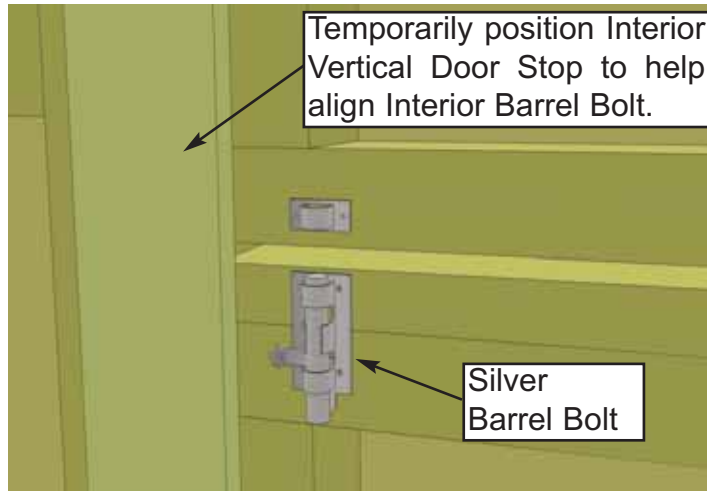
63. Place the Top Dutch Door Panel into place and gap top and bottom trims on the outside about 1/8" apart. On the inside, horizontal door frames should be about 1/4" apart. Use a shim once again to help you. Attach hinges to trim with **2" Black Headed Screws** provided.



Important: Drill pilot holes with 1/8" drill bit prior to securing with screws to prevent wood splitting. On 3/4" screw, drill shallow pilot hole only.

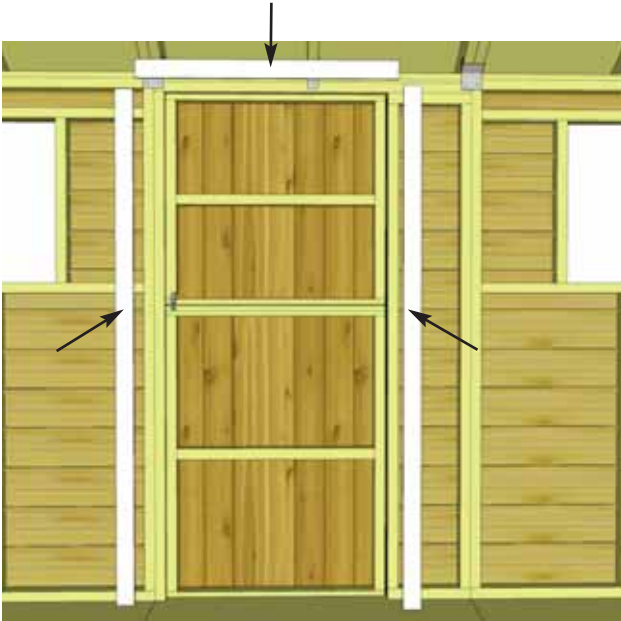
64. Attach **Door Handle** and **Exterior Black Drop Latch** to door. Handle is positioned on top door, Drop Latch on bottom door. Attach Black Drop Latch as illustrated above with **2" & 3/4" Black Screws**. Note how female part of Drop Latch is positioned higher than male. Do a dry run first to position Drop Latch correctly. Attach Handle with 2" Screws, ensure screws connect with inner door stud.

- Hardware
- Y3 - Door Handle**
x 1 total
 - Y4 - Drop Latch**
x 1 total
 - SB1 - 3/4" Black Screws**
x 5 total
 - SB2 - 2" Black Screws**
x 5 total



65. Attach Interior **Silver Barrel Bolt** to inside of door as illustrated above. Use **3/4" Silver Screws** to secure. Refer to **Step 66** to allow for adequate clearance.

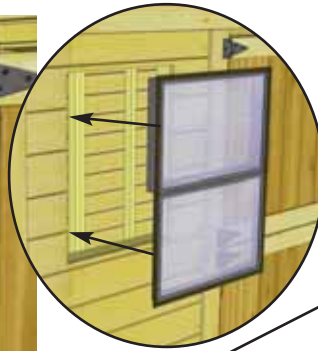
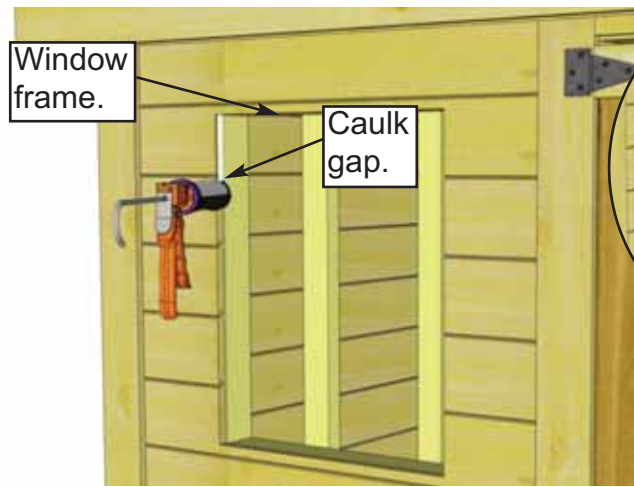
Hardware	
Y5 - Silver Barrel Bolt	x 1 total
SS2 - 3/4" Silver Screws	x 6 total



66. Attach Interior Door Stops to door framing (Jambs and Header). Start with **Vertical Door Stops**. Stops should overlap doorway by 1/2". Use **4 - 1 1/4" Screws** to secure each piece. Attach **Horizontal Door Stop** next using **3 - 1 1/4" Screws**.

Parts	
Vertical Door Stops (1/2" x 2 1/2" x 72")	x 2
Horizontal Door Stop (1/2" x 2 1/2" x 36")	x 1

Hardware	
S2 - 1 1/4" Screws	x 11 total



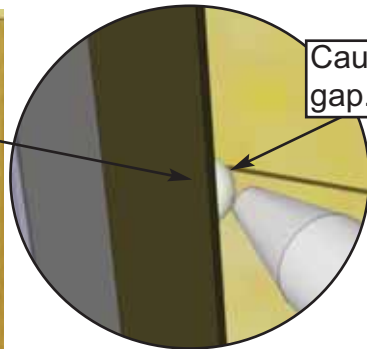
Screw insert into thick part of siding.



67. To reduce possible water from penetrating into the window cavity, caulk gap on both sides of window opening prior to installing **Window Insert**. Position insert in cavity and screw with **8 - 1 1/4" Screws**.

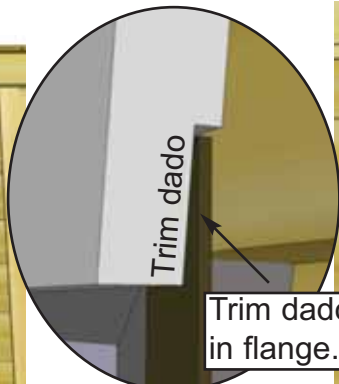
Parts (Step 67)
Window Insert x 2

Hardware (Step 67)
S2 - 1 1/4" Screws
x 16 total



Caulk gap.

68. Once Insert is attached, caulk the "channel gap" between the Insert's outside flange and the siding. Also put a bead of caulking horizontally at top of window where the flange and siding meet. This additional caulking will also reduce the chances of moisture entering into your shed.



Trim dado sits in flange.



69. Position **Window Trim** around window doing a dry run first and attach with **4 - 1 1/2" Finishing Nails** per piece. Window trim has a small dado on reverse face. Outside flange of window will roughly sit in the dado to give a better fit.

Parts
Window Trim Package x 2
(Top - 24 1/16" Long - *Angle Cut Ends*) x 1
(Sides & Bottom - 23" Long) x 3

Hardware
N1 - 1 1/2" Finishing Nails
x 32 total



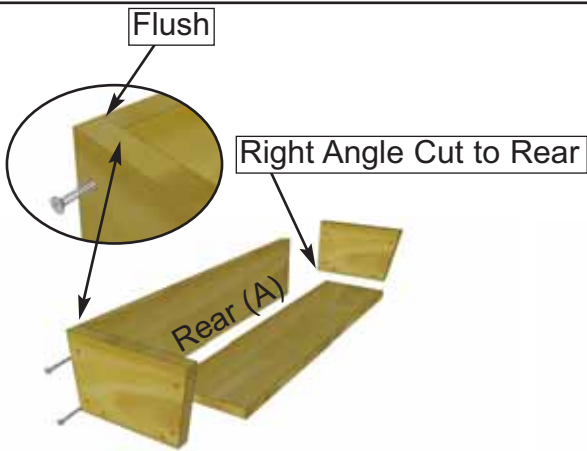
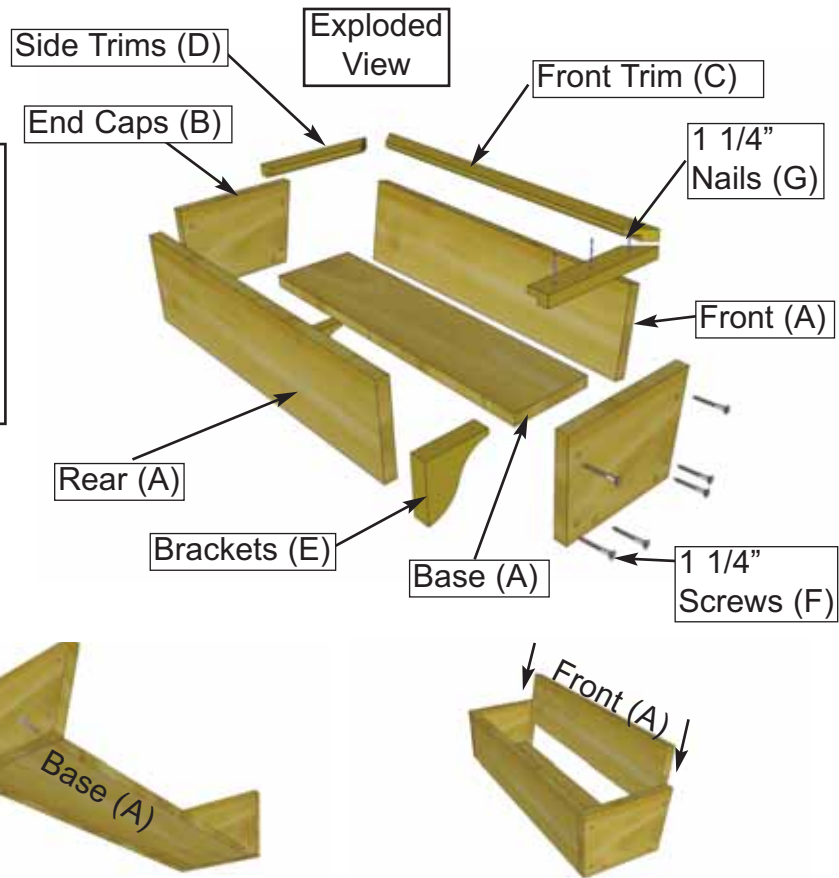
70. Assemble **Flower Box** with Assembly Instructions included on Page 41. Position completed Flower Box below bottom of window trim and secure with **2 - 2" Screws** per box. Screw from inside of box into the center Window Wall stud. Attach second screw 2" underneath first screw and once again into the wall stud. Install Flower Box Kits underneath each window.

<p><u>Parts</u> Flower Box Kits x 2 <u>Hardware</u> S3 - 2" Screws x 4 total</p>
--

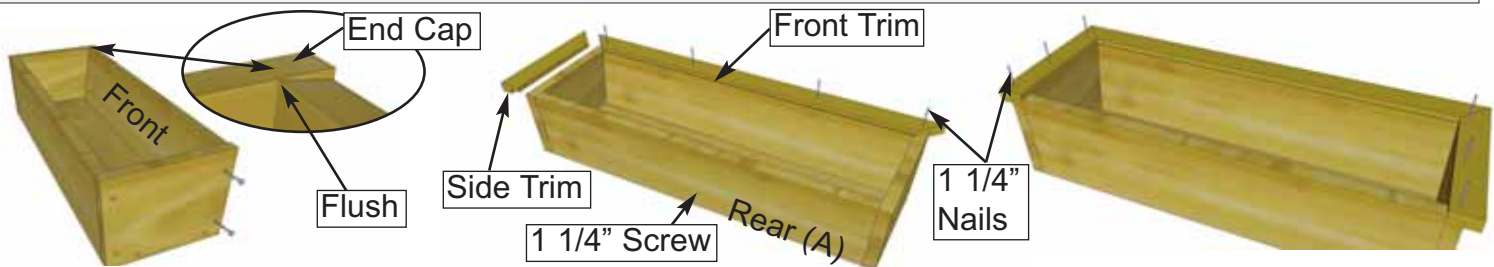
Outdoor Living Today Flower Box Assembly Instructions

Parts Lists:

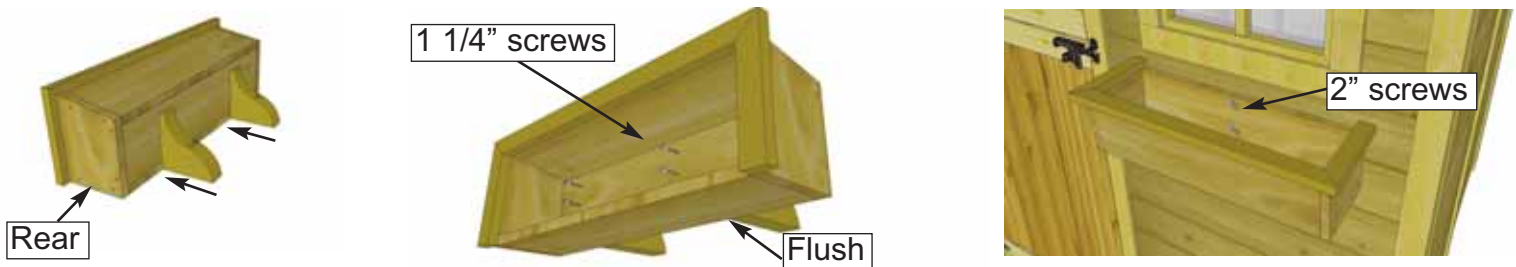
A - Base, Rear & Front Box Frames	(3pcs)	3/4" x 5 1/2" x 23"
B - End Cap Frames	(2pcs)	3/4" x 5 1/2" x 7" / 8"
C - Front Trim	(1 pc)	3/4" x 1 1/2" x 26"
D - Side Trims	(2 pc)	3/4" x 1 1/2" x 8 3/4"
E - Brackets	(2 pc)	1 1/2" x 5 1/2" x 5 1/2"
F - 1 1/4" Screws		
G - 1 1/4" Nails		



1. On a table position Rear Box and End Cap Frames together so flush at top. Fasten together with 2 - 1 1/4" screws. Place Base Frame tight against Rear and End Cap and flush at bottom. Secure with 2 - 1 1/4" screws. Complete attachment of remaining End Cap Frame. Slide Front Frame between End Caps.



2. Position Front Frame Piece flush with End Cap. Attach both ends with 2 - 1 1/4" screws. Pilot hole Rear Box Frame near bottom center and secure to Base edge with 1 - 1 1/4" screw. Evenly position Front Trim (mitre cut on end and dado cut on inside bottom) tight against front frame and nail down with 4 - 1 1/4" nails. Position Side Trims as per Front and secure with 3 - 1 1/4" nails per side.



3. On a flat surface, flip Flower Box on it's rear face. Evenly space Brackets and secure through Base Frame and into the Brackets with 2 - 1 1/4" screws per Bracket. Position completed Flower Box beneath window trim and screw from inside of box into the center wall stud with 2 - 2" screws. (2" screws supplied with Base Kit.)



Congratulations on assembling your 12x8 Cabana!

Note: Our Sheds are shipped as unfinished products. If exposed to the elements, the western red cedar lumber will weather to a silvery-gray color. If you prefer to keep the cedar lumber looking closer to the original color, we suggest that you treat the wood with a good oil base wood stain. You may also wish to paint your new shed rather than stain it. In both cases we recommend that you consult with a paint and stain dealer in your area for their recommendations.

We hope your experience assembling your 12x8 Cabana Garden Shed has been both positive and rewarding.



We value your feedback and would like to hear back from you on how well we are doing in the following areas:

1. Customer Service
2. On Time Shipping
3. Motor Freight Delivery
4. Quality of Materials
5. Assembly Manual
6. Overall Satisfaction.

Please call, write or email us at:

Outdoor Living Today

Canadian Address
9393 287th Street
Maple Ridge, British Columbia
Canada V2W 1L1

United States Address
P.O. Box 96
Sumas, Washington
USA 98295



The materials contained in this Assembly Manual may be downloaded or copied provided that ALL copies retain the copyright and any other proprietary notices contained on the materials. No material may be modified, edited or taken out of context such that its use creates a false or misleading statement or impression as to the positions, statements or actions.