



BUILT-IN SERIES

Owner's Manual

BI 32, BI12 & BI10,
BIG32, BIG38 & BIG44,
BIB10, BIB12 & BIB18.

Grills illustrated in this manual may differ from model purchased.



We Want Your Feedback!
Visit Napoleon.com to write a review
★★★★★
and register your grill.

Apply Serial Number



CONGRATULATIONS ON YOUR NAPOLEON GRILL!

You've Just Upgraded Your Grilling Game.

WE WANT YOUR GRILLING EXPERIENCE TO BE MEMORABLE AND SAFE.

Please read and follow this Owner's Manual before using your grill to avoid property damage, personal injury, or death.

Remove all packaging material, promotional labels and cards from the grill before use.

USE OUTDOORS IN A WELL-VENTILATED SPACE.

DO NOT OPERATE IN A BUILDING, GARAGE, OR ANY OTHER ENCLOSED AREA.

DANGER!

IF YOU SMELL GAS:

- Shut off gas to the appliance
- Extinguish any open flame
- Open lid
- If odor continues, keep away from the appliance and immediately call your gas supplier, or fire department.



WARNING!

Do not try to light this appliance without reading the "LIGHTING" instructions section of this manual.

Do not store or use gasoline, or other flammable liquids or vapors in the vicinity of this or any other appliance.

An L.P. (propane) cylinder not connected for use must not be stored in the vicinity of this or any other appliance.

If the information in these instructions is not followed exactly, a fire or explosion may result and cause property damage, personal injury, or death.



Alert adults and children about the hazard of hot surface temperatures. Supervise young children near the grill.

NOTICE TO INSTALLER: Leave these instructions with the grill owner for future reference.

NOTICE TO CONSUMER: Keep these instructions for future reference.

Welcome to Napoleon!

SAFETY FIRST



WARNING General Information

This grill should be installed in conformity with local codes. In absence of local codes, install to the current Natural Gas and Propane Installation Code CSA B149.1 in Canada, or the National Fuel Gas Code ANSI Z223.1/NFPA 54 in the United States.

If a rotisserie motor is used, it must be electrically grounded in accordance with local codes. If an external electrical source is utilized, the appliance must also be grounded in accordance with local codes. In absence of local codes, follow the current Canadian Electrical Code CSA C22.1 in Canada, or the National Electrical Code ANSI/NFPA 70 in the United States.



WARNING! Electrical Precautions

Keep all electrical supply cords and fuel supply hoses away from all heated surfaces.

To protect against electric shock, do not immerse the cord or plug in water or other liquids.

When connecting, first connect plug to appliance, then plug the appliance into outlet. Use only a Ground Fault Interrupter (GFI) protected circuit with this outdoor cooking appliance.

Never remove the grounding plug. Never use with an adapter of 2 prongs. Use only extension cords with a 3 prong grounding plug that has been rated for the power of the equipment and approved for outdoor use with W-A marking.



WARNING! Operation

Read this entire Owner's Manual before operating this grill.

Leak Test this grill before each use, annually and when any gas components are replaced.

Follow the lighting instructions carefully.

Do not let the cord hang over the edge of a table.

Do not use this grill for purposes other than intended.

Do not operate this grill with a damaged cord, plug, or after the grill malfunctions or has been damaged in any manner. Contact Napoleon for repair.



WARNING! Installation & Assembly

Assemble this grill exactly as instructed in the Assembly Guide. If the grill was assembled in-store, review the assembly instructions to ensure it is done correctly. This grill is not intended to be installed in or on boats or installed in or on recreational vehicles.

Perform the required Leak Test before operating the grill.

Do not modify this grill under any circumstances.

Allow grill to cool before installing or removing parts.

Do not use a cylinder that is not equipped with a QCC1 type connection.

Only use the pressure regulator and hose assembly supplied with this grill or replacement parts specifically recommended by Napoleon.



WARNING! Storage & Disuse

Turn off gas at the propane cylinder or natural gas supply valve.

Disconnect the hose between the propane cylinder and grill.

Remove the propane cylinder and store outdoors in a well-ventilated space away from children.

Unplug from the outlet when not in use and before cleaning.

DO NOT store propane cylinders in a building, garage, shed, or any other enclosed space.

Disconnect the natural gas hook-up from the supply when storing the grill indoors.



WARNING! California Proposition 65

This product can expose you to chemicals including soot, which are known to the State of California to cause cancer, and chemicals including carbon monoxide, which are known to the State of California to cause birth defects or other reproductive harm. For more information go to www.P65Warnings.ca.gov.

CONTENTS

Welcome to Napoleon!	3
Safety First	
Full System Features	4
Getting Started	5
Cut-Out Dimensions	
Gas Connections	
Leak Test	
Operation	10
Lighting your grill	
Grilling Instructions	
How to use the Rear Burner & Rotisserie	
The Grilling Experience Checklist	
How to season cast iron cooking grids	
Infrared Grilling Guide	16
Cleaning Instructions	17
Maintenance Instructions	20
Combustion in air adjustment	
Stainless in harsh environments	
Troubleshooting	22
Diagram for Electrical Connections	
Warranty	25



PHONE:
1-866-820-8686



EMAIL
grills@napoleon.com



ONLINE
www.napoleon.com

Full System Features

ACCU-PROBE™ Temperature Gauge to easily read the temperature for perfect results

Dual Rear Infrared Rotisserie Burner. Perfect for high heat searing and slow spit roasting

Seamless Stainless Steel Construction for flawless installation and long lasting quality

Dual Range Top Burner for versatile grilling options to create delicious side dishes, sauces and more

Large Stainless Steel Warming Rack for increased cooking area

Large stainless steel Iconic **WAVE™** rod cooking grids with dual position for those distinctive sear marks

Dual-level Stainless Steel Sear Plates for consistent even heating and vaporizing drippings for more flavourful food

Cooking system with dedicated Dual infrared **SIZZLE ZONE™** Burner for perfectly grilled steaks

Instant **JETFIRE™** Ignition for quick and ease start-up

Heavy Gauge Stainless Steel Burners for long lasting quality

Collapsible rotisserie forks pack neatly in the storage compartment

Integrated storage for rotisserie kits for more convenience

Rotisserie mount brackets for convenient assembly on both sides of grill

Back-lit Control Knobs for late night entertaining

Easy access to drip pan with stainless steel roller bearings for efficient maintenance



The grills illustrated in this Owner's Manual may differ from the model you purchased. Featured model: BIG 44

Getting Started



DANGER / WARNING! Advises of a hazard that could result in a fire, explosion, death or serious physical injury.



WARNING / CAUTION! Advises of a hazard that could result in minor physical injury or property damage.



Wear protective gloves.



Wear safety glasses.



CAUTION! Hot surface.



Important information.



Do not smoke while performing a gas leak test. Sparks or flames will cause a fire, explosion, damage to property, serious physical injury, or death.



Never use an open flame to check for gas leaks. Sparks or flames will cause a fire, explosion, damage to property, serious physical injury, or death.



DANGER! Immediately shut off the gas supply and disconnect.

ADDITIONAL SAFE OPERATING PRACTICES

- Do not route the hose underneath the drip pan. Maintain proper hose clearance to the bottom of the unit.
- Ensure sear plates are positioned properly according to sear plate installation instructions.
- Burner controls must be off when turning the gas cylinder valve on.
- Do not light burners with the lid closed.
- Do not operate the rear burner(s) with the main burners.
- Do not close the side burner lid when operating or hot.
- Do not deep fry food on the side burner.
- Do not adjust the cooking grids when operating or hot.
- Do not move the appliance during use.
- Turn off the gas supply at the source after use.
- Do not modify the appliance.
- Maintenance should only be done when the grill is cool.
- Do not store lighters, matches or any other combustibles inside the enclosure or condiment tray.
- Keep all electrical supply cords and fuel supply hoses away from all heated surfaces.
- Clean the grease tray, drip pan, and sear plates regularly to avoid build-up and grease fires.
- Keep the infrared burner and main burner venturi tubes free from spider webs and other obstructions by inspecting and cleaning it regularly.
- Do not allow cold water (rain, sprinkler, hose etc.) to contact the heated grill. An immediate temperature change will chip the porcelain and crack the ceramic burners.
- Do not use a pressure washer to clean any part of the grill.
- Do not locate this grill where it can be exposed to high winds, especially when the wind can come from directly behind the grill.
- Do not operate appliance under any combustible construction.
- Never cover more than 75% of the cooking surface with solid metal.
- This appliance must be kept away from flammable materials while in use.
- Always maintain a minimum wall distance to combustibles of 17" (431mm) to the rear and 9" (228.6mm) to the sides.
- BIB18PB requires a minimum of 17" (431mm) to the rear and 20" (508mm) to the sides.
- Always maintain a minimum distance of 17" (431mm) between other additional appliances.

CAUTION! The hook-up and installation of the gas and hose connection must be performed by a licensed gas fitter, and leak tested before operating the grill.

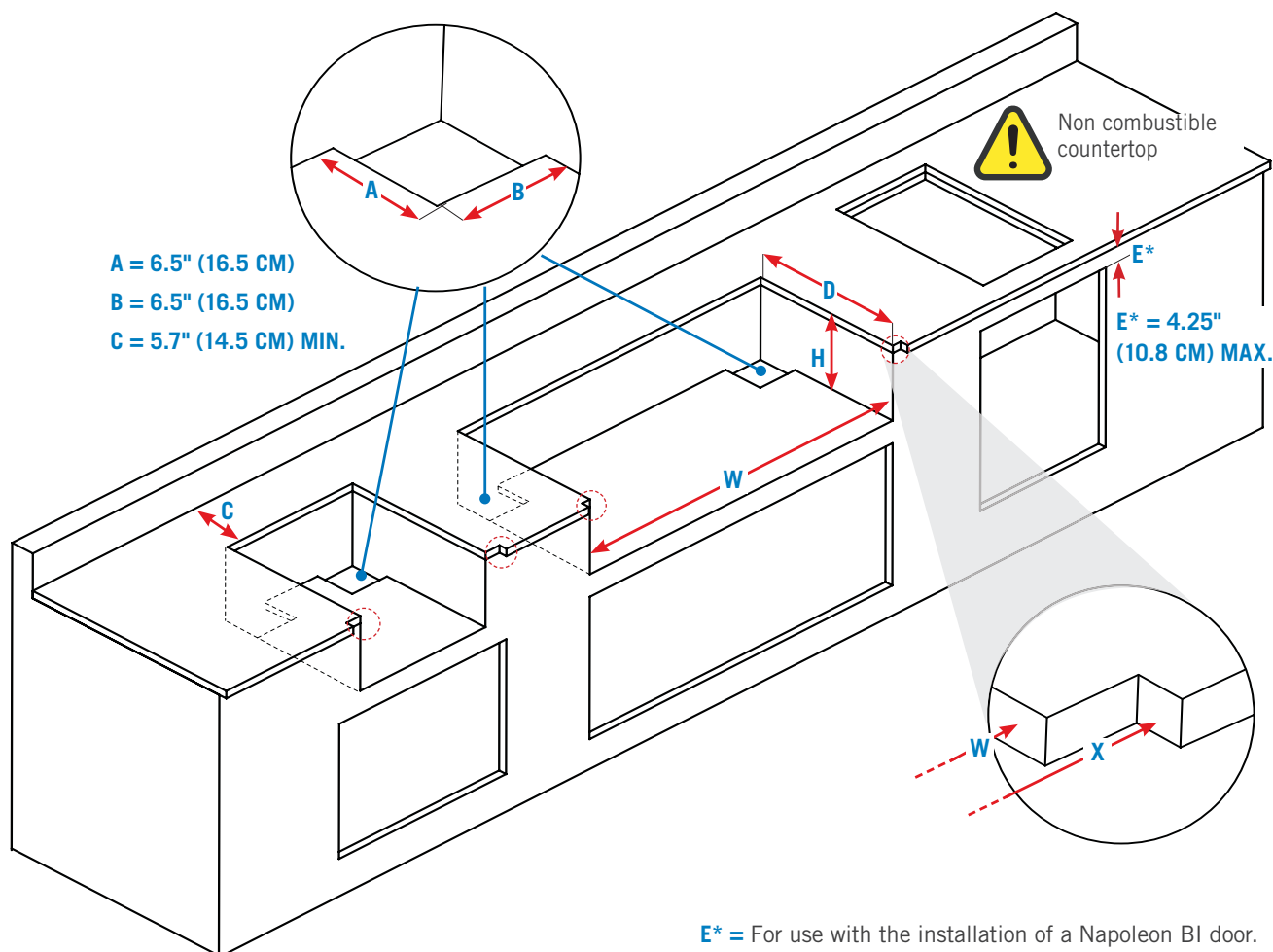
CAUTION! Ensure the hoses do not contact any high temperature surfaces of the grill.

WARNING! Accessible parts may be very hot. Keep young children away.



CUT-OUT DIMENSIONS

MODEL		OPENING DIMENSIONS (INCH / CM)				OPENING DIMENSIONS (INCH / CM) INSTALLING ZERO CLEARANCE LINER			
		W	X	D	H	W	X	D	H
BIG32 / BI32	Min.	30 / 76.2	33.50 / 85.1	19.4 / 49.3	10.25 / 26.0	34 / 86.4	35.38 / 89.9	21.38 / 54.3	10.38 / 26.4
	Max.	32 / 81.3	-	19.75 / 50.2	-	-	-	-	-
BIG38	Min.	36 / 91.4	39.50 / 100.3	19.4 / 49.3	10.25 / 26.0	40 / 101.6	41.38 / 105.1	21.38 / 54.3	10.38 / 26.4
	Max.	38 / 96.5	-	19.75 / 50.2	-	-	-	-	-
BIG44	Min.	42 / 106.7	45.50 / 115.6	19.4 / 49.3	10.25 / 26.0	46 / 116.8	47.38 / 120.3	21.38 / 54.3	10.38 / 26.4
	Max.	44 / 111.8	-	19.75 / 50.2	-	-	-	-	-
BIB18	Min.	18 / 45.7	21.50 / 54.6	19.4 / 49.3	10.25 / 26.0	22 / 55.9	23.38 / 59.4	21.38 / 54.3	10.38 / 26.4
	Max.	20 / 50.8	-	19.75 / 50.2	-	-	-	-	-
BIB12 / BI12	Min.	12 / 30.5	15.50 / 39.4	19.4 / 49.3	10.25 / 26.0	16 / 40.6	17.38 / 44.1	21.38 / 54.3	10.38 / 26.4
	Max.	14 / 35.6	-	19.75 / 50.2	-	-	-	-	-
BIB10 / BI10	Min.	10 / 25.4	-	18.75 / 47.6	6 / 15.2	-	-	-	-
	Max.	12 / 30.5	-	20.75 / 52.7	-	-	-	-	-



WARNING! The cabinet frame and the cabinet MUST be made from non-combustible material when the appliance is not installed with the Zero Clearance Liner corresponding to your unit. Refer to the parts list in your Assembly Guide for specific information.

CAUTION! If enclosure houses an LPG cylinder, this construction must comply with the built-in cylinder enclosure instructions. Refer to 'Gas Connections'.



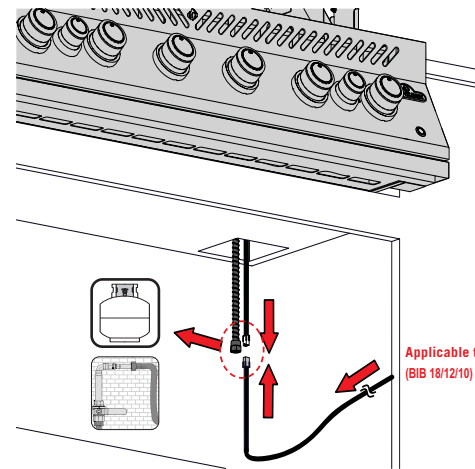
GAS CONNECTIONS

This grill must operate with a gas supply pressure of 11 inches water column (0.39 psi) for propane and 7 inches water column (0.25 psi) for natural gas. If the gas supply exceeds these requirements a regulator must be installed upstream of the grill's components. If the gas supply is lower than the requirements, the unit will be under fired and will not reach the maximum temperatures.

To a House Gas Supply Line

The piping up to the grill is the responsibility of the installer.

- The gas pipe must be sized to supply the BTU/h specified on the rating plate, based on the length of the piping run.
 - If you are installing a side burner, a separate gas line must be branched off to the unit through a specific opening in that location.
1. A readily accessible manual shut-off valve must be installed upstream of the unit. A flexible metal connector is included to simplify the installation. Connect the other end of the connector to the gas piping.
 2. Tighten using two wrenches. Do not use thread sealer or pipe dope.
 3. Ensure that the connector does not pass through a wall, floor, ceiling or partition, and is protected from damage.
 4. Leak test all joints prior to operating the grill. See "**Leak Test**".



WARNING! The connectors must be of rigid pipe, copper tube or approved flexible metal which must comply with Z21.24/CSA 6.10 or ANSI Z21.75/CSA 6.27



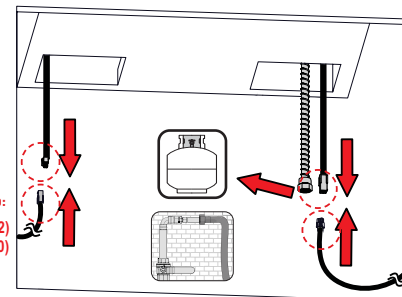
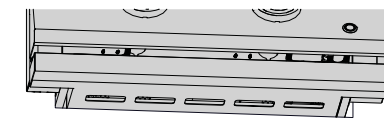
To a Portable Propane Cylinder

Only use a propane cylinder constructed and marked in accordance with the Specifications for LP gas Cylinders of the U.S. Department of Transportation (D.O.T.) or the Standard for Cylinders, Spheres and Tubes for Transportation of Dangerous Goods and Commission, CAN/CSA-B339, as applicable.

The cylinder connection device must be compatible with the connection for this outdoor appliance.

The propane cylinder must have:

- A shutoff valve with a QCC1 connection
 - A safety relief device
 - A collar to protect the valve
 - A listed Overfill Protection Device
1. Check the cylinder for dents or rust, and have it inspected by your propane supplier.
 2. Ensure the gas regulator hose has no kinks.
 3. Do not route the hose in close proximity to the drip pan.
 4. Remove the cap or plug from the cylinder fuel valve.
 5. Insert the black QCC1 regulator nipple onto the QCC1 fuel valve. Hand tighten to right. Do not use tools.
 6. Ensure the hose does not contact any high temperature surfaces of the grill because it will melt and cause a fire.
 7. Leak test all joints prior to operating the grill. See "**Leak Test**".



WARNING! Do not store a spare gas cylinder below the grill head or side burners.

WARNING! Never use a gas cylinder that is beyond 80% full.

WARNING! Follow all specifications and instructions exactly to prevent fire, explosion, property damage, personal injury, or death.

WARNING! Disconnect the grill and its individual shutoff valve from the gas supply piping system during any pressure testing in excess of ½ psi (3.5 kPa).

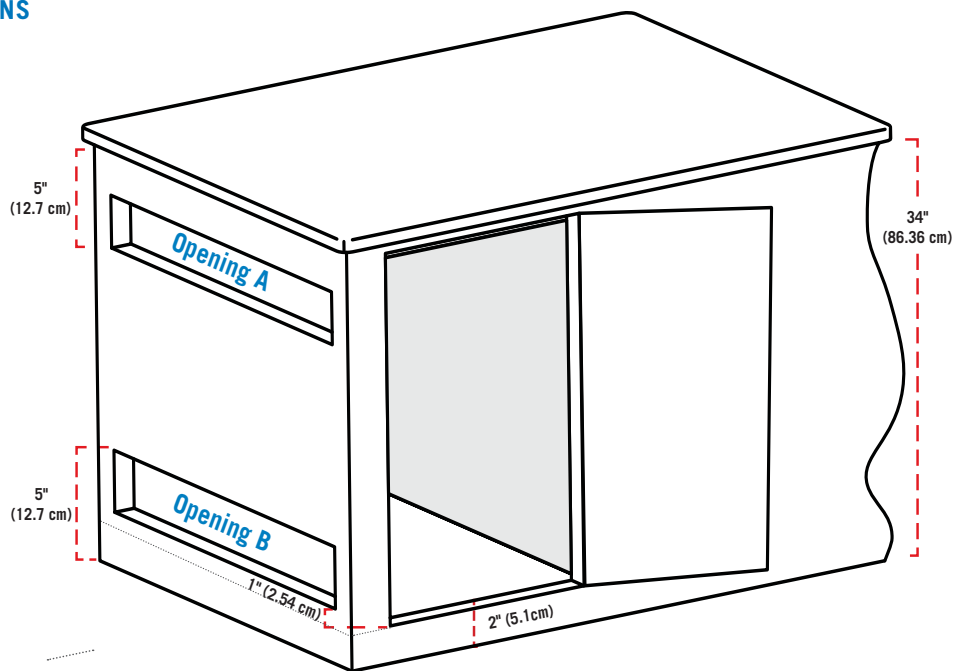
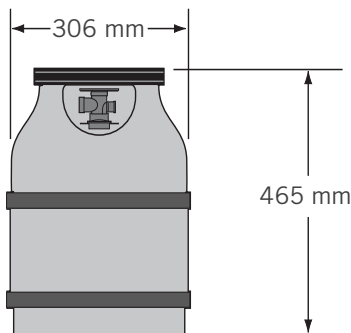


If placing the Cylinder in a Built-in Enclosure

- The design of the enclosure should allow for the gas cylinder to be connected, disconnected, and the connections inspected and tested outside of it. The connections that could possibly be disturbed when installing the cylinder in the enclosure can be leak tested inside.
- The cylinder must be isolated from the grill enclosure, and protected from radiation, flames, hot drippings, and other foreign or hazardous materials.
- A door on the enclosure to access the cylinder is acceptable if it is non-locking and can be opened without using tools.
- There must be a minimum clearance of 2 in (5.08 cm) between the floor of the cylinder enclosure and the ground.
- Ensure there are at least two unobstructed ventilation openings on the exposed exterior side of enclosure, one within 5 inches (12.7 cm) of the top of the enclosure, and another within 1 inch (2.54 cm) of the cylinder opening's bottom surface.
- The top opening must have a total free area of more than 20 in² (130 cm²) for a 20 lb (9.1 kg) cylinder and 30 in² (195 cm²) for a 30 lb (13.6 kg) cylinder
- The bottom opening must have a total free area of more than 10 in² (65 cm²) for a 20 lb (9.1 kg) cylinder and 15 in² (100 cm²) for a 30 lb (13.6 kg) cylinder.
The upper edge must be no more than 5 in (127 mm) above the floor level.
- Every opening must be large enough to permit the entrance of a 1/8 in (3.2 mm) rod.
- The opening must have a free area depending on the cylinder size:

Cylinder size	Opening A area	Opening B area
20 lb (9.1 kg)	20 inches ² (130 cm ²)	10 inches (65 cm ²)
30 lb (13.6 kg)	30 inches ² (195 cm ²)	15 inches ² (100 cm ²)

MAXIMUM CYLINDER DIMENSIONS



WARNING! Close the individual shutoff valve to isolate the grill from the gas supply piping system during any pressure testing equal to or less than ½ Psi (3.5 kPa).

WARNING! Check the hose for evidence of excessive abrasion, melting, cuts or cracks. If the hose is damaged, it must be replaced with an assembly specifically recommended by Napoleon.



LEAK TEST

Why and When to Leak Test?

A leak test confirms no gas is escaping after you connect the hose to the gas supply.

Each time the tank is refilled and reinstalled, ensure that there are no leaks in the fitting where the regulator connects to the tank.

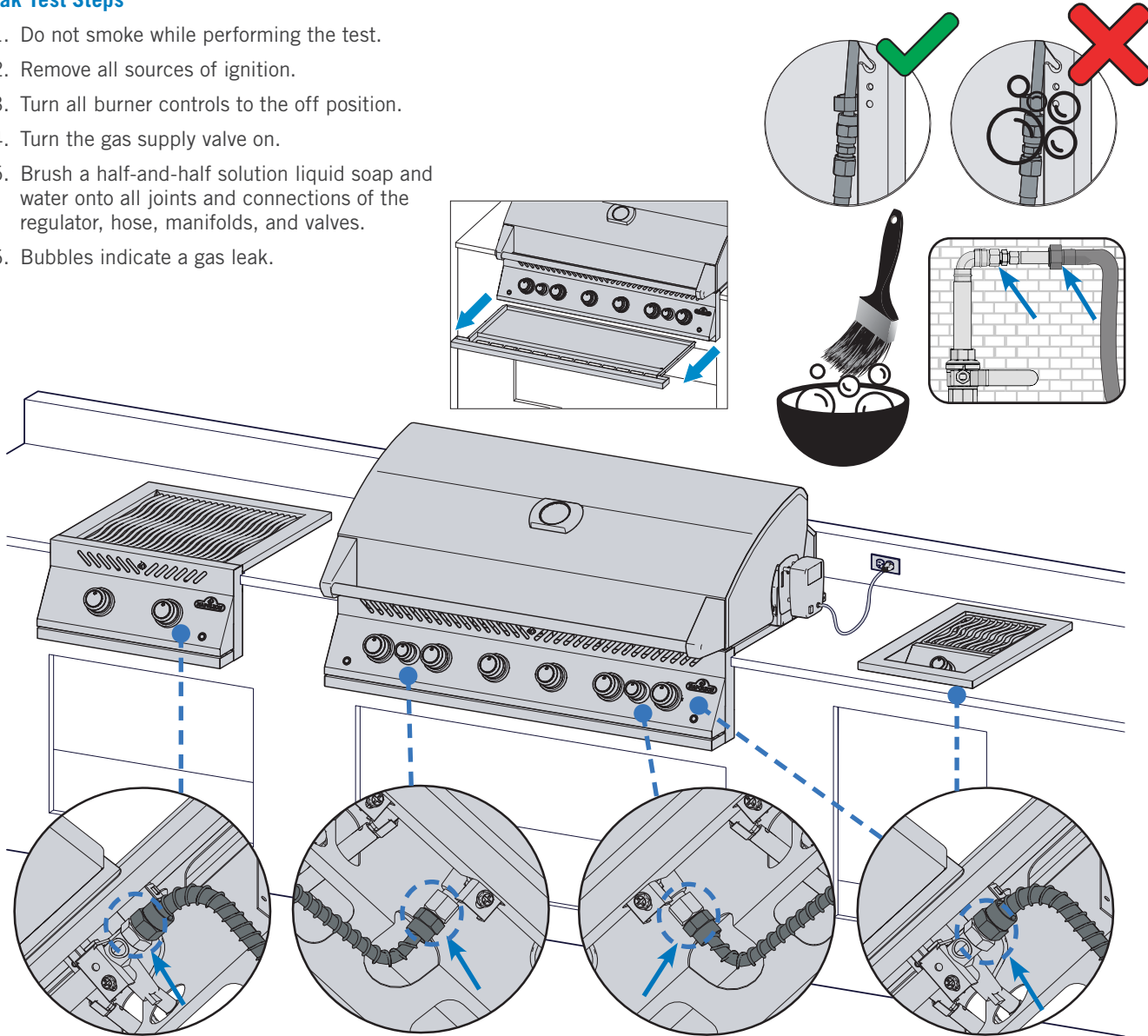
Leak test this grill before use, annually, and when any gas components are replaced.

Leak Test Steps

1. Do not smoke while performing the test.
2. Remove all sources of ignition.
3. Turn all burner controls to the off position.
4. Turn the gas supply valve on.
5. Brush a half-and-half solution liquid soap and water onto all joints and connections of the regulator, hose, manifolds, and valves.
6. Bubbles indicate a gas leak.

If you find a leak

1. Tighten any loose joints.
2. If the leak cannot be stopped, immediately shut off the gas supply and disconnect the grill.
3. Have the grill inspected by a certified installer, or dealer.
4. Do not use the grill until the leak has been fixed.



WARNING! Never use an open flame to check for gas leaks. Sparks or flames will cause a fire, explosion, damage to property, serious physical injury, or death.

WARNING! Only use the pressure regulator and hose assembly supplied with the grill, or one in conformity with local codes.



Operation

LIGHTING YOUR GRILL

Is it the very first time? Perform a Burn-off

Remove warming rack and run the main burners on high for 30 minutes. It is normal for the grill to emit an odor the first time it is lit. This odor is caused by the “burn-off” of internal paints and lubricants used in the manufacturing process and will not occur again.

Main Burner Lighting

1. Open grill lid.
2. Push and slowly turn any main burner knob counter clockwise to HIGH position until pilot lights. Continue to push down on the control knob until the burner lights and then release.
3. If the pilot does not light – immediately turn the control knob clockwise to the OFF position. Repeat step 2.
4. If the pilot and burner will not light in 5 seconds – turn the control knob clockwise to the OFF position. Wait 5 minutes for gas to dissipate. Repeat steps 2 and 3, or light with a match. (Fig. 1).

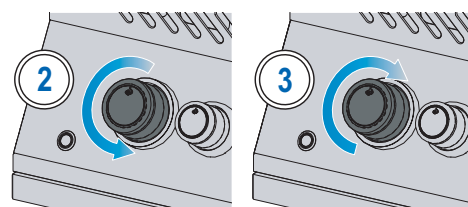
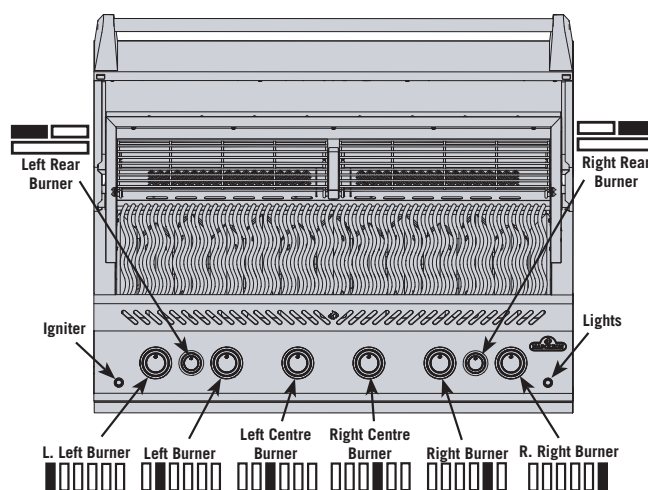


Fig. 1

WARNING! Do not use the rear burner while operating the main burner.



Rear Burner Lighting (if equipped)

1. Open grill lid.
2. Remove warming rack.
3. Push and slowly turn rear burner knob counter clockwise to HIGH position.
4. Press and hold igniter button until the burner lights, or light by match.
5. If the burner will not light – turn burner control knob clockwise to the OFF position. Wait 5 minutes. Repeat step 3 and 4. (Fig. 1)

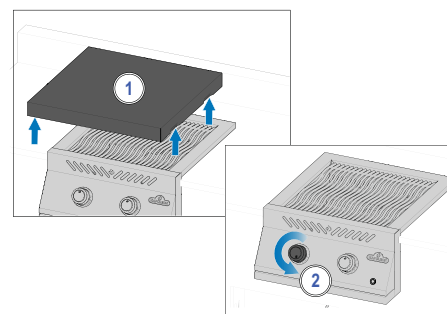


Fig. 2

Side Burner Lighting (if equipped)

1. Open burner cover.
2. Push and slowly turn side burner knob counter clockwise to HIGH position.
3. Press and hold igniter button until the burner lights, or light by match.
4. If the burner will not ignite – turn burner control knob clockwise to the OFF position. Wait 5 minutes. Repeat step 2 and 3. (Fig. 2)

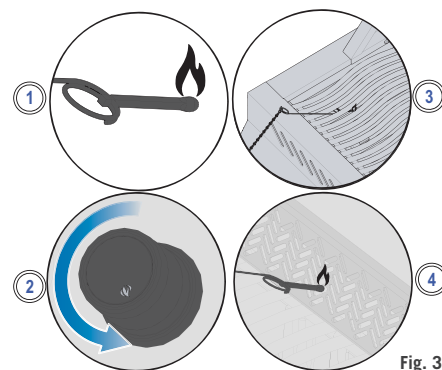
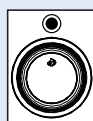


Fig. 3

Lighting with a match

1. Clip the match into the supplied lighting rod.
2. Insert the lit match through the cooking grids and sear plates
3. While turning the corresponding burner knob to high. (Fig. 3)



WARNING! Ensure all burner controls are in the OFF position before slowly turning on gas supply valve.

WARNING! Follow the lighting instructions carefully.

WARNING! Make sure the lid of the grill is OPEN while igniting.

WARNING! Do not adjust the cooking grids while the grill is hot, or operating.



GRILLING INSTRUCTIONS

Main Burner Use

- Preheat the grill before searing food by operating all main burners on high with the lid closed for approximately 10 minutes.
- Food cooked for only a short time such as fish and vegetables can be grilled with the lid open.
- Grilling with the lid closed ensures higher and consistent temperatures that cook meat more evenly and can reduce cooking times.
- The cooking grids can be oiled before preheating to reduce sticking when grilling lean meat such as chicken breast, or pork.
- Food that takes longer than 30 minutes such as roasts can be cooked indirectly with the burner lit opposite the food. See Indirect Grilling.
- Trim excess fat off meat to prevent flare-ups, or reduce the temperature of the grill.
- Flare ups – move food away from the flames and reduce the heat. Leave the lid open.

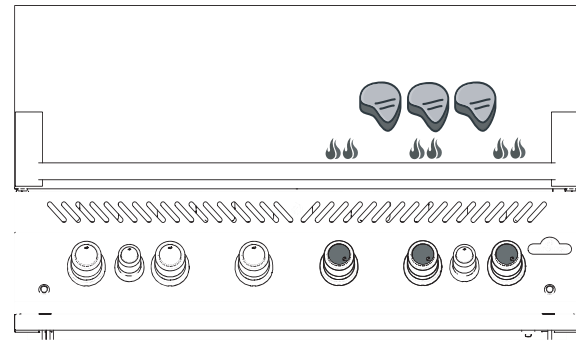
Direct Grilling

This method is often used for searing, or food cooked for only a short time such as hamburgers, steaks, chicken, or vegetables.

Place food on the cooking grids directly over the heat.

Sear meat first to trap-in the juices and flavor.

Lower the grill temperature to finish cooking to your preference.

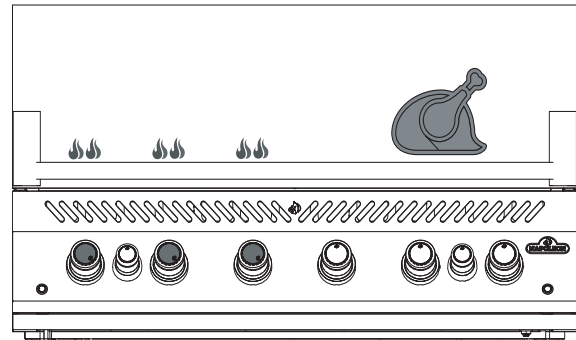


Indirect Grilling

This method uses lower temperatures and circulates heat around the food cooking it slowly and evenly. Use this method to cook larger cuts of meat, or food prone to flare-ups such as roast, chicken, or turkey.

Turn one or more burners on and place food on the cooking grid where there is no flame, or burner on.

Grilling at a lower temperature and slower cooking time results in more tender meats.



Infrared Main Burner Use (if equipped)

Follow the “Main Burner Lighting” Instructions and operate on high for 5 minutes with the lid closed or until the ceramic burners glow red.

Cook the food directly on the grid(s) following the directions on the “Infrared Grilling Guide”. Food can be seared on the infrared burner and then transferred to the main burners of the grill to finish cooking over direct or indirect heat, depending on your taste and preference.

BE CAREFUL!



The lid of the grill and the entire firebox can become very hot when in use.

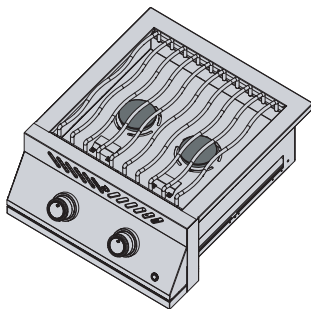
WARNING! Never grill food directly on the flame side burner. It is designed for use with pots and pans only.

WARNING! Do not close side burner lid while it is operating or hot.

WARNING! Do not deep fry food on the side burner. Cooking with oil can be dangerous.

WARNING! Regularly clean grease out of the entire unit, including the grease tray and the sear plates, to avoid build-up and grease fires.



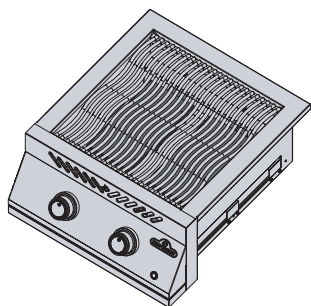


Flame Side Burner (if equipped)

The flame side burner can be used like a stove top to make gravy or soups.

The recommended pot or pan diameter is 10" (25 cm).

Be sure your grill is in a location protected from the wind, or the performance of the side burner will be affected.

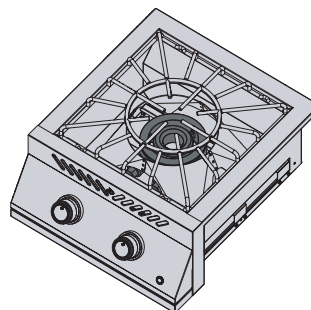


Infrared Side Burner (if equipped)

To operate, follow the "Side Burner Lighting" instructions. The infrared heat provides an even cooking area for searing food when it's set to high.

Be careful to never cover more than 75% of the cooking surface

Some side burner models have a height-adjustable cooking grid.



Power Burner (If equipped)

The power burner has 2 concentric burners. Use pots with a minimum of 10" (25 cm) diameter when using the center burner, and a minimum of 14" (35.5 cm) diameter when using the outer burner.

For wok cooking, remove the center ring from the cooking grate. Respect the minimum pot sizes for inner and outer burners.

Note: Never leave a burner on without a filled pot or pan above it

Grilling at Night (if applicable)

Illuminate the control knobs by pushing the light bulb icon on the control panel.

When a burner is operating, the corresponding knob will glow red, while the rest will remain blue.

GRILLING PRO TIP!

Use a thermometer to check the internal temperature of meat to ensure it is cooked perfectly.

GRILLING PRO TIP!

Add a Napoleon smoker accessory to your grill to flavor your meat.

WARNING! Do not leave food unattended on any lit burners.

WARNING! Keep the lid open if main infrared burner is set on high to prevent accidentally burning food.



HOW TO USE THE REAR BURNER & ROTISSERIE

Assembling Your Rotisserie Kit (if equipped)

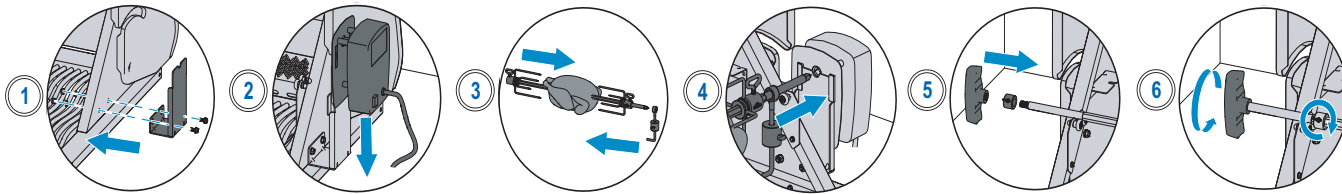
Note: Remove the warming rack prior to using the rear burner and spit rod. Extreme heat will damage the warming rack.

1. Install the rotisserie motor on the side of the grill using the mounting bracket(s). Some models have pre-mounted brackets.
2. Once the bracket has been fastened to the grill, slide the rotisserie motor onto the bracket.
3. Slide the first rotisserie fork just past the middle of the spit rod and tighten into place. Thread the meat onto the spit rod and push the meat into the fork. Slide the second rotisserie fork on the opposite end of the spit rod and push the fork into the meat until secure. Tighten the fork into place.

4. Carefully insert the pointed end of the spit rod into the rotisserie motor and set the opposite end across the hangers. The heavy side of the meat will naturally hang down to balance the load.
5. Slide the stop bushing onto the spit rod until it is past the inside of the hood. This will secure the side to side movement of the spit rod.
6. Tighten the stop bushing and spit rod handle. Place a metal dish under the meat to collect the drippings.

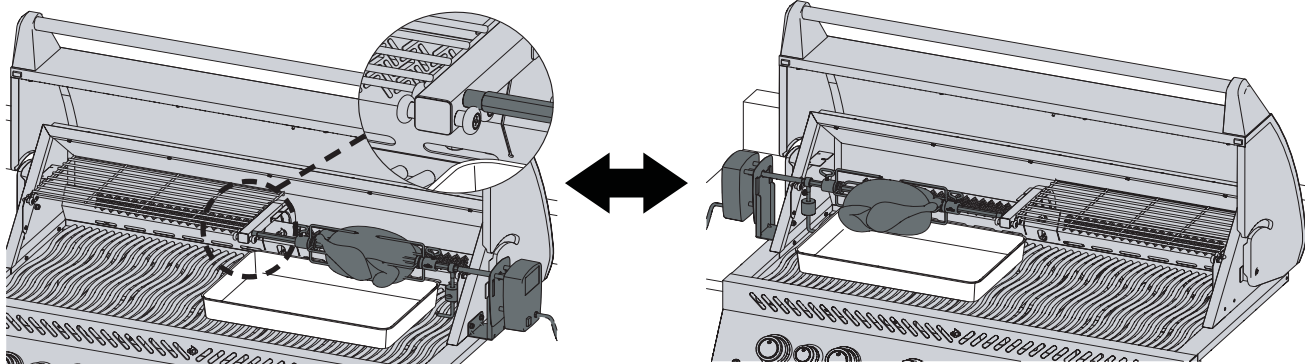


IMPORTANT! Always wear gloves when handling components of the grill.



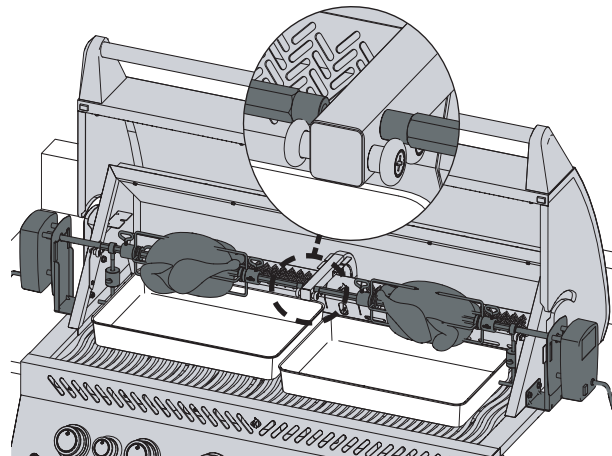
BIG 44 Spit Rod: Option 1

- The rotisserie motor can be mounted on either side of the grill using the mounting bracket.
- Be sure to remove the warming rack depending on which side you wish to cook on.
- Follow instructions 3-4 from 'Using the Rear Burner and Rotisserie Kit'.
- Place a metal dish under the meat to collect the drippings.



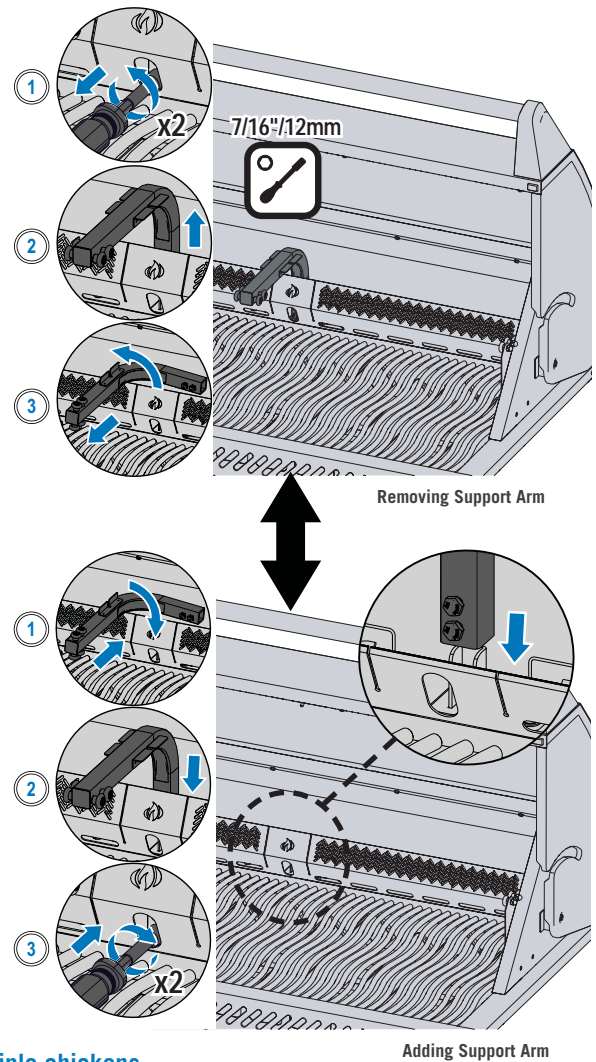
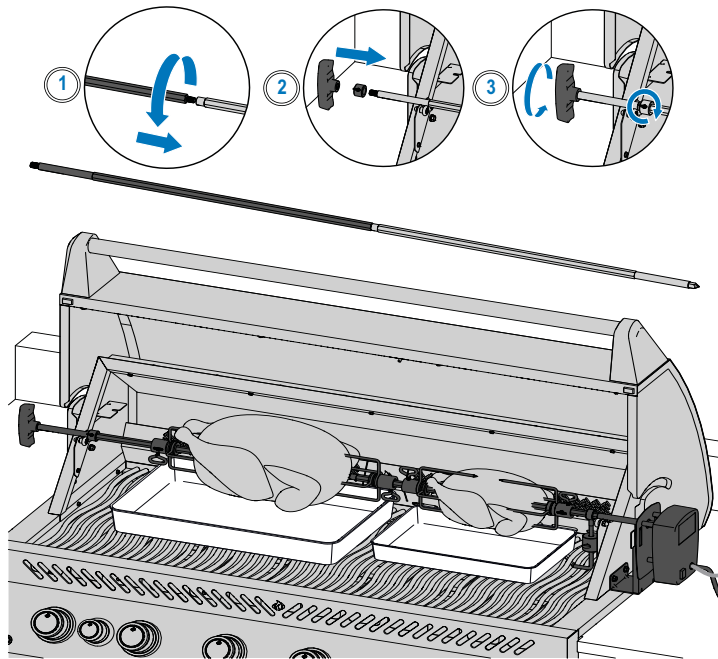
BIG 44 Spit Rod: Option 2

- With the purchase of the rotisserie add-on accessory, you are able to have two rotisseries operating at the same time for more cooking convenience.
- Be sure to remove both warming racks and install the additional rotisserie motor to the opposite side.
- Follow instructions 3-4 from 'Using the Rear Burner and Rotisserie Kit' to load both spit rods.
- Place a metal dish under the meat to collect the drippings.



Spit Rod: Option 3

- After removing both warming racks and installing the rotisserie motor, you need to remove the Rotisserie Support Arm.
- Carefully remove the two fasteners securing the Rotisserie Support Arm to the grill.
- Once the Rotisserie Support Arm has been removed, install the rod extension by inserting the threaded end and turning clockwise into the corresponding end of the spit rod.
- Follow steps 3-6 from "Using the Rear Burner and Rotisserie Kit".



Tips about using the Rotisserie:

- Operate the rear burner on high until the meat browns. Reduce heat. Keep lid closed.
- Use a thermometer to check the internal temperature of the meat.
- Roasts and poultry should brown on the outside and stay tender on the inside.
- Use drippings to baste and make gravy.
- A 3-pound chicken takes approximately 1 ½ hours on medium to high.
- Be mindful of your rotisserie motor capacity. Never overload your equipment.
- Be sure to always set an evenly balanced load on your rotisserie.

How to cook multiple chickens

1. Tie or skewer wings to the body of the chickens.
2. Slide rotisserie fork onto spit rod.
3. Thread first chicken onto spit rod until it is held into place by the rotisserie fork. Tighten.
4. Thread next 2 chickens onto spit rod so all the chickens are close together.
5. Slide second rotisserie fork onto spit rod and push into chicken until all 3 chickens are squeezed together tightly. Tighten.

DID YOU KNOW?

You can remove the cooking grids if they interfere with cooking larger cuts of meat.

WARNING! Disassemble rotisserie components when finished cooking, wash with warm soapy water, and store indoors.

WARNING! Use heat resistant grilling gloves when handling the hot rotisserie components.

WARNING! Disconnect rotisserie plug from the outlet when the grill is not in use.



THE GRILLING EXPERIENCE CHECKLIST

Refer to this list every time you grill

Read Owner's Manual

Be sure to have read the owner's manual and all the safety instructions.

Clean grease tray

Always ensure you clean the grease tray prior to grilling to avoid fires and flare-ups.

Check the hose

Ensure the grill is off and cool. Check the hose for evidence of excessive abrasions, or cuts. Have the hose replaced before use if the hose is damaged.

Preheat and clean grids

Coat the grids with vegetable shortening and preheat your grill to burn off excess residue and prevent sticking. Clean cast iron grids with a brass wire brush and stainless steel grids with a stainless brush. See "**Cleaning Instructions**".

NOTE: Stainless steel cooking grids are corrosion resistant and require less maintenance than cast iron grids.

Prep area

Make sure everything you need while grilling such as your utensils, seasonings, sauces, and dishes are within your reach. Don't leave your food unattended, or it could burn.

Flip once and do not peek

Try not to open the lid and peek too much, or heat will escape and throw your temperature and cooking times off. Flip your food only once, especially steak and chicken.

Leave space

Leave some space on the grill and between food, so you have room to move food around if you need to.

Use a thermometer

Use a thermometer to ensure food is cooked thoroughly. Follow the appropriate temperatures guidelines for all types of meat, especially poultry.

GRILLING PRO TIP!



Get inspired to create delicious meals from the recipes and grilling techniques at www.napoleon.com and Napoleon's cookbooks.

GRILLING PRO TIP!



Always preheat the grill before cooking to burn off leftover residue and prevent food from sticking to the grate.

OIL AND FAT SUGGESTION!



- Grapeseed Oil
- Sunflower Oil
- Soybean Oil
- Extra Virgin Olive Oil
- Canola Oil

If not available, select an oil or fat that has a high smoke point. Do not use salted fats like butter or margarine.

HOW TO SEASON CAST IRON COOKING GRIDS








This procedure **MUST** be done prior to first use and repeated every 3-4 uses to keep grids looking new.

1. Remove cast iron grids from the grill.
2. Wash grids with warm soapy water and soft cloth. Pat dry and allow grids to completely dry.
3. Apply fat/oil evenly using a silicone brush on both sides.
4. Preheat appliance to 350°F - 400°F (176°C - 204°C).
5. Install cooking grids and cook for 30 minutes.
6. Apply a second even coat of fat/oil on cooking grids, and keep cooking for 30 more minutes.
7. Grids are now seasoned.

NOTE: If rust has formed on the cast iron grids, remove the rust with scouring pad or brass brush and repeat the seasoning process.



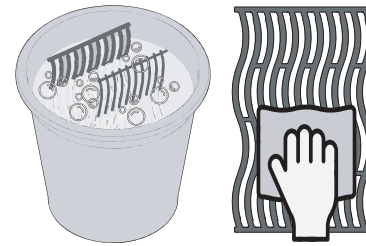
Infrared Grilling Guide

FOOD	CONTROL KNOB SETTING	COOKING TIME	SUGGESTIONS
 Steak 1 inch (2.54 cm) thick	HIGH – 2 minutes each side	Rare – 4 minutes	Ask for marbled fat in cut. Fat is a natural tenderizer and keeps meat juicy.
	HIGH to MEDIUM – High heat 2 minutes each side then turn to medium heat	Medium – 6 minutes	
		Well done – 8 minutes	
 Hamburger ½ inch (1.27 cm) thick	HIGH – 2 minutes each side	Rare – 4 minutes	Keep patties all the same thickness for equal cooking times. Patties 1 inch thick or more should be grilled using indirect heat.
	HIGH – 2 ½ minutes each side	Medium – 5 minutes	
	HIGH – 3 minutes each side	Well done – 6 minutes	
 Chicken	HIGH, MEDIUM, LOW – 2 minutes each side then medium-low to low heat	20 – 25 minutes	Slice joint connecting the thigh and leg ¾ through for the meat to lie flat on the burner and cook evenly.
 Pork Chops	MEDIUM	6 minutes each side	Choose thick cuts for more tender meat. Trim off excess fat.
 Spare Ribs	HIGH to LOW – High for 5 minutes then low until finished	20 minutes each side turning often	Choose lean meaty ribs. Grill until meat pulls easily from the bone.
 Lamb Chops	HIGH to MEDIUM – High for 5 minutes then Medium until finished	15 minutes each side	Choose thick cuts for more tender meat. Trim off excess fat
 Hot dogs	MEDIUM to LOW	4 – 6 minutes	Select larger wieners and slit lengthwise before grilling

Cleaning Instructions

First Time Use

1. Wash grids by hand with water and mild dish soap to remove any residue from the manufacturing process. DO NOT wash in a dishwasher.
2. Rinse thoroughly with hot water and dry completely with a soft cloth to prevent moisture from entering the cast iron.



Cast Iron Grids

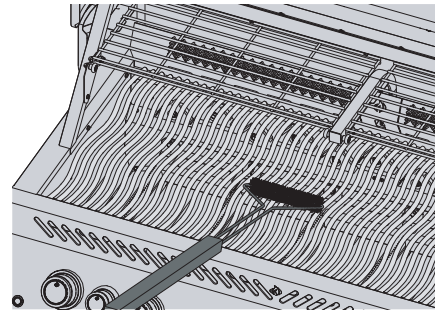
- Season your grids to add a protective coating to prevent corrosion. See Grilling Tips – **How to Season your Cast Iron Cooking Grids.**

Stainless Steel Grids

- Stainless steel cooking grids can be cleaned by preheating the grill and using a wire brush to remove residue.
- Stainless steel grids will permanently discolor from regular use because of high temperatures when grilling.

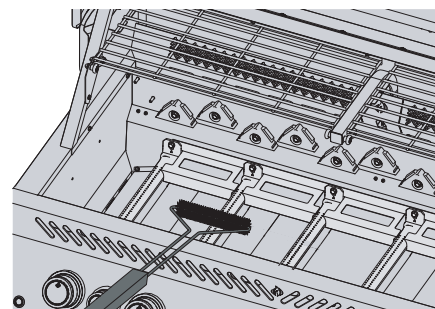
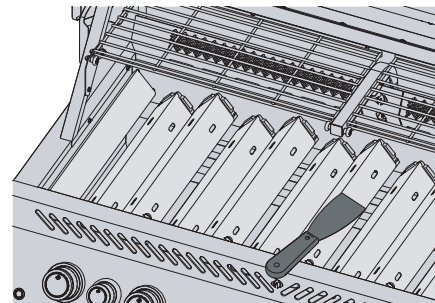
Infrared Side Burner

- Most drippings and food particles that fall on the infrared burner surface incinerates immediately because of the high intensity heat.
- Do not clean the ceramic tile with a wire brush.
- Do not use water or other liquids to clean the burner. An immediate change in temperature will cause cracking of the ceramic tile.
- Light burner and operate on high for 5-10 minutes to remove any left-over residue.



Inside of the Grill

1. Remove the cooking grids.
2. Use a brass wire brush to clean loose debris from the sides and underneath the lid.
3. Scrape the sear plates with a putty knife or scraper. Use a wire brush to remove the ash.
4. Remove the sear plates and brush debris from the burners with a wire brush.
5. Sweep debris from inside the grill into the drip pan.



WARNING! Always wear protective gloves and safety glasses when cleaning your grill.

WARNING! Accumulated grease is a fire hazard.

WARNING! Cleaning should only be done when the grill is cool to avoid the possibility of burns.



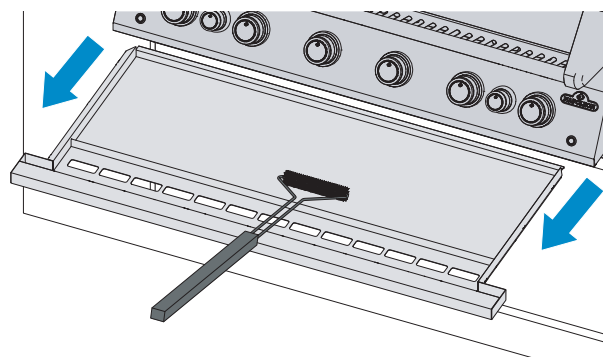
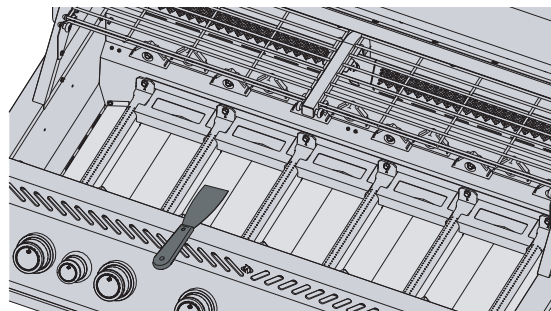
Drip Pan

Every grill head, side burner and drop-in burner have a corresponding drip pan. It is easily accessible through doors or openings.

- Grease and excess drippings collect in the drip pan located beneath the grill and accumulate in the disposable grease tray below the drip pan (if applicable).
- Only use Napoleon approved liners on the drip pan. Never use aluminum foil, sand or any other unapproved material. This can prevent grease from flowing properly.
- Clean frequently to avoid grease build-up – approximately every 4-5 uses.

Cleaning steps:

1. Slide the drip pan from the grill to access the disposable grease tray or to clean the drip pan.
2. Scrape the drip pan out with a putty knife or scraper.
3. Replace the disposable grease tray every 2-4 weeks depending on grill usage (if applicable).
4. See your Napoleon Grill dealer for supplies.



Control Panel

ONLY use warm soapy water.

Text is printed directly on the control panel and will gradually rub off if abrasive or stainless steel cleaners are used.

Proper cleaning of the control panel will ensure the text remains dark and legible.

Aluminum Castings

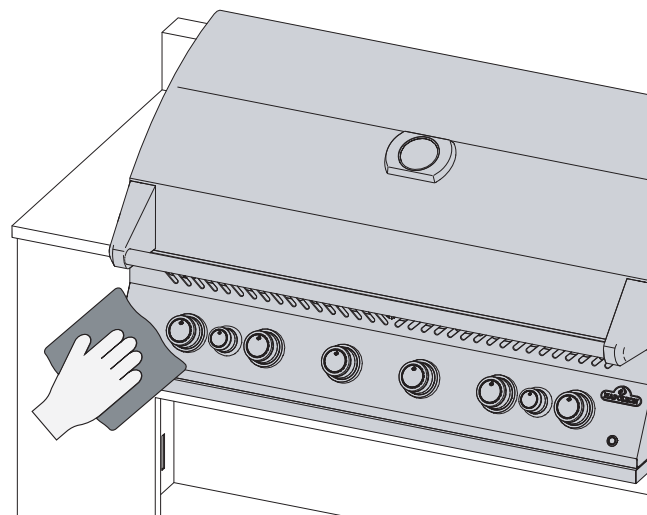
Clean with warm soapy water.

Aluminum doesn't rust, but high temperatures and weathering can cause oxidization on the surface of the castings that look like white spots.

See **"Maintenance Instructions"** for more information on how to prevent oxidized aluminum.

Outside Grill Surface

- Only use a non-abrasive cleaner. Abrasive cleaners or steel wool will scratch the finish.
- Always wipe in the direction of the grain.
- Handle porcelain enamel components with care.
- The baked-on enamel finish is glass-like and will chip if struck.
- Stainless steel parts discolor overtime when heated and will turn a golden or brown hue. This is normal and won't affect the performance of the grill.



WARNING! Ensure all burners are turned off and grill is cool before cleaning. Do not use oven cleaner to clean any part of the grill. Do not put cooking grids or any other parts of the grill in a self-cleaning oven to clean. Clean the grill in an area where cleaning solution won't harm decks, lawns, or patios.

WARNING! Barbecue sauce and salt can be corrosive and will cause rapid deterioration of the grill components unless cleaned regularly.



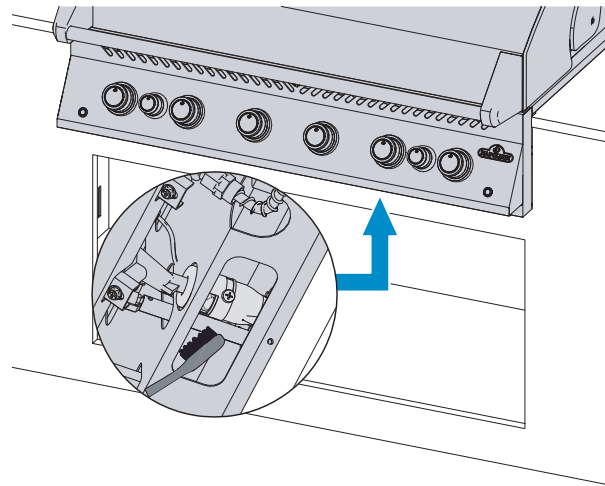
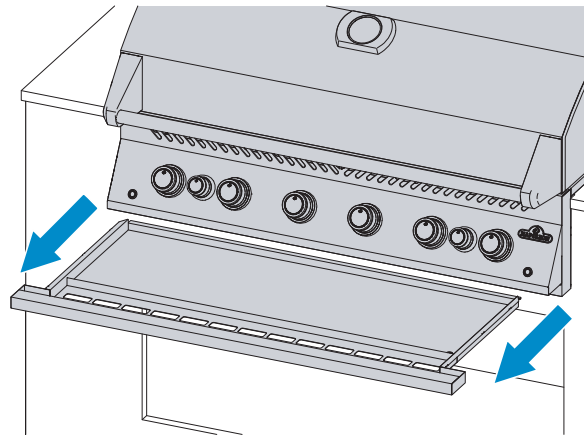
Insect Screen and Burner Ports

Spiders and insects are attracted to small enclosed spaces.

Napoleon has equipped the burner with an insect screen on the air shutter. This reduces the likelihood of insects building nests inside the burner, but doesn't eliminate the problem.

A nest or web can cause the burner flame to burn a soft yellow or orange and cause a fire or flashback at the air shutter underneath the control panel.

1. Remove the screw (s) that attaches the burner to the back wall of the grill. Slide the burner back and upwards to remove.
2. Use a flexible venturi tube brush to clean the inside of the burner.
3. Shake loose debris from the burner through the gas inlet.
4. Check the burner ports and valve orifices for blockages: burner ports can close over time because of cooking debris and corrosion.
5. Use an opened paper clip, or the supplied port maintenance bit to clean burner ports.
6. Drill out blocked ports using the supplied drill bit in a small cordless drill: this can be done with the burner attached to the grill, but it's easier if removed from the grill.
7. Do not flex the drill bit when drilling the ports because the drill bit will break.
8. This drill bit is for burner ports NOT for brass orifices that regulate the gas flow to the burner.
9. Do not enlarge the holes
10. Ensure the insect screen is clean, tight, and free of any lint or other debris.
11. Reverse the procedure to reinstall the burner.
12. Ensure the valve enters the burner when installing.
13. Replace sear plate mount and tighten screws to complete re-installation.



SAFETY FIRST!



Always wear protective gloves and safety glasses when servicing your grill.

WARNING! It is very important the valve/orifice enters the burner tube when reinstalling the burner after cleaning and before lighting your grill, or a fire or explosion could occur.

WARNING! Avoid unprotected contact with hot surfaces.

WARNING! Do not use abrasive cleaners or steel wool on any painted, porcelain, or stainless steel parts of your grill because it will scratch the finish.



Maintenance Instructions

RECOMMENDATIONS

This grill should be thoroughly inspected and serviced annually by a qualified service person.

- Do not obstruct the flow of ventilation and combustion air.
- Keep the cylinder enclosure ventilation openings located on the side of the cart or enclosure and front and back of the bottom shelf clear from debris.

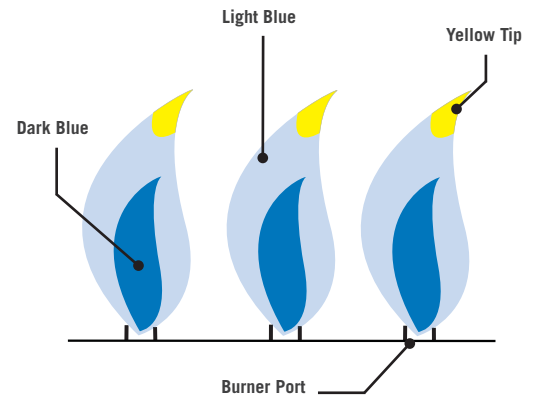
WARNING! Keep the grill away from combustible materials, gasoline, and other flammable vapors and liquids.



COMBUSTION IN AIR ADJUSTMENT

IMPORTANT! This must be done by a qualified gas installer.

- The air shutter is factory set and should not require adjusting under normal conditions. Adjustments might be required under extreme field conditions.
- The flames of the air shutter will be dark blue, tipped with light blue and occasionally yellow when adjusted correctly.
- Too little air flow to the burner will produce soot and lazy yellow flames.
- Too much air flow to the burner will cause flames to lift erratically and cause igniting difficulties.



Adjusting the Air Shutter

1. Remove cooking grids and sear plates. Leave lid open.
2. You may have to open the cabinet door or remove the top drawer (if equipped) to access the air shutter screw located at the mouth of the burner.
3. Remove the back cover to adjust rear tube burner air shutter.
4. Loosen air shutter lock screw and open or close air shutter as required. (Fig. 1)
5. Light the burners on high.
6. Visually inspect burner flames.
7. Turn burners off, tighten locking screws, and replace removed parts when shutters are set correctly.
8. Ensure insect screens are installed.

Note: Infrared burners have no air adjustment.

Model		Orifice Size		Air Shutter	
		Main Burner	Rear Burner	Main Burner	Rear Burner
BIG32RB	Propane	#60	1.25mm	1/2"	Full
	Natural gas	1.45mm	#50	3/8"	Full
BIG38RB	Propane	#60	1.25mm	1/2"	Full
	Natural gas	1.45mm	#50	3/8"	Full
BIG44RB	Propane	#60	1.25mm	1/2"	Full
	Natural gas	1.45mm	#50	3/8"	Full
BI32	Propane	#60	-	-	-
	Natural gas	1.45mm	-	-	-
BIB10RT / BI10RT	Propane	#64	-	-	-
	Natural gas	#55	-	-	-
BIB10IR	Propane	#64	-	-	-
	Natural gas	1.27mm	-	-	-
BIB12RT / BI12RT	Propane	1.2mm	-	-	-
	Natural gas	1.7mm	-	-	-
BIB18RT	Propane	1.2mm	-	-	-
	Natural gas	1.7mm	-	-	-
BIB18IR	Propane	1.15mm	-	-	-
	Natural gas	#52	-	-	-
BIB18PB (outer ring)	Propane	1.75mm	-	-	-
	Natural gas	2.4mm	-	-	-
BIB18PB (inner ring)	Propane	1.4mm	-	-	-
	Natural gas	2.05mm	-	-	-

Fig. 1

STAINLESS IN HARSH ENVIRONMENTS

Stainless steel oxidizes or stains in the presence of chlorides and sulfides, especially in coastal regions, warm and highly humid areas, and around pools and hot tubs. These stains look like rust, but they can be easily removed or prevented. Wash stainless and chrome surfaces every 3-4 weeks. Clean with warm soapy water.

Burner Maintenance

- Extreme heat and a corrosive environment can cause surface corrosion to occur even though the burner is made from heavy wall 304 stainless steel.

Maintenance and Protection of Infrared Burners

Your infrared burners are designed to provide a long service life, but you must be careful to prevent cracking of their ceramic surfaces. Fractures will cause the burners to malfunction.



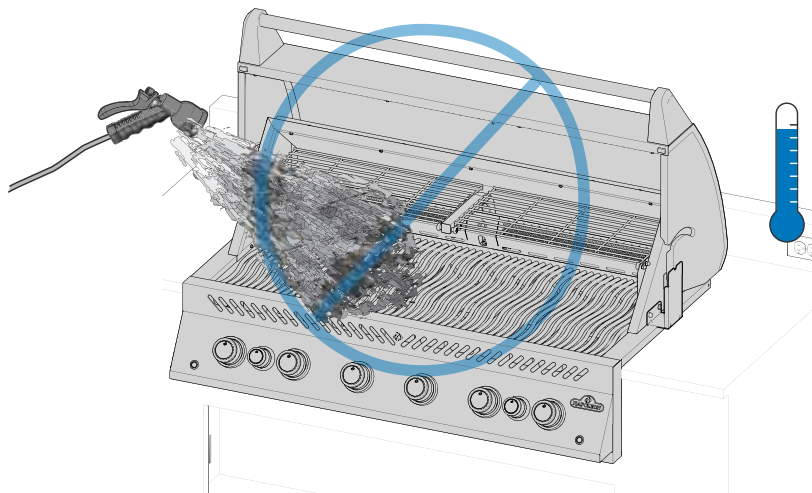
IMPORTANT! Damage resulting from by failure to follow these instructions is NOT covered by your grill warranty.

Steps to Avoid Damaging Ceramic Surfaces

1. Never douse a flame or control flare-ups with water.
2. Do not allow cold water (rain, sprinkler, hose etc.) to come in contact with hot ceramic burners. An immediate change in temperature will cause cracking of the ceramic tile.
3. A ceramic burner that becomes wet before use will create steam when operated later and produce pressure that will crack the ceramic.
4. Repeated soaking of the ceramic can cause it to swell and expand producing pressure that will make the ceramic crack and crumble.
5. Inspect the ceramic for possible water soaking if you find standing water in the grill. Remove the burner if the ceramic is wet. Turn it upside down to drain the excess water. Bring ceramic indoors to dry thoroughly.
6. Do not allow hard objects to impact the burner. Take care when inserting or removing cooking grids and using accessories.

Clearance Ventilation of hot air

- Hot air must have a way to escape the grill for the burners to function properly.
- The burners can become deprived of oxygen if the hot air is not allowed to escape causing them to back-flash. The ceramic can crack if this occurs repeatedly.



WE WANT TO HELP!



Contact the Napoleon Customer Solutions Department for recommended replacement parts.
1-866-820-8686.

SAFETY FIRST!



Never cover more than 75% of any main or side burner cooking surface with any solid metal (e.g. griddles or pans)

WARNING! Turn off gas at the source and disconnect the unit before servicing.

WARNING! Maintenance should only be done when the grill is cool to avoid the possibility of burns.

WARNING! A leak test must be performed annually and when any component of the gas train is replaced, or when the smell of gas is present.



Troubleshooting

Lighting Problems

- Main, rear or side burners will not light with the igniter, but will light with a match.
- Burners will not cross light each other.

	Possible causes	Solution
Main Burner	JETFIRE™ outlet is dirty or clogged	Clean JETFIRE™ outlet with a soft bristle brush.
	Dirty or corroded cross light brackets.	Clean or replace as required.
Rear and Side Burners	Dead battery, or installed incorrectly.	Replace with premium heavy-duty battery.
	Loose electrode wire or switch terminal wires.	Check electrode wire is firmly pushed onto the terminal on the back of the igniter. Check the lead wires from the module to the ignition switch (if equipped) are firmly pushed onto their respective terminals.
	Lifting flames on burner.	Close air shutter according to “Maintenance Instructions”- Combustion Air Adjustment section in this Owner’s Manual. IMPORTANT! This must be done by a qualified gas installer.

Noises and Flare-ups

- Humming regulator.
- Excessive flare-ups and uneven heat.

Possible causes	Solution
Normal humming noise on hot days.	This isn't a defect. It's caused by internal vibrations in the regulator and doesn't affect the performance or safety of the grill. Humming regulators WILL NOT be replaced.
The cylinder valve was opened too quickly.	Open cylinder valve slowly
Sear plates installed incorrectly.	Ensure sear plates are installed with holes towards the front, and the slots on the bottom. See Assembly Instructions Guide.
Improper heating.	Preheat grill with all main burners on high for 10 to 15 minutes.
Excessive grease and ash build on sear plates and in drip pan.	Clean sear plates and drip pan regularly. Do not line pan with aluminum foil. Refer to “Cleaning Instructions” .

Infrared Burner Flashes Back

- During operation the burner abruptly makes a loud whoosh sound, followed by a continuous blow-torch type sound and grows dim or has a large flame on start up.

Possible causes	Solution
Ceramic tiles overloaded with grease drippings and build-up. Ports are clogged	Turner burner OFF and allow to cool for at least 2 minutes. Reignite burner and burn on HIGH for at least 5 minutes, or until the ceramic tiles are evenly glowing red.
Burner overheated because inadequate ventilation. Too much grill surface covered by griddle or pan.	Ensure no more than 75% of the grill surface is covered by objects or accessories. Turn burner OFF and allow to cool for at least 2 minutes. Reignite.
Leaking gasket surrounding the ceramic tile, or a weld failure in the burner housing.	Allow burner to cool and inspect very closely for cracks. Contact your authorized Napoleon dealer to order replacement burner assembly if any cracks are found.
Improper heating.	Preheat grill with both main burners on high for 10 to 15 minutes.
Excessive grease and ash build on sear plates and in drip pan.	Clean sear plates and drip pan regularly. Do not line pan with aluminum foil. Refer to “Cleaning Instructions” .

Gas Flow

- Low heat or low flame when valve is turned to high.
- Burners burn with yellow flame, accompanied by the smell of gas.
- Flames lift away from burner, accompanied by the smell of gas, and possible lighting difficulties.
- Burner output on HIGH, but setting is LOW. Rumbling noise and fluttering blue flame at burner surface.

Possible causes	Solution
Propane – improper lighting procedure	Ensure lighting procedure is followed carefully. All gas valves must be in the OFF position when the tank valve is turned on. Turn tank on slowly to allow pressure to equalize. See Operation – "Lighting Instructions" .
Natural gas – undersized supply line.	Pipe must be sized according to installation code.
Leaking gasket surrounding the ceramic tile, or a weld failure in the burner housing.	Allow burner to cool and inspect very closely for cracks. Contact your authorized Napoleon dealer to order replacement burner assembly if any cracks are found.
Both gas propane and natural gas – improper preheating.	Preheat grill with both main burners on high for 10 to 15 minutes.
Possible spider web or other debris.	Thoroughly clean nest or webs out of your burner orifice by removing it and following instructions in this manual. See "Leak Test" .
Improper air shutter adjustment.	Open or close air shutter slightly according to this manual. See "Maintenance Instructions" . IMPORTANT! This must be done by a qualified gas installer.
Lack of gas	Check gas level in propane cylinder.
Supply hose is pinched.	Reposition supply hose as necessary.
Propane regulator in low flow state.	Turn the burners off and close the tank valve, wait 5 minutes before fully re-opening the valve, allow a few seconds for the pressure to equalize before following the Lighting Instructions to start the grill. Ensure igniting procedure is followed carefully every time you cook. All gas valves must be OFF when the tank valve is turned on. Always open the tank valve slowly.

Peeling Paint

- Paint appears to be peeling inside lid or hood.

Possible causes	Solution
Grease build-up on inside surfaces.	This is not a defect. The finish on the lid and hood is porcelain or stainless steel and will not peel. The peeling is caused by hardened grease, which dries into paint-like shards, that flake off. Regular cleaning will prevent this. See "Cleaning instructions" .

WE WANT TO HELP!



Napoleon is here to ensure your grilling experience is memorable. Contact us if you require additional help.

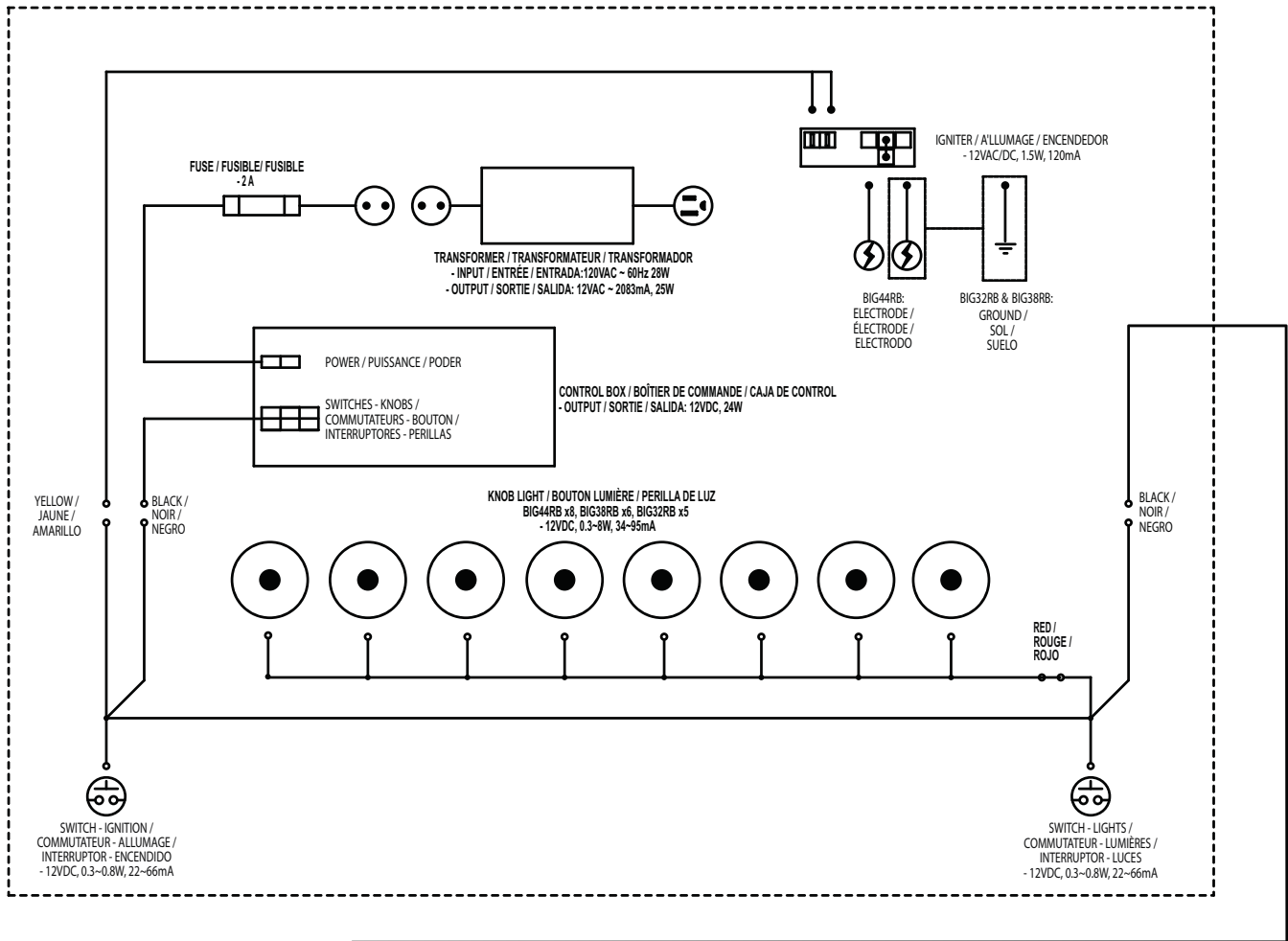
REGISTER YOUR GRILL!



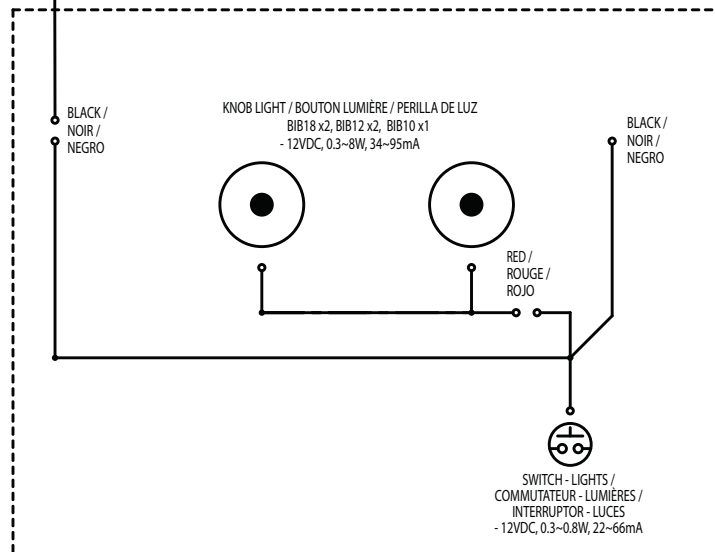
Register your grill! Go to Napoleon.com or your Assembly Guide for replacement parts instructions.

DIAGRAM FOR ELECTRICAL CONNECTIONS

BIG44RB, BIG38RB, BIG32RB



BIB18, BIB12, BIB10



NAPOLEON LIMITED LIFETIME WARRANTY

FOR PRESTIGE®, PRESTIGE PRO™ AND BUILT-IN SERIES MODELS

Napoleon products are designed with superior components and materials and are assembled by trained craftsmen who take great pride in their work. The burner and valve assembly are leak tested and test-fired at a quality test station. This grill has been thoroughly inspected by a qualified technician before packaging and shipping to ensure that you, the customer, receive the quality product you expect from Napoleon. Thank you for purchasing a Napoleon product. Napoleon (Wolf Steel Ltd, Barrie, ON, Canada) warrants that the components in your new Napoleon product will be free from defects in material and workmanship from the date of purchase, for a period of 15 years.



Hood	Lifetime
Stainless Steel Lid.....	Lifetime
Porcelain Enamel Lid	Lifetime
Aluminum Castings.....	Lifetime
Stainless Steel Cooking Grids.....	Lifetime
Stainless Steel Tube Burners.....	Lifetime
Stainless Steel Sear Plates	15 Years
Porcelain Enamel Cast Iron Grids.....	15 Years
Stainless Steel Infrared Rotisserie	15 Years
Infrared Bottom/Side Burner	15 Years
All Other Parts	15 Years

CONDITIONS AND LIMITATIONS:

This Limited Warranty creates a warranty period as specified in the aforementioned table, for products purchased through an authorized Napoleon dealer, and entitles the original purchaser (or gift recipient in the case where a new product is given as a gift) to the specified coverage in respect of any component replaced within the warranty period, either by Napoleon or an authorized Napoleon dealer, to replace a component of such product that has failed in normal private use as a result of a manufacturing defect. This warranty does not cover accessories or bonus items.

For greater certainty, “normal private use” of a product means that the product: has been installed (where applicable) by a licensed, authorized service technician or contractor, in accordance with the installation instructions included with the product and all local and national building and fire codes; has been properly cleaned and maintained according to the instructions; and has not been used as a communal amenity or in a commercial application. In the case of use in communal or commercial applications (where approved), the warranty is reduced to a period of two (2) years.

Similarly, “failure” does not include: damage caused by over-firing, blow outs caused by environmental conditions such as strong winds or inadequate ventilation, scratches, dents, corrosion, deterioration of painted and plated finishes, discoloration caused by heat, abrasive or chemical cleaners or UV exposure, chipping of porcelain enameled parts, or damages caused by misuse, accident, hail, grease fires, lack of cleaning and maintenance, hostile environments such as salt or chlorine, alterations, abuse, neglect or parts installed from other manufacturers. If you live in a coastal area, or have your product located near a pool or hot tub, maintenance includes regular washing and rinsing of the exterior surfaces as outlined in the accompanying owner’s manual, in order to prevent surface corrosion. Should deterioration of parts occur to the degree of non-performance (rusted through or burnt through) within the duration of the warranted coverage, a replacement part will be provided. Parts replaced under this warranty are warranted only for the balance of the period specified in the aforementioned table.

The replacement component is the sole responsibility of Napoleon defined by this warranty; in no event will Napoleon be responsible for installation, labor or any other costs or expenses related to the re-installation of a warranted part, for any incidental, consequential or indirect damages, or for any handling and transportation charges or export duties.

NAPOLEON LIMITED LIFETIME WARRANTY

FOR PRESTIGE®, PRESTIGE PRO™ AND BUILT-IN SERIES MODELS

The use and/or installation of parts on your Napoleon product that are not genuine Napoleon parts will void this warranty, and any damages that result hereby are not covered by this warranty. Any conversion of a gas grill not authorized by Napoleon and performed by a Napoleon authorized service technician will void this warranty.

This warranty is provided in addition to any rights afforded to you by local laws. These and other statutory rights remain unaffected by this warranty provision. Accordingly, this warranty imposes no obligation upon Napoleon to keep parts in stock. Based on the availability of parts, Napoleon may at its discretion discharge all obligations by providing a customer a prorated credit towards a new product. Napoleon may from time to time update the design of its products. Nothing contained in this warranty shall be construed as obligating Napoleon to incorporate such design updates into previously manufactured products, nor shall such updates be construed as an admission that previous designs were defective.

Registering your Napoleon product confirms your warranty coverage, will expedite any warranty claims you may need to make, and provides a link between you and Napoleon in case we ever need to contact you. When making warranty claims, Napoleon representatives may request from you the bill of sale or copy, together with a serial number and a model number. Napoleon reserves the right to have its representative inspect any product or part prior to honoring any warranty claim. You must contact Napoleon Customer Service or an authorized Napoleon dealer to obtain the benefit of the warranty coverage.



SÉRIE BUILT-IN

Manuel du Propriétaire

BI 32, BI12 & BI10,
BIG32, BIG38 & BIG44,
BIB10, BIB12 & BIB18.

Les grilles illustrées dans ce manuel du propriétaire peuvent différer du modèle que vous avez acheté.



Nous voulons que vous nous retourniez!

Visitez [Napoleon.com](https://www.napoleon.com) pour écrire un commentaire.



et enregistrez votre grill

Numéro de Série



TOUTES NOS FÉLICITATIONS SUR VOTRE GRILL NAPOLEÓN!

Vous venez de mettre vos talents chef en valeur.

NOUS VOULONS QUE VOTRE EXPÉRIENCE DE GRILLADE SOIT MÉMORABLE ET SÉCURITAIRE.

Veuillez lire et suivre ce mode d'emploi avant d'utiliser votre gril pour éviter des dommages matériels, blessures corporelles ou décès.

Retirez tout le matériel d'emballage, les étiquettes promotionnelles et les cartes du gril avant de l'utiliser
UTILISER A PLEIN AIR DANS UN ESPACE BIEN VENTILÉ.

JAMAIS ÊTRE UTILISÉ À L'INTÉRIEUR D'UN BÂTIMENT, D'UN GARAGE, OU DE TOUT AUTRE ENDROIT FERMÉ.

DANGER!

Si VOUS DÉTECTEZ UNE ODEUR DE GAZ:

- Coupez l'admission de gaz de l'appareil.
- Eteindre toute flamme nue.
- Ouvrir le couvercle.
- Si l'odeur persiste, éloignez-vous de l'appareil et appelez immédiatement le fournisseur de gaz ou votre service d'incendie.

AVERTISSEMENT!

N'essayez pas d'allumer cet appareil sans lire les instructions de la section Allumer Votre Gril de ce manuel.

Ne pas entreposer ni utiliser l'essence ou d'autres liquides inflammables ou des vapeurs à proximité de cet appareil ou de tout autre appareil.

Une bouteille de propane non raccordée ne doit pas être entreposée à proximité de cet appareil ou de tout autre appareil.

Si l'information contenue dans ces instructions n'est pas respectée exactement, un incendie ou une explosion peut en résulter et causer des dommages matériels, blessures corporelles ou décès.

Sensibiliser les adultes et les enfants aux dangers des températures de surface élevées. Surveillez les jeunes enfants près du gril.

AVIS À L'INSTALLATEUR : Laissez ces instructions au propriétaire du gril pour référence ultérieure.

AVIS AU CONSOMMATEUR : Conservez ces instructions pour référence ultérieure.

Bienvenue à Napoleon!

LA SÉCURITÉ D'ABORD



AVERTISSEMENT! Informations générales

Ce barbecue à gaz est certifié selon les normes canadiennes et américaines. Normes nationales CSA 1.6-2018 et CSA 1.6-2018. ANSI Z21.58 -2018 pour les grils à gaz d'extérieur et doit être installé conformément aux codes locaux. En l'absence de codes locaux, l'installer conformément à la norme CAN B149.1, Code d'installation du gaz naturel et du propane au Canada, ou au National Fuel Gas Code ANSI Z223.1 aux États-Unis. si un moteur de rôtissoire est utilisé, il doit être mis à la terre conformément aux codes locaux. Si une source électrique externe est utilisée, l'appareil doit également être mis à la terre conformément aux codes locaux. En l'absence de codes locaux, suivez le Code canadien de l'électricité CSA C22.1 au Canada ou le National Electrical Code ANSI / NFPA 70 aux États-Unis.



AVERTISSEMENT! Installation & Montage

Assemblez ce gril à gaz exactement comme indiqué dans ce manuel. Si le gril a été assemblé en magasin, passez en revue les instructions d'assemblage pour s'assurer qu'il est correctement assemblé. Effectuer le test d'étanchéité requis avant l'utilisation du gril. Ne modifiez en aucun cas ce gril à gaz. Laisser refroidir avant de mettre ou de retirer des pièces. Ce gril n'est pas destiné à être installé dans ou sur des bateaux. Ou installé dans ou sur des véhicules récréatifs. Ne pas utiliser une bouteille qui n'est pas équipée d'un raccord de type QCC1. Vous devez utiliser le régulateur de pression et le tuyau flexible fournis avec l'appareil. Inspectez le tuyau avant chaque utilisation. Remplacer le tuyau par un régulateur de pression et un tuyau de rechange spécifié par le fabricant du gril avant d'utiliser le gril au gaz, si signes d'abrasion excessive, ou le tuyau est coupé. N'utilisez pas ce gril avec un cordon, une fiche endommagés ou après un dysfonctionnement du gril ou s'il a été endommagé de quelque manière que ce soit. Contactez Napoléon pour réparation.



AVERTISSEMENT! Précautions électriques

Gardez tous les cordons d'alimentation électrique et les tuyaux d'alimentation en carburant éloignés de toutes les surfaces chauffées.

Pour vous protéger contre les chocs électriques, ne plongez pas le cordon ou la fiche dans l'eau ou tout autre liquide. Connectez d'abord tous les composants électriques à l'appareil, puis branchez-les à la prise de courant. Utilisez uniquement un circuit protégé par disjoncteur de fuite à la terre (GFI) avec cet appareil de cuisson extérieur. Ne jamais retirer la fiche de mise à la terre. Ne jamais utiliser avec un adaptateur à 2 broches. Utilisez uniquement des rallonges électriques avec une fiche de mise à la terre à 3 broches homologuée pour la puissance de l'équipement et approuvée pour une utilisation à l'extérieur avec marquage W-A.



AVERTISSEMENT Fonctionnement

Lisez ce manuel en entier avant d'utiliser ce gril à gaz. Test d'étanchéité de ce gril à gaz avant l'utilisation, annuellement et lors du remplacement de tout composant au gaz. Ne laissez pas le cordon pendre du bord d'une table. N'utilisez pas ce gril à des fins autres que celles prévues. Suivez attentivement les instructions d'allumage.



AVERTISSEMENT! Entreposage et désuétude

Coupez le gaz à la bouteille de propane ou au robinet d'alimentation en gaz naturel. Débranchez le tuyau entre la bouteille de propane et le gril à gaz. Débranchez-le de la prise lorsque vous ne l'utilisez pas et avant le nettoyage. Retirez la bouteille de propane et rangez-la à l'extérieur dans un endroit bien aéré, loin des enfants. NE PAS entreposer les bouteilles de propane dans un bâtiment, un garage, une remise ou tout autre espace clos. Débranchez le raccord au gaz naturel de l'alimentation lorsque vous entreposez le gril à gaz à l'intérieur.



PROPOSITION de la Californie 65

Ce produit peut vous exposer à des produits chimiques comme le plomb et plomb composés, qui sont connus dans l'état de Californie pour causer le cancer, et des produits chimiques, y compris le phtalate de di-n-butyle, qui sont connus de l'état de Californie à causer des anomalies congénitales ou d'autres troubles de la reproduction. Pour plus d'informations, visitez le site www.P65Warnings.ca.gov.

CONTENU

Bienvenue à Napoleon!	29
La Sécurité D'abord	
Caractéristiques complètes	30
Pour commencer	31
Autres pratiques d'exploitation sécuritaires	
Dimensions Découpées	
Raccordement au Gaz	
Test de Fuite	
Utilisation	36
Allumer Votre Gril	
Instructions de Grillage	
Comment utiliser le brûleur arrière et la rôtissoire	
Liste de contrôle de Grilling Experience	
Comment assaisonner vos grilles de cuisson	
Guides de Grillades Infrarouges	42
Instructions de Nettoyage	43
Consignes D'Entretien	46
Combustion en réglage d'air	
Acier inoxydable dans des Environnements Difficiles	
Le Diagnostic des Anomalies	48
Schéma de Raccordement Électrique	
Garantie	51



TÉLÉPHONE:
1-866-820-8686



EMAIL
grills@napoleon.com



ONLINE
www.napoleon.com

Caractéristiques complètes

ACCU-PROBE™ La jauge de température permet de lire facilement la température pendant des résultats parfaits.

Double brûleur de rôtissoire infrarouge arrière. Parfait pour la chaleur élevée rôtissage à la broche.

Construction en acier inoxydable sans soudure pour une installation sans faille et une qualité durable.

Brûleur double pour des options de grillades polyvalentes pour créer de délicieux plats d'accompagnement, sauces et plus.

Instant **JETFIRE™** Allumage pour un démarrage rapide et facile.

Brûleurs en acier inoxydable de forte épaisseur pour une qualité durable.

Fourchettes de rôtissoire repliables et bien rangées dans le compartiment de rangement.

Grand réchaud chromé pour augmenter la surface de cuisson.

Grandes grilles de cuisson en acier inoxydable Iconic **WAVE™** avec double position pour les marques distinctives.

Plaques Sear Plates en acier inoxydable à deux niveaux pour un chauffage uniforme et constant et des égouttements de vapeur pour des aliments plus savoureux.

Système de cuisson avec double brûleur dédié infrarouge **SIZZLE ZONE™** pour des steaks parfaitement grillés.

Supports de montage pour rôtissoire pour un montage pratique des deux côtés du grill.

Boutons de commande rétro-éclairés pour les réceptions de fin de soirée.

Accès facile à l'égouttoir avec roulements à rouleaux en acier inoxydable pour un entretien efficace



Les grilles illustrées dans ce manuel du propriétaire peuvent différer du modèle que vous avez acheté. Modèle Vedette: BIG44

Pour commencer



DANGER / AVERTISSEMENT! Informe d'un danger pouvant entraîner un incendie, une explosion, des blessures graves ou la mort.



AVERTISSEMENT / ATTENTION! Avertir d'un danger pouvant entraîner des blessures corporelles mineures ou des dommages matériels.



Portez toujours des gants de protection.



Portez toujours des lunettes de sécurité



ATTENTION! Surface chaude.



Renseignements importants.



Ne fumez pas lorsque vous effectuez un test d'étanchéité au gaz. Des étincelles ou des flammes peuvent causer un incendie, une explosion, des dommages matériels, des blessures graves ou la mort.



Ne jamais utiliser une flamme pour vérifier les fuites de gaz. Des étincelles ou des flammes peuvent causer un incendie, une explosion, des dommages matériels, des blessures corporelles graves, ou la mort.



DANGER! Couper immédiatement l'alimentation en gaz et débrancher l'appareil.

AUTRES PRATIQUES D'EXPLOITATION SÉCURITAIRES

- Ne pas faire passer le tuyau sous le bac d'égouttement. Gérer le dégagement approprié du tuyau jusqu'au fond de l'appareil.
- S'assurer que les plaques de cuisson sont positionnées correctement selon les critères suivants instructions d'installation de la plaque de recherche.
- Les commandes du brûleur doivent être éteintes lorsque vous ouvrez le robinet d'alimentation de la bouteille de propane.
- N'allumez pas les brûleurs avec le couvercle fermé.
- Ne pas utiliser le brûleur arrière avec les brûleurs principaux.
- Ne fermez pas le couvercle du brûleur latéral lorsque le brûleur est en marche ou chaud.
- Ne faites pas frire les aliments sur le brûleur latéral.
- Ne réglez pas les grilles de cuisson lorsqu'elles sont en marche ou chaudes.
- Ne déplacez pas l'appareil pendant son utilisation.
- Couper l'alimentation en gaz de la bouteille de gaz après utilisation.
- Ne modifiez pas l'appareil.
- L'entretien ne doit être effectué que lorsque le gril est froid.
- Gardez tous les cordons d'alimentation électrique et les tuyaux d'alimentation en carburant éloignés de toutes les surfaces chauffées.
- Nettoyer régulièrement le bac à graisse, lèchefrite et saisir les plaques pour éviter l'accumulation et les feux de graisse.
- Ne rangez pas de briquets, d'allumettes ou de tout autre combustible dans le plateau à condiments.
- Inspecter et nettoyer les tubes de venturi du brûleur infrarouge et brûleur principal périodiquement en raison de toiles d'araignées et d'autres obstructions.
- Ne laissez pas de l'eau froide (pluie, gicleur, tuyau d'arrosage, etc.) entrer en contact avec des brûleurs en céramique chaude. Un changement immédiat de température provoquera la fissuration du carreau de céramique.
- Faire en sorte que le gril chauffé n'entre jamais en contact avec de l'eau froide (pluie, gicleur, tuyau d'arrosage, etc.). Un changement de température brutal est susceptible de fendiller la porcelaine et les brûleurs en céramique.
- Ne jamais utiliser de nettoyeur sous pression pour nettoyer un composant du gril.
- Ne fonctionnez pas le gril sous une construction combustible.
- Ne recouvrez jamais plus de 75% de la surface de cuisson avec métal solide.
- N'utilisez pas d'appareil de cuisson en plein air à des fins autres que celles prévues.
- Toujours maintenir une distance minimale de 17" (431mm) à l'arrière et de 9" (228.6mm) sur les côtés par rapport aux combustibles.
- Le BIB18PB requiert un minimum de 17" (431 mm) à l'arrière et 20" (508 mm) sur les côtés.
- Toujours maintenir une distance minimale de 17" (431mm) entre les autres appareils additionnels.

ATTENTION! Le branchement et l'installation du raccord de gaz et du tuyau flexible doivent être effectués par un fournisseur de gaz agréé. et ainsi que les tests d'étanchéité d'utiliser le gril.

ATTENTION! Assurez-vous que le tuyau de propane ne touche pas les surfaces à haute température du gril à gaz, car il pourrait fondre et provoquer un incendie.

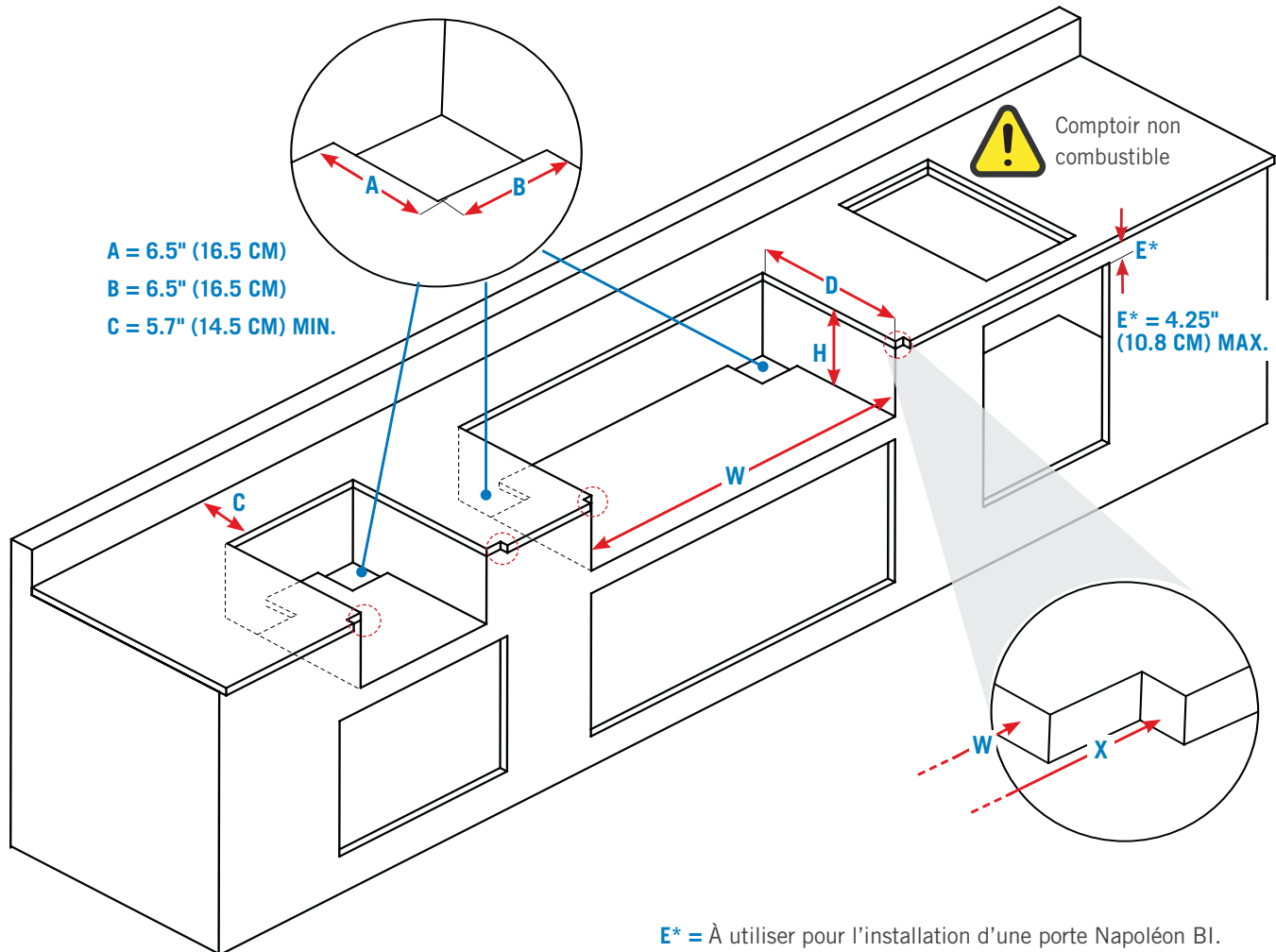
AVERTISSEMENT! Les parties accessibles peuvent être très chaudes. Éloignez les enfants.



DIMENSIONS DÉCOUPÉES

MODEL		DIMENSIONS D'OUVERTURE (POUCES / CM)				DIMENSIONS D'OUVERTURE (POUCES / CM) INSTALLATION DE DOUBLURE ZÉRO CLEARANCE			
		W	X	D	H	W	X	D	H
BIG32 / BI32	Min.	30 / 76.2	33.50 / 85.1	19.4 / 49.3	10.25 / 26.0	34 / 86.4	35.38 / 89.9	21.38 / 54.3	10.38 / 26.4
	Max.	32 / 81.3	-	19.75 / 50.2	-	-	-	-	-
BIG38	Min.	36 / 91.4	39.50 / 100.3	19.4 / 49.3	10.25 / 26.0	40 / 101.6	41.38 / 105.1	21.38 / 54.3	10.38 / 26.4
	Max.	38 / 96.5	-	19.75 / 50.2	-	-	-	-	-
BIG44	Min.	42 / 106.7	45.50 / 115.6	19.4 / 49.3	10.25 / 26.0	46 / 116.8	47.38 / 120.3	21.38 / 54.3	10.38 / 26.4
	Max.	44 / 111.8	-	19.75 / 50.2	-	-	-	-	-
BIB18	Min.	18 / 45.7	21.50 / 54.6	19.4 / 49.3	10.25 / 26.0	22 / 55.9	23.38 / 59.4	21.38 / 54.3	10.38 / 26.4
	Max.	20 / 50.8	-	19.75 / 50.2	-	-	-	-	-
BIB12 / BI12	Min.	12 / 30.5	15.50 / 39.4	19.4 / 49.3	10.25 / 26.0	16 / 40.6	17.38 / 44.1	21.38 / 54.3	10.38 / 26.4
	Max.	14 / 35.6	-	19.75 / 50.2	-	-	-	-	-
BIB10 / BI10	Min.	10 / 25.4	-	18.75 / 47.6	6 / 15.2	-	-	-	-
	Max.	12 / 30.5	-	20.75 / 52.7	-	-	-	-	-

Pour commencer



E^* = À utiliser pour l'installation d'une porte Napoléon BI.

AVERTISSEMENT! Le cadre de l'armoire et l'armoire DOIVENT être faits d'un matériau incombustible lorsque l'appareil n'est pas installé avec la doublure à dégagement zéro correspondant à votre appareil. Reportez-vous à la liste de pièces de votre Guide d'Assemblage pour des informations spécifiques.

ATTENTION! Si le compartiment contient une bouteille GPL, cette construction doit être conforme aux instructions concernant le compartiment à bouteille GPL intégré. Veuillez consulter "Raccord au Gaz".



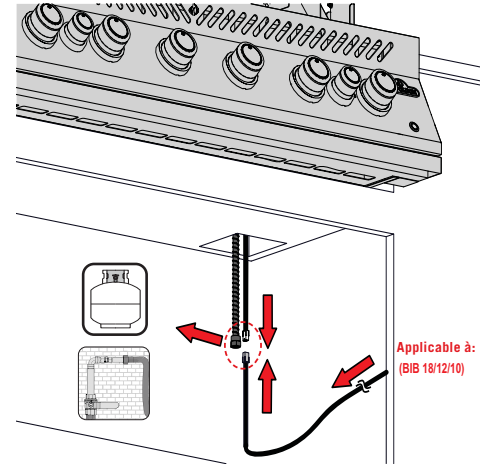
RACCORDEMENT AU GAZ

Ce gril doit fonctionner avec une pression d'alimentation en gaz de 11 pouces de colonne d'eau (0,39 psi) pour le propane et de 7 pouces de colonne d'eau (0,25 psi) pour le gaz naturel. Si l'alimentation en gaz dépasse ces exigences, un régulateur doit être installé en amont des composants du gril. Si l'alimentation en gaz est inférieure aux exigences, l'unité sera sous-allumée et n'atteindra pas les températures maximales.

Vers une conduite d'alimentation en gaz domestique

La tuyauterie jusqu'au gril est la responsabilité de l'installateur.

- La conduite de gaz doit être dimensionnée pour fournir le BTU/h indiqué sur la plaque signalétique, en fonction de la longueur de la tuyauterie.
 - Si vous installez un brûleur latéral, une conduite de gaz séparée doit être dérivée vers l'appareil par une ouverture spécifique à cet endroit.
1. Un robinet d'arrêt manuel facilement accessible doit être installé en amont de l'appareil. Un connecteur métallique flexible est inclus pour simplifier l'installation. Raccorder l'autre extrémité du raccord à la tuyauterie de gaz.
 2. Serrer à l'aide de deux clés. Ne pas utiliser de scellant à filetage ou de produit d'étanchéité pour tuyaux.
 3. S'assurer que le connecteur ne traverse pas un mur, un plancher, un plafond ou une cloison et qu'il est protégé contre les dommages.
 4. Vérifier l'étanchéité de tous les joints avant d'utiliser le gril. Voir "Test de fuité".



AVERTISSEMENT! N'utilisez pas de tuyau pour raccorder l'unité, sauf pour connecter le détendeur de bouteilles au système de tuyauterie. Il doit être raccordé à un tuyau rigide, à un tube en cuivre ou à un connecteur métallique flexible approuvé, conforme à la norme ANSI Z21.24 / CSA 6.10 ou ANSI Z21.75 / CSA 6.27.



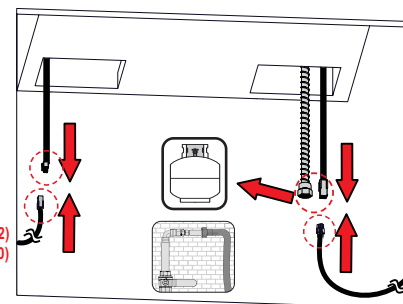
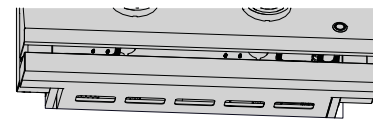
Vers une bouteille de propane portable

N'utilisez qu'une bouteille de propane fabriquée et marquée conformément aux spécifications relatives aux bouteilles de gaz propane liquéfié du ministère américain des Transports (D.O.T.) ou à la norme CAN/CSA-B339 sur les bouteilles, sphères et tubes pour le transport des marchandises dangereuses et Commission, le cas échéant.

Le dispositif de raccordement de la bouteille doit être compatible avec le raccordement de cet appareil extérieur.

La bouteille de propane doit avoir:

- Une vanne d'arrêt avec une connexion QCC1.
 - Un dispositif de décharge de sécurité.
 - Un collier pour protéger la valve.
 - Un dispositif de protection contre le débordement répertorié
1. Vérifiez que la bouteille n'est pas bosselée ou rouillée et faites-la inspecter par votre fournisseur de propane.
 2. Assurez-vous que le tuyau du régulateur de gaz n'est pas plié.
 3. N'acheminez pas le tuyau à proximité du bac d'égouttement.
 4. Retirez le bouchon ou le bouchon du robinet de carburant du cylindre.
 5. Insérez le mamelon noir du régulateur QCC1 sur le robinet de carburant QCC1.
 6. Assurez-vous que le tuyau n'entre en contact avec aucune surface à haute température du gril, car il fondrait et provoquerait un incendie..
 7. Vérifiez l'étanchéité de tous les joints avant d'utiliser le gril. Voir "Test de fuité".



AVERTISSEMENT! N'entreposez pas de propane de rechange. Sous ou près de cet appareil à gaz.

AVERTISSEMENT! N'utilisez jamais une bouteille de propane qui est pleine à plus de 80%.

AVERTISSEMENT! Suivez toutes les spécifications et instructions à la lettre pour éviter tout risque d'incendie, d'explosion, de dommages matériels, de blessures corporelles ou de décès.

AVERTISSEMENT! Débranchez l'appareil à gaz et son robinet d'arrêt individuel du système de tuyauterie d'alimentation en gaz pendant tout essai de pression supérieur à ½ Psi (3,5 Kpa).

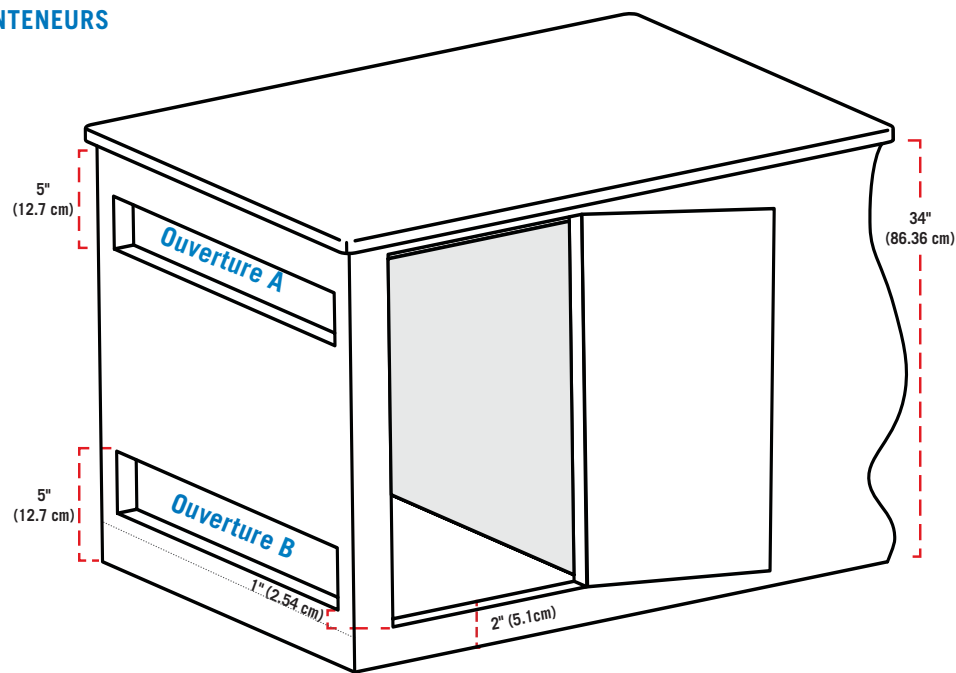
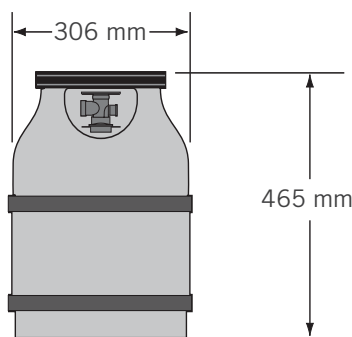


Si vous placez le cylindre dans un boîtier intégré

- La conception de la cloture doit permettre le raccordement et le débranchement de la bouteille de gaz, ainsi que l'inspection et l'essai des raccords à l'extérieur de celle-ci. Les raccords qui pourraient éventuellement être perturbés lors de l'installation du cylindre dans le boîtier peuvent être testés à l'intérieur.
- La bouteille doit être isolée de la cloture du grill et protégée contre les radiations, les flammes, les gouttes chaudes et autres matières étrangères ou dangereuses.
- Une porte sur le boîtier pour accéder au cylindre est acceptable si elle n'est pas verrouillable et peut être ouverte sans utiliser d'outils.
- Il doit y avoir un dégagement minimum de 5.08 cm (2 po) entre le plancher de l'enceinte du cylindre et le sol.
- S'assurer qu'il y a au moins deux ouvertures de ventilation non obstruées sur le côté extérieur exposé de l'enceinte, l'une à moins de 5 pouces (12,7 cm) du haut de l'enceinte et l'autre à moins de 1 pouce (2,54 cm) de la face inférieure de l'ouverture du cylindre.
- L'ouverture supérieure doit avoir une surface libre totale de plus de 130 cm² (20 po²) pour une bouteille de 9,1 kg (20 lb) et de 195 cm² (30 po²) pour une bouteille de 13,6 kg (30 lb).
- L'ouverture inférieure doit avoir une surface libre totale de plus de 65 cm² (10 po²) pour un cylindre de 9,1 kg (20 lb) et de 100 cm² (15 po²) pour un cylindre de 13,6 kg (30 lb).
- Le bord supérieur ne doit pas être à plus de 127 mm (5 po) au-dessus du niveau du plancher.
- Chaque ouverture doit être assez grande pour permettre l'entrée d'une tige de 1/8 po (3,2 mm).
- L'ouverture doit avoir une surface libre en fonction de la taille du cylindre:

Taille du Cylindre	Ouverture A d'une zone	Ouverture B d'une zone
20 lv (9.1 kg)	20 po ² (130 cm ²)	10 po ² (65 cm ²)
30 lv (13.6 kg)	30 po ² (195 cm ²)	15 po ² (100 cm ²)

DIMENSIONS MAXIMALES DES CONTENEURS



AVERTISSEMENT! Fermer le robinet d'arrêt individuel pour isoler l'appareil de gaz du système d'alimentation en gaz pendant tout essai de pression égal ou inférieur à ½ Psi (3,5 Kpa).

AVERTISSEMENT! Vérifiez que le tuyau ne présente pas d'abrasions excessives, de fonte, de coupures ou de fissures et faites remplacer la pièce par votre revendeur napoleon grill ou un installateur au gaz qualifié.



TEST DE FUITE

Pourquoi test de fuite?

Un test d'étanchéité confirme qu'aucun gaz ne s'échappe après avoir branché le tuyau à l'alimentation en gaz.

Chaque fois que le réservoir est rempli et réinstallé, effectuer un essai d'étanchéité du raccord à l'endroit où le régulateur se raccorde au réservoir.

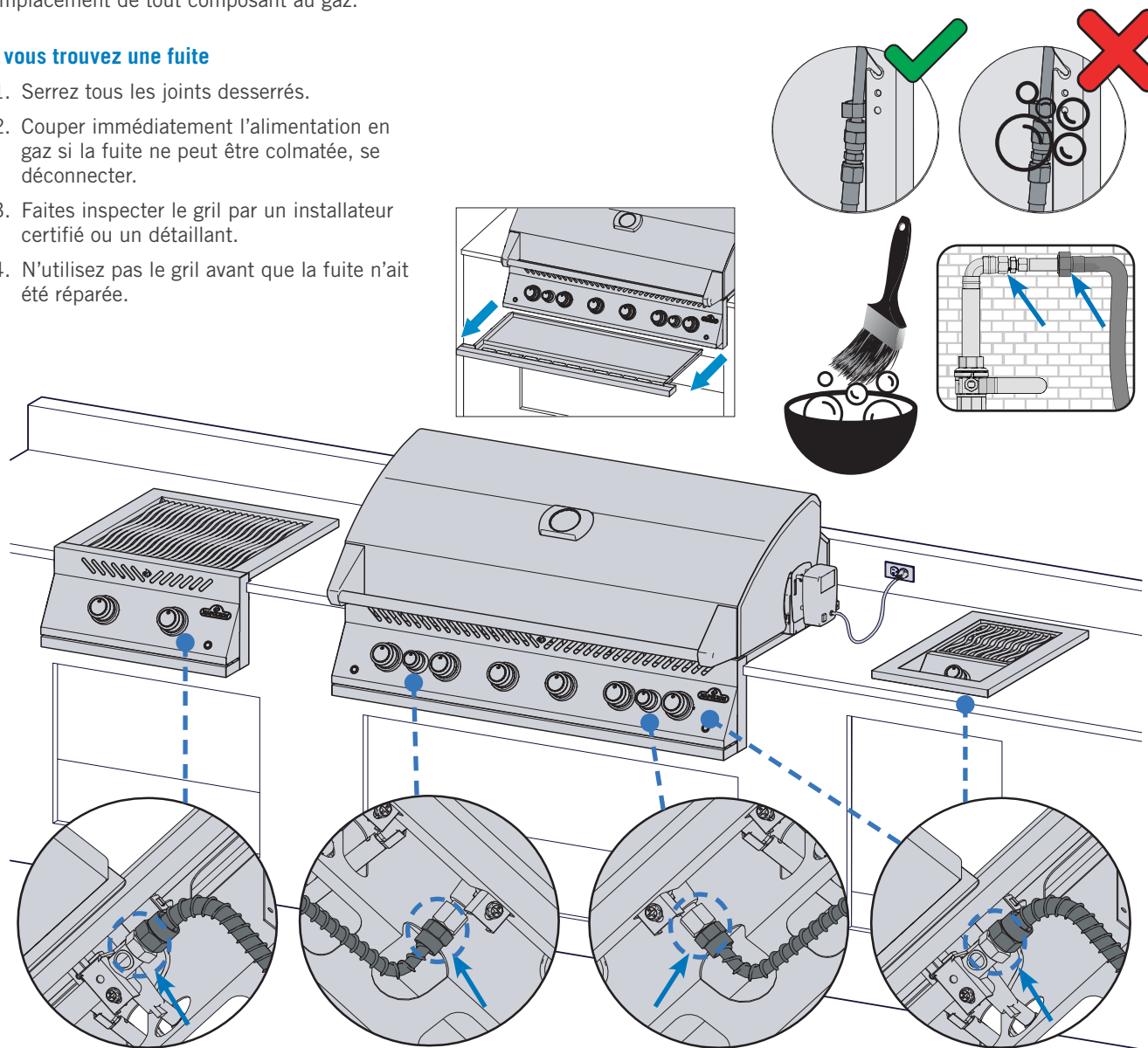
Vérifiez l'étanchéité de ce gril à gaz avant utilisation, une fois par an, et lors du remplacement de tout composant au gaz.

Si vous trouvez une fuite

1. Serrez tous les joints desserrés.
2. Couper immédiatement l'alimentation en gaz si la fuite ne peut être colmatée, se déconnecter.
3. Faites inspecter le gril par un installateur certifié ou un détaillant.
4. N'utilisez pas le gril avant que la fuite n'ait été réparée.

Étapes du test d'étanchéité

1. Ne fumez pas pendant le test.
2. Éliminer toute source d'inflammation.
3. Mettez toutes les commandes du brûleur en position arrêt.
4. Ouvrir le robinet d'alimentation en gaz.
5. Appliquez une solution moitié-moitié d'eau et de savon liquide sur tous les joints et raccords du régulateur, du tuyau, des collecteurs et des vannes.
6. Les bulles indiquent une fuite de gaz.



AVERTISSEMENT! Ne jamais utiliser une flamme pour vérifier les fuites de gaz. Des étincelles ou des flammes peuvent causer un incendie, une explosion, des dommages matériels, des blessures graves ou la mort.

AVERTISSEMENT! Vous devez utiliser le régulateur de pression et le tuyau flexible fournis avec cet appareil à gaz extérieur. Inspectez le tuyau avant chaque utilisation.



Utilisation

ALLUMER VOTRE GRIL

Est-ce la première fois? Effectuer un Burn-off

Enlevez la grille de réchauffement et faites fonctionner les brûleurs principaux à puissance maximale pendant 30 minutes. Il est normal que le gril à gaz dégage une odeur la première fois qu'il est allumé. Cette odeur est causée par le "brûlage" des peintures et lubrifiants internes utilisés dans le processus de fabrication et ne se reproduira plus.

Éclairage du brûleur principal

1. Ouvrir le couvercle du gril.
2. Poussez et tournez lentement le bouton du brûleur principal dans le sens inverse des aiguilles d'une montre. en position HAUTE jusqu'à ce que la veilleuse s'allume. Continuez d'appuyer sur le bouton de commande jusqu'à ce que le brûleur s'allume, puis relâchez-le.
3. La veilleuse ne s'allume pas - tourner immédiatement le bouton de commande dans le sens des aiguilles d'une montre jusqu'à la position OFF. Répétez l'étape 2.
4. La veilleuse et le brûleur ne s'allument pas en 5 secondes - tournez la commande. dans le sens des aiguilles d'une montre jusqu'à la position OFF. Attendez 5 minutes pour que l'essence s'écoule. se dissiper. Répétez les étapes 2 et 3 ou allumez avec une allumette. (Fig. 1)

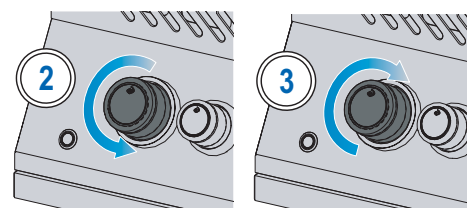
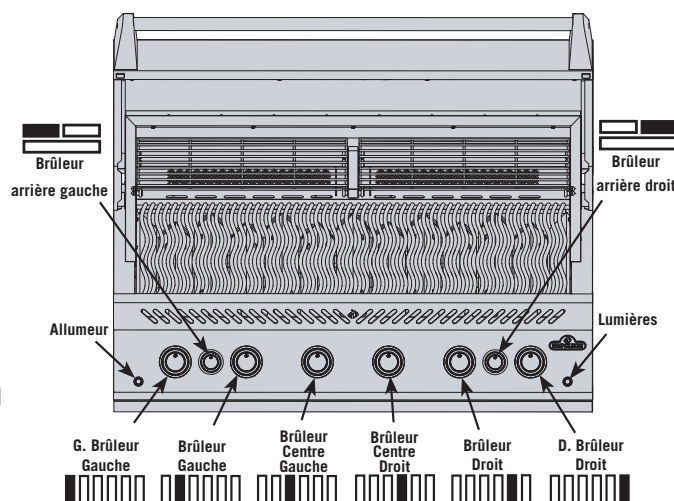


Fig. 1

ATTENTION! Ne pas utiliser le brûleur arrière pendant le fonctionnement du brûleur principal.

Éclairage du brûleur arrière (si équipé)

1. Ouvrir le couvercle du gril.
2. Retirer la grille de réchauffage.
3. Poussez et tournez lentement le bouton du brûleur arrière dans le sens inverse des aiguilles d'une montre jusqu'à la position HAUTE.
4. Appuyez et maintenez enfoncé le bouton de l'allumeur jusqu'à ce que le brûleur s'allume, ou allumez par allumette.
5. Le brûleur ne s'allume pas - tourner le bouton de commande du brûleur dans le sens des aiguilles d'une montre jusqu'à la position OFF. Attendez 5 minutes. Répétez l'étape 3 et 4. (Fig. 1)

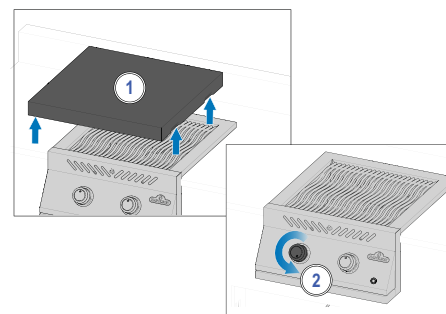


Fig. 2

Éclairage du brûleur latéral (si équipé)

1. Ouvrez le couvercle du brûleur.
2. Poussez et tournez lentement le bouton du brûleur latéral dans le sens inverse des aiguilles d'une montre jusqu'à la position HAUTE.
3. Appuyez et maintenez enfoncé le bouton de l'allumeur jusqu'à ce que le brûleur s'allume, ou allumez par allumette.
4. Le brûleur ne s'allume pas - tourner le bouton de commande du brûleur dans le sens des aiguilles d'une montre jusqu'à ce que la position OFF. Attendez 5 minutes. Répétez l'étape 2 et 3. (Fig. 2)

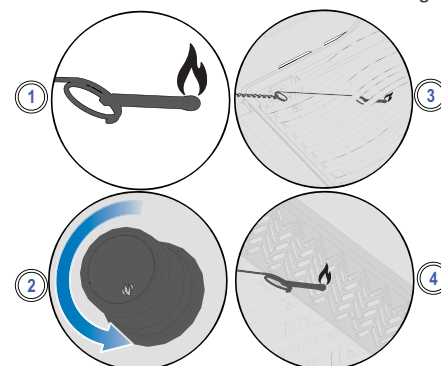


Fig. 3

Éclairage à l'aide d'une allumette

1. Fixer l'allumette dans le support fourni. tige d'éclairage.
2. Passer l'allumette allumée à travers les grilles de cuisson et saisir les plaques.
3. Pendant ce temps, tourner le bouton du brûleur correspondant vers la position HIGH. (Fig. 3)



ATTENTION! Assurez-vous que le couvercle de le gril est OUVERT pendant l'allumage.

ATTENTION! Assurer tout le brûleur les commandes sont en position OFF avant d'ouvrir lentement la vanne d'alimentation en gaz.

ATTENTION! Suivez attentivement les instructions d'éclairage.

ATTENTION! Ne pas ajuster les grilles de cuisson lorsque le gril est chaud ou en fonctionnement.



INSTRUCTIONS DE GRILLAGE

Utilisation du brûleur principal

- Préchauffer le grill avant de saisir les aliments en faisant fonctionner tous les brûleurs principaux à température élevée avec le couvercle fermé pendant environ 10 minutes.
 - Les aliments cuits pendant une courte période, comme le poisson et les légumes peuvent être grillés avec le couvercle ouvert.
 - Griller avec le couvercle fermé assure des températures plus élevées et constantes qui permettent de cuire la viande plus uniformément et de réduire le temps de cuisson.
- Les grilles de cuisson peuvent être huilées avant le préchauffage pour réduire l'adhérence lors de la cuisson de viandes maigres telles que poitrine de poulet ou de porc.
 - Les aliments qui prennent plus de 30 minutes, comme les rôtis, peuvent être cuits indirectement avec le brûleur allumé en face de l'aliment. Voir Grillage indirect.
 - Enlever l'excès de gras de la viande pour éviter les poussées ou réduire la température du grill.
 - Fusées éclairantes - éloignez les aliments des flammes et réduisez la quantité d'aliments qui y sont brûlés la chaleur. Laissez le couvercle ouvert.

Grillage direct

Cette méthode est souvent utilisée pour la cuisson à la poêle ou pour les aliments cuits peu de temps comme les hamburgers, les steaks, le poulet ou les légumes.

Placer les aliments sur les grilles de cuisson directement sur le feu.

Saisir d'abord la viande pour emprisonner le jus et la saveur.

Baisser la température du grill pour terminer la cuisson selon vos préférences.

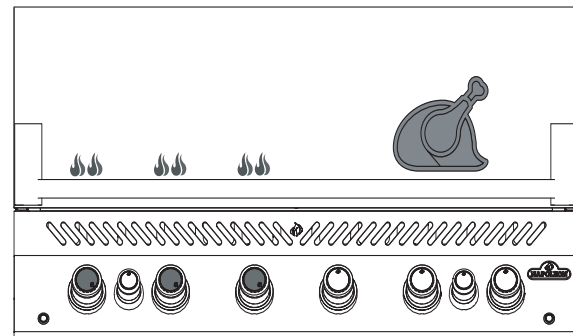
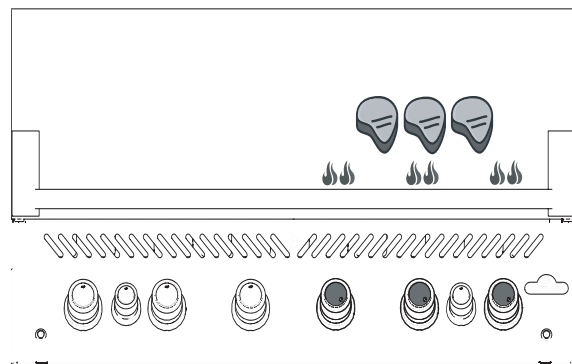
Grillades indirectes

Cette méthode utilise des températures plus basses et fait circuler la chaleur autour des aliments en les cuisant lentement et uniformément.

Utilisez cette méthode pour cuire de plus grosses coupes de viande ou des aliments sujets aux poussées comme le rôti, le poulet ou la dinde.

Allumez un ou plusieurs brûleurs et placez les aliments sur la grille de cuisson là où il n'y a pas de flamme ou le brûleur est allumé.

Griller à une température plus basse et cuire plus lentement permet d'obtenir des viandes plus tendres.



FAITES ATTENTION!



Le couvercle du grill et la boîte à feu entière peut devenir très chaud quand utilisé.

ATTENTION! Ne faites jamais griller les aliments directement sur le brûleur latéral. Le brûleur latéral est conçu pour utiliser uniquement des casseroles et des casseroles.

ATTENTION! Ne fermez pas le couvercle du brûleur latéral lorsqu'il est en marche ou chaud.

ATTENTION! Ne faites pas frire les aliments sur le brûleur latéral. Cuisiner avec de l'huile peut être dangereux.

ATTENTION! Nettoyez régulièrement la graisse de l'ensemble de l'appareil, du bac à graisse et des plaques d'accrochage pour éviter toute accumulation. feux de graisse.

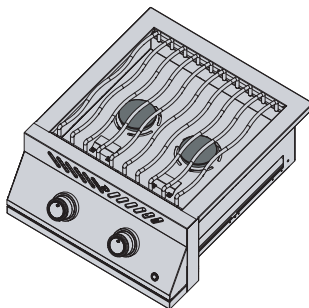


Utilisation du brûleur principal infrarouge (si équipé)

Suivez les instructions d'allumage du brûleur principal et laissez agir à puissance maximale pendant 5 minutes avec le couvercle fermé ou jusqu'à ce que les brûleurs en céramique deviennent rouges.

Faites cuire les aliments directement sur la (les) grille(s) en suivant les instructions du Guide de grillade à l'infrarouge.

Les aliments peuvent être saisis sur le brûleur infrarouge, puis transférés sur les brûleurs principaux du grill pour terminer la cuisson à la chaleur directe ou indirecte, selon vos goûts et vos préférences.

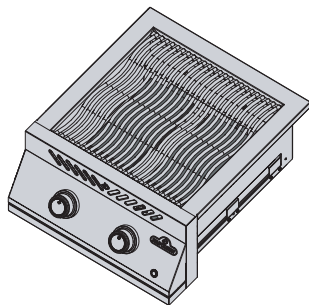


Brûleur latéral de flamme (si équipé)

Le brûleur latéral à flamme peut être utilisé comme une plaque de cuisson pour faire de la sauce ou de la soupe.

Le diamètre recommandé du pot ou de la casserole est de 10" (25 cm).

Assurez-vous que votre grill à gaz se trouve dans un endroit à l'abri du vent ou de la pluie la performance du brûleur latéral sera affectée.

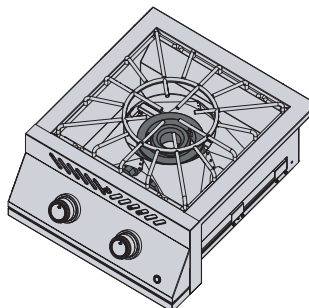


Brûleur latéral infrarouge (si équipé)

Pour faire fonctionner le brûleur latéral, suivez les instructions d'allumage du brûleur latéral. La chaleur infrarouge fournit une surface de cuisson uniforme pour la cuisson des aliments lorsqu'elle est réglée à température élevée.

Pour cuire comme sur une cuisinière, utilisez une température plus basse avec des casseroles de 10" (25 cm) à 12" (30 cm) de diamètre, en prenant soin de ne pas couvrir plus de 75% de la surface.

Certains modèles de brûleurs latéraux sont équipés d'une grille de cuisson réglable en hauteur.



Brûleur de puissance (si équipé)

Le brûleur de puissance possède 2 brûleurs concentriques. Utilisez des casseroles d'un diamètre minimum de 10" (25 cm) lorsque vous utilisez le brûleur central et d'un minimum de 14" (35,5 cm) de diamètre lorsque vous utilisez le brûleur extérieur.

Pour la cuisson au wok, retirez l'anneau central de la grille de cuisson. Respectez les dimensions minimales des pots pour les brûleurs intérieurs et extérieurs.

Remarque: ne laissez jamais un brûleur allumé sans une casserole ou une casserole remplie au-dessus.

Griller la Nuit

Allumez les boutons de commande en appuyant sur l'icône de l'ampoule sur le panneau de commande

Lorsqu'un brûleur fonctionne, le bouton correspondant devient rouge, tandis que le reste reste bleu.

GRILLAGE CONSEIL!

Utiliser un thermomètre pour vérifier la température interne de viande pour assurer sa cuisson parfaitement.

GRILLAGE CONSEIL!

Ajouter un Napoléon accessoire fumeur à votre grill pour aromatiser votre viande.

ATTENTION! Ne laissez pas d'aliments sans surveillance sur un brûleur allumé.

ATTENTION! Gardez le couvercle ouvert si le brûleur infrarouge principal est réglé sur haut pour éviter de brûler accidentellement des aliments.



COMMENT UTILISER LE BRÛLEUR ARRIÈRE ET LA RÔTISSOIRE

Assemblage de votre kit de rôtissoire (si équipé)

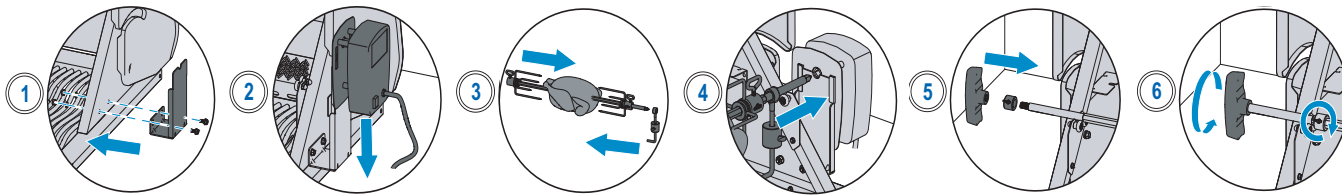
Remarque: Retirez la grille de réchauffage avant d'utiliser le brûleur arrière. crachat tige. Une chaleur extrême endommagera la grille de réchauffement.

1. Installez le moteur de la rôtissoire de chaque côté du gril à l'aide des supports (applicables) (certains modèles ont des supports pré-assemblés).
2. Une fois que le support a été fixé au gril, faites glisser le moteur de la rôtissoire sur le support.
3. Faites glisser la première fourchette de rôtissoire juste après le milieu de la tige de la broche et serrez en place. Enfilez la viande que vous cuisinez sur la tige de la broche et poussez la viande dans la fourchette. Faites glisser la deuxième fourchette à rôtir sur l'extrémité opposée de la broche et poussez la fourchette dans la viande jusqu'à ce qu'elle soit bien fixée. Serrez la fourchette en place.

4. Insérez avec précaution une extrémité de la tige dans le moteur de la rôtissoire et placez l'extrémité opposée sur les crochets. Le côté lourd de la viande pendra naturellement pour équilibrer la charge. Faites glisser la bague sur la tige de broche pour sécuriser les mouvements latéraux.
5. Faites glisser la douille d'arrêt sur la tige de la broche pour assurer le mouvement latéral de la tige de la broche.
6. Serrez la douille d'arrêt et la poignée de la tige du crachat. Placez un plat en métal sous la viande pour recueillir l'égouttement et commencer la cuisson.

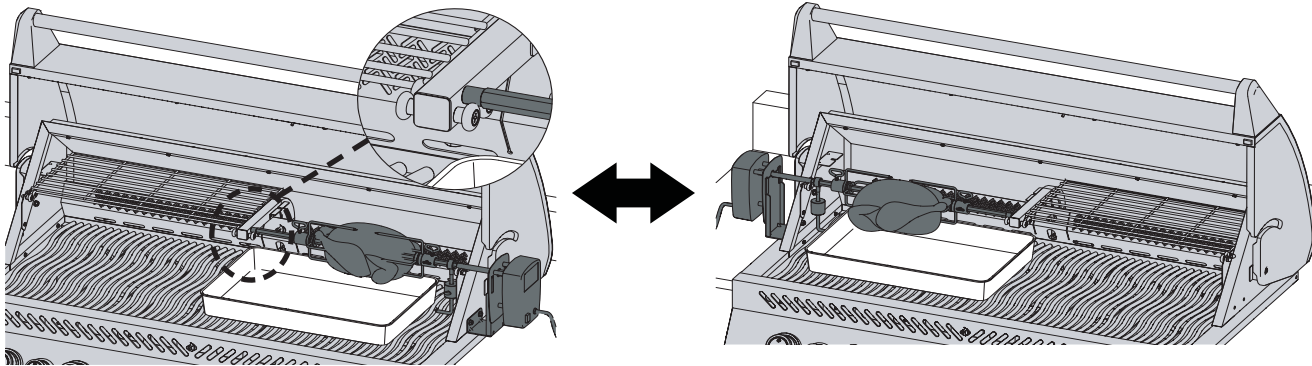


IMPORTANT! Portez toujours des gants pour manipuler les éléments du gril.



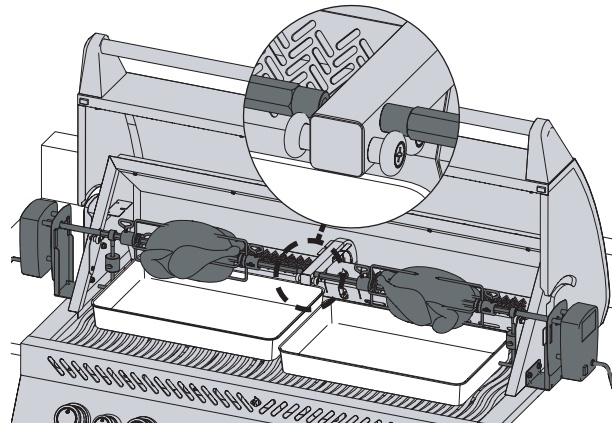
BIG 44 Tige de broche pour rôtissoire: Option 1

- Le moteur de la rôtissoire peut être monté de chaque côté du gril en utilisant les supports appropriés.
- Soyez sûr de retirer la grille de réchauffage en fonction du côté souhaité pour la cuisson.
- Suivez les instructions 3-4 de la section "Utilisation du brûleur arrière et de la tige à broche".
- Placez un plat en métal sous la viande pour recueillir les égouttements et commencer la cuisson.



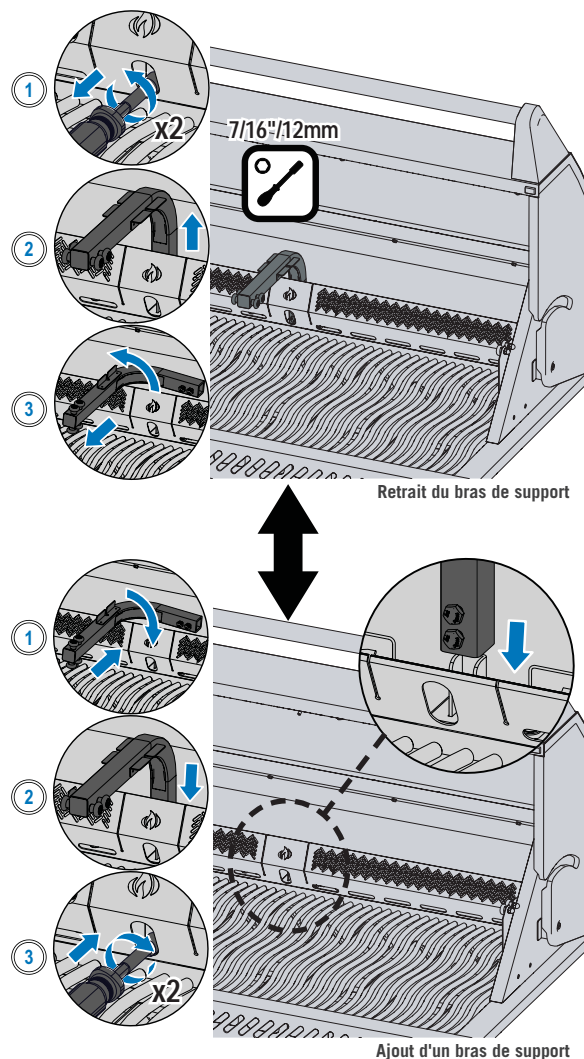
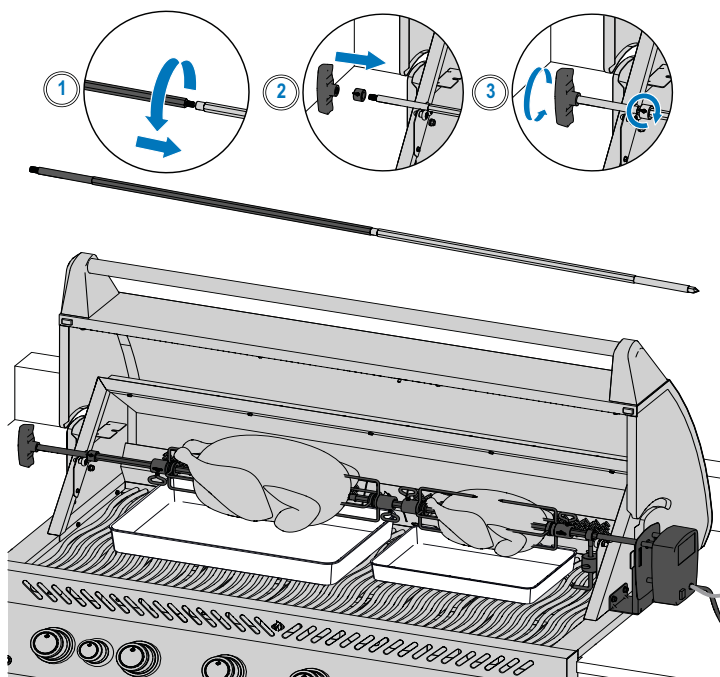
BIG 44 Tige de broche pour rôtissoire: Option 2

- Avec l'achat d'un moteur de rôtisserie supplémentaire, vous pouvez faire fonctionner deux rôtissoires en même temps pour plus de commodité dans la cuisine
- Soyez sûr de retirer les deux grilles de réchauffage et d'installer le moteur de rôtisserie supplémentaire du côté opposé
- Suivez les instructions 3-4 de "Utilisation du brûleur arrière et de la tige à broche" pour charger les deux tiges à broche.
- Placez un plat en métal sous la viande pour recueillir l'égouttement et commencer la cuisson.



Tige de broche pour rôtissoire: Option 3

- Après avoir retiré les deux grilles de réchauffage et installé le moteur de la rôtissoire, vous devez retirer le bras de support de la rôtissoire.
- Enlevez soigneusement les deux attaches qui fixent le bras de support de la rôtissoire au gril.
- Une fois que le bras de support de la rôtissoire a été retiré, installez l'extension de la tige en insérant l'extrémité fileté et en tournant dans le sens des aiguilles d'une montre dans l'extrémité correspondante de la tige de la broche.
- Suivre les étapes 3 à 6 de la section "Utilisation du brûleur arrière et de la tige à broche".



Conseils sur l'utilisation de la rôtissoire:

- Faites fonctionner le brûleur arrière en position haute jusqu'à ce que la viande brunisse. Réduire le feu. Garder le couvercle fermé. Cuisez bien.
- Utilisez un thermomètre pour vérifier la température interne de la viande.
- Les rôtis et la volaille doivent dorer à l'extérieur et rester tendres à l'intérieur.
- Utiliser les égouttures pour arroser et préparer la sauce.
- Un poulet de 3 livres prend environ 1 ½ heures sur la moyenne à élevée.
- Assurez-vous de toujours placer une charge uniformément équilibrée sur votre tournebroche.
- Assurez-vous de toujours équilibrer la charge de votre rôtissoire.

Comment faire cuire plusieurs poulets:

1. Attachez ou brochez les ailes au corps des poulets.
2. Enfiler la fourchette à rôtir sur la broche à broche.
3. Enfiler le premier poulet sur la broche jusqu'à ce qu'il soit maintenu en place par la fourchette à rôtir.
4. Enfilez les 2 poulets suivants sur la tige de la broche pour que tous les poulets soient rapprochés.
5. Enfilez la deuxième fourchette de rôtissoire sur la tige du tournebroche et poussez-la dans le poulet jusqu'à ce que les 3 poulets soient bien serrés. Serrer. Tui condet cute, sulius, nos non in.

AS TU SAVOIR?

Vous pouvez retirer les grilles de cuisson si elles gênent la cuisson de gros morceaux de viande.

ATTENTION! Démontez les composants de la rôtissoire une fois la cuisson terminée, lavez-la à l'eau chaude savonneuse et rangez-la à l'intérieur.

ATTENTION! Utilisez des gants résistants à la chaleur pour manipuler les composants chauds de la rôtissoire.

ATTENTION! Débranchez la fiche de la rôtissoire de la prise lorsque le gril n'est pas utilisé.



LISTE DE CONTRÔLE DE GRILLING EXPERIENCE

Consultez cette liste à chaque fois que vous faites griller:

- Lisez le manuel du propriétaire**

Assurez-vous d'avoir lu le manuel du propriétaire et toutes les instructions de sécurité.

- Nettoyer le bac à graisse**

Assurez-vous toujours de nettoyer le bac à graisse avant de griller pour éviter les incendies et des poussées.

- Vérifiez le tuyau**

Assurez-vous que le gril à gaz est éteint et froid. Vérifiez le tuyau pour la preuve de abrasions ou coupures excessives. Faites remplacer le tuyau avant utilisation si le le tuyau est endommagé.

- Préchauffez et nettoyez les grilles**

Enduisez toute la surface des grilles avec de la graisse végétale, PAS des matières grasses salées comme beurre ou margarine. Préchauffez votre gril pour brûler les résidus. Nettoyer grilles avec une brosse en laiton. Voir la section Instructions de nettoyage. Voir les "Instructions de Nettoyage".

REMARQUE: les grilles de cuisson en acier inoxydable sont durables et résistantes à la corrosion et nécessitent moins d'assaisonnement et d'entretien que les grilles en fonte.

- Zone de préparation**

Assurez-vous que tout ce dont vous avez besoin pour cuisiner, comme vos ustensiles, les assaisonnements, les sauces et les plats sont à votre portée. Ne laissez pas votre nourriture sans surveillance, ou il pourrait brûler.

- Ne jetez pas un coup d'œil**

Essayez de ne pas trop ouvrir le couvercle et de ne pas trop regarder, sinon la chaleur s'échappera et fera baisser votre température et votre temps de cuisson. Ne retournez vos aliments qu'une seule fois, surtout le steak et le poulet..

- Laisser de l'espace**

Laissez un peu d'espace sur le gril et entre les aliments pour que vous ayez de la place pour déplacer les aliments si vous en avez besoin.

- Utilisez un thermomètre**

Utilisez un thermomètre pour vous assurer que les aliments sont bien cuits. Suivre la directives de températures appropriées pour tous les types de viande, en particulier la volaille.

GRILLAGE CONSEIL!



Inspirez-vous des délicieuses recettes sur www.napoleon.com et des livres de cuisine de Napoleon.

GRILLAGE CONSEIL!



Préchauffez toujours le gril avant la cuisson pour éliminer les résidus et éviter que les aliments ne collent.

SUGGESTION D'HUILE ET DE GRAISSE!



- L'huile de pépins de raisin
- Huile de tournesol
- L'huile de soja
- Huile d'olive extra vierge
- Huile de canola

Si non disponible, sélectionnez une huile ou une graisse qui a un taux de combustion élevé. N'utilisez pas de graisses salées comme le beurre ou la margarine.

COMMENT ASSAISONNER VOS GRILLES DE CUISSON








Cette procédure DOIT être effectuée avant la première utilisation et répétée toutes les 3-4 utilisations pour que les grilles restent neuves.

1. Retirez les grilles en fonte du gril.
2. Lavez les grilles avec de l'eau savonneuse tiède et un chiffon doux. Séchez et laissez les grilles sécher complètement.
3. Appliquez la graisse / l'huile uniformément à l'aide d'une brosse en silicone des deux côtés.
4. Préchauffez l'appareil à 350°F - 400°F (176°C - 204°C).
5. Installez des grilles de cuisson et laissez cuire 30 minutes.
6. Appliquer une deuxième couche uniforme de graisse / huile sur les grilles de cuisson et cuire 30 minutes.
7. Les grilles sont maintenant assaisonnées.

REMARQUE: Si de la rouille s'est formée sur les grilles en fonte, retirez la rouille avec un tampon à récurer ou une brosse en laiton et répétez le processus d'assaisonnement.



Guides de Grillades Infrarouges

ALIMENTS	RÉGLAGE DU BOUTON DE COMMANDE	TEMPS DE CUISSON	SUGGESTIONS
 Steak 1 pouce (2,54 cm) d'épaisseur	ÉLEVÉ - 2 minutes de chaque côté	Rare – 4 minutes	Demander de la graisse marbrée en coupe. Le gras est un attendrisseur naturel et garde la viande juteuse.
	HAUT à MOYEN - chauffer 2 minutes de chaque côté puis tourner à feu moyen	Moyen -6 minutes	
		Bien cuit - 8 minutes	
 Hamburger ½ pouce (1,27 cm) d'épaisseur	ÉLEVÉ - 2 minutes de chaque côté	Rare – 4 minutes	Garder les galettes de la même épaisseur pour des temps de cuisson égaux. Les galettes de 1 pouce d'épaisseur ou plus doivent être grillées à la chaleur indirecte.
	ÉLEVÉ - 2 1/2 minutes de chaque côté	Moyen -5 minutes	
	ÉLEVÉ - 3 minutes de chaque côté	Bien cuit - 6 minutes	
 Poulet	HAUT à MOYEN - chauffer 2 minutes de chaque côté puis tourner à feu moyen	20 – 25 minutes	Trancher l'articulation reliant la cuisse et la cuisse $\frac{3}{4}$ à travers pour que la viande repose à plat sur le brûleur et cuire uniformément.
 Côtelettes de porc	MOYEN	6 minutes de chaque côté	Choisissez des coupes épaisses pour une viande plus tendre. Enlever l'excès de gras.
 Côtes levées	HAUT à BAS - Élevé pour 5 minutes puis bas jusqu'à ce que fini	20 minutes de chaque côté en tournant souvent	Choisissez des côtes levées maigres et charnues. Grillé jusqu'à ce que la viande se détache facilement de l'os.
 Côtelettes d'agneau	HAUT à MOYEN - Haut pendant 5 minutes puis Moyenne jusqu'à la fin	15 minutes de chaque côté	Choisissez des coupes épaisses pour une viande plus tendre. Enlever l'excès de gras
 Saucisses	MOYEN à FAIBLE	4 – 6 minutes	Choisir des saucisses fumées plus grosses et les fendre dans le sens de la longueur avant de les griller.

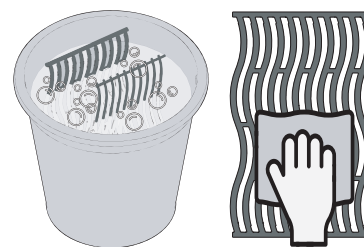
Instructions de Nettoyage

Première utilisation

1. Lavez les grilles à la main avec de l'eau et du savon doux pour enlever tout résidu du processus de fabrication. NE PAS laver dans un Lave-vaisselle.
2. Bien rincer à l'eau chaude et sécher complètement avec un chiffon doux pour empêcher l'humidité de pénétrer dans la fonte

Grilles en fonte

- Assaisonnez vos grilles pour ajouter un revêtement protecteur contre la corrosion. Voir Conseils de grillage - **Comment assaisonner vos grilles de cuisson.**



Grilles en acier inoxydable

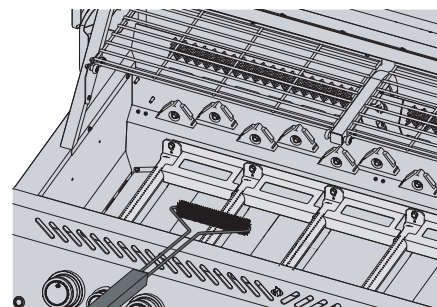
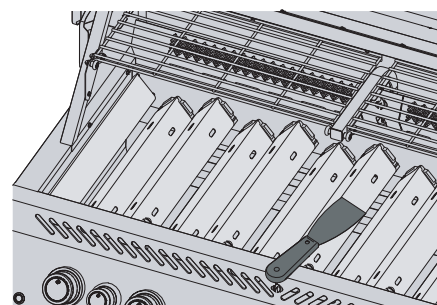
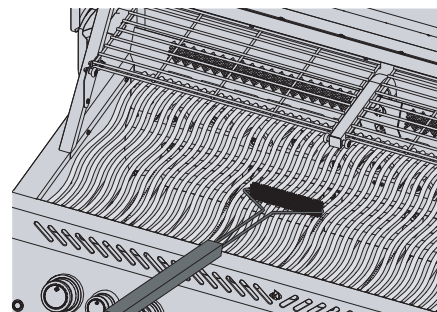
- Les grilles de cuisson en acier inoxydable peuvent être nettoyées en préchauffant le gril et en utilisant une brosse métallique pour enlever les résidus.
- Les grilles en acier inoxydable se décoloreront de façon permanente lors d'une utilisation régulière en raison des températures élevées lors du grillage.

Brûleur latéral infrarouge

- La plupart des matières grasses et des particules alimentaires tombant sur le brûleur infrarouge surface incinère immédiatement en raison de la chaleur de haute intensité.
- Ne nettoyez pas le carreau de céramique avec une brosse métallique.
- N'utilisez pas d'eau ou d'autres liquides pour nettoyer le brûleur. Un immédiat changement de température entraînera la fissuration du carreau de céramique.
- Allumez le brûleur et laissez-le fonctionner pendant 5 à 10 minutes pour éliminer tout résidu restant.

À l'intérieur du gril

1. Retirez les grilles de cuisson.
2. Utilisez une brosse métallique en laiton pour nettoyer les débris détachés des côtés de la pièce coulée et sous le couvercle.
3. Grattez les plaques de brûlage avec un couteau à mastic ou un grattoir. Utilisez une brosse métallique enlever les cendres.
4. Retirez les plaques de brûlage et les débris de la brosse des brûleurs avec une brosse métallique.
5. Balayez les débris de l'intérieur du gril dans le bac d'égouttement.



ATTENTION! Portez toujours des gants de protection et des lunettes de sécurité lors du nettoyage de votre gril.

ATTENTION! L'accumulation de graisse est un risque d'incendie.

ATTENTION! Le nettoyage ne doit être effectué que lorsque le gril est froid pour éviter tout risque de brûlure.



Tiroir D'égouttement

Chaque tête de grill, brûleur latéral et brûleur encastrable est muni d'un bac d'égouttement correspondant facilement accessible par les portes ou les ouvertures.

- La graisse et les excès de jus de cuisson s'accumulent dans le tiroir d'égouttement situé sous le grill à gaz et s'accumulent dans le bac à graisse jetable sous le plateau d'égouttement (le cas échéant).
- Utilisez uniquement des doublures approuvées Napoléon sur le bac d'égouttement. N'utilisez jamais de papier d'aluminium, de sable ou tout autre matériau non approuvé. Cela peut empêcher la graisse de couler correctement.
- Nettoyer fréquemment pour éviter l'accumulation de graisse -environ toutes les 4-5 utilisations.

Étapes de nettoyage:

1. Faites glisser le tiroir d'égouttement hors du grill pour accéder le récipient à graisse aluminium jetable ou pour nettoyer le tiroir d'égouttement.
2. Gratter le tiroir d'égouttement avec un grattoir ou un couteau a mastic.
3. Remplacez le récipient à graisse aluminium jetable, toutes les 2 à 4 semaines selon l'utilisation du grill. (le cas échéant)
4. Consultez votre détaillant de Napoleon Gril pour les pièces de remplacement.

Panneau de Contrôle

Utilisez UNIQUEMENT de l'eau chaude savonneuse.

Le texte est imprimé directement sur le panneau de commande et s'efface progressivement si des nettoyeurs abrasifs ou l'acier inoxydable sont utilisés.

Un nettoyage adéquat du panneau de commande garantit que le texte reste sombre et lisible.

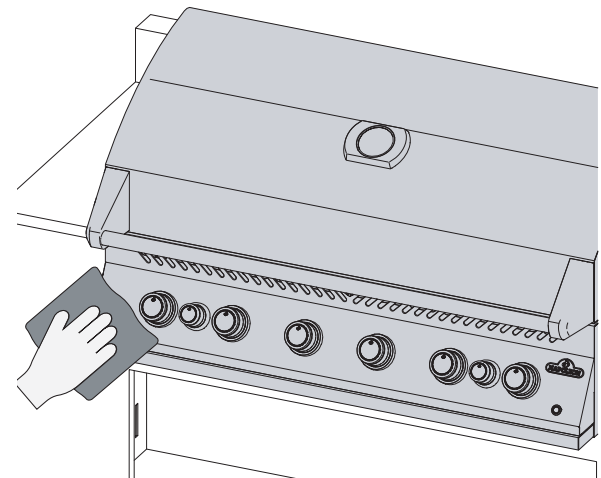
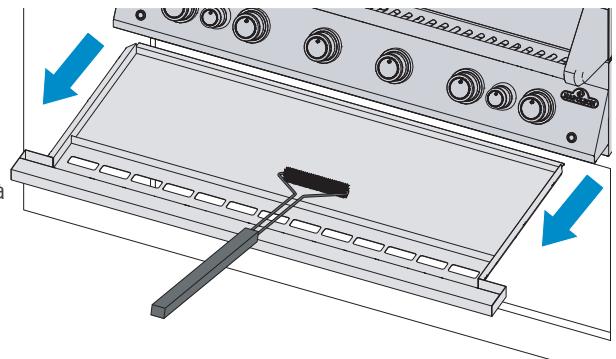
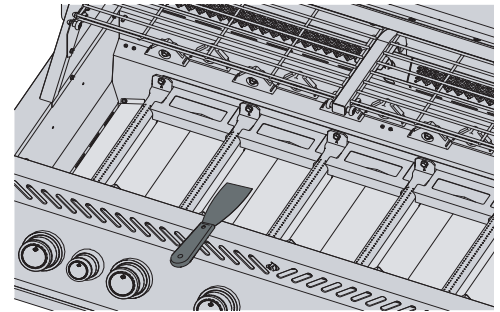
Castings d'Aluminium

Nettoyer à l'eau tiède savonneuse. L'aluminium ne rouille pas, mais les températures élevées et les intempéries peuvent causer l'oxydation à la surface des pièces moulées qui ressemblent à des taches blanches.

Voir **"INSTRUCTIONS D'ENTRETIEN"** pour plus d'informations sur la façon de prévenir l'oxydation de l'aluminium.

Surface extérieure du grill

- Utilisez uniquement un nettoyeur non abrasif. Les nettoyeurs abrasifs ou la laine d'acier égratigneront le fini.
- Essuyez toujours dans le sens du grain.
- Manipulez les composants en émail porcelainé avec soin.
- La finition émaillée cuite au four est semblable à du verre et s'écaillera si elle est frappée.
- Les pièces en acier inoxydable se décolorent avec le temps lorsqu'elles sont chauffées et deviennent dorées. ou de teinte brune. Ceci est normal et n'affectera pas la fonction la performance du grill.



AVERTISSEMENT! Assurez-vous que tous les brûleurs sont éteints et que le grill est froid avant de le nettoyer. N'utilisez pas de nettoyeur pour four pour nettoyer les une partie du grill. Ne mettez pas les grilles de cuisson ou toute autre partie du grill dans un four autonettoyant à nettoyer. Nettoyer le grill dans un endroit où la solution de nettoyage n'endommagera pas les terrasses, les pelouses ou les patios.

AVERTISSEMENT! Le barbecue et le sel peuvent être corrosifs et causer une détérioration rapide des composants du grill à gaz à moins que nettoyés régulièrement.



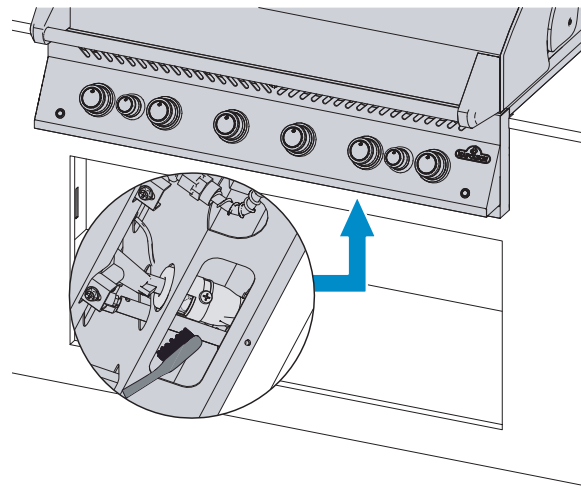
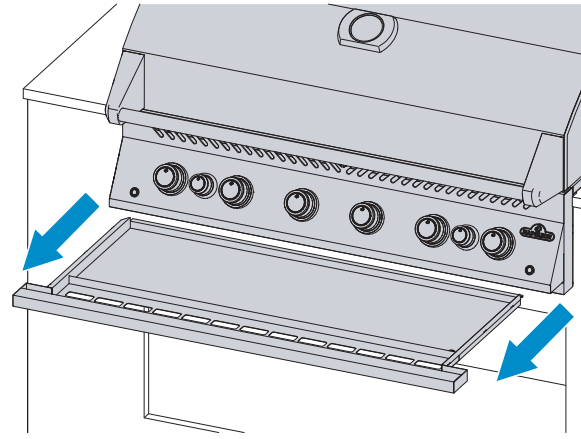
Nettoyage des araignées et des insectes du brûleur

Les araignées et les insectes sont attirés par les petits espaces.

Le brûleur est équipé d'une moustiquaire sur le volet d'air, réduit la probabilité que des insectes construisent des nids à l'intérieur du brûleur, mais n'élimine pas le problème.

Un nid ou une toile peut faire brûler la flamme du brûleur d'un jaune tendre ou d'un jaune doux, orange et provoquer un incendie ou un retour de flamme au niveau de l'obturateur d'air situé en dessous de l'obturateur, panneau de contrôle.

1. Retirez la ou les vis qui fixent le brûleur à la paroi arrière de le grill. Faites glisser le brûleur vers l'arrière et vers le haut pour le retirer.
2. Utilisez une brosse à tube de venturi flexible pour nettoyer l'intérieur du brûleur.
3. Secouez les débris détachés du brûleur par l'entrée de gaz.
4. Vérifier si les orifices du brûleur et les orifices des vannes ne sont pas obstrués : brûleur peuvent se fermer avec le temps à cause des débris de cuisson et de la corrosion.
5. Utilisez un trombone ouvert ou le trépan d'entretien de port fourni pour nettoyer les orifices du brûleur.
6. Percer les orifices bloqués à l'aide de la mèche fournie dans un petit trou de perçage perceuse sans fil : cela peut être fait avec le brûleur fixé sur l'appareil, mais c'est plus facile si on le retire du grill.
7. Ne pas fléchir le foret lors du perçage des orifices car le foret se brisera.
8. Ce foret est destiné aux orifices de brûleur NON PAS pour les orifices en laiton qui régulent le débit de gaz vers le brûleur.
9. Ne pas agrandir les trous.
10. Assurez-vous que la moustiquaire est propre, serrée et exempte de peluches ou de peluches d'autres débris.
11. Inversez la procédure pour réinstaller le brûleur.
12. S'assurer que la soupape pénètre dans le brûleur lors de l'installation.
13. Remplacez le support de plaque de recherche et serrez les vis pour terminer la réinstallation.



Nettoyage

LA SÉCURITÉ D'ABORD!

Portez toujours des gants de protection et des lunettes de sécurité lors de l'entretien de votre grill.

ATTENTION! Il est très important que la valve / l'orifice pénètre dans le tube du brûleur lors de la réinstallation du brûleur après nettoyage et avant d'allumer votre grill à gaz, sinon un incendie ou une explosion pourrait se produire.

ATTENTION! Évitez tout contact non protégé avec des surfaces chaudes.

ATTENTION! Ne pas utiliser de nettoyants abrasifs ni de laine d'acier sur les parties peintes, en porcelaine ou en acier inoxydable de votre grill à gaz, car il va rayer la finition.

Consignes D'Entretien

Recommandations

Ce gril doit être minutieusement inspecté et entretenu annuellement par un technicien qualifié.

- Ne pas obstruer le flux de ventilation et d'air de combustion.
- Conservez les ouvertures de ventilation de l'enceinte du cylindre situées sur le côté du chariot et à l'avant et à l'arrière de la tablette inférieure, clair des débris.

ATTENTION! Gardez le gril à gaz à l'écart des matières combustibles, de l'essence et des autres vapeurs inflammables.

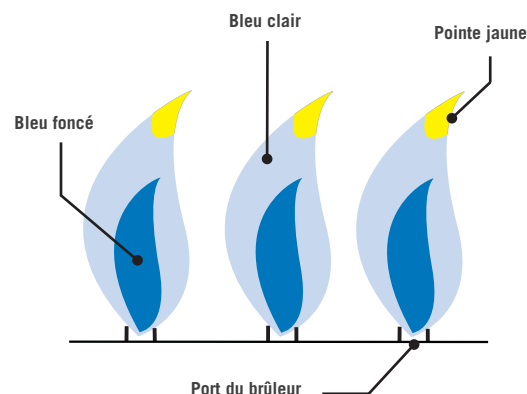


COMBUSTION EN RÉGLAGE D'AIR



IMPORTANT! Ceci doit être fait par un installateur de gaz qualifié.

- L'obturateur d'air est réglé en usine et ne nécessite aucun réglage sous des conditions normales. Des ajustements peuvent être nécessaires sous conditions de terrain extrêmes.
- Les flammes de l'obturateur d'air seront bleu foncé, avec une pointe de lumière bleu et parfois jaune lorsqu'il est ajusté correctement.
- Un débit d'air trop faible vers le brûleur produira de la suie et un jaune paresseux. flammes.
- Trop de flux d'air vers le brûleur provoquera une montée irrégulière des flammes et causera des difficultés enflammées.



Réglage de l'obturateur d'air

1. Retirez les grilles de cuisson et les plaques de cuisson. Laisser le couvercle ouvert.
2. Vous devrez peut-être ouvrir la porte du meuble ou retirer le tiroir du haut (si équipé) pour accéder à la vis d'obturation d'air située à l'embouchure du le brûleur.
3. Retirez le capot arrière pour régler l'obturateur d'air du brûleur à tube arrière.
4. Desserrer la vis de blocage de l'obturateur d'air et ouvrir ou fermer l'obturateur d'air Champs obligatoires. (Fig. 1)
5. Allumez les brûleurs en haut.
6. Inspectez visuellement les flammes du brûleur.
7. Éteignez les brûleurs, serrez les vis de blocage et remplacez les pièces retirées. lorsque les volets sont réglés correctement.
8. Assurez-vous que les moustiquaires sont installées.

Remarque: Les brûleurs infrarouges ne disposent d'aucun réglage d'air.

Modèle		Taille de l'orifice		Volet d'air	
		Principal	Arrière	Principal	Arrière
BIG32RB	Propane	#60	1.25mm	1/2"	Full
	Gaz naturel	1.45mm	#50	3/8"	Full
BIG38RB	Propane	#60	1.25mm	1/2"	Full
	Gaz naturel	1.45mm	#50	3/8"	Full
BIG44RB	Propane	#60	1.25mm	1/2"	Full
	Gaz naturel	1.45mm	#50	3/8"	Full
BI32	Propane	#60	-	-	-
	Gaz naturel	1.45mm	-	-	-
BIB10RT / BI10RT	Propane	#64	-	-	-
	Gaz naturel	#55	-	-	-
BIB10IR	Propane	#64	-	-	-
	Gaz naturel	1.27mm	-	-	-
BIB12RT / BI12RT	Propane	1.2mm	-	-	-
	Gaz naturel	1.7mm	-	-	-
BIB18RT	Propane	1.2mm	-	-	-
	Gaz naturel	1.7mm	-	-	-
BIB18IR	Propane	1.15mm	-	-	-
	Gaz naturel	#52	-	-	-
BIB18PB (bague extérieure)	Propane	1.75mm	-	-	-
	Gaz naturel	2.4mm	-	-	-
BIB18PB (bague intérieure)	Propane	1.4mm	-	-	-
	Gaz naturel	2.05mm	-	-	-

Fig. 1

ACIER INOXYDABLE DANS DES ENVIRONNEMENTS DIFFICILES

L'acier inoxydable oxyde ou se tache en présence de chlorures et sulfures, en particulier dans les régions côtières, les zones chaudes et très humides, et autour des piscines et des spas. Ces taches ressemblent à de la rouille, mais elles peuvent être facilement éliminées ou empêchées. Laver les surfaces en acier inoxydable et en chrome toutes les 3-4 semaines.

Entretien du brûleur

- Une chaleur extrême et un environnement corrosif peuvent causer de la corrosion de surface même si le brûleur est fait d'acier inoxydable 304 à paroi épaisse.

Entretien et protection des brûleurs infrarouges

Vos brûleurs infrarouges sont conçus pour offrir une longue durée de vie, mais vous devez faire attention à ne pas fissurer leurs surfaces céramiques, car des fractures pourraient causer un mauvais fonctionnement des brûleurs.

! **IMPORTANT !** Les dommages causés par le non-respect de ces instructions ne sont PAS couverts par la garantie de votre grill.

Étapes pour éviter d'endommager les surfaces céramiques

1. Ne jamais éteindre une flamme ou contrôler les flammes avec de l'eau.
2. Ne laissez pas de l'eau froide (pluie, gicleur, tuyau d'arrosage, etc.) entrer en contact avec des brûleurs en céramique chaude. Un changement immédiat de température provoquera la fissuration du carreau de céramique.
3. Un brûleur en céramique qui se mouille avant d'être utilisé créera de la vapeur lorsqu'il sera utilisé plus tard et produira une pression qui fissurera la céramique.
4. Un trempage répété de la céramique peut la faire gonfler et se dilater, ce qui produit une pression qui fera craquer et s'effriter la céramique.
5. Inspectez la céramique pour voir si elle peut être imbibée d'eau si vous constatez qu'elle est sur pied. de l'eau dans le grill. Retirez le brûleur si la céramique est humide. Tournez-la à l'envers pour évacuer l'excès d'eau. Faites sécher la céramique à l'intérieur à fond.
6. Ne laissez pas d'objets durs frapper le brûleur. Soyez prudent lorsque l'insertion ou le retrait des grilles de cuisson et l'utilisation d'accessoires.

Dégagement pour la ventilation de l'air chaud du grill

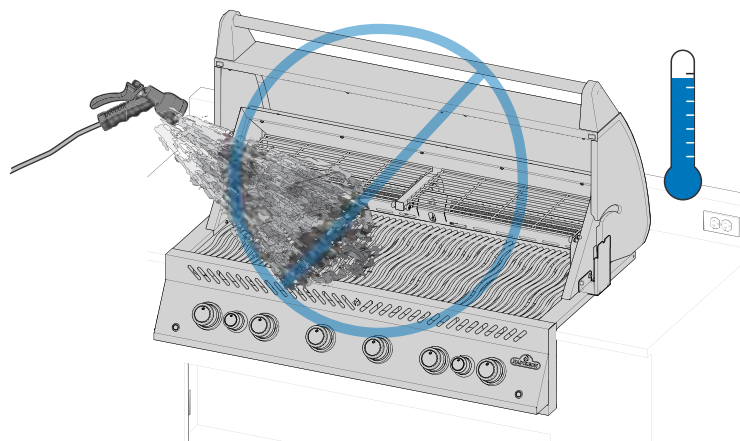
- L'air chaud doit avoir un moyen d'échapper au grill pour que les brûleurs fonctionnent correctement.
- Les brûleurs peuvent se priver d'oxygène si l'air chaud ne peut pas s'échapper, ce qui les mettra à clignoter. La céramique peut se fissurer si cela se produit à plusieurs reprises.

NOUS VOULONS AIDER!

Contactez le service client
Napoléon partager.
1-866-820-8686.

LA SÉCURITÉ D'ABORD!

Ne recouvrez jamais plus de 75 % de la surface de cuisson d'un brûleur principal ou latéral avec du métal solide (p. ex. des plaques de cuisson ou des poêles).



ATTENTION! L'entretien ne doit être effectué que lorsque le grill est froid afin d'éviter tout risque de brûlure.

ATTENTION! Vérifiez que le tuyau ne présente pas de signes d'abrasion, de fonte, de coupures ou de fissures excessives. Remplacé par votre revendeur Napoléon Grill ou un installateur de gaz qualifié.

ATTENTION! Un test d'étanchéité doit être effectué annuellement et chaque fois qu'un composant de la chaîne de gaz est remplacé, ou quand une odeur de gaz est présente.

Le Diagnostic des Anomalies

Problèmes d'éclairage

- Les brûleurs principaux, arrière ou latéraux ne s'allumeront pas avec l'allumeur, mais s'allumeront avec une allumette.
- Les brûleurs ne se croisent pas.

	Causes possibles	Solution
Brûleur principal	La sortie JETFIRE est sale ou bouchée	Nettoyez la sortie JETFIRE avec une brosse à poils doux.
	Supports croisés sales ou corrodés.	Nettoyez ou remplacez au besoin.
Arrière et latéral Brûleurs	Batterie déchargée ou mal installée	Remplacez-la par une batterie premium ultra-résistante
	Fil d'électrode desserré ou fils de borne de commutateur.	Vérifiez que le fil de l'électrode est fermement enfoncé sur la borne du arrière de l'allumeur. Vérifiez les fils conducteurs du module au les contacteurs d'allumage (le cas échéant) sont fermement enfoncés dans leurs logements respectifs. terminaux.
	Soulèvement des flammes sur le brûleur.	Fermer le volet d'air conformément aux instructions de ce manuel du propriétaire. IMPORTANT! Cela doit être fait par un installateur de gaz qualifié.

Bruits et éruptions

- Régulateur de ronflement.
- Flambées excessives et chaleur inégale.

Causes possibles	Solution
Un bourdonnement normal par temps chaud.	Ce n'est pas un défaut. C'est causé par les vibrations internes du régulateur et n'affecte pas les performances ou la sécurité du gril à gaz. Les régulateurs de bourdonnement NE SERONT PAS remplacés
Le robinet de la bouteille a été ouvert trop rapidement.	Ouvrir le robinet de la bouteille lentement
Plaques de saisir mal installées.	Assurez-vous que les plaques d'accrochage sont installées avec des trous vers l'avant, et les fentes sur le bas. Voir le manuel " D'instructions de montage ".
Chauffage inapproprié.	Préchauffez le gril avec tous les brûleurs principaux à pleine puissance pendant 10 à 15 minutes.
Une accumulation excessive de graisse et de cendres sur les plaques de brûlage et au goutte à goutte la poêle.	Nettoyez les plaques de cuisson et le bac d'égouttage régulièrement. Ne pas aligner pan avec Papier d'aluminium. Reportez-vous aux " Instructions de nettoyage ".

Le brûleur infrarouge clignote

- En cours de fonctionnement, le brûleur émet brusquement un bruit sourd, suivi d'un son continu du type torche et devient faible ou a une grande flamme au démarrage.

Causes possibles	Solution
Carreaux de céramique surchargés de graisse et d'accumulation de graisse. Les ports sont bouchés	Tournez le brûleur sur OFF et laissez-le refroidir pendant au moins 2 minutes. Reignite brûler à feu ÉLEVÉ pendant au moins 5 minutes ou jusqu'à ce que les carreaux de céramique brillent uniformément de rouge.
Le brûleur a surchauffé en raison d'une ventilation inadéquate. Aussi beaucoup de surface de gril couverte par une plaque chauffante ou une casserole.	Assurez-vous que pas plus de 75% de la surface du gril est recouverte d'objets ou des accessoires. Éteignez le brûleur et laissez-le refroidir au moins 2 minutes. Reignite.
Fuite du joint entourant le carreau de céramique ou une soudure défaillance dans le boîtier du brûleur	Laisser le brûleur refroidir et inspecter très attentivement les fissures. Contact votre revendeur agréé Napoléon pour commander un brûleur de remplacement assemblage si des fissures sont trouvées.

Flux du gaz

- Faible chaleur ou flamme basse lorsque la vanne est trop haute.
- Les brûleurs brûlent avec une flamme jaune, accompagnés d'une odeur de gaz.
- Les flammes se détachent du brûleur, accompagnées d'une odeur de gaz et d'éventuelles difficultés d'éclairage.
- La sortie du brûleur est sur HIGH, mais le réglage est BAS. Bruit sourd et flammes bleues flottant à la surface du brûleur.

Causes possibles	Solution
Propane - procédure d'éclairage inadéquate Détendeur de propane à faible débit.	Assurez-vous que la procédure d'allumage est suivie attentivement. Toutes les vannes à gaz doivent être en position OFF lorsque la valve du réservoir est ouverte. Tourner le réservoir lentement pour permettre à la pression d'égaliser. Voir Fonctionnement - Éclairage Instructions
Gaz naturel - conduite d'alimentation sous-dimensionnée.	Le tuyau doit être dimensionné conformément au code d'installation.
Fuite du joint entourant le carreau de céramique ou une soudure défectueuse dans le boîtier du brûleur.	Laisser le brûleur refroidir et inspecter très attentivement les fissures. Contacter votre revendeur agréé Napoléon pour commander un brûleur de remplacement assemblage si des fissures sont trouvées.
Gaz propane et gaz naturel - préchauffage inapproprié.	Préchauffez le gril avec les deux brûleurs principaux à puissance maximale pendant 10 à 15 minutes.
Possible toile d'araignée ou d'autres débris.	Nettoyez soigneusement le nid ou les toiles de l'orifice de votre brûleur en retirez-le et suivez les consignes d'entretien
Mauvais réglage de l'obturateur d'air.	Ouvrez ou fermez légèrement le volet d'air conformément aux instructions IMPORTANT! Cela doit être fait par un installateur de gaz qualifié.
Manque de gaz	Vérifiez le niveau de gaz dans la bouteille de propane.
Le tuyau d'alimentation est pincé.	Repositionnez le tuyau d'alimentation si nécessaire
Régulateur de propane à faible débit	Éteignez les brûleurs et fermez la vanne du réservoir, attendez 5 minutes avant de rouvrir complètement la vanne, attendez quelques secondes que la pression s'égalise avant de suivre les instructions d'allumage pour démarrer le gril. Assurez-vous que la procédure d'allumage est suivie attentivement chaque fois que vous cuisinez. Toutes les vannes de gaz doivent être fermées lorsque la vanne du réservoir est ouverte. Ouvrez toujours lentement le robinet du réservoir.

Peinture écaillée

- La peinture semble se décoller à l'intérieur du couvercle ou de la cagoule.

Causes possibles	Solution
Accumulation de graisse sur les surfaces intérieures.	Ce n'est pas un défaut. La finition sur le couvercle et la hotte est en porcelaine, et ne pèle pas. Le pelage est causé par la graisse durcie, qui sèche en éclats de peinture ressemblant à des éclats. Nettoyage régulier sera empêcher cela. Voir les " Instructions de nettoyage ".

ENREGISTREZ VOTRE GRIL!



Aller à [Napoleon.com](https://www.napoleon.com) ou votre guide d'assemblage pour les pièces de rechange.

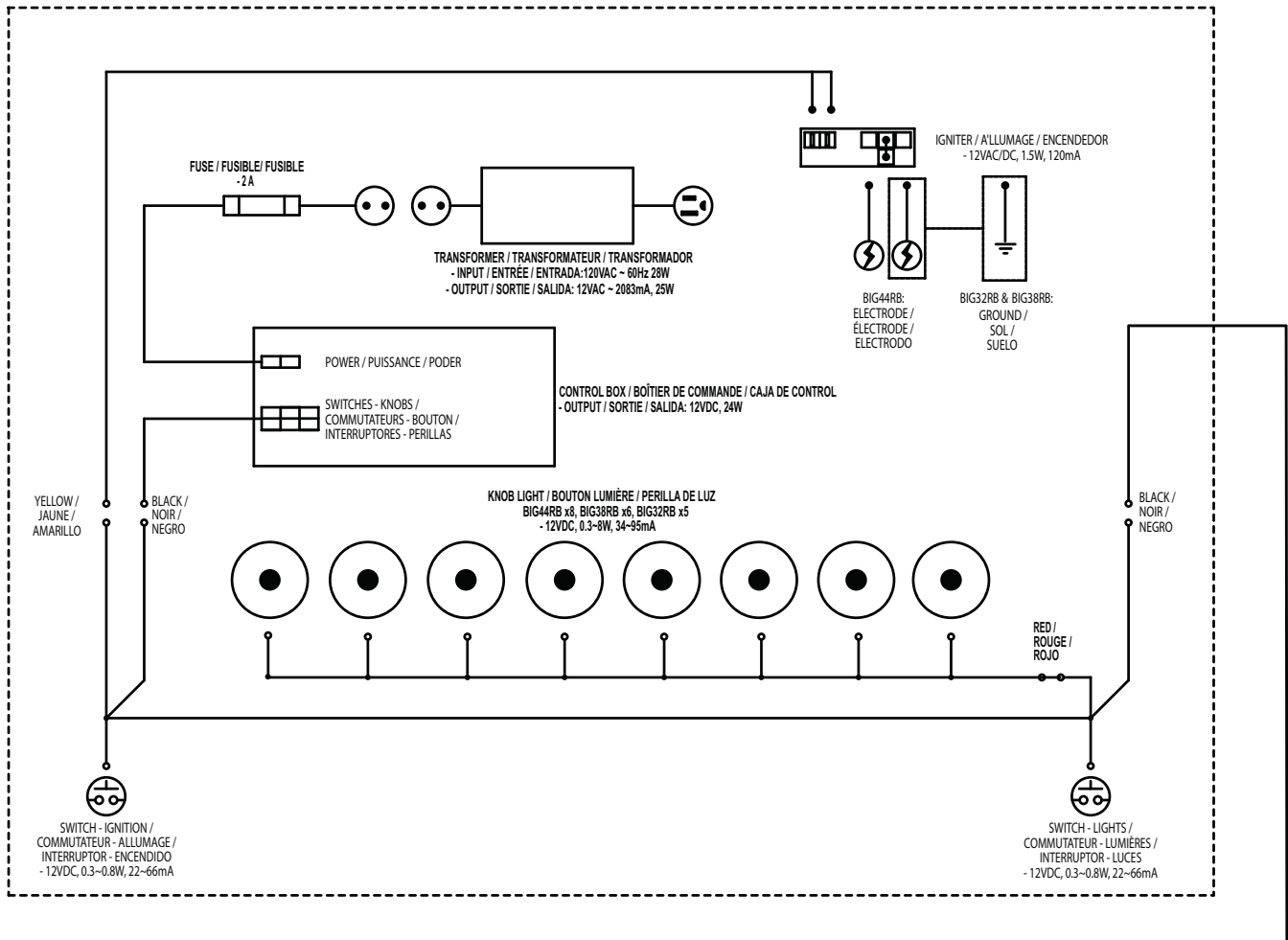
NOUS VOULONS AIDER!



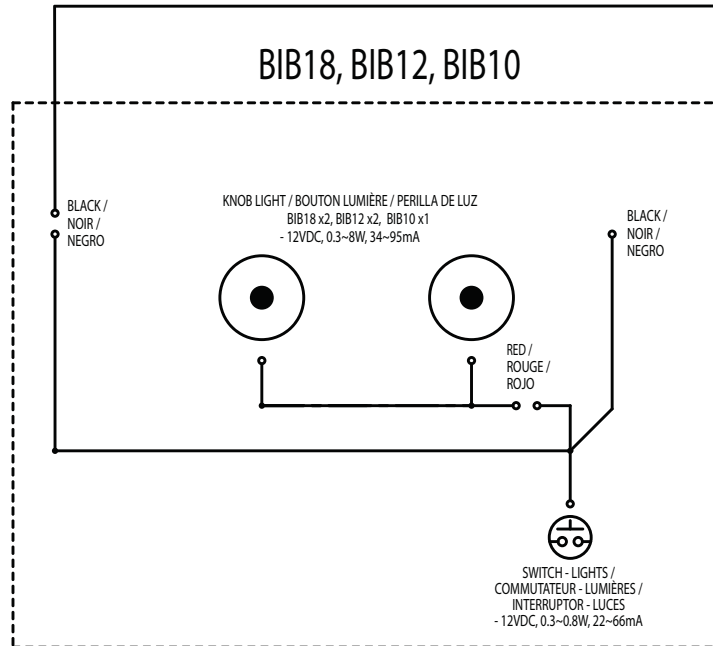
Napoléon est là pour assurer votre expérience de griller est mémorable. Contactez nous si vous avez besoin de plus Aidez-moi.

SCHEMA DE RACCORDEMENT ÉLECTRIQUE

BIG44RB, BIG38RB, BIG32RB



BIB18, BIB12, BIB10



GARANTIE À VIE LIMITÉE DE NAPOLÉON

POUR LES MODÈLES PRESTIGE®, PRESTIGE PRO^{MD} ET ENCASTRÉS

Les produits Napoléon sont conçus avec des composants et des matériaux de qualité supérieure, assemblés par des artisans qualifiés qui sont fiers de leur travail. Le brûleur et le montage de la soupape subissent un test de détection de fuites et d'allumage à une station de contrôle de la qualité. Ce gril a été soigneusement inspecté par un technicien qualifié avant d'être emballé et expédié pour garantir que vous, le client, recevez le produit de qualité dont vous vous attendez de Napoléon. Merci d'avoir choisi un produit Napoléon. Napoléon (Wolf Steel Itée, Barrie, ON, Canada) garantit que les composants de votre nouveau produit Napoléon seront exempts de défauts de matériau ou de fabrication à compter de la date de l'achat, pour une durée de 15 ans.



Hotte	À vie
Couvercle en acier inoxydable	À vie
Couvercle en porcelaine émaillée	À vie
Pièces en fonte d'aluminium	À vie
Grilles de cuisson en acier inoxydable	À vie
Brûleurs tubulaires en acier inoxydable	À vie
Plaques de brûleur en acier inoxydable	15 ans
Grilles de cuisson en fonte émaillée	15 ans
Brûleur arrière infrarouge en acier inoxydable	15 ans
Brûleurs de cuve/latéral infrarouges	15 ans
Toutes les autres pièces	15 ans

CONDITIONS ET LIMITATIONS :

La présente garantie limitée couvre une période de garantie telle que spécifiée dans le tableau ci-dessus pour tout produit acheté par l'entremise d'un détaillant autorisé Napoléon, et donne droit à l'acheteur d'origine (ou au destinataire du cadeau dans le cas où un nouveau produit est offert en cadeau) à la couverture spécifiée relativement à tout composant remplacé durant la période de garantie, que ce soit par Napoléon ou un détaillant autorisé Napoléon, pour le remplacement de tout composant qui présente une défaillance dans le cadre d'un usage privé normal à la suite d'un défaut de fabrication. Cette garantie ne couvre pas les accessoires ou les articles en prime.

Il est entendu que l'« usage privé normal » d'un produit signifie que le produit : a été installé (le cas échéant) par un technicien de service ou entrepreneur certifié, conformément aux instructions d'installation incluses avec le produit et à tous les codes locaux et nationaux du bâtiment et de prévention des incendies; a été adéquatement nettoyé et entretenu conformément aux instructions; et n'a pas été utilisé dans une application à usage collectif ou commercial. Dans des applications à usage collectif ou commercial (lorsqu'elles sont approuvées), la garantie est réduite à une période de deux (2) ans.

De la même manière, « défaillance » n'inclut pas : les dommages causés par une surchauffe, les extinctions causées par des conditions environnementales telles que des vents forts ou une ventilation inadéquate, les égratignures, les bosses, la corrosion, la détérioration des finis peints et plaqués, la décoloration due à la chaleur, aux nettoyants abrasifs ou chimiques ou à l'exposition à des rayons UV, l'écaillage des pièces en porcelaine émaillée ou les dommages causés par un mauvais usage, un accident, la grêle, des feux de graisse, un manque d'entretien et de nettoyage, un environnement inadéquat tel que le sel ou le chlore, des altérations, des abus, des négligences ou des pièces installées par d'autres fabricants. Si vous vivez en zone côtière, ou que votre produit est situé près d'une piscine ou d'un spa, l'entretien comprend le lavage et le rinçage réguliers des surfaces externes, comme indiqué dans le manuel d'utilisation du produit, afin de prévenir la corrosion de surface. Dans le cas d'une détérioration des composants causant le mauvais fonctionnement de l'appareil (perforation par la rouille ou la surchauffe) pendant la période couverte par la garantie, les pièces de rechange seront fournies par Napoléon. Les pièces remplacées en vertu de cette garantie, ne sont garanties que pour le reste de la période de garantie mentionnée dans le tableau ci-dessus.

Les composants de rechange relèvent de la seule responsabilité de Napoléon telle que définie par la présente garantie; en aucun cas, Napoléon ne saurait être tenu responsable de l'installation, de la main-d'œuvre ou de tous autres coûts ou dépenses relatifs à la réinstallation d'une pièce garantie, de tous dommages accessoires, consécutifs ou indirects ni de tous frais de manutention et de transport, ou taxes d'exportation.

GARANTIE À VIE LIMITÉE DE NAPOLÉON

POUR LES MODÈLES PRESTIGE®, PRESTIGE PRO^{MD} ET ENCASTRÉS

L'utilisation ou l'installation de pièces autres que des pièces d'origine Napoléon sur votre produit Napoléon annulera cette garantie, et tout dommage qui en résulterait n'est pas couvert par cette garantie. Toute conversion de gril à gaz non autorisée par Napoléon et effectuée par un technicien de service autorisé Napoléon annulera cette garantie.

La présente garantie limitée vient s'ajouter à tous les droits qui vous sont accordés par la législation locale. Ces droits et d'autres droits légaux ne sont pas affectés par les dispositions relatives à cette garantie. Par conséquent, la présente garantie limitée n'impose pas à Napoléon l'obligation de garder des pièces en stock. En fonction de la disponibilité des pièces, Napoléon peut, à sa discrétion, se libérer de toute obligation en fournissant à un client un crédit au prorata applicable à un nouveau produit. Napoléon peut de temps à autre améliorer la conception de ses produits. Aucune disposition de la présente garantie ne doit être interprétée comme une obligation pour Napoléon d'incorporer ces améliorations de conception dans des produits fabriqués antérieurement, et ces améliorations ne doivent pas être interprétées comme un aveu que les conceptions précédentes étaient défectueuses.

En enregistrant votre produit Napoléon, votre couverture de garantie est confirmée. Cela permet d'accélérer les réclamations de garantie et de fournir un lien entre vous et Napoléon dans l'éventualité où nous devons vous contacter. Lors d'une réclamation au titre de la garantie, les représentants de Napoléon peuvent vous demander de fournir la facture ou une copie ainsi qu'un numéro de série et un numéro de modèle. Napoléon se réserve le droit de demander à son représentant d'inspecter tous produits ou pièces avant d'honorer toute réclamation. Pour pouvoir bénéficier de la couverture de garantie, vous devez contacter le service à la clientèle de Napoléon ou un détaillant autorisé Napoléon.



SERIE BUILT-IN

Manual del Usuario

BI 32, BI12 & BI10, BIG32, BIG38 & BIG44,
BIB10, BIB12 & BIB18.

Las parrillas que se ilustran en este manual pueden diferir del modelo adquirido.



¡En **NAPOLEON** valoramos tu opinión!

Visita Napoleon.com para escribir tus comentarios.



Y registrar tu parrilla.

Coloque Aquí el Número de Serie



¡FELICIDADES POR ADQUIRIR TU PARRILLA NAPOLEON!

Acabas de elevar tu potencial como Chef Parrillero.

EN NAPOLEON QUEREMOS QUE TUS EXPERIENCIAS FRENTE AL ASADOR SEAN MEMORABLES Y SEGURAS.

Por favor, lee y sigue este Manual antes de usar tu parrilla para evitar potenciales daños a tu propiedad, heridas a tu persona o la muerte.

Retire completamente todo empaque, material promocional y etiquetas de la parrilla antes de encenderla.

UTILIZA TU PARRILLA AL AIRE LIBRE Y EN ESPACIOS BIEN VENTILADOS.

NO OPERE EN UN EDIFICIO, GARAJE O CUALQUIER OTRA ÁREA CERRADA.

PELIGRO!

SI PERCIBE EL OLOR A GAS:

- Detenga el flujo del gas a la parrilla.
- Extinga cualquier llama abierta
- Abra la tapa de la parrilla
- Si el olor continua, retírese de la parrilla e inmediatamente llame a su proveedor de gas o al departamento de bomberos.

ADVERTENCIA!

No encienda la parrilla sin antes haber leído las Instrucciones de Encendido en este manual.

No guarde o use gasolina u otros productos inflamables en las cercanías de esta o cualquier otra parrilla.

Un cilindro de gas propano que no esté debidamente conectado al asador no debe guardarse en las cercanías de esta o cualquier otra parrilla.

Si no sigue las instrucciones exactamente como las describe este manual, corre el riesgo de provocar un incendio o explosión que puede causar daños a la propiedad, heridas a su persona o la muerte.

Este atento a los peligros del contacto con superficies calientes. Los niños que se encuentren en las cercanías de la parrilla deben mantenerse bajo la supervisión de un adulto.

AVISO AL INSTALADOR: Deje estas instrucciones con el dueño de la parrilla para referencia futura.

AVISO AL CONSUMIDOR: Guarde estas instrucciones para referencia futura.

Bienvenido a Napoleon!

LA SEGURIDAD ES PRIMERO



¡ADVERTENCIA! Información General

Esta parrilla debe ser instalada en conformidad con los códigos locales en vigor o, en ausencia de códigos locales, en conformidad con las siguientes normas según corresponda: "Natural Gas and Propane Installation Code CSA B149.1" en Canadá, o el "National Fuel Gas Code ANSI Z223.1/NFPA 54" en los Estados Unidos. Si se utiliza un motor de asador, debe estar conectado a tierra de acuerdo con los códigos locales. Si se utiliza una fuente eléctrica externa, el aparato también debe conectarse a tierra de acuerdo con los códigos locales. En ausencia de códigos locales, siga el Código Eléctrico Canadiense actual CSA C22.1 en Canadá, o el Código Eléctrico Nacional ANSI / NFPA 70 en los Estados Unidos.



¡ADVERTENCIA! Instalación y Ensamblado

Esta parrilla se debe ensamblar de acuerdo a las instrucciones descritas en su Guía de Ensamblaje incluidas con su parrilla. Si la parrilla fue armada en la tienda, revise las instrucciones para asegurar que se ha hecho adecuadamente. Realice las pruebas de fuga requeridas antes de encender la parrilla. Deje enfriar antes de poner o quitar piezas. Esta parrilla no está diseñada para instalarse en embarcaciones. O instalado en o sobre vehículos recreativos. No modifique esta parrilla bajo ninguna circunstancia. No utilice un tanque de propano que no esté equipado con un tipo de conexión QCC1. Sólo utilice el regulador de presión suministrado con esta parrilla, o partes de repuesto específicamente recomendadas por Napoleon.



¡ADVERTENCIA! Precauciones Eléctricas

Mantenga todos los cables eléctricos y las mangueras de gas alejadas de toda superficie caliente. Para protegerse contra descargas eléctricas, no sumerja el cable o el enchufe en agua u otros líquidos.

Primero conecte todos los componentes eléctricos a la unidad, luego conecte a la toma de corriente. Sólo utilice circuitos protegidos GFI (Ground Fault Interrupter) con este aparato.

Nunca retire la punta de puesta a tierra de la clavija. Nunca use una clavija o adaptador de 2 puntas.

Utilice solo extensiones de 3 puntas apropiado para la potencia de este equipo y aprobado para uso en exteriores con marcas W-A.



¡ADVERTENCIA! Operación

Lea este Manual del usuario antes de operar la parrilla. Realice las pruebas de fuga antes de cada uso, anualmente y cuando cualquier componente de gas sea reemplazado. No utilice esta parrilla para fines distintos a los previstos. No deje que el cable cuelgue del borde de una mesa. No opere esta parrilla con un cable o enchufe dañado o después de que la parrilla no funcione correctamente o se haya dañado de alguna manera. Póngase en contacto con Napoleon para su reparación. Siga las instrucciones de encendido cuidadosamente.



¡ADVERTENCIA! Almacenamiento y Desuso

Cierre el flujo de gas del tanque de propano o cierra la válvula del gas natural.

Desconecte la manguera de gas. Desenchufe del tomacorriente cuando no esté en uso y antes de limpiar. Retire el tanque de gas propano y almacene la parrilla al aire libre en un espacio ventilado y alejado de los niños. No guarde tanques de gas en edificios, cocheras, cobertizos, o cualquier otro espacio cerrado.

Retire la conexión de gas natural del suministro cuando almacene la parrilla en interiores.



¡ADVERTENCIA! Propuesta 65 del Estado de California

El uso de este producto puede exponerlo a sustancias químicas como el hollín y monóxido de carbono que, de acuerdo al Estado de California, pueden ser causantes de cáncer, defectos de nacimiento, y otras lesiones reproductivas. Para más información visite www.P65Warnings.ca.gov

CONTENIDOS

Bienvenido a Napoleon!	55
La Seguridad es Primero	
Características Completas	56
Para Comenzar	57
Prácticas de Operación Segura	
Dimensiones para empotrar	
Conexiones de Gas	
Pruebas de Fugas	
Operación	62
Encender la Parrilla	
Asando en la Parrilla	
Cómo Rostizar usando el Quemador Posterior	
Lista para Lograr las Mejores Parrilladas	
Cómo sazonar sus rejillas de hierro	
Guía de Cocción en Infrarrojo	68
Instrucciones de Limpieza	69
Instrucciones de Mantenimiento	72
Combustión en el ajuste de aire	
Acero Inoxidable en Condiciones Adversas	
Solución de problemas	74
Diagrama del Sistema Eléctrico	
Garantía	77



TELÉFONO:
1-866-820-8686



E-MAIL
grills@napoleon.com



ONLINE
www.napoleon.com

Características Completas

Medidor de temperatura **ACCU-PROBE™** para lecturas perfectas.

Quemador Infrarrojo dual para su kit de rostizado, perfecto para sellados a altas temperaturas y rostizado lento y uniforme.

Construcción en acero inoxidable para una instalación sin fallas y calidad duradera.

Quemador Lateral doble estilo Range® ofrece versátiles opciones a sus platillos como salsas, sopas, y otros complementos

Ignición **JETFIRE™** instantánea: inicio rápido y fácil

Quemadores de calibre pesado hechos de acero inoxidable para una calidad duradera

Tenedores para rostizar plegables con espacio designado para guardarlos en la bandeja para grasa

Rejillas de calentamiento cromadas para más espacio para cocinar

Rejillas icónicas **WAVE™** de acero inoxidable con posiciones duales para esas líneas distintivas en cada pieza de carne

Placas duales de acero inoxidable para un calor consistente que vaporiza los jugos de la carne dejándola aún más sabrosa.

Sistema de cocción con **SIZZLE ZONE™** dual infrarroja para asar filetes a la perfección

Soporte de montura para el kit de rostizado a ambos lados de la parrilla según sea su conveniencia.

Perillas con iluminación para entretenimiento nocturno

Bandeja para el goteo de grasa de fácil acceso deslizable gracias a los rodillos de acero inoxidable



Las parrillas ilustradas en este Manual del Usuario pueden diferir del modelo adquirido. Modelo Destacado: BIG44

Para Comenzar



PELIGRO / ADVERTENCIA! Avisa de un peligro que puede resultar en un incendio, explosión, muerte o serias heridas físicas



Información Importante



ADVERTENCIA / PRECAUCIÓN! Avisa de un peligro que puede ocasionar heridas físicas menores o daños a la propiedad



No fume mientras revisa la parrilla por fugas. Una chispa o fuente de fuego puede causar una situación peligrosa



Siempre utilice guantes protectores



Nunca use una flama abierta para detectar fugas. El fuego abierto o una chispa puede ocasionar un incendio o explosión



Siempre utilice lentes de seguridad



PRECAUCIÓN! Superficie Caliente



DETÉNGASE! Cierre inmediatamente el suministro del gas y desconecte la parrilla

PRÁCTICAS DE OPERACIÓN SEGURA

- No posicione la manguera por debajo de la bandeja de goteo. Mantenga una distancia apropiada entre la manguera y la parte baja de la unidad.
- Asegúrese que las placas estén colocadas correctamente sobre los quemadores de acuerdo con las instrucciones de instalación
- Los quemadores deben estar apagados cuando abra la válvula del suministro de gas en el tanque de propano.
- No encienda los quemadores con la tapa cerrada.
- No encienda los quemadores posteriores cuando los principales se encuentran operando.
- No cierre la tapa de del quemador lateral cuando esté caliente o encendido.
- No ponga a freír alimentos en el quemador lateral.
- No mueva las rejillas de la parrilla cuando está encendida o caliente.
- No mueva la unidad durante su uso.
- Cierre el suministro de gas del cilindro después de su uso.
- No modifique el aparato.
- Realice mantenimiento a la parrilla una vez que ésta se haya enfriado.
- No almacene encendedores, fósforos, o cualquier otro combustible en la bandeja de condimentos.
- Mantenga todos los cables eléctricos y la manguera de suministro de gas alejados de superficies calientes.
- Limpie regularmente las bandejas y charolas para grasa y los placas para sellar para evitar fuegos por acumulación de grasa.
- El tubo Venturi del quemador infrarrojo y quemador principal se puede obstruir por telarañas; asegúrese de revisarlo y limpiarlo periódicamente.
- No coloque su parrilla donde pueda estar expuesta a fuertes corrientes de aire, especialmente si el viento puede impactar la parte trasera de la unidad de forma directa.
- No lave con agua a presión ninguna parte de esta parrilla.
- No utilice la unidad bajo ninguna construcción combustible.
- Nunca cubra más del 75% de la superficie de la parrilla con metal sólido.
- Mantenga cualquier material combustible a una distancia de 17" (431mm) a la parte posterior de su parrilla y 9" (228.6mm) a los lados.
- BIB18PB requiere un mínimo de 17 "(431 mm) a la parte posterior y 20" (508 mm) hacia los lados.
- Instale con una distancia mínima de 15" (381mm) entre unidades adicionales como parrillas o quemadores laterales o drop-ins.

¡PRECAUCIÓN! La instalación y conexión de la manguera de gas natural debe ser realizado por un instalador certificado.

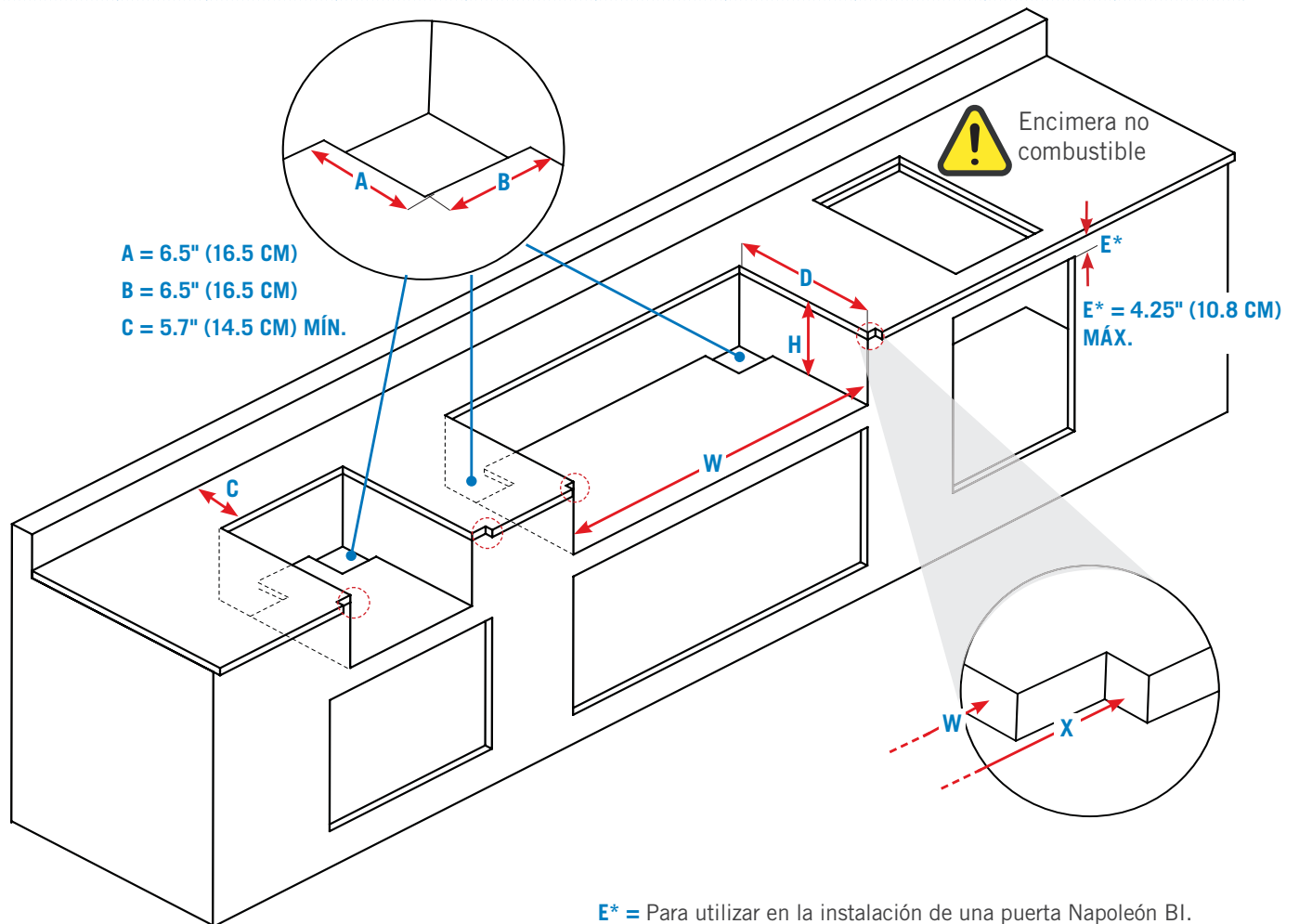
¡PRECAUCIÓN! Asegúrese que la manguera del gas no haga contacto con ninguna superficie que pueda llegar a altas temperaturas durante el uso de la parrilla.

¡ADVERTENCIA! Las partes al alcance de la mano pueden estar muy calientes. Mantenga a los niños alejados.



DIMENSIONES PARA EMPOTRAR

MODELO		DIMENSIONES DE LAS ABERTURAS (IN / CM)				DIMENSIONES DE LAS ABERTURAS (IN / CM) CON REVESTIMIENTO AISLANTE (ZCL)			
		W	X	D	H	W	X	D	H
BIG32 / BI32	Min.	30 / 76.2	33.50 / 85.1	19.4 / 49.3	10.25 / 26.0	34 / 86.4	35.38 / 89.9	21.38 / 54.3	10.38 / 26.4
	Max.	32 / 81.3	-	19.75 / 50.2	-	-	-	-	-
BIG38	Min.	36 / 91.4	39.50 / 100.3	19.4 / 49.3	10.25 / 26.0	40 / 101.6	41.38 / 105.1	21.38 / 54.3	10.38 / 26.4
	Max.	38 / 96.5	-	19.75 / 50.2	-	-	-	-	-
BIG44	Min.	42 / 106.7	45.50 / 115.6	19.4 / 49.3	10.25 / 26.0	46 / 116.8	47.38 / 120.3	21.38 / 54.3	10.38 / 26.4
	Max.	44 / 111.8	-	19.75 / 50.2	-	-	-	-	-
BIB18	Min.	18 / 45.7	21.50 / 54.6	19.4 / 49.3	10.25 / 26.0	22 / 55.9	23.38 / 59.4	21.38 / 54.3	10.38 / 26.4
	Max.	20 / 50.8	-	19.75 / 50.2	-	-	-	-	-
BIB12 / BI12	Min.	12 / 30.5	15.50 / 39.4	19.4 / 49.3	10.25 / 26.0	16 / 40.6	17.38 / 44.1	21.38 / 54.3	10.38 / 26.4
	Max.	14 / 35.6	-	19.75 / 50.2	-	-	-	-	-
BIB10 / BI10	Min.	10 / 25.4	-	18.75 / 47.6	6 / 15.2	-	-	-	-
	Max.	12 / 30.5	-	20.75 / 52.7	-	-	-	-	-



¡ADVERTENCIA! El marco del gabinete, el gabinete y la cubierta DEBEN estar hechos de material no combustible cuando las unidades no se instalan usando el revestimiento o forro aislante (ZCL) correspondiente a su unidad. Consulte la lista de piezas en su Guía de Ensamblaje para obtener información específica.

PRECAUCIÓN! Si el gabinete alberga una bombona de GLP, la construcción del gabinete debe cumplir con las instrucciones para gabinetes con bombonas incorporadas. Consulte "**Conexiones de Gas**".

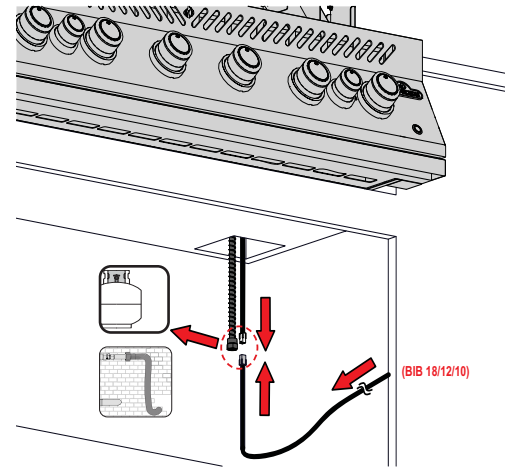


CONEXIONES DE GAS

Esta parrilla debe operar bajo una presión de gas de 11 pulgadas de columna de agua (0.39 psi) para propano y 7 pulgadas de columna de agua (0.25 psi) para gas natural. Si el suplemento de gas excede estos requerimientos, se debe instalar un regulador agua arriba de los componentes de la parrilla. Si el suplemento de gas es más bajo que lo requerido la unidad no alcanzará su temperatura máxima.

A una línea de suministro en casa habitación

- La unión a la línea/tubería de gas es responsabilidad del instalador.
- Las tuberías de gas deben ser de un tamaño suficiente para proveer los BTU/hora especificados en la etiqueta de clasificación de acuerdo con la longitud de las tuberías.
- Si va a instalar un quemador lateral, debe ramificar una línea de gas separada de la unidad principal a través de una abertura específica para dicha unidad.
- Se debe instalar una válvula de cierre manual agua arriba de la unidad. Se incluye un conector de metal flexible para simplificar la instalación. Un extremo del conector va a la válvula de cierre manual, mientras el lado opuesto es a la tubería de gas. Apriete usando dos llaves inglesas, no sellador.
- Asegúrese que el conector flexible no pasa a través de paredes, pisos, techos o particiones y que está protegido de posibles daños.
- Realice una prueba de fugas antes de operar la parrilla.



¡ADVERTENCIA! No use una manguera para conectar la unidad a menos que sea para conectar el regulador del tanque a la línea de gas fija (tubería). Debe conectarse con tubería rígida de cobre o un conector de metal flexible aprobado de acuerdo con la certificación ANSI Z21.24/ CSA 6.10 o ANSI Z21.75/CSA 6.27.



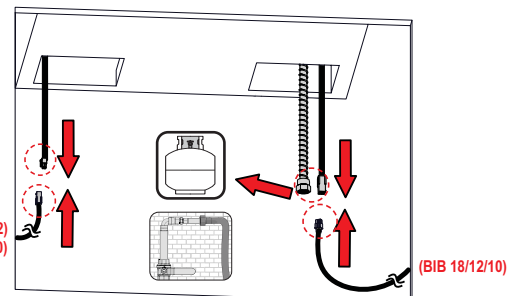
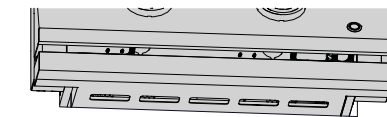
A un tanque de propano portátil

Únicamente use tanques de propano manufacturados de acuerdo a las "Specifications for LP gas Cylinders of the U.S. Department of Transportation (D.O.T.)" o al "Standard for Cylinders, Spheres and Tubes for Transportation of Dangerous Goods and Commission (CAN/CSA-B339) según corresponda.

El dispositivo de conexión del tanque debe ser compatible con esta parrilla:

Un tanque de propano portátil debe tener:

- Una válvula de cierre y un dispositivo de alivio de seguridad
 - Un dispositivo de extracción de vapor
 - Un collar para proteger la válvula del tanque
 - Un dispositivo de protección contra sobrellenado.
1. Revise que el tanque no presente abolladuras o corrosión. Asegúrese que sea inspeccionado por el proveedor.
 2. Asegúrese que la manguera no tenga desperfectos.
 3. No pase la manguera del gas en proximidad con la bandeja acumuladora de grasa.
 4. Retire la tapa o tapón de la válvula de gas del tanque.
 5. Inserte la boquilla del regulador QCC1 en la válvula del combustible. Apriete a mano hacia la derecha sin utilizar herramientas.
 6. Asegúrese que la manguera no entra en contacto con ninguna superficie caliente.
 7. Realice una prueba de fugas antes de operar la parrilla.



¡ADVERTENCIA! No guarde tanques de propano de repuesto en las inmediaciones de esta parrilla.

¡ADVERTENCIA! Si la manguera presenta abrasiones excesivas, derretimiento, cortes o fisuras debe ser reemplazada utilizando piezas recomendadas por distribuidores autorizados de Napoleon.

¡ADVERTENCIA! Nunca utilice un tanque de propano que esté lleno a más del 80% de capacidad.



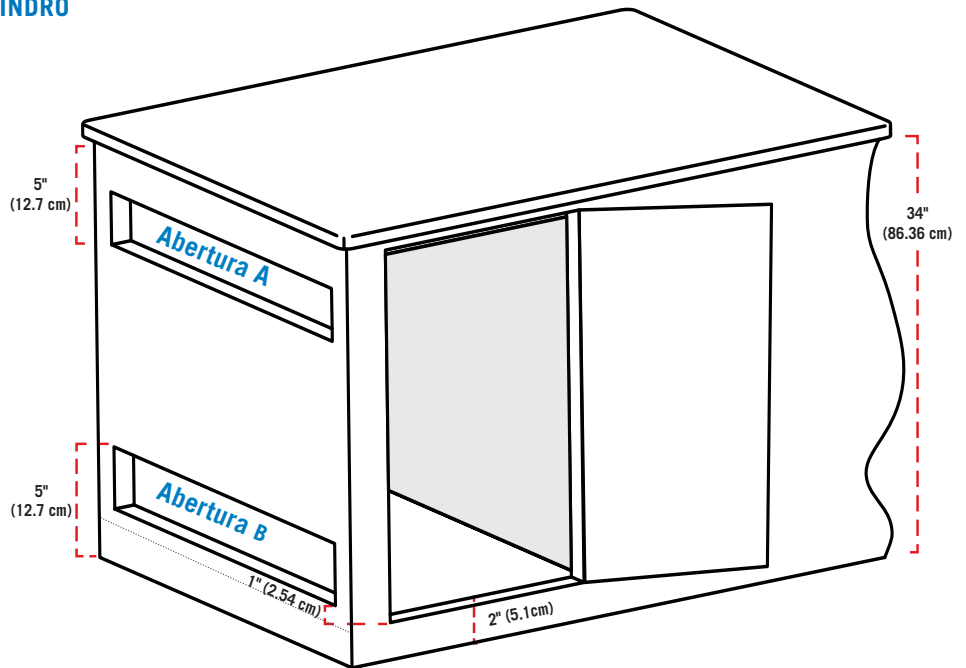
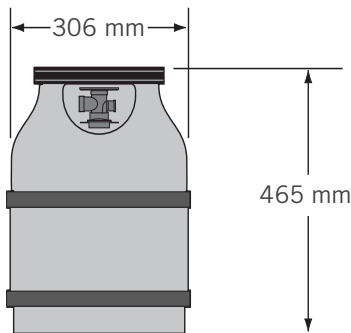
Para comenzar

Si coloca el cilindro en un espacio dentro del gabinete.

- El diseño del gabinete debe permitir que el tanque de gas sea conectado, desconectado y las conexiones sean inspeccionadas y probadas fuera de la abertura. Las conexiones que podrían verse afectadas al instalar el cilindro en el gabinete pueden probarse en el interior.
- El tanque debe estar aislado de la abertura donde la parrilla será montada de manera que quede protegido de radiación, llamas, goteos calientes y otros materiales externos o peligrosos.
- Es aceptable instalar una puerta para tener acceso al tanque, siempre y cuando no pueda ser cerrada con llave y se abra sin la necesidad de usar herramientas.
- Debe haber una distancia mínima de 2 pulgadas (5.1 cm) entre el piso y la superficie inferior de la abertura para el tanque.
- Asegúrese que haya al menos dos aberturas de ventilación sin obstrucciones en los lados expuestos del gabinete. Una a 5 pulgadas (12.7 cm) de la parte superior del gabinete y otra a 1 pulgada (2.54 cm) de la superficie inferior de la abertura para el tanque.
- La abertura superior debe tener un área libre total de más de 20 in² (130 cm²) para un cilindro de 20 lb (9,1 kg) y 30 in² (195 cm²) para un cilindro de 30 lb (13,6 kg)
- La abertura inferior debe tener un área libre total de más de 10 in² (65 cm²) para un cilindro de 20 lb (9,1 kg) y 15 in² (100 cm²) para un cilindro de 30 lb (13,6 kg).
- El borde superior no debe estar a más de 5 pulgadas (127 mm) sobre el nivel del piso.
- Cada abertura debe ser lo suficientemente grande como para permitir la entrada de una varilla de 1/8 in (3.2 mm).
- La apertura debe tener un área libre dependiendo del tamaño del cilindro:

Tamaño del tanque	Abertura A	Abertura B
20 lb (9.1 kg)	20 inches ² (130 cm ²)	10 inches (65 cm ²)
30 lb (13.6 kg)	30 inches ² (195 cm ²)	15 inches ² (100 cm ²)

DIMENSIONES MÁXIMAS DEL CILINDRO



¡ADVERTENCIA! Desconecte por completo la parrilla y la válvula de cierre individual del sistema de suministro de gas cuando una prueba de presión resulta estar por encima de 0.5 psi (3.5 kPa).

¡ADVERTENCIA! Cierre la válvula individual cuando una prueba de presión resulta ser igual o menor a 0.5 psi (3.5 kPa).

¡ADVERTENCIA! Siga todas las especificaciones e instrucciones en este manual para prevenir un incendio, explosión, daños a la propiedad, heridas o la muerte.



PRUEBAS DE FUGAS

¿Cuándo y Por qué realizar prueba de fugas?

Una prueba de fugas confirma que no haya un escape de gas después de haber conectado la manguera al suministro.

Cada vez que reinstale el tanque realice una prueba de la unión entre el regulador, la manguera, y la boquilla del tanque de gas.

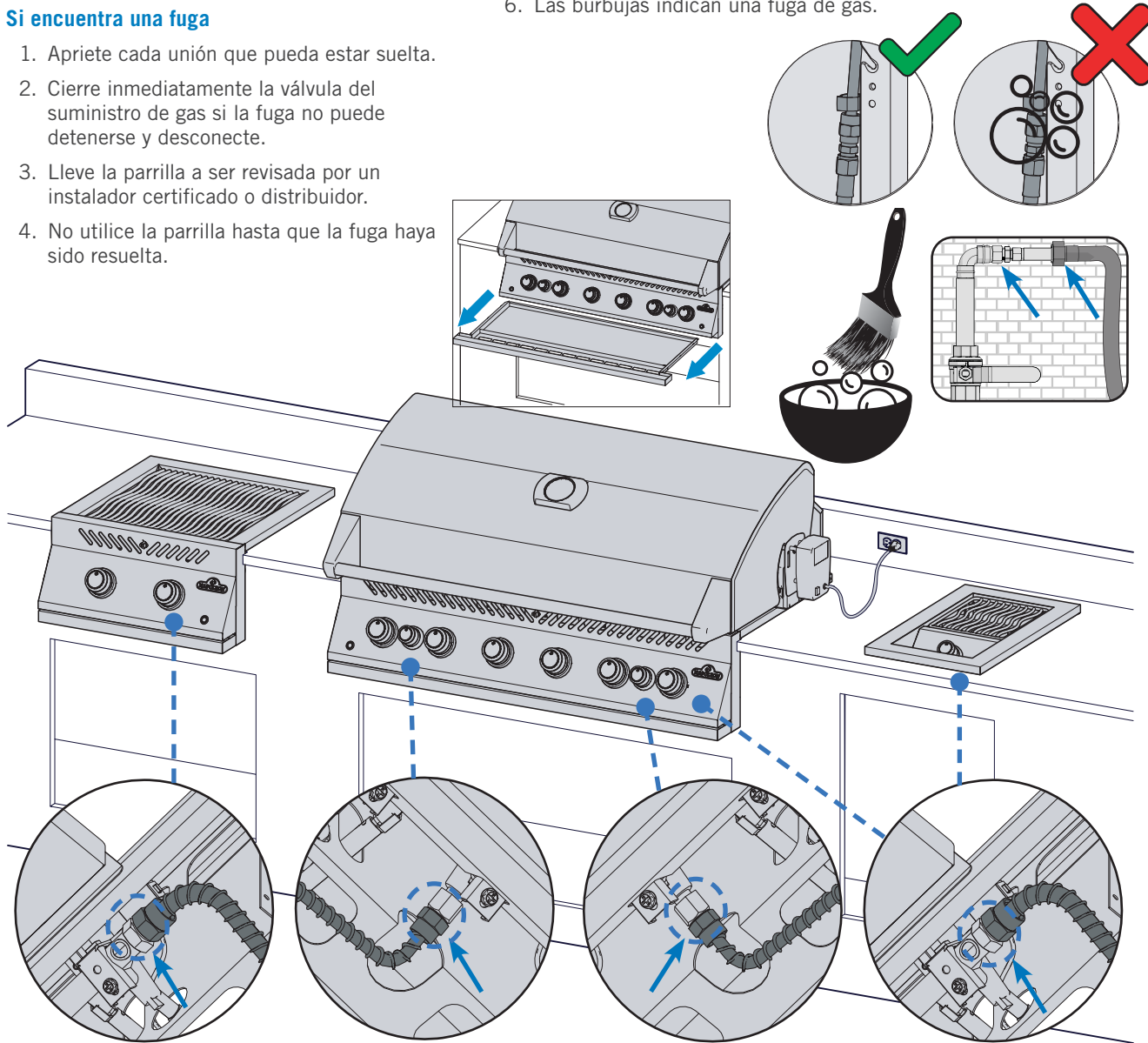
Realice esta prueba de forma anual, antes de cada uso y cuando un componente sea reemplazado.

Si encuentra una fuga

1. Apriete cada unión que pueda estar suelta.
2. Cierre inmediatamente la válvula del suministro de gas si la fuga no puede detenerse y desconecte.
3. Lleve la parrilla a ser revisada por un instalador certificado o distribuidor.
4. No utilice la parrilla hasta que la fuga haya sido resuelta.

Pasos de la prueba

1. No fume mientras realiza esta prueba.
2. Retire toda fuente de ignición.
3. Coloque las perillas de los quemadores en la posición de Apagado.
4. Enciende la válvula del suministro del gas.
5. Utilizando una brocha coloque una solución mitad agua, mitad jabón líquido y todas las uniones y conexiones a lo largo de la manguera, regulador, tubo múltiple y válvulas.
6. Las burbujas indican una fuga de gas.



Para comenzar

¡ADVERTENCIA! Nunca use una flama abierta para detectar fugas. El fuego abierto o una chispa puede ocasionar un incendio o explosión.

¡ADVERTENCIA! Únicamente utilice el regulador de presión y manguera incluidos con esta parrilla.



Operación

ENCENDER LA PARRILLA

¿Está a punto de estrenar su parrilla? Realice un quemado inicial

Retire la parrilla calentadora y encienda quemadores principales por 30 minutos en llama alta. Es normal que la parrilla emita un olor la primera vez que se enciende, sin embargo esto no vuelve a suceder. Este olor es causado porque las pinturas internas y lubricantes usados en el proceso de manufactura se queman.

Quemador Principal

1. Tapa de parrilla abierta
2. Empuje la perilla del quemador principal y gire lentamente en dirección contraria a las manecillas del reloj hasta quedar en la posición de llama alta hasta que el piloto se encienda. Continúe presionando la perilla hasta el quemador prenda fuego y luego suelte.
3. Si el piloto no enciende, regrese la perilla a la posición de apagado al girar en sentido de las manecillas del reloj y repita el paso 2.
4. Si el piloto y el quemador no encienden en 5 segundos, regrese la perilla a la posición de apagado al girar en sentido de las manecillas del reloj. Espere 5 minutos o hasta que el gas se haya disipado. Repita los pasos 2 y 3. Si aún no funciona, encienda con un fósforo. (Fig. 1)

¡ADVERTENCIA! No use el quemador posterior cuando el quemador principal está encendido.

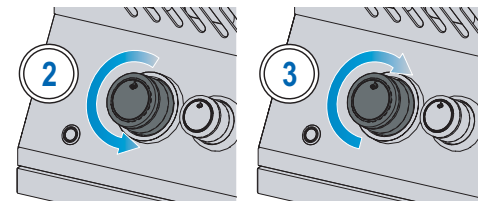
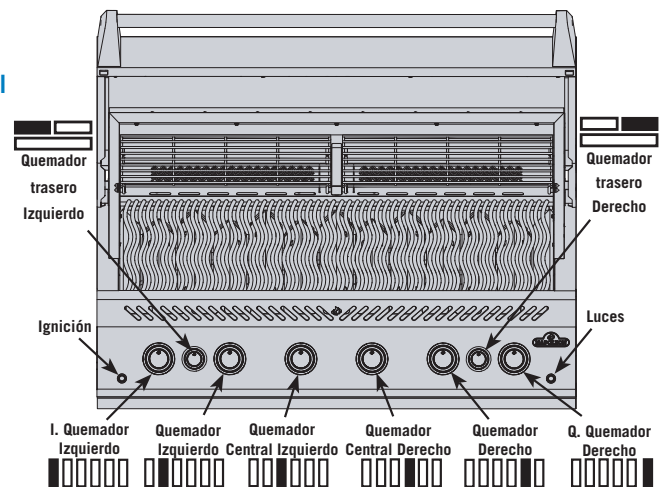


Fig. 1

Quemador posterior (si está equipado)

1. Abra la cubierta de la parrilla.
2. Retire la rejilla de calentamiento.
3. Presione y lentamente gire la perilla del quemador posterior en dirección contraria a las manecillas del reloj hasta llegar a la posición de llama alta.
4. Mantenga presionado el botón de ignición hasta que el quemador se haya encendido.
5. Si el quemador no enciende, regrese la perilla a la posición de apagado, espere 5 minutos y repita el paso 3 y 4. Si aún no funciona, encienda con un fósforo. (Fig. 1)

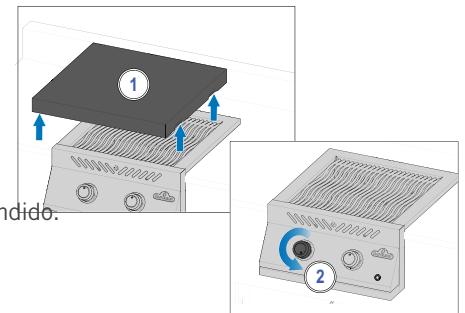


Fig. 2

Quemador lateral (si está equipado)

1. Abra la cubierta de la parrilla.
2. Presione y lentamente gire la perilla del quemador lateral en dirección contraria a las manecillas del reloj hasta llegar a la posición de llama alta.
3. Mantenga presionado el botón de ignición hasta que el quemador se haya encendido.
4. Si el quemador no enciende, regrese la perilla a la posición de apagado, espere 5 minutos y repita el paso 2 y 3. (Fig. 2)

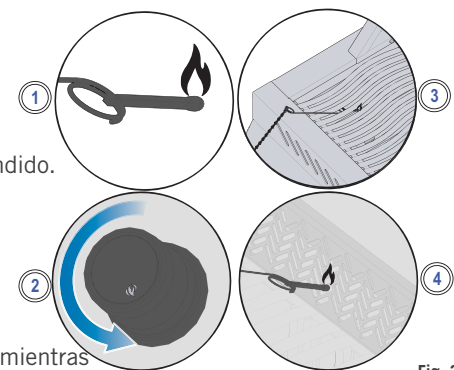


Fig. 3

Encendido con fósforo

1. Coloque el fósforo en la varilla incluida.
2. Inserte el fósforo encendido entre las rejillas y las placas sobre los quemadores mientras gira la perilla correspondiente a la posición de llama alta. (Fig. 3)



¡PRECAUCIÓN! Asegure que la tapa de la parrilla está abierta al encenderla.

¡ADVERTENCIA! Asegure que las perillas están en la posición de apagado antes de abrir lentamente la válvula del gas.

¡ADVERTENCIA! No almacene encendedores. Fósforos o algún otro combustible en la bandeja de condimentos.

¡ADVERTENCIA! No use el quemador posterior cuando el quemador principal está encendido.



ASANDO EN LA PARRILLA

Uso del quemador principal

- Precaliente la parrilla antes de colocar los alimentos. Para esto opere el quemador principal con la llama alta y la tapa cerrada por aproximadamente 10 minutos.
- La comida que se cocina por periodos cortos de tiempo como lo es el pescado y los vegetales pueden asarse con la tapa abierta.
- Asar con la tapa cerrada es la manera de asegurar altas y consistentes temperaturas para lograr un asado parejo al mismo tiempo que reduce el tiempo de cocción.
- Las rejillas deben humedecerse con aceite antes de precalentar la parrilla. Esto evita que la carne se adhiera a la parrilla, especialmente cuando se asa carne magra como pechugas de pollo o puerco.
- Los cortes que toman más de 30 minutos como los rostizados se pueden cocinar indirectamente con el quemador opuesto encendido. Vea Asado Indirecto en seguida.
- Recorte el exceso de grasa de la carne para evitar llamaradas, o reduzca la temperatura de la parrilla.
- En caso de llamaradas, retírese del fuego y baje la llama para tratar de reducir la temperatura. Deje la tapa abierta.

SEA CUIDADOSO!

La tapa y el cuerpo de la parrilla puede calentarse en extremo cuando está en uso.

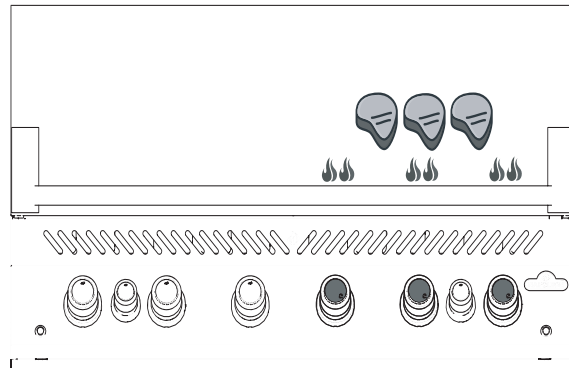
Asado Directo

Este método se usa para sellar cortes de carne o cocinar alimentos que requieren de un corto tiempo de exposición al fuego como las hamburguesas, filetes, pollo o verduras.

Coloque la comida directamente en la rejilla sobre el quemador que está encendido.

Selle la carne primero para retener más jugo y sabor.

Baje la llama para terminar de cocinar de acuerdo a su preferencia.



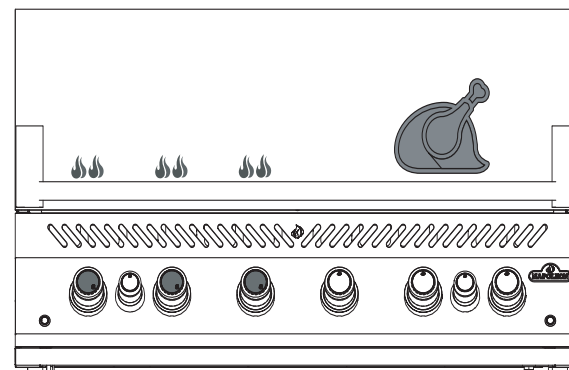
Asado Indirecto

Este método utiliza bajas temperaturas circulando el calor de manera constante para que los alimentos se cocinen lenta y uniformemente.

Emplee este método con cortes de carne grandes o propensos a causar llamaradas como cuando asa o rostiza pollo o pavo.

Posiciona la comida a un lado de la parrilla y enciende el o los quemadores del lado contrario de forma que los alimentos no estén directamente sobre el fuego.

Cocine a bajas temperaturas, por tiempos más largos y con la tapa de la parrilla cerrada para obtener cortes más tiernos y suaves.



¡ADVERTENCIA! Nunca coloque alimentos directamente sobre el quemador lateral Range. Únicamente está designado para su uso con ollas y sartenes.

¡ADVERTENCIA! No cierre la tapa del quemador lateral cuando éste se encuentra operando o sigue caliente.

¡ADVERTENCIA! No ponga alimentos a freír en el quemador lateral. Manejar grandes cantidades de aceite cerca de la parrilla puede ser peligroso.

¡ADVERTENCIA! Limpie la grasa acumulada en toda la parrilla regularmente para evitar posibles incendios.



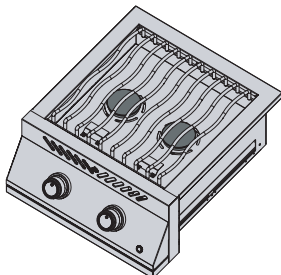


Uso del quemador principal infrarrojo (si está equipado)

Siga las instrucciones de "Encendido del quemador principal" y opere a temperatura alta durante 5 minutos con la tapa cerrada o hasta que los quemadores de cerámica se iluminen en rojo.

Cocine los alimentos directamente en la(s) parrilla(s) siguiendo las instrucciones en la "Guía de parrilla infrarroja".

Los alimentos se pueden chamuscar en el quemador infrarrojo y luego transferirlos a los quemadores principales de la parrilla para terminar de cocinar sobre calor directo o indirecto, dependiendo de su gusto y preferencia.



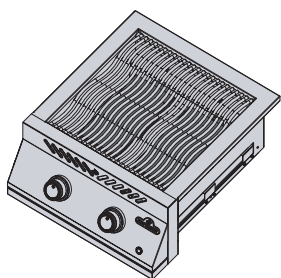
Quegador lateral Range (si está equipado)

Este quemador se puede usar como el de una estufa para cocinar gravy, sopas u otros guisos.

Se recomienda utilizar sartenes de 10" (25 cm) de diámetro.

El desempeño del quemador se verá afectado si está expuesto a ráfagas de viento.

Procure colocar la parrilla donde esté protegida del viento.

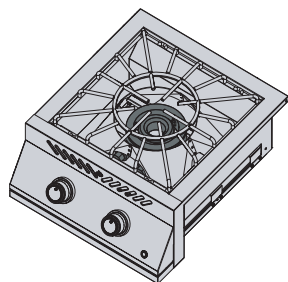


Quegador Lateral Infrarrojo (si está equipado)

Siga las instrucciones de encendido del Quemador Lateral. El calor infrarrojo provee de una superficie de cocción uniforme ideal para sellar alimentos a una alta temperatura.

Si desea utilizarlo para cocinar como si fuera un quemador de estufa use temperaturas más bajas, en cuyo caso utilice sartenes de 10" a 12" (25 a 30 cm) de diámetro como máximo sin cubrir más del 75% de la superficie de cocción.

Algunos modelos cuentan con rejillas de altura ajustable.



Quegador de potencia (si está equipado)

El quemador de potencia tiene 2 quemadores concéntricos. Use sartenes u ollas con un mínimo de 10" (25 cm) de diámetro en el quemador central, y un mínimo de 14" (35.5 cm) de diámetro en el quemador externo.

Para cocinar con un wok, retire el anillo central de la parrilla y respete los tamaños mínimos de las ollas a usar en el quemador externo.

Nota: Nunca deje encendido un quemador sin una olla o sartén llena encima.

Asar por la noche (si está equipado)

Pulse el botón marcado con una bombilla ubicado en el panel de control para iluminar las perillas.

Cuando un quemador está funcionando, la perilla correspondiente se iluminará en rojo, mientras que el resto permanecerá azul.

CONSEJOS DE LOS EXPERTOS!



Logra deliciosos ahumados utilizando los varios accesorios que ofrece Napoleon.

CONSEJOS DE LOS EXPERTOS!



Utiliza un termómetro para revisar la temperatura interna de la carne y lograr cocciones perfectas.

¡ADVERTENCIA! No deje los alimentos desatendidos mientras la parrilla está encendida.

¡ADVERTENCIA! Mantenga la tapa abierta si el quemador principal infrarrojo está en llama alta para evitar quemar la comida.



CÓMO ROSTIZAR USANDO EL QUEMADOR POSTERIOR

Asador eléctrico giratorio (si está equipado)

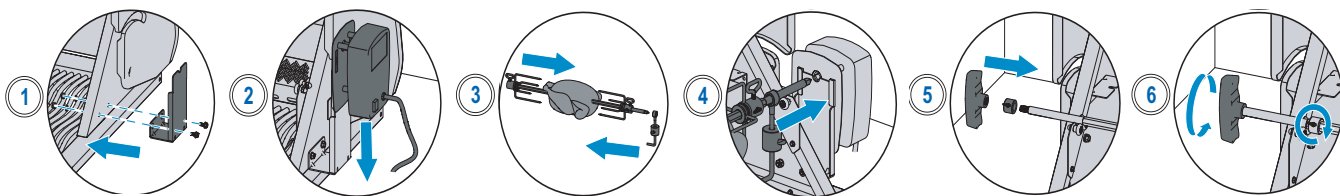
Nota: Retire las rejillas superiores antes de comenzar. El calor excesivo puede dañar las rejillas.

1. Instale el motor del asador en el costado de la parrilla utilizando los soportes aplicables (algunos modelos tienen soportes premontados).
2. Una vez que el soporte haya sido fijado a la parrilla, deslice el motor sobre el soporte.
3. Deslice el primer tenedor del asador en la varilla y ajústelo en su lugar. Inserte la carne que va a cocinar en la varilla y empújela hasta insertarla en el tenedor. Deslice el segundo tenedor por la varilla y empújelo en la carne. Apriete los tenedores para que queden inmóviles en la varilla.

4. Inserte un extremo de la varilla en el motor del asador y coloque el extremo opuesto sobre las perchas de la parrilla. El lado pesado de la carne colgará naturalmente para equilibrar la carga.
5. Deslice el casquillo de tope sobre la barra de asador, esto evitará movimientos laterales mientras cocina.
6. Apriete el casquillo de tope y el mango 'T' en la varilla. Coloque un platón o charola metálica debajo de la carne para recolectar el goteo de grasa y comience a cocinar.



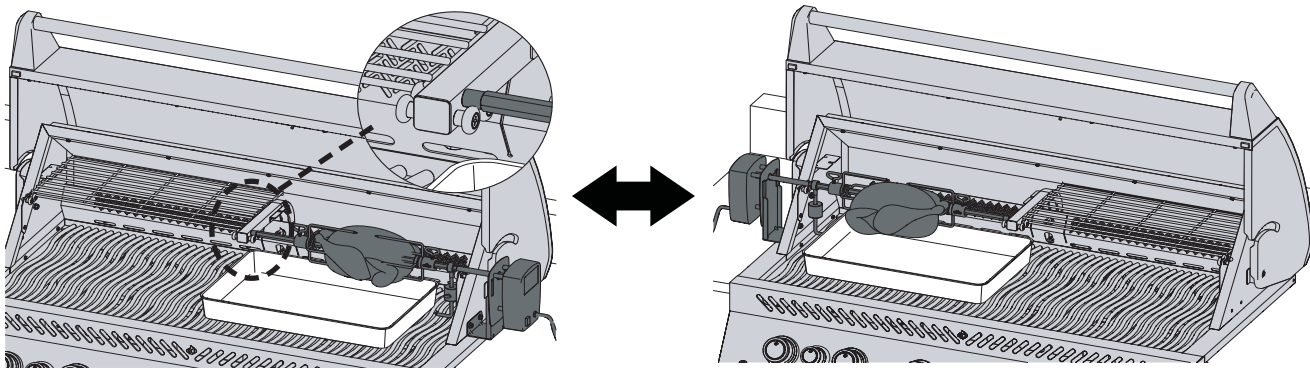
¡IMPORTANTE! Siempre use guantes protectores al manipular componentes de la parrilla.



BIG 44 Rostizado: Opción 1

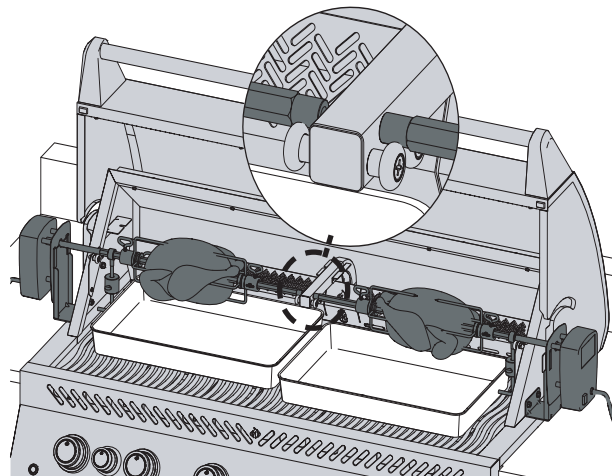
- El motor del asador se puede montar a ambos lados de la parrilla utilizando los soportes correspondientes.
- Asegúrese de retirar la rejilla de calentamiento correspondiente al lado en el que desea cocinar.

- Siga los pasos 3 a 4 del '**Montaje de parrilla eléctrica giratoria**'.
- Coloque un platón o charola metálica debajo de la carne para recolectar el goteo de grasa y comience a cocinar.



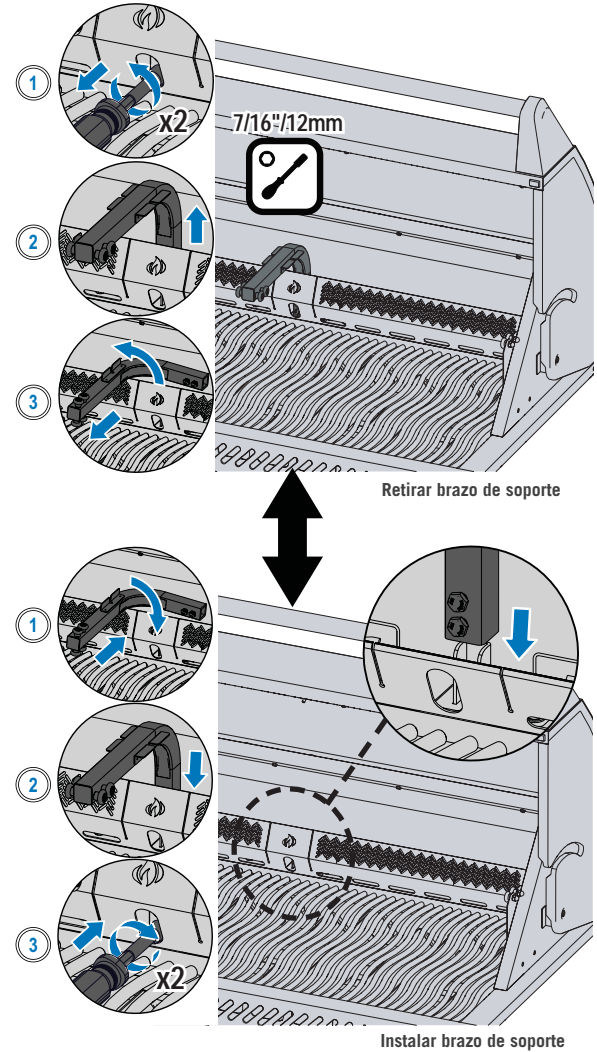
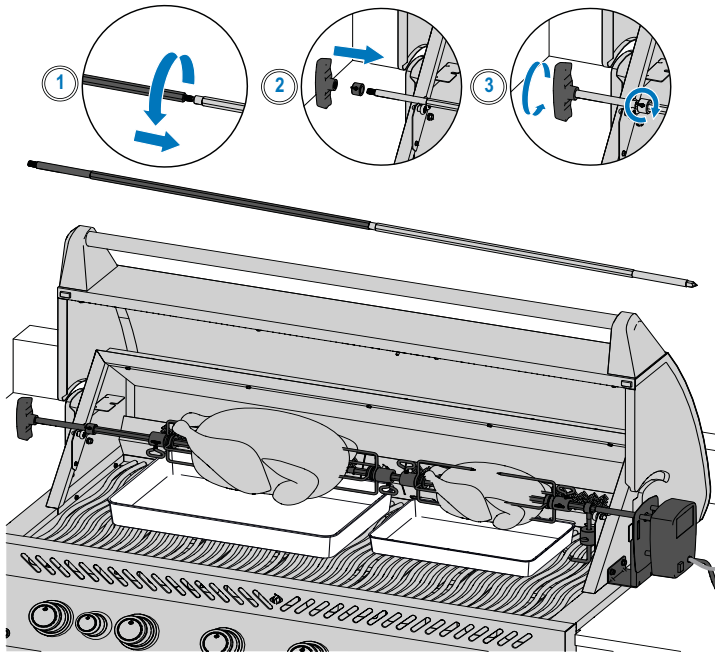
BIG 44 Rostizado: Opción 2

- Con la compra de un kit de rostizado adicional, puede tener dos motores funcionando al mismo tiempo.
- Asegúrese de quitar ambas rejillas de calentamiento e instale el motor adicional en el lado opuesto de la parrilla.
- Siga los pasos 3 a 4 del '**Montaje de parrilla eléctrica giratoria**'. para montar cada uno del equipo de rostizado.
- Coloque un platón o charola metálica debajo de la carne para recolectar el goteo de grasa y comience a cocinar.



Rostizado: Opción 3

- Para utilizar su equipo de rostizado a lo largo de toda la parrilla debe retirar primero ambas rejillas de calentamiento, instalar el motor del asador al lado que sea su preferencia y retirar el brazo de soporte del centro de la parrilla.
- Retire con cuidado los dos tornillos que sujetan el brazo de soporte a la parrilla.
- Una vez que se haya retirado el brazo de soporte, instale el extremo roscado de la extensión en el lado correspondiente de la varilla girando en el sentido de las manecillas del reloj.
- Siga los pasos 3-6 de "Montaje de parrilla eléctrica giratoria".



Desea sacarle más provecho a su asador?

- Mantenga el quemador posterior con la llama alta hasta que la carne presente un color café dorado. Entonces reduzca el fuego y continúe asando con la tapa cerrada.
- Utilice un termómetro para revisar la temperatura interna de la carne.
- Las aves deben dorarse por fuera y mantenerse tiernos por dentro.
- Utilice el jugo recolectado para bañar la carne periódicamente o hacer gravy.
- Un pollo de 3 libras se asa en aproximadamente 1 ½ horas en calor medio a alto.
- Asegúrese de colocar siempre una carga equilibrada en su asador.

Asa múltiples pollos a la vez

1. Ate las alas del pollo al cuerpo.
2. Deslice uno de los tenedores para asar en la varilla.
3. Coloque el primer pollo en la varilla hasta asegurarlo en el tenedor.
4. Coloque los siguientes dos pollos en la varilla.
5. Inserte el segundo tenedor en el último pollo y empuje hasta que las tres piezas estén muy juntas y cubran la totalidad de la varilla.

SABÍA QUE?

Puede retirar el resto de las rejillas si interfieren con la rotación de grandes piezas de carne.

¡PRECAUCIÓN! Desinstale los componentes del asador cuando termine de rostizar. Lávelos inmediatamente con agua tibia y jabón. No los deje o guarde en el exterior o en la parrilla.

¡PRECAUCIÓN! Use guantes resistentes al calor para armar, desarmar o mover los componentes del asador si están calientes.

¡ADVERTENCIA! Siempre use guantes y lentes protectores cuando limpie su parrilla.



LISTA PARA LOGRAR LAS MEJORES PARRILLADAS

¿Estoy listo para cocinar en la parrilla?

- Leí el Manual del Usuario**

He leído este manual y conozco todas las medidas de seguridad.

- La bandeja para recolectar la grasa que gotee está limpia**

Siempre me aseguro de limpiar la bandeja para la grasa antes de usar la parrilla para evitar llamaradas.

- La manguera de gas está en buenas condiciones**

Cuando la parrilla está fría y apagada, reviso la manguera del gas para asegurarme que no tenga cortes o señales de abrasiones excesivas.

- Pre-calenté la parrilla y las rejillas están limpias**

Cubra las rejillas con manteca vegetal sin sal y precaliente su parrilla. Esto quemará el exceso de residuos y evitará que la comida se pegue. Limpie las rejillas de hierro con un cepillo de alambre de latón y las rejillas de acero inoxidable con un cepillo para acero inoxidable. Consulte las "Instrucciones de Limpieza".

NOTE: El acero inoxidable es más resistente y durable por lo que requieren de menor mantenimiento y limpiezas menos frecuentes que las rejillas de hierro.

- Mi área está lista para cocinar**

Me aseguro que todo lo que necesito para cocinar está al alcance: condimentos, salsas, utensilios, entre otros. También nunca dejo los alimentos desatendidos o podrían quemarse.

- La tapa sólo se abre una vez.**

Intento no abrir la tapa para ver la comida demasiadas veces. Sé que el calor puede escaparse alterando la temperatura y el tiempo de cocción. Sólo la abro una vez para voltear la carne, especialmente los filetes de res y el pollo.

- La carne está bien espaciada**

Siempre dejo suficiente espacio entre la carne para tener libertad de moverla si lo necesito.

- La temperatura es apropiada**

Hago uso de un termómetro para asegurar que la carne se cocine apropiadamente, según las guías de temperatura para cada tipo de carne.

CÓMO SAZONAR SUS REJILLAS DE HIERRO

Es **OBLIGATORIO** realizar este proceso antes del primer uso y repetirlo cada 3 a 4 usos.

1. Retire las rejillas de hierro de su parrilla.
2. Lave las rejillas en una solución de agua tibia con jabón. Séquelas dando palmaditas con un paño suave, luego déjelos al aire hasta que sequen por completo.
3. Aplique el aceite o grasa vegetal uniformemente a ambos lados de las rejillas (se recomienda utilizar una brocha de silicona).
4. Precaliente la parrilla a 350°F - 400°F (176°C - 204°C).
5. Coloque las rejillas dentro de la parrilla y deje cocinar por 30 minutos a temperatura constante de 350°F - 400°F (176°C - 204°C).
6. Aplique una segunda capa de grasa o aceite y cocine de nuevo por 30 minutos.
7. ¡Listo! Sus rejillas ahora están sazonadas.

Nota: Si se forma óxido en las rejillas de hierro, retírelo usando un estropajo o cepillo de latón y repita el proceso de sazonado.

CONSEJO DE LOS EXPERTOS!

Inspire sus parrilladas con las deliciosas recetas y técnicas que encontrará en www.napoleon.com y en los libros de cocina de Napoleon.








CONSEJO DE LOS EXPERTOS!

Siempre precaliente la parrilla para eliminar residuos de comida y prevenir que la carne se adhiera a las rejillas.

SUGERENCIA DE ACEITE Y GRASA!

- Aceite de semilla de uva
 - Aceite de girasol
 - Aceite de soya
 - Aceite de oliva extra virgen
 - Aceite de canola
- En caso de no tener estos aceites a la mano, utilice algún otro que tenga un alto punto de humo. No utilice grasas con sal como mantequilla o margarina.

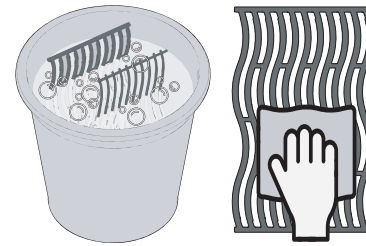
Guía de Cocción en Infrarrojo

TIPO DE ALIMENTO	POSICIÓN DE LA PERILLA	TIEMPO DE COCCIÓN	SUGERENCIAS
 Filete de res Grosor: 1 pulgada (2.54 cm)	ALTO – 2 minutos por lado	Medio – 4 minutos	Pide cortes de grasa veteadas. La grasa es un suavizante natural y conserva la carne jugosa.
	ALTO a MEDIO – A fuego alto por 2 minutos por lado, luego reducir a fuego medio	Tres cuartos – 6 minutos Bien cocido – 8 minutos	
 Hamburguesa Grueso de ½ pulgada (1.27 cm)	ALTO – 2 minutos por lado	Medio – 4 minutos	Mantenga el grosor de la hamburguesa consistente para asegurar el mismo tiempo de cocción. Hamburguesas de una o más pulgadas de grosor deben cocinarse usando fuego indirecto.
	ALTO – 2 ½ minutos por lado	Bien cocido – 5 minutos	
	ALTO – 3 minutos por lado	Bien cocido – 6 minutos	
 Pollo	ALTO, MEDIO, BAJO – mantener a fuego alto por 2 minutos de cada lado, después baje el fuego a nivel medio-bajo o bajo.	20 – 25 minutos	Haga un corte parcial de ¾ en la unión del cuerpo y el muslo de manera que todo el pollo esté sobre el quemador y se cocine uniformemente.
 Chuletas de cerdo	MEDIO	6 minutos por lado	Elija cortes gruesos para tener carne más suave. Recorte el exceso de grasa.
 Costillas	ALTO a BAJO – Fuego alto por 5 minutos, después mantener en fuego bajo hasta que la carne termine de cocinarse.	20 minutos por lado volteando repetidamente	Elija costillas de carne magra. Cocine hasta que la carne se desprenda fácilmente del hueso.
 Chuletas de cordero	ALTO a MEDIO – Fuego alto por 5 minutos, después mantener en fuego medio hasta que la carne termine de cocinarse.	15 minutos por lado	Elija cortes gruesos para tener carne más suave. Recorte el exceso de grasa.
 Hot dogs	MEDIO a BAJO	4 – 6 minutos	Seleccione salchichas largas y corte parcialmente a lo largo antes de colocar en la parrilla.

Instrucciones de Limpieza

Antes de usar por primera vez

1. Lave las rejillas a mano con agua enjabonada para remover cualquier residuo dejado por el proceso de manufactura. No lave en lavavajillas.
2. Enjuague completamente con agua caliente y seque usando un limpiador de tela suave para prevenir que el hierro absorba la humedad.

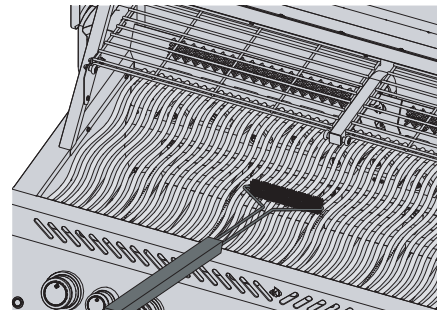


Rejillas de hierro fundido

- Cure las rejillas de la parrilla para protegerlas y evitar corrosión. Vea “Cómo curar su parrilla”.

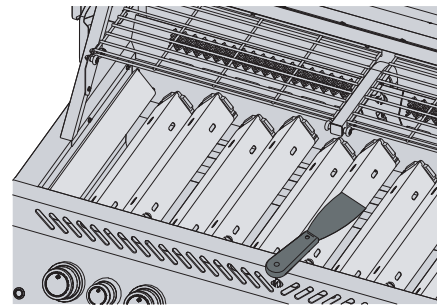
Rejillas de acero inoxidable

- Las rejillas de acero inoxidable se limpian al precalentar la parrilla y al usar un cepillo de cerdas metálicas para remover residuos
- Con el tiempo y uso frecuente, las rejillas de acero inoxidable presentarán una descoloración debido a las altas temperaturas a las que se exponen cada vez que cocina. Esto es normal.



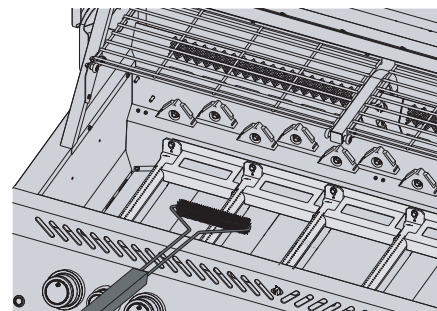
Quegador lateral infrarrojo

- La mayoría de las partículas de comida que caen en el quemador infrarrojo se incineran inmediatamente debido a la alta intensidad del calor.
- Nunca limpie la cerámica con un cepillo metálico.
- No use agua u otros líquidos para limpiar el quemador. Un cambio drástico o repentino en la temperatura causará fracturas en la cerámica.
- Encienda el quemador y déjelo operar a nivel alto por 5 a 10 minutos para remover cualquier residuo.



Dentro de la parrilla

1. Retire las rejillas.
2. Cepille las paredes y el interior de la tapa con un cepillo de cerdas metálicas.
3. Talle las placas de los quemadores con una espátula. Luego utilice el cepillo de cerdas metálicas para remover las cenizas.
4. Retire las placas y sacuda el residuo de comida y la basurilla de los quemadores usando un cepillo metálico.
5. Todos los residuos o basurilla que limpie, sacude o talle deben caer en la bandeja colecta-grasa.



¡ADVERTENCIA! La grasa acumulada es peligro de incendio.

¡ADVERTENCIA! Espere a que la parrilla se enfríe antes de limpiarla para evitar la posibilidad de quemaduras o causar daños a los materiales por el choque de temperatura.



Bandeja para recolectar grasa

Cada parrilla, quemador lateral o quemador Drop-in tienen una bandeja para grasa correspondiente que es de fácil acceso por puertas y aperturas.

- El exceso de grasa y jugo que se genera cuando cocina cae en la bandeja que está debajo de los quemadores y se acumula en el contenedor desechable debajo de la bandeja. (si aplica)
- Sólo utilice forros aprobados por Napoleon para cubrir la bandeja. Nunca use papel aluminio, arena, carbón o cualquier otro material no aprobado. Esto puede ocasionar que la grasa no fluya adecuadamente.
- Limpie frecuentemente la bandeja para evitar acumulamientos excesivos de grasa. Se recomienda limpiarla cada 4 o 5 usos.

Pasos para limpiar la bandeja:

1. Después de haber limpiado el interior de la parrilla, saque la bandeja deslizándola de su lugar.
2. Talle la bandeja con una espátula.
3. Deseche el contenedor con grasa y residuos acumulados y reemplácelo cada 2 a 4 semanas, dependiendo de su uso. (si aplica)
4. Siempre acuda a su distribuidor Napoleon por repuestos y accesorios.

Panel de control

Únicamente utilice agua enjabonada.

Hay texto impreso directamente en el panel de control y pueden desaparecer gradualmente si se usan limpiadores demasiado agresivos.

Realizar una limpieza adecuada del panel de control asegurará que el texto permanezca claro y legible por más tiempo.

Fundiciones de aluminio

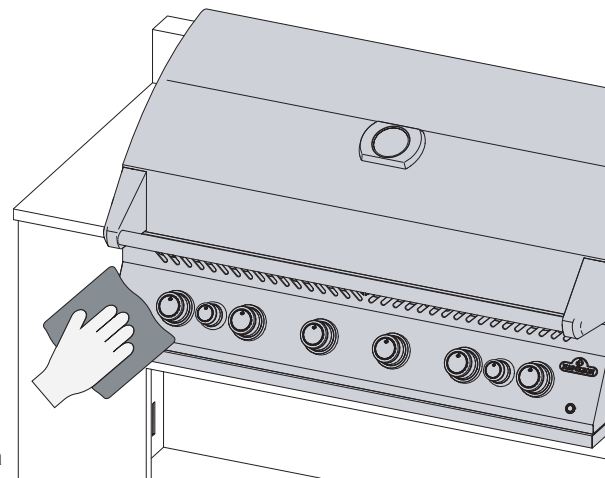
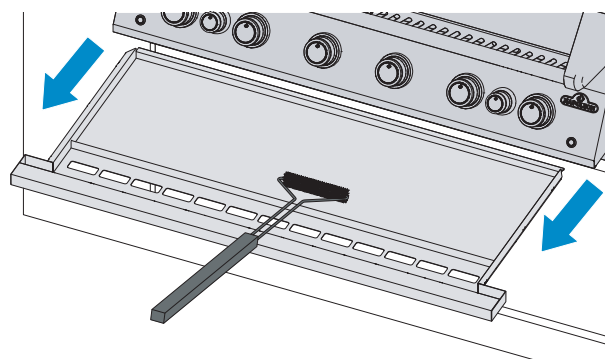
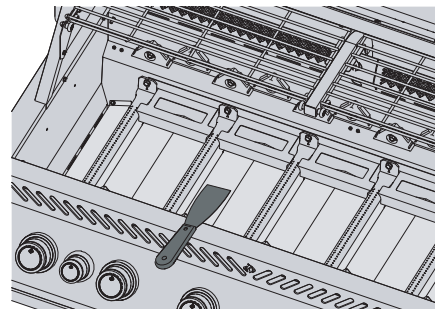
Limpiar con agua enjabonada.

El aluminio no se corroe, sin embargo las altas temperaturas y la erosión pueden causar puntos de oxidación que parecen manchas blancas.

Vea las "Instrucciones de Mantenimiento" para más información sobre cómo prevenir la oxidación en aluminio.

Superficie externa de la parrilla

- Utilice limpiadores líquidos no abrasivos.
- Siempre limpie en dirección del patrón con telas suaves.
- Maneje los componentes esmaltados en porcelana con cuidado.
- El acabado de esmalte horneado es similar al vidrio y se estrellará si se golpea.
- Su distribuidor Napoleon puede retocar el esmaltado en su parrilla.
- Las partes de acero inoxidable se descoloran con el tiempo debido a la exposición al calor intenso. Es normal que se tornen de color dorado o cobrizo. Esto no afectará el desempeño de la parrilla.



¡ADVERTENCIA! Apague la parrilla y espere a que se enfríe antes de comenzar a limpiarla. No use limpiadores del horno para limpiar cualquier parte de esta parrilla. No coloque las rejillas o ninguna parte de la parrilla en un horno de auto-limpieza. Limpie en un área donde la solución que utilice no pueda dañar cobertizos, pisos de madera, patios, o céspedes.

¡ADVERTENCIA! La salsa BBQ y la sal pueden ser corrosivos y causarán un rápido deterioro en los componentes de la parrilla, a menos que se limpie con frecuencia.



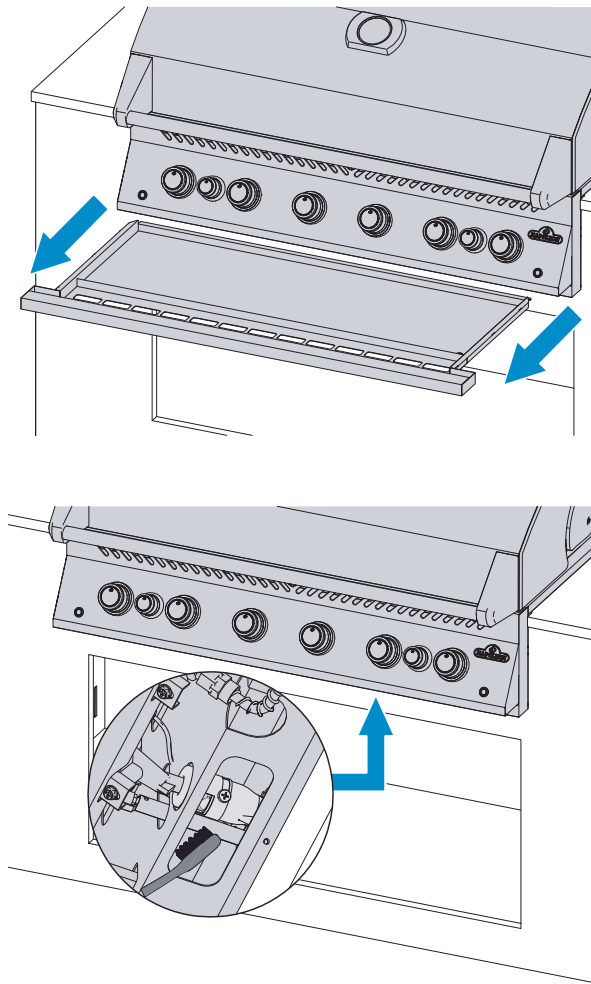
Telarañas e insectos en los quemadores

Las arañas y los insectos se sienten atraídos por los espacios pequeños.

Los quemadores están equipados con una malla contra insectos en el obturador de aire. Esto reduce la probabilidad de encontrar nidos de insectos dentro de los quemadores, sin embargo no resuelve el problema.

Un nido o acumulación de telarañas pueden ocasionar que la llama se torne de color amarillo o anaranjado, y puede causar un incendio o fogueo hacia el interior del quemador o hacia el obturador de aire debajo del panel de control.

1. Retire los tornillos que aseguran el quemador a la pared trasera de la parrilla. Deslice el quemador hacia atrás y hacia arriba para removerlo.
2. Use un tubo Venturi flexible para limpiar el interior del quemador.
3. Sacuda la basurilla suelta del quemador a través de la entrada del gas.
4. Revise que los puertos del quemador y los orificios de la válvula no presenten obstrucciones: los quemadores se pueden bloquear con el tiempo debido a residuos de grasa o corrosión acumulada.
5. Usando un clip metálico o sujetapapeles abierto, retire cualquier obstrucción que haya en el puerto del quemador.
6. Si el clip no funciona, use un taladro portátil pequeño y la broca incluida con su parrilla para perforar obstrucciones.
Nota: Esta broca es únicamente para los puertos de los quemadores, NO para los orificios de latón que regulan el flujo de gas al quemador.
7. No haga los puertos más grandes.
8. Asegúrese que la malla contra insectos esté siempre limpia y colocada correctamente.
9. Siga el procedimiento en reversa para instalar el quemador.
10. Asegúrese que las válvulas estén dentro del quemador al reinstalarlo.
11. Reemplace la montura para las placas y ajuste los tornillos para completar la re-instalación.



LA SEGURIDAD PRIMERO!

Siempre use guantes y lentes de protección al darle mantenimiento a su parrilla.

¡ADVERTENCIA! Es de suma importancia que la válvula que regula el flujo de gas se introduzca correctamente en el cilindro del quemador al reinstalarlo en la parrilla. Una re-instalación incorrecta puede ocasionar un incendio o explosión.

¡ADVERTENCIA! Evite el contacto con superficies calientes.

¡ADVERTENCIA! No use limpiadores abrasivos o lana de acero en ninguna parte pintada, de porcelana o de acero inoxidable de su parrilla porque rayará el acabado.



Instrucciones de Mantenimiento

Recomendaciones

Se debe realizar un mantenimiento completo anualmente por personal calificado.

- No obstruya el flujo de la ventilación y la combustión del aire en ningún momento.
- Las aperturas de ventilación a los laterales del carro de la parrilla y en la parte frontal y trasera del estante inferior deben mantenerse siempre libres de basura u obstrucciones.

¡ADVERTENCIA! Mantenga la parrilla lejos de materiales combustibles, gasolina, y otros vapores y líquidos inflamables.

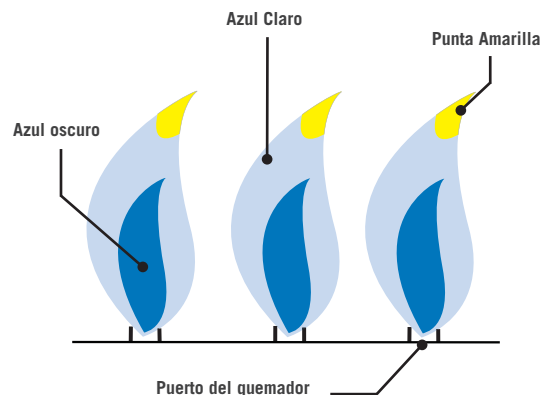


COMBUSTIÓN EN EL AJUSTE DE AIRE



¡IMPORTANTE! Este procedimiento debe ser realizado por personal calificado.

- El obturador de aire se ajusta en fábrica y no debe requerir modificaciones bajo circunstancias normales. Sin embargo, en condiciones extremas, un ajuste puede ser necesario.
- Cuando están ajustados correctamente las flamas que se generan son de color azul oscuro en la base, azul claro en el cuerpo y ocasionalmente presentan destellos amarillos en la punta.
- Cuando hay poca circulación de aire hacia el quemador se produce hollín y llamas tenues de color amarillo.
- Cuando hay demasiada circulación de aire hacia el quemador las llamas se mueven erráticamente y puede ser difícil encenderlas.



Ajustar en obturador de aire

1. Retire las rejillas y las placas para tener acceso a los quemadores.
2. Para acceder al tornillo del obturador de aire, ubicado en la boca del quemador, es necesario abrir la(s) puerta(s) del carro.
3. Retire la cubierta posterior para ajustar el obturador de aire del tubo posterior.
4. Afloje el tornillo que asegura el obturador para abrirlo o cerrarlo según se requiera. (Fig. 1)
5. Encienda los quemadores en llama alta.
6. Inspeccione el aspecto de las flamas.
7. Si el aspecto es correcto, apague los quemadores, apriete los tornillos que aseguran el obturador y recolece las placas y rejillas.
8. Asegúrese de no haber alterado la malla contra insectos.

Note: El quemador infrarrojo no puede ser ajustado.

Modelo		Tamaño del orificio		Obturador de aire	
		Quegador Principal	Quegador posterior	Quegador Principal	Quegador posterior
BIG32RB	Propano	#60	1.25mm	1/2"	Full
	Gas natural	1.45mm	#50	3/8"	Full
BIG38RB	Propano	#60	1.25mm	1/2"	Full
	Gas natural	1.45mm	#50	3/8"	Full
BIG44RB	Propano	#60	1.25mm	1/2"	Full
	Gas natural	1.45mm	#50	3/8"	Full
BI32	Propano	#60	-	-	-
	Gas natural	1.45mm	-	-	-
BIB10RT / BI10RT	Propano	#64	-	-	-
	Gas natural	#55	-	-	-
BIB10IR	Propano	#64	-	-	-
	Gas natural	1.27mm	-	-	-
BIB12RT / BI12RT	Propano	1.2mm	-	-	-
	Gas natural	1.7mm	-	-	-
BIB18RT	Propano	1.2mm	-	-	-
	Gas natural	1.7mm	-	-	-
BIB18IR	Propano	1.15mm	-	-	-
	Gas natural	#52	-	-	-
BIB18PB (anillo exterior)	Propano	1.75mm	-	-	-
	Gas natural	2.4mm	-	-	-
BIB18PB (anillo interior)	Propane	1.4mm	-	-	-
	Gaz naturel	2.05mm	-	-	-

Fig. 1

ACERO INOXIDABLE EN CONDICIONES ADVERSAS

El acero inoxidable se mancha o descolora cuando es expuesto a cloros y sulfatos, especialmente en regiones costeras, áreas de calor húmedo y en las cercanías de albercas o jacuzzis. Estas manchas tienen un aspecto parecido al óxido pero se puede remover y prevenir fácilmente. Lave las superficies de acero y cromo cada 3 o 4 semanas. Limpiar con agua enjabonada.

Los quemadores

- El calor extremo y la exposición a sustancias abrasivas pueden generar corrosión en la superficie aún cuando el quemador está hecho de acero inoxidable grado 304.

Protección de los quemadores infrarrojos.

El quemador infrarrojo está diseñado para tener una larga vida, pero debe tratarse con cuidado para evitar causar fracturas en las superficies de cerámica. Las grietas ocasionan que el quemador deje de funcionar adecuadamente.



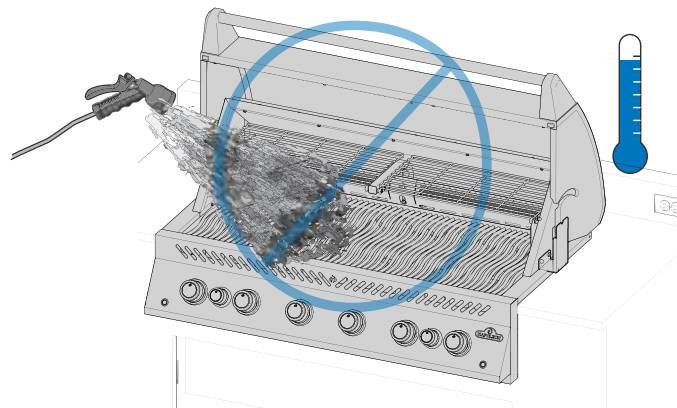
¡IMPORTANTE! El daño causado por no seguir estas instrucciones NO está cubierto por la garantía de esta parrilla.

¿Cómo evitar dañar las superficies de cerámica?

1. Nunca apague el fuego o trate de controlar una llamarada con agua.
2. No permita que el agua fría (lluvia, aspersores, mangueras, etc) entre en contacto con los quemadores de cerámica calientes. El cambio inmediato de temperatura puede causar grietas en la cerámica.
3. Encender un quemador de cerámica mojado causará que se levante vapor y producirá presión que fracturará la cerámica.
4. Remojar la cerámica repetidamente ocasionará que se expanda produciendo presión que hará que la cerámica se rompa y/o quiebre.
5. Si encuentra agua en la base de la parrilla, revise que la cerámica no se haya remojado.
6. Retire el quemador si la cerámica está mojada. Colóquela del revés para que escurra el exceso de agua y luego séquela completamente.
6. No permita que el quemador sea impactado por objetos pesados o duros. Siempre inserte o retire las rejillas con cuidado.

Liquidación Ventilación de aire caliente

- El aire caliente debe poder salir de la parrilla para que los quemadores funcionen correctamente.
- Los quemadores pueden verse privados de oxígeno si no se permite que escape el aire caliente, lo que hace que parpadeen. Si esto ocurre repetidamente, la cerámica se fracturará.



QUEREMOS AYUDAR!

Póngase en contacto con nuestro servicio de Atención al Cliente para resolver cualquier duda o problema. 1-866-820-8686.

LA SEGURIDAD PRIMERO!

Nunca cubra más del 75% de ninguna superficie de cocción sobre el quemador principal o lateral con utensilios de metal sólido como comales o sartenes.

¡ADVERTENCIA! Cierre la fuente de gas y desconecte la unidad antes de darle mantenimiento.

¡ADVERTENCIA! El mantenimiento sólo puede ser realizado cuando la parrilla se ha enfriado para evitar la posibilidad de quemaduras.

¡ADVERTENCIA! Realice una prueba de fugas después de realizar cualquier mantenimiento.



Solución de problemas

Problemas en el encendido

- El quemador principal, posterior, o lateral no encienden con la ignición, pero sí con un fósforo.
- No pasa la llama de un quemador a otro al encenderse.

	Posibles causas	Solución
Quemador principal	La salida de JETFIRE™ está sucio u obstruido.	Limpie la salida del JETFIRE™ con un cepillo suave.
	El soporte de encendido cruzado está sucio o corroído.	Limpie o reemplace según sea necesario.
Quemadores laterales y posteriores	Batería agotada o instalada incorrectamente.	Reemplace con una batería Premium de alta resistencia.
	Cable de electrodo está suelto o en la terminal incorrecta.	Verifique que el cable del electrodo esté firmemente presionado sobre la terminal en la parte posterior de la ignición. Verifique que los cables conducen del módulo al interruptor de encendido (si está equipado) y que estén firmemente presionados en sus respectivas terminales.
	Las llamas se levantan del quemador.	Cierre el obturador del aire de acuerdo con las instrucciones de Mantenimiento de este manual. ¡IMPORTANTE! Esto debe ser realizado por personal calificado.

El quemador infrarrojo parpadea

- Durante el funcionamiento, el quemador emite un fuerte silbido, seguido de un sonido continuo de tipo soplete y se queda una llama tenue o tiene una gran llama en el arranque.

Posibles causas	Solución
Las placas de cerámica se sobrecargan con acumulaciones de grasa. Los puertos están obstruidos.	Apague el quemador y déjelo enfriar durante 2 minutos. Vuelva a encender el quemador en llama alta durante al menos 5 minutos, o hasta que la cerámica esté de color rojo uniforme.
Quemador sobrecalentado debido a una ventilación inadecuada.	Asegúrese de que no más del 75% de la superficie cerámica esté cubierta por objetos o accesorios de metal sólido.
Demasiada superficie de la parrilla está cubierta por una plancha o sartén.	Apague el quemador y deje que se enfríe durante 2 minutos. Vuelva a encender.
Hay fugas que rodean las placas cerámicas, o hay una falla de soldadura en la carcasa del quemador.	Permita que el quemador se enfríe e inspeccione muy de cerca en busca de grietas. Póngase en contacto con su distribuidor autorizado Napoleon para obtener instrucciones sobre cómo solicitar un quemador de repuesto si encuentra grietas.

Ruidos y calor.

- El regulador hace un zumbido.
- Hay llamaradas excesivas y el calor es desigual.

Posibles causas	Solución
El zumbido es normal en días calurosos.	Esto no es un defecto. Es causado por vibraciones internas en el regulador y no afecta el rendimiento o la seguridad de la parrilla de gas. Los reguladores que zumban NO SERÁN reemplazados.
La válvula del cilindro se abrió demasiado rápido.	Abra la válvula del cilindro lentamente.
Placas del quemador están instaladas incorrectamente.	Asegúrese de que las placas del quemador estén instaladas con los agujeros hacia el frente y las ranuras en la parte inferior. Consulte la Guía de Ensamblaje.
Calentamiento inadecuado.	Precaliente la parrilla con todos los quemadores principales a temperatura alta durante 10-15 minutos.
El exceso de grasa y cenizas se acumulan en las placas y en la bandeja de goteo.	Limpie las placas y la bandeja para la grasa regularmente. No cubra la bandeja con papel aluminio. Consulte las instrucciones de limpieza.

Flujo de gas.

- La llama está baja o la parrilla no se calienta cuando se tiene en posición alta.
- Las llamas son de color amarillo, y hay olor a gas.
- Las llamas se alejan del quemador, hay olor a gas y no se encienden fácilmente.
- La salida del quemador está en alto, pero la configuración es baja. Hay un ruido retumbante y llamas azules ondeantes en la superficie del quemador.

Posibles causas	Solución
Propano: procedimiento de encendido incorrecto.	Todas las válvulas de gas deben estar apagadas cuando se abre la válvula del tanque. Abra la válvula del tanque lentamente para permitir que la presión se iguale.
Gas natural: línea de suministro insuficiente.	La tubería debe dimensionarse de acuerdo con el código de instalación.
Gas propano y gas natural: precalentamiento inadecuado.	Precaliente la parrilla con los quemadores principales a temperatura alta durante 10 a 15 minutos.
Posible telaraña u otros desechos.	Limpie completamente posibles nidos o telarañas del orificio del quemador siguiendo las instrucciones en este manual.
Ajuste incorrecto del obturador de aire.	Abra o cierre el obturador de aire ligeramente de acuerdo con las instrucciones en este manual. ¡IMPORTANTE! Esto debe hacerlo un instalador de gas calificado.
Falta de gas	Verifique el nivel de gas en el cilindro de propano.
La manguera de suministro está apretada.	Vuelva a colocar la manguera de suministro según sea necesario.
Regulador de propano está en flujo bajo.	Apague los quemadores y cierre la válvula del tanque, espere 5 minutos antes de reabrir completamente la válvula, espere unos segundos para que la presión se iguale antes de encender la parrilla siguiendo las instrucciones de este manual. Asegúrese de seguir el procedimiento de encendido correctamente cada vez que cocine. Todas las válvulas de gas deben estar CERRADAS cuando se abre la válvula del tanque. Siempre abra la válvula del tanque lentamente.

Pintura

- Parece que la pintura se está despegando por dentro de la tapa.

Posibles causas	Solución
Acumulación de grasa en las superficies interiores.	Esto no es un defecto. El acabado de la tapa es de porcelana y no se cae. Lo que se desprende es la grasa endurecida que se seca en fragmentos sobre la pintura. La limpieza regular evitará esto. Vea las instrucciones de limpieza.

REGISTRE SU PARRILLA!



¡Registre su parrilla! Visite Napoleon.com o su Guía de Ensamblaje para obtener instrucciones sobre piezas de repuesto

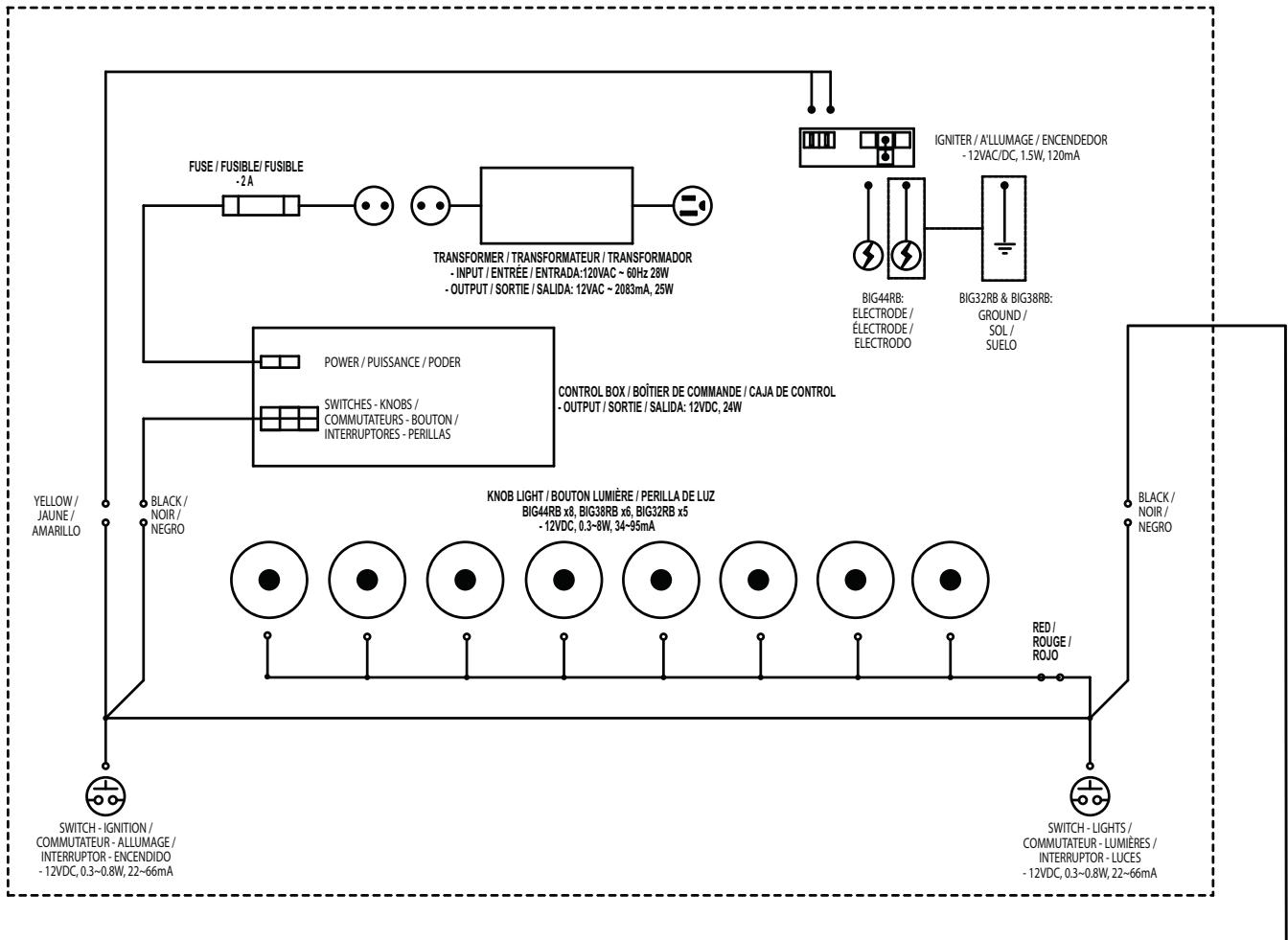
QUEREMOS AYUDAR!



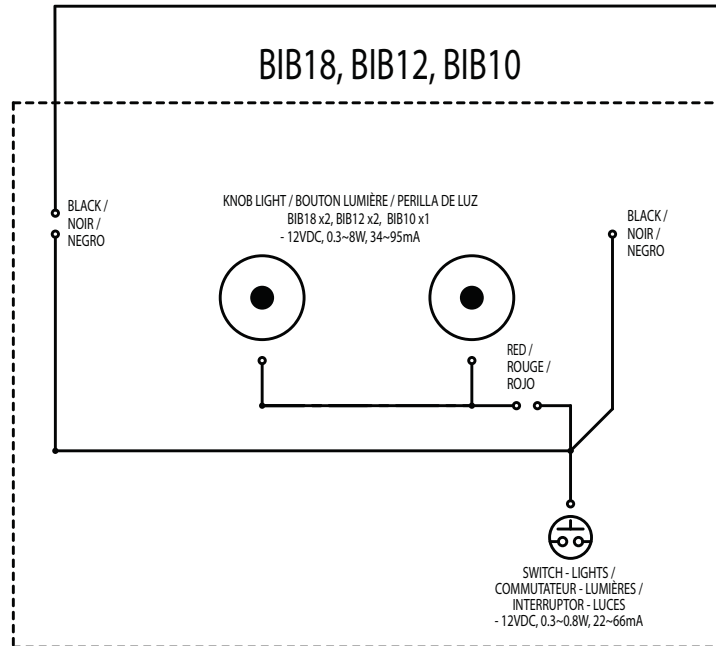
Napoleón está aquí para garantizar que sus experiencias sean memorables. Contáctenos si necesita ayuda adicional.

DIAGRAMA DEL SISTEMA ELÉCTRICO

BIG44RB, BIG38RB, BIG32RB



BIB18, BIB12, BIB10



GARANTÍA LIMITADA DE POR VIDA DE NAPOLEON

PARA LA SERIE DE MODELOS PRESTIGE®, PRESTIGE PRO™ Y BUILT-IN

Los productos Napoleon están diseñados con piezas y materiales de primera calidad y son ensamblados por expertos artesanos que se toman muy en serio su trabajo. Este producto ha sido rigurosamente inspeccionado por un técnico calificado antes de ser empaquetado y enviado a fin de asegurarle que usted, como cliente, reciba el producto de calidad que espera de NAPOLEON.

Gracias por adquirir un producto de Napoleon. Napoleon (Wolf Steel Ltd, Barrie, ON, Canadá) garantiza que los componentes en su nuevo producto de Napoleon estará libre de defectos de material y construcción desde momento de su compra.



Capucha.....	De por vida
Tapa de acero inoxidable	De por vida
Tapa esmaltada en porcelana	De por vida
Fundiciones de aluminio	De por vida
Rejillas para cocinar de acero inoxidable.....	De por vida
Tubos de los quemadores en acero inoxidable.....	De por vida
Placas de sellado en acero inoxidable.....	15 Años
Rejillas fundidas en acero esmaltadas en porcelana.....	15 Años
Quemador trasero infrarrojo de acero inoxidable.....	15 Años
Quemador lateral infrarrojo	15 Años
Todas las demás piezas	15 Años

CONDICIONES Y LIMITACIONES:

Esta Garantía voluntaria crea un periodo de garantía como lo especifica la tabla mencionada para productos adquiridos por medio de un distribuidor autorizado de Napoleon, y le da derecho al comprador original (o al beneficiario del obsequio en caso de que un nuevo producto haya sido otorgado como regalo), en el marco de la cobertura indicada relativa a cualquier pieza reemplazada en el periodo de garantía, ya sea por NAPOLEON o un distribuidor autorizado del mismo, a reemplazar una pieza de dicho producto que ha presentado fallas en el uso privado normal como resultado de un defecto de fabricación. Garantía no contempla accesorios ni elementos extras.

Para mayor certeza, el “uso privado normal” de un producto se refiere a que el producto: ha sido (cuando sea aplicable) instalado por un técnico o contratista autorizado, portador de una licencia, de conformidad con las instrucciones de instalación incluidas con el producto y según todas las normas locales y nacionales de construcción y contra incendios; ha recibido la limpieza y el mantenimiento adecuado de acuerdo a las instrucciones que lo acompañan; y no ha sido usado para fines de servicio comunitario ni comerciales. En caso de usarse para fines de servicio comunitario o comerciales (cuando sea aprobado), la Garantía se reduce a un periodo de dos (2) años.

De igual manera, “falla” no incluye: daños causados por sobrecalentamiento ni por condiciones ambientales como vientos fuertes o ventilación inadecuada, rasguños, abolladuras, corrosión, deterioro de acabados pintados o recubiertos, decoloración causada por el calor, elementos de limpieza abrasivos o químicos o exposición ultravioleta, desportillado de piezas porcelanizadas o daños causados por mal uso, accidente, granizo, incendios provocados por grasas, falta de mantenimiento, ambientes hostiles como la presencia de sal o cloro, alteraciones, abuso, negligencia o piezas instaladas de otros fabricantes. Si usted vive en área costera, o mantiene su producto cerca de una piscina o jacuzzi, el mantenimiento debe incluir lavado y enjuagado frecuente de las superficies exteriores como lo indica el manual del usuario que acompaña al producto, para prevenir corrosión de las superficies. Si ocurrieran deterioros de piezas que impidieran que el equipo funcione (completamente oxidadas o quemadas) dentro del plazo de la cobertura de la garantía, se le proporcionará un reemplazo. Las partes reemplazadas bajo esta garantía están garantizadas sólo por el balance restante del periodo original de quince (15) años mencionado anteriormente.

La pieza de reemplazo es la única responsabilidad de Napoleon, según lo especificado en esta Garantía, y en ningún caso NAPOLEON será responsable de la instalación, mano de obra, ni cualquier otro costo o gasto relacionado con la reinstalación de una pieza comprendida en la garantía; ni de daños adicionales, resultantes o indirectos ni de los cargos de transporte, costos de obra ni impuestos de exportación.



GARANTÍA LIMITADA DE POR VIDA DE NAPOLEON

PARA LA SERIE DE MODELOS PRESTIGE®, PRESTIGE PRO™ Y BUILT-IN

El uso y/o instalación de partes en su producto de Napoleon que no son genuinas a Napoleon invalidarán esta Garantía, y cualquier daño que resulte de esto no será cubierto por esta garantía. Toda conversión de gas del producto que no haya sido autorizada por Napoleon ni realizada por un técnico autorizado por Napoleon invalidarán esta garantía.

Esta garantía se proporciona adicionalmente a los derechos que le otorgan las leyes locales. Estos y otros derechos legales no se ven afectados por la disposición de esta garantía. En consecuencia, esta garantía no impone ninguna obligación a Napoleon de mantener las piezas en stock. Según la disponibilidad de piezas, Napoleon puede, a su discreción, cumplir con todas las obligaciones al proporcionar a un cliente un crédito prorrateado para un nuevo producto. Napoleon puede actualizar periódicamente el diseño de sus productos. Nada de lo contenido en esta garantía se interpretará como que obliga a Napoleon a incorporar dichas actualizaciones de diseño en productos fabricados previamente, ni se considerará que admitan que los diseños anteriores eran defectuosos.

El registro de su producto Napoleon confirma la cobertura de su garantía, agilizará cualquier reclamo de garantía que necesite hacer y proporcionará un enlace entre usted y Napoleon en caso de que necesitemos contactarlo. Al realizar reclamos de garantía, los representantes de Napoleon pueden solicitarle la factura de compra o una copia, junto con un número de serie y un número de modelo. Napoleon se reserva el derecho de que un representante autorizado inspeccione cualquier producto o pieza antes de cumplir con cualquier reclamo de garantía. Debe comunicarse con el Servicio de Atención al Cliente de Napoleon o con un distribuidor autorizado de Napoleon para obtener los beneficios cubiertos en esta garantía.



NAPOLEON - CELEBRATING OVER 40 YEARS OF HOME COMFORT PRODUCTS



Napoleon products are protected by one or more U.S. and Canadian and/or foreign patents or patents pending.

Les produits de Napoleon sont protégés par un ou plusieurs brevets américains, canadiens et (ou) étrangers au par des brevets en instance.

Los productos Napoleon están protegidos por una o más patentes o patentes pendientes en E.U., Canadá y/o otros países.

24 Napoleon Road, Barrie, Ontario, L4M 0G8
103 Miller Drive, Crittenden, Kentucky, USA 41030
7200 Trans Canada Highway, Montreal, Quebec H4T 1A3

PHONE: 866-820-8686
napoleon.com
grills@napoleonproducts.com

Last Revision | J | May 13, 2022



Napoleon.com | BUILT-IN Series