



USE & CARE GUIDE

DOUBLE SIDE BURNER MODEL BLZ-SB2LTE (NG/LP)

DANGER - IF YOU SMELL GAS:

- 1) Shut off the gas supply to the appliance at its source.
- 2) Extinguish any open flames.
- 3) If a gas odor persists, keep away from your appliance and contact your gas supplier or fire department immediately.

WARNING

- 1) Do not store or use gasoline or other flammable liquids or vapor in the vicinity of this or any other appliance.
- 2) An LP cylinder not connected for use shall not be stored in the vicinity of this or any other appliances.

ATTENTION:

INSTALLER: PLEASE LEAVE THESE INSTRUCTIONS WITH THE CONSUMER.

CONSUMER: PLEASE READ & RETAIN THESE INSTRUCTIONS FOR FUTURE REFERENCE AND BEFORE INSTALLING AND OPERATING.

- CONTACT INFORMATION -

Blaze Outdoor Products

6620 Greenwell Springs Rd, Baton Rouge, LA 70805

Phone: 866-976-9510

CustomerService@BlazeGrills.com

www.BlazeGrills.com

BLAZE Instructional Book

Page | 1



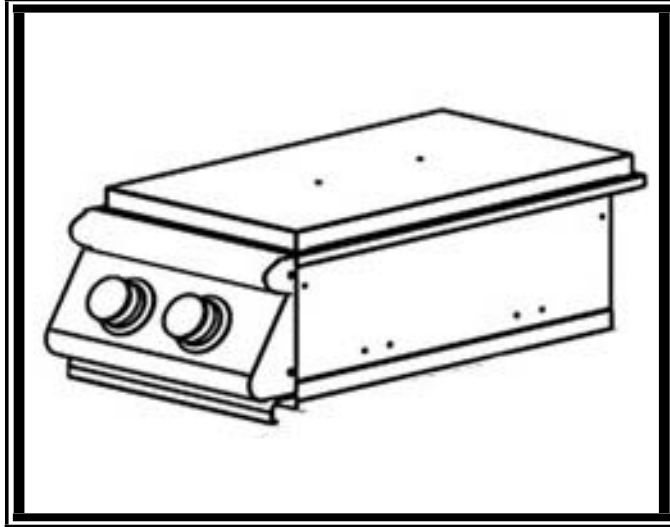
Table of Contents

I. Burner Specifications	4
II. General Safety and Installation Warnings	5-8
i. Location of Appliance	8-10
III. Electrical Safety and Installation Warnings	11-12
IV. Gas Safety and Installation Warnings	12-13
i. Checking for Gas Leaks	14-16
ii. Unpacking Unit	16
V. Gas Connections	17
i. Natural Gas Requirements	17
ii. Liquid Propane Gas and Tank Requirements	17-18
iii. Transporting and Storing LP Gas	18-19
VI. Installing the Appliance in a BBQ Island	20
i. Outdoor Kitchen Ventilation	21-23
ii. Building BBQ Specifications + Instruction Diagrams	23-24
VII. First Time Operation	25
i. Lighting the Appliance	25-26
ii. Manually Lighting the Appliance	26
iii. Flame Adjustment	26-27

VIII. Cleaning your Appliance	27-28
IX. Fuel Conversion	28
i. Gas Regulator	28-29
ii. Burners	30
X. Troubleshooting	30
XI. Warranty Registration	31
XII. Parts	32
XIII. Product Serial Number	33
XIV. BLAZE Product Registration	34

THIS MANUAL APPLIES TO THE FOLLOWING BLAZE PRODUCT:

DOUBLE SLIDE IN SIDE BURNER

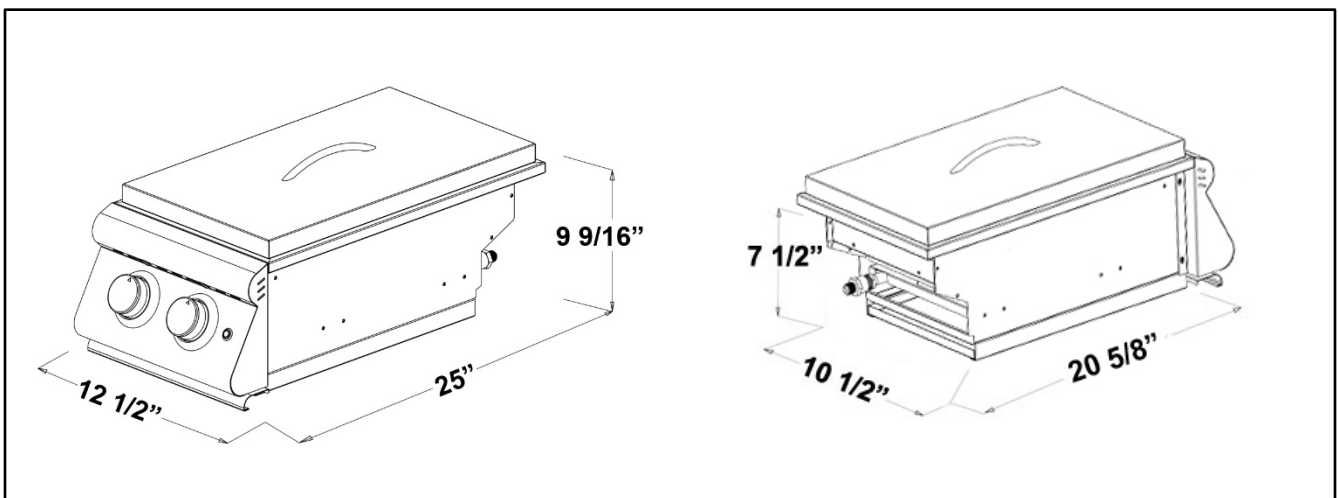


PRODUCT SPECIFICATIONS

NOTE: ALWAYS have equipment measured by Contractor before beginning any project.

Double Side Burner Cut Out

8 1/2" H x 10 3/4" W x 20 3/4" D



IMPORTANT SAFETY INFORMATION

WARNING

Please read this manual carefully and before using your BLAZE burner to ensure proper operation, installation, servicing and to reduce the risk of fire, burn hazard and or other injury. This manual should be retained for your information.

NOTE:

Improper installation and service or maintenance may cause property damage, injury or death.

Do not operate this appliance without having read this manual.

All gas installations and gas conversions must be performed by a qualified technician or authorized service agent.



NOTE: This appliance is not intended for commercial use.

FOR YOUR SAFETY

If you smell gas:

1. Shut off gas to the appliance.
2. Extinguish any open flame.
3. If odor continues, immediately call your gas supplier or your fire department.

General Safety and Installation Warnings

Safe operation of the BLAZE burner depends upon its proper installation. Only a qualified professional installer and service technician must perform adjustments and service of the burner. Proper location and proper use is essential to insure safe and continued trouble-free operation. Any non-approved alterations made to the appliance will void the product's warranty.

NOTE: The manufacturer cannot be held responsible for damage or injury caused by improper use of this appliance.

When using your BLAZE appliance, please read and follow these basic precautions:

WARNING

To reduce the risk of fire, electric shock, or injury, read and follow these basic precautions before installing/operating your appliance.

APPLIANCE INSTALLATION

This gas appliance must be installed in accordance with all local codes.

If installation is planned in an area with no local codes, the gas appliance must be installed in accord with the National Fuel Gas Code ANSI Z223.1 and storage and handling of liquefied petroleum gases, ANSI/NFPA 58 or CSA B149.1 natural gas and propane installation code.



CALIFORNIA PROPOSITION 65 WARNING

WARNING: This product can expose you to chemicals including Chromium (hexavalent compounds), which are known to the State of California to cause cancer and birth defects or other reproductive harm. For more information go to: www.P65Warnings.ca.gov

WARNING: Improper installation, adjustment, alteration, service or maintenance can cause injury or property damage. Read the installation, operating and maintenance instructions thoroughly before installing or servicing this equipment.

WARNING

EXPLOSION HAZARD

Do not use the appliance as storage area for flammable materials. Keep area clear and free from combustible materials, gasoline, and other flammable vapors and liquids. Failure to do so can result in death, explosion, or

In Massachusetts: All gas products must be installed using a "Massachusetts" licensed plumber or gasfitter. A "T" handle type manual gas valve must be installed in the gas supply line to this appliance. This applies to permanently installed natural gas and propane installations. This does not apply to propane portable installations using a 20 pound tank.

Have an ABC Fire Extinguisher accessible at all times. Never attempt to extinguish a grease fire with water or other liquids.

IMPORTANT: Consult the AHJ (Authority Having Jurisdiction) or local contractor of any uncertainty.

WARNING

This unit is for outdoor use only!

Do not operate in a building, garage or any other enclosed areas. This could result in carbon monoxide buildup which could result in injury or death. Side burners are not designed or intended for installation near a window or vent that goes into the house.

WARNING

For proper operation, burners must be aligned with the valve orifice and seated in the burner housing. Failure to do so could result in a fire and injury.

BEWARE OF SPIDERS



CAUTION: BURNER TUBES MUST BE INSPECTED AND CLEANED BEFORE EACH USE.

Spiders and small insects occasionally spin webs or make nests in the burner tubes. These webs can lead to a gas flow obstruction, which could result in a fire in and around the burner tubes. This type of fire is known as "FLASH-BACK" and can cause serious damage to your appliance and create an unsafe operating condition for the user. Although an obstructed burner tube is not the only cause of "FLASH-BACK" it is the most common cause, and frequent inspection and cleaning of the burner tubes is necessary.

FOR YOUR SAFETY

1. Do not store or use gasoline or other flammable vapors and liquids in the vicinity of this or any other appliance.
2. Do not store any propane/butane (G31-G30) cylinder (that is not connected for use) in the vicinity of this or any other appliance.

NOTE: Check with City and Fire department for Local Building Codes. A Permit may be required for outdoor kitchen construction.

Do not attempt to heat unopened containers on the burner as pressure may build up and cause the container to explode.

Never use charcoal or any other solid fuel in the appliance.

Never cook without the drip pan in place.

Never operate this appliance while under the influence of alcohol or drugs.

Please read all instructions before installing or operating your gas appliance to prevent injury and appliance damage.

- All gas appliances will get hot during use. Use extreme caution when operating the appliance.
- Do not touch hot surfaces.
- Close supervision is necessary when this or any appliance is used near children. Keep children away from the appliance during operation and until the appliance has cooled off.
- Do not store any LP cylinder or tank not connected for use with the appliance, in the area of this appliance or any other appliance. Never store an LP cylinder or tank indoors, or within the reach of children.
- Never test the appliance for gas leaks using a lighted match or any other open flame; see leak test procedures using soap/water solutions – see section on Leak Testing.
- The use of accessories, regulators, or components not recommended by the appliance manufacturer may cause injuries and will void warranty.
- Never light the appliance with the stainless steel cover in place and be certain that the burners are

positioned and seated over the gas valves and on the burner support.

- Never lean over the cooking surface when lighting or operating the appliance.
- Use cooking utensils with wood handles and insulated oven mitts when operating the appliance.
- Do not store anything in the appliance. Make sure food is not forgotten in the appliance; forgotten items could melt or catch fire when the appliance is turned on.
- To prevent injuries, do not use accessories that are not recommended by the manufacturer.
- Before cleaning the appliance, disconnect the transformer and "trip" the circuit breaker.
- Never use the appliance in windy conditions. If located in a consistently windy area (oceanfront, mountaintop, etc.) a wind break will be required. Winds blowing into or across the burner can cause poor performance.
- Never operate the burner with the lid in place.
- Children should not be left alone or unattended in an area where any appliance is in use. They should never be allowed to touch, sit or stand on any part of the appliance.
- Do not store items of interest to children in cabinets above the appliance or in the appliance. Children climbing on the appliance to reach these items could be seriously injured.
- Wear proper clothing when operating this appliance. Loose-fitting or hanging garments should never be worn while using the appliance.
- Do not leave the appliance unattended while in use.
- Do not use water on grease fires! A violent steam explosion may result. Instead, smother the fire with a multipurpose ABC extinguisher.

Location of Appliance

Most importantly, this is an outdoor appliance. Ensure your appliance is positioned safely away from anything that can catch fire. *Under no circumstance is this appliance to be used indoors. This includes garages or any other enclosed area.* This outdoor cooking gas appliance is not approved to be installed in or on any recreational vehicles and /or boats. BLAZE burners are for single family/residential use only.

When determining a suitable location take into account concerns such as exposure to wind, proximity to traffic paths and keeping any gas supply lines as short as possible.

- Do not store combustible materials, gasoline or flammable liquids or vapors around the appliance.
- This BLAZE burner must be located outdoors only. As with any gas appliance, harmful carbon monoxide is produced during the combustion process that should not be allowed to accumulate in a confined space. Please note since hot air rises above the BLAZE burner while in operation, covered

locations should be avoided. Do not locate the BLAZE burner where an overhang or awning may cover it.

- DO NOT obstruct the flow of combustion and ventilation air to this appliance.
- Keep any electrical supply cords and the fuel supply hoses away from any heated surfaces and/or sharp and aggressive edges.
- Non-Combustible Enclosure: The BLAZE burner must be installed in a NON-COMBUSTIBLE ENCLOSURE ONLY. The determination of whether a location is combustible or non-combustible construction is made by the local fire marshal, building inspector or the local safety authority having jurisdiction.
- Clearance from Combustibles: Ensure your appliance remains at a distance of at least 16" from sides & 16" from back from any combustible material such as wood, gyprock, paper and plants. Do not store combustible materials, gasoline or flammable liquids or vapors around the appliance.
- Adequate Ventilation: Ensure there is adequate ventilation for both the appliance and/or island cavity. This is required not only for proper combustion, but also to prevent gas build up. While the amount of venting required varies on a case by case basis, consult with your local licensed professional and local code for adequate venting requirements. Keep the ventilation openings of the enclosure free and clear from any debris.
- Firm Level Surface: Use your appliance only on a firm level surface. This appliance is not designed for recreational vehicles, and should not be installed on a boat or marine craft.
- Protection from Weather: Keep the appliance protected from adverse weather, including rain and winds. Wind can back up the heat behind the control panel potentially creating a gas leak, damage to the product, and injury.
- Maintenance Access: When your appliance is installed, you should be able to access the gas supply line including the gas piping or hose, gas regulator, gas cylinder and any shut off valves. Allow clear access to the entire gas supply hose and regulator.
- Partial Enclosures: Many backyards have areas that are partially closed off, such as balconies and pergolas. In some cases, it is hard to decide whether these partially enclosed areas should be classified as indoor areas, particularly in terms of permanent (non-closable) ventilation. Consult the AHJ (Authority Having Jurisdiction) or local contractor of any uncertainty. This outdoor cooking gas appliance shall not be located under overhead construction.

Electrical Safety and Installation Warnings

Extension cords may be used if care is exercised in their use.

If an extension cord is used:

- The marked electrical rating of the cord set or extension cord should be at least as great as the electrical rating of the appliance.
- The cord should be arranged so that it will not touch hot surfaces, sharp edges or drape over the countertop or tabletop (where it can be pulled or tripped over unintentionally).

Outdoor extension cords should be used with products suited for outdoor use. They are surface marked with suffix letters "W" or "W-A" and with a tag stating "Suitable for Use with Outdoor Appliances".

To protect against electrical shock, the power cord and plug should be kept dry and off of the ground. Do not clean this product with water spray; do not spray cleaners into the lamp socket area.

Gasoline, lighter fluid or other flammable liquids and vapors should never be stored in the area of this appliance or any other appliance.

Before installation or service, disconnect the power supply to the work area by removing the fuse, "tripping" the circuit breaker, or unplugging the unit.

NOTE: Use a 15 AMP Breaker with GFI protection.

NOTE: This grill uses a "Transformer" to provide power to the LED lights and internal lights. This diagram provides you with connection location.



Keep any electrical supply cord and fuel supply hose away from any heated surfaces, sharp edges and dripping grease.

Be certain your appliance is properly installed and grounded by a qualified technician in accordance with applicable codes. To guarantee the electrical safety of this appliance, continuity must exist between the appliance and an effective grounding system. It is imperative that this basic safety requirement be met. The manufacturer cannot be held responsible for damages caused by the lack or inadequacy of an effective grounding system.

Do not operate any appliance with a damaged power cord or power plug, and do not operate any appliance after the appliance malfunctions or has been damaged in any manner. If this should occur, return

the appliance to the nearest authorized service facility for examination, repair or adjustment.

This appliance conforms to all uniform electrical safety codes and electrical grounding regulations. Install unit according to I.A.W. local codes or with National Electrical Code ANSI/NFPA 70 or CSA C22.1 in their absence.

Gas Safety and Installation Warnings

- All gas connections should be made by a Professional qualified technician and in accordance with local codes and ordinances. The installation must conform with local codes or, in the absence of local codes, with either the National Fuel Gas Code, ANSI Z223.1/NFPA 54, or CAN/CGA-B149.1, Natural Gas Installation Code or CAN/CGA-B149.2, Propane Installation Code.
- Always check the Rating Plate to make sure the gas supply you are hooking up to is the gas type the appliance is manufactured for.
- Check the rating label on the left hand outside of the double side burner.

RATING PLATE LOCATION



- Do not twist the gas supply hose.
- Before each use, visually inspect the gas supply hose for cracks, cuts or excessive wear. Replace the hose if necessary. Check for gas leaks before each use.
- Gas Specifications: Be sure that the gas supplied to the appliance conforms to the model you purchased. A Natural Gas appliance requires natural gas to operate; an LP appliance requires liquid propane gas to operate.
- Never connect the appliance to an unregulated gas supply line. Appliances operated without a regulator are unsafe and will not be serviced until installed properly and safely. Unsafe operation without a gas regulator will void the warranty of the appliance.
- Appliances operated with NG (natural gas) gas must be installed with the NG regulator supplied with the unit and set to 4.0" water column pressure.
- Appliances operated with LP (liquid propane) gas must be installed with an LP regulator set to 11" water column pressure.

- Please contact your dealer and use a licensed contractor or installer to convert your appliance to the different gas type.
- CHECK TO ENSURE THAT THE GAS SUPPLY HOSE DOES NOT COME IN CONTACT WITH ANY HOT SURFACE, SHARP OR ROUGH EDGES OF THE APPLIANCE OR OUTDOOR KITCHEN CONSTRUCTION. DO NOT KINK THE GAS LINE WHEN INSTALLING.

The self-contained LP system appliance is design certified to be used with a standard 20 lb., 12 1/4" diameter; 18" high cylinder with right handed connection threads and this is the maximum size LP tank to be used. The cylinder must be marked in accordance with the latest U.S. Department of Transportation specifications for LP gas cylinders. (DOT. CFR49 or National Standards of Canada CAN/CSA-B359 Cylinders, Spheres and Tubes for the Transportation of Dangerous Goods a Propane Tank with an ODP Overfill Prevention Device must be used at all times.)

IMPORTANT: Never connect the appliance to an unregulated gas supply.

If there are local codes that apply to outdoor burners, you will have to conform to them. Installation must conform with local codes or in the absence of local codes, to the National Fuel Gas Code, ANSI Z223.1/NFPA 54 and Natural Gas Installation Code, CSA B149.1. All Natural Gas installations must conform to local codes or in the absence of local codes the national fuel gas code, ANSIZ223.1a--1998.

If there are local codes that apply to outdoor burners, you will have to conform to them. Installation must conform with local codes or, in the absence of local codes, with Propane Installation Code, CSA B149.1, or Propane Storage and Handling Code, B149.2 as applicable.

Installation in Canada must be in accordance with the standard CAN/CGA- B149.2.

A licensed contractor or local gas company representative must perform all gas connections.

Ensure that the service supplying the appliance is fitted with a shut off valve conveniently positioned near the appliance and giving ease of access.

The appliance and its individual shutoff valve must be disconnected from the gas supply piping system during any pressure testing of that system.

WARNING

GAS LEAK WARNINGS

- ❑ FINDING AND/OR FIXING A GAS LEAK IS NOT A “DO-IT-YOURSELF” PROCEDURE – ONLY USE A PROFESSIONAL.
- ❑ NEVER USE THE APPLIANCE WITHOUT FIRST LEAK TESTING THE GAS CONNECTIONS INCLUDING ALL OF THE VALVES, FITTINGS, LINES ETC. (ALL GAS CONNECTIONS SHOULD BE CHECKED.)
- ❑ WARNING: DO NOT USE AN OPEN FLAME TO CHECK FOR LEAKS. USE OF AN OPEN FLAME COULD RESULT IN A FIRE, EXPLOSION AND BODILY HARM.
- ❑ DO NOT SMOKE WHILE PERFORMING THE LEAK TEST. ANY OPEN FLAME WILL IGNITE THE GAS.
- ❑ TO PREVENT FIRE OR EXPLOSION HAZARD, PERFORM LEAK TEST OUTDOORS ONLY.
- ❑ CHECK TO ENSURE THAT FLEXIBLE HOSES DO NOT HAVE ANY CUTS AND WEAR THAT MAY AFFECT THE SAFETY BEFORE EACH USE. ONLY THE FACTORY SUPPLIED HOSE AND REGULATOR MUST BE USED. USE ONLY REPLACEMENT REGULATOR AND HOSE ASSEMBLIES SPECIFIED BY BLAZE OUTDOOR PRODUCTS.

Checking for Gas Leaks

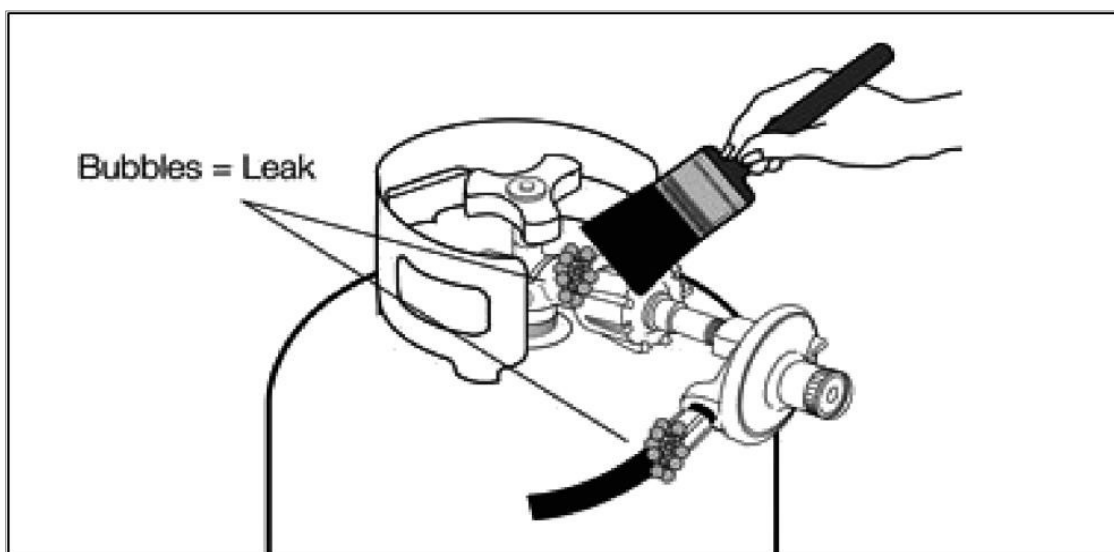
Perform a leak test before each use. In addition, whenever the gas cylinder is connected to the regulator or whenever any part of the gas system is disconnected or replaced, perform a leak test.

As a safety precaution, remember to always leak test your appliance outdoors in a well-ventilated area. Never smoke or permit sources of ignition in the area while doing a leak test. Do not use a flame, such as a lighted match to test for leaks. Use a solution of soapy water.

- Prepare a leak testing solution of soapy water by mixing in a spray bottle one part liquid soap to one part water.
- Make sure all the control knobs are in the OFF position.
- Turn on the gas.
 - On Natural Gas systems, turn the main feed valve to the appliance.
 - On LP systems, turn the cylinder valve knob counter clockwise one turn to open.
- Apply the leak-testing solution by spraying it on joints of the gas delivery system. This includes all valves, pipe connections, joints, lines and every point from the gas source to the burners.
- Blowing bubbles in the soap solution and/or there is a faint gas smell (Typically Gas has an Egg Smell) indicates that a leak is present. Do not attempt to ignite the burner.
- Turn all control knobs back to the full OFF position.
- Stop a leak by tightening the loose joint and/or resealing with thread sealant or Teflon tape, removing sealant or tape in the event of a flared connection or by replacing the faulty part with a

replacement part recommended by the manufacturer. Do not attempt to repair the cylinder valve if it is damaged. The cylinder must be discarded to a proper LP tank location and then replaced.

- If you are unable to stop a leak turn all control knobs back to the full OFF position, shut off the gas supply to the appliance and release pressure in the hose and manifold by pushing in and turning any of the control valves one quarter turn counter-clockwise.
- On LP systems, remove the cylinder from the appliance.
- Call an authorized gas appliance service technician or an LP gas dealer.
- Do not use the appliance until the leak is corrected.
- The below diagram is intended to show what a leaking connection would look like. These two locations are not the only points to check nor the only potential areas for a gas leak to be present.



Leak Testing

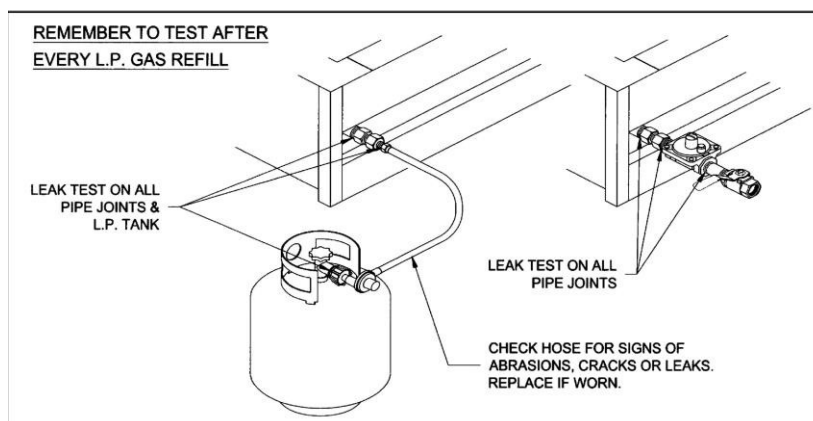
- All gas piping and connections must be tested for leaks after installation or service along with before each use. This includes all valves, pipe connections, joints, lines and every point from the gas source to the burners.

All leaks must be corrected immediately. Remember-before exchanging an empty bottle for a new one; make sure all control valves are in the "off" position. This can create a low flow of gas through the burner. This would require the tank to be disconnected from the regulator, and then reconnected to reset the regulator.

Open the valve (shut-off or 'ON' LP tank). Test for leaks by applying liquid soap solution to all joints. Bubbles forming indicate gas leak.

- The following diagram is for informational purposes only. These locations are not the only points to check nor the only potential areas for a gas leak to be present. Ensure the leak test includes all valves, pipe connections, joints, lines and every point from the gas source to the burners.

NEVER USE AN OPEN FLAME TO CHECK FOR LEAKS.



UNPACKING UNIT:

Product Inspection: A final inspection of your product occurs at the factory to ensure a quality product is packaged. Please re-check for possible shipping damage immediately after unpacking your burner. If the appliance is found to have some damage, contact your dealer immediately as often the shipping carrier will have a timeframe to report damage. Please also save the packaging material the product came with as that is at times inspected by the shipping carrier.

Caution: Do not leave the unit under the sun with the protective film on for a long period of time as it will make the film difficult to remove and/or leave markings on the materials which are not covered by the warranty.

Your BLAZE Series Appliance comes pre-assembled and requires very little setup. We do however; recommend the use of professional help during the installation of your unit as improper installation may affect your warranty. Remove the unit from the box along with all accessories and check that no damage has occurred to the unit or any parts. Remove all packaging materials, labels and protective plastic film before you start cooking.

Burners: Check the burners and remove any obstructions that may be in the ports or holes. Using cold water and a brush will be sufficient. Make sure all foreign particles are removed from the burner before use. When finished ensure that the burners are seated in the burner slots. Failure to do so could result in a fire and injury.

Gas Connections

Natural Gas Requirements

- Connect a suitable natural gas flex connector to the appliance regulator located on the rear right corner of the appliance. It is recommended to use a flex connector with a minimum of a ½" diameter or larger.
- Sealing all non-flared fittings with thread sealant or Teflon tape.
- Ensure the flex connector is protected from sharp edges, heat, aggressive surfaces, and kinking.
- Check the appliance controls to ensure all control valves are in the full OFF position.
- Turn on the main gas supply and check all connections for leaks using soapy water as described in the leak testing procedure section.
- The regulator used must be set for 4" water column and is for use with Natural gas only. Note: Most low pressure regulators have a directional arrow indicating the direction in which the gas must travel. Ensure the arrow is pointing in the direction of the appliance.
- An installer supplied gas shutoff valve must be installed in an accessible place.

Liquid Propane (LP) Gas and Tank Requirements

- If your BLAZE Grill is for a Liquid Propane application, a L.P regulator set for 11" WC must be used and is for use with LP gas only.
- The regulator and hose supplied must be used with a 20 lb. LP cylinder.
- A collar to protect the cylinder threads on the customer supplied tank.
- An arrangement for gas vapor withdrawal.
- A safety relief device having direct communication with the vapor space of the cylinder.
- A method of mounting.
- The gas supply must be turned off at the LP Gas supply cylinder and the LP Gas supply cylinder must be disconnected from the regulator when this outdoor cooking gas appliance is not in use.
- Always sit the cylinder in an upright position so that the cylinder valve is at the top. This will ensure proper vapor withdrawal.
- The cylinder should not be stored in a building, garage, or any other enclosed area. It should be stored outdoors in a protected, cool, and dry location out of reach of children.

- Never store any spare or extra gas cylinder(s) around or in the outdoor kitchen containing the BLAZE appliance or any other open flame, heat-producing appliance(s) or heat source.

WARNING

Filling and Refilling LP Gas Cylinders:

All purging and refilling of LP gas cylinders must be performed by qualified personnel in the LP gas industry. Never store a spare LP gas cylinder under or near this appliance. Never fill the LP gas cylinder beyond 80 percent full. Failure to follow these instructions may result in explosion, personal injury or death.

- Turn control knobs and cylinder valve to the OFF position. Unscrew valve.
- Remove cylinder and have it filled at your local qualified propane dealer.
- Once filled, carefully connect the valve and make sure it is secure and not leaking.
- With the control knobs in the OFF position, turn on the cylinder valve.

If you smell gas or hear a hiss of gas escaping from the tank, get away from the tank and do not attempt to correct the problem yourself. Call the Fire Department immediately.

If your appliance has no leak at the cylinder, then re-check for loose connections and retest for leaks using the method detailed in the following pages with soapy solution.

Do not subject your LP gas cylinder to excessive heat, and always store the cylinder in an upright position.

Never store your LP cylinders indoors.

Make sure that when attaching components, all connections are secured and fully tightened to prevent leakage.

Always check for leaks before every use.

If one is not already available, it is recommended that an ON-OFF shutoff valve be installed at the gas supply source, and that the gas supply be turned off when either Natural Gas or LP Gas appliances are not in use.

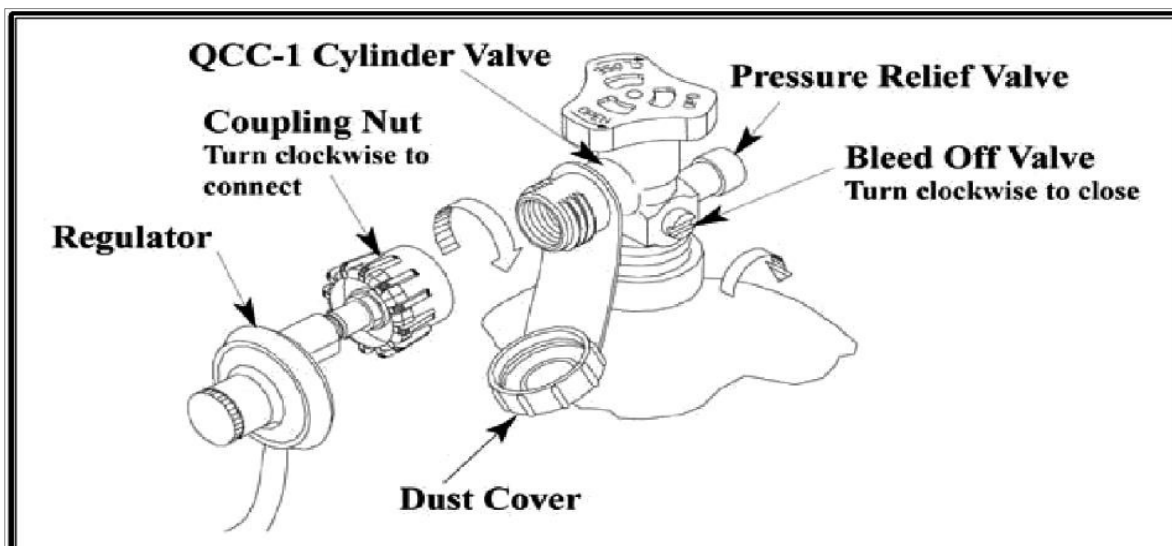
Transporting and Storing LP Gas

Transport only one cylinder at a time. Ensure the cylinder is secured in an upright position with the control valve turned off and the dust cap in place. Store cylinders outdoors and out of the reach of children. Do not store cylinders in a building, garage, or any other enclosed area.

Procedure for LP Gas Cylinder Connection (20 lbs)

The LP Gas Cylinder must be in compliance with the specifications for LP-Gas Cylinders of the US Department of Transportation or the National Standard of Canada, CAN/CSA- B339. The basic tank size is 12" in diameter and 18" High with a QCC-1 cylinder valve.

1. Turn the "Hand Wheel" on cylinder clockwise until it stops to ensure the Cylinder Valve is fully closed.
2. Turn all of the burner knobs to the OFF position.
3. Connect the 3/8" Flare end of the hose to the 3/8" Flare end of the brass coupling on the unit using a 3/4" open wrench. Do not apply pipe sealant. (These are flared fittings.) Note: remember the rubber line on the hose and regulator must be protected from sharp edges, hot surfaces, aggressive building materials that could cut, melt, or damage the line. A separate approved gas line might be needed to go between the hose and regulator and the appliance to position the rubber line in a safe location.
4. Connect the regulator to the LP cylinder. Only hand-tighten the regulator.
5. Check for leaks using a soapy water solution by spraying on all connections, including all of the valves, fittings, lines etc. (any and all gas connections have the ability leak and therefore it is critical to check for leaks before each use)
6. To disconnect after you have used the appliance, turn the burner knobs to the OFF position.
7. Close the Cylinder Valve by turning the Hand Wheel counter-clockwise until it stops.
8. Disconnect the regulator from the LP cylinder after use.



Installing the Appliance in a BBQ Island

NOTE: Check with City and Fire department for Local Building Codes. A Permit may be required for outdoor kitchen construction.

You will need a second person to help you avoid damaging the appliance or your appliance island.

WARNING

Ensure all clearances to combustibles are maintained. See page 23.

The island must be made out of non-combustible material. In the event it is combustible, the use of an insulation jacket is **REQUIRED**.

WARNING

- **Protection from Weather:** Keep the appliance protected from adverse weather, including rain and wind. Wind can back up the heat behind the control panel potentially creating a gas leak, damage to the product, and injury. A wind block behind the appliance may be necessary.

Outdoor Kitchen Ventilation

WARNING

Failure to adequately vent your outdoor kitchen cavity could result in an explosion or fire.

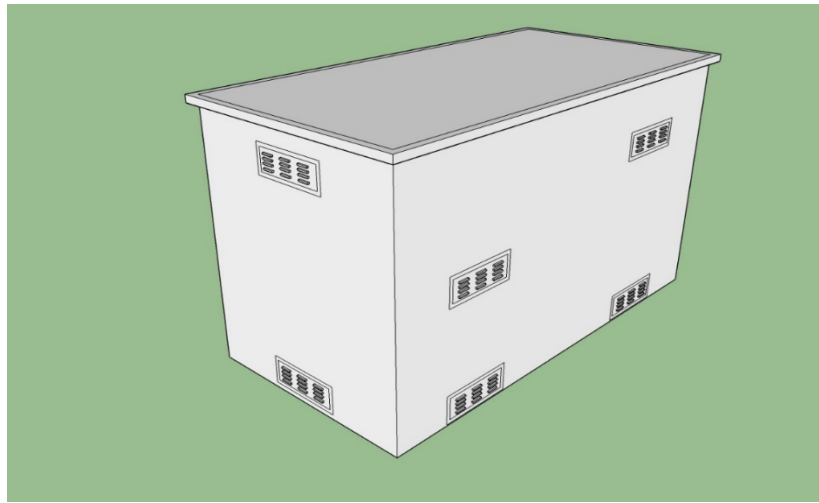
When building a gas appliance into an outdoor kitchen, it is necessary to provide adequate ventilation for the island cavity underneath. This is necessary for not only proper combustion, but also to prevent a buildup of gas. While the amount of venting required for your island will vary due to the variety of differing local codes, inner framework and design of an outdoor kitchen, the amount of gas products installed and their locations, etc, all built in applications/ islands should be ventilated in some way. Your local contractor and/or your local code authority can determine adequate ventilation for each installation. Stainless Steel vent panels are available from your dealer to cover the island venting.

The following information is important to consider when adhering to your local code requirements.

LP/Propane Gas: LP gas is heavier than air and will settle to the lowest levels of the outdoor kitchen. It is imperative to provide adequate cross ventilation for the areas where gas can accumulate at these lower levels of the island cavity. Should the Propane cylinder be located in the outdoor kitchen itself, a plenum wall is required to separate the gas source from the other areas of the outdoor kitchen (picture shown on page 24), and both the cabinets containing the gas appliances and the gas tank should be ventilated appropriately. If a plenum wall is undesirable, BLAZE offers a Propane tank drawer as an alternative.

NG/Natural Gas: Natural gas is lighter than air and will rise to the highest levels of the outdoor kitchen. It is imperative to provide adequate cross ventilation for the areas where gas can accumulate at these higher levels of the island cavity.

The following diagram shows a variety of examples of venting locations and configurations for an outdoor kitchen. These are not the only possible options for venting but instead simply some examples of the more common configurations found. Notice the middle set of vents being positioned lower on the island cavity for LP gas.



ALL GAS CONNECTION POINTS SHOULD BE TESTED FOR LEAKS AFTER INSTALLATION PRIOR TO FIRST USE OF THE GAS APPLIANCE(S).

Before installing an appliance in any island cut out, make sure that the opening is not bigger than the outside frame of the appliance unit. The appliance should rest on the lip of the frame.

Pay careful attention to the location of the gas line. It should be routed away from sources of heat, sharp edges, and aggressive surfaces and should make as few bends as possible.

Ensure the gas line connection will be accessible when appliance is installed. A safety shutoff valve is required at this gas connection point.

WARNING

The burner must be double checked for the correct placement in the appliance before operation. When finished ensure that the burners are aligned in the bracket slot. Failure to do so could result in a fire and injury.

If the outdoor kitchen countertop will overhang the face of the island, notching out the two front countertop edges will be necessary to allow the double burner to slide flush against the outer front wall to the outdoor kitchen. Due to differing personal preferences of the size of the notch out, this is recommended to be done at the point of installation so that the consumer can dictate their preference.

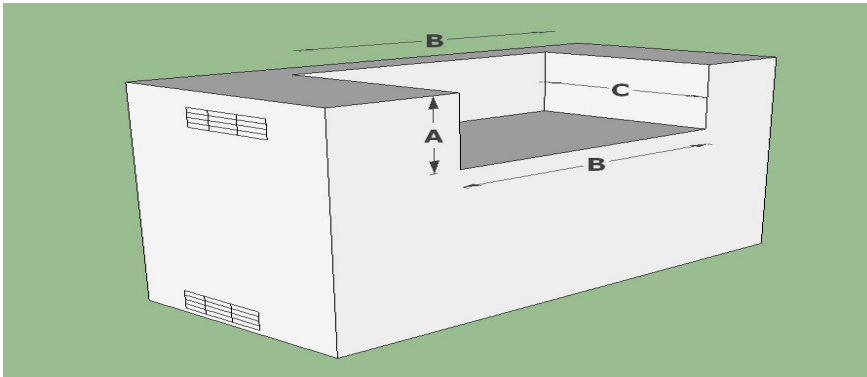
- Slide the appliance into the cut out and then attach the gas line.
- Be very careful not to kink the gas line when lowering the appliance into the cut out.
- Keep your fingers away from where the appliance will be supported on counter. Your fingers could become trapped and serious injury could occur.
- Check to make sure the appliance is level and is supported around the entire outside edge. If the appliance is not level or is unstable, use non-combustible shims under the outside lip to stabilize it.
- Perform the leak test procedure as described earlier in this manual.
- Connect the transformer to the grill, then into the electrical outlet. Be sure to follow all of the electrical safety and instructions found on page 11.

BUILDING BBQ SPECIFICATIONS

*Ensure your island cavity is adequately vented. Number of vents shown in diagram is for informational purposes only. Consult your local licensed professional for adequate requirements.

*Ensure your outdoor kitchen is constructed out of non-combustible materials.

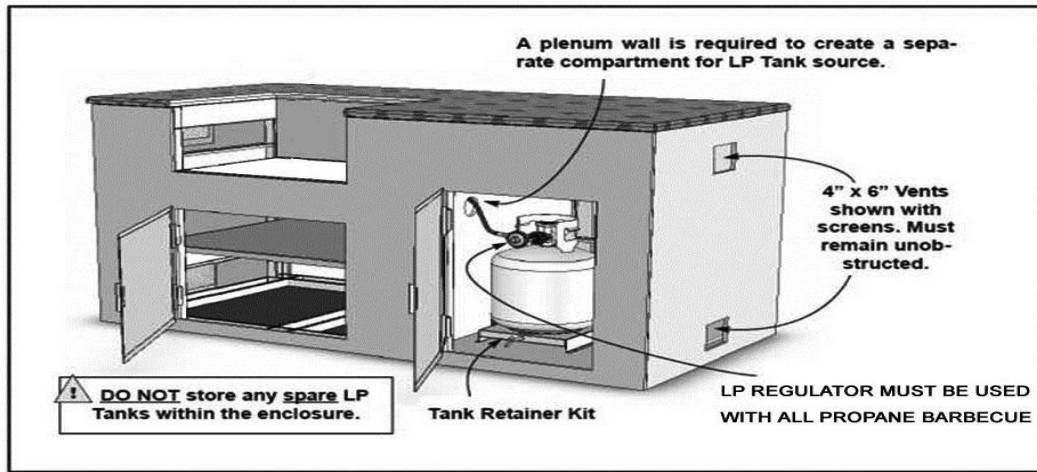
*If your outdoor kitchen is constructed of combustible materials, an insulated jacket is **REQUIRED**.



ALL BBQ ISLANDS MUST BE MANUFACTURED FROM "NON-COMBUSTIBLE" MATERIAL.

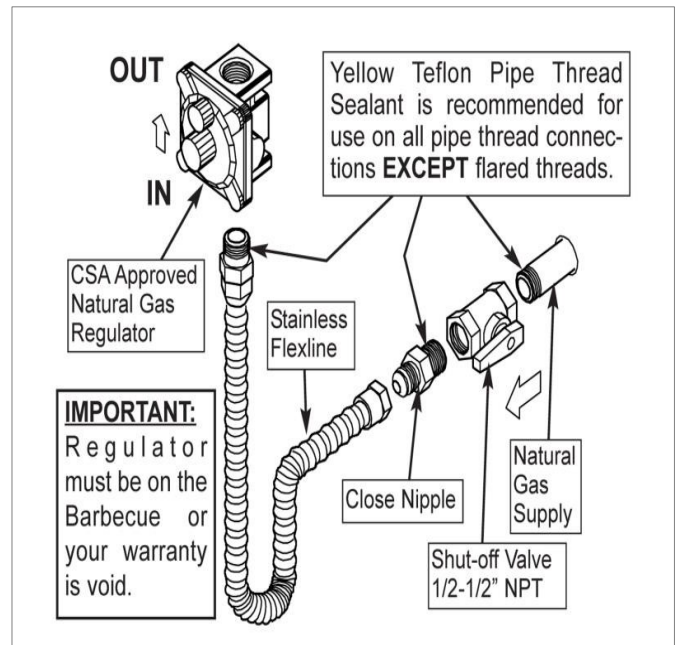
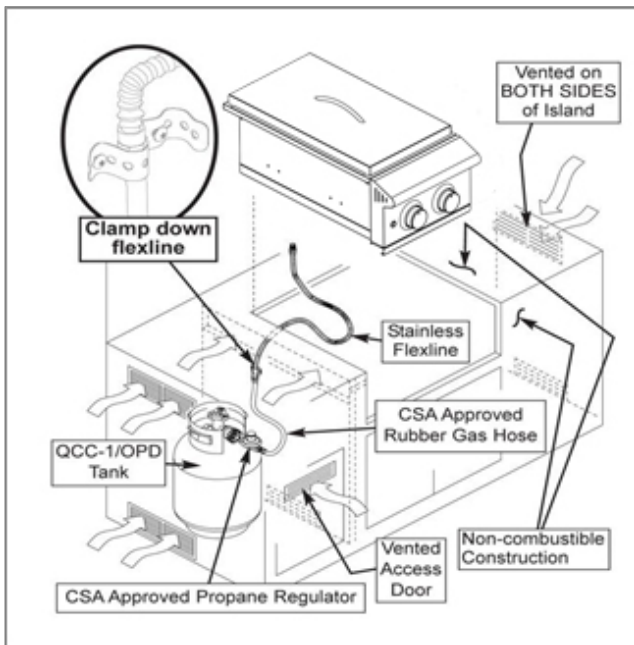
Maintain minimum clearance to adjacent combustible construction at 16" from sides & 16" from back.

MODEL	DESCRIPTION	HEIGHT	WIDTH (B)	DEPTH (C)
BLZ-SB2LTE(NG/LP)	Dbl Side Burner	8 1/2"	10 3/4"	20 3/4"



Installation Diagram
(5 Gallon LP Tank Shown)

Installation Method for Low Pressure Gas
Source – (Natural Gas Regulator Shown)



FIRST-TIME OPERATION

WARNING

Before lighting the burners inspect the gas supply piping or hose. If there is evidence of cuts, wear, or abrasion, it must be replaced prior to use. Always keep your face and body as far away from the appliance as possible when lighting. Always perform a gas leak test before each use.

Caution: Never operate the appliance unattended. The surface is extremely hot and someone can touch the hot surface and get seriously burned. All gas appliances should be attended at all times.

Prior to using your appliance, verify that all of the following is correct:

- ✓ The burner heads are free of any debris or obstruction.
- ✓ Installation of the proper gas type and regulator settings.
- ✓ The proper gas connection is complete.
- ✓ Check for gas leaks.
- ✓ Minimum clearances are maintained.
- ✓ All packaging has been removed.
- ✓ All parts and components are properly in place.
- ✓ An installer-supplied manual gas shut-off valve is fully accessible.
- ✓ LP/NG hose is clean and inspected for cuts, wear, abrasion, or leaks. Replace if necessary with a suitable UL, ETL or CSA Listed part with internally threaded connector.

Lighting the Appliance

1. Remove the top stainless steel cover.
2. Use caution when lighting burners by standing as far away from the burners as possible. Do not put your hands, arms, head or any body parts close to the appliance when lighting.
3. To ignite burners, push the burner knob in and slowly rotate counter-clockwise to the high position.

4. You will hear a loud click as the electronic lighter produces a spark. Listen for the sound of the gas igniting and look for a flame through the cooking grate. If the burner does not light on the first try, repeat immediately.
5. If the burner does not light in 5 seconds, turn the burners off and wait five minutes with the lid off until the gas clears before attempting to light it again. Repeat the procedure or try the manual lighting procedure below.
6. If the burner does not light after several attempts, immediately close all gas valves and consult an authorized service technician.
7. Upon successful lighting, repeat the process on the other burner you wish to light.
8. To shut off the burners, rotate the knob and turn to OFF. It is normal to hear a popping sound when the burners are turned off.
9. Close the valve at the gas supply.

Manually Lighting the Main Burners

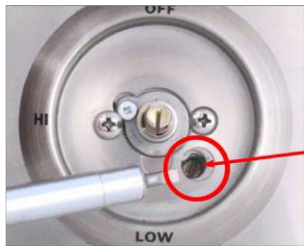
WARNING: Do not use standard size matches or cigarette lighters to perform match-lighting procedures. Serious burns can occur and lighters can explode.

1. Remove the top stainless steel cover.
2. If you have just attempted to light the burner, allow five minutes for any accumulated gas to dissipate. Use caution by standing as far away from the burners as possible. Do not put your hands, arms, head or any body parts close to the burner when lighting.
3. Hold your open flame to the top of the burner head.
4. Push in and turn the control knob to HIGH.
5. If the burner does not light after five seconds, turn the control knobs to the OFF position.
6. Wait five minutes until the gas clears before attempting to light it again.
7. If the burner does not light after several attempts, immediately close all gas valves and consult an authorized service technician.

Before cooking with your appliance for the first time, burn off any foreign matter and rid the unit of any odors by burning the main burners only on HIGH for about 10 minutes.

Flame Adjustment

- a. Become familiar with the safety instructions at the front of this manual. Do not smoke while lighting the appliance or checking the gas supply connections.
- b. Make sure that all gas connections are securely tightened and have been leak-tested with a soapy water solution – never with a flame!
- c. Turn burners to low flame setting and test for proper flame height. Flame should be stable and burning out of each burner port without danger of going out in the lowest setting. (To adjust the LOW flame setting simply light the appliance on the LOW setting and adjust the screw located under the knob on the front of the valve using a flat head screwdriver as seen in the diagram below.)



**Low flame setting
screw**

Cleaning Your Appliance

NOTE: Always wait until your appliance is completely cool before cleaning. You should clean your appliance after each use to maintain the overall appearance over the life of your appliance. After the first use, it is normal for your appliance to become discolored in certain areas from the heat produced by the burners.

Exterior Cleaning

When cleaning your appliance, always scrub and polish in the direction of the stainless steel grain. Wipe down the exterior of the appliance to remove any splatter or grease. Do not use harsh abrasives. Use a stainless steel cleaner to clean the exterior surface for a polished look. To remove baked-on foods, use a fine to medium grit non-metallic abrasive pad with a stainless steel cleaner to avoid specks of grease collecting in the grain causing the appearance of rust. Before installing the cover, always allow the surface to dry. DO NOT cover a damp appliance.

Drip Tray

Clean the drip tray after each use. Failure to do so could result in a fire. Once the appliance has cooled completely, remove the tray by pulling it all the way out until it comes free. Clean the tray with hot soapy water and re-install. If using an oven cleaning agent, be sure to carefully follow the manufacturer's instructions to avoid damage to the stainless steel.

Cooking Rack

Brush off any debris with a stainless steel bristle brush.

Burners

The appliance must be completely cooled before proceeding. Make sure the gas supply is off and all control knobs are in the "OFF" position. You must remove all cooking grate to expose the main burners in the appliance. Keep all burner ports free of obstructions with a small metal object. Clean out any debris inside the burner head and inspect the burner inlet to ensure it is free of any obstructions. Use a rod or pipe cleaner to remove any debris within the burner if necessary.

SPIDER AND INSECT WARNING

Spiders and other insects can nest in the burner of this and any other burner, which causes the gas to flow from the front of the burner. This dangerous "condition" can cause a fire behind the valve panel, damaging the burner and making the burner unsafe to operate. Inspect the burners before each use. Symptoms of insect nests can include any of the following conditions:

- 1) The smell of gas in conjunction with the burner flames appearing yellow.
- 2) The burner does not reach temperature.
- 3) The burner heats unevenly.
- 4) The burner makes popping noises.

⚠ WARNING

Fuel Conversion

CAUTION: This should only be performed by a licensed gas professional.

(A video converting your blaze grill is located on the blaze website to assist with the below instructions, www.blazegrills.com)

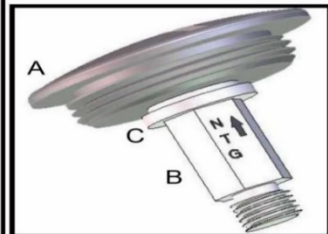
Convertible Gas Regulator (if applicable):

Currently all Natural Gas burners are supplied with a regulator which is appropriate for use with Natural Gas or low pressure Propane.

1. When converting to Propane Gas, the most common Propane canister used is a smaller sized portable canister (typically 5 gallons or 20 pounds). The pre-installed regulator will need to be converted to LP gas (see below) and add a secondary low pressure hose and regulator with an outbound pressure set to approximately 11" of water column pressure. If an individual is intending on using Propane provided from a larger tank permanently installed on location, the regulator included with the appliance will only need to be converted for use with LP fuel (see NG-LP Regulator Conversion below). Please be aware that this included regulator can only withstand an inbound pressure of .5 PSI or roughly 14 inches of water column pressure. Any higher pressure on location will have to be further regulated before connecting to the regulator on the appliance. Please consult your local Propane gas provider to confirm the gas pressure on the supply line feeding the appliance.
2. If converting to Natural Gas, a low pressure regulator with an outbound pressure set to 4" of Water Column pressure must be used.
3. With either setup, remember to always check for gas leaks after the job is complete (see checking for gas leaks).



NG - LP Regulator Conversion

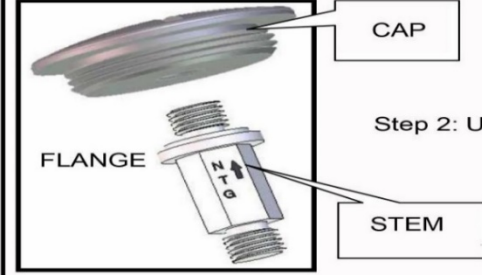


A
C
B

Cap is attached to regulator and in this picture it is shown as "set to Natural Gas".

Step 1: Remove Cap by Unscrewing it.

A= Cap B= Stem C= Flange




CAP

FLANGE

STEM

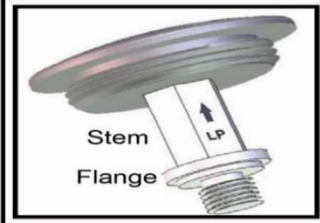
Step 2: Unscrew the Stem from the cap



180°

Flange

Step 3: Turn the Stem 180° so that the Flange is at The Bottom.



Stem

Flange

Step 4: Screw the Stem back into the Cap and then reinstall the Cap/Stem Assembly back into the Regulator.

Note: Hand Tight Only.

NOTE: for a "FULL" conversion make sure you replace all of the orifices located in the Valves including the Back Burner valve with the LP orifices provided in the Conversion Kit

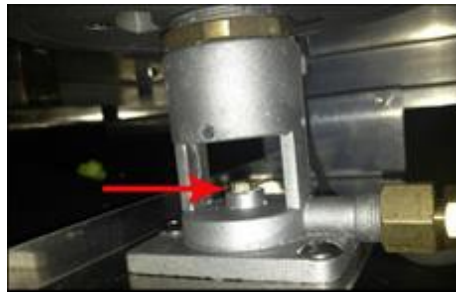
Fuel (Gas) Conversion Instructions for BLAZE Gas Burners.

There will be an orifice conversion kit in each Side Burner appropriate for the opposite gas type. The kit will include two orifices to be replaced.

CAUTION: This should only be performed by a licensed gas professional.

Burners:

1. You must remove the cooking grate to expose the main burners in the appliance.
2. Pull up slightly on side burner head and rotate to the side. This will expose the orifice where the gas enters into the burner. (pic below)



3. Remove orifice and replace with orifice of desired gas type and reassemble.
4. If unsure of full procedure please contact your dealer.

Troubleshooting

Smell of Gas is Present	Check for loose connections or cracks in the gas line. Perform a leak test with soapy water or a leak testing solution. DO NOT TRY AND TEST WITH A FLAME. If you find a leak, immediately shut off the gas supply and call a gas professional to fix the problem.
Burner Does Not Ignite	Check position of igniting pin. It should jump over to the brass burner. Clean area where contact will be made from spark tip to burner. Make sure there is a blue spark at the electrode tip to burner. Make sure the wire is connected correctly. Make sure the orifice is free of any grease or dirt. Make sure burner "slit" is aligned with igniter. <small>ALWAYS TURN OFF GAS WHEN TESTING</small>
Yellow Flame	Color on flame should be mostly blue. There should be a yellow tip but if flame is completely yellow, clean burner and substances around burner to remove oil or debris on the burner, burner pedestal.
Plugged Orifice	Remove orifice and clean with a fine wire.
No Gas To Burner	Check shut off valve to see if it is in the ON position – gas may be turned off.

Warranty Registration

If you have purchased a Blaze Series Burner you must register your product within 30 days of purchase to validate the warranty and maintain your original receipt to get parts for the appliance. You may register your appliance at *blazegrills.com* by selecting Support, and then selecting Register your Product. You may also fill out pages 33-34 and mail to the address located at the bottom of the form. The warranty is for original owners only at the original site of delivery and cannot be transferred to new owners. You must retain your sales slip or invoice. Blaze Burners are warranted for normal single family/residential use only.

Installation, repair and maintenance work should be performed by an authorized service technician. Work by unqualified persons could be dangerous and will void the warranty. All Natural and LP Gas appliances must have a qualified installer complete the installation for the warranty to be in effect. The incorrect installation of the Blaze gas appliance will void the warranty. Please call Blaze Outdoor Products for more information on correct installation of the gas appliance.

Blaze Outdoor Products shall not be liable under this or any implied warranty for incidental or consequential damages and Blaze Outdoor Products liability is limited to the purchase price of the appliance only. This warranty gives you specific legal rights, and you may also have other rights, which may vary from state to state. This warranty is applicable in the United States and Canada only. No one else is authorized to perform any obligations under this warranty.

Improper Maintenance, high cooking temperatures, excessive humidity, chlorine, fertilizers, lawn pesticides, chemicals, and salt can affect the Stainless Steel components and for these reasons, the warranties DO NOT COVER DISCOLORATION, SURFACE RUST, OR RUST, unless there is a loss of structural integrity / rust through of the appliance components. This warranty covers defects in material and workmanship.

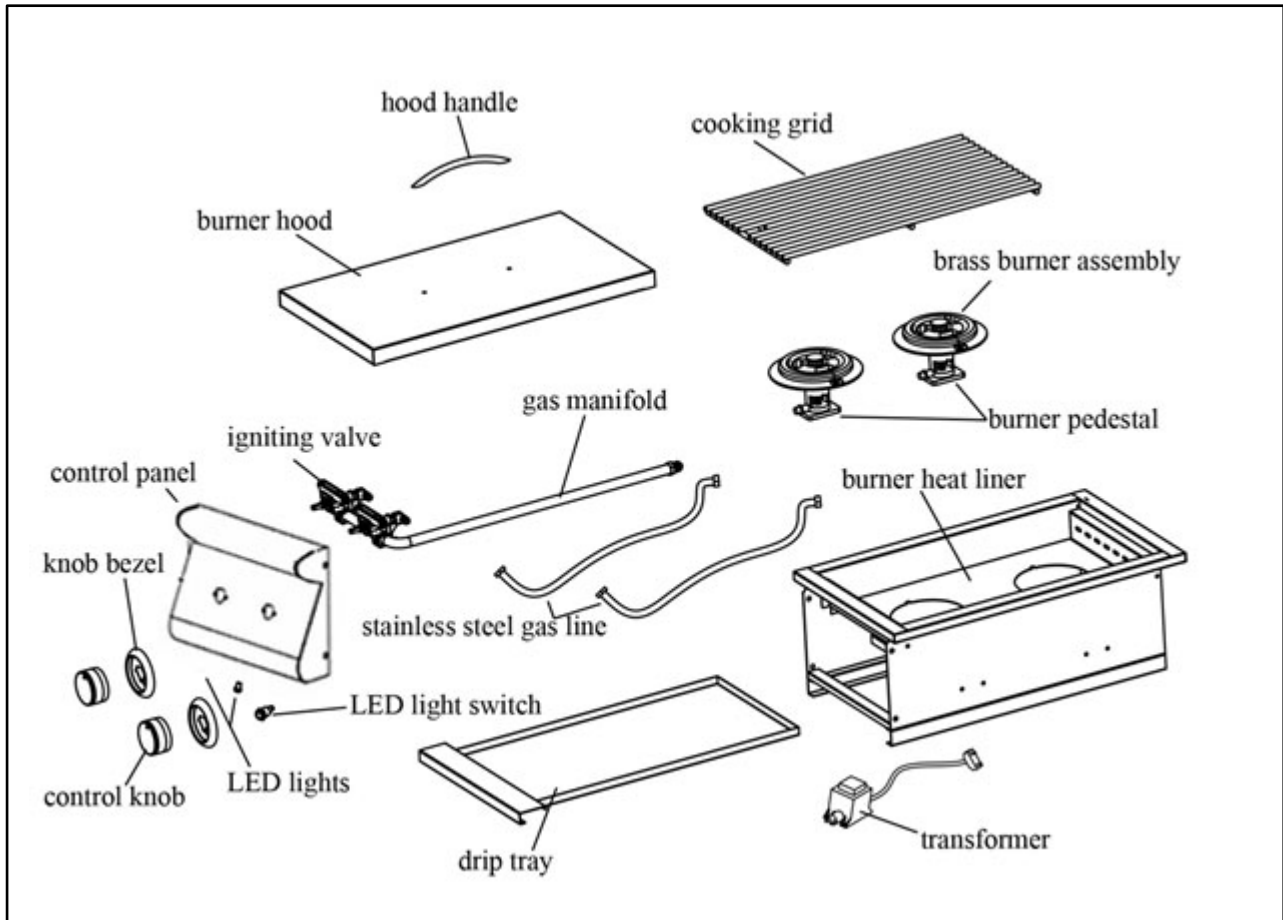
WARRANTY ON PARTS:

- Burners –Lifetime (Parts Only)
- Burner Grate – Lifetime (Parts Only)
- Body + Lid– Lifetime (Parts Only)
- Valves– Lifetime (Parts Only)
- Ignition– 1 year (Parts Only)

Consumers are responsible for all labor and shipping cost associated with warranty parts. All warranty claims are subject to manufacturer review. Please make sure to have your sales receipt information and product serial number located on the outside left side panel of the appliance. All replacement parts can be purchased through your local stocking dealer.

SIDE BURNER TERMINOLOGY

Double Side Burner



Locating the Product Serial Number:

The serial number for your BLAZE appliance is located on the left hand outside of the Firebox (see picture on page 12.) You will need this number to properly register your appliance and activate coverage. Write this information in the space provided below for your records

Appliance model:

Appliance serial number:

Type of fuel being used: Propane Natural Gas

Date purchased:

Date installed:

Blaze dealer's name:

Blaze dealer's address:

Blaze dealer's phonenumber:

Blaze Product Registration

Please take a minute to let us know what you bought. This makes sure we keep you up to date and have your info ready if you ever need warranty help! You may register your product electronically on the blaze website under "support".

First _____ Last _____

Email _____

Phone _____

Street Address Address _____

Line 2 _____

City _____ State / Province / Region _____

Zip / Postal Code _____ Country _____

What is the model number of the Blaze Product purchased?

What is the serial number on the Blaze product?

Where did you buy your Blaze product?



GUIDE D'UTILISATION ET D'ENTRETIEN MODÈLE DE BRÛLEUR DOUBLE CÔTÉ BLZ-SB2LTE (NG/LP)

DANGER - SI VOUS SENTEZ UNE ODEUR DE GAZ :

- 1) Fermez l'alimentation en gaz de l'appareil à sa source.
- 2) Éteignez toute flamme nue.
- 3) Si une odeur de gaz persiste, éloignez-vous de votre appareil et contactez immédiatement votre fournisseur de gaz ou les pompiers.

AVERTISSEMENT

- 1) Ne pas stocker ou utiliser d'essence ou d'autres liquides ou vapeurs inflammables à proximité de cet appareil ou de tout autre appareil.
- 2) Une bouteille de GPL non raccordée ne doit pas être entreposée à proximité de cet appareil ou de tout autre appareil.

ATTENTION :

INSTALLATEUR : VEUILLEZ LAISSER CES INSTRUCTIONS AU CONSOMMATEUR.

CONSOMMATEUR : VEUILLEZ LIRE ET CONSERVER CES INSTRUCTIONS POUR RÉFÉRENCE FUTURE ET AVANT L'INSTALLATION ET L'UTILISATION.

- INFORMATIONS DE CONTACT -

Produits d'extérieur Blaze

6620 Greenwell Springs Rd, Baton Rouge, LA 70805

Téléphone : 866-976-9510

CustomerService@BlazeGrills.com

www.BlazeGrills.com

Livre d'instruction BLAZE

Page | 1



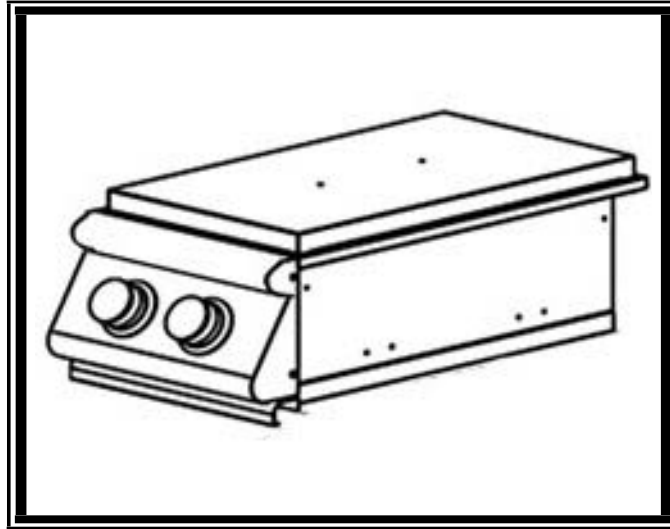
Table des matières

I.	Spécifications du brûleur	4
II.	Sécurité générale et avertissements d'installation	5-8
	i. Emplacement de l'appareil	8-10
III.	Avertissements sur la sécurité et l'installation électrique	11-12
IV.	Avertissements sur la sécurité et l'installation du gaz	12-13
	i. Vérification des fuites de gaz	14-16
	ii. Déballage de l'unité	16
V.	Connexions de gaz	17
	i. Besoins en gaz naturel	17
	ii. Gaz propane liquide et exigences relatives aux réservoirs	17-18
	iii. Transport et stockage du gaz de pétrole liquéfié	18-19
VI.	Installation de l'appareil dans un îlot de barbecue	20
	i. Ventilation de la cuisine extérieure	21-23
	ii. Spécifications du barbecue de construction + schémas d'instructions	23-24
VII.	Première opération	25
	i. Allumer l'appareil	25-26
	ii. Allumer manuellement l'appareil	26
	iii. Réglage de la flamme	26-27

VIII. Nettoyage de votre appareil	27-28
IX. Conversion de carburant	28
i. Régulateur de gaz	28-29
ii. Brûleurs	30
X. Dépannage	30
XI. Enregistrement de la garantie	31
XII. Pièces détachées	32
XIII. Numéro de série du produit	33
XIV. Enregistrement du produit BLAZE	34

CE CE MANUEL S'APPLIQUE AU PRODUIT BLAZE SUIVANT :

DOUBLE BRÛLEUR LATÉRAL COULISSANT

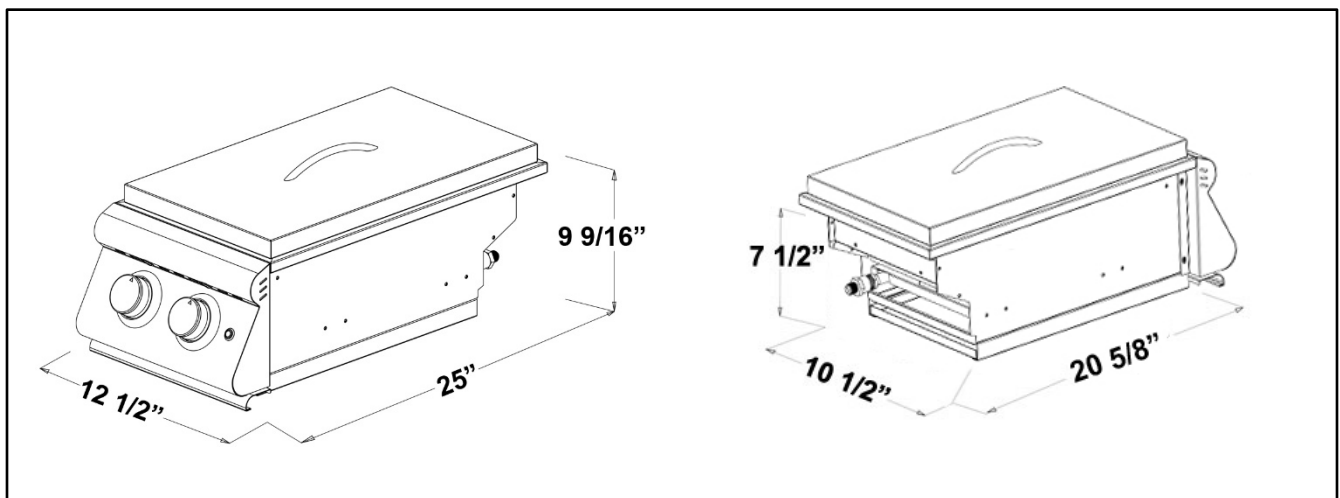


SPÉCIFICATIONS DU PRODUIT

NOTE : Faites **TOUJOURS** mesurer l'équipement par l'entrepreneur avant de commencer tout projet.

Découpe du double brûleur latéral

8 1/2" H x 10 3/4" W x 20 3/4" D



INFORMATION IMPORTANTE EN MATIÈRE DE SÉCURITÉ

WARNING

Veillez lire ce manuel attentivement et avant d'utiliser votre brûleur BLAZE pour assurer un fonctionnement correct, l'installation, l'entretien et pour réduire le risque d'incendie, de brûlure ou d'autres blessures. Ce manuel doit être conservé pour votre information.

NOTE :

Une installation et un entretien ou une maintenance incorrects peuvent entraîner des dommages matériels, des blessures ou la mort.

Ne pas utiliser cet appareil sans avoir lu ce manuel.

Toutes les installations et conversions au gaz doivent être effectuées un agent de service autorisé.



par un technicien qualifié ou

REMARQUE : Cet appareil n'est pas destiné à un usage commercial.

POUR VOTRE SÉCURITÉ

Si vous sentez une odeur de gaz :

1. Fermez le gaz de l'appareil.
2. Eteignez toute flamme nue.
3. Si l'odeur continue, immédiatement appelez votre fournisseur de gaz ou votre service d'incendie.

Sécurité générale et avertissements d'installation

Le fonctionnement sûr du brûleur BLAZE dépend de son installation correcte. Seuls un installateur professionnel qualifié et un technicien de service doivent effectuer les réglages et l'entretien du brûleur. Un emplacement approprié et une utilisation correcte sont essentiels pour assurer un fonctionnement sûr et continu sans problème. Toute modification non approuvée apportée à l'appareil annulera la garantie du produit.

REMARQUE : Le fabricant ne peut être tenu responsable des dommages ou des blessures causés par une utilisation incorrecte de cet appareil.

Lorsque vous utilisez votre appareil BLAZE, veuillez lire et suivre ces précautions de base :

WARNING

Pour réduire le risque d'incendie, de choc électrique ou de blessure, lisez et suivez ces précautions de base avant d'installer/de faire fonctionner votre appareil.

INSTALLATION D'APPAREILS

Cet appareil à gaz doit être installé conformément à tous les codes locaux.

Si l'installation est prévue dans une zone dépourvue de codes locaux, l'appareil à gaz doit être installé conformément au National Fuel Gas Code ANSI Z223.1 et au storage and handling of liquefied petroleum gases, ANSI/NFPA 58 ou au code d'installation du gaz naturel et du propane CSA B149.1.



AVERTISSEMENT DE LA PROPOSITION 65 DE L'ÉTAT DE CALIFORNIE

AVERTISSEMENT : Ce produit peut vous exposer à des produits chimiques, notamment le chrome (composés hexavalents), qui sont reconnus par l'État de Californie comme pouvant causer le cancer et des anomalies congénitales ou d'autres problèmes de reproduction. Pour plus d'informations, consultez le site : www.P65Warnings.ca.gov

AVERTISSEMENT : Une installation, un réglage, une modification, un service ou une maintenance incorrects peuvent entraîner des blessures ou des dommages matériels. Lisez attentivement les instructions d'installation, d'utilisation et d'entretien avant d'installer ou d'entretenir cet équipement.

WARNING

RISQUE D'EXPLOSION

N'utilisez pas l'appareil comme lieu de stockage de matériaux inflammables. Gardez la zone dégagée et exempte de matériaux combustibles, d'essence et d'autres vapeurs et liquides inflammables. Le non-respect de

Dans le Massachusetts : Tous les produits au gaz doivent être installés par un plombier ou un installateur de gaz agréé du Massachusetts. Une vanne de gaz manuelle à poignée en "T" doit être installée sur la ligne d'alimentation en gaz de cet appareil. Ceci s'applique aux installations permanentes de gaz naturel et de propane. Ceci ne s'applique pas aux installations portatives au propane utilisant un réservoir de 20 livres.

Ayez un extincteur ABC accessible à tout moment. N'essayez jamais d'éteindre un feu de graisse avec de l'eau ou d'autres liquides.

IMPORTANT : Consulter l'AHJ (Authority Having Jurisdiction) ou l'entrepreneur local pour toute incertitude.

WARNING

Cette unité est destinée à un usage extérieur uniquement !

Ne pas faire fonctionner l'appareil dans un bâtiment, un garage ou tout autre endroit fermé. Cela pourrait entraîner une accumulation de monoxyde de carbone qui pourrait provoquer des blessures ou la mort. Les brûleurs latéraux ne sont pas conçus ou prévus pour être installés près d'une fenêtre ou d'un conduit d'aération qui entre dans la maison.

WARNING

Pour un fonctionnement correct, les brûleurs doivent être alignés avec l'orifice de la vanne et logés dans le boîtier du brûleur. Le non-respect de cette consigne peut entraîner un incendie et des blessures.

ATTENTION AUX ARAIGNÉES



ATTENTION : LES TUBES DU BRÛLEUR DOIVENT ÊTRE INSPECTÉS ET NETTOYÉS AVANT CHAQUE UTILISATION.

Les araignées et les petits insectes tissent parfois des toiles ou font des nids dans les tubes du brûleur. Ces toiles peuvent entraîner une obstruction du flux de gaz, ce qui peut provoquer un incendie dans et autour des tubes du brûleur. Ce type de feu est connu sous le nom de "FLASH-BACK" et peut causer de sérieux dommages à votre appareil et créer des conditions de fonctionnement dangereuses pour l'utilisateur. Bien qu'un tube de brûleur obstrué ne soit pas la seule cause de "FLASH-BACK", c'est la cause la plus fréquente, et une inspection et un nettoyage fréquents des tubes de brûleur sont nécessaires.

POUR VOTRE SÉCURITÉ

1. Ne stockez pas et n'utilisez pas d'essence ou d'autres vapeurs et liquides inflammables à proximité de cet appareil ou de tout autre appareil.
2. Ne stockez pas de bouteille de propane/butane (G31-G30) (qui n'est pas connectée pour être utilisée) à proximité de cet appareil ou tout autre appareil.

REMARQUE : Vérifiez les codes locaux de construction auprès de la ville et du service des incendies. Un permis peut être exigé pour la construction

N'essayez pas de chauffer des récipients non ouverts sur le brûleur, car la pression pourrait s'accumuler et faire exploser le récipient.

N'utilisez jamais de charbon de bois ou tout autre combustible solide dans l'appareil.

Ne cuisinez jamais sans la lèchefrite en place.

N'utilisez jamais cet appareil sous l'influence de l'alcool ou de drogues.

Veillez lire toutes les instructions avant d'installer ou d'utiliser votre appareil à gaz afin d'éviter toute blessure et tout dommage à l'appareil.

- Tous les appareils à gaz deviennent chauds pendant leur utilisation. Soyez extrêmement prudent lorsque vous utilisez l'appareil.
- Ne pas toucher les surfaces chaudes.
- Une surveillance étroite est nécessaire lorsque cet appareil ou tout autre appareil est utilisé à proximité d'enfants. Tenez les enfants éloignés de l'appareil pendant son fonctionnement et jusqu'à ce qu'il ait refroidi.
- Ne stockez pas de bouteille ou de réservoir de gaz liquéfié qui n'est pas connecté à l'appareil, dans la zone de cet appareil ou de tout autre appareil. Ne stockez jamais une bouteille ou un réservoir de GPL à l'intérieur ou à la portée des enfants.
- Ne testez jamais l'appareil pour détecter les fuites de gaz à l'aide d'une allumette allumée ou de toute autre flamme nue ; voir les procédures de test de fuite utilisant des solutions d'eau et de savon - voir la section sur le test de fuite.

- L'utilisation d'accessoires, de régulateurs ou de composants non recommandés par le fabricant de l'appareil peut entraîner des blessures et annuler la garantie.
- N'allumez jamais l'appareil avec le couvercle en acier inoxydable en place et assurez-vous que les brûleurs sont positionnés et assis sur les vannes de gaz et sur le support de brûleur.
- Ne vous penchez jamais au-dessus de la surface de cuisson lorsque vous allumez ou faites fonctionner l'appareil.
- Utilisez des ustensiles de cuisson avec des poignées en bois et des gants de cuisine isolés lorsque vous utilisez l'appareil.
- Ne rangez rien dans l'appareil. Veillez à ne pas oublier d'aliments dans l'appareil ; les articles oubliés pourraient fondre ou prendre feu lorsque l'appareil est allumé.
- Pour éviter les blessures, n'utilisez pas d'accessoires qui ne sont pas recommandés par le fabricant.
- Avant de nettoyer l'appareil, débranchez le transformateur et "déclenchez" le disjoncteur.
- N'utilisez jamais l'appareil dans des conditions venteuses. Si l'appareil est situé dans une zone où le vent est constant (bord de mer, sommet d'une montagne, etc.), un brise-vent sera nécessaire. Les vents qui soufflent dans ou sur le brûleur peuvent entraîner de mauvaises performances.
- Ne faites jamais fonctionner le brûleur avec le couvercle en place.
- Les enfants ne doivent pas être laissés seuls ou sans surveillance dans une zone où un appareil est utilisé. Ils ne doivent jamais être autorisés à toucher, s'asseoir ou se tenir debout sur une partie quelconque de l'appareil.
- Ne stockez pas d'objets susceptibles d'intéresser les enfants dans les armoires situées au-dessus de l'appareil ou dans l'appareil. Les enfants qui grimpent sur l'appareil pour atteindre ces articles pourraient être gravement blessés.
- Portez des vêtements appropriés lorsque vous utilisez cet appareil. Les vêtements amples ou suspendus ne doivent jamais être portés pendant l'utilisation de l'appareil.
- Ne laissez pas l'appareil sans surveillance pendant son utilisation.
- N'utilisez pas d'eau sur les feux de graisse ! Une violente explosion de vapeur pourrait en résulter. Étouffez plutôt le feu avec un extincteur ABC polyvalent.

Emplacement de l'appareil

Plus important encore, il s'agit d'un appareil d'extérieur. Veillez à ce que votre appareil soit placé à l'écart de tout ce qui peut prendre feu. *Cet appareil ne doit en aucun cas être utilisé à l'intérieur. Cela inclut garages ou tout autre endroit fermé.* Cet appareil de cuisson au gaz pour l'extérieur n'est pas approuvé pour être installé dans ou sur un véhicule récréatif et/ou un bateau. Les brûleurs BLAZE sont pour l'usage de la famille unique/résidentiel seulement.

Pour déterminer un emplacement approprié, il faut tenir compte de facteurs tels que l'exposition au vent, la proximité des voies de circulation et la nécessité de maintenir les lignes d'alimentation en gaz aussi courtes que possible.

- Ne stockez pas de matériaux combustibles, d'essence ou de liquides ou vapeurs inflammables autour de l'appareil.
- Ce brûleur BLAZE doit être placé à l'extérieur uniquement. Comme avec tout appareil à gaz, du monoxyde de carbone nocif est produit pendant le processus de combustion qui ne devrait pas être autorisé à s'accumuler dans un espace confiné. Veuillez noter qu'étant donné que l'air chaud monte au-dessus du brûleur BLAZE lorsqu'il fonctionne, il faut éviter les endroits couverts. Ne placez pas le brûleur BLAZE à un endroit où un surplomb ou un auvent pourrait le couvrir.
- N'obstruez PAS le flux d'air de combustion et de ventilation vers cet appareil.
- Maintenez les cordons d'alimentation électrique et les tuyaux d'alimentation en carburant à l'écart des surfaces chauffées et/ou des bords tranchants et agressifs.
- Enceinte non combustible : Le brûleur BLAZE doit être installé dans une ENCLOSSE NON COMBUSTIBLE SEULEMENT. La détermination de la nature combustible ou non combustible d'un emplacement est faite par le commissaire aux incendies local, l'inspecteur des bâtiments ou l'autorité locale de sécurité ayant juridiction.
- Dégagement des matériaux combustibles : Assurez-vous que votre appareil reste à une distance d'au moins 16" des côtés et 16" de l'arrière de tout matériau combustible tel que le bois, le plâtre, le papier et les plantes. N'entreposez pas de matériaux combustibles, d'essence ou de liquides ou vapeurs inflammables autour de l'appareil.
- Ventilation adéquate : Assurez-vous qu'il y a une ventilation adéquate pour l'appareil et/ou la cavité de l'îlot. Ceci est nécessaire non seulement pour une bonne combustion, mais aussi pour éviter l'accumulation de gaz. Bien que la quantité de ventilation requise varie au cas par cas, consultez votre professionnel agréé local et le code local pour connaître les exigences en matière de ventilation adéquate. Maintenez les ouvertures de ventilation de l'enceinte libres et dégagées de tout débris.
- Surface ferme et plane : Utilisez votre appareil uniquement sur une surface ferme et plane. Cet appareil n'est pas conçu pour les véhicules de loisirs et ne doit pas être installé sur un bateau ou une embarcation marine.
- Protection contre les intempéries : Gardez l'appareil à l'abri des intempéries, notamment de la pluie et du vent. Le vent peut refouler la chaleur derrière le panneau de commande, ce qui peut provoquer

une fuite de gaz, endommager l'appareil et causer des blessures.

- Accès pour l'entretien : Lorsque votre appareil est installé, vous devez pouvoir accéder à la ligne d'alimentation en gaz, y compris la tuyauterie ou le tuyau de gaz, le régulateur de gaz, la bouteille de gaz et tous les robinets d'arrêt. Laissez un accès libre à l'ensemble du tuyau d'alimentation en gaz et au régulateur.
- Fermetures partielles : De nombreuses arrière-cours comportent des zones partiellement fermées, comme des balcons et des pergolas. Dans certains cas, il est difficile de décider si ces zones partiellement fermées doivent être classées comme des zones intérieures, notamment en termes de ventilation permanente (non fermable). Consultez l'AHJ (Authority Having Jurisdiction) ou l'entrepreneur local en cas d'incertitude. Cet appareil de cuisson au gaz d'extérieur ne doit pas être situé sous une construction aérienne.

Avertissements de sécurité et d'installation électrique

Les rallonges peuvent être utilisées si l'on fait attention à leur utilisation. Si une rallonge est utilisée :

- La puissance électrique indiquée du cordon ou de la rallonge doit être au moins aussi élevée que la puissance électrique de l'appareil.
- Le cordon doit être disposé de manière à ne pas toucher les surfaces chaudes, les bords tranchants ou à ne pas tomber sur le comptoir ou la table (où il pourrait être tiré ou trébucher involontairement).

Les rallonges d'extérieur doivent être utilisées avec des produits adaptés à une utilisation en extérieur. Elles sont marquées en surface par les lettres suffixes "W" ou "W-A" et par une étiquette indiquant "Convient pour les appareils d'extérieur".

Pour vous protéger contre les chocs électriques, le cordon d'alimentation et la fiche doivent être maintenus au sec et hors du sol. Ne nettoyez pas ce produit avec de l'eau pulvérisée ; ne vaporisez pas de nettoyeurs dans la zone de la douille de la lampe.

L'essence, l'essence à briquet ou d'autres liquides et vapeurs inflammables ne doivent jamais être stockés à proximité de cet appareil ou de tout autre appareil.

Avant l'installation ou l'entretien, coupez l'alimentation électrique de la zone de travail en retirant le fusible, en "déclenchant" le disjoncteur ou en débranchant l'appareil.

REMARQUE : Utilisez un disjoncteur de 15 AMP avec une protection GFI.

REMARQUE : Ce gril utilise un "Transformateur" pour fournir du courant aux lumières LED et aux lumières internes. Ce diagramme vous indique l'emplacement des connexions.

Maintenez le cordon d'alimentation électrique et le tuyau d'alimentation en carburant à l'écart des surfaces chauffées, des bords tranchants et des gouttes de graisse.

Assurez-vous que votre appareil est correctement installé et mis à la terre par un technicien qualifié, conformément aux codes en vigueur. Pour garantir la sécurité électrique de cet appareil, une continuité doit exister entre l'appareil et un système de mise à la terre efficace. Il est impératif que cette exigence de sécurité de base soit respectée. Le fabricant ne peut être tenu responsable des dommages causés par l'absence ou l'inadéquation d'un système de mise à la terre efficace.

N'utilisez pas d'appareil dont le cordon ou la fiche d'alimentation est endommagé(e) et n'utilisez pas d'appareil qui fonctionne mal ou qui a été endommagé de quelque manière que ce soit. Si cela se produit, renvoyez l'appareil au centre de service agréé le plus proche pour examen, réparation ou réglage.

Cet appareil est conforme à tous les codes de sécurité électrique et aux règlements de mise à la terre. Installez l'appareil conformément aux codes locaux I.A.W. ou au National Electrical Code ANSI/NFPA 70 ou CSA C22.1 en leur absence.



les codes uniformes de règlements de mise à la terre conformément aux codes Electrical Code ANSI/NFPA

Avertissements sur la sécurité et l'installation du gaz

- Tous les raccordements au gaz doivent être effectués par un technicien professionnel qualifié et conformément aux codes et ordonnances locaux. L'installation doit se conformer aux codes locaux ou, en l'absence de codes locaux, avec soit le National Fuel Gas Code, ANSI Z223.1/NFPA 54, ou CAN/CGA-B149.1, Code d'installation du gaz naturel ou CAN/CGA-B149.2, Code d'installation du propane.

- Vérifiez toujours la plaque signalétique pour vous assurer que l'alimentation en gaz à laquelle vous vous connectez correspond au type de gaz pour lequel l'appareil est fabriqué.
- Vérifiez l'étiquette signalétique sur l'extérieur gauche du brûleur double face.

**EMPLACEMENT DE LA
PLAQUE DE**



- Ne tordez pas le tuyau d'alimentation en gaz.
- Avant chaque utilisation, vérifiez visuellement que le tuyau d'alimentation en gaz ne présente pas de fissures, de coupures ou d'usure excessive. Remplacez le tuyau si nécessaire. Vérifiez l'absence de fuites de gaz avant chaque utilisation.
- Spécifications du gaz : Assurez-vous que le gaz fourni à l'appareil est conforme au modèle que vous avez choisi. Un appareil au gaz naturel nécessite du gaz naturel pour fonctionner ; un appareil au GPL nécessite du gaz propane liquide pour fonctionner.
- Ne raccordez jamais l'appareil à une ligne d'alimentation en gaz non régulée. Les appareils fonctionnant sans régulateur ne sont pas sûrs et ne seront pas réparés tant qu'ils n'auront pas été installés correctement et en toute sécurité. Un fonctionnement non sécurisé sans régulateur de gaz annule la garantie de l'appareil.
- Les appareils fonctionnant au gaz NG (gaz naturel) doivent être installés avec le régulateur NG fourni avec l'appareil et réglés sur une pression de 4,0 pouces de colonne d'eau.
- Les appareils fonctionnant au gaz propane liquide (LP) doivent être installés avec un régulateur LP réglé sur une pression de 11 pouces de colonne d'eau.
- Veuillez contacter votre revendeur et faire appel à un entrepreneur ou un installateur agréé pour convertir votre appareil à un autre type de gaz.
- VÉRIFIEZ QUE LE TUYAU D'ALIMENTATION EN GAZ N'ENTRE PAS EN CONTACT AVEC UNE SURFACE CHAUDE, DES BORDS TRANCHANTS OU RUGUEUX DE L'APPAREIL OU DE LA CONSTRUCTION DE LA CUISINE EXTÉRIEURE. NE PLIEZ PAS LE TUYAU DE GAZ LORS DE L'INSTALLATION.

La conception de l'appareil autonome à GPL est certifiée pour être utilisée avec une bouteille standard de 20 lb, de 12 1/4" de diamètre et de 18" de hauteur, avec des filets de raccordement à droite, et c'est la taille maximale

du réservoir de GPL à utiliser. La bouteille doit être marquée conformément aux dernières spécifications du ministère des Transports des États-Unis pour les bouteilles de GPL. (DOT. CFR49 ou les normes nationales du Canada CAN/CSA-B359 Cylindres, sphères et tubes pour le transport de marchandises dangereuses ; une bouteille de propane avec un dispositif anti-débordement ODP doit être utilisée à tout moment.)

IMPORTANT : Ne raccordez jamais l'appareil à une alimentation en gaz non réglementée.

S'il existe des codes locaux qui s'appliquent aux brûleurs extérieurs, vous devrez vous y conformer. L'installation doit être conforme aux codes locaux ou, en l'absence de codes locaux, au National Fuel Gas Code, ANSI Z223.1/NFPA 54 et au Natural Gas Installation Code, CSA B149.1. Toutes les installations de gaz naturel doivent être conformes aux codes locaux ou, en l'absence de codes locaux, au code national du gaz combustible, ANSIZ2223.1a--1998.

S'il existe des codes locaux qui s'appliquent aux brûleurs extérieurs, vous devrez vous y conformer. L'installation doit être conforme aux codes locaux ou, en l'absence de codes locaux, au Code d'installation du propane, CSA B149.1, ou au Code de stockage et de manutention du propane, B149.2, selon le cas.

L'installation au Canada doit être conforme à la norme CAN/CGA- B149.2.

Un entrepreneur agréé ou un représentant de la compagnie de gaz locale doit effectuer tous les raccordements au gaz.

Assurez-vous que l'installation qui alimente l'appareil est équipée d'un robinet d'arrêt placé à proximité de l'appareil et facilement accessible.

L'appareil et son robinet d'arrêt individuel doivent être déconnectés du système de tuyauterie d'alimentation en gaz pendant tout essai de pression de ce système.

WARNING

AVERTISSEMENTS DE FUITE DE GAZ

- LA RECHERCHE ET/OU LA RÉPARATION D'UNE FUITE DE GAZ N'EST PAS UNE PROCÉDURE "À FAIRE SOI-MÊME" - FAITES APPEL À UN PROFESSIONNEL.
- N'UTILISEZ JAMAIS L'APPAREIL SANS AVOIR D'ABORD VÉRIFIÉ L'ÉTANCHÉITÉ DES RACCORDS DE GAZ, Y COMPRIS TOUTES LES VANNES, LES RACCORDS, LES CONDUITES, ETC. (TOUTES LES

CONNEXIONS DE GAZ DOIVENT ÊTRE VÉRIFIÉES).

- AVERTISSEMENT : N'UTILISEZ PAS DE FLAMME NUE POUR VÉRIFIER LES FUITES. UTILISATION D'UNE FLAMME NUE
POURRAIT ENTRAÎNER UN INCENDIE, UNE EXPLOSION ET DES DOMMAGES CORPORELS.
- NE PAS FUMER PENDANT LE TEST D'ÉTANCHÉITÉ. TOUTE FLAMME NUE ENFLAMMERA LE GAZ.
- POUR ÉVITER TOUT RISQUE D'INCENDIE OU D'EXPLOSION, EFFECTUEZ LE TEST D'ÉTANCHÉITÉ À L'EXTÉRIEUR UNIQUEMENT.
- AVANT CHAQUE UTILISATION, VÉRIFIEZ QUE LES TUYAUX FLEXIBLES NE PRÉSENTENT PAS DE COUPURES OU D'USURE POUVANT AFFECTER LA SÉCURITÉ. SEULS LE TUYAU ET LE RÉGULATEUR FOURNIS PAR L'USINE DOIVENT ÊTRE UTILISÉS. UTILISER UNIQUEMENT LE RÉGULATEUR DE REMPLACEMENT
ET LES ASSEMBLAGES DE TUYAUX SPÉCIFIÉS PAR BLAZE OUTDOOR PRODUCTS.

Vérification des fuites de gaz

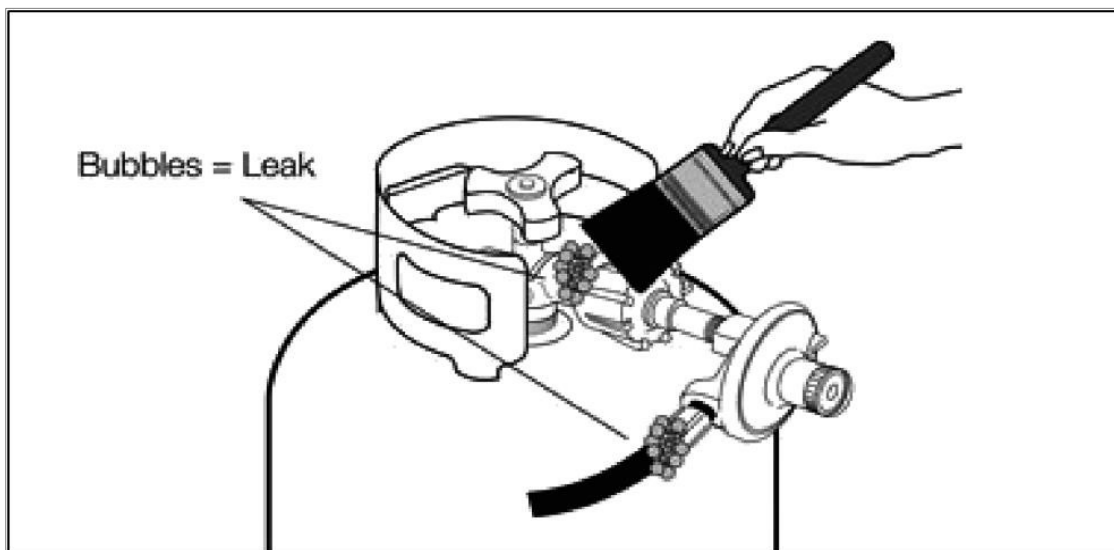
Effectuez un test d'étanchéité avant chaque utilisation. En outre, chaque fois que la bouteille de gaz est connectée au détendeur ou chaque fois qu'une partie du système de gaz est déconnectée ou remplacée, effectuez un test d'étanchéité.

Par mesure de sécurité, n'oubliez pas de toujours tester l'étanchéité de votre appareil à l'extérieur, dans un endroit bien ventilé. Ne fumez jamais et ne laissez pas de sources d'inflammation dans la zone où vous effectuez un test d'étanchéité. N'utilisez pas de flamme, comme une allumette allumée, pour tester les fuites.

Utilisez une solution d'eau savonneuse.

- Préparez une solution de test de fuite à base d'eau savonneuse en mélangeant dans un flacon pulvérisateur une part de savon liquide pour une part d'eau.
- Assurez-vous que tous les boutons de commande sont en position OFF.
- Allumez le gaz.
 - Sur les systèmes au gaz naturel, tournez la vanne d'alimentation principale de l'appareil.
 - Sur les systèmes LP, tournez le bouton du robinet de la bouteille d'un tour dans le sens inverse des aiguilles d'une montre pour l'ouvrir.
- Appliquez la solution de contrôle d'étanchéité en la pulvérisant sur les joints du système d'alimentation en gaz. Cela comprend toutes les vannes, les raccords de tuyauterie, les joints, les lignes et tous les points allant de la source de gaz aux brûleurs.
- La présence de bulles dans la solution savonneuse et/ou d'une faible odeur de gaz (le gaz a généralement une odeur d'œuf) indique la présence d'une fuite. N'essayez pas d'allumer le brûleur.
- Remettez tous les boutons de commande sur la position OFF complète.

- Arrêtez une fuite en resserrant le joint desserré et/ou en refaisant l'étanchéité à l'aide d'un produit d'étanchéité pour filetage ou d'un ruban en téflon, en retirant le produit d'étanchéité ou le ruban en cas de raccord évasé ou en remplaçant la pièce défectueuse par une pièce de rechange recommandée par le fabricant. N'essayez pas de réparer le robinet de la bouteille s'il est endommagé. La bouteille doit être jetée dans un endroit approprié du réservoir de GPL, puis remplacée.
- Si vous ne parvenez pas à stopper la fuite, remettez tous les boutons de commande en position OFF, coupez l'alimentation en gaz de l'appareil et relâchez la pression dans le tuyau et le collecteur en poussant et en tournant l'une des vannes de commande d'un quart de tour dans le sens inverse des aiguilles d'une montre.
- Sur les systèmes LP, retirez la bouteille de l'appareil.
- Appelez un technicien de maintenance agréé pour les appareils à gaz ou un revendeur de gaz GPL.
- N'utilisez pas l'appareil tant que la fuite n'est pas corrigée.
- Le schéma ci-dessous a pour but de montrer à quoi ressemblerait un raccord qui fuit. Ces deux endroits ne sont pas les seuls points à vérifier ni les seules zones potentielles pour une fuite de gaz.



Test de fuite

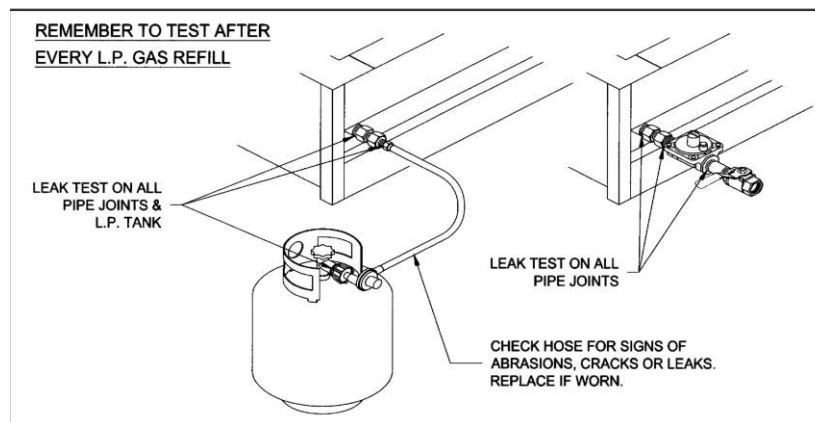
- Tous les tuyaux et raccords de gaz doivent être testés pour détecter les fuites après l'installation ou l'entretien et avant chaque utilisation. Cela inclut toutes les vannes, les raccords de tuyauterie, les joints, les lignes et chaque point de la source de gaz aux brûleurs.

Toutes les fuites doivent être corrigées immédiatement. N'oubliez pas - avant d'échanger une bouteille vide contre une nouvelle, assurez-vous que toutes les vannes de contrôle sont en position "off". Cela peut créer un faible débit de gaz dans le brûleur. Il faudrait alors déconnecter la bouteille du régulateur, puis la reconnecter pour réinitialiser le régulateur.

Ouvrez la vanne (vanne d'arrêt ou réservoir LP "ON"). Vérifiez l'absence de fuites en appliquant une solution de savon liquide sur tous les joints. La formation de bulles indique une fuite de gaz.

- Le schéma suivant n'a qu'un but informatif. Ces emplacements ne sont pas les seuls points à vérifier ni les seules zones potentielles pour une fuite de gaz. Assurez-vous que le test de fuite inclut toutes les vannes, les raccords de tuyauterie, les joints, les lignes et chaque point de la source de gaz aux brûleurs.

N'UTILISEZ JAMAIS DE FLAMME NUE POUR VÉRIFIER LES FUITES.



DÉBALLER L'APPAREIL :

Inspection du produit : Une inspection finale de votre produit a lieu à l'usine afin de s'assurer qu'un produit de qualité est emballé. Veuillez revérifier les éventuels dommages d'expédition immédiatement après avoir déballé votre brûleur. Si vous constatez que l'appareil est endommagé, contactez immédiatement votre revendeur car le transporteur a souvent un délai pour signaler les dommages. Conservez également le matériel d'emballage avec lequel le produit a été livré, car il est parfois inspecté par le transporteur.

Attention : Ne laissez pas l'appareil au soleil avec le film de protection pendant une longue période, car cela rendrait le film difficile à enlever et/ou laisserait des marques sur les matériaux qui ne sont pas couvertes par la garantie.

Votre appareil de la série BLAZE est livré pré-assemblé et nécessite très peu d'installation. Nous recommandons cependant l'utilisation d'une aide professionnelle pendant l'installation de votre appareil car une installation incorrecte peut affecter votre garantie. Retirez l'appareil de la boîte avec tous les accessoires et vérifiez qu'aucun dommage n'a été causé à l'appareil ou à toute autre pièce. Retirez tous les matériaux d'emballage, les étiquettes et le film plastique de protection avant de commencer à cuisiner.

Brûleurs : Vérifiez les brûleurs et enlevez toute obstruction qui pourrait se trouver dans les orifices ou les trous. L'utilisation d'eau froide et d'une brosse sera suffisante. Assurez-vous que toutes les particules étrangères sont retirées du brûleur avant de l'utiliser. Lorsque vous avez terminé, assurez-vous que les brûleurs sont bien en place dans leurs fentes. Le non-respect de cette consigne peut entraîner un incendie et des blessures.

Connexions de gaz

Besoins en gaz naturel

- Raccordez un connecteur flexible de gaz naturel approprié au régulateur de l'appareil situé dans le coin arrière droit de l'appareil. Il est recommandé d'utiliser un connecteur flexible d'un diamètre minimum de ½" ou plus.
- Sceller tous les raccords non évasés avec un produit d'étanchéité pour filets ou une bande de téflon.
- Veillez à ce que le connecteur flexible soit protégé des bords tranchants, de la chaleur, des surfaces agressives et des pliures.
- Vérifiez les commandes de l'appareil pour vous assurer que toutes les vannes de contrôle sont en position d'arrêt complet.
- Ouvrez l'alimentation principale en gaz et vérifiez l'étanchéité de tous les raccords à l'aide d'eau savonneuse, comme indiqué dans la section relative à la procédure de contrôle d'étanchéité.
- Le régulateur utilisé doit être réglé pour une colonne d'eau de 4" et est destiné à être utilisé avec du gaz naturel uniquement. Remarque : la plupart des détendeurs basse pression comportent une flèche directionnelle indiquant le sens dans lequel le gaz doit circuler. Assurez-vous que la flèche est orientée dans la direction de l'appareil.
- Une vanne d'arrêt de gaz fournie par l'installateur doit être installée dans un endroit accessible.

Gaz propane liquide (LP) et exigences relatives aux réservoirs

- Si votre gril de BLAZE est pour une application de propane liquide, un régulateur de L.P réglé pour 11" WC doit être employé et est pour l'usage avec le gaz de LP seulement.
- Le détendeur et le tuyau fournis doivent être utilisés avec une bouteille de GPL de 20 lb.
- Un collier pour protéger les filetages de la bouteille sur le réservoir fourni par le client.
- Un dispositif pour le prélèvement de vapeur de gaz.

- Un dispositif de sécurité ayant une communication directe avec l'espace vapeur de la bouteille.
- Une méthode de montage.
- L'alimentation en gaz doit être coupée au niveau de la bouteille d'alimentation en gaz GPL et la bouteille d'alimentation en gaz GPL doit être déconnectée du régulateur lorsque cet appareil à gaz de cuisson extérieur n'est pas utilisé.
- Placez toujours la bouteille en position verticale de façon à ce que le robinet de la bouteille soit en haut. Cela garantira un retrait correct de la vapeur.
- La bouteille ne doit pas être stockée dans un bâtiment, un garage ou tout autre endroit fermé. Elle doit être entreposée à l'extérieur, dans un endroit protégé, frais et sec, hors de la portée des enfants.
- Ne stockez jamais de bouteille(s) de gaz de recharge ou supplémentaire(s) autour ou dans la cuisine extérieure contenant l'appareil BLAZE ou toute autre flamme ouverte, appareil(s) produisant de la chaleur ou source de chaleur.

WARNING

Remplissage et recharge des bouteilles de gaz de pétrole liquéfié :

Toutes les opérations de purge et de remplissage des bouteilles de gaz GPL doivent être effectuées par du personnel qualifié dans le domaine du gaz GPL. Ne stockez jamais une bouteille de gaz de pétrole liquéfié de recharge sous ou à proximité de cet appareil. Ne remplissez jamais la bouteille de gaz de pétrole liquéfié à

- Tournez les boutons de commande et le robinet de la bouteille en position OFF. Dévissez le robinet.
- Retirez la bouteille et faites-la remplir par votre revendeur local de propane qualifié.
- Une fois rempli, connectez soigneusement la valve et assurez-vous qu'elle est bien fixée et ne fuit pas.
- Avec les boutons de commande en position OFF, ouvrez le robinet de la bouteille.

Si vous sentez une odeur de gaz ou entendez un sifflement de gaz s'échappant du réservoir, éloignez-vous du réservoir et n'essayez pas de corriger le problème vous-même. Appelez immédiatement les pompiers.

Si votre appareil ne présente pas de fuite au niveau de la bouteille, vérifiez à nouveau les connexions desserrées et testez à nouveau les fuites en utilisant la méthode détaillée dans les pages suivantes avec une solution savonneuse.

Ne soumettez pas votre bouteille de gaz de pétrole liquéfié à une chaleur excessive, et stockez-la toujours en

position verticale. Ne stockez jamais vos bouteilles de GPL à l'intérieur.

Veillez à ce que, lors de la fixation des composants, toutes les connexions soient sécurisées et entièrement serrées pour éviter les fuites.

Vérifiez toujours l'absence de fuites avant chaque utilisation.

S'il n'y en a pas déjà un, il est recommandé d'installer une vanne d'arrêt ON-OFF à la source d'alimentation en gaz, et de couper l'alimentation en gaz lorsque les appareils au gaz naturel ou au gaz de pétrole liquéfié ne sont pas utilisés.

Transport et stockage du gaz de pétrole liquéfié

Ne transportez qu'une seule bouteille à la fois. Assurez-vous que la bouteille est fixée en position verticale, que le robinet de commande est fermé et que le bouchon anti-poussière est en place. Rangez les bouteilles à l'extérieur et hors de la portée des enfants. N'entreposez pas les bouteilles dans un bâtiment, un garage ou tout autre endroit fermé.

Procédure de raccordement d'une bouteille de gaz LP (20 lbs)

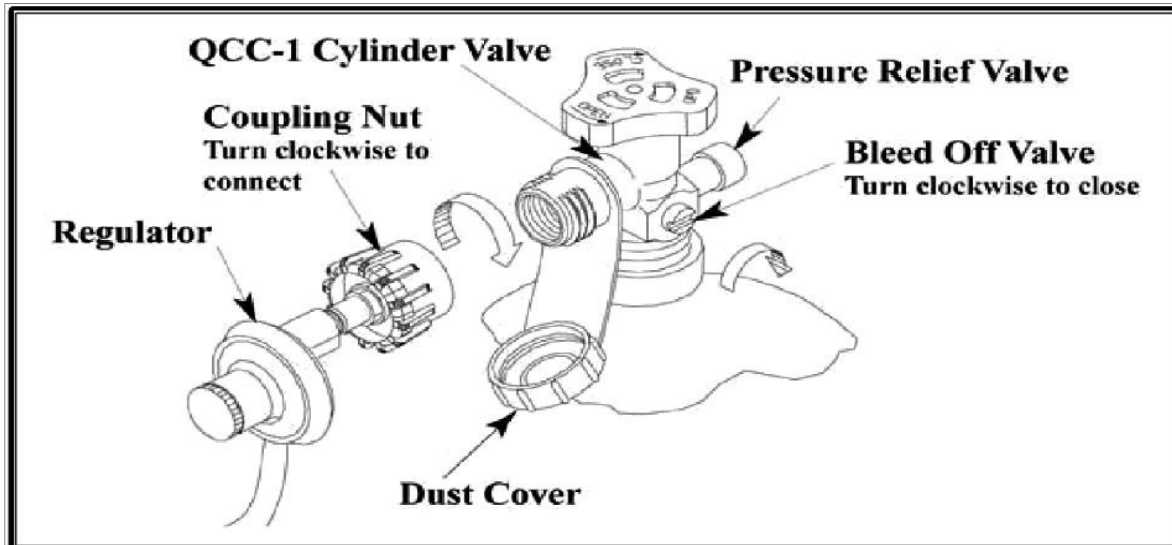
La bouteille de gaz de pétrole liquéfié doit être conforme aux spécifications des bouteilles de gaz de pétrole liquéfié du ministère des Transports des États-Unis ou de la norme nationale du Canada, CAN/CSA-B339. La taille de base du réservoir est de 12" de diamètre et 18" de hauteur avec un robinet de bouteille QCC-1.

1. Tournez le "volant" du cylindre dans le sens des aiguilles d'une montre jusqu'à ce qu'il s'arrête pour vous assurer que le robinet du cylindre est complètement fermé.
2. Tournez tous les boutons du brûleur sur la position OFF.
3. Raccordez l'extrémité évasée 3/8" du tuyau à l'extrémité évasée 3/8" du raccord en laiton de l'unité à l'aide d'une clé ouverte de 3/4". N'appliquez pas de produit d'étanchéité pour tuyau. (Il s'agit de raccords évasés.) Remarque : n'oubliez pas que la conduite en caoutchouc du tuyau et du régulateur doit être protégée des arêtes vives, des surfaces chaudes, des matériaux de construction agressifs qui pourraient couper, faire fondre ou endommager la conduite. Une conduite de gaz séparée et approuvée peut être nécessaire pour aller entre le tuyau et le régulateur et l'appareil afin de placer la conduite en caoutchouc dans un endroit sûr.
4. Connectez le détendeur à la bouteille de GPL. Ne serrez le détendeur qu'à la main.
5. Vérifiez l'absence de fuites en vaporisant une solution d'eau savonneuse sur toutes les connexions, y compris les vannes, les raccords, les conduites, etc. (toutes les connexions de gaz peuvent fuir et il est donc essentiel de vérifier l'absence de fuites avant chaque utilisation).
6. Pour vous débrancher après avoir utilisé l'appareil, tournez les boutons des brûleurs sur la

position OFF.

7. Fermez le robinet du cylindre en tournant le volant dans le sens inverse des aiguilles d'une montre jusqu'à ce qu'il s'arrête.

8. Débranchez le détendeur de la bouteille de GPL après utilisation.



Installation de l'appareil dans un îlot de barbecue

REMARQUE : Vérifiez les codes locaux de construction auprès de la ville et du service des incendies. Un permis peut être exigé pour la construction

Vous aurez besoin d'une deuxième personne pour vous aider à éviter d'endommager l'appareil ou votre îlot électroménager.

⚠ WARNING

Assurez-vous que tous les dégagements aux combustibles sont maintenus. Voir page 23.

L'îlot doit être fabriqué dans un matériau non combustible. Dans le cas où il est combustible,

l'utilisation d'une enveloppe isolante est OBLIGATOIRE.

WARNING

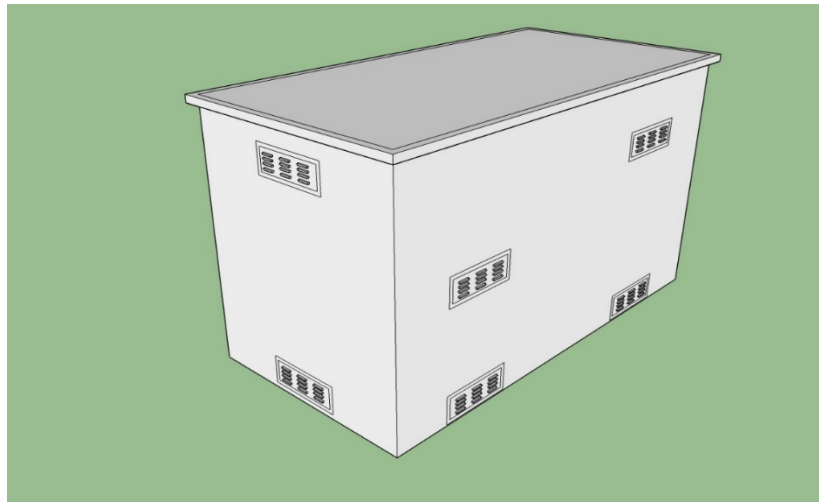
- Protection contre les intempéries : Gardez l'appareil à l'abri des intempéries, notamment de la pluie et du vent. Le vent peut refouler la chaleur derrière le panneau de commande, ce qui peut provoquer une fuite de gaz, endommager l'appareil et causer des blessures. Il peut être nécessaire d'installer un coupe-vent derrière l'appareil.

Ventilation de la cuisine extérieure

AVERTISSEMENT

Si la cavité de votre cuisine extérieure n'est pas correctement ventilée, cela peut entraîner une explosion ou un incendie.

Lorsque vous intégrez un appareil à gaz dans une cuisine extérieure, il est nécessaire de prévoir une ventilation adéquate de la cavité de l'îlot située en dessous. Ceci est nécessaire non seulement pour une bonne combustion, mais aussi pour éviter une accumulation de gaz. Bien que la quantité de ventilation requise pour votre îlot varie en fonction des différents codes locaux, de la structure interne et de la conception de la cuisine extérieure, de la quantité de produits au gaz installés et de leur emplacement, etc. Votre entrepreneur local et/ou les autorités compétentes peuvent déterminer la ventilation



adéquate pour chaque installation. Des panneaux de ventilation en acier inoxydable sont disponibles auprès de votre revendeur pour couvrir la ventilation de l'îlot.

Les informations suivantes sont importantes à prendre en compte pour respecter les exigences de votre code local.

Gaz LP/Propane : Le gaz de pétrole liquéfié est plus lourd que l'air et s'accumule dans les niveaux les plus bas de la cuisine extérieure. Il est impératif de prévoir une ventilation transversale adéquate pour les zones où le gaz peut s'accumuler à ces niveaux inférieurs de la cavité de l'îlot. Si la bouteille de propane est située dans la cuisine extérieure elle-même, un mur de plenum est nécessaire pour séparer la source de gaz des autres zones de la cuisine extérieure (photo de la page 24), et les armoires contenant les appareils à gaz et le réservoir de gaz doivent être ventilées de manière appropriée. Si un mur de plenum n'est pas souhaitable, BLAZE offre un tiroir de réservoir de propane comme une alternative.

NG/Gaz naturel : Le gaz naturel est plus léger que l'air et monte jusqu'aux niveaux les plus élevés de la cuisine extérieure. Il est impératif de prévoir une ventilation transversale adéquate pour les zones où le gaz peut s'accumuler à ces niveaux supérieurs de la cavité de l'îlot.

Le diagramme suivant montre une variété d'exemples d'emplacements et de configurations de ventilation pour une cuisine extérieure. Il ne s'agit pas des seules options possibles pour la ventilation, mais simplement de quelques exemples des configurations les plus courantes. Remarquez que le jeu d'évents du milieu est placé plus bas sur la cavité de l'îlot pour le gaz GPL.

TOUS LES POINTS DE RACCORDEMENT AU GAZ DOIVENT ÊTRE TESTÉS POUR DÉTECTER LES FUITES APRÈS L'INSTALLATION AVANT LA PREMIÈRE UTILISATION DE L'APPAREIL OU DES APPAREILS À GAZ.

Avant d'installer un appareil dans une découpe de l'îlot, assurez-vous que l'ouverture n'est pas plus grande que le cadre extérieur de l'appareil. L'appareil doit reposer sur le rebord du cadre.

Faites attention à l'emplacement de la conduite de gaz. Elle doit être éloignée des sources de chaleur, des arêtes vives et des surfaces agressives et doit faire le moins de coudes possible.

Assurez-vous que le raccordement de la conduite de gaz sera accessible lorsque l'appareil sera installé. Une vanne d'arrêt de sécurité est requise à

ce point de raccordement au gaz.

WARNING

Le brûleur doit être vérifié deux fois pour s'assurer qu'il est correctement placé dans l'appareil avant de l'utiliser. Après avoir terminé, assurez-vous que les brûleurs sont alignés dans la fente du support. Le non-respect de cette consigne peut entraîner un incendie et des blessures.

Si le comptoir de la cuisine extérieure dépasse de la face de l'îlot, il est nécessaire d'entailler les deux bords avant du comptoir pour permettre au double brûleur de glisser à ras de la paroi avant extérieure de la cuisine extérieure. En raison des différentes préférences personnelles quant à la taille de l'encoche, il est recommandé de le faire au moment de l'installation afin que le consommateur puisse dicter sa préférence.

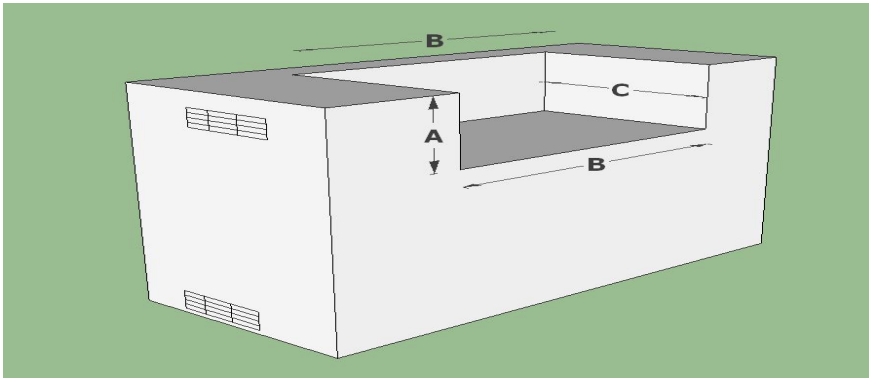
- Faites glisser l'appareil dans la découpe, puis fixez la conduite de gaz.
- Faites très attention de ne pas plier la conduite de gaz lorsque vous abaissez l'appareil dans la découpe.
- Gardez vos doigts éloignés de l'endroit où l'appareil sera soutenu sur le comptoir. Vos doigts pourraient se coincer et vous pourriez vous blesser gravement.
- Vérifiez que l'appareil est de niveau et qu'il est soutenu sur tout le pourtour extérieur. Si l'appareil n'est pas de niveau ou est instable, utilisez des cales incombustibles sous le rebord extérieur pour le stabiliser.
- Effectuez la procédure de test d'étanchéité comme décrit précédemment dans ce manuel.
- Branchez le transformateur sur le gril, puis sur la prise électrique. Veillez à respecter toutes les consignes de sécurité électrique et les instructions figurant à la page 11.

SPÉCIFICATIONS DU BBQ DE CONSTRUCTION

Assurez-vous que la cavité de votre îlot est correctement ventilée. Le nombre d'évents indiqué dans le diagramme n'est donné qu'à titre indicatif. Consultez votre professionnel agréé local pour connaître les exigences adéquates.

Assurez-vous que votre cuisine extérieure est construite avec des matériaux non combustibles.

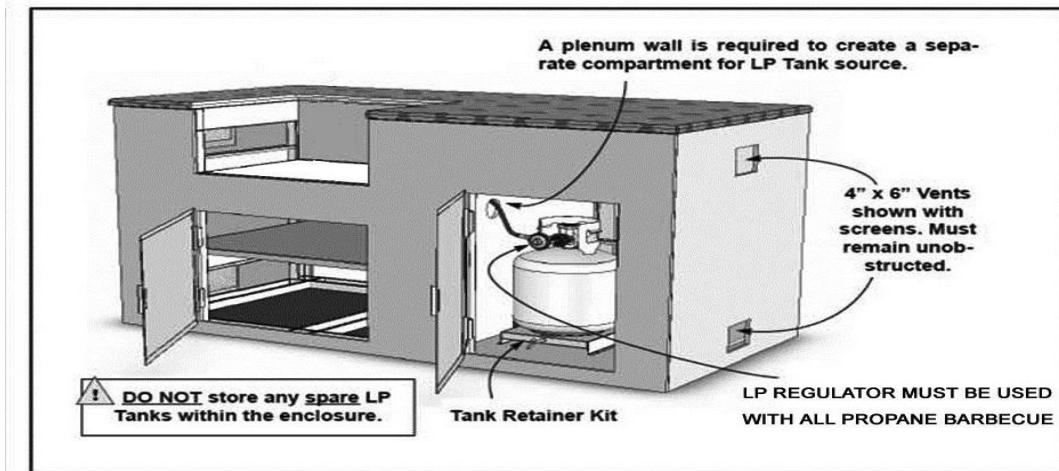
*Si votre cuisine extérieure est construite en matériaux combustibles, une veste isolante est OBLIGATOIRE.



TOUS LES ÎLOTS DE BBQ DOIVENT ÊTRE FABRIQUÉS À PARTIR DE MATÉRIAUX "NON COMBUSTIBLES".

Maintenez un dégagement minimum par rapport aux constructions combustibles adjacentes de 16" sur les côtés et 16" à l'arrière.

MODÈLE	DESCRIPTION	HAUTEUR	LARGEUR (B)	PROFONDEUR
BLZ-SB2LTE(NG/LP)	Double brûleur latéral	8 1/2"	10 3/4"	20 3/4"

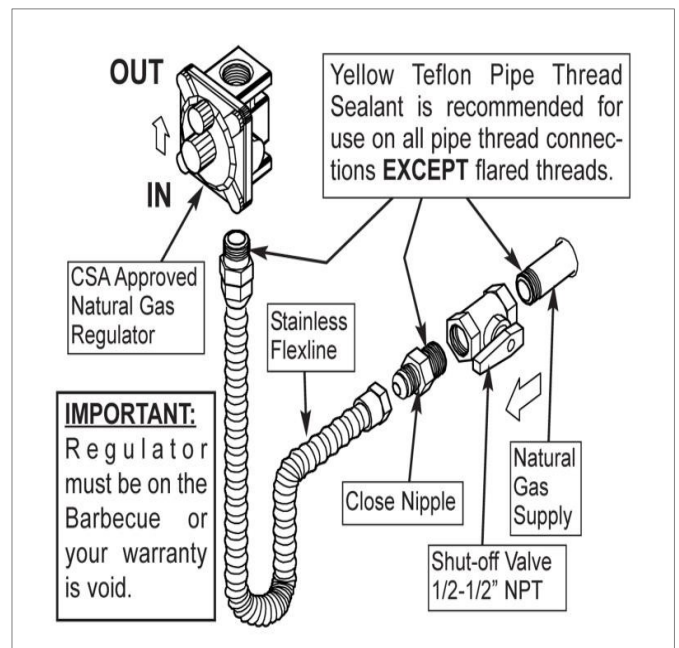
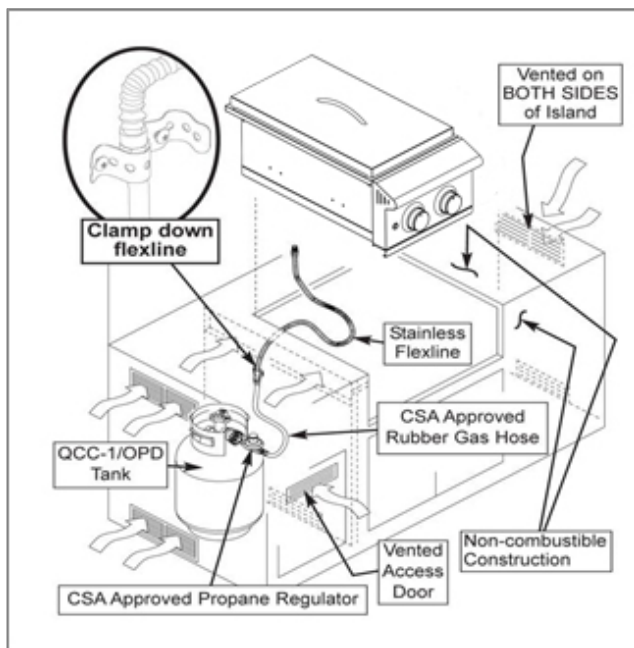


Schéma

Méthode d'installation pour le gaz à basse pression

(Réservoir LP de 5 gallons illustré)

Source - (Régulateur de gaz naturel illustré)



PREMIÈRE OPÉRATION

⚠ WARNING

Avant d'allumer les brûleurs, inspectez la tuyauterie ou le tuyau d'alimentation en gaz. S'il présente des signes de coupure, d'usure ou d'abrasion, il doit être remplacé avant l'utilisation. Gardez toujours votre visage et votre corps aussi loin que possible de l'appareil lors de l'allumage. Effectuez toujours un test

Attention : Ne faites jamais fonctionner l'appareil sans surveillance. La surface est extrêmement chaude et quelqu'un peut toucher la surface chaude et se brûler gravement. Tous les appareils à gaz doivent être surveillés à tout moment.

Avant d'utiliser votre appareil, vérifiez que tous les éléments suivants sont corrects :

- ✓ Les têtes de brûleur sont exemptes de tout débris ou obstruction.
- ✓ Installation du type de gaz et des réglages du régulateur appropriés.
- ✓ Le raccordement correct au gaz est terminé.
- ✓ Vérifiez les fuites de gaz.
- ✓ Les dégagements minimums sont maintenus.
- ✓ Tous les emballages ont été retirés.
- ✓ Toutes les pièces et tous les composants sont correctement mis en place.
- ✓ Une vanne d'arrêt de gaz manuelle fournie par l'installateur est entièrement accessible.
- ✓ Le tuyau GPL/GN est propre et inspecté pour détecter les coupures, l'usure, l'abrasion ou les fuites. Remplacez-le si nécessaire par une pièce appropriée homologuée UL, ETL ou CSA avec un connecteur à filetage interne.

Allumer l'appareil

1. Retirez le couvercle supérieur en acier inoxydable.
2. Soyez prudent lorsque vous allumez les brûleurs en vous tenant aussi loin que possible des brûleurs. Ne mettez pas vos mains, vos bras, votre tête ou toute autre partie du corps à proximité de l'appareil lors de l'allumage.
3. Pour allumer les brûleurs, poussez le bouton du brûleur et tournez-le lentement dans le sens inverse des aiguilles d'une montre jusqu'à la position haute.
4. Vous entendrez un clic sonore lorsque le briquet électronique produira une étincelle. Écoutez le bruit du gaz qui s'allume et cherchez une flamme à travers la grille de cuisson. Si le brûleur ne s'allume pas du premier coup, recommencez immédiatement.
5. Si le brûleur ne s'allume pas dans les 5 secondes, éteignez les brûleurs et attendez cinq minutes avec le couvercle enlevé jusqu'à ce que le gaz s'évacue avant de tenter de l'allumer à nouveau.

Répétez la procédure ou essayez la procédure d'allumage manuel ci-dessous.

6. Si le brûleur ne s'allume pas après plusieurs tentatives, fermez immédiatement toutes les vannes de gaz et consultez un technicien de service agréé.
7. Une fois l'allumage réussi, répétez le processus sur l'autre brûleur que vous souhaitez allumer.
8. Pour éteindre les brûleurs, tournez le bouton et mettez-le sur OFF. Il est normal d'entendre un bruit sec lorsque les brûleurs sont éteints.
9. Fermez le robinet de l'alimentation en gaz.

Allumage manuel des brûleurs principaux

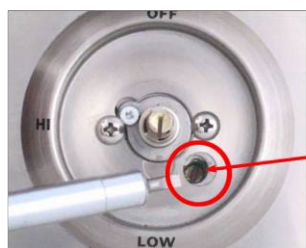
AVERTISSEMENT : N'utilisez pas d'allumettes de taille standard ou de briquets pour effectuer les procédures d'allumage. Des brûlures graves peuvent se produire et les briquets peuvent exploser.

1. Retirez le couvercle supérieur en acier inoxydable.
2. Si vous venez d'essayer d'allumer le brûleur, laissez cinq minutes pour que le gaz accumulé se dissipe. Faites preuve de prudence en vous tenant aussi loin que possible des brûleurs. Ne mettez pas vos mains, vos bras, votre tête ou toute autre partie du corps à proximité du brûleur lors de l'allumage.
3. Tenez votre flamme ouverte vers le haut de la tête du brûleur.
4. Enfoncez et tournez le bouton de commande sur HIGH.
5. Si le brûleur ne s'allume pas après cinq secondes, mettez les boutons de commande sur la position OFF.
6. Attendez cinq minutes que le gaz se dissipe avant de tenter de l'allumer à nouveau.
7. Si le brûleur ne s'allume pas après plusieurs tentatives, fermez immédiatement toutes les vannes de gaz et consultez un technicien de service agréé.

Avant de cuisiner avec votre appareil pour la première fois, brûlez tout corps étranger et débarrassez l'appareil de toute odeur en allumant les brûleurs principaux uniquement sur HIGH pendant environ 10 minutes.

Réglage de la flamme

- a. Familiarisez-vous avec les consignes de sécurité figurant au début de ce manuel. Ne fumez pas pendant que vous allumez l'appareil ou que vous vérifiez les raccords d'alimentation en gaz.
- b. Assurez-vous que tous les raccords de gaz sont bien serrés et que leur étanchéité a été testée avec une solution d'eau savonneuse - jamais avec une flamme !
- c. Mettez les brûleurs en position basse et vérifiez la hauteur de la flamme. La flamme doit être stable et brûler par chaque orifice du brûleur sans risque de s'éteindre dans le réglage le plus bas. (Pour régler le réglage de la flamme BASSE, il suffit d'allumer l'appareil sur le réglage BASSE et d'ajuster la vis située sous le bouton à l'avant de la valve à l'aide d'un tournevis à tête plate, comme le montre le schéma ci-dessous).



Vis de réglage de la flamme basse

Nettoyage de votre appareil

REMARQUE : attendez toujours que votre appareil soit complètement froid avant de le nettoyer. Vous devez nettoyer votre appareil après chaque utilisation afin de préserver l'aspect général de votre appareil pendant toute sa durée de vie. Après la

première utilisation, il est normal que votre appareil se décolore à certains endroits en raison de la chaleur produite par les brûleurs.

Nettoyage extérieur

Lorsque vous nettoyez votre appareil, frottez et polissez toujours dans le sens du grain de l'acier inoxydable. Essuyez l'extérieur de l'appareil pour éliminer toute éclaboussure ou graisse. N'utilisez pas de produits abrasifs puissants. Utilisez un nettoyant pour acier inoxydable pour nettoyer la surface extérieure et lui donner un aspect poli. Pour enlever les aliments cuits, utilisez un tampon abrasif non métallique à grain fin ou moyen avec un nettoyant pour acier inoxydable afin d'éviter que des taches de graisse ne s'accumulent dans le grain et ne donnent l'apparence de la rouille. Avant d'installer le couvercle, laissez toujours la surface sécher. NE PAS recouvrir un appareil humide.

Plateau d'égouttage

Nettoyez le bac d'égouttage après chaque utilisation. Le non-respect de cette consigne peut entraîner un incendie. Une fois que l'appareil a refroidi

Retirez le plateau en le tirant jusqu'à ce qu'il se détache complètement. Nettoyez le plateau à l'eau chaude savonneuse et réinstallez-le. Si vous utilisez un produit de nettoyage pour four, veillez à bien suivre les instructions du fabricant pour éviter d'endommager l'acier inoxydable.

Grille de cuisson

Brossez les débris avec une brosse à poils en acier inoxydable.

Brûleurs

L'appareil doit être complètement refroidi avant de procéder. Assurez-vous que l'alimentation en gaz est coupée et que tous les boutons de commande sont en position "OFF". Vous devez retirer toutes les grilles de cuisson pour exposer les brûleurs principaux de l'appareil. Maintenez tous les orifices des brûleurs libres de toute obstruction à l'aide d'un petit objet métallique. Nettoyez tous les débris à l'intérieur de la tête du brûleur et inspectez l'entrée du brûleur pour vous assurer qu'elle n'est pas obstruée. Utilisez une tige ou un cure-pipe pour enlever les débris à l'intérieur du brûleur si nécessaire.

MISE EN GARDE CONTRE LES ARAIGNÉES ET LES INSECTES

Les araignées et autres insectes peuvent faire leur nid dans le brûleur de cet appareil et de tout autre brûleur, ce qui fait que le gaz s'écoule par l'avant du brûleur. Cette "condition" dangereuse peut provoquer un incendie derrière le panneau de la vanne, endommageant le brûleur et rendant son utilisation dangereuse. Inspectez les brûleurs avant chaque utilisation. Les symptômes d'un nid d'insectes peuvent inclure l'une des conditions suivantes :

- 1) L'odeur de gaz associée à l'apparition de flammes jaunes dans le brûleur.
- 2) Le brûleur n'atteint pas la température.
- 3) Le brûleur chauffe de manière inégale.
- 4) Le brûleur fait des bruits d'éclatement.

⚠ WARNING

Conversion de carburant

ATTENTION : Cette opération ne doit être effectuée que par un professionnel du gaz agréé.

(Une vidéo de conversion de votre grill blaze est disponible sur le site Web de blaze pour vous aider à suivre les instructions ci-dessous, www.blazegrills.com).

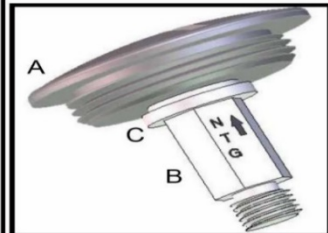
Régulateur de gaz convertible (si applicable) :

Actuellement, tous les brûleurs à gaz naturel sont fournis avec un régulateur qui convient pour une utilisation avec du gaz naturel ou du propane à basse pression.

1. Lors de la conversion au gaz propane, la bonbonne de propane la plus couramment utilisée est une bonbonne portable de plus petite taille (généralement 5 gallons ou 20 livres). Le régulateur préinstallé devra être converti en gaz GPL (voir ci-dessous) et ajouter un tuyau basse pression secondaire et un régulateur avec une pression de sortie réglée à environ 11 pouces de colonne d'eau. Si une personne a l'intention d'utiliser du propane provenant d'un réservoir plus grand installé de façon permanente sur place, le régulateur fourni avec l'appareil devra seulement être converti pour être utilisé avec du carburant GPL (voir la section Conversion du régulateur GN-GPL ci-dessous). Sachez que le régulateur fourni ne peut supporter qu'une pression d'entrée de 0,5 PSI ou environ 14 pouces de colonne d'eau. Toute pression supérieure sur place devra être réglée davantage avant d'être raccordée au régulateur de l'appareil. Veuillez consulter votre fournisseur local de gaz propane pour confirmer la pression du gaz sur la ligne d'alimentation de l'appareil.
2. En cas de conversion au gaz naturel, il faut utiliser un régulateur basse pression avec une pression de sortie réglée à 4" de colonne d'eau.
3. Quelle que soit l'installation, n'oubliez pas de toujours vérifier l'absence de fuites de gaz une fois le travail terminé (voir vérification des fuites de gaz).



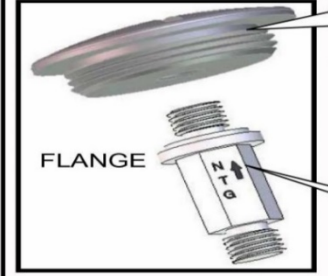
NG - LP Regulator Conversion



Cap is attached to regulator and in this picture it is shown as "set to Natural Gas".

Step 1: Remove Cap by Unscrewing it.

A= Cap B= Stem C= Flange




CAP

FLANGE

STEM

Step 2: Unscrew the Stem from the cap

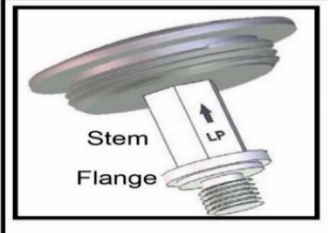


180°

Flange

LP

Step 3: Turn the Stem 180° so that the Flange is at The Bottom.



Stem

Flange

LP

Step 4: Screw the Stem back into the Cap and then reinstall the Cap/Stem Assembly back into the Regulator.

Note: Hand Tight Only.

NOTE: for a "FULL" conversion make sure you replace all of the orifices located in the Valves including the Back Burner valve with the LP orifices provided in the Conversion Kit

Instructions de conversion du combustible (gaz) pour les brûleurs à gaz BLAZE.

Il y aura un kit de conversion d'orifice dans chaque brûleur latéral approprié pour le type de gaz opposé. Le kit comprendra deux orifices à remplacer.

ATTENTION : Cette opération ne doit être effectuée que par un professionnel du gaz agréé.

Brûleurs :

1. Vous devez retirer la grille de cuisson pour exposer les brûleurs principaux de l'appareil.
2. Tirez légèrement vers le haut sur la tête du brûleur et tournez-la sur le côté. Cela permet d'exposer l'orifice par lequel le gaz entre dans le brûleur. (image ci-dessous)



3. Retirez l'orifice et remplacez-le par l'orifice du type de gaz souhaité et remontez.
4. Si vous n'êtes pas sûr de la procédure complète, veuillez contacter votre revendeur.

Dépannage

Présence d'une odeur de gaz	Vérifiez l'absence de connexions desserrées ou de fissures dans la conduite de gaz. Effectuez un test de fuite avec de l'eau savonneuse ou une solution de test de fuite. N'ESSAYEZ PAS DE TESTER AVEC UNE FLAMME. Si vous trouvez une fuite, fermez immédiatement l'alimentation
Le brûleur ne s'allume pas	Vérifiez la position de la tige d'allumage. Elle doit sauter sur le brûleur en laiton. Nettoyez la zone où le contact sera établi entre la pointe de l'électrode et le brûleur. Assurez-vous qu'il y a une étincelle bleue à la pointe de l'électrode vers le brûleur. Assurez-vous que le fil est correctement connecté. Assurez-vous que l'orifice est exempt de
Flamme jaune	La couleur de la flamme doit être principalement bleue. Il devrait y avoir une pointe jaune mais si la flamme est complètement jaune, nettoyez le brûleur et les substances autour du brûleur pour
Orifice bouché	Retirez l'orifice et nettoyez-le avec un fil fin.
Pas de gaz dans le brûleur	Vérifiez la vanne d'arrêt pour voir si elle est sur la position ON - le gaz peut être coupé.

Enregistrement de la garantie

Si vous avez acheté un brûleur de la série Blaze, vous devez enregistrer votre produit dans les 30 jours suivant l'achat pour valider la garantie et conserver votre reçu original pour obtenir des pièces pour l'appareil. Vous pouvez enregistrer votre appareil sur *blazegrills.com* en sélectionnant Support, puis Enregistrer votre produit. Vous pouvez également remplir les pages 33-34 et les poster à l'adresse indiquée au bas du formulaire. La garantie ne s'applique qu'aux propriétaires originaux sur le site original de livraison et ne peut être transférée à de nouveaux propriétaires. Vous devez conserver votre ticket de caisse ou votre facture. Les brûleurs Blaze sont garantis pour une utilisation normale en milieu familial/résidentiel seulement.

Les travaux d'installation, de réparation et d'entretien doivent être effectués par un technicien agréé. Les travaux effectués par des personnes non qualifiées peuvent être dangereux et annulent la garantie. Tous les appareils au gaz naturel et au gaz de pétrole liquéfié doivent être installés par un installateur qualifié pour que la garantie soit effective. L'installation incorrecte de l'appareil à gaz Blaze annulera la garantie. Veuillez appeler Blaze Outdoor Products pour plus d'informations sur l'installation correcte de l'appareil à gaz.

Blaze Outdoor Products ne sera pas responsable sous cette garantie ou toute autre garantie implicite pour les dommages accessoires ou consécutifs et la responsabilité Blaze Outdoor Products est limitée prix d'achat de l'appareil seulement. Cette garantie vous donne des droits légaux spécifiques, et vous pouvez également avoir d'autres droits, qui peuvent varier d'un état à l'autre. Cette garantie est applicable aux États-Unis et au Canada seulement. Personne d'autre n'est autorisé à exécuter les obligations de cette garantie.

Un entretien inadéquat, des températures de cuisson élevées, une humidité excessive, le chlore, les engrais, les pesticides pour pelouses, les produits chimiques et le sel peuvent affecter les composants en acier inoxydable. Pour ces raisons, les garanties NE COUVRENT PAS LA DISCOLORATION, LA ROUILLE DE SURFACE OU LA ROUILLE, à moins qu'il n'y ait une perte d'intégrité structurelle / rouille à travers les composants de l'appareil. Cette garantie couvre les défauts de matériaux et de fabrication.

GARANTIE SUR LES PIÈCES :

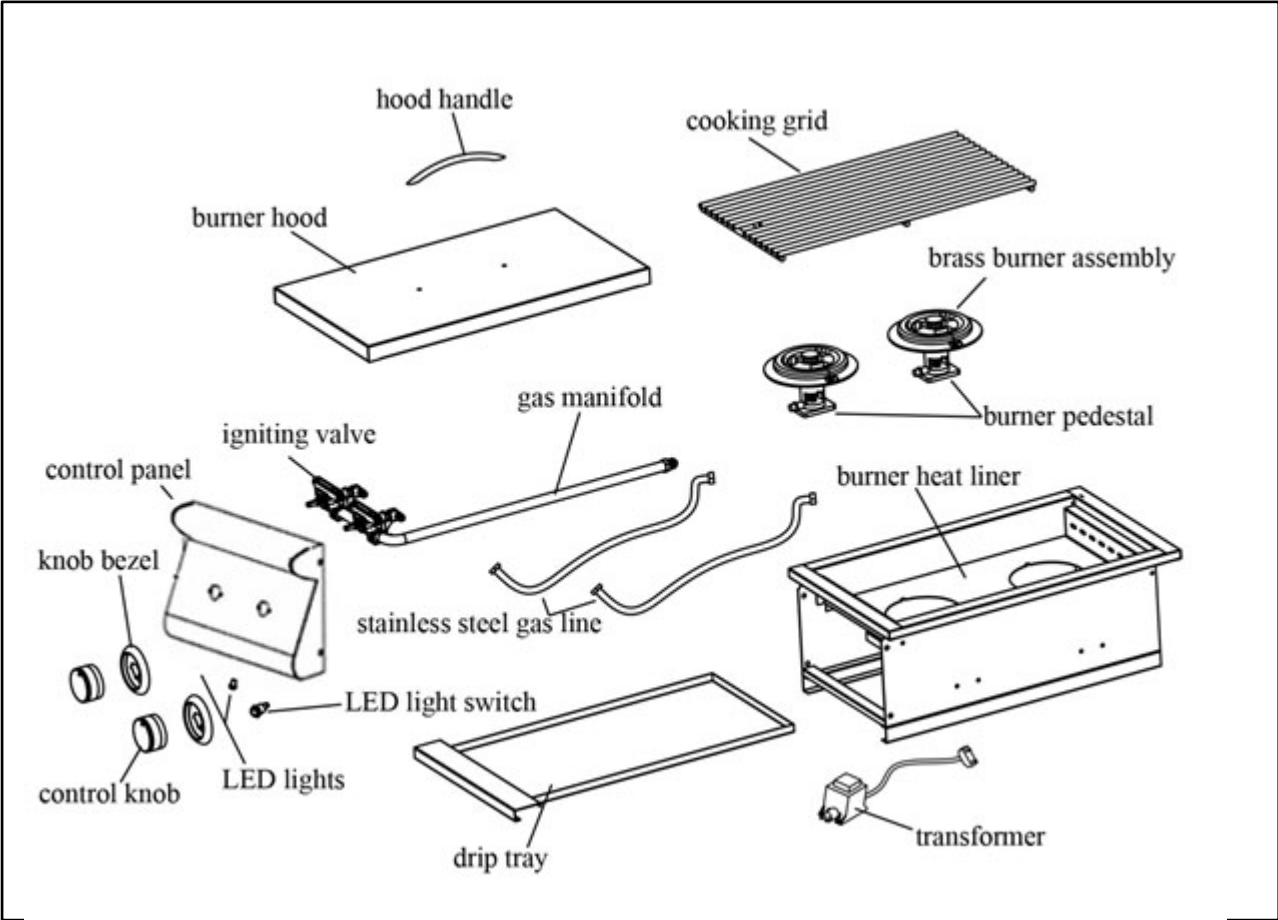
- Brûleurs - Durée de vie (pièces uniquement)
- Grille du brûleur - à vie (pièces seulement)
- Corps + Couvercle - Durée de vie (pièces seulement)
- Valves - Durée de vie (pièces seulement)
- Allumage - 1 an (pièces uniquement)

Les consommateurs sont responsables de tous les coûts de main-d'œuvre et d'expédition associés aux pièces sous garantie. Toutes les demandes de garantie sont soumises à l'examen du fabricant. Veuillez vous assurer d'avoir les

informations de votre reçu de vente et le numéro de série du produit situé sur le panneau latéral extérieur gauche de l'appareil. Toutes les pièces de rechange peuvent être achetées auprès de votre revendeur local.

TERMIN TERMIN TERMIN TERMIN TERMIN TERMIN TERMIN TERMIN TERMIN
TERMIN TERMIN TERMIN TERMIN TERMIN

Double brûleur latéral



Localisation du numéro de série du produit :

Le numéro de série pour votre appareil BLAZE est situé sur l'extérieur gauche de la boîte à feu (voir l'image à la page 12.) Vous aurez besoin de ce numéro pour enregistrer correctement votre appareil et activer la couverture. Écrivez cette information dans l'espace fourni ci-dessous pour vos disques

Modèle d'appareil :

Numéro de série de l'appareil :

Type de carburant utilisé : Propane Gaz naturel

Date d'achat :

Date d'installation :

Nom du concessionnaire Blaze :

Adresse du concessionnaire Blaze :

Le numéro de téléphone du concessionnaire Blaze :

Enregistrement du produit Blaze

Veillez prendre une minute pour nous faire savoir ce que vous avez acheté. Cela nous permet de vous tenir au courant et d'avoir vos informations à portée de main si jamais vous avez besoin d'aide pour la garantie ! Vous pouvez enregistrer votre produit électroniquement sur le site web de blaze sous la rubrique "support".

FirstLast _____

Courriel _____

Téléphone _____

Adresse de la rue Ligne _____

d'adresse 2 _____

Ville _____ État / Province / Région _____

Code postal / ZipPays _____

Quel est le numéro de modèle du produit Blaze acheté ?

Quel est le numéro de série du produit Blaze ?

Où avez-vous acheté votre produit Blaze ?
