



ASSEMBLY INSTRUCTIONS

MAMMOTH SERIES™ PORTABLE BASKETBALL SYSTEM

MODEL 90734

BEFORE ASSEMBLY:

- Before you start, decide with what to fill the base (sand is recommended)
- Assembly should take, at least, 3 adults about 3–4 hours to complete



WATCH 3D ANIMATION OF THE FULL ASSEMBLY

BILT.® Download on the App Store GET IT ON Google Play

OR WATCH THE HOW-TO ON YOUTUBE

SCAN THE CODE OR SEARCH 1210164

YouTube

Scan the code, or visit go.lifetime.com/90734-mammothportable-fullav

YouTube® and the YouTube logo are trademarks of Google, LLC.

Save this instruction in the event that the manufacturer has to be contacted for replacement parts.

TOOLS REQUIRED*

*not included unless otherwise indicated

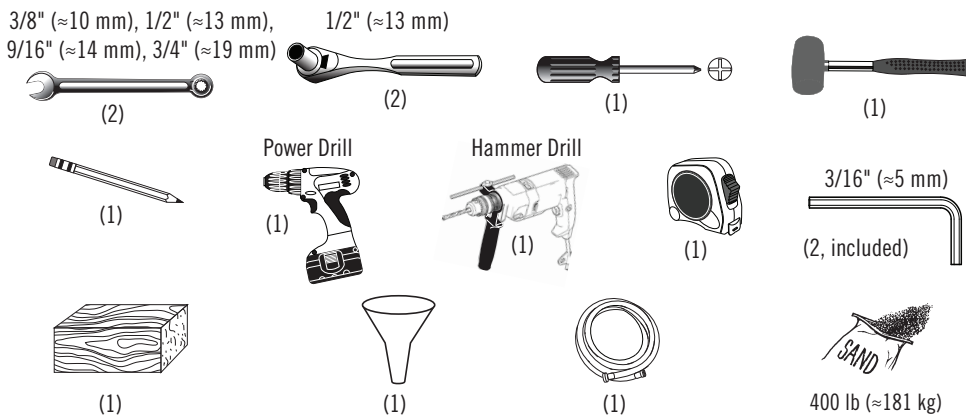


TABLE OF CONTENTS

Icon Legend.....	2
Warnings & Notices.....	3
Pole Assembly.....	4
Pole-to-Base Assembly.....	9
Backboard-to-Rim Assembly.....	17
Parts Identifier.....	i-iv
Backboard-to-Pole Assembly.....	25
Handle Assembly.....	31
Final Assembly.....	39
Maintenance Instructions.....	44
Warning Sticker.....	45
Registration.....	46
Warranty.....	47

QUESTIONS?

Dial 1-800-225-3865
7:00 am–5:00 pm (M–F) MST
and 9:00 am–1:00 pm (Sat) MST
(English, French, Spanish)

CONTACT LIFETIME CUSTOMER SERVICE:

Live Chat:
www.lifetime.com/customerservice
(Click on the "LIVE CHAT" tab)

For Customer Service in Mainland
Europe and the United Kingdom,
E-mail: cs@lifetimeproducts.eu

Model Number: 90734
Product ID:



ICON LEGEND



- Indicates special heed should be taken when reading.



- Indicates the parts to be used for a section.



- Indicates no parts required for a specific section.



- Indicates the hardware to be used for a section.



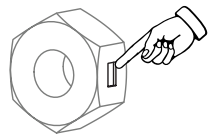
- Indicates no hardware required for a specific page.



- Indicates the tools to be used for a section.



- Indicates to use/not to use an electric drill for a specific step.



- Indicates the use of a centerlock nut. A nut with this marking will require some effort to tighten. This hardware was designed with this feature in order to prevent loosening later.



WARNINGS & NOTICES



SAFETY INSTRUCTIONS



FAILURE TO FOLLOW THESE WARNINGS MAY RESULT IN SERIOUS INJURY OR PROPERTY DAMAGE AND WILL VOID WARRANTY.

Owner must ensure that all players know and follow these rules for safe operation of the system.

To ensure safety, do not attempt to assemble this product without following the instructions carefully. Check entire box and inside all packing material for parts and/or additional instruction material. Before beginning assembly, read the instructions and identify parts using the hardware identifier and parts list in this document. Proper and complete assembly, use and supervision are essential for proper operation and to reduce the risk of accident or injury. A high probability of serious injury exists if this product is not installed, maintained, and operated properly.

- If using a ladder during assembly, use extreme caution.
- Three capable adults are recommended for this operation.
- Check base daily for leakage. Leaks will cause system to fall.
- Assemble the pole sections properly. Failure to do so could cause the pole sections to separate during play or transport.
- Minimum operational height is 6 ft 6 in (1.98m) to the bottom of the backboard.

Most injuries are caused by misuse and/or not following instructions. Use caution when using this product.



SAFE HANDLING OF THE GLASS BACKBOARD



BEFORE & DURING ASSEMBLY

1. Thoroughly inspect the Backboard before beginning assembly. Do not use the Backboard if there are any chips, cracks, or other defects in the board. Call our Customer Service Department if any problems are found.
2. Use extreme caution when handling or working around the Backboard.
3. Keep tools, hardware, and other sharp and heavy objects away from the Backboard.
4. Never rest the Backboard directly on a hard surface, such as concrete or pavement. Always place cardboard or other cushioning material between the Backboard and the ground or other hard surfaces.
5. Always lay the Backboard flat. Never place it in a position where it might tip over and break.
6. Glass is very heavy. Always use at least two adults when picking up or moving the Backboard.

GENERAL HANDLING & CARE

1. Inspect the Backboard before each use. Do not use the Backboard if there are any chips, cracks, or other defects in the board. If any signs of damage are found, follow the instructions for “Handling Broken Glass” below.
2. Use extreme caution when handling or working around the Backboard.
3. The Backboard was designed for use with a Basketball. Do not use other types of balls or other objects with the system. Do not use this system for any purpose other than its designed purpose.

HANDLING BROKEN GLASS

At the first sign of breakage:

1. Keep everyone, especially children, away from the immediate area of the Backboard.
2. Put on eye protection, and wear thick utility gloves and long sleeves. Small pieces of tempered glass may pop out of the Backboard.
3. Lower the Backboard to its lowest height, and completely cover the Backboard with a tarp.
4. Do not remove the Backboard from the system without first lowering the system to its lowest setting. Carefully read and follow the “Removing Backboard from System” instructions below.

REMOVING BACKBOARD FROM SYSTEM

1. Make sure the Padlock is secured on the Gas Spring to prevent it from engaging. Have three capable adults carefully lay the system down. Make sure to rest the rim on a sheet of cardboard or other non-abrasive surface.
2. Loosen and remove the hardware from the steps performed in the *Backboard to Pole Assembly Section* of this manual in reverse order. Keep the hardware.
3. Loosen and remove the hardware from the steps performed in the *Backboard to Rim Assembly Section* to safely remove the Rim. Keep all parts and hardware from this section for assembly to your replacement backboard.

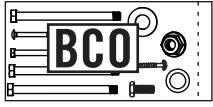
1

POLE ASSEMBLY

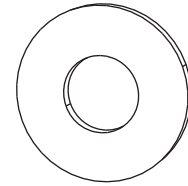


HARDWARE REQUIRED

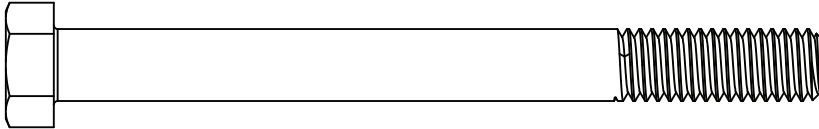
Hardware Blister Pack



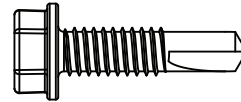
ABR (x2)



AAF (x2)



ABE (x2)



ABZ (x4)

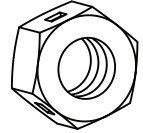
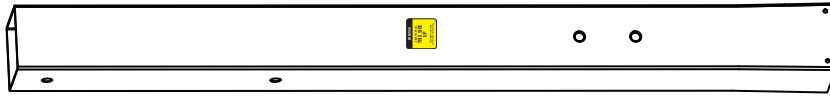


ABB (x2)

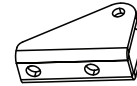


PARTS REQUIRED

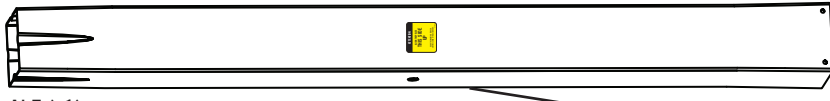
Metal Parts



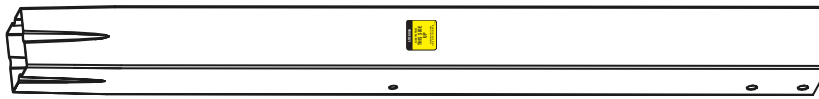
ALH (x1)



ALL (x1)



ALF (x1)



ALE (x1)



Warning Sticker



TOOLS REQUIRED



9/16"

(2)



Electric Drill



Scrap Wood



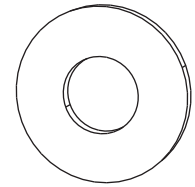
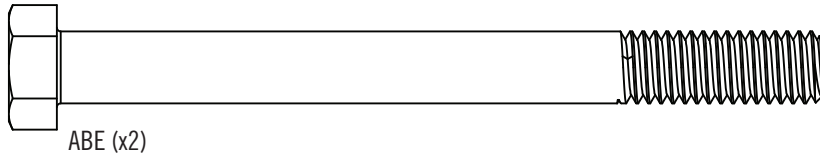
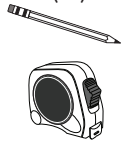
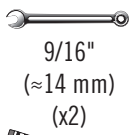
Measuring Tape



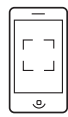
Pencil

SECTION 1 (CONTINUED)

TOOLS AND HARDWARE REQUIRED



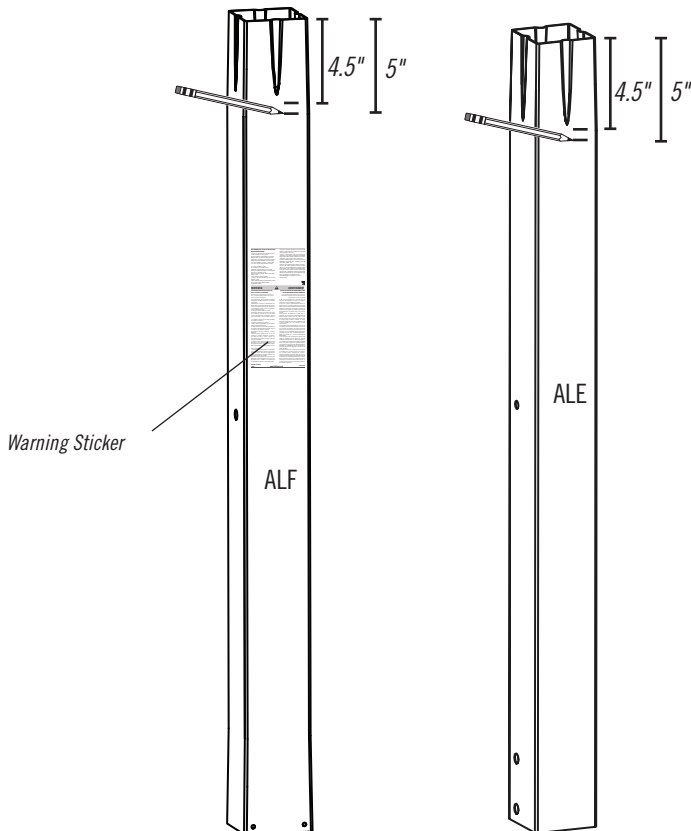
- If you have trouble with this section, scan the code below to view a video on how to assemble the pole.



- <http://go.lifetime.com/90734-mammothportable-sec1>

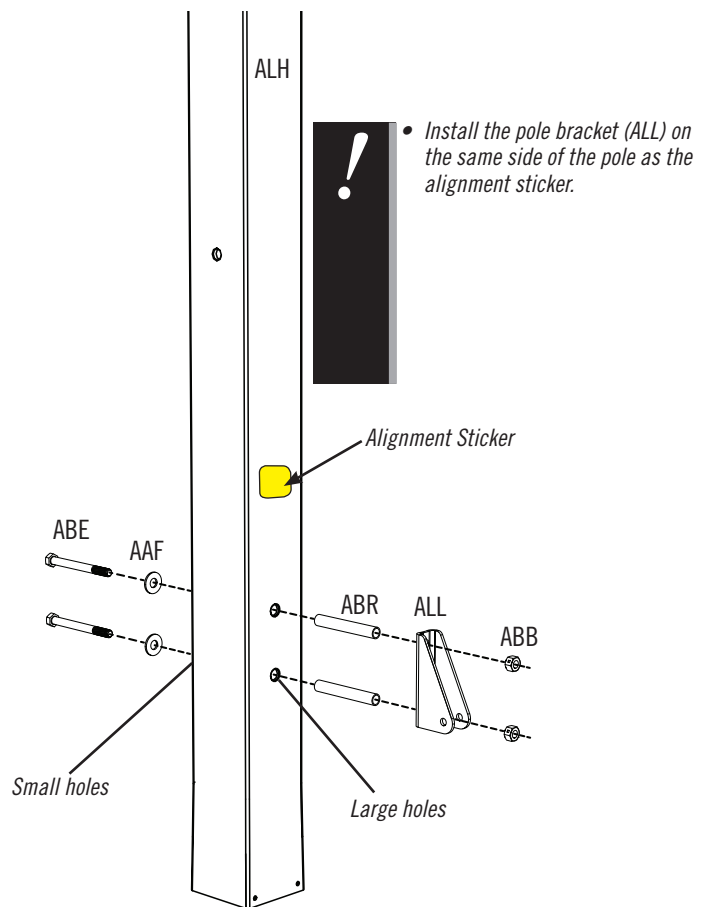
1.1

- Use a pencil to mark small lines 4.5" and 5" from the top of the **middle** and **bottom poles (ALF and ALE)**.



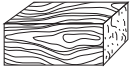
1.2

- Secure the **pole bracket (ALL)** to the **top pole (ALH)** with the hardware as shown.



► SECTION 1 (CONTINUED)

TOOLS AND HARDWARE REQUIRED



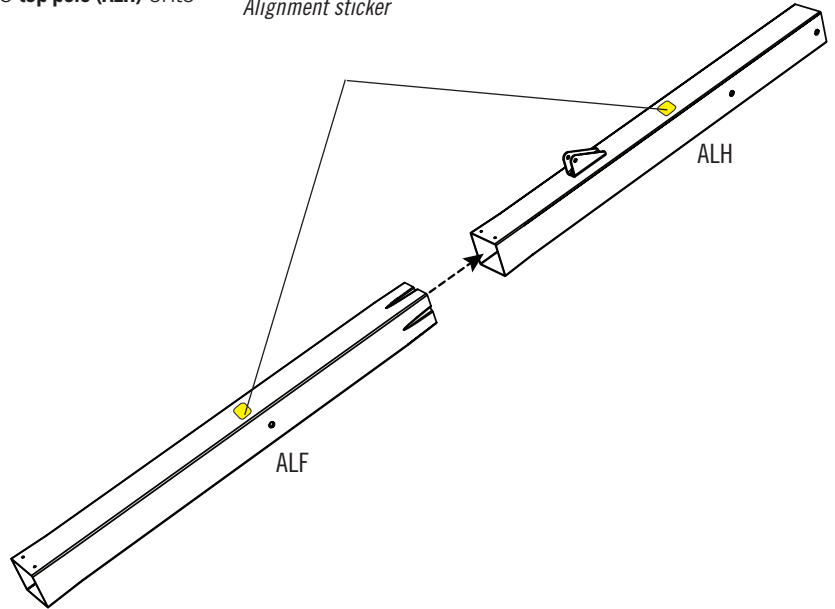
(1)



1.3

- Ensure the **pole alignment stickers** are on the same side of the pole assembly as the pole bracket. Slide the **top pole (ALH)** onto the **middle pole (ALF)** as shown.

Alignment sticker



1.4

ATTENTION: THIS STEP CANNOT BE REVERSED!

- In order to seat the poles, strike the end of the pole very hard five to six times on a piece of scrap wood or cardboard. The **top pole (ALH)** should come down until it covers the 4.5" (≈11.43 cm) pencil mark at the top of the **middle pole (ALF)**. It must go no further than the 5" (≈12.7 cm) mark. **DO NOT STRIKE your feet with the pole sections, as serious injury may occur.**



- If the 4.5" (11.43 cm) pencil mark on the middle pole is not completely covered after seating, **DO NOT COMPLETE ASSEMBLY**. Call our customer service department.



WARNING

The poles must be seated together! The pole assembly must be struck on a hard surface five to six times! Failure to seat the poles correctly could allow the poles to separate during use, which could lead to serious personal injuries or property damage.

► SECTION 1 (CONTINUED)

TOOLS AND HARDWARE REQUIRED

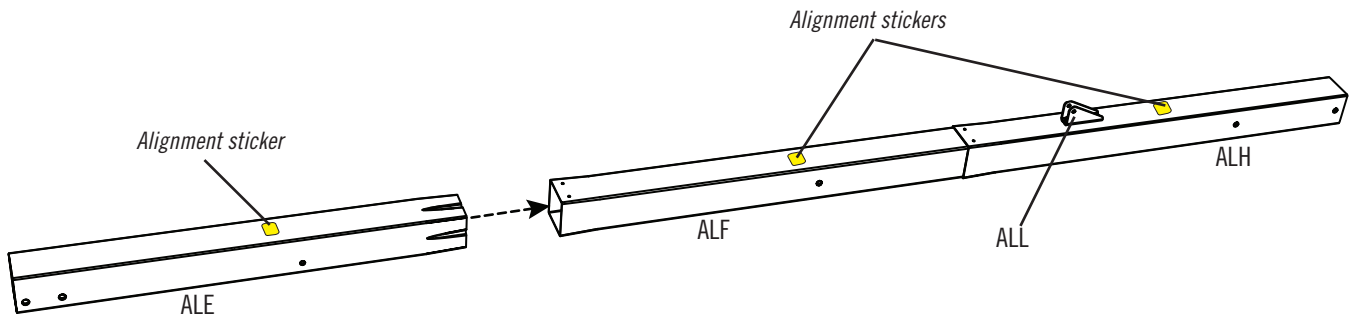


(1)



1.5

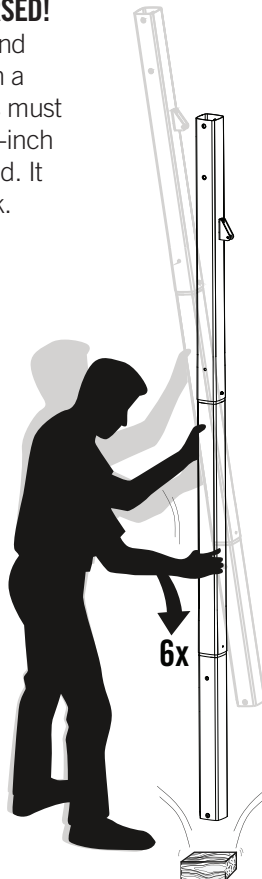
- Slide the **middle pole (ALF)** onto the **bottom pole (ALE)** as shown. Make sure the **alignment sticker** on the bottom pole faces the same direction as the stickers on the top and middle poles. The off-center holes in the bottom pole should be oriented as shown, away from the side of the pole with the **pole bracket (ALL)**.



1.6

ATTENTION: THIS STEP CANNOT BE REVERSED!

- In order to seat the poles, strike each end of the pole very hard five to six times on a piece of scrap wood or cardboard. This must be done even if the poles cover the 4.5-inch pencil mark before seating has occurred. It must go no further than the 5-inch mark.



- If the 4.5-Inch pencil marks on the middle and bottom poles are not completely covered after seating, **DO NOT COMPLETE ASSEMBLY**. Call our Customer Service Department.



- Do not strike your feet with the pole sections, as serious injury may occur.

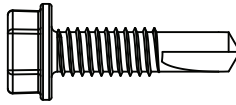


WARNING

The poles must be seated together! The pole assembly must be struck on a hard surface five to six times! Failure to seat the poles correctly could allow the poles to separate during use, which could lead to serious personal injuries or property damage.

► SECTION 1 (CONTINUED)

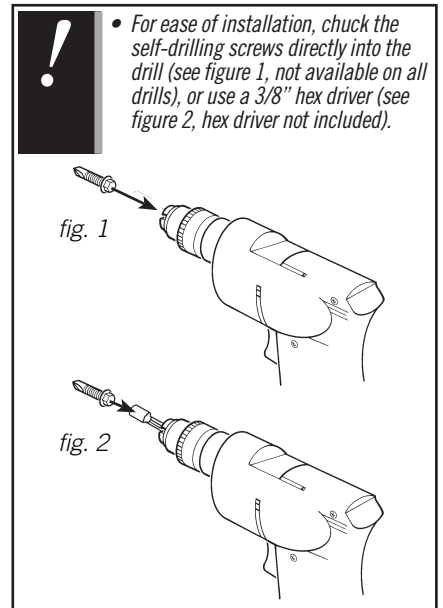
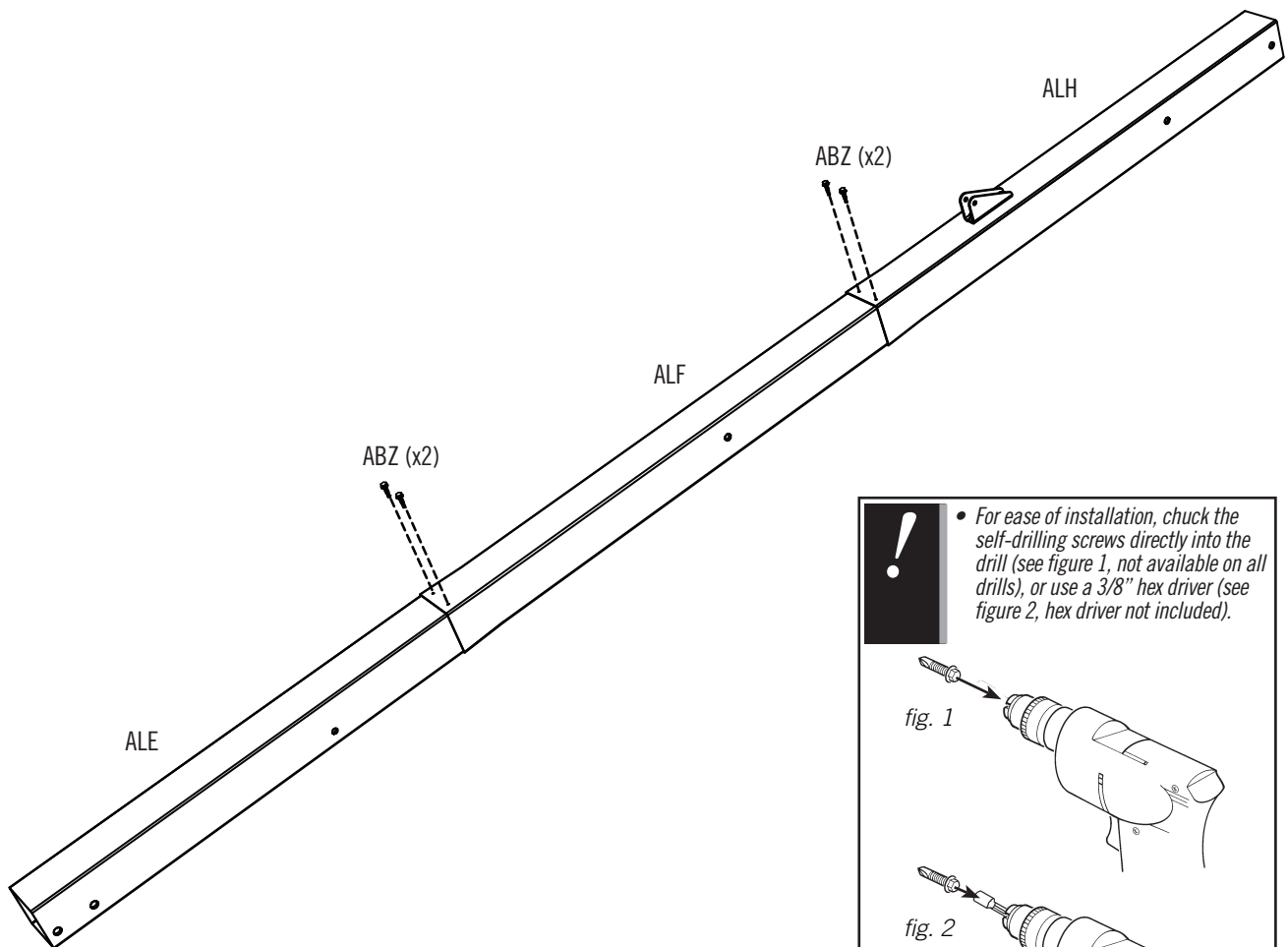
TOOLS AND HARDWARE REQUIRED



ABZ (x4)

1.7

- After the poles have been seated, insert two **self-drilling screws (ABZ)** into the back of the pole as shown. These screws are designed to drill through the metal of the underlying pole section.



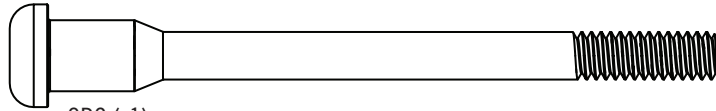
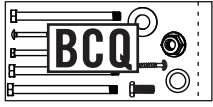
2

POLE-TO-BASE ASSEMBLY

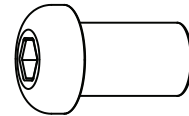


HARDWARE REQUIRED

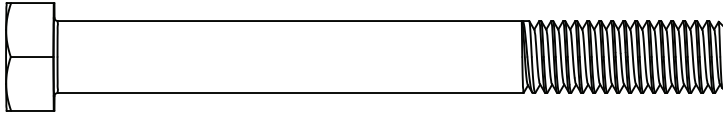
Hardware Blister Pack



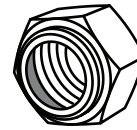
GRC (x1)



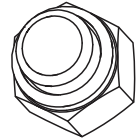
BTS (x1)



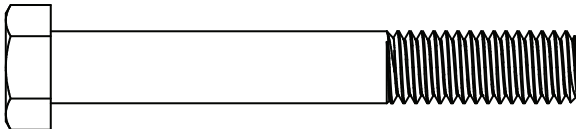
ABH (x4)



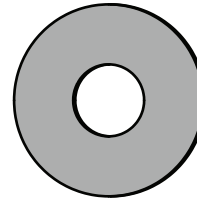
AAO (x2)



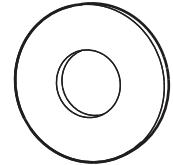
AOH (x6)



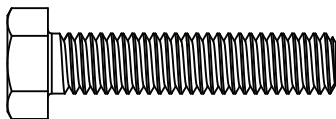
GDI (x2)



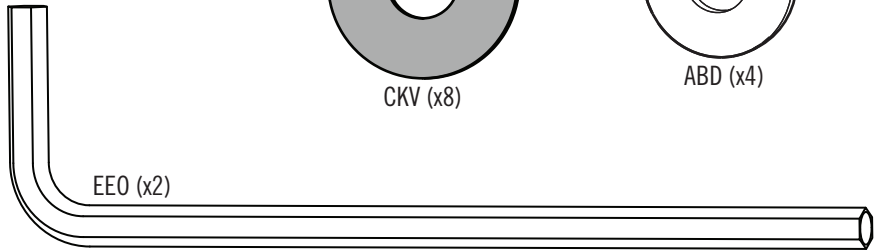
CKV (x8)



ABD (x4)

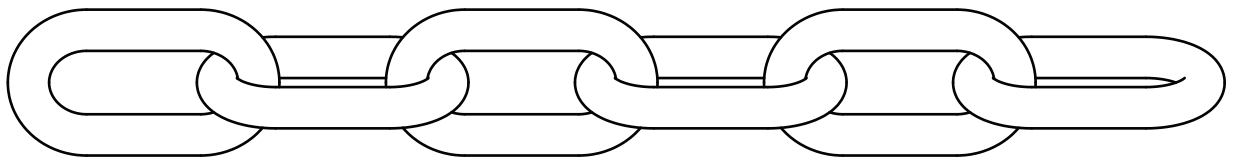


GRE (x2)



EE0 (x2)

Hardware Bag

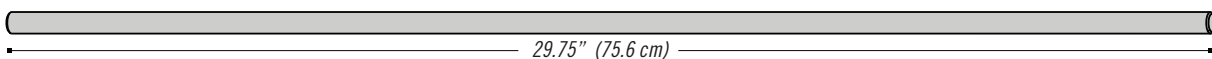


CNC (x2)



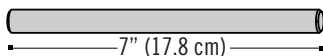
PARTS REQUIRED

Metal Parts (Shown at 20% Actual Size)



29.75" (75.6 cm)

GDD (x1)



7" (17.8 cm)

AJE (x1)

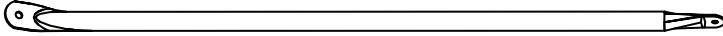
2

POLE-TO-BASE ASSEMBLY

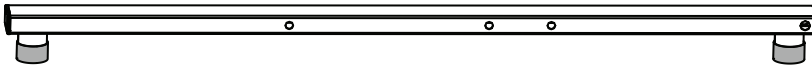


PARTS REQUIRED (CONTINUED)

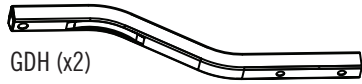
Metal Parts (Shown at 10% Actual Size)



ALI (x2)



GDG (x2)

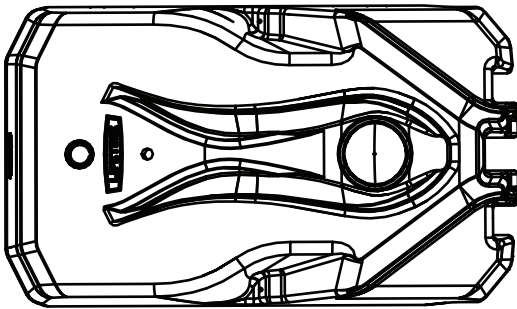


GDH (x2)

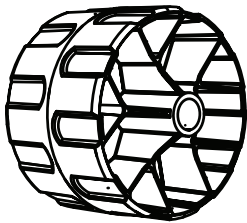


GDF (x1)

Plastic Parts



AJM (x1)



AMU (x4)



TOOLS REQUIRED

9/16" (≈15 mm)

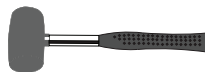


(2)

1/2" (≈13 mm)



(2)



(1)

3/16" (≈5 mm)



(2, included)

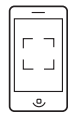
▶ SECTION 2 (CONTINUED)

TOOLS AND HARDWARE REQUIRED



- If you have trouble with this section, scan the code below to view a video on its assembly.

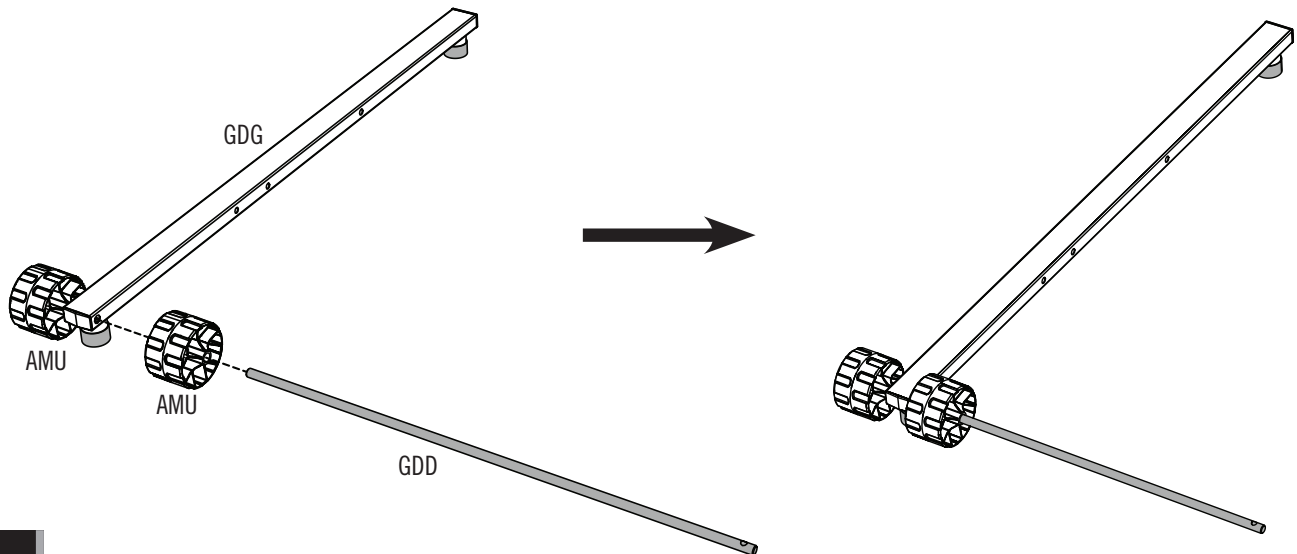
 YouTube



- <http://go.lifetime.com/90734-mammothportable-sec2>

2.1

- Slide one end of the **long axle (GDD)** through two **wheels (AMU)** and one **base frame tube (GDG)**. Position the parts as shown, with one wheel on each side of the base frame tube.

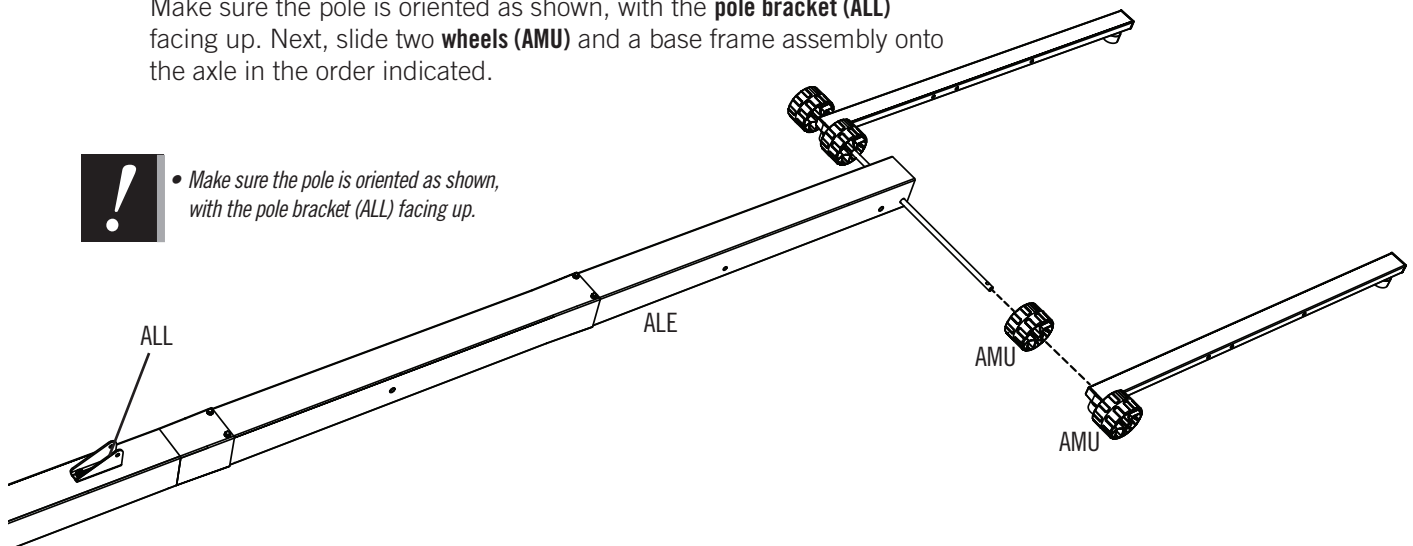


2.2

- Slide the axle through the hole at the bottom of the **bottom pole (ALE)**. Make sure the pole is oriented as shown, with the **pole bracket (ALL)** facing up. Next, slide two **wheels (AMU)** and a base frame assembly onto the axle in the order indicated.

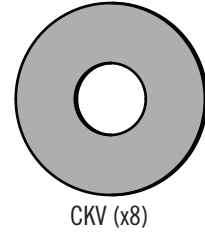
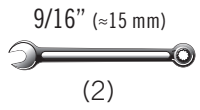


- *Make sure the pole is oriented as shown, with the pole bracket (ALL) facing up.*



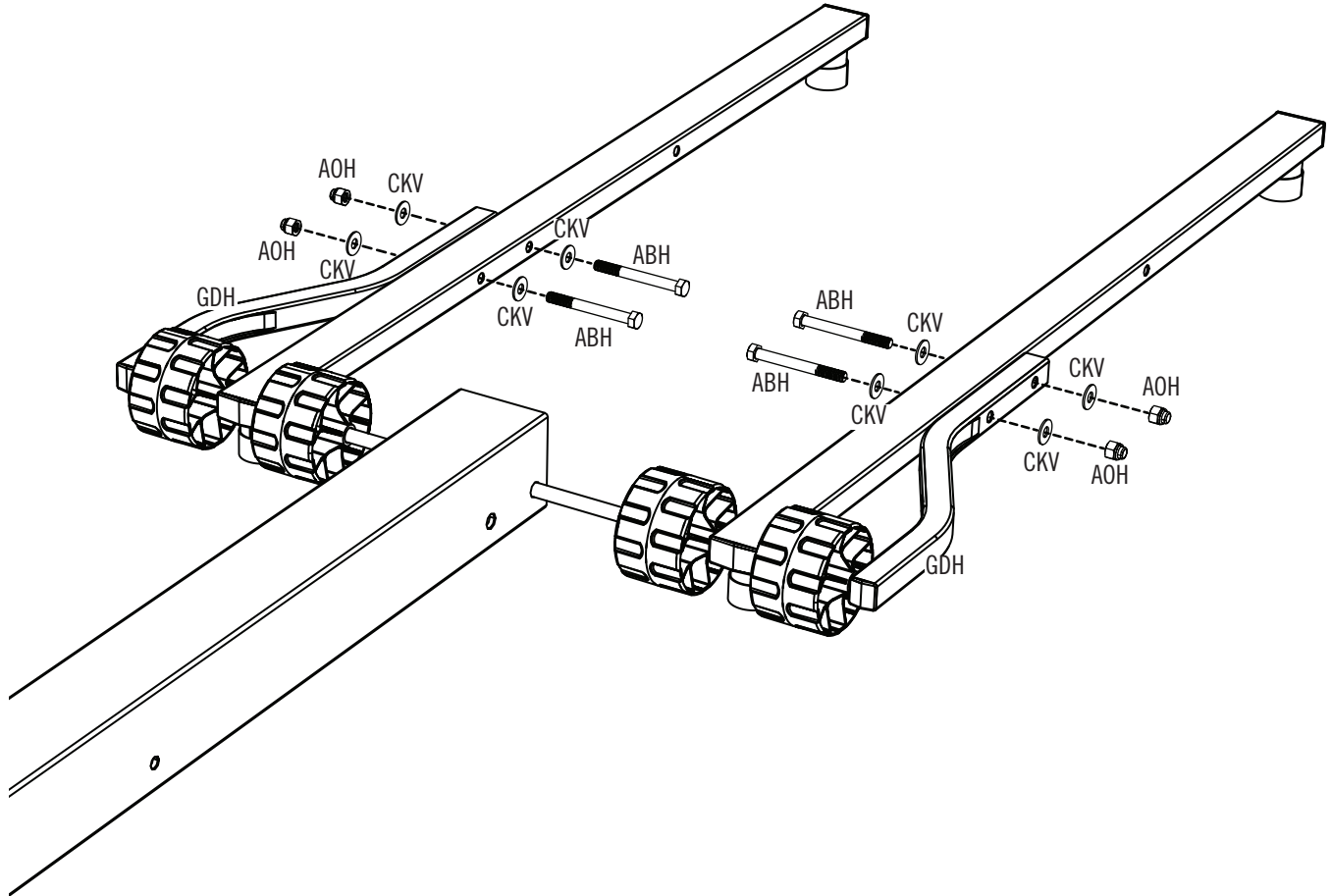
SECTION 2 (CONTINUED)

TOOLS AND HARDWARE REQUIRED



2.3

- Secure the **outer support tubes (GDH)** to the base frame tubes as shown.



► SECTION 2 (CONTINUED)

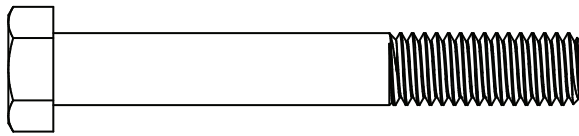
TOOLS AND HARDWARE REQUIRED



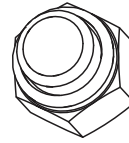
(2)



(1)



GDI (x2)



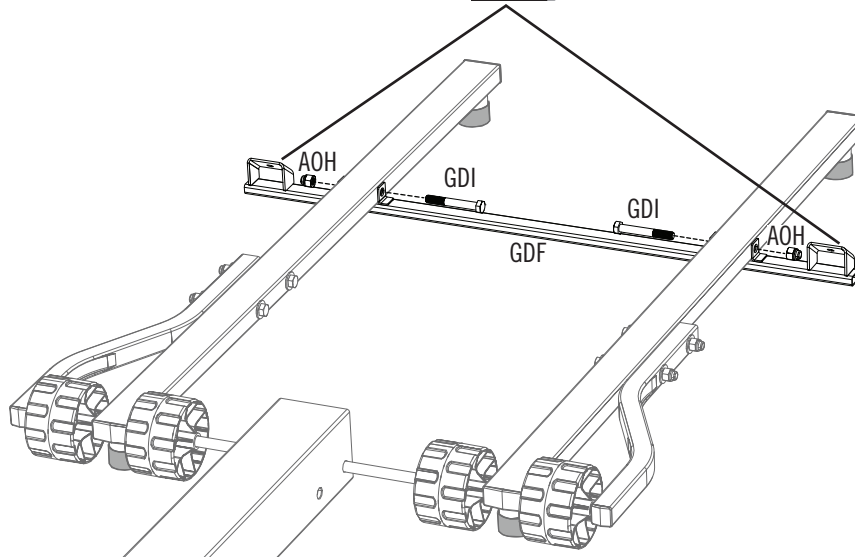
AOH (x2)

2.4

- Secure the **cross brace (GDF)** to the underside of the base support tubes. Use a rubber mallet, if necessary, to tap the bolts into place.

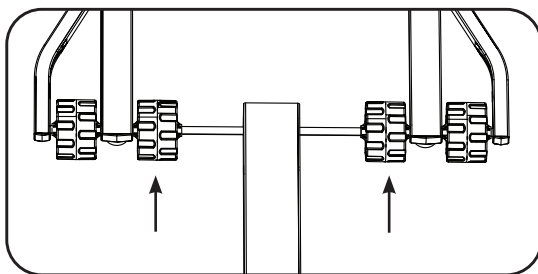


- *Make sure the brackets on the cross brace (GDF) are angled as shown.*



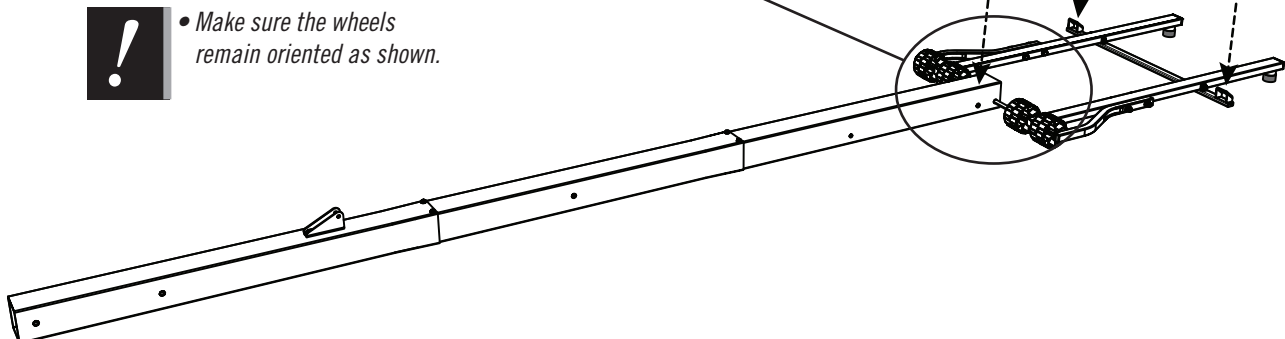
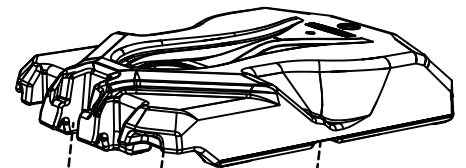
2.5

- Place the base (AJM) on the base frame assembly as shown.



- *Make sure the wheels remain oriented as shown.*

AJM



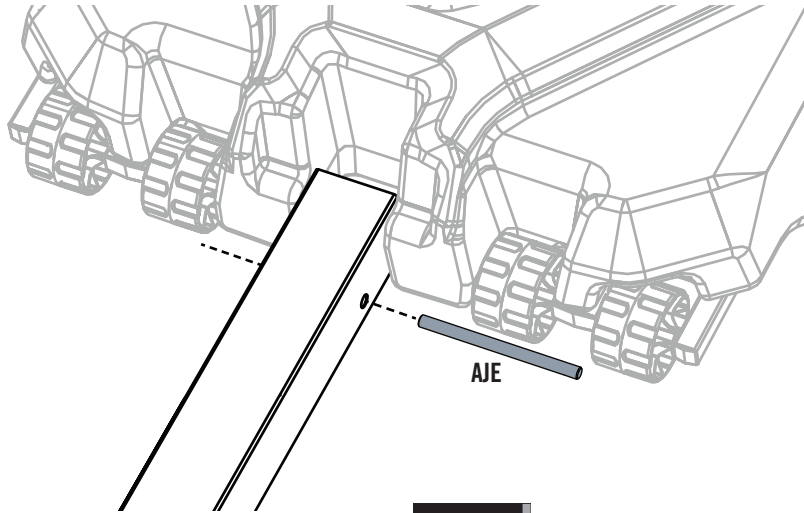
► SECTION 2 (CONTINUED)

TOOLS AND HARDWARE REQUIRED



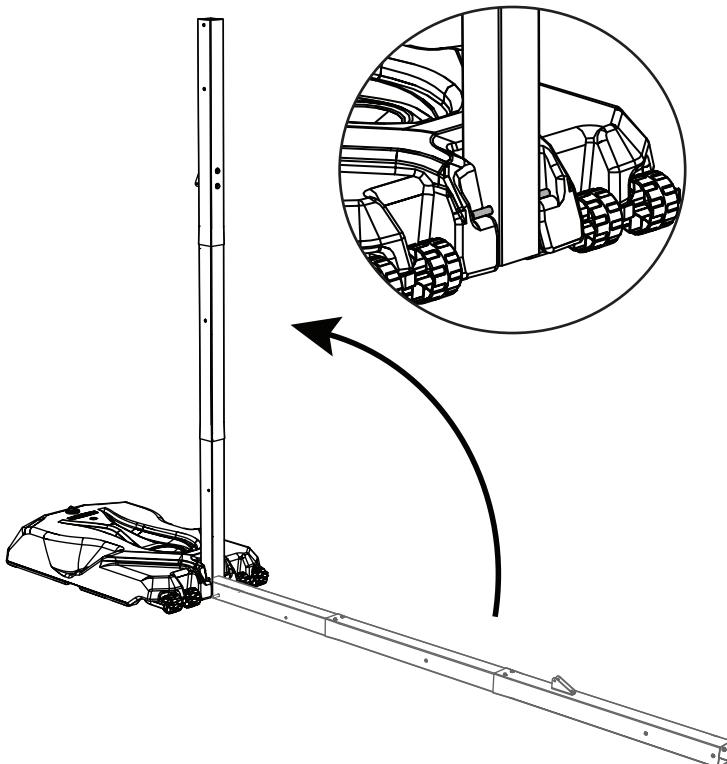
2.6

- Slide the **small axle (AJE)** into the **bottom pole (ALE)** in the location shown.



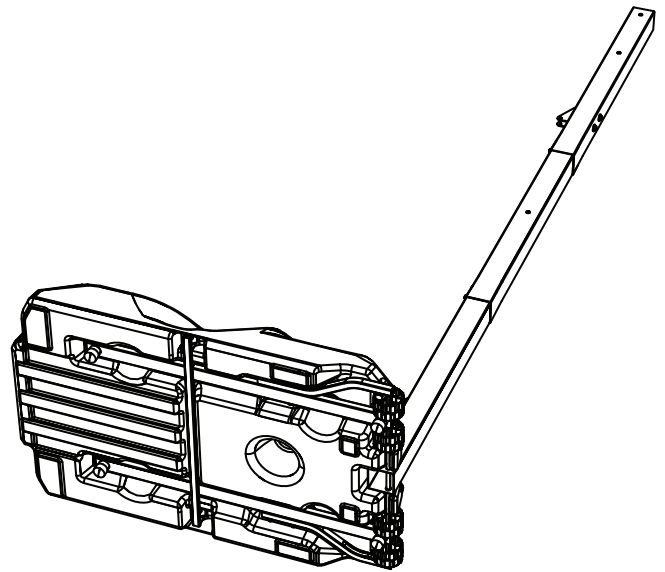
2.7

- Raise the pole assembly until the small axle pops into place on the base.



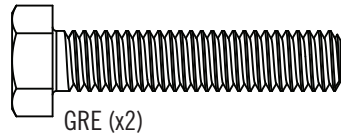
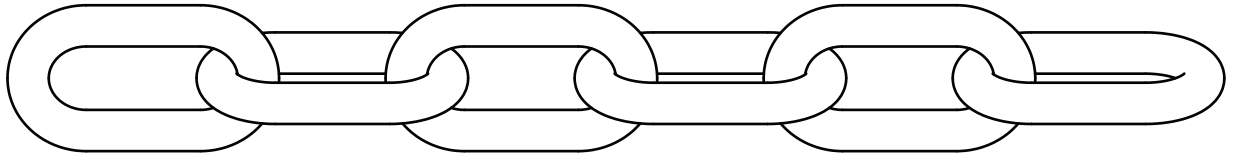
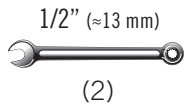
2.8

- Carefully rest the system on its side.



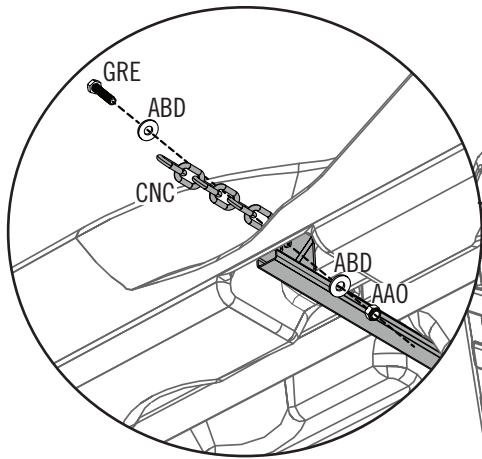
SECTION 2 (CONTINUED)

TOOLS AND HARDWARE REQUIRED



2.9

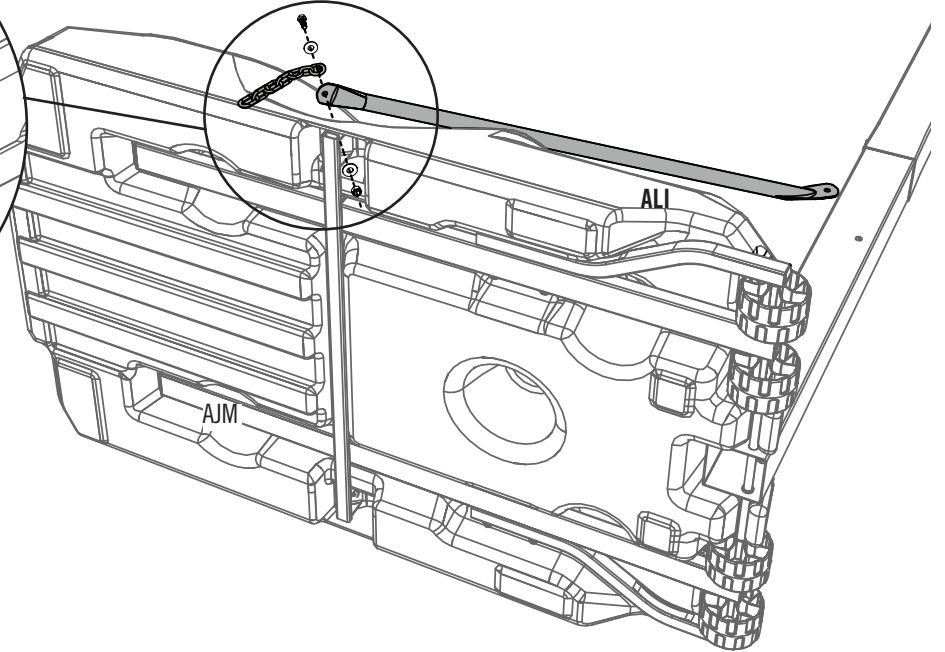
- While on its side, attach the flattened end of the **pole brace (ALI)** to the **base (AJM)** with the hardware shown. Install the **chain (CNC)** between the washer and the pole brace. *Only finger tighten the hardware for now.*



View from underneath

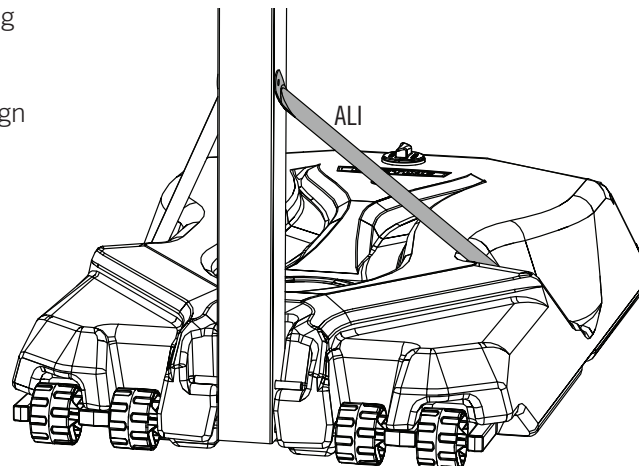


- The chains require cement anchors to secure the system to the ground. See the final assembly section for detailed instructions on installing the cement anchors.



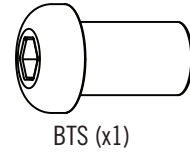
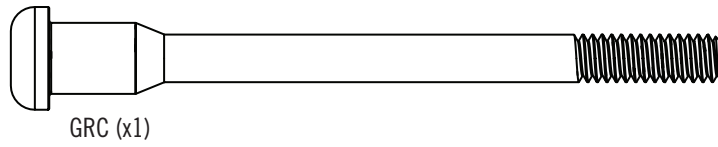
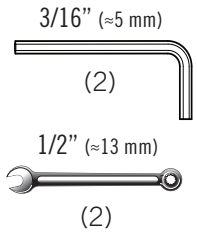
2.10

- Repeat step 2.9 To install the remaining **pole brace (ALI)** and **chain (CNC)** to the other side of the base. Make sure the unattached ends of the pole braces align with the bottom pole as shown.



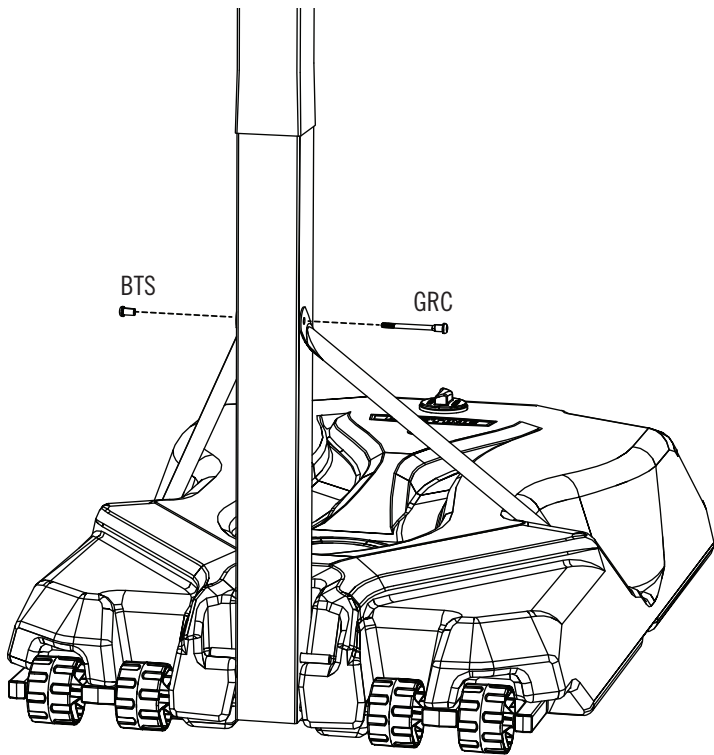
► SECTION 2 (CONTINUED)

TOOLS AND HARDWARE REQUIRED



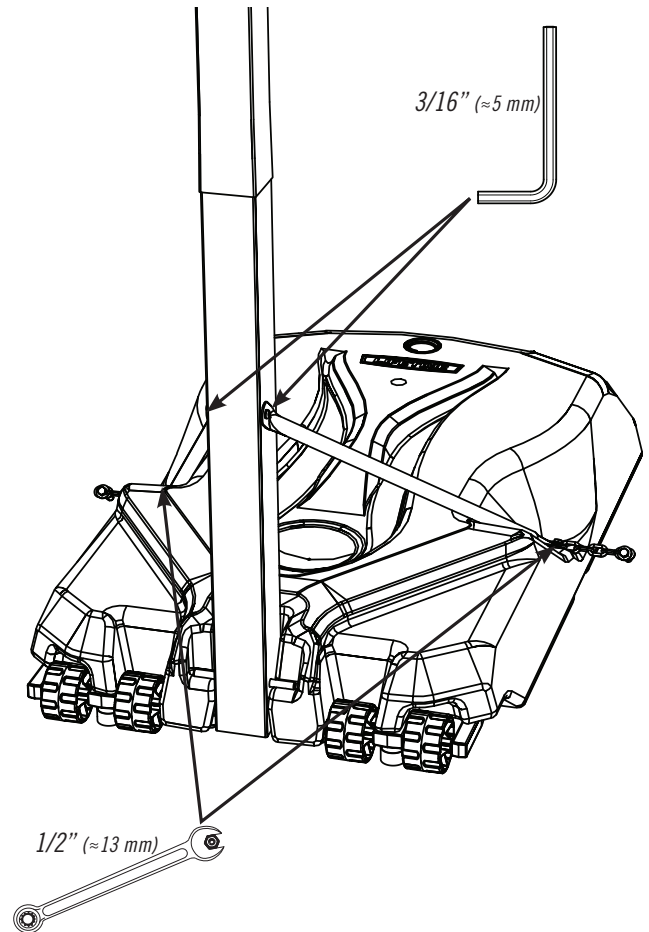
2.11

- Attach the **Pole Braces (ALI)** to the **Bottom Pole (ALE)** with the hardware shown.



2.12

- Tighten the hardware from this section before continuing with the assembly.



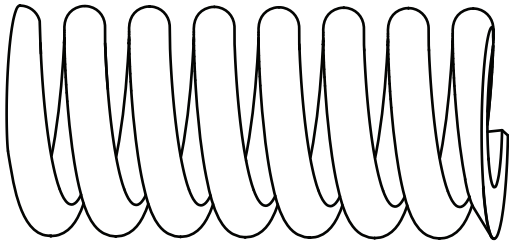
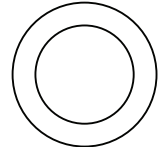
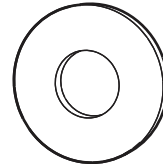
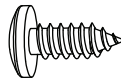
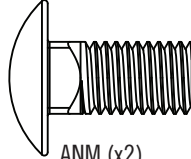
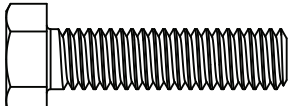
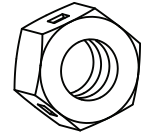
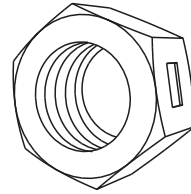
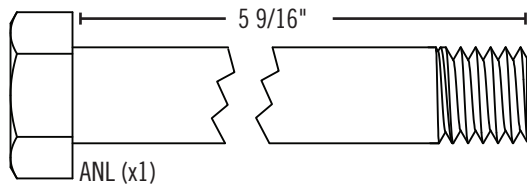
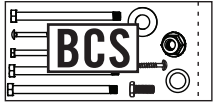
3

BACKBOARD-TO-RIM ASSEMBLY

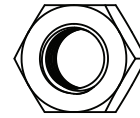


HARDWARE REQUIRED

Hardware Blister Pack

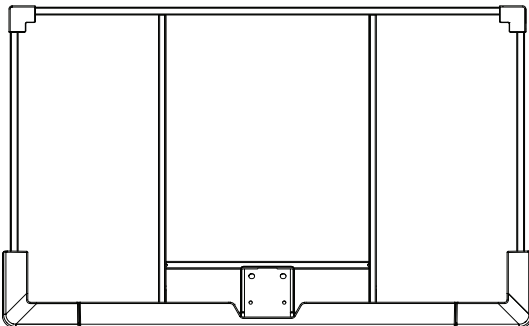


BGZ (x1)

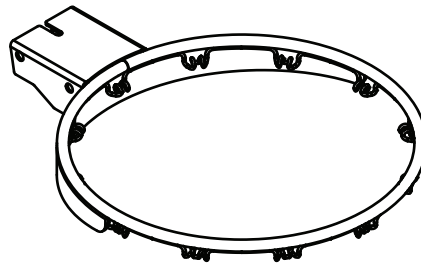


PARTS REQUIRED

Metal Parts



AJI (x1)



ALX (x1)

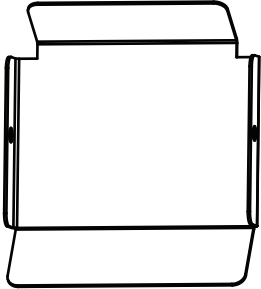
3

BACKBOARD-TO-RIM ASSEMBLY

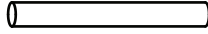


PARTS REQUIRED

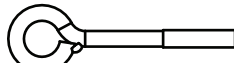
Metal Parts



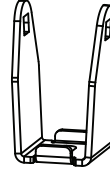
AMA (x1)



BPZ (x1)



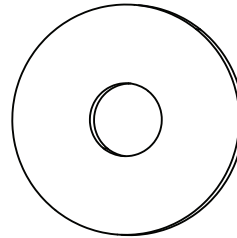
BQA (x1)



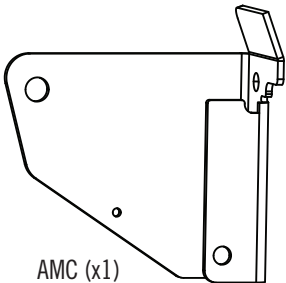
AMK (x1)



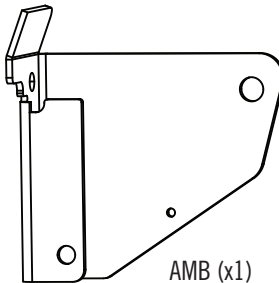
ALY (x1)



ANO (x1)

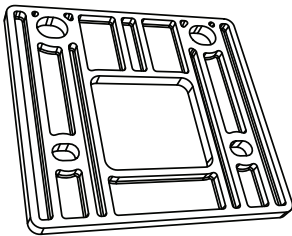


AMC (x1)



AMB (x1)

Plastic Parts



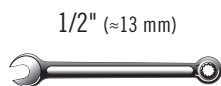
BGY (x1)



TOOLS REQUIRED

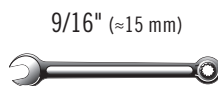


(1)



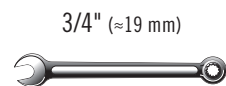
1/2" (≈13 mm)

(2)



9/16" (≈15 mm)

(1)

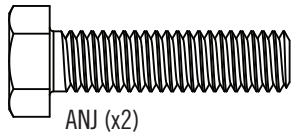


3/4" (≈19 mm)

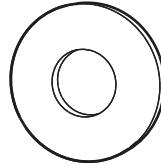
(2)

► SECTION 3 (CONTINUED)

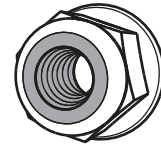
TOOLS AND HARDWARE REQUIRED



ANJ (x2)



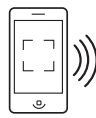
ABD (x2)



ABK (x2)



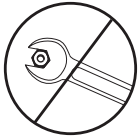
- If you have trouble with this section, scan the code below to view a video on its assembly.



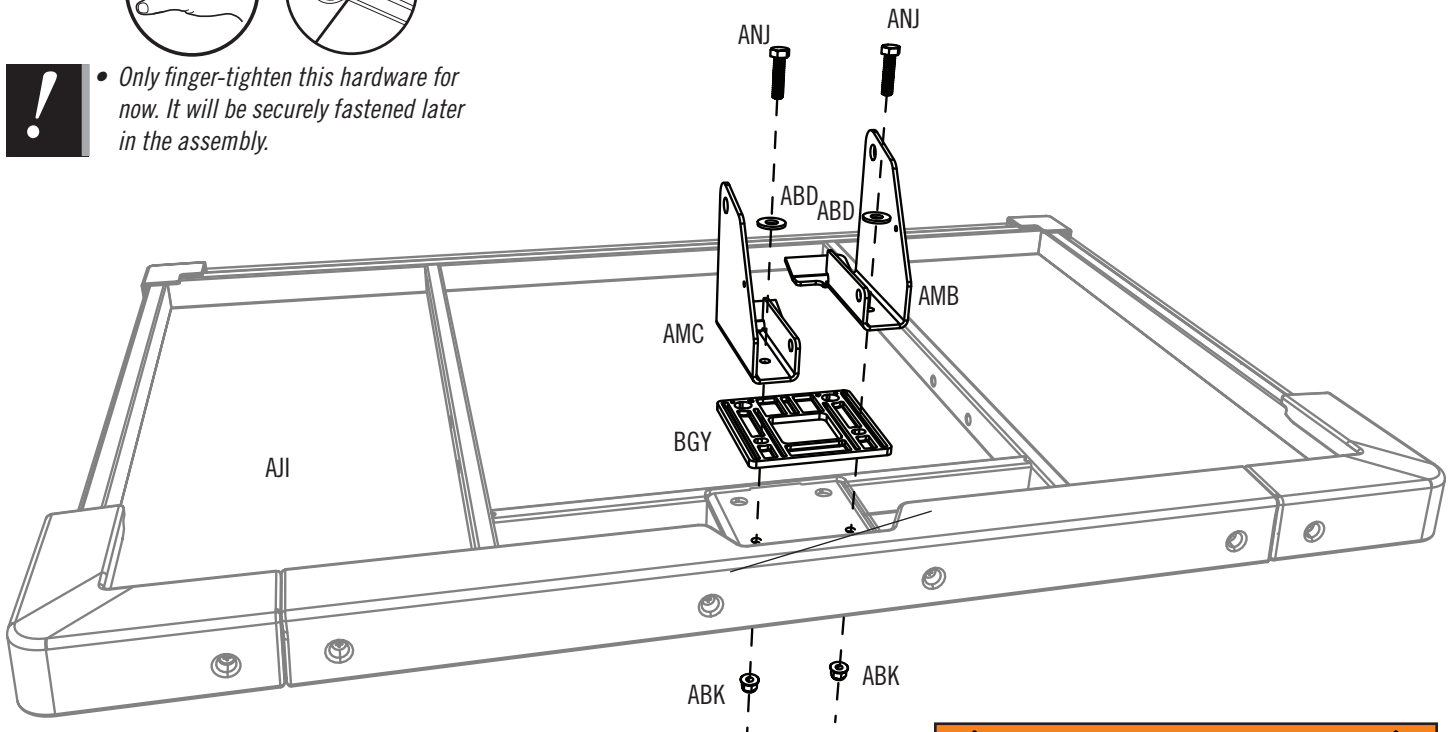
- <http://go.lifetime.com/90734-mammothportable-sec3>

3.1

- Lay the **backboard (AJI)** face up with the rim holes exposed over the edge of a table. Place the **rim impact spacer (BGY)** in the backboard. Add the **left and right rim housings (AMC and AMB)** on top of the rim impact spacer and slide the hardware shown into place. **Tighten only by hand for now.**



- *Only finger-tighten this hardware for now. It will be securely fastened later in the assembly.*

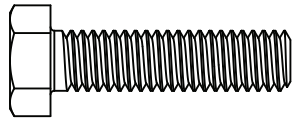


WARNING

The Glass Backboard will break if the Rim Spacer is not installed as shown in this step. This may result in personal injury or property damage.

► SECTION 3 (CONTINUED)

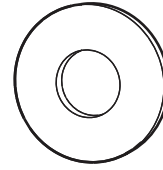
TOOLS AND HARDWARE REQUIRED



ANJ (x2)



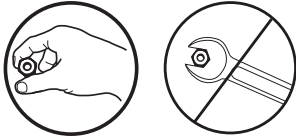
ABK (x2)



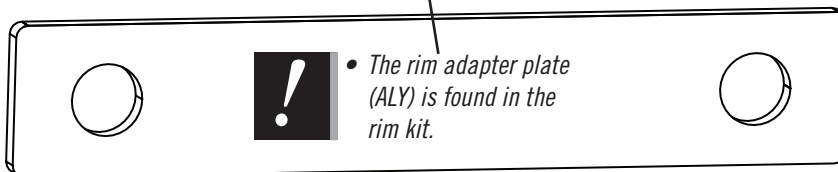
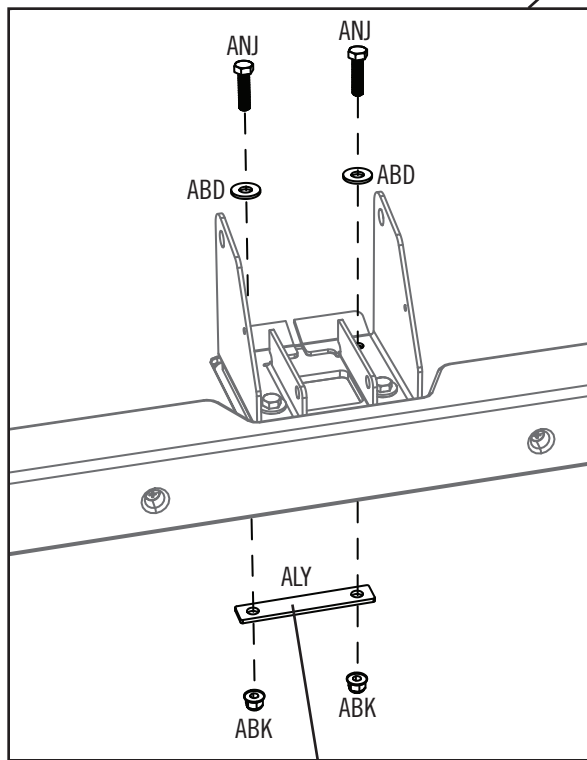
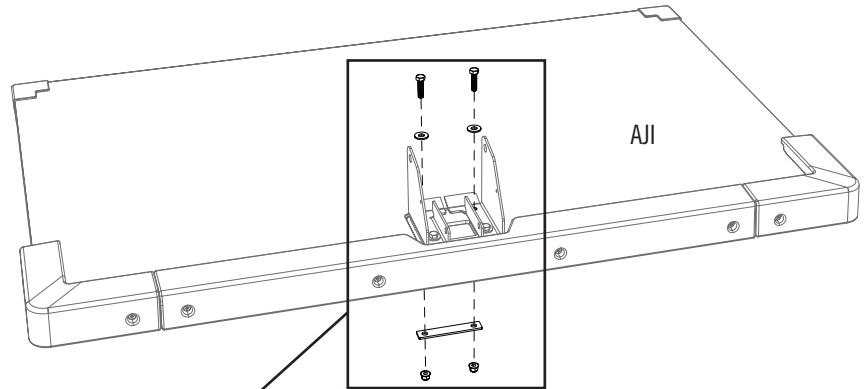
ABD (x2)

3.2

- Secure the **rim adapter plate (ALY)** to the **backboard (AJI)** by using the hardware as shown. **Tighten only by hand for now.**

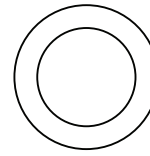
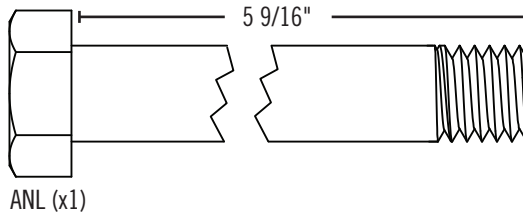


- Only finger-tighten this hardware for now. It will be securely fastened later in the assembly.*

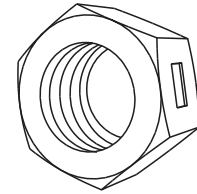


► SECTION 3 (CONTINUED)

TOOLS AND HARDWARE REQUIRED



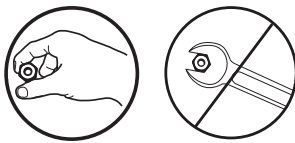
ANK (x2)



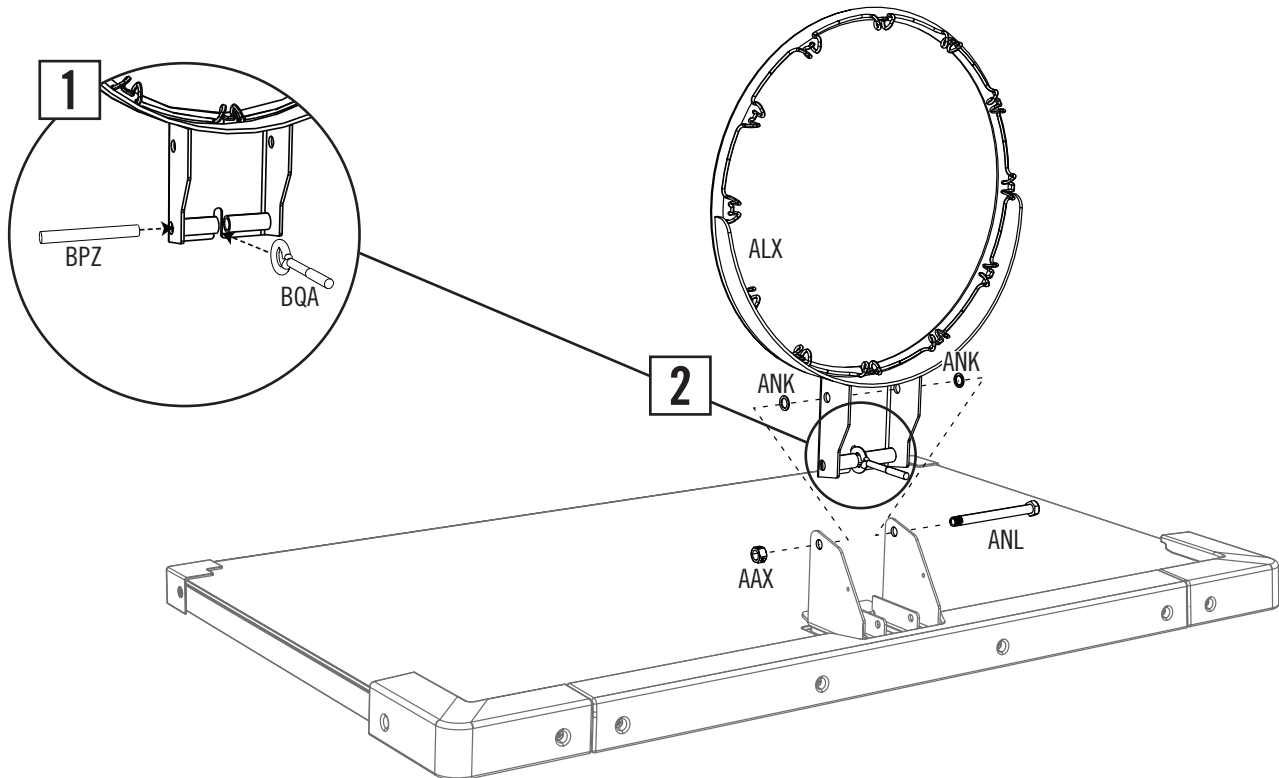
AAX (x1)

3.3

- Slide the end of the **rim pin (BPZ)** into the **rim (ALX)** and through the **eye bolt (BQA)** in the location indicated. Attach the rim to the rim housing using the hardware shown, making sure the **nylon washers (ANK)** rest between the rim and the rim housing. **Tighten only by hand for now.**

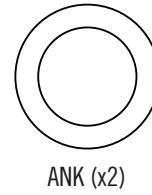
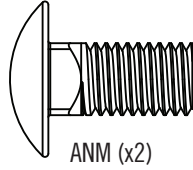
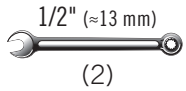


- Only finger-tighten this hardware for now. It will be securely fastened later in the assembly.*



SECTION 3 (CONTINUED)

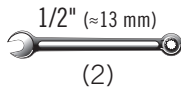
TOOLS AND HARDWARE REQUIRED



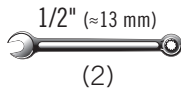
3.4

- Securely tighten the hardware from steps 3.1 and 3.2.

3.1

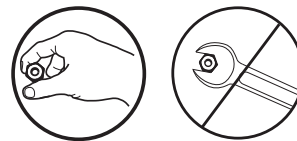
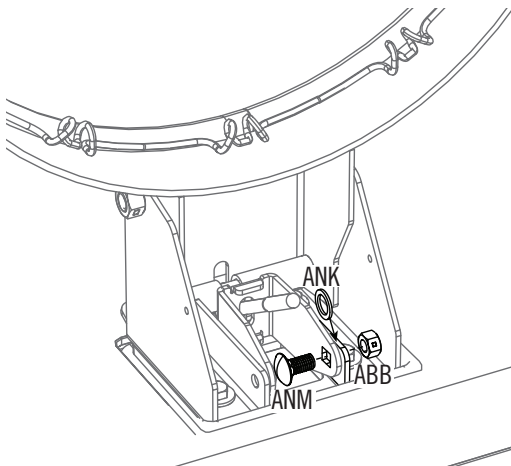
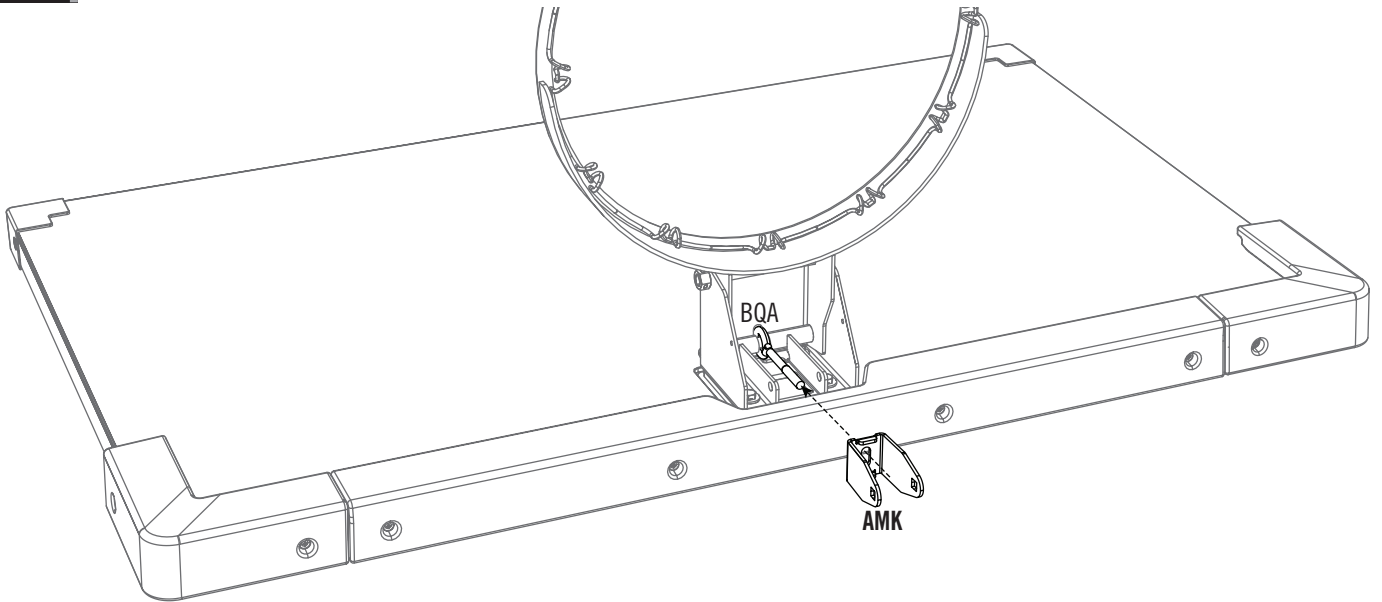


3.2

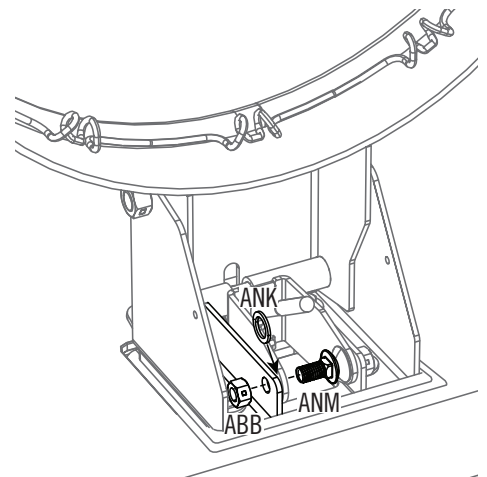


3.5

- Slide the **spring holder clevis (AMK)** onto the **eye bolt (BQA)** and secure with the hardware shown. **Tighten only by hand for now.**

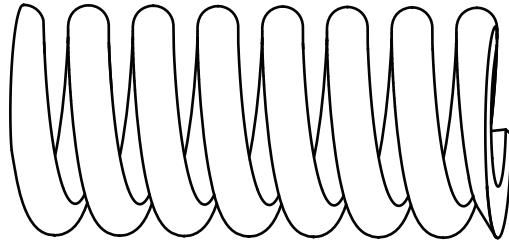
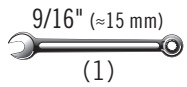


- Only finger-tighten this hardware for now.

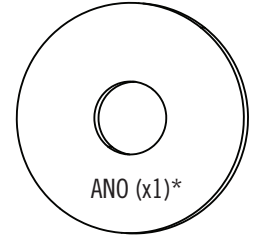


SECTION 3 (CONTINUED)

TOOLS AND HARDWARE REQUIRED



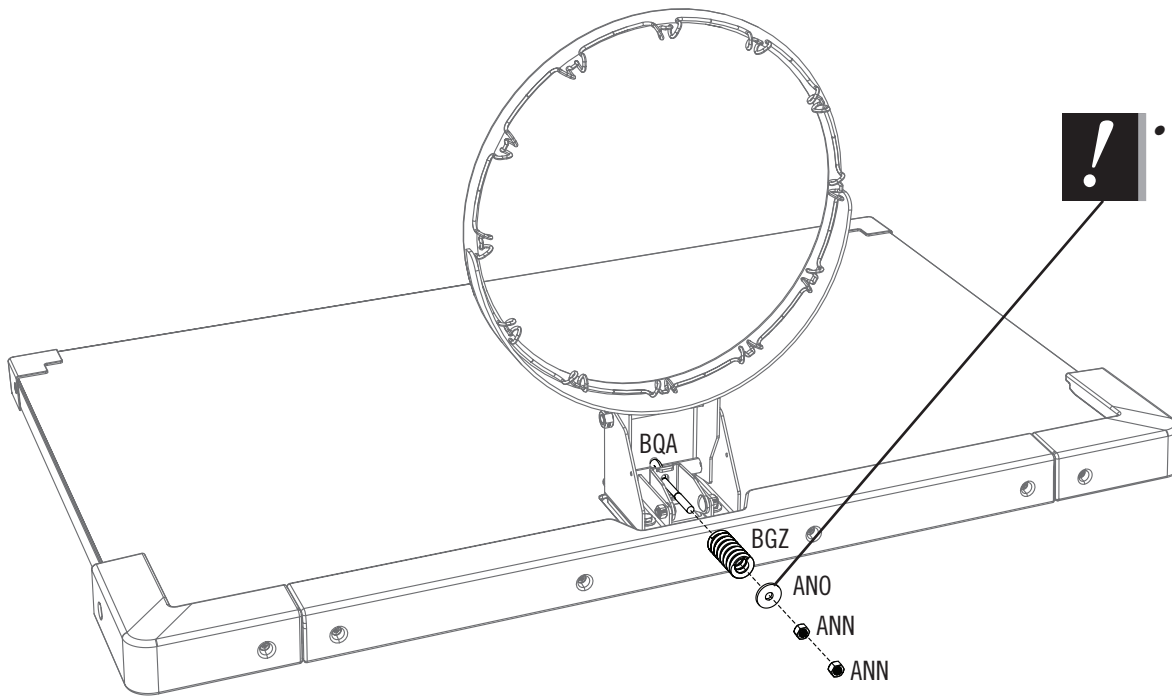
BGZ (x1)



• Washer (ANO) is found in the rim kit.

3.6

- Slide the **compression spring (BGZ)** onto the **eye bolt (BQA)**, and secure with the hardware shown. Tighten the **3/8" zinc nuts (ANN)** to adjust the rim tension.

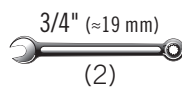


• Washer (ANO) is found in the rim kit.

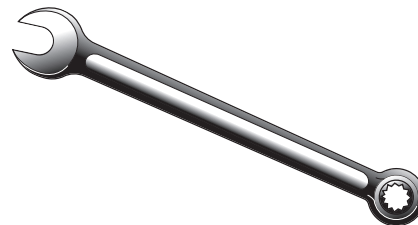
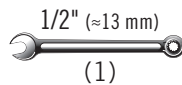
3.7

- Securely tighten the hardware from steps 3.3 and 3.5 in the order they were assembled.

3.3

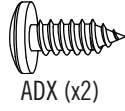


3.5



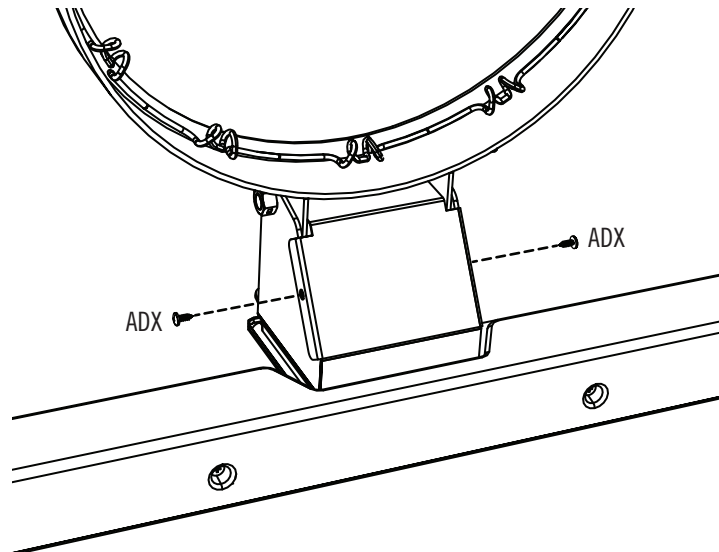
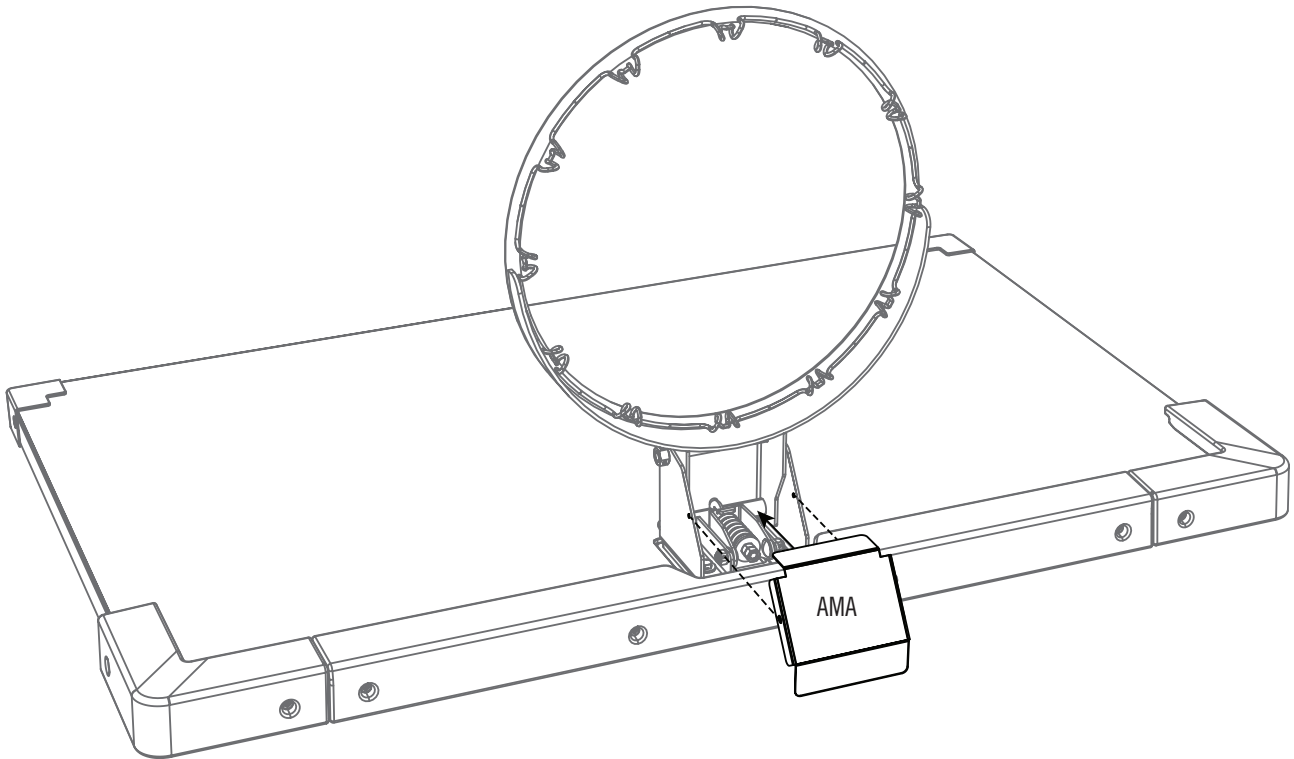
► SECTION 3 (CONTINUED)

TOOLS AND HARDWARE REQUIRED



3.8

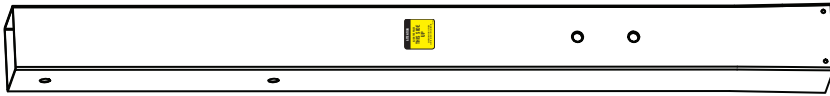
- Attach the **rim cover plate (AMA)** to the rim.



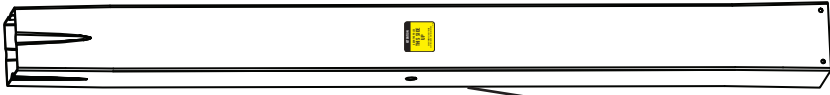


PARTS IDENTIFIER

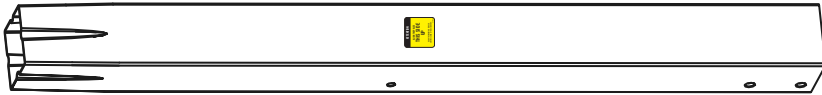
Metal Parts



ALH (x1)



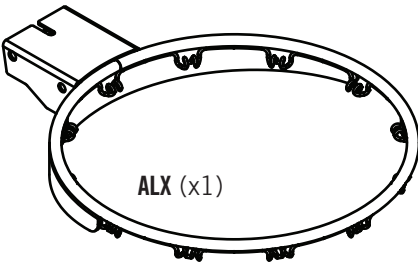
ALF (x1)



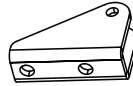
ALE (x1)



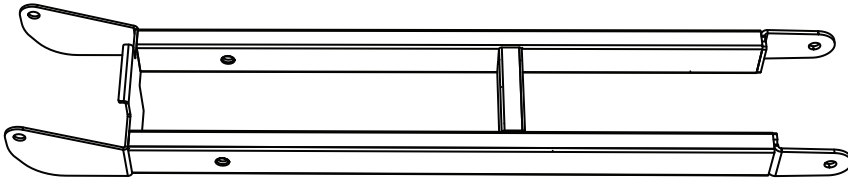
Warning Sticker on opposite side.



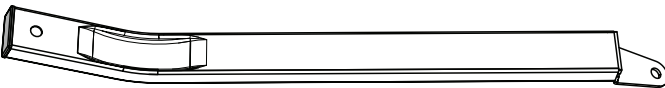
ALX (x1)



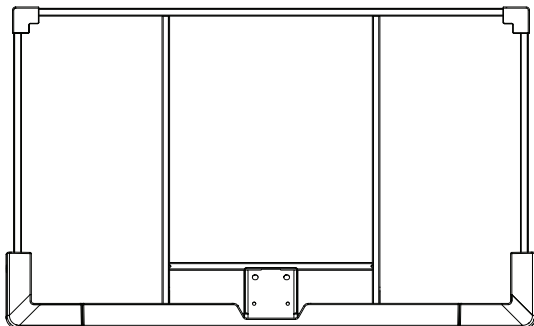
ALL (x1)



AKE (x1)



BGO (x2)



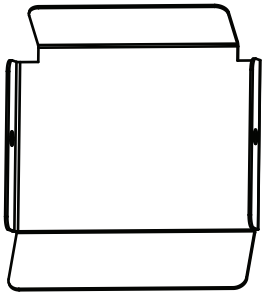
AJI (x1)

Detach this yellow section for use as a quick reference

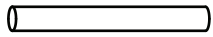


PARTS IDENTIFIER

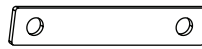
Metal Parts



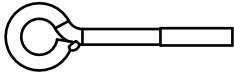
AMA (x1)



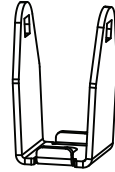
BPZ (x1)



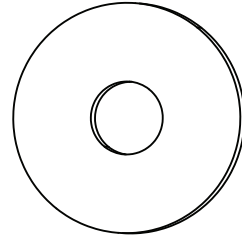
ALY (x1)



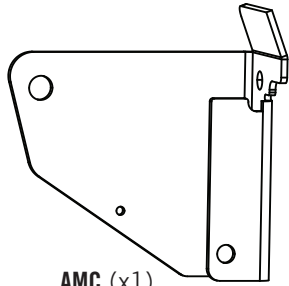
BQA (x1)



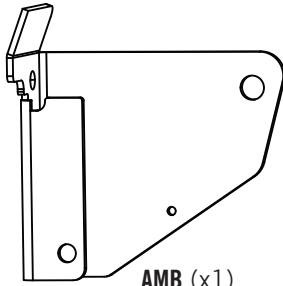
AMK (x1)



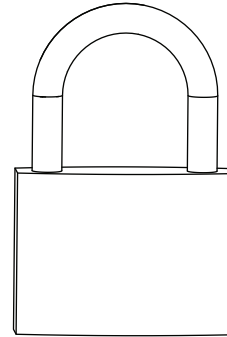
ANO (x1)



AMC (x1)



AMB (x1)



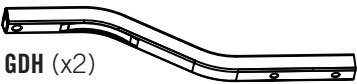
ALC (x1)



ALS (x2)



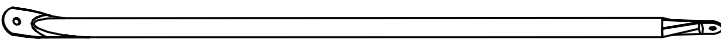
GDG (x2)



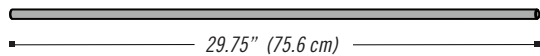
GDH (x2)



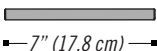
GDF (x1)



ALI (x2)



GDD (x1)



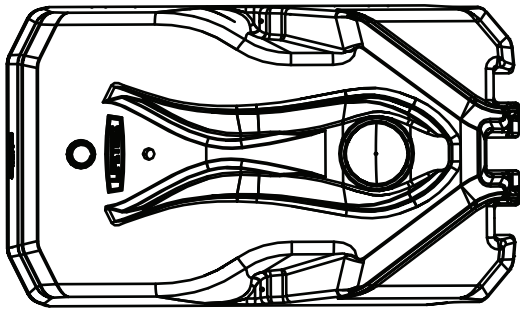
AJE (x1)

Detach this yellow section for use as a quick reference

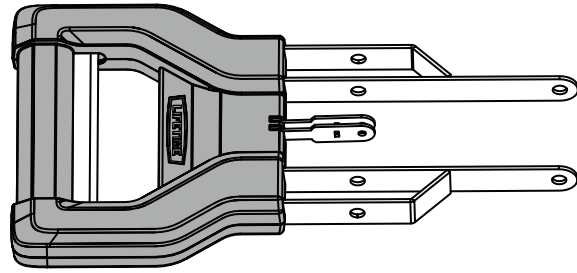


PARTS IDENTIFIER

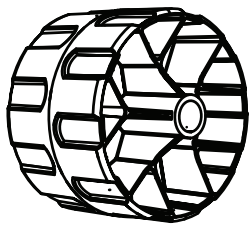
Plastic Parts



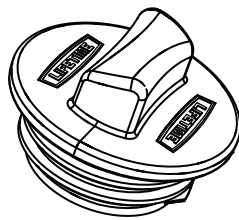
AJM (x1)



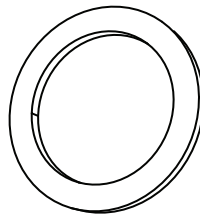
AKI (x1)



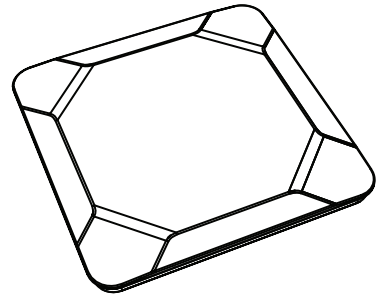
AMU (x4)



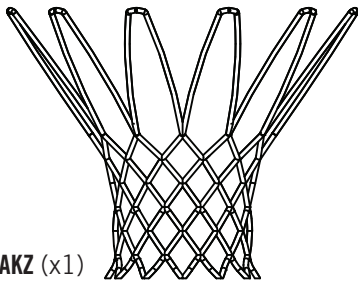
FIQ (x1)



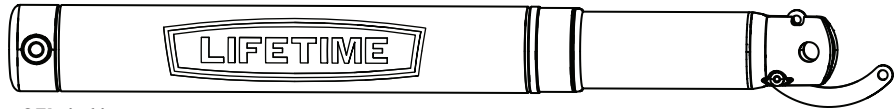
FIR (x1)



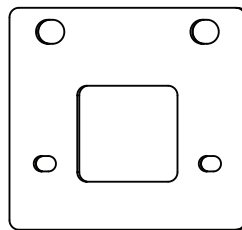
ALM (x1)



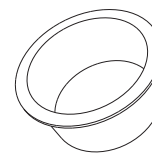
AKZ (x1)



GFL (x1)



BGY (x1)

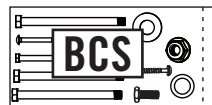


AEF (x1)

Detach this yellow section for use as a quick reference



HARDWARE REQUIRED





Detach this yellow section for use as a quick reference

This page intentionally left blank

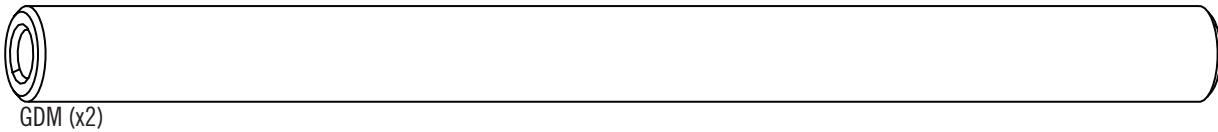
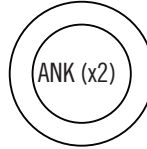
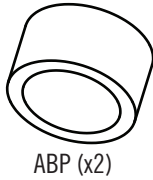
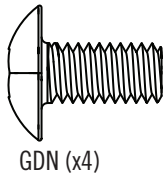
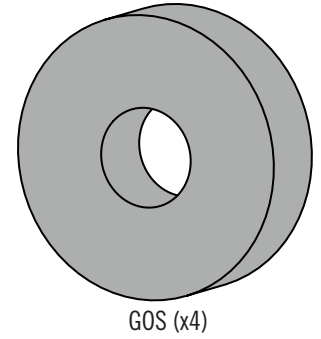
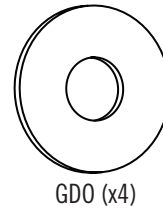
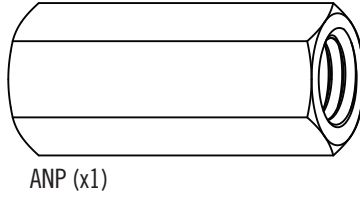
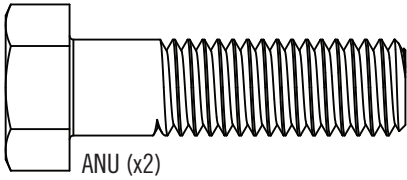
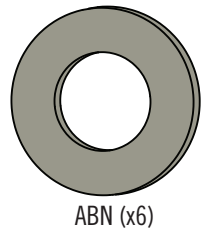
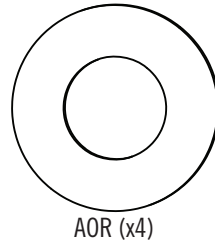
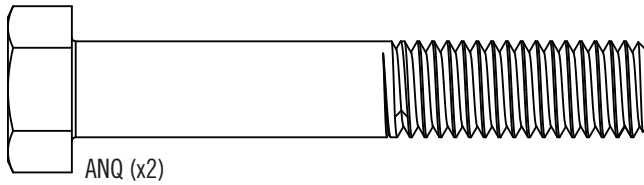
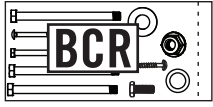
4

BACKBOARD-TO-POLE ASSEMBLY



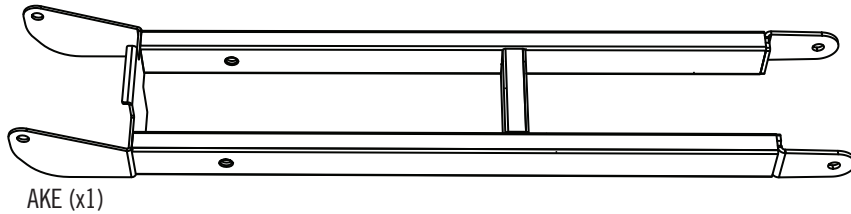
HARDWARE REQUIRED

Hardware Blister Pack

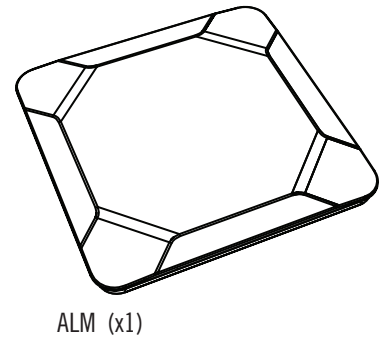


PARTS REQUIRED

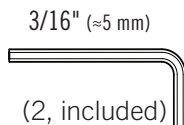
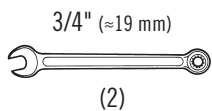
Metal Parts



Plastic Part

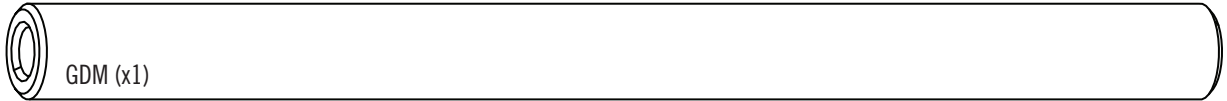
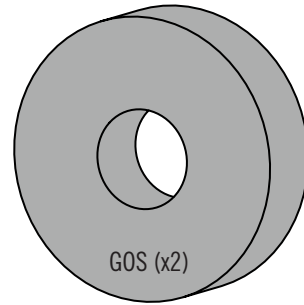
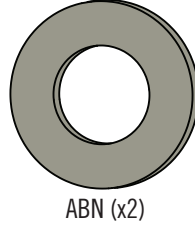
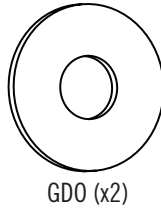
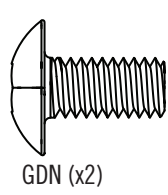
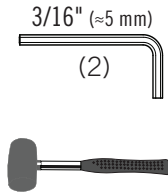


TOOLS REQUIRED



SECTION 4 (CONTINUED)

TOOLS AND HARDWARE REQUIRED



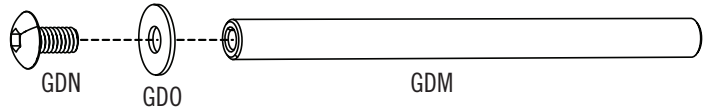
- If you have trouble with this section, scan the code below to view a video on its assembly.



- <http://go.lifetime.com/90734-mammothportable-sec4>

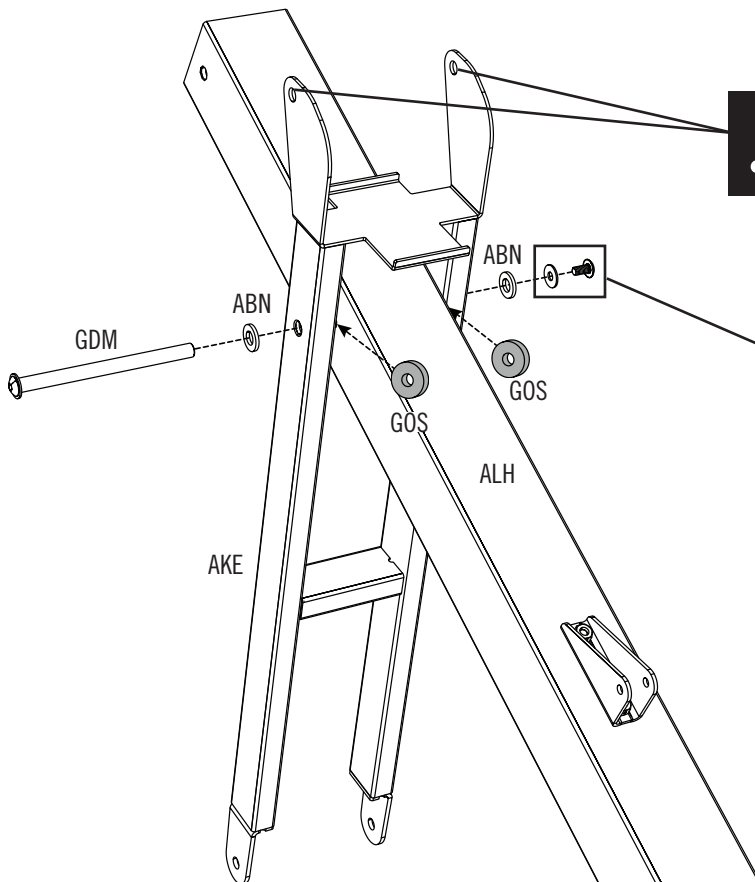
4.1

- Secure one **bolt (GDN)** and **washer (GDO)** to a **coupler pin (GDM)** at one end.

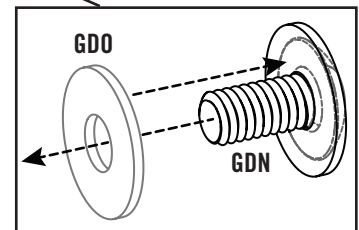


4.2

- Attach the **lower extension arms (AKE)** to the **top pole (ALH)** with the hardware shown. If necessary, use a rubber mallet to tap the coupler pin assembly through the holes.



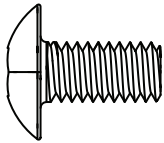
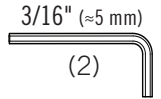
- *Make sure the extension arms are oriented with these holes toward the top of the pole.*



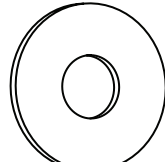
- *Fit this washer (GDO) over the bolt (GDN) to secure the hardware to the coupler pin.*

SECTION 4 (CONTINUED)

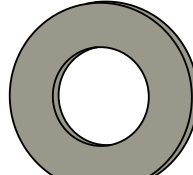
TOOLS AND HARDWARE REQUIRED



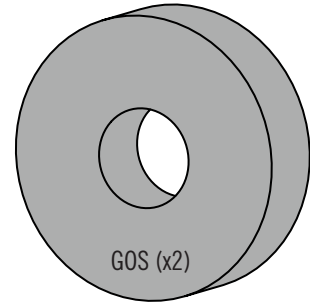
GDN (x2)



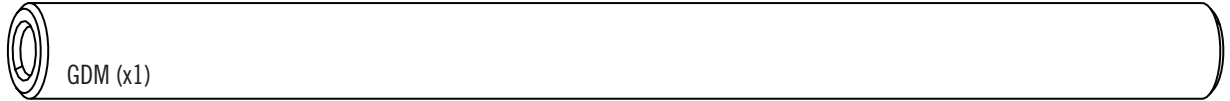
GDO (x2)



ABN (x2)



GOS (x2)



GDM (x1)

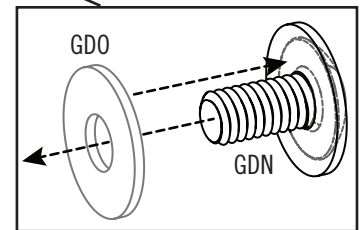
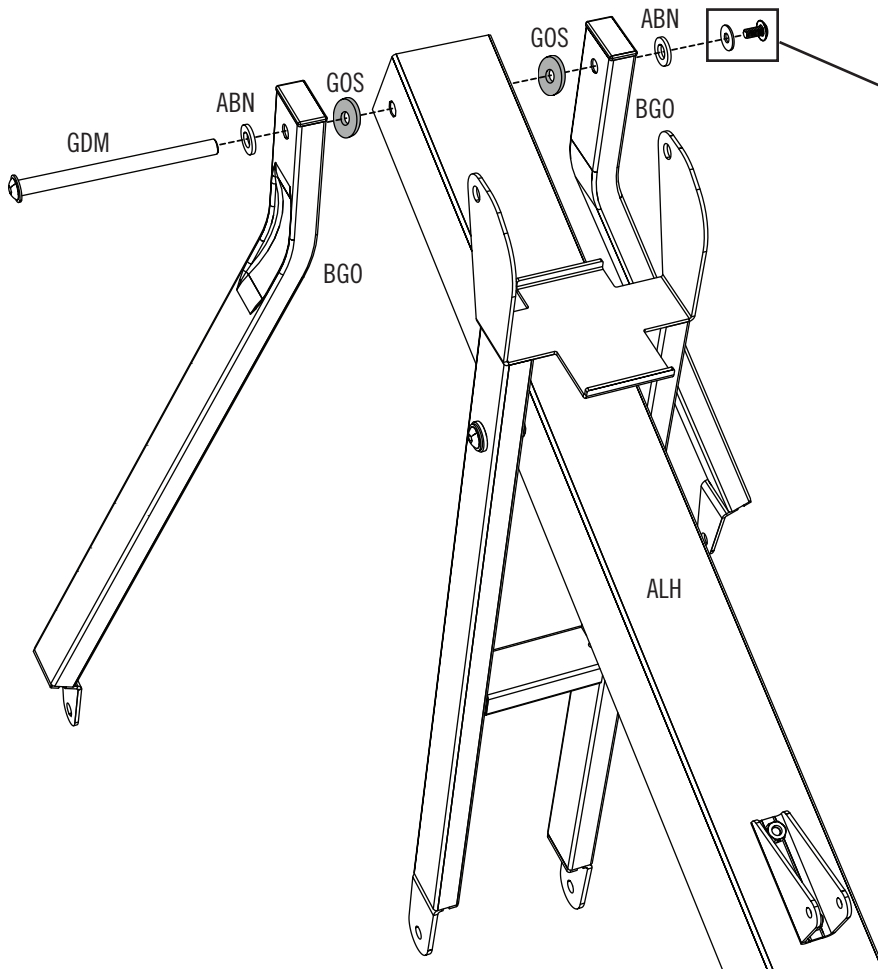
4.3


- Secure one **bolt (GDN)** and **washer (GDO)** to a **coupler pin (GDM)** at one end.



4.4

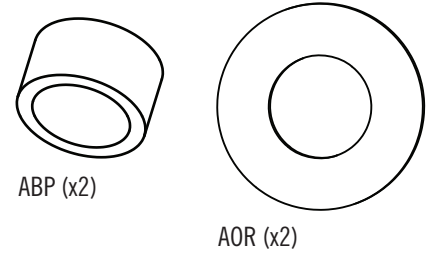
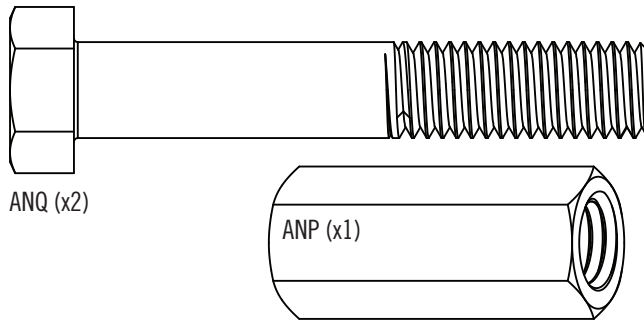
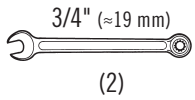
- Attach the **upper extension arms (BGO)** to the **top pole (ALH)** with the hardware shown. If necessary, use a rubber mallet to tap the coupler pin assembly into place.



-  Fit this washer (GDO) over the bolt (GDN) to secure the hardware to the coupler pin.

SECTION 4 (CONTINUED)

TOOLS AND HARDWARE REQUIRED



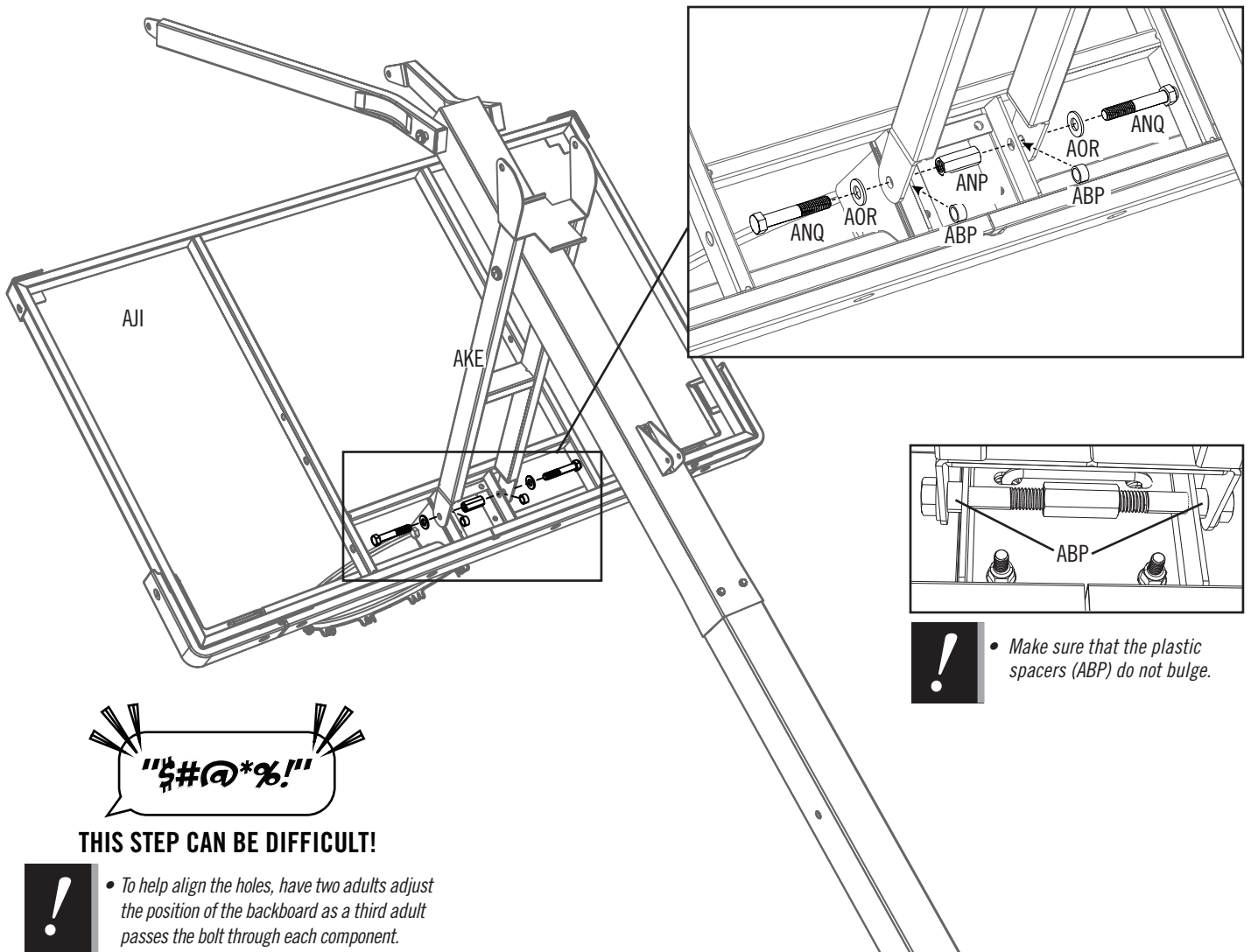
4.5



CAUTION: HAVE ONE ADULT HOLD THE BACKBOARD IN PLACE UNTIL ASSEMBLY HAS BEEN COMPLETED!



- Lay the backboard and rim assembly next to the pole assembly. Rest the rim on cardboard to prevent scratching, then secure the **lower extension arms (AKE)** to the **backboard (AJI)** with the hardware shown. Center the **bolts (ANQ)** onto the **nut coupler (ANP)** as shown.



THIS STEP CAN BE DIFFICULT!



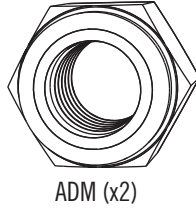
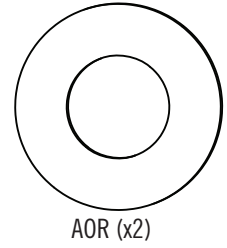
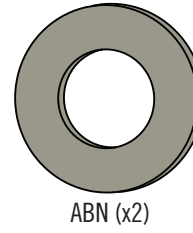
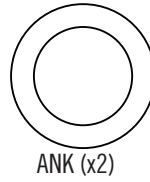
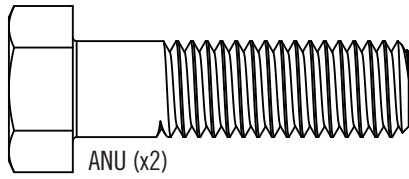
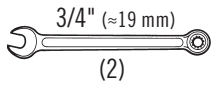
- To help align the holes, have two adults adjust the position of the backboard as a third adult passes the bolt through each component.



- Make sure that the plastic spacers (ABP) do not bulge.

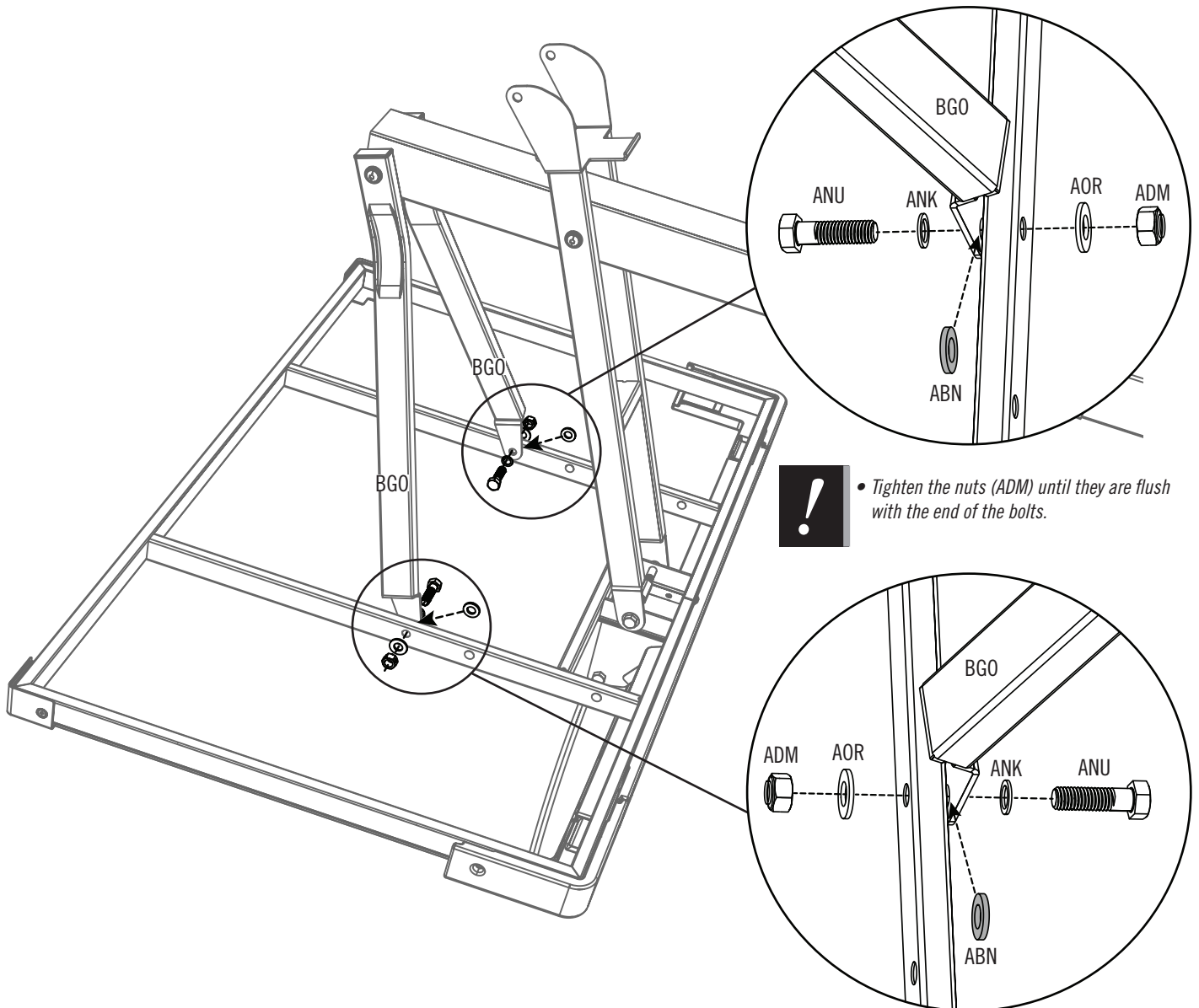
SECTION 4 (CONTINUED)

TOOLS AND HARDWARE REQUIRED



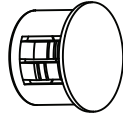
4.6

- Attach both **upper extension arms (BGO)** to the **backboard (AJI)** with the hardware shown.



► SECTION 4 (CONTINUED)

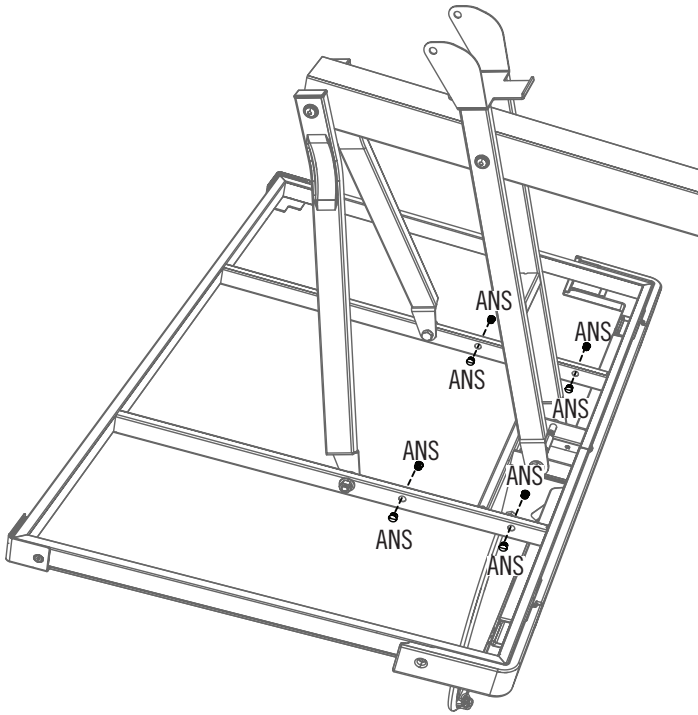
TOOLS AND HARDWARE REQUIRED



ANS (x8)

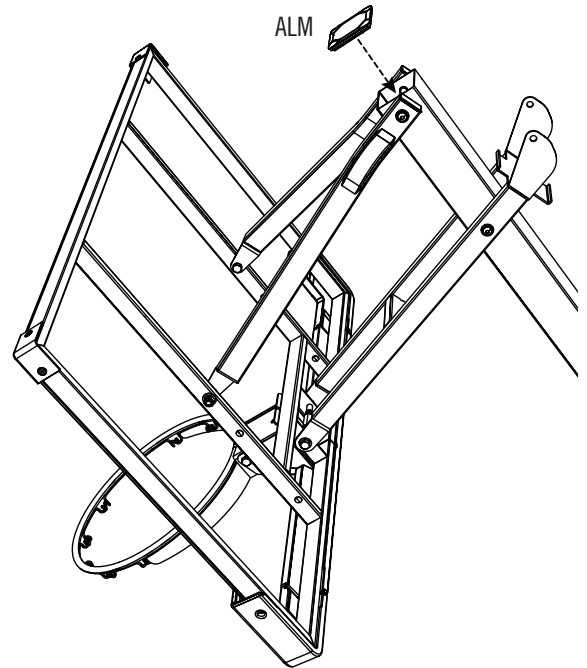
4.7

- Insert **nylon plugs (ANS)** into the locations indicated on the back of the backboard.



4.8

- Insert the **pole cap (ALM)** into the top pole.



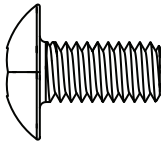
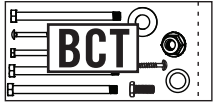
5

HANDLE ASSEMBLY

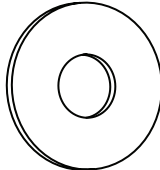


HARDWARE REQUIRED

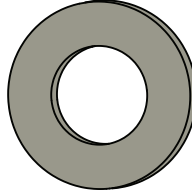
Hardware Blister Pack



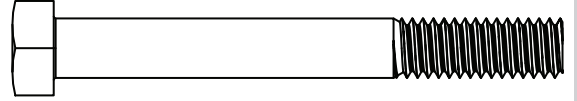
GDN (x10)



GDO (x10)



ABN (x4)



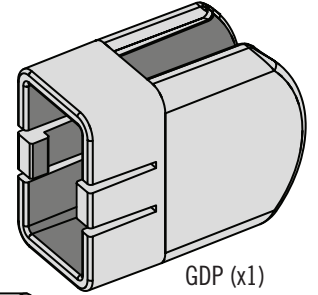
GOX (x1)



GOU (x1)



ACZ (x2)



GDP (x1)



GDX (x1)



GDM (x1)



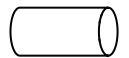
AAO (x1)



GDZ (x2)



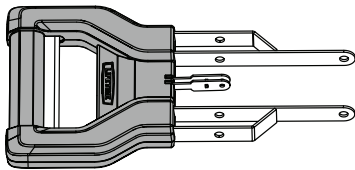
GDY (x1)



GDQ (x1)



PARTS REQUIRED



AKI (x1)



ALS (x2)



GFL (x1)

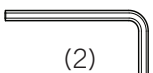


ALC (x1)



TOOLS REQUIRED

3/16" (≈5 mm)



(2)



(1)

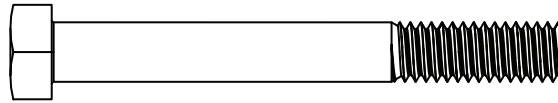
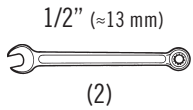
1/2" (≈13 mm)



(2)

► SECTION 5 (CONTINUED)

TOOLS AND HARDWARE REQUIRED



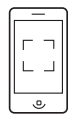
GOX (x1)



AAO (x1)



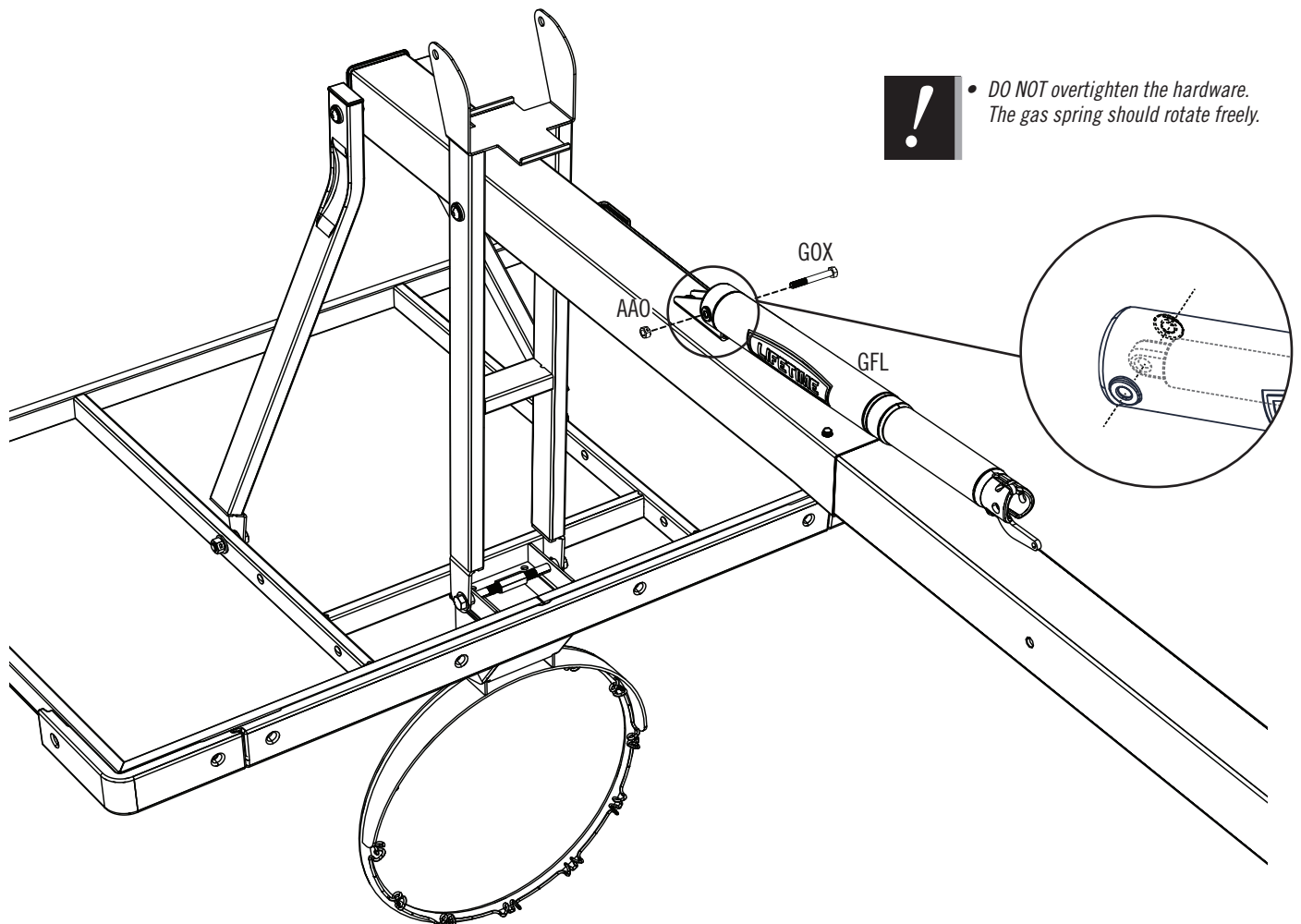
- If you have trouble with this section, scan the code below to view a video on its assembly.



- <http://go.lifetime.com/90734-mammothportable-sec5>

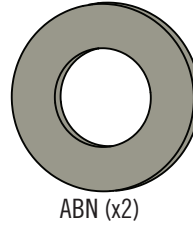
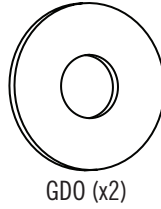
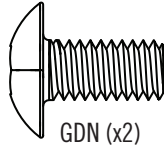
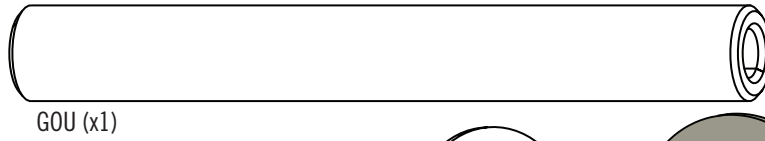
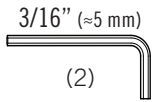
5.1

- Align the holes in the **gas spring (GFL)** with the holes in the **pole bracket (ALL)**, and attach the gas spring assembly to the pole bracket with the hardware shown.



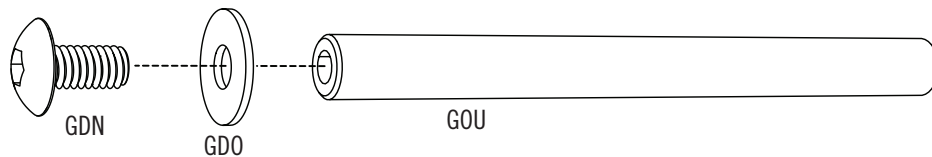
SECTION 5 (CONTINUED)

TOOLS AND HARDWARE REQUIRED



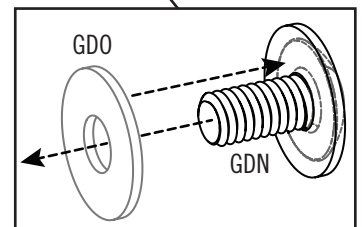
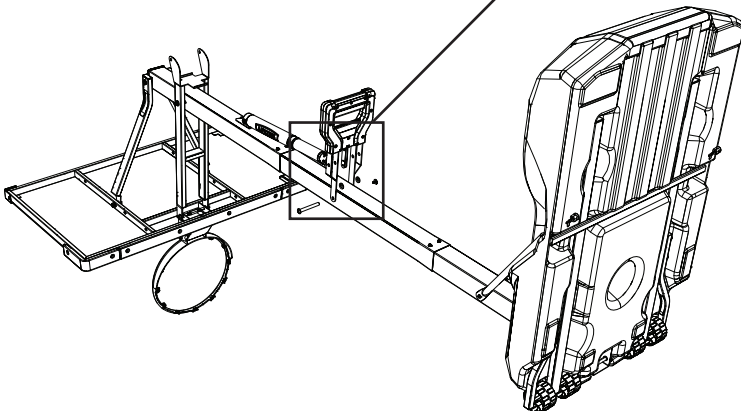
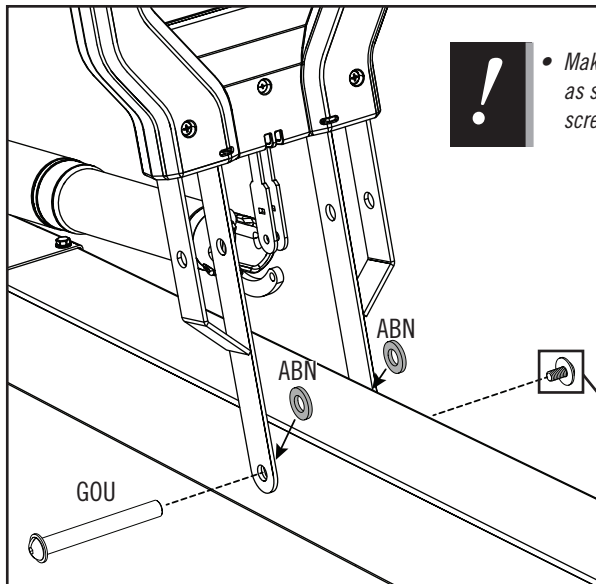
5.2

- Secure one **bolt (GDN)** and **washer (GDO)** to a **coupler pin (GOU)** at one end.



5.3

- Secure the **handle (AKI)** to the pole.

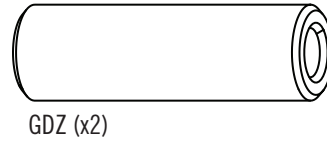
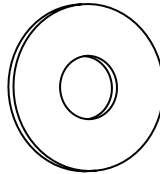
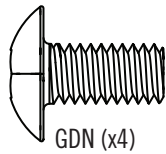
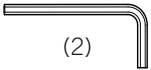


- ! • Fit this washer (GDO) over the bolt (GDN) to secure the hardware to the coupler pin.

SECTION 5 (CONTINUED)

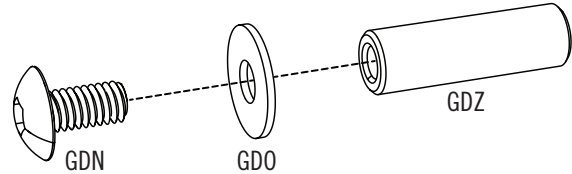
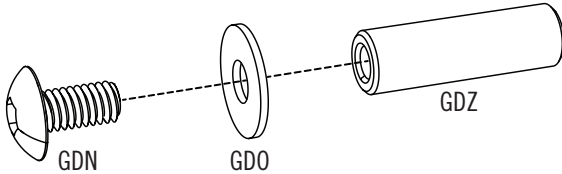
TOOLS AND HARDWARE REQUIRED

3/16" (≈5 mm)



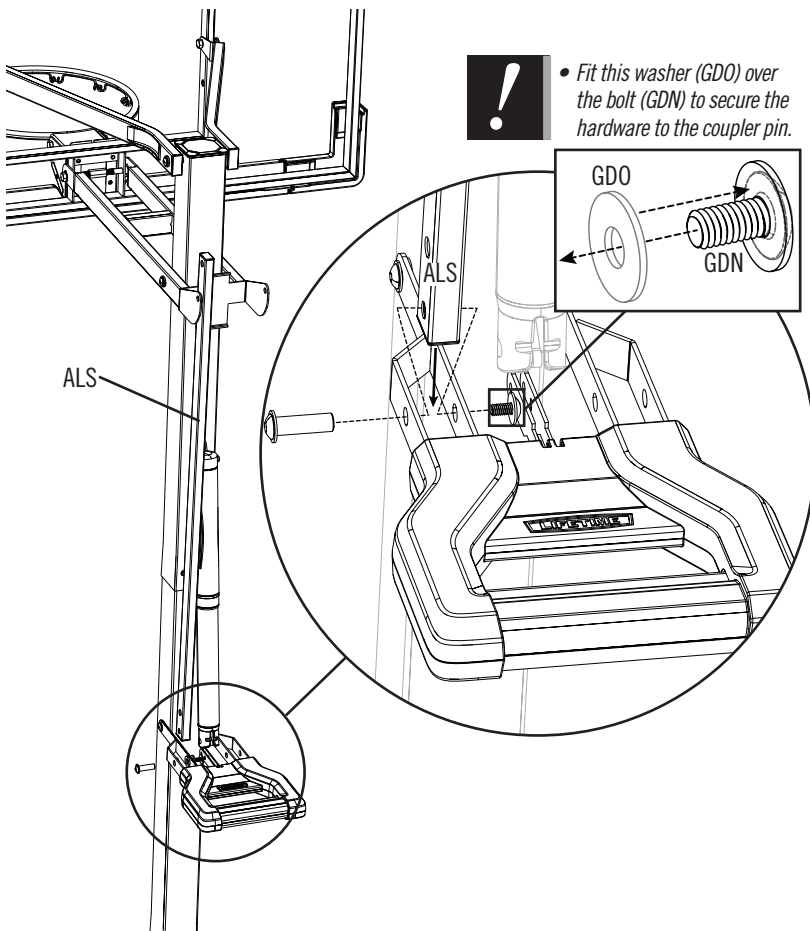
5.4

- Secure a **bolt (GDN)** and a **washer (GDO)** at one end of both coupler **pins (GDZ)**.



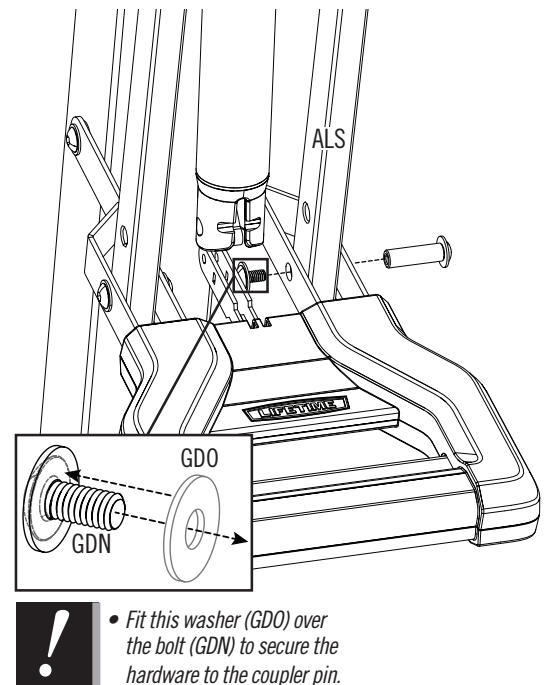
5.5

- Position one of the **lifter arms (ALS)** as shown. Slide the coupler pin assembly through the outer frame of the handle. Continue sliding the coupler pin through the lifter arm and the inner handle frame, then secure these parts with the hardware indicated.



5.6

- Repeat the previous step to secure the remaining **lifter arm (ALS)** to the other side of the handle assembly. Start the pin from the outside and slide it inward.



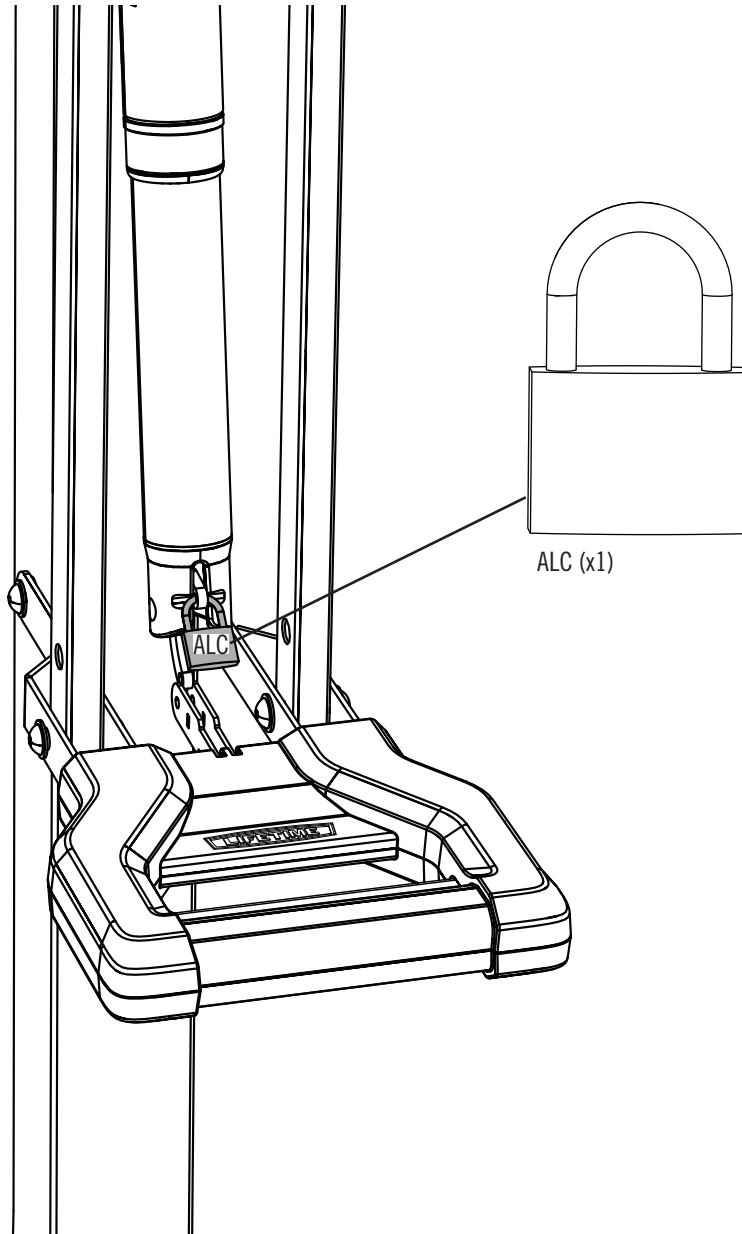
► SECTION 5 (CONTINUED)

TOOLS AND HARDWARE REQUIRED



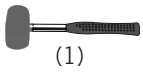
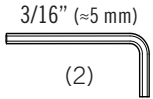
5.7

- Secure the **padlock (ALC)** in the location shown to lock the adjustment mechanism. This will keep the actuator in the proper position for the next assembly step.

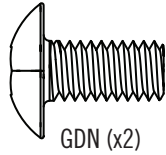


► SECTION 5 (CONTINUED)

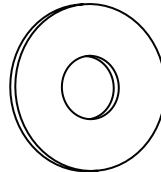
TOOLS AND HARDWARE REQUIRED



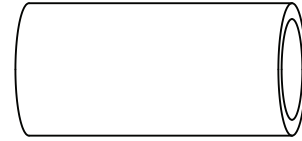
GDx (x1)



GDN (x2)



GDO (x2)



ACZ (x2)

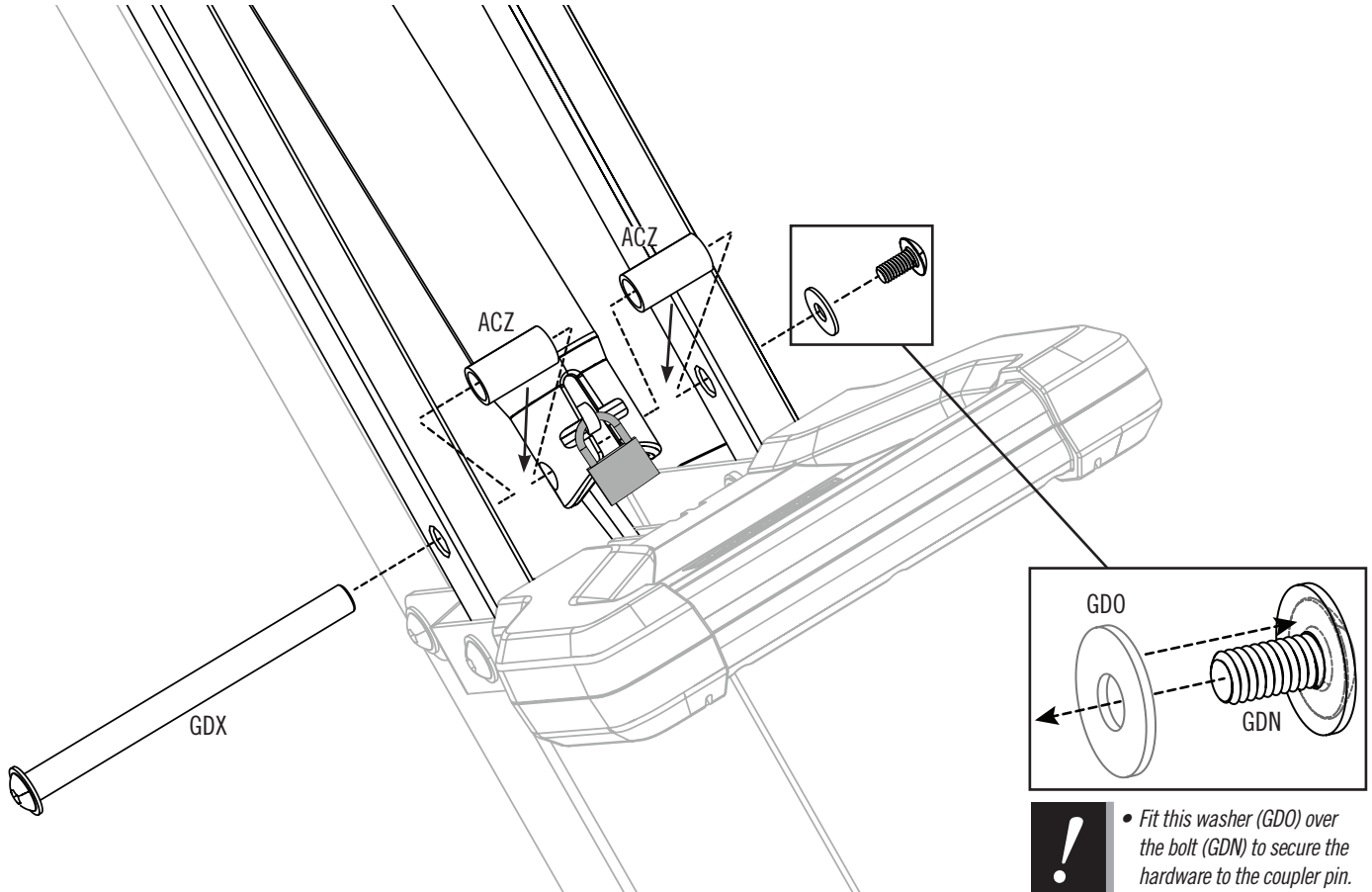
5.8


- Secure one **bolt (GDN)** and **washer (GDO)** to a **coupler pin (GDx)** at one end.



5.9

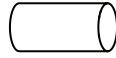
- Slide the coupler pin assembly through the lifter arms and the gas spring, adding **plastic spacers (acz)** in the locations shown. Secure the pin assembly with the hardware indicated.



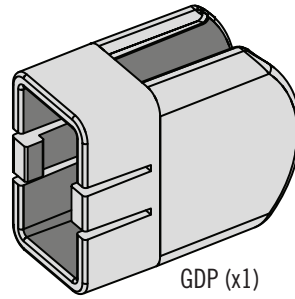
-  Fit this washer (GDO) over the bolt (GDN) to secure the hardware to the coupler pin.

► SECTION 5 (CONTINUED)

TOOLS AND HARDWARE REQUIRED



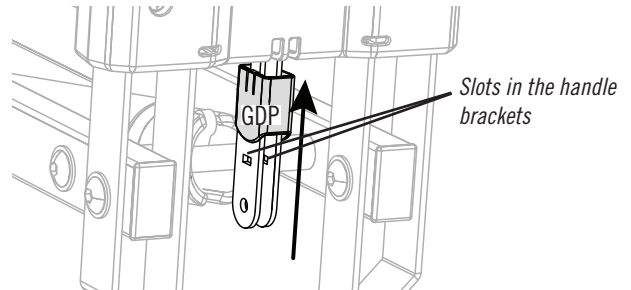
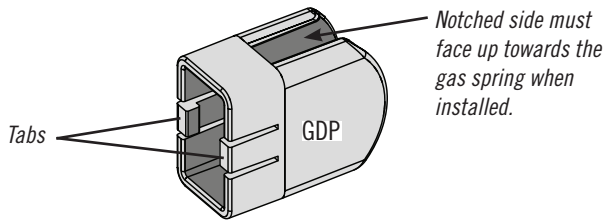
GDQ (x1)



GDP (x1)

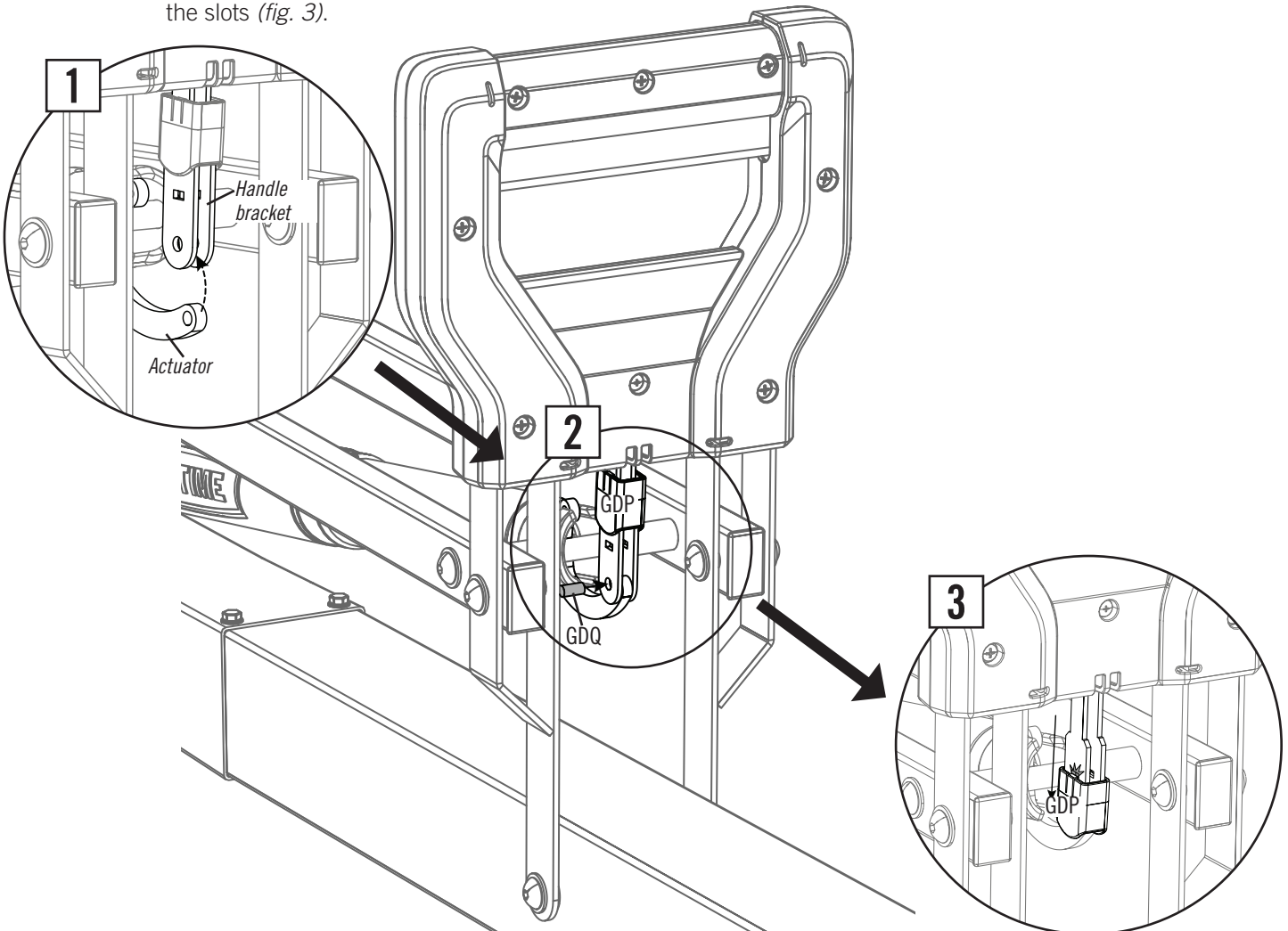
5.10

- Slide the **actuator clip (GDP)** onto the handle bracket. Pull the tabs on each side of the clip to bypass the slots in the bracket as you slide it up against the plastic handle. Hold the clip as you perform the next step.



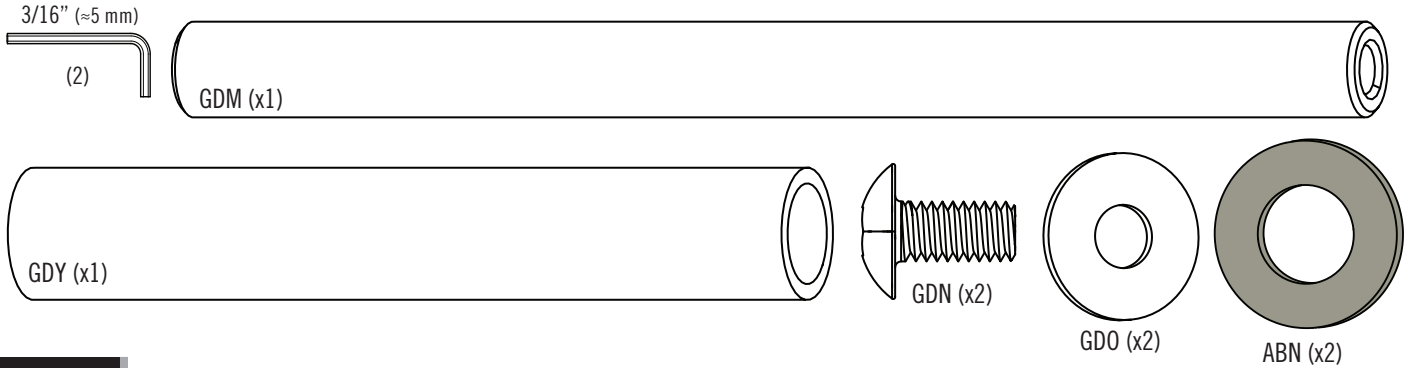
5.11

- Line up the hole in the gas spring actuator between the holes on the handle bracket (*fig. 1*) and insert the **handle pin (GDQ)** through the hole (*fig. 2*). Slide the **actuator clip (GDP)** down over the pin until the tabs snap into the slots (*fig. 3*).



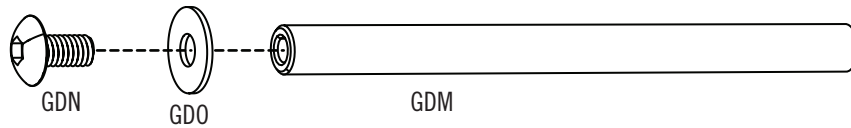
► SECTION 5 (CONTINUED)

TOOLS AND HARDWARE REQUIRED



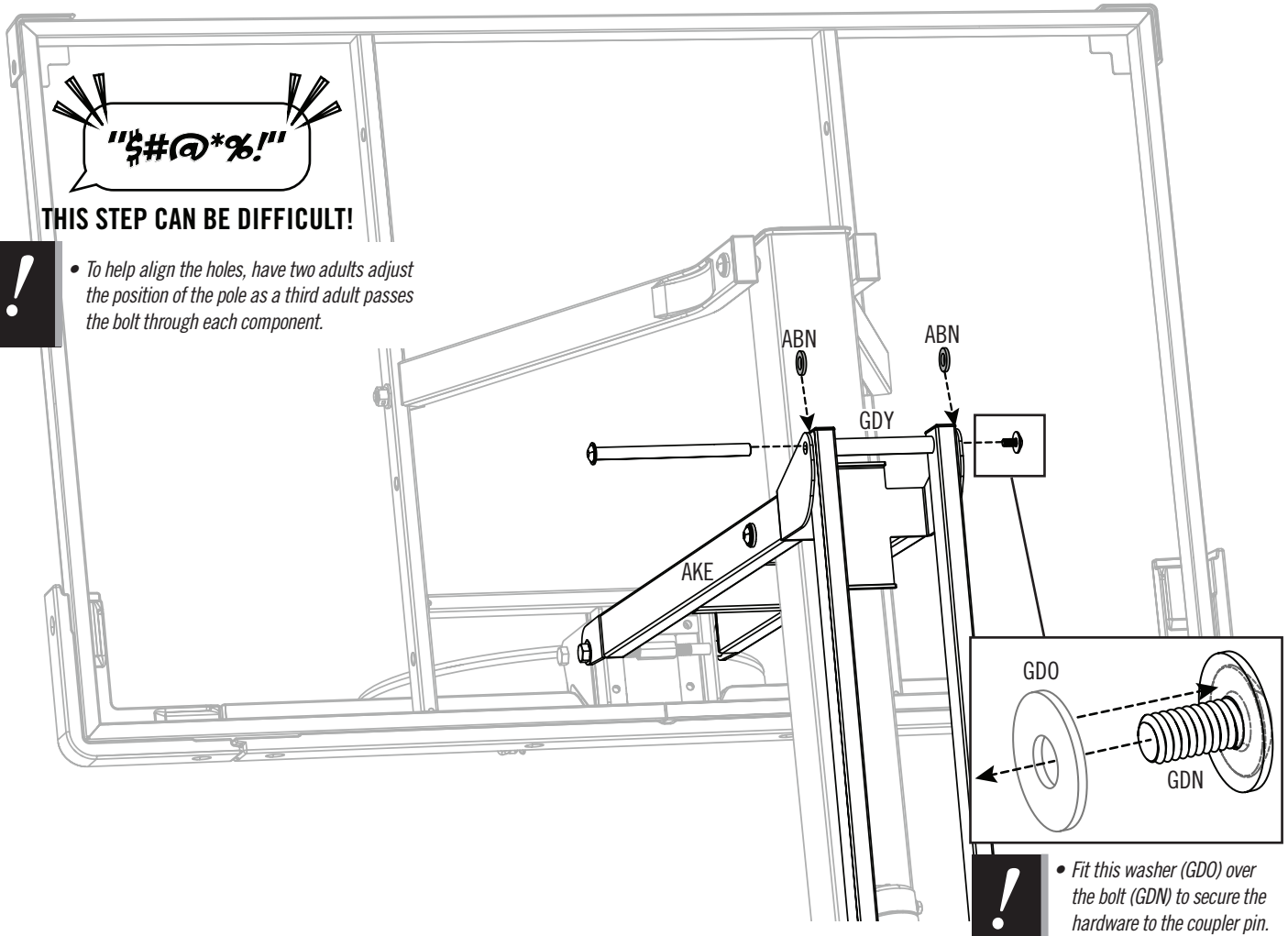
5.12

- Secure one **bolt (GDN)** and **washer (GDO)** to a **coupler pin (GDM)** at one end.



5.13

- Secure the **lifter arms (ALS)** to the **lower extension arms (AKE)** using the hardware shown. Make sure the **plastic spacers (ABN)** are placed between the lifter arms and the plates on the extension arms.



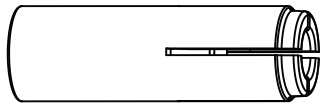
6

FINAL ASSEMBLY

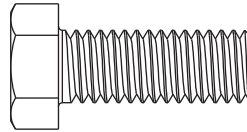


HARDWARE REQUIRED

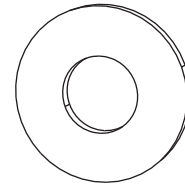
Hardware Blister Pack



AQQ (x2)



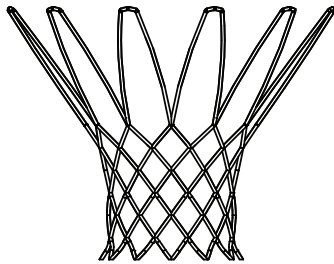
GRD (x2)



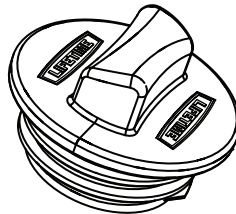
AAF (x2)



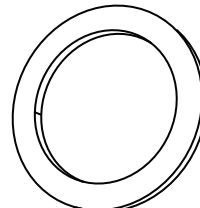
PARTS REQUIRED



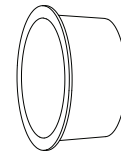
AKZ (x1)



FIQ (x1)



FIR (x1)



AEF (x1)



AKP (x1)



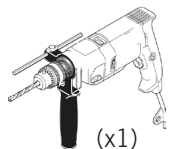
TOOLS REQUIRED



(x1)



400 lb
(181 kg)



(x1)



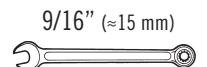
(x1)



(x1)



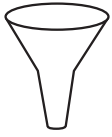
(x1)



(x1)

▶ SECTION 6 (CONTINUED)

TOOLS AND HARDWARE REQUIRED



or



400 lb
(181 kg)



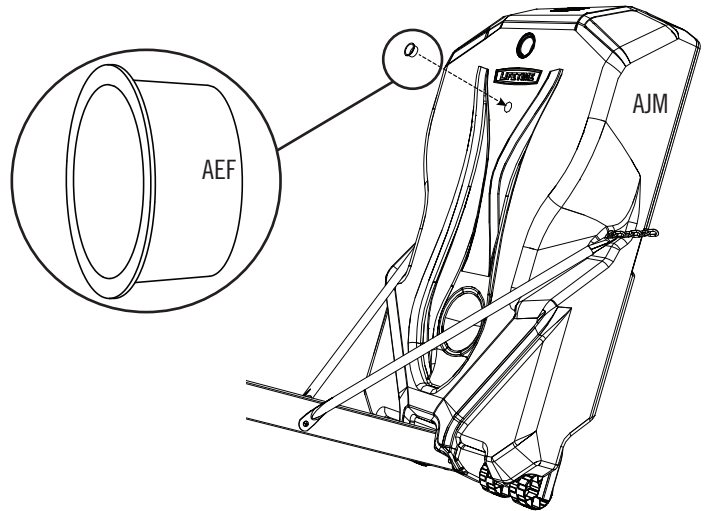
- If you have trouble with this section, scan the code below to view a video on its assembly.



- <http://go.lifetime.com/90734-mammothportable-sec65>

6.1

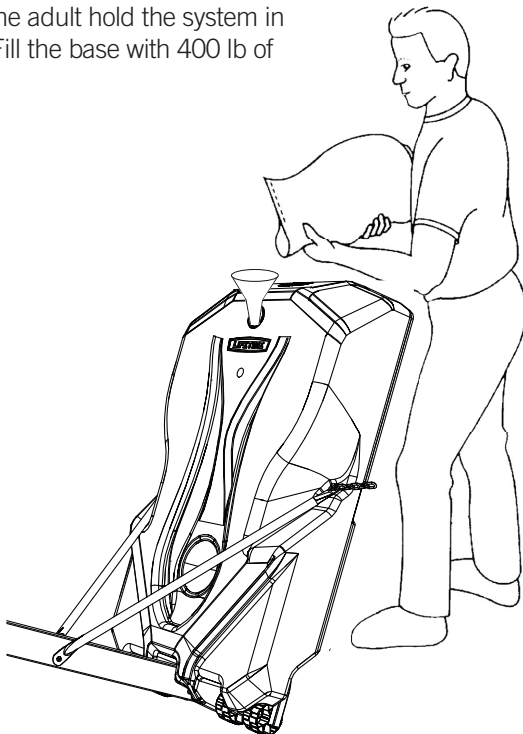
- Press the **base plug (AEF)** into the base in the location shown.



6.2

Three adults are required to complete assembly. To prevent serious injuries, the Pole should be held down by one adult at all times while the Base is being filled.

- Have one adult hold the system in place. Fill the base with 400 lb of sand.



- Instead of sand, you may choose to fill your base with water. Add one tablespoon of chlorine bleach to the water to prevent algae growth.



⚠ WARNING ⚠

For safety reasons, we recommend that sand be used instead of water to fill the Base. If a leak develops, water could run out unnoticed, allowing the system to fall over, resulting in serious personal injuries or property damage. If using Water, check the Base carefully for leaks. If a leak is found, lay the system down on the ground and call Customer Service. Do not use, stand up, or play on a leaking system.

► SECTION 6 (CONTINUED)

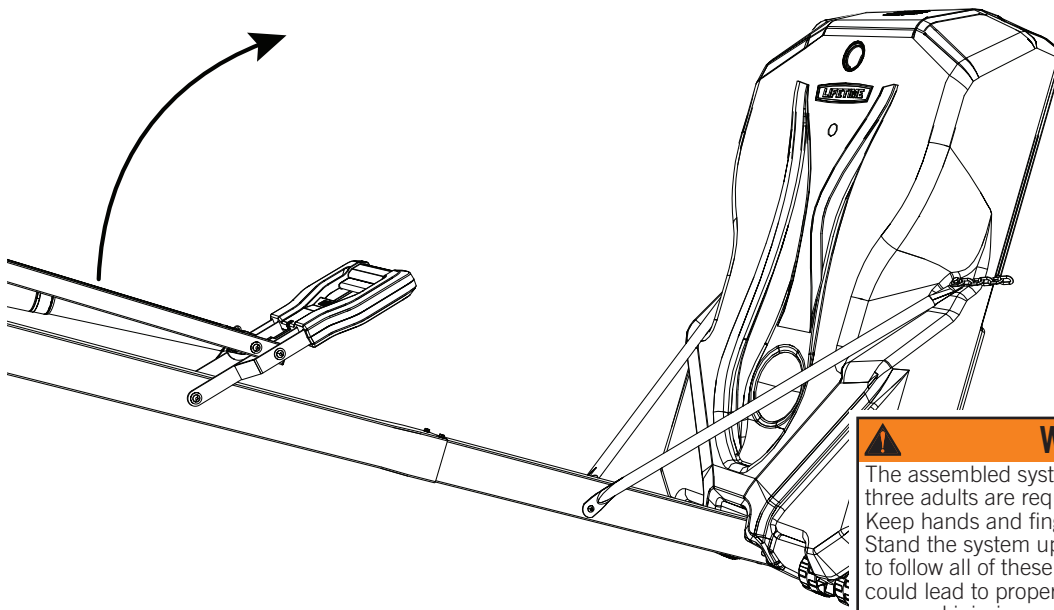
TOOLS AND HARDWARE REQUIRED



6.3

Three adults are required to complete assembly. To prevent serious injuries, the pole should be held down by one adult at all times while the base is being filled.

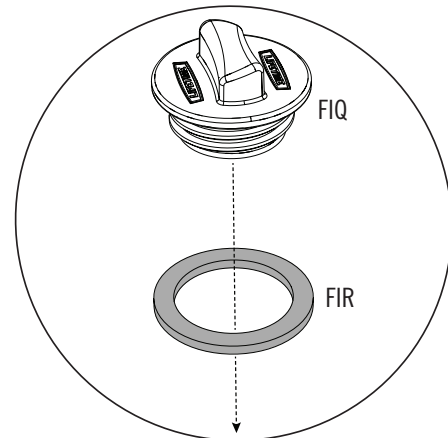
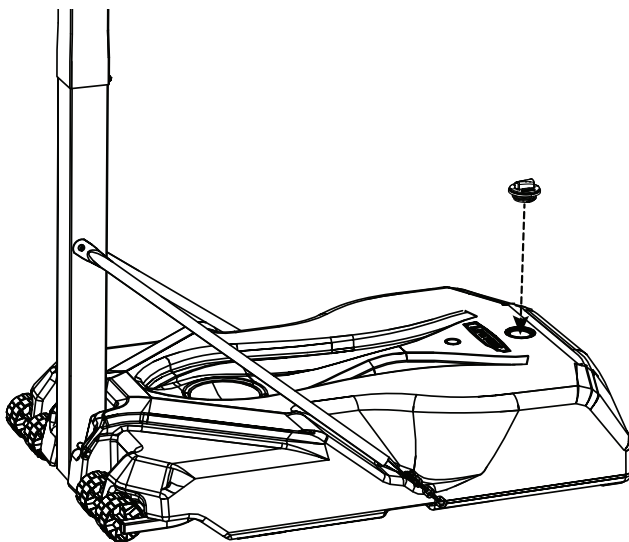
- Have three adults stand the system upright.



WARNING
The assembled system is very heavy. At least three adults are required to complete these steps. Keep hands and fingers clear of pinch points. Stand the system up slowly and carefully. Failure to follow all of these instructions and warnings could lead to property damage or serious personal injuries.

6.4

- Two adults should hold the system upright while the third finishes filling the base, then screw the **cap (FIQ)** into to the base. Make sure the **rubber gasket (FIR)** is in place on the cap.



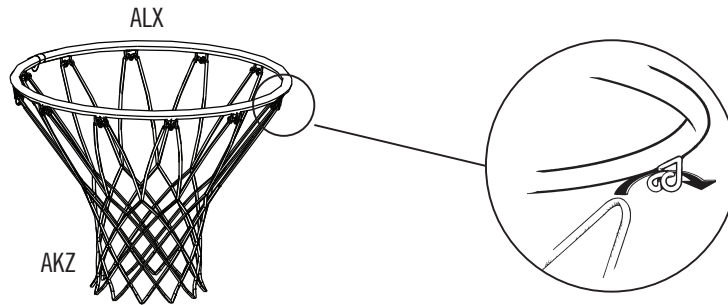
▶ SECTION 6 (CONTINUED)

TOOLS AND HARDWARE REQUIRED



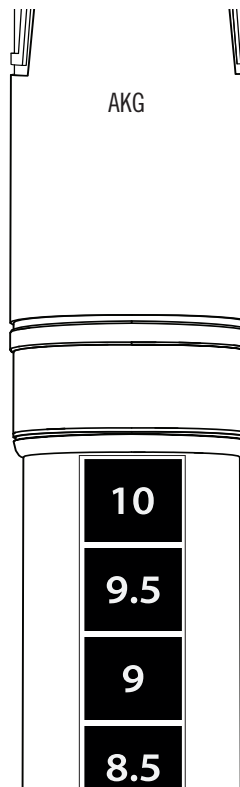
6.5

- Attach the **net (AKZ)** to the **rim (ALX)**.



6.6

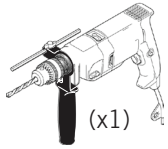
- Raise the backboard until the top of the rim measures 10 feet from the playing surface. Apply the **height adjustment sticker (AKP)** onto the **gas spring (GFL)**, lining up the edge of the **gas spring cover** with the 10-foot mark on the sticker. Press the sticker into place while carefully removing the rest of the backing.



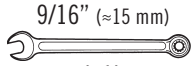
• Actual height sticker (AKP) and gas spring cover (AKG) may vary from those shown here.

► SECTION 6 (CONTINUED)

TOOLS AND HARDWARE REQUIRED

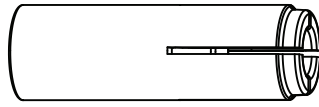


(x1)

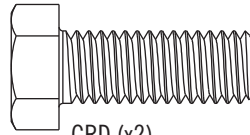


9/16" (≈15 mm)

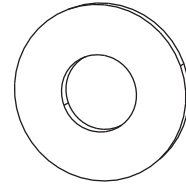
(x1)



AQQ (x2)



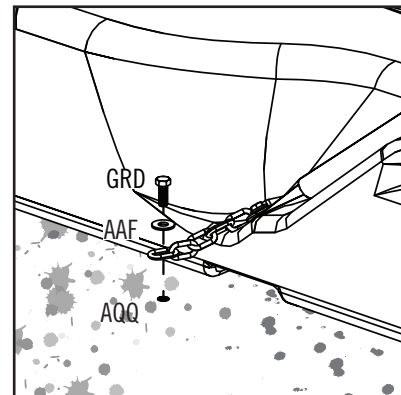
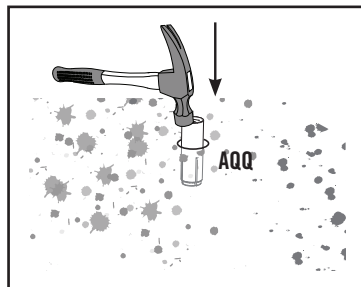
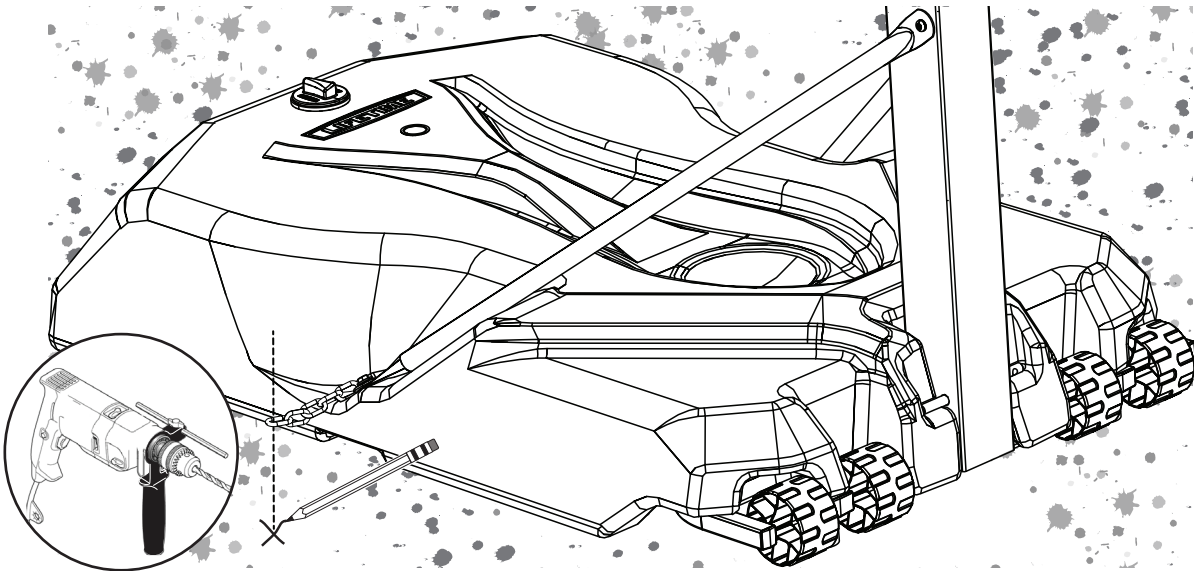
GRD (x2)



AAF (x2)

6.7

- Pull out the end links of the **chains (CNC)** so they are away from the sides of the base. Mark the location of the last links in the chain and use a hammer drill to drill a hole 1/2 inch (13 mm) in diameter and 1 1/2 inches (39 mm) deep in the concrete in each spot. Place the **concrete anchors (AQQ)** in the drilled holes and use a 5/16" hex bolt and a hammer to tap down the anchor tab located inside each anchor. Tap with force at least five or six times until the sides of the anchor begin to flare. Slide a **hex bolt (GRD)** through a **washer (AAF)** and through the end link of the chain. Secure the bolts into the concrete anchors. **Repeat for the other side.**



- *To prevent the base from being punctured, install the concrete anchors in a way that will not permit them to come in contact with the base. The hardware used with the concrete anchor could puncture the base, resulting in leakage, which could cause the system to tip over, potentially resulting in serious personal injuries.*



- *Do not attempt to use the portable unit without first filling the base with weight and securing the concrete anchors. The system may fall over without being secured to the ground and could cause serious personal injuries.*



MAINTENANCE INSTRUCTIONS

The life of your basketball system depends on many variables. The climate, exposure to corrosives such as salt, pesticides, or herbicides, and excessive use or misuse can all contribute to pole failure, which may cause property damage or personal injury.

Check your basketball system frequently for loose hardware, excessive wear, and signs of corrosion. For safety reasons, and to prolong the life of your basketball system, you must take the following preventive measures.

- A. Check all nuts and bolts. If any are loose, tighten them.
- B. Check all parts for excessive wear and tear. If necessary, replace any parts that have been worn or damaged through usage. Contact our customer service department for replacement parts.
- C. Inspect the warning sticker on the pole. If it is ripped, faded, or illegible, call our customer service department to request a replacement sticker.
- D. Check all pole sections for visible rust or chipped or cracked paint. If either are present, do the following:
 - 1. Use an emery cloth to completely remove any rust or chipped paint.
 - 2. Clean the area with a damp cloth and allow it to dry.
 - 3. Apply two coats of a rust preventative, high gloss enamel paint to the area. Allow the paint to dry between coats.

If rust has penetrated through the pole anywhere, replace it immediately!



WARNING STICKER

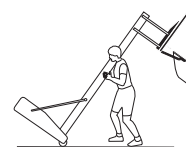
WARNING

FAILURE TO FOLLOW THESE WARNINGS MAY RESULT IN SERIOUS INJURY AND/OR PROPERTY DAMAGE.

Owners must ensure that all players know and follow these rules for safe operation of the system.

- Only hang from the Rim briefly to regain balance or avoid injuring others. Release the Rim as soon as safely possible.
- During play, especially when performing dunk type activities, keep player's face away from the Backboard, Rim, and Net. Serious injury could occur if teeth/face come in contact with the Backboard, Rim, or Net. Player should wear a mouth guard during play.
- Do not slide, climb, or play on Base or Pole.
- Completely fill Base according to manufacturer's instructions. Never leave the unit standing in an upright position without first filling the Base with weight or the system will tip quickly causing serious personal injury.
- When adjusting height or moving system, keep hands and fingers away from moving parts.
- Do not allow children to move or adjust system.
- Do not wear jewelry (rings, watches, necklaces, etc.) during play. Objects may entangle in Net.
- Keep water and organic material away from Pole Base. Grass, litter, etc. could cause corrosion and/or deterioration.
- Never play on damaged equipment.
- Surface beneath the Base must be smooth and free of gravel or other objects. Punctures cause leakage and could cause system to tip over.

- Once a month check Pole and all metal parts for signs of corrosion (rust, pitting, chipping). Completely remove rust and repaint with exterior enamel. If rust has penetrated any steel part, replace that part immediately.
- Check system before each use for proper ballast, loose hardware, excessive wear, instability, and signs of corrosion and repair before use.
- Do not use system during windy or severe weather. System may tip over. Place system in an area protected from the wind or in an area away from property that may be damaged if the system falls, and from overhead power lines.
- Do not use the system to lift or hoist anything. The mechanism is designed to lift only the weight of the Backboard and Rim. Do not hang anything from the Handle, Rim, Backboard, or Lifter Arms as this will damage the system and void the warranty.



AVERTISSEMENT

FAUTE DE NE PAS SUIVRE CES AVERTISSEMENTS, VOUS RISQUEZ DE CAUSER DES BLESSURES GRAVES ET/OU DES DOMMAGES À L'ÉQUIPEMENT.

Le propriétaire doit s'assurer que tous les joueurs connaissent et appliquent les règles suivantes afin d'utiliser l'équipement en toute sécurité.

- Ne vous suspendez pas à l'anneau plus que nécessaire pour retrouver votre équilibre ou éviter de blesser les autres joueurs. Relâchez l'anneau aussitôt que possible.
- Lors d'un match, particulièrement dans le cas des smashes, le visage du joueur ne doit pas faire face au panneau, à l'anneau, ni au filet. Le joueur risque de graves blessures si ses dents ou son visage entrent en contact avec le panneau, l'anneau, ou le filet. Les joueurs doivent toujours porter un protège-dents lorsqu'ils jouent.
- Ne glissez pas, ne grimpez pas, et ne jouez pas sur la base ou le poteau.
- Remplissez complètement la base selon les instructions du fabricant. Ne laissez jamais l'unité debout de plein pied sans avoir d'abord rempli la base avec un poids ou l'équipement pourrait basculer rapidement et causer de graves blessures.
- Lorsque vous ajustez la hauteur ou lorsque vous déplacez l'équipement, gardez vos mains et doigts loin des pièces mobiles.
- Ne permettez pas aux enfants de déplacer ou d'ajuster l'équipement.
- Ne portez pas de bijoux (bagues, montres, colliers, etc.) lorsque vous jouez. Ces objets pourraient s'accrocher au filet.
- La surface sur laquelle est posée la base doit être lisse et sans gravier ou tout autre objet qui pourrait troubler la base entraînant ainsi une fuite ce qui pourrait faire basculer l'équipement.
- Gardez de l'eau et de la matière organique loin de la base. Le gazon, les déchets, etc. pourraient provoquer la corrosion et/ou la détérioration.
- Une fois par mois, vérifiez que le Poteau et toutes les pièces en métal ne montrent pas de signes de corrosion (rouille, piqûres, écaillage). Enlevez toute la rouille et repeignez complètement avec une peinture pour extérieur. Si la rouille a pénétré une des pièces en acier, vous devrez remplacer immédiatement la pièce en question.
- A chaque fois que vous allez utiliser l'équipement, vérifiez d'abord l'équilibre, la possibilité de pièces desserrées ou usées, la stabilité de l'équipement et tout signe de corrosion ou réparation nécessaire avant utilisation.
- Ne jouez jamais avec un équipement endommagé.
- N'utilisez pas l'équipement lors de fortes rafales de vent ou de mauvais temps. L'équipement pourrait basculer. Placez l'équipement dans un endroit abrité du vent ou loin des structures qu'il pourrait endommager s'il basculait et loin des fils électriques.
- N'utilisez pas l'équipement pour lever ou soulever quoique ce soit. Son mécanisme a été conçu uniquement pour soutenir le poids du panneau et de l'anneau. N'accrochez rien au manche, à l'anneau, au panneau ni aux leviers sous peine d'endommager l'équipement et d'annuler la garantie.

ADVERTENCIA

SI NO SE OBEDECEN ESTAS ADVERTENCIAS PUEDEN PRODUCIRSE GRAVES LESIONES Y/O DAÑOS A LA PROPIEDAD.

El propietario del sistema debe asegurarse de que todos los jugadores conozcan y respeten estas reglas para que el sistema se use en forma segura.

- Cuélguese del aro sólo en forma breve, para recuperar el equilibrio o evitar lesionar a otros jugadores. Suéltese del aro lo más pronto que pueda hacerlo con seguridad.
- Durante el juego, especialmente al embocar violentamente de alto, la cara de los jugadores debe mantenerse alejada del tablero, el aro y la red. Pueden producirse lesiones graves si los dientes o la cara entran en contacto con el tablero, el aro o la red. Los jugadores deben usar un protector bucal durante el juego.
- No se deslice, no trepe ni juegue sobre la base o el poste.
- Llene la base completamente siguiendo las instrucciones del fabricante. Nunca deje la unidad en posición de uso sin haber llenado previamente la base con material de contrapeso, pues el sistema podría tumbarse rápidamente y causar graves lesiones personales.
- Mantenga las manos y los dedos alejados de las piezas móviles cuando regule la altura o desplace el sistema.
- No deje que los niños regulen ni desplacen el sistema.
- No use joyas (anillos, relojes, collares o gargantillas, etc.) durante el juego. Estos objetos pueden engancharse en la red.
- La superficie donde se coloque la base debe estar lisa y desprovista de piedras, grava u otros objetos. Las perforaciones pueden originar pérdidas, y éstas pueden hacer que el sistema se tumbe.
- Guarde agua y materia orgánica. Césped, basura, etc., podrían causar corrosión et/o deterioros.
- Controle el poste y todas las piezas metálicas una vez al mes en busca de signos visibles de corrosión (oxidación, picaduras, escamado). Elimine todo rastro de óxido y vuelva a pintar con esmalte para exteriores. Si el óxido ha penetrado cualquier pieza de acero, reemplace esa pieza de inmediato.
- Inspeccione el sistema antes de cada uso para verificar que esté adecuadamente contrapesado, que los elementos de fijación no estén flojos, que no haya desgaste excesivo, inestabilidad ni signos de corrosión. Si encuentra irregularidades, repárelas antes de usar el sistema.
- Nunca juegue con un equipo dañado.
- No use el sistema en presencia de vientos fuertes o condiciones climáticas adversas, ya que puede tumbarse. Coloque la unidad en su posición de almacenamiento y/o en una zona a resguardo del viento, lejos de propiedades personales que puedan dañarse si el sistema se cae, y de líneas de suministro de energía.
- No use el sistema para levantar ningún objeto. El mecanismo está diseñado para elevar solamente el peso del tablero con el aro. No cuelgue nada de la agarradera, el aro, el tablero ni los brazos de elevación, ya que esto puede dañar el sistema y anular la garantía.

www.lifetime.com

Lifetime Products, Inc., Clearfield, UT 84016

1-800-225-3865

11/23/2015

1180194



REGISTER YOUR PRODUCT ONLINE AT WWW.LIFETIME.COM

At Lifetime®, we are committed to providing innovative and quality products. While registering, you will have the opportunity to give us your feedback. Your input is valuable to us.

- You can also opt in to receive new product notifications or promotions.
- In the unlikely event of a product recall or safety modification, your registration provides the information we need to notify you directly.
- Registration is fast, easy, and completely voluntary.

LIFETIME'S PROMISE TO YOU:

Maintaining your privacy is our long-standing policy at Lifetime®. And you can rest assured that Lifetime® will not sell or provide your personal data to other third parties, or allow them to use your personal data for their own purposes.

We invite you to read our privacy policy at www.lifetime.com

REGISTER today!



5-YEAR LIMITED FACTORY WARRANTY

THE MANUFACTURER RESERVES THE RIGHT TO MAKE SUBSTITUTIONS TO WARRANTY CLAIMS IF PARTS ARE UNAVAILABLE OR OBSOLETE.

1. Lifetime basketball systems are warranted to the original purchaser to be free from defects in material or workmanship for a period of five years from the date of original retail purchase. The word “defects” is defined as imperfections that impair the use of the product. Defects resulting from misuse, abuse or negligence will void this warranty. This warranty does not cover defects due to improper installation, alteration or accident. This warranty does not cover damage caused by vandalism, rusting, “acts of nature” or any other event beyond the control of the manufacturer.
2. This warranty does not cover breakage of the tempered glass playing surface.
3. This warranty is nontransferable and is expressly limited to the repair or replacement of defective product. If the product is defective within the terms of this warranty, Lifetime Products, Inc. will repair or replace defective parts at no cost to the purchaser. Shipping charges to and from the factory or distribution center are not covered and are the responsibility of the purchaser. Labor charges and related expenses for removal, installation or replacement of the basketball system or its components are not covered under this warranty.
4. This warranty does not cover scratching or scuffing of the product that may result from normal usage. In addition, defects resulting from intentional damage, negligence, unreasonable use or hanging from the rim will void this warranty.
5. Liability for incidental or consequential damages is excluded to the extent permitted by law. While every attempt is made to embody the highest degree of safety in all equipment, freedom from injury cannot be guaranteed. The user assumes all risk of injury resulting from the use of this product. All merchandise is sold on this condition, and no representative of the company may waive or change this policy.
6. This product is not intended for institutional or commercial use; Lifetime Products, Inc. does not assume any liability for such use. Institutional or commercial use will void the warranty.
7. Our goods come with guarantees that cannot be excluded under the Australian Consumer Law. You are entitled to a replacement or refund for a major failure and for compensation for any other reasonably foreseeable loss or damage. You are also entitled to have the goods repaired or replaced if the goods fail to be of acceptable quality and the failure does not amount to a major failure.
8. This warranty is expressly in lieu of all other warranties, expressed or implied, including warranties of merchantability or fitness for use to extent permitted by Federal and state law. Neither Lifetime Products, Inc., nor any representative assumes any other liability in connection with this product. This warranty gives you specific legal rights, and you may also have other rights which vary from state to state.

PLEASE INCLUDE YOUR DATED SALES RECEIPT AND PHOTOGRAPHS OF DAMAGED PARTS.

REPORT PRODUCT DEFECTS IN WRITING TO:

Lifetime Products, Inc., PO Box 160010 Clearfield, UT 84016-0010
or call 1-800-225-3865 M-F 7 a.m. to 5 p.m. MST.

REGISTER YOUR PRODUCT FOR QUICKER CUSTOMER SERVICE.

Visit www.lifetime.com or call 1-800-225-3865 to register your product today.

FOR INTERNATIONAL WARRANTY CLAIMS:

All warranty claims must be accompanied by a sales receipt. Report all warranty claims in writing to your regional sales support representative. Please include your dated sales receipt and photographs of damaged parts. To identify the representative for your region, please visit: www.lifetime.com/international



www.lifetime.com

ENHANCE YOUR LIFETIME® PURCHASE BY ADDING ACCESSORIES OR OTHER GREAT PRODUCTS

To purchase accessories or other Lifetime® products, visit us at:

www.lifetime.com

Or call: 1-800-424-3865

7:00 am–5:00 pm (M–F) MST and 9:00 am–1:00 pm Saturday MST

AMÉLIORER L'ACHAT LIFETIME® EN AJOUTANT DES ACCESSOIRES OU D'AUTRES PRODUITS

Pour acheter des accessoires ou des autres produits Lifetime®, visiter le :

www.lifetime.com

(Anglais seulement)

Ou composer le 1-800-424-3865

Du lundi au vendredi de 7 h à 17 h, HR et le samedi de 9 h à 13 h, HR

MEJORAR LA COMPRA DE LIFETIME® AGREGANDO ACCESORIOS U OTROS MARAVILLOSOS PRODUCTOS

Para comprar accesorios u otros productos de Lifetime®, visitarnos en:

www.lifetime.com

(solo inglés)

O marcar al: 1-800-424-3865

De lunes hasta viernes 7:00 h–17:00 h Horario Éstandar de la Montaña (MST) y sábados 9:00 h–13:00 h (MST)



www.lifetime.com

