



# ASSEMBLY INSTRUCTIONS

## PUMP ADJUST® BASKETBALL SYSTEM

**MODEL 90469**

### BEFORE ASSEMBLY:

- Before you start, make sure you have the required amount of concrete and rebar (not included)
- Requires at least 3 days for concrete to cure, plus 3–4 hours to complete assembly steps
- Requires at least 3 people recommended for setup




Frame pads and Backboard Graphics may vary from the system pictured here.

**WATCH  
3D ANIMATION  
OF THE FULL ASSEMBLY**
















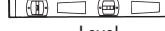

**BILT.®**

Download on the App Store  
GET IT ON Google Play

SCAN THE CODE  OR SEARCH 1187455, 1210182

Save this instruction in the event that the manufacturer must be contacted for replacement parts.

### TOOLS REQUIRED

 1/2" (≈13 mm) (x2)	 9/16" (≈14 mm) (x2)	 11/16" (≈18 mm) (x2)	 3/4" (≈19 mm) (x2)	 1/2" (≈13 mm) (x2)
 1/2" (≈13 mm)	 7/16" (≈11 mm) (x1)	 (x1)	 (x1)	 (x1)
 30" Rebar	 640 lb (291 kg)	 (x1)	 (x1)	 (x1)
 Level				 (x3)

### TABLE OF CONTENTS

Icon Legend.....	2
Warnings & Notices.....	3
Ground Preparation.....	4
Pole Assembly.....	9
Backboard-to-Rim Assembly.....	12
Backboard-to-Pole Assembly.....	16
Parts Identifier.....	i-iv
Handle Assembly.....	22
Final Assembly.....	31
Maintenance.....	36
Warning Sticker.....	37
Registration.....	38
Warranty.....	39

### QUESTIONS?

Call: **1-800-225-3865**  
7:00 am–5:00 pm (M–F) MST  
and 9:00 am–1:00 pm (Sat) MST

### CONTACT LIFETIME CUSTOMER SERVICE:

Live Chat:  
[www.lifetime.com/customerservice](http://www.lifetime.com/customerservice)  
(Click on the "LIVE CHAT" tab)

For Customer Service in Mainland  
Europe and the United Kingdom,  
E-mail: [cs@lifetimeproducts.eu](mailto:cs@lifetimeproducts.eu)

Model Number: **90469**  
Product ID:



## ICON LEGEND



- Indicates special heed should be taken when reading.



- Indicates the parts to be used for a section.



- Indicates no parts required for a specific section.



- Indicates the hardware to be used for a section.



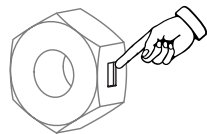
- Indicates no hardware required for a specific page.



- Indicates the tools to be used for a section.



- Indicates to use/not to use an electric drill for a specific step.



- Indicates the use of a centerlock nut. A nut with this marking will require some effort to tighten. This hardware was designed with this feature in order to prevent loosening later.



## WARNINGS & NOTICES



## SAFETY INSTRUCTIONS



**FAILURE TO FOLLOW THESE WARNINGS MAY RESULT IN SERIOUS INJURY OR PROPERTY DAMAGE AND WILL VOID WARRANTY.**

***Owner must ensure that all players know and follow these rules for safe operation of the system.***

To ensure safety, do not attempt to assemble this product without following the instructions carefully. Check entire box and inside all packing material for parts and/or additional instruction material. Before beginning assembly, read the instructions and identify parts using the hardware identifier and parts list in this document. Proper and complete assembly, use and supervision are essential for proper operation and to reduce the risk of accident or injury. A high probability of serious injury exists if this product is not installed, maintained, and operated properly.

- If using a ladder during assembly, use extreme caution.
- Three capable adults are recommended for this operation.
- Assemble the pole sections properly. Failure to do so could cause the pole sections to separate during play or transport.
- Before digging, contact utility company to locate underground power cables, gas, and water lines. Ensure that there are no overhead power lines within 20 ft (7m) radius of pole locations.
- Minimum operational height is 6 ft 6 in (1.98m) to the bottom of the backboard.

***Most injuries are caused by misuse and/or not following instructions. Use caution when using this product.***

# 1

## INITIAL SET UP



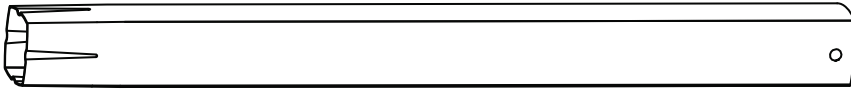
## HARDWARE REQUIRED

Hardware bag



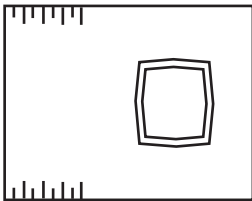
## PARTS REQUIRED

Metal parts



ALE (x1)

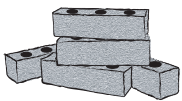
Plastic parts



BGW (x1)



## TOOLS REQUIRED



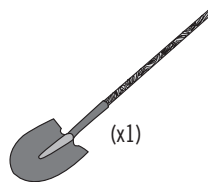
(≈4-6)



(x1)



Concrete mix  
640 lb (291 kg)



(x1)



(x1)



(x1)

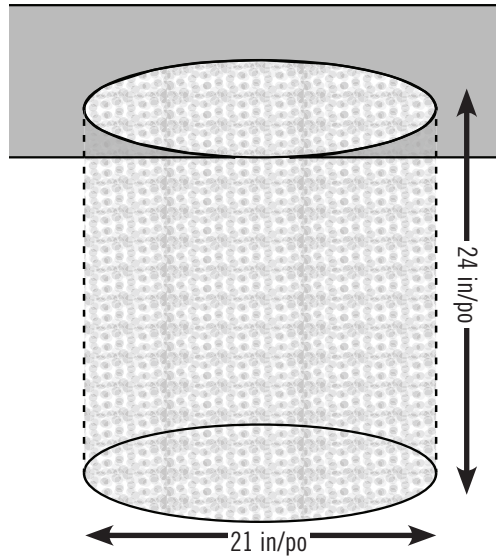
## ► SECTION 1 (CONTINUED)

### TOOLS AND HARDWARE REQUIRED



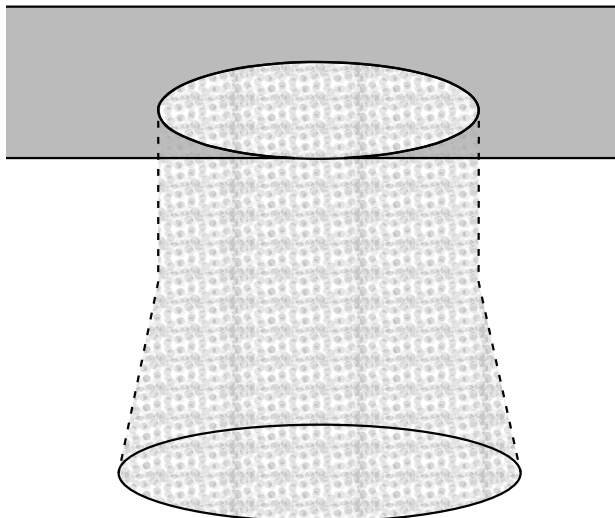
# 1.1

- Dig a round hole 24" (≈61 cm) deep and 21" (≈53 cm) in diameter. If you live in an area where frost heaves may pose a problem, consult your local building inspector to determine the proper hole depth. The edge of the hole should be flush with the edge of the playing surface.



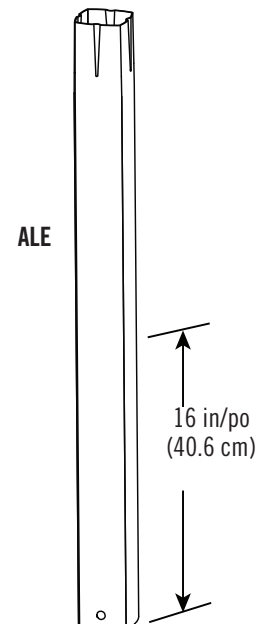
# 1.2

- Widen the bottom diameter about 4" (≈10 cm) into a bell-shaped hole as shown.



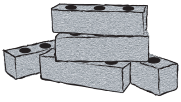
# 1.3

- Make a mark 16 inches (40.6 cm) from the dimpled end of the **Bottom Pole (ALE)** (do not scratch the powder coating).



## SECTION 1 (CONTINUED)

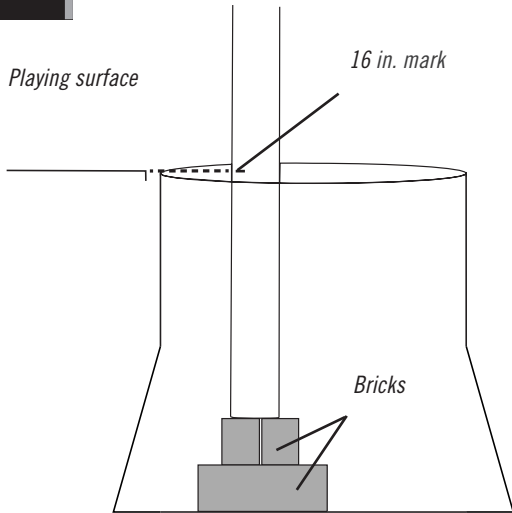
### TOOLS AND HARDWARE REQUIRED



640 lb (291 kg)



# 1.4



- Stack bricks in the hole for the bottom pole to stand on. Stack enough bricks in the hole so that the 16-inch (40.6 cm) mark on the pole is even with the top edge of the playing surface. If the pole is not even with the playing surface, dig the hole deeper or add more bricks as necessary. Position the bricks close to the front edge of the hole, near the playing surface. **The correct distance from the basketball court to the front of the pole is 4" (≈10 cm).**



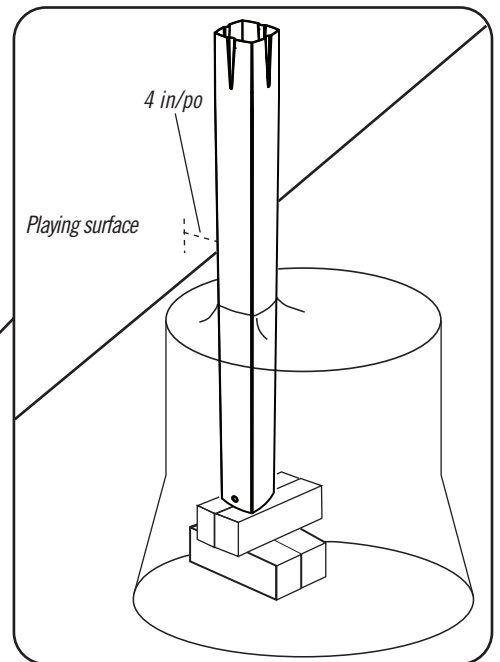
- A ground sleeve is available as an alternative to cementing the pole into the ground. Please contact Customer Service for more information.



- IMPORTANT!** If the pole is buried too deep or too shallow, the rim will not be at the correct height.

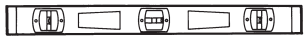
# 1.5

- Mix the concrete. Have one adult hold the bottom pole in place on the bricks, then pour the mixed concrete into the hole until it is filled to the level of the playing surface.



## ► SECTION 1 (CONTINUED)

### TOOLS AND HARDWARE REQUIRED

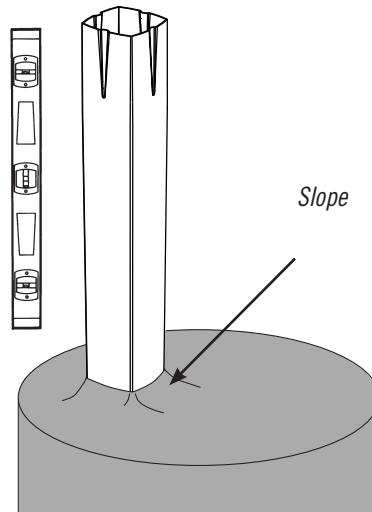


(x1)



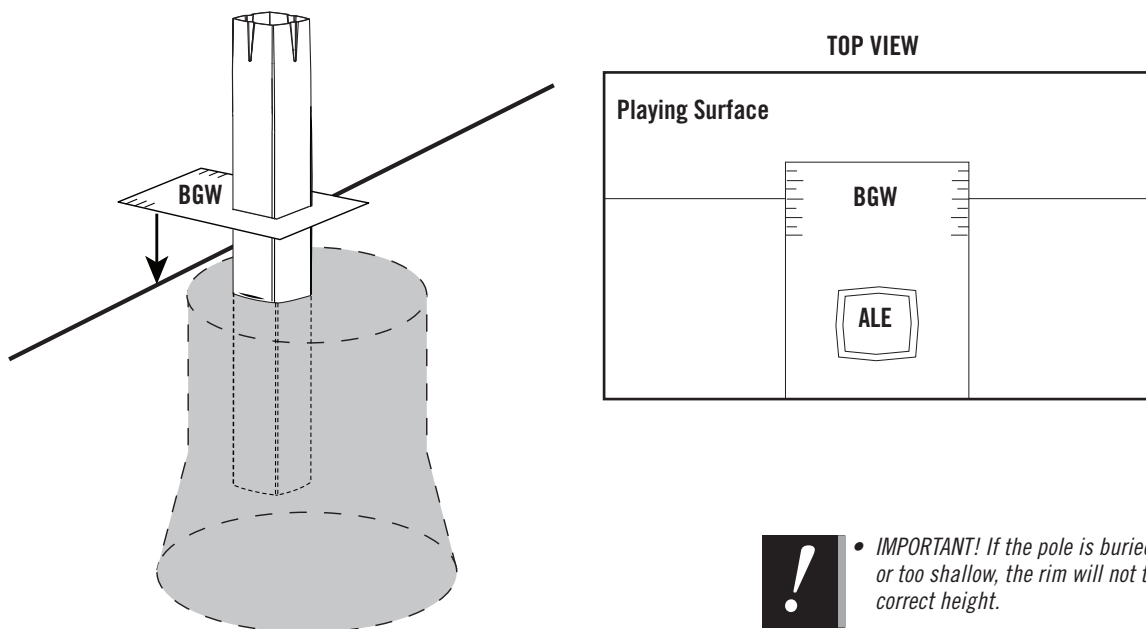
# 1.6

- Use a level to make sure the bottom pole is standing vertical. Form the cement into a downward slope away from the pole to allow water runoff. Failure to do so may result in premature rusting of the pole.



# 1.7

- Slide the paper **Alignment Frame (BGW)** over the bottom pole. For regulation courts, the alignment frame should cross the playing surface at the middle of the scored measurements.



- **IMPORTANT!** If the pole is buried too deep or too shallow, the rim will not be at the correct height.

## ► SECTION 1 (CONTINUED)

TOOLS AND HARDWARE REQUIRED

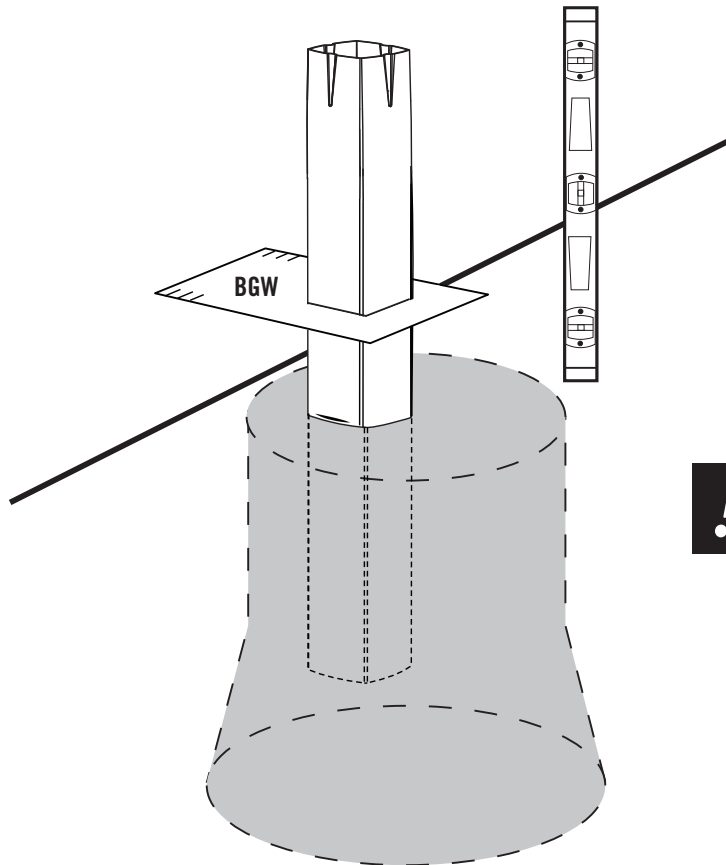


(x1)



# 1.8

- Check the pole several times within the first hour to make sure that all sides are vertical and that the 16-inch mark (40.6 cm) remains level with the surface.



- You may now remove the alignment frame (BGW).



### • STOP ASSEMBLY NOW!

*Do not continue the assembly until the concrete has been allowed to set for at least 72 hours (3 days). In humid climates or wet weather, allow more time for the concrete to cure. Do not proceed until the curing process is complete.*



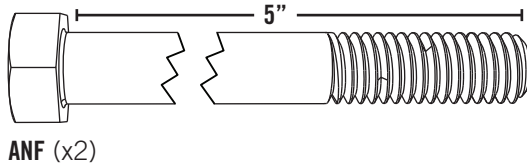
# 2

## POLE ASSEMBLY

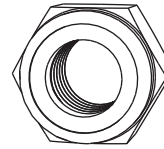


### HARDWARE REQUIRED

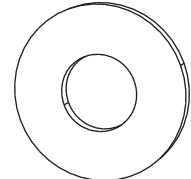
Hardware Bag



ANF (x2)



AAA (x2)



AAF (x2)



ANE (x2)



CMV (x2)\*

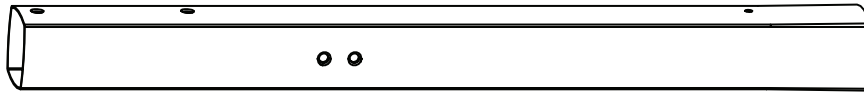


- Only one Self-Drilling Screw (CMV) will be used in Section 2. Save the second Screw for use in Section 5.



### PARTS REQUIRED

Metal Parts

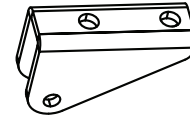


ALH (x1)



ALF (x1)

• Warning Sticker applied to this Pole



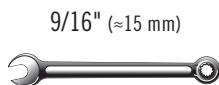
ALL (x1)



### TOOLS REQUIRED



(1)



(2)



(1)



(1)



## ► SECTION 2 (CONTINUED)

TOOLS AND HARDWARE REQUIRED



(1)



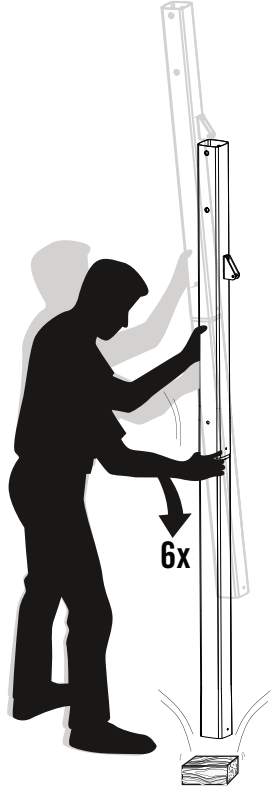
(1)



CMV (x1)

### 2.3

- **THIS STEP CANNOT BE REVERSED!** Strike the end of the Pole Assembly on a piece of scrap wood or cardboard five to six times.



- Do not hit your feet with the Pole sections, as serious injury could occur.

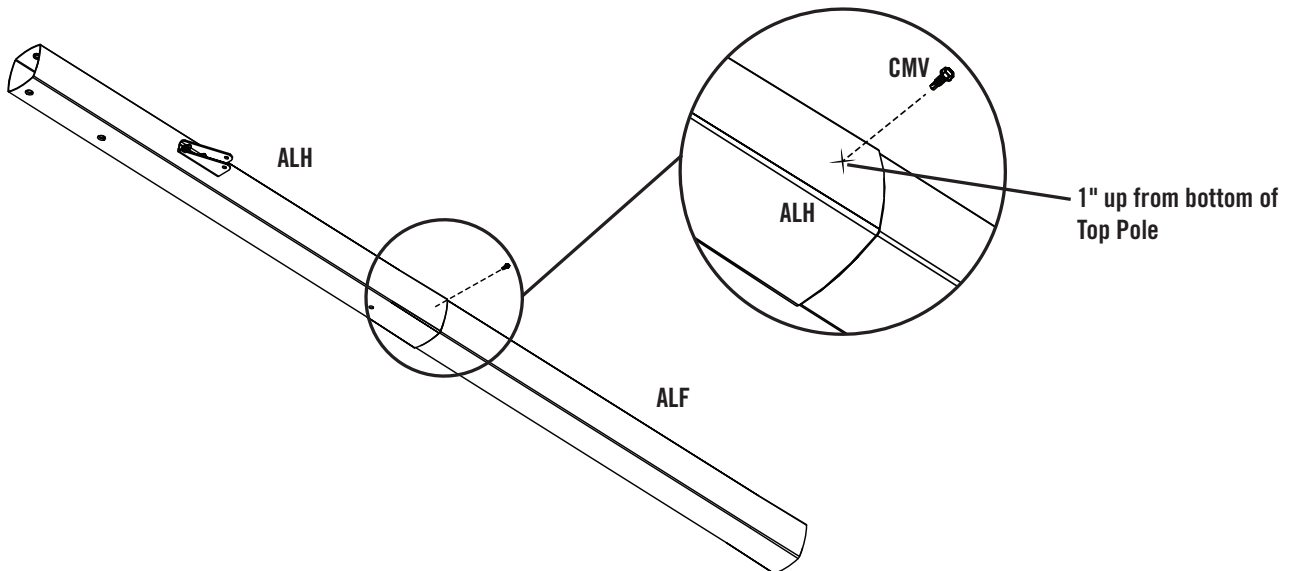


### WARNING

The Poles must be seated together! Poles must be struck on a hard surface five to six times! Failure to seat the Poles correctly could allow the Poles to separate during use, which could lead to serious personal injuries or property damage.

### 2.4

- After the Poles have been seated, measure up 1" from the bottom center of the **Top Pole (ALH)** and insert one **Self-Drilling Screw (CMV)** into the Pole as shown.



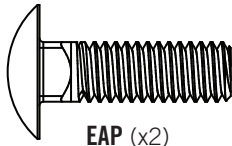
# 3

## BACKBOARD-TO-RIM ASSEMBLY

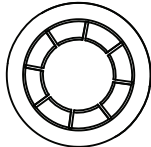


### HARDWARE REQUIRED

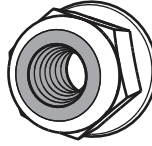
#### Hardware Bag



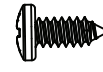
EAP (x2)



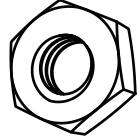
AAQ (x2)



ABK (x4)

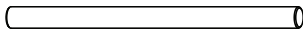


ADR (x4)



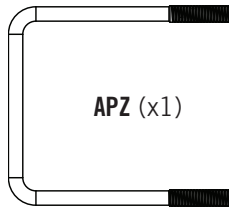
AAV (x2)

Hardware shown at 50% of Actual Size



ABQ (x1)

Hardware shown at 25% of Actual Size



APZ (x1)

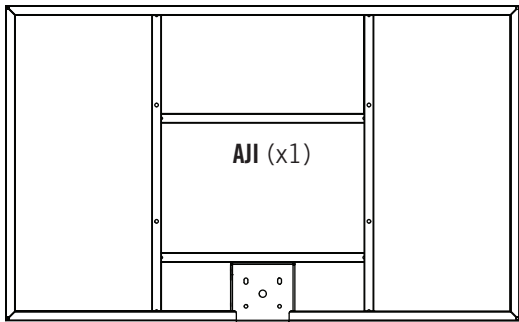


AJW (x2)

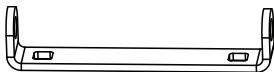


### PARTS REQUIRED

#### Metal Parts



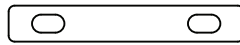
AJI (x1)



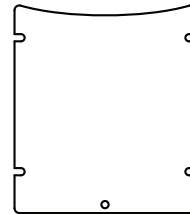
APY (x1)



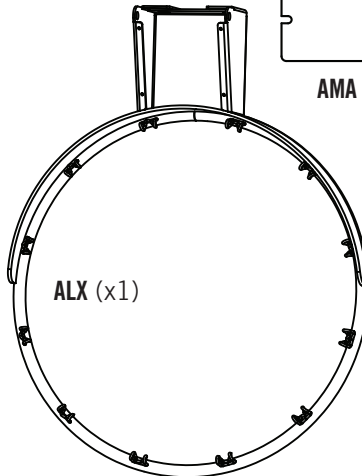
AOW (x1)



BGR (x1)

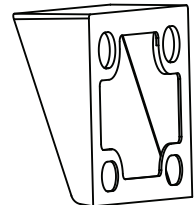


AMA (x1)



ALX (x1)

#### Plastic Parts



ALD (x1)



### TOOLS REQUIRED

1/2" (~13 mm)



(2)

1/2" (~13 mm)



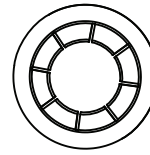
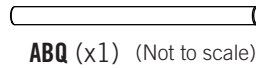
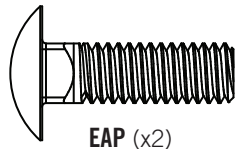
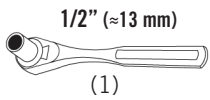
(1)



(1)

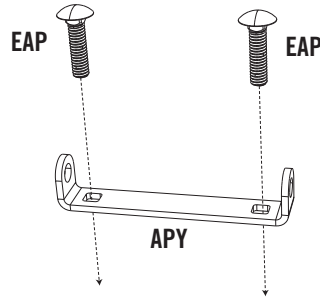
## SECTION 3 (CONTINUED)

TOOLS AND HARDWARE REQUIRED



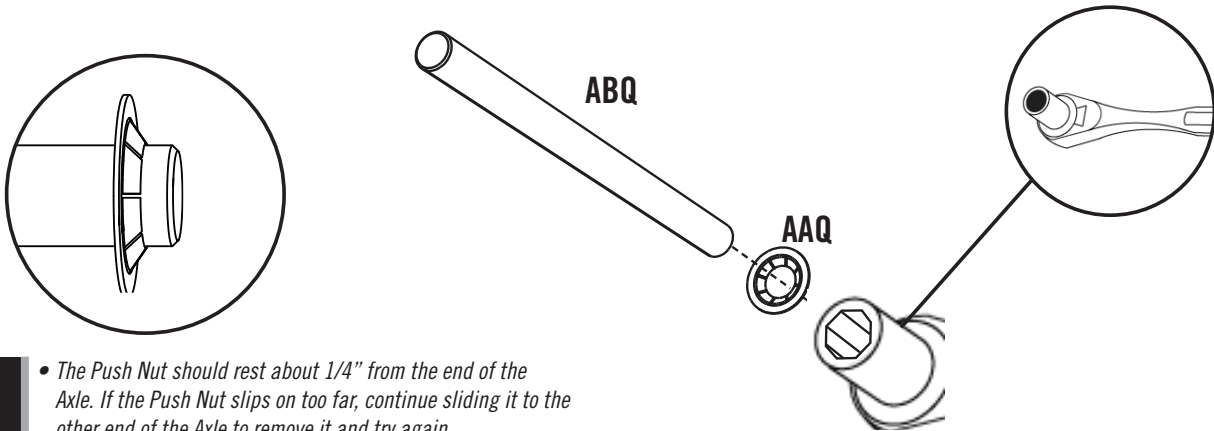
### 3.1

- Insert two **Carriage Bolts (EAP)** through the **Rim Pivot Bracket (APY)** as shown.



### 3.2

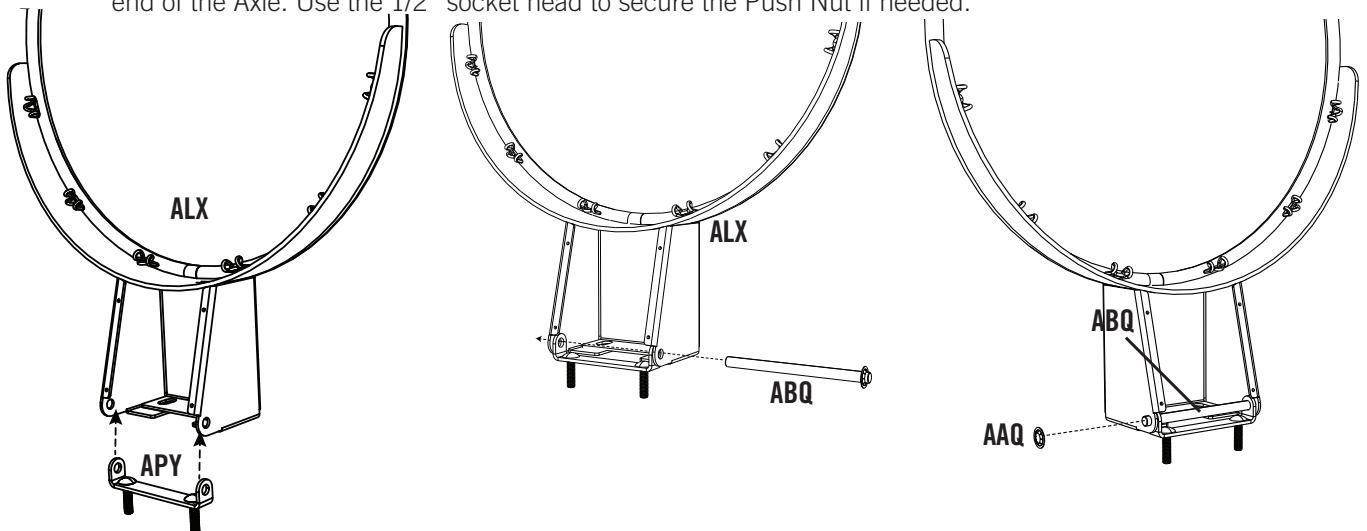
- Use the 1/2" socket from the socket wrench to press one **Push Nut (AAQ)** onto one end of the **Axle (ABQ)**.



- *The Push Nut should rest about 1/4" from the end of the Axle. If the Push Nut slips on too far, continue sliding it to the other end of the Axle to remove it and try again.*

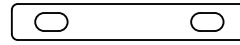
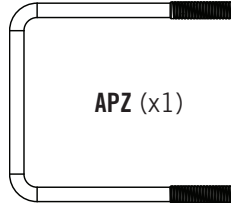
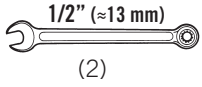
### 3.3

- Slide the end of the **Axle (ABQ)** through the **Rim (ALX)** and the **Rim Pivot Bracket (APY)**. Press the **Push Nut (AAQ)** onto the end of the Axle. Use the 1/2" socket head to secure the Push Nut if needed.



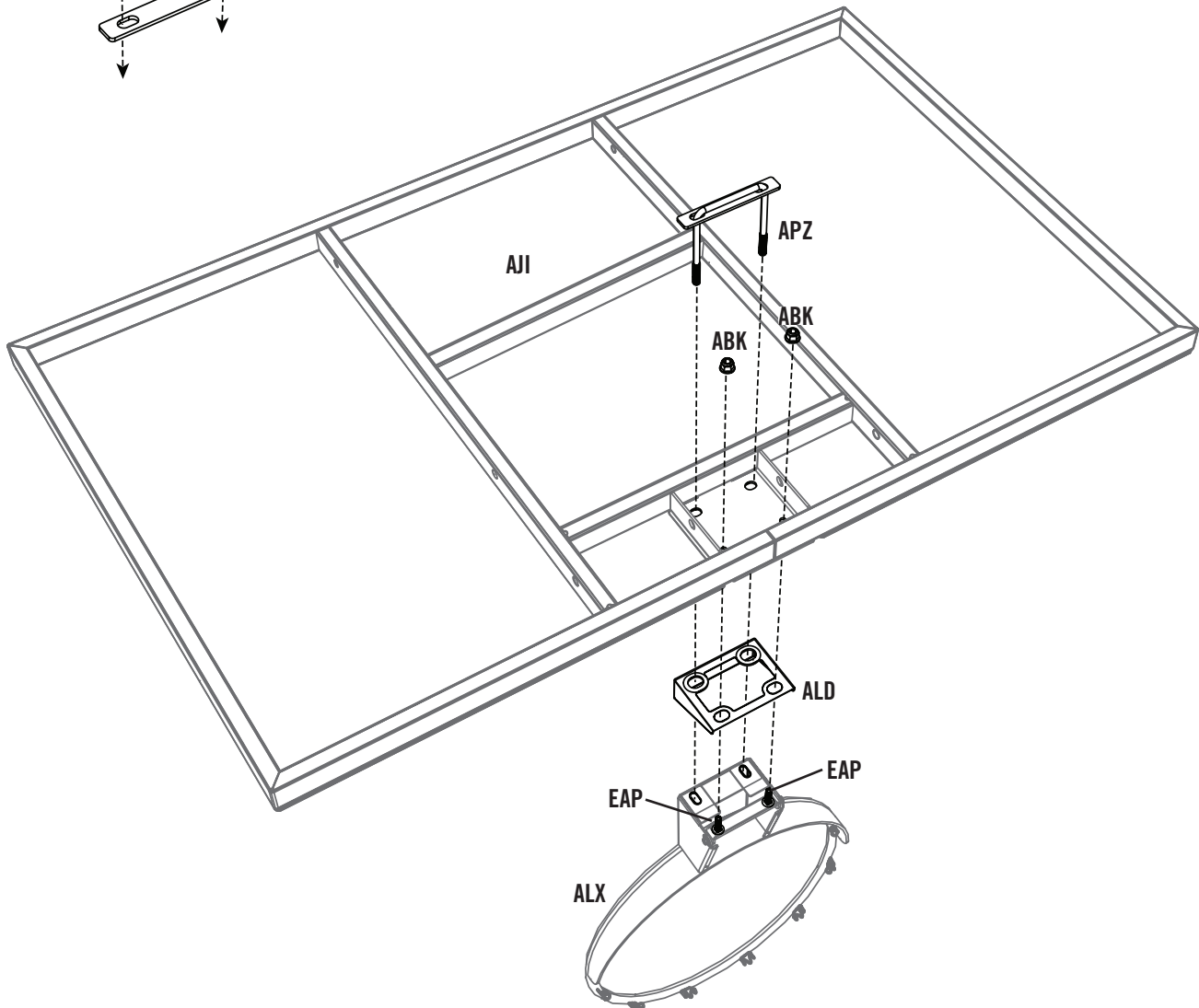
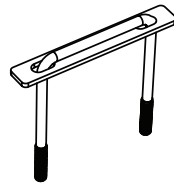
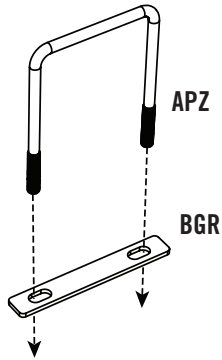
### SECTION 3 (CONTINUED)

TOOLS AND HARDWARE REQUIRED



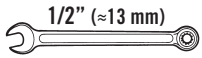
3.4

- Insert the **U-Bolt (APZ)** through the upper part of the opening on the backside of the **Backboard (AJI)**. Connect the **Rim (ALX)** and **Plastic Guard (ALD)** to the **Backboard (AJI)** with the hardware as shown.

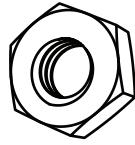
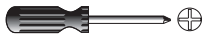


## SECTION 3 (CONTINUED)

TOOLS AND HARDWARE REQUIRED



(2)



AAV (x2)



ABK (x2)



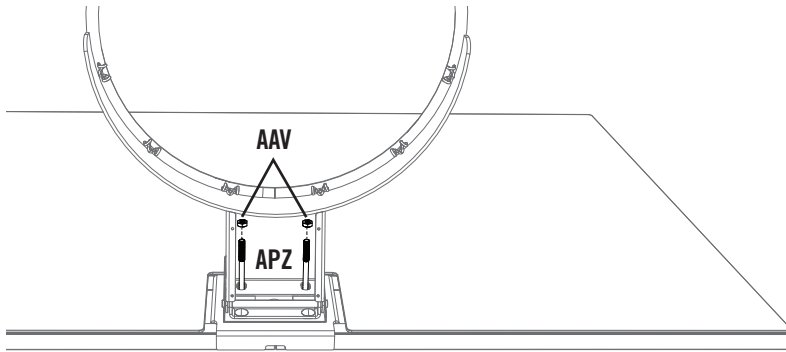
AJW (x2)



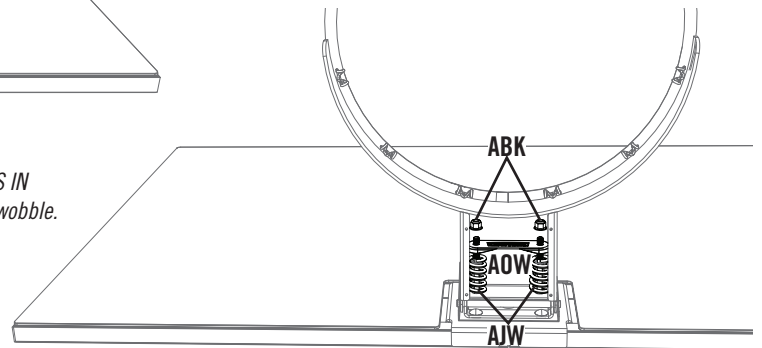
ADR (x4)

### 3.5

- Thread two **Jam Nuts (AAV)** all the way on to the **U-Bolt (APZ)**. Then slide the **Compression Springs (AJW)** onto the U-Bolt and place the **Spring Retainer Plate (AOW)** over the Compression Springs. Tighten the **Nylock Flange Nuts (ABK)** until the **Rim (ALX)** does not wobble to complete this step.

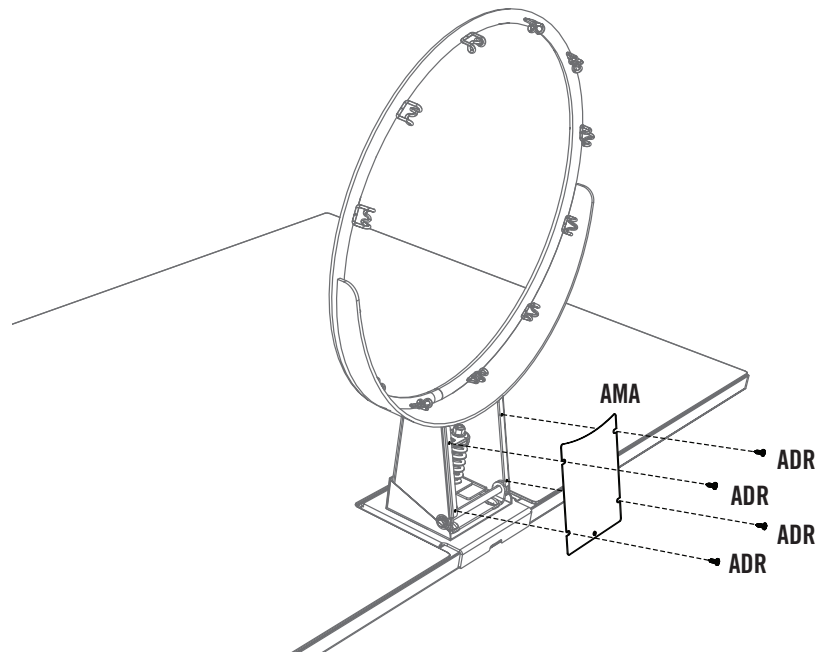


- **DO NOT COMPLETELY TIGHTEN THE NYLOCK FLANGE NUTS IN THIS STEP!** Only tighten the nuts until the Rim does not wobble. Tightening the Nuts will adjust the Rim tension.



### 3.6

- Attach the **Rim Cover Plate (AMA)** to the Rim with the hardware shown.



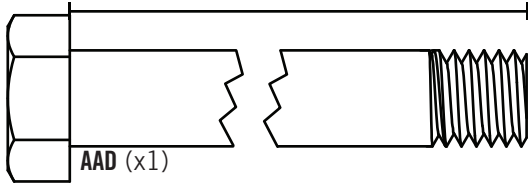
# 4

## BACKBOARD TO POLE ASSEMBLY

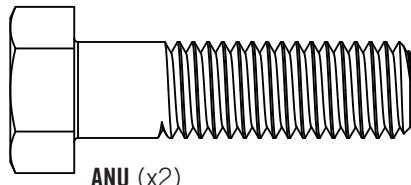


### HARDWARE REQUIRED

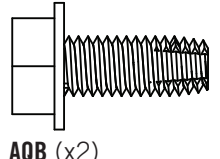
Hardware bag



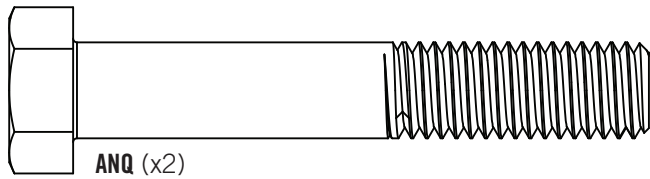
AAD (x1)



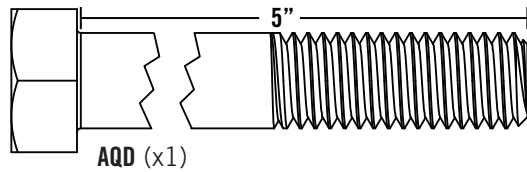
ANU (x2)



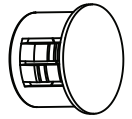
AQB (x2)



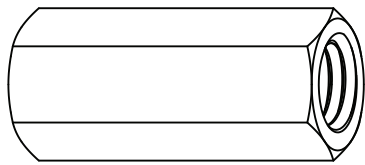
ANQ (x2)



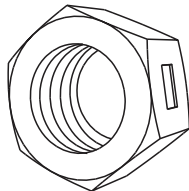
AQD (x1)



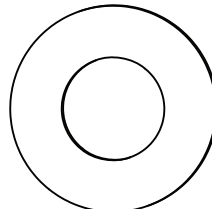
ANS (x8)



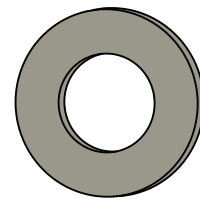
ANP (x1)



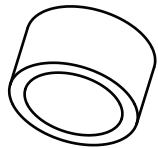
AAX (x4)



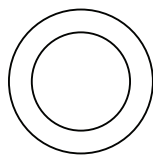
AOR (x6)



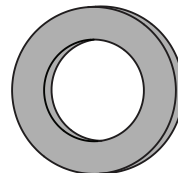
ABN (x4)



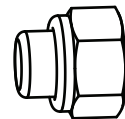
ABP (x2)



ANK (x4)



ANZ (x2)

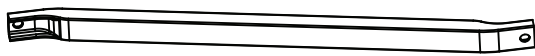


AAN (x2)



### PARTS REQUIRED

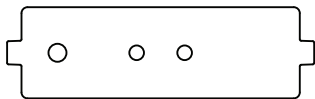
Metal Part



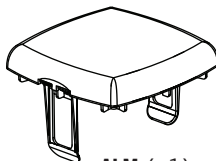
BGO (x2)



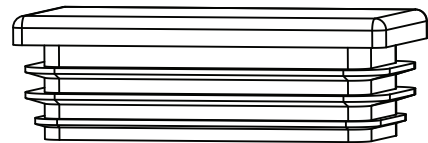
BGP (x2)



BLC (x1)



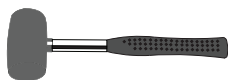
ALM (x1)



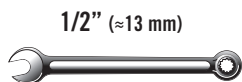
AQC (x2)



### TOOLS REQUIRED

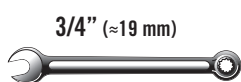


(1)



1/2" (≈13 mm)

(1)



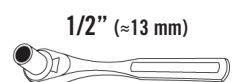
3/4" (≈19 mm)

(2)



11/16" (≈18 mm)

(1)



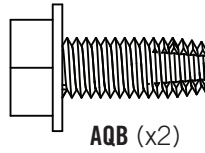
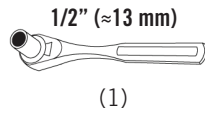
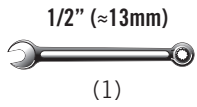
1/2" (≈13 mm)

(1)



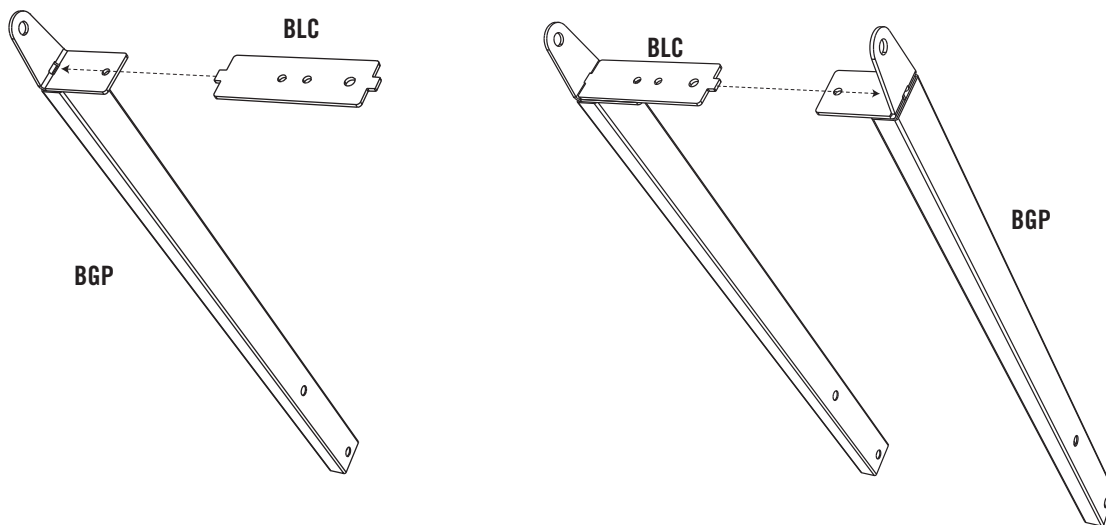
## ► SECTION 4 (CONTINUED)

### TOOLS AND HARDWARE REQUIRED



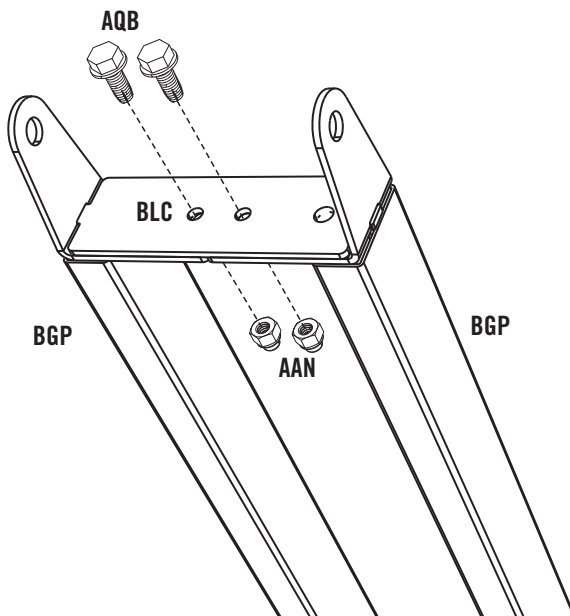
## 4.1

- Insert one end of the **Tie Plate (BLC)** into the slot on the **Lower Extension Arm (BGP)**, then insert the opposite end of the **Tie Plate (BLC)** into the slot on the other **Lower Extension Arm (BGP)** as shown.



## 4.2

- Secure the **Lower Extension Arms (BGP)** together with the hardware shown. Use a 1/2" socket wrench to screw the **Thread-Cutting Bolts (AQB)** through the Lower Extension Arms and the **Tie Plate (BLC)**.

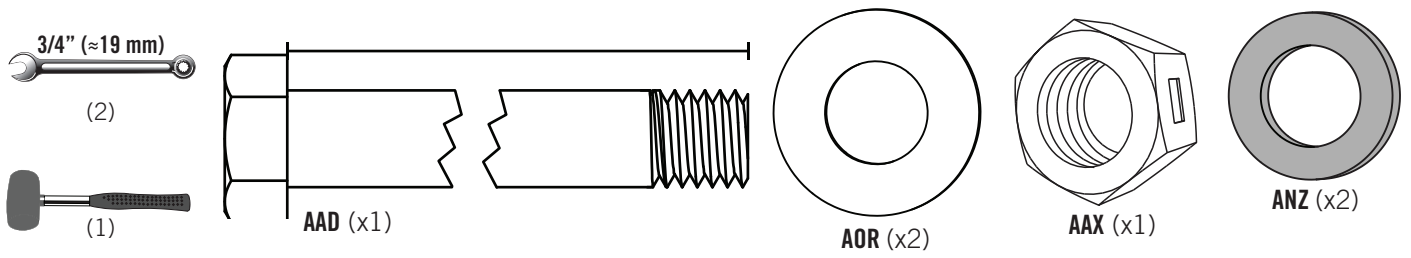


## ⚠ WARNING ⚠

Do not overtighten the cap nut. If the end of the bolt breaks through the plastic cap, call our Customer Service Department. Exposed threads on the end of the bolt may cause serious injuries.

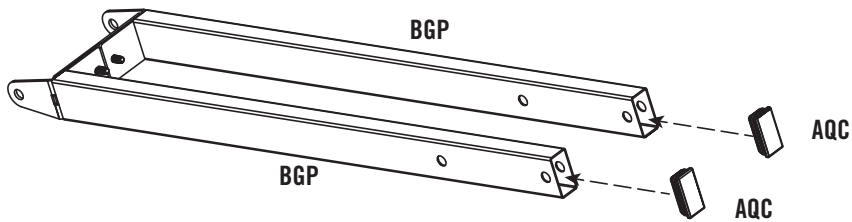
## ► SECTION 4 (CONTINUED)

TOOLS AND HARDWARE REQUIRED / HERRAMIENTAS Y ACCESORIOS REQUERIDOS / OUTILS ET ACCESSOIRES REQUIS



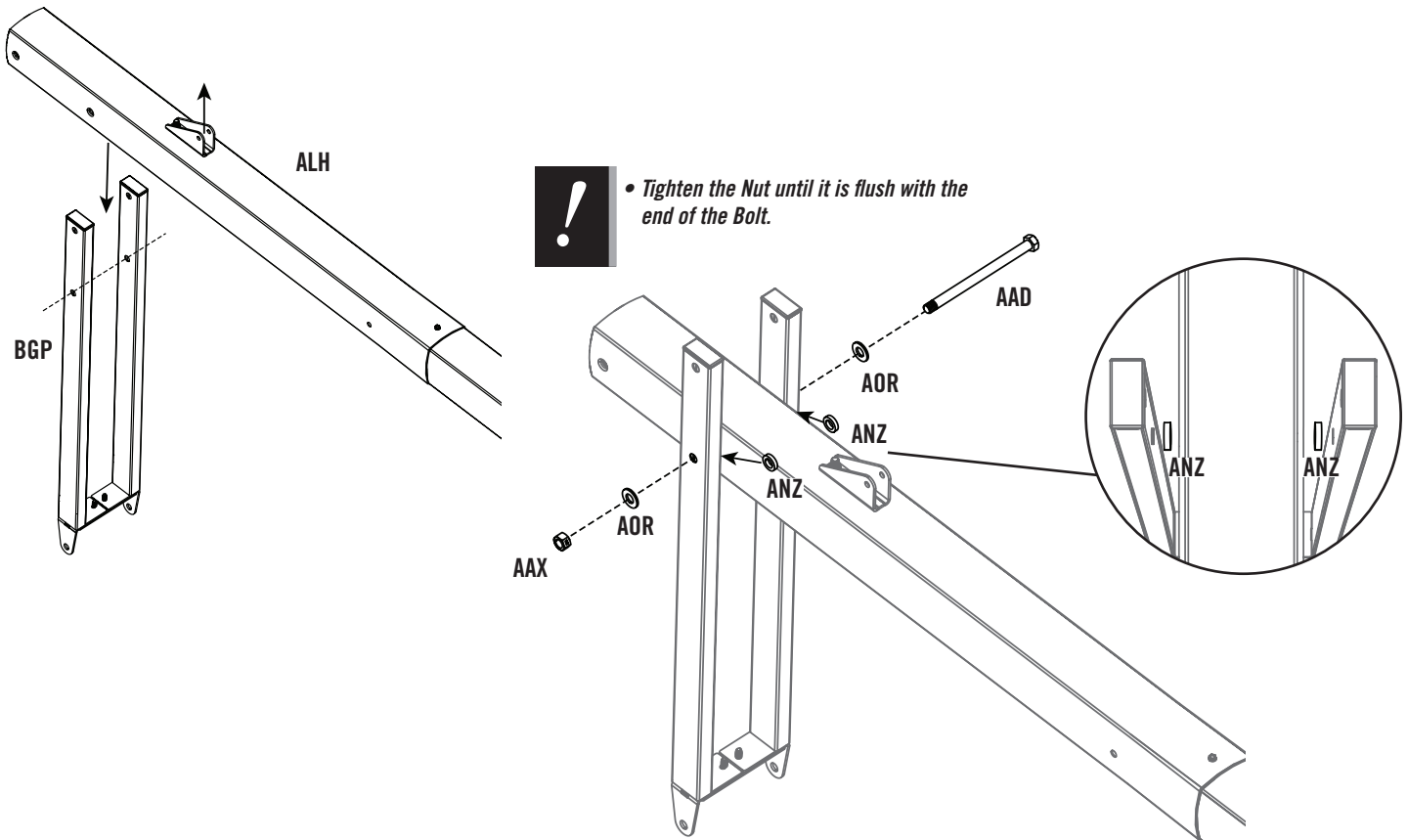
### 4.3

- Insert the **Extension Arm Caps (AQC)** into the ends of the **Lower Extension Arms (BGP)** as shown.



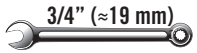
### 4.4

- Place the **Top Pole (ALH)** to the **Lower Extension Arms (BGP)** and secure them with the hardware shown.

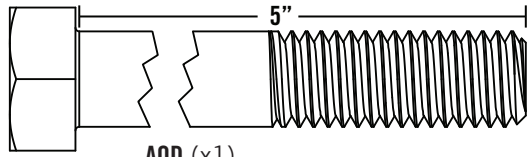


## SECTION 4 (CONTINUED)

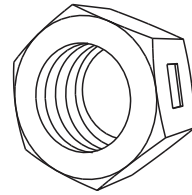
TOOLS AND HARDWARE REQUIRED



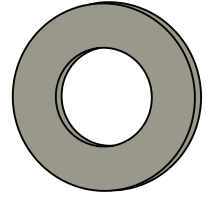
(2)



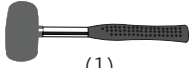
AQD (x1)



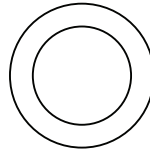
AAX (x1)



ABN (x2)



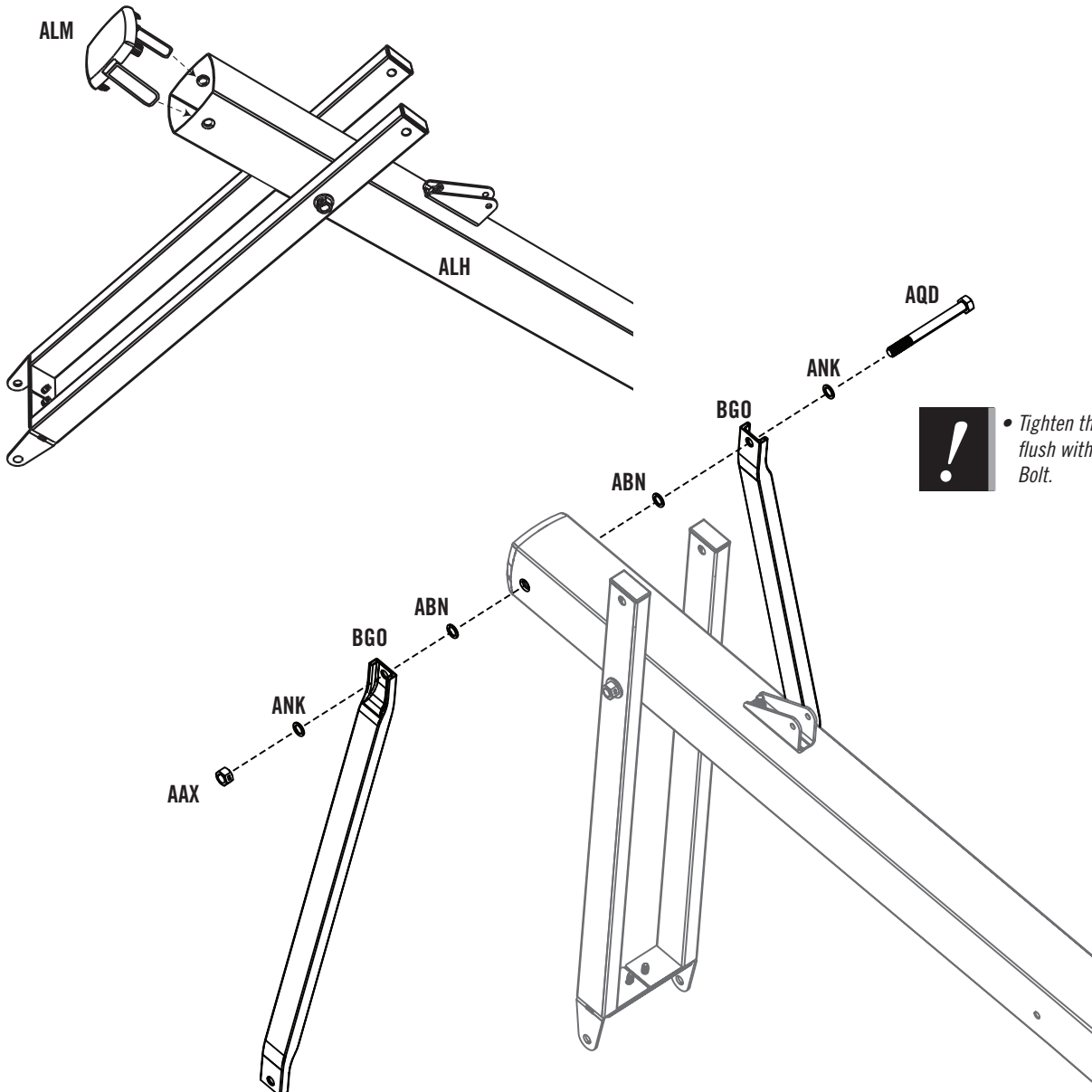
(1)



ANK (x2)

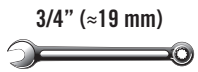
# 4.5

- Place the **Cap (ALM)** to the **Top Pole (ALH)**. Then attach the **Upper Extension Arms (BGO)** to the **Top Pole (ALH)** with the hardware as shown.



## SECTION 4 (CONTINUED)

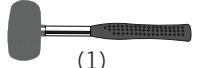
### TOOLS AND HARDWARE REQUIRED



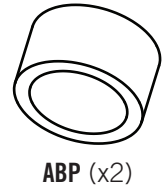
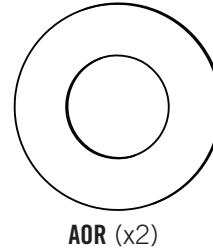
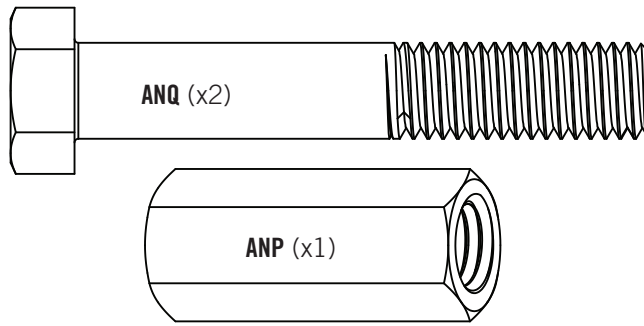
(2)



(1)

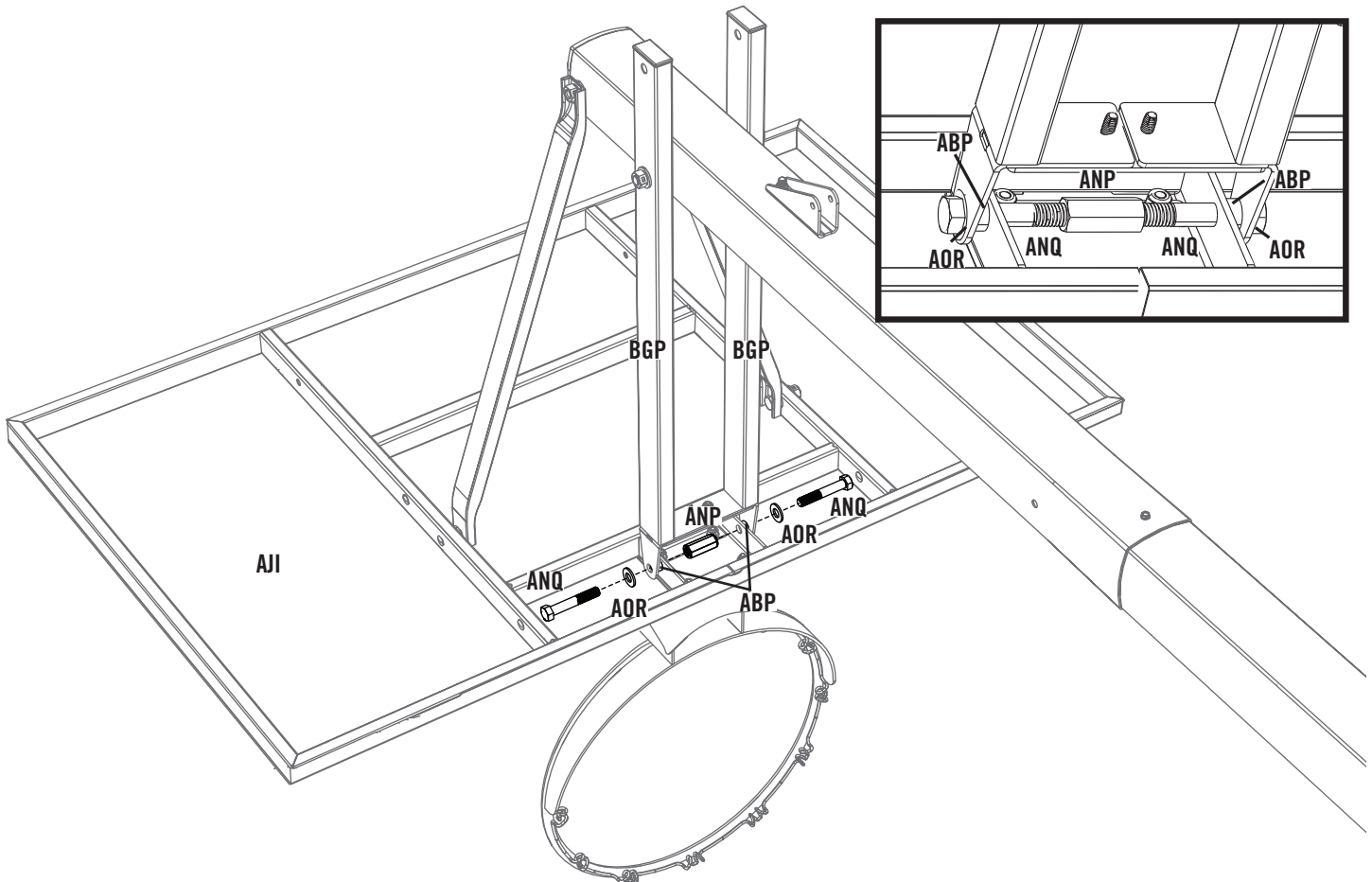


(1)



## 4.6

- Rest the Rim on cardboard to prevent scratching, then secure the **Lower Extension Arms (BGP)** to the **Backboard (AJI)** with the hardware shown. Screw the **Nut Coupler (ANP)** onto one of the **Hex Bolts (ANQ)**, then onto the other. Center the Coupler between the two Bolts as shown.



- Make sure the **Poly Spacers (ABP)** positioned between the Lower Extension Arms and the Backboard do not bulge.



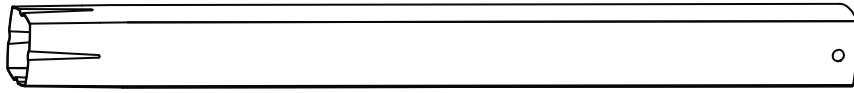
**This page intentionally left blank**

*Lift out this section for use as a quick reference*

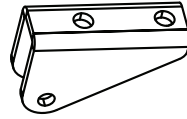


# PARTS IDENTIFIER

## Metal Parts



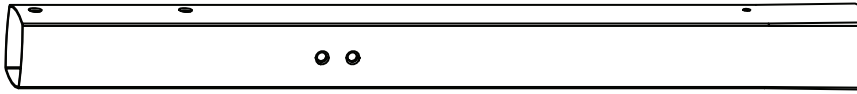
**ALE** (x1)



**ALL** (x1)



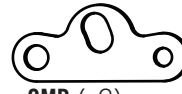
**ALF** (x1) • Warning Sticker applied to side not shown



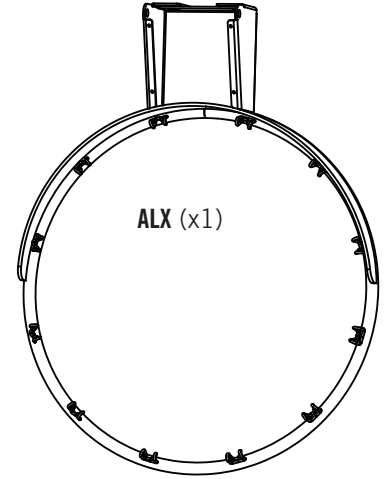
**ALH** (x1)



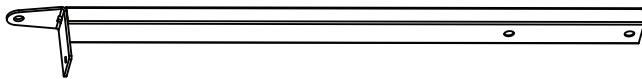
**BGO** (x2)



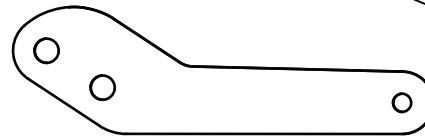
**CMR** (x2)



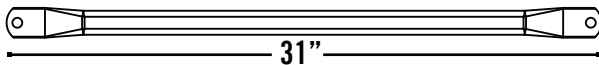
**ALX** (x1)



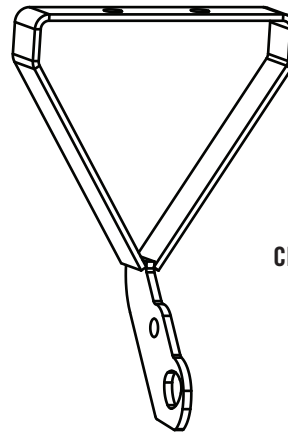
**BGP** (x2)



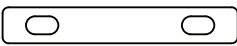
**CKM** (x2)



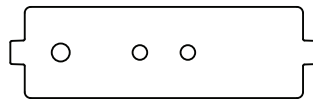
**ALS** (x2) 31"



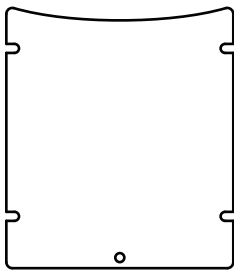
**CKJ** (x1)



**BGR** (x1)



**BLC** (x1)



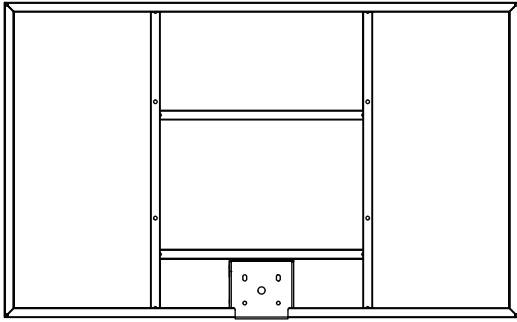
**AMA** (x1)

Lift out this section for use as a quick reference

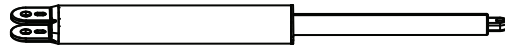


# PARTS IDENTIFIER

## Plastic Parts



AJI (x1)



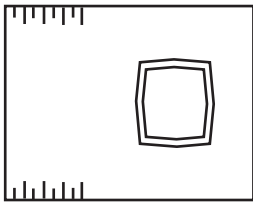
AKF (x1)



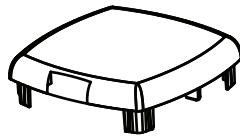
AKG (x1)



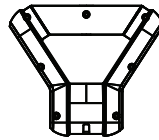
AKP (x1)



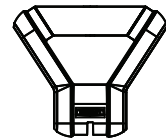
BGW (x1)



ALM (x1)



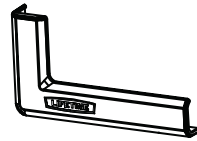
CKI (x1)



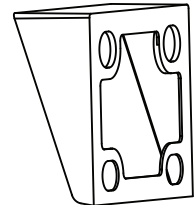
CKH (x1)



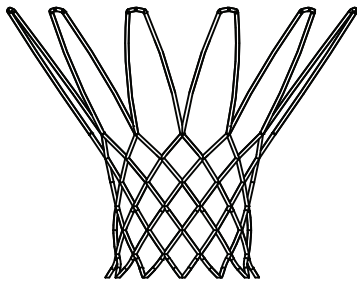
AJQ (x1)



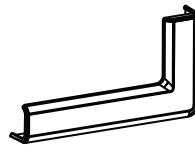
BAA (x1)



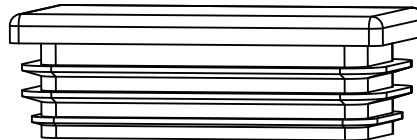
ALD (x1)



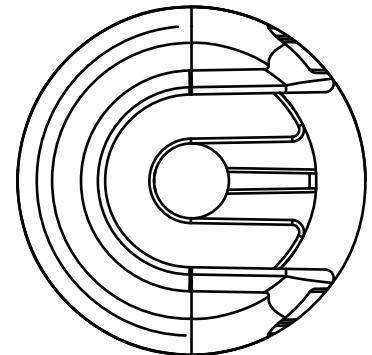
AKZ (x1)



BAB (x1)



AQC (x2)



CKG (x2)

Lift out this section for use as a quick reference



# HARDWARE REQUIRED





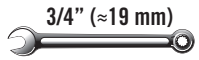
**This page intentionally left blank**

*Lift out this section for use as a quick reference*



## SECTION 4 (CONTINUED)

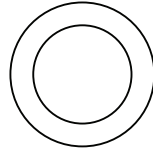
TOOLS AND HARDWARE REQUIRED



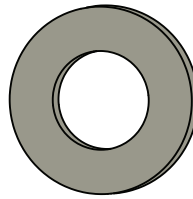
(2)



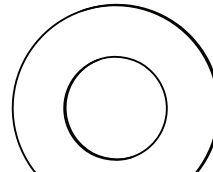
(1)



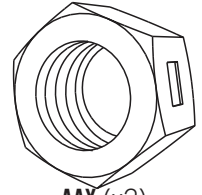
ANK (x2)



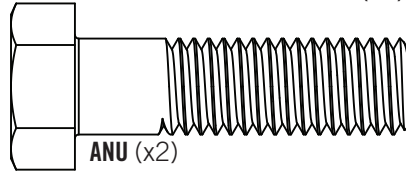
ABN (x2)



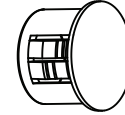
AOR (x2)



AAX (x2)



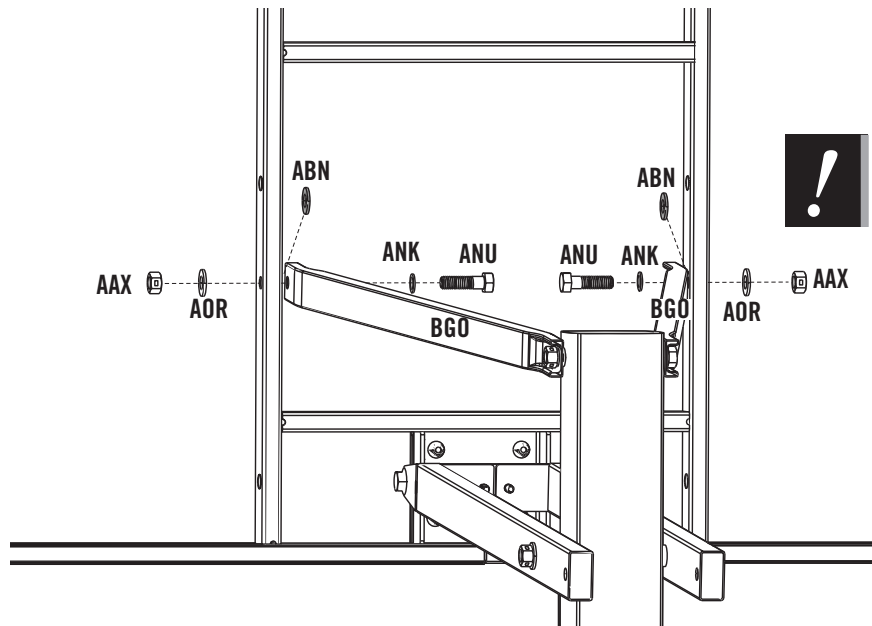
ANU (x2)



ANS (x8)

# 4.7

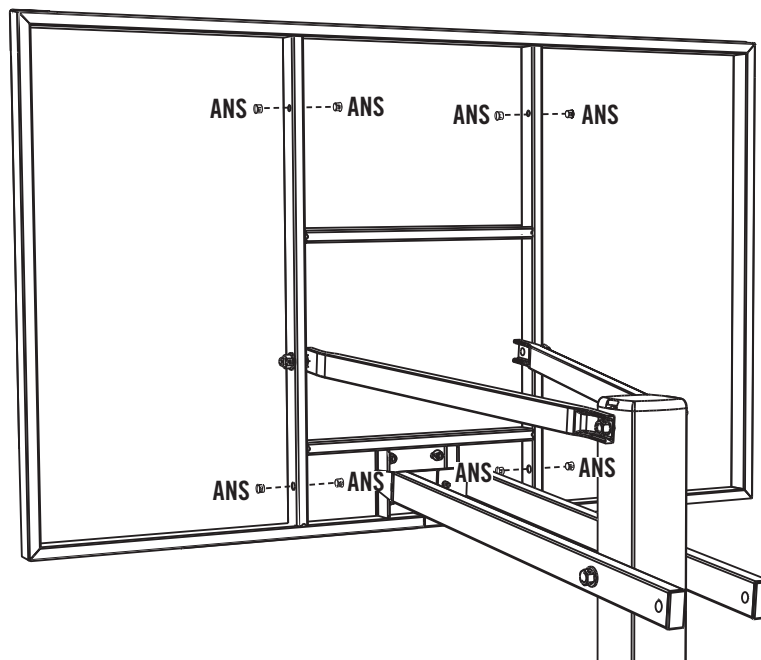
- Attach the **Upper Extension Arms (BGO)** to the **Backboard (AJI)** with the hardware as shown.



- Tighten the Nuts until they are flush with the end of the Bolts.

# 4.8

- Insert the **Nylon Plugs (ANS)** into the locations indicated on the back of the Backboard.



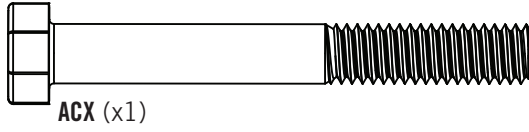
# 5

## HANDLE ASSEMBLY

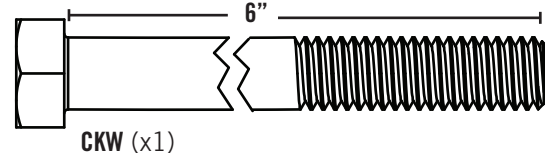


### HARDWARE REQUIRED

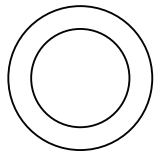
Hardware Bag



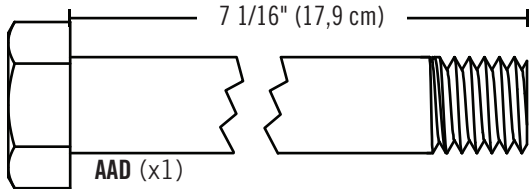
ACX (x1)



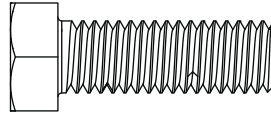
CKW (x1)



ANK (x2)



AAD (x1)



FHM (x1)

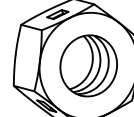
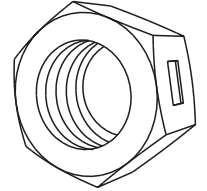


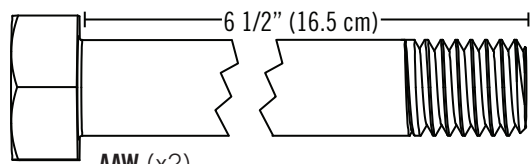
ABB (x1)



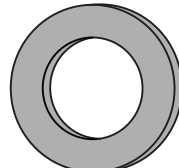
BFI (x1)



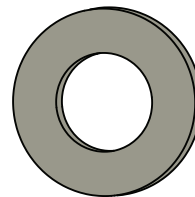
AAX (x3)



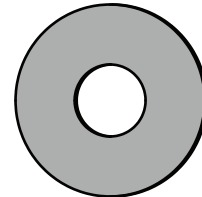
AAW (x2)



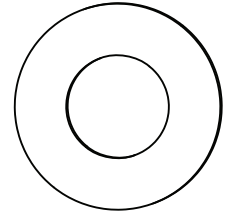
ANZ (x3)



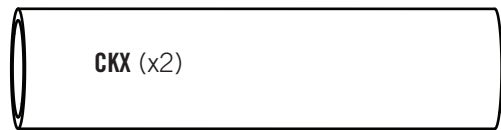
ABN (x4)



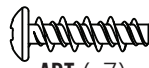
CKV (x2)



AOR (x2)



CKX (x2)



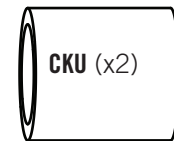
ADT (x7)



CKT (x1)



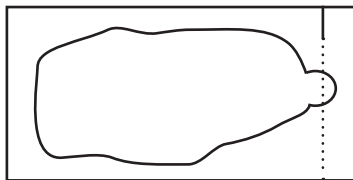
CKY (x2)



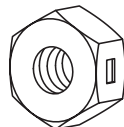
CKU (x2)



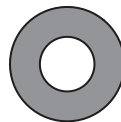
AAO (x1)



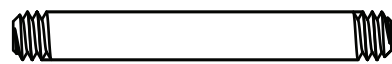
AKH (x1)



AAB (x2)



AEB (x2)



CKZ (x1)

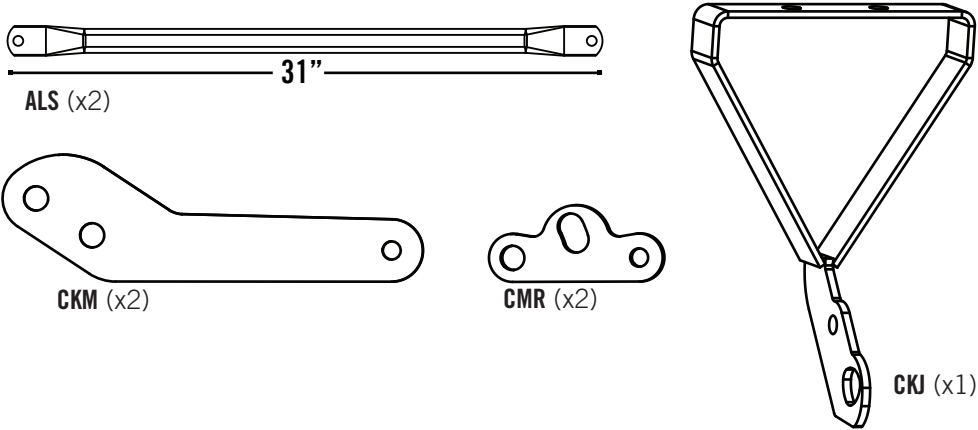
# 5

## HANDLE ASSEMBLY

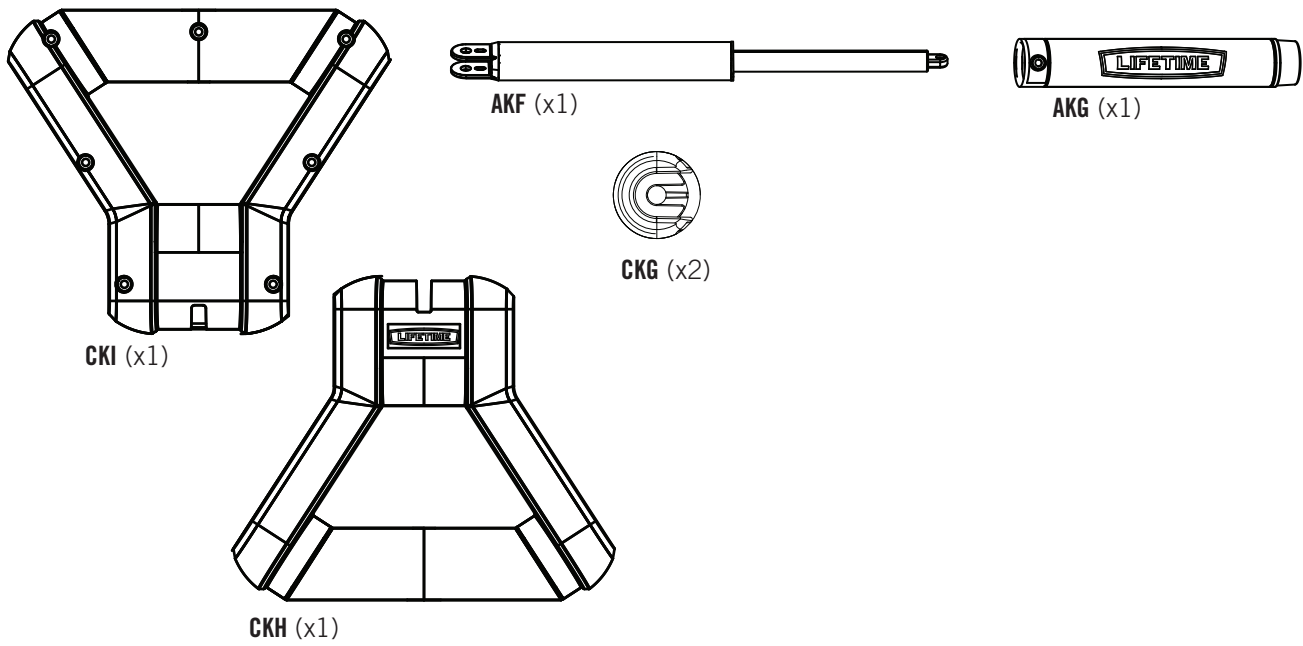


### PARTS REQUIRED

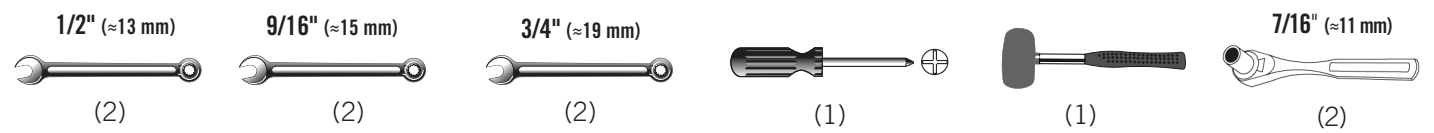
#### Metal Parts



#### Plastic Parts

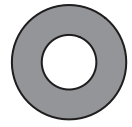
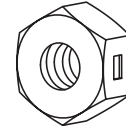
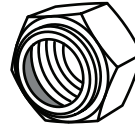
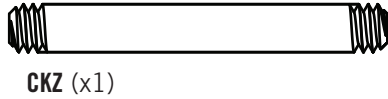
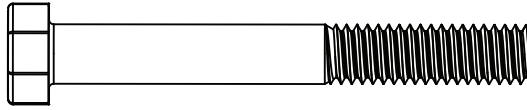
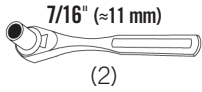
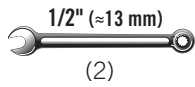


### TOOLS REQUIRED



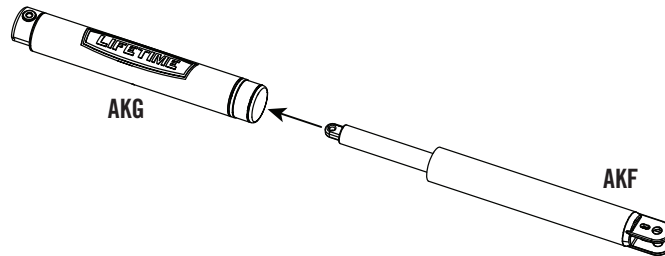
## SECTION 5 (CONTINUED)

### TOOLS AND HARDWARE REQUIRED



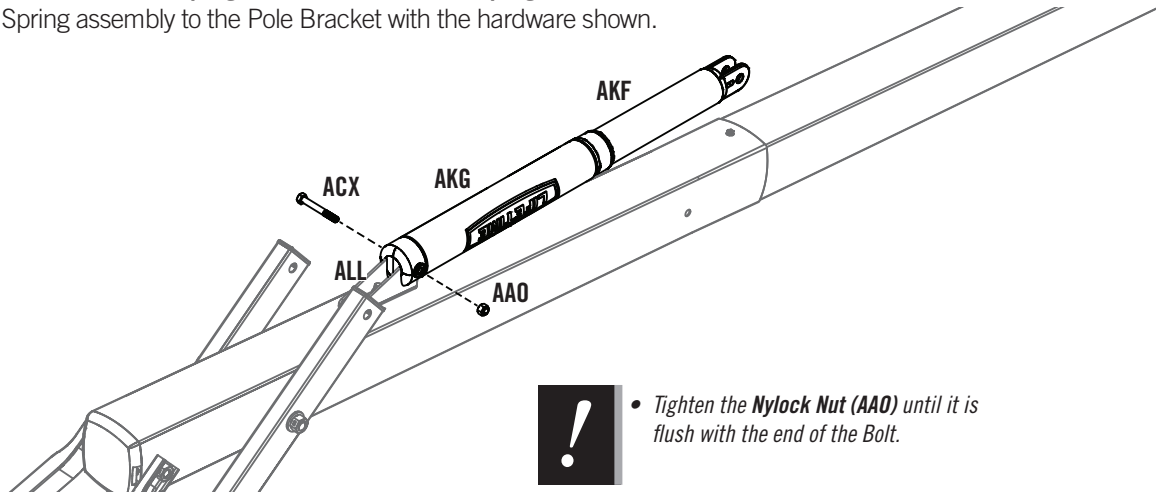
## 5.1


- Slide the **Gas Spring Cover (AKG)** onto the **Gas Spring (AKF)** as shown.



## 5.2

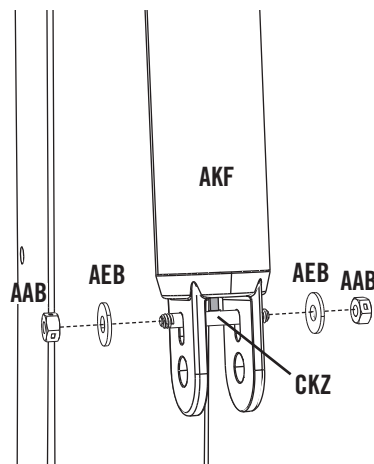
- Align the holes in the **Gas Spring Cover (AKG)** and the **Gas Spring (AKF)** with the holes in the **Pole Bracket (ALL)**, and attach the Gas Spring assembly to the Pole Bracket with the hardware shown.




-  **Tighten the Nylock Nut (AAO) until it is flush with the end of the Bolt.**

## 5.3

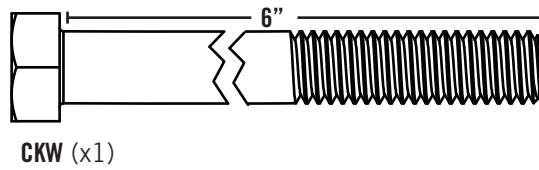
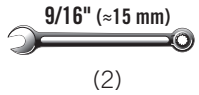
- Connect the **Gas Shock Rod (CKZ)** to the Gas Spring in the location pictured using the hardware shown.



-  **DO NOT overtighten the hardware. The Gas Shock Rod should move freely.**

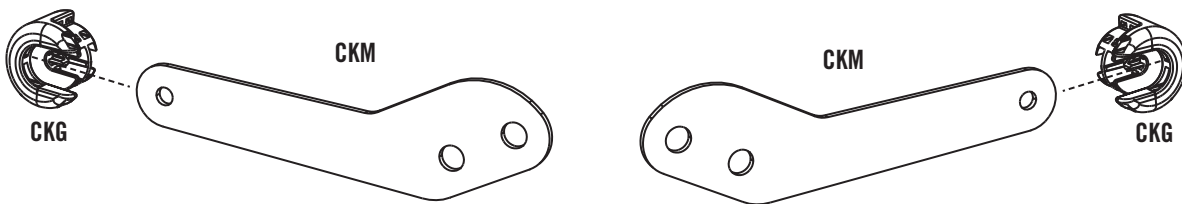
## ► SECTION 5 (CONTINUED)

TOOLS AND HARDWARE REQUIRED



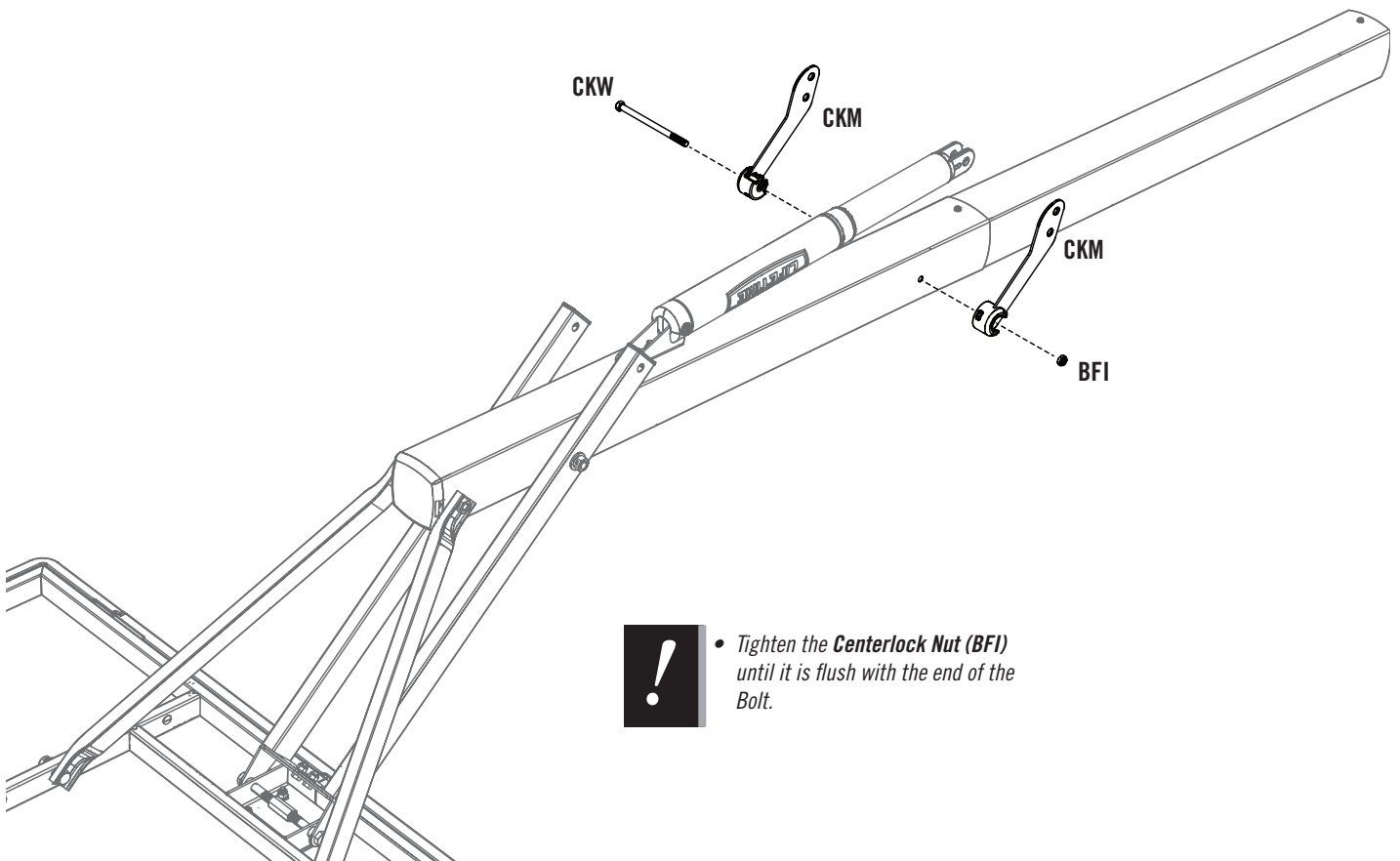
### 5.4

- Slide the **Link Cap (CKG)** onto the **Pump Adjust Link (CKM)**. Repeat this for the second Link, with the Link Cap flipped over.



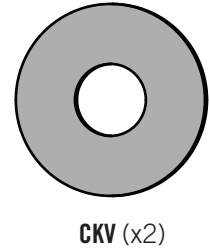
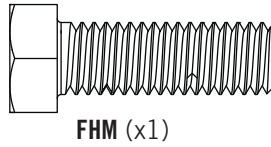
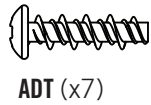
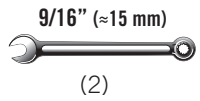
### 5.5

- Secure the **Pump Adjust Links (CKM)** to the Pole Assembly using the hardware as shown.



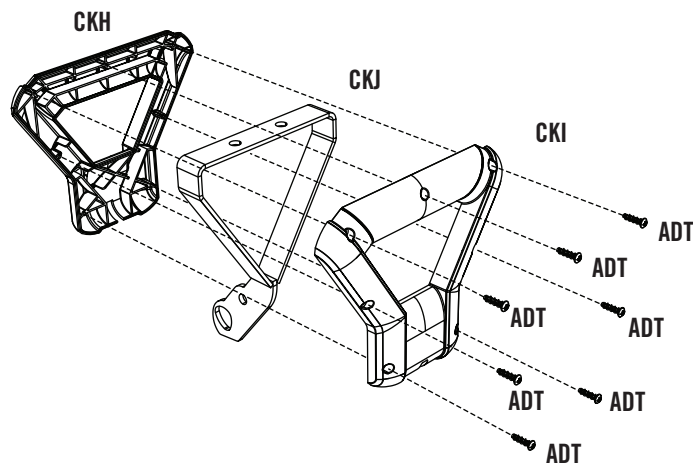
## SECTION 5 (CONTINUED)

TOOLS AND HARDWARE REQUIRED



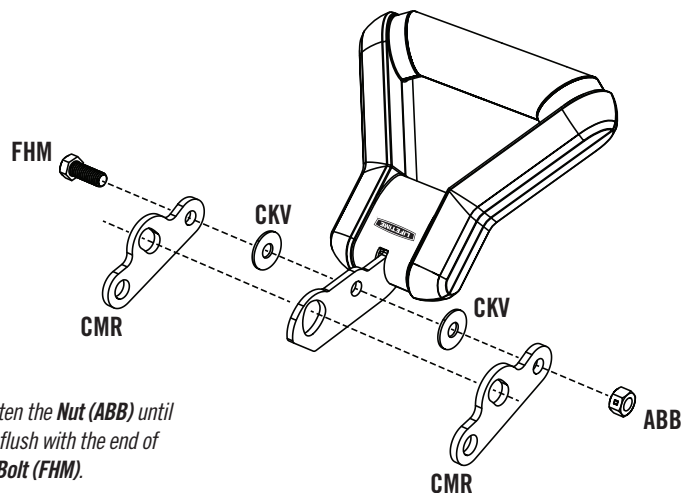
### 5.6

Position the **Handle Frame (CKJ)** inside of the **Top Handle (CKH)** and **Bottom Handle (CKI)** as shown, and secure with the hardware shown.



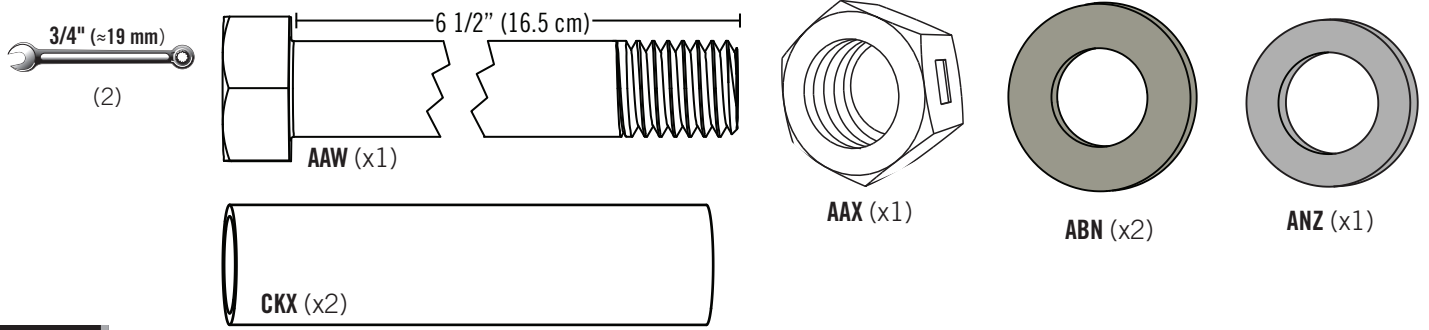
### 5.7

Secure the **Pump Adjust Actuators (CMR)** to the Handle with the hardware shown.



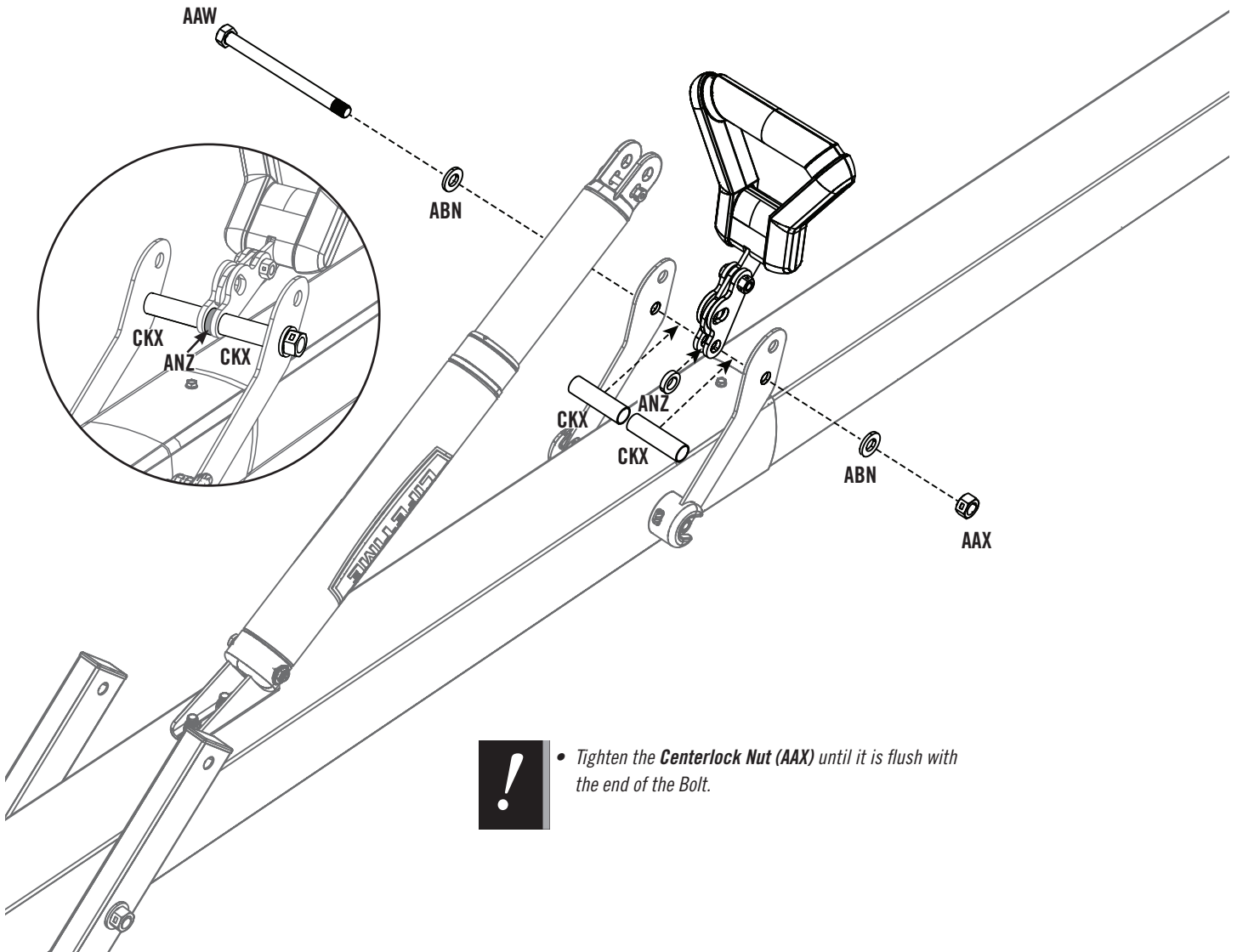
## SECTION 5 (CONTINUED)

TOOLS AND HARDWARE REQUIRED



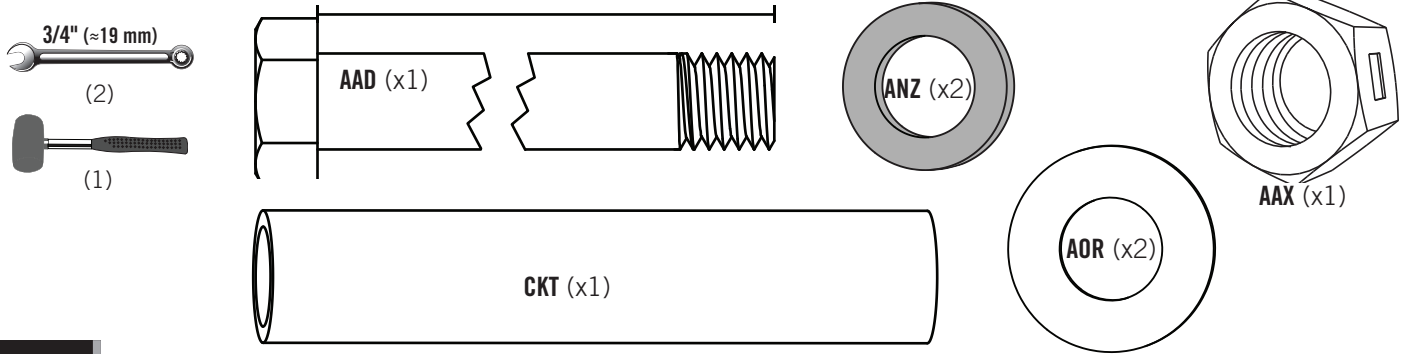
### 5.8

- Line up the hardware and spacers shown with the hole nearest to the pole on the **Pump Adjust Links (CKM)** and the **Pump Adjust Actuators (CMR)**. Secure with the **Centerlock Nut (AAX)**.



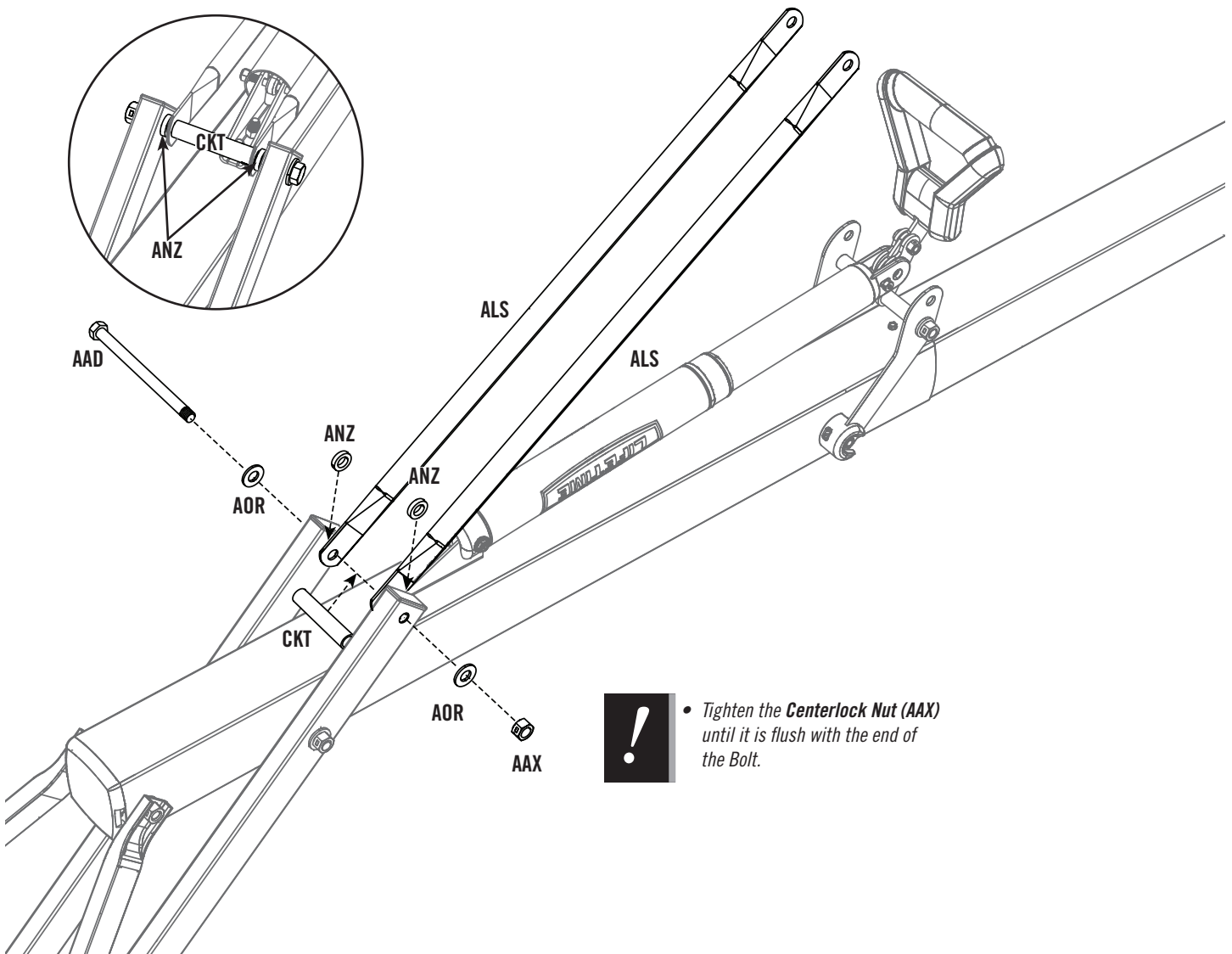
## SECTION 5 (CONTINUED)

### TOOLS AND HARDWARE REQUIRED



## 5.9

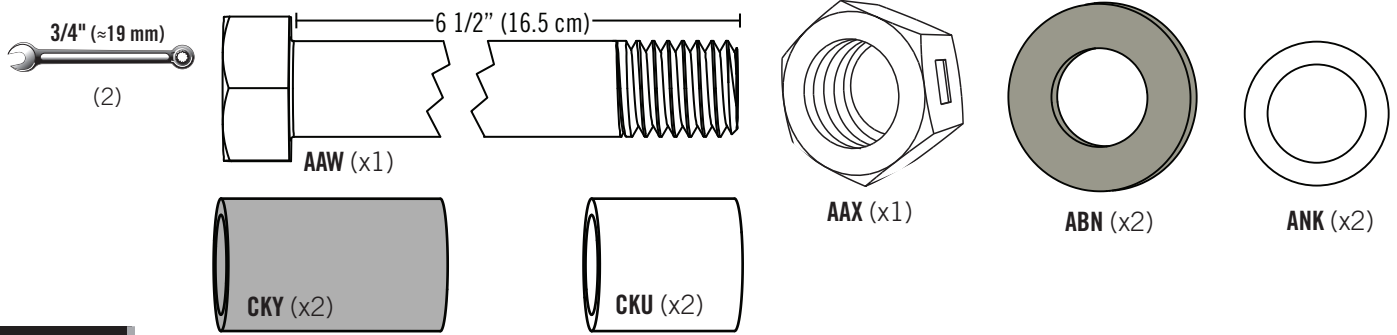
- Connect the **Rear Lifter Arms (ALS)** to the inside of the **Long Extension Arms (AKB)** with the hardware shown. Place a **Spacer (CKT)** between the Rear Lifter Arms as shown, with a **Spacer (ANZ)** between the Rear Lifter Arms and the Long Extension Arms on each side. Tighten the hardware in this step and in steps 4.3 securely now.





## ► SECTION 5 (CONTINUED)

TOOLS AND HARDWARE REQUIRED

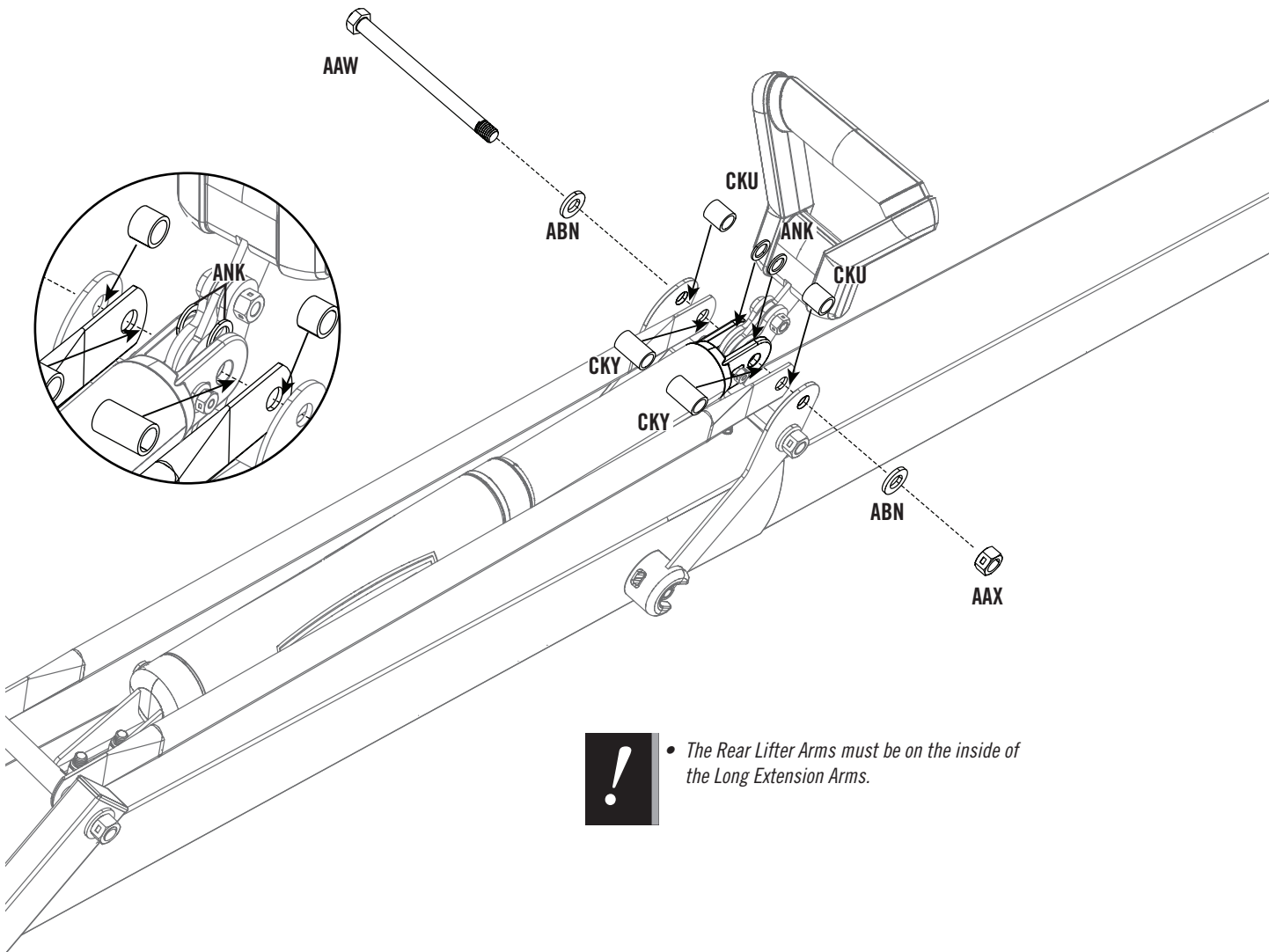


### 5.10

- Finish connecting the Handle Assembly to the **Gas Spring (AKF)** with the hardware shown. Make sure to place a **Nylon Washer (ANK)** between the Gas Spring and the Handle Assembly on each side of the Handle Assembly as shown.



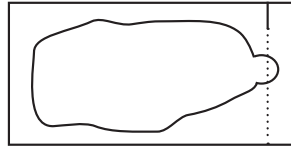
- *Tighten the **Centerlock Nut (AAX)** until it is flush with the end of the Bolt.*



- *The **Rear Lifter Arms** must be on the inside of the **Long Extension Arms**.*

► SECTION 5 (CONTINUED)

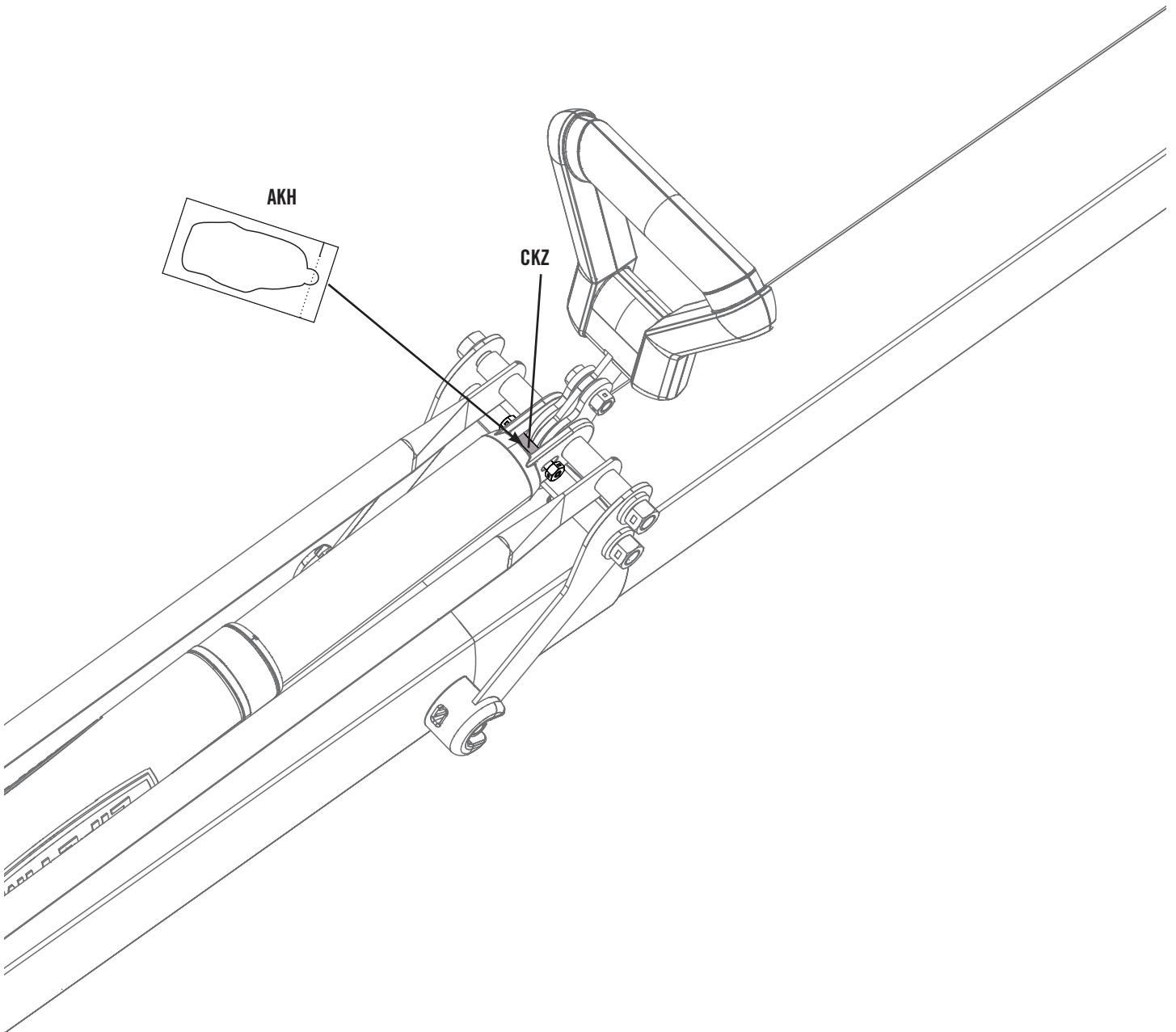
TOOLS AND HARDWARE REQUIRED



AKH (x1)

5.11

- Apply grease from the **Grease Packet (AKH)** on to the **Gas Shock Rod (CKZ)**.



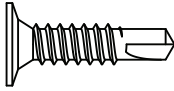
# 6

## FINAL ASSEMBLY



### HARDWARE REQUIRED

#### Hardware Bag



ADP (x10)



CMV (x1)\*



- Screw CMV is taken from the remaining hardware in Bag BCO, which was used in Section 1 of this manual.

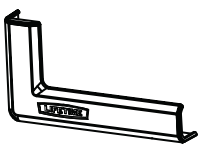


### PARTS REQUIRED

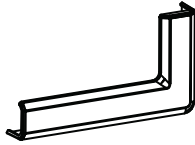
#### Plastic Parts



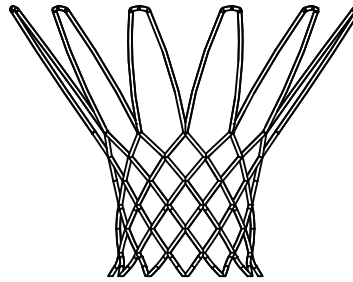
AJQ (x1)



BAA (x2)



BAB (x1)



AKZ (x1)



AKP (x1)



### TOOLS REQUIRED



(1)



(1)



(3)



(1)



(1)



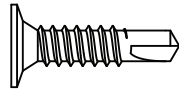
(1)

## SECTION 6 (CONTINUED)

TOOLS AND HARDWARE REQUIRED



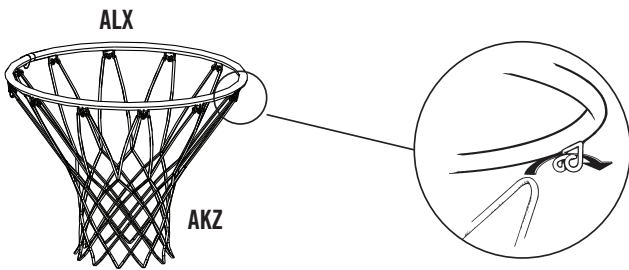
(1)



ADP (x10)

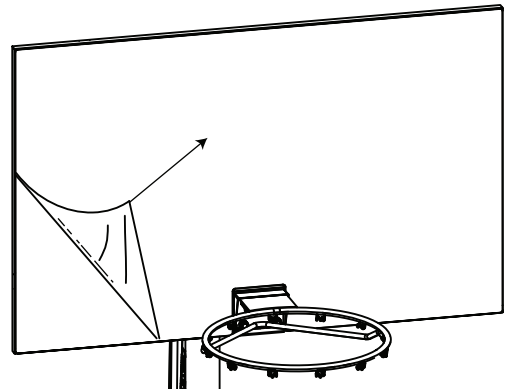
### 6.1

- Attach the **Net (AKZ)** to the **Rim (ALX)**.



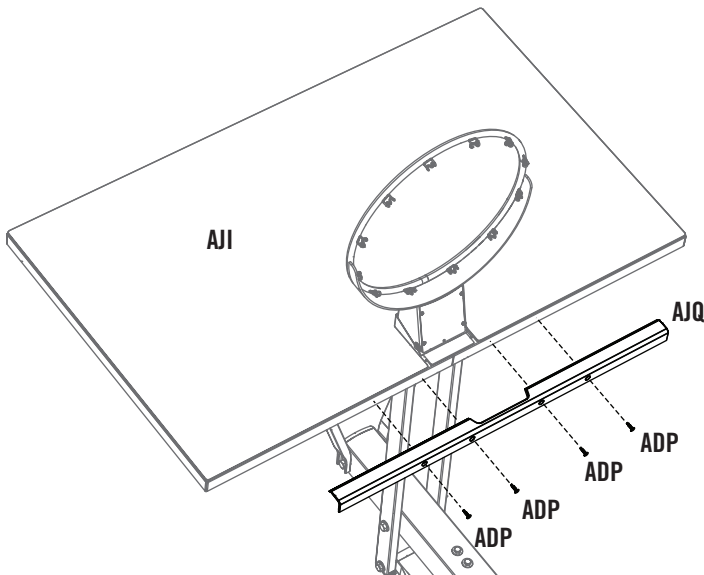
### 6.2

- Remove the plastic film from the **Backboard (AJI)**.



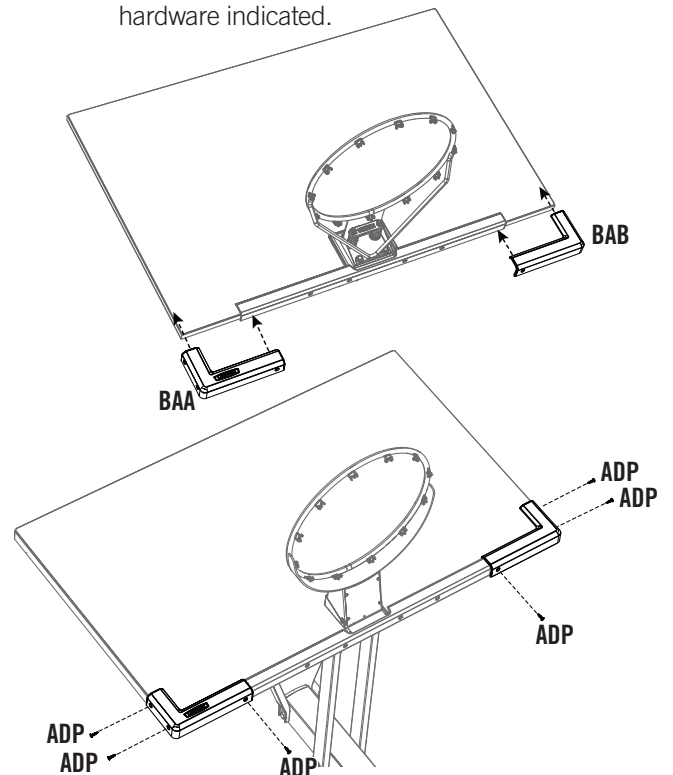
### 6.3

- Attach the **Center Frame Pad (AJQ)** to the Backboard in the location shown with the hardware indicated. Make sure that the Center Frame Pad is oriented and centered on the metal piece of the Backboard.



### 6.4

- Attach the **Corner Frame Pads (BAA and BAB)** to the Backboard in the locations indicated with the hardware indicated.



- The **Corner Frame Pads (BAA and BAB)** will overlap the **Center Frame Pad (AJQ)**.

## ► SECTION 6 (CONTINUED)

TOOLS AND HARDWARE REQUIRED



(3)



(1)



(1)



### 6.5

- **BEFORE CONTINUING:** It is critical that the instructions in the following steps are followed exactly. Failure to properly orient and align the pole sections will render the pole unusable. If the pole sections are assembled incorrectly, you will have to purchase new pole sections from our Customer Service Department. If you have questions regarding the pole assembly, please call our Customer Service Department for assistance.



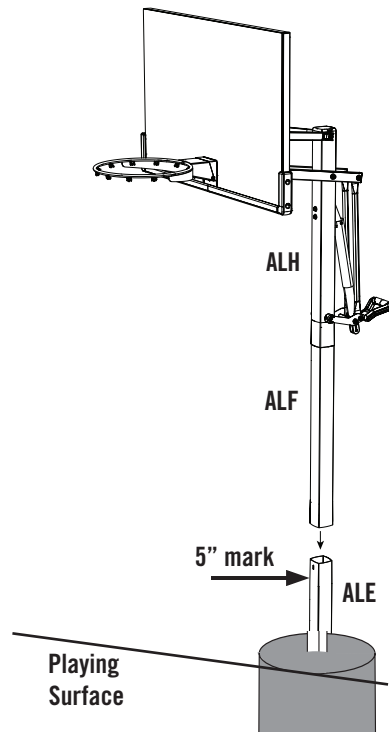
### 6.6



**AT LEAST THREE ADULTS ARE REQUIRED. DO NOT ATTEMPT ASSEMBLY WITH FEWER THAN THREE ADULTS AND THREE LADDERS.**



- Make a mark 5 inches from the top of the **Bottom Pole (ALE)**. With the Backboard facing the playing surface, carefully slide the Top/Middle Pole assembly over the Bottom Pole. Adjust the system to the 7.5-foot setting.



### WARNING

Use extreme caution when standing on ladders to perform assembly steps. Follow all warnings and cautions on the ladder. Failure to follow all of these instructions and warnings could lead to serious personal injury or property damage.



## ► SECTION 6 (CONTINUED)

TOOLS AND HARDWARE REQUIRED



(1)

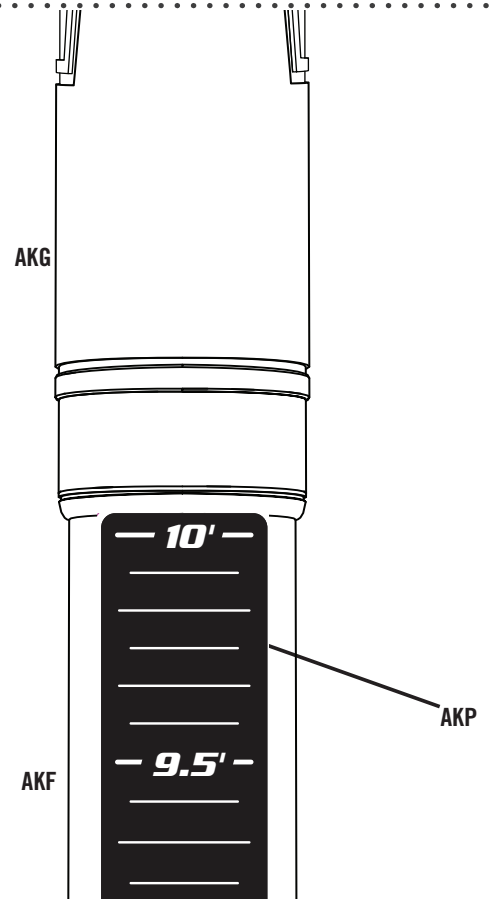


### 6.9

- Raise the Backboard until the top of the Rim measures 10 feet from the playing surface. Apply the **Height Adjustment Sticker (AKP)** onto the **Gas Spring (GFL)**, lining up the edge of the **Gas Spring Cover** with the 10-foot mark on the sticker. Press the sticker into place while carefully removing the rest of the backing.



- *Actual Height Sticker (AKP) and Gas Spring Cover (AKG) may vary from those shown here.*





## MAINTENANCE

The life of your basketball system depends on many variables. The climate, exposure to corrosives such as salt, pesticides, or herbicides, and excessive use or misuse can all contribute to Pole failure, which may cause property damage or personal injury.

Check your basketball system frequently for loose hardware, excessive wear, and signs of corrosion. For safety reasons, and to prolong the life of your basketball system, you must take the following preventive measures.

- a. Check all Nuts and Bolts. If any are loose, tighten them.
- b. Check all parts for excessive wear and tear. If necessary, replace any parts that have been worn or damaged through usage. Contact our Customer Service Department for replacement parts.
- c. Inspect the Warning Sticker on the Pole. If it is ripped, faded, or illegible, call our Customer Service Department to request a replacement Sticker.
- d. Check all Pole sections for visible rust or chipped or cracked paint. If either are present, do the following:
  - 1. Use an emery cloth to completely remove any rust or chipped paint.
  - 2. Clean the area with a damp cloth and allow it to dry.
  - 3. Apply two coats of a rust preventative, high gloss enamel paint to the area. Allow the paint to dry between coats.

**IF RUST HAS PENETRATED THROUGH THE POLE ANYWHERE, REPLACE IT IMMEDIATELY!**

---





# WARNING STICKER / AUTOCOLLANT D'AVERTISSEMENT / AUTOADHESIVO DE ADVERTENCIA

## WARNING

### FAILURE TO FOLLOW THESE WARNINGS MAY RESULT IN SERIOUS INJURY AND/OR PROPERTY DAMAGE.

Owners must ensure that all players know and follow these rules for safe operation of the system.

- Only hang from the Rim briefly to regain balance or avoid injuring others. Release the Rim as soon as safely possible.
- During play, especially when performing dunk type activities, keep player's face away from the Backboard, Rim, and Net. Serious injury could occur if teeth/face come in contact with the Backboard, Rim, or Net. Player should wear a mouth guard during play.
- Do not slide, climb, or play on Base or Pole.
- When adjusting height or moving system, keep hands and fingers away from moving parts.
- Do not allow children to move or adjust system.
- Do not wear jewelry (rings, watches, necklaces, etc.) during play. Objects may entangle in Net.
- Keep water and organic material away from Pole Base. Grass, litter, etc. could cause corrosion and/or deterioration.
- Never play on damaged equipment.
- Once a month check Pole and all metal parts for signs of corrosion (rust, pitting, chipping). Completely remove rust and repaint with exterior enamel. If rust has penetrated any steel part, replace that part immediately.



- Check system before each use for proper ballast, loose hardware, excessive wear, instability, and signs of corrosion and repair before use.
- Do not use the system to lift or hoist anything. The mechanism is designed to lift only the weight of the Backboard and Rim. Do not hang anything from the Handle, Rim, Backboard, or Lifter Arms as this will damage the system and void the warranty.

## AVERTISSEMENT

### FAUTE DE NE PAS SUIVRE CES AVERTISSEMENTS, VOUS RISQUEZ DE CAUSER DES BLESSURES GRAVES ET/OU DES DOMMAGES À L'ÉQUIPEMENT.

Le propriétaire doit s'assurer que tous les joueurs connaissent et appliquent les règles suivantes afin d'utiliser l'équipement en toute sécurité.

- Ne vous suspendez pas à l'anneau plus que nécessaire pour retrouver votre équilibre ou éviter de blesser les autres joueurs. Relâchez l'anneau aussitôt que possible.
- Lors d'un match, particulièrement dans le cas des smashes, le visage du joueur ne doit pas faire face au panneau, à l'anneau, ni au filet. Le joueur risque de graves blessures si ses dents ou son visage entrent en contact avec le panneau, l'anneau, ou le filet. Les joueurs doivent toujours porter un protège-dents lorsqu'ils jouent.
- Ne glissez pas, ne grimpez pas, et ne jouez pas sur la base ou le poteau.
- Lorsque vous ajustez la hauteur ou lorsque vous déplacez l'équipement, gardez vos mains et doigts loin des pièces mobiles.
- Ne permettez pas aux enfants de déplacer ou d'ajuster l'équipement.
- Ne portez pas de bijoux (bagues, montres, colliers, etc.) lorsque vous jouez. Ces objets pourraient s'accrocher au filet.
- Gardez de l'eau et de la matière organique loin de la base. Le gazon, les déchets, etc. pourraient provoquer la corrosion et/ou la détérioration.
- Une fois par mois, vérifiez que le Poteau et toutes les pièces en métal ne montrent pas de signes de corrosion (rouille, piqûres, écaillage). Enlevez toute la rouille et repeignez complètement avec une peinture pour extérieur. Si la rouille a pénétré une des pièces en acier, vous devez remplacer immédiatement la pièce en question.
- A chaque fois que vous allez utiliser l'équipement, vérifiez d'abord l'équilibre, la possibilité de pièces desserrées ou usées, la stabilité de l'équipement et tout signe de corrosion ou réparation nécessaire avant utilisation.
- Ne jouez jamais avec un équipement endommagé.
- N'utilisez pas l'équipement pour lever ou soulever quoique ce soit. Son mécanisme a été conçu uniquement pour soutenir le poids du panneau et de l'anneau. N'accrochez rien au manche, à l'anneau, au panneau ni aux leviers sous peine d'endommager l'équipement et d'annuler la garantie.

## ADVERTENCIA

### SI NO SE OBEDECEN ESTAS ADVERTENCIAS PUEDEN PRODUCIRSE GRAVES LESIONES Y/O DAÑOS A LA PROPIEDAD.

El propietario del sistema debe asegurarse de que todos los jugadores conozcan y respeten estas reglas para que el sistema se use en forma segura.

- Cuélguese del aro sólo en forma breve, para recuperar el equilibrio o evitar lesionar a otros jugadores. Suéltese del aro lo más pronto que pueda hacerlo con seguridad.
- Durante el juego, especialmente al embocar violentamente de alto, la cara de los jugadores debe mantenerse alejada del tablero, el aro y la red. Pueden producirse lesiones graves si los dientes o la cara entran en contacto con el tablero, el aro o la red. Los jugadores deben usar un protector bucal durante el juego.
- No se deslice, no trepe ni juegue sobre la base o el poste.
- Mantenga las manos y los dedos alejados de las piezas móviles cuando regule la altura o desplace el sistema.
- No deje que los niños regulen ni desplacen el sistema.
- No use joyas (anillos, relojes, collares o gargantillas, etc.) durante el juego. Estos objetos pueden engancharse en la red.
- Guarde agua y materia orgánica. Césped, basura, etc., podrían causar corrosión et/o deterioros.
- Controle el poste y todas las piezas metálicas una vez al mes en busca de signos visibles de corrosión (oxidación, picaduras, escamado). Elimine todo rastro de óxido y vuelva a pintar con esmalte para exteriores. Si el óxido ha penetrado cualquier pieza de acero, reemplace esa pieza de inmediato.
- Inspeccione el sistema antes de cada uso para verificar que esté adecuadamente contrapesado, que los elementos de fijación no estén flojos, que no haya desgaste excesivo, inestabilidad ni signos de corrosión. Si encuentra irregularidades, repárelas antes de usar el sistema.
- Nunca juegue con un equipo dañado.
- No use el sistema para levantar ningún objeto. El mecanismo está diseñado para elevar solamente el peso del tablero con el aro. No cuelgue nada de la agarradera, el aro, el tablero ni los brazos de elevación, ya que esto puede dañar el sistema y anular la garantía.



## REGISTER YOUR PRODUCT ONLINE AT [WWW.LIFETIME.COM](http://WWW.LIFETIME.COM)

At Lifetime®, we are committed to providing innovative and quality products. While registering, you will have the opportunity to give us your feedback. Your input is valuable to us.

- You can also opt in to receive new product notifications or promotions.
- In the unlikely event of a product recall or safety modification, your registration provides the information we need to notify you directly.
- Registration is fast, easy, and completely voluntary.

### **LIFETIME'S PROMISE TO YOU:**

*Maintaining your privacy is our long-standing policy at Lifetime®. And you can rest assured that Lifetime® will not sell or provide your personal data to other third parties, or allow them to use your personal data for their own purposes.*

We invite you to read our privacy policy at [www.lifetime.com](http://www.lifetime.com)

**REGISTER today!**



## 5-YEAR LIMITED FACTORY WARRANTY

### THE MANUFACTURER RESERVES THE RIGHT TO MAKE SUBSTITUTIONS TO WARRANTY CLAIMS IF PARTS ARE UNAVAILABLE OR OBSOLETE.

1. Lifetime basketball systems are warranted to the original purchaser to be free from defects in material or workmanship for a period of five years from the date of original retail purchase. The word “defects” is defined as imperfections that impair the use of the product. Defects resulting from misuse, abuse or negligence will void this warranty. This warranty does not cover defects due to improper installation, alteration or accident. This warranty does not cover damage caused by vandalism, rusting, “acts of nature” or any other event beyond the control of the manufacturer.
2. This warranty is nontransferable and is expressly limited to the repair or replacement of defective product. If the product is defective within the terms of this warranty, Lifetime Products, Inc. will repair or replace defective parts at no cost to the purchaser. Shipping charges to and from the factory or distribution center are not covered and are the responsibility of the purchaser. Labor charges and related expenses for removal, installation or replacement of the basketball system or its components are not covered under this warranty.
3. This warranty does not cover scratching or scuffing of the product that may result from normal usage. In addition, defects resulting from intentional damage, negligence, unreasonable use or hanging from the rim will void this warranty.
4. Liability for incidental or consequential damages is excluded to the extent permitted by law. While every attempt is made to embody the highest degree of safety in all equipment, freedom from injury cannot be guaranteed. The user assumes all risk of injury resulting from the use of this product. All merchandise is sold on this condition, and no representative of the company may waive or change this policy.
5. This product is not intended for institutional or commercial use; Lifetime Products, Inc. does not assume any liability for such use. Institutional or commercial use will void the warranty.
6. Our goods come with guarantees that cannot be excluded under the Australian Consumer Law. You are entitled to a replacement or refund for a major failure and for compensation for any other reasonably foreseeable loss or damage. You are also entitled to have the goods repaired or replaced if the goods fail to be of acceptable quality and the failure does not amount to a major failure.
7. This warranty is expressly in lieu of all other warranties, expressed or implied, including warranties of merchantability or fitness for use to extent permitted by Federal and state law. Neither Lifetime Products, Inc., nor any representative assumes any other liability in connection with this product. This warranty gives you specific legal rights, and you may also have other rights which vary from state to state.

### PLEASE INCLUDE YOUR DATED SALES RECEIPT AND PHOTOGRAPHS OF DAMAGED PARTS.

REPORT PRODUCT DEFECTS IN WRITING TO:

Lifetime Products, Inc., PO Box 160010 Clearfield, UT 84016-0010  
or call 1-800-225-3865 M-F 7 a.m. to 5 p.m. MST.

### REGISTER YOUR PRODUCT FOR QUICKER CUSTOMER SERVICE.

Visit [www.lifetime.com](http://www.lifetime.com) or call 1-800-225-3865 to register your product today.

### FOR INTERNATIONAL WARRANTY CLAIMS:

All warranty claims must be accompanied by a sales receipt. Report all warranty claims in writing to your regional sales support representative. Please include your dated sales receipt and photographs of damaged parts.

To identify the representative for your region, please visit: [www.lifetime.com/international](http://www.lifetime.com/international)



[www.lifetime.com](http://www.lifetime.com)

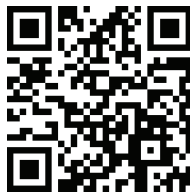
**ENHANCE YOUR LIFETIME® PURCHASE BY ADDING ACCESSORIES OR OTHER GREAT PRODUCTS**

*To purchase accessories or other Lifetime® products, visit us at:*

***www.lifetime.com***

*Or call: 1-800-424-3865*

*7:00 am–5:00 pm (M–F) MST and 9:00 am–1:00 pm Saturday MST*



[www.lifetime.com](http://www.lifetime.com)

