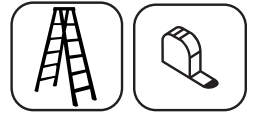
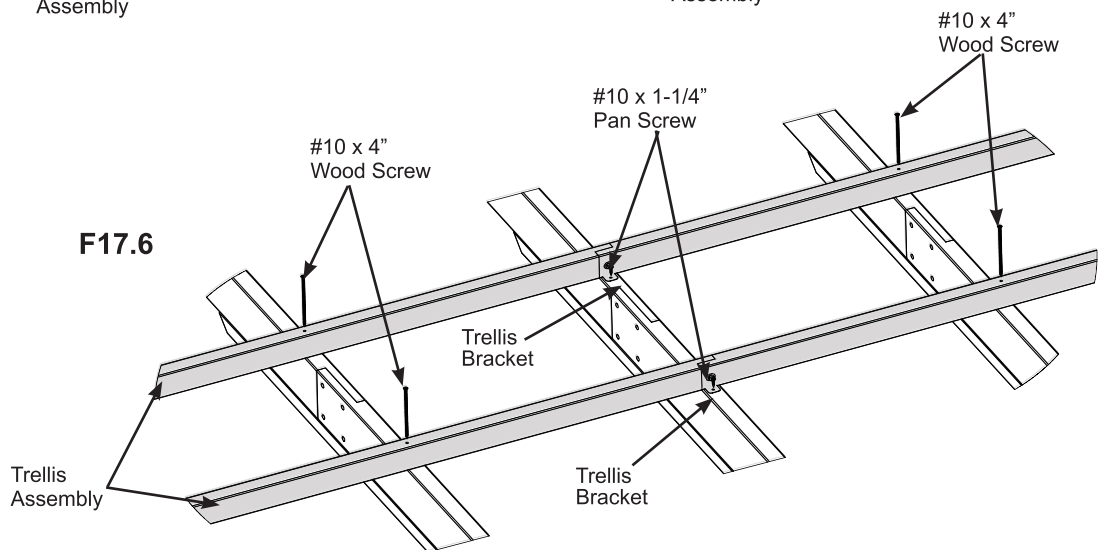
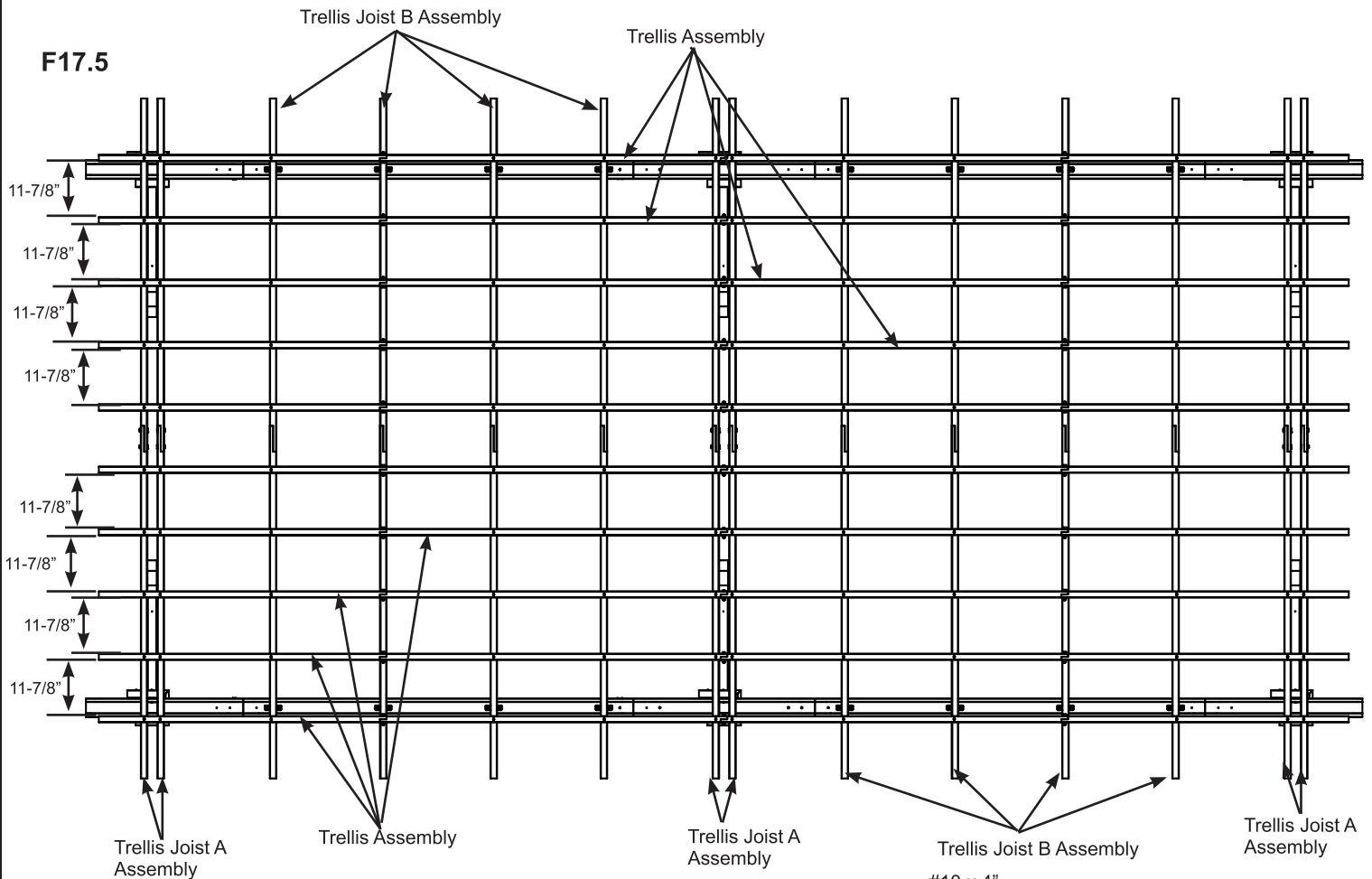


Step 17: Attach Trellis Assemblies Part 3



D: Moving outwards from the first two Trellis Assemblies place remaining 16 assemblies along Trellis Joist Assemblies as done in Steps A and C. Distance between each Trellis Assembly should be 11-7/8". (F17.5 and F17.6)



Hardware

16 x #10 x 1-1/4" Pan Screw

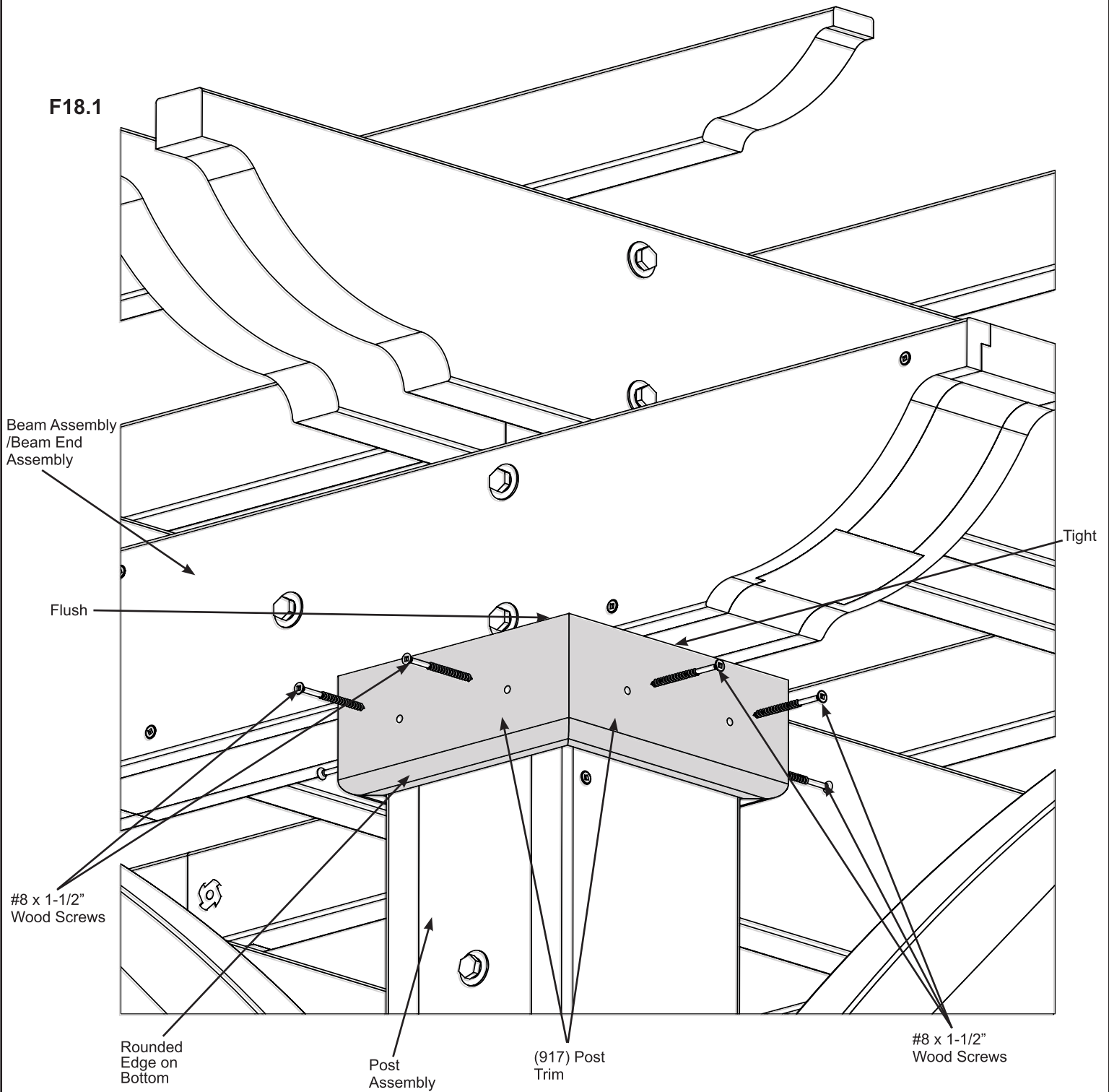
96 x #10 x 4" Wood Screw

8 x 1/4 x 1-3/4" Hex Bolt
(5/16" flat washer x 2, 1/4" lock nut)

Step 18: Attach Post Trims

A: Flush to the top of each Post Assembly and tight to the bottom of the Beam and Beam End Assemblies attach four (917) Post Trims to each Post Assembly with two #8 x 1-1/2" Wood Screws per (917) Post Trim. Make sure the rounded edges face down and bolt heads are covered with the countersunk hole in (917) Post Trim. (F18.1).

F18.1



Wood Parts

24 x (917) Post Trim

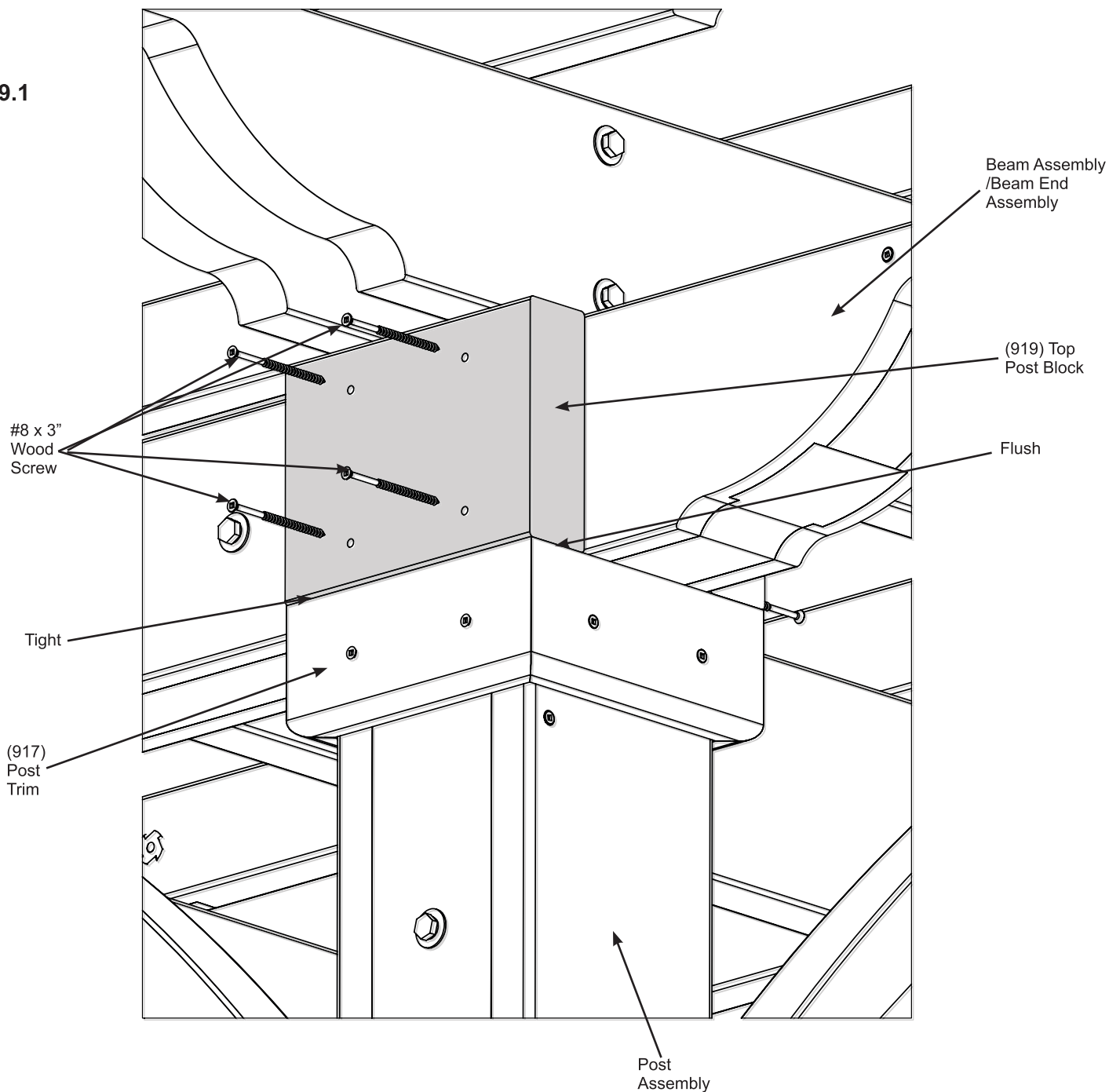
Hardware

48 x #8 x 1-1/2" Wood Screw

Step 19: Attach Top Post Blocks

A: Tight to the top and flush to the sides of outside and inside (917) Post Trims attach two (919) Top Post Blocks to each Beam and Beam End Assemblies with four #8 x 3" Wood Screws per (919) Top Post Block. Make sure bolt heads are covered with the countersunk holes in (919) Top Post Block. Bolts in Trellis Joist A Assemblies may need to be loosened to get (919) Top Post Blocks to fit. Be sure to re-tighten bolts when done. (F19.1)

F19.1



Wood Parts

12 x (919) Top Post Block

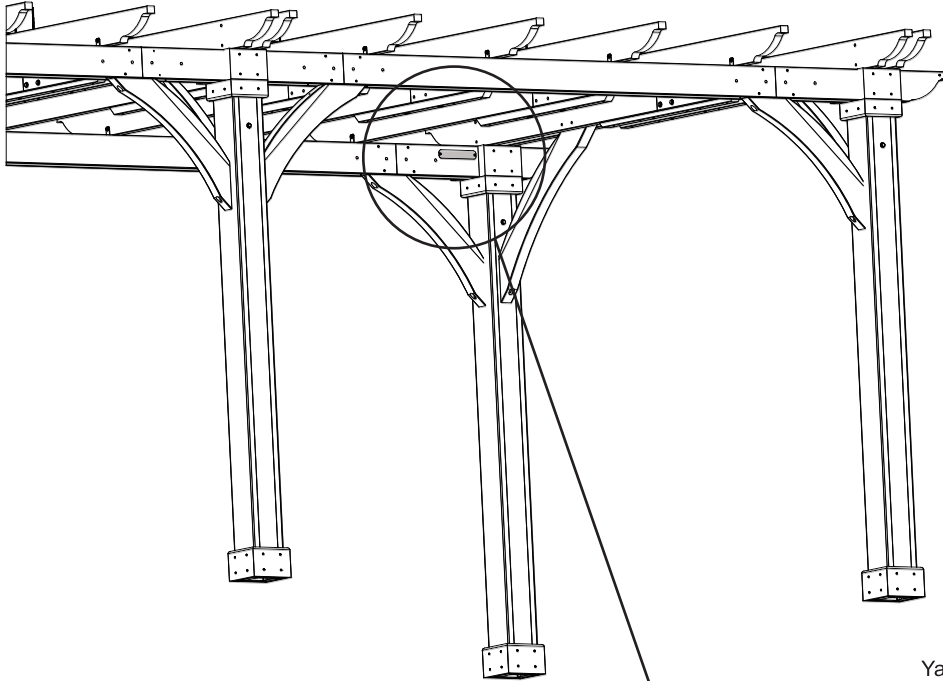
Hardware

48 x #8 x 3" Wood Screw

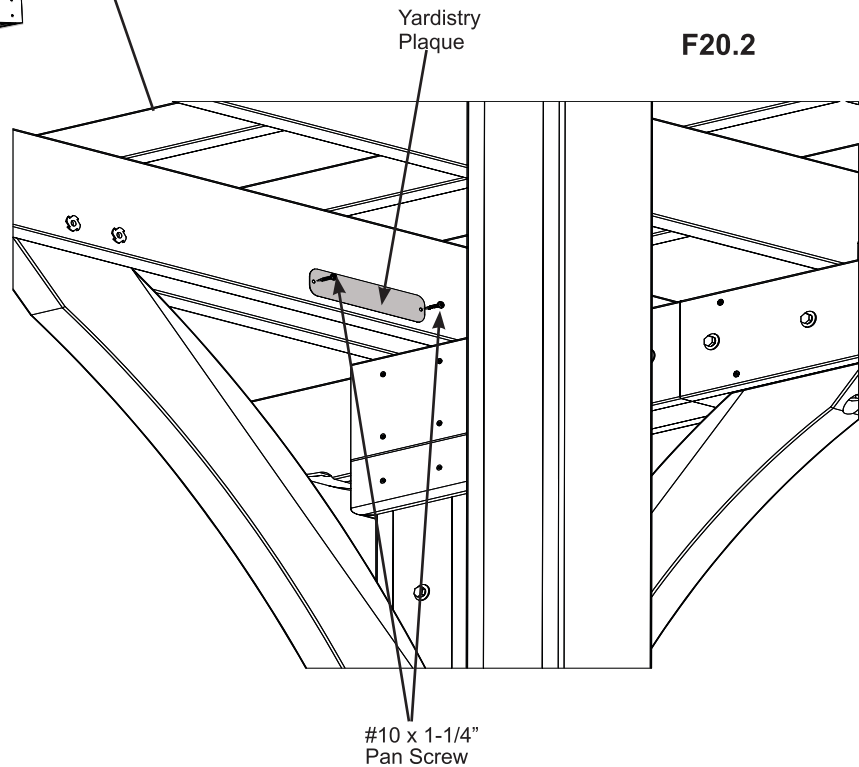
Step 20: Attach Plaque

A: Attach Yardistry Plaque to a prominent location on your Pergola with two #10 x 1-1/4" Pan Screws. This provides warnings concerning safety and important contact information. A tracking number is provided to allow you to get critical information or order replacement parts for this specific model. (F20.1 and F20.2)

F20.1



F20.2



Components:

1 x Yardistry Plaque

Hardware

2 x #10 x 1-1/4" Pan Screw



Customer Registration Card - Tarjeta de Registro del Cliente - Carte d'inscription du client

First Name - Primer Nombre - Prénom	Initial - Inicial - Initiale	Last Name - Apellido - Nom de famille

Street - Calle - Rue	PO Box - Casilla postal - Boîte postale	Apt. No. - App.

City - Ciudad - Ville	State/Province - Estado/Provincia - État/Province

ZIP/Postal Code - Código Postal - ZIP/Code postal	Country - País - Pays

E-mail Address - Dirección de E-mail - Adresse courriel	Telephone Number - No. de Teléfono - N° de téléphone

Model Name - Nombre del Modelo - Nom du modèle	Model Number (from front cover) - Número de Modelo (de la portada) - N° du modèle (page de couverture)

Date of Purchase - Fecha de Compra - Date d'achat (mm/dd/yyyy) (mm/dd/aaaa) (mm/jj/aaaa)	Place of Purchase - Comprado a - Lieu d'achat

Comments - Comentarios - Commentaires:

Mail To - Enviar por Correo a - Envoyer par courrier à:

Yardistry
375 Sligo Road West, PO Box 10
Mount Forest, Ontario, Canada, N0G 2L0
Attention: Consumer Relations
Atención a: Servicio de Atención al Cliente
À l'attention de: Service à la clientèle

Online Registration - Registro online - Enregistrement en ligne:

<http://yardistrystructures.com/warranty.php>

Yardistry would like to say "Thank you" for your time and feedback.
Yardistry quiere "Agradecerle" por su tiempo y su opinión.
Yardistry aimerait vous remercier d'avoir pris le temps de répondre au sondage.