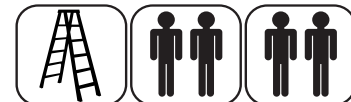
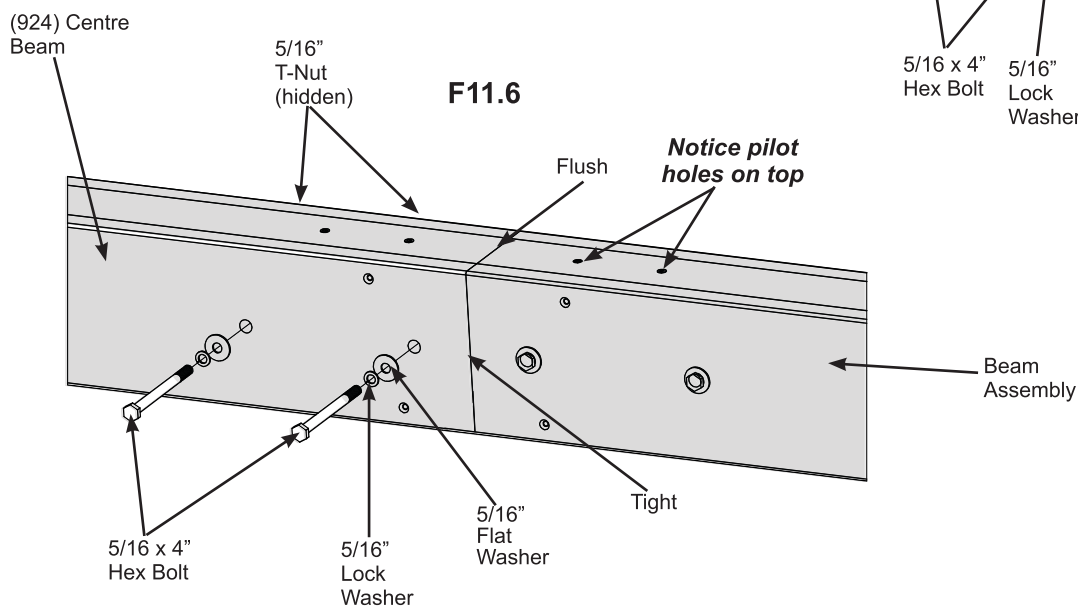
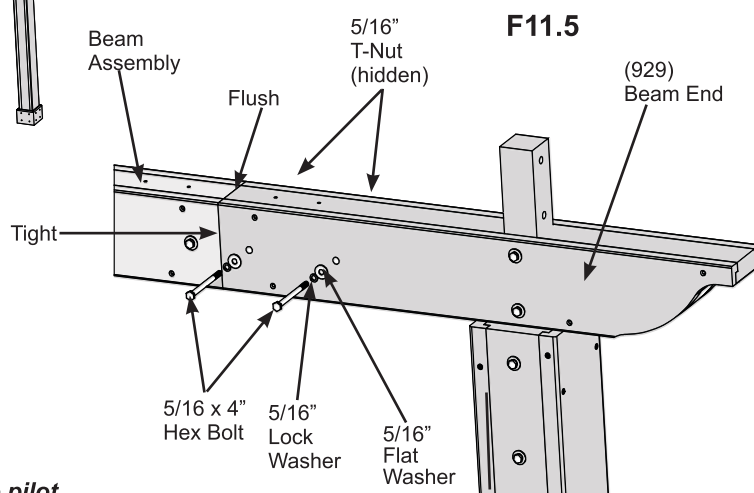
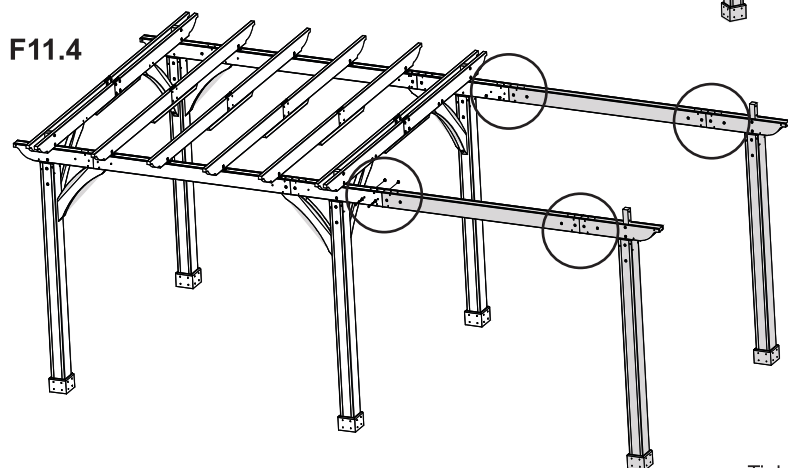
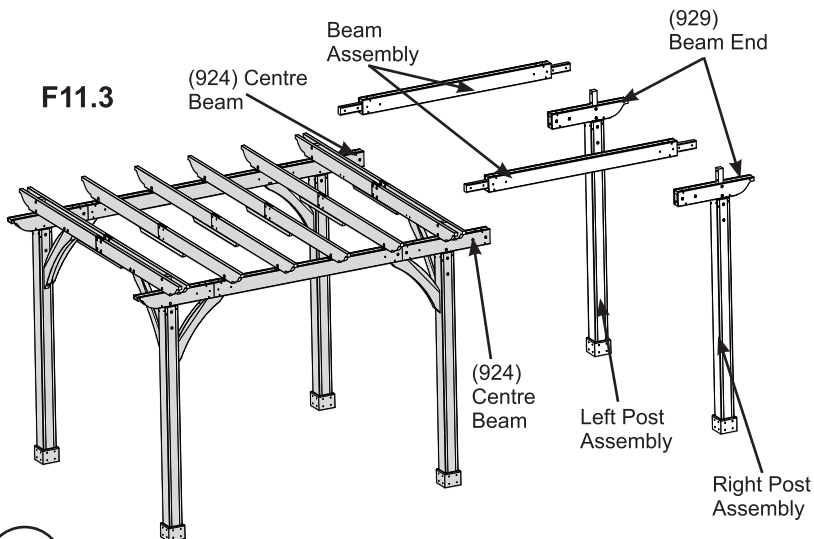


Step 11: Frame Assembly, Part 2



C: Stand Left and Right Post assemblies then insert Beam Assemblies from Step 10 into (924) Centre Beams and (929) Beam Ends. Loosely attach (924) Centre Beams and (929) Beam Ends to (912) Connector Blocks with two 5/16 x 4" Hex Bolts (with 5/16" lock washer, 5/16" flat washer and 5/16" t-nut) per connection. Make sure bolts are facing out and pilot holes in Beam Assembly are at the top. (F11.3, F11.4, F11.5 and F11.6)



Hardware

8 x 5/16 x 4" Hex Bolt
(5/16" lock washer, 5/16" flat washer, 5/16" t-nut)

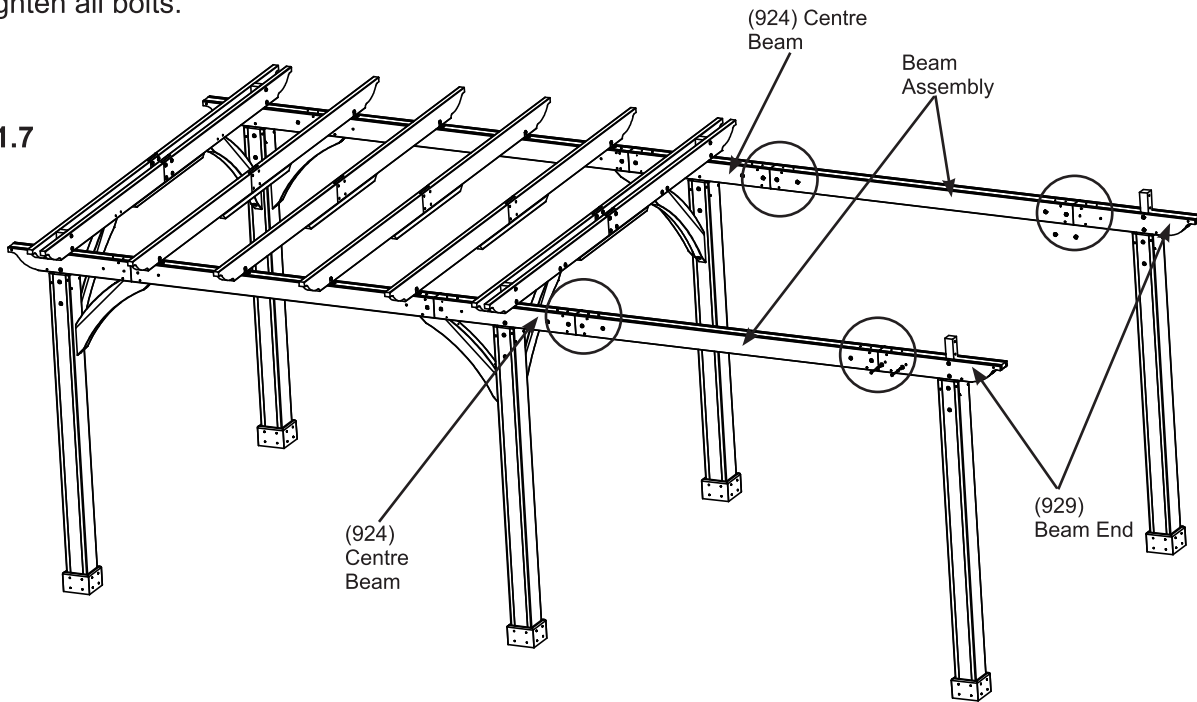
Step 11: Frame Assembly, Part 3



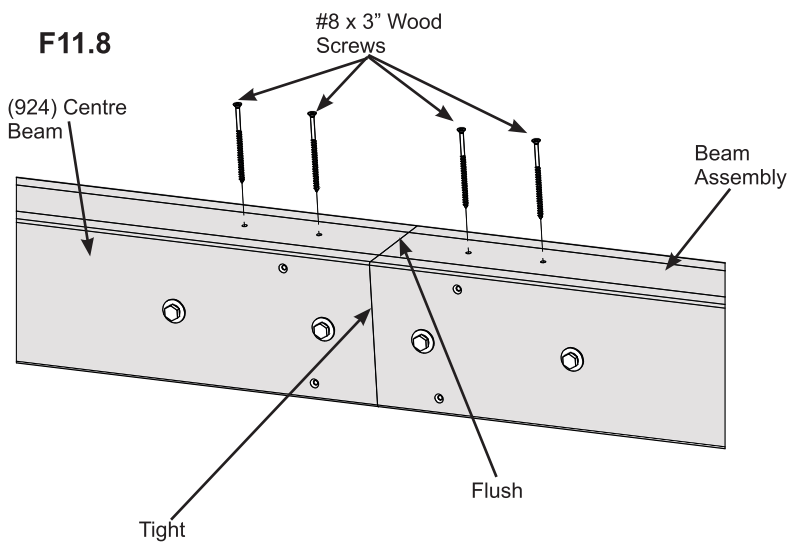
D: Make sure (929) Beam Ends, (926) Beam Middles and (924) Centre Beams are tight together and flush on the top for each Beam Assembly then attach (926) Beam Middle, (929) Beam End and (924) Centre Beam to (912) Connector Blocks with four #8 x 3" Wood Screws per connection, as shown in F11.7, F11.8 and F11.9.

E: Tighten all bolts.

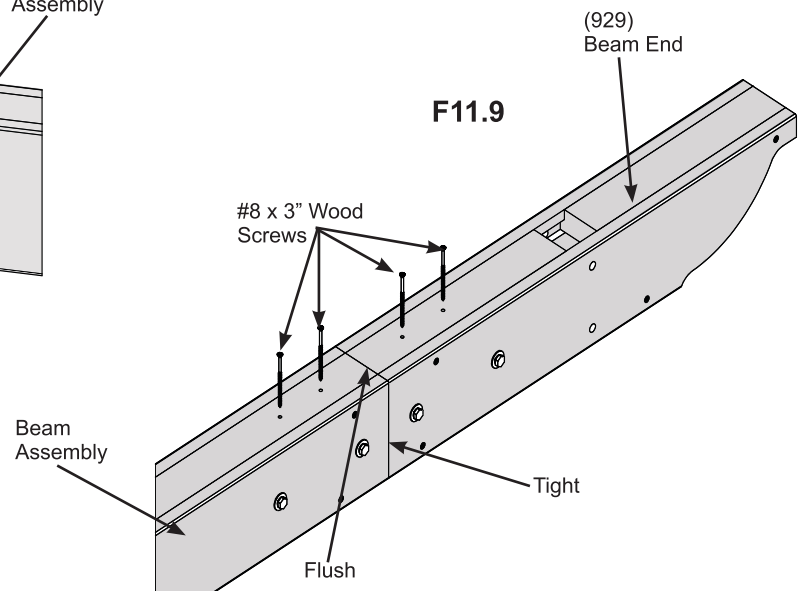
F11.7



F11.8



F11.9



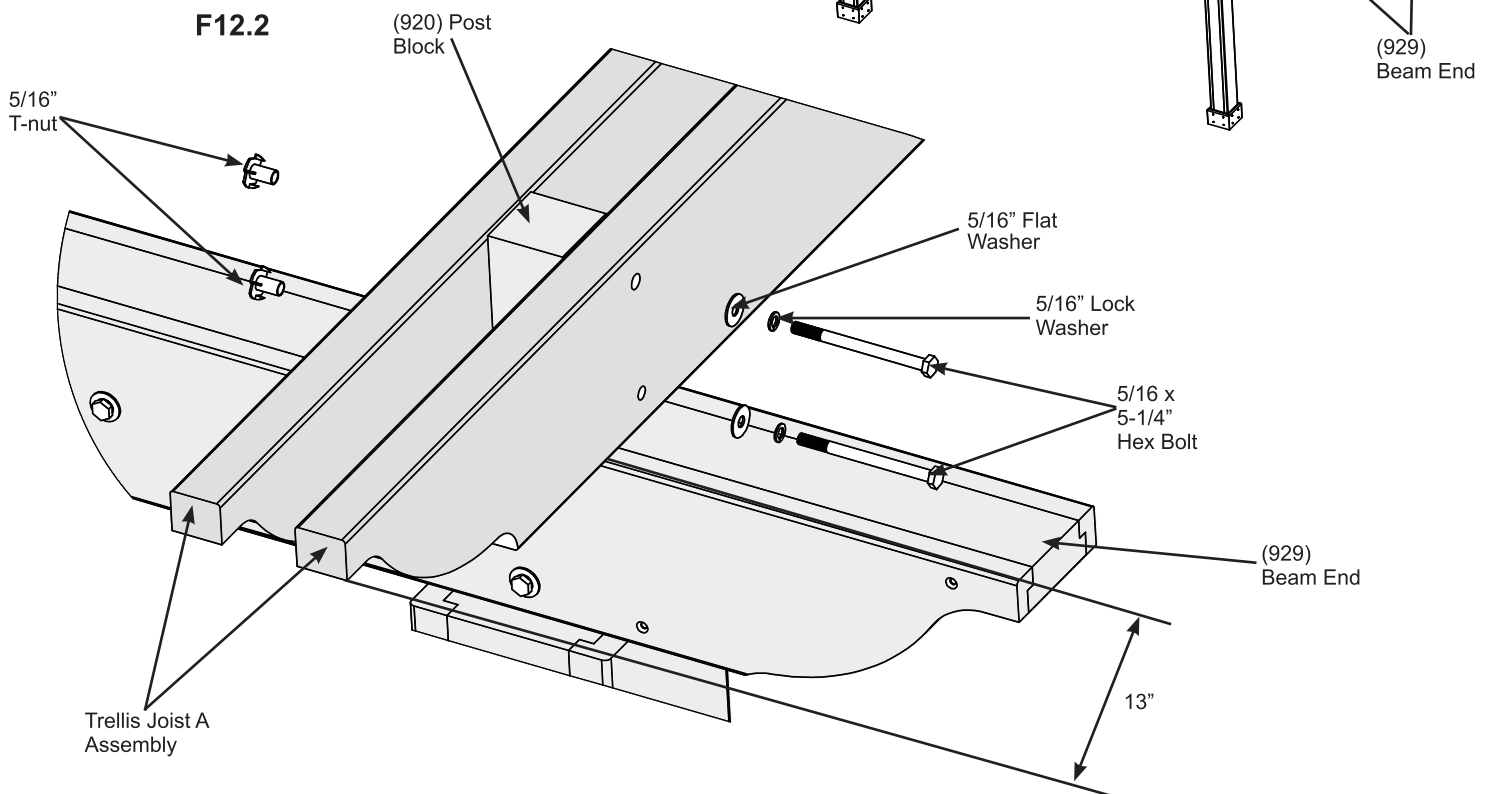
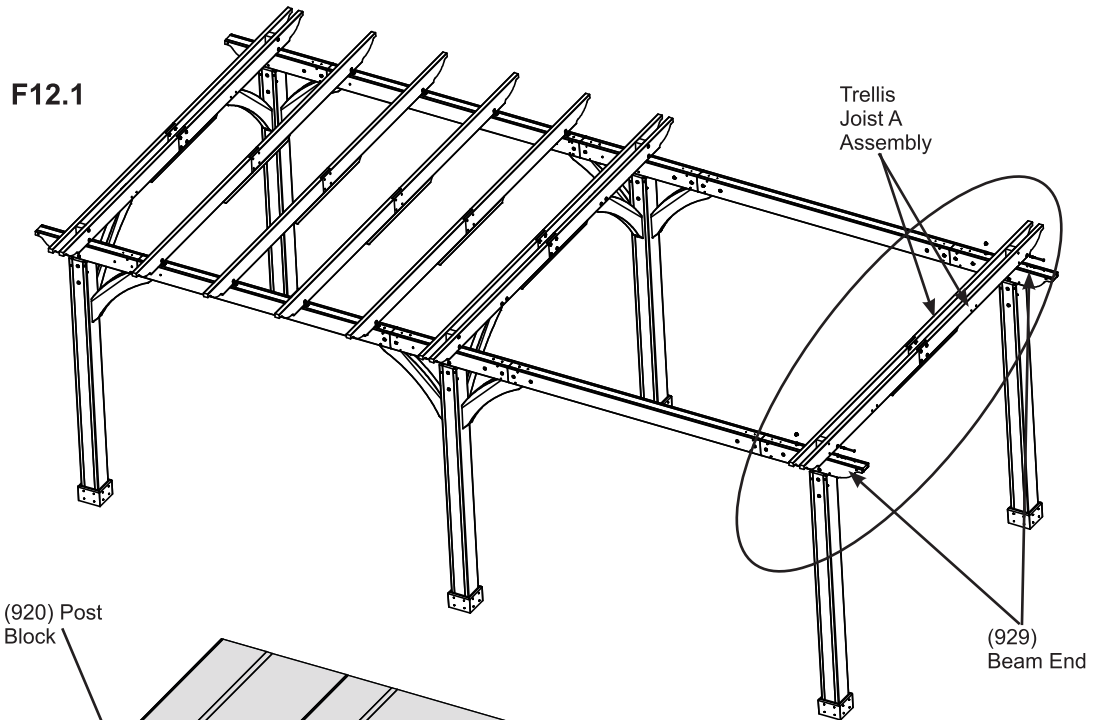
Hardware

16 x #8 x 3" Wood Screw

Step 12: Attach Trellis Joist A Assemblies



A: Place two Trellis Joist A Assemblies on (929) Beam Ends, tight to each side of (920) Post Blocks. Ends of each Trellis Joist A Assembly to overhang Beam Assemblies by 13". Attach trellis assemblies to (920) Post Block with two 5/16 x 5-1/4" Hex Bolts (with 5/16" lock washer, 5/16" flat washer and 5/16" t-nut) per (920) Post Block. Make sure bolt heads face out. (F12.1 and F12.2)



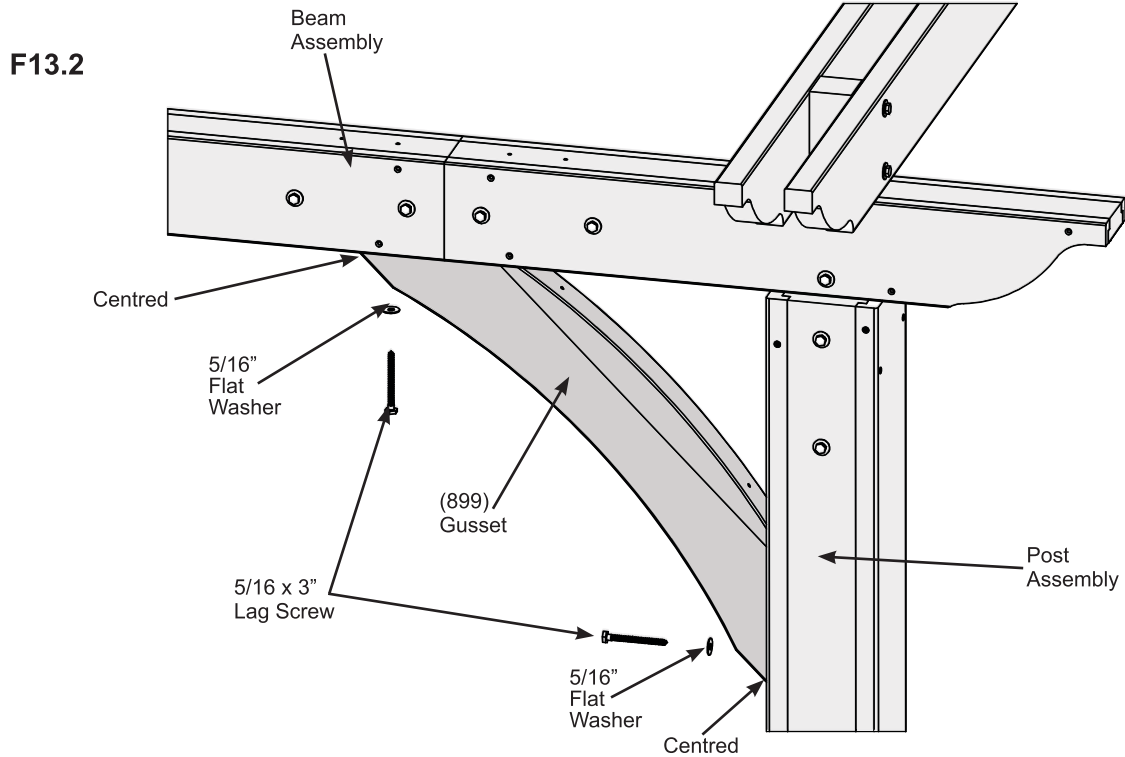
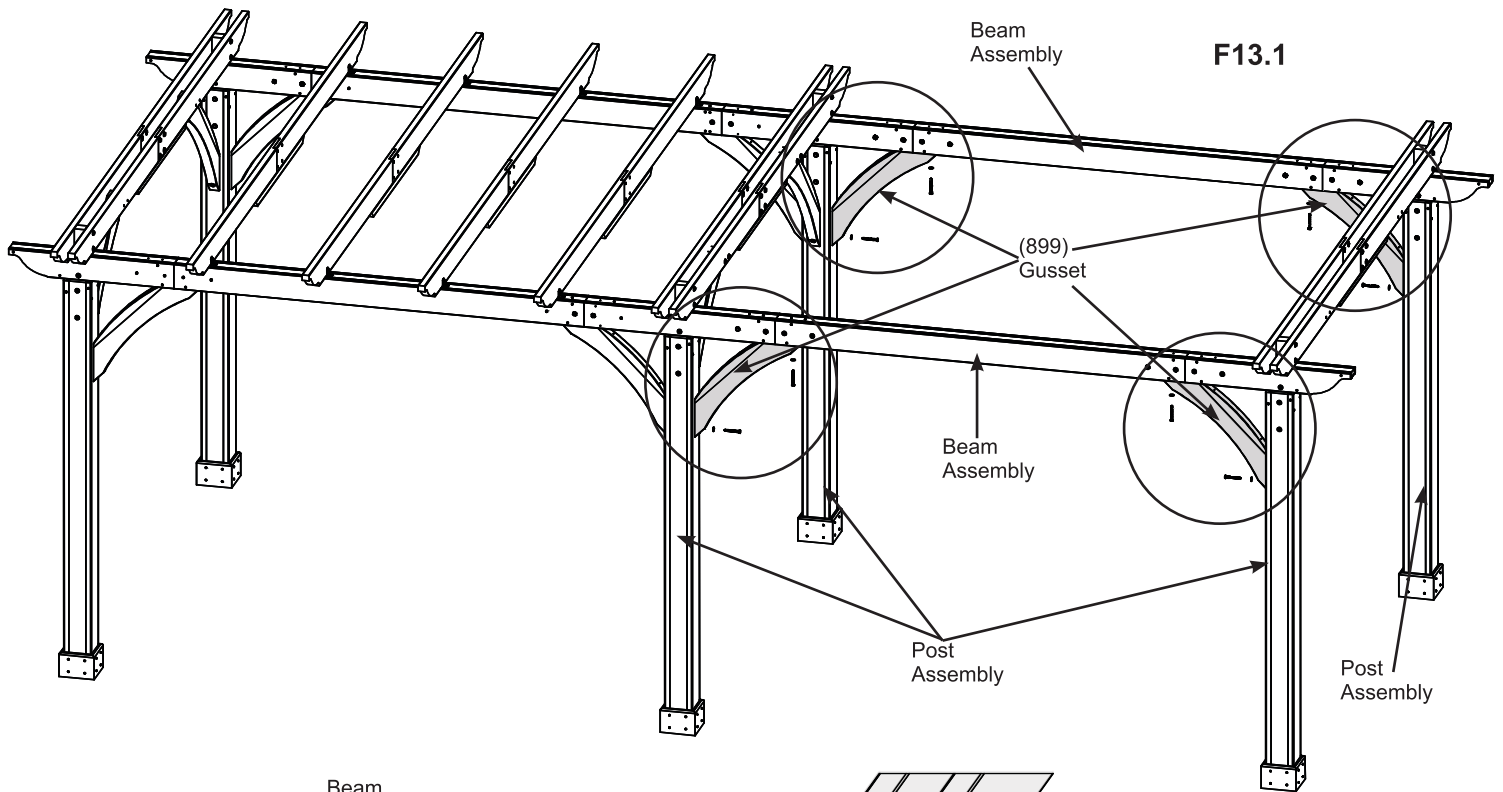
Hardware

4 x 5/16 x 5-1/4" Hex Bolt
(5/16" lock washer, 5/16" flat washer, 5/16" t-nut)

Step 13: Attach Gussets



A: Make sure assembly is square then place one (899) Gusset, centred on Post and Beam Assemblies, in each corner, pre-drill with a 1/8" drill bit and attach to post and beam with two 5/16 x 3" Lag Screws (with 5/16" flat washer) per gusset. (F13.1 and F13.2)



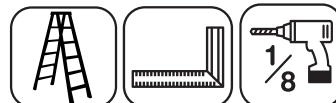
Wood Parts

4 x (899) Gusset

Hardware

8 x 5/16 x 3" Lag Screw (5/16" flat washer)

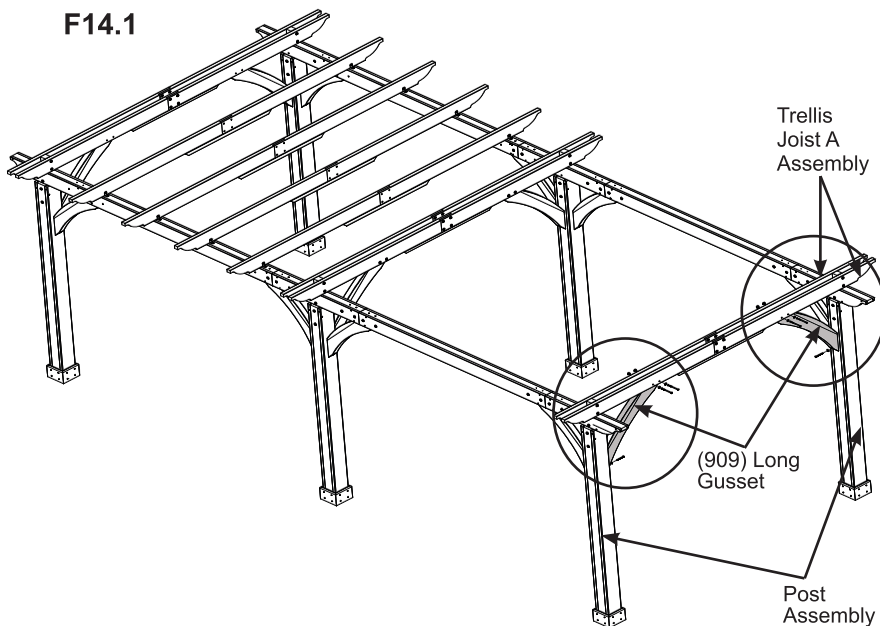
Step 14: Attach Long Gussets, Part 1



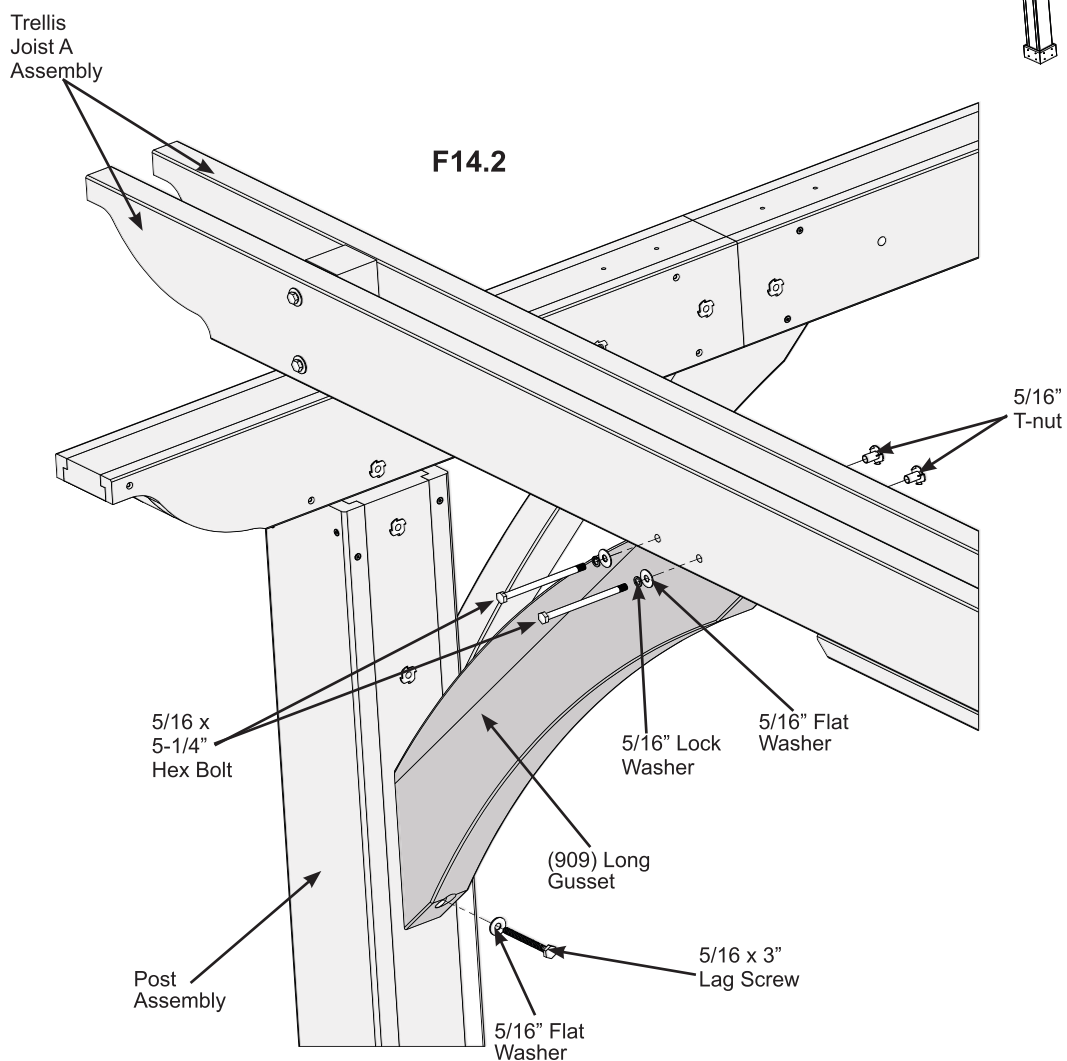
A: Make sure Post Assemblies are square to Trellis Joist A Assemblies then at the two remaining corners in F14.1 place one (909) Long Gusset tight to Post Assembly and in between two Trellis Joist A Assemblies. Loosely attach (909) Long Gussets to Trellis Joist A Assemblies with two 5/16 x 5-1/4" Hex Bolts (with 5/16" lock washer, 5/16" flat washer and 5/16" t-nut) per gusset. (F14.1 and F14.2)

B: Pre-drill with a 1/8" drill bit then attach (909) Long Gusset to Post Assemblies with one 5/16 x 3" Lag Screw (with 5/16" flat washer) per gusset. Tighten all bolts. (F14.2)

F14.1



F14.2



Wood Parts

2 x (909) Long Gusset

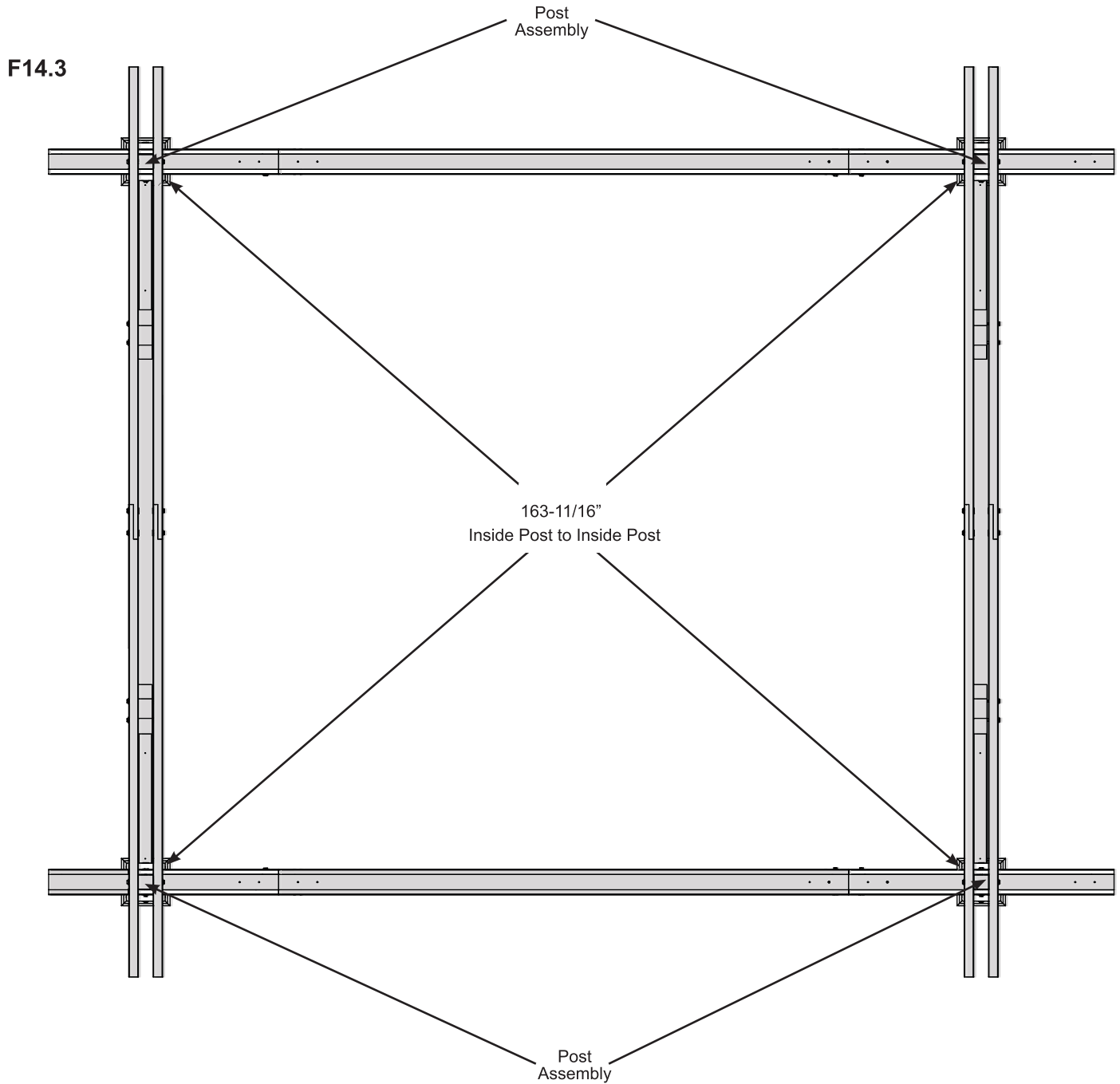
Hardware

2 x 5/16 x 3" Lag Screw (5/16" flat washer)
 4 x 5/16 x 5-1/4" Hex Bolt
 (5/16" lock washer, 5/16" flat washer, 5/16" t-nut)

Step 14: Attach Long Gussets, Part 2



C: The diagonal distance between the inside of two Post Assemblies should be $163\text{-}11/16''$ (measuring from post not plinth). (F14.3)

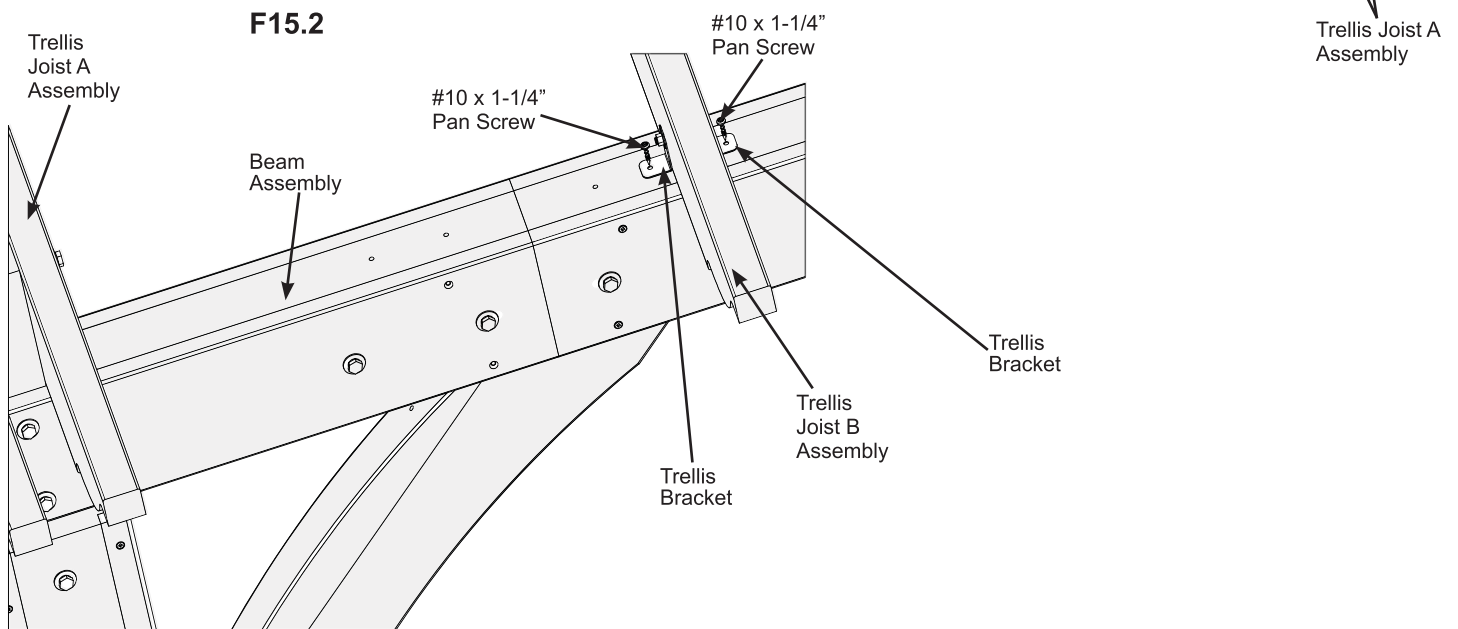
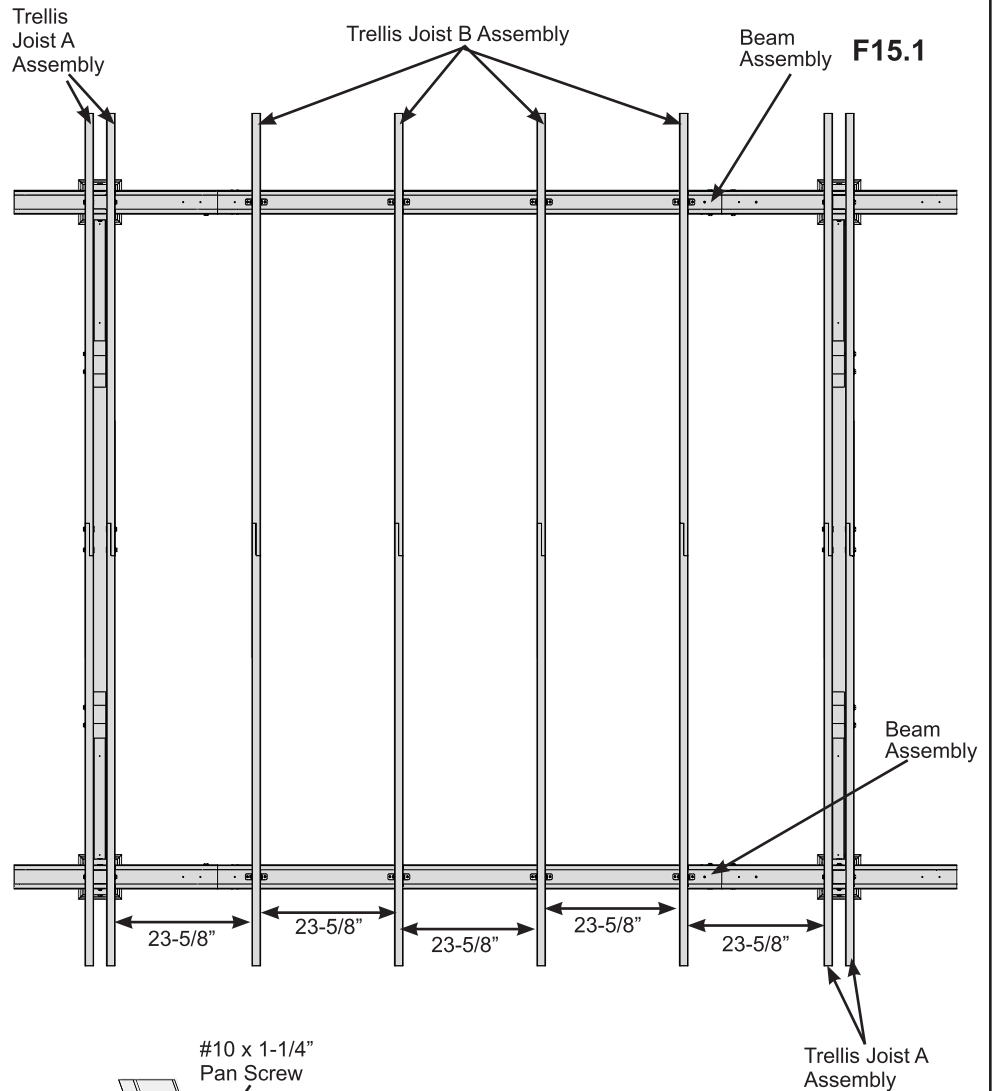


Step 15: Attach Trellis Joist B Assemblies



A: On each Beam Assembly measure 23-5/8" from inside of one inner Trellis Joist A Assembly then place one Trellis Joist B Assembly at marked location and attach through Trellis Brackets with two #10 x 1-1/4" Pan Screws per end. (F15.1 and F15.2)

B: Place remaining three Trellis Joist B Assemblies on each Beam Assembly. Distance between assemblies should be 23-5/8". Attach Trellis Joist B Assemblies to Beam Assemblies through Trellis Brackets with four #10 x 1-1/4" Pan Screws per assembly. (F15.1 and F15.2)



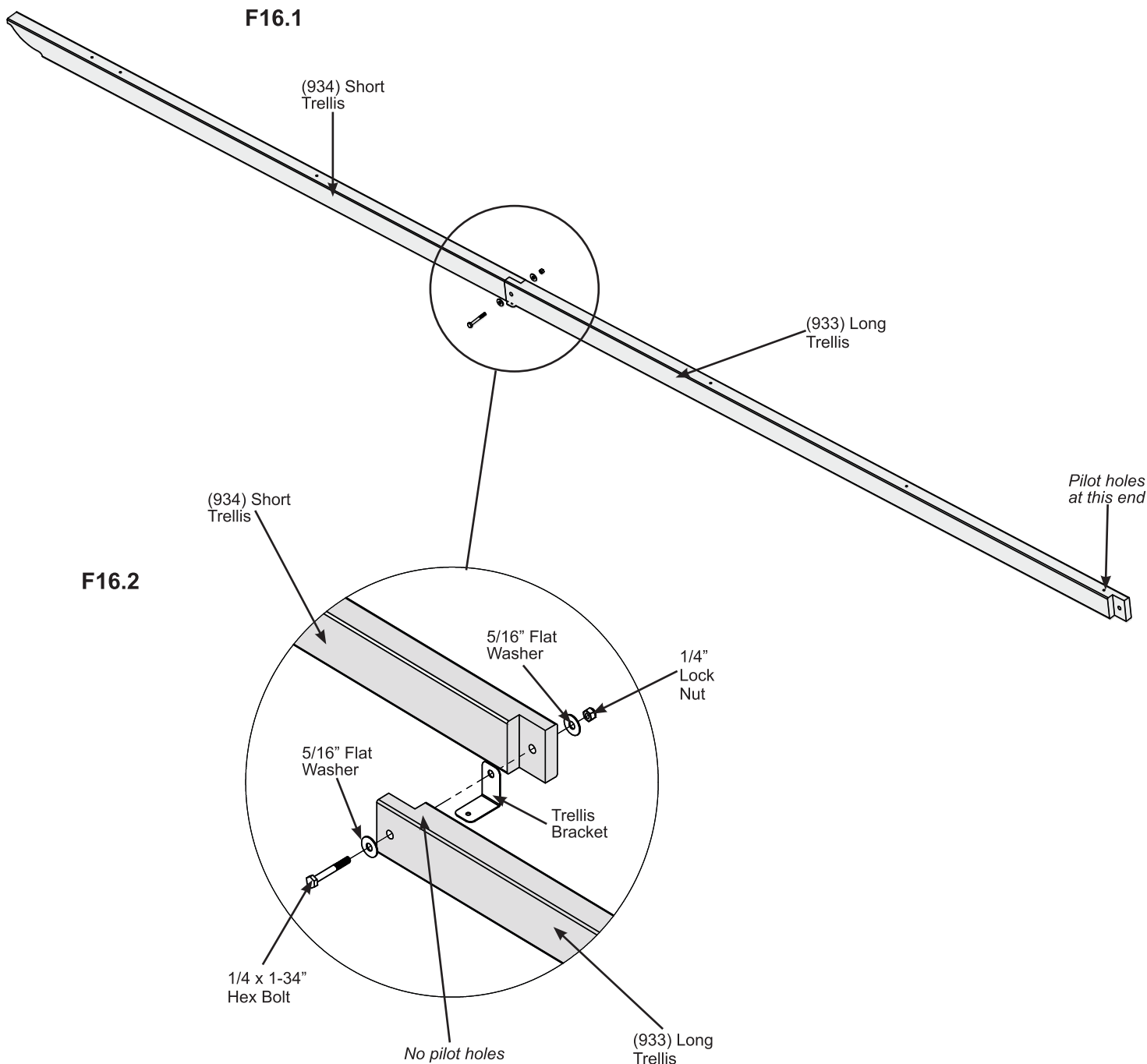
Hardware

16 x #10 x 1-1/4" Pan Screw

Step 16: Trellis Assembly

A: Connect the end of one (933) Long Trellis which does not have pilot holes to one (934) Short Trellis using one Trellis Bracket with one 1/4 x 1-3/4" Hex Bolt (with 5/16" flat washer x 2 and 1/4" lock nut). (F16.1 and F16.2)

B: Repeat Step A to complete 19 more Trellis Assemblies. There will be 20 in total.



Wood Parts

20 x (934) Short Trellis
20 x (933) Long Trellis

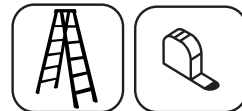
Components

20 x Trellis Bracket

Hardware

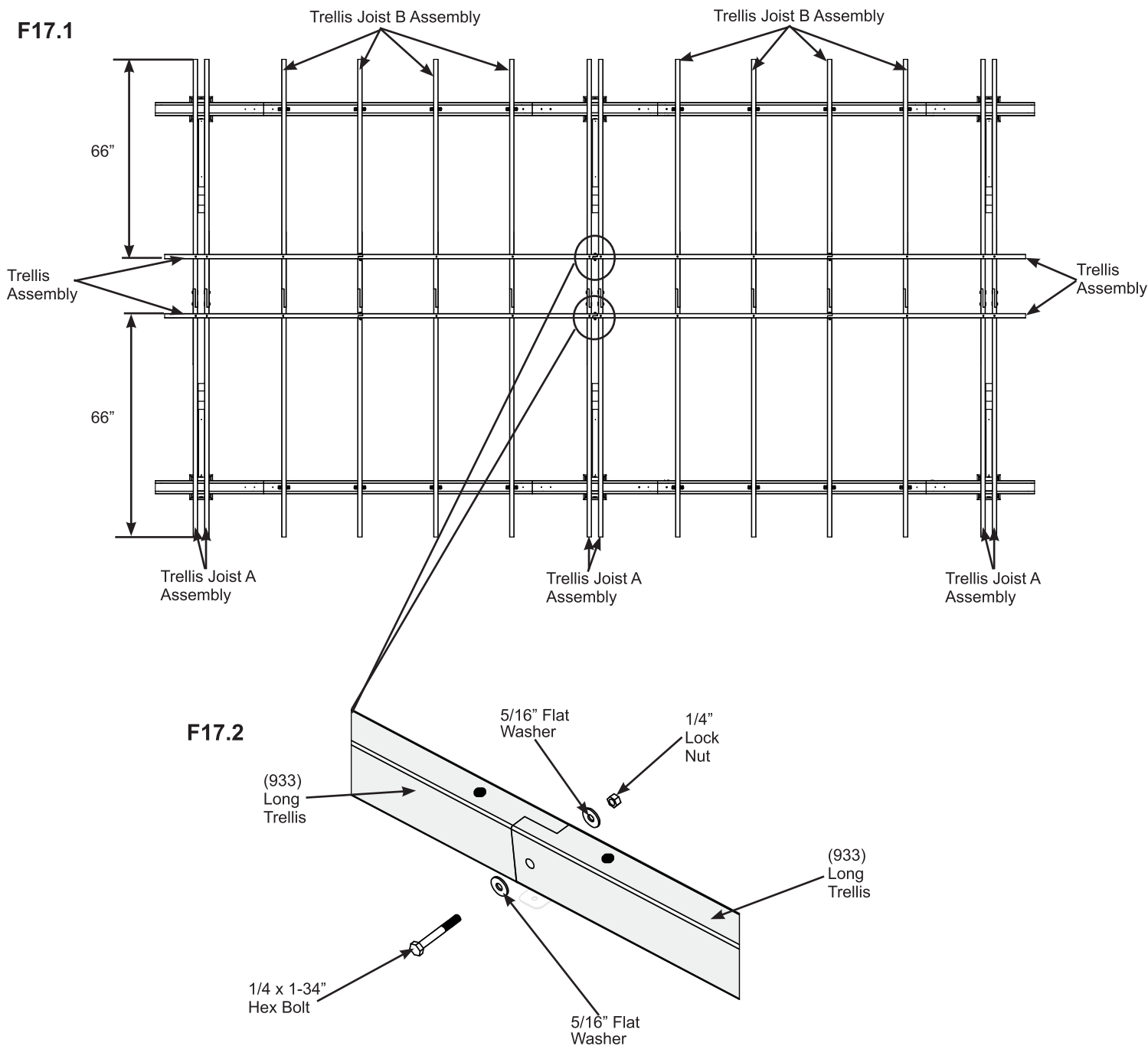
20 x 1/4 x 1-3/4" Hex Bolt
(5/16" flat washer x 2, 1/4" lock nut)

Step 17: Attach Trellis Assemblies Part 1



A: Measure 66" from the end of one outside Trellis Joist A Assembly then place one Trellis Assembly on top of each Trellis Joist Assembly so the pilot holes are centred over each Trellis Joist A Assembly. Place a second Trellis Assembly at the end of the first so they meet in the centre, both ends have pilot holes. Attach Trellis Assemblies together with one 1/4 x 1-3/4" Hex Bolt (with 5/16" flat washer x 2 and 1/4" lock nut). (F17.1 and F17.2)

B: Repeat Step A for the other side of the Trellis Joist A Assembly. (F17.1 and F17.2)



Hardware

2 x 1/4 x 1-3/4" Hex Bolt
(5/16" flat washer x 2, 1/4" lock nut)

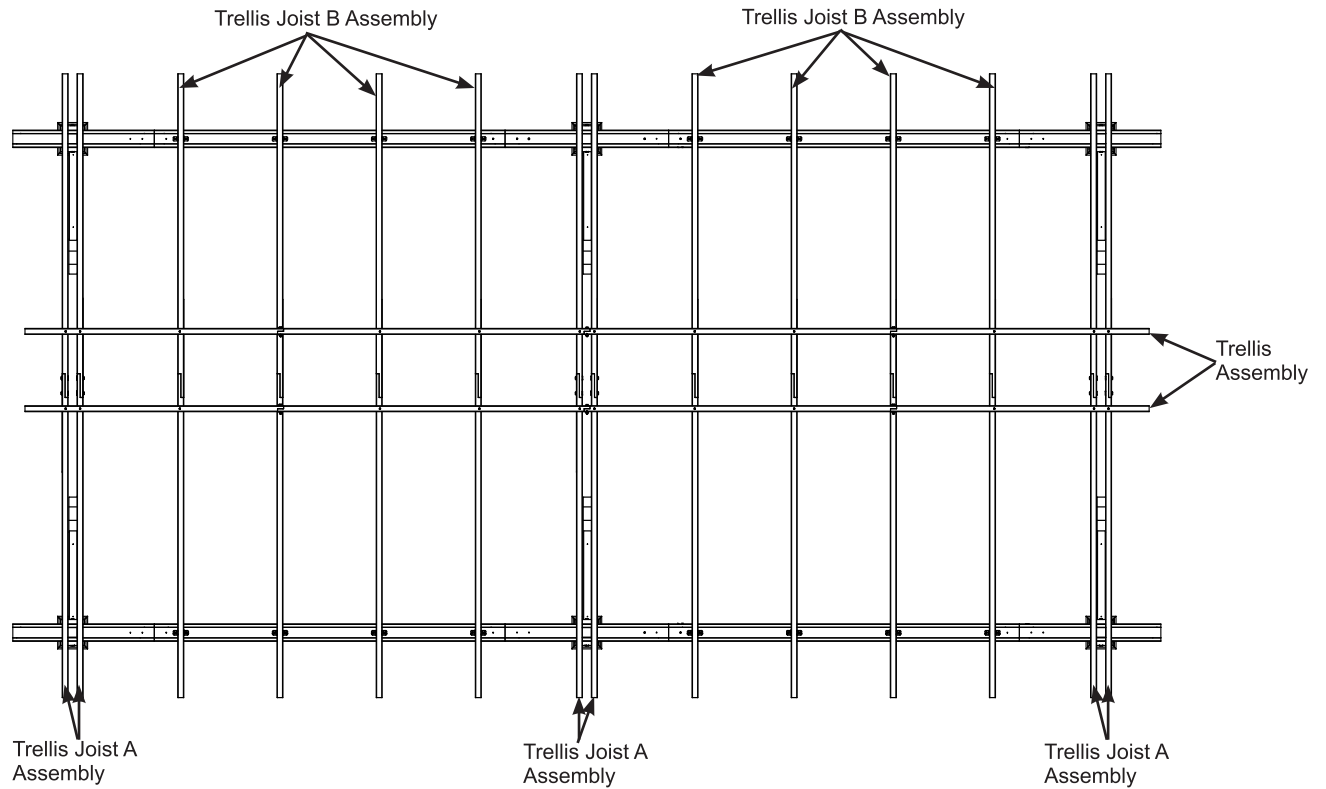
Step 17: Attach Trellis Assemblies

Part 2

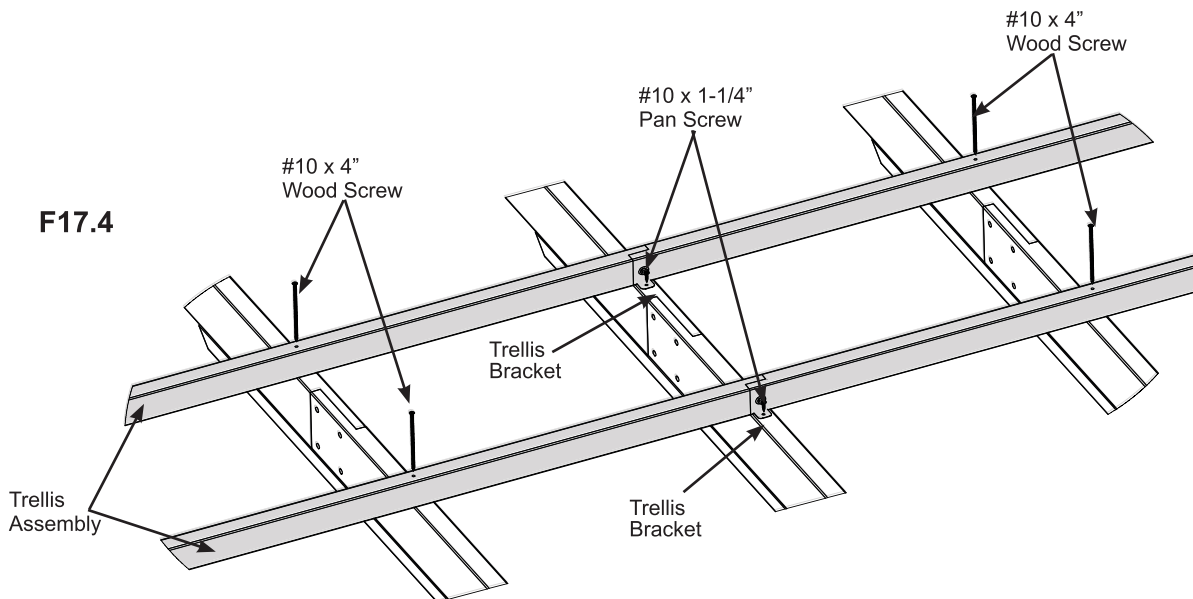


C: Attach Trellis Assemblies to Trellis Joist Assemblies through the Trellis Bracket with two #10 x 1-1/4" Pan Screw and to the remaining Trellis Joist Assemblies with 12 #10 x 4" Wood Screws. (F17.3 and F17.4)

F17.3



F17.4



Hardware

4 x #10 x 1-1/4" Pan Screw

24 x #10 x 4" Wood Screw