

12' x 24' Pergola

Installation and Operating Instructions – YM12778

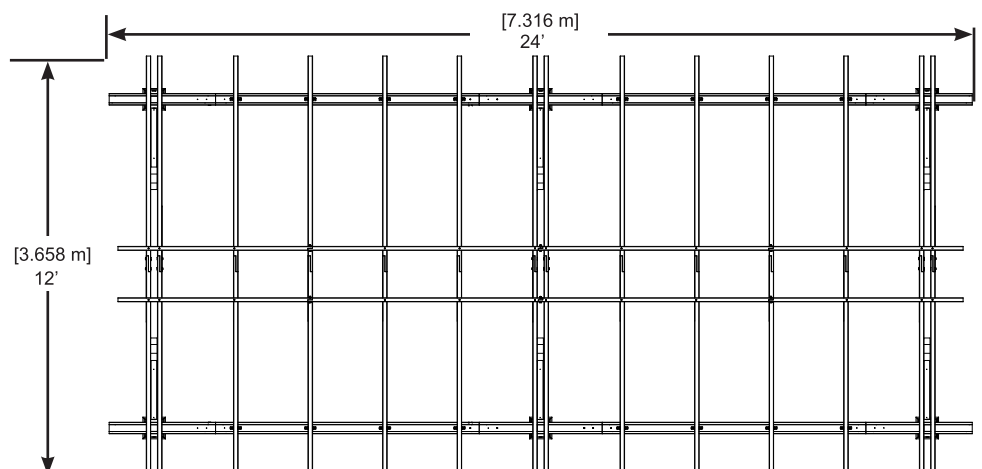


IMPORTANT, RETAIN FOR FUTURE REFERENCE: READ CAREFULLY

Revised 11-29-2019

YARDISTRY®

Yardistry – North America
Toll Free Customer Support:
1.888.509.4382
info@yardistrystructures.com
www.yardistrystructures.com



Height: 8' 6" (2.59 m)

Important Safety Notice!

Yardistry components are intended for privacy, decorative and ornamental use only.

Product is NOT INTENDED for the following:

- A safety barrier to prevent unsupervised access to pools, hot tubs, spas or ponds.
- As load bearing support for a building, structure, heavy objects or swings.
- Used in structures that trap wind, rain or snow that would create extra load on the product.

Accumulated snow must be removed from roof.

DO NOT climb or walk on roof for any reason.

Permanent structures may require a building permit. As the purchaser and or installer of this product you are advised to consult local planning, zoning and building inspection departments for guidance on applicable building codes and/or zoning requirements.

Wood is NOT flame retardant and will burn. Grills, fire pits and chimineas are a fire hazard if placed too close to a Yardistry structure. Consult user's manual of the grill, fire pit or chimenea for safe distances from combustible materials.

Wear gloves to avoid injury from possible sharp edges of individual elements before assembly.

During installation, follow all safety warnings provided with your tools and use OSHA approved safety glasses. Some structures may require two or more people to install safely.

Check for underground utilities before digging or driving stakes into the ground!

It is important during assembly to closely follow the instructions, complete the assembly on a solid level surface and that you follow the instruction to square up, level and anchor the structure, this will reduce the gap at wood connections during assembly.

General Information

General Information: Wood components are manufactured with Cedar (C. Lanceolata) which is protected with factory applied water-based stain. Knots, small checks (cracks) and weathering are naturally occurring and do not affect the strength of the product. Annual application of a water-based water repellent sealant or stain is important and will help reduce weathering and checks.

www.yardistrystructures.com

Questions?

Call toll free or write us at:

1 (888) 509-4382

info@yardistrystructures.com

Patents Pending

Limited Warranty

Yardistry warrants that this product is free from defect in materials and workmanship for a period of one (1) year from the original date of purchase. In addition, for any product with lumber, all lumber is warranted for five (5) years against rot and decay. This warranty applies to the original owner and registrant and is non-transferable.

Regular maintenance is required to assure the integrity of your product and is a requirement of the warranty. This warranty does not cover any inspection costs.

This Limited Warranty does not cover:

- Labour for replacement of any defective item(s);
- Incidental or consequential damages;
- Cosmetic defects which do not affect performance or integrity;
- Vandalism; improper use or installation; acts of nature, including but not limited to wind, storms, hail, floods, excessive water exposure;
- Minor twisting, warping, checking or any other natural occurring properties of wood that do not affect performance or integrity.

Yardistry products have been designed for safety and quality. Any modifications made to the original product could damage the structural integrity of the product leading to failure and possible injury. Yardistry cannot assume any responsibility for modified products. Furthermore, modification voids any and all warranties.

This product is warranted for RESIDENTIAL USE ONLY. Yardistry disclaims all other representations and warranties of any kind, express or implied.

This Warranty gives you specific legal rights. You may have other rights as well which vary from state to state or province to province. This warranty excludes all consequential damages, however, some states/provinces do not allow the limitation or exclusion of consequential damages, and therefore this limitation may not apply to you.

Instructions for Proper Maintenance

Your Yardistry structure is designed and constructed of quality materials. As with all outdoor products it will weather and wear. To maximize the enjoyment, safety and life of your structure it is important that you, the owner, properly maintain it.

HARDWARE:

- Check metal parts for rust. If found, sand and repaint using a non-lead paint complying with 16 CFR 1303.
- Inspect and tighten all hardware after completion of assembly; after first month of use; and then annually. Do not over-tighten as to cause crushing and splintering of wood.
- Check for sharp edges or protruding screw threads, add washers if required.

WOOD PARTS:

- Applying a water repellent or stain (water-based) on a yearly basis is important maintenance to maintain maximum life and performance of the product.
- Check all wood members for deterioration, structural damage and splintering. Sand down splinters and replace deteriorated wood members. As with all wood, some checking and small cracks in grain is normal
- Some gapping may occur at some wood connections.

Assembly Guides

Tools Required:

- Tape Measure
- Carpenters Level
- Standard or Cordless Drill
- 7/16" & 1/2" Wrench
- 7/16" & 1/2" Socket
- Ratchet
- Safety Glasses
- Adult Helper
- Safety Gloves
- Hard Hat
- 6' Step Ladder x 2
- Square

Symbols:

Throughout these instructions symbols are provided in the top, right-hand corner of the page.



- Use Help, where this is shown, 2, 3 or 4 people are required to safely complete this step. To avoid injury or damage to the assembly make sure to get some help.



- Use a measuring tape to assure proper location



- Pre-drill a pilot hole before fastening screw or lag to prevent splitting of wood.



- Check that assembly is square before tightening bolts

If you dispose of your Yardistry structure: Please disassemble and dispose of your unit so that it does not create any unreasonable hazards at the time it is discarded. Be sure to follow your local waste ordinances.

Assembly Tips

Following are some helpful tips to make the assembly process smooth and efficient.

PRE-ASSEMBLIES:

(i.e. Post and Beam Assemblies, Roof Rafter Assembly, etc)

- Work on a raised, solid and flat surface such as, a table or saw horse.
- Keep all connections flush where shown in the instructions.
- When assembling the beams keep parts flat, straight and snug when connecting.

Permanent Installation Examples

Note: It is critically important you start with square, solid and level footings, concrete pad or deck to attach your Pavilion.

We supply Post Mounts with this structure which gives you the flexibility to permanently install your structure to a pre-existing or new wood or concrete surface.

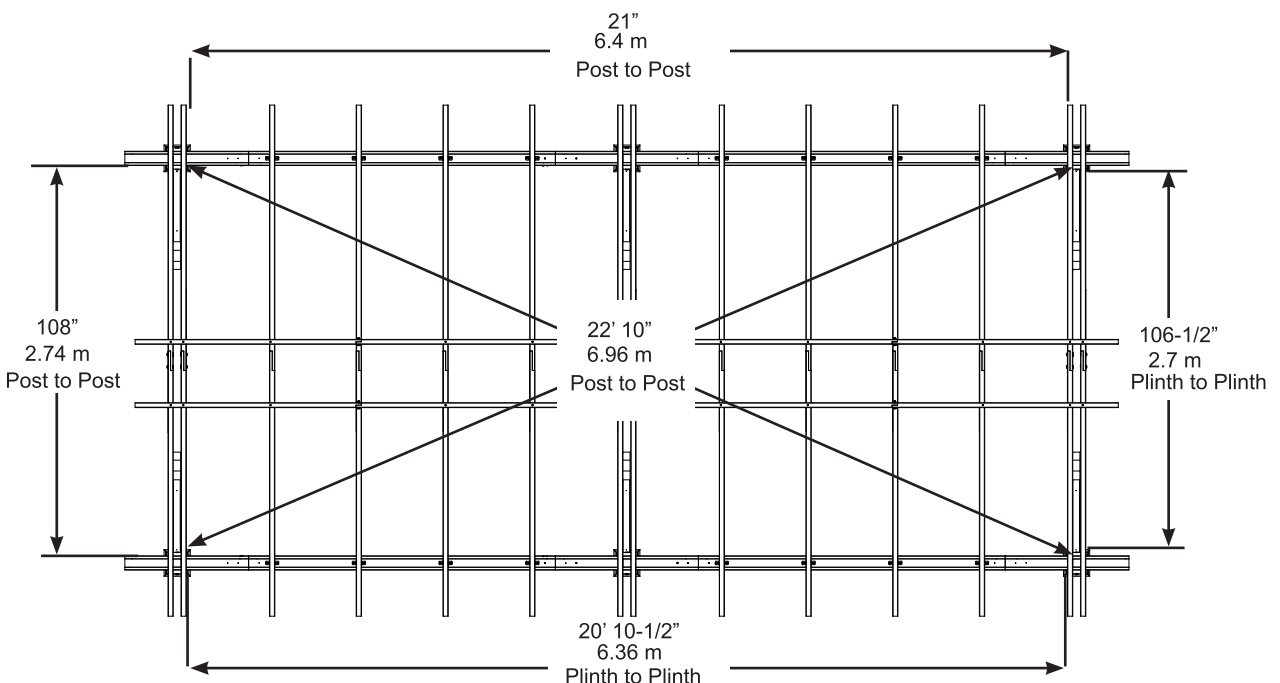
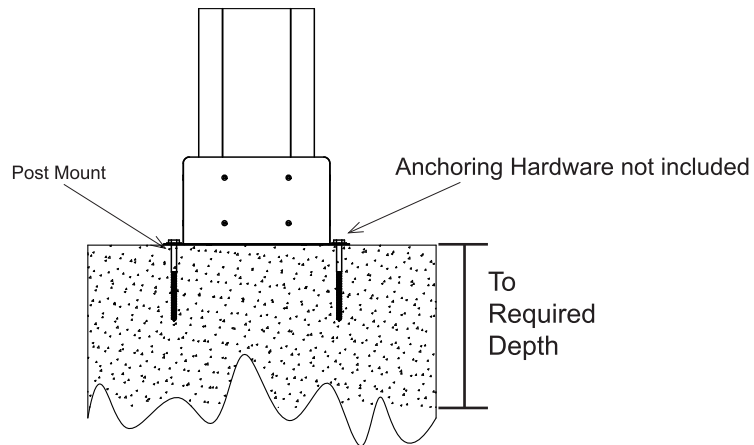
- The hardware to attach the Post Mount to the structure is included.
- The hardware to mount the structure permanently will need to be purchased separately at your local hardware store.

If you are mounting to concrete footers see below for the correct locations and placement. Please double check for possibility of any underground utilities such as gas, telephone, cable or sprinkler lines.

Following are some examples of how to mount the structure to wood or concrete surfaces.

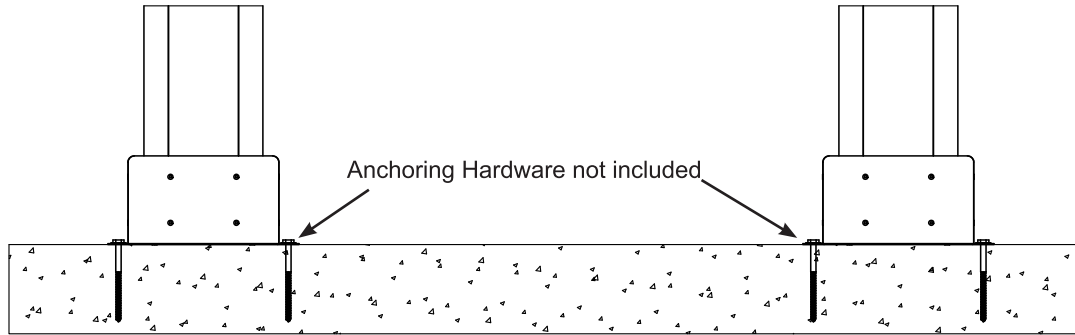
Refer to your local building and city codes, ordinances, neighbourhood covenants, or height restrictions regarding this type of structure for guidance on acceptable installation requirements.

Concrete Footer

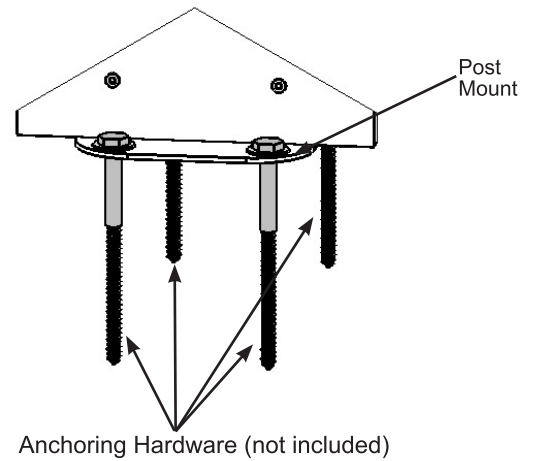
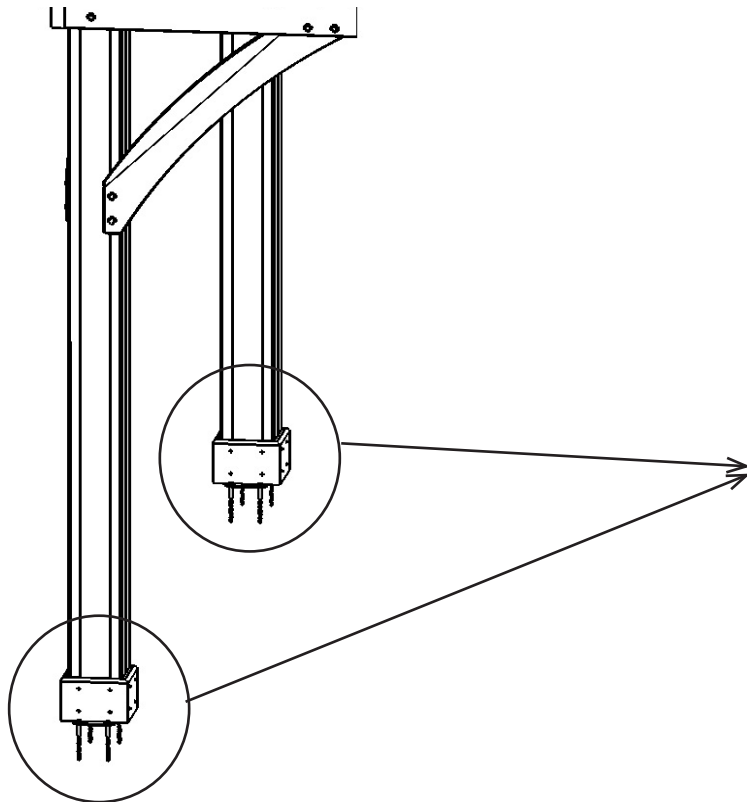
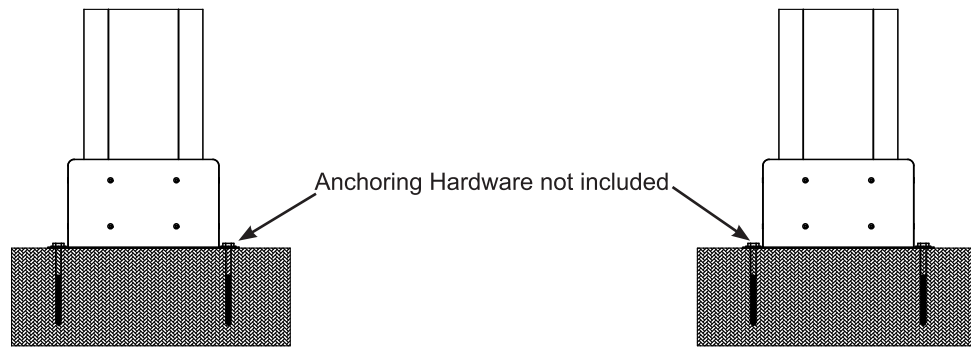


Permanent Installation Examples cont.

Concrete Patio (min. 23' x 11') with 6" clearance on all sides

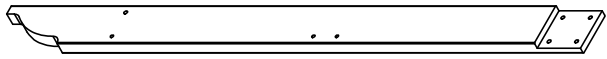


Wood Deck (min. 23' x 11') with 6" clearance on all sides

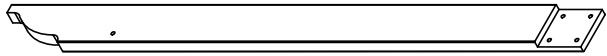


Post Mounts have a 1/2" diameter hole for anchoring hardware.

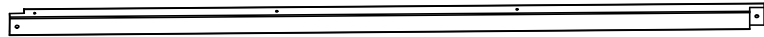
Part Identification (Dimensions are approximate and are shown to assist in the identification of parts for assembly. Actual dimensions may be smaller or larger.)



12pc. (913)-Trellis Joist A-1898.7mm (74-3/4") (Y50229-913)



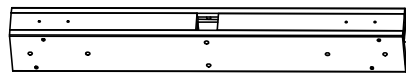
16pc. (914)-Trellis Joist B -1898.7mm (74-3/4") (Y50229-914)



20pc. (933)-Long Trellis -1990.8mm (78-3/8")(Y50229-933)



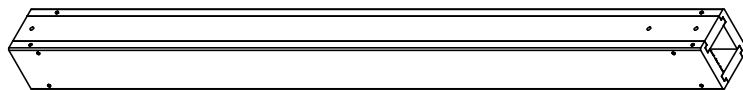
20pc. (934)-Short Trellis -1647.4mm (64-7/8") (Y50229-934)



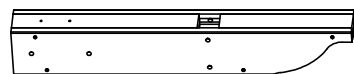
2pc. (924)-Centre Beam - 1041.4mm (41") (Y70229-924)



4pc. (926)-Beam Middle - 2235.2mm (88") (Y70229-926)



6pc. (902)-Pergola Post - 2235.2mm (88") (Y70229-902)



4pc. (929)-Beam End - 901.7 mm (35-1/2") (Y70229-929)



6pc. (909)-Long Gusset - 1015mm (39-15/16") (Y70229-909)



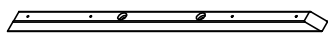
8pc. (899)-Gusset - 812.8mm (32") (Y70229-899)



6pc. (920)-Post Block - 533.4mm (21") (Y50229-920)



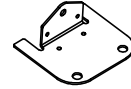
8pc. (912)-Connector Block - 508mm (20") (Y50229-912)



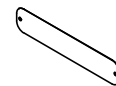
14pc. (918)-Splice - 1016mm (40") (Y50229-918)



2pc. Trellis Bracket (26 pk)
(Y70819-288)



(Y70819-219)
1pc. Post Mount (12 PK)



(Y70800-104)
1pc. Gazebo ID Plaque



(Y50229-422)
24pc. (422)-Plinth
190.5mm (7-1/2")

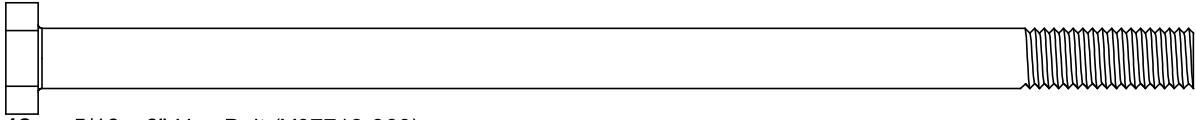


(Y50229-917)
24pc. (917) Post Trim
190.5mm (7-1/2")

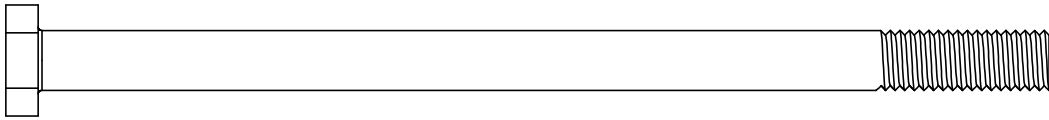


(Y50229-919)
12pc. (919) Top Post Block
190.5mm (7-1/2")

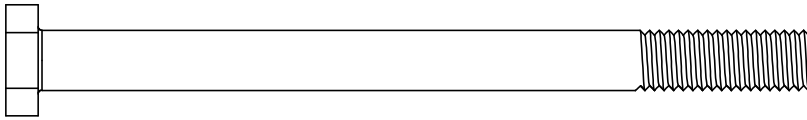
Part Identification (Dimensions are approximate and are shown to assist in the identification of parts for assembly. Actual dimensions may be smaller or larger.)



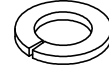
12pc. 5/16 x 6" Hex Bolt (Y07718-360)



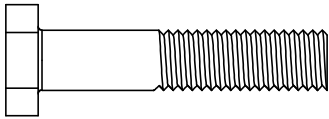
24pc. 5/16 x 5 1/4" Hex Bolt (Y07718-351)



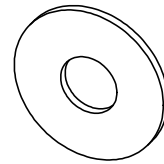
44pc. 5/16 x 4" Hex Bolt (Y07718-340)



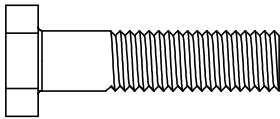
148pc. 5/16" Lock Washer (Y05318-300)



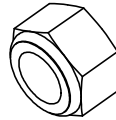
56pc. 5/16 x 1 1/2" Hex Bolt (Y07718-312)



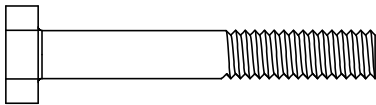
258pc. 5/16" Flat Washer - (Y05118-203)



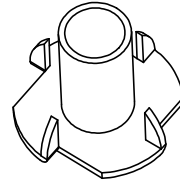
12pc. 5/16 x 1 1/4" Hex Bolt (Y07718-311)



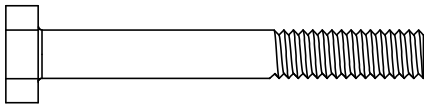
46pc. 1/4" Lock Nut (Y08318-203)



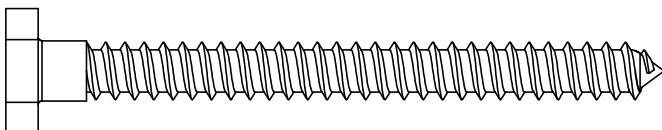
30pc. 1/4 x 3/4" Hex Bolt (Y07718-213)



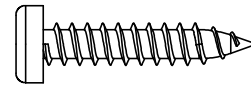
148pc. 5/16" T-Nut (Y08518-300)



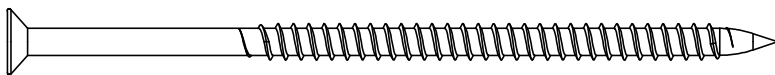
16pc. 1/4 x 2" Hex Bolt (Y07718-220)



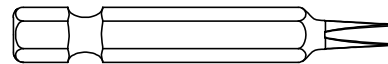
50pc. 5/16 x 3" Lag Screw (Y06218-330)



78pc. Pan Screw #10 x 1-1/4" (Y06491-711)



120pc. Wood Screw #10 x 4" (Y06091-740)



1pc. #2 x 2" Robertson Driver (Y00400-005)



136pc. Wood Screw #8 x 3" (Y06091-530)

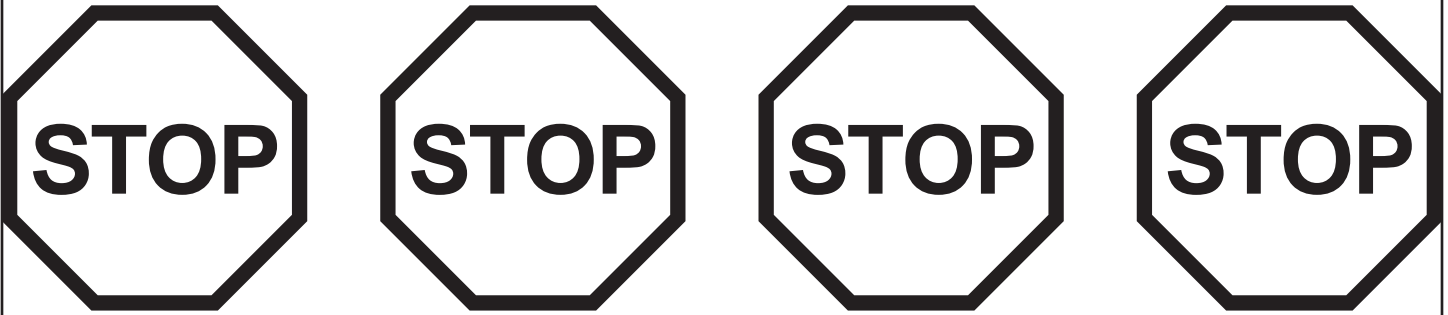


168pc. Wood Screw #8 x 1-1/2" - (Y06091-512)



1pc. 1/8" Drill Bit (Y00400-002)

Step 1: Inventory Parts - Read This Before Starting Assembly



- A.** This is the time for you to inventory all your hardware, wood and accessories, referencing the parts identification sheets. This will assist you with your assembly.
- Each step indicates which bolts and/or screws you will need for assembly, as well as any flat washers, lock washers, t-nuts or lock nuts.
- B.** If there are any missing or damaged pieces or you need assistance with assembly please contact the consumer relations department directly. Call us before going back to the store.

1-888-509-4382

support@yardistrystructures.com

- C.** Read the assembly manual completely, paying special attention to ANSI warnings; notes; and safety/maintenance information on pages 1 - 4.
- Follow the instructions in order.
 - This structure is designed to be assembled and installed ideally by four people, DO NOT attempt to install alone.
 - Consider the slope of elevation where you plan to install the structure. Also, check for gas, telephone, other utilities or sprinkler line locations prior to excavating any holes.
- D.** Before you discard your cartons fill out the form below.
- The carton I.D. stamp is located on the end of each carton.
 - Please retain this information for future reference. You will need this information if you contact the Consumer Relations Department.

PRODUCT NUMBER: YM12778

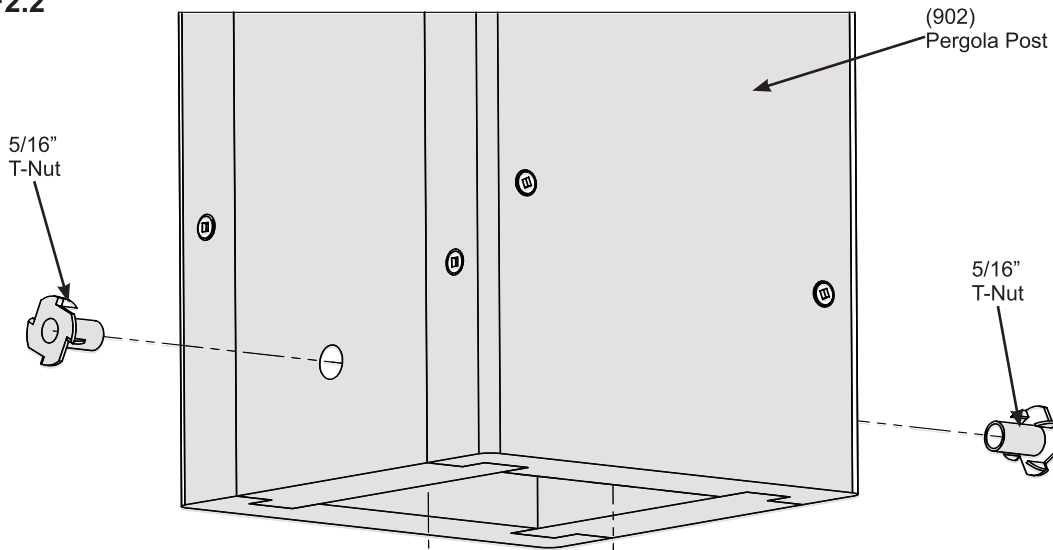
CARTON I.D. STAMP: _ _ _ _ _ (Box 1)
CARTON I.D. STAMP: _ _ _ _ _ (Box 2)
CARTON I.D. STAMP: _ _ _ _ _ (Box 3)
CARTON I.D. STAMP: _ _ _ _ _ (Box 4)
CARTON I.D. STAMP: _ _ _ _ _ (Box 5)

Step 2: Post Assemblies, Part 1

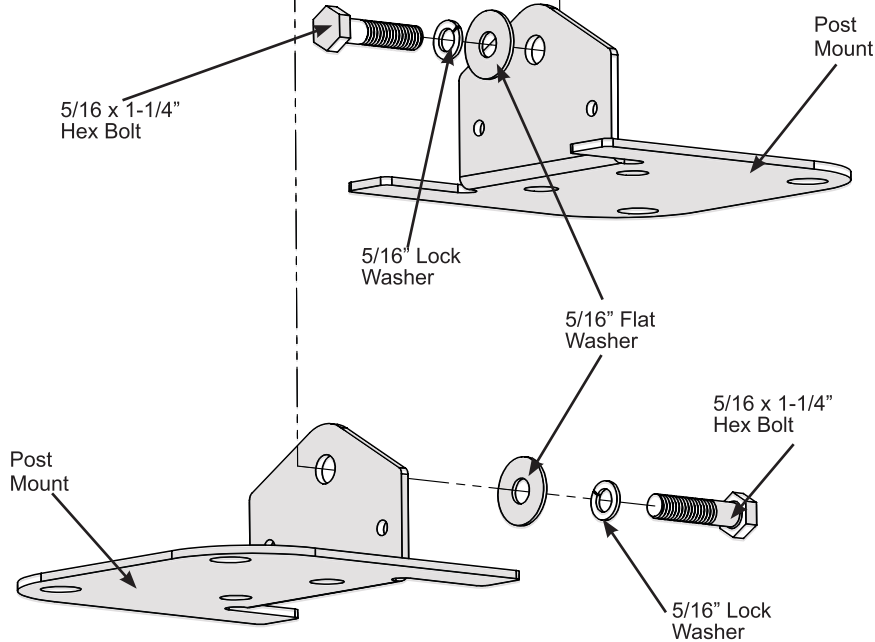
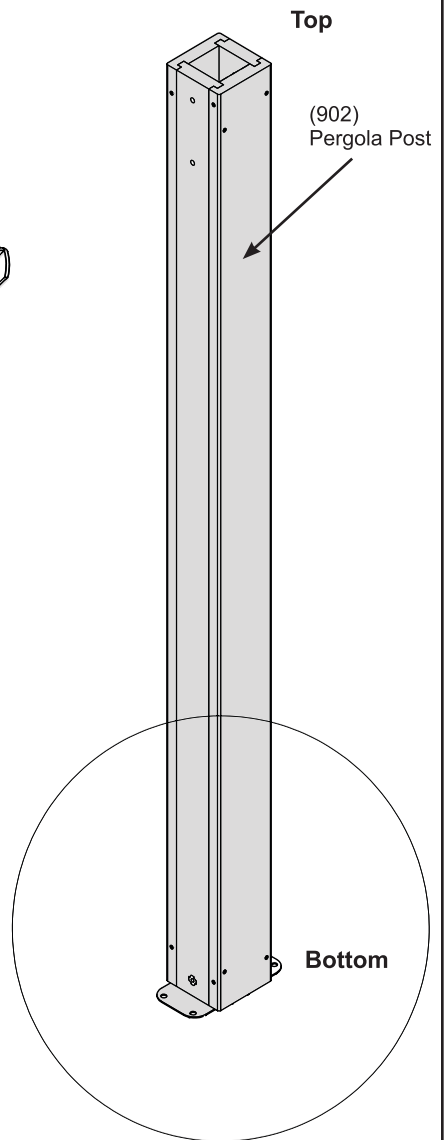
A: At the bottom of one (902) Pergola Post insert two 5/16" T-Nuts as shown in F2.2.

B: At the bottom of (902) Pergola Post place two Post Mounts tight to the bottom and inside faces as shown in F2.1 and F2.2. Loosely attach with one 5/16 x 1-1/4" Hex Bolt (with 5/16" lock washer and 5/16" flat washer) per mount so they connect to the T-Nuts.

F2.2



F2.1



Wood Parts

6 x (902) Pergola Post

Hardware

12 x 5/16" T-Nut

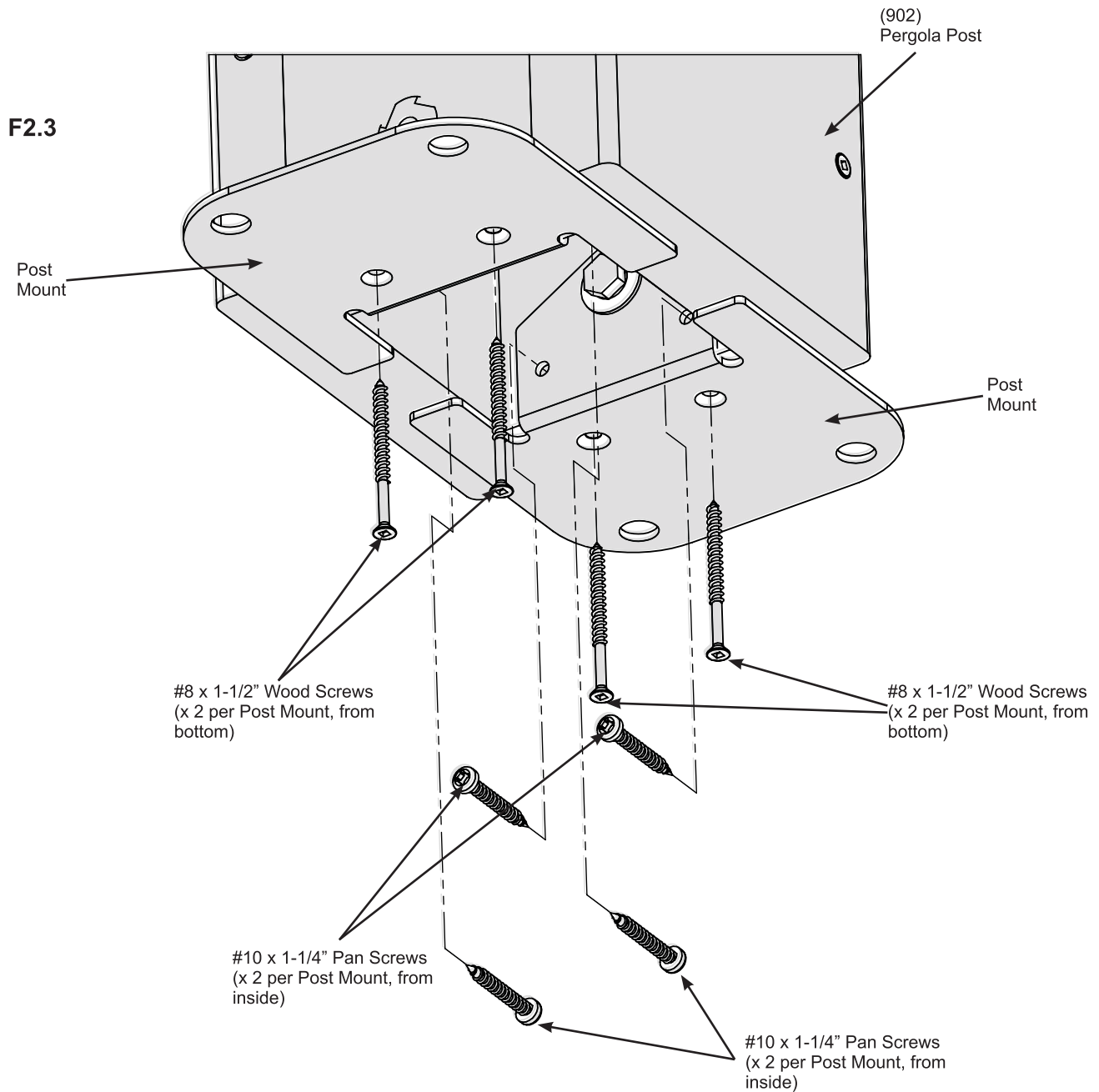
12 x 5/16 x 1-1/4" Hex Bolt
(with 5/16" lock washer, 5/16" flat washer)

12 x Post Mount

Step 2: Post Assemblies, Part 2

C: From the inside attach two #10 x 1-1/4" Pan Screws per mount. These screws are installed at a slight angle. (F2.3)

D: From the bottom attach Post Mounts to posts with two #8 x 1-1/2" Wood Screws per mount. Tighten all bolts. (F2.3)



Hardware

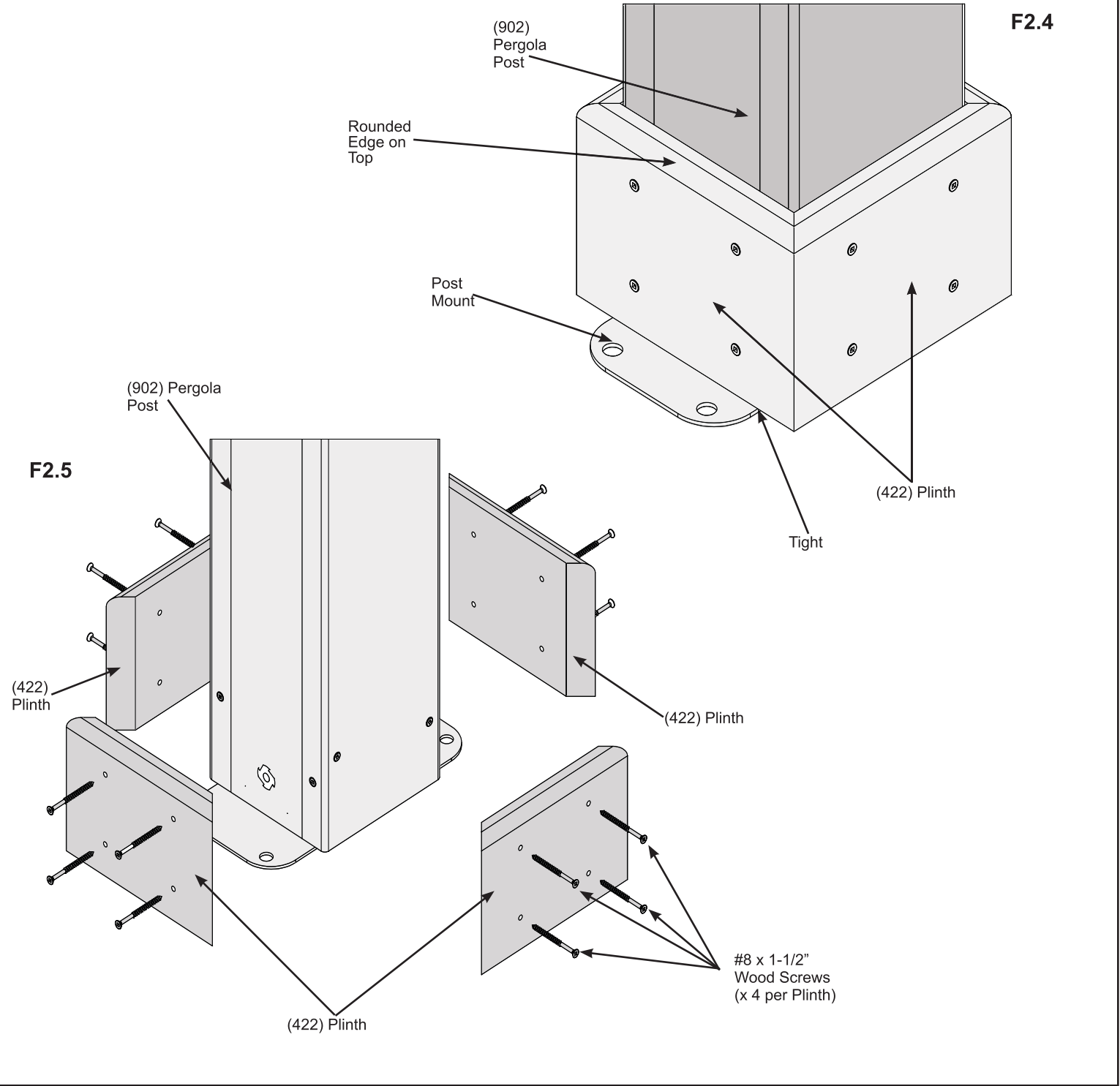
24 x #10 x 1-1/4" Pan Screw

24 x #8 x 1-1/2" Wood Screw

Step 2: Post Assemblies, Part 3

E: Place one (422) Plinth flush to the bottom and tight to the Post Mounts on each side of the (902) Pergola Post and attach with four #8 x 1-1/2" Wood Screws per plinth. Rounded edges on top. (F2.4 and F2.5)

F: Repeat Steps A - E five more times to make six Post Assemblies.



Wood Parts

24 x (422) Plinth

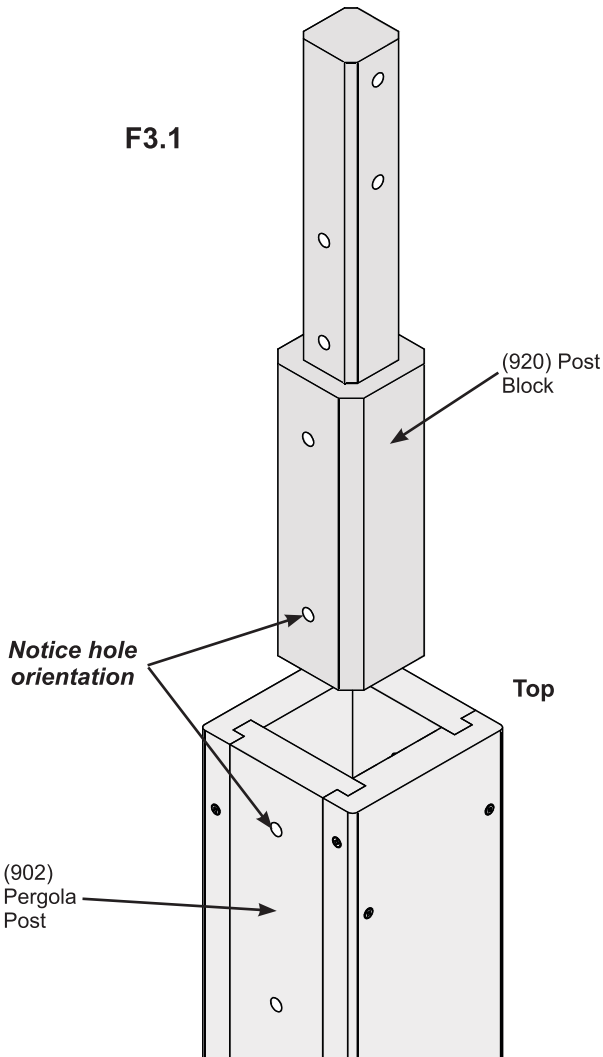
Hardware

96 x #8 x 1-1/2" Wood Screw

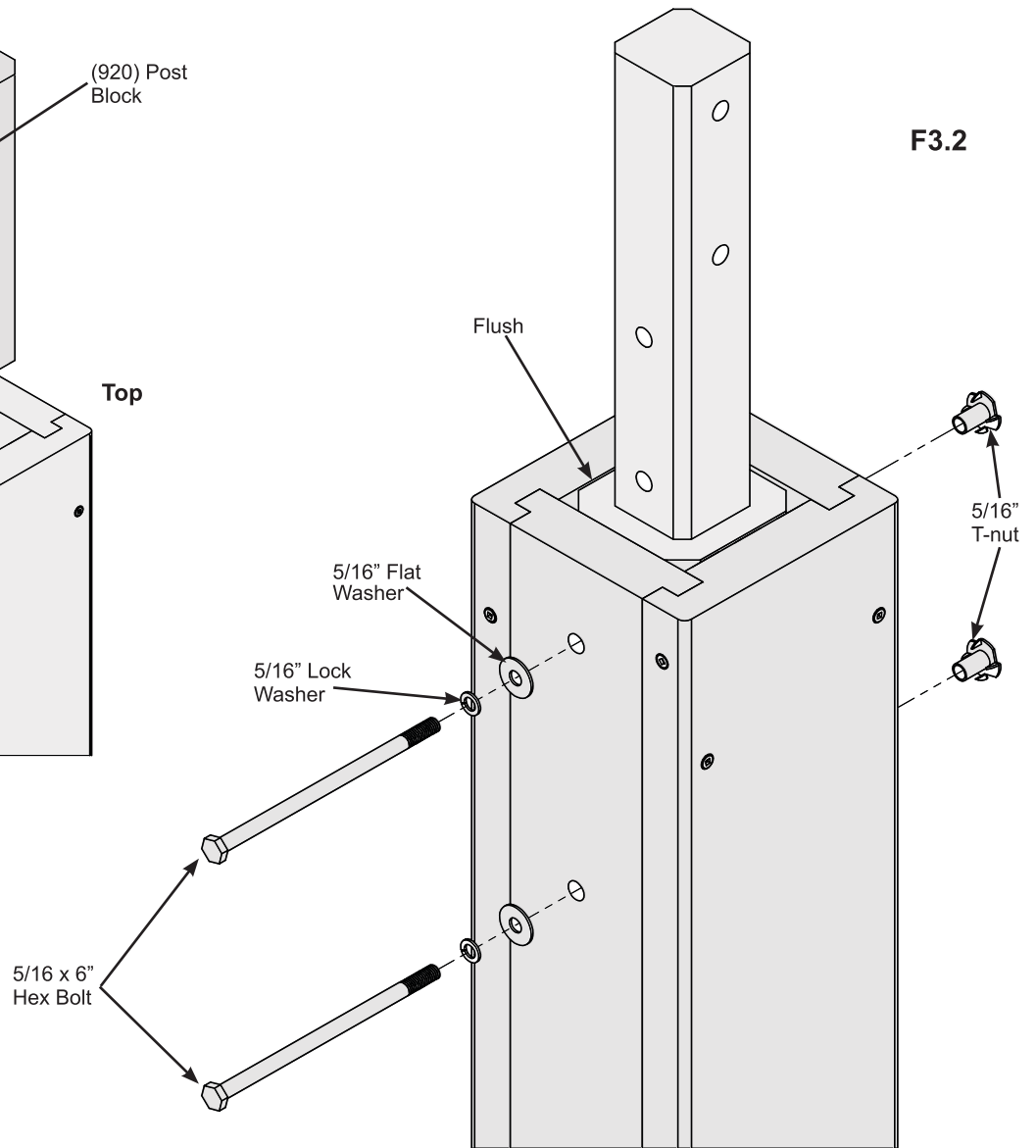
Step 3: Attach Post Block

A: In all six Post Assemblies, place one (920) Post Block inside the top of each (902) Pergola Post. Make sure holes in (920) Post Block align with holes in (902) Pergola Post then attach with two 5/16 x 6" Hex Bolts (with 5/16" lock washer, 5/16" flat washer and 5/16" t-nut). (F3.1 and F3.2)

F3.1



F3.2



Wood Parts

6 x (920) Post Block

Hardware

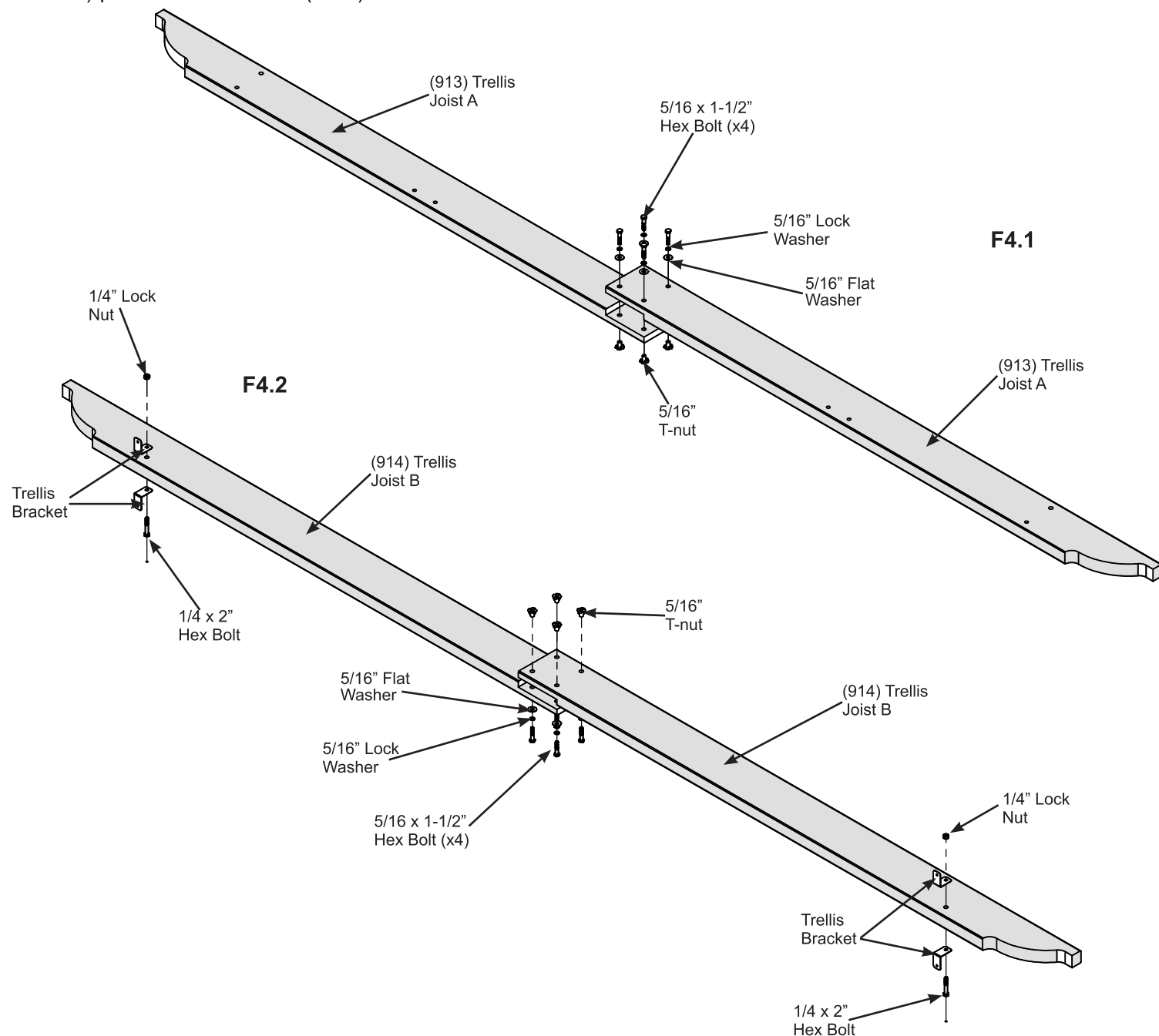
12 x 5/16 x 6" Hex Bolt
(5/16" lock washer, 5/16" flat washer, 5/16" t-nut)

Step 4: Trellis Joist Assembly, Part 1

A: Interlock the cut-outs on two (913) Trellis Joist A and attach using four 5/16 x 1-1/2" Hex Bolts (with 5/16" lock washer, 5/16" flat washer and 5/16" t-nut) as shown in F4.1. Repeat five more times to make six Trellis Joist A Assemblies.

B: Repeat Step A using (914) Trellis Joist B to make eight Trellis Joist B Assemblies. (F4.2)

C: On each Trellis Joist B Assembly attach two Trellis Brackets to each end with one 1/4 x 2" Hex Bolt (with 1/4" lock nut) per set of brackets. (F4.2)



Wood Parts

12 x (913) Trellis Joist A
16 x (914) Trellis Joist B

Components

32 x Trellis Bracket

Hardware

56 x 5/16 x 1-1/2" Hex Bolt
(5/16" lock washer, 5/16" flat washer, 5/16" t-nut)
16 x 1/4 x 2" Hex Bolt (1/4" lock nut)