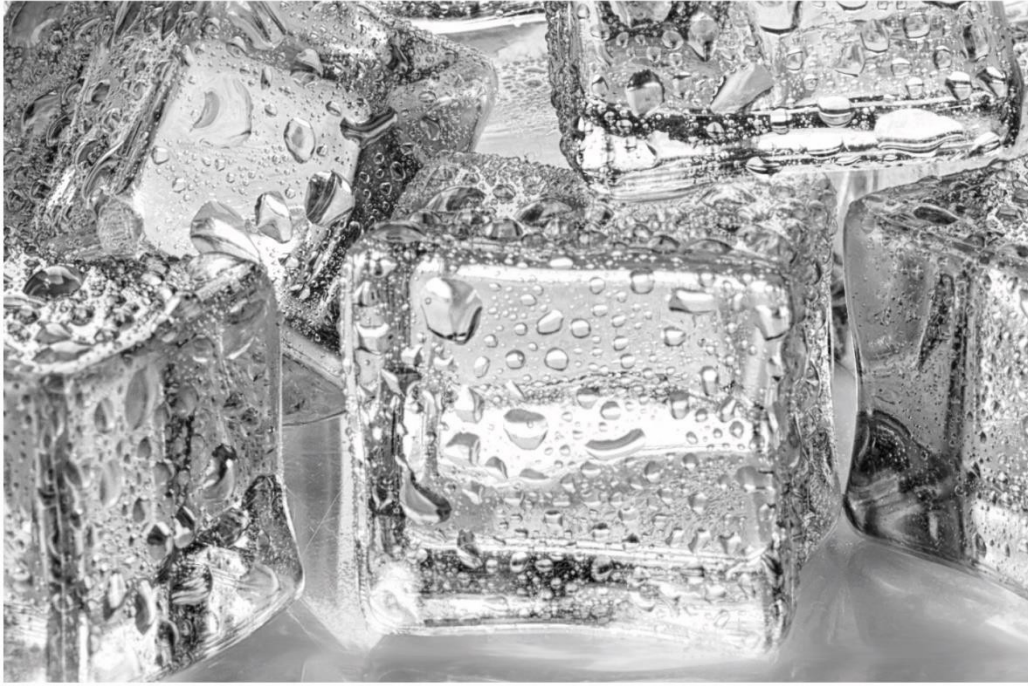


Brandt



INSTRUCTION MANUAL EN

Wine Cellar

Ref: BUW54BA

Brandt

Dear Customer,

Thank you for purchasing and placing your trust in a **BRANDT** product.

We have designed and made this product with you, your lifestyle and your requirements in mind so that it meets your expectations. It comes packed with more than 60 years of expertise, innovative spirit and passion.

In an effort to ensure that our products meet your requirements in the best possible way, our Customer Relations department is at your service, to answer all your questions and to listen to all your suggestions.

Visit our website at www.brandt.com where you will find our latest innovations, as well as useful and complementary information.

BRANDT is pleased to be on hand to offer daily support and to help you make the most of your purchase.



Important: Before using your appliance, read this user guide carefully to familiarise yourself more quickly with its operation.

SAFETY

 This appliance complies with the European directives.



SAFETY GUIDELINES

For your safety and in order to use your appliance correctly, carefully read these instructions (including the warnings and useful advice), before installation and first use.

To avoid damaging the appliance and unnecessary injury, it is important that the persons who use the appliance fully understand how it works and the safety instructions.

Always keep these instructions close to the appliance so that they can accompany it in the event of resale or a change of house. In this way, the appliance will continue to function optimally and any risk of injury will be avoided.

The manufacturer shall not be held liable in the event of misuse of the appliance.

GENERAL SAFETY AND WARNINGS

This appliance is exclusively intended for domestic use in private households. It may only be used in a roofed, enclosed and heated environment such as a kitchen or any other room fulfilling these conditions. Its use on shared or professional premises such as in an office or workshop break room, a camp site building, or a hotel, etc., does not comply with the use defined by the manufacturer.



WARNING! Keep your appliance away from any source of flame during installation, servicing and use. The symbol in the margin which is found on the rear of your appliance, means that there are inflammable materials in this area.

The refrigerating and insulating agents used in this appliance contain inflammable gases.

When transporting, installing and servicing the appliance, make sure that none of the components of the cooling circuit are damaged. If the cooling circuit is damaged:

- ✓ Avoid naked flames and all sources of inflammation.
- ✓ Ventilate the room in which the appliance is installed.



Installation safety

- Your appliance must be installed and, if necessary, secured and used in accordance with the instructions in this manual in order to avoid any risks due to poor installation.
- Maintain clear of obstruction ventilation openings in the appliance enclosure or in the built-in structure.
- It is dangerous to change the composition of this model in any way whatsoever.
- Ensure that the power cord is not trapped or damaged when you position your appliance.
- Any damage to the power cord may result in a short circuit and/or electrocution.
- If the power cord is damaged, it should be replaced by the manufacturer, its after-sales service department or a similarly qualified person, so as to avoid danger.
- Do not place multiple plugs or portable power supply units behind the appliance.
- Use a separate earthed plug of at least 10A and do not plug the appliance into a transformer or multi-socket adaptor.
- Make sure the plug is properly inserted in the socket in order to avoid any fire risks.
- The plug must be easily accessible once the appliance installed in order to be able to unplug it quickly in the event of an incident.



Safety of vulnerable persons

- This appliance may be used by children aged 8 years or more and by people with physical, sensual or mental deficits and lacking experience or knowledge of the device provided that they are correctly supervised or have been provided with instructions regarding the safe use of the appliance and provided that the risks present have been fully understood.
- Children must not play with the appliance.
- Cleaning and maintenance operations must not be carried out by children without supervision.
- Children aged 3 to 8 are allowed to load and unload refrigeration appliances.
- Keep all the packaging materials out of the reach of children, as they can cause suffocation.
- Do not let children hang on the door as the appliance may tip over.
- Do not let children reach the compressor compartment or the metal parts at the back of the appliance as they may injure themselves.



Safety of use

- Do not damage the refrigerating circuit.
- Do not use any mechanical or other means, other than those recommended by the manufacturer, to speed up the defrosting process.
- Do not use any electric appliances inside the compartment for food, unless they are of a type recommended by the manufacturer.
- Do not store any explosive substances, such as aerosols containing inflammable propellant gases, inside the appliance.
- Do not spray water onto the appliance, nor pour water onto it or fill it with water to wash it, as this may damage the insulation or cause an electric shock
- Do not touch the surface inside the compartment, especially if you have wet hands, as the frost could injure you when the appliance is operating.



Food safety

To avoid contaminating the wine, you must follow the instructions below:

- Leaving the door open for long periods of time may significantly raise the temperature in the appliance compartments.
- If the refrigerating appliance remains empty for an extended period of time, switch it off, defrost it, clean it, dry it and leave the door open to prevent any mould from forming inside the appliance.

DISPOSAL



This symbol indicates that this product should not be treated as household waste.

Only dispose of the appliance in certified collection centres.

Your appliance contains a large amount of recyclable material. It is marked with this label to indicate the used appliances must be disposed of in certified collection points.

Contact your local authority or retailer for details of your nearest used equipment collection points. Recycling of appliances organised by your manufacturer is carried out under the best conditions, in accordance with the European regulation on waste disposal of electronic and electrical equipment.

This appliance's packing materials are also recyclable. Help recycle it and protect the environment by dropping it off in the municipal receptacles provided for this purpose.

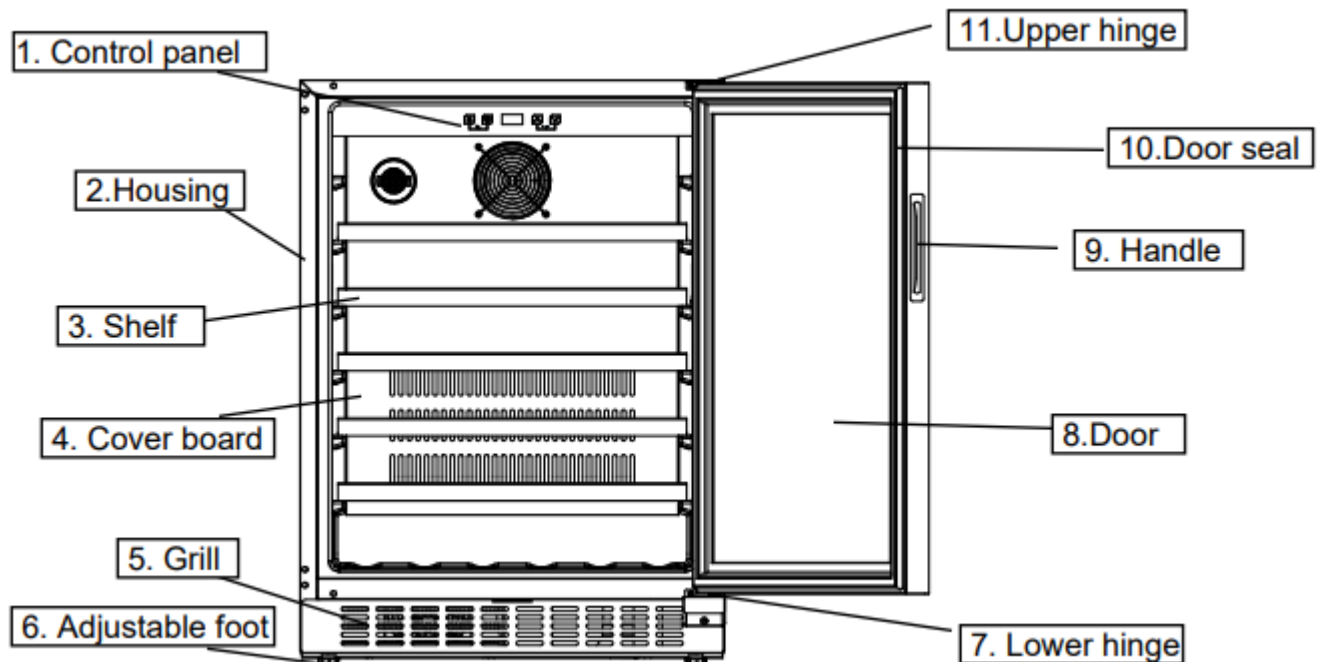
In accordance with the most recent legislative provisions applying to the protection and respect for the environment, your appliance does not contain any CFCs, but a refrigerant called R600a. The exact type of coolant gas used in your appliance is clearly shown on the ID plate inside the fridge part of your appliance, at the foot of the left-hand side panel. R600a is a non-polluting gas that does not harm the ozone layer and hardly contributes to the greenhouse effect at all.

Used appliances must be immediately made unusable.

Disconnect the power cord and cut it as close to the appliance as possible. Inhibit the closing mechanism of the door or, even better, detach the door, so that children or pets cannot remain enclosed inside the appliance when playing.

Layout and presentation of your appliance

- Your appliance was designed and tested to optimise its energy use.



This product has an electric heating door, which can effectively prevent condensation on the surface of the door glass.

The shelves, door frame, handle and the other accessories may vary according to the model and configuration.

All the photos included in this user manual are indicative. The appliance you purchased may not correspond exactly to the one shown here.

Please refer to your own product.

Note: The above diagram is for guidance only. The characteristics of your appliance may vary.

You can only keep your wine in good condition and optimise your energy consumption by following the instructions in this installation and user guide.

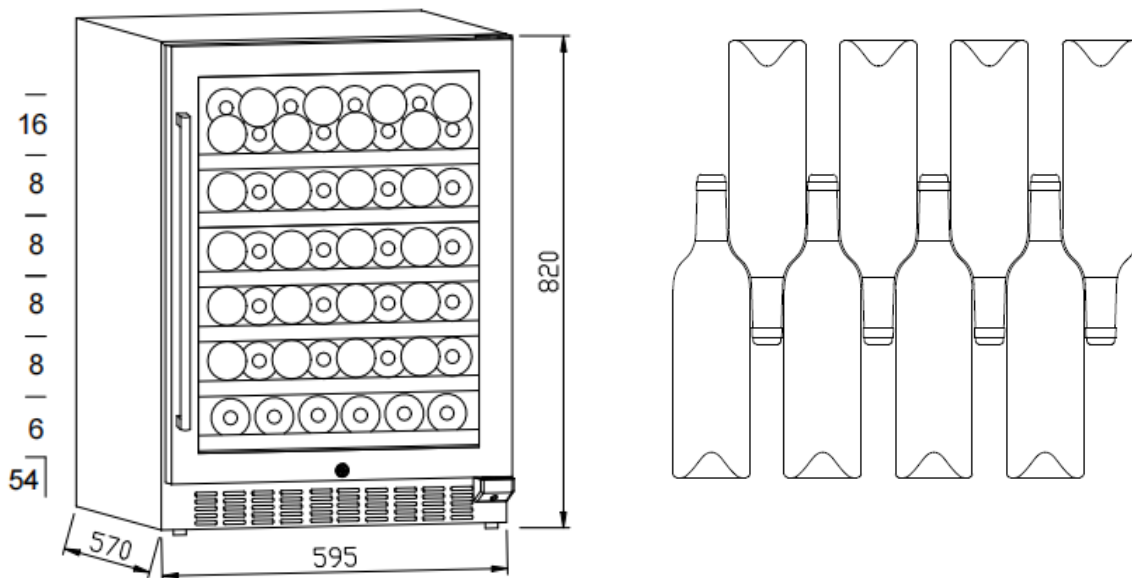
Energy-saving measures

In order to reduce the power consumption of your appliance:

- Install it in a suitable location (see "Installing your appliance").
- Leave the doors open for the shortest time possible.
- Do not introduce any hot items into your wine cellar.
- Regularly check the door seals and make sure that the doors can be closed properly. If this is not the case, contact after-sales service.
- Do not adjust the temperature too low.

Wine conservation

- The appliance comprises enough shelves to keep your wine collection at the right temperature and age it serenely.
- 5 wooden shelves with a capacity of: 54 bottles. (Standard 750 ml Bordeaux bottles)



- The appliance's loading capacity varies according to the size of the bottles and how they are positioned.
- Each shelf is designed to bear 1 or 2 rows of bottles. It is not recommended to place more than two rows of bottles on a shelf.
- Each shelf slides out partially to store the bottles more easily.
- Open the door fully before sliding the shelves out.
- Whenever possible, avoid placing a shelf in front of the fan in order to not obstruct the air intake and thus reduce the cooling efficiency.
- If your wine cellar will remain empty for a period of time, it is advised to unplug it, clean it thoroughly and leave the door open to air it out.
- The table below shows the recommended temperatures to store and enjoy your wine:

Red wine	15-18°C
White wine	9-12°C
Rosy	10-11°C
Champagne and sparkly wine	5- 8°C
Ageing all wines	12°C

INSTALLATION

Care before installation

Before installing the appliance and connecting it to the power grid, wash the walls and all internal accessories with lukewarm water and neutral soap so as to remove the typical smell of a brand new product, then dry thoroughly, and make sure the drain hoses are properly connected (see the "Maintenance and Care" section).

Never use detergents or abrasive cleaners, they will damage the inside coating.

Before plugging in the appliance, place it upright on a firm and dry floor for at least 30 minutes.

The appliance will switch on and start cooling 1 hour later, if this does not occur, make sure it is properly plugged in.

Location

Warning! Never expose the appliance to a naked flame.

- Do not tilt the appliance at more than 45° when you move it to position it.
- Install the appliance in a dry and well-ventilated place.
- The appliance should be located far from heat sources like radiators, boilers, sunlight, etc.
- Do not use the appliance outdoors if it will be exposed to the sun and rain.
- Do not place the appliance in a damp location or expose it to frost.
- Your appliance is designed to function optimally at a given ambient temperature. In this case, it is said to be designed for a particular "climate class". The climate class is clearly shown on the ID plate (see the "Contact" chapter). The appliance may not maintain satisfactory inside temperatures if it operates outside of the temperature limits set for the climate class it is designed for. Ensure that the chosen location is compliant with these temperature limits:

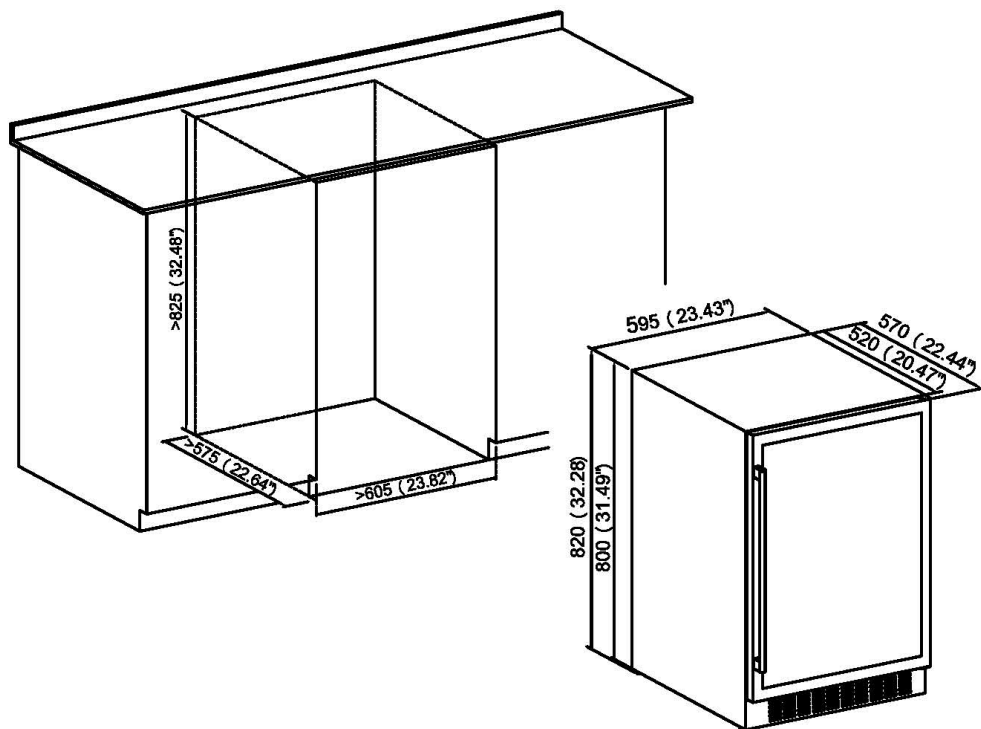
Class	Ambient temperature
SN	This refrigeration appliance is designed for use at ambient temperatures between 10°C and 32°C
SN-ST	This refrigeration appliance is designed for use at ambient temperatures between 10°C and 38°C
SN-T	This refrigeration appliance is designed for use at ambient temperatures between 10°C and 43°C
N	This refrigeration appliance is designed for use at ambient temperatures between 16°C and 32°C
ST	This refrigeration appliance is designed for use at ambient temperatures between 16°C and 38°C
T	This refrigeration appliance is designed for use at ambient temperatures between 16°C and 43°C

- Based on the above, avoid placing your appliance on balconies, verandas, terraces, in garages, etc. Excessive heat in summer and cold in winter will prevent it from operating properly and therefore properly conserving wine.

- It is normal for the appliance's compartment to heat up when it is operating.
 - You can start placing bottles inside the appliance when it starts cooling, in general 1h after switching it on.
- ⓘ If your appliance is fitted with casters, then remember that they should only be used for short movements. Do not move the appliance over long distances on its casters.

The appliance is designed to fully build into the cabinet:

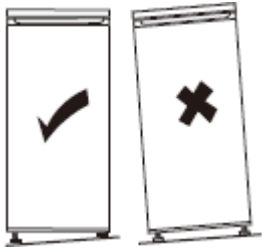
Demonstration for building under the counter



Wine bottles can be stored into the wine cellar, when the interior of the wine cellar has cooled down (Approx~ 1 hr of operation)

Levelling the appliance

Choose a place to install the freezer on a flat surface.

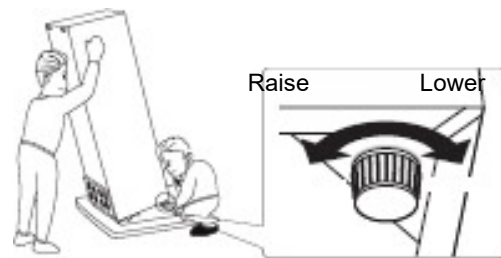


If the appliance is not level, the doors will not be correctly aligned and the compartment seal cannot be guaranteed.

To level the appliance laterally, adjust the two adjustable feet on the front of the product.

Once the appliance is installed, ensure that it is slightly inclined rearwards. In this way, it will be easier to close the door. If necessary, adjust the setting of the adjustable feet.

Procedure for adjusting the feet at the front of the product



Electrical connections



Warning! It must be possible to unplug the appliance from the mains power, so the plug must remain easy to access after installation.

- The electric connections must meet the applicable standards and be capable of withstanding the maximum power shown on the ID plate.
- The power plug must be easily accessible and out of the reach of children.
- For your safety this appliance must be earthed. If the power plug is not earthed, consult a qualified electrician to connect your appliance in line with applicable regulations.
- Do not use extensions, adapters or multiple plugs.
- Do not place multiple plugs or portable power supply units behind the appliance.

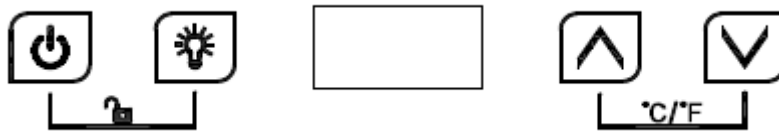
The manufacturer declines all liability if the above mentioned safety precautions are not complied with. **If in doubt, refer to your reseller.**

USE & TIPS

Start operation

- Cleaning the compartment
Before power on, clean inside of the appliance and check the drainage pipe in good connection. (For details, please refer to the “Maintenance and cleaning”)
- Put the appliance stand in place
Before power on, level the appliance on the firm & dry floor for at least 30 minutes.
- Power on
The appliance will begin operating and cool down after one hour; if this does not occur, check the power connection.

Presentation of the user interface



All keys would be invalid if in lock mode. Please unlock first.

ON/OFF

1. To turn off the wine cellar, hold the power button for three seconds. The unit will then power down and enter standby mode.
2. When the appliance is in standby, continue pressing the power button for three seconds to restore normal operation.

Light

Press the button to switch the LED light inside the appliance on or off.

In standby, this button is deactivated.

To increase the temperature

Press the button once and the LED screen flashes regularly to display the current temperature setting. Keep pressing the button to adjust the temperature, one press increases the temperature by 1°C.

If you stop pressing the button for more than 5 seconds, the screen stops flashing and the new temperature is set. The LED screen displays the new current temperature inside the appliance.

To decrease the temperature

Press the button once and the LED screen flashes regularly to display the current temperature setting. Keep pressing the button to adjust the temperature, one press decreases the temperature by 1°C. If you stop pressing the button for more than 5 seconds, the screen stops flashing and the new temperature is set. The LED screen displays the new current temperature inside the appliance.



Child safety lock (Combination of buttons)

1. **To lock:** press the two buttons simultaneously for 3 seconds to lock.
2. **To unlock:** press the two buttons simultaneously for 3 seconds to unlock.



Switch from Fahrenheit to Celsius (Combination of buttons)

Press the two buttons simultaneously for 3 seconds to switch from Fahrenheit to Celsius.

Warning:

- The temperature of this product is set to 12°C upon exiting the factory, and the corresponding temperature range must be adjusted according to the type of wine stored.
- The cooling temperature can be adjusted from 5 to 20°C.

Alarm sound

When a system malfunction occurs and the audible alarm triggers, press any button on the control panel to deactivate the alarm.

Error code

When the temperature sensor of upper zone failure occurs, error code displays: E1 for open circuit; E2 for short circuit.

When the defrost sensor failure occur, error code displays: E3 for open circuit; E4 for short circuit.

Temperature alarm

An audible alarm will be triggered if the temperature in one of the zones rises or falls outside the temperature range. The relevant temperature display will flash at the same time.

The temperature set by the appliance determines the temperature that the appliance recognizes as being too warm or too cool. The audible alarm will be triggered, and the temperature display will flash:

- When you switch the appliance on, if the temperature inside the appliance is very different from the set temperature.
- When too many items have been put into this appliance at one time. Or too much ambient air flowed in when rearranging and removing storage items.
- When the door is not been closed tightly.
- The appliance is faulty. The audible alarm will be automatically silenced and the temperature display stops flashing when the set temperature is reached again.
- However, if the noise disturbs you, you can press any buttons to cancel the alarm sound. The alarm will stop. The related temperature display continues to flash until the set temperature has been reached.

Open Door Alarm

If the door remains open for more than 60 seconds, the audible alarm will sound. Closing the door or pressing the power button once to turn off the alarm.

Daily use

Your wine cellar is equipped with shelves.

Using the shelves

The walls of the wine cellar are equipped with a series of runners so that the shelves can be positioned as desired, along with an anti-tilt system. To remove the shelves make sure to fully open the door and remember to lift the edge of the shelf to unlock the anti-tilt system.

CARE & CLEANING



Warning! Always unplug your appliance before any maintenance work. Never pull on the power cord, but only on the plug itself.

Cleaning

For hygiene reasons, regularly clean the appliance (side walls and interior and exterior accessories).

- Unplug the appliance before cleaning it.
- Clean the appliance with a soft cloth or sponge and water.
- Do not use any organic solvents, alkaline detergents, boiling water, washing powder or acidic liquid, etc.
- Do not rinse the compartment of the appliance with lots of water.
- Regularly clean any surfaces that may come into contact with accessible drain systems.

Important! Ethereal oils and organic solvents can damage plastic parts, e.g. lemon juice, butyric acid or acetic acid.

Detergents, organic solvents, brushes and boiling water may damage the surface of your wine cellar.

ⓘ Never clean the appliance with a steam cleaner.

Power cuts

Most of the time, power cuts are resolved quickly. In order to protect your wine during a power cut, avoid opening the door as much as possible. During extended power cuts, take the measures necessary to protect your wine.

If the appliance is unused for an extended period of time

Remove all the bottles from the appliance, switch it off, defrost it, clean it, dry it and leave the door open in order to prevent mould from forming inside it.



If the appliance is unplugged or a power cut occurs, you must wait for at least five minutes before switching it on again.

Moving the appliance

- Cut off the power supply and unplug the appliance.
- Remove all bottles from the appliance.
- When moving the appliance, do not lean the appliance over 45°.



Replacing the lighting (depending on model):

The light inside the fridge uses a LED. To replace it, please contact your after sales service or an approved technician.

Troubleshooting



Warning! If there is a fault, unplug your appliance. Only a qualified electrician or competent person may carry out troubleshooting.

If there is a fault during operation, check the following points before calling our approved after-sales service or a qualified professional.

Problem	Solution
The appliance makes a lot of noise.	Adjust the front foot and keep it level.
	Leave a little space between the appliance and the walls.
A trickling noise can be heard inside the compartment.	This noise is normal and is due to how the coolant works inside the appliance.
The appliance does not start.	Check that the appliance is properly plugged in.
	Make sure the power is not cut.
	The compressor restarts 5 minutes after a power cut
The compressor runs continuously.	If no cold air is being produced, contact the after-sales service of the retailer.
The door does not close properly.	After a long period of use, the door seal may harden and partially lose its shape. Warm the door seal up with a blow-dryer or hot towel. This softens up the door seal and you will be able to close the door again.
The appliance does not cool sufficiently.	Adjust the temperature.
	Place the appliance away from the sun and any source of heat.
	Avoid opening the door too often
Unpleasant smells are coming form in the compartment.	A slight smell of plastic is normal for new appliances and it will dissipate quickly.
	Clean the compartment and air it out for a few hours.
Condensation forms on the glazed door.	Avoid opening the door too often or for too long.
	Do not set the temperature colder than necessary.
	A high ambient temperature and high humidity may cause condensation
The light is not working.	First check the power source.
	Contact your reseller's after-sales service if the light is broken.

① **Some noises may be heard during normal appliance operation (compressor operating cycle, automatic defrosting, circulation of the refrigerating gas through the appliance, etc.).**



If you cannot find the cause of the fault, only call our approved after-sales service or a qualified professional.

Technical specifications

Product model	BUW54BA
Voltage/frequency	220~240 V~/50 Hz
Coolant/quantity	R600a/35 g
Useful volume	135 L
Countenance	54 bottles
Net weight	39 kg
Dimensions of the appliance (WxDxH)	595×570×820mm
Dimensions of the packaging (WxDxH)	680×670×905mm

Observations:

1. The net weight includes the shelves and the dimensions of the appliance do not include the door handle (if external).
2. The manufacturer reserves the right to modify the above specifications without any prior notice. Please refer to the nameplate on your appliance.
3. The appliance's capacity varies according to the size of the bottles and how they are positioned (the reference used in this document is a standard 750 ml Bordeaux bottle).

CONTACTS & INFORMATION

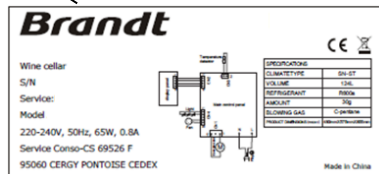
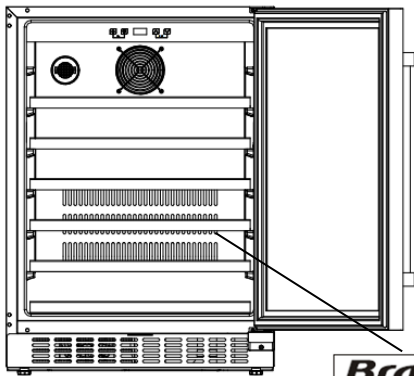
For more information about our products or to contact us, please:

- Visit our website: www.brandt.com

Servicing and repairs

Any repairs to your appliance must be made by a qualified professional accredited to work on the brand.

When making contact, mention the complete reference of your appliance (model, type, serial number). This information is provided on the ID plate located inside your wine cooler (at the bottom right/left or at the back of the inside of your wine cooler).



Reference	
Serial number	
Type	
Model	
Service Reference	

You can find a list of approved service centres on our website www.brandt.com

This website also allows access to information on spare parts.

Guarantee

The manufacturer does not offer a commercial warranty for the refrigerating appliance; please contact your retailer to benefit from the guarantee.