



STONE SMITHS



STONE SMITHS

CROSSOVER INSTRUCTION MANUAL

THE CROSSOVER

This guide will show you how to use your Crossover including preparation, cleaning.

- What's inside/p2-3
- Quick start/p4-13
- Temperature settings/p14-15
- Cleaning your device/p16-18
- Advanced features/p18

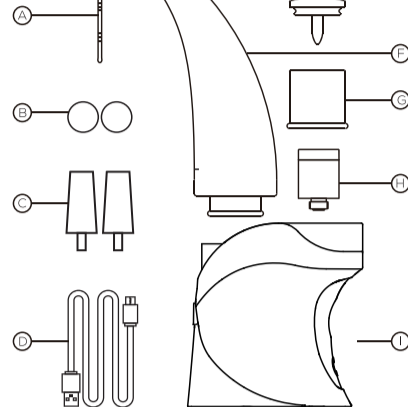
1

READ CAREFULLY!

Please read the entire instruction booklet before using your device to ensure you're getting the most out of your Crossover. You will avoid damaging your device, or interrupting your experience if you do it now vs. later.

See stonesmiths.ca for instructional videos and helpful tips.

WHAT'S INSIDE:



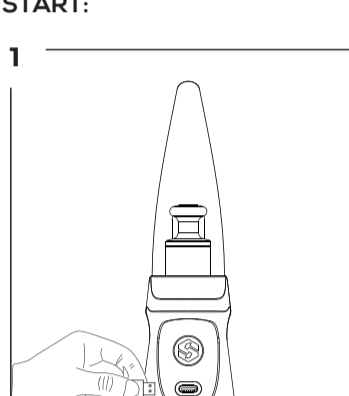
- A: Loading Tool
- B: O-ring*2
- C: Silicone Cover*2
- D: USB-C Cable Charger
- E: Glass Carb Cap
- F: Glass Bubbler
- G: Glass Tube
- H: Heating Coil
- I: Crossover Base

2

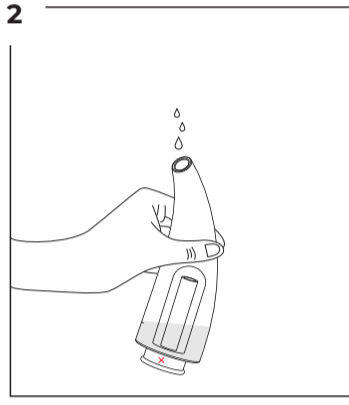


3

QUICK START:



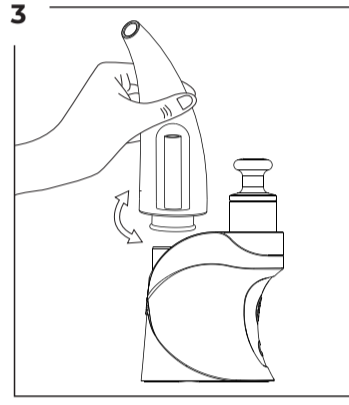
4



Fill glass with water just below the white line. Do not fill glass while attached to the base.

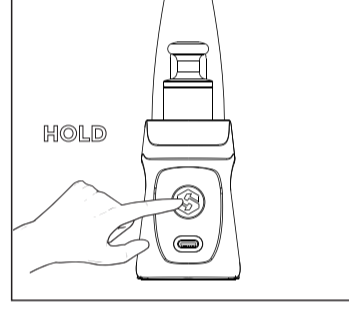
X - Do not allow water into lower section!

5



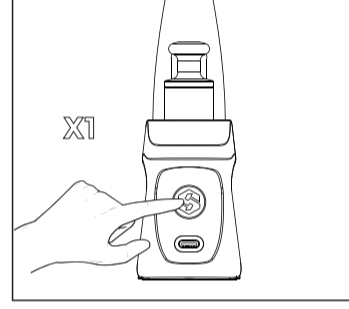
Carefully push the front of glass into the base.

6



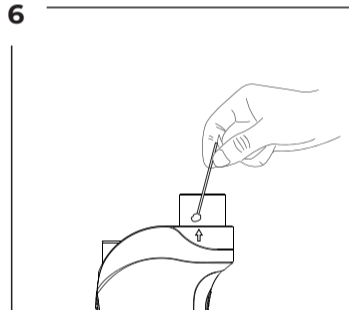
To unlock/lock the device, hold down the button for 2 seconds.

7



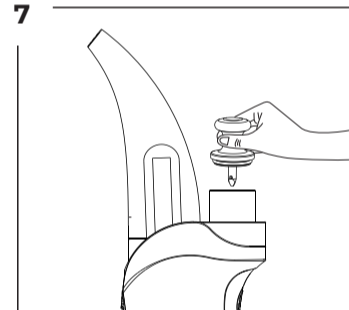
Single click to wake up the machine, when it's in the standby status after turn on. Single click to toggle through heat settings. White (Low) - Blue (Medium) - Green (Middle) - Purple (High) - Red (Peak)

8



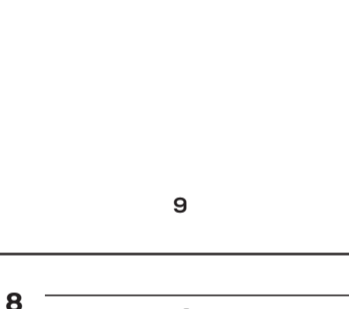
Use loading tool to place contents on the bottom surface of the bowl (not the sides).

9



Place carb cap on top of chamber. Press down until snug.

10

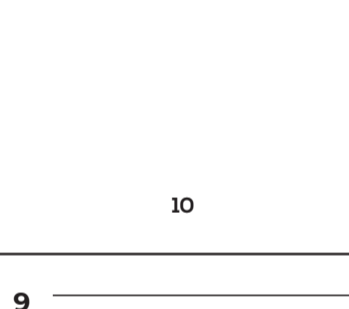


Double click to initiate preheat for 15s, the light flash quickly. Preheat process can not be stopped.

Then it initiate heat-up for 30s. Single click anytime to exit. Slow flashing light indicates heat-up mode is active. When ready, device will vibrate twice and lights will stop flash but keep light up, and come in standby status.

For the next heat-up, if the cooling time is over 60s, it will initiate preheat again. If less than 60s, it can heat-up directly.

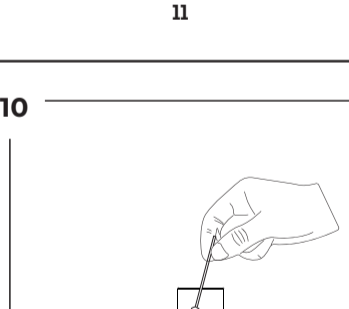
11



Device will vibrate twice and lights will stop flash but keep light up when ready. Inhaling gently will produce the best results.

When ready, if without operation, it come in the standby status, the light will off in 90 seconds, and the machine will automatically power off in 5 minutes.

12



Use a cotton swab to clean the chamber after each use. Wipe gently in a circular motion.

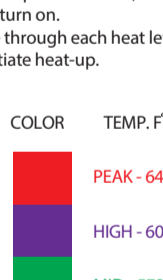
13

TEMPERATURE SETTINGS:

HOW TO CHOOSE A SETTING

- Ensure device is on.
- Single click to wake up the machine, when it's in the standby status after turn on.
- Click once to cycle through each heat level.
- Double click to initiate heat-up.

COLOR TEMP. F



14

HEAT SETTING PROFILES:

Each heat setting has an intended purpose and results depending on the experience you're looking for. There is no wrong answer when selecting a setting, experiment to find what works best for you and your consumption needs.

PEAK (ADVANCED)

Delivering the most vapor and strength with less flavor.

HIGH (STRONG)

Higher vapor production while maintaining flavor quality.

MID (STRONG)

Balanced flavor and vapor production, best of both worlds.

MED (BALANCED)

Balanced flavor and vapor production, best of both worlds.

LOW (HIGH FLAVOR)

Best with delicate concentrates. Optimal flavor and lowest vapor production.

15

CLEANING: CHAMBER

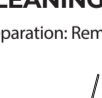
- Remove the cap and unscrew the chamber from the base.
- Light Cleaning: Use a cotton swab to gently remove any residue with 90%+ isopropyl alcohol.
- Deep Cleaning: Submerge the chamber in 90%+ isopropyl alcohol for 20 minutes. Never use water (isopropyl alcohol only).

Isopropyl alcohol is highly flammable. Let it dry completely before heating device.

16

CLEANING: BASE

Preparation: Remove glass and chamber.



Gently clean the gold contact points using cotton swabs soaked in isopropyl alcohol. Clean the airpath between the chamber and the glass.

Do not allow water into the base at any time.

CLEANING: GLASS

Preparation: Carefully remove glass from base.



- Once removed, submerge in isopropyl alcohol.
- After soaking, remove from isopropyl alcohol and rinse clean with water. (Make sure it's rinsed thoroughly prior to use.)

Allow glass to thoroughly dry before re-attaching to base.

X - Do not re-insert glass onto base with water in the bottom chamber.

17

GENERAL WARNINGS:

- Do not overfill the chamber.
- Do not blow or exhale hard into the glass. This will force water into the base.
- Do not store device with water in the glass.
- Strong inhales may cause spillage and damage to your chamber.
- Do not charge or operate below 32° F or above 100° F.
- Use only with the provided cable.
- Keep away from moisture and high humidity.
- Store in a cool dark place when not in use.
- During use the chamber is hot (burn hazard).

ADVANCED FEATURES:

STEALTH MODE:

Rapidly click 4 times to turn Stealth Mode on/off. This turns off the lights on your device for discretion.

ERROR CODES:

- 1: No chamber (3 red flashes)
- 2: Short-circuit (5 red flashes)
- 3: Low battery (10 red flashes)

18

NEED HELP? CONTACT US!

*Please do not return your Crossover to the store. *Keep your proof of purchase.

If you're having anything less than a perfect experience, reach out to our support team.

Visit stonesmiths.ca

For FAQ's, how-to videos, and other resources that may solve your problem quickly.

19



STONE SMITHS

SHARE THE VIEW:

Use #StoneSmiths to share your experience. Kindly follow us on Instagram!

[Stonesmiths_official](https://www.instagram.com/Stonesmiths_official)