



## 18000-XNCF-K0S0 CIVIC TYPE R SPORTS EXHAUST SYSTEM

### Installation/Handling Manual

Thank you for purchasing an infinite product.

Please make sure you understand the following precautions before installing. This product is developed and manufactured to meet the safety standards for use on public roads.

<<Replacement muffler It is a product that has been certified and registered by the pre-certification system. >>

please note

1. Immediately after unpacking, check that the contents of the package (see the parts list) are not missing or damaged. 2. Check the model of the vehicle to be mounted before mounting.

[Applicable model] CIVIC TYPE R DBA-FK8

[Performance confirmed display number] JATA 40190046  
K20Ct

3. If it is installed correctly in a compatible model, no modification application is required.

4. Install this product in the vehicle at a car shop or a Honda dealer according to the service manual and this manual.

5. As a general rule, it has not been confirmed whether this product can be installed at the same time as genuine Honda products. 6. Please note that we are not responsible for any problems, accidents, etc. due to processing, improper assembly, or misuse of this product.

7. If you install it on other types of vehicles, it will not meet the safety standards and will not pass the vehicle inspection.

8. If it is determined that the muffler will not perform satisfactorily due to improper assembly, disassembly, or deterioration over time, the vehicle inspection may not be passed. Please consult your dealer and replace with a new one.

This product is a muffler (\*) for which the performance of the muffler with retrofit is confirmed. Performance confirmed numbers plate is attached to the bottom of the silencer.

JATA 40190046  
K20Ct

(\*) A muffler with confirmed performance of the first-class retro silencer

It is a muffler that has been tested and confirmed for proximity noise and acceleration noise by the examination mechanism approved by the Ministry of Land, Infrastructure, Transport and Tourism. You will be asked to confirm this performance confirmed display number plate when you bring in your vehicle or check your vehicle.

Be sure to give this installation/instruction manual to the customer after assembly and at the time of delivery.

If you have any questions, please contact us below.

Domestic Sales Division, Product Division, M-TEC Co., Ltd.

2-15-11 Kashiori-cho, Asaka-shi, Saitama 351-8586, Japan

[Business hours from 10:00 to 17:00 (excluding weekends, holidays, and our regular holidays)]

TEL. 08462-4161 FAX. 08462-3121  
TEL. 01048-462-3121 FAX. 01048-462-3121

To customers

[Be careful of burns]

-The muffler body becomes extremely hot when the engine is running and immediately after the vehicle is stopped. Be especially careful as the tail pipe is exposed to the outside of the car body, so it is easy to touch the body and there is a risk of burns if touched.

Also, make sure that there are no flammable objects nearby when stopping.

[Be careful of exhaust gas]

-Vehicle exhaust gas contains components harmful to the human body. Do not inhale the exhaust gas directly.

- If you take a nap while idling or keep the engine running in a closed garage, do not do so as it may cause carbon monoxide poisoning.

[Handling Precautions]

· Depending on the condition of the storage location of the vehicle body (such as a place with high salt content or humidity) and the driving conditions, the muffler may corrode and holes may be formed, or the muffling performance may deteriorate. If you continue to use it as it is, it will be very dangerous as it will cause exhaust gas leakage. Please repair it immediately.

-This product is made of stainless steel and titanium that are resistant to rust, but rust and deterioration may be accelerated under the high load of the muffler.

· If the vehicle height is changed to a value that is extremely low, the muffler may contact bumps on uneven road surfaces or curbs, resulting in damage. Secure the minimum ground clearance (90 mm) specified by law and operate with caution. · Be careful not to let water in from the outlet of the exhaust pipe when washing the car. If water accumulates inside the muffler, the sound absorbing material will not be able to exhibit its original performance, and it will not be possible to sufficiently muffle the sound.

Also, please do not idle or leave the engine idle for a long time as water vapor contained in the combustion gas of the engine will cause water to easily accumulate in the muffler.

- Check bolts and nuts for looseness and looseness on a regular basis, and check the installation condition.

[Component list]

No. PARTS NAME. QTY. ① Intermediate pipe 1 ② Rear silencer

bracket (L) 1

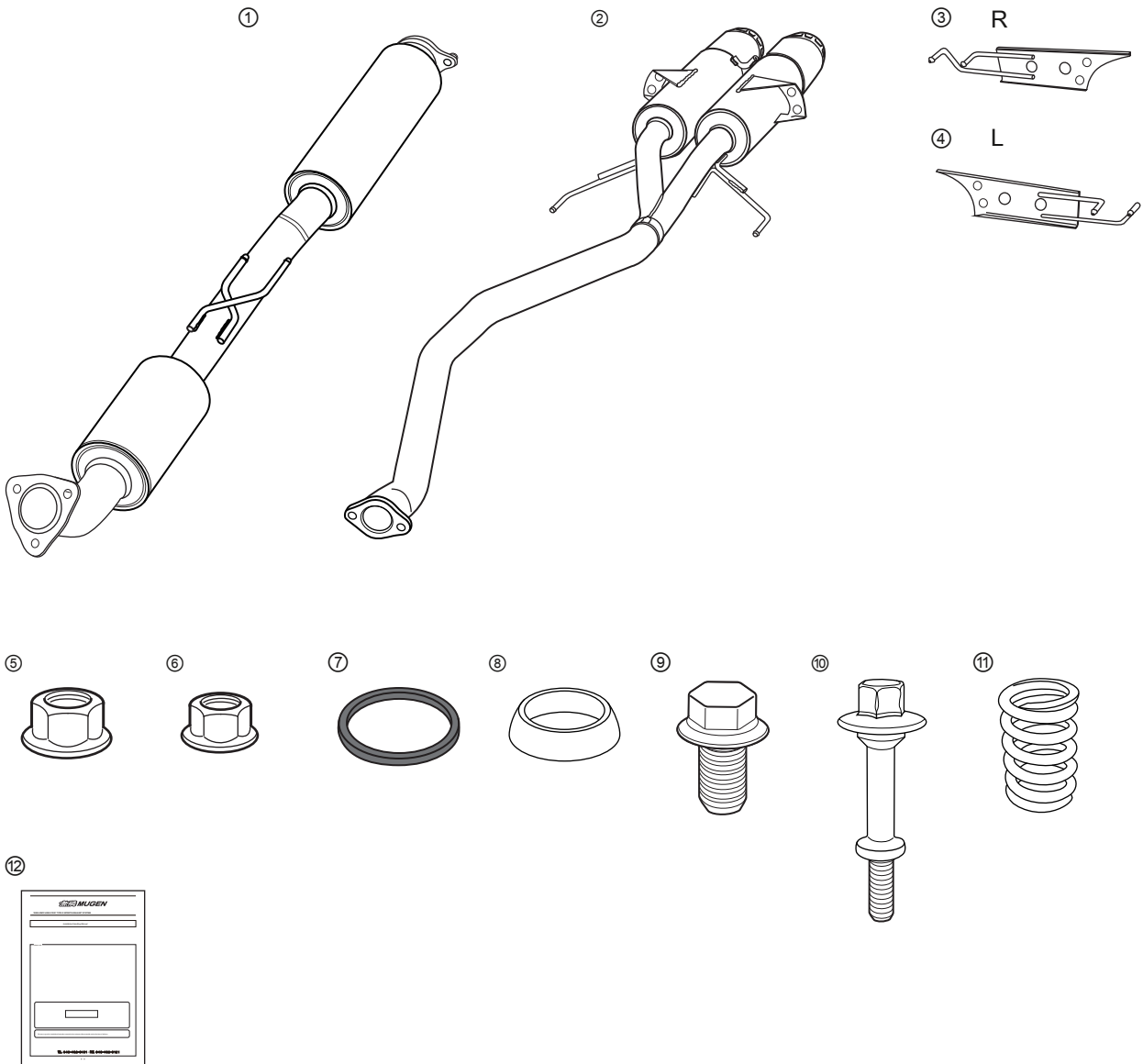
⑤ Self-locking nut M10 7 ③ Stay bracket (R) 1 ④ Stay bracket (L) 1

⑧ Spherical gasket 2

⑥ Self-locking nut M10 2 ⑦ Gasket exhaust pipe 1

⑪ Flexible joint spring 2

⑫ Installation and operation manual 1 ⑩ Flexible joint bolt 2



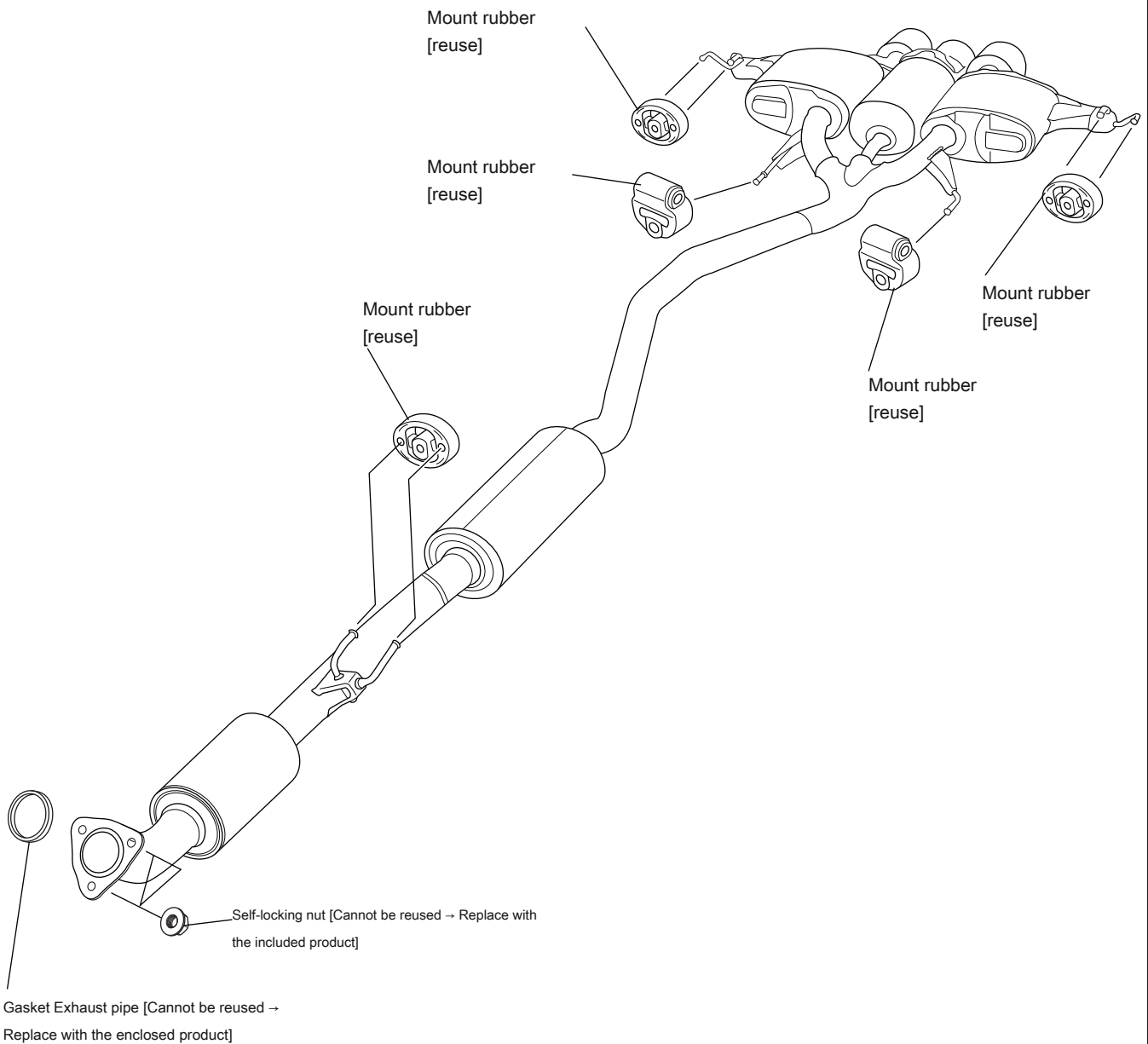
I. Preparation for installation

<<Caution>> · Be careful not to damage the silencer and vehicle body when working. · If the bolts and nuts are rusty and difficult to loosen, do not apply excessive force, and use spray type lubricating oil to loosen them easily before starting work.

· Because working with bare hands may cause burns or injuries, be sure to wear work gloves. · Work with other people holding the work.

① Remove the silencer according to the service manual.

Since the mount rubber removed at that time will be reused, be careful not to lose or damage it.



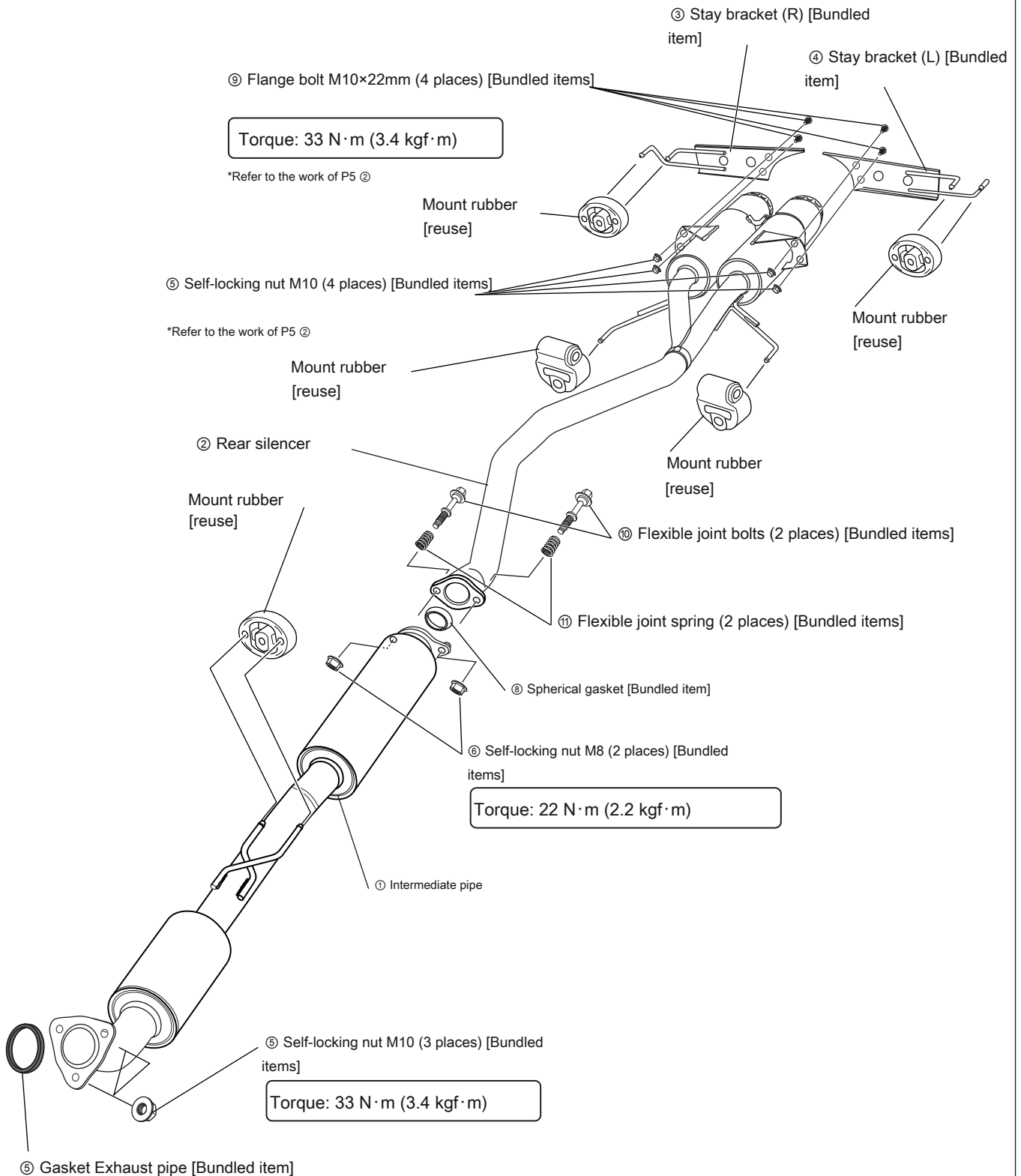
## II. Installation of MUGEN sports exhaust system

《Caution》 · Be careful not to damage the infinite sports exhaust system and the car body.

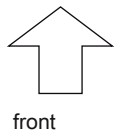
· Because working with bare hands may cause burns or injuries, be sure to wear work gloves. · Work with other people holding the work.

-If a lubricant is used to remove the mount rubber, remove the oil completely after the work and check that the mount rubber does not move.

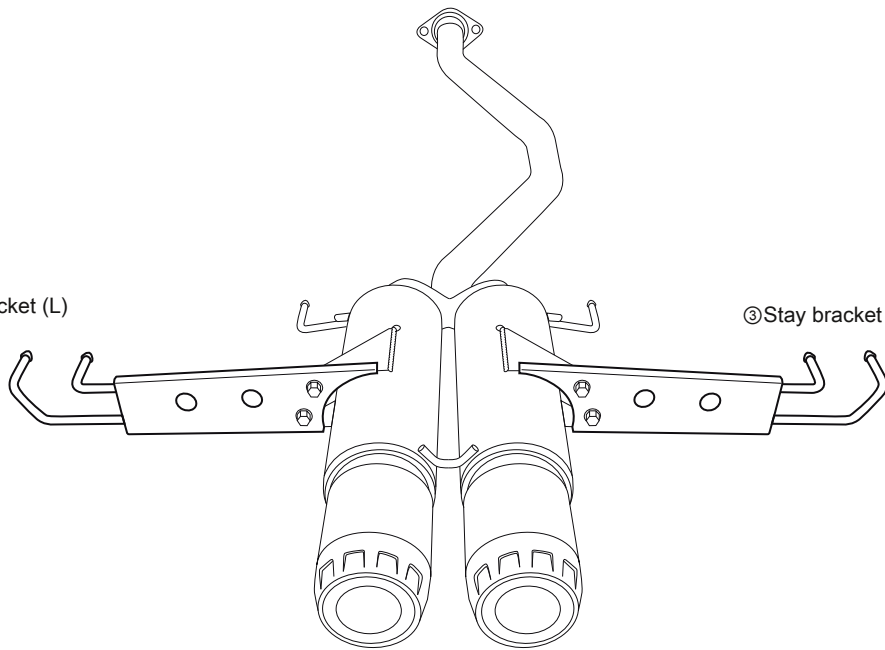
(1) Install the Mugen Sport Exhaust System in the reverse order of removal. Pay attention to the mounting direction of the mount rubber to be reused.



mounting direction of the stay bracket (L) (R).



④ Stay bracket (L)



③ Stay bracket (R)

② Adjust the clearance so that the bumper body and the finisher are parallel. (1) Pay attention to the

※P4 ④ Adjust the flange bolt M10×22mm (4 places) and ⑤ Self-locking nut M10 (4 places) at the tightening position.

Clearance between bottom edge of bumper and finisher (20mm)

