

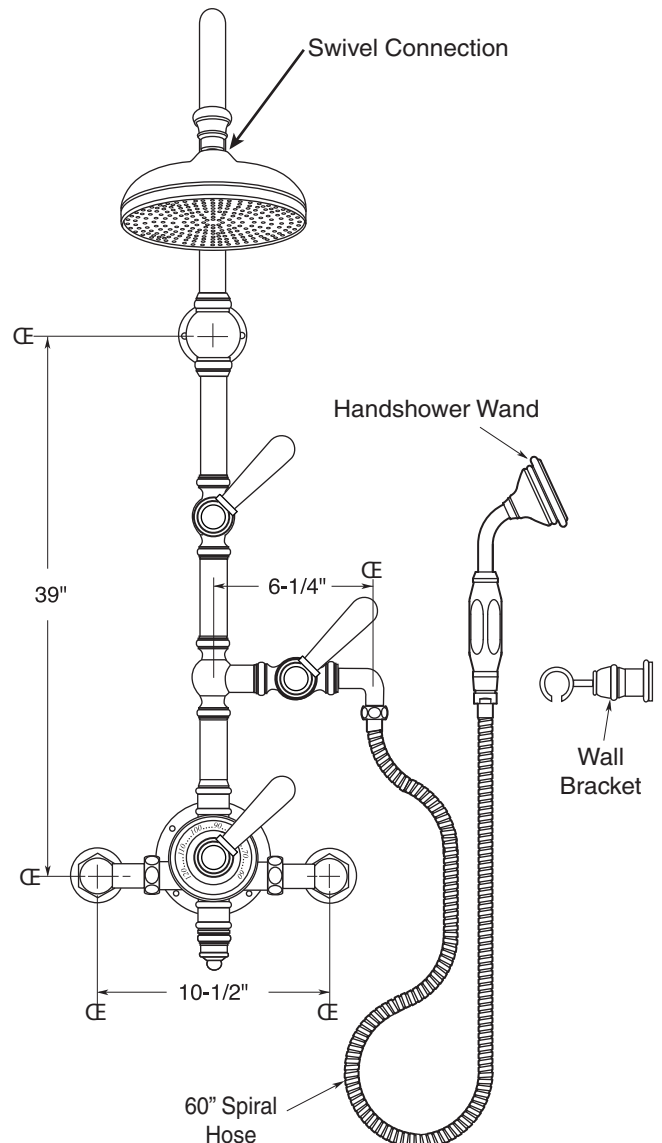
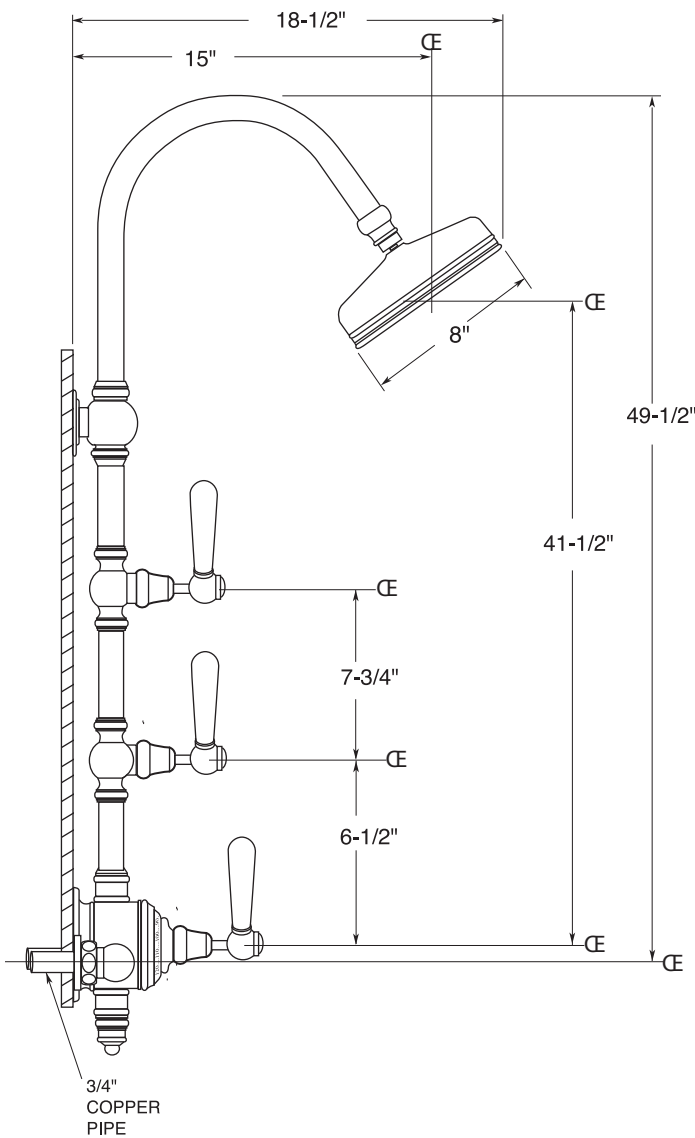
FEATURES:

- All brass construction.
- Ceramic dial assembly.
- Thermostatic valve cartridge P/N: 18.30.176
- Porcelain handshower wand P/N: 18.10.205
- 60" Spiral Hose supplied P/N: 18.10.016
- Available in all finishes. Warranty varies according to finish selection.
- Meets: ASME A112.18.1-2005/CSAB125.1-2005

- NOTE: Do not rough out without copper rough-in guide. Guide will be sent ahead upon request.

Exposed Thermostatic Shower Set  
with Handshower  
(484) Straight Lever

7.00484860



Note: Measurements are subject to change or cancellation. No responsibility is assumed for use of superseded or voided pages.