



SANITIZING STATION

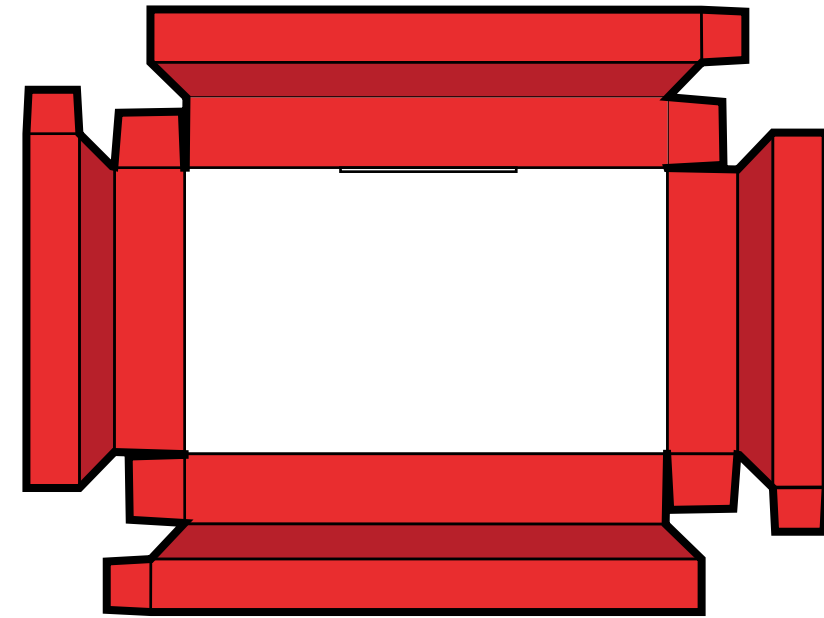
INSTRUCTIONS

LIST OF ITEMS

BASE UNIT



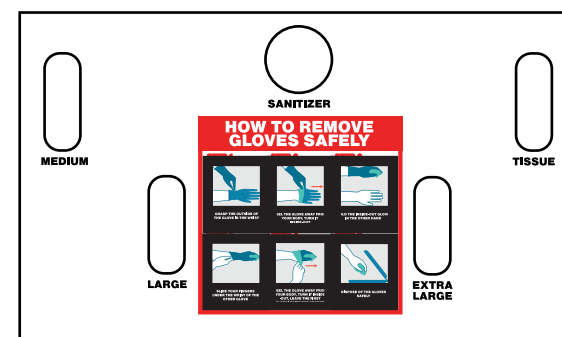
TOP SHELF



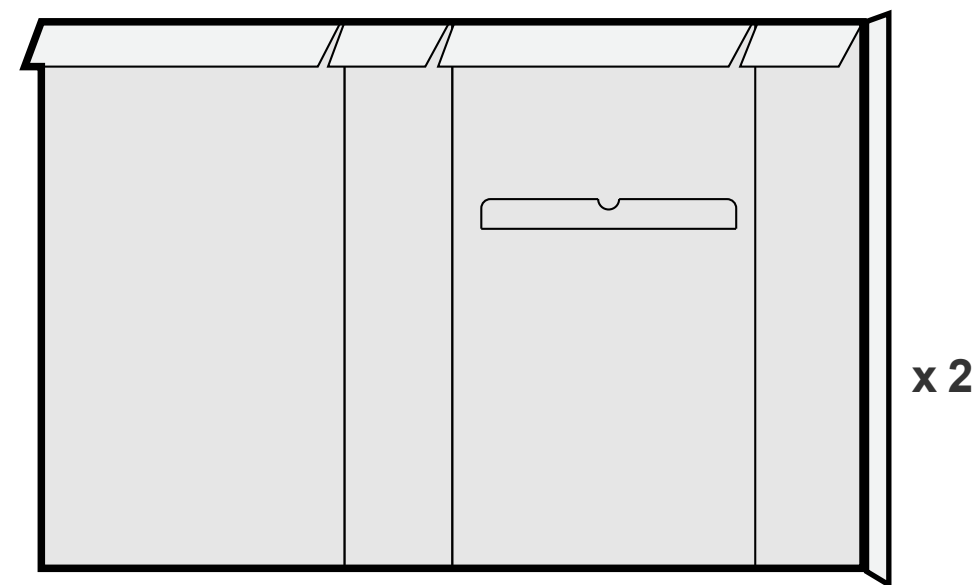
HEADER POSTER



TRAY INSERT

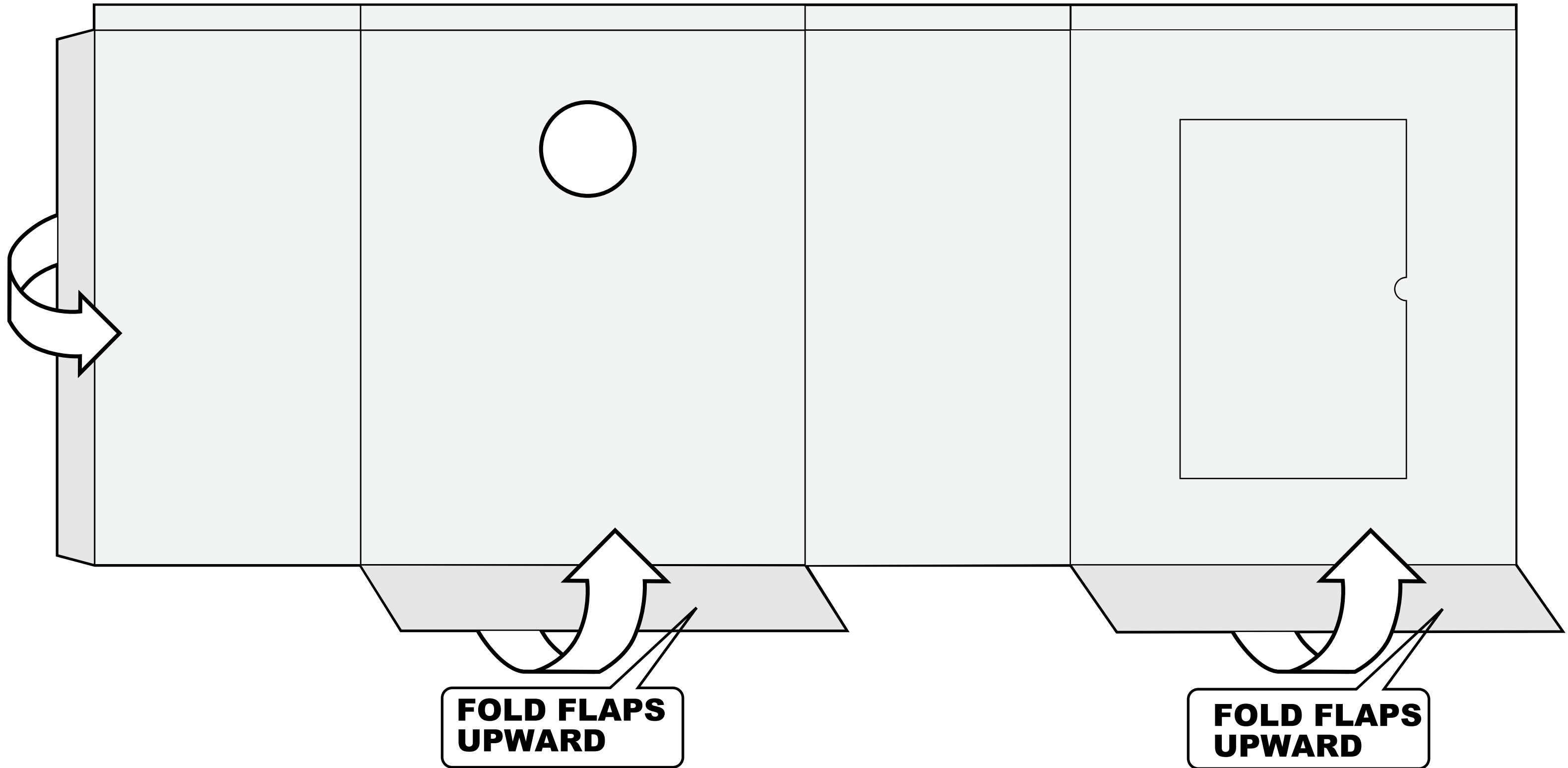


INSIDE BOX A & B



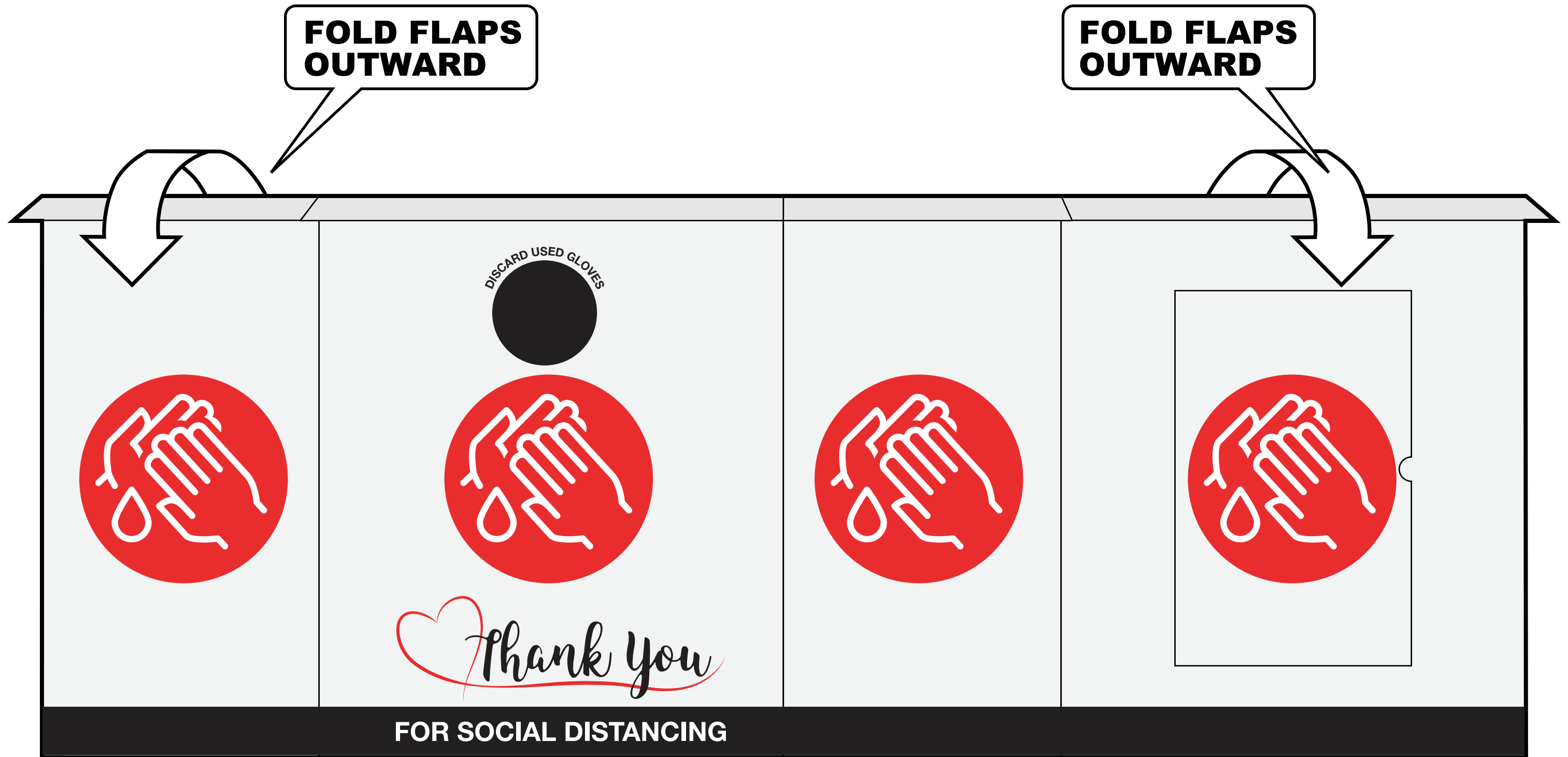
STEP 1:

BASE UNIT - PLACE ON TABLE WITH INTERIOR SIDE
FACING UP



STEP 2:

FLIP OVER AND FOLD FLAPS OUTWARD



STEP 3:

TAPE BASE UNIT TOGETHER



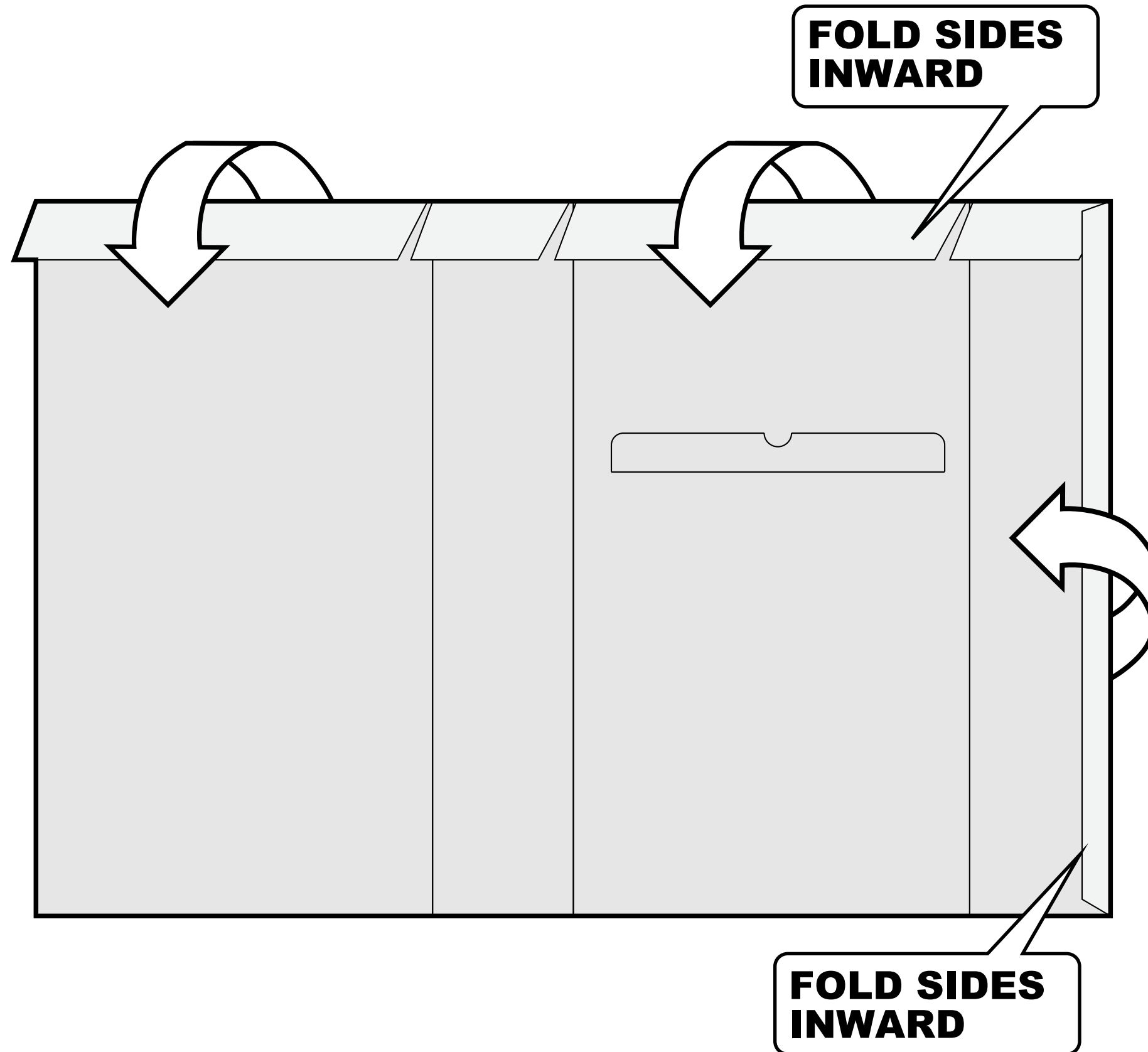
STEP 4:

FLIP BOX OVER



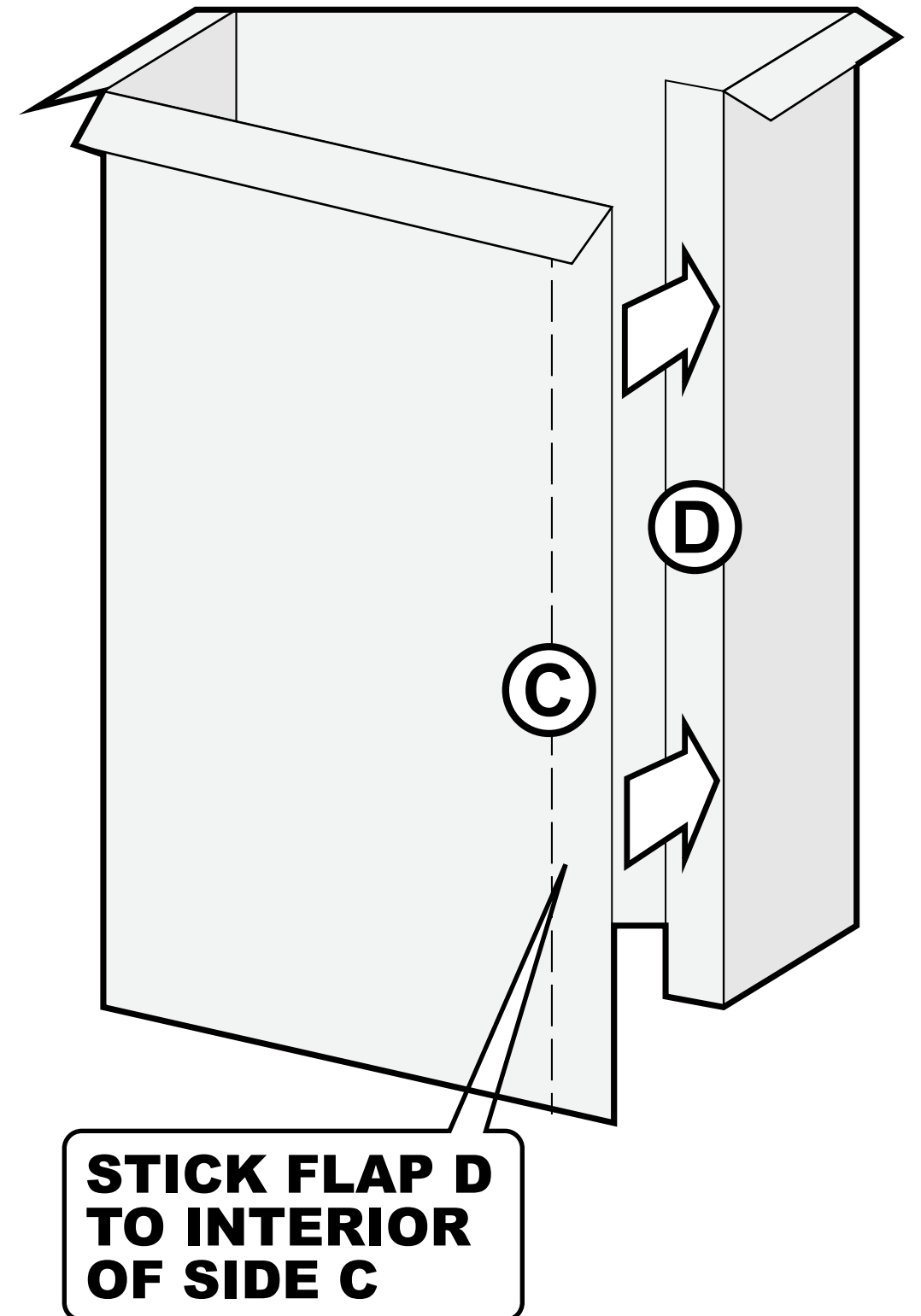
STEP 5:

INTERIOR BOX -
LAY UPWARDS



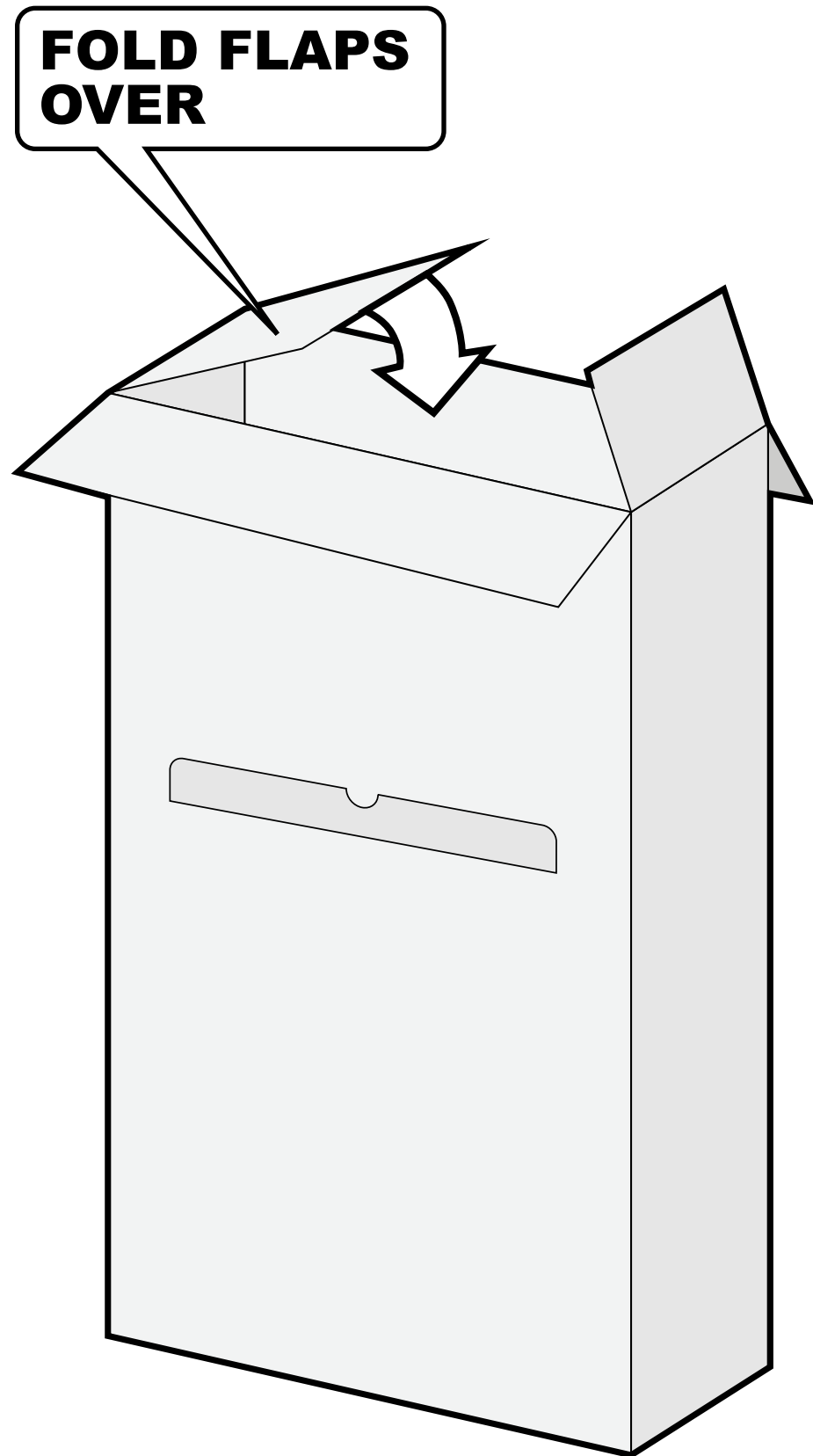
STEP 6:

FOLD
BOX



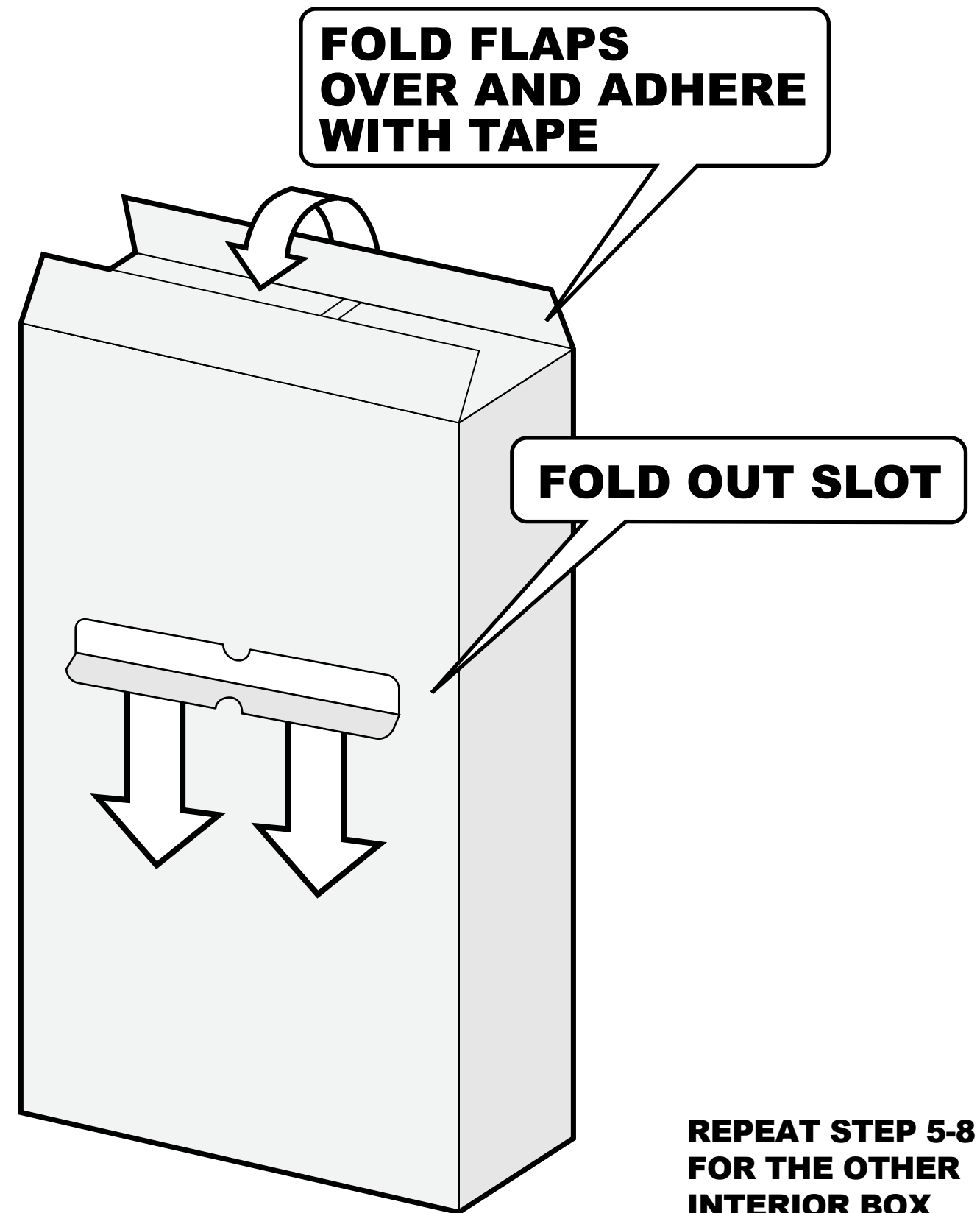
STEP 7:

FOLD INTERIOR
FLAPS OVER



STEP 8:

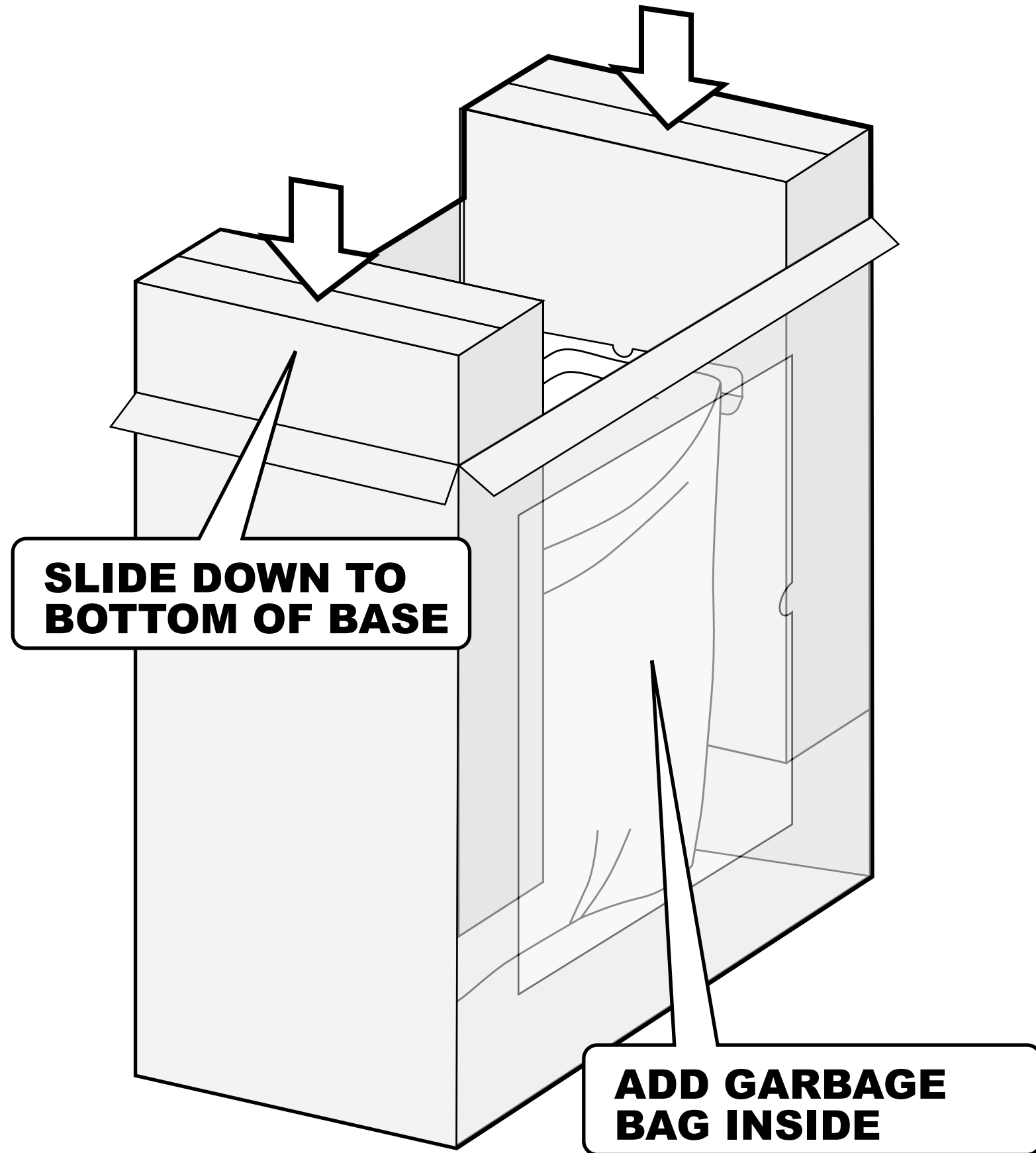
FOLD FLAP
OVER AND ADHERE



REPEAT STEP 5-8
FOR THE OTHER
INTERIOR BOX

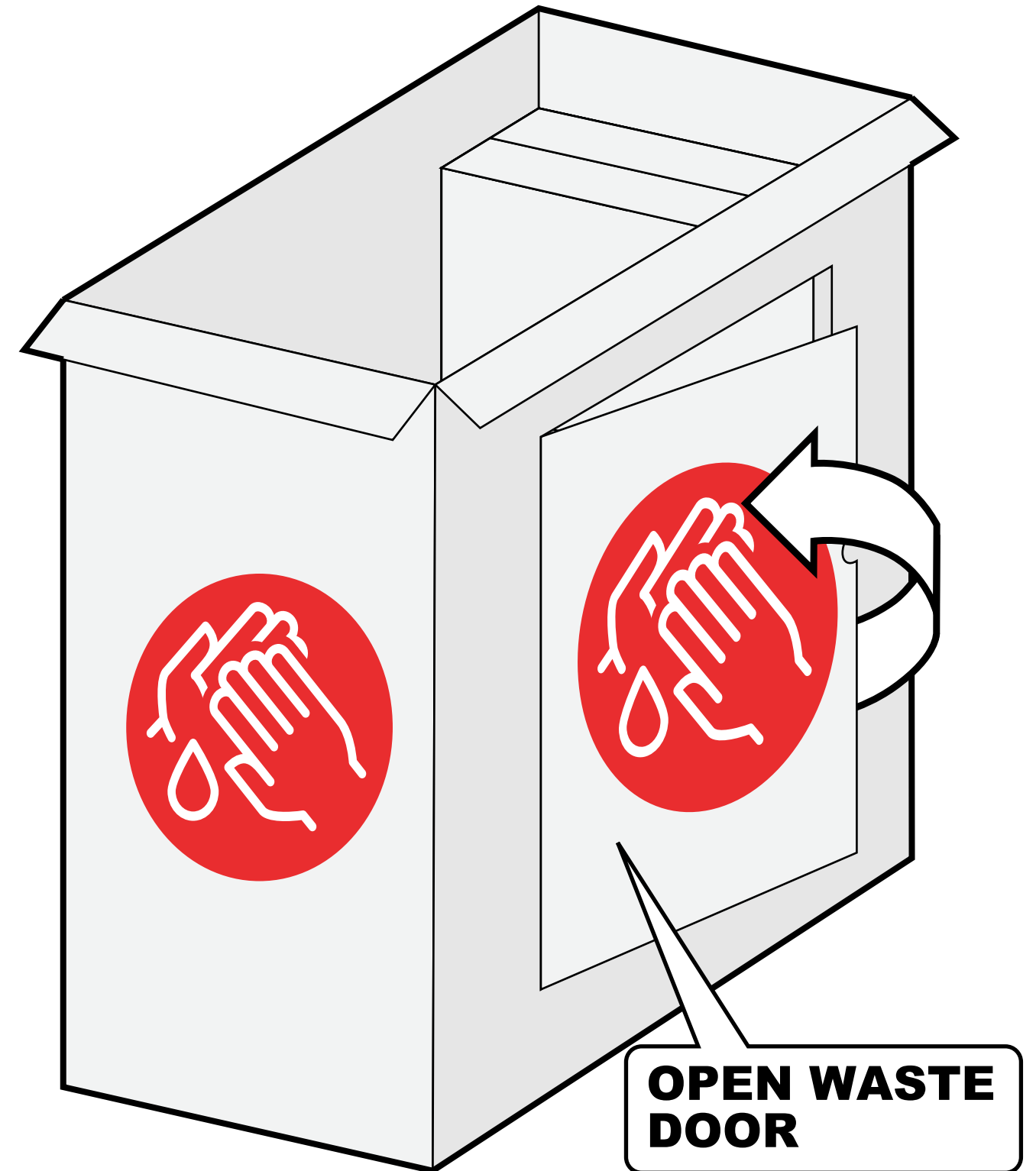
STEP 9:

SLIDE INTERIOR
BOXES INTO BASE



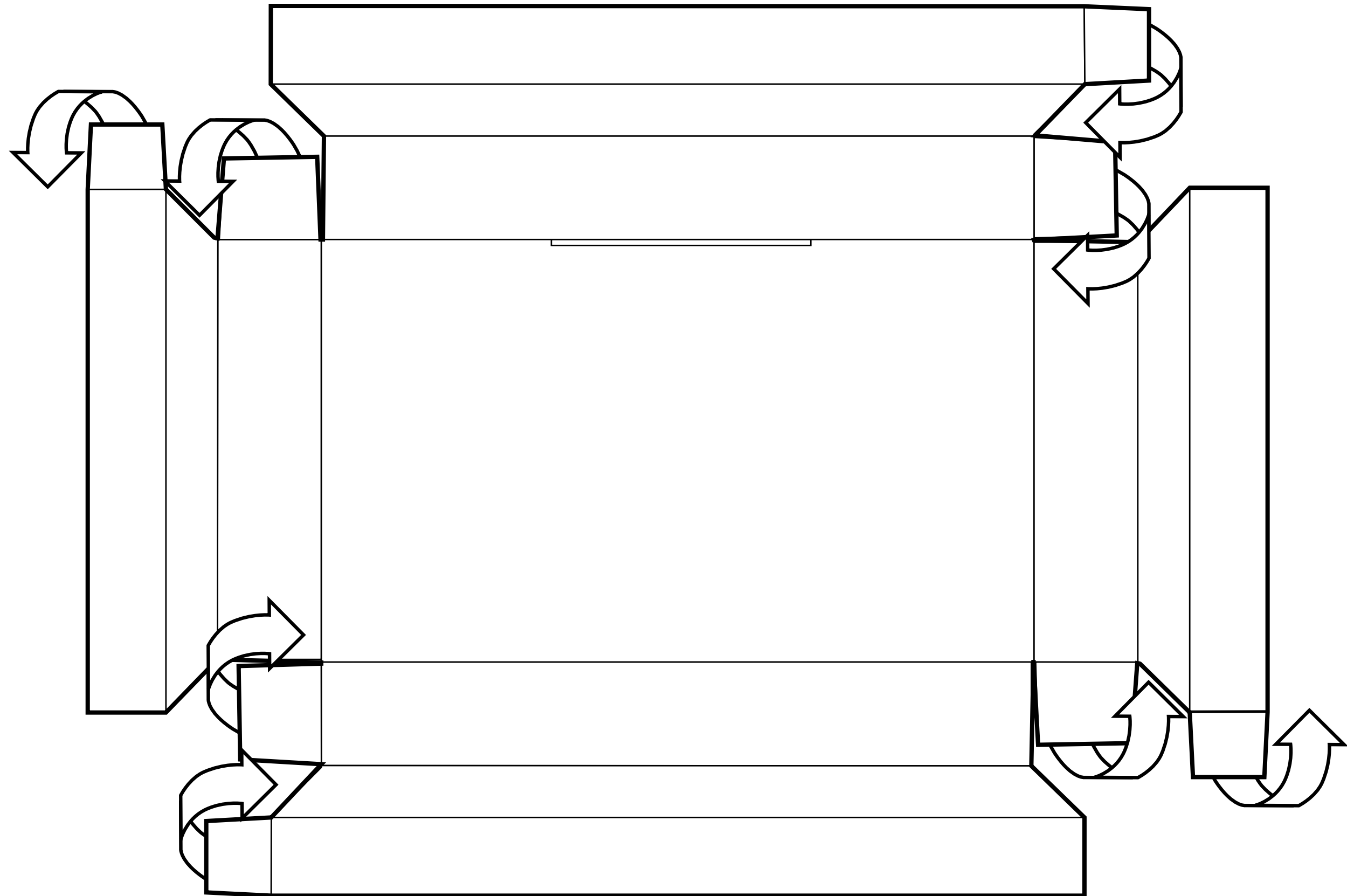
STEP 10:

POP DOOR OUT



STEP 11:

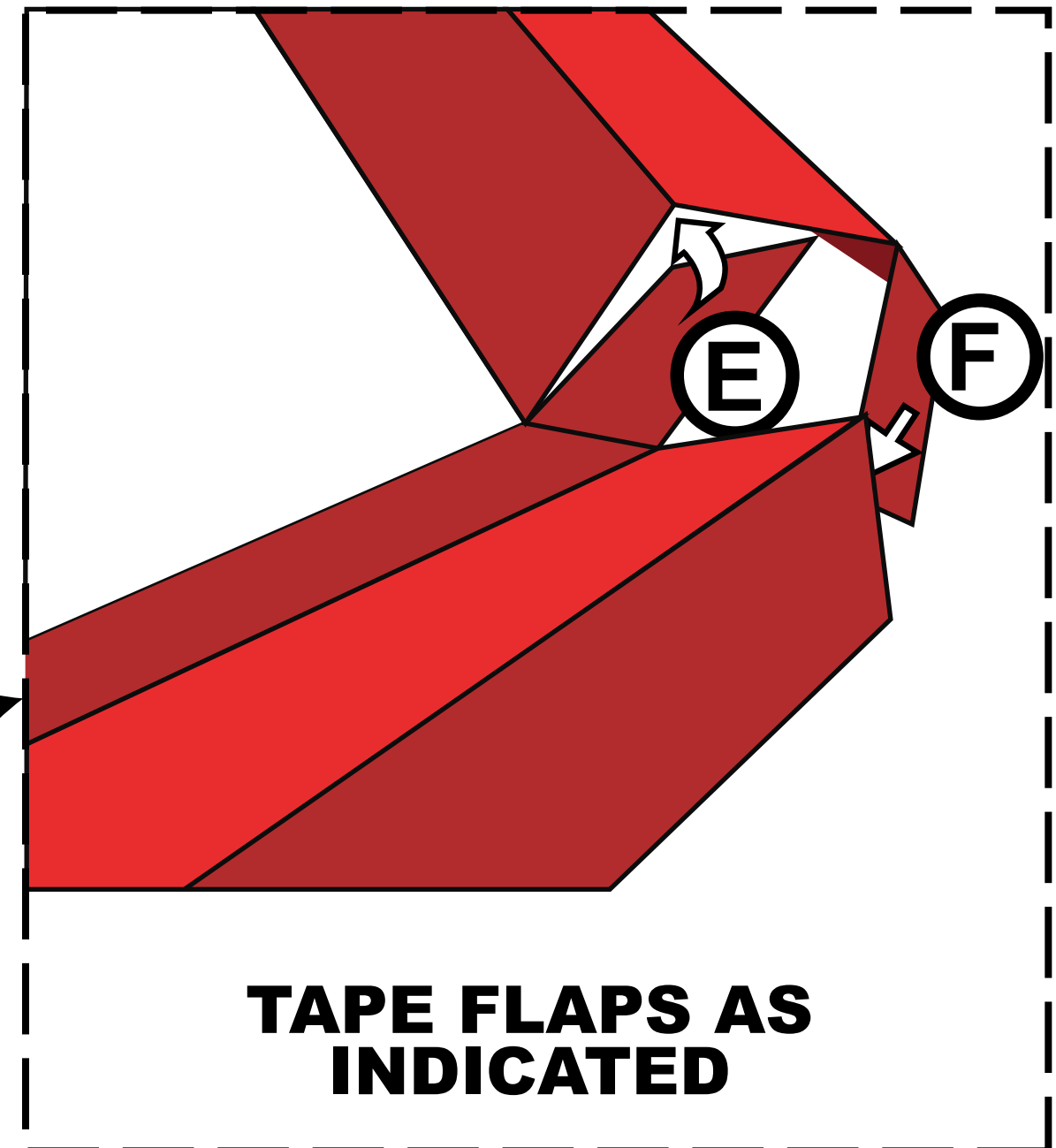
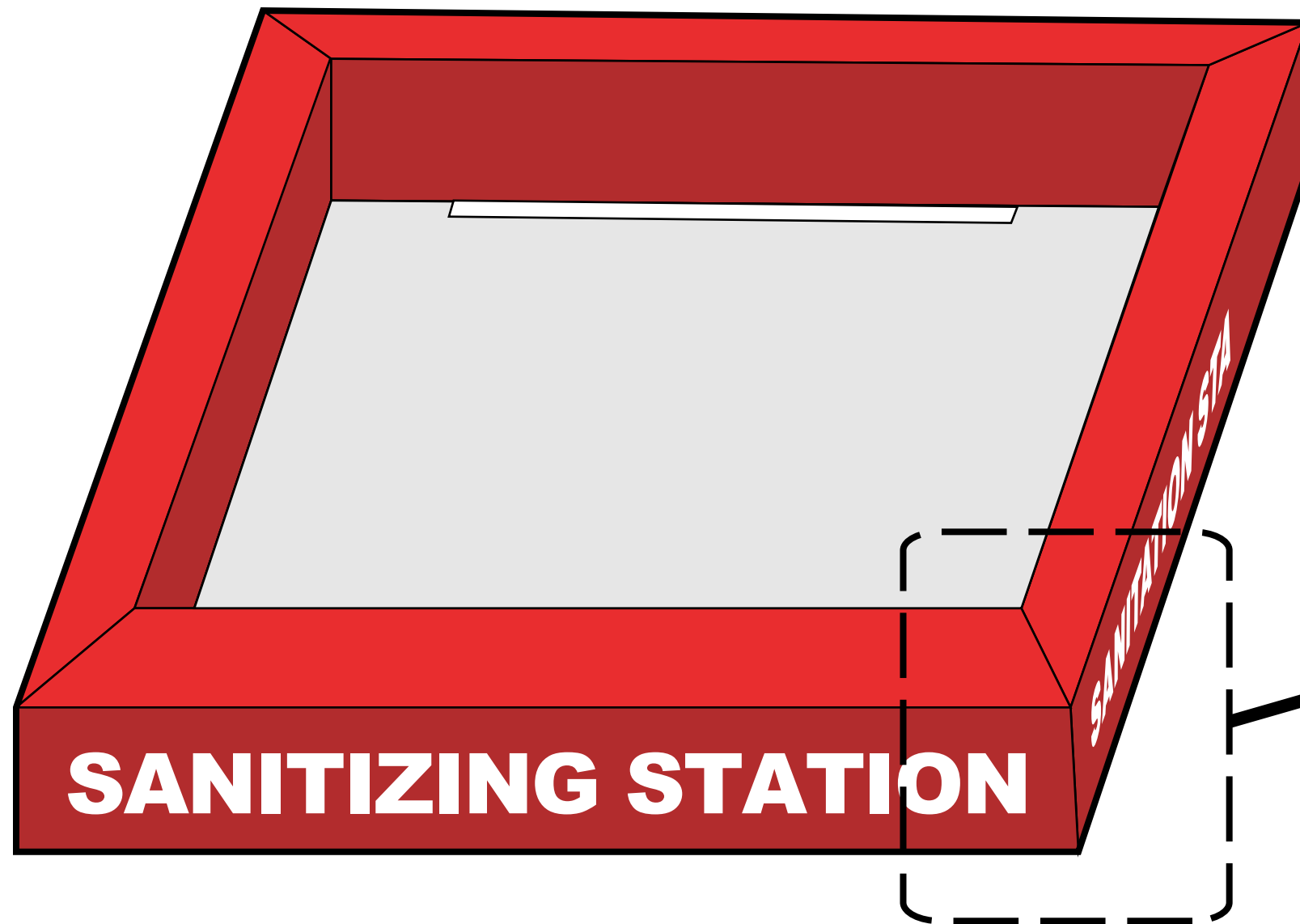
TOP SHELF - PLACE ON TABLE WITH
PRINTED SIDE FACING DOWN



STEP 12:

FLIP OVER AND TAPE TABS TOGETHER

ASSEMBLED SHELF



STEP 13:

PLACE HEADER INTO TOP



STEP 14:

PLACE TRAY INTO TOP SHELF

