



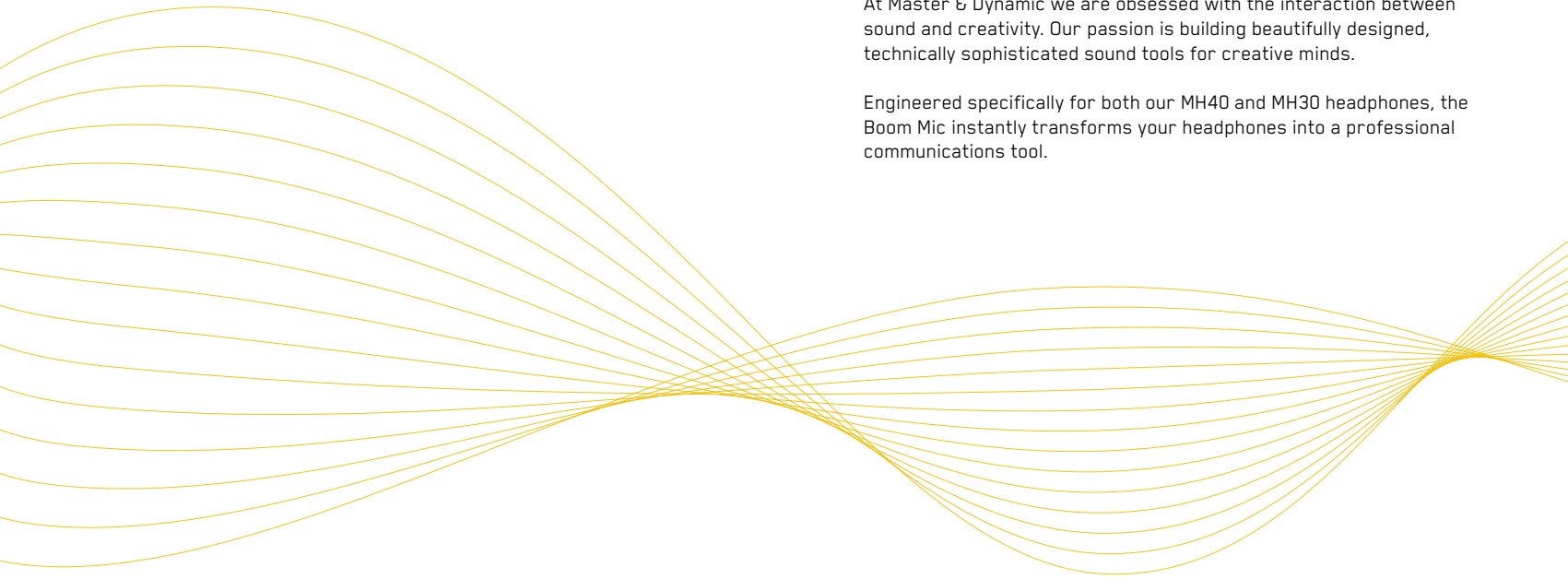
MASTER & DYNAMIC

USER MANUAL – MM800 BOOM MIC

SOUND TOOLS FOR CREATIVE MINDS

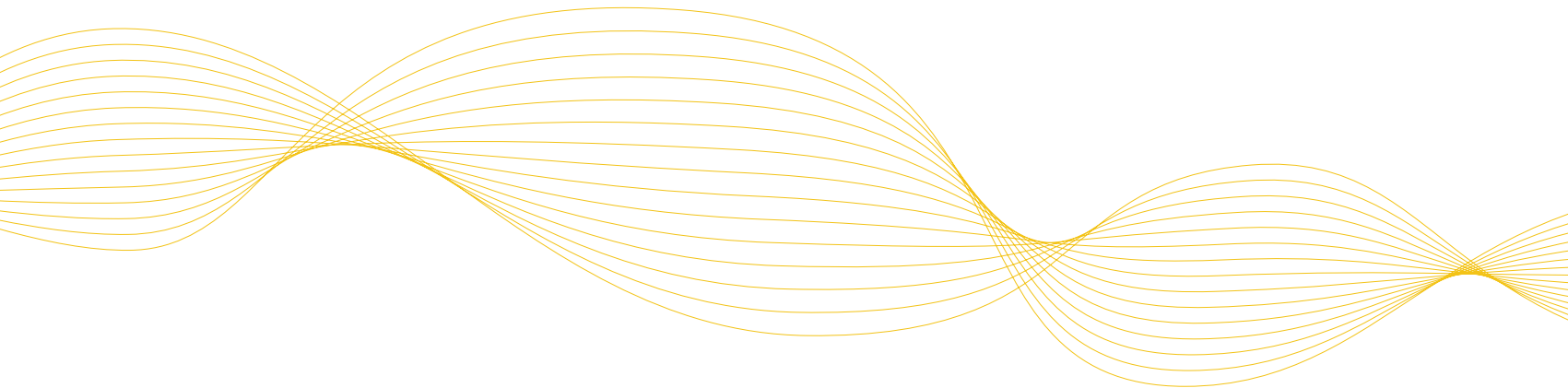
At Master & Dynamic we are obsessed with the interaction between sound and creativity. Our passion is building beautifully designed, technically sophisticated sound tools for creative minds.

Engineered specifically for both our MH40 and MH30 headphones, the Boom Mic instantly transforms your headphones into a professional communications tool.



DESIGNED FOR DAILY USE

We designed our Boom Mic to solve the challenge of communication in the modern open workspace. Housing a unidirectional microphone in an anodized aluminum body, the Boom Mic provides superior clarity. It isolates your voice from environmental noise, ensuring your thoughts and ideas are heard.



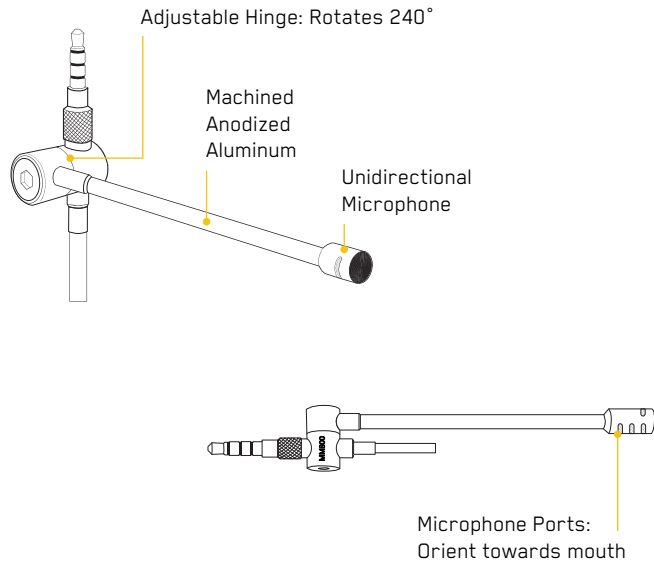
SPECS

DIMENSIONS

21mm x 12mm x 145mm

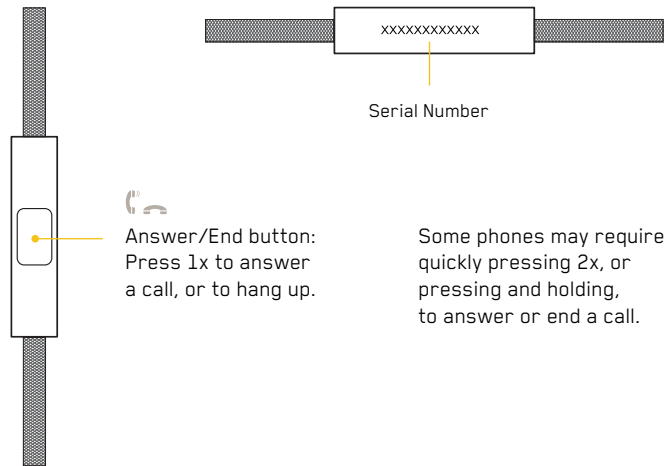
WEIGHT

25g



REMOTE

Remote for use with most smartphones, tablets, and computers with a standard 3.5mm headphone jack.



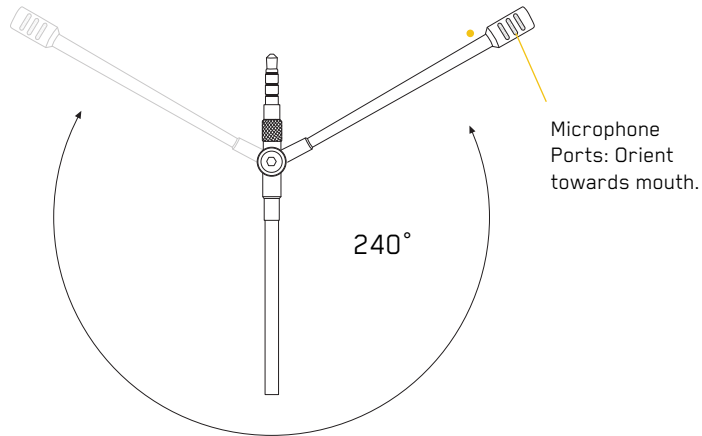
OPERATION

To operate the Boom Mic, remove existing cable from your MH40 or MH30 headphones and insert the Boom Mic into the right or left earcup jack and the 3.5mm plug into your device.

Adjust the Boom Mic up or down and left or right for optimal position and clarity. The closer the microphone is to your mouth, the greater the clarity.

Troubleshooting:

- If you can't hear the conversation or people can't hear you, check to ensure your plugs are fully inserted into the headphone and source device jacks.
- If you continue to have trouble, check to make sure cable has not been damaged or severed.
- Check to make sure you are speaking into the correct face of the microphone.



WARRANTY AND CUSTOMER SERVICE

Master & Dynamic guarantees this product against defects in materials or workmanship for a period of two years from the date of original purchase from an authorized Master & Dynamic retailer or reseller. Master & Dynamic will either repair or replace the defective product at our discretion if the product is returned within the warranty period.

This limited warranty is in lieu of all other warranties, expressed or implied, including, but not limited to, any implied warranty of merchantability or fitness for a particular purpose.

Master & Dynamic shall have no liability of any kind for any direct, indirect, incidental or consequential damages or expenses that arise from the use of this product. Master & Dynamic does not cover normal wear and tear, cut cords, bent jacks, loss or theft. You will void this warranty if you disassemble your Boom Mic or expose it to excessive moisture.

If you believe this product is defective within the warranty period, contact us via our support page at www.masterdynamic.com/support. Once your warranty is verified, you will be issued a return authorization and instructions for return shipment. Proof of purchase may be required. Products with unreadable or removed serial numbers will not be covered.

For questions regarding your product's warranty, contact Master & Dynamic Support at support@masterdynamic.com.

Designed and Developed by New Audio LLC
New York, NY 10001. Made in China.

© Copyright 2014 New Audio LLC. All rights reserved. Master & Dynamic,
the Stylized M logo and Sound Tools for Creative Minds are trademarks
of New Audio LLC. Patents Pending.