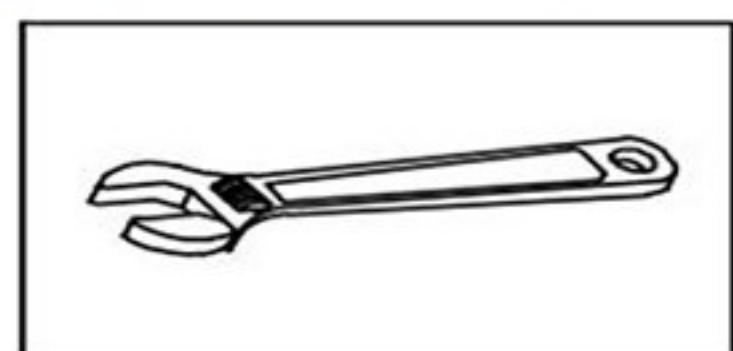
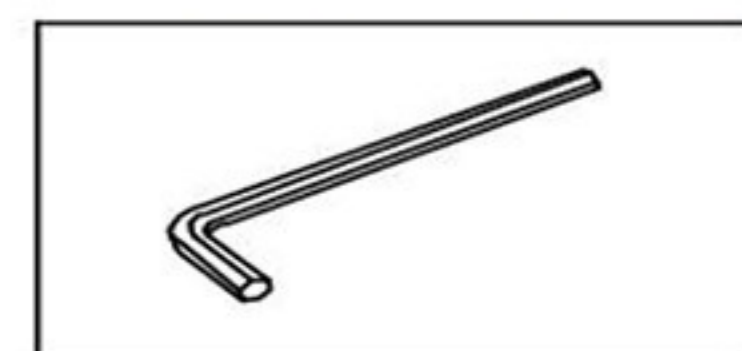


Single-Hole Basin Short Faucet Installation

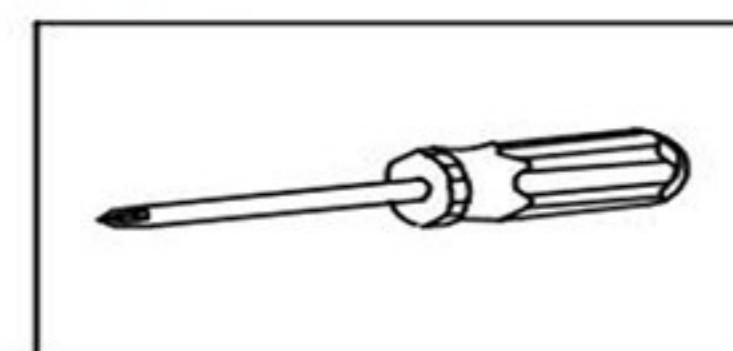
INSTALLATION MANUAL Tools You Will Need:



Adjustable Wrench



Hexagon wrench



Philips Screwdriver

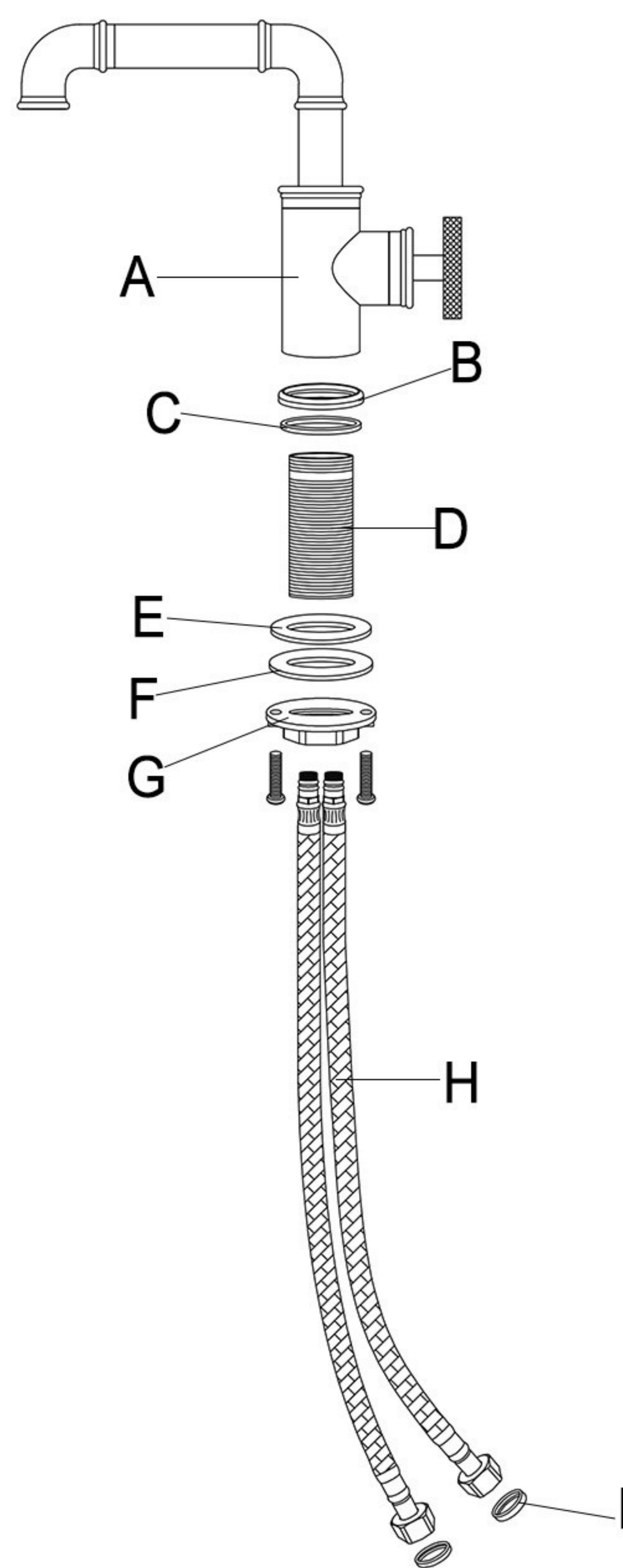
Before the Installation

1. Check the package and confirm all parts are included. If any part is missing or damaged, please contact us.
2. Do not disassemble the main body, as it has been installed & commissioned correctly & precisely before leaving the factory.
3. Shut off the main water supply prior to beginning installation.
4. Do flush the water supply lines to remove any dirt and debris before installation (**IMPORTANT**).
5. Make sure to connect the hot/cold inlet pipe correctly. If standing in front, connect hot water pipe to the left and cold water pipe to the right.
6. After the installation, check for leaks and make sure every joint is safely sealed.

Cleaning and Maintenance

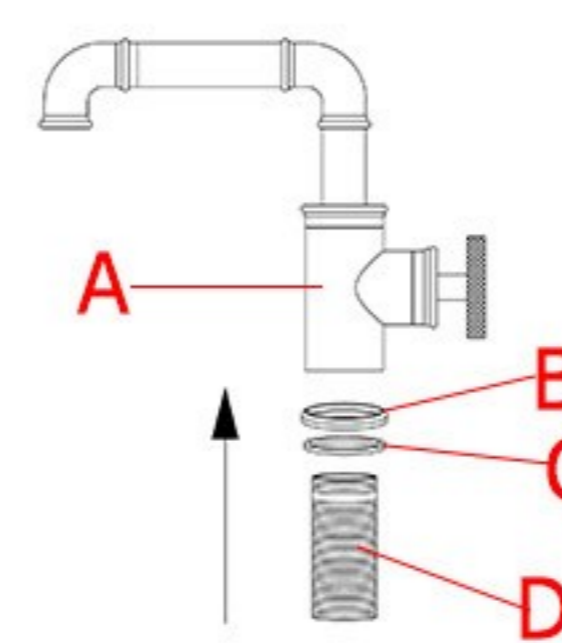
1. Rinse with clean water and dry with a soft cloth.
2. Do not use any detergent, acid, polisher, abrasives, or harsh cleaners.
3. Do not use cloth with a coarse surface.

Parts List

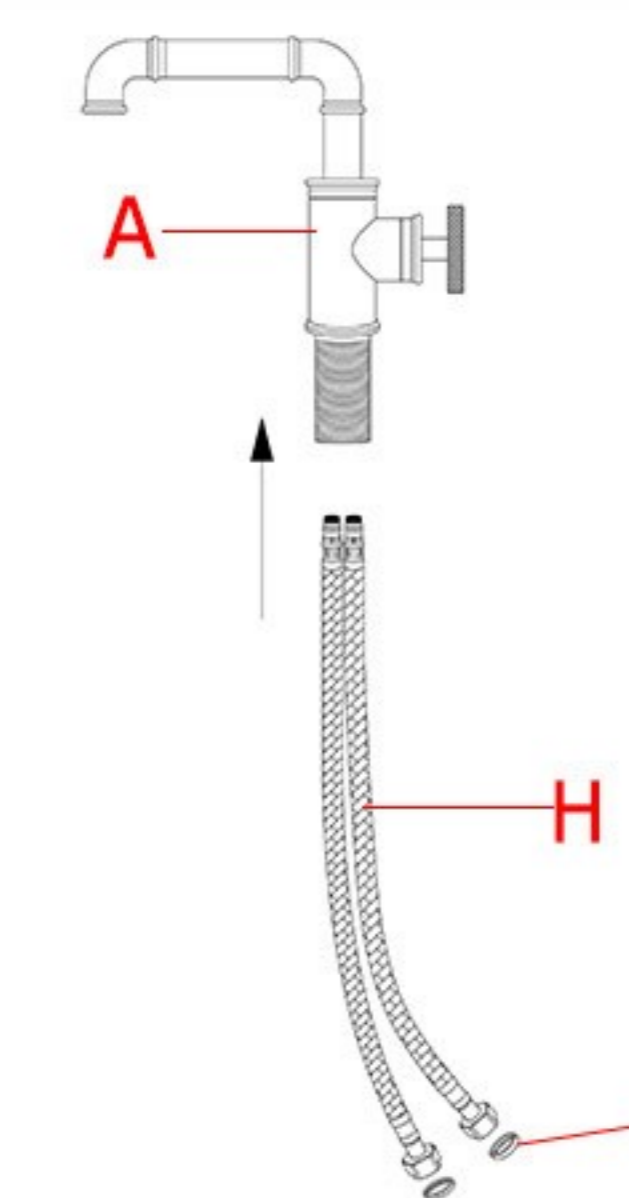


Part	Name	Quantity
A	faucet body	1
B	base	1
C	O-ring	1
D	threaded pipe	1
E	rubber washer	1
F	metal washer	1
G	mounting nut	1
H	cold/hot waterline	2
I	spacer	2

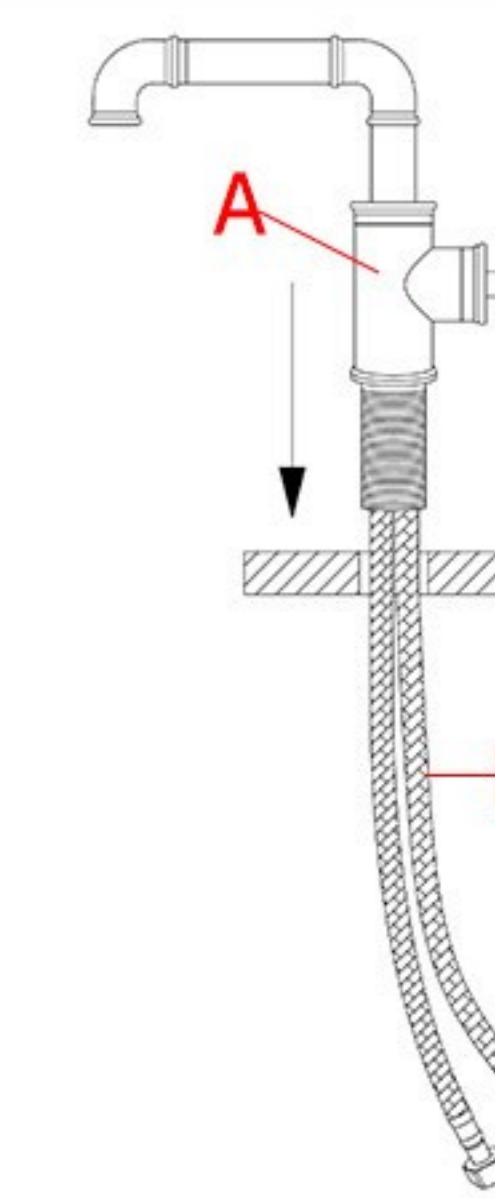
Installation Guide



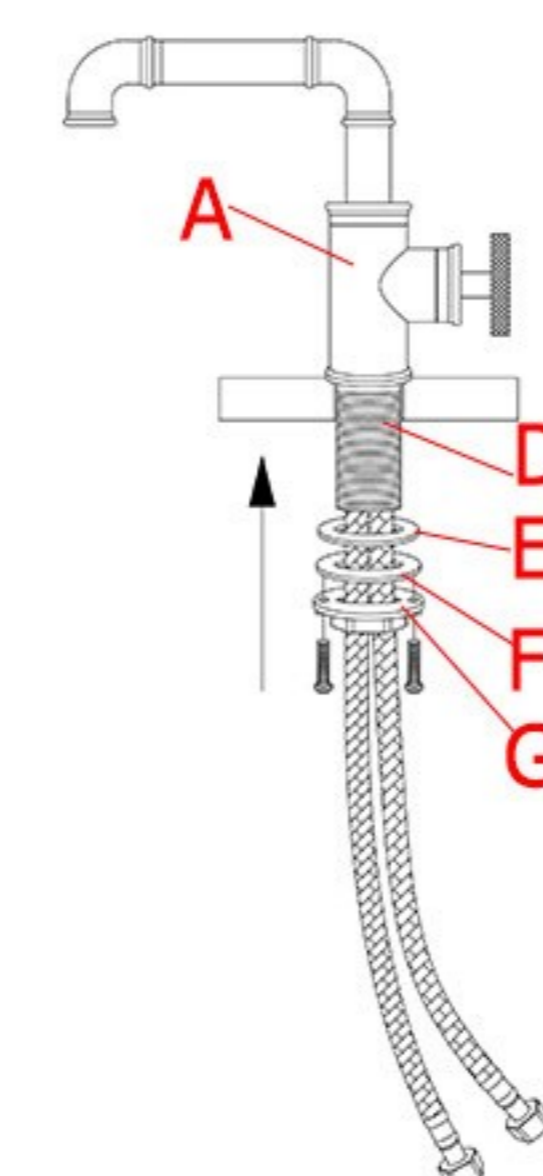
1. Flush your water pipes to discharge the debris inside the pipes. Shut the water off. Remove the rubber washer, metal washer and mounting nut from the threaded pipe. Fit the base (B) to the faucet body. Fit the O-ring (C) to the base. Screw up the threaded pipe (D) into the bottom of the faucet body (A).



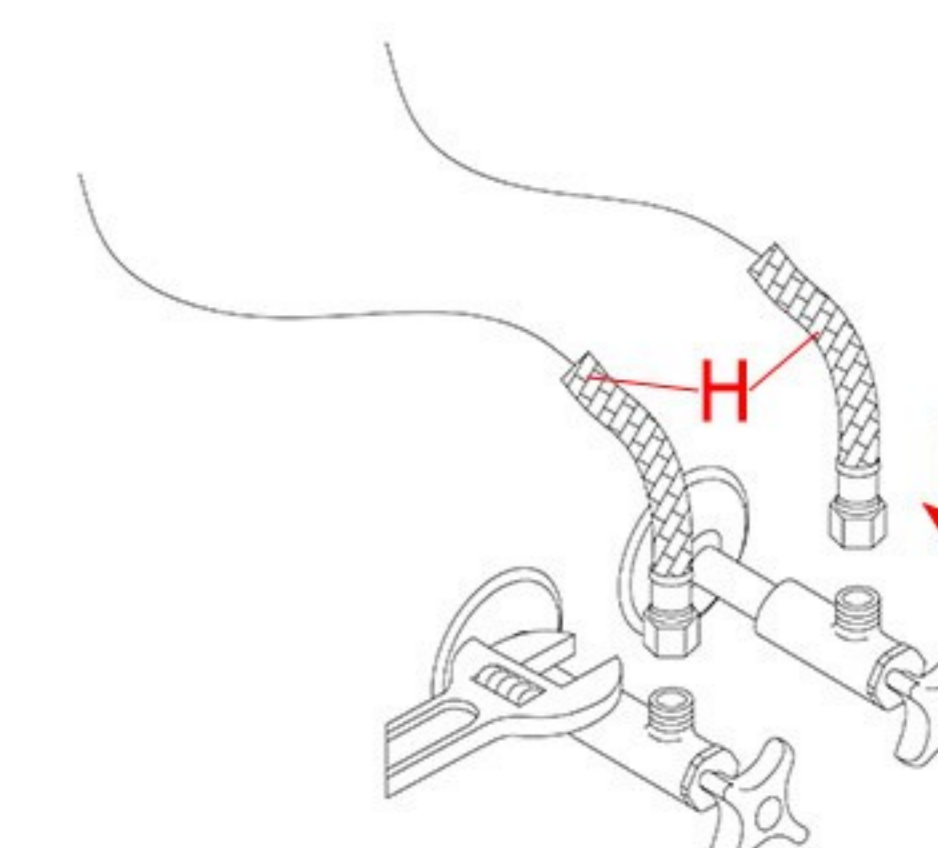
2. Screw up the cold and hot waterlines (H) to the corresponding screw holes under the bottom of the faucet body (A). Insert the spacers (I) into the ends of the waterlines.



3. Insert the faucet body (A) and the waterlines (H) into the hole on the countertop.



4. Secure back the rubber washer (E), metal washer (F) and mounting nut (G) onto the threaded pipe (D). Adjust the position of the faucet body (A) to make sure it level and straight. Tighten the screws to fix the faucet body.



5. Connect the cold and hot waterlines (H) to the angle stops. Turn on the angle stops and check for leaks. (Don't turn on the faucet). Then, turn faucet on for 1 minute to flush the debris.

Troubleshooting

Problem	Possible Cause	Corrective Action
Water does not shut off completely.	1. O-ring is not seated correctly or worn. 2. Cartridge may be defective.	1. Reseat or replace O-ring. 2. Replace cartridge.
Leaks at waterline connection.	1. Worn or broken washer. 2. Faucet body may be defective.	1. Replace washer. 2. Replace faucet (contact us for the replacement).
Leaks from handle.	1. Cartridge may come loose. 2. Cartridge may be defective.	1. Reseat cartridge tight. 2. Replace cartridge.
Leaks at hose connection.	1. Hose connection is loose.	1. Tighten hose. 2. Replace hose.
Leaks at shower valve connection.	1. Connection may come loose or not sealed completely. 2. Defective shower valve inlet or outlet connector.	1. Check connections. 2. Replace valve body.
Diverter knob does not work.	1. Diverter cartridge may be defective.	1. Replace cartridge.
LED light does not Light or noisy LED showerhead.	1. Defective LED generator.	1. Replace LED spray head (for kitchen faucet). 2. Replace LED threaded pipe (for separate faucet spout). 3. Replace LED generator (for others).
Low flow.	1. Check for water pressure problems. 2. Aerator may be dirty or clogged.	1. Clean or replace the aerator. 2. Remove waterflow restrictor if available. 3. Install booster or pump (if applicable).