

## Poppi Bench

### Designed By

Jonathan Biet & Sophie Biet

### Crafted

By the So Watt manufacturing team at 3 Shirlow Street  
Marrickville, Sydney, NSW 2204, Australia



---

## Product Specifications

### Materials

- 18mm Birch Plywood
- 9mm OSB
- Low VOC Natural Water Based Finish

### Construction

CNC cut Birch plywood, sanded, detailed and then assembled together, ready to be finished with Low VOC Natural Water Based Finish.

### Warranty

At So Watt our products are made to stand the test of time, however we offer a 1 year commercial warranty.

### Lead Time

This product has a lead time of 4-5 weeks.



**Customizable  
Colour options**



**100% Australian  
Made**

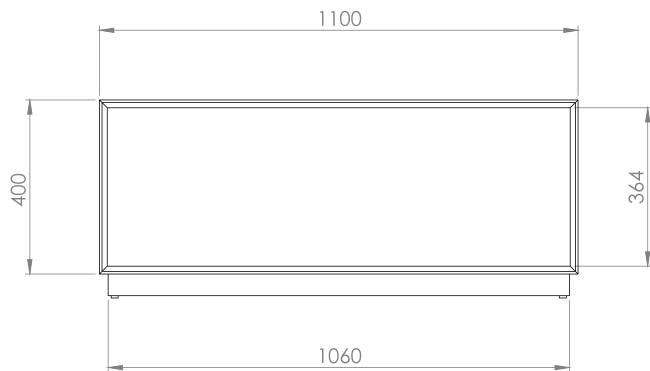


**Made to be  
sustainable at all  
stages of it's life.**

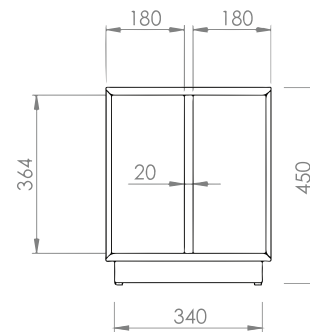
## Poppi Bench

1100 W x 380 D x 450 H

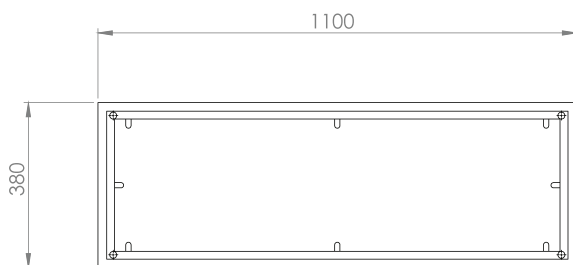
Front View



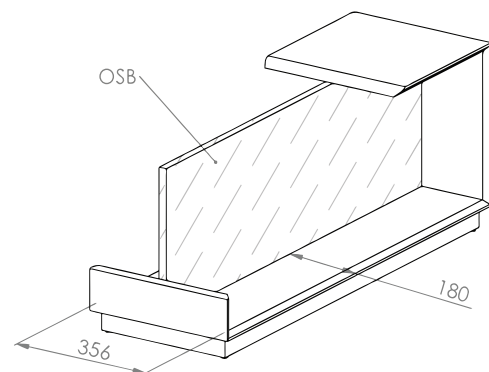
Right Side View



Bottom View



Isometric View



## Poppi Bench Materials & Finishes

---

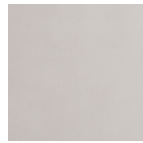
### Hoop Pine Ply



(Default Material)



Clear (WX01)



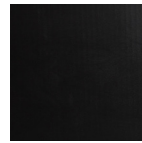
White (SP03)



Light Grey (SP08)



Dark Grey (SP09)



Black (SP02)



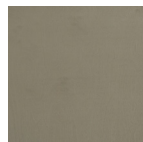
Crimson (SP10)



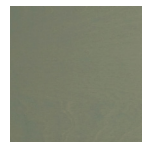
Blush (SP06)



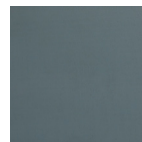
Mustard (SP12)



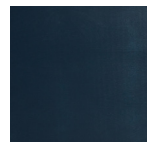
Olive (SP11)



Avocado (SP05)



Sage (SP04)



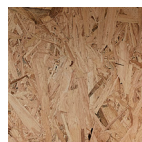
Navy Blue (SP07)



Cognac (WX03)

---

### OSB



Clear (SP01)



White (SP03)



Light Grey (SP08)



Dark Grey (SP09)



Black (SP02)



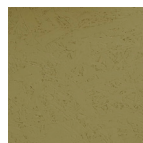
Crimson (SP10)



Blush (SP06)



Mustard (SP12)



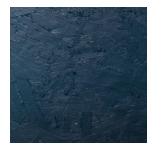
Olive (SP11)



Avocado (SP05)



Sage (SP04)



Navy Blue (SP07)