

Billi Stool

Designed By

Jonathan Biet & Sophie Biet

Crafted

By the So Watt manufacturing team at 3 Shirlow Street
Marrickville, Sydney, NSW 2204, Australia



Product Specifications

Materials

- 18mm Australian Hoop Pine
- Low VOC Natural Water Based Finish

Construction

CNC cut Hoop Pine, cross-lap joined to create the base of the billi stool, which is then counter sunk into the round top. Finished in a water base colour, which it then spray sealed with a Low VOC Natural Water Based Finish.

Warranty

At So Watt our products are made to stand the test of time, however we offer a 3 year commercial warranty.

Lead Time

This product has a lead time of 4-5 weeks.



This is a non
customisable So
Watt design



Made from
100% Australian
materials

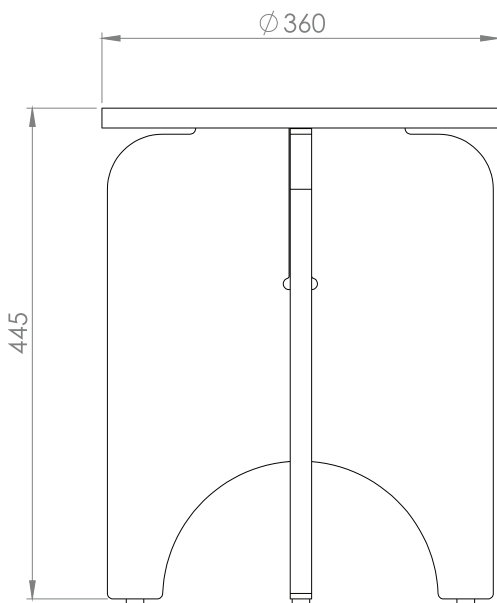


Made to be
sustainable at all
stages of it's life.

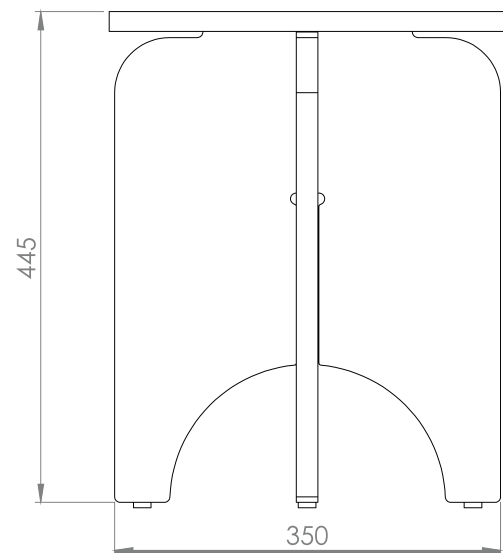
Billi Stool

360 W x 360 D x 450 H

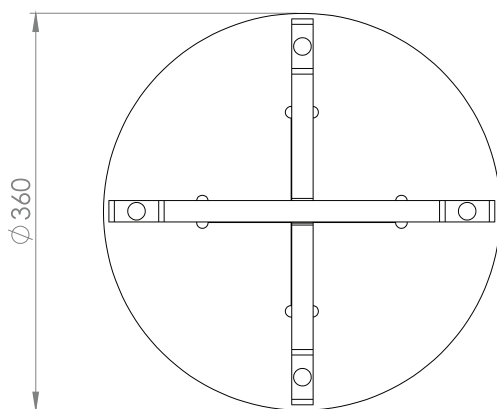
Front View



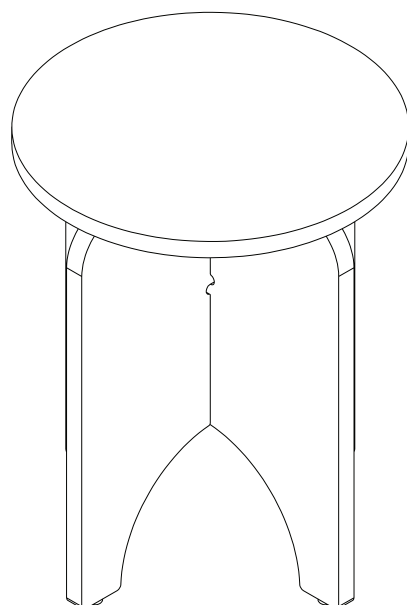
Right Side View



Bottom View



Isometric View



Billi Stool Materials & Finishes

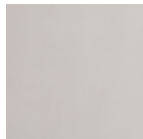
Hoop Pine Ply



(Default Material)



Clear (SP01)



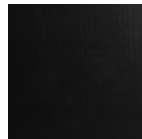
White (SP03)



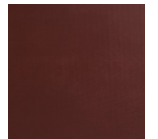
Light Grey (SP08)



Dark Grey (SP09)



Black (SP02)



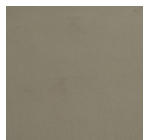
Crimson (SP10)



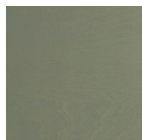
Blush (SP06)



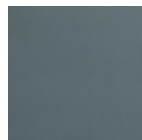
Mustard (SP12)



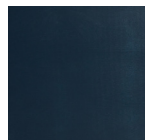
Olive (SP11)



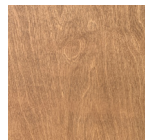
Avocado (SP05)



Sage (SP04)



Navy Blue (SP07)



Cognac (WX03)