

# SO WATT

## Rover Team Table

DESIGN MFG

Designed + Made by So Watt in Australia.

Rover is an award-winning team table designed to work hard alongside you as you create, live and play.

The desktop is made with high grade Birch Plywood and faced in premium, antibacterial, finger-print proof, ultra matt laminate from Fenix NTM.

The Birch Plywood under structure comprises of only 6 pieces which are easily assembled with the use of a single Allen key.

- 24mm Birch plywood laminated with Fenix NTM.
- The quick access cable tray empowers you to plug and play faster.
- The surface is self-healing using heat and spills wipe straight off.
- The Birch Plywood under structure comprises of only 6 pieces which are easily assembled with the use of a single Allen key.
- Multiple exit points for cables from the Rover cable tray allow for a cable sock or umbilical to be installed anywhere from the underside of the desk down to a floor box.
- Shop more options online at [sowatt.com.au](http://sowatt.com.au)

6 Week Lead Time



5 Year Commercial Warranty



Award Winning



Fast and Easy Assembly



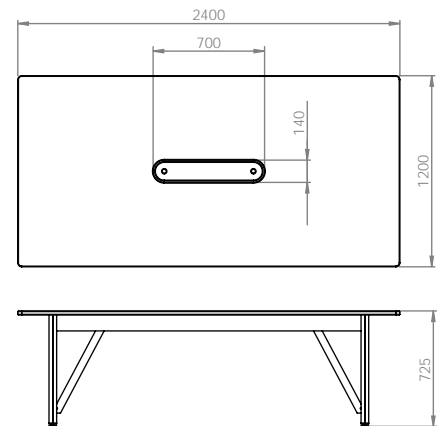
## Single Team Table - Seated

2400mm long  
1200mm wide  
720mm - 735mm high

Cable Cutout  
700mm long  
140mm wide

Cable Tray  
900mm long  
500mm wide  
100mm deep

Adjustable feet.  
2x GPO mount plates  
Power & Data not included.



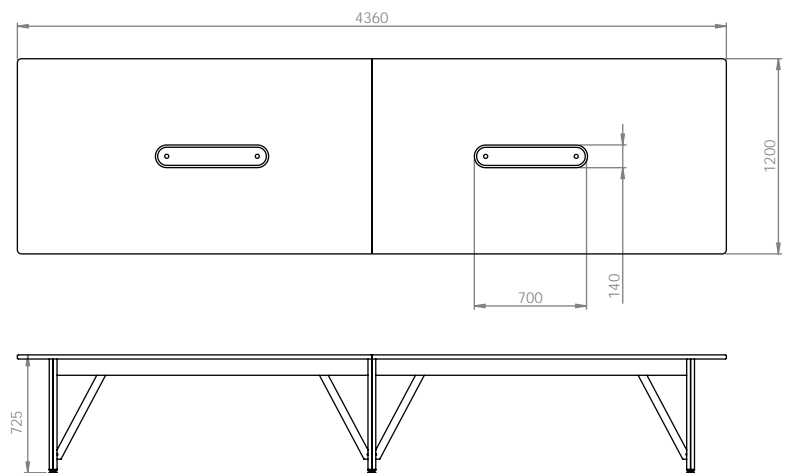
## Double Team Table - Seated

4360mm long  
1200mm wide  
720mm - 735mm high

Cable Cutouts x2  
700mm long  
140mm wide

Cable Tray x2  
900mm long  
500mm wide  
100mm deep

Adjustable feet.  
4x GPO mount plates  
Power & Data not included.



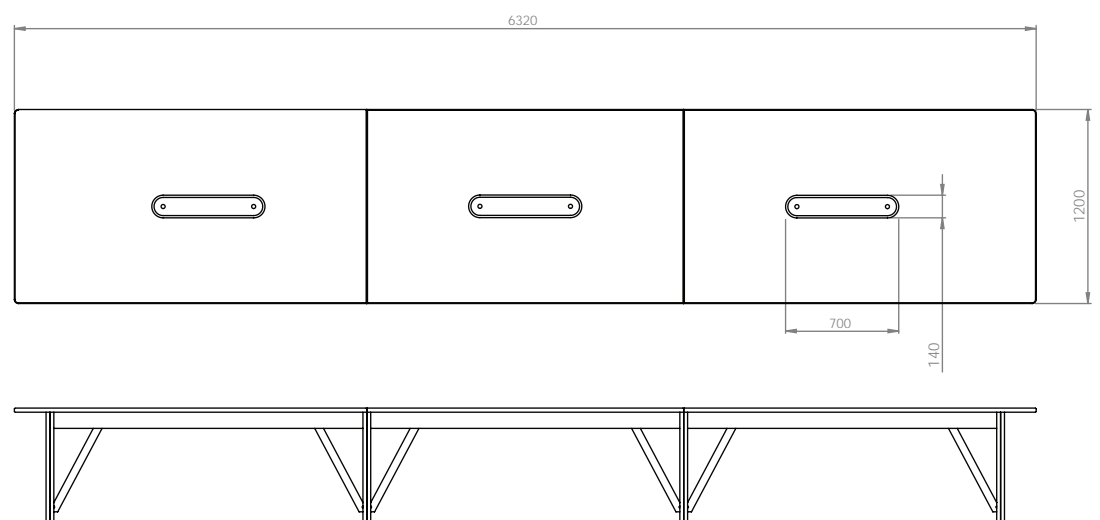
## Triple Team Table - Seated

6370mm long  
1200mm wide  
720mm - 735mm high

Cable Cutouts x3  
700mm long  
140mm wide

Cable Tray x3  
900mm long  
500mm wide  
100mm deep

Adjustable feet.  
6x GPO mount plates  
Power & Data not included.



Birch Plywood Base  
 45mm thick B/BB Birch Plywood  
 Finished in low VOC water-based clear

Powdercoated Steel Cable Tray  
 Laser cut and folded mild steel  
 Powdercoated in satin white



Birch Plywood Top  
 24mm thick B/BB Birch Plywood substrate  
 Edges finished in low VOC water-based clear

Fenix NTM Worksurface  
 Ultra matt and anti-fingerprint surface with thermal healing properties. Award winning laminate developed by Arpa Industries in Italy.



**Custom Design**  
 Our pieces are hand made to order.  
 Custom sizes and finishes are available.  
 Phone or email the team for custom requests.  
[info@sowatt.com.au](mailto:info@sowatt.com.au)  
 (02) 8960 5756



**International Orders**  
 International Shipping is available on request. Please contact the team for a quote.



We encourage re-use and recycling of our pieces. New components are available to extend the life of your So Watt piece and we accept returns for conscious disposal and donation.