



Designed + Made by So Watt

The Hugo Ottoman base is made with 115 individual lengths of Tasmanian Oak dowel lovingly hand finished with Low VOC water-based durable Natural finish.

The dowel fringe hugs the base of the ottoman via a specially designed inner structure, giving the dowels a floating appearance.

Available in one or two tone fabrics.
Refer to the So Watt House Finishes for available fabrics.

- Commercial grade foam with a soft cushioning layer
- upholstered in 100% wool fabric from Kvadrat Maharam
- Detailed twin needle stitching
- Our pieces are hand made to order. Custom sizes are available.
- Shop more options online at sowatt.com.au

4-5 Week Lead Time



2 Year Commercial Warranty



SO WATT

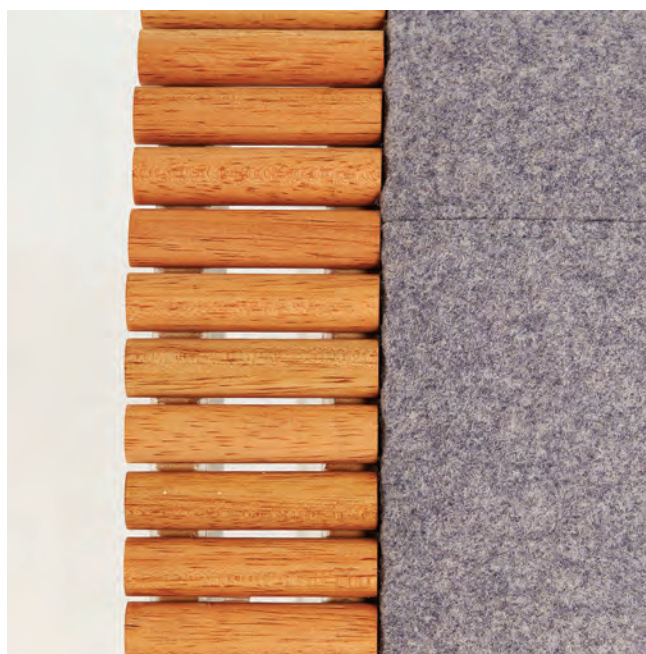
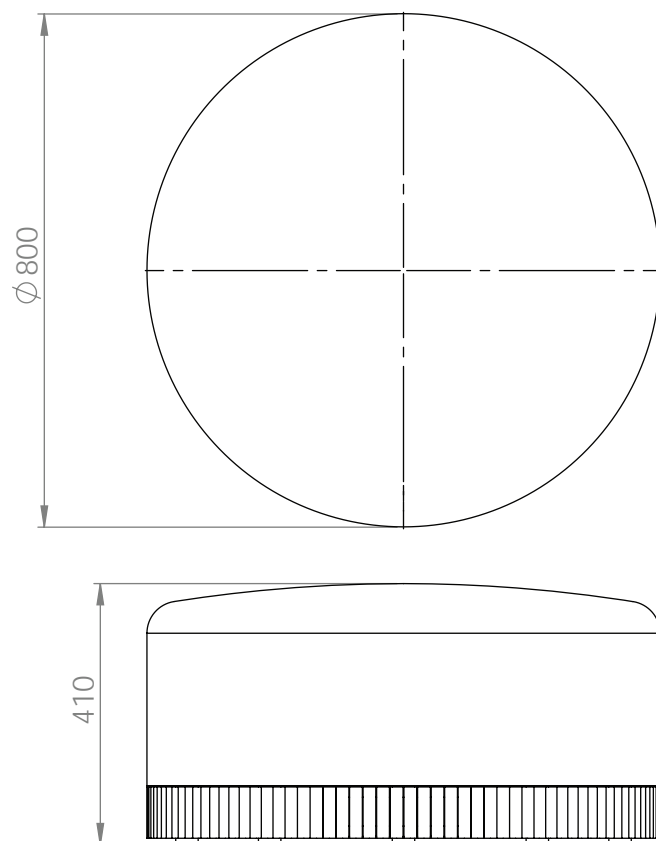
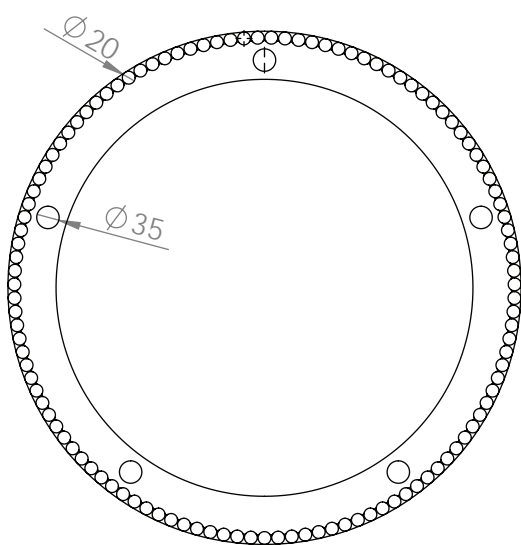
Hugo Ottoman

Dimensions:
800mm diameter x 420mm high.

Shown here in #733 Light Grey to top and sides.

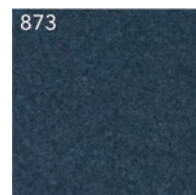
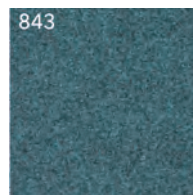
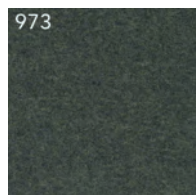
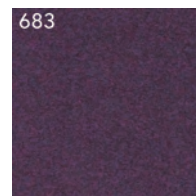
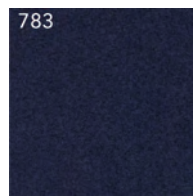
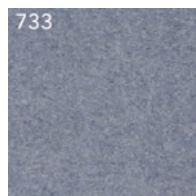
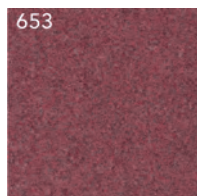
Upholstered in Kvadrat Maharam Divina MD.

3mm dimension tolerance



Upholstered in Kvadrat Maharam Divina MD.

Available in two tone



Custom Design
Our pieces are hand made to order.
Custom sizes and finishes are available.
Phone or email the team for custom requests.
info@sowatt.com.au
(02) 8960 5756



International Orders
International Shipping is available on request. Please contact the team for a quote.



We encourage re-use and recycling of our Pieces. New components are available to extend the life of your So Watt piece and we accept returns for conscious disposal and donation.